



Husqvarna®

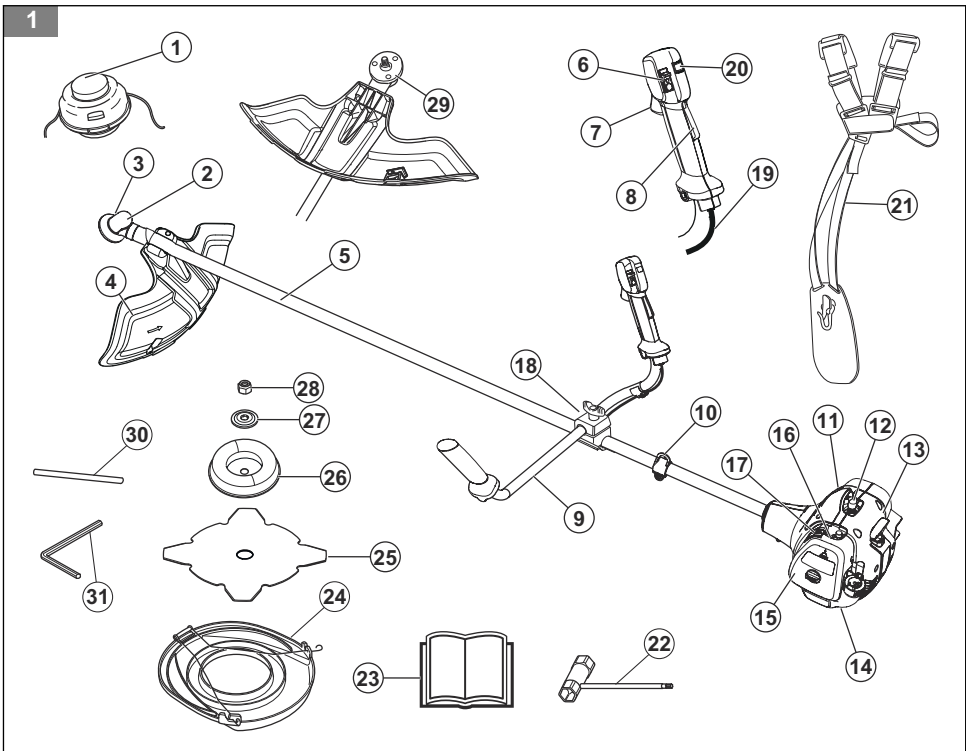


325R

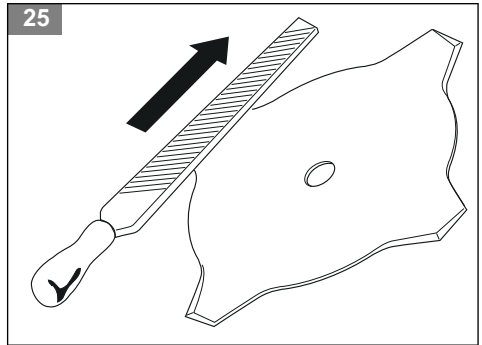
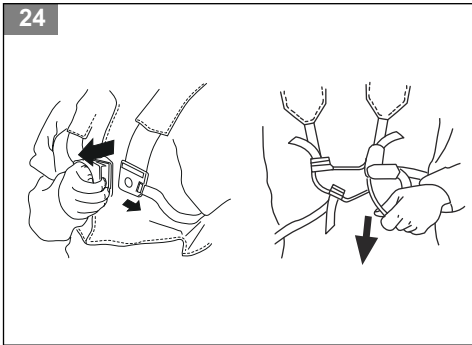
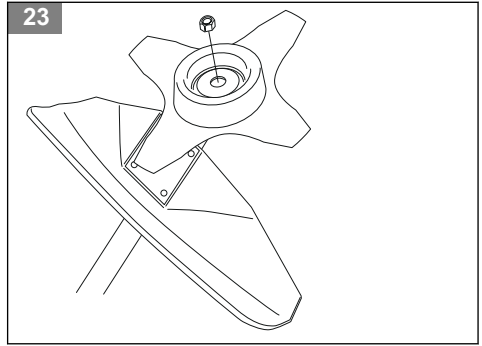
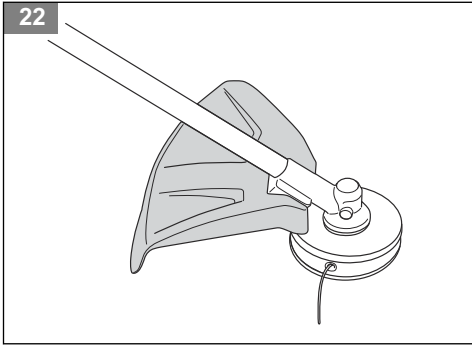
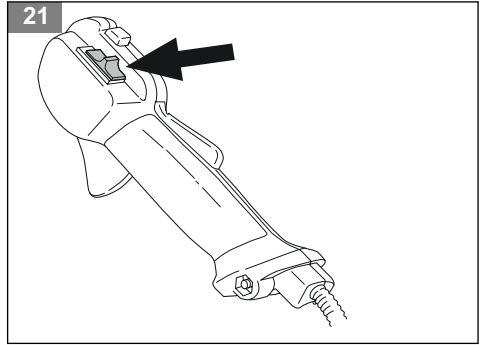
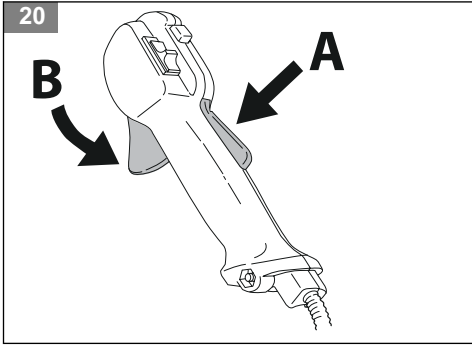


EN	Operator's manual	9-22
BG	Ръководство за експлоатация	23-38
BS	Korisnički priručnik	39-52
CS	Návod k použití	53-66
DA	Brugsanvisning	67-80
DE	Bedienungsanweisung	81-96
EL	Οδηγίες χρήσης	97-112
ES	Manual de usuario	113-128
ET	Kasutusjuhend	129-142
FI	Käyttöohje	143-156
FR	Manuel d'utilisation	157-172
HR	Priručnik za korištenje	173-186
HU	Használati utasítás	187-201
IT	Manuale dell'operatore	202-216
LT	Operatoriaus vadovas	217-230
LV	Lietošanas pamācība	231-245
NL	Gebruiksaanwijzing	246-260
NO	Bruksanvisning	261-274
PL	Instrukcja obsługi	275-289
PT	Manual do utilizador	290-304
RO	Instrucțiuni de utilizare	305-319
RU	Руководство по эксплуатации	320-336
SK	Návod na obsluhu	337-351
SL	Navodila za uporabo	352-365
SR	Priručnik za rukovaoca	366-380
SV	Bruksanvisning	381-394
TR	Kullanım kılavuzu	395-408
UK	Посібник користувача	409-424

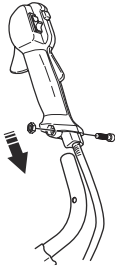
A05328CBHV



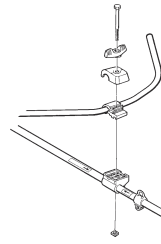
<p>2</p>	<p>3</p>	<p>4</p>	<p>5</p>	<p>6</p>	<p>7</p>
<p>8</p>	<p>9</p>	<p>10</p>	<p>11</p>	<p>12</p>	<p>13</p>
<p>14</p>	<p>15</p>	<p>16</p>	<p>17</p>		



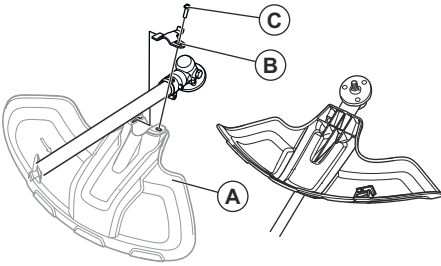
26



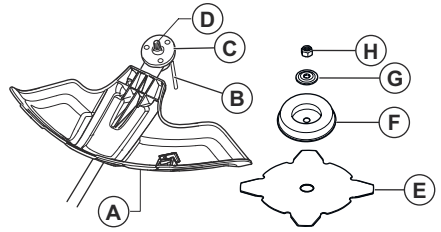
27



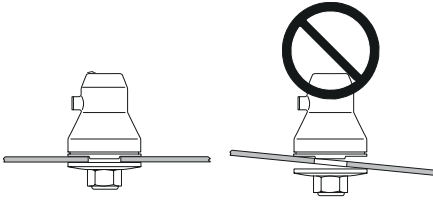
28



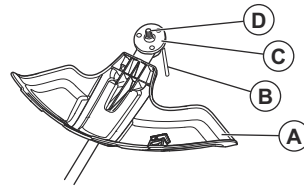
29



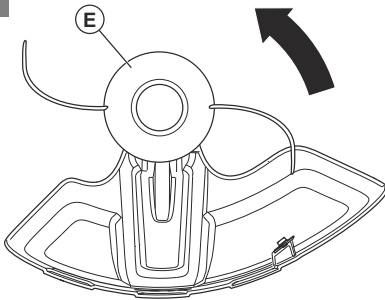
30



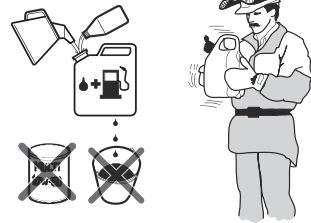
31



32



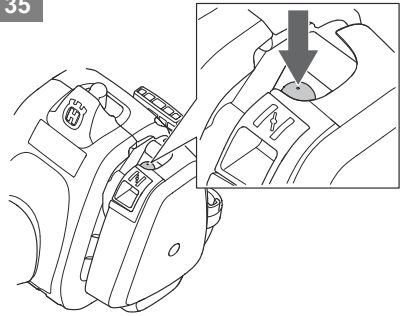
33



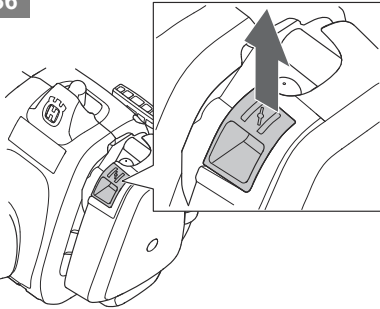
34



35



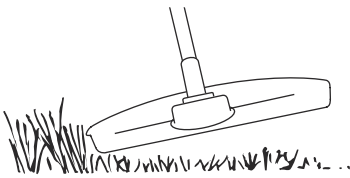
36



37



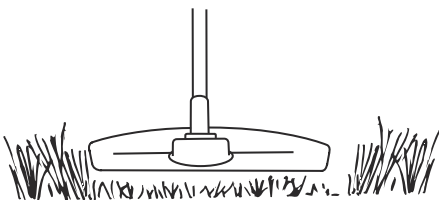
38



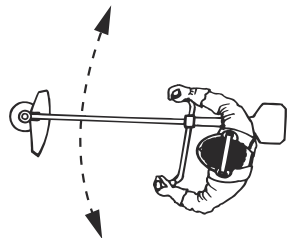
39

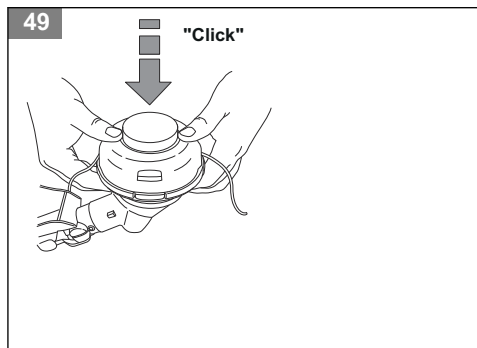
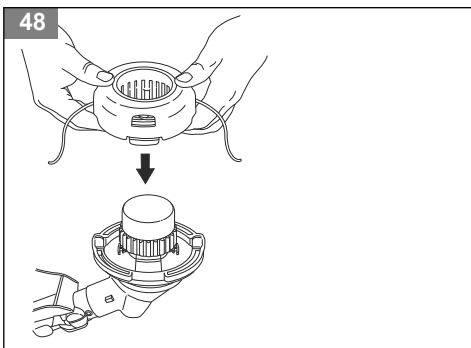
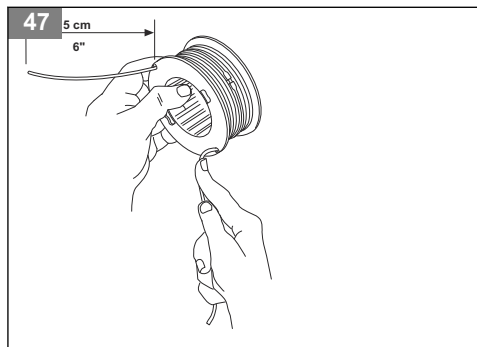
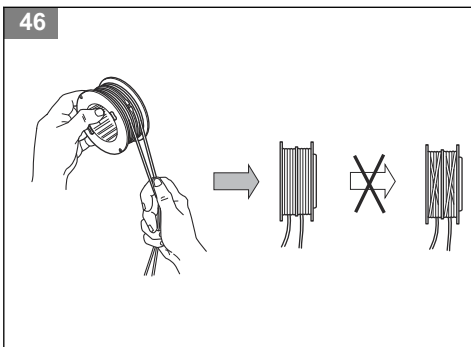
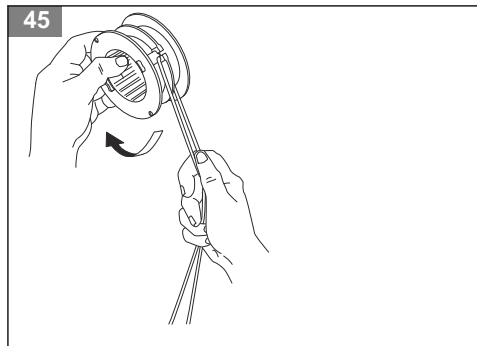
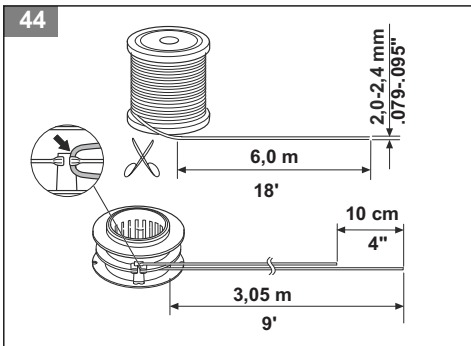
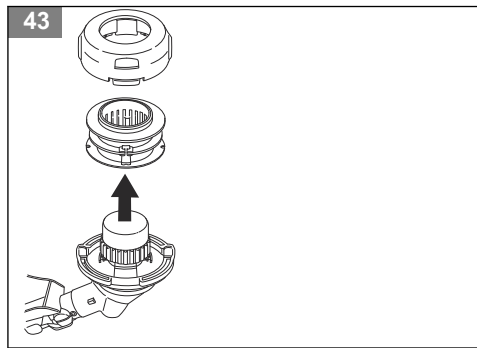
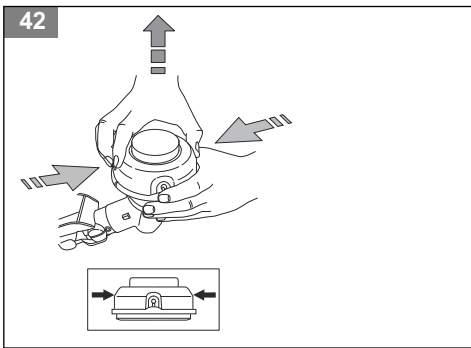


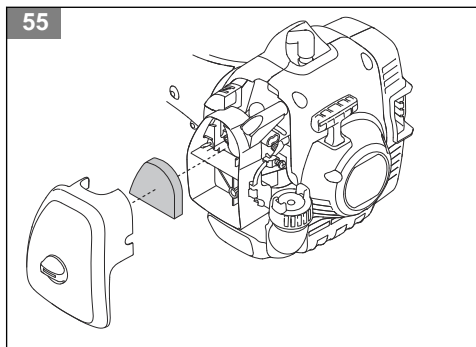
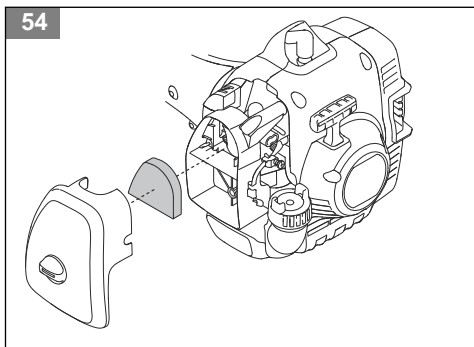
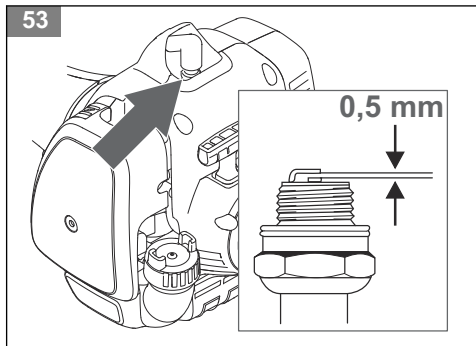
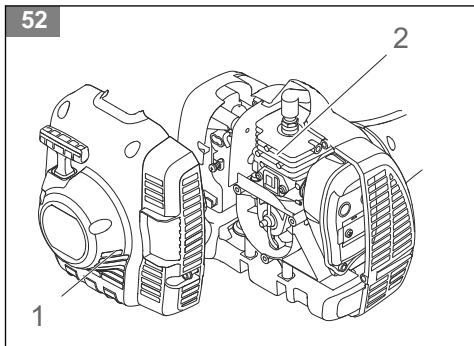
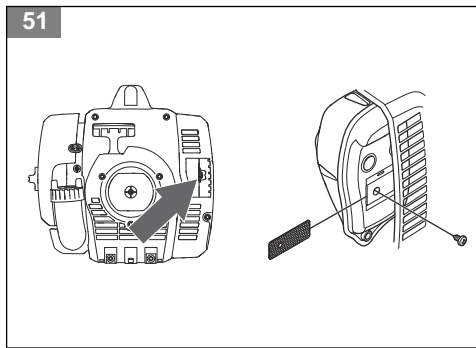
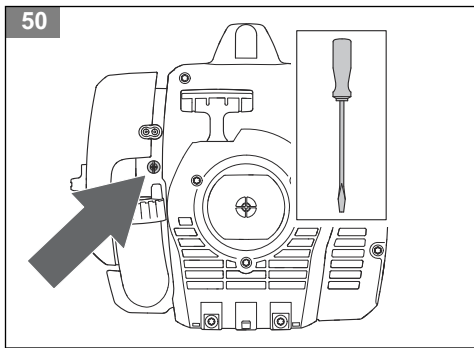
40



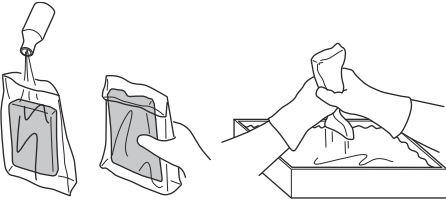
41



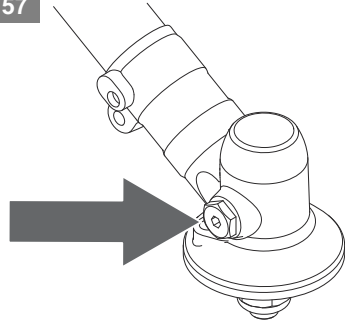




56



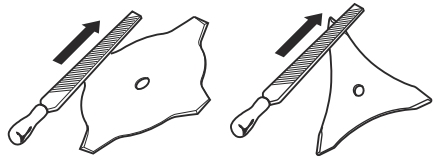
57



58



59



Contents

Introduction.....	9	Troubleshooting.....	19
Safety.....	10	Transportation, storage and disposal.....	19
Assembly.....	14	Technical data.....	20
Operation.....	15	Accessories.....	21
Maintenance.....	17	EC Declaration of Conformity.....	22

Introduction

Operator's manual

The initial language of this operator's manual is English. Operator's manuals in other languages are translations from English.

Note: National regulations can set limit to the operation of the product.

Intended use

Use the product with a grass blade or a trimmer head to cut different types of vegetation.

Product overview

(Fig. 1)

1. Trimmer head
2. Grease filler cap
3. Bevel gear
4. Cutting attachment guard
5. Shaft
6. Stop switch
7. Throttle trigger
8. Throttle trigger lockout
9. Handlebar
10. Harness clamp
11. Starter housing
12. Spark plug cap, spark plug
13. Starter rope handle
14. Fuel tank
15. Air filter cover
16. Air purge bulb
17. Choke control
18. Handle adjustment
19. Throttle wire
20. Fast idle button
21. Harness
22. Combination wrench
23. Operator's manual
24. Transport guard
25. Blade
26. Support cup
27. Support flange
28. Locknut

29. Drive disc
30. Locking pin
31. Hex key

Symbols on the product

- (Fig. 2) **WARNING!** This product is dangerous. Injury or death can occur to the operator or bystanders if the product is not used carefully and correctly. To prevent injury to the operator or bystanders, read and obey all safety instructions in the operator's manual.
- (Fig. 3) Please read the operator's manual carefully and make sure that you understand the instructions before use.
- (Fig. 4) Use a protective helmet in locations where objects can fall on you. Use approved hearing protection. Use approved eye protection.
- (Fig. 5) Use approved protective gloves.
- (Fig. 6) Use heavy-duty slip-resistant boots.
- (Fig. 7) The arrows show the limits for the position of the handle.
- (Fig. 8) The product can cause objects to eject, which can cause injury.
- (Fig. 9) Maximum speed of the output shaft.

- (Fig. 10) Keep a minimum of 15 m / 50 ft distance to persons and animals during operation of the product.
- (Fig. 11) Risk of blade thrust if the cutting equipment touches an object that it does not immediately cut. The product can cut off body parts. Keep a minimum of 15 m / 50 ft distance to persons and animals during operation of the product.
- (Fig. 12) Air purge bulb.
- (Fig. 13) Choke.
- (Fig. 14) Keep all parts of your body away from the hot surfaces.
- (Fig. 15) Noise emission to the environment refer to the European Community's Directive. The emission of the product is specified in the Technical data chapter and on the label.
- (Fig. 16) The product agrees with the applicable EC directives.
- (Fig. 17) The product agrees with the applicable EAC directives.

The rating plate shows the serial number. **yyyy** is the production year, **ww** is the production week and **xxxxx** is the serial number.

yyyywwxxxxx

Note: Other symbols/decals on the product refer to certification requirements for other commercial areas.

Product liability

As referred to in the product liability laws, we are not liable for damages that our product causes if:

- the product is incorrectly repaired.
- the product is repaired with parts that are not from the manufacturer or not approved by the manufacturer.
- the product has an accessory that is not from the manufacturer or not approved by the manufacturer.
- the product is not repaired at an approved service center or by an approved authority.

EU V



WARNING: Tampering with the engine voids the EU type-approval of this product.

Safety

Safety definitions

Warnings, cautions and notes are used to point out specially important parts of the manual.



WARNING: Used if there is a risk of injury or death for the operator or bystanders if the instructions in the manual are not obeyed.



CAUTION: Used if there is a risk of damage to the product, other materials or the adjacent area if the instructions in the manual are not obeyed.

Note: Used to give more information that is necessary in a given situation.

Vibration safety

This product is for occasional operation only. Continuous or regular operation of the product can cause "white finger" or equivalent medical problems from vibrations. Examine the condition of your hands and fingers if you operate the product continuously or regularly. If your hands or fingers have discoloration, have pain, tingle, or are numb, stop work and speak to a physician immediately.

General safety instructions



WARNING: Read the warning instructions that follow before you use the product.

- Use the product correctly. Injury or death is a possible result of incorrect use. Only use the product

for the tasks found in this manual. Do not use the product for other tasks.

- Obey the instructions in this manual. Obey the safety symbols and the safety instructions. If the operator does not obey the instructions and the symbols, injury, damage or death is a possible result.
- Do not discard this manual. Use the instructions to assemble, to operate and to keep your product in good condition. Use the instructions for correct installation of attachments and accessories. Only use approved attachments and accessories.
- Do not use a damaged product. Obey the maintenance schedule. Only do the maintenance work that you find an instruction about in this manual. An approved service center must do all other maintenance work.
- This manual cannot include all situations that can occur when you use the product. Be careful and use your common sense. Do not operate the product or do maintenance on the product if you are not sure about the situation. Speak to a product expert, your dealer, service agent or approved service center for information.
- Disconnect the spark plug cable before you assemble the product, put the product into storage or do maintenance.
- Do not use the product if it is changed from its initial specification. Do not change a part of the product without approval from the manufacturer. Only use parts approved by the manufacturer. Injury or death is a possible result of incorrect maintenance.
- Do not breathe in the fumes from the engine. Long-term inhalation of the engine's exhaust fumes is a health risk.
- Do not start the product indoors or near flammable material. The exhaust fumes are hot and can contain a spark which can start a fire. Not sufficient airflow can cause injury or death because of asphyxiation or carbon monoxide.
- When you use this product the engine makes an electromagnetic field. The electromagnetic field can cause damage to medical implants. Speak to your physician and medical implant manufacturer before you operate the product.
- Do not let a child operate the product. Do not let a person without knowledge of the instructions operate the product.
- Make sure that you always monitor a person, with decreased physical capacity or mental capacity, that uses the product. A responsible adult must be there at all times.
- Lock the product in an area that children and unapproved persons cannot access.
- The product can eject objects and cause injuries. Obey the safety instructions to decrease the risk of injury or death.
- Do not go away from the product when the engine is on.

- The operator of the product is responsible if an accident occurs.
- Make sure that parts are not damaged before you use the product.
- Make sure that you are at minimum 15 m (50 ft) away from other persons or animals before you use the product. Make sure that persons in the adjacent area know that you will use the product.
- Refer to national or local laws. They can prevent or decrease the operation of the product in some conditions.
- Do not use the product if you are fatigued or influenced by alcohol, drugs or medicine. They can have effects on your vision, alertness, coordination or judgment.

Safety instructions for assembly



WARNING: Read the warning instructions that follow before you use the product.

- Remove the spark plug cap from the spark plug before you assemble the product.
- Use approved protective gloves.
- Make sure that you assemble the cover and shaft correctly before you start the engine.
- The drive disc and support flange must engage correctly in the center hole of the cutting attachment. A cutting attachment that is attached incorrectly can cause serious injury or death of the operator or others.
- To operate the product safely and prevent injury to the operator or other persons, the product must always be attached correctly to the harness.

Safety instructions for operation



WARNING: Read the warning instructions that follow before you use the product.

- Make sure the product is fully assembled before you use it.
- Before a start, move the product 3 m / 10 ft away from the position where you filled the fuel tank. Put the product on a flat surface. Make sure that the cutting attachment does not touch the ground or other objects.
- The product can cause objects to eject, which can cause damage to the eyes. Always use an approved eye protection when you operate the product.
- Be careful, a child can come near the product without your knowledge during operation.
- Do not operate the product if there are persons in the work area. Stop the product if a person goes into the work area.
- Make sure that you are always in control of the product.

- Do not use the product if you cannot receive aid if an accident occurs. Always make sure others know you will operate the product before you start to operate the product.
- Do not turn with the product before you make sure that no persons or animals are in the safety area.
- Remove all unwanted materials from the work area before you start. If the cutting attachment hits an object, the object can eject and cause injury or damage. Unwanted material can wind around the cutting attachment and cause damage.
- Do not use the product in bad weather (fog, rain, strong winds, risk of lightning or other weather conditions.). Dangerous conditions (such as slippery surfaces) can occur because of bad weather.
- Make sure that you can move freely and work in a stable position.

(Fig. 18)

- Make sure that you cannot fall when you use the product. Do not tilt when you operate the product.
- Always hold the product with your two hands. Hold the product on the right side of your body.

(Fig. 19)

- Operate the product with the cutting attachment below your waist.
- If the choke control is in the choke position when the engine starts, the cutting attachment starts to turn.
- Do not touch the bevel gear after the engine stops. The bevel gear is hot after the engine stops. Hot areas can cause injury.
- Stop the engine before you move the product.
- Do not put down the product with the engine on.
- Before you remove the unwanted materials from the product, stop the engine and wait until the cutting attachment stops. Let the cutting attachment stop before you or an aid remove the cut material.

Personal protective equipment



WARNING: Read the warning instructions that follow before you use the product.

- Always use correct personal protective equipment when you operate the product. The personal protective equipment does not erase the risk of injury. The personal protective equipment decreases the grade of injury if an accident occurs.
- Always use an approved eye protection while you operate the product.
- Do not operate the product with bare feet or with open shoes. Always use heavy-duty slip-resistant boots.
- Use heavy, long pants.
- If it is necessary, use approved protective gloves.
- Use a helmet if it is possible that objects fall on your head.

- Always use approved ear protection while you operate the product. Noise for a long period can cause noise-induced hearing loss.
- Make sure that you have a first aid kit near.

Safety devices on the product



WARNING: Read the warning instructions that follow before you use the product.

- Do not use a product with defective safety devices.
- Do a check of the safety devices regularly. Refer to *Product overview on page 9*.
- If the safety devices are defective, speak to your Husqvarna servicing dealer.

Throttle trigger lockout

The throttle trigger lockout locks the throttle trigger. (Fig. 20)

Push the throttle trigger lockout (A) to release the throttle trigger (B). When you release the handle, the throttle trigger lockout and the throttle trigger go back to their initial positions.

1. Make sure that the throttle trigger (B) is locked at idle when you release the throttle trigger lockout (A).
2. Push the throttle trigger lockout (A) and make sure that it goes back to its initial position when you release it.
3. Push the throttle trigger (B) and make sure that it goes back to its initial position when you release it.

Start the engine, and then apply full throttle. Release the throttle trigger and examine if the cutting attachment stops. If the cutting attachment turns with the throttle in the idle position, examine the idle adjustment screw of the carburetor.

Stop switch

Start the engine. Make sure that the engine stops when you move the stop switch to the stop position.

(Fig. 21)

Cutting attachment guard

The cutting attachment guard prevents a loose object to eject in the direction of the operator.

(Fig. 22)

Examine the cutting attachment guard for damage and replace if it is damaged. Only use the approved guard for the cutting attachment.

Muffler

- Do not use an engine with a damaged muffler. A damaged muffler increases the noise level and the risk of fire. Keep a fire extinguisher near.
- Examine regularly that the muffler is attached to the product.

- Do not touch the engine or the muffler when the engine is on. Do not touch the engine or the muffler for a while after the engine stops. Hot surfaces can cause injuries.
- A hot muffler can cause a fire. Be careful, if you use the product near flammable liquids or fumes.
- Do not touch the parts in the muffler, if the muffler is damaged. The parts can contain some carcinogenic chemicals.

Locknut

The locknut is used to lock some types of cutting attachment.

(Fig. 23)

When you install the locknut, tighten it in the opposite direction to operation direction of the cutting attachment.

Harness release function



WARNING: Do not use the harness if the release function is defective. Make sure that the harness release function operates correctly when you adjust the product.

The harness release function is at the front of the product. The harness straps must always stay at the correct position.

(Fig. 24)

In an emergency, the harness release function helps you to safely release from the product.

Cutting attachment



WARNING: Read the warning instructions that follow before you use the product.

- Do the regular maintenance. Let an approved service center regularly examine the cutting attachment to do adjustments or repairs.
 - The performance of the cutting attachment increases.
 - The life of the cutting attachment increases.
 - The risk of accidents decreases.
- Only use an approved cutting attachment guard. For more information, see *Accessories on page 21*.
- Do not use a damaged cutting attachment.

Grass blades and grass cutters

- Use the product with an approved grass blade. Do not use a grass blade without proper installation of all required parts. Make sure that the installation is done correctly and that the proper parts are used. Improper installation may cause the blade to fly off and seriously injure the operator or the bystanders.
- Wear protective gloves when you handle or do maintenance on the blade.

- Use head protection when you operate a product with a grass blade.
- Grass blades and grass cutters are used to cut rough grass.
- A grass blade can cause injury while it continues to spin after the engine is stopped or the throttle trigger is released. Make sure that the grass blade has completely stopped rotating before any maintenance.
- Stop the engine before you do work on the cutting attachment. Make sure the cutting attachment fully stops. Disconnect the lead from the spark plug.
- Only use an approved cutting attachment or a correctly sharpened blade.
- Keep the teeth of the blade correctly sharpened. (Fig. 25)
- Do not use a damaged cutting attachment.
- Attach the transport guard to the grass blade when you transport or store the product.

Blade thrust

- A blade thrust is a sudden movement of the product to the side, forward or rearward. A blade thrust occurs when the grass blade or saw blade hits an object that cannot be cut. In areas where it is not easy to see the material being cut the risk of blade thrust increases.
- When a blade thrust occurs, there is a risk that the product or the operator moves out of position. A blade that moves can hit bystanders and there is a risk of injuries.
- If a blade is bent, has cracks, is broken or damaged, discard the blade.
- Use a sharp blade. The risk of blade thrust increases when a blade is not sharp.

Fuel safety



WARNING: Read the warning instructions that follow before you use the product.

- Do not mix the fuel indoor or near a heat source.
- Do not start the product if there is fuel or engine oil on the product. Remove the unwanted fuel/oil and let the product dry. Remove unwanted fuel from the product.
- If you spill fuel on your clothing, change clothing immediately.
- Do not get fuel on your body, it can cause injury. If you get fuel on your body, use a soap and water to remove the fuel.
- Do not start the engine if you spill oil or fuel on the product or on your body.
- Do not start the product if the engine has a leak. Examine the engine for leaks regularly.
- Be careful with fuel. Fuel is flammable and the fumes are explosive and can cause injuries or death.

- Do not breathe in the fuel fumes, it can cause injury. Make sure that there is a sufficient airflow.
- Do not smoke near the fuel or the engine.
- Do not put warm objects near the fuel or the engine.
- Do not add the fuel when the engine is on.
- Make sure that the engine is cool before you refuel.
- Before you refuel, open the fuel tank cap slowly and release the pressure carefully.
- Do not add fuel to the engine in an indoor area. Not sufficient airflow can cause injury or death because of asphyxiation or carbon monoxide.
- Tighten the fuel tank cap carefully or a fire can occur.
- Move the product at a minimum of 3 m (10 ft) from the position where you filled the tank before a start.
- Do not put too much fuel in the fuel tank.
- Make sure that a leak cannot occur when you move the product or fuel container.
- Do not put the product or a fuel container where there is an open flame, spark or pilot light. Make sure that the storage area does not contain an open flame.
- Only use approved containers when you move the fuel or put the fuel into storage.
- Empty the fuel tank before long-term storage. Obey the local law on where to dispose fuel.

- Clean the product before long-term storage.
- Remove the spark plug cable before you put the product into storage to make sure that the engine does not start accidentally.

Safety instructions for maintenance



WARNING: Read the warning instructions that follow before you do maintenance on the product.

- Do only the maintenance and servicing given in this operator's manual. Let professional servicing personnel do all other servicing and repairs.
- Regularly do the safety checks, maintenance and service instructions given in this manual. Regular maintenance increases the life of the product and decreases the risk of accidents. Refer to *Maintenance schedule on page 17* for instructions.
- If the safety checks in this operator's manual is not approved after you do maintenance, speak to your servicing dealer. We guarantee that there are professional repairs and servicing available for your product.

Assembly

Introduction



WARNING: Before you assemble the product, you must read and understand the safety chapter.



WARNING: Remove the spark plug cable from the spark plug before you assemble the product.

To assemble the handlebar

1. Remove the screw behind the throttle handle. (Fig. 26)
2. Move the throttle handle to the right side of the handlebar.
3. Align the hole behind the throttle handle with the hole in the handlebar.
4. Put the screw go through the holes. Tighten the screw.
5. Attach the handlebar between the arrows on the shaft. Tighten the screw. (Fig. 27)

To attach the harness clamp

1. Put the harness clamp on the shaft with the loop of the harness clamp up. Put the harness clamp above the arrows on the shaft.

2. Put the throttle wire in the groove of the harness clamp at bottom.
3. Align the harness clamp screw holes.
4. Attach 2 screws into the screw holes.
5. Tighten the screws.

To assemble the cutting attachment

To assemble the cutting attachment guard

1. Put the cutting attachment guard (A) onto the shaft. (Fig. 28)
2. Put the bracket (B) in the slot on the cutting attachment guard.
3. Attach the bolt (C) through the hole on the bracket to the cutting attachment guard.

To assemble the grass blade

1. Make sure that the cutting attachment guard (A) is attached to the product. Refer to *To assemble the cutting attachment guard on page 14*. (Fig. 29)
2. Put the locking pin (B) in the hole to lock the shaft.
3. Put the blade (E), support cup (F) and support flange (G) on the output shaft (D).
4. Make sure that the drive disc (C) engages correctly in the center hole of the blade. (Fig. 30)

- Put the locknut (H) on the output shaft. Hold the shaft of the combination wrench near the cutting attachment guard. Turn the combination wrench counterclockwise to tighten the locknut. Torque the locknut to 35-50 Nm / 26-36 ft/lb.
- Remove the locking pin.

To attach the trimmer head

- Make sure that the cutting attachment guard (A) is attached to the product. Refer to *To assemble the cutting attachment guard on page 14.* (Fig. 31)

- Make sure that the drive disc (C) is attached to the output shaft (D).
- Put the locking pin (B) in the hole to lock the shaft.
- Put the trimmer head (E) on the output shaft.
- Turn the trimmer head counterclockwise to tighten it to the output shaft. (Fig. 32)
- Remove the locking pin.

Operation

Introduction



WARNING: Before you operate the product, you must read and understand the safety chapter.

Fuel

This product has a two-stroke engine.



CAUTION: Incorrect type of fuel can result in engine damage. Use a mixture of gasoline and two-stroke oil.

Premixed fuel

- Use Husqvarna premixed alkylate fuel of a good quality, for best performance and extension of the engine life. This fuel contains less harmful chemicals compared to regular fuel, which decreases harmful exhaust fumes. The quantity of remains after combustion is lower with this fuel, which keeps the components of the engine more clean.

To mix fuel

Gasoline



CAUTION: Do not use gasoline with an octane number less than 90 RON (87 AKI). This can cause damage to the product.



CAUTION: Do not use gasoline with more than 10% ethanol concentration (E10). This can cause damage to the product.

- Always use new unleaded gasoline with a minimum octane number of 90 RON (87 AKI) and with less than 10% ethanol concentration (E10).
- Use gasoline with a higher octane number if you frequently use the product at continuously high engine speed.

Two-stroke oil

- For best results and performance use Husqvarna two-stroke oil.
- If Husqvarna two-stroke oil is not available, use a two-stroke oil of good quality for air-cooled engines. Speak to your servicing dealer to select the correct oil.



CAUTION: Do not use two-stroke oil for water-cooled outboard engines, also referred to as outboard oil. Do not use oil for four-stroke engines.

To mix gasoline and two-stroke oil

Gasoline, liter	Two-stroke oil, liter
	2% (50:1)
5	0.10
10	0.20
15	0.30
20	0.40



CAUTION: Small errors can influence the ratio of the mixture drastically when you mix small quantities of fuel. Measure the quantity of oil carefully and make sure that you get the correct mixture.

(Fig. 33)

- Fill half the quantity of gasoline in a clean container for fuel.
- Add the full quantity of oil.
- Shake the fuel mixture.
- Add the remaining quantity of gasoline to the container.
- Carefully shake the fuel mixture.



CAUTION: Do not mix fuel for more than 1 month at a time.

To add fuel

- Always use a fuel container with an antispill valve.
- If there is some fuel on the container, remove the unwanted fuel and let the container dry.
- Make sure that the area near the fuel tank cap is clean.
- Shake the fuel container before you add the fuel mixture to the fuel tank.

To do a run-in

- During the first 10 hours of operation, do not apply full throttle without load for extended periods.

To start and stop

To examine before start

1. Make sure that the product has no missing, damaged, loose or worn parts.
2. Make sure that nuts, screws and bolts are tightened.
3. Make sure that the blades or trimmer head is not damaged.
4. Make sure that the locknut is tightened. Refer to *To examine the locknut on page 18*.
5. Make sure that the air filter is not clogged.
6. Make sure that the safety devices on the product is not defective.
7. Make sure that the product has no fuel leaks.

To adjust the harness



WARNING: The product must always be correctly attached to the harness. Do not use a defective harness.

1. Put on the harness.
2. Connect the product to the harness.
3. Adjust the harness for the best work position.
4. Adjust the side straps to make the product weigh equally on your shoulders. (Fig. 34)
5. Adjust the harness until the cutting attachment is parallel to the ground.
6. Let the cutting attachment lightly touch the ground. Adjust the harness clamp to balance the product correctly.

Note: If you use a grass blade, it must balance approximately 10 cm / 4 in above the ground.

To start a cold engine

1. Push the air purge bulb 10 times. (Fig. 35)

2. Pull the choke control up. (Fig. 36)
3. Hold the body of the product on the ground with your left hand. (Fig. 37) Do not step on the product. Pull the starter rope handle slowly until you feel some resistance. Then pull the starter rope handle with force.

Note: Do not pull the throttle trigger while you start the engine.

4. Continue to pull the starter rope handle until the engine starts or tries to start (max. 3 pulls). If the engine starts or tries to start, push the choke control down. Continue to pull until the engine starts. Wait 60 seconds after a start before you pull the throttle trigger.



CAUTION: Do not pull the starter rope until it stops. Do not let go of the starter rope when it is fully extended. Release the starter rope slowly. Failure to obey these instructions can cause damage to the engine.

To start a warm engine

1. Push the air purge bulb 10 times.
2. Pull the starter rope until the engine starts.

To start the engine when the fuel is too hot

If the product does not start, the fuel can be too hot.

Note: Always use new fuel and decrease the operation time during warm weather.

1. Put the product in a cool area away from open sunlight.
2. Let the product cool down for 20 minutes at minimum.
3. Press the air purge bulb again and again for 10-15 seconds.
4. Obey the procedure to start a cold engine. Refer to *To start a cold engine on page 16*.

To stop

- Push the stop switch to stop the engine. (Fig. 21)

Note: The stop switch automatically goes back to its initial position.

To operate the grass trimmer



CAUTION: Make sure that you slow the engine to idle speed after each operation. A long period at full throttle without a load on the engine can cause damage to the engine.

Note: Clean the cover of the trimmer head when you attach a new trimmer line to prevent vibrations. Examine

other parts of the trimmer head and clean if it is necessary.

To trim the grass

1. Hold the trimmer head immediately above the ground at an angle. Do not push the trimmer line into the grass. (Fig. 38)
2. Decrease the length of the trimmer line by 10-12 cm / 4-4.75 in.
3. Decrease the engine speed to decrease the risk of damage to plants.
4. Use 80 % throttle when you cut grass near objects. (Fig. 39)

To cut the grass

1. Make sure that the grass trimmer line is parallel to the ground when you cut the grass. (Fig. 40)
2. Do not push the trimmer head to the ground. This can cause damage to the product
3. Move the product from side to side when you cut grass. Use full throttle. (Fig. 41)

To clear grass with a grass blade

1. Grass blades and grass cutters must not be used on woody stems.
2. A grass blade is used for all types of tall or coarse grass.
3. The grass is cut down with a sideways, swinging movement, where the movement from right-to-left is the clearing stroke and the movement from left-to-right is the return stroke. Let the left-hand side of the blade (between 8 and 12 o'clock) do the cutting.
4. If the blade is angled to the left when clearing grass, the grass will collect in a line, which makes it easier to collect, e.g. by raking.

5. Try to work rhythmically. Stand firmly with your feet apart. Move forward after the return stroke and stand firmly again.
6. Let the support cup rest lightly against the ground. It is used to protect the blade from hitting the ground.
7. Reduce the risk of material wrapping around the blade by always work at full throttle and avoid the previously cut material during the return stroke.
8. Stop the engine, unclip the harness and place the machine on the ground before you start to collect the cut material.

Grass trimmer head

- Make sure that you wind the grass trimmer line tightly and equally around the drum to decrease the vibration.
- Use only the approved grass trimmer heads and grass trimmer lines. See *Accessories on page 21*.
- Use a correct length of the grass trimmer line. A long grass trimmer line uses more engine power than a short grass trimmer line.
- Make sure that the cutter on the cutting attachment guard is not damaged.
- Soak the grass trimmer line in water for 2 days before you attach the grass trimmer line to the product. This increases the life of the grass trimmer line.

To replace the trimmer line

(Fig. 42)
(Fig. 43)
(Fig. 44)
(Fig. 45)
(Fig. 46)
(Fig. 47)
(Fig. 48)
(Fig. 49)

Maintenance

Introduction



WARNING: Before you do maintenance, you must read and understand the safety chapter.

For all servicing and repair work on the product, special training is necessary. We guarantee the availability of professional repairs and servicing. If your dealer is not a service agent, speak to them for information about the nearest service agent.

Maintenance schedule

Weekly maintenance

- Clean the external surfaces.

- Make sure that the cutting attachment does not move when on idle speed. Refer to *To adjust the idle speed on page 18*.
- Examine the level of grease in the bevel gear. Refer to *To add grease to the bevel gear on page 18*.
- Examine the locknut. Refer to *To examine the locknut on page 18*.

Monthly maintenance

- Make sure that the starter rope handle and the starter rope is not damaged.

Yearly maintenance

- Examine the spark plug. Refer to *To examine the spark plug on page 18*.
- Clean the external surfaces of the carburetor and its adjacent areas.
- Clean the cooling system.

- Examine the spark arrester screen. Refer to *To do maintenance on the spark arrester screen on page 18*.
- Examine the fuel filter.
- Make sure that the fuel hose is not damaged.
- Make sure that cables and connections on the product is not damaged.

To adjust the idle speed

- Make sure that the air filter is clean and the air filter cover is attached before you adjust the idle speed.
- Adjust the idle speed with the idle adjustment screw T which is identified with "T" mark.
- The idle speed is correct when the engine operates smoothly in all positions. The idle speed must be below the speed when the cutting attachment starts to turn.

1. Turn the idle adjustment screw clockwise until the cutting attachment starts to turn. (Fig. 50)
2. Turn the idle adjustment screw counterclockwise until the cutting attachment stops.

To do maintenance on the spark arrester screen

Use a wire brush to clean the spark arrester screen. (Fig. 51)

To clean the cooling system

Clean the parts of the cooling system with a brush. (Fig. 52)

To examine the spark plug



CAUTION: Use the recommended spark plug. Make sure that the replacement is the same as the manufacturer supplied part. An incorrect spark plug can cause damage to the product.

1. Examine the spark plug when:
 - a) the engine is low on power.
 - b) the engine is not easy to start.
 - c) the engine does not operate correctly at idle speed.
2. If, the engine is not easy to start or operate, examine the spark plug for unwanted materials. To decrease the risk of unwanted material on the spark plug electrodes:
 - a) make sure that the idle speed is correctly adjusted.
 - b) make sure that the fuel mixture is correct.
 - c) make sure that the air filter is clean.
3. Clean the spark plug if it is dirty. Examine that the electrode gap is correct. (Fig. 53)
4. Replace the spark plug when it is necessary.

To do the maintenance to the air filter

To clean the air filter

1. Remove the air filter cover and remove the air filter. (Fig. 54)
2. Clean the air filter with warm soap water. Make sure that the air filter is dry before you install it.
3. Replace the air filter if it is too dirty to fully clean it. Always replace a damaged air filter.
4. If your product has a foam air filter, apply air filter oil. Only apply air filter oil to a foam filter. Do not apply oil to a felt filter.

To apply air filter oil to the air filter



CAUTION: Always use special air filter oil on foam air filters. Do not use other types of oil.



WARNING: Do not get oil on your body.

1. Remove the air filter cover and remove the air filter. (Fig. 55)
2. Put the air filter in a plastic bag.
3. Put the air filter oil in the plastic bag. (Fig. 56)
4. Push the plastic bag to make sure the oil supplies equally across the air filter.
5. Push on the air filter, while in the bag, to remove the air filter oil that is not necessary. Remove the air filter from the bag.
6. Install the air filter.

To add grease to the bevel gear

Make sure that the bevel gear is filled 3/4 full with bevel gear grease.

(Fig. 57)

To examine the locknut



CAUTION: Replace the locknut after each 10th use.

1. Turn the locknut counterclockwise to tighten the locknut. Turn the locknut clockwise to remove the locknut. (Fig. 58)
2. Make sure that you can not turn the nylon lining of the locknut with your hands. The nylon lining must supply a minimum resistance of 1.5 Nm / 1,1 ft/lb.
3. Torque the locknut to 35-50 Nm / 26-36 ft/lb, if the resistance is below minimum.



CAUTION: If you tighten the locknut too much, it can cause damage to the threads.

To sharpen the grass knife and grass blade



WARNING: Stop the engine. Use protective gloves.



WARNING: Always discard a blade that is damaged. Do not try to make a bent or twisted blade straight and use it again.

- To sharpen the grass knife or grass blade correctly, refer to the instructions that come with the cutting attachment.
- Sharpen all edges equally to keep the balance.
- Use a single-cut flat file. (Fig. 59)

Troubleshooting

The engine does not start

Check	Possible cause	Procedure
Stop switch.	The stop switch is in the stop position.	Set the stop switch to the start position.
Starter pawls.	The starter pawls cannot move freely.	Remove the starter cover and clean around the starter pawls.
		Let an approved service agent help you.
Fuel tank.	Incorrect fuel type.	Drain the fuel tank and fill with correct fuel.
Spark plug.	The spark plug is dirty or wet.	Make sure that the spark plug is dry and clean.
	The spark plug electrode gap is incorrect.	Clean the spark plug. Make sure that the electrode gap is correct. Make sure that the spark plug has a suppressor.
		Refer to technical data for correct electrode gap.
	The spark plug is loose.	Tighten the spark plug.

The engine starts but stops again

Check	Possible cause	Procedure
Fuel tank	Incorrect fuel type.	Empty the fuel tank and fill it with correct fuel.
Air filter	The air filter is clogged.	Clean the air filter.

Transportation, storage and disposal

Transportation and storage

- Let the product cool before transportation or storage.
- Remove the spark plug cap before long-term storage.
- Attach the product during transportation. Make sure that it cannot move.

- Make sure that there is no risk of fuel leaks, fuel fumes, sparks or flames during transportation and storage.
- Attach the transport guard during transportation and storage.
- Clean and do servicing on the product before long-term storage.

Technical data

Technical data

	325R
	A05328CBHV
Engine	
Cylinder displacement, cm ³	27.6
Idle speed, rpm	2800 - 3200
Recommended max. speed, rpm	8000
Power / Max. engine output, acc. to ISO 8893, kW/hp @ rpm	0.9/1.2 @ 8000
Catalytic converter muffler	Yes
Speed of output shaft, rpm	7200
Ignition system	
Spark plug	Husqvarna HQT-4
Electrode gap, mm	0.5
Fuel system	
Fuel tank capacity, l/cm ³	0.343/343
Product dimensions	
Weight, kg	5.5
Noise emissions¹	
Sound power level, measured, equipped with grass blade, dB(A)	108
Sound power level, measured, equipped with trimmer head, dB(A)	110
Sound power level, guaranteed (L _{WA}), equipped with grass blade, dB(A)	112
Sound power level, guaranteed (L _{WA}), equipped with trimmer head, dB(A)	114
Sound levels²	
Sound pressure level at operator's ear, equipped with grass blade, dB(A)	96

¹ Noise emissions in the environment measured as sound power (L_{WA}) in conformity with EC directive 2000/14/EC. Reported sound power level for the product has been measured with the original cutting attachment that gives the highest level. The difference between guaranteed and measured sound power is that the guaranteed sound power also includes dispersion in the measurement result and the variations between different products of the same model according to Directive 2000/14/EC.

² Reported data for equivalent sound pressure level for the product has a typical statistical dispersion (standard deviation) of 1 dB (A).

	325R A05328CBHV
Sound pressure level at operator's ear, equipped with trimmer head, dB(A)	95
Vibration levels³	
Equivalent vibration level (ahv, eq), equipped with grass blade, left handle, m/s ²	5.1
Equivalent vibration level (ahv, eq), equipped with grass blade, right handle, m/s ²	5.7
Equivalent vibration level (ahv, eq) equipped with trimmer head, left handle, m/s ²	4.1
Equivalent vibration level (ahv, eq) equipped with trimmer head, right handle, m/s ²	4.9

Accessories

Accessories

Approved accessories	Type	Cutting attachment guard
Threaded shaft	M10L	
Trimmer head	T35, 2.4 mm	588 11 79-01
Grass blade	Grass 255-4, Ø 250	588 11 79-01

³ Reported data for equivalent vibration level has a typical statistical dispersion (standard deviation) of 1 m/s².

EC Declaration of Conformity

Contents of the EC declaration of conformity

We, Husqvarna AB, SE 561 82 Huskvarna, SWEDEN, declare under our sole responsibility that the represented product:

Description	Gasoline Grass Trimmer / Brushcutter
Brand	Husqvarna
Platform / Type / Model	Platform A05328CBHV, representing model 325R.
Batch	Serial number dating 2018 and onwards.

complies fully with the following EU directives and regulations:

Directive/Regulation	Description
2006/42/EC	"relating to machinery"
2014/30/EU	"relating to electromagnetic compatibility"
2000/14/EC	"relating to outdoor noise"
2011/65/EU	"restriction of use of certain hazardous substances"

Harmonized standards and/or technical specifications applied are as follows: EN ISO 12100, EN ISO 11806-1, CISPR 12, ISO 14982, EN 50581:2012 .

In accordance with directive 2000/14/EC, Annex V, the declared sound values are stated in the technical data section of this manual and in the signed EC Declaration of Conformity.

TÜV Rheinland N.A. has carried out a voluntary examination on behalf of Husqvarna AB, providing a Certificate of conformity to EC Council directive 2006/42/EC for machinery.

The certificate, as provided on the signed EC Declaration of Conformity, is applicable to all manufacturing locations and Countries of Origin, as stated on the product.

The supplied gasoline grass trimmer / brushcutter conforms to the example that underwent examination.

Содержание

Въведение.....	23	Отстраняване на проблеми.....	35
Безопасност.....	24	Транспортиране, съхранение и изхвърляне.....	36
Монтаж.....	29	Технически данни.....	36
Операция.....	30	Принадлежности.....	37
Поддръжка.....	33	Декларация за съответствие на ЕО.....	38

Въведение

Инструкция за експлоатация

Оригиналната версия на настоящата инструкция за експлоатация е на английски език. Инструкциите за експлоатация на други езици са преведени от английски.

Предназначение

Използвайте продукта с резец за косене или тримерна глава за рязане на различни видове растителност.

Общ преглед на продукта

(Фиг. 1)

1. Тримерна глава
2. Капачка за пълнене с грес
3. Ъглова зъбна предавка
4. Предпазител на режещо оборудване
5. Вал
6. Превключвател за спиране
7. Регулатор за газта
8. Блокировка на регулатор за газта
9. Удължителна дръжка
10. Скоба за самар
11. Корпус на стартера
12. Лула на запалителната свещ, запалителна свещ
13. Дръжка на възето на стартера
14. Резервоар за гориво
15. Капак на въздушния филтър
16. Купол на горивната помпа
17. Смукач
18. Регулиране на дръжката
19. Кабел за регулиране на мощността
20. Бутон "бърз празен ход"
21. Самар
22. Комбиниран гаечен ключ
23. Инструкция за експлоатация
24. Предпазител за транспортиране
25. Нож
26. Сферична опора
27. Опорен фланец

Забележка: Националните разпоредби могат да поставят ограничения за работата с продукта.

28. Контрагайка
29. Задвижващ диск
30. Шплинт
31. Шестостепен ключ

Символи върху машината

- (Фиг. 2) **ПРЕДУПРЕЖДЕНИЕ!** Този продукт е опасен. Невнимателното или погрешното използване на продукта може да доведе до нараняване или смърт на оператора или наблюдатели. За да предотвратите нараняване на оператора или наблюдатели, прочетете и спазвайте всички инструкции за безопасност в ръководството на оператора.
- (Фиг. 3) Прочетете внимателно ръководството за оператора и се уверете, че разбирате инструкциите, преди да използвате машината.
- (Фиг. 4) Използвайте защитна каска на местата, където върху Вас могат да паднат предмети. Използвайте одобрени антифони. Използвайте одобрени защитни средства за очите.
- (Фиг. 5) Използвайте одобрени защитни ръкавици.
- (Фиг. 6) Използвайте устойчиви на плъзгане ботуши за тежък режим на работа.

- (Фиг. 7) Стрелките показват ограниченията на позицията на ръкохватката.
- (Фиг. 8) Възможно е изхвърчане на предмети от продукта, което може да доведе до нараняване.
- (Фиг. 9) Максимални обороти на изходния вал.
- (Фиг. 10) Поддържайте минимална дистанция от 15 m/50 ft спрямо хора и животни по време на работа с продукта.
- (Фиг. 11) Съществува риск от откат на резеца, ако режещото оборудване докосне предмети, които не разреже веднага. Продуктът може да отреже части от тялото. Поддържайте минимална дистанция от 15 m/50 ft спрямо хора и животни по време на работа с продукта.
- (Фиг. 12) Купол на горивната помпа.
- (Фиг. 13) Смукач.
- (Фиг. 14) Пазете всички части на тялото си далеч от горещите повърхности.
- (Фиг. 15) Шумовите емисии към околната среда се пазовават на Директивата на Европейската общност. Емисията на продукта е посочена в главата „Технически характеристики“ и на табелката.
- (Фиг. 16) Продуктът е в съответствие с приложимите директиви на ЕО.
- (Фиг. 17) Продуктът е в съответствие с приложимите директиви на ЕАС.

Типовата табелка показва серийния номер. **гггг** е годината на производството, **сс** е седмицата на производството и **ххххх** е серийният номер.

ггггссххххх

Забележка: Останалите символи/лепенки на продукта се отнасят до изисквания по отношение на сертификати за други търговски зони.

Отговорност за вреди, причинени от стоки

Както е посочено в законите за отговорност за вреди, причинени от стоки, ние не носим отговорност за щети, причинени от нашия продукт, ако:

- продуктът е неправилно ремонтиран.
- продуктът е ремонтиран с части, които не са от производителя или не са одобрени от производителя.
- продуктът има принадлежност, която не е от производителя или не е одобрена от производителя.
- продуктът не е ремонтиран в одобрен сервизен център или от одобрен орган.

EU V



ПРЕДУПРЕЖДЕНИЕ: Намесата в двигателя прави невалидно ЕС одобрението на тип на този продукт.

Безопасност

Дефиниции за безопасност

Предупреждения, знаци за внимание и бележки се използват за указване на особено важни части на инструкцията.



ПРЕДУПРЕЖДЕНИЕ: Използва се, ако има опасност от нараняване или смърт за оператора или за околните, ако не се спазват инструкциите в ръководството.



ВНИМАНИЕ: Използва се, ако има опасност от повреждане на машината, други материали или съседната зона, ако не се спазват инструкциите в ръководството.

Забележка: Използва се за предоставяне на повече информация, която е необходима в дадена ситуация.

Безопасност при вибрация

Този продукт е само за сравнително рядка работа. Продължителната или редовната работа с продукта може да доведе до „вибрационна болест“ или подобни медицински проблеми, причинени от вибрации. Ако работите продължително или често с продукта, проверявайте състоянието на ръцете и пръстите си. Ако ръцете или пръстите ви се обезцветяват, имате болка, изтръпване или схващане, спрете работа и незабавно се консултирайте с лекар.

Общи инструкции за безопасност



ПРЕДУПРЕЖДЕНИЕ: Прочетете следващите предупредителни указания, преди да използвате машината.

- Използвайте правилно продукта. Неправилната употреба може да доведе до нараняване или смърт. Използвайте продукта само за задачите, описани в настоящето ръководство. Не използвайте продукта за други задачи.
 - Спазвайте инструкциите в тази инструкция за експлоатация. Спазвайте символите за безопасност и инструкциите за безопасност. Ако операторът не спазва инструкциите и символите, резултатът може да е нараняване, повреда или смърт.
 - Не изхвърляйте това ръководство. Следвайте инструкциите за монтиране, използване и поддръжка на продукта в добро състояние. Следвайте инструкциите за правилен монтаж на приспособленията и принадлежностите. Използвайте само одобрени приспособления и принадлежности.
 - Не използвайте повреден продукт. Спазвайте графика за техническо обслужване. Извършвайте само дейностите по техническо обслужване, за които ще намерите инструкция в това ръководство. Всички други дейности по техническото обслужване трябва да бъдат извършени от одобрен сервизен център.
 - Това ръководство не може да включва всички ситуации, които биха могли да възникнат при използване на продукта. Бъдете внимателни и действайте разумно. Не работете с продукта и не извършвайте техническо обслужване на същия, ако не сте наясно със ситуацията. За да получите информация, говорете с експерт по продукта,
- Вашия дистрибутор, сервиз или с одобрен сервизен център.
- Разкачете проводника на запалителната свещ преди сглобяване, складиране или техническо обслужване на продукта.
 - Не използвайте продукта, ако е променен спрямо първоначалните му спецификации. Не сменяйте някоя част на продукта без одобрение от производителя. Използвайте само одобрени от производителя части. Неправилното техническо обслужване е възможно да доведе до нараняване или смърт.
 - Не вдъшвайте изпарения от двигателя. Продължителното вдъшване на отработените газове от двигателя е опасно за здравето.
 - Не стартирайте продукта на закрито или близо до запалими материали. Отработените газове са горещи и биха могли да съдържат искри, които да предизвикат пожар. Недостатъчният въздушен поток може да доведе до нараняване или смърт поради задушаване или въглероден окис.
 - Когато използвате този продукт, двигателят създава електромагнитно поле. Електромагнитното поле може да предизвика повреда на медицински импланти. Говорете с Вашия лекар или с производителя на медицинския имплант, преди да започнете работа с продукта.
 - Не позволявайте на деца да работят с продукта. Не позволявайте на лица, които не са запознати с инструкциите, да работят с продукта.
 - Уверете се, че винаги наблюдавате лица с намален физически или умствен капацитет, които използват продукта. През цялото време трябва да присъства отговорен възрастен.
 - Заключете продукта в зона, до която нямат достъп деца и неодобрени лица.
 - Възможно е от продукта да изхвърчат предмети и да причинят наранявания. Спазвайте инструкциите за безопасност, за да намалите опасността от нараняване или смърт.
 - Не се отдалечавайте от продукта, когато двигателят работи.
 - Операторът на продукта е отговорен при възникването на инцидент.
 - Уверете се, че частите не са повредени, преди да използвате продукта.
 - Уверете се, че сте на разстояние от най-малко 15 м (50 ft) от други лица или животни, преди да използвате продукта. Уверете се, че хората, които се намират близо до Вас, са наясно, че ще използвате продукта.
 - Направете справка с националните или местните закони. Те биха могли да предотвратят или ограничат работата на продукта при определени условия.
 - Не използвайте продукта, ако сте уморен(а) или сте под въздействието на алкохол, наркотици или лекарства. Те могат да окажат въздействие върху

Вашето зрение, бдителност, координация или преценка.

Инструкции за безопасност при монтаж



ПРЕДУПРЕЖДЕНИЕ: Прочетете следващите предупредителни указания, преди да използвате продукта.

- Отстранете лулата на запалителната свещ от запалителната свещ, преди да сглобите продукта.
- Използвайте одобрени защитни ръкавици.
- Уверете се, че сте монтирали правилно капака и двусекционния вал, преди да стартирате двигателя.
- Задвижващият диск и опорният фланец трябва да са правилно поставени в централния отвор на режещото оборудване. Неправилно поставеното режещо оборудване може да причини сериозно нараняване или смърт на оператора или други лица.
- За да работите безопасно с продукта и да предотвратите нараняване на оператора или други хора, продуктът винаги трябва да бъде правилно прикрепен към самара.

Инструкции за безопасност за работа



ПРЕДУПРЕЖДЕНИЕ: Прочетете следващите предупредителни указания, преди да използвате машината.

- Уверете се, че продуктът е напълно сглобен, преди да го използвате.
- Преди стартиране преместете продукта на 3 м/10 ft от позицията, където сте заредили резервоара за гориво. Поставете продукта върху плоска повърхност. Уверете се, че режещото оборудване не влиза в допир с почвата или с други предмети.
- Продуктът може да предизвика изхвърляне на предмети, което може да доведе до увреждане на очите. Винаги използвайте одобрени защитни средства за очите, когато работите с продукта.
- Бъдете внимателни – без да знаете, някое дете може да се доближи до продукта, докато той работи.
- Не работете с продукта, ако има хора в работната зона. Спрете продукта, ако в работната зона влезе човек.
- Уверете се, че винаги имате контрол над продукта.
- Не използвайте продукта, ако не можете да получите помощ при възникването на инцидент. Винаги бъдете сигурни, че другите са наясно, че

ще работите с продукта, преди да започнете работа с него.

- Не включвайте продукта, преди да се уверите, че хората и животните са в безопасната зона.
- Отстранете всички нежелани материали от работната зона, преди да започнете работа. Ако режещото оборудване се удари в предмет, той може да бъде изхвърлен и да доведе до нараняване или повреда. Нежеланите материали могат да се увият около режещото оборудване и да доведат до повреда.
- Не използвайте продукта при лошо време (мъгла, дъжд, силни ветрове, опасност от светкавици или други метеорологични условия). Опасни условия (като хлъзгави повърхности) могат да възникнат поради лошо време.
- Уверете се, че можете да се движите свободно и да работите в стабилна позиция. (Фиг. 18)
- Уверете се, че няма да паднете, когато използвате продукта. Не се накланяйте при работа с продукта.
- Винаги дръжте продукта с двете си ръце. Дръжте продукта отдясно на тялото си. (Фиг. 19)

- Работете с продукта с режещото оборудване под нивото на кръста.
- Ако смукачът е в положение "задействан смукач", когато запалите двигателя, режещото оборудване започва да се върти.
- Не докосвайте ъгловата зъбна предавка след спиране на двигателя. Ъгловата зъбна предавка е гореща след спиране на двигателя. Горещите зони могат да причинят нараняване.
- Спрете двигателя, преди да местите продукта.
- Не оставяйте продукта на земята, когато двигателят работи.
- Преди отстраняване на нежелани материали от продукта спрете двигателя и изчакайте, докато режещото оборудване спре. Изчакайте режещото оборудване да спре, преди Вие или Ваш помощник да отстраните изрязания материал.

Лични предпазни средства



ПРЕДУПРЕЖДЕНИЕ: Прочетете следващите предупредителни указания, преди да използвате машината.

- Винаги използвайте правилните лични предпазни средства, когато работите с продукта. Личните предпазни средства не елиминират опасността от нараняване. Личните предпазни средства намаляват степента на нараняване при възникването на инцидент.
- Винаги използвайте одобрени защитни средства за очите, когато работите с продукта.

- Не работете с продукта с голи крака или с отворени обувки. Винаги използвайте устойчиви на плъзгане ботуши за тежък режим на работа.
- Използвайте дълги панталони от здрав плат.
- Ако е необходимо, използвайте одобрени защитни ръкавици.
- Използвайте каска, ако е възможно, за да се предпазите от падащи на главата предмети.
- Винаги използвайте одобрени антифони, когато работите с продукта. Продължителният шум може да доведе до загуба на слуха, причинена от шум.
- Уверете се, че близо до Вас има комплект за първа помощ.

Приспособления за безопасност на машината



ПРЕДУПРЕЖДЕНИЕ: Прочетете следващите предупредителни указания, преди да използвате машината.

- Не използвайте машина с неизправни приспособления за безопасност.
- Проверявайте редовно приспособленията за безопасност. Вижте *Общ преглед на продукта на страница 23*.
- Ако приспособленията за безопасност са дефектни, говорете с Вашия сервиз на Husqvarna.

Блокировка на регулатор за газта

Блокировката на регулатора за газта заключва регулатора за газта.
(Фиг. 20)

Натиснете блокировката на регулатора за газта (А), за да освободите регулатора за газта (В). Когато освободите ръкохватката, блокировката на регулатора за газта и самият регулатор за газта се връщат към първоначалните си позиции.

1. Уверете се, че регулаторът за газта (В) е заключен на празен ход, когато освободите блокировката на регулатора за газта (А).
2. Натиснете блокировката на регулатора за газта (А) и се уверете, че се връща в първоначална позиция, когато я освободите.
3. Натиснете регулатора за газта (В) и се уверете, че се връща в първоначална позиция, когато го освободите.

Запалете двигателя и подайте пълна газ. Освободете регулатора за газта и проверете дали режещото оборудване спира. Ако режещото оборудване се завърти, докато газта е в позиция на празен ход, проверете регулиращия винт на скоростта на празен ход на карбуратора.

Превключвател за спиране

Стартирайте двигателя. Уверете се, че двигателят спира, когато преместите превключвателя за спиране в стоп позиция.

(Фиг. 21)

Предпазител на режещо оборудване

Предпазителят на режещото оборудване предотвратява изхвърляне на свободни предмети по посока на оператора.

(Фиг. 22)

Проверете предпазителя на режещото оборудване за повреда и го сменете, ако е повреден.

Използвайте само одобрен предпазител за режещото оборудване.

Ауспух

- Не използвайте двигател с повреден ауспух. Повреденият ауспух повишава нивото на шума и риска от злополука. Съхранявайте наблизко пожарогасител.
- Редовно проверявайте дали ауспухът е закрепен към продукта.
- Не докосвайте двигателя или ауспуха, когато двигателят е включен. Не докосвайте двигателя или ауспуха известно време след спиране на двигателя. Горещите повърхности могат да причинят нараняване.
- Горещият ауспух може да причини пожар. Бъдете внимателни, ако използвате продукта близо до запалителни течности или изпарения.
- Не докосвайте частите в ауспуха, ако е повреден. Частите могат да съдържат канцерогенни химикали.

Контрагайка

Контрагайката се използва за заключване на някои видове режещо оборудване.

(Фиг. 23)

При монтиране затегнете добре контрагайката в обратна посока на работната посока на режещото оборудване.

Функция за освобождаване на самара



ПРЕДУПРЕЖДЕНИЕ: Не използвайте самара, ако функцията за освобождаване не е изправна. Уверете се, че функцията за освобождаване на самара работи коректно, преди да регулирате продукта.

Функцията за освобождаване на самара се намира отпред на продукта. Ремъците на самара винаги трябва да бъдат в правилната позиция.

(Фиг. 24)

При аварийна ситуация функцията за освобождаване на самара ще Ви помогне да се освободите от продукта по безопасен начин.

Режещо оборудване



ПРЕДУПРЕЖДЕНИЕ: Прочетете следващите предупредителни указания, преди да използвате продукта.

- Извършвайте редовното техническо обслужване. Позволете на одобрен сервизен център да извършва редовна проверка на режещото оборудване за корекции или ремонтни дейности.
 - Производителността на режещото оборудване се повишава.
 - Срокът на експлоатация на режещото оборудване се повишава.
 - Рискът от злополука намалява.
- Използвайте само одобрен предпазител на режещото оборудване. За повече информация вижте *Принадлежности на страница 37*.
- Не използвайте повредено режещо оборудване.

Резци за косене и резци за трева

- Използвайте продукта с одобрен резец за косене. Не използвайте резец за косене, без да са точно монтирани всички необходими части. Уверете се, че монтажът е изпълнен правилно и че са използвани точните части. В резултат на неточния монтаж резецът може да отхвъркне и да нарани сериозно оператора или страничните наблюдатели.
- Носете защитни ръкавици, когато боравите с резеца или извършвате дейност за поддръжката му.
- Използвайте защита за глава, когато работите с продукт, който има резец за косене.
- Резците за косене и резците за трева са предназначени за косене на груба трева.
- Резецът за косене може да причини нараняване, когато продължава да се върти, след като двигателят е спрял или регулаторът на газта е освободен. Уверете се, че резецът за косене е напълно спрял да се върти, преди да изпълните дадена дейност за поддръжка.
- Винаги спирайте двигателя преди работа по някоя част от режещото оборудване. Уверете се, че режещото оборудване е напълно спряло. Разединете кабела от запалителната свещ.
- Използвайте само одобрено режещо оборудване или правилно заточен нож.
- Поддържайте режещите зъбци на ножа правилно заточени. (Фиг. 25)
- Не използвайте повредено режещо оборудване.

- Поставете защита при транспортиране на резеца за косене при транспортиране или съхранение на продукта.

Откат на резеца

- Откат на резеца е внезапно движение на продукта настрани, напред или назад. Откат на резеца настъпва, когато резецът за косене или циркулярът удари предмет, който не може да бъде отрязан. В области, където не е лесно да се вижда рязаният материал, опасността от откат на резеца нараства.
- При откат на резеца съществува опасност продуктът или операторът да се отместят. Отместеният резец може да удари страничните наблюдатели и съществува опасност от нараняване.
- Ако един резец е огънат, напукан, счупен или повреден, го изхвърлете.
- Използвайте заточен резец. Опасността от откат на резеца нараства, когато той не е наточен.

Безопасност при работа с гориво



ПРЕДУПРЕЖДЕНИЕ: Прочетете следващите предупредителни указания, преди да използвате машината.

- Не смесвайте горивото на закрито или близо до източник на топлина.
- Не включвайте продукта, ако върху него има гориво или моторно масло. Отстранете нежеланото гориво/масло и оставете продукта да изсъхне. Отстранете нежеланото гориво от продукта.
- Ако разлеее гориво по дрехите си, сменете ги незабавно.
- Внимавайте да не попадне гориво върху тялото Ви, това може да доведе до телесни увреждания. Ако гориво попадне върху тялото Ви, използвайте сапун и вода, за да го отстраните.
- Не стартирайте двигателя, ако разлеее масло или гориво върху продукта или тялото си.
- Не стартирайте продукта, ако от двигателя има теч. Проверявайте редовно двигателя за течове.
- Внимавайте с горивото. Горивото е запалимо, изпаренията са взривоопасни и могат да причинят телесни увреждания или смърт.
- Не вдъшвайте горивните изпарения, това може да доведе до телесни увреждания. Уверете се, че има достатъчен въздушен поток.
- Не пушете близо до горивото или двигателя.
- Не поставяйте топли предмети близо до горивото или двигателя.
- Не добавяйте гориво, когато двигателят работи.
- Уверете се, че двигателят е изстинал преди зареждане с гориво.

- Преди зареждане с гориво отворете бавно капачката на резервоара за гориво и освободете внимателно налягането.
- Не добавяйте гориво към двигателя на закрито. Недостатъчният въздушен поток може да доведе до нараняване или смърт поради задушаване или въглероден окис.
- Затегнете внимателно капачката на резервоара за гориво или може да възникне пожар.
- Преди да включите двигателя, преместете продукта на най-малко 3 m (10 ft) от мястото, където сте заредили резервоара.
- Не препълвайте резервоара за гориво.
- Уверете се, че няма течове, когато местите продукта или резервоара за гориво.
- Не поставяйте продукта или резервоара за гориво на място, където има открит огън, искри или постоянна малка горелка. Уверете се, че в зоната за съхранение няма открит огън.
- При преместване или съхранение на гориво използвайте само одобрени за целта контейнери.
- Изпразнете резервоара за гориво преди дългосрочно съхранение. Спазвайте местните закони за това къде да изхвърляте горивото.
- Почистете продукта преди дългосрочно съхранение.
- Отстранете проводника на запалителната свещ, преди да оставите продукта за съхранение, за да се уверите, че двигателят няма случайно да се включи.

Инструкции за безопасност при техническо обслужване



ПРЕДУПРЕЖДЕНИЕ: Прочетете следващите предупредителни указания, преди да извършвате техническо обслужване на продукта.

- Извършвайте само посоченото в тази инструкция за експлоатация техническо и сервизно обслужване. Възложете на професионален сервизен персонал извършването на другите сервизни работи и ремонтите.
- Редовно извършвайте описаните в това ръководство за експлоатация проверки за безопасност, техническо и сервизно обслужване. Редовното техническо обслужване увеличава срока на експлоатация на продукта и намалява риска от злополуки. Инструкции можете да видите в *График за техническо обслужване на страница 33*.
- Ако проверките за безопасност в тази инструкция за експлоатация не дадат удовлетворителен резултат, след като извършите техническо обслужване, говорете с дистрибутора по сервизното обслужване. Ние гарантираме, че за Вашия продукт има налични професионални поправки и ремонти.

Монтаж

Въведение



ПРЕДУПРЕЖДЕНИЕ: Преди сглобяване на продукта трябва да прочетете и разберете главата за безопасност.



ПРЕДУПРЕЖДЕНИЕ: Отстранете кабела на запалителната свещ от запалителната свещ, преди да сглобите продукта.

За монтаж на управлението

1. Махнете винта, разположен зад ръкохватката на газта. (Фиг. 26)
2. Преместете ръкохватката на газта отцясно на управлението.
3. Изравнете отвора зад ръкохватката на газта с отвора в управлението.
4. Прекарайте винта през отворите. Завинтете винта.
5. Прикрепете управлението между стрелките на двусекционния вал. Завинтете винта. (Фиг. 27)

Прикрепване на скобата към самара

1. Поставете скобата на самара върху двусекционния вал с ухото на самара над отгоре. Поставете скобата на самара над стрелките върху двусекционния вал.
2. Поставете жилото на газта в жлеба в долната част на скобата на самара.
3. Изравнете отворите за винтове на скобата на самара.
4. Поставете 2 винта в отворите.
5. Затегнете винтовете.

За сглобяване на режещото оборудване

Монтаж на предпазителя на режещото оборудване

1. Поставете предпазителя на режещото оборудване (А) върху двусекционния вал. (Фиг. 28)

2. Поставете скобата (B) в гнездото върху предпазителя на режещото оборудване.
3. Поставете болта (C) през отвора на скобата и в предпазителя на режещото оборудване.

Монтаж на резец за косене

1. Уверете се, че предпазителят на режещото оборудване (A) е монтиран към продукта. Направете справка с *Монтаж на предпазителя на режещото оборудване на страница 29*. (Фиг. 29)
2. Поставете шплинта (B) в отвора, за да заключи двусекционния вал.
3. Поставете ножа (E), сферичната опора (F) и опорния фланец (G) на изходния вал (D).
4. Уверете се, че задвижващият диск (C) е правилно закрепен в централния отвор на резеца за косене. (Фиг. 30)
5. Поставете контрагайката (H) върху изходния вал. Дръжте дръжката на комбинирания гаечен ключ близо до предпазителя на режещото оборудване. Завъртете комбинирания гаечен ключ обратно на

часовниковата стрелка, за да затегнете контрагайката. Завийте контрагайката до 35 – 50 Nm/26 – 36 ft/lb.

6. Отстранете шплинта.

Монтиране на тримерната глава

1. Уверете се, че предпазителят на режещото оборудване (A) е монтиран към продукта. Направете справка с *Монтаж на предпазителя на режещото оборудване на страница 29*. (Фиг. 31)
2. Уверете се, че задвижващият диск (C) е монтиран към изходния вал (D).
3. Поставете шплинта (B) в отвора, за да заключи двусекционния вал.
4. Поставете тримерната глава (E) върху изходния вал.
5. Завъртете тримерната глава обратно на часовниковата стрелка, за да я затегнете към изходния вал. (Фиг. 32)
6. Отстранете шплинта.

Операция

Въведение



ПРЕДУПРЕЖДЕНИЕ: Преди работа с продукта трябва да прочетете и разберете главата за безопасност.

Гориво

Този продукт разполага с двутактов двигател.



ВНИМАНИЕ: Неподходящият тип гориво може да доведе до повреда на двигателя. Използвайте смес от бензин и масло за двутактови двигатели.

Предварително смесено гориво

- За постигане на оптимални работни характеристики и за удължаване на срока на експлоатация използвайте висококачественото алкилатно гориво на Husqvarna. Това гориво съдържа по-малко вредни химикали в сравнение с обикновеното гориво и това намалява вредните отработени газове. С това гориво количеството остатъци след изгарянето е по-ниско, което запазва компонентите на двигателя по-чисти.

За изготвяне на горивна смес

Бензин



ВНИМАНИЕ: Не използвайте бензин с октаново число по-малко от 90 RON (87 AKI). Това може да повреди продукта.



ВНИМАНИЕ: Не използвайте бензин с повече от 10% концентрация на етанол (E10). Това може да повреди продукта.

- Винаги използвайте пресен безоловен бензин с минимално октаново число от 90 RON (87 AKI) и с по-малко от 10% концентрация на етанол (E10).
- Използвайте бензин с по-високо октаново число, ако често използвате продукта при постоянно високи обороти на двигателя.

Масло за двутактов двигател

- За постигане на най-добри резултати и работни характеристики използвайте масло за двутактови двигатели на Husqvarna.
- Ако не разполагате с масло за двутактови двигатели на Husqvarna, използвайте друго висококачествено масло за двутактови двигатели, разработено за двигатели с въздушно охлаждане. Говорете с дистрибутора по сервизното обслужване за избор на точното масло.



ВНИМАНИЕ: Не използвайте масло за извънбордови двутактови двигатели с водно охлаждане, понякога наричано извънбордово масло. Не използвайте масло за четиритактови двигатели.

Смесване на бензин и масло за двутактов двигател

Бензин, литри	Масло за двутактов двигател, литри
	2% (50:1)
5	0,10
10	0,20
15	0,30
20	0,40



ВНИМАНИЕ: Малки грешки могат да повлияят драстично на съотношението в сместа, когато смесвате малки количества гориво. Измервайте внимателно количеството масло, за да сте сигурни, че ще получите правилната смес.

(Фиг. 33)

1. Налейте половината гориво в чист съд за гориво.
2. Добавете цялото количество масло.
3. Разклатете горивната смес.
4. Долейте останалото количество бензин в съда.
5. Разклатете внимателно горивната смес.



ВНИМАНИЕ: Не смесвайте количество гориво, което ще престои повече от 1 месец.

За да добавите гориво

- Винаги използвайте резервоар за гориво с клапан против разливане.
- Ако върху резервоара има гориво, отстранете нежеланото гориво и оставете резервоара да изсъхне.
- Уверете се, че зоната близо до капачката на резервоара за гориво е чиста.
- Разклатете резервоара за гориво, преди да добавите горивната смес към резервоара за гориво.

За да извършите разработване

- През първите 10 часа работа не подавайте за продължително време максимална газ без натоварване.

За стартиране и спиране

Проверка преди старта

1. Уверете се, че продуктът няма липсващи, повредени, разхлабени или износени части.
2. Уверете се, че всички гайки, винтове и болтове са затегнати.
3. Уверете се, че резците за косене и тримерната глава не са повредени.
4. Уверете се, че контрагайката е затегната. Направете справка с *Проверка на контрагайката на страница 34*.
5. Уверете се, че въздушният филтър не е задръстен.
6. Уверете се, че приспособленията за безопасност на продукта не са дефектни.
7. Уверете се, че продуктът няма течове на гориво.

Регулиране на самара



ПРЕДУПРЕЖДЕНИЕ: Продуктът трябва винаги да бъде правилно закачен за самара. Не използвайте дефектен самар.

1. Поставете самара.
2. Свържете продукта със самара.
3. Регулирайте самара за най-добро работно положение.
4. Регулирайте страничните ремъци, за да разпределите равномерно теглото на продукта върху раменете си. (Фиг. 34)
5. Регулирайте самара, докато режещото оборудване застане успоредно на земята.
6. Оставете режещото оборудване да докосва леко земята. Регулирайте скобата на самара, за да балансирате правилно продукта.

Забележка: Ако използвате резец за косене, той трябва да балансира на около 10 cm/4 in над земята.

Стартиране при студен двигател

1. Натиснете купола на горивната помпа 10 пъти. (Фиг. 35)
2. Издърпайте смукача нагоре. (Фиг. 36)
3. Задръжте корпуса на продукта на земята с лявата си ръка. (Фиг. 37) Не стъпвайте върху продукта. Издърпайте бавно дръжката на въжето на стартера, докато усетите известно съпротивление. След това издърпайте въжето за стартиране със сила.

Забележка: Не дърпайте регулатора за газта, докато стартирате двигателя.

4. Продължете да дърпате дръжката на въжето за стартиране, докато двигателя стартира или направи опит за стартиране (макс. 3 издърпвания). При включване или опит на двигателя да се включи, натиснете смукача надолу. Продължете да дърпате, докато двигателят запали. Изчакайте 60 секунди след стартиране, преди да издърпате регулатора за газта.



ВНИМАНИЕ: Не дърпайте въжето за стартиране, докато не спре. Не пускайте въжето за стартиране, когато е разтегнато докрай. Освободете бавно въжето на стартера. Неспазването на тези инструкции може да причини повреда на двигателя.

За стартиране на топъл двигател

1. Натиснете купола на горивната помпа 10 пъти.
2. Издърпайте въжето за стартиране, докато двигателят запали.

Включване на двигателя при прекомерно загрято гориво

Когато продуктът не се включва, е възможно горивото да е твърде загрято.

Забележка: Винаги използвайте неупотребявано гориво, а при топло време намалете продължителността на работа.

1. Поставете продукта на хладно място, далеч от пряка слънчева светлина.
2. Оставете продукта за поне 20 минути, за да се охлади.
3. Натиснете купола на горивната помпа няколко пъти в продължение на 10 – 15 секунди.
4. Следвайте процедурата за стартиране при студен двигател. Направете справка с *Стартиране при студен двигател на страница 31.*

Спиране на работа

- Натиснете превключвателя за спиране, за да спрете двигателя. (Фиг. 21)

Забележка: Превключвателят за спиране автоматично се връща в първоначалното положение.

За работа с тримера за трева



ВНИМАНИЕ: Не забравяйте да понижите оборотите на двигателя до обороти на празния ход след всяка експлоатация. Продължителната работа при пълна газ

без натоварване на двигателя може да доведе до повреда на двигателя.

Забележка: Почистете капака на тримерната глава, когато монтирате нова корда на тример, за да предотвратите вибрации. Проверете другите части на тримерната глава и ги почистете, ако е необходимо.

Кастрене на трева

1. Дръжте тримерната глава непосредствено над земята под ъгъл. Не натискайте кордата на тримера в тревата. (Фиг. 38)
2. Намалете дължината на кордата на тримера с 10 – 12 cm/4 – 4,75 in.
3. Намалете оборотите на двигателя, за да понижите опасността от увреждане на растенията.
4. Използвайте 80% газ, когато режете трева близо до обекти. (Фиг. 39)

Рязане на трева

1. Уверете се, че кордата на тримера за трева е успоредна на земята, когато режете тревата. (Фиг. 40)
2. Не натискайте тримерната глава към земята. Това може да повреди продукта
3. Движете продукта от едната към другата страна, когато режете трева. Дайте пълна газ. (Фиг. 41)

Почистване на трева с резец за косене

1. Ножовете и резците за косене не трябва да се използват за стъбла на дърветата.
2. За всички видове висока или гъста трева се използва нож за косене.
3. Тревата се коси с маховидно странично движение, като при движение от дясно наляво се коси, а движението от ляво надясно е обратен ход. За косене се използва лявата страна на ножа (от 8 до 12 часа).
4. При наклон на ножа наляво, когато косите трева, тя се събира на една линия, което улеснява прибирането ѝ, например с гребло.
5. Опитайте да работите ритмично. Застанете стабилно в лек разкряч. Придвижването напред се извършва след въртящото движение, като след това заставате отново стабилно.
6. Опорната чашка се допира леко до земята. Тя служи за предпазване на ножа от удяне в земята.
7. Намалете опасността от захващане на материал около резеца, като винаги работите с пълна газ и избягвате вече отрязания материал по време на обратния ход.

- 8. Спрете двигателя, откачете самара и поставете машината на земята, преди да започнете да събирате отрязания материал.

Тримерна глава за трева

- Не забравяйте да навиете кордата на тримера за трева здраво и равномерно около барабана, за да намалите вибрациите.
- Използвайте само одобрени тримерни глави за трева и корди на тример за трева. Вижте *Принадлежности на страница 37*.
- Използвайте корда на тример за трева с правилна дължина. Дългата корда на тример за трева използва повече мощност на двигателя в сравнение с късата корда на тример за глава.
- Уверете се, че резецът на предпазителя на режещото оборудване не е повреден.

- Потопете кордата на тримера за трева във вода в продължение на 2 дни, преди да закрепите кордата на тримера за трева към продукта. Това повишава срока на експлоатация на кордата на тримера за трева.

За смяна на кордата на тримера

- (Фиг. 42)
- (Фиг. 43)
- (Фиг. 44)
- (Фиг. 45)
- (Фиг. 46)
- (Фиг. 47)
- (Фиг. 48)
- (Фиг. 49)

Поддръжка

Въведение



ПРЕДУПРЕЖДЕНИЕ: Преди да извършите техническо обслужване, трябва да прочетете и разберете раздела за безопасност.

За всички работи по поддръжката и поправката на продукта е необходимо специално обучение. Осигуряваме предлагане на професионални ремонти и обслужване. Ако Вашият дилър не предлага сервизно обслужване, говорете с него, за да Ви даде информация за най-близкия сервиз.

График за техническо обслужване

Седмично техническо обслужване

- Почистете външните повърхности.
- Уверете се, че режещото оборудване не се движи при обороти на празен ход. Направете справка с *Регулиране на оборотите на празния ход на страница 33*.
- Проверете нивото на греста в ъгловата зъбна предавка. Направете справка с *За да добавите грес към ъгловата зъбна предавка на страница 34*.
- Проверете контрагайката. Направете справка с *Проверка на контрагайката на страница 34*.

Месечно техническо обслужване

- Уверете се, че дръжката на стартерното въже и стартерното въже не са повредени.

Ежегодно обслужване

- Проверете запалителната свещ. Направете справка с *За проверка на запалителната свещ на страница 34*.
- Почистете външните повърхности на карбуратора и зоните около него.

- Почистете системата за охлаждане.
- Проверете искрогасителната мрежа. Направете справка с *За да направите техническо обслужване на искрогасителния екран на страница 33*.
- Проверете горивния филтър.
- Уверете се, че маркучът за горивото не е повреден.
- Уверете се, че проводниците и връзките на продукта не са повредени.

Регулиране на оборотите на празния ход

- Уверете се, че въздушният филтър е чист и капаکت на въздушния филтър е закрепен, преди да регулирате оборотите на празния ход.
 - Регулирайте оборотите на празния ход с регулиращия винт, означен със знака "T".
 - Оборотите на празния ход са правилни, когато двигателят работи плавно във всяко положение. Оборотите на празния ход трябва да бъдат под оборотите, при които режещото оборудване започва да се върти.
1. Завъртете регулиращия винт на оборотите по часовниковата стрелка, докато режещото оборудване започне да се върти. (Фиг. 50)
 2. Завъртете регулиращия винт на оборотите обратно на часовниковата стрелка, докато режещото оборудване спре.

За да направите техническо обслужване на искрогасителния екран

Използвайте телена четка за почистване на искрогасителния екран. (Фиг. 51)

За почистване на системата за охлаждане

Почистете частите на системата за охлаждане с четка.

(Фиг. 52)

За проверка на запалителната свещ



ВНИМАНИЕ: Използвайте препоръчаната запалителна свещ. Уверете се, че резервната част е същата като предоставената от производителя част. Използването на запалителна свещ от неправилен тип може да повреди продукта.

1. Проверете запалителната свещ, когато:
 - a) мощността на двигателя е ниска.
 - b) двигателят не може да запали лесно.
 - c) двигателят не работи правилно при обороти на празния ход.
2. Ако не можете лесно да запалите или да работите с двигателя, проверете запалителната свещ за нежелани материали. За да намалите опасността от нежелани материали върху електродите на запалителната свещ:
 - a) уверете се, че оборотите на празния ход са правилно регулирани.
 - b) уверете се, че горивната смес е правилна.
 - c) уверете се, че въздушният филтър е чист.
3. Почистете запалителната свещ, ако е замърсена. Проверете, че разстоянието между електродите е правилно. (Фиг. 53)
4. Подменете запалителната свещ, когато е необходимо.

За да извършвате техническо обслужване на въздушния филтър

Почистване на въздушния филтър

1. Свалете капака на въздушния филтър и самия въздушен филтър. (Фиг. 54)
2. Почистете въздушния филтър с топла сапунена вода. Уверете се, че въздушният филтър е сух, преди да го монтирате.
3. Сменете въздушния филтър, ако е прекалено замърсен за пълно почистване. Винаги заменяйте повреден въздушен филтър.
4. Ако продуктът Ви разполага с пенест въздушен филтър, нанесете масло за въздушен филтър. Нанасяйте масло за въздушен филтър само

върху пенест филтър. Не нанасяйте масло върху филтър Felt.

За нанасяне на масло за въздушен филтър върху въздушния филтър



ВНИМАНИЕ: Винаги използвайте специално масло за въздушен филтър върху пенестите въздушни филтри. Не използвайте други типове масла.



ПРЕДУПРЕЖДЕНИЕ: Не нанасяйте масло върху тялото си.

1. Свалете капака на въздушния филтър и самия въздушен филтър. (Фиг. 55)
2. Поставете въздушния филтър в найлонова торбичка.
3. Поставете маслото на въздушния филтър в найлоновата торбичка. (Фиг. 56)
4. Натиснете найлоновата торбичка, за да се уверите, че маслото е нанесено равномерно върху въздушния филтър.
5. Натиснете въздушния филтър, докато е в торбичката, за да отстраните маслото за въздушния филтър, което не е необходимо. Отстранете въздушния филтър от торбичката.
6. Монтирайте въздушния филтър.

За да добавите грес към ъгловата зъбна предавка

Уверете се, че ъгловата зъбна предавка е напълнена с 3/4 грес за ъглова зъбна предавка. (Фиг. 57)

Проверка на контрагайката



ВНИМАНИЕ: Сменяйте контрагайката след всеки 10 употреби.

1. Завъртете контрагайката обратно на часовниковата стрелка, за да я затегнете. Завъртете контрагайката по часовниковата стрелка, за да я отстраните. (Фиг. 58)
2. Уверете се, че не можете да завъртите на ръка найлоновото вътрешно покритие на контрагайката. Найлоновото вътрешно покритие трябва да осигурява минимално съпротивление 1,5 Nm/1,1 ft/lb.
3. Завийте контрагайката до 35 – 50 Nm/26 – 36 ft/lb, ако съпротивлението е под минималното.



ВНИМАНИЕ: Ако затегнете контрагайката твърде много, може да причините повреда на резбите.

За заточване на резци за трева и резци за косене



ПРЕДУПРЕЖДЕНИЕ: Спрете двигателя. Използвайте защитни ръкавици.

- За правилно заточване на резци за трева и резци за косене вижте инструкциите, които идват с режещото оборудване.

- Заточете равномерно всички краища за поддържане на баланса.
- Използвайте плоска пила. (Фиг. 59)



ПРЕДУПРЕЖДЕНИЕ: Винаги изхвърляйте повреден нож. Не се опитвайте да изправяте огънат нож и да го използвате отново.

Отстраняване на проблеми

Двигателят не се стартира

Проверете	Възможна причина	Процедура
Превключвател за спиране.	Ключът за спиране е в положение за спиране.	Поставете превключвателя за спиране в стартово положение.
Зъбци на стартера.	Зъбците на стартера не могат да се движат свободно.	Отстранете капака на стартера и почистете около зъбците на стартера. Поискайте помощ от оторизиран сервиз.
Резервоар за гориво.	Неправилен тип гориво.	Източете резервоара за гориво и напълнете с правилното гориво.
Запалителна свещ.	Запалителната свещ е замърсена или влажна.	Уверете се, че запалителната свещ е суха и чиста.
	Разстоянието между електродите на запалителната свещ е неправилно.	Почистете запалителната свещ. Уверете се, че разстоянието между електродите е правилно. Уверете се, че към запалителната свещ има монтиран супресор. Направете справка с техническите характеристики за правилно разстояние между електродите.
	Запалителната свещ е разхлабена.	Затегнете запалителната свещ.

Двигателят стартира, но спира отново

Проверете	Възможна причина	Процедура
Резервоар за гориво	Неправилен тип гориво.	Изпразнете резервоара за гориво и напълнете с правилното гориво.
Въздушен филтър	Въздушният филтър е задръстен.	Почистете въздушния филтър.

Транспортиране, съхранение и изхвърляне

Транспорт и съхранение

- Оставете продукта да се охлади преди транспортиране или съхранение.
- Отстранете капачката на запалителната свещ преди дълго съхранение.
- Закрепете продукта преди транспортиране. Уверете се, че не може да се движи.

- Уверете се, че няма опасност от изтичане на гориво, горивни изпарения, искри или пламъци по време на транспортиране и съхранение.
- Закрепете защитата при транспортиране по време на транспортиране и съхранение.
- Почистете и извършете обслужване на продукта преди съхранение за дълъг период.

Технически данни

Технически характеристики

	325R A05328CBHV
Двигател	
Обем на цилиндъра, cm ³	27,6
Обороти на празния ход, об/мин	2800 – 3200
Препоръчвани макс. обороти, об/мин	8000
Мощност/макс. мощност на двигателя съгласно ISO 8893, kW/hp при об/мин	0,9/1,2 при 8000
Заглушител на катализатора	Да
Скорост на изходния вал, об/мин	7200
Запалителна система	
Запалителна свещ	Husqvarna HQT-4
Разстояние между електродите, mm	0,5
Горивна система	
Вместимост на резервоара за гориво, l/cm ³	0,343/343
Размери на продукта	
Тегло, kg	5,5
Шумови емисии⁴	
Ниво на звуковата мощност, измерено, оборудване с резец за косене, dB (A)	108
Ниво на звуковата мощност, измерено, оборудване с тримерна глава, dB (A)	110

⁴ Шумови емисии в околната среда, измерени като звукова мощност (L_{WA}) в съответствие с директива на ЕО 2000/14/ЕО. Отчетеното ниво на шум за продукта е измерено с оригиналното режещо оборудване, което създава най-високото ниво. Разликата между гарантираното и измереното ниво на шума е в това, че гарантираното ниво на шума включва също и дисперсията в резултата от измерването, както и вариациите между различните продукти от един и същи модел в съответствие с Директива 2000/14/ЕО.

	325R A05328CBHV
Ниво на звуковата мощност, гарантирано (L_{WA}), оборудване с резец за косене, dB (A)	112
Ниво на звуковата мощност, гарантирано (L_{WA}), оборудване с тримерна глава, dB (A)	114
Нива на шума⁵	
Ниво на звуково налягане при ухото на оператора, оборудване с резец за косене, dB(A)	96
Ниво на звуково налягане при ухото на оператора, оборудване с тримерна глава, dB(A)	95
Нива на вибрациите⁶	
Еквивалентно ниво на вибрациите (a_{hv} , eq), оборудване с резец за косене, лява дръжка, m/s^2	5,1
Еквивалентно ниво на вибрациите (a_{hv} , eq), оборудване с резец за косене, дясна дръжка, m/s^2	5,7
Еквивалентно ниво на вибрациите (a_{hv} , eq), оборудване с тримерна глава, лява дръжка, m/s^2	4,1
Еквивалентно ниво на вибрациите (a_{hv} , eq), с оборудване с тримерна глава, дясна дръжка, m/s^2	4,9

Принадлежности

Принадлежности

Одобрени приспособления	Тип	Предпазител на режещо оборудване
Двусекционен вал с резба	M10L	
Тримерна глава	T35, 2,4 mm	588 11 79-01
Резец за косене	Grass 255-4, Ø 250	588 11 79-01

⁵ Отчетените данни за еквивалентното ниво на звуковото налягане за продукта имат типична статистическа дисперсия (стандартно отклонение) от 1 dB (A).

⁶ Отчетените данни за еквивалентното ниво на вибрациите имат типична статистическа дисперсия (стандартно отклонение) от 1 m/s^2 .

Декларация за съответствие на ЕО

Съдържание на ЕО декларацията за съответствие

Ние, Husqvarna AB, SE 561 82 Huskvarna, ШВЕЦИЯ, декларираме на своя собствена отговорност, че представеният продукт:

Доставените бензинов тример за трева/храсторез съответстват на образеца, подложен на контрол.

Описание	Бензинов тример за трева/храсторез
Марка	Husqvarna
Платформа/вид/модел	Платформа A05328CBHV, представляваща модел 325R.
Партида	Сериен номер, датиращ от 2018 г. нататък.

отговаря напълно на следните директиви и регламенти на ЕС:

Директива/регламент	Описание
2006/42/ЕО	"относно машините"
2014/30/ЕС	"относно електромагнитната съвместимост"
2000/14/ЕО	"относно шума на открито"
2011/65/ЕС	"ограничения за използване на определени опасни вещества"

Приложените хармонизирани стандарти и/или технически спецификации са следните: EN ISO 12100, EN ISO 11806-1, CISPR 12, ISO 14982, EN 50581:2012.

В съответствие с Директива 2000/14/ЕО, приложение V, декларираните звукови стойности са посочени в раздела за технически характеристики на тази инструкция за експлоатация и в подписаната Декларация за съответствие на ЕО.

TÜV Rheinland N.A. извърши доброволен контрол от името на Husqvarna AB и изготви Сертификат за съответствие с Директива 2006/42/ЕО на Съвета относно машините.

Сертификатът, както е предвиден в подписаната Декларация за съответствие на ЕО, се прилага за всички места на производство и държави на произход, както е посочено на продукта.

Sadržaj

Uvod.....	39	Rješavanje problema.....	49
Sigurnost.....	40	Transport, skladištenje i odbacivanje.....	50
Sastavljanje.....	44	Tehnički podaci.....	50
Rukovanje.....	45	Pribor.....	51
Održavanje.....	47	Izjava EK o usklađenosti.....	52

Uvod

Priručnik za rad

Inicijalni jezik priručnika za rad je engleski. Priručnici za rad na drugim jezicima su prijevodi s engleskog.

Namjena

Koristite proizvod sa sječivom za travu ili trimenom za podrezivanje različitih vrsta rastinja.

Pregled proizvoda

(Sl. 1)

1. Glava za podrezivanje
2. Kapa dijela za sipanje maziva
3. Konusni pogon
4. Zaštitnik reznog dodatka
5. Vrat
6. Prekidač za zaustavljanje
7. Poluga gasa
8. Blokada poluge gasa
9. Ručka
10. Kvaka remena
11. Kućište startera
12. Kapica svječiće, svječića
13. Ručka konopa za paljenje
14. Rezervoar za gorivo
15. Poklopac filtera za zrak
16. Sijalica pumpice za istiskivanje zraka
17. Ručica za čok
18. Dio za podešavanje ručke
19. Žica gasa
20. Dugme za brzi prazan hod
21. Remen
22. Kombinirani ključ
23. Priručnik za rad
24. Štitnik za transport
25. Nož
26. Prsten ležaja
27. Potporni obrub
28. Matica
29. Pogonska ploča

Napomena: Državni propisi mogu postaviti ograničenja za rukovanje proizvodom.

30. Igla za zabravljivanje
31. Zvezdasti ključ

Simboli na proizvodu

- (Sl. 2) UPOZORENJE! Ovaj proizvod je opasan. Ukoliko se proizvod ne koristi pažljivo i na pravilan način, može doći do povrede ili smrti rukovaoca ili osobe koja stoji u blizini. Da biste spriječili povrede rukovaoca ili osoba koje stoje u blizini, pročitajte i poštujujte sva uputstva o sigurnosti koja su data u priručniku za rad.
- (Sl. 3) Prije upotrebe pažljivo pročitajte priručnik za rad rukovaoca i vodite računa da vam upute budu jasne.
- (Sl. 4) Koristite zaštitnu kacigu na mjestima na kojim predmeti mogu pasti na vas. Koristite odobrenu zaštitu za uši. Koristite odobrenu zaštitu za oči.
- (Sl. 5) Koristite odobrene zaštitne rukavice.
- (Sl. 6) Koristite robusne protuklizne čizme.
- (Sl. 7) Strelce pokazuju ograničenja za položaj ručke.
- (Sl. 8) Proizvod može uzrokovati izbacivanje predmeta, što može izazvati povrede.
- (Sl. 9) Maksimalna brzina izlaznog vratila.
- (Sl. 10) Za vrijeme rukovanja proizvodom budite udaljeni od osoba i životinja najmanje 15 m / 50 stopa.

- (Sl. 11) Postoji rizik od izbacivanja oštrice ukoliko oprema za rezanje dodirne predmet kojeg ne može odmah prerezati. Proizvod može otkinuti dijelove tijela. Za vrijeme rukovanja proizvodom budite udaljeni od osoba i životinja najmanje 15 m / 50 stopa.
- (Sl. 12) Kuglica pumpice za istiskivanje zraka.
- (Sl. 13) Čok.
- (Sl. 14) Sve dijelove tijela držite podalje od vrućih površina.
- (Sl. 15) Emisija buke u okoliš je u skladu s Direktivom Evropske zajednice. Emisija proizvoda je navedena u poglavlju Tehnički podaci i na naljepnici.
- (Sl. 16) Proizvod je usklađen s važećim direktivama EZ.
- (Sl. 17) Proizvod je u skladu s važećim EAC direktivama.

Na pločici s oznakom kategorije je prikazan serijski broj. **yyyy** je godina proizvodnje, **ww** je sedmica proizvodnje, a **xxxxx** je serijski broj.

yyyywwxxxxx

Napomena: Drugi simboli/naljepnice na proizvodu odnose se na zahtjeve certifikacije za druga komercijalna područja.

Odgovornost za proizvod

Kao što je navedeno u zakonima o odgovornosti za proizvod, mi nismo odgovorni za oštećenja koja uzrokuje naš proizvod ako:

- je proizvod pogrešno popravljen.
- je proizvod popravljen koristeći dijelove koji nisu od proizvođača ili koji nisu odobreni od strane proizvođača.
- proizvod ima dodatnu opremu koju nije napravio proizvođač ili koju proizvođač ne odobrava.
- proizvod nije popravljen u nekom od odobrenih servisa ili od strane odobrenog tijela.

EU V



UPOZORENJE: Neovlaštenim otvaranjem proizvoda poništava se EU odobrenje tipa ovog proizvoda.

Sigurnost

Definicije sigurnosti

Upozorenja, pozivi na oprez i napomene se koriste za isticanje naročito važnih dijelova priručnika.



UPOZORENJE: Koriste se ukoliko postoji opasnost od povrede ili smrti rukovaoca ili osoba u blizini ako se uputstva iz priručnika ne poštuju.



OPREZ: Koriste se ukoliko postoji opasnost od oštećenja proizvoda, drugih materijala ili neposrednog okruženja ako se uputstva iz priručnika ne poštuju.

Napomena: Koriste se za pružanje više informacija koje su neophodne u datoj situaciji.

Sigurnost od vibracija

Proizvod je samo za povremeni rad. Neprekidnim i redovnim korištenjem ovog proizvoda mogu nastati "bjelji prsti" ili slični zdravstveni problemi uzrokovani vibracijama. Ukoliko neprekidno ili redovno koristite ovaj proizvod pregledajte stanje šaka i prstiju. Ukoliko na šakama ili prstima primjetite bljedilo, osjetite bolove, trnce ili trnjenje, prestanite raditi i odmah se obratite ljekaru.

Opće sigurnosne upute



UPOZORENJE: Prije upotrebe proizvoda pročitajte upozorenja u nastavku.

- Koristite proizvod na pravilan način. Povreda ili smrt je moguć ishod nepravilnog korištenja. Proizvod koristite samo za poslove koji su navedeni u ovom

priručniku. Nemojte koristiti proizvod za druge poslove.

- Poštujte uputstva iz ovog priručnika. Poštujte sigurnosne simbole i sigurnosna uputstva. Ako operater ne poštuje uputstva i simbole, povreda, oštećenje ili smrt su mogući ishodi.
- Nemojte bacati ovaj priručnik. Koristite uputstva da sastavite, rukujete i održavate svoj proizvod u dobrom stanju. Koristite uputstva da biste pravilno ugradili priključke i dodatke. Koristite samo odobrene priključke i dodatke.
- Nemojte koristiti oštećen proizvod. Poštujte raspored održavanja. Obavljajte samo one radove na održavanju za koje pronađete uputstva u ovom priručniku. Sve druge radove na održavanju mora obavljati ovlašteni servisni centar.
- Ovaj priručnik ne može uključivati sve situacije koje se mogu desiti kada koristite proizvod. Budite oprezni i koristite svoj zdrav razum. Nemojte rukovati proizvodom ili obavljati radove na održavanju proizvoda ako niste upoznati sa stanjem. Za informacije se obratite stručnjaku za proizvod, svom trgovcu, servisnom zastupniku ili ovlaštenom servisnom centru.
- Isključite kabl svjećice prije nego što sastavite proizvod, odložite proizvod na skladište ili prije radova na održavanju.
- Nemojte koristiti proizvod ako je promijenjen od svoje inicijalne specifikacije. Nemojte mijenjati dio proizvoda bez odobrenja od proizvođača. Koristite samo dijelove koje je odobrio proizvođač. Povreda ili smrt je moguć ishod nepravilnog održavanja.
- Nemojte udisati pare iz motora. Dugotrajno udisanje ispušnih para motora opasno je po zdravlje.
- Nemojte pokretati proizvod u zatvorenom prostoru ili u blizini zapaljivih materijala. Izduvne pare su vruće i mogu sadržavati iskre koje mogu izazvati požar. Nedovoljan protok zraka može izazvati povredu ili smrt zbog nedostatka kisika ili ugljičnog monoksida.
- Kada koristite ovaj proizvod, motor stvara elektromagnetno polje. Elektromagnetno polje može izazvati oštećenje na medicinskim implantatima. Porazgovarajte s ljekarom i proizvođačem medicinskog implantata prije rada s proizvodom.
- Nemojte dopustiti da dijete rukuje proizvodom. Nemojte dopustiti osobi bez znanja o uputstvima da rukuje proizvodom.
- Uvjerite se da uvijek nadgledate osobu, sa smanjenim fizičkim kapacitetom ili mentalnim sposobnostima, koja koristi proizvod. Odgovorna osoba mora biti prisutna cijelo vrijeme.
- Zaključajte proizvod u području koje nije pristupačno djeci i neovlaštenim osobama.
- Proizvod može izbaciti predmete i izazvati povrede. Poštujte sigurnosna uputstva da biste smanjili opasnost od povrede ili smrti.
- Nemojte napuštati proizvod dok je motor uključen.
- Rukovalac proizvodom je odgovoran ako dođe do nezgoda.

- Prije korištenja proizvoda, uvjerite se da dijelovi nisu oštećeni.
- Vodite računa da ste udaljeni najmanje 15 m (50 stopa) od drugih osoba ili životinja prije korištenja proizvoda. Vodite računa da osobe koja su u blizini budu upoznate da ćete koristiti proizvod.
- Pogledajte državne ili lokalne zakone. Oni mogu spriječiti ili smanjiti rad proizvoda u nekim uslovima.
- Nemojte koristiti proizvod kada ste umorni ili pod dejstvom alkohola, droga ili lijekova. Oni mogu uticati na vaš vid, opreznost, koordinaciju i rasuđivanje.

Sigurnosna uputstva za sklapanje



UPOZORENJE: Prije upotrebe proizvoda pročitajte upozorenja u nastavku.

- Prije sklapanja proizvoda sa svjećice uklonite kapicu svjećice.
- Koristite odobrene zaštitne rukavice.
- Vodite računa da prije pokretanja motora ispravno spojite poklopac i vratilo.
- Pogonska ploča i priрубnica nosača moraju se ispravno pričvrstiti u središnji otvor reznog dodatka. Neispravno pričvršćen rezni dodatak može izazvati ozbiljne tjelesne povrede ili smrt rukovaoca ili drugih osoba.
- Za siguran rad s proizvodom i sprječavanje povreda rukovaoca ili drugih osoba, spojnik mora uvijek biti ispravno spojen za naramenice.

Sigurnosna uputstva za rad



UPOZORENJE: Prije upotrebe proizvoda pročitajte upozorenja u nastavku.

- Uvjerite se da je proizvod u potpunosti sastavljen prije korištenja istog.
- Prije početka, pomjerite proizvod na udaljenost od 3 m / 10 stopa od položaja gdje punite gorivo. Postavite proizvod na ravnu površinu. Uvjerite se da rezni dodatak ne dodiruje tlo ili druge predmete.
- Proizvod može uzrokovati izbacivanje predmeta, što može izazvati povrede očiju. Uvijek koristite odobrenu zaštitu za oči kada rukujete proizvodom.
- Budite oprezni, dijete može doći u blizinu proizvoda bez vašeg znanja tokom rada.
- Nemojte rukovati proizvodom ako se u radnom području nalaze osobe. Zaustavite proizvod ako osoba uđe u radno područje.
- Uvjerite se da uvijek imate kontrolu nad proizvodom.
- Nemojte koristiti proizvod ako ne možete primiti pomoć u slučaju da se dogodi nezgoda. Uvijek osigurajte da drugi znaju da ćete rukovati proizvodom prije nego što pođete raditi s proizvodom.

- Nemojte se okretati s proizvodom prije nego što se uvjerite da nema osoba ili životinja u sigurnosnom području.
- Uklonite sve neželjene materijale iz radnog područja prije nego počnete s radom. Ako rezni dodatak udari u neki predmet, taj predmet se može izbaciti iz proizvoda i izazvati povredu ili oštećenje. Neželjeni materijal se može okretati oko reznog dodatka i izazvati oštećenje.
- Nemojte koristiti proizvod pod lošim vremenskim uslovima (magla, kiša, jak vjetar, opasnosti od groma ili drugi vremenski uslovi) Opasni uslovi (kao što je klizava površina) se mogu pojaviti uslijed lošeg vremena.
- Provjerite možete li se slobodno kretati u stabilnom položaju.

(Sl. 18)

- Uvjerite se da ne možete pasti kada koristiti proizvod. Nemojte se naginjati kada rukujete proizvodom.
- Uvijek držite proizvod s dvije ruke. Proizvod držite s desne strane svog tijela.

Lična zaštitna oprema



UPOZORENJE: Prije upotrebe proizvoda pročitatite upozorenja u nastavku.

- Uvijek koristite pravilnu opremu za ličnu zaštitu kada rukujete proizvodom. Oprema za ličnu zaštitu ne eliminiše opasnost od povrede. Oprema za ličnu zaštitu smanjuje stepen povrede ako se nezgoda desi.
- Uvijek koristite odobrenu zaštitu za oči dok rukujete proizvodom.
- Nemojte rukovati proizvodom bosim stopalima ili u obući otvorenog tipa. Uvijek koristite robusne protuklizne čizme.
- Koristite jake, duge hlače.
- Ako je potrebno, koristite odobrene zaštitne rukavice.
- Koristite kacigu ako postoji mogućnost pada predmeta na glavu.

- Uvijek koristite odobrenu zaštitu za uši dok rukujete proizvodom. Buka tokom dužeg perioda može izazvati gubitak sluha uzrokovan bukom.
- Osigurajte da u blizini imate pribor prve pomoći.

Sigurnosna sredstva na proizvodu



UPOZORENJE: Prije upotrebe proizvoda pročitatite upozorenja u nastavku.

- Nemojte koristiti proizvod s neispravnim sigurnosnim sredstvima.
- Redovno proveravajte sigurnosna sredstva. Pogledajte *Pregled proizvoda na strani 39*.
- Ukoliko sigurnosno sredstvo nije ispravno, obratite se svom Husqvarna zastupniku servisa.

Blokada poluge gasa

Isključivanjem poluge gasa zaključava se poluga gasa. (Sl. 20)

Pritisnite za isključivanje poluge gasa (A) da oslobodite polugu gasa (B). Kada oslobodite ručku, isključivanje poluga gasa se vraća nazad u svoj početni položaj.

1. Uvjerite se da je poluga gasa (B) zaključana u stanju mirovanja kada oslobodite isključivanje poluge gasa (A).
2. Pritisnite za isključivanje poluge gasa (A) i uvjerite se da se ona vraća u svoj početni položaj kada je oslobodite.
3. Pritisnite polugu gasa (A) i uvjerite se da se ona vraća u svoj početni položaj kada je oslobodite.

Pokrenite motor i potom dajte puni gas. Oslobodite polugu gasa i ispitajte da li se rezni dodatak zaustavlja. Ako se rezni dodatak okreće s gasom u položaju mirovanja, ispitajte vijak za podešavanje u stanju mirovanja u karburatoru.

Prekidač za zaustavljanje

Pokrenite motor. Provjerite da li se motor zaustavlja kada prekidač za zaustavljanje pomjerite u položaj za zaustavljanje.

(Sl. 21)

Zaštitnik reznog dodatka

Zaštitnik reznog dodatka sprečava da se labavi dijelovi izbace u smjeru rukovaoca.

(Sl. 22)

Ispitajte zaštitnik reznog dodatka radi oštećenja i zamijenite ga ako je oštećen. Koristite samo odobrene zaštitnike za rezni dodatak.

Auspuh

- Nemojte koristiti motor s oštećenim auspuhom. Oštećeni auspuh povećava nivo buke i opasnost od požara. Držite aparat za gašenje požara u blizini.

- Redovno provjeravajte da je auspuh pričvršćen za proizvod.
- Nemojte dodirivati motor ili auspuh kada je motor uključen. Nemojte dodirivati motor ili auspuh tokom nekog vremena nakon što se motor zaustavi. Vruće površine mogu izazvati povredu.
- Vrući auspuh može izazvati požar. Budite oprezni, ako koristite proizvod u blizini zapaljivih tečnosti ili para.
- Nemojte dodirivati dijelove na auspuhu, ako je auspuh oštećen. Dijelovi mogu sadržavati neke kancerogene hemikalije.

Matica

Matica se koristi za zaključavanje nekih vrsta dodataka za rezanje.

(Sl. 23)

Prilikom postavljanja matice pritegnite je u smjeru suprotnom od smjera rada dodatka za rezanje.

Funkcija otpuštanja pojasa



UPOZORENJE: Nemojte koristiti pojas ako je funkcija otpuštanja u kvaru. Provjerite da li funkcija otpuštanja pojasa radi pravilno prilikom podešavanja proizvoda.

Funkcija otpuštanja pojasa nalazi se na prednjem dijelu proizvoda. Trake pojaseva uvijek moraju biti u pravilnom položaju.

(Sl. 24)

U hitnoj situaciji, funkcija otpuštanja pojasa vam pomaže da se na siguran način odvojite od proizvoda.

Rezni dodatak



UPOZORENJE: Prije upotrebe proizvoda pročitajte upozorenja u nastavku.

- Obavljajte redovno održavanje. Dopustite ovlaštenom servisnom centru da redovno ispituju rezni dodatak kako bi obavili prilagođavanja ili popravke.
 - Performanse reznog dodatka se time povećavaju.
 - Životni vijek reznog dodatka se time povećava.
 - Opasnost od nezgoda se smanjuje.
- Koristite samo odobreni zaštitnik reznog dodatka. Za više informacija, pogledajte *Pribor na strani 51*.
- Nemojte koristiti oštećen rezni dodatak.

Noževi za travu i rezači trave

- Koristite proizvod s odobrenim nožem za travu. Ne koristite nož za travu prije nego što na odgovarajući način postavite sve obavezne dijelove. Provjerite da li je instalacija obavljena pravilno te da li su korišteni

odgovarajući dijelovi. Nepravilnom instalacijom može se prouzrokovati spadanje noža, kao i teške povrede operatera ili prolaznika.

- Prilikom rukovanja nožem ili njegovog održavanja nosite zaštitne rukavice.
- Koristite opremu za zaštitu glave prilikom rukovanja s proizvodom koji ima nož za travu.
- Noževi za travu i sječiva za travu su namijenjena za rezanje grube trave.
- Nož za travu može izazvati povrede dok se nastavlja vrtiti nakon zaustavljanja motora ili puštanja ili puštanja regulatora gasa. Prije bilo kakvih radnji održavanja, provjerite da li se nož za travu potpuno zaustavi.
- Zaustavite motor prije obavljanja bilo kakvog posla na dodatku za rezanje. Pazite da se dodatak za rezanje potpuno zaustavi. Isključite kabl iz svjećice.
- Koristite isključivo odobreni dodatak za rezanje ili pravilno naoštreni nož.
- Zupce noža održavajte ispravno naoštrenim. (Sl. 25)
- Nemojte koristiti oštećen rezni dodatak.
- Postavite štitnik za transport na nož za travu prilikom transportiranja ili skladištenja proizvoda.

Povratni udar noža

- Povratni udar noža je iznenadni iznenadni kretanje proizvoda ustranu, naprijed ili nazad. Povratni udar noža dešava se kada nož za travu ili sječivo noža udari u predmet koji se ne može rezati. U situacijama u kojima nije lako vidjeti materijal koji se reže rizik od povratnog udara noža se povećava.
- Kada dođe do povratnog udara noža, postoji rizik da se proizvod ili operater pomjere iz položaja. Nož za travu u pokretu može pogoditi prolaznike i postoji rizik od povreda.
- Ako je nož iskrivljen, napuknut, slomljen ili oštećen, bacite ga.
- Koristite oštar nož. Rizik od povratnog udara noža se povećava kada nož nije naoštren.

Sigurnosne mjere pri rukovanju s gorivom



UPOZORENJE: Prije upotrebe proizvoda pročitajte upozorenja u nastavku.

- Nemojte miješati gorivo u zatvorenoj prostoriji ili u blizini izvora toplote.
- Nemojte pokretati proizvod ako u proizvodu ima goriva ili motornog ulja na proizvodu. Odstranite neželjeno gorivo/ulje i dopustite da se proizvod osuši. Odstranite neželjeno gorivo s proizvoda.
- Ako proljetete gorivo po odjeći, odmah presvucite odjeću.
- Nemojte dopustiti da gorivo dospje na tijelo, to može izazvati povredu. Ako gorivo dospje na odjeću, koristite sapun i vodu da odstranite gorivo.

- Nemojte pokretati motor ako prolijete ulje ili gorivo po proizvodu ili po svom tijelu.
- Nemojte pokretati proizvod ako se na motoru javlja curenje. Redovno provjeravajte motor na curenje.
- Budite oprezni s gorivom. Gorivo je zapaljivo i pare su eksplozivne i mogu izazvati povrede ili smrt.
- Nemojte udisati pare od goriva, to može izazvati povredu. Uvjerite se da ima dovoljno protoka zraka.
- Nemojte pušiti u blizini goriva ili motora.
- Nemojte stavljati tople predmete u blizini goriva ili motora.
- Nemojte dodavati gorivo kada je motor uključen.
- Uvjerite se da je motor hladan prije nego dopunite gorivo.
- Prije dopunjavanja gorivom, otvorite poklopac rezervoara za gorivo i pažljivo oslobodite pritisak.
- Nemojte dodavati gorivo u motor u zatvorenom prostoru. Nedovoljni protok zraka može izazvati povredu ili smrt zbog nedostatka kisika ili ugljičnog monoksida.
- Pažljivo pričvrstite poklopac spremnika za gorivo ili bi moglo doći do požara.
- Pomjerite proizvod minimalno 3 m (10 stopa) od položaja gdje ste punili spremnik za gorivo prije pokretanja proizvoda.
- Nemojte stavljati previše goriva u spremnik za gorivo.
- Uvjerite se da ne može doći do curenja kada pomjerite proizvod ili spremnik za gorivo.
- Nemojte stavljati proizvod ili spremnik za gorivo gdje postoji otvoreni plamen, iskra ili plinski plamen.

Uvjerite se da područje za skladištenje ne sadrži otvoreni plamen.

- Koristite samo odobrene spremnika kada pomjerate gorivo ili stavljate gorivo u skladište.
- Ispraznite spremnik za gorivo prije dugotrajnog skladištenja. Poštujte lokalni zakon o tome gdje odlagati gorivo.
- Očistite proizvod prije dugotrajnog skladištenja.
- Skinite kabl svjećice prije nego što stavite proizvod u skladište kako biste bili sigurni da se motor neće pokrenuti slučajno.

Sigurnosna uputstva za održavanje



UPOZORENJE: Prije održavanja proizvoda pročitajte upozorenja u nastavku.

- Vršite održavanje i servisiranje samo onako kako je dato u priručnik za rad. Prepustite da stručni serviseri izvrše sva ostala servisiranja i popravke.
- Redovno vršite sigurnosne provjere, održavanje i servisna uputstva opisana u ovom priručniku. Redovnim održavanjem se produžava trajanje proizvoda i umanjuje se opasnost od nesreća. Uputstva potražite u *Plan održavanja na strani 47*.
- Ukoliko sigurnosne provjere u ovom priručnik za rad nisu odobrene nakon što ste izvršili održavanje, obratite se zastupniku servisa. Garantujemo da za vaš proizvod nudimo stručan popravak i servisiranje.

Sastavljanje

Uvod



UPOZORENJE: Prije sklapanja proizvoda, morate s razumijevanjem pročitati poglavlje o sigurnosti.



UPOZORENJE: Prije sklapanja proizvoda sa svjećice uklonite kabl svjećice.

Sklanjanje drške

1. Uklonite vijak iza regulatora gasa. (Sl. 26)
2. Pomaknite regulator gasa na desnu stranu drške.
3. Poravnajte rupu iza regulatora gasa s rupom na dršci.
4. Stavite vijak kroz rupe. Pritegnite vijak.
5. Pričvrstite ručku između strelica na vratilo. Pritegnite vijak. (Sl. 27)

Pričvrščivanje kvake pojasa

1. Stavite kvaku remena na vratilo dok je omča kvake remena okrenuta prema gore. Stavite kvaku remena iznad strelica na vratilo.
2. Žicu gasa stavite u žlijeb kvake pojasa pri dnu.
3. Poravnajte rupe vijaka na kvaki pojasa.
4. Postavite 2 vijaka u odgovarajuće rupe.
5. Pričvrstite šarafe.

Da biste sastavili rezni dodatak

Da biste sastavili štitnik reznog dodatka

1. Stavite štitnik reznog dodatka (A) u vratilo. (Sl. 28)
2. Stavite držač (B) u isječak na štitniku reznog dodatka.
3. Postavite vijak (C) kroz rupu na držaču do štitnika reznog dodatka.

Sklapanje sječiva za travu

1. Provjerite je li štitnik reznog dodatka (A) pričvršćen na proizvod. Pogledajte *Da biste sastavili štitnik reznog dodatka na strani 44.* (Sl. 29)
2. Postavite iglu za zabravljivanje (B) u otvor kako biste zabravili vratilo.
3. Na izlazno vratilo (D) postavite nož (E), kapu noža (F) i pribor nosača (G).
4. Vodite računa da se pogonska ploča (C) ispravno spoji u središnjem otvoru sječiva. (Sl. 30)
5. Postavite maticu (H) na izlaznu osovinu. Držite osovinu kombinirani ključ u blizini zaštitnika reznog dodatka. Kombinirani ključ okrenite u smjeru suprotno od kazaljke na satu da pritegnete maticu. Maticu pritegnite na 35-50 Nm / 26-36 ft/lb.

6. Uklonite iglu za zabravljivanje.

Postavljanje glave trimera

1. Provjerite je li štitnik reznog dodatka (A) pričvršćen na proizvod. Pogledajte *Da biste sastavili štitnik reznog dodatka na strani 44.* (Sl. 31)
2. Provjerite je li pogonska ploča (C) pričvršćena na izlazno vratilo (D).
3. Postavite iglu za zabravljivanje (B) u otvor kako biste zabravili vratilo.
4. Postavite glavu trimera (E) na izlazno vratilo.
5. Okrenite glavu trimera u smjeru suprotno od kazaljke na satu da je pritegnete na izlazno vratilo. (Sl. 32)
6. Uklonite iglu za zabravljivanje.

Rukovanje

Uvod



UPOZORENJE: Prije rada s proizvodom, morate s razumijevanjem pročitati poglavlje o sigurnosti.

Gorivo

Ovaj proizvod ima dvotaktni motor.



OPREZ: Neppravilno gorivo može uzrokovati oštećenje motora. Koristite mješavinu benzina i ulja za dvotaktni motor.

Pripremljena smješa goriva

- Za najbolje rezultate i duži radni vijek motora, koristite pripremljenu smještu goriva Husqvarna dobrog kvaliteta. Takvo gorivo sadrži manje opasne hemikalije od običnog goriva, čime se smanjuju opasni ispušni dimovi. S takvim gorivom, količina ostataka nakon sagorijevanja je manja, zbog čega sastavni dijelovi motora budu čišći.

Miješanje goriva

Benzin



OPREZ: Nemojte koristiti benzin s brojem oktana koji je manji od 90 RON (87 AKI). To može izazvati oštećenje na proizvodu.



OPREZ: Nemojte koristiti benzin s više od 10% koncentracije etanola (E10). To može izazvati oštećenje na proizvodu.

- Uvijek koristite novi bezolovni benzin s minimalnim brojem oktana od 90 RON (87 AKI) i s manje od 10% koncentracije etanola (E10).

- Koristite benzin s većim brojem oktana ako često koristite proizvod pri kontinuirano visokoj brzini.

Ulje za dvotaktne motore

- Za najbolje rezultate i rada koristite Husqvarna ulje za dvotaktne motore.
- Ukoliko Husqvarna ulje za dvotaktne motore nije dostupno, koristite kvalitetno ulje za dvotaktne motore sa zračnim hlađenjem. Obratite se zastupniku servisa za odabir pravilnog ulja.



OPREZ: Nemojte koristiti ulje za vanbrodske dvotaktne motore s vodenim hlađenjem, koji se nazivaju i vanbrodski. Nemojte koristiti ulje za četverotaktne motore.

Miješanje benzina i ulja za dvotaktne motore

Benzin, liter	Ulje za dvotaktne motore, liter
	2% (50:1)
5	0,10
10	0,20
15	0,30
20	0,40



OPREZ: Ukoliko pravite malu količinu smješe, male greške mogu drastično poremetiti omjer smješe. Pravilno izmjerite količinu ulja i vodite računa da dobijete pravilnu smještu.

(Sl. 33)

1. Naspite pola količine benzina u čistu posudu za gorivo.
2. Dodajte punu količinu ulja.
3. Protresite smješu goriva.
4. Dodajte preostalu količinu benzina u posudu.
5. Protresite smješu goriva.



OPREZ: Nemojte miješati gorivo više od jednom mjesečno.

Da biste dodali gorivo

- Uvijek koristite spremnik goriva s ventilom protiv proljevanja.
- Ako je u spremniku ostalo nešto goriva, uklonite neželjeno gorivo i ostavite da se spremnik osuši.
- Uvjerite se da je područje koje se nalazi u blizini spremnika za gorivo čisto.
- Protresite spremnik za gorivo prije nego što dodate mješavinu goriva u spremnik za gorivo.

Razrađivanje

- Za vrijeme prvih 10 sati rada, nemojte koristiti puni gas bez opterećenja duže vrijeme.

Pokretanje i zaustavljanje

Pregled prije početka rada

1. Vodite računa da na proizvodu nema dijelova koji su oštećeni, olabavljeni, istrošeni ili koji nedostaju.
2. Vodite računa da su matice i vijci pričvršćeni.
3. Vodite računa da noževi ili glava trimera ne bude oštećeni.
4. Provjerite je li matica pritegnuta. Pogledajte *Pregledanje matice na strani 49*.
5. Vodite računa da filter za zrak nije začepljen.
6. Vodite računa da sigurnosni uređaji na proizvodu nisu neispravni.
7. Vodite računa da gorivo ne curi iz proizvoda.

Podešavanje remena



UPOZORENJE: Proizvod uvijek mora biti ispravno pričvršćen za remen. Nemojte koristiti neispravan remen.

1. Postavite remen.
2. Priključite proizvod u remen.
3. Podesite remen u najbolji radni položaj.
4. Podesite bočne pojaseve kako biste ravnomjerno rasporedili težinu na ramena. (Sl. 34)
5. Podesite remen tako da rezni dodatak bude paralelan s tlom.

6. Pustite da rezni dodatak lagano dodiruje tlo. Podesite kvaku remena tako da proizvod bude pravilno uravnotežen.

Napomena: Ako koristite sječivo za travu ono mora balansirati oko 10 cm / 4 inča iznad tla.

Pokretanje hladnog motora

1. Pritisnite pumpicu za istiskivanje zraka 10 puta. (Sl. 35)
2. Povucite ručicu za kontrolu čoka prema gore. (Sl. 36)
3. Kućište proizvoda držite na tlu lijevom rukom. (Sl. 37) Nemojte stajati na proizvod. Povucite ručku konopa za paljenje dok ne osjetite otpor. Zatim povucite ručku konopa za paljenje koristeći silu.

Napomena: Nemojte povlačiti polugu gasa prilikom pokretanja motora.

4. Nastavite povlačiti ručku konopa za paljenje dok se motor ne pokrene ili pokuša pokrenuti (maksimalno 3 povlačenja). Ako se motor pokrene ili pokuša pokrenuti, pritisnite ručicu za čok prema dolje. Nastavite povlačiti dok se motor ne pokrene. Sačekajte 60 sekundi nakon pokretanja prije nego što povučete polugu gasa.



OPREZ: Nemojte povlačiti konop za paljenje dok se ne zaustavi. Ne puštajte konop za paljenje kada je izvučen do kraja. Polako otpustite konop za paljenje. Ako se ne pridržavate ovih uputstava, to može izazvati oštećenje na motoru.

Da biste pokrenuli zagrijan motor.

1. Pritisnite pumpicu za istiskivanje zraka 10 puta.
2. Povlačite konop za paljenje dok se motor ne pokrene.

Da biste pokrenuli motor kada je gorivo pregrijano

Ako ne možete pokrenuti proizvod, moguće je da je gorivo pregrijano.

Napomena: Uvijek koristite novo gorivo i smanjite vrijeme rada tokom toplog vremena.

1. Odložite proizvod u hladno područje dalje od direktne sunčeve svjetlosti.
2. Ostavite proizvod da se ohladi minimalno 20 minuta.
3. Pritisnite pumpicu za pročišćenje zraka nekoliko puta tokom 10-15 sekundi.
4. Poštujte postupak za pokretanje hladnog motora. Pogledajte *Pokretanje hladnog motora na strani 46*.

Zaustavljanje

- Pritisnite prekidač za zaustavljanje da zaustavite motor. (Sl. 21)

Napomena: Prekidač za zaustavljanje se automatski vraća u svoj početni položaj.

Rukovanje trimmerom za travu



OPREZ: Uvjerite se da ste mašinu usporili na brzinu u praznom hodu nakon svake operacije. Dugi period pri punom gasu bez opterećenja na motoru može uzrokovati oštećenje motora.

Napomena: Očistite poklopac glave trimera kada postavljate novi flaks za trimmer kako biste spriječili vibracije. Provjerite ostale dijelove glave trimera i očistite ih po potrebi.

Trimovanje trave

1. Glavu za podrezivanje držite nakošeno odmah iznad tla. Nemojte gurati flaks trimera u travu. (Sl. 38)
2. Smanjite dužinu flaksa trimera za 10–12 cm / 4–4,75 inča.
3. Smanjite brzinu motora kako biste smanjili rizik od oštećenja biljaka.
4. Koristite 80% gasa kada režete travu u blizini predmeta. (Sl. 39)

Rezanje trave

1. Pazite da flaks za trimmer bude paralelan s tlom kada kosite travu. (Sl. 40)
2. Nemojte pritiskati glavu trimera u tlo. To može izazvati oštećenje na proizvodu
3. Pomjerajte proizvod s jedne na drugu stranu dok kosite travu. Koristite puni gas. (Sl. 41)

Raščišćavanje trave nožem za travu

1. Noževi za travu i sječiva za travu se ne smiju koristiti na drvenim panjevima.
2. Sječivo za travu se koristi za sve vrste visoke ili guste trave.

3. Trava se reže bočnim, njihajućim kretnjama, pri čemu kretnja zdesna nalijevo predstavlja zamah raščišćavanja, a kretnja slijeva nadesno povratni zamah. Pustite da lijeva strana noža (između 8 i 12 sati) reže.
4. Ako je nož nagnut ulijevo kada se raščišćava trava, trava će padati u jednom redu, što olakšava njeno skupljanje, npr. pri grabljenju.
5. Pokušajte ritmično raditi. Stojite čvrsto sa raširenim nogama. Krećite se prema naprijed nakon povratnog zamaha i ponovo stanite čvrsto.
6. Pustite da potporna posuda lagano leži na tlu. Ona se koristi da zaštiti nož od udaranja od tlo.
7. Smanjite rizik od omotavanja materijala oko noža tako što ćete uvijek raditi na punom gasu i izbjegavajte prethodno odrezani materijal pri povratnom zamahu.
8. Zaustavite mašinu, otkopčajte remen i položite mašinu na tlo prije nego što počnete skupljati odrezani materijal.

Glava trimera za travu

- Uvjerite se da flaks za trimmer namotate čvrsto i ravnomjerno oko doboša kako biste smanjili vibracije.
- Koristite samo odobrene glave trimera za travu i flaks trimera za travu. Pogledajte *Pribor na strani 51*.
- Koristite pravilnu dužinu flaksa za trimmer. Flaks za trimmer za dugu travu koristi veću snagu motora nego flaks za trimmer za kratku travu.
- Uvjerite se da sječivo na zaštitniku reznog dodatka nije oštećeno.
- Umočite flaks za trimmer u vodu tokom 2 dana prije nego što pričvrstite flaks za trimmer na proizvod. To povećava životni vijek flaksa za trimmer.

Da biste zamijenili flaks za trimmer

(Sl. 42)
(Sl. 43)
(Sl. 44)
(Sl. 45)
(Sl. 46)
(Sl. 47)
(Sl. 48)
(Sl. 49)

Održavanje

Uvod



UPOZORENJE: Prije održavanja, morate s razumijevanjem pročitati poglavlje o sigurnosti.

Za sve servisne radove i popravke proizvoda, potrebna je posebna obuka. Mi garantujemo da su na raspolaganju profesionalna popravka i usluga. Ukoliko

vaš prodavač nije predstavnik servisa, zatražite od njega informacije o najbližem predstavniku servisa.

Plan održavanja

Sedmično održavanje

- Očistite vanjske površine.

- Vodite računa da se rezni dodatak se ne pomjera pri radu u praznom hodu. Pogledajte *Da biste podesili brzinu u praznom hodu na strani 48.*
- Provjerite nivo podmazanosti na konusnom pogonu. Pogledajte *Da biste podmazali konusni pogon na strani 49.*
- Pregledajte maticu. Pogledajte *Pregledanje matice na strani 49.*

Mjesečno održavanje

- Vodite računa da ručka konopa za pokretanje i konop za pokretanje nisu oštećeni.

Godišnje održavanje

- Provjerite svječicu. Pogledajte *Da biste provjerili svječicu na strani 48.*
- Očistite vanjske površine karburatora i područja u njegovoj blizini.
- Očistite sistem za hlađenje.
- Provjerite zaslon odvodnika iskri. Pogledajte *Da biste obavili radove na održavanju na zaslonu odvodnika iskri na strani 48.*
- Provjerite filter za gorivo.
- Vodite računa da crijevo za gorivo nije oštećeno.
- Vodite računa da kablovi i priključci na proizvodu nisu oštećeni.

Da biste podesili brzinu u praznom hodu

- Uvjerite se da je filter za zrak čist i da je poklopac filtera za zrak pričvršćen prije nego što podesite brzinu u praznom hodu.
 - Podesite brzinu u praznom hodu pomoću vijka za podešavanje brzine u praznom hodu T koji je označen oznakom "T".
 - Brzina u praznom hodu je pravilno namještena kada motor glatko radi u svakom položaju. Brzina u praznom hodu mora biti manja od brzine pri kojoj se rezni dodatak počinje okretati.
1. Okrenite vijak u smjeru kretanja kazaljki na satu dok se rezni dodatak ne pođe okretati. (Sl. 50)
 2. Okrenite vijak za podešavanje brzine u praznom hodu u smjeru suprotnom od smjera kretanja kazaljki na satu dok se rezni dodatak ne zaustavi.

Da biste obavili radove na održavanju na zaslonu odvodnika iskri

Koristite žičanu četku da očistite mrežicu odvodnika iskri. (Sl. 51)

Čišćenje sistema za hlađenje

Četkom očistite dijelove sistema za hlađenje. (Sl. 52)

Da biste provjerili svječicu



OPREZ: Koristite preporučene svječice. Uvjerite se da zamijenjeni dio bude isti kao i dio kojeg je osigurao proizvođač. Nepravilna svječica može izazvati oštećenje na proizvodu.

1. Provjerite svječicu kada:
 - a) je motor pri maloj jačini,
 - b) se motor ne pokreće lako,
 - c) motor ne radi ispravno pri brzini u praznom hodu.
2. Ako se motor ne pokreće lako ili ne radi glatko, provjerite svječicu zbog neželjenih materijala. Da biste smanjili opasnost od neželjenih materijala na elektrodama svječice:
 - a) uvjerite se da je brzina u praznom hodu ispravno podešena,
 - b) uvjerite se da je mješavina goriva ispravna,
 - c) uvjerite se da je filter za zrak čist.
3. Očistite svječicu ako je prljava. Provjerite zazor između elektroda. (Sl. 53)
4. Zamijenite svječicu kad je to potrebno.

Za održavanje filtera

Čišćenje zračnog filtera

1. Uklonite poklopac filtera za zrak i uklonite filter za zrak. (Sl. 54)
2. Očistite filter za zrak toplom sapunjavom vodom. Uvjerite se da je filter za zrak suh prije nego ga postavite.
3. Zamijenite filter zraka ako je previše prljav kako biste ga potpuno očistili. Uvijek zamijenite oštećeni filter za zrak.
4. Ako vaš proizvod ima pjenasti filter za zrak, nanesite ulje za filter za zrak. Nanesite samo ulje za filter za zrak na pjenasti filter. Nemojte nanositi ulje na felt filter.

Da biste nanijeli ulje za filter za zrak na zračni filter



OPREZ: Uvijek koristite posebno ulje za filter za zrak na pjenaste zračne filtere. Nemojte koristiti druge tipove ulja.



UPOZORENJE: Nemojte dopustiti da ulje dospije na vaše tijelo.

1. Uklonite poklopac filtera za zrak i uklonite filter za zrak. (Sl. 55)
2. Stavite filter za zrak u plastičnu vrećicu.

3. Stavite ulje za filter za zrak u plastičnu vrećicu. (Sl. 56)
4. Pritisnite plastičnu vrećicu kako biste osigurali da se ulje raspoređuje jednako širom filtera za zrak.
5. Pritisnite filter za zrak dok je u vrećici, kako biste uklonili ulje za filter za zrak koje nije potrebno. Uklonite filter za zrak iz vrećice.
6. Postavite filter za zrak.

Da biste podmazali konusni pogon

Provjerite je li konusni pogon napunjen do 3/4 masti za konusni pogon.

(Sl. 57)

Pregledanje matice



OPREZ: Zamijenite maticu nakon svakog 10. korištenja.

1. Maticu okrenite u smjeru suprotno od kazaljke na satu da je pritegnete. Maticu okrenite u smjeru kazaljke na satu da je uklonite. (Sl. 58)
2. Vodite računa da ne možete rukama istrošiti najlonsku oblogu matice. Najlonska obloga matice mora pružati otpor od minimalno 1,5 Nm / 1,1 ft lb.

3. Maticu pritegnite na 35-50 Nm / 26-36 ft lb, ako je otpor ispod minimalnog.



OPREZ: Ako prejako pritegnete maticu to može oštetiti navoje.

Oštrenje noža za travu i sječiva za travu



UPOZORENJE: Zaustavite motor. Koristite zaštitne rukavice.

- Za oštrenje sječiva za travu ili sječiva za travu, pogledajte uputstva koja su isporučena uz rezni dodatak.
- Naoštrite sve rubove podjednako radi uravnoteženosti.
- Koristite pljosnatu turpiju s jednim zasjekom. (Sl. 59)



UPOZORENJE: Uvijek oštećeno sječivo. Nemojte pokušavati ispraviti savijeno ili uvijeno sječivo i ponovo ga koristiti.

Rješavanje problema

Motor se ne pokreće

Provjeriti	Mogući uzrok	Postupak
Prekidač za zaustavljanje.	Prekidač za zaustavljanje je u položaju za zaustavljanje.	Prekidač za zaustavljanje postavite u položaj za pokretanje.
Zapinjači startera.	Zapinjači startera se ne mogu slobodno pomjerati.	Uklonite poklopac startera i očistite područje oko zapinjača startera. Za pomoć se obratite ovlaštenom predstavniku servisa.
Rezervoar za gorivo.	Neodgovarajuća vrsta goriva.	Ispraznite rezervoar za gorivo i napunite ga odgovarajućom vrstom goriva.
Svjećica.	Svjećica je prljava ili vlažna.	Vodite računa da svjećica bude čista i suha.
	Zazor elektrode svjećice je neodgovarajući.	Očistite svjećicu. Vodite računa da zazor elektrode bude ispravan. Provjerite je li na svjećici postavljen potiskivač. Podatke o odgovarajućem zazoru elektrode potražite u tehničkim podacima.
	Svjećica je labava.	Pritegnite svjećicu.

Motor se pokreće ali se ponovo zaustavlja.

Provjeri	Mogući uzrok	Postupak
Rezervoar za gorivo	Neodgovarajuća vrsta goriva.	Ispraznite rezervoar za gorivo i napunite ga odgovarajućom vrstom goriva.
Filter zraka	Filter zraka je začepljen.	Očistite filter zraka.

Transport, skladištenje i odbacivanje

Transport i skladištenje

- Prije transporta ili skladištenja ostavite da se proizvod ohladi.
- Prije skladištenja na duže vrijeme uklonite zatvarač svječiće.
- Pričvrstite proizvod za vrijeme transporta. Vodite računa da se ne može pomjerati.
- Vodite računa da tokom transporta nema opasnosti od curenja goriva, para goriva, iskri ili plamena.
- Za vrijeme transporta i skladištenja postavite štitnik za transport.
- Prije skladištenja na duže vrijeme očistite i servisirajte proizvod.

Tehnički podaci

Tehnički podaci

	325R A05328CBHV
Motor	
Volumen cilindra cm ³	27,6
Broj obrtaja u praznom hodu, o/min	2800 - 3200
Preporučena maksimalna brzina, broj o/min:	8000
Snaga / Maksimalna snaga motora, prema ISO 8893, kW/ o/min	0,9/1.2 / 8000
Auspuh sa katalizatorom	Da
Brzina izlazne osovine, o/min	7200
Sistem paljenja	
Svječića	Husqvarna HQT-4
Zazor elektroda, mm	0,5
Sistem goriva	
Kapacitet rezervoara za gorivo, l/cm ³	0,343/343
Dimenzije proizvoda	
Težina, kg	5,5

	325R A05328CBHV
Emisija buke⁷	
Nivo jačine zvuka, izmjeren, opremljeno sječivom za travu, dB(A)	108
Nivo jačine zvuka, izmjeren, opremljeno glavom trimera, dB(A)	110
Nivo jačine zvuka, zagantovano (L_{WA}), opremljeno sječivom za travu, dB(A)	112
Nivo jačine zvuka, zagantovano (L_{WA}), opremljeno glavom trimera, dB(A)	114
Nivoi jačine zvuka⁸	
Nivo pritiska zvuka u uhu rukovaoca, opremljeno sječivom za travu, dB(A)	96
Nivo pritiska zvuka u uhu rukovaoca, opremljeno glavom trimera, dB(A)	95
Nivoi vibracija⁹	
Ekvivalentni nivo vibracije (ahv, eq), opremljeno sječivom za travu, lijeva strana, m/s^2	5,1
Ekvivalentni nivo vibracije (ahv, eq), opremljeno sječivom za travu, desna strana, m/s^2	5,7
Ekvivalentni nivo vibracije (ahv, eq), opremljeno glavom trimera, lijeva strana, m/s^2	4,1
Ekvivalentni nivo vibracije (ahv, eq), opremljeno glavom trimera, desna strana, m/s^2	4,9

Pribor

Pribor

Odobreni pribor	Tip	Zaštitnik reznog dodatka
Vratilo s navojima	M10L	
Glava trimera	T35, 2,4 mm	588 11 79-01
Sječivo za travu	Trava 255-4, Ø 250	588 11 79-01

⁷ Emisije buke u okruženju mjerene kao jačina zvuka (L_{WA}) u skladu s Direktivom EC 2000/14/EC. Prijavljeni nivo jačine zvuka za proizvod izmjeren je s originalnim reznim dodatkom koji daje najviši nivo. Razlika između garantirane i izmjerene jačine zvuka je u tome da garantirana jačina zvuka obuhvata i disperziju rezultata mjerenja i varijacije između različitih proizvoda istog modela u skladu s Direktivom 2000/14/EC.

⁸ Prijavljeni podaci za ekvivalentni nivo pritiska zvuka za proizvod imaju tipičnu statističku disperziju (standardno odstupanje) od 1 dB (A).

⁹ Prijavljeni podaci ekvivalentnih nivoa vibracije posjeduju tipičnu statičku disperziju (standardno odstupanje) od 1 m/s^2 .

Izjava EK o usklađenosti

Sadržaj deklaracije EZ o usklađenosti

Mi, Husqvarna AB, SE 561 82 Huskvarna, ŠVEDSKA, izjavljujemo pod punom odgovornošću da predstavljeni proizvod:

Opis	Benzinski trimer za travu / čistač grmova
Brend	Husqvarna
Platforma / tip / model	Platforma A05328CBHV, predstavlja model 325R.
Serijski broj	Serijski broj s datumom od 2018 i nadalje.

u potpunosti su u skladu sa sljedećim EU direktivama i propisima:

Direktiva/propis	Opis
2006/42/EC	"o mašinama"
2014/30/EU	"o elektromagnetnoj kompatibilnosti"
2000/14/EC	"o spoljnoj buci"
2011/65/EU	"o ograničenju upotrebe određenih opasnih supstanci"

Harmonizirani standardi i/ili tehničke specifikacije primijenjene su kako slijedi: EN ISO 12100, EN ISO 11806-1, CISPR 12, ISO 14982, EN 50581:2012.

U skladu s direktivom 2000/14/EC, Aneks V, deklarirane vrijednosti zvuka su navedene u odjeljku za tehničke podatke ovog priručnika i u potpisanoj Deklaraciji EC o usklađenosti.

Organizacija TÜV Rheinland N.A. je izvršila dobrovoljno ispitivanje u ime kompanije Husqvarna AB i dodijelila certifikat o usklađenosti s Direktivom vijeća EC 2006/42/EC za mašinsku opremu.

Certifikat, kao što je navedeno u potpisanoj Deklaraciji EC o usklađenosti, primjenjuje se na svim lokacijama proizvođača i u zemljama porijekla, kao što je navedeno na proizvodu.

Isporučeni benzinski trimer za travu / čistač grmova usklađen je s primjerom koji je bio podvrgnut ispitivanju.

Obsah

Úvod.....	53	Odstraňování problémů.....	63
Bezpečnost.....	54	Přeprava, skladování a likvidace.....	64
Montáž.....	58	Technické údaje.....	64
Provoz.....	59	Příslušenství.....	65
Údržba.....	61	ES Prohlášení o shodě.....	66

Úvod

Návod k používání

Návod k obsluze byl původně napsán v angličtině. Návody k obsluze v ostatních jazycích jsou překlady z angličtiny.

Doporučené použití

Aby bylo možné posekat různé typy porostu, výrobek je možné používat s nožem na trávu nebo strunovou hlavou.

Popis výrobku

(Obr. 1)

1. Strunová hlava
2. Uzávěr mazacího otvoru
3. Kolmý ozubený převod
4. Ochrana řezacího nástavce
5. Trubka hřídele
6. Stop spínač (vypínač zapalování)
7. Páčka plynu
8. Pojistka páčky plynu
9. Řídicí rukojeť
10. Upínač popruhu
11. Kryt startéru
12. Koncovka kabelu zapalovací svíčky, zapalovací svíčka
13. Rukojeť startéru
14. Palivová nádrž
15. Kryt vzduchového filtru
16. Pomocná palivová pumpička
17. Ovládání sytiče
18. Nastavení rukojeti
19. Lanko plynu
20. Tlačítko rychlého volnoběhu
21. Nosný popruh
22. Kombinovaný klíč
23. Návod k používání
24. Přepravní kryt
25. Žací nůž
26. Opěrný talíř
27. Pomocná příruba

Povšimněte si: Věk pro používání výrobku může být omezen místními předpisy.

28. Pojistná matice
29. Hnací kotouč
30. Pojistný čep
31. Šestihranný imbusový klíč

Symbyly na výrobku

(Obr. 2) **VAROVÁNÍ!** Tento výrobek je nebezpečný. Pokud není výrobek používán obezřetně a řádně, může dojít k zranění nebo usmrcení obsluhy či osob v okolí. Aby se zabránilo zranění obsluhy a osob v okolí, přečtěte si a dodržujte všechny bezpečnostní pokyny uvedené v návodu k používání.

(Obr. 3) Před použitím si pozorně prostudujte tento návod k používání a nepoužívejte výrobek, pokud návodu zcela nerozumíte.

(Obr. 4) Používejte ochrannou přilbu v místech, kde hrozí pád předmětů. Vždy používejte schválenou ochranu sluchu. Vždy používejte schválenou ochranu očí.

(Obr. 5) Používejte schválené ochranné rukavice.

(Obr. 6) Používejte odolnou obuv s protiskluzovou podrážkou.

(Obr. 7) Šipky znázorňují krajní polohy držadla.

(Obr. 8) Výrobek může způsobit vyvržení předmětů a následné zranění.

- (Obr. 9) Maximální otáčky výstupního hřídele
- (Obr. 10) Během používání výrobku udržuje minimální vzdálenost 15 m od osob a zvířat.
- (Obr. 11) Pokud řezací zařízení přijde do kontaktu s předmětem, který nemůže okamžitě přefříznout, hrozí riziko zpětného vrhu kotouče. Výrobek může amputovat části těla. Během používání výrobku udržuje minimální vzdálenost 15 m od osob a zvířat.
- (Obr. 12) Pomocná palivová pumpička.
- (Obr. 13) Sytič.
- (Obr. 14) Všechny části těla udržujte mimo dosah horkých povrchů.
- (Obr. 15) Emise hluku do okolí dle směrnice Evropského společenství. Emise výrobku jsou uvedeny v kapitole Technické údaje a na štítku.
- (Obr. 16) Výrobek odpovídá příslušným směrnici ES.
- (Obr. 17) Výrobek odpovídá příslušným směrnici EAC.

Typový štítek s výrobním číslem. **yyyy** je rok výroby, **ww** je týden výroby a **xxxxx** je výrobní číslo.

yyyywwxxxxx

Povšimněte si: Další symboly/štítky na produktu se týkají certifikačních požadavků pro další komerční oblasti.

Odpovědnost za výrobek

Jak uvádí zákon o odpovědnosti za výrobek, neneseme odpovědnost za žádnou škodu způsobenou naším výrobkem, pokud:

- byl produkt nesprávně opraven,
- byl produkt opraven pomocí součástí od jiného výrobce nebo součástí, které nejsou výrobcem schváleny,
- má produkt příslušenství od jiného výrobce nebo příslušenství, které není výrobcem schváleno,
- produkt nebyl opraven ve schváleném servisním středisku nebo schváleným odborníkem.

EU V



VÝSTRAHA: Manipulace s motorem vede k zneplatnění typového schválení EU tohoto výrobku.

Bezpečnost

Definice týkající se bezpečnosti

Varování, upozornění a poznámky slouží jako upozornění na specifické důležité části návodu.



VÝSTRAHA: Používá se v případě nebezpečí úrazu nebo usmrcení obsluhy nebo okolních osob, pokud nejsou dodrženy pokyny uvedené v této příručce.



VAROVÁNÍ: Používá se v případě nebezpečí poškození výrobku, dalších materiálů či škod na majetku v blízkém okolí, pokud nejsou dodrženy pokyny uvedené v této příručce.

Povšimněte si: Používá se k poskytnutí dalších informací, které jsou nezbytné v dané situaci.

Ochrana před vibracemi

Tento výrobek je určen pouze k příležitostnému provozu. Souvislý nebo pravidelný provoz tohoto výrobku může způsobit onemocnění rukou, tzv. bílé prsty, nebo podobné zdravotní problémy způsobené vibracemi. Pokud používáte výrobek souvisle nebo pravidelně, kontrolujte stav rukou a prstů. Pokud ruce nebo prsty zblednou, bolí, cítíte mravenčení nebo jsou znečitlivěné, ukončete práce a promluvte si co nejdříve s lékařem.

Obecné bezpečnostní pokyny



VÝSTRAHA: Před použitím výrobku si přečtěte následující varování.

- Používejte výrobek správně. Nesprávné používání může mít za následek zranění nebo smrt. Výrobek používejte pouze k činnostem uvedeným v tomto návodu. K jiným činnostem výrobek nepoužívejte.

- Řiďte se pokyny v návodu. Řiďte se bezpečnostními symboly a pokyny. Pokud se obsluha nebude řídit pokyny a symboly, může dojít ke zranění, poškození nebo smrti.
- Tento návod nevyhazujte. Použijte pokyny k sestavení, k používání a udržování výrobku v dobrém stavu. Použijte pokyny k správné montáži nástavců a příslušenství. Používejte pouze schválené nástavce a příslušenství.
- Nepoužívejte poškozený výrobek. Dodržujte plán údržby. Provádějte pouze údržbu, ke které najdete pokyny v tomto návodu. Veškerou údržbu musí provádět schválené servisní středisko.
- Tento návod nemůže obsahovat všechny situace, ke kterým při používání výrobku dochází. Buďte opatrní a používejte zdravý rozum. Výrobek nepoužívejte a neprovádějte údržbu, když si nejste jistí danou situací. Poradte se s odborníkem, prodejcem, servisním pracovníkem nebo schváleným servisním střediskem.
- Před montáží, uskladněním nebo údržbou výrobku odpojte kabel zapalovací svíčky.
- Pokud se změní původní specifikace výrobku, nepoužívejte ho. Bez schválení výrobcem nemějte žádné součásti výrobku. Používejte výhradně díly schválené výrobcem. Nesprávná údržba může mít za následek zranění nebo smrt.
- Nevdechujte výpary motoru. Dlouhodobé vdechování výfukových plynů z motoru představuje zdravotní riziko.
- Nestartujte výrobek uvnitř budovy ani v blízkosti hořlavých materiálů. Výfukové plyny jsou horké a mohou obsahovat jiskry, které by mohly zažehnout požár. Nedostatečné proudění vzduchu může způsobit zranění nebo smrt udušením nebo otravou kyslíčnickem uhelnatým.
- Při používání výrobku vytváří motor elektromagnetické pole. Elektromagnetické pole může poškodit implantované lékařské přístroje. Před použitím výrobku se poraďte s lékařem a výrobcem implantovaných lékařských přístrojů.
- Zamezte používání výrobku dětmi. Zamezte používání výrobku osobami, které neznají pokyny.
- Vždy sledujte osoby s fyzickým nebo mentálním postižením při práci s výrobkem. Vždy musí být přítomna zodpovědná dospělá osoba.
- Výrobek zamykejte na místě, kam nemají přístup děti a nezájímavé osoby.
- Produkt může způsobit vymrštění předmětů a následně poranění. Dodržujte bezpečnostní předpisy pro snížení rizika zranění a smrti.
- Neodcházejte od výrobku, když je spuštěný motor.
- Za případnou nehodu nese zodpovědnost obsluha výrobku.
- Před použitím se přesvědčte, že nejsou poškozeny součásti.
- Před použitím výrobku zajistěte, abyste byli ve vzdálenosti minimálně 15 m (50 stop) od ostatních

osob a zvířat. Zajistěte, aby osoby ve vaší blízkosti věděly, že budete výrobek používat.

- Podrobnosti naleznete v mezinárodních a místních zákonech. Za určitých podmínek mohou použití výrobku zakazovat nebo omezovat.
- Nepoužívejte výrobek, jste-li unavení nebo pod vlivem alkoholu, drog nebo léků. Tyto faktory mohou ovlivnit váš zrak, pozornost, koordinaci nebo úsudek.

Bezpečnostní pokyny pro montáž



VÝSTRAHA: Před použitím výrobku si přečtěte následující varování.

- Před montáží výrobku vyjměte ze zapalovací svíčky koncovku kabelu zapalovací svíčky.
- Používejte schválené ochranné rukavice.
- Před spuštěním motoru zkontrolujte, zda jsou kryt a hřídel správně namontovány.
- Hnací kotouč a pomocná příruba musí být řádně instalovány ve středovém otvoru řezacího nástavce. Nesprávné připevnění řezacího nástavce může způsobit vážné zranění nebo usmrcení obsluhy nebo jiných osob.
- Aby bylo možné používat výrobek bezpečně a zabránit zranění obsluhy nebo dalších osob, musí být výrobek vždy správně připevněn k nosnému popruhu.

Bezpečnostní pokyny pro provoz



VÝSTRAHA: Před použitím výrobku si přečtěte následující varování.

- Před použitím zkontrolujte, že je výrobek zcela smontovaný.
- Před spuštěním poodejděte 3 m (10 stop) od místa, kde jste doplňovali palivovou nádrž. Položte výrobek na rovný podklad. Zkontrolujte, zda sekací nástavec nemůže přijít do kontaktu se zemí nebo cizími objekty.
- Produkt může způsobit vymrštění předmětů a následně poranění očí. Při práci s výrobkem vždy používejte ochranu očí.
- Dejte pozor, během práce se k vám může přiblížit dítě, aniž byste o tom věděli.
- Pokud se v pracovní oblasti vyskytují osoby, nepracujte. Když do pracovní oblasti vstoupí jiná osoba, výrobek vypněte.
- Přesvědčte se, že máte výrobek stále pod kontrolou.
- Pokud by vám v případě nehody neměl kdo pomoci, výrobek nepoužívejte. Než začnete výrobek používat, přesvědčte se, že o tom ostatní vědí.
- Než se s výrobkem otočíte, přesvědčte se, že se v bezpečnostní oblasti nevyskytují žádné osoby ani zvířata.

- Než výrobek spustíte, odstraňte z pracovní oblasti případné nechtěné materiály. Pokud sekací nástavec zasáhne nějaký předmět, může dojít k vymrštění předmětu a zranění nebo škodě. Nechtěný materiál se může namotat na sekací nástavec a způsobit škodu.
- Výrobek nepoužívejte za špatného počasí (mlha, déšť, silný vítr, nebezpečí blesku nebo jiné počasí). Špatné počasí může způsobit nebezpečné podmínky (například kluzký povrch).
- Přesvědčte se, že se můžete volně pohybovat a pracovat ve stabilní poloze.

(Obr. 18)

- Ujistěte se, že při používání výrobku nemůžete spadnout. Při používání výrobku se nenaklánějte.
- Výrobek vždy držte oběma rukama. Výrobek držte po své pravé straně.

(Obr. 19)

- Při práci s výrobkem udržujte sekací nástavec pod úrovní pasu.
- Pokud je po spuštění motoru ovládání sytiče v poloze sycení, spusť se sekací nástavec.
- Po zastavení motoru se nedotýkejte kuželového ozubeného kola. Kuželové ozubené kolo je po zastavení motoru horké. Horké oblasti mohou způsobit zranění.
- Než výrobek začnete přesouvat, zastavte motor.
- Neodkládejte výrobek, když je spuštěný motor.
- Než začnete z výrobku odstraňovat nechtěný materiál, zastavte motor a počkejte, než se sekací nástavec zastaví. Než vy nebo asistent odstraní nechtěný materiál, nechte sekací nástavec zastavit.

Osobní ochranné prostředky



VÝSTRAHA: Před použitím výrobku si přečtěte následující varování.

- Při práci s výrobkem vždy používejte správné osobní ochranné prostředky. Osobní ochranné prostředky neodstraňují nebezpečí zranění. Osobní ochranné prostředky snižují úroveň zranění v případě nehody.
- Při práci s výrobkem vždy používejte schválenou ochranu očí.
- Nepracujte s výrobkem bosí nebo v otevřených botách. Vždy používejte odolnou obuv s protiskluzovou podrážkou.
- Používejte silné, dlouhé kalhoty.
- V případě nutnosti používejte schválené ochranné rukavice.
- Pokud hrozí nebezpečí pádu nějakého předmětu, použijte helmu.
- Při práci s výrobkem vždy používejte schválenou ochranu sluchu. Dlouhodobé působení hluku může způsobit ztrátu sluchu vyvolanou hlukem.
- Přesvědčte se, že máte v dosahu k dispozici lékárníčku.

Bezpečnostní zařízení na produktu



VÝSTRAHA: Před použitím výrobku si přečtěte následující varování.

- Nepoužívejte výrobek, jehož bezpečnostní zařízení jsou vadná!
- Pravidelně kontrolujte bezpečnostní zařízení. Další informace naleznete v části *Popis výrobku na strani 53*.
- Pokud je bezpečnostní zařízení vadné, obraťte se na servisního prodejce Husqvarna.

Pojistka spínače plynu

Pojistka spínače plynu blokuje spínač plynu.

(Obr. 20)

Stisknutím pojistky spínače plynu (A) uvolníte spínač plynu (B). Když uvolníte rukojeť, pojistka spínače plynu a spínač plynu se vrátí do výchozí polohy.

1. Při uvolnění pojistky spínače plynu (A) se přesvědčte, že je spínač plynu (B) zablokovaný ve volnoběžných otáčkách.
2. Stiskněte pojistku spínače plynu (A) a zkontrolujte, zda se po uvolnění vrátí do své výchozí polohy.
3. Stiskněte spínač plynu (B) a zkontrolujte, zda se po uvolnění vrátí do své výchozí polohy.

Nastartujte motor a dejte plný plyn. Uvolníte spínač plynu a zkontrolujte, jestli se sekací nástavec zastaví. Pokud se sekací nástavec otáčí, když je plyn v pozici volnoběhu, zkontrolujte stavěcí šroub karburátoru.

Stop spínač (vypínač zapalování)

Nastartujte motor. Zkontrolujte, zda se motor zastaví při přesunutí vypínače zapalování do polohy zastavení.

(Obr. 21)

Ochrana řezacího nástavce

Kryt sekacího nástavce brání vymrštění volných předmětů směrem k obsluze.

(Obr. 22)

Zkontrolujte, zda není kryt sekacího nástavce poškozený a případně ho vyměňte. Používejte pouze kryt schválený pro sekací nástavec.

Tlumič výfuku

- Nepoužívejte motor s poškozeným tlumičem. Poškozený tlumič zvyšuje úroveň hluku a nebezpečí požáru. Vždy mějte poblíž hasicí přístroj.
- Pravidelně kontrolujte, zda je k výrobku namontován tlumič.
- Nedotýkejte se běžícího motoru ani tlumiče. Motoru ani tlumiči se nedotýkejte ani nějakou dobu po zastavení motoru. Horký povrch může způsobit zranění.

- Horký tlumič může způsobit požár. Buďte opatrní, pokud výrobek používáte v blízkosti hořlavých kapalin a plynů.
- Pokud je tlumič poškozen, nedotýkejte se jeho součástí. Součásti mohou obsahovat karcinogenní chemikálie.

Pojistná matice

Pojistná matice umožňuje uzamykání některých typů řezacích nástavců.

(Obr. 23)

Po montáži pojistné matice ji utáhněte proti směru otáčení řezného vybavení.

Funkce uvolnění popruhu



VÝSTRAHA: Nepoužívejte popruh, pokud je funkce uvolnění vadná. Při nastavování výrobku ověřte, zda funkce uvolnění popruhu funguje správně.

Funkce uvolnění popruhu se nachází na přední části produktu. Nosný popruh se musí vždy nacházet ve správné poloze.

(Obr. 24)

V případě nouzové situace umožňuje funkce uvolnění popruhu bezpečné odpojení produktu.

Sekací nástavec



VÝSTRAHA: Před použitím výrobku si přečtěte následující varování.

- Provádějte pravidelnou údržbu. Ve schváleném servisním středisku nechte sekací nástavec pravidelně kontrolovat, seřídit nebo případně opravit.
 - Zvýší se tím výkon sekacího nástavce.
 - Prolouží se tím životnost sekacího nástavce.
 - Sníží se nebezpečí nehody.
- Používejte pouze schválený kryt sekacího nástavce. Další informace viz *Příslušenství na strani 65*.
- Nepoužívejte poškozený sekací nástavec.

Nože na trávu a travní kotočce

- Používejte schválené nože na trávu. Před použitím nože na trávu je nutné správně namontovat všechny potřebné díly. Ověřte, že montáž proběhla správně a že jste použili správné díly. Nesprávná montáž může způsobit uvolnění nože a vážné zranění obsluhy nebo osob v blízkosti.
- Při obsluze nebo údržbě nože noste ochranné rukavice.
- Při obsluze výrobku s nožem na trávu používejte ochranu hlavy.
- Travní kotočč a nůž na trávu jsou určeny k sečení hrubších travin.

- Nůž na trávu může způsobit zranění při točení po zastavení motoru nebo uvolnění páčky plynu. Před údržbou se vždy ujistěte, že se nůž na trávu zcela zastavil.
- Než přistoupíte k práci na řezacím nástavci, vypněte motor. Zkontrolujte, zda se řezací nástavec plně zastavil. Odpojte přívodní vodič od zapalovací svíčky.
- Používejte pouze schválený řezací nástavec nebo správně naostřený nůž.
- Udržujte zuby kotočce dobře a správně nabroušené. (Obr. 25)
- Nepoužívejte poškozený sekací nástavec.
- Při převozu nebo skladování výrobku nasadte přepravní kryt na nůž na trávu.

Zpětný vrh kotočce

- Zpětný vrh kotočce je náhlý pohyb výrobku do strany, dopředu nebo dozadu. Ke zpětnému vrhu kotočce dojde, pokud nůž na trávu nebo pilový kotočč narazí na předmět, který nelze přeseknout. V oblastech, kde je sekáný materiál těžko viditelný, se riziko zpětného vrhu zvyšuje.
- Pokud ke zpětnému vrhu kotočce dojde, hrozí riziko nenadálého pohybu výrobku nebo obsluhy. Pohybující se kotočč může zasáhnout osoby v okolí a způsobit zranění.
- Ohnutý, prasklý, zlomený nebo jinak poškozený kotočč přestaňte používat.
- Používejte ostré žací kotočce. Riziko zpětného vrhu se zvyšuje, pokud není kotočč naostřený.

Bezpečnost při manipulaci s palivem



VÝSTRAHA: Před použitím výrobku si přečtěte následující varování.

- Nemíchejte palivo ve vnitřních prostorech nebo v blízkosti zdrojů tepla.
- Pokud je na výrobku palivo nebo olej, nespouštějte ho. Nechtěné palivo/olej z výrobku odstraňte a nechte výrobek uschnout. Nechtěné palivo z výrobku odstraňte.
- Pokud si palivem polijete oblečení, okamžitě se převlékněte.
- Zabraňte styku paliva s tělem, může způsobit zranění. Pokud se palivo na vaše tělo dostane, omyjte se vodou a mýdlem.
- Pokud polijete výrobek nebo sebe olejem nebo palivem, nespouštějte motor výrobku.
- Nepouštějte motor, pokud z něj něco uniká. Pravidelně kontrolujte, jestli z motoru nic neuniká.
- Při manipulaci s palivem buďte opatrní. Palivo je hořlavé a výpary jsou výbušné a mohou způsobit zranění nebo smrt.
- Nevdechujte palivové výpary, mohou způsobit zranění. Zajistěte dostatečný průtok vzduchu.

- V blízkosti paliva ani motoru nekuřte.
- Do blízkosti paliva ani motoru neumistujte horké předměty.
- Když je spuštěný motor, nedoplňujte palivo.
- Než začnete doplňovat palivo, přesvědčte se, že je motor studený.
- Než doplníte palivo, pomalu otevřete uzávěr palivové nádrže a opatrně uvolněte tlak.
- Palivo do motoru nedoplňujte ve vnitřních prostorech. Nedostatečné proudění vzduchu může způsobit zranění nebo smrt udušením nebo otravou kyslíčnickem uhelnatým.
- Uzávěr palivové nádrže pečlivě dotáhněte, aby nedošlo k požáru.
- Než výrobek spustíte, přejděte s ním minimálně 3 m (10 stop) od místa, kde jste doplňovali palivo.
- Palivovou nádrž nepřepněte.
- Přesvědčte se, že při pohybu výrobku nebo nádoby na palivo nemůže dojít k úniku.
- Výrobek ani nádobu na palivo neumistujte do míst s otevřeným ohněm, jiskrami nebo zapalovacím plamínkem. Přesvědčte se, že v oblasti uložení nevyskytuje otevřený plamen.
- Pro přenášení a skladování paliva používejte pouze schválené nádoby.
- Před dlouhodobým uskladněním vyprázdněte palivovou nádrž. Dodržujte místní zákony ohledně likvidace paliva.

- Před dlouhodobým uskladněním výrobek vyčistěte.
- Než výrobek uskladníte, odstraňte kabel zapalovací svíčky, aby motor nahodile nenastartoval.

Bezpečnostní pokyny pro údržbu



VÝSTRAHA: Před prováděním údržby výrobku si přečtěte následující varování.

- Provádějte pouze takové údržbařské a servisní úkony, které jsou uvedené v tomto návodu k používání. Všechny ostatní opravy svěřte profesionálnímu servisu.
- Pravidelně provádějte bezpečnostní kontroly, údržbu a servis podle pokynů uvedených v této příručce. Pravidelná údržba prodlužuje životnost výrobku a snižuje nebezpečí nehod. Viz pokyny v části *Plán údržby na straně 61*.
- Pokud po provedení údržby nelze potvrdit bezpečnostní kontroly uvedené v této příručce, obraťte se na prodejce poskytujícího servis. Garantujeme, že jsou pro váš výrobek k dispozici profesionální opravy a servis.

Montáž

Úvod



VÝSTRAHA: Před montáží výrobku je třeba, abyste si přečetli a porozuměli kapitole o bezpečnosti.



VÝSTRAHA: Před montáží výrobku sejměte koncovku kabelu zapalovací svíčky ze zapalovací svíčky.

Montáž řídicí rukojeti

1. Vyšroubujte šroub za rukojetí s ovládáním plynu. (Obr. 26)
2. Posuňte páčku plynu na pravou stranu řídicí rukojeti.
3. Vycentrujte otvor za rukojetí s ovládáním plynu s otvorem v řídicí rukojeti.
4. Vložte šroub skrze otvory. Dotáhněte šroub.
5. Připevněte říditka mezi šipky na hřídeli. Dotáhněte šroub. (Obr. 27)

Upevnění upínače nosného popruhu

1. Umístěte upínač nosného popruhu na hřídel se smyčkou upínače nosného popruhu nahoře.

Umístěte upínač nosného popruhu nad šipkami na hřídeli.

2. Umístěte lanko plynu do drážky upínače nosného popruhu dole.
3. Vyrovnajte otvory šroubu pro upínač nosného popruhu.
4. Vložte 2 šrouby do otvorů.
5. Utáhněte šrouby.

Sestavení sekacího nástavce

Sestavení ochrany řezacího nástavce

1. Připevněte ochranu řezacího nástavce (A) na hřídel. (Obr. 28)
2. Umístěte držák (B) do otvoru na ochraně řezacího nástavce.
3. Připevněte šroub (C) do otvorů na držáku a na ochraně řezacího nástavce.

Montáž nože na trávu

1. Zkontrolujte, zda je ochrana řezacího nástavce (A) připevněna k výrobku. Další informace naleznete v části *Sestavení ochrany řezacího nástavce na straně 58*. (Obr. 29)

- Zasuňte pojistný čep (B) do otvoru tak, aby byla hřídel připojena.
- Vložte kotouč (E), opěrnou miskou (F) a pomocnou přírubu (G) na výstupní hřídel (D).
- Zkontrolujte, zda je hnací kotouč (C) řádně instalován ve středovém otvoru nože. (Obr. 30)
- Namontujte pojistnou matici (H) na výstupní hřídel. Přidrže hřídel kombinovaného klíče co nejlíže k ochraně řezacího nástavce. Točte kombinovaným klíčem proti směru hodinových ručiček, abyste dotáhli pojistnou matici. Dotáhněte pojistnou matici utahovacím momentem 30–50 Nm (26–36 ft/lb).
- Odstraňte pojistnou závlačku.

v části *Sestavení ochrany řezacího nástavce na straně 58*. (Obr. 31)

- Zkontrolujte, zda je hnací kotouč (C) připojen k výstupní hřídeli (D).
- Zasuňte pojistný čep (B) do otvoru tak, aby byla hřídel připojena.
- Namontujte strunovou hlavu (E) na výstupní hřídel.
- Otočte strunovou hlavou proti směru hodinových ručiček a dotáhněte ji tak k výstupní hřídeli. (Obr. 32)
- Odstraňte pojistnou závlačku.

Upevnění strunové hlavy

- Zkontrolujte, zda je ochrana řezacího nástavce (A) připevněna k výrobku. Další informace naleznete

Provoz

Úvod



VÝSTRAHA: Před používáním produktu je třeba, abyste si přečetli a porozuměli kapitole o bezpečnosti.

Palivo

Tento výrobek je vybaven dvoudobým motorem.



VAROVÁNÍ: Používání nesprávného typu paliva může vést k poškození motoru. Používejte směs benzínu a oleje pro dvoudobé motory.

Předmíchané palivo

- Používejte předmíchané alkylátové palivo Husqvarna dobré kvality. Zajišťuje nejlepší výkon výrobku a prodlouží životnost motoru. Toto palivo obsahuje méně škodlivých chemikálií v porovnání s běžným palivem a snižuje množství škodlivých výfukových plynů. Množství zbytků po spalení je s tímto palivem menší a díky tomu jsou součástí motoru čistější.

Míchání paliva

Benzín



VAROVÁNÍ: Nepoužívejte benzín s oktanovým číslem nižším než 90 RON (87 AKI). Můžete tím výrobek poškodit.



VAROVÁNÍ: Nepoužívejte benzín s koncentrací etanolu vyšší než 10 % (E10). Můžete tím výrobek poškodit.

- Vždy používejte bezolovnatý benzín oktanovým číslem minimálně 90 RON (87 AKI) s koncentrací etanolu nižší než 10 % (E10).
- Pokud výrobek používáte často s průběžně vyššími otáčkami motoru, používejte benzín s vyšším oktanovým číslem.

Olej pro dvoudobé motory

- Nejllepších výsledků dosáhnete s olejem pro dvoudobé motory Husqvarna.
- Není-li k dispozici olej pro dvoudobé motory Husqvarna, použijte kvalitní olej pro dvoudobé motory určený pro vzduchem chlazené motory. Správný olej vám doporučí servisní prodejce.



VAROVÁNÍ: Nepoužívejte olej pro dvoudobé motory chlazené vodou (olej pro lodní motory). Nepoužívejte olej pro čtyřdobé motory.

Míchání paliva a oleje pro dvoudobé motory

Benzín, l	Olej pro dvoutaktní motory, l
	2 % (50:1)
5	0,10
10	0,20
15	0,30
20	0,40



VAROVÁNÍ: Při míchání pouze malého množství paliva hrozí riziko, že malá chyba v poměru významně ovlivní výslednou směs. Pečlivě odměřte množství oleje, který bude přimíchán do paliva, aby bylo zajištěno, že docílíte správného poměru.

(Obr. 33)

1. Doplňte polovinu množství benzínu do čisté nádoby na palivo.
2. Přidejte celé množství oleje.
3. Směs paliva řádně protřepejte.
4. Přidejte do nádoby zbývající množství benzínu.
5. Směs paliva dobře protřepejte.



VAROVÁNÍ: Neskladujte směs paliva déle než 1 měsíc.

Přidání paliva

- Používejte nádoby na palivo s plnicím hrdlem s ochrannou proti přeplnění.
- Pokud je nějaké palivo na nádobě, odstraňte ho a nechte nádobu uschnout.
- Okolí uzáveřu palivové nádrže musí být čisté.
- Než nalijete palivovou směs do palivové nádrže, protřepejte nádobu s palivem.

Záběh motoru

- Během prvních 10 hodin provozu nepoužívejte plyn plyn bez zatížení po dlouhou dobu.

Zapnutí a vypnutí

Prohlídka před spuštěním.

1. Zkontrolujte, jestli na výrobku nechybí součásti, nejsou povolené nebo opotřebované.
2. Zkontrolujte, zda jsou šrouby a matice dotažené.
3. Zkontrolujte, zda nejsou poškozeny nože nebo strunová hlava.
4. Zkontrolujte, zda je pojistná matice dotažena. Další informace naleznete v části *Kontrola pojistné matice na strani 63*.
5. Zkontrolujte, zda není vzduchový filtr ucpaný.
6. Zkontrolujte, zda nejsou vadná bezpečnostní zařízení výrobku.
7. Zkontrolujte, zda výrobku neuniká palivo.

Seřízení popruhu



VÝSTRAHA: Výrobek musí být vždy správně připevněn na nosném popruhu. Nepoužívejte vadný nosný popruh.

1. Nasadte si nosný popruh.

2. Připojte výrobek k nosnému popruhu.
3. Upravte nosný popruh tak, abyste dosáhli optimální pracovní polohy.
4. Seřídte postranní popruhy tak, aby byla váha výrobku nesená rovnoměrně na obou ramenech. (Obr. 34)
5. Seřídte nosný popruh tak, aby byl řezací nástavec rovnoběžný s povrchem terénu.
6. Nechte řezací nástavec, aby se lehce dotýkal země. Seřídte upínač nosného popruhu tak, aby byl výrobek správně vyvážen.

Povšimněte si: Pokud používáte nůž na trávu, je třeba vyvážit stroj přibližně 10 cm (4 palce) nad zemí.

Spouštění studeného motoru

1. Stlačte pomocnou palivovou pumpičku desetkrát za sebou. (Obr. 35)
2. Vytáhněte ovládání sytiče nahoru. (Obr. 36)
3. Přitiskněte celý výrobek k zemi levou rukou. (Obr. 37) Na výrobek nešlapejte. Lehce táhněte za rukojeť startéru, až pocítíte odpor. Potom za rukojeť startéru zatáhněte silou.

Povšimněte si: Při startování motoru nevytahujte spínač plynu.

4. Tahejte za rukojeť startéru, dokud se motor nenastartuje nebo se nepokusí spustit (maximálně 3 zatažení). Pokud motor nastartuje nebo se pokusí rozběhnout, stlačte ovladač sytiče směrem dolů. Tahejte, dokud motor nenastartuje. Po nastartování počkejte 60 sekund a poté vytáhněte spínač plynu.



VAROVÁNÍ: Nevytahujte rukojeť startéru až na doraz. Když je lano startéru zcela vytažené, nepouštějte ho. Pouštějte lano startéru pomalu. Pokud tyto pokyny nedodržíte, může dojít k poškození motoru.

Spouštění teplého motoru

1. Stlačte pomocnou palivovou pumpičku desetkrát za sebou.
2. Zatáhněte za lano startéru, až se motor spustí.

Spouštění motoru, když je palivo příliš horké

Pokud výrobek nestartuje, může být palivo příliš horké.

Povšimněte si: Vždy používejte nové palivo a v teplém počasí zkrátte dobu provozu.

1. Umístěte výrobek na chladné místo chráněné před přímým slunečním světlem.
2. Nechejte výrobek vychladnout minimálně 20 minut.

3. Stiskněte opakovaně pomocnou palivovou pumpičku po dobu 10 až 15 sekund.
4. Postupujte podle pokynů pro spouštění studeného motoru. Další informace naleznete v části *Spouštění studeného motoru na strani 60*.

Zastavení

- Stisknutím vypínače zapalování vypnete motor. (Obr. 21)

Povšimněte si: Vypínač se automaticky vrátí do původní polohy.

Práce s vyžínací strunou



VAROVÁNÍ: Po každém použití zpomalte motor do volnoběžných otáček. Dlouhodobý běh na plný plyn bez zátěže může způsobit poškození motoru.

Povšimněte si: Aby nedocházelo k vibracím, vyčistěte po nasazení nové vyžínací struny novou hlavu vyžínáče. Zkontrolujte ostatní součásti hlavy vyžínáče a v případě potřeby je vyčistěte.

Vyžínání trávy

1. Držte strunovou hlavu těsně nad úrovní terénu a pod úhlem. Netlačte vyžínací strunu do trávy. (Obr. 38)
2. Zkraťte délku vyžínací struny o 10–12 cm (4–4,75 palce).
3. Snižte otáčky motoru, abyste snížili nebezpečí poškození rostlin.
4. Když sečete trávu v blízkosti předmětů, používejte plyn na 80 %. (Obr. 39)

Sečení trávy

1. Zajistěte, aby při sečení trávy byla vyžínací struna souběžně se zemí. (Obr. 40)
2. Netlačte hlavu vyžínáče k zemi. Můžete tím výrobek poškodit.
3. Při sečení trávy pohybujte výrobkem ze strany na stranu. Používejte plný plyn. (Obr. 41)

Vyžínání pomocí nože na trávu

1. Travní kotouče a vyžínací nože nelze použít na dřevnaté kmínky.

2. Na všechny typy vysoké nebo hrubé trávy používejte travní kotouč.
3. Koste trávu kývavým pohybem ze strany na stranu, kdy pohyb zprava doleva je vysekávací a pohyb zleva doprava zpětný. Nechte kotouč pracovat svou levou stranou (úsekem mezi 8 a 12 hodinou).
4. Nakloníte-li při vyžínání kotouč o něco doleva, pokládá se tráva do řádků, což usnadňuje její sbírání, např. shrabání.
5. Snažte se pracovat rytmicky. Stůjte pevně, s rozkročenýma nohama. Postupujte vpřed po zakončení zpětného pohybu a opět se pevně postavte.
6. Opěrný talíř nechte dolehnout zlehka k zemi. Ten chrání travní kotouč před dotykem s půdou.
7. Pracujte vždy na plný plyn a vyhýbejte se právě posekanému materiálu při zpětném pohybu, abyste snížili riziko omotání materiálu kolem kotouče.
8. Před zahájením odklizení posekaného materiálu vždy vypněte motor, odpojte nosné popruhy a položte stroj na zem.

Hlava vyžínáče

- Pro snížení vibrací namotejte vyžínací strunu na buben pevně a rovnoměrně.
- Používejte pouze schválené hlavy vyžínáče a vyžínací struny. Viz *Příslušenství na strani 65*.
- Používejte vyžínací struny správné délky. Příliš dlouhá vyžínací struna potřebuje větší výkon motoru než krátká.
- Dbejte na to, aby nůž na krytu sekacího nástavce nebyl poškozen.
- Před nasazením na výrobek namočte vyžínací strunu na dva dny do vody. Tím se prodlouží životnost vyžínací struny.

Výměna vyžínací struny

- (Obr. 42)
(Obr. 43)
(Obr. 44)
(Obr. 45)
(Obr. 46)
(Obr. 47)
(Obr. 48)
(Obr. 49)

Údržba

Úvod



VÝSTRAHA: Před prováděním údržby je třeba, abyste si přečetli a porozuměli kapitole o bezpečnosti.

Pro servis a opravy výrobku je nezbytné speciální školení. Garantujeme dostupnost profesionálních oprav a servisu. Pokud neposkytuje prodejce servisní služby, požádejte jej o informace o nejbližším servisu.

Plán údržby

<:fc 1>Týdenní údržba<:/:fc>

- Vyčistíte vnější povrchy.
- Zkontrolujte, zda se řezací nástavec nepohybuje při chodu motoru na volnoběžné otáčky. Další informace naleznete v části *Úprava volnoběžných otáček na strani 62*.
- Zkontrolujte hladinu maziva v úhlové převodovce. Další informace naleznete v části *Přidání maziva na ozubený převod na strani 63*.
- Prohlédněte pojistnou matici. Další informace naleznete v části *Kontrola pojistné matice na strani 63*.

Měsíční údržba

- Zkontrolujte, zda není poškozena rukojeť startéru a startovací šňůra.

Roční údržba

- Zkontrolujte zapalovací svíčku. Další informace naleznete v části *Kontrola zapalovací svíčky na strani 62*.
- Vyčistíte vnější povrch karburátoru a okolních ploch.
- Vyčistíte chladicí systém.
- Zkontrolujte sítko lapače jisker. Další informace naleznete v části *Údržba sítka lapače jisker na strani 62*.
- Zkontrolujte palivový filtr.
- Zkontrolujte, zda není poškozena hadice přívodu paliva.
- Zkontrolujte, zda nejsou vadné elektrické kabely a konektory výrobku.

Úprava volnoběžných otáček

- Než nastavíte volnoběh, zkontrolujte čistotu vzduchového filtru a to, zda je nasazen kryt vzduchového filtru.
 - Pomocí stavěcího šroubu T, který je popsán symbolem T, nastavte volnoběžné otáčky.
 - Rychlost volnoběhu je správná tehdy, když má motor klidný chod v každé poloze. Po spuštění sekacího nástavce musí být volnoběžné otáčky nižší než tyto otáčky.
1. Otáčejte stavěcím šroubem ve směru hodinových ručiček, dokud se řezací nástavec nezačne otáčet. (Obr. 50)
 2. Otáčejte stavěcím šroubem proti směru hodinových ručiček, dokud se řezací nástavec nezastaví.

Údržba sítka lapače jisker

Vyčistíte sítko lapače jisker drátěným kartáčem. (Obr. 51)

Čištění chladicího systému

Vyčistíte součásti chladicího systému kartáčem. (Obr. 52)

Kontrola zapalovací svíčky



VAROVÁNÍ: Použijte doporučenou zapalovací svíčku. Ujistěte se, že je náhradní díl stejný, jako díl dodaný výrobcem. Nesprávná zapalovací svíčka může výrobek poškodit.

1. Zkontrolujte zapalovací svíčku, když:
 - a) je výkon motoru nízký;
 - b) není snadné motor spustit;
 - c) motor nefunguje správně ve volnoběžných otáčkách.
2. Pokud nelze motor snadno spustit nebo ovládat, zkontrolujte, zda se na zapalovací svíčke nenachází nechtěné materiály. Pro snížení nebezpečí přítomnosti nechtěných materiálů na elektrodách zapalovací svíčky:
 - a) zkontrolujte, zda jsou správně nastaveny volnoběžné otáčky;
 - b) zkontrolujte správnost palivové směsi;
 - c) zkontrolujte, zda je vzduchový filtr čistý.
3. Pokud je zapalovací svíčka znečištěná, vyčistěte ji. Zkontrolujte správnou vzdálenost elektrod. (Obr. 53)
4. V případě potřeby zapalovací svíčku vyměňte.

Údržba vzduchového filtru

Čištění vzduchového filtru

1. Odmontujte kryt vzduchového filtru a vzduchový filtr. (Obr. 54)
2. Vyčistíte filtr teplou mýdlovou vodou. Před montáží zkontrolujte, že je vzduchový filtr suchý.
3. Pokud je vzduchový filtr tak znečištěný, že jej nelze vyčistit, vyměňte ho. Poškozený vzduchový filtr vždy vyměňte.
4. Pokud je váš výrobek vybaven pěnovým filtrem, naneste olej na vzduchové filtry. Olej na vzduchové filtry naneste pouze na pěnový filtr. Nenanášejte olej na vzduchové filtry na plstěný filtr.

Nanesení oleje na vzduchové filtry na vzduchový filtr



VAROVÁNÍ: Na pěnové filtry vždy používejte speciální olej na vzduchové filtry. Jiné druhy oleje nepoužívejte.



VÝSTRAHA: Zabraňte kontaktu oleje s tělem.

1. Odmontujte kryt vzduchového filtru a vzduchový filtr. (Obr. 55)
2. Vložte vzduchový filtr do plastového sáčku.

- Nalijte olej na vzduchové filtry do plastového sáčku. (Obr. 56)
- Plastový sáček zmáčkněte, aby se olej rozprostřel po celém vzduchovém filtru.
- Když je vzduchový filtr ještě v sáčku, zmáčkněte ho, aby z něj vyšel přebytečný olej. Vyndejte vzduchový filtr ze sáčku.
- Namontujte vzduchový filtr.

Přidání maziva na ozubený převod

Zkontrolujte, zda je ozubený převod naplněný do 3/4 mazivem.

(Obr. 57)

Kontrola pojistné matice.



VAROVÁNÍ: Vyměňte pojistnou matici po každých 10 použitích.

- Točte pojistnou maticí proti směru hodinových ručiček, abyste ji dotáhli. Točte pojistnou maticí ve směru hodinových ručiček, abyste ji demontovali. (Obr. 58)
- Zkontrolujte, zda není možné otáčet nylonovým uzávěrem pojistné matice rukou. Nylonový uzávěr musí udržet moment minimálně 1,5 Nm (1,1 ft/lb).



VAROVÁNÍ: Pokud dotáhnete pojistnou matici příliš, mohlo by dojít k poškození závitů.

Ostření travního nože a nože na trávu



VÝSTRAHA: Vypněte motor. Používejte ochranné rukavice.

- Správný postup naostření a nastavení travního nože a nože na trávu je uveden v návodu dodaném s řezacím nástavcem.
- Naostřete všechna ostří stejnoměrně, aby nebyla narušena rovnováha.
- Použijte plochý pilník s jednosměrnými rovnoběžnými zářezy. (Obr. 59)



VÝSTRAHA: Poškozený nůž či kotouč vždy vyřaďte z provozu. Ohnutý nebo zkroucený nůž se nepokoušejte narovnat a znovu používat.

Odstraňování problémů

Motor nestartuje.

Kontrola	Možná příčina	Pracovní postup
Vypínač.	Vypínač je v poloze Stop.	Nastavte vypínač do startovací polohy.
Západky startéru.	Západky startéru se volně nepohybují.	Odmontujte kryt startéru a vyčistěte prostor kolem západek startéru. Obraťte se na schválený servis.
Palivová nádrž.	Nesprávný typ paliva.	Vypusťte palivovou nádrž a doplňte správné palivo.
Zapalovací svíčka.	Zapalovací svíčka je znečištěná nebo mokrá.	Ujistěte se, že je zapalovací svíčka suchá a čistá.
	Vzdálenost elektrod zapalovací svíčky je nastavena nesprávně.	Vyčistěte zapalovací svíčku. Zkontrolujte, zda je vzdálenost elektrod správná. Zkontrolujte, zda je zapalovací svíčka vybavena krytem. Správnou vzdálenost elektrod najdete v části s technickými údaji.
	Zapalovací svíčka je povolena.	Dotáhněte zapalovací svíčku.

Motor startuje, ale znovu se vypíná.

Kontrola	Možná příčina	Pracovní postup
Palivová nádrž	Nesprávný typ paliva.	Vyprázdněte palivovou nádrž a doplňte správné palivo.
Vzduchový filtr	Vzduchový filtr je zanesený.	Vyčistěte vzduchový filtr.

Přeprava, skladování a likvidace

Přeprava a skladování

- Před přepravou nebo uskladněním nechte výrobek vychladnout.
- Před dlouhodobým uskladněním vyjměte koncovku kabelu zapalovací svíčky.
- Během přepravy musí být výrobek řádně upevněný. Ujistěte se, že se nepohybuje.
- Zkontrolujte, zda během přepravy nebo skladování nehrozí únik paliva, výparů paliva a zda nejsou přítomny jiskry nebo otevřený oheň.
- Během přepravy a skladování musí být nasazený přepravní kryt.
- Před dlouhodobým uskladněním výrobek vyčistěte a proveďte servis.

Technické údaje

Technické údaje

	325R A05328CBHV
Motor	
Zdvihový objem válce, cm ³	27,6
Volnoběžné otáčky, ot/min	2800 až 3200
Doporučené maximální rychlé otáčky bez zatížení, ot/min	8000
Výkon / max. výkon motoru, dle normy ISO 8893, kW/hp při ot/min	0,9/1,2 při 8000
Tlumič zaběhnutý s katalyzátorem	Ano
Obrátky výchozího hřídele, ot/min	7200
Systém zapalování	
Zapalovací svíčka	Husqvarna HQT-4
Vzdálenost elektrod, mm	0,5
Palivový systém	
Objem palivové nádrže, l/cm ³	0,343/343
Rozměry produktu	
Hmotnost, kg	5,5

	325R A05328CBHV
Emise hluku¹⁰	
Hladina akustického výkonu, změřená, při použití nože na trávu, dB(A)	108
Hladina akustického výkonu, změřená, při použití strunové hlavy, dB(A)	110
Hladina akustického výkonu, zaručená L _{WA} , změřená, při použití nože na trávu, dB(A)	112
Hladina akustického výkonu, změřená, zaručená L _{WA} , při použití strunové hlavy, dB(A)	114
Hladiny hluku¹¹	
Hladina akustického tlaku v uších uživatele, při použití nože na trávu, dB(A)	96
Hladina akustického tlaku v uších uživatele, při použití strunové hlavy, dB(A)	95
Úrovně vibrací¹²	
Ekvivalentní hladina vibrací (ahv, eq), při použití nože na trávu, levá rukojeť, m/s ²	5,1
Ekvivalentní hladina vibrací (ahv, eq), při použití nože na trávu, pravá rukojeť, m/s ²	5,7
Ekvivalentní hladina vibrací (ahv, eq), při použití strunové hlavy, levá rukojeť, m/s ²	4,1
Ekvivalentní hladina vibrací (ahv, eq), při použití strunové hlavy, pravá rukojeť, m/s ²	4,9

Příslušenství

Příslušenství

Schválené příslušenství	Typ	Ochrana řezacího nástavce
Hřídél se závitem	M10L	
Strunová hlava	T35, 2,4 mm	588 11 79-01
Nůž na trávu	Grass 255-4, Ø 250	588 11 79-01

¹⁰ Emise hluku v životním prostředí měřené jako akustický výkon (L_{WA}) v souladu se směrnicí 2000/14/EU. Uváděná hladina akustického výkonu pro výrobek byla měřena s originálním řezacím nástavcem, který generuje nejvyšší hladinu. Rozdíl mezi garantovaným a měřeným akustickým výkonem je v tom, že garantovaný akustický výkon rovněž zahrnuje rozptyl výsledků měření a rozdíly mezi různými výrobky téhož modelu podle Směrnice 2000/14/ES.

¹¹ Uváděná data pro ekvivalentní hladinu akustického tlaku pro produkt mají typickou statistickou odchylku (standardní odchylku) 1 dB (A).

¹² Uváděná data pro ekvivalentní hladinu vibrací mají typickou statistickou odchylku (standardní odchylku) 1 m/s².

ES Prohlášení o shodě

Obsah prohlášení o shodě ES

My, společnost Husqvarna AB, SE 561 82 Huskvarna, ŠVÉDSKO, zcela zodpovědně prohlašujeme, že příslušný výrobek:

Popis	Benzinový vyžinač / křovinořez
Značka	Husqvarna
Platforma / typ / model	Platforma A05328CBHV, představující model 325R.
Šarže	Výrobní číslo od roku 2018 a dále.

je zcela ve shodě s následujícími směrnici a předpisy EU:

Směrnice/předpis	Popis
2006/42/ES	„o strojních zařízeních“
2014/30/EU	„o elektromagnetické kompatibilitě“
2000/14/ES	„o venkovním hluku“
2011/65/EU	„o omezení používání některých nebezpečných látek“

Platí následující harmonizované normy a/nebo technické specifikace: EN ISO 12100, EN ISO 11806-1, CISPR 12, ISO 14982, EN 50581:2012.

Deklarované úrovně hluku jsou uvedeny v části s technickými údaji této příručky a podepsaném prohlášení o shodě EU ve shodě se směrnicí 2000/14/ES, příloha V.

Společnost TÜV Rheinland N.A. provedla jménem společnosti Husqvarna AB dobrovolnou zkoušku zaručující Certifikát o shodě podle Směrnice 2006/42/ES Evropské rady pro strojní zařízení.

Tento certifikát, který je poskytnut na podepsaném prohlášení o shodě, se vztahuje na všechny výrobní závody a země původu uvedené na produktu.

Dodaný benzinový vyžinač trávy / křovinořez je shodný s exemplářem, který prošel zkouškou.

Indhold

Indledning.....	67	Fejlfinding.....	77
Sikkerhed.....	68	Transport, opbevaring og bortskaffelse.....	78
Montering.....	72	Tekniske data.....	78
Drift.....	73	Tilbehør.....	79
Vedligeholdelse.....	75	EU-overensstemmelseserklæring.....	80

Indledning

Brugervejledning

Det oprindelige sprog i denne brugervejledning er engelsk. Brugervejledninger på andre sprog er oversættelser fra engelsk.

Anvendelsesformål

Brug produktet med en græsklinge eller et trimmerhoved til at beskære forskellige typer vegetation.

Produktoversigt

(Fig. 1)

1. Trimmerhoved
2. Påfyldningsdæksel til smøremiddel
3. Vinkelgear
4. Beskyttelse til skæreudstyr
5. Aksel
6. Stopkontakt
7. Gasregulering
8. Gasreguleringslås
9. Styr
10. Selebeslag
11. Starterhus
12. Tændhætte, tændrør
13. Startrebets håndgreb
14. Brændstoftank
15. Luftfilterlås
16. Brændstofpumpebold
17. Chokerhåndtag
18. Håndtagsjustering
19. Gaskabel
20. Knap til hurtig tomgang
21. Ledningsnet
22. Ring- og gaffelnøgle
23. Brugsanvisning
24. Transportbeskyttelse
25. Kniv
26. Støttekop
27. Støtteflange
28. Låsemøtrik

Bemærk: National lovgivning kan definere begrænsninger på betjeningen af produktet.

29. Medbringerhjul
30. Låsepind
31. Sekskantnøgle

Symboler på produktet

- (Fig. 2) **ADVARSEL!** Dette produkt er farligt. Personskade eller død kan forekomme hos brugeren eller personer i nærheden, hvis produktet ikke anvendes forsigtigt og korrekt. For at undgå, at brugeren eller personer i nærheden kommer til skade, skal alle sikkerhedsinstruktioner i brugsanvisningen læses og overholdes.
- (Fig. 3) Læs brugsanvisningen omhyggeligt igennem, og sørg for at have forstået instruktionerne, inden du bruger produktet.
- (Fig. 4) Brug en beskyttelseshjelm på steder, hvor du kan få genstande i hovedet. Brug godkendt høreværn. Brug godkendt øjenværn.
- (Fig. 5) Brug godkendte beskyttelseshandsker.
- (Fig. 6) Brug altid kraftige, skridsikre støvler.
- (Fig. 7) Pilene viser grænserne for håndtagets position.
- (Fig. 8) Produktet kan forårsage, at genstande slynges ud, hvilket kan forårsage personskade.

- (Fig. 9) Maksimalt omdrejningstal for udgående aksel.
- (Fig. 10) Hold en afstand på mindst 15 m/50 fod til personer og dyr under brug af produktet.
- (Fig. 11) Der er risiko for kickback, hvis skæreudstyret rammer en genstand, som ikke omgående skæres over. Produktet kan afskære kropsdele. Hold en afstand på mindst 15 m/50 fod til personer og dyr under brug af produktet.
- (Fig. 12) Brændstofpumpebold.
- (Fig. 13) Choker.
- (Fig. 14) Hold alle dele af kroppen på sikker afstand af varme overflader.
- (Fig. 15) Støjemissioner til omgivelserne henviser til EF-direktiv. Produktets emission fremgår af kapitlet Tekniske data og af mærkaten.
- (Fig. 16) Produktet er i overensstemmelse med gældende EF-direktiver.
- (Fig. 17) Produktet er i overensstemmelse med gældende EAC-direktiver.

Typeskiltet viser serie-nummeret. **yyyy** er produktion-såret, **ww** er produktionsugen, og **xxxxx** er serie-nummeret.

yyyywwxxxxx

Bemærk: Andre symboler/mærkater på produktet henviser til certificeringskrav i andre handelsområder.

Produktansvar

Som nævnt i produktansvarsbestemmelserne hæfter vi ikke for skader forårsaget af vores produkt, hvis:

- produktet er forkert repareret
- produktet er repareret med dele, der ikke er fra producenten eller ikke er godkendt af producenten
- produktet har tilbehør, der ikke er fra producenten eller ikke er godkendt af producenten.
- produktet ikke er repareret på et godkendt servicecenter eller af en godkendt myndighed.

EU V



ADVARSEL: Ved manipulation af motoren bortfalder EU-typegodkendelsen af dette produkt.

Sikkerhed

Sikkerhedsdefinitioner

Advarsler, forholdsregler og bemærkninger bruges til at pege på særligt vigtige dele af brugsanvisningen.



ADVARSEL: Bruges, hvis føreren udsætter sig selv eller omkringstående personer for risiko for personskade eller dødsfald ved tilsidesættelse af instruktionerne i brugsanvisningen.



BEMÆRK: Bruges, hvis der er risiko for skader på produktet, andre materialer eller det omgivende område ved tilsidesættelse af instruktionerne i brugsanvisningen.

Bemærk: Bruges til at give yderligere oplysninger, der er nødvendige i en given situation.

Vibrationssikkerhed

Dette produkt er kun til lejlighedsvis brug. Vedvarende eller regelmæssig brug af produktet kan forårsage "hvide fingre" eller tilsvarende medicinske problemer på grund af vibrationer. Hold øje med dine hænder og fingre, hvis du betjener produktet vedvarende eller regelmæssigt. Hvis dine hænder eller fingre har misfarvning, gør ondt, snurrer eller er følelsesløse, skal du stoppe arbejdet og tale med en læge med det samme.

Generelle sikkerhedsinstruktioner



ADVARSEL: Læs følgende advarselsinstruktioner, inden du bruger produktet.

- Brug produktet korrekt. Forkert brug kan medføre personskader eller dødsfald. Brug kun produktet til

de opgaver, der angives i denne vejledning. Brug ikke produktet til andre opgaver.

- Følg instruktionerne i denne vejledning. Overhold sikkerhedssymboler og sikkerhedsinstruktioner. Hvis operatøren ikke følger vejledningen og symbolerne, kan det medføre personskader, beskadigelse eller dødsfald.
- Smid ikke denne vejledning ud. Brug vejledningen til at samle, betjene og vedligeholde dit produkt. Brug vejledningen til korrekt montering af udstyr og tilbehør. Brug kun godkendt udstyr og tilbehør.
- Brug ikke et beskadiget produkt. Overhold vedligeholdelsesskemaet. Udfør kun det vedligeholdelsesarbejde, du kan finde vejledning til i denne vejledning. Et godkendt servicecenter skal udføre alt andet vedligeholdelsesarbejde.
- Denne vejledning beskriver ikke alle situationer, der kan opstå, når du bruger produktet. Vær forsigtig og brug din sunde fornuft. Du må ikke bruge produktet eller foretage vedligeholdelse på produktet, hvis du ikke er sikker på, hvad du skal gøre. Snak med en produkt ekspert, forhandler, et serviceværksted eller et godkendt servicecenter for at få mere at vide.
- Fjern kablet fra tændrøret, før du samler produktet, sætter produktet til opbevaring eller foretager vedligeholdelse.
- Brug ikke produktet, hvis det er blevet ændret fra den oprindelige specifikation. Du må ikke ændre dele af produktet uden producentens godkendelse. Brug kun dele, der er godkendt af producenten. Forkert vedligeholdelse kan medføre personskader eller dødsfald.
- Indånd ikke dampe fra motoren. Langvarig indånding af motorens udstødningsgasser er sundhedsskadelig.
- Start ikke produktet indendørs eller i nærheden af brandfarligt materiale. Udstødningsgasserne er varme og kan indeholde gnister, der kan starte en brand. Utilstrækkelig luftstrøm kan forårsage personskader eller dødsfald på grund af kvælning eller kulilte.
- Motoren danner et elektromagnetisk felt, når du bruger dette produkt. Det elektromagnetiske felt kan beskadige medicinske implantater. Tal med din læge og producenten af det medicinske implantat, før du betjener produktet.
- Lad ikke børn betjene produktet. Lad ikke en person uden kendskab til vejledningen betjene produktet.
- Sørg for at overvåge personer med nedsat fysisk eller mental kapacitet, der bruger produktet. En voksen skal være til stede hele tiden.
- Lås produktet inde i områder, hvor børn og uautoriserede personer ikke kan få adgang.
- Produktet kan slynge genstande ud og forårsage skader. Overhold sikkerhedsinstruktionerne for at mindske risikoen for personskader eller dødsfald.
- Du må ikke gå væk fra produktet, når motoren er tændt.

- Brugeren af produktet er ansvarlig, hvis der sker et uheld.
- Sørg for, at delene ikke er beskadigede, før du bruger produktet.
- Sørg for, at du som minimum er 15 m væk fra andre personer eller dyr, før du bruger produktet. Sørg for, at personer i det nærliggende område ved, at du bruger produktet.
- Overhold nationale eller lokale love. Visse love kan forhindre eller mindske brugen af produktet under nogle forhold.
- Brug ikke produktet, hvis du er træt eller påvirket af alkohol, narkotika eller medicin. Det kan påvirke dit syn, din opmærksomhed, din koordination eller din dømmekraft.

Sikkerhedsinstruktioner til montering



ADVARSEL: Læs følgende advarselsinstruktioner, inden du bruger produktet.

- Fjern tændrørshatten fra tændrøret inden samling af produktet.
- Brug godkendte beskyttelseshandsker.
- Sørg for at samle dækslet og akslen korrekt før start af motoren.
- Medbringerhjulet og støtteflangen skal indkobles korrekt i skæreudstyrets midterste hul. Et skæreudstyr, der sidder forkert, kan forårsage alvorlig personskade eller dødsfald for brugeren eller andre.
- For at betjene produktet sikkert og forhindre personskade hos brugeren og andre personer skal produktet altid være korrekt fastgjort til ledningsnettet.

Sikkerhedsinstruktioner for drift



ADVARSEL: Læs følgende advarselsinstruktioner, inden du bruger produktet.

- Sørg for, at produktet er helt samlet, før du bruger det.
- Før du begynder, skal du flytte produkter 3 m/10 fod væk fra den position, hvor du påfyldte brændstoftanken. Anbring produktet på en plan overflade. Sørg for, at skæreudstyret ikke rører jorden eller andre objekter.
- Produktet kan forårsage, at genstande slynges ud, hvilket kan forårsage skader på øjnene. Anvend altid godkendt øjenværn, når du betjener produktet.
- Vær opmærksom på, at børn kan komme i nærheden af produktet, uden at du ved det, når du betjener produktet.

- Betjen ikke produktet, hvis der er personer i arbejdsområdet. Stop produktet, hvis en person går ind i arbejdsområdet.
- Sørg for, at du altid har kontrol over produktet.
- Brug ikke produktet, hvis du ikke kan få hjælp i tilfælde af en ulykke. Sørg altid for, at andre ved, at du betjener produktet, før du begynder at bruge det.
- Drej ikke med produktet, før du sikrer dig, at ingen mennesker eller dyr er i sikkerhedsområdet.
- Fjern alle uønskede materialer fra arbejdsområdet, før du går i gang. Hvis skæreudstyret rammer en genstand, kan genstanden slynges af sted og forårsage skader. Uønsket materiale kan vikle sig rundt om skæreudstyret og forårsage skader.
- Brug ikke produktet i dårligt vejr (tåge, regn, hård vind, risiko for lynnedslag eller andre vejrforhold). Farlige situationer (f.eks. glatte overflader) kan forekomme på grund af dårligt vejr.
- Sørg for, at du kan bevæge sig frit og arbejde i en stabil stilling

(Fig. 18)

- Sørg for, at du ikke kan falde, når du bruger produktet. Stå ikke skråt, når du bruger produktet.
- Hold altid produktet med to hænder. Hold produktet på højre side af kroppen.

(Fig. 19)

- Betjen produktet med skæreudstyret under bæltetstedet.
- Hvis chokerhåndtaget er i chokerpositionen, når motoren starter, begynder skæreudstyret at dreje.
- Rør ikke vinkelgearet, når motoren stopper. Vinkelgearet er varmt, når motoren stopper. Varme områder kan forårsage skader.
- Stop motoren, før du flytter produktet.
- Sæt ikke produktet ned, mens motoren er tændt.
- Før du fjerner uønsket materiale fra produktet, skal du stoppe motoren og vente, indtil skæreudstyret standser. Sørg for, at skæreudstyret er stoppet, før du eller en hjælper fjerner det afskårne materiale.

Personligt beskyttelsesudstyr



ADVARSEL: Læs følgende advarselsinstruktioner, inden du bruger produktet.

- Brug altid korrekt personligt beskyttelsesudstyr, når du bruger produktet. Personligt beskyttelsesudstyr fjerner ikke risikoen for skader. Personligt beskyttelsesudstyr mindsker eventuelle skader, hvis der sker et uheld.
- Anvend altid godkendt øjenværn, når du betjener produktet.
- Du må ikke betjene produktet med bare fødder eller åbne sko. Brug altid kraftige, skridsikre støvler.
- Brug kraftige, lange bukser.
- Hvis det er nødvendigt, skal du bruge godkendte beskyttelseshandsker.

- Brug en hjelm, hvis der er risiko for, at genstande kan falde ned på dit hoved.
- Brug altid godkendt høreværn, når du bruger produktet. Støj over længere perioder kan forårsage støjbetinget høretab.
- Sørg for, at du har en førstehjælpskasse i nærheden.

Sikkerhedsanordninger på produktet



ADVARSEL: Læs følgende advarselsinstruktioner, inden du bruger produktet.

- Brug ikke et produkt med defekte sikkerhedsanordninger.
- Kontrollér sikkerhedsanordningerne regelmæssigt. Se *Produktoversigt på side 67*.
- Hvis sikkerhedsanordningerne er defekte, skal du henvende dig til din Husqvarna-serviceforhandler.

Gasreguleringslås

Gasreguleringslåsen låser gasreguleringen.

(Fig. 20)

Skub gasreguleringslåsen (A) for at frigøre gasreguleringen (B). Når du slipper håndtaget, går gasreguleringslåsen og gasreguleringen tilbage til deres oprindelige positioner.

1. Sørg for, at gasreguleringen (B) er låst i tomgang, når du slipper gasreguleringslåsen (A).
2. Skub gasreguleringslåsen (A), og sørg for, at den går tilbage til dens oprindelige position, når du slipper den.
3. Tryk på gasreguleringen (B), og sørg for, at den går tilbage til dens oprindelige position, når du slipper den.

Start motoren og giv fuld gas. Slip gasreguleringen, og undersøg, om skæreudstyret stopper. Hvis skæreudstyret roterer, mens gasreguleringen er i tomgang, skal du undersøge tomgangsjusteringssskruen på karburatoren.

Stopkontakt

Start motoren. Sørg for, at motoren stopper, når stopkontakten sættes i stopposition.

(Fig. 21)

Beskyttelse til skæreudstyr

Beskyttelsen til skæreudstyret forhindrer, at løse genstande slynges ud i retning af brugeren.

(Fig. 22)

Undersøg beskyttelsen til skæreudstyret for skader, og udskift den, hvis den er beskadiget. Brug kun godkendt beskyttelse til skæreudstyret.

Lyddæmper

- Brug ikke motoren med en defekt lyddæmper. En defekt lyddæmper øger støjniveauet og risikoen for brand. Hav en brandslukker i nærheden.
- Undersøg regelmæssigt, om lyddæmperen er fastgjort til produktet.
- Rør ikke ved motoren eller lyddæmperen, når motoren er tændt. Rør ikke ved motoren eller lyddæmperen et stykke tid, efter at motoren stopper. Varme overflader kan medføre personskader.
- En varm lyddæmper kan forårsage brand. Vær forsigtig, hvis du bruger produktet i nærheden af brændbare væsker eller gasser.
- Rør ikke delene i lyddæmperen, hvis lyddæmperen er beskadiget. Delene kan indeholde visse kræftfremkaldende kemikalier.

Låsemøtrik

Låsemøtrikken bruges til at låse visse typer skæreudstyr.

(Fig. 23)

Når du monterer låsemøtrikken, fastspændes den i modsat retning af skæreudstyrets driftsretning.

Selefrigivelsesfunktion



ADVARSEL: Brug ikke selen, hvis frigivelsesfunktionen er defekt. Sørg for, at selefrigivelsesfunktionen fungerer korrekt, når du justerer produktet.

Selefrigivelsesfunktionen sidder foran på produktet. Selestopperne skal altid forblive i den korrekte stilling. (Fig. 24)

I nødstilfælde medvirker selefrigivelsesfunktionen til at frigive produktet sikkert.

Skæreudstyr



ADVARSEL: Læs følgende advarselsinstruktioner, inden du bruger produktet.

- Foretag regelmæssig vedligeholdelse. Lad et godkendt servicecenter regelmæssigt undersøge skæreudstyret og udføre justeringer eller reparationer.
 - Skæreudstyrets ydeevne øges.
 - Skæreudstyrets levetid øges.
 - Risikoen for ulykker mindskes.
- Brug kun godkendt beskyttelse til skæreudstyret. For yderligere oplysninger henvises til *Tilbehør på side 79*.
- Brug ikke beskadiget skæreudstyr.

Græsklinger/græsknive

- Brug produktet med en godkendt græsklinge. Brug ikke en græsklinge uden korrekt montering af alle nødvendige dele. Sørg for, at monteringen udføres korrekt, og at der benyttes de korrekte dele. Forkert montering kan få klingens til at flyve af og forårsage skade på operatøren eller andre personer i nærheden.
- Brug beskyttelseshandsker, når du håndterer eller udfører vedligeholdelse på klingens.
- Brug sikkerhedshjelm, når du betjener et produkt med en græsklinge.
- Græsklinger og græsknive bruges til klipping af grovere græs.
- En græsklinge kan forårsage personskade, fordi den fortsætter med at rotere, efter motoren standses eller gasreguleringen slippes. Sørg for, at græsklingen er helt holdt op med at rotere, før der udføres nogen form for vedligeholdelse.
- Stands motoren, inden du foretager arbejde på skæreudstyret. Sørg for, at skæreudstyret helt er holdt op med at rotere. Fjern kablet fra tændrøret.
- Brug kun godkendt skæreudstyr eller en korrekt fileet klinge.
- Hold klingens skæretænder i god stand og med korrekt skærping. (Fig. 25)

- Brug ikke beskadiget skæreudstyr.
- Fastgør transportbeskyttelsen på græsklingen ved transport eller opbevaring af produktet.

Kast

- Et kast er produktets pludselige bevægelse til siden, frem eller tilbage. Et kast opstår, når græsklingen eller savklingen rammer en genstand, der ikke kan skæres. I områder, hvor det ikke er let at se det materiale, der skæres, øges risikoen for kast.
- Når der opstår et kast, er der risiko for, at produktet eller operatøren bevæger sig ud af stilling. En klinge, der bevæger sig, kan ramme omkringstående, og der er risiko for personskader.
- Hvis en klinge er bøjet, har revner, er ødelagt eller beskadiget, skal den skiftes.
- Benyt en skarp klinge. Risikoen for kast øges, når en kniv ikke er skarp.

Brændstofsikkerhed



ADVARSEL: Læs følgende advarselsinstruktioner, inden du bruger produktet.

- Bland ikke brændstof indendørs eller i nærheden af en varmekilde.
- Start ikke produktet, hvis der er brændstof eller motorolie på produktet. Fjern uønsket brændstof/olie og lad produktet tørre. Fjern uønsket brændstof fra produktet.

- Hvis du får brændstof på dit tøj, skal du skifte tøj med det samme.
- Undgå at få brændstof på kroppen, da det kan forårsage personskader. Hvis du får brændstof på kroppen, skal du bruge sæbe og vand til at fjerne brændstoffet.
- Start ikke motoren, hvis du får olie eller brændstof på produktet eller på din krop.
- Start ikke produktet, hvis motoren lækker. Undersøg regelmæssigt motoren for lækager.
- Vær forsigtig med brændstof. Brændstof er letantændeligt og dampe er eksplosive og kan medføre personskader eller dødsfald.
- Undgå at indånde brændstoffampene, da det kan forårsage personskader. Sørg for, at der er tilstrækkelig luftstrøm.
- Ryg ikke i nærheden af brændstof eller motor.
- Anbring ikke varme genstande i nærheden af brændstof eller motor.
- Fyld ikke brændstof på, når motoren er tændt.
- Sørg for, at motoren er afkølet, inden du fylder brændstof på.
- Før du fylder brændstof på, skal du åbne brændstofftankens dæksel langsomt og forsigtigt udløse trykket.
- Fyld ikke brændstof på motoren i et indendørs område. Utilstrækkelig med luftstrøm kan forårsage personskader eller dødsfald på grund af kvælning eller kulilte.
- Spænd dækslet på brændstofftanken omhyggeligt, ellers kan der opstå brand.
- Flyt produktet minimum 3 m fra det sted, hvor du fyldte tanken, før du starter det.
- Fyld ikke for meget brændstof i brændstofftanken.
- Sørg for, at der ikke er lækager, når du flytter produktet eller brændstoffdunken.
- Anbring ikke produktet eller en brændstoffdunk på steder med åben ild, gnister eller tændflammer. Sørg for, at der ikke er åben ild i opbevaringsområdet.
- Brug kun godkendte tanke, når du flytter brændstoffet eller sætter det til opbevaring.
- Tøm brændstofftanken før langtidsopbevaring. Overhold lokal lovgivning om bortskaffelse af brændstof.
- Rengør produktet før langtidsopbevaring.
- Fjern kablet fra tændrøret inden opbevaring for at sikre, at motoren ikke starter utilsigtet.

Sikkerhedsinstruktioner for vedligeholdelse



ADVARSEL: Læs følgende advarselsinstruktioner, inden du udfører vedligeholdelse på produktet.

- Udfør kun den form for vedligeholdelses- og servicearbejde, der angives i denne brugervejledning. Lad et professionelt serviceværksted foretage al anden vedligeholdelse og reparation.
- Foretag regelmæssigt den sikkerhedskontrol, vedligeholdelse og service, der er angivet i denne brugsanvisning. Regelmæssig vedligeholdelse øger produktets levetid og mindsker risikoen for ulykker. Se *Vedligeholdelsesskema på side 75* for yderligere vejledning.
- Hvis sikkerhedskontrollerne i denne brugsanvisning ikke kan godkendes, efter at du har udført vedligeholdelse, skal du kontakte en serviceforhandler. Vi garanterer, at der er professionelle reparationer og vedligeholdelse til rådighed for dit produkt.

Montering

Indledning



ADVARSEL: Inden brug af produktet skal du læse og forstå kapitlet om sikkerhed.



ADVARSEL: Fjern tændrørskablet fra tændrøret inden samling af produktet.

Sådan samles styret

1. Fjern skruen bag gashåndtaget. (Fig. 26)
2. Flyt gashåndtaget til højre side af styret.
3. Anbring hullet bag gashåndtaget ud for hullet i styret.
4. Lad skruen gå gennem hullerne. Spænd skruen.

5. Fastgør styret mellem pilene på skaffet. Spænd skruen. (Fig. 27)

Sådan fastgøres selebeslaget

1. Sæt selebeslaget på skaffet med selebeslagets løkke opad. Sæt selebeslaget over pilene på skaffet.
2. Sæt gaskablet ind i rillen i det nederste selebeslag.
3. Flugt selebeslaget med skruerhullerne.
4. Sæt to skruer i skruerhullerne
5. Spænd skruerne.

Sådan samler du skæreudstyret

Sådan samler du beskyttelsen til skæreudstyret

1. Sæt beskyttelsen til skæreudstyret (A) på akslen. (Fig. 28)

- Sæt beslaget (B) i rillen på beskyttelsen til skæreudstyret.
- Fastgør boltten (C) til beslaget gennem hullet til beskyttelsen til skæreudstyret.

Sådan samles græsklingen

- Sørg for, at beskyttelsen til skæreudstyret (A) er fastgjort til produktet. Se *Sådan samler du beskyttelsen til skæreudstyret på side 72*. (Fig. 29)
- Sæt låsepinden (B) ind i hullet, så akslen låses.
- Anbring klingens (E), støttekoppen (F) og støtteflangen (G) på den udgående aksel (D).
- Sørg for, at medbringerhjulet (C) indkobles korrekt i hullet i midten af klingens (Fig. 30)
- Anbring låsemøtrikken (H) på den udgående aksel. Hold fast i ring- og gaffelnøglen skaft i nærheden af beskyttelsen til skæreudstyret. Drej ring- og

gaffelnøglen mod uret for at stramme låsemøtrikken. Tilspænd låsemøtrikken til 35-50 Nm (26-36 ft/lb).

- Fjern låsepinden.

Sådan fastgøres trimmerhovedet

- Sørg for, at beskyttelsen til skæreudstyret (A) er fastgjort til produktet. Se *Sådan samler du beskyttelsen til skæreudstyret på side 72*. (Fig. 31)
- Sørg for, at medbringerhjulet (C) sidder på udgangsakslen (D).
- Sæt låsepinden (B) ind i hullet, så akslen låses.
- Sæt trimmerhovedet (E) på den udgående aksel.
- Drej trimmerhovedet mod uret for at fastgøre den til udgangsakslen. (Fig. 32)
- Fjern låsepinden.

Drift

Indledning



ADVARSEL: Før du bruger produktet, skal du læse og forstå kapitlet om sikkerhed.

Brændstof

Dette produkt har en totaktsmotor.



BEMÆRK: Forkert brændstof kan medføre beskadigelse af motoren. Brug en blanding af benzin og totaktsolie.

Forblandet brændstof

- Brug forblandet Husqvarna-alkylatbenzin af god kvalitet – det giver det bedste resultat og forlænger af motorens levetid. Dette brændstof indeholder færre skadelige kemikalier sammenlignet med almindeligt brændstof, hvilket reducerer skadelige udstødningsgasser. Mængden af rester efter forbrændingen er lavere med dette brændstof, som holder komponenterne i motoren mere rene.

Sådan blandes brændstof

Benzin



BEMÆRK: Brug ikke benzin med et oktantal mindre end 90 RON (87 AKI). Det kan forårsage skader på produktet.



BEMÆRK: Brug ikke benzin med en ethanolconcentration på mere end 10 % (E10). Det kan forårsage skader på produktet.

- Brug altid ny blyfri benzin med et oktantal på minimum 90 RON (87 AKI) og med en ethanolconcentration på mindre end 10 % (E10).
- Brug aldrig benzin med højere oktantal, hvis du ofte bruger produktet ved et konstant højt motoromdrejningstal.

Totaktsolie

- De bedste resultater opnås ved anvendelse af Husqvarna-totaktsolie.
- Hvis du ikke kan få fat i Husqvarna-totaktsolie, kan du også bruge en anden totaktsolie af høj kvalitet, som er beregnet til luftkølede motorer. Tal med din serviceforhandler om valg af den korrekte olie.



BEMÆRK: Brug aldrig totaktsolie til vandafkølede udenbordsmotorer, såkaldt outboardoil. Brug ikke olie beregnet til firetaktsmotorer.

Sådan blandes benzin og totaktsolie

Benzin, liter	Totaktsolie, liter
	2 % (50:1)
5	0,10
10	0,20
15	0,30
20	0,40



BEMÆRK: Små fejl kan påvirke forholdet i blandingen drastisk, hvis du blander små mængder brændstof. Mål omhyggeligt

mængden af olie, og sørg for, at du får den rigtige blanding.

(Fig. 33)

1. Fyld halvdelen af mængden af benzin i en ren beholder til brændstof.
2. Tilføj al olien.
3. Ryst brændstofblandingen.
4. Hæld den resterende mængde over i beholderen.
5. Ryst brændstofblandingen omhyggeligt.



BEMÆRK: Bland ikke brændstof til mere end 1 måned ad gangen.

Sådan påfylder du brændstof

- Brug altid en brændstoffunk med overløbssikring.
- Hvis der er brændstof på dunken, skal du fjerne det uønskede brændstof og lade dunken tørre.
- Sørg for, at området i nærheden af brændstoffækslet er rent.
- Ryst brændstoffunken, før du fylder brændstofblandingen i brændstoffanken.

Sådan køres produktet til

- I løbet af de første 10 timers drift må du ikke køre med fuld gas uden belastning i længere tid.

Sådan starter og stopper du

Følgende undersøges før start

1. Sørg for, at produktet ikke har nogen manglende, beskadigede, løse eller slidte dele.
2. Sørg for, at møtrikker, skruer og bolte er strammede.
3. Sørg for, at klingerne eller trimmerhovedet ikke er beskadigede.
4. Kontroller, at låsemøtrikken strammes. Se *Sådan kontrolleres låsemøtrikken på side 77*.
5. Sørg for, at luftfilteret ikke er tilstoppet.
6. Sørg for, at sikkerhedsanordningerne på produktet ikke er defekte.
7. Sørg for, at produktet ikke har nogen brændstoffækager.

Sådan justeres selen



ADVARSEL: Produktet skal altid være sikkert fastgjort til selen. Brug ikke en defekt sele.

1. Tag selen på.
2. Tilslut produktet til selen.
3. Juster selen for at opnå den bedste arbejdsstilling.
4. Tilpas sideremmen, så vægten af produktet fordeles ligeligt på skuldrene. (Fig. 34)

5. Juster selen, indtil skæreudstyret løber parallelt med jorden.
6. Lad skæreudstyret berøre jorden let. Juster selebeslaget, så produktet er korrekt afbalanceret.

Bemærk: Hvis du bruger en græsklinge, skal den balancere ca. 10 cm / 4 tommer over jorden.

Sådan starter du en kold motor

1. Tryk på brændstofpumpebolden 10 gange. (Fig. 35)
2. Træk chokerhåndtaget op. (Fig. 36)
3. Hold hoveddelen af produktet på jorden med venstre hånd. (Fig. 37) Træd ikke på produktet. Træk langsomt i startsnorens håndtag, indtil du mærker modstand. Træk derefter kraftigt i startrebets håndtag.

Bemærk: Træk ikke i gasreguleringen, mens du starter motoren.

4. Fortsæt med at trække i startrebets håndtag, indtil motoren starter eller forsøger at starte (maks. 3 træk). Hvis motoren starter eller forsøger at starte, skal du skubbe chokerhåndtaget ned. Fortsæt med at trække, indtil motoren starter. Vent 60 sekunder efter en start, før du trækker i gasreguleringen.



BEMÆRK: Træk ikke i startrebet, indtil det stopper. Slip ikke startrebet, når det er trukket helt ud. Slip startsnoren langsomt. Hvis disse instruktioner ikke følges, kan motoren tage skade.

Sådan starter du en varm motor

1. Tryk på brændstofpumpebolden 10 gange.
2. Træk i startrebet, indtil motoren starter.

Sådan startes motoren, når brændstoffet er for varmt

Hvis produktet ikke starter, kan brændstoffet være for varmt.

Bemærk: Brug altid nyt brændstof, og brug produktet i mindre tid i varmt vejr.

1. Sæt produktet et køligt sted i skyggen.
2. Lad det køle af i mindst 20 minutter.
3. Tryk på brændstofpumpebolden igen og igen i 10-15 sekunder.
4. Følg proceduren for start af kold motor. Se *Sådan starter du en kold motor på side 74*.

Sådan stopper du:

- Tryk på stopkontakten for at standse motoren. (Fig. 21)

Bemærk: Stopkontakten vender automatisk tilbage til dens oprindelige position.

Sådan betjener du græstrimmeren



BEMÆRK: Sørg for, at du sænker motoren til tomgangshastighed, hver gang du har brugt den. En længere periode med fuld gas uden belastning på motoren kan medføre skader på motoren.

Bemærk: Rengør dækslet på trimmerhovedet, når du fastgør en ny trimmertråd for at undgå vibrationer. Undersøge andre dele af trimmerhovedet, og rengør det, hvis det er nødvendigt.

Sådan trimmes græsset

1. Hold trimmerhovedet lige over jorden, og hold det i vinkel. Tryk ikke trimmertråden ned i græsset. (Fig. 38)
2. Reducer længden af trimmertråden med 10-12 cm/ 4-4,75 tommere.
3. Reducer motorhastigheden for at mindske risikoen for skader på planterne.
4. Brug 80 % gas, når du klipper græs nær genstande. (Fig. 39)

Sådan klippes græsset

1. Sørg for, at græstrimmertråden er parallel med underlaget, når du klipper græsset. (Fig. 40)
2. Skub ikke trimmerhovedet ned mod jorden. Det kan forårsage skade på produktet.
3. Flyt produktet fra side til side, når du slår græs. Brug fuld gas (Fig. 41)

Sådan ryddes græs med en græsklinge

1. Græsklinger og græsknive må ikke anvendes til træagtige stilke.
2. Til alle former for højt eller kraftigt græs anvendes en græsklinge.

3. Græs mejes ned fra side til side, hvor bevægelsen fra højre mod venstre kaldes rydningslaget, og bevægelsen fra venstre mod højre kaldes returslaget. Lad klingens venstre side (placeret mellem klokken 8 og 12) udføre skærearbejdet.
4. Hvis klingens venstre side vippe lidt mod venstre under græsrydning, samles græsset i en stribe, som gør opsamlingsarbejdet lettere, f.eks. med en rive.
5. Sørg for at arbejde rytmisk. Stå stabilt med fødderne let spredte. Ryk fremad efter returslaget, og stil dig igen stabilt.
6. Lad støttekoppen hvile let mod jorden. Den bruges til at beskytte klingens venstre side mod belægning af jord.
7. Nedsæt risikoen for, at materiale vikler sig rundt om klingens venstre side ved arbejde med fuld gas og undgå tidligere afskåret materiale under returslaget.
8. Stands motoren, løsn selen, og placer maskinen på jorden, inden du opsamlar det afskårne materiale.

Græstrimmerhoved

- Sørg for, at du vikler græstrimmertråden stramt og jævnt rundt om tromlen for at mindske vibrationer.
- Brug kun godkendte græstrimmerhoveder og græstrimmertråde. Se *Tilbehør på side 79*.
- Brug korrekt længde græstrimmertråd. En lang græstrimmertråd bruger mere motorkraft end en kort græstrimmertråd.
- Sørg for, at kniven på beskyttelsen til skæreudstyret ikke er beskadiget.
- Læg græstrimmertråden i vand i 2 dage, før du fastgør græstrimmertråden til produktet. Dette øger græstrimmertrådens levetid.

Sådan udskifter du trimmertråden

- (Fig. 42)
- (Fig. 43)
- (Fig. 44)
- (Fig. 45)
- (Fig. 46)
- (Fig. 47)
- (Fig. 48)
- (Fig. 49)

Vedligeholdelse

Indledning



ADVARSEL: Inden der foretages vedligeholdelse, skal du læse og forstå kapitlet om sikkerhed.

Alt service- og reparationsarbejde på produktet kræver specialuddannelse. Vi garanterer faglig korrekt reparation og service. Hvis forhandleren ikke er et serviceværksted, kan vedkommende oplyse om nærmeste serviceværksted.

Vedligeholdelsesskema

Ugentligt eftersyn

- Rengør de udvendige overflader.
- Sørg for, at skæreudstyret ikke bevæger sig i tomgang. Se *Sådan justerer du tomgangshastigheden på side 76*.
- Undersøg niveauet af fedt i vinkelgearet. Se *Sådan påfører du fedt på vinkelgearet på side 76*.
- Undersøg låsemøtrikken. Se *Sådan kontrolleres låsemøtrikken på side 77*.

Månedligt eftersyn

- Sørg for, at startsnorens håndgreb og startsnoren ikke er beskadiget.

Årlig vedligeholdelse

- Undersøg tændrøret. Se *Sådan undersøger du tændrøret på side 76*.
- Rengør de udvendige overflader på karburatoren og dens tilstødende områder.
- Rengør kølesystemet.
- Undersøg gnistfangerskærmen. Se *Sådan foretager du vedligeholdelse på gnistfangerskærmen på side 76*.
- Undersøg brændstoffilteret.
- Sørg for, at brændstofslangen ikke er beskadiget.
- Sørg for, at kabler og forbindelser på produktet ikke er beskadigede.

Sådan justerer du tomgangshastigheden

- Sørg for, at luftfilteret er rent og at luftfilterdækslet er fastgjort, før du justerer tomgangshastigheden.
- Juster tomgangshastigheden med den ledige justerskrue T, som er markeret med et "T".
- Tomgangshastigheden er korrekt, når motoren kører jævnt i alle positioner. Tomgangshastigheden skal være under den hastighed, hvor skæreudstyret begynder at rotere.

1. Drej tomgangsjusteringsskruen med uret, indtil skæreudstyret begynder at rotere. (Fig. 50)
2. Drej tomgangsjusteringsskruen mod uret, indtil skæreudstyret stopper.

Sådan foretager du vedligeholdelse på gnistfangerskærmen

Brug en stålborste til at rengøre gnistfangerskærmen. (Fig. 51)

Sådan renser du kølesystemet

Rens delene i kølesystemet med en børste.

(Fig. 52)

Sådan undersøger du tændrøret



BEMÆRK: Brug det anbefalede tændrør. Sørg for, at reservedelen er den samme som den vare, der leveres af producenten. Et forkert tændrør kan medføre skader på produktet.

1. Undersøg tændrøret hvis:
 - a) motorens effekt er lav.
 - b) motoren ikke er nem at starte.
 - c) motoren ikke fungerer korrekt i tomgangshastighed.
2. Hvis motoren ikke er nem at starte og køre, skal du undersøge tændrøret for uønskede materialer.

Sådan mindsker du risikoen for uønsket materiale på tændrørets elektroder:

- a) sørg for, at tomgangshastigheden er indstillet korrekt.
 - b) sørg for, at brændstofblandingen er korrekt.
 - c) sørg for, at luftfilteret er rent.
3. Rengør tændrøret, hvis det er snavset. Kontroller, at elektrodeafstanden er korrekt. (Fig. 53)
 4. Udskift tændrøret, når det er nødvendigt.

Sådan foretager du vedligeholdelse af luftfilteret

Rengøring af luftfilteret

1. Fjern luftfilterdækslet og luftfiltret. (Fig. 54)
2. Rens luftfilteret med varmt sæbevand. Sørg for, at luftfilteret er tørt, før du sætter det i igen.
3. Udskift luftfilteret, hvis det er for beskidt til at rengøres helt. Udskift altid et beskadiget luftfilter.
4. Hvis produktet har et skumluftfilter, skal du påføre luftfilterolie. Anvend kun luftfilterolie til et skumfilter. Anvend ikke olie i et filteret.

Sådan påfører du luftfilterolie i et luftfilter



BEMÆRK: Brug altid særlig luftfilterolie til skumluftfiltere. Brug ikke andre typer olie.



ADVARSEL: Undgå at få olie på din krop.

1. Fjern luftfilterdækslet og luftfiltret. (Fig. 55)
2. Anbring luftfilteret i en plastpose.
3. Anbring luftfilterolien i plastposen. (Fig. 56)
4. Skub til plastposen for at sikre, at olien er påført jævnt på luftfilteret.
5. Tryk på luftfilteret, mens det er i posen, for at fjerne luftfilterolie, der ikke skal bruges. Tag luftfilteret ud af posen.
6. Sæt luftfilteret i.

Sådan påfører du fedt på vinkelgearet

Sørg for, at vinkelgearet er fyldt 3/4 op med vinkelgearfedt.

(Fig. 57)

Sådan kontrolleres låsemøtrikken



BEMÆRK: Udskift låsemøtrikken efter hver 10. brug.

1. Drej låsemøtrikken mod uret for at stramme låsemøtrikken. Drej låsemøtrikken med uret for at fjerne låsemøtrikken. (Fig. 58)
2. Sørg for, at du ikke kan dreje låsemøtrikkens nylonforing med hænderne. Nylonforingen skal yde en minimummodstand på 1,5 Nm (1,1 ft lb).
3. Spænd låsemøtrikken til 35-50 Nm/26-36 ft/lb, hvis modstanden er under minimum.



BEMÆRK: Hvis du strammer låsemøtrikken for meget, kan det medføre beskadigelse af gevindet.

Sådan skærpes græsklingen og græskniven



ADVARSEL: Stop motoren. Bær altid beskyttelseshandsker.

- Se de instruktionerne, som fulgte med skæreudstyret, vedrørende korrekt skærpning af græsklinge og græskniv.
- Skærp alle kanter lige meget for at bevare en balance.
- Brug en enkelthugget fladfil. (Fig. 59)



ADVARSEL: Kassér altid klinger, som er beskadiget. Prøv ikke at rette bøjede eller snoede klinger ud og bruge dem igen.

Fejlfinding

Motoren starter ikke

Kontrollér	Mulig årsag	Fremgangsmåde
Stopkontakt.	Stopkontakten er placeret i stoppositionen.	Sæt stopkontakten i startstilling.
Starthager.	Starthagerne kan ikke bevæge sig frit.	Fjern starterdækslet, og rens rundt om starthagerne. Lad et godkendt serviceværksted hjælpe dig.
Brændstoftank.	Forkert brændstoftype.	Tøm brændstoftanken, og påfyld det rigtige brændstof.
Tændrør.	Tændrøret er snavset eller vådt.	Sørg for, at tændrøret er tørt og rent.
	Tændrørets elektrodeafstand er forkert.	Rens tændrøret. Sørg for, at elektrodeafstanden er korrekt. Sørg for, at tændrøret har en støjdemplingsenhed. Se de tekniske data for korrekt elektrodeafstand.
	Tændrøret er løst.	Spænd tændrøret.

Motoren starter, men stopper igen

Kontrollér	Mulig årsag	Fremgangsmåde
Brændstoftank	Forkert brændstoftype.	Tøm brændstoftanken, og påfyld det rigtige brændstof.
Luftfilter	Luftfilteret er tilstoppet.	Rens luftfilteret.

Transport, opbevaring og bortskaffelse

Transport og opbevaring

- Lad produktet køle af før transport og opbevaring.
- Fjern tændhætten før langtidsopbevaring.
- Fastspænd produktet under transporten. Sørg for, at det ikke kan rykke sig.
- Sørg for, at der ikke er risiko for brændstofudsving, brændstofdampe, gnister og åben ild under transport og opbevaring.

- Fastgør transportbeskyttelsen under transport og opbevaring.
- Rens og udfør service på produktet inden langtidsopbevaring.

Tekniske data

Tekniske data

	325R A05328CBHV
Motor	
Cylindervolumen, cm ³	27,6
Omdrejningstal i tomgang, o/min.	2800-3200
Anbefalet maks. hastighed, o/min.	8000
Strøm/maks. motoreffekt iht. ISO 8893, kW/ o/min	0,9/1,2 ved 8000
Lyddæmper med katalysator	Ja
Omdrejningstal på udgående aksel, o/min	7200
Tændingsystem	
Tændrør	Husqvarna HQT-4
Elektrodeafstand, mm	0,5
Brændstofsistem	
Brændstoftankens kapacitet, l/cm ³	0,343/343
Produktmål	
Vægt, kg	5,5
Støjemissioner¹³	
Lydeffektniveau, målt, udstyret med græsklinge, dB (A)	108
Lydeffektniveau, målt, udstyret med trimmerhoved, dB (A)	110
Lydeffektniveau, garanteret (L _{WA}), udstyret med græsklinge, dB(A)	112
Lydeffektniveau, garanteret (L _{WA}), udstyret med trimmerhoved, dB(A)	114

¹³ Emission af støj til omgivelserne målt som lydeffekt (L_{WA}) i henhold til EF-direktiv 2000/14/EF. Rapporteret lydeffektniveau for produktet er målt med det originale skæreudstyr, der giver det højeste niveau. Forskellen mellem garanteret og målt lydeffekt er, at den garanterede lydeffekt også omfatter spredning i måleresultatet og variationerne mellem forskellige produkter af samme model i henhold til direktivet 2000/14/EF.

	325R A05328CBHV
Lydniveauer¹⁴	
Lydtryksniveau ved operatørens øre, udstyret med græsklinge, dB (A)	96
Lydtryksniveau ved operatørens øre, udstyret med trimmerhoved, dB (A)	95
Vibrationsniveauer¹⁵	
Ækvivalent vibrationsniveau (ahv, eq), udstyret med græsklinge, venstre håndtag, m/s ²	5,1
Ækvivalent vibrationsniveau (ahv, eq), udstyret med græsklinge, højre håndtag, m/s ²	5,7
Ækvivalent vibrationsniveau (ahv, eq), udstyret med trimmerhoved, venstre håndtag, m/s ²	4,1
Ækvivalent vibrationsniveau (ahv, eq), udstyret med trimmerhoved, højre håndtag, m/s ²	4,9

Tilbehør

Tilbehør

Godkendt tilbehør	Type	Beskyttelse til skæreudstyr
Gevindstykke	M10L	
Trimmerhoved	T35, 2,4 mm	588 11 79-01
Græsklinge	Græs 255-4, Ø 250	588 11 79-01

¹⁴ Rapporterede data for ækvivalent lydtrykniveau for produktet har en typisk statistisk spredning (standardafvigelse) på 1 dB(A).

¹⁵ Rapporterede data for ækvivalent vibrationsniveau har en typisk statistisk spredning (standardafvigelse) på 1 m/s².

EU-overensstemmelseserklæring

Indhold i EF-overensstemmelseserklæring

Vi, Husqvarna AB, SE 561 82 Huskvarna, SVERIGE, erklærer under eget ansvar, at det repræsenterede produkt:

Beskrivelse	Benzingræstrimmer/ buskrydder
Mærke	Husqvarna
Platform / type / model	PlatformA05328CBHV, re-præsenterer model 325R.
Batch	Serienumre fra 2018 og fremefter.

overholder følgende EU-direktiver og bestemmelser:

Direktiv/bestemmelser	Beskrivelse
2006/42/EF	"angående maskiner"
2014/30/EU	"angående elektromagnetisk kompatibilitet"
2000/14/EF	"vedrørende udendørs støj"
2011/65/EU	"begrænsning af anvendelsen af visse farlige stoffer"

Harmoniserede standarder og/eller tekniske specifikationer anvendt er som følger: EN ISO 12100, EN ISO 11806-1, CISPR 12, ISO 14982, EN 50581:2012.

I overensstemmelse med direktiv 2000/14/EF, bilag V, er de erklærede lydverdier angivet i afsnittet om tekniske data i denne manual og i den underskrevne EF-overensstemmelseserklæring.

TÜV Rheinland N.A. har udført en frivillig afprøvning på vegne af Husqvarna AB med opnåelse af overensstemmelsesattest iht. Rådets maskindirektiv 2006/42/EF.

Certifikatet, som findes i den underskrevne EF-overensstemmelseserklæring, gælder for alle produktionssteder og oprindelseslande, som angivet på produktet.

Den leverede benzingræstrimmer/buskrydder stemmer overens med det eksemplar, der har gennemgået afprøvningen.

Inhalt

Einleitung.....	81	Fehlersuche.....	93
Sicherheit.....	82	Transport, Lagerung und Entsorgung.....	93
Montage.....	87	Technische Daten.....	94
Betrieb.....	88	Zubehör.....	95
Wartung.....	91	EG-Konformitätserklärung.....	96

Einleitung

Bedienungsanleitung

Die Ausgangssprache dieser Betriebsanleitung ist Englisch. Bedienungsanleitungen in anderen Sprachen sind Übersetzungen aus dem Englischen.

Verwendungszweck

Verwenden Sie das Gerät mit einer Grasklinge oder einem Trimmerkopf, um unterschiedliche Arten von Vegetationen zu schneiden.

Produktübersicht

(Abb. 1)

1. Trimmerkopf
2. Einfüllöffnung für Fett
3. Winkelgetriebe
4. Schutz für die Schneidausrüstung
5. Führungsrohr
6. Stoppschalter
7. Gashebel
8. Gashebelsperre
9. Lenker
10. Tragegurthalter
11. Startvorrichtunggehäuse
12. Zündkappe, Zündkerze
13. Startseilgriff
14. Kraftstofftank
15. Luftfilterdeckel
16. Kraftstoffpumpe
17. Choke-Hebel
18. Handgriffeinstellung
19. Gashebelkabel
20. Taste für Leerlaufanhebung
21. Kabelbaum
22. Gabel-Ringschlüssel
23. Bedienungsanleitung
24. Transportschutz
25. Klinge
26. Stützkappe
27. Stützflansch
28. Kontermutter

Hinweis: Der Betrieb des Geräts kann durch nationale Vorschriften eingeschränkt werden.

29. Mitnehmer
30. Sperrstift
31. Inbusschlüssel

Symbole auf dem Produkt

- (Abb. 2) **WARNUNG!** Dieses Produkt ist gefährlich. Wenn das Produkt nicht sorgfältig und korrekt verwendet wird, kann es zu Verletzungen oder zum Tod des Bedieners oder anderer Personen kommen. Zur Vermeidung von Verletzungen für den Bediener oder umstehende Personen, lesen und befolgen Sie alle Sicherheitshinweise in der Bedienungsanleitung.
- (Abb. 3) Lesen Sie die Bedienungsanleitung sorgfältig durch und machen Sie sich vor der Benutzung mit dem Inhalt vertraut.
- (Abb. 4) Tragen Sie einen Schutzhelm dort, wo Gegenstände auf Sie fallen können. Tragen Sie einen zugelassenen Gehörschutz. Tragen Sie einen zugelassenen Augenschutz.
- (Abb. 5) Tragen Sie zugelassene Schutzhandschuhe.
- (Abb. 6) Tragen Sie robuste und rutschfeste Schuhe.
- (Abb. 7) Die Pfeile zeigen die Grenzwerte für die Position des Griffs.

- (Abb. 8) Das Produkt kann Objekte umherschleudern und Augenverletzungen verursachen.
- (Abb. 9) Maximale Drehzahl der Abtriebswelle.
- (Abb. 10) Halten Sie während des Betriebs des Gerätes einen Mindestabstand von 15 m zu Personen oder Tieren ein.
- (Abb. 11) Falls die Schneidausrüstung auf einen Gegenstand trifft, der nicht sofort geschnitten wird, besteht die Gefahr von Klingenstoß. Das Gerät kann Körperteile abtrennen. Halten Sie während des Betriebs des Gerätes einen Mindestabstand von 15 m zu Personen oder Tieren ein.
- (Abb. 12) Kraftstoffpumpe
- (Abb. 13) Choke.
- (Abb. 14) Alle Körperteile von heißen Oberflächen fernhalten.
- (Abb. 15) Umweltbelastende Geräuschemissionen gemäß der entsprechenden Richtlinie der Europäischen Gemeinschaft. Die Emission des Produkts ist im Abschnitt „Technische Daten“ und auf dem Geräteschild angegeben.
- (Abb. 16) Dieses Gerät entspricht den geltenden CE-Richtlinien.
- (Abb. 17) Dieses Gerät entspricht den geltenden EAC-Richtlinien.

Das Type-nschild zeigt die Seriennummer. **yyyy** ist das Produktionsjahr, **ww** die Produktionswoche und **xxxxx** die Seriennummer.

yyyywwxxxxx

Hinweis: Weitere Symbole/Aufkleber auf dem Gerät beziehen sich auf die Zertifizierungsanforderungen für andere kommerzielle Bereiche.

Produkthaftung

Im Sinne der Produkthaftungsgesetze übernehmen wir keine Haftung für Schäden, die unser Gerät verursacht, wenn...

- das Gerät nicht ordnungsgemäß repariert wurde.
- das Gerät mit Teilen repariert wurde, die nicht vom Hersteller stammen oder vom Hersteller zugelassen sind.
- ein Zubehörteil mit dem Gerät verwendet wird, das nicht vom Hersteller stammt oder vom Hersteller zugelassen ist.
- das Gerät nicht bei einem autorisierten Service Center oder von einem zugelassenen Fachmann repariert wurde.

EU V



WARNUNG: Bei einem Eingriff in den Motor erlischt die EU-Typgenehmigung für dieses Produkt.

Sicherheit

Sicherheitsdefinitionen

Warnungen, Vorsichtsmaßnahmen und Hinweise werden verwendet, um auf besonders wichtige Teile der Bedienungsanleitung hinzuweisen.



WARNUNG: Wird verwendet, wenn bei Nichtbeachtung der Anweisungen in diesem Handbuch die Gefahr von Verletzung oder Tod des Bedieners oder anderer Personen besteht.



ACHTUNG: Wird verwendet, wenn bei Nichtbeachtung der Anweisungen in diesem Handbuch die Gefahr von Schäden am Gerät, an anderen Materialien oder in der Umgebung besteht.

Hinweis: Für weitere Informationen, die in bestimmten Situationen nötig sind.

Vibrationen Sicherheit

Dieses Produkt ist nur für den gelegentlichen Einsatz gedacht. Der kontinuierliche oder regelmäßige Betrieb des Geräts kann „Weißfingerkrankheit“ oder entsprechende gesundheitliche Probleme durch Vibrationen verursachen. Untersuchen Sie den Zustand Ihrer Hände und Finger, wenn Sie das Gerät dauerhaft oder in regelmäßigen Abständen bedienen. Wenn Ihre Hände oder Finger Verfärbungen aufweisen, diese sich taub anfühlen oder Sie Schmerzen oder Kribbeln spüren, unterbrechen Sie die Arbeit, und suchen Sie sofort einen Arzt auf.

Allgemeine Sicherheitshinweise



WARNUNG: Lesen Sie die folgenden Warnhinweise, bevor Sie das Gerät benutzen.

- Verwenden Sie das Gerät ordnungsgemäß. Eine falsche Verwendung kann zu schweren bis tödlichen Verletzungen führen. Verwenden Sie das Gerät nur für die in dieser Betriebsanleitung aufgeführten Arbeiten. Verwenden Sie das Gerät nicht für andere Aufgaben.
- Beachten Sie die Anweisungen in dieser Bedienungsanleitung. Beachten Sie die Symbole und die Sicherheitshinweise. Die Nichtbeachtung der Anweisungen und Symbole kann zu Verletzungen oder zum Tod führen.
- Werfen Sie diese Bedienungsanleitung nicht weg. Verwenden Sie die Anweisungen für das Zusammensetzen und den Betrieb, und halten Sie Ihr Gerät in gutem Zustand. Befolgen Sie die Anweisungen für die korrekte Installation von Anbaugeräten und Zubehörteilen. Verwenden Sie ausschließlich zugelassene Anbaugeräte und Zubehörteile.
- Verwenden Sie das Gerät nicht, wenn es beschädigt ist. Halten Sie sich an den Wartungsplan. Führen Sie nur diejenigen Wartungsarbeiten aus, die Sie in den Anweisungen in dieser Bedienungsanleitung finden. Alle sonstigen Wartungsarbeiten müssen von einer autorisierten Servicewerkstatt durchgeführt werden.
- Diese Bedienungsanleitung kann nicht alle Situationen abdecken, die bei der Verwendung des Geräts auftreten können. Seien Sie immer vorsichtig und arbeiten Sie mit gesundem Menschenverstand. Führen Sie keine Arbeiten mit dem Gerät oder Wartungen am Gerät durch, wenn Sie sich in einer Situation unsicher sind. Wenden Sie sich an einen Produktfachmann, Ihren Fachhändler, Ihren Service Vertreter oder das autorisierte Service Center für weitere Informationen.
- Ziehen Sie den Zündkerzenstecker ab, bevor Sie das Gerät zusammenbauen, einlagern oder warten.
- Verwenden Sie das Gerät nicht, wenn es nicht mehr der ursprünglichen Spezifikation entspricht. Ändern Sie kein Teil des Geräts ohne Genehmigung des Herstellers. Verwenden Sie nur Teile, die vom Gerätehersteller zugelassen sind. Eine falsche Wartung kann zu schweren bis tödlichen Verletzungen führen.
- Atmen Sie die Abgase des Motors nicht ein. Das Einatmen der Motorabgase über längere Zeit kann eine Gefahr für die Gesundheit darstellen.
- Das Gerät sollte nicht im Innenbereich oder in der Nähe von feuergefährlichen Stoffen gestartet werden. Die Abgase sind heiß und können Funken erzeugen, die einen Brand verursachen können. Eine mangelhafte Luftzirkulation kann zu schweren oder tödlichen Verletzungen durch Ersticken oder eine Kohlenmonoxidvergiftung führen.
- Wenn Sie das Gerät nutzen, erzeugt der Motor ein elektromagnetisches Feld. Das elektromagnetische Feld kann medizinische Implantate beschädigen. Sprechen Sie vor der Inbetriebnahme des Geräts mit Ihrem Arzt und dem Hersteller des medizinischen Implantats.
- Lassen Sie nicht zu, dass Kinder das Gerät verwenden. Erlauben Sie nicht, dass Personen ohne Kenntnis der Anweisungen das Gerät bedienen.
- Stellen Sie sicher, dass Personen mit verminderter physischer oder psychischer Leistungsfähigkeit dieses Gerät nicht unbeobachtet verwenden. Es muss immer ein verantwortlicher Erwachsener anwesend sein.
- Verschließen Sie das Gerät in einem Bereich, zum dem Kinder und nicht autorisierte Personen keinen Zugang haben.
- Das Gerät kann Objekte auswerfen und Verletzungen verursachen. Beachten Sie die Sicherheitshinweise, um das Risiko von Verletzungen oder Tod zu verringern.
- Entfernen Sie sich nicht vom Gerät, wenn der Motor eingeschaltet ist.
- Der Bediener des Geräts trägt bei einem Unfall die Verantwortung.
- Überprüfen Sie vor dem Gebrauch das Gerät auf schadhafte Teile.
- Achten Sie vor dem Gebrauch des Geräts darauf, einen Mindestabstand von 15 m von anderen Personen oder von Tieren einzuhalten. Stellen Sie sicher, dass Personen im angrenzenden Bereich wissen, dass Sie das Gerät benutzen.
- Halten Sie sich an nationale und lokale gesetzliche Bestimmungen. Diese können den Betrieb des Geräts unter bestimmten Bedingungen verhindern oder einschränken.
- Verwenden Sie das Gerät nicht, wenn Sie müde sind oder unter Einfluss von Alkohol, Drogen oder Medikamenten stehen, die Ihre Sehkraft, Aufmerksamkeit, Körperkontrolle oder Ihr Urteilsvermögen beeinträchtigen könnten.

Sicherheitshinweise für die Montage



WARNUNG: Lesen Sie die folgenden Warnhinweise, bevor Sie das Gerät benutzen.

- Ziehen Sie die Zündkappe von der Zündkerze ab, bevor Sie das Gerät zusammenbauen.
- Tragen Sie zugelassene Schutzhandschuhe.
- Stellen Sie sicher, dass Sie die Abdeckung und die Welle korrekt zusammenbauen, bevor Sie den Motor starten.
- Das Mitnehmerrad und der Stützflansch müssen korrekt in die Mittelbohrung der Schneidausrüstung einrasten. Eine Schneidausrüstung, die falsch angebracht wurde, kann zu schweren oder sogar tödlichen Verletzungen des Bedieners oder anderer Personen führen.
- Um das Produkt sicher zu bedienen und Verletzungen des Bedieners oder anderer Personen zu vermeiden, muss das Produkt immer korrekt am Tragegurt angebracht sein.

Sicherheitshinweise für den Betrieb



WARNUNG: Lesen Sie die folgenden Warnhinweise, bevor Sie das Gerät benutzen.

- Stellen Sie sicher, dass das Gerät vollständig zusammengebaut ist, bevor Sie es verwenden.
- Stellen Sie das Gerät vor dem Einschalten in einem Abstand von mindestens 3 m von der Stelle ab, wo Sie zuvor den Kraftstofftank gefüllt haben. Stellen Sie das Gerät auf einer ebenen Oberfläche ab. Stellen Sie sicher, dass die Schneidausrüstung nicht den Boden oder ein anderes Objekt berührt.
- Das Gerät kann Objekte umherschleudern und Augenverletzungen verursachen. Tragen Sie immer einen zugelassenen Augenschutz, wenn Sie mit dem Gerät arbeiten.
- Achten Sie darauf, dass sich während der Arbeiten kein Kind unbemerkt dem Gerät nähert.
- Benutzen Sie das Gerät nicht, wenn sich Personen im Arbeitsbereich befinden. Halten Sie das Gerät an, wenn eine Person den Arbeitsbereich betritt.
- Stellen Sie sicher, dass Sie immer die Kontrolle über das Gerät behalten.
- Verwenden Sie das Gerät nicht, wenn Sie bei einem Unfall keine Hilfe holen können. Vergewissern Sie sich immer, dass Dritte von Ihren Arbeiten wissen, bevor Sie das Gerät in Betrieb nehmen.
- Schauen Sie sich immer nach Personen und Tieren im Sicherheitsbereich um, bevor Sie sich mit dem Gerät herumdrehen.
- Entfernen Sie alle unerwünschten Materialien aus dem Arbeitsbereich, bevor Sie beginnen. Wenn die Schneidausrüstung gegen ein Objekt stößt, kann das Objekt umherschleudert werden und

Verletzungen oder Schäden verursachen. Unerwünschtes Material kann sich um die Schneidausrüstung wickeln und Schäden verursachen.

- Verwenden Sie das Gerät nicht bei schlechtem Wetter (Nebel, Regen oder starke Winde, Gewittergefahr oder sonstigen Schlechtwetterbedingungen). Bei schlechtem Wetter könnten sich gefährliche Bedingungen (z. B. rutschige Bodenflächen) einstellen.
- Stellen Sie sicher, dass Sie sich beim Arbeiten frei bewegen und stabil stehen können.

(Abb. 18)

- Vermeiden Sie Situationen, in denen Sie fallen könnten, wenn Sie mit dem Gerät arbeiten. Neigen Sie sich nicht bei der Arbeit mit dem Gerät.
- Halten Sie das Gerät immer mit beiden Händen fest. Halten Sie das Gerät auf der rechten Seite des Körpers.

(Abb. 19)

- Betreiben Sie das Produkt mit der Schneidausrüstung unter Hüfthöhe.
- Wenn sich beim Motorstart der Choke in der Choke-Stellung befindet, beginnt sich die Schneidausrüstung zu drehen.
- Berühren Sie das Winkelgetriebe nicht direkt nach dem Abstellen des Motors. Das Winkelgetriebe ist nach dem Abstellen des Motors noch heiß. Heiße Stellen können zu Verletzungen führen.
- Stellen Sie den Motor ab, bevor Sie das Gerät transportieren.
- Legen Sie das Gerät auf keinen Fall ab, solange der Motor läuft.
- Stellen Sie vor dem Entfernen unerwünschter Materialien den Motor ab und warten Sie, bis die Schneidausrüstung stillsteht. Lassen Sie die Schneidausrüstung anhalten, bevor Sie oder ein Helfer das geschnittene Material entfernen.

Persönliche Schutzausrüstung



WARNUNG: Lesen Sie die folgenden Warnhinweise, bevor Sie das Gerät benutzen.

- Verwenden Sie immer geeignete persönliche Schutzausrüstung bei der Benutzung des Geräts. Das Tragen persönlicher Schutzausrüstung schließt das Risiko von Verletzungen nicht aus. Das Tragen persönlicher Schutzausrüstung verringert das Ausmaß der Verletzungen bei einem Unfall.
- Tragen Sie immer einen zugelassenen Augenschutz beim Arbeiten mit dem Gerät.
- Arbeiten Sie mit dem Gerät nicht barfuß oder mit offenen Schuhen. Tragen Sie stets robuste und rutschfeste Schuhe.
- Tragen Sie schwere, lange Hosen.
- Tragen Sie bei Bedarf auch zugelassene Schutzhandschuhe.

- Tragen Sie einen Helm, wenn Ihnen Gegenstände auf den Kopf fallen könnten.
- Tragen Sie immer einen zugelassenen Gehörschutz beim Arbeiten mit dem Gerät. Lärmbelastung über einen längeren Zeitraum kann zu lärmbedingten Hörschäden führen.
- Vergewissern Sie sich, dass Sie einen Erste-Hilfe-Kasten griffbereit haben.

Sicherheitsvorrichtungen am Gerät



WARNUNG: Lesen Sie die folgenden Warnhinweise, bevor Sie das Gerät benutzen.

- Benutzen Sie kein Gerät mit defekten Sicherheitsvorrichtungen.
- Führen Sie regelmäßig eine Überprüfung der Sicherheitsvorrichtungen durch. Siehe *Produktübersicht auf Seite 81*.
- Wenn die Sicherheitsvorrichtungen defekt sind, wenden Sie sich an Ihre Husqvarna-Servicewerkstatt.

Gashebelsperre

Die Gashebelsperre arretiert den Gashebel. (Abb. 20)

Drücken Sie die Gashebelsperre (A), um den Gashebel (B) freizugeben. Wenn Sie den Griff loslassen, kehren Gashebelsperre und Gashebel wieder in die Ausgangsstellung zurück.

1. Stellen Sie sicher, dass der Gashebel (B) im Leerlauf arretiert ist, wenn Sie die Gashebelsperre (A) lösen.
2. Drücken Sie die Gashebelsperre (A) und kontrollieren Sie, ob sie beim Loslassen in die Ausgangsstellung zurückkehrt.
3. Drücken Sie den Gashebel (B) und kontrollieren Sie, ob er beim Loslassen in die Ausgangsstellung zurückkehrt.

Starten Sie den Motor, und geben Sie Vollgas. Lassen Sie den Gashebel los und kontrollieren Sie, ob die Schneidausrüstung stehen bleibt. Wenn sich die Schneidausrüstung dreht, während der Gashebel auf Leerlauf steht, überprüfen Sie die Einstellschraube für den Leerlauf am Vergaser.

Stoppshalter

Motor starten. Kontrollieren Sie, dass der Motor anhält, wenn Sie den Schalter auf die Stopp-Position stellen.

(Abb. 21)

Schutz für die Schneidausrüstung

Die Schutzvorrichtung der Schneidausrüstung verhindert, dass ein loser Fremdkörper in Richtung des Fahrers geschleudert wird.

(Abb. 22)

Überprüfen Sie den Schutz der Schneidausrüstung auf Beschädigung und ersetzen Sie ihn gegebenenfalls. Verwenden Sie nur die zugelassene Schutzvorrichtung für die Schneidausrüstung.

Schalldämpfer

- Verwenden Sie keinen Motor mit defektem Schalldämpfer. Ein beschädigter Schalldämpfer erhöht den Geräuschpegel und die Brandgefahr. Halten Sie stets einen Feuerlöscher griffbereit.
- Überprüfen Sie regelmäßig, ob der Schalldämpfer mit dem Gerät verbunden ist.
- Berühren Sie den Motor oder den Schalldämpfer nicht, solange der Motor eingeschaltet ist. Warten Sie nach dem Abstellen des Motors eine Weile, bevor Sie den Motor oder den Schalldämpfer berühren. Heiße Oberflächen können zu Verletzungen führen.
- Ein heißer Schalldämpfer kann einen Brand verursachen. Seien Sie vorsichtig, wenn Sie das Gerät in der Nähe von entzündlichen Flüssigkeiten oder Gasen verwenden.
- Berühren Sie keine Teile im Schalldämpfer, wenn der Schalldämpfer beschädigt ist. Diese Teile können krebserregende Stoffe enthalten.

Kontermutter

Die Kontermutter wird zum Sichern bestimmter Schneidausrüstung verwendet.

(Abb. 23)

Wenn Sie die Kontermutter montieren, ziehen Sie sie in die der Drehrichtung der Schneidausrüstung entgegengesetzte Richtung an.

Funktion zum Lösen des Tragegurts



WARNUNG: Verwenden Sie den Tragegurt nicht, wenn die Funktion zum Lösen defekt ist. Stellen Sie sicher, dass die Funktion zum Lösen des Tragegurts korrekt funktioniert, wenn Sie das Gerät einstellen.

Die Funktion zum Lösen des Tragegurts befindet sich vorn am Gerät. Die Riemen des Tragegurts müssen sich stets in der richtigen Position befinden.

(Abb. 24)

Im Notfall hilft Ihnen die Funktion zum Lösen des Tragegurts dabei, sich sicher von dem Gerät zu lösen.

Schneidausrüstung



WARNUNG: Lesen Sie die folgenden Warnhinweise, bevor Sie das Gerät benutzen.

- Führen Sie die regelmäßigen Wartungen aus. Lassen Sie ein autorisiertes Service Center die

Schneidusrüstung regelmäßig überprüfen, um Einstellungen oder Reparaturen vorzunehmen.

- Dies erhöht die Leistung der Schneidusrüstung.
- Die Lebensdauer der Schneidusrüstung steigt.
- Die Gefahr von Unfällen sinkt.
- Verwenden Sie ausschließlich eine für die Schneidusrüstung zugelassene Schutzvorrichtung. Weitere Informationen finden Sie unter *Zubehör auf Seite 95*.
- Verwenden Sie keine beschädigte Schneidusrüstung.

Grasklingen und Grasmesser

- Verwenden Sie das Gerät mit einer zugelassenen Grasklinge. Verwenden Sie keine Grasklinge ohne eine korrekte Installation aller erforderlichen Teile. Stellen Sie sicher, dass die Installation abgeschlossen ist und dass die richtigen Teile verwendet werden. Eine fehlerhafte Installation kann dazu führen, dass die Klinge sich löst und schwere Verletzungen des Bedieners oder umstehender Personen verursacht.
 - Tragen Sie bei der Handhabung und bei der Wartung der Klinge Schutzhandschuhe.
 - Verwenden Sie beim Bedienen eines Geräts mit Grasklinge einen Kopfschutz.
 - Grasklingen und Grasmesser werden zum Mähen von hohem Gras verwendet.
 - Eine Grasklinge kann zu Verletzungen führen, während sie weiter dreht, nachdem der Motor gestoppt oder der Gashebel losgelassen wurde. Stellen Sie sicher, dass die Klinge vollständig zum Stillstand gekommen ist, bevor Sie Wartungsarbeiten vornehmen.
 - Stellen Sie den Motor immer ab, bevor irgendwelche Arbeiten an der Schneidusrüstung ausgeführt werden. Stellen Sie sicher, dass die Schneidusrüstung vollständig zum Stillstand gekommen ist. Ziehen Sie das Zündkerzenkabel von der Zündkerze ab.
 - Verwenden Sie nur zugelassene Schneidusrüstung oder eine korrekt geschärfte Klinge.
 - Halten Sie die Schneidzähne der Klinge stets korrekt und gut geschärft!
- (Abb. 25)
- Verwenden Sie keine beschädigte Schneidusrüstung.
 - Befestigen Sie für Transport und Lagerung des Geräts den Transportschutz an der Klinge.

Klingenstoß

- Ein Klingenstoß ist eine plötzliche Bewegung des Geräts zur Seite, nach vorn oder nach hinten. Ein Klingenstoß tritt auf, wenn die Grasklinge oder Sägeklinge auf ein Objekt trifft, das nicht geschnitten werden kann. In Bereichen, in denen das zu schneidende Material schwer zu sehen ist, ist das Risiko eines Klingenstoßes erhöht.

- Wenn ein Klingenstoß auftritt, besteht das Risiko, dass das Gerät oder der Bediener ihre Position ändern. Eine sich bewegende Klinge kann umstehende Personen treffen und Verletzungen verursachen.
- Entsorgen Sie verbogene, gerissene oder beschädigte Klingen.
- Arbeiten Sie stets mit einer gut geschärften Klinge. Die Gefahr eines Klingenstoßes nimmt zu, wenn die Klinge nicht scharf ist.

Sicherer Umgang mit Kraftstoff



WARNUNG: Lesen Sie die folgenden Warnhinweise, bevor Sie das Gerät benutzen.

- Mischen Sie den Kraftstoff weder im Innenbereich noch in der Nähe einer Wärmequelle.
- Starten Sie das Gerät nicht, wenn sich Kraftstoff oder Öl darauf befindet. Entfernen Sie den unerwünschten Kraftstoff bzw. das Öl und lassen Sie das Gerät trocknen. Entfernen Sie unerwünschten Kraftstoff aus dem Gerät.
- Wechseln Sie sofort die Kleidung, wenn Sie Kraftstoff darauf verschütten.
- Lassen Sie keinen Kraftstoff auf Ihren Körper gelangen, denn dies kann zu Verletzungen führen. Wenn Kraftstoff auf Ihre Haut gelangt, diesen mit Wasser und Seife abwaschen.
- Starten Sie den Motor niemals, wenn Sie Öl oder Kraftstoff auf das Gerät oder auf Ihren Körper verschüttet haben.
- Starten Sie das Gerät nicht, wenn der Motor undicht ist. Überprüfen Sie den Motor regelmäßig auf Undichtigkeiten.
- Gehen Sie vorsichtig mit Kraftstoff um. Kraftstoff ist feuergefährlich, und die Dämpfe sind explosiv und können zu Verletzungen oder sogar zum Tod führen.
- Atmen Sie die Kraftstoffdämpfe nicht ein, denn sie sind gesundheitsschädigend. Achten Sie auf ausreichende Belüftung.
- Rauchen Sie nicht in der Nähe des Kraftstoffs oder des Motors.
- Stellen Sie keine heißen Gegenstände in der Nähe des Kraftstoffs oder Motors ab.
- Füllen Sie keinen Kraftstoff nach, während der Motor läuft.
- Vergewissern Sie sich, dass der Motor abgekühlt ist, bevor Sie Kraftstoff nachfüllen.
- Öffnen Sie vor dem Nachfüllen den Tankdeckel langsam und lassen Sie den Druck vorsichtig entweichen.
- Füllen Sie keinen Kraftstoff in den Motor, wenn Sie sich in einem Innenraum befinden. Eine mangelhafte Luftzirkulation kann zu schweren oder tödlichen Verletzungen durch Ersticken oder eine Kohlenmonoxidvergiftung führen.

- Drehen Sie den Tankdeckel sorgfältig zu, da ansonsten Brandgefahr besteht.
- Stellen Sie vor dem Einschalten das Gerät in einem Abstand von mindestens 3 m von der Stelle auf, wo Sie den Tank befüllt haben.
- Überfüllen Sie den Kraftstofftank nicht.
- Stellen Sie sicher, dass kein Kraftstoff austreten kann, wenn Sie das Gerät oder den Kraftstoffbehälter transportieren.
- Bewegen Sie sich mit dem Gerät oder einen Kraftstoffbehälter nicht in Bereichen mit offenem Feuer, Funkenbildung oder Zündflammen. Stellen Sie sicher, dass sich im Lagerbereich keine offene Feuerquelle befindet.
- Verwenden Sie nur zugelassene Behälter, wenn Sie den Kraftstoff transportieren oder lagern Sie den Kraftstoff ein.
- Leeren Sie den Kraftstofftank, bevor Sie das Gerät für längere Zeit einlagern. Entsorgen Sie den Kraftstoff an Orten, die durch die lokalen gesetzlichen Bestimmungen dafür vorgesehen sind.
- Reinigen Sie das Gerät, bevor Sie es für längere Zeit einlagern.
- Ziehen Sie das Zündkerzenkabel ab, bevor Sie das Gerät einlagern, um sicherzustellen, dass der Motor nicht unbeabsichtigt starten kann.

Sicherheitshinweise für die Wartung



WARNUNG: Lesen Sie die folgenden Warnhinweise, bevor Sie das Gerät warten.

- Sie dürfen nur die Wartungs- und Servicearbeiten ausführen, die in dieser Bedienungsanleitung beschrieben sind. Lassen Sie professionelles Wartungspersonal alle anderen Wartungsarbeiten und Reparaturen durchführen.
- Die Kontroll-, Wartungs- und Serviceanweisungen in dieser Bedienungsanleitung sind regelmäßig durchzuführen. Durch eine regelmäßige Wartung verlängert sich die Lebensdauer des Geräts und verringert sich die Gefahr von Unfällen. Eine Anleitung finden Sie in *Wartungsplan auf Seite 91*.
- Wenn die Sicherheitskontrollen in dieser Bedienungsanleitung nach Wartungsarbeiten nicht genehmigt werden, wenden Sie sich an Ihren Kundendienst. Wir garantieren Ihnen, dass für Ihr Gerät professionelle Service- und Reparaturdienste verfügbar sind.

Montage

Einleitung



WARNUNG: Vor dem Betrieb des Gerätes müssen Sie die Sicherheitsinformationen lesen und verstehen.



WARNUNG: Ziehen Sie den Zündkerzenstecker von der Zündkerze ab, bevor Sie das Gerät zusammenbauen.

So montieren Sie den Lenker

1. Entfernen Sie die Schraube hinter dem Gashandgriff. (Abb. 26)
2. Bewegen Sie den Gashandgriff auf die rechte Seite des Lenkers.
3. Richten Sie das Loch hinter dem Gashandgriff am Loch im Lenker aus.
4. Schieben Sie die Schraube durch die Löcher. Ziehen Sie die Schraube an.
5. Befestigen Sie den Lenker zwischen den Pfeilen auf der Welle. Ziehen Sie die Schraube an. (Abb. 27)

Befestigung des Tragegurthalters

1. Setzen Sie den Tragegurthalter auf die Welle mit der Schlaufe des Tragegurthalters nach oben. Setzen Sie den Tragegurthalter über die Pfeile auf die Welle.

2. Setzen Sie das Gashebelkabel unten in die Nut des Tragegurthalters ein.
3. Richten Sie die Schraubenbohrungen der Tragegurthalterung aus.
4. Setzen Sie 2 Schrauben in die Schraubenlöcher ein.
5. Ziehen Sie die Schrauben an.

So montieren Sie die Schneidusrüstung

So montieren Sie den Schneidusrüstungsschutz

1. Setzen Sie den Schneidusrüstungsschutz (A) auf die Welle. (Abb. 28)
2. Drücken Sie die Halterung (B) in den Schlitz auf dem Schneidusrüstungsschutz.
3. Stecken Sie die Schraube (C) durch das Loch an der Halterung und befestigen Sie diese am Schneidusrüstungsschutz.

So montieren Sie den Grasklinge

1. Stellen Sie sicher, dass der Schneidusrüstungsschutz (A) am Gerät befestigt ist. Siehe *So montieren Sie den Schneidusrüstungsschutz auf Seite 87*. (Abb. 29)
2. Stecken Sie den Sperrstift (B) in das Loch, so dass die Welle fixiert ist.

3. Montieren Sie die Klinge (E), die Stützkappe (F) und den Stützflansch (G) an der Abtriebswelle (D).
4. Stellen Sie sicher, dass das Mitnehmerrad (C) korrekt in die mittlere Öffnung der Klinge greift. (Abb. 30)
5. Die Kontermutter (H) auf die Abtriebswelle setzen. Halten Sie den Schaft des Kombischlüssels nahe dem Schneidausrüstungsschutz. Drehen Sie den Kombischlüssel fest gegen den Uhrzeigersinn, um die Kontermutter festzuziehen. Ziehen Sie die Kontermutter mit 35-50 Nm an.
6. Entfernen Sie den Arretierungsstift.

So montieren Sie den Trimmerkopf

1. Stellen Sie sicher, dass der Schneidausrüstungsschutz (A) am Gerät befestigt

- ist. Siehe *So montieren Sie den Schneidausrüstungsschutz auf Seite 87*. (Abb. 31)
2. Stellen Sie sicher, dass das Mitnehmerrad (C) an der Abtriebswelle (D) befestigt ist.
 3. Stecken Sie den Sperrstift (B) in das Loch, so dass die Welle fixiert ist.
 4. Montieren Sie den Trimmerkopf (E) an der Abtriebswelle.
 5. Drehen Sie den Trimmerkopf gegen den Uhrzeigersinn, um ihn an der Abtriebswelle zu festzuziehen. (Abb. 32)
 6. Entfernen Sie den Arretierungsstift.

Betrieb

Einleitung



WARNUNG: Vor dem Betrieb des Gerätes müssen Sie die Sicherheitsinformationen lesen und verstehen.

Kraftstoff

Dieses Produkt verfügt über einen Zweitaktmotor.



ACHTUNG: Die Verwendung eines falschen Kraftstoffs kann zu einer Beschädigung des Motors führen. Verwenden Sie eine Mischung aus Benzin und Zweitaktöl.

Vorgemischter Kraftstoff

- Verwenden Sie Husqvarna vorgemischten Alkylatkraftstoff von hoher Qualität. Dies sorgt für die beste Leistung und eine Verlängerung der Lebensdauer des Motors. Im Vergleich zu herkömmlichem Kraftstoff enthält dieser Kraftstoff weniger gesundheitsschädliche Substanzen, wodurch der Ausstoß schädlicher Abgase verringert wird. Die Menge von Rückständen nach der Verbrennung ist bei diesem Kraftstoff niedriger. Dadurch bleiben die Bauteile des Motors sauberer.

So mischen Sie Kraftstoff vor

Benzin



ACHTUNG: Verwenden Sie kein Benzin mit einer geringeren Oktanzahl als 90 RON (87 AKI). Dies kann das Gerät beschädigen.



ACHTUNG: Verwenden Sie kein Benzin mit einer höheren Ethanolkonzentration als 10 % (E10). Dies kann das Gerät beschädigen.

- Verwenden Sie immer frisches bleifreies Benzin mit einer Oktanzahl von mindestens 90 RON (87 AKI) und einer Ethanolkonzentration unter 10 % (E10).
- Verwenden Sie Benzin mit einer höheren Oktanzahl, wenn Sie das Gerät häufig und bei kontinuierlicher hoher Motordrehzahl verwenden.

Zweitaktöl

- Verwenden Sie für beste Ergebnisse und die beste Leistung Husqvarna Zweitaktöl.
- Wenn Husqvarna Zweitaktöl nicht verfügbar ist, verwenden Sie ein qualitativ hochwertiges Zweitaktöl für luftgekühlte Motoren. Wenden Sie sich an Ihren Kundendienst zur Auswahl der richtigen Ölsorte.



ACHTUNG: Verwenden Sie kein Zweitaktöl für wassergekühlte Außenbordmotoren (auch Outboardoil genannt). Verwenden Sie kein Öl für Viertaktmotoren.

So mischen Sie Benzin und Zweitaktöl

Benzin, Liter	Zweitaktöl, Liter
	2 % (50:1)
5	0,10
10	0,20
15	0,30
20	0,40



ACHTUNG: Beim Mischen kleiner Kraftstoffmengen wirken sich auch kleine Abweichungen bei der Ölmenge stark auf das Mischungsverhältnis aus. Um das

korrekte Mischungsverhältnis sicherzustellen, muss die beizumischende Ölmenge genau abgemessen werden.

(Abb. 33)

1. Füllen die Hälfte des Benzins in einen sauberen Kraftstoffbehälter.
2. Fügen Sie die gesamte Menge Öl hinzu.
3. Schütteln Sie die Kraftstoffmischung.
4. Geben Sie dann den Rest des Benzins in den Behälter dazu.
5. Schütteln Sie die Kraftstoffmischung sorgfältig.



ACHTUNG: Mischen Sie Kraftstoff höchstens für einen Monat im Voraus.

So füllen Sie Kraftstoff nach

- Verwenden Sie immer einen Kraftstoffbehälter mit einem Überfüllungsschutz.
- Wenn sich noch Kraftstoff auf dem Behälter befindet, entfernen Sie diesen und lassen Sie den Behälter trocknen.
- Stellen Sie sicher, dass der Bereich um den Tankverschluss sauber ist.
- Schütteln Sie den Kraftstoffbehälter, bevor Sie das Kraftstoffgemisch in den Kraftstofftank einfüllen.

So fahren Sie den Motor ein

- Geben Sie während der ersten 10 Betriebsstunden nicht über einen längeren Zeitraum Vollgas ohne Last.

Starten und stoppen

So führen Sie eine Untersuchung vor dem Start durch

1. Stellen Sie sicher, dass sich auf dem Produkt keine fehlenden, beschädigten, losen oder abgenutzten Teile befinden.
2. Stellen Sie sicher, dass alle Muttern, Schrauben und Bolzen angezogen sind.
3. Stellen Sie sicher, dass die Klingen und der Trimmerkopf nicht beschädigt sind.
4. Stellen Sie sicher, dass die Kontermutter festgezogen ist. Siehe *So überprüfen Sie die Kontermutter auf Seite 92*.
5. Vergewissern Sie sich, dass der Luftfilter nicht verstopft ist.
6. Stellen Sie sicher, dass die Sicherheitsvorrichtungen am Gerät nicht beschädigt sind.
7. Stellen Sie sicher, dass am Gerät kein Kraftstoff ausläuft.

So stellen Sie den Tragegurt ein



WARNUNG: Das Gerät muss immer sicher am Tragegurt befestigt sein. Verwenden Sie den Tragegurt nicht, wenn er defekt ist.

1. Den Tragegurt anlegen.
2. Verbinden Sie das Gerät mit dem Tragegurt.
3. Stellen Sie den Tragegurt auf die optimale Arbeitsstellung ein.
4. Stellen Sie den Seitenriemen so ein, dass das Gewicht des Geräts gleichmäßig auf Ihren Schultern verteilt ist. (Abb. 34)
5. Stellen Sie den Tragegurt so ein, dass die Schneidausrüstung parallel zum Boden hängt.
6. Die Schneidausrüstung leicht auf dem Boden aufliegen lassen. Stellen Sie den Tragegurthalter ein, um das Gerät korrekt auszubalancieren.

Hinweis: Wenn Sie eine Grasklinge verwenden, muss sie sich ca. 10 cm über dem Boden befinden.

So starten Sie bei kaltem Motor

1. Drücken Sie 10-mal auf die Kraftstoffpumpenblase. (Abb. 35)
2. Ziehen Sie den Choke-Hebel nach oben. (Abb. 36)
3. Drücken Sie den Gerätekörper mit der linken Hand gegen den Boden. (Abb. 37) Treten Sie nicht auf das Produkt. Ziehen Sie langsam am Startseilhandgriff, bis Sie einen Widerstand spüren. Ziehen Sie dann mit Kraft am Startseil.

Hinweis: Betätigen Sie nicht den Gashebel, während Sie den Motor starten.

4. Ziehen Sie weiter am Startseilhandgriff, bis der Motor anspringt oder versucht zu starten (max. 3 Mal). Wenn der Motor anspringt oder versucht zu starten, drücken Sie den Choke nach unten. Ziehen Sie weiter, bis der Motor anspringt. Warten Sie 60 Sekunden lang nach einem Start, bevor Sie den Gashebel betätigen.



ACHTUNG: Ziehen Sie das Startseil nicht bis zum Anschlag heraus. Lassen Sie das Startseil nicht los, wenn es vollständig ausgezogen ist. Lösen Sie das Startseil langsam. Bei Nichtbeachtung dieser Anweisungen kann es zu einer Beschädigung des Motors kommen.

So starten Sie einen warmen Motor

1. Drücken Sie 10-mal auf die Kraftstoffpumpenblase.
2. Ziehen Sie am Startseil, bis der Motor anspringt.

So starten Sie den Motor, wenn der Kraftstoff zu heiß ist

Wenn das nicht Gerät startet, kann dies darauf zurückzuführen sein, dass der Kraftstoff zu heiß ist.

Hinweis: Verwenden Sie stets neuen Kraftstoff, und verringern Sie bei warmem Wetter die Betriebszeit.

1. Stellen Sie das Gerät an einem kühlen Ort ab, wo es keiner direkten Sonneneinstrahlung ausgesetzt ist.
2. Lassen Sie das Gerät mindestens 20 Minuten lang abkühlen.
3. Drücken Sie die Kraftstoffpumpenblase wiederholt 10-15 Sekunden.
4. Gehen Sie wie beim Starten eines kalten Motors vor. Siehe *So starten Sie bei kaltem Motor auf Seite 89*.

So stoppen Sie das Gerät

- Drücken Sie den Stoppschalter, um den Motor auszustellen. (Abb. 21)

Hinweis: Der Stoppschalter kehrt dann automatisch wieder in seine Ausgangsstellung zurück.

So arbeiten Sie mit dem Rasentrimmer



ACHTUNG: Stellen Sie sicher, dass Sie nach jedem Betrieb den Motor wieder in den Leerlauf drosseln. Wenn der Motor längere Zeit bei voller Drehzahl ohne Last läuft, kann er dadurch beschädigt werden.

Hinweis: Reinigen Sie die Abdeckung des Trimmerkopfes, wenn Sie einen neuen Trimmerfaden befestigen, um Schwingungen zu vermeiden. Untersuchen Sie andere Teile der Trimmerkopfes und reinigen Sie diese, falls erforderlich.

So trimmen Sie Gras

1. Halten Sie den Trimmerkopf nah über dem Boden und neigen Sie ihn dabei etwas. Drücken Sie den Trimmerfaden nicht in das Gras. (Abb. 38)
2. Verringern Sie die Länge des Trimmerfadens um 10-12 cm.
3. Senken Sie die Motordrehzahl, um das Risiko, Pflanzen zu beschädigen, zu verringern.
4. Arbeiten Sie mit 80 % Gas, wenn Sie Gras in der Nähe von Objekten schneiden. (Abb. 39)

So mähen Sie den Rasen

1. Stellen Sie sicher, dass der Trimmerfaden beim Schneiden parallel zum Boden läuft. (Abb. 40)
2. Drücken Sie den Trimmerkopf nicht auf den Boden. Dies kann das Gerät beschädigen.

3. Schwenken Sie das Gerät von Seite zu Seite, während Sie das Gras schneiden. Geben Sie Vollgas. (Abb. 41)

So schneiden Sie Gras mit einer Grasklinge frei

1. Grasklingen und Grasmesser dürfen nicht für verholzte Stämme verwendet werden.
2. Für alle Arten von hohem oder dichtem Gras wird die Grasklinge benutzt.
3. Gras wird mit einer pendelnden seitlichen Bewegung gemäht, wobei bei der Bewegung von rechts nach links gemäht wird und die Rückholbewegung von links nach rechts erfolgt. Lassen Sie die Klinge mit der linken Seite mähen (Klingenbereich zwischen 8 und 12 Uhr).
4. Wird die Klinge beim Mähen etwas nach links geneigt, bleibt der Grasschnitt in einer Bahn liegen, was das Aufsammeln z. B. durch Harken erleichtert.
5. Bemühen Sie sich, rhythmisch zu arbeiten. Mit gespreizten Beinen stehen Sie am sichersten. Gehen Sie nach der Rückholbewegung vorwärts und suchen Sie wieder einen festen Stand.
6. Stützen Sie die Stützkappe leicht auf dem Boden ab. Sie dient dazu, die Klinge vor Bodenberührung zu schützen.
7. Verringern Sie die Gefahr, dass sich Material um die Klinge wickelt, indem Sie immer mit Vollgas arbeiten und vermeiden, das geschnittene Material bei der Rückholbewegung zu berühren.
8. Stellen Sie den Motor ab, nehmen Sie den Gurt ab und legen Sie das Gerät auf den Boden, bevor Sie das Schnittgut aufsammeln.

Kopf des Rasentrimmers

- Wickeln Sie den Faden des Rasentrimmers straff und gleichmäßig um die Trommel, um Vibrationen zu vermeiden.
- Verwenden Sie nur zugelassene Rasentrimmerköpfe und Rasentrimmerfäden. Siehe *Zubehör auf Seite 95*.
- Verwenden Sie einen Rasentrimmerfaden mit korrekter Länge. Ein langer Rasentrimmerfaden verbraucht mehr Motorleistung als ein kurzer Rasentrimmerfaden.
- Achten Sie darauf, dass das Messer an der Schutzvorrichtung der Schneidausrüstung nicht beschädigt ist.
- Weichen Sie den Rasentrimmerfaden zwei Tage lang in Wasser ein, bevor Sie ihn am Gerät befestigen. Dies erhöht die Lebensdauer des Rasentrimmerfadens.

So tauschen Sie den Trimmerfaden aus

- (Abb. 42)
- (Abb. 43)
- (Abb. 44)
- (Abb. 45)

Wartung

Einleitung



WARNUNG: Bevor Sie eine Wartung durchführen, müssen Sie das Kapitel über die Sicherheit lesen und verstehen.

Für alle Wartungs- und Reparaturarbeiten am Produkt ist eine spezielle Schulung erforderlich. Wir garantieren die Verfügbarkeit von professionellen Reparaturen und Wartungsarbeiten. Wenn Ihr Händler keine Servicewerkstatt ist, sprechen Sie mit ihm, um Informationen über die nächste Servicewerkstatt zu erhalten.

Wartungsplan

Wöchentliche Wartung

- Reinigen Sie die Außenflächen.
- Vergewissern Sie sich, dass sich die Schneidausrüstung im Leerlauf nicht bewegt. Siehe *So stellen Sie die Leerlaufdrehzahl ein auf Seite 91*.
- Überprüfen Sie den Schmierfettstand im Winkelgetriebe. Siehe *So fetten Sie das Winkelgetriebe nach auf Seite 92*.
- Überprüfen Sie die Kontermutter. Siehe *So überprüfen Sie die Kontermutter auf Seite 92*.

Monatliche Wartung

- Stellen Sie sicher, dass Startseil und Startseilgriff nicht beschädigt sind.

Jährliche Wartung

- Überprüfen Sie die Zündkerze. Siehe *So überprüfen Sie die Zündkerze auf Seite 91*.
- Reinigen Sie die Außenflächen des Vergasers und die angrenzenden Bereiche.
- Reinigen Sie das Kühlsystem.
- Überprüfen Sie den Funkenschutz. Siehe *So warten Sie den Funkenschutz auf Seite 91*.
- Überprüfen Sie den Kraftstofffilter.
- Vergewissern Sie sich, dass der Kraftstoffschlauch nicht beschädigt ist.
- Stellen Sie sicher, dass Kabel und Anschlüsse am Gerät nicht beschädigt sind.

So stellen Sie die Leerlaufdrehzahl ein

- Stellen Sie sicher, dass der Luftfilter sauber ist und der Luftfilterdeckel befestigt wurde, bevor Sie die Leerlaufdrehzahl einstellen.

- Stellen Sie die Leerlaufdrehzahl mit der zugehörigen Einstellschraube T ein, die mit der „T“-Markierung versehen ist.
- Die Leerlaufdrehzahl ist richtig eingestellt, wenn der Motor in allen Stellungen gleichmäßig läuft. Die Leerlaufdrehzahl muss niedriger sein als die Geschwindigkeit, bei der sich die Schneidausrüstung zu drehen beginnt.

1. Drehen Sie die Einstellschraube im Uhrzeigersinn, bis die Schneidausrüstung sich zu drehen beginnt. (Abb. 50)
2. Drehen Sie die Einstellschraube gegen den Uhrzeigersinn, bis die Schneidausrüstung stehen bleibt.

So warten Sie den Funkenschutz

Reinigen Sie den Funkenschutz mit einer Drahtbürste. (Abb. 51)

So reinigen Sie das Kühlsystem

Reinigen Sie die Teile des Kühlsystems mit einer Bürste.

(Abb. 52)

So überprüfen Sie die Zündkerze



ACHTUNG: Verwenden Sie die empfohlene Zündkerze. Stellen Sie sicher, dass ein Ersatzteil mit dem vom Hersteller gelieferten Teil identisch ist. Eine falsche Zündkerze kann zu Schäden am Gerät führen.

1. Überprüfen Sie die Zündkerze, wenn...
 - a) der Motor zu wenig Leistung erbringt.
 - b) der Motor sich nicht leicht starten lässt.
 - c) der Motor nicht ordnungsgemäß im Leerlauf funktioniert.
2. Untersuchen Sie die Zündkerze auf unerwünschtes Material, wenn sich der Motor nicht leicht starten und betreiben lässt. So verringern Sie die Gefahr von unerwünschtem Material an den Elektroden der Zündkerze:
 - a) Vergewissern Sie sich, dass die Leerlaufdrehzahl richtig eingestellt ist.
 - b) Vergewissern Sie sich, dass das Kraftstoffgemisch korrekt ist.
 - c) Vergewissern Sie sich, dass der Luftfilter sauber ist.
3. Reinigen Sie die Zündkerze, wenn sie schmutzig ist. Kontrollieren Sie, dass der Elektrodenabstand korrekt ist. (Abb. 53)

4. Tauschen Sie die Zündkerze bei Bedarf aus.

So warten Sie den Luftfilter

Reinigen des Luftfilters

1. Nehmen Sie Luftfilterdeckel und Luftfilter ab. (Abb. 54)
2. Reinigen Sie den Luftfilter mit warmer Seifenlauge. Achten Sie darauf, dass der Luftfilter trocken ist, bevor Sie ihn wieder einbauen.
3. Tauschen Sie den Luftfilter aus, falls er für eine Reinigung zu stark verschmutzt ist. Tauschen Sie einen beschädigten Luftfilter unbedingt aus.
4. Wenn sich in Ihrem Gerät ein Luftfilter aus Schaumstoff befindet, tragen Sie Luftfilteröl auf. Verwenden Sie Luftfilteröl ausschließlich bei Schaumstofffiltern. Tragen Sie auf keinen Fall Öl auf einen Filzfilter auf.

So tragen Sie Luftfilteröl auf den Luftfilter auf



ACHTUNG: Verwenden Sie grundsätzlich spezielles Luftfilteröl auf Schaumstoff-Luftfiltern. Verwenden Sie keine anderen Arten von Öl.



WARNUNG: Lassen Sie das Öl nicht auf die Haut kommen.

1. Nehmen Sie Luftfilterdeckel und Luftfilter ab. (Abb. 55)
2. Stecken Sie den Luftfilter in einen Plastikbeutel.
3. Schütten Sie das Luftfilteröl in den Plastikbeutel. (Abb. 56)
4. Drücken Sie die Plastiktüte, um sicherzustellen, dass sich das Öl gleichmäßig über den Luftfilter verteilt.
5. Drücken Sie auf den Luftfilter in dem Beutel, um überflüssiges Luftfilteröl zu entfernen. Nehmen Sie den Luftfilter aus dem Beutel.
6. Montieren Sie den Luftfilter.

So fetten Sie das Winkelgetriebe nach

Stellen Sie sicher, dass das Winkelgetriebe zu 3/4 mit Schmiermittel gefüllt ist.

(Abb. 57)

So überprüfen Sie die Kontermutter



ACHTUNG: Ersetzen Sie die Kontermutter nach jeder 10. Verwendung.

1. Drehen Sie die Kontermutter fest gegen den Uhrzeigersinn, um sie festzuziehen. Drehen Sie die Kontermutter im Uhrzeigersinn, um sie zu entfernen. (Abb. 58)
2. Stellen Sie sicher, dass Sie die Nylonsicherung der Kontermutter nicht von Hand drehen können. Die Nylonsicherung muss einen Mindestwiderstand von 1,5 Nm aufweisen.
3. Ziehen Sie die Kontermutter mit 35-50 Nm fest, wenn der Widerstand unter dem Mindestwert liegt.



ACHTUNG: Wenn Sie die Kontermutter zu fest anziehen, kann es zu Beschädigungen am Gewinde kommen.

So schärfen Sie Grasmesser und Grasklinge



WARNUNG: Stoppen Sie den Motor. Tragen Sie stets Schutzhandschuhe.

- Um das Grasmesser oder die Grasklinge ordnungsgemäß zu schärfen, lesen Sie die Anweisungen, die mit der Schneidausrüstung ausgeliefert werden.
- Schärfen Sie alle Kanten gleichmäßig, um das Gleichgewicht zu halten.
- Verwenden Sie eine einfache Flachfeile. (Abb. 59)



WARNUNG: Entsorgen Sie immer eine beschädigte Klinge. Versuchen Sie nicht, eine verbogene oder verdrehte Klinge wieder gerade zu biegen und sie anschließend erneut zu benutzen.

Fehlersuche

Der Motor springt nicht an

Prüfung	Mögliche Ursache	Empfohlene Vorgehensweise
Stoppschalter	Der Stoppschalter ist in Stopposition.	Den Stoppschalter in Startposition stellen.
Starterklinken	Die Starterklinken sind nicht frei beweglich.	Entfernen Sie das Gehäuse der Startvorrichtung und reinigen Sie den Bereich um die Starterklinken. Wenden Sie sich an eine zugelassene Servicewerkstatt.
	Kraftstofftank.	Falsche Kraftstoffsorte. Wechseln Sie den Kraftstoff aus.
Zündkerze.	Die Zündkerze ist verschmutzt oder nass.	Stellen Sie sicher, dass die Zündkerze sauber und trocken ist.
	Zündkerze mit falschem Elektrodenabstand.	Reinigen Sie die Zündkerze. Stellen Sie sicher, dass der Elektrodenabstand korrekt ist. Stellen Sie sicher, dass die Zündkerze eine sog. Funkenstörung hat. Siehe technische Daten für den korrekten Elektrodenabstand.
	Die Zündkerze sitzt lose.	Zündkerze festziehen.

Der Motor startet, geht aber wieder aus.

Prüfung	Mögliche Ursache	Empfohlene Vorgehensweise
Kraftstofftank	Falsche Kraftstoffsorte.	Wechseln Sie den Kraftstoff aus.
Luftfilter	Der Luftfilter ist verstopft.	Reinigen Sie den Luftfilter.

Transport, Lagerung und Entsorgung

Transport und Lagerung

- Lassen Sie das Produkt vor dem Transport oder der Lagerung abkühlen.
- Entfernen Sie die Zündkappe von der Zündkerze, bevor Sie sie für längere Zeit einlagern.
- Befestigen Sie das Produkt während des Transports. Sorgen Sie dafür, dass sich das Gerät während des Transports nicht bewegen kann.

- Stellen Sie sicher, dass während des Transports und der Lagerung kein Risiko für das Austreten von Kraftstoff und Kraftstoffdämpfen und das Entstehen von Funken oder Flammen besteht.
- Bringen Sie den Transportschutz während des Transports und der Lagerung an.
- Reinigen und warten Sie das Gerät, bevor Sie es für längere Zeit einlagern.

Technische Daten

Technische Angaben

	325R
	A05328CBHV
Motor	
Hubraum, cm ³	27,6
Leerlaufdrehzahl, U/min	2800 - 3200
Empfohlene max. Drehzahl U/min	8000
Leistung/Motorhöchstleistung gemäß ISO 8893, kW/PS bei U/min	0,9/1,2 bei 8000
Katalysatorschalldämpfer	Ja
Drehzahl der Abtriebswelle, U/min	7200
Zündanlage	
Zündkerze	Husqvarna HQT-4
Elektrodenabstand, mm	0,5
Kraftstoffsystem	
Volumen des Kraftstofftanks, l/cm ³	0,343/343
Produktmaße	
Gewicht, kg	5,5
Geräuschemissionen¹⁶	
Schalleistungspegel, gemessen mit Grasklinge, dB(A)	108
Schalleistungspegel, gemessen mit Trimmerkopf, dB (A)	110
Schalleistungspegel, garantiert (L _{WA}), ausgestattet mit Grasklinge, dB(A)	112
Schalleistungspegel, garantiert (L _{WA}), ausgestattet mit Trimmerkopf, dB(A)	114
Lautstärke¹⁷	
Schalldruckpegel am Ohr des Bedieners, ausgestattet mit Grasklinge, dB(A)	96
Schalldruckpegel am Ohr des Bedieners, ausgestattet mit Trimmerkopf, dB (A)	95
Vibrationswerte¹⁸	

¹⁶ Umweltbelastende Geräuschemissionen, gemessen als Schalleistung (L_{WA}) gemäß EG-Richtlinie 2000/14/EG. Der aufgezeichnete Lautstärkepegel für das Gerät wurde unter Verwendung der originalen Schneidausrüstung mit dem höchsten Pegel gemessen. Die Differenz zwischen garantiertem und gemessenem Schalleistungspegel besteht darin, dass beim garantierten Schalleistungspegel auch eine Streuung im Messergebnis und Variationen zwischen verschiedenen Geräten desselben Modells gemäß der Richtlinie 2000/14/EG berücksichtigt werden.

¹⁷ Berichten zufolge liegt der Schalldruckpegel für dieses Gerät normalerweise bei einer Ausbreitungsklasse (Standardabweichung) von 1 dB (A).

¹⁸ Berichten zufolge liegt der äquivalente Vibrationspegel normalerweise bei einer Ausbreitungsklasse (Standardabweichung) von 1 m/s².

	325R A05328CBHV
Äquivalenter Vibrationspegel (ahv, eq), ausgestattet mit Grasklinge, linker Griff, m/s ²	5,1
Äquivalenter Vibrationspegel (ahv, eq), ausgestattet mit Grasklinge, rechter Griff, m/s ²	5,7
Äquivalenter Vibrationspegel (ahv, eq), ausgestattet mit Trimmerkopf, linker Griff, ²	4,1
Äquivalenter Vibrationspegel (ahv, eq), ausgestattet mit Trimmerkopf, rechter Griff, m/s ²	4,9

Zubehör

Zubehör

Zugelassenes Zubehör	Typ	Schutz für die Schneidausrüstung
Gewindwelle	M10L	
Trimmerkopf	T35, 2,4 mm	588 11 79-01
Grasklinge	Gras 255-4, Ø 250	588 11 79-01

EG-Konformitätserklärung

Inhalt der EG-Konformitätserklärung

Wir, Husqvarna AB, SE 561 82 Huskvarna, SCHWEDEN, erklären in alleiniger Verantwortung, dass das Gerät Folgendem genügt:

Beschreibung	Benzinbetriebener Rasentrimmer/Motorsense
Marke	Husqvarna
Plattform/Typ/Modell	Plattform A05328CBHV, Modell 325R
Charge	Seriennummer ab Baujahr 2018

Es erfüllt die folgenden EU-Vorschriften und -Richtlinien:

Richtlinie/Verordnung	Beschreibung
2006/42/EG	„Über Maschinen“
2014/30/EG	EMV-Richtlinie
2000/14/EG	„über umweltbelastende Geräuschemissionen“
2011/65/EG	„Beschränkung der Verwendung bestimmter gefährlicher Stoffe“

Harmonisierte Normen und/oder technische Spezifikationen gelten wie folgt: EN ISO 12100, EN ISO 11806-1, CISPR 12, ISO 14982, EN 50581:2012

Die im Abschnitt „Technische Daten“ in dieser Bedienungsanleitung und in der signierten EU-Konformitätserklärung angegebenen Schallwerte entsprechen der EU-Richtlinie 2000/14/EG, Anhang V.

Der TÜV Rheinland N.A. führte im Auftrag von Husqvarna AB eine freiwillige Typenprüfung durch, und stellte eine Konformitätsbescheinigung nach EG-Richtlinie 2006/42/EG für Maschinen aus.

Das Zertifikat, wie auf der unterzeichneten EU-Konformitätserklärung angegeben, gilt für alle Fertigungsstandorte und Ursprungsländer, wie auf dem Gerät angegeben.

Der gelieferte benzinbetriebene Trimmer/die Motorsense entspricht dem Exemplar, das der EU-Typenprüfung unterzogen wurde.

Περιεχόμενα

Εισαγωγή.....	97	Αντιμετώπιση προβλημάτων.....	109
Ασφάλεια.....	98	Μεταφορά, αποθήκευση και απόρριψη.....	110
Συναρμολόγηση.....	103	Τεχνικά στοιχεία.....	110
Λειτουργία.....	104	Αξεσουάρ.....	111
Συντήρηση.....	107	Δήλωση Συμμόρφωσης ΕΚ.....	112

Εισαγωγή

Εγχειρίδιο χρήσης

Η αρχική γλώσσα του παρόντος εγχειριδίου χρήσης είναι τα Αγγλικά. Τα εγχειρίδια χρήσης σε άλλες γλώσσες είναι μεταφράσεις από τα Αγγλικά.

Προβλεπόμενη χρήση

Χρησιμοποιείτε το προϊόν με λεπίδα χόρτου ή κεφαλή χορτοκοπτικού για την κοπή διαφορετικών τύπων βλάστησης.

Επισκόπηση προϊόντος

(Εικ. 1)

1. Κεφαλή χορτοκοπτικού
2. Τάπα πλήρωσης γράσου
3. Κωνικό γρανάζι
4. Προστατευτικό εξαρτήματος κοπής
5. Αξονας
6. Διακόπτης διακοπής λειτουργίας
7. Σκανδάλη γκαζιού
8. Ασφάλεια σκανδάλης γκαζιού
9. Τιμόνι
10. Σφιγκτήρας εξάρτυσης
11. Περιβλήμα συστήματος εκκίνησης
12. Καπάκι μπουζί, μπουζί
13. Λαβή εκκίνησης
14. Ντεπόζιτο καυσίμου
15. Κάλυμμα φίλτρου αέρα
16. Φούσκα πλήρωσης χειροκίνητης αντλίας καυσίμου (πουάρ)
17. Χειριστήριο τσοκ
18. Ρύθμιση λαβής
19. Καλώδιο γκαζιού
20. Κουμπί γρήγορου ρελαντί
21. Εξάρτυση
22. Γερμανοπολύγωνο κλειδί
23. Εγχειρίδιο χρήσης
24. Προστατευτικό μεταφοράς
25. Λεπίδα
26. Δοχείο στήριξης
27. Φλάντζα στήριξης

Περιεχόμενα Μπορεί να ισχύουν εθνικοί κανονισμοί που θέτουν όρια στη χρήση του προϊόντος.

28. Ασφαλιστικό παξιμάδι
29. Δίσκος μετάδοσης
30. Ασφαλιστικός πείρος
31. Εξάγωνο κλειδί

Σύμβολα στο προϊόν

(Εικ. 2) **ΠΡΟΕΙΔΟΠΟΙΗΣΗ!** Αυτό το προϊόν είναι επικίνδυνο. Μπορεί να προκληθεί τραυματισμός ή θάνατος του χειριστή ή των παρευρισκόμενων αν το προϊόν δεν χρησιμοποιείται προσεκτικά και σωστά. Για να αποτραπεί ο τραυματισμός του χειριστή ή των παρευρισκόμενων, διαβάστε και τηρείτε όλες τις οδηγίες ασφαλείας που αναφέρονται στο εγχειρίδιο χρήσης.

(Εικ. 3) Προτού χρησιμοποιήσετε το προϊόν, διαβάστε το εγχειρίδιο χρήσης προσεκτικά και βεβαιωθείτε ότι έχετε κατανοήσει τις οδηγίες.

(Εικ. 4) Χρησιμοποιείτε ένα κράνος προστασίας σε σημεία όπου μπορεί να πέσουν αντικείμενα επάνω σας. Χρησιμοποιείτε εγκεκριμένα προστατευτικά ακοής. Χρησιμοποιείτε εγκεκριμένη προστασία των ματιών.

(Εικ. 5) Χρησιμοποιείτε εγκεκριμένα προστατευτικά γάντια.

(Εικ. 6) Χρησιμοποιήστε αντιολισθητικές μπότες βαρέος τύπου.

- (Εικ. 7) Τα βέλη δείχνουν τα όρια για τη θέση της λαβής.
- (Εικ. 8) Το προϊόν μπορεί να προκαλέσει την εκτίναξη αντικειμένων, το οποίο μπορεί να προκαλέσει τραυματισμό.
- (Εικ. 9) Μέγιστη ταχύτητα του άξονα εξαγωγής.
- (Εικ. 10) Για όση ώρα λειτουργεί το προϊόν, να διατηρείτε ελάχιστη απόσταση 15 μέτρων από ανθρώπους και ζώα.
- (Εικ. 11) Αν ο εξοπλισμός κοπής ακουμπήσει ένα αντικείμενο και δεν μπορέσει να το κόψει αμέσως, υπάρχει κίνδυνος ώσης της λεπίδας. Το προϊόν μπορεί να κόψει μέρη του σώματος. Για όση ώρα λειτουργεί το προϊόν, να διατηρείτε ελάχιστη απόσταση 15 μέτρων από ανθρώπους και ζώα.
- (Εικ. 12) Φούσκα πλήρωσης χειροκίνητης αντλίας καυσίμου (πουάρι).
- (Εικ. 13) Τσοκ.
- (Εικ. 14) Κρατάτε όλα τα μέρη του σώματος σας μακριά από τις θερμές επιφάνειες.
- (Εικ. 15) Οι εκπομπές θορύβου στο περιβάλλον αναφέρονται στην Οδηγία της Ευρωπαϊκής Κοινότητας. Οι εκπομπές καυσαερίων του προϊόντος αναγράφονται στο κεφάλαιο "Τεχνικά στοιχεία" και στην πινακίδα του προϊόντος.
- (Εικ. 16) Το προϊόν συμμορφώνεται με τις ισχύουσες οδηγίες ΕΚ.
- (Εικ. 17) Το προϊόν συμμορφώνεται με τις ισχύουσες οδηγίες ΕΑC.

Η πινακίδα στοιχείων δείχνει τον αριθμό σειράς. Το **yyyy** είναι το έτος παραγωγής, το **ww** είναι η εβδομάδα παραγωγής και το **xxxxx** είναι ο αριθμός σειράς.

yyyywwxxxxx

Περιεχόμενα Άλλα σύμβολα/σήματα που υπάρχουν στο προϊόν αναφέρονται σε απαιτήσεις πιστοποίησης για άλλες εμπορικές περιοχές.

Ευθύνη προϊόντος

Όπως αναφέρεται στη νομοθεσία περί ευθύνης για τα προϊόντα, δεν φέρουμε καμία ευθύνη για ζημιές που οφείλονται στο προϊόν μας εάν:

- Το προϊόν έχει επισκευαστεί λανθασμένα.
- Το προϊόν έχει επισκευαστεί με εξαρτήματα που δεν προέρχονται από τον κατασκευαστή ή που δεν έχουν εγκριθεί από τον κατασκευαστή.
- Το προϊόν διαθέτει ένα αξεσουάρ που δεν προέρχεται από τον κατασκευαστή ή που δεν έχει εγκριθεί από τον κατασκευαστή.
- Το προϊόν δεν έχει επισκευαστεί σε εγκεκριμένο κέντρο σέρβις ή από εγκεκριμένη αρχή.

ΕU V



ΠΡΟΕΙΔΟΠΟΙΗΣΗ: Οποιαδήποτε μη εξουσιοδοτημένη παρέμβαση στον κινητήρα ακυρώνει την έγκριση τύπου ΕΕ αυτού του προϊόντος.

Ασφάλεια

Ορισμοί για την ασφάλεια

Για την επισήμανση ειδικών σημαντικών τμημάτων του εγχειριδίου χρησιμοποιούνται προειδοποιήσεις, συστάσεις προσοχής και σημειώσεις.



ΠΡΟΕΙΔΟΠΟΙΗΣΗ: Χρησιμοποιείται όταν υπάρχει κίνδυνος τραυματισμού ή θανάτου του χειριστή ή άλλων παριστάμενων ατόμων,

αν δεν τηρηθούν οι οδηγίες που παρέχονται στο εγχειρίδιο.



ΠΡΟΣΟΧΗ: Χρησιμοποιείται όταν υπάρχει κίνδυνος πρόκλησης ζημιάς στο προϊόν, σε άλλα υλικά ή στον παρακείμενο χώρο, αν δεν τηρηθούν οι οδηγίες που παρέχονται στο εγχειρίδιο.

Περιεχόμενα Χρησιμοποιείται για παροχή περισσότερων πληροφοριών, οι οποίες χρειάζονται σε μια δεδομένη κατάσταση.

Ασφάλεια δονήσεων

Αυτό το προϊόν προορίζεται μόνο για περιστασιακή χρήση. Η συνεχής ή τακτική χρήση του προϊόντος μπορεί να προκαλέσει σύνδρομο "Ρεϊνό" ή αντίστοιχα προβλήματα υγείας λόγω των δονήσεων. Αν χρησιμοποιείτε το προϊόν συνεχώς ή τακτικά, να εξετάζετε συχνά την κατάσταση των χεριών και των δαχτύλων σας. Αν τα χέρια ή τα δάχτυλά σας έχουν αποχρωματιστεί ή αν παρατηρήσετε πόνο, τσιμπήματα ή μούδιασμα, σταματήστε τις εργασίες και απευθυνθείτε αμέσως σε έναν γιατρό.

Γενικές οδηγίες ασφαλείας



ΠΡΟΕΙΔΟΠΟΙΗΣΗ: Προτού χρησιμοποιήσετε το προϊόν, διαβάστε τις παρακάτω προειδοποιητικές οδηγίες.

- Χρησιμοποιήστε σωστά το προϊόν. Λόγω της εσφαλμένης χρήσης μπορεί να προκληθεί τραυματισμός ή θάνατος. Χρησιμοποιήστε το προϊόν μόνο για τις εργασίες που αναφέρονται στο παρόν εγχειρίδιο. Μην χρησιμοποιείτε το προϊόν για άλλες εργασίες.
- Τηρείτε τις οδηγίες του παρόντος εγχειριδίου. Τηρείτε τα σύμβολα ασφαλείας και τις οδηγίες ασφαλείας. Εάν ο χειριστής δεν τηρεί τις οδηγίες και τα σύμβολα, μπορεί να προκληθεί τραυματισμός, ζημιά ή θάνατος.
- Μην απορρίψετε αυτό το εγχειρίδιο. Χρησιμοποιήστε τις οδηγίες για τη συναρμολόγηση, τη χρήση και τη διατήρηση του προϊόντος σε καλή κατάσταση. Χρησιμοποιήστε τις οδηγίες για τη σωστή εγκατάσταση των εξαρτημάτων και των παρελκόμενων. Να χρησιμοποιείτε μόνο εγκεκριμένα εξαρτήματα και παρελκόμενα.
- Να μην χρησιμοποιείτε προϊόντα που παρουσιάζουν ζημιά. Να τηρείτε το πρόγραμμα συντήρησης. Να εκτελείτε μόνο τις εργασίες συντήρησης που αναφέρονται σε οδηγίες του παρόντος εγχειριδίου. Όλες οι υπόλοιπες εργασίες συντήρησης πρέπει να εκτελούνται από ένα εγκεκριμένο κέντρο σέρβις.
- Το παρόν εγχειρίδιο δεν περιλαμβάνει όλες τις καταστάσεις που μπορεί να προκύψουν κατά τη χρήση του προϊόντος. Να είστε προσεκτικοί και να χρησιμοποιείτε την κοινή λογική. Μην χρησιμοποιείτε το προϊόν και μην εκτελείτε συντήρηση σε αυτό, εάν δεν είστε σίγουροι για την κατάσταση. Απευθυνθείτε σε έναν ειδικό για το προϊόν, τον αντιπρόσωπό σας, τον αντιπρόσωπο σέρβις ή ένα εγκεκριμένο κέντρο σέρβις για πληροφορίες.
- Αποσυνδέστε το καλώδιο του μπουζί πριν από τη συναρμολόγηση του προϊόντος, την τοποθέτησή του στην περιοχή αποθήκευσης ή την εκτέλεση εργασιών συντήρησης.
- Μην χρησιμοποιείτε το προϊόν εάν τροποποιηθεί από τις αρχικές του προδιαγραφές. Μην αλλάξετε ένα εξάρτημα του προϊόντος χωρίς έγκριση από τον κατασκευαστή. Πρέπει να χρησιμοποιείτε μόνο εξαρτήματα εγκεκριμένα από τον κατασκευαστή. Λόγω της εσφαλμένης συντήρησης μπορεί να προκληθεί τραυματισμός ή θάνατος.
- Μην αναπνέετε τα καυσαέρια από τον κινητήρα. Η μακροχρόνια εισπνοή των αναθυμιάσεων της εξάτμισης του κινητήρα είναι επικίνδυνη για την υγεία.
- Μην θέτετε το προϊόν σε λειτουργία σε εσωτερικό χώρο ή κοντά σε εύφλεκτα υλικά. Οι αναθυμιάσεις της εξάτμισης είναι καυτές και μπορεί να περιέχουν σπινθήρες που μπορεί να προκαλέσουν πυρκαγιά. Η ανεπαρκής ροή αέρα μπορεί να προκαλέσει τραυματισμό ή θάνατο λόγω ασφυξίας ή μονοξειδίου του άνθρακα.
- Όταν χρησιμοποιείτε αυτό το προϊόν, ο κινητήρας δημιουργεί ηλεκτρομαγνητικό πεδίο. Το ηλεκτρομαγνητικό πεδίο μπορεί να προκαλέσει ζημιά στα ιατρικά εμφυτεύματα. Προτού χρησιμοποιήσετε το προϊόν, συμβουλευθείτε το γιατρό σας ή τον κατασκευαστή του ιατρικού εμφυτεύματος.
- Μην επιτρέψετε σε παιδιά να χρησιμοποιήσουν το προϊόν. Μην αφήνετε να χρησιμοποιήσουν το προϊόν άτομα που δεν γνωρίζουν τις οδηγίες.
- Φροντίστε να παρακολουθείτε πάντα τα άτομα με μειωμένες σωματικές ή διανοητικές ικανότητες που χρησιμοποιούν το προϊόν. Πρέπει να είναι παρών ένας υπεύθυνος ενήλικας ανά πάσα στιγμή.
- Ασφαλίστε το προϊόν σε σημείο στο οποίο δεν έχουν πρόσβαση παιδιά και μη εγκεκριμένα άτομα.
- Το προϊόν μπορεί να εκτινάξει αντικείμενα και να προκληθούν τραυματισμοί. Τηρείτε τις οδηγίες ασφαλείας για να μειώσετε τον κίνδυνο τραυματισμού ή θανάτου.
- Μην απομακρύνετε από το προϊόν όταν ο κινητήρας είναι σε λειτουργία.
- Ο χειριστής του προϊόντος είναι υπεύθυνος σε περίπτωση ατυχήματος.
- Βεβαιωθείτε ότι τα εξαρτήματα δεν έχουν υποστεί ζημιά πριν χρησιμοποιήσετε το προϊόν.
- Προτού χρησιμοποιήσετε το προϊόν, βεβαιωθείτε ότι βρίσκετε σε απόσταση τουλάχιστον 15 m (50 ft) από άλλα άτομα ή ζώα. Βεβαιωθείτε ότι τα άτομα που βρίσκονται κοντά γνωρίζουν ότι θα χρησιμοποιήσετε το προϊόν.
- Ανατρέξτε στην εθνική ή τοπική νομοθεσία. Μπορεί να εμπόδιση ή να μειώσει τη λειτουργία του προϊόντος σε ορισμένες περιπτώσεις.

- Μην χρησιμοποιείτε το προϊόν αν είστε κουρασμένοι ή υπό την επήρεια αλκοόλ, ναρκωτικών ή φαρμάκων. Μπορεί να επηρεαστεί αρνητικά η όραση, η εγρήγορση, ο συντονισμός ή η κρίση σας.

Οδηγίες ασφαλείας για τη συναρμολόγηση



ΠΡΟΕΙΔΟΠΟΙΗΣΗ: Προτού χρησιμοποιήσετε το προϊόν, διαβάστε τις παρακάτω προειδοποιητικές οδηγίες.

- Αφαιρέστε το καπάκι από το μπουζί πριν από τη συναρμολόγηση του προϊόντος.
- Χρησιμοποιείτε εγκεκριμένα προστατευτικά γάντια.
- Βεβαιωθείτε ότι έχετε συναρμολογήσει σωστά το κάλυμμα και τον άξονα προτού βάλετε μπροστά τον κινητήρα.
- Ο δίσκος μετάδοσης και η φλάντζα στήριξης πρέπει να συμπλέκονται σωστά στην κεντρική οπή του παρελκόμενου κοπής. Εάν το παρελκόμενο κοπής τοποθετηθεί λάθος, μπορεί να προκληθεί σοβαρός τραυματισμός ή θάνατος στο χειριστή ή σε άλλα άτομα.
- Για να χρησιμοποιήσετε το προϊόν με ασφάλεια και για να αποτρέψετε τυχόν τραυματισμό του χειριστή ή άλλων ατόμων, το προϊόν πρέπει να είναι πάντα σωστά προσαρτημένο στην εξάρτυση.

Οδηγίες ασφαλείας για τη λειτουργία



ΠΡΟΕΙΔΟΠΟΙΗΣΗ: Προτού χρησιμοποιήσετε το προϊόν, διαβάστε τις παρακάτω προειδοποιητικές οδηγίες.

- Βεβαιωθείτε ότι το προϊόν είναι πλήρως συναρμολογημένο πριν από τη χρήση του.
- Πριν από την εκκίνηση, μετακινήστε το προϊόν σε απόσταση 3 m από το σημείο όπου γεμίσατε το νεπεόζιτο καυσίμου. Τοποθετήστε το προϊόν σε επίπεδη επιφάνεια. Βεβαιωθείτε ότι το παρελκόμενο κοπής δεν έρχεται σε επαφή με το έδαφος ή με άλλα αντικείμενα.
- Το προϊόν μπορεί να προκαλέσει την εκτίναξη αντικειμένων, τα οποία μπορούν να προκαλέσουν ζημιά στα μάτια. Χρησιμοποιήστε πάντα εγκεκριμένη προστασία των ματιών κατά τη χρήση του προϊόντος.
- Να είστε προσεκτικοί! Ένα παιδί μπορεί να πλησιάσει στο προϊόν εν αγνοία σας κατά τη διάρκεια της λειτουργίας.
- Μην χρησιμοποιείτε το προϊόν εάν υπάρχουν άτομα στο χώρο εργασίας. Σταματήστε τη λειτουργία του προϊόντος εάν ένα άτομο μπει στο χώρο εργασίας.
- Βεβαιωθείτε ότι έχετε πάντα τον έλεγχο του προϊόντος.
- Μην χρησιμοποιείτε το προϊόν εάν δεν μπορείτε να λάβετε βοήθεια σε περίπτωση ατυχήματος. Διασφαλίζετε πάντα ότι τα υπόλοιπα άτομα

γνωρίζουν ότι θα χρησιμοποιήσετε το προϊόν πριν ξεκινήσετε να το χρησιμοποιείτε.

- Μην γυρίζετε με το προϊόν πριν να βεβαιωθείτε ότι δεν υπάρχουν άτομα ή ζώα στην περιοχή ασφαλείας.
- Απομακρύνετε όλα τα ανεπιθύμητα υλικά από την περιοχή εργασίας πριν ξεκινήσετε. Εάν το παρελκόμενο κοπής χτυπήσει κάποιο αντικείμενο, το αντικείμενο μπορεί να εκτιναχθεί και να προκληθεί τραυματισμός ή ζημιά. Γύρω από το παρελκόμενο κοπής μπορεί να τυλιχθεί ανεπιθύμητο υλικό και να προκαλέσει ζημιά.
- Μην χρησιμοποιείτε το προϊόν σε κακές καιρικές συνθήκες (ομίχλη, βροχή, ισχυρούς ανέμους, κίνδυνο κεραυνού ή άλλες καιρικές συνθήκες). Μπορεί να προκύψουν επικίνδυνες συνθήκες (όπως ολισθηρές επιφάνειες) λόγω κακοκαιρίας.
- Φροντίστε να είστε σε θέση να μετακινήσετε ελεύθερα και να εργάζεστε σε σταθερή θέση.

(Εικ. 18)

- Βεβαιωθείτε ότι δεν μπορείτε να πέσετε όταν χρησιμοποιείτε το προϊόν. Μην γέρνετε όταν χρησιμοποιείτε το προϊόν.
 - Κρατάτε πάντα το προϊόν και με τα δύο σας χέρια. Να κρατάτε το προϊόν στη δεξιά πλευρά του σώματός σας.
- (Εικ. 19)
- Χρησιμοποιήστε το προϊόν με το παρελκόμενο κοπής κάτω από τη μέση σας.
 - Εάν το χειριστήριο τσοκ βρίσκεται στη θέση του τσοκ κατά την εκκίνηση του κινητήρα, το παρελκόμενο κοπής αρχίζει να περιστρέφεται.
 - Μην αγγίζετε το κωνικό γρανάζι μετά το σβήσιμο του κινητήρα. Το κωνικό γρανάζι είναι καυτό μετά το σβήσιμο του κινητήρα. Οι καυτές περιοχές μπορεί να προκαλέσουν τραυματισμό.
 - Σβήστε τον κινητήρα πριν μετακινήσετε το προϊόν.
 - Μην ακουμπάτε το προϊόν με τον κινητήρα σε λειτουργία.
 - Πριν απομακρύνετε τα ανεπιθύμητα υλικά από το προϊόν, σβήστε τον κινητήρα και περιμένετε μέχρι να σταματήσει το παρελκόμενο κοπής. Αφήστε το παρελκόμενο κοπής να σταματήσει προτού το κομμένο υλικό να απομακρυνθεί από εσάς ή ένα βοηθό.

Προσωπικός εξοπλισμός προστασίας



ΠΡΟΕΙΔΟΠΟΙΗΣΗ: Προτού χρησιμοποιήσετε το προϊόν, διαβάστε τις παρακάτω προειδοποιητικές οδηγίες.

- Χρησιμοποιείτε πάντα σωστό προσωπικό εξοπλισμό προστασίας κατά τη χρήση του προϊόντος. Ο προσωπικός εξοπλισμός προστασίας δεν εξαλείφει τον κίνδυνο τραυματισμού. Ο προσωπικός εξοπλισμός προστασίας μειώνει το βαθμό τραυματισμού σε περίπτωση ατυχήματος.
- Χρησιμοποιήστε πάντα εγκεκριμένη προστασία των ματιών κατά τη χρήση του προϊόντος.

- Μην χρησιμοποιείτε το προϊόν με γυμνά πόδια ή με ανοικτά παπούτσια. Χρησιμοποιήστε πάντοτε αντιολισθητικές μπότες βαρέος τύπου.
- Χρησιμοποιήστε χοντρά, μακριά παντελόνια.
- Εάν είναι απαραίτητο, χρησιμοποιήστε εγκεκριμένα προστατευτικά γάντια.
- Χρησιμοποιήστε κράνος εάν υπάρχει πιθανότητα να πέσουν αντικείμενα στο κεφάλι σας.
- Χρησιμοποιήστε πάντα εγκεκριμένη προστασία αυτιών κατά τη χρήση του προϊόντος. Τυχόν θόρυβος για μεγάλο χρονικό διάστημα μπορεί να προκαλέσει θορυβογενή απώλεια ακοής.
- Βεβαιωθείτε ότι υπάρχει ένα κιτ πρώτων βοηθειών σε μικρή απόσταση.

Συσκευές ασφαλείας στο προϊόν



ΠΡΟΕΙΔΟΠΟΙΗΣΗ: Προτού χρησιμοποιήσετε το προϊόν, διαβάστε τις παρακάτω προειδοποιητικές οδηγίες.

- Μην χρησιμοποιείτε ποτέ το προϊόν, αν υπάρχουν ελαττωματικές συσκευές ασφαλείας.
- Πρέπει να κάνετε τακτικά έλεγχο των συσκευών ασφαλείας. Ανατρέξτε στην ενότητα *Επισκόπηση προϊόντος στη σελίδα 97*.
- Αν οι συσκευές ασφαλείας είναι ελαττωματικές, απευθυνθείτε στον αντιπρόσωπο σέρβις της Husqvarna.

Ασφάλεια σκανδάλης γκαζιού

Η ασφάλεια της σκανδάλης γκαζιού κλειδώνει τη σκανδάλη γκαζιού.

(Εικ. 20)

Πιέστε την ασφάλεια σκανδάλης γκαζιού (A) για να απασφαλίσετε τη σκανδάλη γκαζιού (B). Όταν αφήσετε τη λαβή, η ασφάλεια σκανδάλης γκαζιού και η σκανδάλη γκαζιού επιστρέφουν στις αρχικές τους θέσεις.

1. Βεβαιωθείτε ότι η σκανδάλη γκαζιού (B) είναι ασφαλισμένη στο ρελαντί όταν αφήνετε την ασφάλεια σκανδάλης γκαζιού (A).
2. Πιέστε την ασφάλεια σκανδάλης γκαζιού (A) και βεβαιωθείτε ότι επιστρέφει στην αρχική της θέση όταν την αφήνετε.
3. Πιέστε τη σκανδάλη γκαζιού (B) και βεβαιωθείτε ότι επιστρέφει στην αρχική της θέση όταν την αφήνετε.

Βάλτε μπροστά τον κινητήρα και κατόπιν ανοίξτε τέρμα το γκάζι. Αφήστε τη σκανδάλη γκαζιού και ελέγξτε εάν σταματά το παρελκόμενο κοπής. Εάν το παρελκόμενο κοπής περιστρέφεται με το γκάζι στη θέση ρελαντί, εξετάστε τη βίδα ρύθμισης ρελαντί του καρμπυρατέρ.

Διακόπτης διακοπής λειτουργίας

Βάλτε μπροστά τον κινητήρα. Βεβαιωθείτε ότι ο κινητήρας σβήνει όταν μετακινείτε το διακόπτη λειτουργίας στη θέση διακοπής λειτουργίας.

(Εικ. 21)

Προστατευτικό παρελκόμενου κοπής

Το προστατευτικό παρελκόμενου κοπής εμποδίζει την εκκίνηση σκόρπιων αντικειμένων προς την κατεύθυνση του χειριστή.

(Εικ. 22)

Εξετάστε το προστατευτικό παρελκόμενου κοπής για ζημιά και αντικαταστήστε το, εάν έχει υποστεί ζημιά. Χρησιμοποιήστε μόνο το εγκεκριμένο προστατευτικό για το παρελκόμενο κοπής.

Εξάτμιση (σιγαστήρας)

- Μην χρησιμοποιείτε κινητήρα με καεστραμμένη εξάτμιση (σιγαστήρας). Η καεστραμμένη εξάτμιση (σιγαστήρας) αυξάνει το επίπεδο θορύβου και τον κίνδυνο φωτιάς. Πρέπει να υπάρχει σε μικρή απόσταση πυροσβεστήρας.
- Εξετάζετε τακτικά ότι η εξάτμιση (σιγαστήρας) είναι προσαρτημένη στο προϊόν.
- Μην αγγίζετε τον κινητήρα ή την εξάτμιση (σιγαστήρας) όταν ο κινητήρας είναι σε λειτουργία. Μην αγγίζετε τον κινητήρα ή την εξάτμιση (σιγαστήρας) για ένα διάστημα μετά το σβήσιμο του κινητήρα. Οι καυτές επιφάνειες μπορεί να προκαλέσουν τραυματισμούς.
- Η καυτή εξάτμιση (σιγαστήρας) μπορεί να προκαλέσει πυρκαγιά. Να είστε προσεκτικοί εάν χρησιμοποιείτε το προϊόν κοντά σε εύφλεκτα υγρά ή αέρια.
- Μην αγγίζετε τα εξαρτήματα στην εξάτμιση (σιγαστήρας), εάν η εξάτμιση έχει υποστεί ζημιά. Τα εξαρτήματα μπορεί να περιέχουν μερικές καρκινογόνες χημικές ουσίες.

Ασφαλιστικό παξιμάδι

Το ασφαλιστικό παξιμάδι χρησιμοποιείται για το κλειδώμα ορισμένων τύπων παρελκόμενου κοπής.

(Εικ. 23)

Όταν τοποθετείτε το ασφαλιστικό παξιμάδι, σφίξτε το αντίθετα από την κατεύθυνση περιστροφής του παρελκόμενου κοπής.

Λειτουργία απασφάλισης εξάρτωσης



ΠΡΟΕΙΔΟΠΟΙΗΣΗ: Μην χρησιμοποιείτε την εξάρτωση, αν υπάρχει ελάττωμα στη λειτουργία απασφάλισης. Βεβαιωθείτε ότι η λειτουργία απασφάλισης της εξάρτωσης ανταποκρίνεται σωστά όταν ρυθμίζετε το προϊόν.

Η λειτουργία απασφάλισης της εξάρτωσης εκτελείται στο μπροστινό μέρος του προϊόντος. Οι ιμάντες της εξάρτωσης πρέπει πάντα να παραμένουν στη σωστή θέση.

(Εικ. 24)

Σε περίπτωση έκτακτης ανάγκης, η λειτουργία απασφάλισης της εξάρτωσης σας βοηθά να απελευθερώσετε με ασφάλεια από το προϊόν.

Παρελκόμενο κοπής



ΠΡΟΕΙΔΟΠΟΙΗΣΗ: Προτού χρησιμοποιήσετε το προϊόν, διαβάστε τις παρακάτω προειδοποιητικές οδηγίες.

- Εκτελείτε τις τακτικές εργασίες συντήρησης. Ένα εγκεκριμένο κέντρο σέρβις πρέπει να εξετάζει τακτικά το παρελκόμενο κοπής για την εκτέλεση ρυθμίσεων ή επισκευών.
 - Αυξάνεται η απόδοση του παρελκόμενου κοπής.
 - Αυξάνεται η διάρκεια ζωής του παρελκόμενου κοπής.
 - Μειώνεται ο κίνδυνος ατυχημάτων.
- Χρησιμοποιήστε μόνο εγκεκριμένο προστατευτικό παρελκόμενο κοπής. Για περισσότερες πληροφορίες, βλ. *Αξεσουάρ στη σελίδα 111*.
- Μην χρησιμοποιείτε παρελκόμενα κοπής που παρουσιάζουν ζημιά.

Λεπίδες χόρτου και κοπτικά εργαλεία χόρτου

- Να χρησιμοποιείτε το προϊόν με μια εγκεκριμένη λεπίδα χόρτου. Μην χρησιμοποιείτε τη λεπίδα χόρτου χωρίς να έχετε εγκαταστήσει σωστά όλα τα απαιτούμενα εξαρτήματα. Βεβαιωθείτε ότι η τοποθέτηση έχει γίνει σωστά και ότι χρησιμοποιούνται τα σωστά εξαρτήματα. Η λανθασμένη τοποθέτηση μπορεί να προκαλέσει εκτίναξη της λεπίδας και σοβαρό τραυματισμό του χειριστή ή των παριστάμενων.
- Να φοράτε προστατευτικά γάντια όταν χειρίζεστε ή κάνετε συντήρηση στη λεπίδα.
- Να χρησιμοποιείτε μέσα προστασίας της κεφαλής όταν χρησιμοποιείτε ένα προϊόν με λεπίδα χόρτου.
- Οι λεπίδες χόρτου και τα κοπτικά εργαλεία χόρτου χρησιμοποιούνται για την κοπή χοντρού γρασιδιού.
- Η λεπίδα χόρτου μπορεί να προκαλέσει τραυματισμό, καθώς συνεχίζει να περιστρέφεται μετά από το σβήσιμο του κινητήρα ή όταν απελευθερώνεται το γκάτζι. Βεβαιωθείτε ότι η λεπίδα χόρτου έχει σταματήσει εντελώς να περιστρέφεται προτού εκτελέσετε οποιαδήποτε εργασία συντήρησης.
- Σβήνετε τον κινητήρα προτού κάνετε οποιαδήποτε εργασία στο παρελκόμενο κοπής. Βεβαιωθείτε ότι το παρελκόμενο κοπής έχει σταματήσει εντελώς. Αποσυνδέστε το καλώδιο από το μπουζί.
- Να χρησιμοποιείτε μόνο εγκεκριμένα παρελκόμενα κοπής ή σωστά ακονισμένες λεπίδες.
- Διατηρείτε τα δόντια της λεπίδας σωστά ακονισμένα. (Εικ. 25)
- Μην χρησιμοποιείτε παρελκόμενα κοπής που παρουσιάζουν ζημιά.
- Κατά τη μεταφορά ή την αποθήκευση του προϊόντος, πρέπει να τοποθετείτε το προστατευτικό μεταφοράς στη λεπίδα χόρτου.

Ώση λεπίδας

- Η ώση λεπίδας είναι μια ξαφνική κίνηση του προϊόντος προς τα πλάγια, προς τα εμπρός ή προς τα πίσω. Η ώση λεπίδας προκύπτει όταν η λεπίδα χόρτου ή η πριονωτή λεπίδα χτυπήσει σε ένα αντικείμενο που δεν μπορεί να κοπεί. Σε σημεία όπου ο κίνδυνος να προκύψει ώση λεπίδας.
- Όταν προκύπτει ώση λεπίδας, υπάρχει κίνδυνος να ξεφύγει από τη θέση του το προϊόν ή ο χειριστής. Μια κινούμενη λεπίδα μπορεί να χτυπήσει τα παριστάμενα άτομα και υπάρχει κίνδυνος τραυματισμού.
- Εάν η λεπίδα έχει στραβώσει, έχει ρωγμές, έχει σπασεί ή έχει υποστεί ζημιά, θα πρέπει να απορριπτείται.
- Να χρησιμοποιείτε ακονισμένη λεπίδα. Ο κίνδυνος να προκύψει ώση λεπίδας αυξάνεται όταν η λεπίδα δεν είναι τροχισμένη.

Ασφάλεια καυσίμου



ΠΡΟΕΙΔΟΠΟΙΗΣΗ: Προτού χρησιμοποιήσετε το προϊόν, διαβάστε τις παρακάτω προειδοποιητικές οδηγίες.

- Μην αναμειγνύετε το καύσιμο σε εσωτερικούς χώρους ή κοντά σε πηγή θερμότητας.
- Μην θέτετε το προϊόν σε λειτουργία, εάν υπάρχει καύσιμο ή λάδι κινητήρα στο προϊόν. Αφαιρέστε το ανεπιθύμητο καύσιμο/λάδι και αφήστε το προϊόν να στεγνώσει. Αφαιρέστε το ανεπιθύμητο καύσιμο από το προϊόν.
- Εάν χύσετε καύσιμο στα ρούχα σας, αλλάξτε τα αμέσως.
- Μην χύσετε καύσιμο στο σώμα σας, καθώς μπορεί να προκληθεί τραυματισμός. Εάν χύσετε καύσιμο στο σώμα σας, χρησιμοποιήστε σαπουνόνερο για να αφαιρέσετε το καύσιμο.
- Μην βάλτε μπροστά τον κινητήρα εάν χύσετε λάδι ή καύσιμο στο προϊόν ή στο σώμα σας.
- Μην θέσετε το προϊόν σε λειτουργία, εάν ο κινητήρας έχει διαρροή. Εξετάζετε τακτικά τον κινητήρα για διαρροές.
- Να είστε προσεκτικοί με το καύσιμο. Το καύσιμο είναι εύφλεκτο και οι αναθυμιάσεις είναι εκρηκτικές και μπορούν να προκαλέσουν τραυματισμό ή θάνατο.
- Μην εισπνεύσετε τις αναθυμιάσεις καυσίμου, καθώς μπορεί να προκληθεί τραυματισμός. Βεβαιωθείτε ότι υπάρχει επαρκής ροή αέρα.
- Μην καπνίζετε κοντά στο καύσιμο ή τον κινητήρα.
- Μην τοποθετείτε ζεστά αντικείμενα κοντά στο καύσιμο ή τον κινητήρα.
- Μην προσθέτετε καύσιμο όταν λειτουργεί ο κινητήρας.
- Βεβαιωθείτε ότι ο κινητήρας έχει κρυώσει πριν από τον ανεφοδιασμό.

- Πριν από τον ανεφοδιασμό, ανοίξτε αργά την τάπα του νετεπόζιου καυσίμου και εκτονώστε προσεκτικά την πίεση.
- Μην προσθέτετε καύσιμο στον κινητήρα σε εσωτερικό χώρο. Η ανεπαρκής ροή αέρα μπορεί να προκαλέσει τραυματισμό ή θάνατο λόγω ασφυξίας ή μονοξειδίου του άνθρακα.
- Σφίξτε προσεκτικά την τάπα του νετεπόζιου καυσίμου, διαφορετικά μπορεί να προκληθεί πυρκαγιά.
- Πριν από την εκκίνηση, μετακινήστε το προϊόν σε απόσταση τουλάχιστον 3 m (10 ft) από το σημείο όπου γεμίσατε το νετεπόζιτο.
- Μην προσθέτετε υπερβολική ποσότητα καυσίμου στο νετεπόζιτο καυσίμου.
- Βεβαιωθείτε ότι δεν μπορεί να προκληθεί διαρροή όταν μετακινείτε το προϊόν ή το δοχείο καυσίμου.
- Μην τοποθετείτε το προϊόν ή ένα δοχείο καυσίμου όπου υπάρχουν ακάλυπτες φλόγες, σπινθήρες ή φλόγιστρα. Βεβαιωθείτε ότι στην περιοχή αποθήκευσης δεν υπάρχουν ακάλυπτες φλόγες.
- Χρησιμοποιήστε μόνο εγκεκριμένα δοχεία όταν μετακινείτε το καύσιμο ή προσθέτετε το καύσιμο στην περιοχή αποθήκευσης.
- Αδειάζετε το νετεπόζιτο καυσίμου πριν από μακροχρόνια αποθήκευση. Τηρείτε την τοπική νομοθεσία σχετικά με την περιοχή απόρριψης καυσίμων.
- Καθαρίζετε το προϊόν πριν από μακροχρόνια αποθήκευση.

- Αφαιρέστε το καλώδιο του μπουζί πριν να τοποθετήσετε το προϊόν στην περιοχή αποθήκευσης, για να βεβαιωθείτε ότι ο κινητήρας δεν θα εκκινήσει ακούσια.

Οδηγίες ασφαλείας για τη συντήρηση



ΠΡΟΕΙΔΟΠΟΙΗΣΗ: Προτού εκτελέσετε εργασίες συντήρησης στο προϊόν, διαβάστε τις παρακάτω προειδοποιητικές οδηγίες.

- Πρέπει να εκτελείτε μόνο τη συντήρηση και το σέρβις που περιγράφονται σε αυτό το εγχειρίδιο χρήσης. Όλες οι υπόλοιπες εργασίες σέρβις και επισκευών πρέπει να ανατίθενται σε επαγγελματικό προσωπικό για το σέρβις.
- Φροντίστε να εκτελείτε τακτικά τους ελέγχους ασφαλείας και τη συντήρηση και να ακολουθείτε τις οδηγίες για το σέρβις που παρέχονται στο παρόν εγχειρίδιο. Η τακτική συντήρηση αυξάνει τη διάρκεια ζωής του προϊόντος και μειώνει τον κίνδυνο ατυχημάτων. Για οδηγίες, ανατρέξτε στην ενότητα *Πρόγραμμα συντήρησης στη σελίδα 107*.
- Αν τα αποτελέσματα των ελέγχων ασφαλείας που περιγράφονται σε αυτό το εγχειρίδιο χρήσης δεν είναι τα εγκεκριμένα, απευθυνθείτε στον αντιπρόσωπο σέρβις. Εγγυόμαστε ότι υπάρχει δυνατότητα επαγγελματικής επισκευής και σέρβις για το προϊόν σας.

Συναρμολόγηση

Εισαγωγή



ΠΡΟΕΙΔΟΠΟΙΗΣΗ: Προτού συναρμολογήσετε το προϊόν, πρέπει να διαβάσετε και να κατανοήσετε το κεφάλαιο για την ασφάλεια.



ΠΡΟΕΙΔΟΠΟΙΗΣΗ: Αφαιρέστε το καλώδιο του μπουζί από το μπουζί πριν τη συναρμολόγηση του προϊόντος.

Για τη συναρμολόγηση της χειρολαβής

1. Αφαιρέστε τη βίδα πίσω από τη χειρολαβή γκαζιού. (Εικ. 26)
2. Μετακινήστε τη χειρολαβή γκαζιού στη δεξιά πλευρά της χειρολαβής του προϊόντος.
3. Ευθυγραμμίστε την οπή πίσω από τη χειρολαβή γκαζιού με την οπή στη χειρολαβή του προϊόντος.
4. Περάστε τη βίδα μέσα από τις οπές. Σφίξτε τη βίδα.
5. Τοποθετήστε τη χειρολαβή ανάμεσα στα βέλη επάνω στον άξονα. Σφίξτε τη βίδα. (Εικ. 27)

Τοποθέτηση του σφιγκτήρα της εξάρτυσης

1. Τοποθετήστε το σφιγκτήρα της εξάρτυσης στον άξονα με το βρόχο του σφιγκτήρα της εξάρτυσης προς τα επάνω. Τοποθετήστε το σφιγκτήρα της εξάρτυσης πάνω από τα βέλη επάνω στον άξονα.
2. Τοποθετήστε την ντίζα του γκαζιού στην εγκοπή του σφιγκτήρα της εξάρτυσης στο κάτω μέρος.
3. Ευθυγραμμίστε τις οπές βίδας του σφιγκτήρα της εξάρτυσης.
4. Τοποθετήστε 2 βίδες στις αντίστοιχες οπές.
5. Σφίξτε τις βίδες.

Για να συναρμολογήσετε το παρελκόμενο κοπής

Συναρμολόγηση του προστατευτικού του παρελκόμενου κοπής

1. Τοποθετήστε το προστατευτικό του παρελκόμενου κοπής (A) επάνω στον άξονα. (Εικ. 28)
2. Τοποθετήστε το μπρακέτο (B) στην εγκοπή επάνω στο προστατευτικό του παρελκόμενου κοπής.

3. Περάστε τη βίδα (C) μέσα από την οπή στο μπρακέτο του προστατευτικού του παρελκόμενου κοπής.

Συναρμολόγηση της λεπίδας χόρτου

1. Βεβαιωθείτε ότι το προστατευτικό του παρελκόμενου κοπής (A) είναι τοποθετημένο στο προϊόν. Ανατρέξτε στην ενότητα *Συναρμολόγηση του προστατευτικού του παρελκόμενου κοπής στη σελίδα 103*. (Εικ. 29)
2. Τοποθετήστε τον πείρο ασφάλισης (B) στην οπή για να ασφαλίσετε τον άξονα.
3. Τοποθετήστε τη λεπίδα (E), το δοχείο στήριξης (F) και τη φλάντζα στήριξης (G) στον άξονα εξαγωγής.
4. Βεβαιωθείτε ότι ο δίσκος μετάδοσης (C) ασφαλίζει σωστά στην κεντρική οπή της λεπίδας. (Εικ. 30)
5. Τοποθετήστε το ασφαλιστικό παξιμάδι (H) στον άξονα εξαγωγής. Κρατήστε τον άξονα του γερμανοπολύγωνου κλειδιού κοντά στο προστατευτικό του παρελκόμενου κοπής. Γυρίστε το γερμανοπολύγωνο κλειδί προς τα αριστερά για να σφίξετε το ασφαλιστικό παξιμάδι. Σφίξτε το

ασφαλιστικό παξιμάδι με ροπή 35-50 Nm / 26-36 ft/lb.

6. Αφαιρέστε τον πείρο ασφάλισης.

Τοποθέτηση της κεφαλής χορτοκοπτικού

1. Βεβαιωθείτε ότι το προστατευτικό του παρελκόμενου κοπής (A) είναι τοποθετημένο στο προϊόν. Ανατρέξτε στην ενότητα *Συναρμολόγηση του προστατευτικού του παρελκόμενου κοπής στη σελίδα 103*. (Εικ. 31)
2. Βεβαιωθείτε ότι ο δίσκος μετάδοσης (C) είναι τοποθετημένος στον άξονα εξαγωγής (D).
3. Τοποθετήστε τον πείρο ασφάλισης (B) στην οπή για να ασφαλίσετε τον άξονα.
4. Τοποθετήστε την κεφαλή του χορτοκοπτικού (E) στον άξονα εξαγωγής.
5. Περιστρέψτε την κεφαλή του χορτοκοπτικού προς τα αριστερά για να τη σφίξετε στον άξονα εξαγωγής. (Εικ. 32)
6. Αφαιρέστε τον πείρο ασφάλισης.

Λειτουργία

Εισαγωγή



ΠΡΟΕΙΔΟΠΟΙΗΣΗ: Προτού χρησιμοποιήσετε το προϊόν, πρέπει να διαβάσετε και να κατανοήσετε το κεφάλαιο για την ασφάλεια.

Καύσιμο

Αυτό το προϊόν διαθέτει δίχρονο κινητήρα.



ΠΡΟΣΟΧΗ: Τα καύσιμα εσφαλμένου τύπου μπορεί να προκαλέσουν ζημιά στον κινητήρα. Χρησιμοποιήστε μείγμα βενζίνης και λαδιού για δίχρονους κινητήρες.

Προαναμεμιγμένο καύσιμο

- Για βέλτιστη απόδοση και παράταση της διάρκειας ζωής του κινητήρα, χρησιμοποιήστε προαναμεμιγμένο αλκυλιωμένο καύσιμο καλής ποιότητας της Husqvarna. Αυτό το καύσιμο περιέχει λιγότερα επιβλαβή χημικά σε σύγκριση με τα κανονικά καύσιμα, με αποτέλεσμα να μειώνονται οι επιβλαβείς αναθυμιάσεις της εξάτμισης. Η ποσότητα των καταλοίπων της καύσης είναι χαμηλότερη με αυτό το καύσιμο, το οποίο προστατεύει τα εξαρτήματα του κινητήρα και τα διατηρεί πιο καθαρά.

Ανάμειξη του καυσίμου

Βενζίνη



ΠΡΟΣΟΧΗ: Μην χρησιμοποιείτε βενζίνη με αριθμό οκτανίων κάτω από 90 RON (87 AKI). Μπορεί να προκληθεί ζημιά στο προϊόν.



ΠΡΟΣΟΧΗ: Μην χρησιμοποιείτε βενζίνη με συγκέντρωση αιθανόλης πάνω από 10% (E10). Μπορεί να προκληθεί ζημιά στο προϊόν.

- Χρησιμοποιήστε πάντα καινούργια αμόλυβδη βενζίνη με ελάχιστο αριθμό οκτανίων 90 RON (87 AKI) και με συγκέντρωση αιθανόλης κάτω από 10% (E10).
- Χρησιμοποιήστε βενζίνη με υψηλότερο αριθμό οκτανίων εάν χρησιμοποιείτε συχνά το προϊόν συνεχώς σε υψηλές στροφές ανά λεπτό (σ.α.λ) του κινητήρα.

Λάδι για δίχρονους κινητήρες

- Για καλύτερα αποτελέσματα και υψηλότερη απόδοση, χρησιμοποιήστε λάδι Husqvarna για δίχρονους κινητήρες.
- Εάν το λάδι για δίχρονους κινητήρες της Husqvarna δεν είναι διαθέσιμο, χρησιμοποιήστε διαφορετικό λάδι καλής ποιότητας για αερόψυκτους κινητήρες. Για την επιλογή του σωστού λαδιού, απευθυνθείτε στον αντιπρόσωπο σέρβις.



ΠΡΟΣΟΧΗ: Μην χρησιμοποιείτε λάδι για δίχρονους υδρόψυκτους εξωλέμβιους κινητήρες, το οποίο αναφέρεται επίσης ως λάδι για εξωλέμβιες. Μην χρησιμοποιείτε λάδι για τετράχρονους κινητήρες.

Για να αναμίξετε βενζίνη και λάδι για δίχρονους κινητήρες

Βενζίνη, λίτρα	Λάδι για δίχρονους κινητήρες, λίτρα
	2% (50:1)
5	0,10
10	0,20
15	0,30
20	0,40



ΠΡΟΣΟΧΗ: Μικρά λάθη μπορεί να επηρεάσουν δραστικά την αναλογία του μείγματος κατά τη ανάμιξη μικρών ποσοτήτων καυσίμου. Μετρήστε προσεκτικά την ποσότητα του λαδιού και βεβαιωθείτε ότι το μείγμα που προκύπτει είναι σωστό.

(Εικ. 33)

1. Ρίξτε σε ένα καθαρό δοχείο για καύσιμα τη μισή ποσότητα της βενζίνης.
2. Προσθέστε ολόκληρη την ποσότητα λαδιού.
3. Ανακινήστε το μίγμα καυσίμου.
4. Προσθέστε στο δοχείο την υπόλοιπη ποσότητα της βενζίνης.
5. Ανακινήστε προσεκτικά το μείγμα καυσίμου.



ΠΡΟΣΟΧΗ: Μην αναμιγνύετε καύσιμα για περισσότερο από 1 μήνα κάθε φορά.

Για να προσθέσετε καύσιμο

- Χρησιμοποιήστε πάντοτε δοχείο καυσίμου με βαλβίδα προστασίας από διαρροές.
- Εάν υπάρχει καύσιμο στο δοχείο, αφαιρέστε το ανεπιθύμητο καύσιμο και αφήστε το δοχείο να στεγνώσει.
- Βεβαιωθείτε ότι η περιοχή κοντά στην τάπα του νεπετόζιτου καυσίμου είναι καθαρή.
- Ανακινήστε καλά το δοχείο καυσίμου πριν προσθέσετε το μείγμα καυσίμου στο νεπετόζιτο καυσίμου.

"Στρώσιμο"

- Κατά τις πρώτες 10 ώρες λειτουργίας, μην ανοίγετε πλήρως το γκάζι χωρίς φορτίο για παρατεταμένες χρονικές περιόδους.

Για εκκίνηση και σταμάτημα

Έλεγχος πριν από την εκκίνηση

1. Βεβαιωθείτε ότι το προϊόν δεν έχει κάποιο εξάρτημα που λείπει, έχει υποστεί ζημιά, έχει βγει από τη θέση του ή εμφανίζει φθορά.
2. Βεβαιωθείτε ότι τα παξιμάδια και οι βίδες είναι σφιγμένα.
3. Βεβαιωθείτε ότι οι λεπίδες ή η κεφαλή του χορτοκοπτικού δεν έχουν υποστεί ζημιά.
4. Βεβαιωθείτε ότι το ασφαλιστικό παξιμάδι είναι σφιγμένο. Ανατρέξτε στην ενότητα *Έλεγχος του ασφαλιστικού παξιμαδιού στη σελίδα 108*.
5. Βεβαιωθείτε ότι το φίλτρο αέρα δεν είναι φραγμένο.
6. Βεβαιωθείτε ότι οι συσκευές ασφαλείας στο προϊόν δεν είναι ελαττωματικές.
7. Βεβαιωθείτε ότι το προϊόν δεν έχει διαρροή καυσίμου.

Για να ρυθμίσετε την εξάρτωση



ΠΡΟΕΙΔΟΠΟΙΗΣΗ: Το προϊόν πρέπει πάντα να είναι σωστά προσαρτημένο στην εξάρτωση. Μην χρησιμοποιείτε ελαττωματική εξάρτωση.

1. Φορέστε την εξάρτωση.
2. Συνδέστε το προϊόν στην εξάρτωση.
3. Ρυθμίστε την εξάρτωση για να επιτύχετε την καλύτερη θέση εργασίας.
4. Ρυθμίστε τους πλευρικούς ιμάντες, ώστε το βάρος του προϊόντος να κατανέμεται ομοιόμορφα στους ώμους σας. (Εικ. 34)
5. Ρυθμίστε την εξάρτωση μέχρι παρελκόμενο κοπής να γίνει παράλληλο προς το έδαφος.
6. Αφήστε το παρελκόμενο κοπής να ακουμπήσει ελαφρώς στο έδαφος. Προσαρμόστε τον σφιγκτήρα της εξάρτωσης για να ισορροπήσετε σωστά το προϊόν.

Περιεχόμενα Εάν χρησιμοποιείτε λεπίδα χόρτου, θα πρέπει να ισορροπήσει περίπου 10 cm /4 in πάνω από το έδαφος.

Εκκίνηση με κρύο κινητήρα

1. Πιέστε τη φούσκα της χειροκίνητης αντλίας καυσίμου (πουάρ) 10 φορές. (Εικ. 35)
2. Τραβήξτε προς τα πάνω το χειριστήριο του τσοκ. (Εικ. 36)
3. Κρατήστε το σώμα του προϊόντος στο έδαφος με το αριστερό σας χέρι. (Εικ. 37) Μην πατάτε επάνω στο

προϊόν. Τραβήξτε αργά τη λαβή του κορδονιού της μίζας μέχρι να αισθανθείτε αντίσταση. Στη συνέχεια, τραβήξτε δυνατά τη λαβή του κορδονιού της μίζας.

Περιεχόμενα Μην τραβάτε τη σκανδάλη γκαζιού ενώ προσπαθείτε να βάλετε μπροστά τον κινητήρα.

4. Συνεχίστε να τραβάτε τη λαβή του κορδονιού της μίζας μέχρι την εκκίνηση ή την απόπειρα εκκίνησης του κινητήρα (έως 3 τραβήγματα). Εάν ο κινητήρας εκκινήσει ή προσπαθεί να εκκινήσει, πιέστε το χειριστήριο τσοκ προς τα κάτω. Συνεχίστε να τραβάτε μέχρι να εκκινήσει ο κινητήρας. Περιμένετε 60 δευτερόλεπτα μετά από την εκκίνηση, πριν τραβήξετε τη σκανδάλη γκαζιού.



ΠΡΟΣΟΧΗ: Μην τραβήξετε το κορδόνι της μίζας μέχρι να σβήσει. Μην αφήσετε το κορδόνι της μίζας όταν εκταθεί πλήρως. Αφήστε αργά το κορδόνι της μίζας. Εάν δεν τηρήσετε αυτές τις οδηγίες, μπορεί να προκληθεί ζημιά στον κινητήρα.

Για εκκίνηση με ζεστό κινητήρα

1. Πιέστε τη φούσκα της χειροκίνητης αντλίας καυσίμου (πουάρ) 10 φορές.
2. Τραβήξτε το κορδόνι της μίζας μέχρι να εκκινήσει ο κινητήρας.

Εκκίνηση του κινητήρα όταν το καύσιμο είναι υπερβολικά ζεστό

Εάν το προϊόν δεν ξεκινάει, το καύσιμο μπορεί να είναι υπερβολικά ζεστό.

Περιεχόμενα Να χρησιμοποιείτε πάντα νέα καύσιμα και μειώνετε το χρόνο λειτουργίας όταν ο καιρός είναι ζεστός.

1. Τοποθετήστε το προϊόν σε δροσερό χώρο μακριά από την ηλιακή ακτινοβολία.
2. Αφήστε το προϊόν να κρυώσει για 20 λεπτά τουλάχιστον.
3. Πιέστε επανειλημμένα τη φούσκα της χειροκίνητης αντλίας καυσίμου (πουάρ) για 10-15 δευτερόλεπτα.
4. Ακολουθήστε τη διαδικασία εκκίνησης με κρύο κινητήρα. Ανατρέξτε στην ενότητα *Εκκίνηση με κρύο κινητήρα στη σελίδα 105*.

Για να διακόψετε τη λειτουργία

- Πιέστε τον διακόπτη λειτουργίας για να σβήσετε τον κινητήρα. (Εικ. 21)

Περιεχόμενα Ο διακόπτης διακοπής λειτουργίας επιστρέφει αυτόματα στην αρχική του θέση.

Για λειτουργία του χορτοκοπτικού



ΠΡΟΣΟΧΗ: Βεβαιωθείτε ότι επιβραδύνετε τον κινητήρα στις στροφές ανά λεπτό ρελαντί μετά από κάθε εργασία. Σε περίπτωση μεγάλου διαστήματος με τέρμα το γκάζι χωρίς φορτίο στον κινητήρα, μπορεί να προκληθεί ζημιά στον κινητήρα.

Περιεχόμενα Καθαρίστε το κάλυμμα της κεφαλής χορτοκοπτικού κατά την προσάρτηση καινούργιας μεσινέζας χορτοκοπτικού, για να αποφύγετε κραδασμούς. Ελέγξτε τα υπόλοιπα μέρη της κεφαλής χορτοκοπτικού και καθαρίστε τα, εάν είναι απαραίτητο.

Για ξάκρισμα του γρασιδιού

1. Κρατήστε την κεφαλή χορτοκοπτικού ακριβώς πάνω από το έδαφος, υπό γωνία. Μην πιέζετε τη μεσινέζα του χορτοκοπτικού στο γρασίδι. (Εικ. 38)
2. Μειώστε το μήκος της μεσινέζας του χορτοκοπτικού κατά 10-12 cm/4-4,75 in.
3. Μειώστε τις στροφές του κινητήρα για να μειώσετε τον κίνδυνο πρόκλησης ζημιών στα φυτά.
4. Όταν κόβετε γρασίδι κοντά σε αντικείμενα, πρέπει να ρυθμίζετε το γκάζι στο 80%. (Εικ. 39)

Για κοπή του γρασιδιού

1. Βεβαιωθείτε ότι η μεσινέζα του χορτοκοπτικού είναι παράλληλη προς το έδαφος κατά τη διάρκεια της κοπής του γρασιδιού. (Εικ. 40)
2. Μην πιέζετε την κεφαλή χορτοκοπτικού στο έδαφος. Μπορεί να προκληθεί ζημιά στο προϊόν.
3. Μετακινείτε το προϊόν από τη μία πλευρά στην άλλη όταν κόβετε γρασίδι. Ρυθμίστε τέρμα το γκάζι. (Εικ. 41)

Για να καθαρίσετε το γρασίδι με λεπίδα χόρτου

1. Οι λεπίδες και τα κοπτικά εργαλεία χόρτου δεν πρέπει να χρησιμοποιούνται ποτέ σε ξυλώδη βλάστηση.
2. Η λεπίδα χόρτου χρησιμοποιείται για όλους τους τύπους ψηλού ή πυκνού χόρτου.
3. Το γρασίδι κόβεται με πλευρικές, παλινδρομικές κινήσεις. Η κίνηση από δεξιά προς τα αριστερά είναι η διαδρομή καθαρισμού και η κίνηση από τα αριστερά προς τα δεξιά είναι η διαδρομή επαναφοράς. Αφήστε την αριστερή πλευρά της λεπίδας (μεταξύ των θέσεων ρολογιού 8 και 12) να κόβει.
4. Εάν η λεπίδα έχει κλίση προς τα αριστερά κατά τον καθαρισμό του γρασιδιού, το γρασίδι θα συγκεντρώνεται σε μια γραμμή και αυτό διευκολύνει τη συλλογή του, π.χ. με τσουγκράνα.
5. Προσπαθήστε να εργάζεστε ρυθμικά. Σταθείτε σταθερά με ανοικτά τα πόδια. Μετακινήστε προς τα

εμπρός μετά τη διαδρομή επαναφοράς και σταθεύει ξανά σταθερά.

- Αφήστε το δοχείο στήριξης να ακουμπήσει ελαφρώς στο έδαφος. Αυτό γίνεται για να προστατευτεί η λεπίδα από χτύπημα στο έδαφος.
- Για να μειώσετε τον κίνδυνο τυλίγματος υλικών γύρω από τη λεπίδα, πρέπει πάντα να εργάζεστε με τέρμα το γκάζι και να αποφεύγετε το ήδη κομμένο υλικό κατά τη διαδρομή επαναφοράς.
- Σβήστε τον κινητήρα, αποσυνδέστε την εξάρτηση και τοποθετήστε το μηχάνημα στο έδαφος πριν αρχίσετε να συλλέγετε το κομμένο υλικό.

Κεφαλή χορτοκοπτικού

- Βεβαιωθείτε ότι τυλίγεται τη μεσινέζα χορτοκοπτικού σφίχτα και ομοιόμορφα γύρω από την καμπίνα, για να μειώσετε τους κραδασμούς.
- Χρησιμοποιήστε μόνο εγκεκριμένες κεφαλές χορτοκοπτικού και μεσινέζες χορτοκοπτικού. Ανατρέξτε στην ενότητα *Αξεσουάρ στη σελίδα 111*.
- Χρησιμοποιήστε το σωστό μήκος μεσινέζας χορτοκοπτικού. Η μεσινέζα χορτοκοπτικού για ψηλό

γρασίδι χρησιμοποιεί περισσότερη ισχύ κινητήρα σε σύγκριση με μια μεσινέζα χορτοκοπτικού για κοντό γρασίδι.

- Βεβαιωθείτε ότι το κοπτικό εργαλείο στο προστατευτικό παρελκομένου κοπής δεν έχει υποστεί ζημιά.
- Εμποτίστε τη μεσινέζα χορτοκοπτικού σε νερό για 2 ημέρες πριν την προσαρτήσετε στο προϊόν. Αυτό αυξάνει τη διάρκεια ζωής της μεσινέζας χορτοκοπτικού.

Για να αντικαταστήσετε τη μεσινέζα του χορτοκοπτικού

(Εικ. 42)

(Εικ. 43)

(Εικ. 44)

(Εικ. 45)

(Εικ. 46)

(Εικ. 47)

(Εικ. 48)

(Εικ. 49)

Συντήρηση

Εισαγωγή



ΠΡΟΕΙΔΟΠΟΙΗΣΗ: Προτού εκτελέσετε εργασίες συντήρησης, πρέπει να διαβάσετε και να κατανοήσετε το κεφάλαιο για την ασφάλεια.

Για όλες τις εργασίες συντήρησης και επισκευής στο προϊόν, είναι απαραίτητη ειδική εκπαίδευση. Μπορούμε να εγγυηθούμε για τη διαθεσιμότητα των επαγγελματικών επισκευών και τη συντήρηση. Αν ο αντιπρόσωπός σας δεν είναι αντιπρόσωπος σέρβις, μιλήστε του για πληροφορίες σχετικά με τον πλησιέστερο αντιπρόσωπο σέρβις.

Πρόγραμμα συντήρησης

Εβδομαδιαία συντήρηση

- Καθαρίστε τις εξωτερικές επιφάνειες.
- Βεβαιωθείτε ότι το παρελκόμενο κοπής δεν μετακινείται όταν το μηχάνημα λειτουργεί στο ρελαντί. Ανατρέξτε στην ενότητα *Για να ρυθμίσετε τις στροφές ανά λεπτό ρελαντί στη σελίδα 107*.
- Ελέγξτε τη στάθμη του γράσου στο κωνικό γρανάζι. Ανατρέξτε στην ενότητα *Για να προσθέσετε γράσο στο κωνικό γρανάζι στη σελίδα 108*.
- Ελέγξτε το ασφαλιστικό παξιμαδί. Ανατρέξτε στην ενότητα *Έλεγχος του ασφαλιστικού παξιμαδιού στη σελίδα 108*.

Μηνιαία συντήρηση

- Βεβαιωθείτε ότι η λαβή του σχοινιού εκκίνησης και το σχοινί εκκίνησης δεν έχουν υποστεί ζημιά.

Ετήσια συντήρηση

- Εξετάστε το μπουζί. Ανατρέξτε στην ενότητα *Για να εξετάσετε το μπουζί στη σελίδα 108*.
- Καθαρίστε τις εξωτερικές επιφάνειες του καρμπυρατέρ και τις γιγονικές περιοχές.
- Καθαρίστε το σύστημα ψύξης.
- Εξετάστε το πλέγμα της φλογοπαγίδας. Ανατρέξτε στην ενότητα *Για εκτέλεση εργασιών συντήρηση στο πλέγμα φλογοπαγίδας στη σελίδα 108*.
- Εξετάστε το φίλτρο καυσίμου.
- Βεβαιωθείτε ότι ο σωλήνας καυσίμου δεν έχει υποστεί ζημιά.
- Βεβαιωθείτε ότι τα καλώδια και οι συνδέσεις στο προϊόν δεν έχουν υποστεί ζημιά.

Για να ρυθμίσετε τις στροφές ανά λεπτό ρελαντί

- Βεβαιωθείτε ότι το φίλτρο αέρα είναι καθαρό και ότι το κάλυμμα φίλτρου αέρα είναι προσαρτημένο, πριν από τη ρύθμιση των στροφών ανά λεπτό ρελαντί.
 - Ρυθμίστε τις στροφές του ρελαντί με τη βίδα ρύθμισης του ρελαντί T, η οποία αναγνωρίζεται από την ένδειξη "T".
 - Οι στροφές ανά λεπτό ρελαντί είναι σωστές όταν ο κινητήρας λειτουργεί ομαλά σε όλες τις θέσεις. Οι στροφές ανά λεπτό ρελαντί πρέπει να είναι κάτω από τις στροφές που παρατηρούνται τη στιγμή που το παρελκόμενο κοπής αρχίζει να γυρίζει.
- Γυρίστε τη βίδα ρύθμισης ρελαντί προς τα δεξιά μέχρι το παρελκόμενο κοπής να αρχίσει να γυρίζει. (Εικ. 50)

2. Γυρίστε τη βίδα ρύθμισης ρελαντί προς τα αριστερά μέχρι το παρελκόμενο κοπής να σταματήσει.

Για εκτέλεση εργασιών συντήρησης στο πλέγμα φλογοπαγίδας

Χρησιμοποιήστε συρματοβούρτσα για να καθαρίσετε το πλέγμα της φλογοπαγίδας.
(Εικ. 51)

Για να καθαρίσετε το σύστημα ψύξης

Καθαρίστε τα εξαρτήματα του συστήματος ψύξης με μια βούρτσα.

(Εικ. 52)

Για να εξετάσετε το μπουζί



ΠΡΟΣΟΧΗ: Χρησιμοποιήστε το συνιστώμενο μπουζί. Βεβαιωθείτε ότι το ανταλλακτικό είναι το ίδιο με το εξάρτημα που παρέχεται από τον κατασκευαστή. Ένα ακατάλληλο μπουζί μπορεί να προκαλέσει ζημιά στο προϊόν.

1. Εξετάστε το μπουζί όταν:
 - a) Ο κινητήρας έχει χαμηλή ισχύ.
 - b) Ο κινητήρας δεν εκκινείται εύκολα.
 - c) Ο κινητήρας δεν λειτουργεί σωστά στις στροφές ανά λεπτό ρελαντί.
2. Εάν ο κινητήρας δεν εκκινείται εύκολα ή δεν λειτουργεί, εξετάστε το μπουζί για ανεπιθύμητα υλικά. Για να μειώσετε τον κίνδυνο ανεπιθύμητου υλικού στα ηλεκτρόδια του μπουζί:
 - a) Βεβαιωθείτε ότι οι στροφές ανά λεπτό ρελαντί έχουν ρυθμιστεί σωστά.
 - b) Βεβαιωθείτε ότι το μείγμα καυσίμου είναι σωστό.
 - c) Βεβαιωθείτε ότι το φίλτρο αέρα είναι καθαρό.
3. Καθαρίστε το μπουζί, εάν είναι βρόμικο. Ελέγξτε ότι το διάκενο ηλεκτροδίου είναι σωστό. (Εικ. 53)
4. Αντικαταστήστε το μπουζί όταν είναι απαραίτητο.

Για εκτέλεση εργασιών συντήρησης στο φίλτρο αέρα

Για να καθαρίσετε το φίλτρο αέρα

1. Αφαιρέστε το κάλυμμα του φίλτρου αέρα και το φίλτρο αέρα. (Εικ. 54)
2. Καθαρίστε το φίλτρο αέρα με ζεστό σαπουνόνερο. Βεβαιωθείτε ότι το φίλτρο αέρα είναι στεγνό πριν να το εγκαταστήσετε.
3. Αντικαταστήστε το φίλτρο αέρα εάν είναι πολύ βρόμικο για να καθαριστεί πλήρως. Πρέπει πάντα να αντικαθιστάτε το φίλτρο αέρα, εάν έχει υποστεί ζημιά.
4. Εάν το προϊόν σας διαθέτει αφρώδες φίλτρο αέρα, εφαρμόστε λάδι φίλτρου αέρα. Εφαρμόστε λάδι

φίλτρου αέρα μόνο σε αφρώδες φίλτρο. Μην εφαρμόζετε λάδι σε φίλτρο κετσέ.

Για να εφαρμόσετε λάδι φίλτρου αέρα στο φίλτρο αέρα



ΠΡΟΣΟΧΗ: Χρησιμοποιήστε πάντα ειδικό λάδι φίλτρου αέρα σε αφρώδη φίλτρα αέρα. Μην χρησιμοποιείτε άλλους τύπους λαδιού.



ΠΡΟΕΙΔΟΠΟΙΗΣΗ: Το λάδι δεν πρέπει να έρχεται σε επαφή με το σώμα σας.

1. Αφαιρέστε το κάλυμμα του φίλτρου αέρα και το φίλτρο αέρα. (Εικ. 55)
2. Τοποθετήστε το φίλτρο αέρα σε μια πλαστική σακούλα.
3. Ρίξτε το λάδι του φίλτρου αέρα στην πλαστική σακούλα. (Εικ. 56)
4. Πιέστε την πλαστική σακούλα για να βεβαιωθείτε ότι το λάδι παρέχεται ομοιόμορφα διαμέσου του φίλτρου αέρα.
5. Πιέστε το φίλτρο αέρα, ενώ βρίσκεται στη σακούλα, για να αφαιρέσετε το περιττό λάδι φίλτρου αέρα. Αφαιρέστε το φίλτρο αέρα από τη σακούλα.
6. Εγκαταστήστε το φίλτρο αέρα.

Για να προσθέσετε γράσο στο κωνικό γρανάζι

Βεβαιωθείτε ότι το κωνικό γρανάζι είναι γεμάτο κατά 3/4 με γράσο κωνικού γραναζιού.

(Εικ. 57)

Έλεγχος του ασφαλιστικού παξιμαδιού



ΠΡΟΣΟΧΗ: Αντικαθιστάτε το ασφαλιστικό παξιμάδι μετά από 10 χρήσεις.

1. Γυρίστε το ασφαλιστικό παξιμάδι προς τα αριστερά για να το σφίξετε. Γυρίστε το παξιμάδι προς τα δεξιά για να το αφαιρέσετε. (Εικ. 58)
2. Βεβαιωθείτε ότι δεν είναι δυνατή η περιστροφή της νάιλον επένδυσης του ασφαλιστικού παξιμαδιού με το χέρι. Η νάιλον επένδυση πρέπει να παρέχει ελάχιστη αντίσταση 1,5 Nm / 1,1 ft/lb.
3. Σφίξτε το ασφαλιστικό παξιμάδι με ροπή 35-50 Nm / 26-36 ft/lb, εάν η αντίσταση είναι κάτω από το ελάχιστο όριο.



ΠΡΟΣΟΧΗ: Εάν σφίξετε πολύ το ασφαλιστικό παξιμάδι, μπορεί να προκληθεί ζημιά στα σπειρώματα.

Για το ακόνισμα του μαχαιριού χόρτου και της λεπίδας χόρτου



ΠΡΟΕΙΔΟΠΟΙΗΣΗ: Διακόψτε τη λειτουργία του κινητήρα. Χρησιμοποιείτε προστατευτικά γάντια.

- Για να ακονίσετε το μαχαίρι χόρτου ή τη λεπίδα χόρτου σωστά, ανατρέξτε στις οδηγίες που παρέχονται με το παρελκόμενο κοπής.

- Ακονίστε ομοιόμορφα όλα τα άκρα, για να διατηρηθεί η ισορροπία.
- Χρησιμοποιήστε μονοκόμματη πλακέ λιμά. (Εικ. 59)



ΠΡΟΕΙΔΟΠΟΙΗΣΗ: Απορρίψτε πάντα τις κατεστραμμένες λεπίδες. Μην προσπαθήσετε να ισιώσετε μια λεπίδα που έχει στραβώσει ή συστραφεί και μην την χρησιμοποιήσετε ξανά.

Αντιμέτωπιση προβλημάτων

Ο κινητήρας δεν εκκινείται

Έλεγχος	Πιθανή αιτία	Διαδικασία
Διακόπτης τερματισμού λειτουργίας.	Ο διακόπτης τερματισμού λειτουργίας βρίσκεται στη θέση τερματισμού.	Θέστε τον διακόπτη τερματισμού λειτουργίας στη θέση εκκίνησης.
Άγκιστρα εμπλοκής του συστήματος εκκίνησης με το βολάν.	Τα άγκιστρα εμπλοκής του συστήματος εκκίνησης με το βολάν δεν μπορούν να κινηθούν ελεύθερα.	Αφαιρέστε το κάλυμμα της μίζας και καθαρίστε την περιοχή γύρω από τα άγκιστρα εμπλοκής του συστήματος εκκίνησης με το βολάν. Ζητήστε βοήθεια από έναν εγκεκριμένο αντιπρόσωπο σέρβις.
Ντεπόζιτο καυσίμου.	Λανθασμένος τύπος καυσίμου.	Αδειάστε το ντεπόζιτο καυσίμου και γεμίστε με το σωστό καύσιμο.
Μπουζί.	Το μπουζί είναι λερωμένο ή υγρό. Το διάκενο των ηλεκτροδίων του μπουζί είναι λανθασμένο. Το μπουζί έχει χαλαρώσει.	Βεβαιωθείτε ότι το μπουζί είναι στεγνό και καθαρό. Καθαρίστε το μπουζί. Βεβαιωθείτε ότι το διάκενο ηλεκτροδίου είναι σωστό. Βεβαιωθείτε ότι το μπουζί έχει αντιπαρασπικό. Ανατρέξτε στα τεχνικά στοιχεία για το σωστό διάκενο ηλεκτροδίου. Σφίξτε το μπουζί.

Ο κινητήρας ξεκινάει αλλά σταματάει ξανά

Έλεγχος	Πιθανή αιτία	Διαδικασία
Ντεπόζιτο καυσίμου	Λανθασμένος τύπος καυσίμου.	Αδειάστε το ντεπόζιτο καυσίμου και γεμίστε με το σωστό καύσιμο.
Φίλτρο αέρα	Το φίλτρο αέρα έχει φράξει.	Καθαρίστε το φίλτρο αέρα.

Μεταφορά, αποθήκευση και απόρριψη

Μεταφορά και αποθήκευση

- Αφήστε το προϊόν να κρυώσει πριν από τη μεταφορά ή την αποθήκευση.
- Αφαιρέστε το καπάκι του μπουζι πριν την αποθήκευση για μεγάλο χρονικό διάστημα.
- Να στερεώνετε το προϊόν κατά τη μεταφορά. Βεβαιωθείτε ότι δεν μπορεί να μετακινηθεί.
- Βεβαιωθείτε ότι δεν υπάρχει κίνδυνος διαρροής καυσίμου, αναθυμιάσεων καυσίμου, σπινθήρων και φλογών κατά τη μεταφορά και την αποθήκευση.
- Προσαρτήστε το προστατευτικό μεταφοράς κατά τη μεταφορά και την αποθήκευση.
- Να καθαρίζετε και να κάνετε συντήρηση στο προϊόν πριν το αποθηκεύσετε για μεγάλο χρονικό διάστημα.

Τεχνικά στοιχεία

Τεχνικά στοιχεία

	325R A05328CBHV
Κινητήρας	
Κυβισμός κυλίνδρου, cm ³	27,6
Στροφές ανά λεπτό στο ρελαντί, σ.α.λ.	2800 - 3200
Συνιστώμενες μέγ. στροφές, σ.α.λ	8000
Απόδοση ισχύος / Μέγ. ισχύς κινητήρα, κατά ISO 8893, kW/hp σε σ.α.λ.	0,9/1,2 στις 8000
Εξάτμιση (σιγαστήρας) καταλυτικού μετατροπέα	Ναι
Στροφές άξονα εξόδου, σ.α.λ	7200
Σύστημα ανάφλεξης	
Μπουζι	Husqvarna HQT-4
Διάκενο ηλεκτροδίου, mm	0,5
Σύστημα καυσίμου	
Χωρητικότητα ντεπόζιτου καυσίμου, l/cm ³	0,343/343
Διαστάσεις προϊόντος	
Βάρος, kg	5,5
Εκπομπές θορύβου¹⁹	
Στάθμη ηχητικής ισχύος, μετρημένη, με λεπίδα χόρτου, dB (A)	108
Στάθμη ηχητικής ισχύος, μετρημένη, με κεφαλή χορτοκοπτικού, dB (A)	110
Στάθμη ηχητικής ισχύος, εγγυημένη, (L _{WA}), με λεπίδα χόρτου, dB(A)	112

¹⁹ Οι εκπομπές θορύβου στο περιβάλλον, οι οποίες μετρούνται ως ηχητική ισχύς (L_{WA}), σε συμμόρφωση με την Οδηγία 2000/14/ΕΚ. Η καταγεγραμμένη στάθμη ηχητικής ισχύος για το προϊόν έχει μετρηθεί με το αυθεντικό παρελκόμενο κοπής, που δίνει την υψηλότερη στάθμη. Η διαφορά μεταξύ της εγγυημένης και της μετρούμενης ηχητικής ισχύος είναι ότι η εγγυημένη ηχητική ισχύς περιλαμβάνει επίσης τη διασπορά στο αποτέλεσμα της μέτρησης και τις αποκλίσεις μεταξύ των διαφορετικών προϊόντων του ίδιου μοντέλου σύμφωνα με την Οδηγία 2000/14/ΕΚ.

	325R A05328CBHV
Στάθμη ηχητικής ισχύος, εγγυημένη (L_{WA}), με κεφαλή χορτοκοπτικού, dB(A)	114
Στάθμες ήχου²⁰	
Στάθμη ηχητικής πίεσης στο αυτί του χειριστή, με λεπίδα χόρτου, dB(A)	96
Στάθμη ηχητικής πίεσης στο αυτί του χειριστή, με κεφαλή χορτοκοπτικού, dB(A)	95
Επίπεδα κραδασμών²¹	
Ισοδύναμη στάθμη κραδασμών (ahv, eq), με λεπίδα χόρτου, αριστερή λαβή, m/s^2	5,1
Ισοδύναμη στάθμη κραδασμών (ahv, eq), με λεπίδα χόρτου, δεξιά λαβή, m/s^2	5,7
Ισοδύναμη στάθμη κραδασμών (ahv, eq), με κεφαλή χορτοκοπτικού, αριστερή λαβή, m/s^2	4,1
Ισοδύναμη στάθμη κραδασμών (ahv, eq) με κεφαλή χορτοκοπτικού, δεξιά λαβή, m/s^2	4,9

Αξεσουάρ

Αξεσουάρ

Εγκεκριμένα αξεσουάρ	Τύπος	Προστατευτικό παρελκομένου κοπής
Άξονας με σπείρωμα	M10L	
Κεφαλή χορτοκοπτικού	t35, 2,4 mm	588 11 79-01
Λεπίδα χόρτου	Χόρτου 255-4, Ø 250	588 11 79-01

²⁰ Τα καταγεγραμμένα στοιχεία για την αντίστοιχη στάθμη ηχητικής πίεσης του προϊόντος έχουν μια τυπική στατιστική διασπορά (τυπική απόκλιση) ίση με 1 dB (A).

²¹ Τα καταγεγραμμένα στοιχεία για την ισοδύναμη στάθμη δονήσεων έχουν τυπική στατιστική διασπορά (τυπική απόκλιση) ίση με 1 m/s^2 .

Δήλωση Συμμόρφωσης ΕΚ

Περιεχόμενα της Δήλωσης Συμμόρφωσης ΕΚ

Εμείς, η Husqvarna AB, SE 561 82 Huskvarna, Σουηδία, δηλώνουμε με αποκλειστική μας ευθύνη ότι το απεικονιζόμενο προϊόν:

Το παρεχόμενο βενζινοκίνητο χορτοκοπτικό / θαμνοκοπτικό συμμορφώνεται με το δείγμα που υποβλήθηκε σε εξέταση.

Περιγραφή	Βενζινοκίνητο χορτοκοπτικό / θαμνοκοπτικό
Μάρκα	Husqvarna
Πλατφόρμα / Τύπος / Μοντέλο	Πλατφόρμα A05328CBHV, για το μοντέλο 325R.
Παρτίδα	Αριθμός σειράς με ημερομηνία 2018 και μεταγενέστερη.

συμμορφώνεται πλήρως με τις ακόλουθες οδηγίες και τους κανονισμούς της ΕΕ:

Οδηγία/Κανονισμός	Περιγραφή
2006/42/ΕΚ	"σχετικά με τα μηχανήματα"
2014/30 /ΕΕ	"σχετικά με την ηλεκτρομαγνητική συμβατότητα"
2000/14/ΕΚ	"σχετικά με εξωτερικό θόρυβο"
2011/65/ΕΕ	"περιορισμό της χρήσης ορισμένων επικίνδυνων ουσιών"

Εφαρμοζόμενα εναρμονισμένα πρότυπα ή/και τεχνικές προδιαγραφές: EN ISO 12100, EN ISO 11806-1, CISPR 12, ISO 14982, EN 50581:2012.

Σύμφωνα με την οδηγία 2000/14/ΕΚ, Παράρτημα V, οι δηλωθείσες τιμές για τον ήχο αναφέρονται στο κεφάλαιο Τεχνικά στοιχεία αυτού του εγχειριδίου και στην υπογεγραμμένη Δήλωση συμμόρφωσης ΕΚ.

Η TÜV Rheinland N.A. εκτέλεσε εθελοντικά έλεγχο για λογαριασμό της Husqvarna AB και εξέδωσε πιστοποιητικό συμμόρφωσης με την Οδηγία του Συμβουλίου ΕΚ 2006/42/ΕΚ για τα μηχανήματα.

Το πιστοποιητικό, όπως παρέχεται στην υπογεγραμμένη Δήλωση συμμόρφωσης ΕΚ, ισχύει για όλες τις εγκαταστάσεις παραγωγής και τις χώρες προέλευσης, όπως αναφέρονται στο προϊόν.

Contenido

Introducción.....	113	Resolución de problemas.....	124
Seguridad.....	114	Transporte, almacenamiento y eliminación.....	125
Montaje.....	119	Datos técnicos.....	125
Funcionamiento.....	120	Accesorios.....	127
Mantenimiento.....	122	Declaración CE de conformidad.....	128

Introducción

Manual de usuario

El idioma original de este manual de instrucciones es el inglés. Los manuales de usuario en otros idiomas son traducciones del inglés.

Uso previsto

Utilice el producto con una hoja para hierba o un cabezal de corte para cortar distintos tipos de vegetación.

Descripción del producto

(Fig. 1)

1. Cabezal de corte
2. Tapón de recarga de lubricante
3. Engranaje angulado
4. Protección del equipo de corte
5. Tubo
6. Botón de parada
7. Acelerador
8. Bloqueo del acelerador
9. Manillar
10. Abrazadera del arnés
11. Cuerpo del mecanismo de arranque
12. Sombrero de bujía, bujía
13. Empuñadura de la cuerda de arranque
14. Depósito de combustible
15. Tapa del filtro de aire
16. Perilla de la bomba de combustible
17. Control del estrangulador
18. Regulación de mango
19. Cable del acelerador
20. Botón de ralentí rápido
21. Mazo de cables
22. Llave combinada
23. Manual de usuario
24. Protección para transportes
25. Cuchilla
26. Cazoleta de apoyo
27. Brida de apoyo
28. Contratuerca

Nota: El uso de este producto podría estar regulado por la legislación nacional.

29. Pieza de arrastre
30. Pasador de seguridad
31. Llave hexagonal

Símbolos que aparecen en el producto

(Fig. 2) **ADVERTENCIA:** Este producto es peligroso. Si el producto no se usa con cuidado y de la forma correcta, el usuario o las personas que se encuentren cerca pueden sufrir lesiones personales o incluso la muerte. Para evitar lesiones graves al usuario o a cualquier persona que se encuentre cerca, lea y cumpla todas las instrucciones de seguridad descritas en el manual de usuario.

(Fig. 3) Lea detenidamente el manual de usuario y asegúrese de que entiende las instrucciones antes de usar la máquina.

(Fig. 4) Utilice un casco protector si trabaja en un lugar donde puedan caer objetos. Utilice protección auditiva homologada. Utilice protección ocular homologada.

(Fig. 5) Utilice guantes protectores homologados.

(Fig. 6) Utilice botas de trabajo antideslizantes.

(Fig. 7) Las flechas muestran los límites establecidos para la posición de la empuñadura.

- (Fig. 8) El producto puede provocar que los objetos salgan despedidos y esto puede causar lesiones.
- (Fig. 9) Velocidad máxima del eje de salida.
- (Fig. 10) Mantenga siempre a las personas y animales a una distancia mínima de 15 m/50 pies durante el funcionamiento del producto.
- (Fig. 11) Existe riesgo de lanzada de hoja si el equipo de corte entra en contacto con un objeto que no pueda cortar inmediatamente. El producto puede cortar partes del cuerpo. Mantenga siempre a las personas y animales a una distancia mínima de 15 m/50 pies durante el funcionamiento del producto.
- (Fig. 12) Perilla de la bomba de combustible.
- (Fig. 13) Estrangulador.
- (Fig. 14) Mantenga todas las partes del cuerpo lejos de las superficies calientes.
- (Fig. 15) Las emisiones sonoras en el entorno hacen referencia a la directiva de la Comunidad Europea. Las emisiones del producto se indican en el capítulo Datos técnicos y en la etiqueta.
- (Fig. 16) El producto cumple con las directivas CE vigentes.
- (Fig. 17) El producto cumple con las directivas EAC vigentes.

La placa de características muestra el número de serie. **aaaa** es el año de fabricación, **ss** es la semana de producción y **xxxxx** es el número de serie.

aaaassxxxxx

Nota: Los demás símbolos/etiquetas que aparecen en el producto corresponden a requisitos de homologación específicos en otras zonas comerciales.

Responsabilidad sobre el producto

Como se estipula en las leyes de responsabilidad del producto, no nos hacemos responsables de los daños y perjuicios causados por nuestro producto si:

- El producto se ha reparado incorrectamente.
- El producto se ha reparado con piezas que no eran del fabricante o no autorizadas por el fabricante.
- El producto tiene un accesorio que no es del fabricante o no está autorizado por este.
- El producto no se ha reparado en un centro de servicio autorizado o por un organismo homologado.

UE V



ADVERTENCIA: La manipulación del motor anula la homologación de la UE de este producto.

Seguridad

Definiciones de seguridad

Las advertencias, precauciones y notas se utilizan para destacar información especialmente importante del manual.



ADVERTENCIA: Indica un riesgo de lesiones o incluso de muerte del usuario o de las personas cercanas si no se respetan las instrucciones del manual.



PRECAUCIÓN: Indica un riesgo de daños en el producto, otros materiales o el área adyacente si no se respetan las instrucciones del manual.

Nota: Se usa para proporcionar más información necesaria en una situación determinada.

Seguridad respecto a las vibraciones

Este producto está diseñado para uso ocasional exclusivamente. El uso frecuente o continuo del producto puede provocar casos de enfermedad de Raynaud o problemas médicos similares debido a las vibraciones. Observe el estado de sus manos y dedos si usa el producto de forma frecuente o continua. Si sus manos o dedos presentan decoloración, dolor, hormigueo o entumecimiento, deje de trabajar y acuda a un médico de inmediato.

Instrucciones generales de seguridad



ADVERTENCIA: Lea las siguientes instrucciones de advertencia antes de utilizar el producto.

- Use el producto correctamente. Las lesiones o la muerte son un posible resultado de un uso incorrecto. Utilice el producto solo para las tareas indicadas en este manual. No utilice el producto para otras tareas.
- Respete las instrucciones de este manual. Respete los símbolos de seguridad y las instrucciones de seguridad. Si el operador no respeta las instrucciones y los símbolos, pueden producirse lesiones, daños materiales o la muerte.
- No se deshaga de este manual. Utilice las instrucciones para montar su producto, utilizarlo y mantenerlo en buen estado. Utilice las instrucciones para la correcta instalación de los complementos y accesorios. Utilice únicamente complementos y accesorios autorizados.
- No utilice un producto dañado. Respete el programa de mantenimiento. Realice solamente el trabajo de mantenimiento indicado en las instrucciones de este manual. Todos los demás trabajos de mantenimiento debe hacerlos un centro de servicio autorizado.
- Este manual no puede incluir todas las situaciones que pueden producirse cuando utilice el producto. Proceda con cuidado y utilice el sentido común. No utilice el producto ni realice el mantenimiento del producto si no está seguro de cuál es la situación. Hable con un experto en el producto, su distribuidor, un taller de servicio o centro de servicio autorizado para obtener información.
- Desconecte el cable de la bujía antes de montar el producto, almacenarlo o realizar tareas de mantenimiento.
- No utilice el producto si se ha modificado respecto de sus especificaciones iniciales. No cambie una parte del producto sin la autorización del fabricante. Utilice únicamente piezas recomendadas por el fabricante. Las lesiones o la muerte son un posible resultado de un mantenimiento incorrecto.
- No inhale los vapores del motor. La inhalación los gases de escape del motor durante un tiempo prolongado supone un riesgo para la salud.
- Nunca arranque el producto en interiores ni cerca de material inflamable. Los gases de escape están calientes y pueden contener una chispa que puede iniciar un incendio. Una circulación de aire insuficiente puede causar lesiones o la muerte por asfixia o inhalación de monóxido de carbono.
- Al utilizar este producto, el motor emite un campo electromagnético. El campo electromagnético puede provocar daños en implantes médicos. Consulte a su médico y al fabricante del implante médico antes de usar el producto.
- No deje que un niño maneje el producto. No permita que nadie maneje el producto sin conocer las instrucciones.
- Si una persona con discapacidad física o mental usa el producto, asegúrese de supervisarla en todo momento. Debe haber presente en todo momento una persona mayor de edad responsable.
- Cierre con llave el producto en un área a la que no puedan acceder las personas no autorizadas ni los niños.
- El producto puede proyectar objetos con fuerza y causar lesiones. Respete las instrucciones de seguridad para reducir el riesgo de lesiones o muerte.
- No deje desatendido el producto con el motor encendido.
- El operador del producto es el responsable si se produce un accidente.
- Asegúrese de que las piezas no estén dañadas antes de utilizar el producto.
- Asegúrese de que se encuentra a una distancia mínima de 15 m (50 pies) de otras personas o animales antes de utilizar el producto. Asegúrese de que las personas que pueda haber en el área circundante sepan que va a usar el producto.
- Consulte las leyes nacionales o locales. Pueden prohibir o limitar el funcionamiento del producto en circunstancias determinadas.
- No utilice el producto si está cansado o se encuentra bajo los efectos de alcohol, drogas o medicamentos, que pueden tener efectos sobre su visión, capacidad de reacción, coordinación o criterio.

Instrucciones de seguridad para el montaje



ADVERTENCIA: Lea las siguientes instrucciones de advertencia antes de utilizar el producto.

- Retire el sombrerete de la bujía antes de montar el producto.
- Utilice guantes protectores homologados.
- Asegúrese de montar la cubierta y el eje correctamente antes de poner en marcha el motor.
- El disco de arrastre y la brida de apoyo deben acoplarse correctamente en el orificio central del equipo de corte. Un equipo de corte mal acoplado puede provocar lesiones graves o la muerte del operario o de otros.
- Para utilizar el producto de forma segura y evitar daños al usuario o a otras personas, el producto debe estar bien sujeto con el arnés.

Instrucciones de seguridad para el funcionamiento



ADVERTENCIA: Lea las siguientes instrucciones de advertencia antes de utilizar el producto.

- Asegúrese de que el producto esté completamente montado antes de utilizarlo.
- Antes de arrancar, aleje el producto 3 m/10 pies del punto en el que llenó el depósito de combustible. Ponga el producto sobre una superficie plana. Asegúrese de que el equipo de corte no entre en contacto con el suelo u otros objetos.
- El producto puede causar proyección de objetos, lo que puede provocar daños en los ojos. Utilice siempre una protección ocular homologada cuando utilice el producto.
- Tenga cuidado: mientras está trabajando, un niño puede acercarse al producto sin que usted se dé cuenta.
- No utilice el producto si hay otra persona en la zona de trabajo. Detenga el producto si alguien entra en la zona de trabajo.
- Asegúrese de tener siempre el control del producto.
- No utilice el producto si no puede recibir ayuda en caso de accidente. Antes de comenzar a utilizar el producto, asegúrese siempre de que otros saben que va a empezar a usarlo.
- No se gire con el producto sin asegurarse primero de que no hay personas ni animales en la zona de seguridad.
- Retire todos los materiales no deseados de la zona de trabajo antes de empezar. Si el equipo de corte choca contra un objeto, el objeto puede salir despedido y provocar daños o lesiones. El material

no deseado puede enrollarse en el equipo de corte y provocar daños.

- No utilice el producto en condiciones climáticas desfavorables (niebla, lluvia, viento fuerte, riesgo de rayos u otras condiciones climáticas peligrosas). Las condiciones climáticas desfavorables pueden provocar condiciones peligrosas (como superficies resbaladizas).
- Asegúrese de que puede moverse libremente y trabajar en una postura estable.
(Fig. 18)
- Asegúrese de que no corre riesgo de caerse mientras utiliza el producto. No se incline mientras utiliza el producto.
- Sujete siempre el producto con ambas manos. Mantenga el producto en el lado derecho del cuerpo.
(Fig. 19)

- Utilice el producto con el equipo de corte por debajo de la cadera.
- Si el mando del estrangulador está en la posición de estrangulamiento cuando arranque el motor, el equipo de corte comienza a girar.
- No toque el engranaje angulado después de parar el motor. El engranaje angulado está caliente después de parar el motor. Las zonas calientes pueden causar lesiones.
- Pare el motor antes de mover el producto.
- No deje el producto en el suelo con el motor encendido.
- Antes de retirar los materiales no deseados del producto, detenga el motor y espere hasta que el equipo de corte se detenga. Deje que el equipo de corte se detenga antes de que usted o un ayudante retire el material cortado.

Equipo de protección personal



ADVERTENCIA: Lea las siguientes instrucciones de advertencia antes de utilizar el producto.

- Utilice siempre el equipo de protección personal adecuado cuando utilice el producto. El equipo de protección personal no elimina el riesgo de lesiones. El equipo de protección personal reduce la gravedad de las lesiones en caso de accidente.
- Utilice siempre una protección ocular homologada mientras utiliza el producto.
- No utilice el producto con los pies descalzos o con calzado abierto. Utilice siempre botas de trabajo antideslizantes.
- Utilice pantalones largos gruesos.
- Si es necesario, utilice guantes protectores homologados.
- Utilice un casco si existe la posibilidad de caída de objetos sobre la cabeza.
- Utilice siempre protección auditiva homologada mientras utiliza el producto. La exposición al ruido

durante un periodo de tiempo prolongado puede causar pérdida de audición.

- Asegúrese de que tiene cerca un botiquín de primeros auxilios.

Dispositivos de seguridad en el producto



ADVERTENCIA: Lea las siguientes instrucciones de advertencia antes de utilizar el producto.

- No utilice un producto que tenga dispositivos de seguridad defectuosos.
- Realice una comprobación de los dispositivos de seguridad con frecuencia. Consulte la sección *Descripción del producto en la página 113*.
- Si los dispositivos de seguridad están defectuosos, hable con su taller de servicio Husqvarna.

Bloqueo del acelerador

El bloqueo del gatillo del acelerador bloquea el acelerador.

(Fig. 20)

Empuje el bloqueo del acelerador (A) para soltar el acelerador (B). Al soltar el mango, el bloqueo del acelerador y el acelerador vuelven a sus posiciones iniciales.

1. Asegúrese de que el acelerador (B) esté bloqueado en ralentí cuando suelte el bloqueo del acelerador (A).
2. Presione el bloqueo del acelerador (A) y asegúrese de que vuelve a su posición inicial al soltarlo.
3. Empuje el acelerador (B) y asegúrese de que vuelve a su posición inicial al soltarlo.

Arranque el motor y, a continuación, aplique la aceleración máxima. Suelte el acelerador y examine si el equipo de corte se detiene. Si el equipo de corte gira con el acelerador en la posición de ralentí, examine el tornillo de ajuste de ralentí del carburador.

Botón de parada

Arranque el motor. Asegúrese de que el motor se detiene al poner el botón de parada en la posición de parada.

(Fig. 21)

Protección del equipo de corte

La protección del equipo de corte impide que los objetos sueltos salgan despedidos hacia el operador.

(Fig. 22)

Examine la protección del equipo de corte para comprobar que no hay daños y sustitúyala si está dañada. Utilice únicamente la protección autorizada para el equipo de corte.

Silenciador

- No utilice un motor con un silenciador defectuoso. Un silenciador defectuoso aumenta el nivel de ruido y el riesgo de incendio. Tenga siempre a mano un extintor de incendios.
- Examine regularmente que el silenciador esté conectado al producto.
- No toque el motor ni el silenciador cuando el motor está encendido. No toque el motor ni el silenciador durante un tiempo después de parar el motor. Las superficies calientes pueden causar lesiones.
- Un silenciador caliente puede provocar un incendio. Tenga cuidado si utiliza el producto cerca líquidos o vapores inflamables.
- No toque las piezas del silenciador si este está dañado. Las piezas pueden contener productos químicos cancerígenos.

Contratuercia

La contratuercia se usa para bloquear algunos tipos de equipo de corte.

(Fig. 23)

Al instalar la contratuercia, apriétela en el sentido contrario al de funcionamiento del equipo de corte.

Mecanismo de apertura del arnés



ADVERTENCIA: No utilice el arnés si el mecanismo de apertura está defectuoso. Asegúrese de que el mecanismo de apertura del arnés funciona correctamente al ajustarse el producto.

El mecanismo del arnés se encuentra en la parte delantera del producto. Las correas del arnés deben estar siempre en la posición correcta.

(Fig. 24)

En caso de emergencia, el mecanismo del arnés le ayuda a la liberarse de forma segura del producto.

Accesorio de corte



ADVERTENCIA: Lea las siguientes instrucciones de advertencia antes de utilizar el producto.

- Realice el mantenimiento periódico. Deje que un centro homologado examine regularmente el equipo de corte para hacer ajustes o reparaciones.
 - El rendimiento del equipo de corte aumenta.
 - La vida útil del equipo de corte aumenta.
 - El riesgo de accidentes disminuye.
- Utilice solo una protección homologada para el equipo de corte. Para obtener más información, consulte *Accesorios en la página 127*.
- No utilice un equipo de corte dañado.

Hojas y cuchillas para hierba

- Utilice el producto con una hoja para hierba aprobada. No utilice una hoja para hierba sin instalar correctamente todas las piezas necesarias. Asegúrese de que ha realizado la instalación correctamente y de que ha utilizado las piezas adecuadas. Una instalación inadecuada puede hacer que la hoja salga despedida y provocar lesiones graves al operario o a los transeúntes.
- Use guantes protectores cuando manipule la hoja o realice tareas de mantenimiento en ella.
- Utilice protección para la cabeza cuando opere un producto con una hoja de hierba.
- Las hojas y cuchillas para hierba están destinadas a desbrozar hierba más gruesa.
- Una hoja para hierba puede causar lesiones graves mientras sigue girando después de parar el motor o de soltar el gatillo del acelerador. Asegúrese de que la hoja de hierba ha dejado de girar antes de cualquier tipo de mantenimiento.
- Detenga el motor antes de trabajar en el equipo de corte. Asegúrese de que el equipo de corte se detiene completamente. Desconecte el cable de encendido de la bujía.
- Utilice solo un equipo de corte o una hoja correctamente afilados.
- Mantenga los dientes de corte de la hoja afilados y en buen estado.

(Fig. 25)

- No utilice un equipo de corte dañado.
- Coloque la protección para transportes de la hoja de hierba cuando transporte o guarde el producto.

Lanzada de hoja

- Una lanzada de hoja es un movimiento repentino del producto hacia un lado, hacia delante o hacia atrás. Una lanzada de hoja se produce cuando la hoja de hierba o la hoja de sierra golpea contra un objeto que no puede cortar. En áreas en las que no resulta fácil ver el material que se está cortando el riesgo de lanzadas de hoja aumenta.
- Cuando se produce una lanzada de hoja, hay riesgo de que el producto o el operario se desplace de su posición. Una hoja en movimiento pueden golpear a los transeúntes y existe el riesgo de accidentes.
- Si la hoja está doblada, tiene grietas, está rota o dañada, deséchela.
- Utilice una hoja afilada. El riesgo de lanzada de hoja aumenta cuando la hoja no está bien afilada.

Seguridad en el uso del combustible



ADVERTENCIA: Lea las siguientes instrucciones de advertencia antes de utilizar el producto.

- No arranque el producto si está manchado con combustible o aceite del motor. Retire el combustible/aceite no deseado y deje secar el producto. Retire el combustible no deseado del producto.
- Si derrama combustible sobre la ropa, cámbiese inmediatamente.
- Evite el contacto con el combustible; puede provocarle lesiones. Si entra en contacto con el combustible, utilice jabón y agua para eliminar el combustible.
- No arranque el motor si derrama aceite o combustible sobre el producto o sobre su cuerpo.
- No arranque el motor si el producto tiene una fuga. Examine frecuentemente si hay fugas en el motor.
- Tenga cuidado con el combustible. El combustible es inflamable, sus vapores son explosivos y puede provocar lesiones o la muerte.
- No inhale los vapores de combustible, ya que pueden causar lesiones. Asegúrese de que hay ventilación suficiente.
- No fume cerca del combustible o el motor.
- No coloque objetos calientes cerca del combustible o el motor.
- No agregue el combustible con el motor encendido.
- Asegúrese de que el motor esté frío antes repostar.
- Antes de repostar, abra la tapa del depósito de combustible lentamente y deje salir el exceso de presión con cuidado.
- No añada combustible al motor en interiores. Una circulación de aire insuficiente puede causar lesiones o la muerte por asfixia o inhalación de monóxido de carbono.
- Apriete la tapa del depósito de combustible con cuidado o puede producirse un incendio.
- Antes de arrancarlo, lleve el producto a 3 m (10 pies) de distancia como mínimo del punto en el que llenó el depósito.
- No ponga demasiado combustible en el depósito de combustible.
- Asegúrese de que no pueda producirse una fuga al mover el producto o recipiente de combustible.
- No coloque el producto o un recipiente de combustible cerca de una llama descubierta, chispa o llama piloto. Asegúrese de que la zona de almacenamiento no contiene una llama descubierta.
- Utilice únicamente recipientes homologados para transportar o almacenar el combustible.
- Vacíe el depósito de combustible antes de almacenarlo por un tiempo prolongado. Respete la legislación local sobre lugares aptos para desechar combustible.
- Limpie el producto antes de almacenarlo por un tiempo prolongado.
- Desconecte el cable de la bujía antes de almacenar el producto para asegurarse de que el motor no arranque accidentalmente.

- No mezcle el combustible en un recinto cerrado o cerca de una fuente de calor.

Instrucciones de seguridad para el mantenimiento



ADVERTENCIA: Lea las instrucciones de advertencia siguientes antes de realizar el mantenimiento del producto.

- Lleve a cabo solamente las labores de servicio y mantenimiento indicadas en el presente manual de usuario. El resto de trabajos de reparación y mantenimiento deben encomendarse a un profesional.

- Lleve a cabo las comprobaciones de seguridad y siga las instrucciones de mantenimiento y servicio de este manual. El mantenimiento periódico aumenta la vida útil del producto y disminuye el riesgo de accidentes. Consulte *Programa de mantenimiento en la página 123* para ver las instrucciones.
- Si las comprobaciones de seguridad descritas en este manual de usuario no arrojan un resultado satisfactorio tras llevar a cabo los trabajos de mantenimiento, contacte con el taller de servicio. Le garantizamos que realizarán reparaciones y mantenimiento profesionales en su producto.

Montaje

Introducción



ADVERTENCIA: Antes de montar el producto, debe leer y entender el capítulo sobre seguridad.



ADVERTENCIA: Retire el cable de la bujía antes de montar el producto.

Montaje del manillar

1. Retire el tornillo situado detrás del acelerador. (Fig. 26)
2. Deslice el acelerador hacia el lado derecho del manillar.
3. Haga coincidir el orificio detrás del acelerador con el orificio del manillar.
4. Pase el tornillo por ambos orificios. Apriete el tornillo.
5. Coloque el manillar entre las flechas del tubo. Apriete el tornillo. (Fig. 27)

Instalación de la abrazadera del arnés

1. Coloque la abrazadera del arnés en el eje con el lazo de la abrazadera hacia arriba. Coloque la abrazadera del arnés por encima de las flechas del eje.
2. Coloque el cable del acelerador en la muesca de la parte inferior de la abrazadera del arnés.
3. Alinee los orificios para los tornillos de la abrazadera del arnés.
4. Fije 2 tornillos en los orificios.
5. Apriete los tornillos.

Para montar el equipo de corte

Instalación de la protección del equipo de corte

1. Coloque la protección del equipo de corte (A) en el eje. (Fig. 28)
2. Coloque el soporte (B) en la ranura de la protección del equipo de corte.
3. Fije el perno (C) a través del orificio del soporte en la protección del equipo de corte.

Instalación de la hoja para hierba

1. Compruebe que se ha colocado la protección del equipo de corte (A) en el producto. Consulte la sección *Instalación de la protección del equipo de corte en la página 119*. (Fig. 29)
2. Introduzca el pasador de bloqueo (B) en el orificio para bloquear el eje.
3. Coloque la hoja (E), la cazoleta de apoyo (F) y la brida de apoyo (G) en el eje de salida (D).
4. Asegúrese de que el disco de arrastre (C) se acople correctamente en el orificio central de la hoja. (Fig. 30)
5. Coloque la contratuerca (H) en el eje de salida. Sujete el eje de la llave combinada cerca de la protección del equipo de corte. Gire la llave combinada hacia la izquierda para apretar la contratuerca. Apriete la contratuerca a 35-50 Nm / 26-36 lb-pie.
6. Retire el pasador de bloqueo.

Instalación del cabezal de corte

1. Compruebe que se ha colocado la protección del equipo de corte (A) en el producto. Consulte la sección *Instalación de la protección del equipo de corte en la página 119*. (Fig. 31)
2. Compruebe que el disco de arrastre (C) se coloca en el eje de salida (D).
3. Introduzca el pasador de bloqueo (B) en el orificio para bloquear el eje.

- Coloque el cabezal de corte (E) en el eje de salida.
- Gire el cabezal de corte hacia la izquierda para apretarlo en el eje de salida. (Fig. 32)

- Retire el pasador de bloqueo.

Funcionamiento

Introducción



ADVERTENCIA: Antes de utilizar el producto, debe leer y entender el capítulo sobre seguridad.

Carburante

Este producto tiene un motor de dos tiempos.



PRECAUCIÓN: Un tipo de combustible incorrecto puede producir daños en el motor. Utilice una mezcla de gasolina y aceite para motores de dos tiempos.

Combustible premezclado

- Utilice gasolina de alquilato premezclada Husqvarna de buena calidad para mejorar el rendimiento y prolongar la vida útil del motor. Este combustible contiene menos productos químicos peligrosos que la gasolina tradicional, lo que reduce los gases de escape tóxicos. Con este combustible, se reduce la cantidad de residuos de la combustión, lo que ayuda a mejorar el nivel de limpieza de los componentes del motor.

Mezcla de combustible

Gasolina



PRECAUCIÓN: No utilice gasolina con un octanaje inferior a 90 octanos RON (87 AKI). Esto puede provocar daños en el producto.



PRECAUCIÓN: No utilice gasolina con una concentración de etanol de más del 10 % (E10). Esto puede provocar daños en el producto.

- Utilice siempre gasolina sin plomo nueva con un octanaje mínimo de 90 RON (87 AKI) y con una concentración de etanol de menos de 10 % (E10).
- Utilice gasolina con un mayor octanaje si utiliza con frecuencia el producto a un régimen del motor alto de manera continua.

Aceite para motores de dos tiempos

- Para obtener los mejores resultados y un rendimiento óptimo, utilice aceite para motores de dos tiempos Husqvarna.

- Si no se dispone de aceite para motores de dos tiempos Husqvarna, puede utilizarse un aceite para motores de dos tiempos de buena calidad para motores refrigerados por aire. Póngase en contacto con su taller de servicio para seleccionar el aceite correcto.



PRECAUCIÓN: No utilice nunca aceite para motores de dos tiempos motores fueraborda refrigerados por agua. No utilice aceite para motores de cuatro tiempos.

Mezcla de gasolina y aceite para motores de dos tiempos

Gasolina, litros	Aceite para motores de dos tiempos, litros
	2 % (50:1)
5	0,10
10	0,20
15	0,30
20	0,40



PRECAUCIÓN: Los errores, por pequeños que sean, pueden influir en la proporción de la mezcla considerablemente si mezcla pequeñas cantidades de combustible. Mida cuidadosamente la cantidad de aceite para asegurarse de obtener la mezcla adecuada.

(Fig. 33)

- Agregue la mitad de la cantidad de gasolina a un recipiente limpio homologado para combustible.
- Añada la cantidad total de aceite.
- Agite la mezcla de combustible.
- Añada el resto de gasolina al recipiente.
- Agite bien la mezcla de combustible.



PRECAUCIÓN: No mezcle combustible para más de 1 mes como máximo.

Para añadir combustible

- Utilice un recipiente de combustible con válvula antirrebote.
- Si hay algo de combustible en el recipiente, retire el combustible no deseado y deje secar el recipiente.
- Asegúrese de que la zona cercana a la tapa del depósito de combustible está limpia.
- Sacuda el contenedor de combustible antes de agregar la mezcla de combustible al depósito de combustible.

Rodaje

- Durante las primeras 10 horas de funcionamiento, no acelere al máximo sin carga durante periodos prolongados.

Para arrancar y parar

Para examinar el producto antes de comenzar a trabajar

1. Compruebe que no falten piezas en el producto ni que estén dañadas, sueltas o desgastadas.
2. Asegúrese de que las tuercas, los tornillos y los pernos estén bien apretados
3. Asegúrese de que ni las cuchillas ni el cabezal de corte presenten daños.
4. Asegúrese de que la contratuerca esté apretada. Consulte la sección *Inspección de la contratuerca en la página 124*.
5. Asegúrese de que el filtro de aire no esté obstruido.
6. Asegúrese de que los dispositivos de seguridad del producto no estén defectuosos.
7. Asegúrese de que el producto no tenga fugas de combustible.

Para ajustar el arnés



ADVERTENCIA: El producto siempre debe engancharse firmemente al arnés. No utilice un arnés defectuoso.

1. Colóquese el arnés.
2. Acople el producto al arnés.
3. Regule el arnés para obtener una postura de trabajo óptima.
4. Ajuste las correas laterales para distribuir uniformemente el peso sobre los hombros. (Fig. 34)
5. Ajuste el arnés de manera que el equipo de corte quede paralelo al suelo.
6. Deje que el equipo de corte toque ligeramente el suelo. Ajuste la abrazadera del arnés para equilibrar el producto correctamente.

Nota: Si utiliza una hoja para hierba, debe equilibrarse a alrededor de 10 cm/4 pulg. por encima del suelo.

Para arrancar el motor en frío

1. Presione la perilla de la bomba de combustible 10 veces. (Fig. 35)
2. Tire del estrangulador hacia arriba. (Fig. 36)
3. Sujete el cuerpo del producto contra el suelo con la mano izquierda. (Fig. 37) No pise el producto. Tire de la empuñadura de la cuerda de arranque lentamente hasta que note algo de resistencia. A continuación, tire de la empuñadura de la cuerda de arranque con fuerza.

Nota: No tire del acelerador mientras arranca el motor.

4. Continúe tirando de la empuñadura de la cuerda de arranque hasta que el motor arranque o intente arrancar (máx. 3 veces). Si el motor arranca o intenta arrancar, presione el estrangulador hacia abajo. Continúe tirando hasta que el motor arranque. Espere 60 segundos tras el arranque antes de tirar del acelerador.



PRECAUCIÓN: No tire de la cuerda de arranque hasta que se detenga. No suelte la cuerda de arranque cuando esté completamente extendida. Suelte la cuerda de arranque lentamente. Si no se siguen estas instrucciones, se puede dañar el motor.

Para arrancar el motor en caliente

1. Presione la perilla de la bomba de combustible 10 veces.
2. Tire de la cuerda de arranque hasta que el motor arranque.

Para arrancar el motor cuando el combustible está demasiado caliente

Si el producto no arranca, puede que el combustible esté muy caliente.

Nota: Utilice siempre combustible nuevo y reduzca el tiempo de funcionamiento cuando haga demasiado calor.

1. Coloque el producto en un área fresca alejada de la luz solar directa.
2. Deje que el producto se enfríe durante 20 minutos como mínimo.
3. Presione la perilla de la bomba de combustible una y otra vez durante 10 y 15 segundos.
4. Siga el procedimiento para arrancar un motor frío. Consulte la sección *Para arrancar el motor en frío en la página 121*.

Para detener

- Presione el botón de parada para detener el motor. (Fig. 21)

Nota: El interruptor de parada regresa automáticamente a su posición inicial.

Para manejar la recortadora de césped



PRECAUCIÓN: Asegúrese de que reduce la velocidad del motor al ralentí después de cada operación. Un largo periodo a aceleración máxima sin carga en el motor puede provocar daños en el motor.

Nota: Limpie la cubierta del cabezal de corte cuando fije un nuevo hilo de corte a la recortadora para evitar vibraciones. Examine las demás piezas del cabezal de corte y límpielas si es necesario.

Para recortar la hierba

1. Mantenga el cabezal de corte inclinado justo por encima del suelo. No empuje el hilo de corte contra la hierba. (Fig. 38)
2. Reduzca la longitud del hilo de corte en 10-12 cm / 4-4,75 pulg.
3. Reduzca el régimen del motor para disminuir el riesgo de daños a las plantas.
4. Utilice un 80 % de aceleración para cortar hierba cerca de objetos. (Fig. 39)

Para cortar la hierba

1. Asegúrese de que el hilo de corte esté paralelo al suelo cuando corte el césped. (Fig. 40)
2. No empuje el cabezal de corte contra el suelo. Esto puede provocar daños en el producto.
3. Mueva el producto de un lado a otro cuando corte hierba. Acelere al máximo. (Fig. 41)

Para desbrozar hierba con una hoja para hierba

1. Las hojas y cuchillas para hierba no deben utilizarse para tallos leñosos.
2. Para todo tipo de hierba alta o gruesa se utiliza la hoja para hierba.
3. Corte la hierba con un movimiento de barrido pendular, dónde el movimiento de derecha a izquierda es el de desbroce y el de izquierda a

derecha, el de retorno. Haga trabajar a la parte izquierda de la hoja (entre las 8 y las 12 del reloj).

4. Si al desbrozar la hierba la hoja es inclinada un poco hacia la izquierda, la hierba se acumula en una hilera que es más fácil de juntar posteriormente, por ejemplo al rastrillar.
5. Trate de trabajar siguiendo un ritmo. Párese firmemente con las piernas abiertas. Avance después del movimiento de retorno y párese nuevamente con firmeza.
6. Deje que la cazoleta de apoyo toque ligeramente el suelo. Su función es evitar que la hoja corte en el suelo.
7. Para reducir el riesgo de que se enrolle material alrededor de la hoja, trabaje siempre a la aceleración máxima y evite el material cortado previamente durante el movimiento de retorno.
8. Pare el motor, afloje el arnés y apoye la máquina en el suelo antes de recoger la vegetación cortada.

Cabezal de recortadora de césped

- Asegúrese de que enrolla el hilo de corte de la recortadora de césped firme y uniformemente alrededor del tambor para reducir la vibración.
- Utilice únicamente los cabezales de recortadora de césped y los hilos de corte de recortadora de césped autorizados. Consulte *Accesorios en la página 127*.
- Utilice la longitud correcta de hilo de corte de la recortadora. El hilo de corte de recortadora de césped utiliza más potencia de motor cuanto más largo es.
- Asegúrese de que la cortadora de la protección del accesorio de corte no esté dañada.
- Ponga en agua el hilo de corte de la recortadora de césped durante 2 días antes de fijarlo al producto. Esto aumenta la vida útil del hilo de corte de la recortadora de césped.

Para sustituir el hilo de corte

- (Fig. 42)
- (Fig. 43)
- (Fig. 44)
- (Fig. 45)
- (Fig. 46)
- (Fig. 47)
- (Fig. 48)
- (Fig. 49)

Mantenimiento

Introducción



ADVERTENCIA: Antes de realizar cualquier trabajo de mantenimiento, debe leer y entender el capítulo sobre seguridad.

Para todos los trabajos de mantenimiento y reparación del producto, es necesario realizar una formación especial. Nosotros garantizamos que los trabajos de mantenimiento y reparación sean realizados por profesionales. Si su distribuidor no es un taller de servicio, pídale información sobre el taller de servicio más cercano.

Programa de mantenimiento

Mantenimiento semanal

- Limpie las superficies externas.
- Asegúrese de que el equipo de corte no se mueve a ralentí. Consulte la sección *Para ajustar el régimen de ralentí en la página 123*.
- Examine el nivel de grasa del engranaje angulado. Consulte la sección *Para engrasar el engranaje angulado en la página 124*.
- Examine la contratuerca. Consulte la sección *Inspección de la contratuerca en la página 124*.

Mantenimiento mensual

- Asegúrese de que la cuerda de arranque y su empuñadura no presenten daños.

Mantenimiento anual

- Examine la bujía. Consulte la sección *Para examinar la bujía en la página 123*.
- Limpie las superficies externas del carburador y las zonas adyacentes.
- Limpie el sistema de refrigeración.
- Examine el apagachispas. Consulte la sección *Para realizar el mantenimiento del apagachispas en la página 123*.
- Examine el filtro de combustible.
- Asegúrese de que la manguera de combustible no esté dañada.
- Asegúrese de que los cables y las conexiones del producto no estén dañadas.

Para ajustar el régimen de ralentí

- Asegúrese de que el filtro de aire está limpio y la cubierta del filtro de aire está conectada antes de ajustar el régimen de ralentí.
 - Ajuste el régimen de ralentí con el tornillo de ralentí T marcado con una "T".
 - El régimen de ralentí es correcto cuando el motor funciona con suavidad en todas las posiciones. El régimen de ralentí debe ser inferior a la velocidad cuando el equipo de corte comienza a girar.
1. Gire el ajuste del régimen de ralentí hacia la derecha hasta que el equipo de corte comience a girar. (Fig. 50)
 2. Gire el tornillo de ajuste de ralentí hacia la izquierda hasta que el equipo de corte se detenga.

Para realizar el mantenimiento del apagachispas

Utilice un cepillo de alambre para limpiar el apagachispas. (Fig. 51)

Para limpiar el sistema de refrigeración

Limpie las piezas del sistema de refrigeración con un cepillo.

(Fig. 52)

Para examinar la bujía



PRECAUCIÓN: Utilice la bujía recomendada. Asegúrese de que el recambio es el mismo que la pieza suministrada por el fabricante. Una bujía incorrecta puede provocar daños en el producto.

1. Examine la bujía cuando:
 - a) El motor tiene poca potencia.
 - b) El motor no arranca fácilmente.
 - c) El motor no funciona correctamente al régimen de ralentí.
2. Si el motor no resulta fácil de arrancar o funcionar, examine la bujía en busca de materiales no deseados. Para reducir el riesgo de material no deseado en los electrodos de la bujía:
 - a) Asegúrese de que el régimen de ralentí esté bien ajustado.
 - b) Asegúrese de que la mezcla de combustible sea correcta.
 - c) Asegúrese de que el filtro de aire esté limpio.
3. Limpie la bujía si está sucia. Examine la separación entre los electrodos para ver que es la correcta. (Fig. 53)
4. Sustituya la bujía cuando sea necesario.

Para realizar el mantenimiento del filtro de aire

Para limpiar el filtro de aire

1. Saque la cubierta del filtro de aire y extraiga el filtro de aire. (Fig. 54)
2. Limpie el filtro de aire con agua jabonosa tibia. Asegúrese de que el filtro de aire esté seco antes de instalarlo.
3. Sustituya el filtro de aire si está demasiado sucio para poder limpiarlo completamente. Sustituya siempre el filtro de aire si se avería.
4. Si su producto tiene un filtro de aire de espuma, aplique aceite para filtro de aire. Solo aplique aceite para filtro de aire a los filtros de espuma. No aplique aceite a un filtro de fieltro.

Para aplicar aceite para filtro de aire al filtro de aire



PRECAUCIÓN: Utilice siempre aceite especial para filtro de aire en los filtros de aire de espuma. No utilice otros tipos de aceite.



ADVERTENCIA: Evite todo contacto con el aceite.

1. Saque la cubierta del filtro de aire y extraiga el filtro de aire. (Fig. 55)
2. Coloque el filtro de aire en una bolsa de plástico.
3. Coloque el filtro de aire en la bolsa de plástico. (Fig. 56)
4. Presione la bolsa de plástico para asegurarse de que el aceite se distribuye uniformemente por el filtro de aire.
5. Sin sacarlo de la bolsa, presione el filtro de aire a fin de extraer el exceso de aceite para filtro de aire. Extraiga el filtro de aire de la bolsa.
6. Instale el filtro de aire.

Para engrasar el engranaje angulado

Asegúrese de que 3/4 del engranaje estén llenas de grasa para engranaje angular.

(Fig. 57)

Inspección de la contratuerca



PRECAUCIÓN: Sustituya la contratuerca después de utilizarla 10 veces.

1. Gire la contratuerca hacia la izquierda para apretarla. Gire la contratuerca hacia la derecha para extraerla. (Fig. 58)
2. Asegúrese de que no puede girar el forro de nilón de la contratuerca con las manos. El forro de nilón debe proporcionar una resistencia mínima de 1,5 Nm/1,1 lb-pie.
3. Si la resistencia está por debajo del mínimo, apriete la contratuerca a 35-50 Nm/26-36 lb-pie.



PRECAUCIÓN: Si aprieta la contratuerca demasiado, puede causar daños en las roscas.

Afilar la cuchilla para hierba y la hoja para hierba



ADVERTENCIA: Pare el motor. Utilice guantes protectores.

- Para afilar correctamente la cuchilla para hierba o la hoja para hierba, consulte las instrucciones que se incluyen con el equipo de corte.
- Afile todos los bordes por igual para mantener el equilibrio.
- Utilice una lima plana con dentado recto. (Fig. 59)



ADVERTENCIA: Si una hoja está dañada, deje de usarla. No intente enderezar una hoja doblada o torcida para volver a usarla.

Resolución de problemas

El motor no arranca

Comprobar	Causa posible	Procedimiento
Interruptor de parada.	El interruptor de parada se encuentra en la posición de parada.	Coloque el mando de detención en posición de arranque.
Ganchos de arranque.	Los ganchos de arranque no pueden moverse libremente.	Retire la cubierta del mecanismo de arranque y limpie alrededor de los ganchos de arranque. Deje que un taller de servicio homologado le ayude.
Depósito de combustible.	Tipo de combustible incorrecto.	Vacíe el depósito de combustible y llénelo con el combustible adecuado.

Comprobar	Causa posible	Procedimiento
Bujía.	La bujía está sucia o mojada.	Asegúrese de que la bujía de encendido está seca y limpia.
	La distancia entre los electrodos de la bujía es incorrecta.	Limpie la bujía. Compruebe que la distancia entre los electrodos sea correcta. Asegúrese de que la bujía está equipada con supresor.
	La bujía está suelta.	Consulte los Datos técnicos para Distancia entre los electrodos correcta. Apriete la bujía.

El motor arranca pero se para de nuevo

Comprobar	Causa posible	Procedimiento
Depósito de combustible	Tipo de combustible incorrecto.	Vacíe el depósito de combustible y llénelo con el combustible adecuado.
Filtro de aire	El filtro de aire está obstruido.	Limpie el filtro de aire.

Transporte, almacenamiento y eliminación

Transporte y almacenamiento

- Deje que el producto se enfríe antes de transportarlo o guardarlo.
- Retire el sombrerete de bujía si va a almacenar el producto durante un tiempo prolongado.
- Fije el producto durante el transporte. Asegúrese de que no pueda moverse.
- Asegúrese de que no hay riesgo de fugas de combustible, vapores de combustible, chispas o llamas durante el transporte y el almacenamiento.
- Fije la protección para transporte cuando vaya a guardar o a transportar el producto.
- Limpie el producto y efectúe las labores de servicio antes de almacenarlo durante un tiempo prolongado.

Datos técnicos

Datos técnicos

	325R A05328CBHV
Motor	
Cilindrada, cm ³	27,6
Régimen de ralentí, rpm	2800 - 3200
Régimen máximo, r.p.m.	8000
Potencia/salida máxima del motor según ISO 8893, kW/CV a rpm	0,9/1,2 a 8000
Silenciador con catalizador	Sí

	325R A05328CBHV
Velocidad en el eje de salida, rpm	7200
Sistema de encendido	
Bujía	Husqvarna HQT-4
Distancia entre electrodos, mm	0,5
Sistema de combustible	
Capacidad del depósito de combustible, l/cm ³	0,343 /343
Dimensiones del producto	
Peso, kg	5,5
Emisiones de ruido ²²	
Nivel de potencia acústica medida con una hoja para hierba, dB (A)	108
Nivel de potencia acústica medida con un cabezal de corte, dB (A)	110
Nivel de potencia acústica garantizada (L _{WA}) con una hoja para hierba, dB(A)	112
Nivel de potencia acústica garantizada (L _{WA}) con un cabezal de corte, dB(A)	114
Niveles acústicos ²³	
Nivel de presión acústica en el oído del operador con una hoja para hierba, dB (A)	96
Nivel de presión acústica en el oído del operador con un cabezal de corte, dB (A)	95
Niveles de vibraciones ²⁴	
Nivel de vibraciones equivalente (ahv, eq) con una hoja para hierba y manillar a la izquierda, m/s ²	5,1
Nivel de vibraciones equivalente (ahv, eq) con una hoja para hierba y manillar a la derecha, m/s ²	5,7
Nivel de vibraciones equivalente (ahv, eq) con cabezal de corte y manillar a la izquierda, m/s ²	4,1
Nivel de vibraciones equivalente (ahv, eq) con cabezal de corte y manillar a la derecha, m/s ²	4,9

²² Emisiones sonoras en el entorno medidas como potencia acústica (L_{WA}) según la directiva 2000/14/CE. El nivel referido de potencia acústica del producto se ha medido con el equipo de corte original que produce el nivel más elevado. La diferencia entre la potencia acústica garantizada y medida es que la potencia acústica garantizada también incluye la dispersión en el resultado de la medición y las variaciones entre diferentes productos del mismo modelo, según la directiva 2000/14/CE.

²³ Los datos de nivel de presión sonora equivalente del producto que se han recogido tienen una dispersión estadística típica (desviación estándar) de 1 dB(A).

²⁴ Los datos referidos al nivel de vibración tienen una dispersión estadística habitual (desviación estándar) de 1 m/s².

Accesorios

Accesorios

Accesorios homologados	Tipo	Protección del equipo de corte
Eje roscado	M10L	
Cabezal de corte	T35, 2,4 mm	588 11 79-01
Hoja de hierba	Hierba 255-4 Ø 250	588 11 79-01

Declaración CE de conformidad

Contenido de la declaración de conformidad CE

Nosotros, Husqvarna AB, SE 561 82 Huskvarna, SUECIA, declaramos bajo nuestra exclusiva responsabilidad que el producto representado:

Descripción	Recortadora de césped/ desbrozadora de gasolina
Marca	Husqvarna
Plataforma/tipo/modelo	Plataforma A05328CBHV, que representa el modelo 325R.
Lote	Número de serie a partir del año 2018 y en adelante.

Cumple las siguientes directivas y normas de la UE:

Directiva/Norma	Descripción
2006/42/CE	"relativa a las máquinas"
2014/30/UE	"relativa a la compatibilidad electromagnética"
2000/14/CE	"relativa al ruido en exteriores"
2011/65/UE	"restricciones a la utilización de determinadas sustancias peligrosas"

Las normas armonizadas o especificaciones técnicas aplicadas son las siguientes: EN ISO 12100, EN ISO 11806-1, CISPR 12, ISO 14982, EN 50581:2012.

De acuerdo con la directiva 2000/14/CE, Anexo V, los valores de sonido declarados se indican en el capítulo Datos técnicos de este manual y en la declaración de conformidad CE firmada.

TÜV Rheinland N.A. ha efectuado un examen voluntario para Husqvarna AB, que proporciona el certificado de conformidad con la directiva del Consejo Europeo 2006/42/CE referente a máquinas.

El certificado, como se indica en la declaración de conformidad CE firmada, es aplicable a todas las plantas de fabricación y países de origen, tal y como se indica en el producto.

La recortadora de césped / desbrozadora de gasolina suministrada concuerda con el ejemplar sometido a examen.

Sisukord

Sissejuhatus.....	129	Veotsing.....	139
Ohutus.....	130	Transportimine, hoiulepanek ja utiliseerimine.....	139
Kokkupanek.....	134	Tehnilised andmed.....	140
Töö.....	135	Lisatarvikud.....	141
Hooldamine.....	137	EÜ vastavusdeklaratsioon.....	142

Sissejuhatus

Kasutusjuhend

Selle kasutusjuhendi originaal on koostatud inglise keeles. Teistes keeltes kasutusjuhendid on tõlgitud inglise keelest.

Kasutusotstarve

Eri tüüpi taimestiku lõikamiseks kasutage toodet koos rohtu- või trimmeripeaga.

Toote tutvustus

(Joon. 1)

1. Trimmeripea
2. Määrdeaine täitekork
3. Nurkreduktor
4. Lõikepea kaitse
5. Vars
6. Seiskamislüliti
7. Gaasihoovastiku nupp
8. Gaasihoovastiku nupu lukk
9. Juhtraud
10. Rakmeklamber
11. Starteri korpus
12. Süüteküünlakate, süüteküünal
13. Käivitusnööri käepide
14. Kütusepaak
15. Õhufiltri kaas
16. Kütusepump
17. Õhuklapp
18. Juhtraua reguleerimine
19. Gaasitross
20. Kiire tühikäigu nupp
21. Rakmed
22. Lehtsilmsvõti
23. Kasutusjuhend
24. Transportkaitse
25. Lõiketera
26. Tugikuppel
27. Tugiäärrik
28. Lukustusmutter

Märkus: Riiklikud õigusaktid võivad selle toote kasutamist piirata.

29. Vedamisketas
30. Splint
31. Kuuskantvõti

Sümbolid tootel

- (Joon. 2) HOIATUS! See toode on ohtlik. Hooletu või väär käsitlemine võib põhjustada kehavigastusi või surma kasutajale või juuresolijatele. Kasutaja ja juuresolijate vigastuste vältimiseks lugege läbi kõik kasutusjuhendis leiduvad ohutusjuhised ja järgige neid.
- (Joon. 3) Enne seadme kasutamist lugege kasutusjuhend põhjalikult läbi, et kõik juhised oleksid täiesti arusaadavad.
- (Joon. 4) Kohtades, kus teile võib peale kukkuda esemeid, kasutage kaitsekiivrit. Kandke heakskiidetud kõrvaklappe. Kandke heakskiidetud kaitseprille.
- (Joon. 5) Kandke heakskiidetud kaitsekindaid.
- (Joon. 6) Kandke vastupidavaid libisemiskindlaid jalanõusid.
- (Joon. 7) Noolded tähistavad käepideme piirsideid.
- (Joon. 8) Seade võib esemeid õhku paisata ja see võib põhjustada vigastuse.
- (Joon. 9) Väljuva võlli suurim kiirus.

- (Joon. 10) Hoidke seadme kasutamise ajal inimestest ja loomadest vähemalt 15 m kaugusele.
- (Joon. 11) Tagasilöögi oht juhul, kui löikeosa puudutab objekti, mida see kohe läbi ei löika. Seade võib löigata küljest kehaosi. Hoidke seadme kasutamise ajal inimestest ja loomadest vähemalt 15 m kaugusele.
- (Joon. 12) Kütusepump.
- (Joon. 13) Õhuklapp.
- (Joon. 14) Hoidke kõik kehaosad kuumadest pindadest eemal.
- (Joon. 15) Ümbritsevasse keskkonda leviv müra vastavalt Euroopa Ühenduse direktiivile. Seadme müratase on näidatud tehniliste andmete peatükis ja sildil.
- (Joon. 16) See seade vastab kehtivatele EÜ direktiividele.
- (Joon. 17) See seade vastab kehtivatele EAC direktiividele.

Andmesil-
diit leiata
seerianum-
bri. **aaaa**
on tootmi-
saasta, **nn**
on tootmis-
nädal ja
xxxxx on
seerianum-
ber.

aaaannxxxxx

Märkus: Seadmel toodud ülejäänud sümbolid/tähised vastavad muude kommertsvaldkondade sertifitseerimisnõuetele.

Tootevastutus

Tootevastutusseaduste alusel ei vastuta me tootest tingitud kahjustuste eest, kui:

- toodet on valesti parandatud;
- toote parandamisel on kasutatud osi, mis ei ole tootja poolt valmistatud või heaks kiidetud;
- tootel on kasutatud tarvikut, mis ei ole tootja poolt valmistatud või heaks kiidetud;
- toodet ei ole parandatud volitatud hoolduskeskuses või volitatud isiku poolt.

EL V



HOIATUS: Mootori igasugune modifitseerimine, muutmine või rikkumine tühistab toote EL-i tüübikinnituse.

Ohutus

Ohutuse määratlused

Mõistetega „hoiatus“, „ettevaatus“ ja „märkus“ juhitakse tähelepanu eriti olulistele kohtadele kasutusjuhendis.



HOIATUS: Tähistab kasutusjuhendi juhiste eiramise korral kasutaja või kõrvalseisjate kehavigastuse või surmaga lõppeva õnnetuse ohtu.



ETTEVAATUST: Tähistab kasutusjuhendi juhiste eiramise korral seadme, muude esemete või läheduses asuvate objektide kahjustamise ohtu.

Märkus: Tähistab antud olukorras vajalikku lisateavet.

Vibratsiooniohutus

See toode on ette nähtud üksnes aeg-ajalt kasutamiseks. Toote pidev või regulaarne kasutamine võib põhjustada nn valgete sõrmede sündroomi või muid

sarnaseid vibratsioonist tingitud meditsiinilisi probleeme. Kui kasutate toodet pidevalt või regulaarselt, kontrollige aeg-ajalt oma käte ja sõrmede seisundit. Kui teie kätel või sõrmedel muutub värv, tunnete valu või surinat või käed või sõrmed muutuvad tuimaks, lõpetage töötamine ja pöörduge kohe arsti poole.

Üldised ohutuseeskirjad



HOIATUS: Enne seadme kasutamist lugege läbi järgnevad hoiatused.

- Kasutage toodet õigesti. Valesti kasutamine tagajärjeks võib olla kehavigastus või surm. Kasutage toodet ainult käesolevas kasutusjuhendis kirjeldatud tööde tegemiseks. Ärge kasutage toodet muude tööde tegemiseks.
- Järgige käesolevas kasutusjuhendis toodud juhiseid. Järgige hoiatussümboleid ja ohutuseeskirju. Kui operaator ei järgi juhiseid, eeskirju ja sümboleid, võib selle tagajärjeks olla kahjustus, kehavigastus või surm.

- Hoidke see kasutusjuhend alles. Tarvitage kasutusjuhendit toote kokkupanemisel, kasutamisel ja heas töökorras hoidmisel. Tarvitage kasutusjuhendit tarvikute ja lisavarustuse õigeks paigaldamiseks. Kasutage ainult heakskiidetud tarvikuid ja lisavarustust.
- Ärge kasutage kahjustatud toodet. Järgige hooldusskeemi. Tehke ainult neid hooldustöid, mille juhised on toodud selles kasutusjuhendis. Kõik ülejäänud hooldustööd peab tegema volitatud hoolduskeskus.
- Selles kasutusjuhendis ei saa kirjeldada kõiki olukordi, mis võivad toote kasutamise käigus ette tulla. Olge ettevaatlik ja kasutage tervet mõistust. Ärge kasutage toodet ega tehke hooldustöid, kui te pole antud olukorras kindel. Vestelge lisateabe saamiseks toote asjatundja, edasimüüja, hooldustöökoja või volitatud hoolduskeskuse esindajaga.
- Enne toote kokkupanemist, hoiule asetamist või hooldustööde tegemist lahutage süüteküünla juhe.
- Ärge kasutage toodet, kui selle algeid tehnilisi näitajaid on muudetud. Ärge muutke toote ühtegi osa ilma tootja heakskiiduta. Kasutage ainult tootja heakskiidetud osi. Vale hooldamise tagajärjeks võib olla kehavigastus või surm.
- Ärge hingake sisse mootori heitgaase. Mootori heitgaaside pikaajaline sissehingamine on tervisele ohtlik.
- Ärge käivitage toodet siseruumis ega tuleohtlike materjalide lähedal. Heitgaasid on tulised ja võivad sisaldada sädemeid, mis võivad põhjustada tulekahju. Ebapiisav õhuvahetus võib põhjustada lämbumisest või vingugaasimürgistusest tingitud kehavigastuse või surma.
- Tootet mootor tekitab kasutamise ajal elektromagnetvälja. Elektromagnetväli võib kahjustada meditsiinilisi implantaate. Enne toote kasutamist pidage nõu oma arsti ja implantaadi valmistajaga.
- Ärge lubage lastel toodet käsitseda. Ärge lubage kasutusjuhistega mitte tutvunud isikul toodet käsitseda.
- Kui toodet kasutab piiratud füüsiliste või vaimsete võimeteга isik, peab ta olema kogu aeg järelevalve all. Vastustusvõimeline täiskasvanu peab kogu aeg kasutaja juures viibima.
- Kasutusel mitte olev toode lukustage kohta, kus lapsed ja volitamata isikud selle juurde ei pääse.
- Toode võib esemeid õhku paisata ja põhjustada kehavigastusi. Vigastus- ja surmaohu vähendamiseks järgige ohutuseeskirju.
- Ärge lahkuge töötava mootoriga toote juurest.
- Õnnetusjuhtumite eest toote kasutamisel vastutab toote operaator.
- Enne toote kasutamist veenduge, et kõik osad oleksid terved.
- Enne toote kasutamise alustamist veenduge, et teised inimesed ja loomad asuksid teist vähemalt 15

m (50 jala) kaugusel. Veenduge, et läheduses viibivad inimesed oleksid toote kasutamisest teadlikud.

- Tutvuge riiklike või kohalike eeskirjadega. Need võivad toote kasutamist teatud asjaoludel piirata või selle keelata.
- Ärge kasutage seadet, kui olete väsinud või tarvitanud alkoholi, narkootikume või ravimeid. See võib mõjutada teie nägemist, tähelepanelikkust, koordineerimist või hinnangut.

Ohutusjuhised kokkupanekul



HOIATUS: Enne seadme kasutamist lugege läbi järgnevad hoiatused.

- Enne seadme kokkupanemist eemaldage süüteküünala kate süüteküünla küljest.
- Kandke heakskiidetud kaitsekindaid.
- Enne mootori käivitamist veenduge, et kinnitasite katte ja völli õigesti.
- Veoketas ja tugiäärrik peavad sobituma õigesti löikeosa keskvasse. Valesti kinnitatud löikeosa võib põhjustada kasutaja või kõrvaliste isikute tõsise kehavigastuse või surma.
- Selleks, et seadet ohutult kasutada ja vältida kasutaja ja teiste inimeste vigastusi, peab seade alati olema õigesti rakmete külge kinnitatud.

Ohutusjuhised kasutamisel



HOIATUS: Enne seadme kasutamist lugege läbi järgnevad hoiatused.

- Enne toote kasutamist veenduge, et see oleks täielikult kokku pandud.
- Enne käivitamist viige toode 3 m (10 jala) kaugusele kohast, kus toimus kütusepaagi täitmine. Asetage toode tasasele pinnale. Veenduge, et löikeosa ei puutuks vastu maad või muid esemeid.
- Toode võib esemeid õhku paisata ja see võib kahjustada silmi. Toote kasutamisel kandke alati heakskiidetud kaitseprille.
- Olge tähelepanelik, sest näiteks laps võib toote kasutamise ajal ootamatult teie lähedale tulla.
- Ärge kasutage toodet, kui tööpiirkonnas on inimesi. Peatage toode, kui tööpiirkonda siseneb inimene.
- Veenduge, et toode oleks alati teie kontrolli all.
- Ärge kasutage toodet, kui te ei saa võimaliku õnnetusjuhtumi korral kedagi appi kutsuda. Enne toote kasutamise alustamist veenduge alati, et teised oleksid toote kasutamisest teadlikud.
- Ärge pöörake end koos tootega enne, kui olete veendunud, et ohualas ei viibiks ühtegi inimest ega looma.
- Enne töö alustamist eemaldage tööpiirkonnast kõik sobimatud esemed. Kui löikeosa pörkab vastu eset,

võib ese õhku paiskuda ja põhjustada kehavigastuse või surma. Sobimatused esemed võivad löikeosa külge takerduda ja põhjustada kahjustusi.

- Ärge kasutage toodet halva ilmaga (udu, vihm, tugev tuul, äikeseoht vms ilmaolud). Halva ilmaga võivad tekkida ohtlikud tingimused (näiteks libedad pinnad).
- Veenduge et saaksite liikuda vabalt ja töötada stabiilses asendis.

(Joon. 18)

- Kindlustage, et te ei saaks toote kasutamise ajal kukkuda. Ärge kallutage toote kasutamise ajal.
- Hoidke toodet alati kahe käega. Hoidke toodet endast paremal.

(Joon. 19)

- Toote kasutamise ajal peab löikeosa asuma vöökohast allpool.
- Kui õhuklapp on mootori käivitamisel õhuklapi asendis, hakkab löikeosa pöörlema.
- Pärast mootori seiskumist ärge puudutage nurkreduktorit. Nurkreduktor on pärast mootori seiskumist tuline. Tulised pinnad võivad põhjustada kehavigastusi.
- Enne toote liigutamist seisake mootor.
- Ärge asetage töötava mootoriga toodet maha.
- Enne toote külge jäänud kõrvaliste esemete eemaldamist seisake mootor ja oodake, kuni löikeosa on peatunud. Enne kui teie ise või abiline asub kõrvalisi esemeid eemaldama, laske löikeosal täielikult peatuda.

Isikukaitsevahendid



HOIATUS: Enne seadme kasutamist lugege läbi järgnevad hoiatused.

- Toote kasutamise ajal kandke alati kohast isiklikku kaitsevarustust. Isiklik kaitsevarustus ei kõrvalda täielikult kehavigastuste ohtu. Isiklik kaitsevarustus vähendab õnnetuse korral kehavigastuse raskusastet.
- Toote kasutamisel kandke alati heakskiidetud kaitseprille.
- Ärge käsitage toodet paljajalu või lahtiste jalatsitega. Kandke alati vastupidavaid libisemiskindlaid jalanõusid.
- Kandke tugevaid pikki pükse.
- Vajaduse korral kandke heakskiidetud kaitsekindaid.
- Kui valitseb kõrgel asuvate esemete allakukkumise oht, kandke kiivrit.
- Toote kasutamisel kandke alati heakskiidetud kõrvaklappe. Pikaajaline mürakeskkonnas viibimine võib põhjustada müra- ja kuulmiskadu.
- Veenduge, et läheduses asuks esmaabikomplekt.

Toote ohutusseadised



HOIATUS: Enne seadme kasutamist lugege läbi järgnevad hoiatused.

- Ärge kunagi kasutage seadet, kui selle ohutusseadised on defektsed.
- Kontrollige ohutusseadiseid regulaarselt. Vt jaotist *Toote tutvustus lk 129*.
- Kui ohutusseadised on defektsed, pöörduge Husqvarna hooldusesindusse.

Gaasihoovastiku nupu lukk

Gaasihoovastiku nupu lukk lukustab gaasihoovastiku nupu.

(Joon. 20)

Gaasihoovastiku nupu (B) vabastamiseks vajutage gaasihoovastiku nupu lukku (A). Kui lasete käepidemest lahti, naasevad gaasihoovastiku nupu lukk ja gaasihoovastiku nupp tagasi algasendisse.

1. Gaasihoovastiku nupu luku (A) vabastamisel veenduge, et gaasihoovastiku nupp (B) oleks lukustatud tühikäigule.
2. Vajutage gaasihoovastiku nupu lukku (A) ja veenduge, et vabastamisel liiguks see tagasi algasendisse.
3. Vajutage gaasihoovastiku nuppu (A) ja veenduge, et vabastamisel liiguks see tagasi algasendisse.

Käivitage mootor ja rakendage täisgaas. Vabastage gaasihoovastiku nupp ja kontrollige, kas löikeosa peatub. Kui gaasihoovastiku tühikäigu asendis olemise ajal löikeosa pöörleb, kontrollige karburaatori tühikäigu reguleerimiskruvi.

Seiskamislüliti

Käivitage mootor. Veenduge, et seiskamislüliti seadmisel seiskamisasendisse mootor seiskuks.

(Joon. 21)

Löikeosa kaitse

Löikeosa kaitse takistab lahtiste esemete paiskumist seadmekasutaja suunas.

(Joon. 22)

Kontrollige, kas löikeosa kaitse on terve; kahjustuse korral asendage löikeosa. Kasutage löikeosal üksnes heakskiidetud kaitset.

Summuti

- Ärge kasutage mootorit, kui summuti on kahjustatud. Kahjustatud summuti tõstab mürataset ja suurendab tulekahju ohtu. Hoidke tulekustuti käepärast.
- Kontrollige regulaarselt, kas summuti on toote küljes alles.
- Ärge puudutage mootorit ega summutit, kui mootor on tuline. Ärge puudutage mootorit ega summutit

mõnda aega pärast mootori seiskamist. Tulised pinnad võivad põhjustada kehavigastusi.

- Tuline summuti võib põhjustada tulekahju. Olge väga ettevaatlik, kui kasutate toodet tuleohtlike vedelike või aurude läheduses.
- Kui summuti on kahjustatud, ärge puudutage summuti osi. Osad võivad sisaldada kantseroogeneid aineid.

Lukustusmutter

Lukustusmutrit kasutatakse teatud tüüpi lõikeosade lukustamiseks.

(Joon. 23)

Lukustusmutri paigaldamisel pingutage seda lõikeosa töösuunale vastupidises suunas.

Rakmevabasti



HOIATUS: Kui rakmevabasti on vigane, siis ärge rakmeid kasutage. Toote reguleerimisel kontrollige kindlasti, kas rakmevabasti töötab korralikult.

Rakmevabasti Rakmerihmad peavad alati õiges asendis olema.

(Joon. 24)

Hädaolukorras võimaldab rakmevabasti toote ohutult vabastada.

Lõikeosa



HOIATUS: Enne seadme kasutamist lugege läbi järgnevad hoiatused.

- Tehke regulaarselt hooldustöid. Laske lõikeosa volitatud hoolduskeskuses regulaarselt läbi vaadata ja teha vajalikud reguleerimis- või parandustööd.
 - Lõikeosa jõudlus suureneb.
 - Lõikeosa kasutusiga pikeneb.
 - Õnnetuste oht väheneb.
- Kasutage üksnes heakskiidetud lõikeosa kaitset. Lisateavet leiate jaotisest *Lisatarvikud lk 141*.
- Ärge kasutage kahjustatud lõikeosa.

Rohuterad ja roholõikurid

- Kasutage toodet heakskiidetud roheteraga. Ärge kasutage rohetera enne, kui kõik vajalikud osad on õigesti paigaldatud. Veenduge et kõik vajalikud osad oleksid õigesti paigaldatud. Vale paigaldamise korral võib tera õhku paiskuda ning seadmekasutajat ja kõrvalseisjaid tõsiselt vigastada.
- Kandke tera käsitsemisel ja hooldamisel kaitsekindaid.
- Rohuteraga toote kasutamisel kandke kiivrit.
- Rohuterad ja roholõikurid on ette nähtud jämeda rohu lõikamiseks.

- Kuna rohetera pöörleb pärast mootori seiskumist ja gaasihoovastiku nupu vabastamist edasi, võib see vigastusi põhjustada. Enne hooldustööde tegemist veenduge, et rohetera oleks täielikult peatunud.
- Enne kui hakkate lõikeosa kallal töötama, lülitage mootor välja. Veenduge et lõikeosa oleks täielikult peatunud. Ühendage süütejühe süüteküünla küljest lahti.
- Kasutage ainult heakskiidetud lõikeosa või õigesti teritatud tera.
- Jälgige, et lõiketera hambad oleksid teritatud. (Joon. 25)
- Ärge kasutage kahjustatud lõikeosa.
- Toote transportimisel ja hoiustamisel kinnitage roheterale transportkaitse.

Tagasilöökk

- Tagasilöökk on toote järsk liikumine kül-, edasi- või tagasisuunas. Tagasilöökk ilmneb siis, kui rohu- või saetera puutub vastu eset, mida ei saa lõigata. Tagasilöögioht on suurem aladel, kus lõigatavast materjalist pole head ülevaadet.
- Tagasilöögi korral tekib võib toote või seadmekasutaja asend muutuda. Tekib oht, et liikuv tera puutub vastu kõrvalseisjaid ja keegi saab vigastada.
- Paindunud, möranenud, katkised ja kahjustunud terad visake ära.
- Kasutage vahedaid terasid. Kui tera on nüri, on tagasilöögioht suurem.

Ohutusnõuded kütuse käsitsemisel



HOIATUS: Enne seadme kasutamist lugege läbi järgnevad hoiatused.

- Ärge segage kütust siseruumides ega kuumusallika lähedal.
- Ärge käivitage toodet, kui toote pinnale on sattunud kütust või mootoriõli. Eemaldage kütus/õli toote pinnalt ja laske tootel kuivada. Eemaldage kütus toote pinnalt.
- Kui kütus satub rõivastele, siis vahetage kohe riideid.
- Vältige kütuse sattumist nahale, see võib põhjustada kehavigastusi. Kui kütus satub nahale, puhastage piirkond seebi ja veega.
- Ärge käivitage mootorit, kui kütus või õli satub toote pinnale või teie nahale.
- Ärge käivitage toodet, kui mootor lekib. Kontrollige regulaarselt mootori lekkekindlust.
- Olge kütuse käsitsemisel ettevaatlik. Kütus on tuleohtlik ja kütuse aurud on plahvatusohtlikud ning võivad põhjustada kehavigastusi või surma.
- Ärge hingake sisse kütuseaure, see võib põhjustada kehavigastuse. Tagage piisav õhuvahetus.
- Ärge suitsetage kütuse ega mootori läheduses.

- Ärge asetage kuumi esemeid kütuse ega mootori lähedusse.
- Ärge tankige kütust, kui mootor töötab.
- Enne tankimise alustamist veenduge, et mootor oleks külm.
- Enne tankimise alustamist avage aeglaselt kütusepaagi kork ja laske survel alaneda.
- Ärge tankige mootorit siseruumis. Ebapiisav õhuvahetus võib põhjustada lämbumisest või vingugaasimürgistusest tingitud kehavigastuse või surma.
- Keerake kütusepaagi kork hoolikalt kinni, et vältida tulekahju.
- Enne käivitamist viige toode vähemalt 3 m (10 jala) kaugusele kohast, kus toimus kütusepaagi täitmine.
- Ärge tankige paaki liiga palju kütust.
- Veenduge, et toote või kütusenõu liigutamisel ei tekiks lekett.
- Ärge asetage toodet või kütusenõu kohta, kus on lahtine leek, sädemed või süüteleek. Veenduge, et hoiukohas ei oleks lahtist leeki.
- Kütuse kandmiseks või hoidmiseks kasutage üksnes heakskiidetud mahuteid.
- Enne pikaajalisele hoiule jätmist tühjendage kütusepaak. Järgige kütuse kasutuselt kõrvaldamist reguleerivaid kohalikke eeskirju.

- Enne pikaajalisele hoiule jätmist puhastage toode.
- Enne toote hoiule jätmist eemaldage süüteküünlala juhe, et vältida mootori tahtmatu käivitamise võimalus.

Ohutusjuhised hooldamisel



HOIATUS: Enne seadme hooldustööde tegemist lugege läbi järgnevad hoiatused.

- Tehke üksnes käesolevas kasutusjuhendis kirjeldatud hooldustöid. Kõik muud hooldus- ja remonditööd tuleb lasta teha professionaalsetel hooldustöötajatel.
- Tehke käesolevas kasutusjuhendis kirjeldatud ohutuskontrolli toiminguid ja hooldustöid korrapäraselt. Korrapärane hooldus pikendab toote kasutusiga ja vähendab õnnetuste ohtu. Juhiseid vt *Hooldusskeem lk 137*.
- Kui pärast hooldustööde tegemist mõni käesolevas kasutusjuhendis kirjeldatud ohutuskontrolli toiming nurjub, pöörduge hooldusesindusse. Garanteerime, et hooldusesinduses tehakse teie tootele professionaalsel tasemel remondi- ja hooldustööd.

Kokkupanek

Sissejuhatus



HOIATUS: Enne seadme kokkupanemist lugege põhjalikult läbi ohutust puudutav jaotis.



HOIATUS: Enne seadme kokkupanemist eemaldage süüteküünlala juhe süüteküünlala küljest.

Juhtraua kokkupanek

1. Eemaldage gaasikäepideme taga olev kruvi. (Joon. 26)
2. Asetage gaasikäepide juhtraua paremale küljele.
3. Sobitage gaasikäepideme taga olev auk juhtraual oleva auguga.
4. Lükake kruvi aukudest läbi. Pingutage veel kord kruvi.
5. Paigaldage juhtraud varrel olevate noolte vahele. Pingutage veel kord kruvi. (Joon. 27)

Rakmeklambri paigaldamine

1. Pange rakmeklamber varrele nii, et rakmeklambri silmus jääks ülespoole. Pange rakmeklamber varrel olevatest nooltest ülespoole.
2. Asetage gaasitross alumise rakmeklambri soonde.

3. Viige rakmeklambri kruviaugud kohakuti.
4. Kinnitage kruviaukudesse kaks kruvi.
5. Pingutage kruvisid.

Lõikeosa paigaldamine

Lõikeosa kaitse paigaldamine

1. Pange lõikeosa kaitse (A) varrele. (Joon. 28)
2. Pange kronstein (B) lõikeosa kaitse peal olevasse pessa.
3. Lükake polt (C) läbi lõikeosa kaitse kronsteini augu.

Rohutera kokkupanek

1. Veenduge, et lõikeosa kaitse (A) oleks seadmega ühendatud. Vt jaotist *Lõikeosa kaitse paigaldamine lk 134*. (Joon. 29)
2. Pange auku splint (B), et völli lukustuks.
3. Asetage lõiketara (E), tugikuppel (F) ja tugiäärik (G) väljaulatavale völliile (D).
4. Veenduge, et veoketas (C) sobituks õigesti lõikeketta keskel olevasse avasse. (Joon. 30)
5. Paigaldage väljuvale völliile lukustusmutter (H). Hoidke lehtsilmsvõtme vart lõikeosa kaitse lähedal. Keerake lehtsilmsvõtit vastupäeva, et lukustusmutter kinni pingutada. Keerake lukustusmutter kinni momendiga 35–50 Nm.
6. Eemaldage splint.

Trimmeripea paigaldamine

1. Veenduge, et löikeosa kaitse (A) oleks seadmega ühendatud. Vt jaotist *Löikeosa kaitse paigaldamine lk 134*. (Joon. 31)
2. Veenduge, et veoketas (C) oleks ühendatud väljuva völliiga (D).
3. Pange auku splint (B), et völli lukustuks.
4. Paigaldage väljuvale völliile trimmeripea (E).
5. Keerake trimmeripead vastupäeva, et see väljuva völli külge kinni keerata. (Joon. 32)
6. Eemaldage splint.

Töö

Sissejuhatus



HOIATUS: Enne seadme kasutamist lugege põhjalikult läbi ohutust puudutav jaotis.

Kütus

Tootel on kahetaktiline mootor.



ETTEVAATUST: Vale kütuse kasutamine võib mootorit kahjustada. Kasutage bensiini ja kahetaktiõli segu.

Eelsegatud kütus

- Parima jõudluse saavutamiseks ja mootori tööea pikendamiseks kasutage kvaliteetset Husqvarna eelsegatud alkülaatkütust. See kütus sisaldab tavalise kütusega võrreldes vähem kahjulikke kemikaale, mis omakorda vähendab kahjulikke heitgaase. Selle kütuse korral on põlemisjääkide hulk väiksem ja see aitab hoida mootoriosad puhtamana.

Kütuse segamine

Bensiin



ETTEVAATUST: Ärge kasutage bensiini, mille oktaaniarv on alla 90 RON (87 AKI). See võib toodet kahjustada.



ETTEVAATUST: Ärge kasutage bensiini, mille etanoolisisaldus (E10) on üle 10%. See võib toodet kahjustada.

- Kasutage alati värsket pliivaba bensiini, mille oktaaniarv on vähemalt 90 RON (87 AKI) ja etanoolisisaldus (E10) alla 10%.
- Kui toode töötab sageli püsivalt kõrge mootori kiirusega, kasutage suurema oktaaniarvuga bensiini.

Kahetaktiõli

- Parimate tulemuste ja jõudluse saavutamiseks kasutage Husqvarna kahetaktiõli.
- Kui Husqvarna kahetaktiõli pole saadaval, kasutage õhkjahutusega mootoritele mõeldud kvaliteetset

kahetaktiõli. Õige õli valimiseks pöörduge hooldusesindusse.



ETTEVAATUST: Ärge kasutage vesijahutusega pãramootoritele mõeldud kahetaktiõli, mida tuntakse ka paadimootoriõlina. Ärge kasutage neljatakimootori õlisid.

Bensiini ja kahetaktiõli segamine

Bensiin, l	Kahetaktiõli, l
	2% (50:1)
5	0,10
10	0,20
15	0,30
20	0,40



ETTEVAATUST: Väikeste kütusekoguste segamisel võib väike viga segusuhet oluliselt mõjutada. Mõõtkte segatava õli kogus väga täpselt ja veenduge, et segu oleks õige.

(Joon. 33)

1. Valage puhtasse kütusenõusse pool bensiinikogusest.
2. Valage nõusse kogu vajaminev õlikogus.
3. Segage kütusesegu.
4. Lisage nõusse ülejäänud bensiinikogus.
5. Segage kütusesegu hoolikalt.



ETTEVAATUST: Ärge segage kütust korraga rohkem, kui on teie ühe kuu varu.

Kütuse tankimine

- Kasutage alati ülevoolukaitsega kütusenõu.
- Kui nõus on kütust, eemaldage ebavajalik kütus ja laske nõul kuivada.
- Veenduge, et kütusepaagi korki ümbrus oleks puhas.

- Enne kütusesegu lisamist kütusepaaki loksutage kütusenõud.

Sissetöötamine

- Esimese 10 töötunni vältel ärge rakendage pikemalt ilma koormuseta täisgaasi.

Käivitamine ja seiskamine

Mida enne alustamist kontrollida

1. Veenduge, et seadmel poleks puuduvaid, katkisi, lahtisi või kulunud osasid.
2. Veenduge, et kõik mutrid, kruvid ja poldid oleksid pingutatud.
3. Veenduge, et lõikeketas või trimmeripea oleks kahjustamata.
4. Veenduge, et lukustusmutter oleks kinni pingutatud. Vt jaotist *Lukustusmutri ülevaatus lk 138*.
5. Veenduge, et õhufilter poleks ummistunud.
6. Veenduge, et toote ohutusseadistel poleks defekte.
7. Veenduge, et tootel poleks kütuselekkedid.

Rakemete reguleerimine



HOIATUS: Toode peab olema alati õigesti rakmetega ühendatud. Ärge kasutage kahjustatud rakmeid.

1. Pange rakmed selga.
2. Ühendage seade rakmetega.
3. Reguleerige need parimasse tööasendisse.
4. Reguleerige külgrihmasid, et seadme raskus jaotuks teie õlgadele ühtlaselt. (Joon. 34)
5. Reguleerige rakmeid, kuni lõikeosa on maapinnaga paralleelselt.
6. Toetage lõikeosa kergelt maha. Reguleerige toote õigeks tasakaalustamiseks rakmeklambrit.

Märkus: Rohutera kasutamisel peab toode olema maapinnast ligikaudu 10 cm kõrgusel.

Külma mootori käivitamine

1. Vajutage kütusepumpa 10 korda. (Joon. 35)
2. Tõmmake õhuklapp üles. (Joon. 36)
3. Suruge toote korpus vasaku käega vastu maad. (Joon. 37) Ärge astuge tootele. Tõmmake aeglaselt käivitusnööri käepidet, kuni tunnete vastupanu. Siis tõmmake käivitusnööri käepidet jõuga.

Märkus: Mootorit käivitades ärge tõmmake gaasihoovastiku nuppu.

4. Tõmmake käivitusnööri käepidet, kuni mootor käivitub või püüab käivituda (mitte üle kolme tõmbe). Kui mootor käivitub või püüab käivituda, lükake õhuklapp alla. Jätkake tõmbamist, kuni mootor

käivitub. Pärast käivitumist oodake 60 sekundit ja alles siis tõmmake gaasihoovastiku nuppu.



ETTEVAATUST: Ärge tõmmake käivitusnööri enne, kui see peatub. Ärge laske täiesti välja tõmmatud käivitusnööri käest lahti. Vabastage käivitusnööri aeglaselt. Nende juhiste eiramine võib mootorit kahjustada.

Sooja mootori käivitamine

1. Vajutage kütusepumpa 10 korda.
2. Tõmmake käivitusnööri, kuni mootor käivitub.

Mootori käivitamine ülekuumenenud kütusega

Kui toode ei käivitu, võib kütus olla ülekuumenenud.

Märkus: Kasutage värsket kütust ja vähendage soojade ilmade korral tööaega.

1. Asetage toode jahedasse kohta, mis on varjatud otsese päikesevalguse eest.
2. Laske tootel vähemalt 20 minutit jahtuda.
3. Vajutage õhukolbi pumpa uuesti 10–15 sekundit.
4. Järgige külma mootori käivitamise juhiseid. Vt jaotist *Külma mootori käivitamine lk 136*.

Seiskamine

- Mootori seiskamiseks vajutage seiskamislülitit. (Joon. 21)

Märkus: Seiskamislülitit naaseb automaatselt algasendisse.

Murutrimmeri käsitsemine



ETTEVAATUST: Alati pärast tööoperatsiooni lõpetamist aeglustage mootor tühikäigu pöörete arvule. Pika aja vältel ilma koormuseta täisgaasil töötamine võib mootorit kahjustada.

Märkus: Uue trimmerijõhvi paigaldamisel puhastage vibratsiooni vältimiseks trimmeripea kate. Kontrollige üle ja vajaduse korral puhastage ka trimmeripea muud osad.

Muru pügamine

1. Hoidke trimmipead nurga all maapinna kohal. Ärge vajutage trimmerijõhvi rohu sisse. (Joon. 38)
2. Lühendage trimmerijõhvi pikkust 10–12 cm (4–4,75 tolli).
3. Taimede kahjustamise ohu vähendamiseks vähendage mootori kiirust.

4. Esemete või rajatiste lähedal asuva muru pügamisel rakendage 80% gaasi. (Joon. 39)

Rohu lõikamine

1. Muru lõikamisel jälgige, et trimmerijõhv asuks maapinnaga paralleelselt. (Joon. 40)
2. Ärge vajutage trimmeripead vastu maapinda. See võib toodet kahjustada.
3. Liigutage muru lõigates toodet küljelt-küljele. Rakendage täisgaasi. (Joon. 41)

Rohu niitmine rohuteraga

1. Jämedamate tüvede lõikamiseks ei tohi kasutada rohunuga või rohuterat.
2. Igasuguse kõrgse või jämeda rohu puhul kasutatakse rohuterat.
3. Rohi niidetakse maha külgsuunalise edasi-tagasi liikumisega, mille käigus niitmine toimub paremalt vasakule liikumisel ja vasakult paremale liikumisega jõutakse tagasi algasendisse. Lõigake lõiketera vasaku poolega (kella 8 ja 12 vahel).
4. Kui kallutada lõiketera rohu lõikamisel veidi vasakule, koguneb rohi kaarde, kergendades selle kokkukogumist, näiteks riisumist.
5. Püüdke töötada rütmiliselt. Seiske kindlalt, jalad harkis. Liikuge algasendisse tagasiviimise järel edasi ning võtke uuesti kindel asend.
6. Laske tugikuppel vastu maad. Selle otstarve on kaitsta lõiketera maasse tungimast.

7. Selleks et materjal vähem lõiketera ümber keerduks rakendage töötamisel alati täisgaasi ja vältige algasendisse liikumisel kokkupuudet niidetud materjaliga.
8. Enne lõigatud materjali kokkukogumist seisake mootor, võtke seade raketest välja ja pange maha.

Rohutrimmeripea

- Vibratsiooni vähendamiseks kerige rohutrimmeri jõhv trumlile tihedalt ja ühtlaselt.
- Kasutage üksnes heakskiidetud rohutrimmeripäid ja rohutrimmeri jõhve. Vt jaotist *Lisatarvikud lk 141*.
- Kasutage õige pikkusega rohutrimmeri jõhvi. Pikk rohutrimmeri jõhv tarvitab rohkem mootori võimsust kui lühike rohutrimmeri jõhv.
- Kontrollige, et lõikeosa kaitse peal asetsev lõikur ei oleks kahjustatud.
- Enne rohutrimmeri jõhvi tootele paigaldamist leotage jõhvi kaks päeva vees. See pikendab rohutrimmeri jõhvi kasutusiga.

Trimmerijõhvi vahetamine

- (Joon. 42)
(Joon. 43)
(Joon. 44)
(Joon. 45)
(Joon. 46)
(Joon. 47)
(Joon. 48)
(Joon. 49)

Hooldamine

Sissejuhatus



HOIATUS: Enne seadme hooldamist lugege põhjalikult läbi ohutust puudutav peatükk.

Toote hooldamiseks ja remontimiseks on vaja erioskusi. Tagame asjatundliku remondi- ja hooldustöö. Kui edasimüüjal, kellelt toote ostsite, pole hooldustöökoda, küsige neilt teavet lähima hooldustöökoja kohta.

Hoolduskeem

Iganädalane hooldus

- Puhastage välispinnad.
- Veenduge, et lõikeosa ei liiguks tühikäigul. Vt jaotist *Tühikäigu pöörete arvu reguleerimine lk 137*.
- Kontrollige nurkreduktori määrdetaset. Vt jaotist *Nurkreduktori määrimine lk 138*.
- Kontrollige lukustusmutrit. Vt jaotist *Lukustusmutri ülevaatus lk 138*.

Igakuine hooldus

- Veenduge, et käivitusnööri käepide ja käivitusnõör poleks kahjustatud.

Iga-aastane hooldus

- Kontrollige süüteküünalt. Vt jaotist *Süüteküünla kontrollimine lk 138*.
- Puhastage karburaatori ja selle ümbruse välispinnad.
- Puhastage jahutussüsteemi.
- Kontrollige sädemepüüdurit. Vt jaotist *Sädemepüüduri hooldamine lk 138*.
- Kontrollige kütusefiltrit.
- Veenduge, et kütusevoolik oleks kahjustamata.
- Veenduge, et toote kaablid ja ühendused poleks kahjustatud.

Tühikäigu pöörete arvu reguleerimine

- Enne tühikäigu pöörete arvu reguleerimist veenduge, et õhufilter oleks puhas ja õhufiltri kate asuks oma kohal.
- Reguleerige tühikäigu pöörete arvu tühikäigu reguleerimiskruviga T, mis kannab tähist „T“.
- Tühikäigu pöörete arv on õige siis, kui mootor töötab igas asendis ühtlaselt. Tühikäigu pöörete arv peab

jääma allapoole lõikeosa pöörlema hakkamise kiirusest.

1. Keerake tühikäigu reguleerimiskruvi päripäeva, kuni lõikeosa hakkab pöörlema. (Joon. 50)
2. Keerake tühikäigu reguleerimiskruvi vastupäeva, kuni lõikeosa peatub.

Sädemepüüduri hooldamine

Puhastage sädemepüüdur terasharjaga. (Joon. 51)

Jahutussüsteemi puhastamine

Puhastage jahutussüsteemi osad harjaga. (Joon. 52)

Süüteküünla kontrollimine



ETTEVAATUST: Kasutage soovitatud tüüpi süüteküünalt. Veenduge, et asendustoodete oleks sama mis tootja tarnitud osa. Vale süüteküünal võib toodet kahjustada.

1. Kontrollige süüteküünalt, kui:
 - a) mootor töötab vähese võimsusega;
 - b) mootori käivitamine on raskendatud;
 - c) mootor ei tööta tühikäigul õigesti.
2. Kui mootori käivitamine või töötamine on raskendatud, kontrollige, kas süüteküünal leidub võõraineid. Süüteküünla elektrodidele võõrainete kogunemise ohu vähendamiseks:
 - a) veenduge, et tühikäigu pöörete arv oleks õigesti reguleeritud;
 - b) veenduge, et kütusesegu oleks õige;
 - c) veenduge, et õhufilter oleks puhas.
3. Puhastage määratud süüteküünal. Veenduge, et elektrodide vahe on õige. (Joon. 53)
4. Vajaduse korral asendage süüteküünal.

Õhufiltri hooldamine

Õhufiltri puhastamine

1. Eemaldage õhufiltri kate ja õhufilter. (Joon. 54)
2. Puhastage õhufilter sooja seebiveega. Enne tagasi paigaldamist veenduge, et õhufilter oleks kuiv.
3. Kui õhufilter on puhastamiseks liiga määratud, asendage see. Kahjustatud õhufilter tuleb alati välja vahetada.
4. Kui tootel on vahtplastist õhufilter, kandke sellele õhufiltri õli. Kandke õhufiltri õli ainult vahtplastist filtrile. Ärge kandke õli vildist filtrile.

Õhufiltri õli kandmine õhufiltrile



ETTEVAATUST: Kasutage vahtplastist õhufiltritel alati spetsiaalset õhufiltri õli. Ärge kasutage teist tüüpi õlisid.



HOIATUS: Vältige õli sattumist nahale.

1. Eemaldage õhufiltri kate ja õhufilter. (Joon. 55)
2. Asetage õhufilter kilekotti.
3. Asetage õhufiltri õli kilekotti. (Joon. 56)
4. Vajutage kilekotti, et õli kanduks ühtlaselt kogu õhufiltrile.
5. Vajutage kotis olevat õhufiltrit, et eemaldada üleliigne õhufiltri õli. Võtke õhufilter kotist välja.
6. Paigaldage õhufilter.

Nurkreduktori määrimine

Veenduge, et nurkreduktor oleks 3/4 ulatuses reduktormäärdega täidetud.

(Joon. 57)

Lukustusmutri ülevaatus



ETTEVAATUST: Vahetage lukustusmutter iga 10 kasutuskorra järel välja.

1. Keerake lukustusmutrit vastupäeva, et see kinni pingutada. Keerake lukustusmutrit päripäeva, et see eemaldada. (Joon. 58)
2. Veenduge, et lukustusmutri nailonlukustit poleks võimalik kätega keerata. Nailonlukusti takistus peab olema vähemalt 1,5 Nm.
3. Kui takistus on alla selle, pingutage lukustusmutter kinni momendiga 35–50 Nm.



ETTEVAATUST: Kui pingutate lukustusmutrit liiga palju, võite kahjustada selle keeret.

Rohunoo ja rohuterat teritamine



HOIATUS: Seisake mootor. Kasutage kaitsekindaid.

- Rohunoo või rohuterat õige teritamise kohta leiate teavet lõikeosaga kaasas olevast juhendist.
- Tasakaalu säilitamiseks teritage kõik servad võrdselt.
- Kasutage lihtlameviili. (Joon. 59)



HOIATUS: Kahjustatud lõiketera kõrvaldage alati kasutusest. Ärge proovige paindunud

või väändunud lõiketera sirgeks ajada ja uuesti kasutada.

Veaotsing

Mootor ei käivitu

Kontrollige	Võimalik põhjus	Toiming
Seiskamislüliti.	Seiskamislüliti on seiskamisasendis.	Viige pealüliti ON asendisse.
Starterikutsikad.	Starterikutsikad ei saa vabalt liikuda.	Eemaldage starterikate ja puhastage starterikutsikate ümbrus. Pöörduge abi saamiseks volitatud hooldustöökotta.
Kütusepaak.	Vale kütusetüüp.	Tühjendage kütusepaak ja täitke õige kütusega.
Süüteküünal.	Süüteküünal on määratud või märg.	Veenduge, et süüteküünal on kuiv ja puhas.
	Süüteküünla elektrodide vahe on vale.	Puhastage süüteküünal. Veenduge, et elektrodide vahe oleks õige. Veenduge, et süüteküünal on raadiohäirete kaitse.
	Süüteküünal on lahti.	Vaadake õiget elektroodi vahet tehnilistest andmetest. Keerake süüteküünal kinni.

Mootor käivitub, kuid seejärel seiskub

Kontrollige	Võimalik põhjus	Toiming
Kütusepaak	Vale kütusetüüp.	Tühjendage kütusepaak ja täitke õige kütusega.
Õhufilter	Õhufilter on ummistunud.	Puhastage õhufilter.

Transportimine, hoiulepanek ja utiliseerimine

Transportimine ja hoiustamine

- Laske seadmel enne transportimist või hoiukohta panemist jahtuda.
- Enne pikaks ajaks hoiulepanekut eemaldage süüteküünla kate.
- Kinnitage seade transporti ajaks. Veenduge, et see ei pääseks liikuma.
- Veenduge, et transporti ega hoiukohas hoidmise ajal ei oleks kütuseleketete, kütuseaurude, sädeme-ega leegiohtu.
- Transporti ja hoiulepaneku ajaks kinnitage transportkaitse.
- Enne pikaks ajaks hoiulepanekut puhastage ja hooldage toode.

Tehnilised andmed

Tehnilised andmed

	325R
	A05328CBHV
Mootor	
Silindrimaht, cm ³	27,6
Tühikäigu pöörete arv, p/min	2800–3200
Soovituslik suurim pöörete arv, p/min	8000
Võimsus / mootori max võimsus ISO 8893 järgi, kW/hj @ p/min	0,9/1,2 @ 8000
Katalüsaatoriga summuti	Jah
Väljuva völli pöörlemiskiirus, p/m	7200
Süütesüsteem	
Süüteküünel	Husqvarna HQT-4
Elektroodide vahe, mm	0,5
Kütusesüsteem	
Kütusepaagi maht, l/cm ³	0,343/343
Toote mõõtmised	
Kaal, kg	5,5
Müratasemed²⁵	
Mõõdetud helivõimsuse tase rohuteri kasutamisel, dB(A)	108
Mõõdetud helivõimsuse tase trimmeripea kasutamisel, dB(A)	110
Garanteeritud helivõimsuse tase rohuteri kasutamisel, (L _{WA}), dB(A)	112
Garanteeritud helivõimsuse tase trimmeripea kasutamisel, (L _{WA}), dB(A)	114
Müratase²⁶	
Helitugevus operaatori kõrvade juures rohuteri kasutamisel, dB(A)	96
Helitugevus operaatori kõrvade juures trimmeripea kasutamisel, dB(A)	95
Vibratsioonitase²⁷	

²⁵ Müraemissioon ümbritsevasse keskkonda, mõõdetud helivõimsuse tasemena (L_{WA}) vastavalt EÜ direktiivile 2000/14/EÜ. Toote antud müratase mõõdeti enim müra tekitava originaalsaagimisseadme kasutamisel. Erinevus garanteeritud ja mõõdetud helivõimsustaseme vahel seisneb selles, et direktiivi 2000/14/EÜ alusel hõlmab garanteeritud helivõimsustase ka mõõtmistulemuste dispersiooni ja kõrvalekaldeid sama mudeli erinevate toodete vahel.

²⁶ Esitatud andmetel on seadme helirõhutaseme ekvivalendil tüüpiline statistiline dispersioon (standardhälve) 1 dB(A).

²⁷ Ekvivalentse vibratsioonitaseme kohta toodud andmete tüüpiline statistiline dispersioon (standardhälve) on 1 m/s².

	325R A05328CBHV
Vasaku käepideme vibratsioon (ahv, eq) rohuteri kasutamisel, m/s ²	5,1
Parema käepideme vibratsioon (ahv, eq) rohuteri kasutamisel, m/s ²	5,7
Vasaku käepideme vibratsioon (ahv, eq) trimmeripea kasutamisel, m/s ²	4,1
Parema käepideme vibratsioon (ahv, eq) trimmeripea kasutamisel, m/s ²	4,9

Lisatarvikud

Lisavarustus

Heakskiidetud lisavarustus	Tüüp	Lõikepea kaitse
Keermevars	M10L	
Trimmeripea	T35, 2,4 mm	588 11 79-01
Rohutera	Grass 255-4, Ø 250	588 11 79-01

EÜ vastavusdeklaratsioon

EL-i vastavusdeklaratsiooni sisu

Meie, Husqvarna AB, SE 561 82 Huskvarna, ROOTSI, deklareerime ainuvastutusel, et kirjeldatud toode:

Kirjeldus	Bensiinimootoriga murutrimmer/võsalõikur
Kaubamärk	Husqvarna
Platvorm/tüüp/mudel	Platvorm A05328CBHV, mille alla kuulub mudel 325R.
Partii	Seerianumber alates 2018. aastast.

vastab täielikult järgmistele EÜ direktiividele ja eeskirjadele:

Direktiiv/eeskiri	Kirjeldus
2006/42/EÜ	„masinadirektiiv“
2014/30/EL	„elektromagnetilise ühilduvuse direktiiv“
2000/14/EÜ	„välitingimustes kasutatavate seadmete müra direktiiv“
2011/65/EL	„direktiiv teatavate ohtlike ainete kasutamise piiramise kohta“

Kohalduvad järgmised ühtlustatud standardid ja/või tehnilised spetsifikatsioonid: EN ISO 12100, EN ISO 11806-1, CISPR 12, ISO 14982, EN 50581:2012 .

Vastavalt direktiivi 2000/14/EÜ lisale V on deklareeritud helitaseme väärtused toodud tehniliste andmete jaotises ja allkirjastatud EÜ vastavusdeklaratsioonis.

TÜV Rheinland N.A. on teostanud Husqvarna AB tellimusel vabatahtliku ekspertiisi ja väljastanud vastavussertifikaadi vastavalt EÜ Nõukogu masinadirektiivile 2006/42/EÜ.

Allkirjastatud EÜ vastavusdeklaratsioonil toodud sertifikaat kehtib kõikidele tootel viidatud tootmiskohtadele ja päritoluriikidele.

Tarnitud bensiinimootoriga murutrimmer/võsalõikur vastab näidisele, mis läbis ekspertiisi.

Sisältö

Johdanto.....	143	Vianmääritys.....	153
Turvallisuus.....	144	Kuljettaminen, säilyttäminen ja hävittäminen.....	153
Asentaminen.....	148	Tekniset tiedot.....	154
Toiminta.....	149	Lisävarusteet.....	155
Huolto.....	151	EY-vaatimustenmukaisuusvakuutus.....	156

Johdanto

Käyttöohjekirja

Tämän käyttöohjekirjan alkuperäiskieli on englanti. Muunkieliset käyttöohjekirjat ovat käännöksiä englannista.

Käyttötarkoitus

Käytä laitteessa ruohoterää tai siimapäätä eri kasvillisuustyyppien leikkaamiseen.

Tuotteen kuvaus

(Kuva 1)

1. Siimapää
2. Voiteluaineen täyttöaukko
3. Kulmavaihde
4. Terälaitteen suojus
5. Runkoputki
6. Pysäytin
7. Turvallipaisin
8. Turvallipaisimen varmistin
9. Ohjain
10. Valjaiden kiinnike
11. Käynnistyslaitteen kotelo
12. Sytytystulpan suojus, sytytystulppa
13. Käynnistysköyden kahva
14. Polttoainesäiliö
15. Ilmansuodattimen kansi
16. Polttoaineen ilmauspumppu
17. Rikastimen ohjain
18. Kahvan säätö
19. Kaasuvaijeri
20. Nopean joutokäynnin painike
21. Valjaat
22. Yhdistelmäavain
23. Käyttöohjekirja
24. Kuljetussuojus
25. Terä
26. Tukikuppi
27. Tukilappu
28. Lukkomutteri

Huomautus: Kansalliset määräykset saattavat rajoittaa tuotteen käyttöä.

29. Jousilevy
30. Lukkotappi
31. Kuusiokoloavain

Laitteen symbolit

- (Kuva 2) VAROITUS! Tämä laite on vaarallinen. Laitteen huolimaton tai virheellinen käyttö voi aiheuttaa käyttäjälle tai sivullisille vammoja tai kuoleman. Käyttäjän ja sivullisten vammojen välttämiseksi kaikki käyttöohjekirjan turvaohjeet on luettava ja niitä on noudatettava.
- (Kuva 3) Lue käyttöohje huolellisesti ja varmista, että ymmärrät sen sisällön, ennen kuin alat käyttää konetta.
- (Kuva 4) Käytä suojakypärää paikoissa, joissa päällesi voi pudota esineitä. Käytä hyväksytyjä kuulonsuojaimia. Käytä hyväksytyjä silmäsuojaimia.
- (Kuva 5) Käytä hyväksytyjä suojakäsineitä.
- (Kuva 6) Käytä kestäviä luistamattomia jalkineita.
- (Kuva 7) Nuolet osoittavat kahvan asennon rajat.
- (Kuva 8) Laite voi saada esineitä sinkoutumaan, mikä voi aiheuttaa vammoja.
- (Kuva 9) Käyttöakselin enimmäisnopeus.
- (Kuva 10) Pysy vähintään 15 metrin (50 ft) etäisyydellä ihmisistä ja eläimistä laitteen käytön aikana.

(Kuva 11) Takapotkun vaara, jos terävarustus osuu esineeseen, jota se ei välittömästi leikkaa. Laite voi katkaista ruumiinosia. Pysy vähintään 15 metrin (50 ft) etäisyydellä ihmisistä ja eläimistä laitteen käytön aikana.

(Kuva 12) Polttoaineen ilmauspumppu.

(Kuva 13) Rikastin.

(Kuva 14) Pidä kaikki kehon osat poissa kuumilta pinnoilta.

(Kuva 15) Melupäästöt ympäristöön ovat Euroopan yhteisön direktiivin mukaiset. Tuotteen päästöt ilmoitetaan luvussa Tekniset tiedot ja arvokilvessä.

(Kuva 16) Laite täyttää voimassa olevien EY-direktiivien vaatimukset.

(Kuva 17) Laite täyttää voimassa olevien EAC-direktiivien vaatimukset.

Sarjanumero on tyyppikilvessä. **yyyy** tarkoittaa valmistusvuotta ja **ww** valmistusviikkoa. **xxxxx** on laitteen sarjanumero.

yyyywwxxxxx

Huomautus: Muita laitteen symboleita/tarroja tarvitaan muilla markkina-alueilla ilmaisemaan sertifiointivaatimuksia.

Tuotevastuu

Tuotevastuulain mukaisesti emme ole vastuussa tuotteen aiheuttamasta vaurioista, jos

- tuote on korjattu virheellisesti
- tuotteen korjaamiseen on käytetty muita kuin valmistajan omia tai sen hyväksymiä osia
- tuotteessa on muu kuin valmistajan oma tai sen hyväksymä lisävaruste
- tuotetta ei ole korjattu valtuutetussa huoltopisteessä tai hyväksytyllä asiantuntijalla.

EU V



VAROITUS: Moottorin muokkaaminen mitätöi tuotteen EU-tyyppihväksynnän.

Turvallisuus

Turvallisuusmääritelmät

Varoituksia, huomioita ja huomautuksia käytetään, kun jotakin käyttöohjeen osaa halutaan erityisesti korostaa.



VAROITUS: Tätä käytetään, jos käyttöohjeen noudattamatta jättämisestä voi seurata käyttäjän tai sivullisen vamma tai kuolema.



HUOMAUTUS: Tätä käytetään, jos käyttöohjeen noudattamatta jättämisestä voi ympäristön vaurioituminen.

Huomautus: Tätä käytetään tietyissä tilanteissa tarvittavien lisätietojen antamiseen.

Tärinäturvallisuus

Tämä laite on tarkoitettu vain tilapäiseen käyttöön. Laitteen jatkuva tai säännöllinen käyttö voi aiheuttaa valkosormisuutta tai vastaavia tärinän aiheuttamia

terveydellisiä ongelmia. Tutki käsiesi ja sormiesi kunto, jos käytät laitetta jatkuvasti tai säännöllisesti. Käänny välittömästi lääkärin puoleen, jos käsissäsi tai sormissasi esiintyy värinmuutoksia, kipua, kihelmöintiä tai ne puuttuvat tai eivät toimi.

Yleiset turvaohjeet



VAROITUS: Lue seuraavat varitusohjeet ennen koneen käyttämistä.

- Käytä laitetta oikein. Virheellinen käyttö voi aiheuttaa tapaturman tai kuoleman. Käytä laitetta vain tässä käyttöohjekirjassa esitettyihin tehtäviin. Älä käytä laitetta muihin tehtäviin.
- Noudata tämän käyttöohjekirjan ohjeita. Noudata turvallisuussymboleita ja turvaohjeita. Jos käyttäjä ei noudata ohjeita ja symboleita, seurauksena voi olla vamma, vaurio tai kuolema.
- Älä hävitä tätä käyttöohjekirjaa. Noudata laitteen asennusta, käyttöä ja kunnossapitoa koskevia ohjeita. Asenna lisälaitteet ja lisävarusteet oikein

ohjeiden mukaisesti. Käytä vain hyväksytyjä lisälaitteita ja lisävarusteita.

- Älä käytä vaurioitunutta laitetta. Noudata huoltokaaviota. Tee vain sellaisia huoltotoimia, joita koskevat ohjeet löytyvät tästä käyttöohjekirjasta. Valtuutetun huoltopisteen on tehtävä kaikki muut huoltotyöt.
- Tämä käyttöohjekirja ei voi sisältää kaikkia laitteen käyttöön liittyviä tilanteita. Ole varovainen ja käytä tervettä järkeä. Älä käytä laitetta tai huolla sitä, jos et ole varma tilanteesta. Kysy ohjeita laitteen asiantuntijalta, jälleenmyyjältä, huoltoliikkeestä tai valtuutetusta huoltopisteestä.
- Irrota syytystulpan johto ennen laitteen asentamista, säilytykseen siirtämistä tai huoltoa.
- Älä käytä laitetta, jos sen alkuperäisiä ominaisuuksia on muutettu. Älä muuta edes osaa laitteesta ilman valmistajan lupaa. Käytä ainoastaan valmistajan hyväksymiä osia. Virheellinen huolto voi aiheuttaa tapaturman tai kuoleman.
- Älä hengitä moottorin kaasuja. Moottorin pakokaasujen pitkäaikainen hengittäminen on terveydelle vaarallista.
- Älä käynnistä laitetta sisätiloissa tai lähellä herkästi syttyvää materiaalia. Pakokaasut ovat kuumia ja voivat sisältää kipinöitä, jotka voivat aiheuttaa tulipalon. Jos ilmanvirtaus ei ole riittävä, tukehtuminen tai hiilimonoksidin hengittäminen voi aiheuttaa vammaa tai kuoleman.
- Kun laitetta käytetään, moottori muodostaa sähkömagneettisen kentän. Sähkömagneettinen kenttä voi vaurioittaa lääketieteellisiä implanteja. Neuvottele lääkärin ja lääketieteellisen implantin valmistajan kanssa, ennen kuin käytät laitetta.
- Älä anna lasten käyttää laitetta. Konetta saavat käyttää vain henkilöt, jotka ovat lukeneet ohjeet.
- Muista aina valvoa laitetta käyttävää henkilöä, jonka fyysiset tai psyykkiset taidot ovat heikentyneet. Vastuullisen aikuisen on oltava aina paikalla.
- Lukitse laite paikkaan, johon lapset ja asiattomat henkilöt eivät pääse.
- Laite voi saada esineitä sinkoutumaan ja aiheuttaa näin vammoja. Noudata turvaohjeita tapaturmien tai kuoleman vaaran ehkäisemiseksi.
- Älä poistu laitteen luota, kun moottori on käynnissä.
- Laitteen käyttäjä on vastuussa, jos tapahtuu onnettomuus.
- Varmista ennen laitteen käyttämistä, ettei osissa ole vaurioita.
- Varmista ennen laitteen käyttämistä, että olet vähintään 15 m:n etäisyydellä muista ihmisistä tai eläimistä. Varmista, että lähistöllä olevat henkilöt tietävät sinun aikovan käyttää laitetta.
- Noudata kansallisia ja paikallisia lakeja. Ne voivat estää laitteen käytön tai rajoittaa sitä joissakin olosuhteissa.
- Älä käytä laitetta ollessasi väsynyt tai jos olet alkoholin, huumausainien tai lääkkeiden vaikutuksen alaisena. Ne voivat vaikuttaa

näkökykyyn, vireyteen, harkintakykyyn tai kehon hallintaan.

Turvallisuusohjeet asentamista varten



VAROITUS: Lue seuraavat varoitusohjeet ennen laitteen käyttämistä.

- Irrota syytystulpan suojus syytystulpasta ennen laitteen asentamista.
- Käytä hyväksytyjä suojakäsineitä.
- Varmista ennen moottorin käynnistämistä, että olet asentaan kotelon ja runkoputken oikein.
- Jousilevyn ja tukilaipan on oltava oikein terälaitteen keskireiässä. Väärin kiinnitetty terälaite voi aiheuttaa käyttäjälle tai muille henkilöille vakavan vammaa tai kuoleman.
- Laite on aina kiinnitettävä oikein valjaisiin, jotta sen käyttö on turvallista eikä aiheuta vammoja käyttäjälle tai muille henkilöille.

Turvallisuusohjeet käyttöä varten



VAROITUS: Lue seuraavat varoitusohjeet ennen laitteen käyttämistä.

- Varmista ennen laitteen käyttämistä, että se on valmiiksi koottu.
- Siirrä laite ennen käynnistämistä 3 metrin (10 ft) päähän paikasta, jossa täytit polttoainesäiliön. Aseta laite tasaiselle alustalle. Varmista, ettei terälaite pääse osumaan maahan tai mihinkään esineeseen.
- Laite voi saada esineitä sinkoutumaan, mikä voi vahingoittaa silmiä. Käytä aina hyväksytyjä silmäsuojaimia, kun käytät laitetta.
- Ole varovainen laitetta käyttäessäsi, sillä lapsi voi tulla laitteen lähelle huomaamattasi.
- Älä käytä laitetta, jos työskentelyalueella on ihmisiä. Sammuta laite, jos työskentelyalueelle tulee ihminen.
- Varmista, että laite on aina hallinnassasi.
- Älä käytä laitetta, jos et voi saada apua onnettomuuden sattuessa. Varmista aina ennen käytön aloittamista, että muut tietävät sinun käyttävän laitetta.
- Älä käänny laitteen kanssa, ennen kuin olet varmistanut, ettei turva-alueella ole ihmisiä tai eläimiä.
- Poista kaikki ylimääräiset materiaalit työskentelyalueelta ennen aloittamista. Jos terälaite osuu esineeseen, esine voi sinkoutua ja aiheuttaa vammaa tai vaurion. Terälaitteen ympärille voi kiertyä ei-toivottua materiaalia, mikä voi aiheuttaa vaurion.
- Älä käytä laitetta huonolla säällä (sumu, sade, kova tuuli, ukkonen tai muut sääolosuhteet). Huono sää

voi aiheuttaa vaaratilanteita (kuten liukastumisvaaran).

- Varmista, että pystyt liikkumaan vapaasti ja työskentelemään tukevassa asennossa.

(Kuva 18)

- Varmista, ettet voi kaatua, kun käytät laitetta. Älä kallistu, kun käytät laitetta.
- Pidä laitetta aina molemmin käsin. Pidä laitetta kehon oikealla puolella.

(Kuva 19)

- Käytä laitetta siten, että terälaite on vyötärön alapuolella.
- Jos rikastinvipu on rikastusasennossa, kun moottori käynnistyy, terälaite alkaa pyöriä.
- Älä koske kulmavaihteeseen moottorin sammuttamisen jälkeen. Kulmavaihteeseen on kuuma moottorin sammuttua. Kuumat kohdat voivat aiheuttaa vamman.
- Sammuta moottori ennen laitteen siirtämistä.
- Älä laske laitetta maahan, kun moottori on käynnissä.
- Ennen kuin poistat ei-toivotut materiaalit laitteesta, sammuta moottori ja odota, että terälaite pysähtyy. Anna terälaitteen pysähtyä ennen leikkuujätteen poistamista.

Henkilökohtainen suojarustus



VAROITUS: Lue seuraavat varoitusohjeet ennen koneen käyttämistä.

- Käytä aina oikeanlaista henkilökohtaista suojarustusta, kun käytät laitetta. Henkilökohtainen suojarustus ei poista tapaturmien vaaraa. Henkilökohtainen suojarustus lieventää vammaa, jos sattuu onnettomuus.
- Käytä aina hyväksytyjä silmäsuojaimia, kun käytät laitetta.
- Älä käytä laitetta paljain jaloin tai avonaisissa jalkineissa. Käytä aina kestäviä luistamattomia jalkineita.
- Käytä vahvakankaisia, pitkiä housuja.
- Käytä suojakäsineitä tarvittaessa.
- Käytä kypärää, jos on mahdollista, että päähän putoaa esineitä.
- Käytä aina hyväksytyjä kuulonsuojaimia, kun käytät laitetta. Pitkäkestoinen melulle altistuminen voi aiheuttaa kuulovaurioita.
- Varmista, että lähistöllä on ensiapupakkaus.

Tuotteen turvalaitteet



VAROITUS: Lue seuraavat varoitusohjeet ennen koneen käyttämistä.

- Älä käytä konetta, jos jokin sen turvalaitteista on rikki.

- Tarkasta turvalaitteet säännöllisesti. Katso *Tuotteen kuvaus sivulla 143*.
- Jos turvalaitteissa on vikoja, ota yhteyttä Husqvarna-huoltoliikkeeseen.

Turvaliipaisimen varmistin

Turvaliipaisimen varmistin lukitsee turvaliipaisimen. (Kuva 20)

Paina turvaliipaisimen varmistinta (A) turvaliipaisimen (B) vapauttamiseksi. Kun vapautat kahvan, turvaliipaisimen varmistin ja turvaliipaisin palaavat lähtöasentoihinsa.

1. Varmista, että turvaliipaisin (B) on lukittu joutokäynnillä, kun vapautat turvaliipaisimen varmistimen (A).
2. Paina turvaliipaisimen varmistinta (A) ja varmista, että se palautuu lähtöasentoonsa, kun se vapautetaan.
3. Paina turvaliipaisinta (B) ja varmista, että se palautuu lähtöasentoonsa, kun se vapautetaan.

Käynnistä moottori ja käytä täyttä kaasua. Vapauta turvaliipaisin ja tarkista, pysähtyykö terälaite. Jos terälaite pyörii, kun kaasuliipaisin on joutokäyntiasennossa, tarkista kaasuttimen joutokäyntiruuvi.

Pysäytin

Käynnistä moottori. Varmista, että moottori sammuu, kun siirrä pysäytyskytkimen pysäytysasentoon.

(Kuva 21)

Terälaitteen suojuus

Terälaitteen suojuus estää irrallisten esineiden sinkoutumisen käyttäjää kohti.

(Kuva 22)

Tarkista terälaitteen suojuus vaurioiden varalta ja vaihda, jos se on vaurioitunut. Käytä vain hyväksytyä terälaitteen suojusta.

Äänenvaimennin

- Älä käytä moottoria, jos äänenvaimennin on vaurioitunut. Vaurioitunut äänenvaimennin nostaa äänitasoa ja lisää tulipalon vaaraa. Pidä palonsammutin lähistöllä.
- Tarkista säännöllisesti, että äänenvaimennin on kiinni laitteessa.
- Älä kosketa moottoria tai äänenvaimenninta, kun moottori on käynnissä. Älä kosketa moottoria tai äänenvaimenninta hetken moottorin sammuttamisen jälkeen. Kuumat pinnat voivat aiheuttaa vammoja.
- Kuuma äänenvaimennin voi aiheuttaa tulipalon. Ole varovainen, jos käytät laitetta palavien nesteiden tai kaasujen läheisyydessä.

- Älä kosketa äänenvaimentimen osia, jos äänenvaimennin on vaurioitunut. Osat voivat sisältää syöpää aiheuttavia kemikaaleja.

Lukkomutteri

Lukkomutteria käytetään joidenkin terälaitteiden lukitsemiseen.

(Kuva 23)

Kun asennat lukkomutterin, kiristä se terälaitteen käyttösuunnan vastaiseen suuntaan.

Valjaiden vapautustoiminto



VAROITUS: Älä käytä valjaita, jos vapautustoiminto ei toimi oikein. Varmista, että valjaiden vapautustoiminto toimii oikein, kun säädät laitteen.

Valjaiden vapautustoiminto sijaitsee laitteen etupuolella. Valjaiden hihnojen tulee aina pysyä oikeassa asennossa.

(Kuva 24)

Hätätilanteessa käyttäjä pystyy vapautumaan laitteesta valjaiden vapautustoiminnolla.

Terälaite



VAROITUS: Lue seuraavat varoitusohjeet ennen laitteen käyttämistä.

- Huolla säännöllisesti. Anna valtuutetun huoltopisteen tarkastaa terälaite säännöllisesti säätöjen tai korjausten varalta.
 - Terälaitteen suorituskyky paranee.
 - Terälaitteen käyttöikä pitenee.
 - Onnettomuusvaara pienenee.
- Käytä vain hyväksytyä terälaitteen suojusta. Katso lisätietoja kohdasta *Lisävarusteet sivulla 155*.
- Älä käytä vaurioitunutta terälaitetta.

Ruohoterät ja ruohoveitset

- Käytä laitteessa hyväksytyä ruohoterää. Älä käytä ruohoterää ilman, että kaikki tarvittavat osat on asennettu oikein. Varmista, että asennus tehdään oikein ja että kaikkia oikeita osia käytetään. Väärin tehty asennus voi aiheuttaa terän irtoamisen ja vahingoittaa vakavasti laitteen käyttäjää tai sivullisia.
- Käytä suojäkäsineitä, kun käsittelet tai huollat terää.
- Käytä kypärää, kun käytät ruohoterällä varustettua laitetta.
- Ruohoterä ja ruohoveitset käytetään paksun ruohon raivaukseen.
- Ruohoterä voi aiheuttaa loukkaantumisen, kun se jatkaa pyörimistä moottorin sammuttamisen tai turvaliipaisimen vapauttamisen jälkeen. Varmista,

että ruohoterä on lakannut kokonaan pyörimästä, ennen kuin teet mitään huoltotoita.

- Sammuta moottori ennen kuin käsittelet terälaitetta. Varmista, että terälaite pysähtyy kokonaan. Irrota johto syytystulpasta.
- Käytä vain hyväksytyä terälaitetta tai oikein teroitettua terää.
- Pidä terän leikkuuhampaat hyvin ja oikein teroitettuina.

(Kuva 25)

- Älä käytä vaurioitunutta terälaitetta.
- Liitä kuljetussuojus ruohoterään laitteen kuljetuksen tai varastoinnin ajaksi.

Takapotku

- Takapotku tarkoittaa laitteen äkillistä liikahtamista sivulle, eteen tai taakse. Takapotku tapahtuu, kun ruohoterä tai sahanterä osuu esteeseen, jota ei voi leikata. Takapotkun riski on suurempi alueilla, joilla leikattavan materiaalin näkeminen on hankalaa.
- Kun takapotku tapahtuu, vaarana on laitteen tai käyttäjän siirtyminen pois paikaltaan. Liikkuva terä voi osua sivullisiin ja aiheuttaa loukkaantumisen.
- Hävitä terä, jos se on taipunut, rikkoutunut tai vaurioitunut tai siinä on halkeamia.
- Käytä terävää terää. Tylsä terä lisää takapotkun riskiä.

Polttoaineturvallisuus



VAROITUS: Lue seuraavat varoitusohjeet ennen koneen käyttämistä.

- Älä sekoita polttoainetta sisätiloissa tai lämmönlähteen läheisyydessä.
- Älä käynnistä laitetta, jos sen päällä on polttoainetta tai moottoriöljyä. Poista ylimääräinen polttoaine tai öljy ja anna laitteen kuivua. Poista ylimääräinen polttoaine laitteesta.
- Jos olet läikyttänyt polttoainetta vaatteillesi, vaihda vaatteet heti.
- Varo, ettei iholle pääse polttoainetta, sillä se voi aiheuttaa vamman. Jos ihollesi joutuu polttoainetta, pese se pois vedellä ja saippualla.
- Älä käynnistä moottoria, jos läikytät öljyä tai polttoainetta laitteen päälle tai yllesi.
- Älä käynnistä laitetta, jos moottori vuotaa. Tarkista moottori säännöllisesti vuotojen varalta.
- Käsittele polttoainetta varoen. Polttoaine on syttyvää ja kaasut ovat räjähdysherkkiä, mikä voi aiheuttaa tapaturman tai kuoleman.
- Älä hengitä polttoainehöyryjä, sillä ne voivat aiheuttaa vamman. Varmista, että ilmanvirtaus on riittävä.
- Älä tupakoi polttoaineen tai moottorin lähistöllä.
- Älä sijoita lämpimiä esineitä polttoaineen tai moottorin lähelle.

- Älä lisää polttoainetta, kun moottori on käynnissä.
- Varmista ennen polttoaineen lisäämistä, että moottori on jäähtynyt.
- Ennen kuin lisäät polttoainetta, avaa polttoainesäiliön korkki hitaasti ja vapauta paine varovasti.
- Älä lisää polttoainetta moottoriin sisätilassa. Jos ilmanvirtaus ei ole riittävä, tukehtuminen tai hiilimonoksidin hengittäminen voi aiheuttaa vamman tai kuoleman.
- Kiristä polttoainesäiliön korkki varovasti tulipalon vaaran vuoksi.
- Siirrä laite ennen käynnistämistä vähintään 3 metrin (10 ft) päähän paikasta, jossa täytit säiliön.
- Älä lisää säiliöön liikaa polttoainetta.
- Varmista, ettei polttoainetta pääse vuotamaan, kun liikutat laitetta tai polttoainekannua.
- Älä sijoita laitetta tai polttoainekannua paikkaan, jossa on avotulta, kipinöitä tai sytytysliekkejä. Varmista, ettei säilytyspaikassa ole avotulta.
- Käytä vain hyväksytyjä kannuja polttoaineen siirtämiseen tai säilyttämiseen.
- Tyhjennä polttoainesäiliö ennen pitkäaikaista säilytystä. Noudata paikallista polttoaineen hävittämistä koskevaa lakia.

- Puhdista laite ennen pitkäaikaista säilytystä.
- Irrota sytytystulpan johto ennen laitteen siirtämistä säilytykseen moottorin tahattoman käynnistymisen estämiseksi.

Turvaohjeet huoltoa varten



VAROITUS: Lue seuraavat varoitusohjeet ennen laitteen huoltamista.

- Tee ainoastaan tässä käyttöohjekirjassa mainitut kunnossapito- ja huoltotyöt. Jätä kaikki muut korjaus- ja huoltotyöt ammattilaisten tehtäväksi.
- Suorita tässä ohjekirjassa annetut turvallisuustarkastukset sekä huolto- ja kunnossapitotyöt säännöllisesti. Säännöllinen huolto pidentää koneen käyttöikää ja pienentää onnettomuusvaaraa. Katso ohjeet kohdasta *Huoltokaavio sivulla 151*.
- Jos turvallisuustarkastukset eivät mene läpi konetta huollettuasi, ota yhteyttä huoltoliikkeeseen. Siellä laitteesi huolletaan ja korjataan ammattimaisesti.

Asentaminen

Johdanto



VAROITUS: Ennen kuin asennat laitteen, lue turvallisuutta käsittelevä luku niin, että ymmärrät sen sisällön.



VAROITUS: Irrota sytytystulpan johto sytytystulpasta ennen laitteen asentamista.

Kahvaston asentaminen

1. Irrota kaasukahvan takana oleva ruuvi. (Kuva 26)
2. Siirrä kaasukahva kahvaston oikealle puolelle.
3. Aseta kaasukahvan takana oleva reikä ja kahvaston reikä kohdakkain.
4. Aseta ruuvi reikien läpi. Kiristä ruuvi.
5. Asenna kahvasto runkoputkeen merkittyjen nuolien väliin. Kiristä ruuvi. (Kuva 27)

Valjaiden kiinnikkeen asentaminen

1. Aseta valjaiden kiinnike runkoputkeen siten, että kiinnikkeen silmukkaosa on ylöspäin. Aseta valjaiden kiinnike runkoputken nuolien päälle.
2. Aseta kaasukahvan johto valjaiden kiinnikkeen alaosan uraan.
3. Aseta valjaiden kiinnikkeen ruuvireiät vastakkain.

4. Aseta kaksi ruuvia ruuvireikiin.
5. Kiristä ruuvit.

Terälaitteen asennus

Terälaitteen suojuksen asennus

1. Aseta terälaitteen suojus (A) runkoputkeen. (Kuva 28)
2. Aseta kannatin (B) terälaitteen suojuksen aukkoon.
3. Kiinnitä pultti (C) kiinnikkeen aukon läpi terälaitteen suojukseen.

Ruohonkerääjän asentaminen

1. Varmista, että laitteeseen on kiinnitetty terälaitteen suojus (A). Katso *Terälaitteen suojuksen asennus sivulla 148*. (Kuva 29)
2. Lukitse akseli asettamalla lukkotappi (B) reikään.
3. Aseta terä (E), tukikuppi (F) ja tukilappi (G) käyttöakselille.
4. Varmista, että jousilevy (C) tulee oikein terän keskireikään. (Kuva 30)
5. Aseta lukkomutteri (H) käyttöakselille. Pidä yhdistelmäavaimen runkoa terälaitteen suojuksen lähellä. Kiristä lukkomutteri kiertämällä yhdistelmäavainta vastapäivään. Kiristä lukkomutteri arvoon 35–50 Nm (26–36 ft/lb).
6. Irrota lukkotappi.

Siimapään asentaminen

1. Varmista, että laitteeseen on kiinnitetty terälaitteen suojuus (A). Katso *Terälaitteen suojuksen asennus sivulla 148*. (Kuva 31)
2. Varmista, että jousilevy (C) on kiinnitetty käyttöakseliin (D).

3. Lukitse akseli asettamalla lukkotappi (B) reikään.
4. Aseta siimapää (E) käyttöakselille.
5. Kiristä siimapää käyttöakseliin kiertämällä vastapäivään. (Kuva 32)
6. Irrota lukkotappi.

Toiminta

Johdanto



VAROITUS: Lue turvallisuutta käsittelevä luku niin, että ymmärrät sen sisällön, ennen laitteen käyttämistä.

Polttoaine

Tässä laitteessa on kaksitahtimoottori.



HUOMAUTUS: Vääräntyyppinen polttoaine voi vaurioittaa moottoria. Käytä bensiinin ja kaksitahtiöljyn seosta.

Valmis polttoainesekoitus

- Käytä laadukasta valmiiksi sekoitettua Husqvarna-alkylaattibensiiniä, sillä se takaa parhaan suorituskyvyn ja pidentää moottorin käyttöikää. Tällainen polttoaine sisältää tavallista polttoainetta vähemmän haitallisia kemikaaleja, mikä vähentää haitallisia pakokaasuja. Tällaisesta polttoaineesta jää vähemmän karstaa polton jälkeen, jolloin moottorin osat pysyvät puhtaampina.

Polttoaineen sekoittaminen

Bensiini



HUOMAUTUS: Älä käytä bensiiniä, jonka oktaaniluku on pienempi kuin 90 RON (87 AKI). Se voi vaurioittaa laitetta.



HUOMAUTUS: Älä käytä bensiiniä, jonka etanolipitoisuus (E10) on yli 10 prosenttia. Se voi vaurioittaa laitetta.

- Käytä aina uutta lyijytöntä bensiiniä, jonka oktaaniluku on vähintään 90 RON (87 AKI) ja etanolipitoisuus (E10) alle 10 prosenttia.
- Käytä bensiiniä, jonka oktaaniluku on suurempi, jos käytät laitetta usein jatkuvasti suurella moottorin käyntinopeudella.

Kaksitahtiöljy

- Käytä Husqvarna-kaksitahtiöljyä, sillä se takaa parhaat tulokset ja suorituskyvyn.
- Jos Husqvarna-kaksitahtiöljyä ei ole saatavilla, voidaan käyttää jotakin muuta ilmajähdytteisille

mootoreille tarkoitettua korkealaatuista kaksitahtiöljyä. Kysy huoltoliikkeestä ohjeita oikean öljyn valintaan.



HUOMAUTUS: Älä käytä vesijähdytteisille ulkolaitamootoreille tarkoitettua kaksitahtiöljyä. Älä käytä nelitahtimoottoreille tarkoitettua öljyä.

Bensiinin ja kaksitahtiöljyn sekoitus

Bensiini, litraa	Kaksitahtiöljy, litraa
	2 % (50:1)
5	0,10
10	0,20
15	0,30
20	0,40



HUOMAUTUS: Kun polttoainetta sekoitetaan pieniä määriä, pienikin mittausvirhe voi vaikuttaa sekoitussuhteeseen suuresti. Mittaa öljymäärä huolellisesti ja varmista, että seoksen suhde on oikea.

(Kuva 33)

1. Lisää puhtaaseen polttoainesäiliöön puolet bensiinin kokonaismäärästä.
2. Lisää koko öljymäärä.
3. Ravista polttoaineseast.
4. Lisää loput bensiinistä säiliöön.
5. Ravista polttoaineseast huolellisesti.



HUOMAUTUS: Sekoita korkeintaan yhden kuukauden polttoaineet kerrallaan.

Polttoaineen lisäys

- Käytä ylitäyttösuojalla varustettua polttoainekannua.
- Jos kannussa on polttoainetta, poista se ja anna kannun kuivua.

- Varmista, että polttoainesäiliön korkin alue on puhdas.
- Varmista polttoainekannua, ennen kuin lisäät polttoaineseosta polttoainesäiliöön.

Sisäänajo

- Älä käytä konetta täydellä kaasulla ilman kuormaa pitkiä aikoja ensimmäisten 10 käyttötunnin aikana.

Käynnistys ja sammutus

Tarkistus ennen aloitusta

1. Varmista, ettei laitteesta puutu osia eivätkä osat ole löysiä tai kuluneita.
2. Varmista, että kaikki mutterit, ruuvit ja pultit on kiristetty.
3. Varmista, että siimapään terät ovat ehjiä.
4. Varmista, että lukkomutteri on kiristetty. Katso *Lukkomutterin tarkistaminen sivulla 152*.
5. Varmista, ettei ilmansuodatin ole tukossa.
6. Varmista, ettei tuotteen turvalaitteissa ole vikoja.
7. Varmista, ettei tuotteessa ole polttoainevuotoja.

Valjaiden säätäminen



VAROITUS: Laite on aina kiinnitettävä kunnolla valjaisiin. Älä käytä vaurioituneita valjaita.

1. Pue valjaat päällesi.
2. Liitä valjaat laitteeseen.
3. Säädä valjaat sopivaan työasentoon.
4. Säädä sivuhihnoja niin, että laitteen paino jakautuu tasaisesti hartioille. (Kuva 34)
5. Säädä valjaat niin, että terälaitte on maanpinnan suuntaisesti.
6. Anna terälaitteen koskettaa kevyesti maata. Säädä valjaiden kiinnike niin, että laite on tasapainossa.

Huomautus: Jos ruohoterä on käytössä, sen on oltava noin 10 cm (4") maanpinnan yläpuolella.

Kylmän moottorin käynnistys

1. Paina polttoaineen ilmauspumppua 10 kertaa. (Kuva 35)
2. Vedä rikastinvipu ylös. (Kuva 36)
3. Paina laitteen runkoa maata vasten vasemmalla kädellä. (Kuva 37) Älä astu laitteen päälle. Vedä käynnistysnarun kahvaa hitaasti, kunnes tunnet vastuksen. Vedä sitten käynnistysnarun kahvaa voimakkaasti.

Huomautus: Älä vedä turvaliipaisinta moottorin käynnistykseen aikana.

4. Vedä käynnistysnarun kahvaa, kunnes moottori käynnistyy tai yrittää käynnistyä (enintään kolme vetoa). Jos moottori käynnistyy tai yrittää käynnistyä, paina rikastinvipu alas. Jatka vetämistä, kunnes moottori käynnistyy. Odota 60 sekuntia käynnistymisen jälkeen, ennen kuin vedät turvaliipaisinta.



HUOMAUTUS: Älä vedä käynnistysnarua, kun se on pysähtynyt. Älä irrota otetta käynnistysnarusta, kun se on täysin ulkona. Vapauta käynnistysnarua hitaasti. Näiden ohjeiden laiminlyönti voi aiheuttaa moottorivaurion.

Lämpimän moottorin käynnistys

1. Paina polttoaineen ilmauspumppua 10 kertaa.
2. Vedä käynnistysnarusta, kunnes moottori käynnistyy.

Moottorin käynnistäminen polttoaineen ollessa liian kuumaa

Jos laite ei käynnisty, polttoaine saattaa olla liian kuumaa.

Huomautus: Käytä aina uutta polttoainetta ja vähennä työskentelyaikaa lämpimällä säällä.

1. Aseta laite vileään paikkaan pois suorasta auringonvalosta.
2. Anna laitteen jäähtyä vähintään 20 minuutin ajan.
3. Paina polttoaineen ilmauspumppua jatkuvasti 10–15 sekunnin ajan.
4. Noudata kylmän moottorin käynnistysmenettelyä. Katso *Kylmän moottorin käynnistys sivulla 150*.

Sammuttaminen

- Sammuta moottori painamalla pysäytintä. (Kuva 21)

Huomautus: Pysäytin palaa automaattisesti lähtöasentoonsa.

Trimmerin käyttö



HUOMAUTUS: Muista hidastaa moottori joutokäyntinopeudelle aina käytön jälkeen. Pitkäaikainen käyttö täydellä kaasulla moottoria kuormittamatta voi aiheuttaa moottorivaurion.

Huomautus: Tärinän estämiseksi puhdista siimapään suojus, kun kiinnität uuden siiman. Tarkista siimapään muut osat ja puhdista tarvittaessa.

Ruohon siistiminen

1. Pidä siimapää aivan maanpinnan yläpuolella ja kallista sitä. Älä paina siimaa ruohon. (Kuva 38)
2. Lyhennä siiman pituutta noin 10–12 cm (4–4,75").
3. Pienennä moottorin käyntinopeutta, jotta kasvit eivät vahingoitu.
4. Käytä 80 % täydestä kaasusta, kun leikkaat ruohoa esineiden läheltä. (Kuva 39)

Ruohon leikkaaminen

1. Varmista, että siima on maanpinnan suuntaisena, kun leikkaat ruohoa. (Kuva 40)
2. Älä paina siimapäätä maahan. Se voi vaurioittaa laitetta.
3. Liikuta laitetta puolelta toiselle, kun leikkaat ruohoa. Käytä laitetta täydellä kaasulla. (Kuva 41)

Ruohon raivaaminen ruohoterällä

1. Ruohoterä ja ruohoveitsi ei saa käyttää puumaisten runkojen raivaukseen.
2. Ruohoterää käytetään kaiken tyyppisen pitkän tai paksun ruohon raivaukseen.
3. Ruoho niitetään edestakaisella sivuttaisiikkeellä, jossa liike oikealta vasemmalle on raivausliike ja liike vasemmalta oikealle paluuliike. Käytä leikkaamiseen terän vasenta puolta (kello 8:n ja 12:n välinen teräsektori).
4. Jos terää kallistetaan raivattaessa hieman vasemmalle, ruoho jää aumaksi, josta se on helppo kerätä pois esim. haravoitaessa.
5. Pyri työskentelemään tasaisella rytmillä. Seiso tukevassa haara-asennossa. Siirry paluuliikkeen jälkeen eteenpäin ja asetu taas tukevaan asentoon.

6. Anna tukikupin nojata kevyesti maata vasten. Se on tarkoitettu suojaamaan terää maakosketuksesta.
7. Vähennä vaaraa, että raivattava materiaali kiertyy terän ympärille, työskentelemällä aina täydellä kaasulla ja väistämällä raivattua materiaalia paluuliikkeen aikana.
8. Pysäytä moottori, irrota valjaat ja aseta raivaussaha maahan, ennen kuin alat kasata raivattua materiaalia.

Siimapää

- Varmista, että kierrat siiman tiukasti ja tasaisesti puolan ympärille tärinän vähentämiseksi.
- Käytä vain hyväksytyjä siimapäitä ja siimoja. Katso *Lisävarusteet sivulla 155*.
- Käytä oikeanpituista siimaa. Pitkä siima käyttää enemmän moottorin tehoa kuin lyhyt siima.
- Varmista, että terälaitteen suojuksessa oleva leikkain on ehjä.
- Liota siimaa vedessä kahden vuorokauden ajan, ennen kuin kiinnität sen laitteeseen. Se pidentää siiman käyttöikää.

Siiman vaihto

- (Kuva 42)
(Kuva 43)
(Kuva 44)
(Kuva 45)
(Kuva 46)
(Kuva 47)
(Kuva 48)
(Kuva 49)

Huolto

Johdanto



VAROITUS: Ennen minkäänlaisten huoltotöiden aloittamista sinun on luettava turvallisuutta käsittelevä luku niin, että ymmärrät sen sisällön.

Kaikkiin tuotteelle tehtäviin huolto- ja korjaustöihin tarvitaan erityiskoulutus. Takaamme, että tuotteemme huolletaan ja korjataan ammattimaisesti. Jos jälleenmyyjäsi ei ole huoltoliike, pyydä jälleenmyyjää neuvomaan lähin huoltoliike.

Huoltokaavio

Viikoittaiset toimenpiteet

- Puhdista ulkopinnat.
- Varmista, ettei terälaitte liiku joutokäyntinopeudella. Katso *Joutokäyntinopeuden säätö sivulla 152*.

- Tarkista kulmavaihteen rasvataso. Katso *Rasvan levitys kulmavaihteeseen sivulla 152*.
- Tarkista lukkomutteri. Katso *Lukkomutterin tarkistaminen sivulla 152*.

Kuukausittaiset toimenpiteet

- Varmista, että käynnistysköysi ja sen kahva ovat ehjiä.

Vuosihuolto

- Tarkista sytytystulppa. Katso *Sytytystulpan tarkistus sivulla 152*.
- Puhdista kaasuttimen ulkopinnat ja ympäristö.
- Puhdista jäähdytysjärjestelmä.
- Tarkista kipinäverkko. Katso *Kipinäverkon kunnossapito sivulla 152*.
- Tarkista polttoainesuodatin.
- Varmista, ettei polttoaineletku ole vaurioitunut.
- Varmista, ettei tuotteen kaapeleissa ja liitännöissä ole vikoja.

Joutokäyntinopeuden säätö

- Varmista, että ilmansuodatin on puhdas ja ilmansuodattimen kansi kiinnitetty, ennen kuin säädät joutokäyntinopeutta.
 - Säädä joutokäyntinopeus joutokäyntiruuvilla, joka on merkitty T-kirjaimella.
 - Joutokäyntinopeus on oikea, kun moottori käy tasaisesti kaikilla asennoilla. Joutokäyntinopeuden on oltava pienempi kuin käyntinopeuden, jolla terälaite alkaa pyöriä.
1. Kierrä joutokäyntiruuvia myötäpäivään, kunnes terälaite alkaa pyöriä. (Kuva 50)
 2. Kierrä joutokäyntiruuvia vastapäivään, kunnes terälaite pysähtyy.

Kipinäverkon kunnossapito

Puhdista kipinäverkko teräsharjalla.
(Kuva 51)

Jäähdytysjärjestelmän puhdistus

Puhdista jäähdytysjärjestelmän osat harjalla.
(Kuva 52)

Sytytystulpan tarkistus



HUOMAUTUS: Käytä suositeltua sytytystulppaa. Varmista, että uusi osa on samanlainen kuin valmistajan toimittama osa. Väärä sytytystulppa voi aiheuttaa laiteaurion.

1. Tarkista sytytystulppa seuraavissa tilanteissa:
 - a) Moottorin teho on heikko.
 - b) Moottoria ei ole helppo käynnistää.
 - c) Moottori ei toimi oikein joutokäyntinopeudella.
2. Jos moottoria ei ole helppo käynnistää tai käyttää, tarkista onko sytytystulpassa ylimääräistä materiaalia. Ehkäise ylimääräisen materiaalin joutuminen sytytystulpan elektrodeihin seuraavasti:
 - a) Varmista, että joutokäyntinopeus on säädetty oikein.
 - b) Varmista, että polttoaineseos on oikea.
 - c) Varmista, että ilmansuodatin on puhdas.
3. Puhdista sytytystulppa, jos se on likainen. Tarkista, että kärkiväli on oikea. (Kuva 53)
4. Vaihda sytytystulppa tarvittaessa.

Ilmansuodattimen kunnossapito

Ilmansuodattimen puhdistaminen

1. Irrota ilmansuodattimen kansi ja ilmansuodatin.
(Kuva 54)

2. Pese ilmansuodatin lämpimällä saippuavedellä. Varmista ennen asentamista, että ilmansuodatin on kuiva.
3. Vaihda ilmansuodatin, jos se on liian likainen, eikä sitä saa täysin puhtaaksi. Vaurioitunut ilmansuodatin on aina vaihdettava.
4. Jos laitteessa on vaahtokumi-ilmansuodatin, levitä ilmansuodatinöljyä. Levitä ilmansuodatinöljyä vain vaahtokumisuodattimeen. Älä levitä öljyä huopasuodattimeen.

Ilmansuodatinöljyn levitys ilmansuodattimeen



HUOMAUTUS: Käytä vaahtokumi-ilmansuodattimissa aina erityistä ilmansuodatinöljyä. Älä käytä muita öljytyyppejä.



VAROITUS: Varo, ettei iholle pääse öljyä.

1. Irrota ilmansuodattimen kansi ja ilmansuodatin.
(Kuva 55)
2. Siirrä ilmansuodatin muovipussiin.
3. Kaada ilmansuodatinöljyä muovipussiin. (Kuva 56)
4. Painele muovipussia, jotta öljy levittyy tasaisesti koko ilmansuodattimeen.
5. Paina pussissa olevaa ilmansuodatinta ylimääräisen ilmansuodatinöljyn poistamiseksi. Ota ilmansuodatin pois pussista.
6. Asenna ilmansuodatin.

Rasvan levitys kulmavaihteeseen

Varmista, että 3/4 kulmavaihteesta on täytetty rasvalla.
(Kuva 57)

Lukkomutterin tarkistaminen



HUOMAUTUS: Vaihda lukkomutteri joka kymmenennellä käyttökerralla.

1. Kiristä lukkomutteri kiertämällä vastapäivään. Irrota lukkomutteri kiertämällä myötäpäivään. (Kuva 58)
2. Varmista, ettei pysty kääntämään lukkomutterin nailonlukitusta käsin. Nailonlukituksen vastuksen on oltava vähintään 1,5 Nm (1,1 ft/lb).
3. Jos vastus on vähimmäisrajan alapuolella, kiristä lukkomutteri arvoon 35–50 Nm (26–36 ft/lb).



HUOMAUTUS: Jos lukkomutteri on liian kireällä, kierteet voivat vahingoittua.

Ruohoterän teroittaminen



VAROITUS: Pysäytä moottori. Käytä suojakäsineitä.

- Katso ruohoterän oikea teroitus terälaitteen mukana tulleista ohjeista.

- Teroita kaikki reunat tasaisesti, jotta tasapaino säilyy.
- Käytä yksihakkuista lattaviilaa. (Kuva 59)



VAROITUS: Hävitä aina vahingoittunut terä. Älä yritä suoristaa taipunutta tai vääntynyttä terää ja käytä sitä uudelleen.

Vianmääritys

Moottori ei käynnisty

Tarkistus	Mahdollinen syy	Toimenpide
Pysäytin	Pysäytin on pysäytysasennossa.	Aseta pysäytin käynnistysasentoon.
KytKentäkynnet	KytKentäkynnet eivät pääse liikkumaan vapaasti.	Irrota käynnistimen kansi ja puhdista kytKentäkynsien ympäristö.
		Anna huoltotyö valtuutetun huoltoliikkeen tehtäväksi.
Polttoainesäiliö	Väärä polttoainetyyppi.	Huuhtelee polttoainesäiliö ja täytä oikealla polttoaineella.
Sytytystulppa	Sytytystulppa on likainen tai märkä.	Varmista, että sytytystulppa on kuiva ja puhdas.
	Sytytystulpan kärkiväli on virheellinen.	Puhdista sytytystulppa. Tarkista, että kärkiväli on oikea. Varmista, että sytytystulpassa on häiriösuodatin.
	Sytytystulppa on löysä.	Tarkasta oikea kärkiväli teknisistä tiedoista. Kiristä sytytystulppa.

Moottorin käynnistyy mutta sammuu uudelleen

Tarkistus	Mahdollinen syy	Toimenpide
Polttoainesäiliö	Väärä polttoainetyyppi.	Tyhjennä polttoainesäiliö ja täytä oikealla polttoaineella.
Ilmansuodatin	Ilmansuodatin on tukossa.	Puhdista ilmansuodatin.

Kuljettaminen, säilyttäminen ja hävittäminen

Kuljetus ja säilytys

- Anna laitteen jäähtyä ennen kuljetusta tai säilytystä.
- Irrota sytytystulpan suojus ennen pitkäaikaista säilytystä.

- Kiinnitä laite kuljetuksen ajaksi. Varmista, ettei se pääse liikkumaan.
- Varmista, ettei kuljetuksen ja säilytyksen aikana ole polttoainevuotojen, polttoainehöyryjen, kipinöiden tai liekkien vaaraa.

- Kiinnitä kuljetussuojus kuljetuksen ja säilytyksen ajaksi.

- Puhdista ja huolla laite ennen pitkäaikaista säilytystä.

Tekniset tiedot

Tekniset tiedot

	325R
	A05328CBHV
Moottori	
Sylinteritilavuus, cm ³	27,6
Joutokäyntinopeus, r/min	2 800–3 200
Suositeltu enimmäisnopeus, r/min	8 000
ISO 8893 -standardin mukainen enimmäisteho, kW/hv – r/min	0,9/1,2 – 8 000
Katalysaattoriäänenvaimennin	Kyllä
Käyttöakselin pyörimisnopeus, r/min	7 200
Sytytysjärjestelmä	
Sytytystulppa	Husqvarna HQT-4
Kärkiväli, mm	0,5
Polttoainejärjestelmä	
Polttoainesäiliön tilavuus, l/cm ³	0,343/343
Tuotteen mitat	
Paino, kg	5,5
Melupäästöt²⁸	
Äänentehotaso, mitattu, ruuhoterä käytössä, dB (A)	108
Äänentehotaso, mitattu, siimapäää käytössä, dB (A)	110
Äänentehotaso, taattu (L _{WA}), ruuhoterä käytössä, dB(A)	112
Äänentehotaso, taattu (L _{WA}), siimapäää käytössä, dB(A)	114
Äänitasot²⁹	
Äänenpainetaso käyttäjän korvan tasalla, ruuhoterä käytössä dB(A)	96
Äänenpainetaso käyttäjän korvan tasalla, siimapäää käytössä, dB(A)	95
Tärinätasot³⁰	

²⁸ Melupäästöt ympäristöön äänentehona (L_{WA}) EY-direktiivin 2000/14/EY mukaisesti mitattuna. Laitteen ilmoitettu äänentehotaso on mitattu käyttäen alkuperäistä terälaitetta, joka antaa suurimman äänentehotason. Taa-tun ja mitatun äänentehon erona on se, että taattu äänenteho sisältää myös mitatun tuloksen hajonnan ja vaihtelun saman mallin eri laitteiden välillä direktiivin 2000/14/EY mukaisesti.

²⁹ Ilmoitetuilla tiedoilla vastaavasta koneen äänenpainetasosta tyyppillinen tilastollinen hajonta (vakiopoikkeama) on 1 dB (A).

³⁰ Ilmoitetuilla tiedoilla vastaavasta tärinätasosta tyyppillinen tilastollinen hajonta (vakiopoikkeama) on 1 m/s².

	325R A05328CBHV
Vastaava värinätaso (ahv, eq), ruohoterä käytössä, vasen kahva, m/s ²	5,1
Vastaava värinätaso (ahv, eq), ruohoterä käytössä, oikea kahva, m/s ²	5,7
Vastaava värinätaso (ahv, eq), siimapää käytössä, vasen kahva, m/s ²	4,1
Vastaava värinätaso (ahv, eq), siimapää käytössä, oikea kahva, m/s ²	4,9

Lisävarusteet

Lisävarusteet

Hyväksytyt lisävarusteet	Tyyppi	Terälaitteen suojus
Kierreakseli	M10L	
Siimapää	T35, 2,4 mm	588 11 79-01
Ruohoterä	Ruoho 255-4 (Ø 250)	588 11 79-01

EY-vaatimustenmukaisuusvakuutus

EU:n vaatimustenmukaisuusvakuutus

Husqvarna AB, SE 561 82 Huskvarna, RUOTSI,
vakuuttaa täten, että oheinen tuote:

Kuvaus	Bensiinikäyttöinen trimmeri/ruohoraivuri
Tuotemerkki	Husqvarna
Alusta / Tyyppi / Malli	AlustaA05328CBHV, edustaa mallia 325R.
Erä	Sarjanumero 2018 alkaen

vastaa täysin seuraavien EU:n direktiivien ja asetusten vaatimuksia:

Direktiivi/asetus	Kuvaus
2006/42/EY	Konedirektiivi
2014/30/EU	EMC-direktiivi
2000/14/EY	Melupäästödirektiivi
2011/65/EU	Tiettyjen vaarallisten aineiden käytön rajoittamisesta annettu direktiivi

Asiassa sovelletaan seuraavia yhdenmukaistettuja standardeja ja/tai teknisiä määräyksiä: EN ISO 12100, EN ISO 11806-1, CISPR 12, ISO 14982, EN 50581:2012 .

Ilmoitetut meluarvot on annettu direktiivin 2000/14/EY liitteen V mukaisesti tämän käyttöohjekirjan teknisissä tiedoissa sekä allekirjoitetussa EY:n vaatimustenmukaisuusvakuutuksessa.

TÜV Rheinland N.A. on suorittanut Husqvarna AB:lle vapaaehtoisen tyyppitarkastuksen ja tuottanut näin Euroopan parlamentin ja neuvoston konedirektiivin 2006/42/EY mukaisen sertifikaatin.

Allekirjoitetussa EY:n vaatimustenmukaisuusvakuutuksessa ilmoitettu sertifikaatti pätee kaikkiin valmistuspaikkoihin ja -maihin tuotteessa ilmoitettujen tietojen mukaisesti.

Oheinen bensiinikäyttöinen trimmeri/ruohoraivuri on tarkistetun mallikappaleen mukainen.

Sommaire

Introduction.....	157	Dépannage.....	168
Sécurité.....	158	Transport, entreposage et mise au rebut.....	169
Montage.....	163	Caractéristiques techniques.....	169
Utilisation.....	164	Accessoires.....	171
Maintenance.....	167	Déclaration de conformité CE.....	172

Introduction

Manuel de l'opérateur

La langue d'origine du présent manuel d'utilisation est l'anglais. Les manuels d'utilisation disponibles dans d'autres langues sont des traductions de l'anglais.

Utilisation prévue

Utilisez le produit avec une lame à herbe ou une tête de désherbage pour couper différents types de végétation.

Aperçu du produit

(Fig. 1)

1. Tête de désherbage
2. Bouchon de remplissage en graisse
3. Renvoi d'angle
4. Protection pour l'équipement de coupe
5. Arbre
6. Bouton d'arrêt
7. Gâchette d'accélération
8. Blocage de la gâchette d'accélération
9. Guidon
10. Attache du harnais
11. Corps du lanceur
12. Chapeau de bougie, bougie
13. Poignée du câble du démarreur
14. Réservoir de carburant
15. Couvercle de filtre à air
16. Poire de la pompe à carburant
17. Starter
18. Réglage de poignée
19. Câble d'accélération
20. Bouton de ralenti élevé
21. Harnais
22. Clé mixte
23. Manuel de l'opérateur
24. Protection de transport
25. Lame
26. Bol de garde au sol
27. Bride de support
28. Contre-écrou

Remarque: La législation nationale peut imposer des limites à l'utilisation du produit.

29. Toc d'entraînement

30. Goupille d'arrêt

31. Clé hexagonale

Symboles concernant le produit

(Fig. 2) **AVERTISSEMENT !** Ce produit est dangereux. L'utilisateur ou les personnes situées à proximité peuvent subir des blessures graves ou mortelles si le produit n'est pas utilisé correctement et avec précaution. Pour éviter de blesser l'utilisateur ou d'autres personnes, lisez et respectez toutes les consignes de sécurité du manuel d'utilisation.

(Fig. 3) Veuillez lire attentivement le manuel d'utilisation et assurez-vous de bien comprendre les instructions avant utilisation.

(Fig. 4) Utilisez un casque de protection dans les endroits où des objets peuvent tomber sur vous. Utilisez des protège-oreilles agréés. Utilisez des protections pour les yeux homologués.

(Fig. 5) Utilisez des gants de protection homologués.

(Fig. 6) Utilisez des bottes antidérapantes robustes.

(Fig. 7) Les flèches indiquent les limites de la position de la poignée.

(Fig. 8) Le produit peut entraîner la projection d'objets, ce qui peut causer des blessures.

- (Fig. 9) Régime maximal de l'arbre de sortie.
- (Fig. 10) Restez à une distance minimale de 15 m (50 ft) des personnes et des animaux pendant l'utilisation du produit.
- (Fig. 11) Risque de rebond si l'équipement de coupe touche un objet qu'il ne coupe pas immédiatement. Le produit peut couper des parties du corps. Restez à une distance minimale de 15 m (50 ft) des personnes et des animaux pendant l'utilisation du produit.
- (Fig. 12) Poire de la pompe à carburant.
- (Fig. 13) Starter.
- (Fig. 14) Maintenez toutes les parties de votre corps à distance des surfaces chaudes et brûlantes.
- (Fig. 15) Émissions sonores dans l'environnement conformes à la directive de la Communauté européenne. Les émissions du produit sont indiquées au chapitre Caractéristiques techniques et sur les autocollants.
- (Fig. 16) Le produit est conforme aux directives CE en vigueur.
- (Fig. 17) Le produit est conforme aux directives EAC en vigueur.

La plaque signalétique indique le numéro de série. **yyyy** est l'année de production, **ww** est la semaine de production et **xxxxx** est le numéro de série.

yyyywwxxxxx

Remarque: Les autres symboles/autocollants présents sur le produit concernent des exigences de certification spécifiques à d'autres zones commerciales.

Responsabilité

Conformément à la loi sur la responsabilité du fait des produits, nous déclinons toute responsabilité pour tout dommage causé par notre produit si :

- le produit n'est pas correctement réparé ;
- le produit est réparé avec des pièces qui ne proviennent pas du fabricant ou qui ne sont pas homologuées par le fabricant ;
- le produit est équipé d'un accessoire qui ne provient pas du fabricant ou qui n'est pas homologué par le fabricant.
- le produit n'est pas réparé par un centre d'entretien agréé ou par une autorité homologuée.

UE V



AVERTISSEMENT: toute altération du moteur a pour effet d'annuler l'homologation de type UE de ce produit.

Sécurité

Définitions de sécurité

Des avertissements, des recommandations et des remarques sont utilisés pour souligner des parties spécialement importantes du manuel.



AVERTISSEMENT: Symbole utilisé en cas de risque de blessures ou de mort pour l'opérateur ou les personnes à proximité si les instructions du manuel ne sont pas respectées.



REMARQUE: Symbole utilisé en cas de risque de dommages pour le produit, d'autres matériaux ou les environs si les instructions du manuel ne sont pas respectées.

Remarque: Symbole utilisé pour donner des informations supplémentaires pour une situation donnée.

Précautions relatives aux vibrations

Ce produit est destiné à une utilisation occasionnelle uniquement. L'utilisation quotidienne ou régulière du produit peut provoquer le syndrome des « doigts blancs » ou entraîner des problèmes médicaux équivalents causés par les vibrations. Examinez l'état de vos mains et de vos doigts si vous utilisez le produit quotidiennement ou régulièrement. Si vos mains ou vos doigts présentent une décoloration, sont douloureux ou engourdis, arrêtez de travailler et contactez immédiatement un médecin.

Instructions générales de sécurité



AVERTISSEMENT: Lisez les instructions qui suivent avant d'utiliser le produit.

- Utilisez le produit correctement. Une utilisation inappropriée peut causer des blessures graves, voire mortelles. Utilisez uniquement le produit pour les tâches décrites dans le présent manuel. N'utilisez pas ce produit pour d'autres travaux.
- Respectez les instructions de ce manuel. Respectez les symboles et les instructions de sécurité. Le non-respect des instructions et des symboles par l'opérateur peut causer des blessures graves, voire mortelles, ou des dommages.
- Ne jetez pas ce manuel. Utilisez les instructions pour assembler, utiliser et conserver votre produit en bon état. Utilisez les instructions pour l'installation appropriée des équipements et accessoires. Utilisez uniquement des équipements et accessoires homologués.
- N'utilisez pas de produit endommagé. Respectez le schéma d'entretien. Effectuez uniquement les travaux d'entretien dont les instructions sont comprises dans ce manuel. Tous les autres travaux d'entretien doivent être effectués par un centre d'entretien agréé.
- Ce manuel ne peut pas inclure toutes les situations qui peuvent se produire lorsque vous utilisez le produit. Soyez prudent et utilisez votre bon sens. N'utilisez pas ou n'effectuez pas de travaux d'entretien sur le produit si vous n'êtes pas sûr de la situation. Contactez un spécialiste du produit, votre revendeur, votre agent d'entretien ou centre d'entretien agréé pour plus d'informations.
- Déconnectez la bougie avant d'assembler, de stocker ou d'effectuer l'entretien du produit.
- N'utilisez pas le produit si ses caractéristiques initiales ont été changées. Ne remplacez pas une pièce du produit sans l'approbation du fabricant. Utilisez uniquement des pièces approuvées par le fabricant. Un entretien inapproprié peut causer des blessures graves, voire mortelles.
- Ne respirez pas les fumées provenant du moteur. À long terme, l'inhalation de gaz d'échappement dégagés par le moteur constitue un risque pour la santé.

- Ne démarrez pas le produit dans un local clos ou à proximité de matériaux inflammables. Les gaz d'échappement sont très chauds et peuvent contenir une étincelle pouvant provoquer un incendie. Un débit d'air insuffisant peut causer des blessures graves, voire mortelles dues à une asphyxie ou au monoxyde de carbone.
- Lorsque vous utilisez ce produit, le moteur crée un champ électromagnétique. Le champ électromagnétique peut endommager les implants médicaux. Consultez votre médecin et le fabricant de votre implant avant d'utiliser ce produit.
- Ne laissez pas un enfant utiliser le produit. Ne laissez personne utiliser la machine sans en connaître les instructions d'utilisation.
- Assurez-vous de toujours surveiller une personne aux capacités physiques ou mentales réduites qui utilise le produit. Un adulte responsable doit être présent à tout moment.
- Stockez le produit dans une zone dont l'accès est fermé aux enfants et aux personnes non autorisées.
- Le produit peut projeter des objets et causer des blessures. Respectez les consignes de sécurité afin de réduire le risque de blessures graves ou mortelles.
- Ne vous éloignez pas du produit lorsque le moteur est allumé.
- L'opérateur du produit est tenu responsable en cas d'accident.
- Assurez-vous que les pièces ne soient pas endommagées avant d'utiliser le produit.
- Assurez-vous de maintenir une distance minimum de 15 m (50 ft) entre vous et les autres personnes ou animaux avant d'utiliser le produit. Assurez-vous que les personnes présentes dans une zone adjacente sachent que vous allez utiliser le produit.
- Référez-vous aux lois nationales ou locales. Elles peuvent empêcher ou limiter le fonctionnement du produit dans certaines conditions.
- N'utilisez pas le produit si vous êtes fatigué ou sous l'emprise d'alcool, de drogues ou de médicaments. Ces facteurs sont susceptibles d'affecter votre vue, votre vigilance, votre coordination ou votre jugement.

Consignes de sécurité pour l'assemblage



AVERTISSEMENT: Lisez les instructions qui suivent avant d'utiliser le produit.

- Retirez le chapeau de bougie de la bougie d'allumage avant de monter le produit.
- Utilisez des gants de protection homologués.
- Assurez-vous d'assembler correctement le capot et l'arbre avant de démarrer le moteur.
- Le disque d'entraînement et la bride de support doivent s'engager correctement dans le trou central de l'équipement de coupe. Un équipement de coupe

qui n'est pas correctement fixé peut causer des blessures graves, voire mortelles à l'utilisateur ou d'autres personnes.

- Pour faire fonctionner le produit en toute sécurité et éviter toute blessure à l'opérateur ou à d'autres personnes, le produit doit toujours être correctement fixé au harnais.

Consignes de sécurité pour le fonctionnement



AVERTISSEMENT: Lisez les instructions qui suivent avant d'utiliser le produit.

- Assurez-vous que le produit est complètement assemblé avant de l'utiliser.
 - Assurez-vous de démarrer le produit à 3 m (10 ft) de l'endroit où vous avez rempli le réservoir de carburant. Placez le produit sur une surface plane. Vérifiez que l'équipement de coupe ne touche pas le sol ou tout autre objet.
 - Le produit peut entraîner la projection d'objets, ce qui peut causer des lésions oculaires. Utilisez toujours des protections pour les yeux homologuées lorsque vous faites fonctionner le produit.
 - Soyez prudent, un enfant peut se trouver à proximité du produit durant son fonctionnement sans que vous en ayez connaissance.
 - N'utilisez pas le produit si des personnes sont présentes dans la zone de travail. Arrêtez le produit si une personne pénètre dans la zone de travail.
 - Assurez-vous de toujours garder le contrôle du produit.
 - N'utilisez pas ce produit si vous ne pouvez pas être secouru en cas d'accident. Assurez-vous que d'autres personnes sachent que vous allez utiliser le produit avant de commencer.
 - Ne tournez pas avec le produit avant de vous assurer qu'aucune personne ni aucun animal ne se trouvent dans la zone de sécurité.
 - Retirez tous les matériaux indésirables de la zone de travail avant de commencer. Si l'équipement de coupe heurte un objet, l'objet peut être projeté et causer des blessures ou des dommages. Les matériaux indésirables peuvent s'enrouler autour de l'équipement de coupe et causer des dommages.
 - N'utilisez pas le produit par mauvais temps (brouillard, pluie, vents violents, risque d'éclairs ou autres conditions climatiques). Le mauvais temps peut créer des conditions de travail dangereuses (telles que des surfaces glissantes).
 - Assurez-vous que vous pouvez vous déplacer librement et travailler dans une position stable.
- (Fig. 18)
- Assurez-vous que vous ne pouvez pas tomber lorsque vous utilisez le produit. Ne vous inclinez pas lorsque vous utilisez le produit.

- Tenez toujours le produit avec vos deux mains. Tenez l'appareil du côté droit du corps.
- (Fig. 19)
- Utilisez le produit avec l'équipement de coupe sous le niveau de votre taille.
 - Si la commande du starter est sur la position de starter lorsque le moteur démarre, l'équipement de coupe commence à tourner.
 - Ne touchez pas le renvoi d'angle après l'arrêt du moteur. Le renvoi d'angle est chaud après l'arrêt du moteur. Les zones de chaleur peuvent causer des blessures.
 - Arrêtez le moteur avant de déplacer le produit.
 - Ne posez pas le produit lorsque le moteur est allumé.
 - Avant de retirer les matériaux indésirables du produit, arrêtez le moteur et attendez jusqu'à l'arrêt de l'équipement de coupe. Attendez l'arrêt de l'équipement de coupe avant de retirer la matière coupée.

Équipement de protection individuelle



AVERTISSEMENT: Lisez les instructions qui suivent avant d'utiliser le produit.

- Utilisez toujours un équipement de protection individuel approprié lorsque vous faites fonctionner le produit. L'équipement de protection individuel n'empêche pas le risque de blessures. L'équipement de protection individuel diminue la gravité des blessures en cas d'accident.
- Utilisez toujours des protections pour les yeux homologuées pendant que vous faites fonctionner le produit.
- N'utilisez pas le produit pieds nus ou avec des chaussures ouvertes. Utilisez toujours des bottes antidérapantes robustes.
- Utilisez des pantalons longs et épais.
- Si nécessaire, utilisez des gants de protection homologués.
- Utilisez un casque s'il est possible que des objets tombent sur votre tête.
- Utilisez toujours des protections auditives homologuées lorsque vous faites fonctionner le produit. Une exposition au bruit sur de longues périodes peut provoquer une perte d'audition.
- Assurez-vous de disposer d'une trousse de premiers soins à proximité.

Dispositifs de sécurité sur le produit



AVERTISSEMENT: Lisez les instructions qui suivent avant d'utiliser le produit.

- N'utilisez pas un produit avec des dispositifs de sécurité défectueux.

- Contrôlez les dispositifs de sécurité régulièrement. Reportez-vous à la section *Aperçu du produit à la page 157*.
- Si les dispositifs de sécurité sont défectueux, parlez-en à votre atelier d'entretien Husqvarna.

Blocage de la gâchette d'accélération

Le blocage de la gâchette d'accélération verrouille la gâchette d'accélération.
(Fig. 20)

Appuyez sur le blocage de la gâchette d'accélération (A) pour relâcher la gâchette d'accélération (B). Lorsque vous relâchez la poignée, le blocage de la gâchette d'accélération et la gâchette d'accélération reviennent à leurs positions initiales.

1. Assurez-vous que la gâchette d'accélération (B) est verrouillée en position de ralenti lorsque vous relâchez le blocage de la gâchette d'accélération (A).
2. Appuyez sur le blocage de la gâchette d'accélération (A) et assurez-vous qu'il retourne à sa position initiale lorsque vous le relâchez.
3. Appuyez sur la gâchette d'accélération (B) et assurez-vous qu'elle retourne à sa position initiale lorsque vous la relâchez.

Démarrez le moteur, puis faites-le tourner à plein régime. Relâchez la gâchette d'accélération et vérifiez si l'équipement de coupe s'arrête. Si l'équipement de coupe tourne avec la gâchette en position de ralenti, vérifiez la vis de réglage du carburateur.

Bouton d'arrêt

Démarrez le moteur. Assurez-vous que le moteur s'arrête lorsque vous mettez le bouton d'arrêt en position stop.

(Fig. 21)

Protection pour l'équipement de coupe

La protection de l'équipement de coupe protège l'opérateur des projections d'objets.
(Fig. 22)

Vérifiez la protection pour l'équipement de coupe afin de détecter d'éventuels dommages et remplacez-la si elle est endommagée. Utilisez uniquement la protection homologuée pour l'équipement de coupe.

Silencieux

- N'utilisez pas un moteur dont le silencieux est endommagé. Un silencieux endommagé augmente le niveau sonore et le risque d'incendie. Gardez un extincteur à proximité.
- Vérifiez régulièrement que le silencieux est bien fixé sur le produit.
- Ne touchez pas le moteur ni le silencieux quand le moteur est allumé. Ne touchez pas le moteur ni le silencieux peu après l'arrêt du moteur. Les surfaces chaudes peuvent causer des blessures.

- La chaleur du silencieux peut provoquer un incendie. Soyez prudent si vous utilisez le produit à proximité de liquides inflammables ou de fumées.
- Ne touchez pas les pièces à l'intérieur du silencieux si celui-ci est endommagé. Les pièces peuvent contenir certains produits chimiques cancérigènes.

Contre-écrou

Le contre-écrou est utilisé pour bloquer certains types d'équipement de coupe.

(Fig. 23)

Lorsque vous posez le contre-écrou, serrez-le dans le sens opposé à celui du fonctionnement de l'équipement de coupe.

Fonction de desserrage du harnais



AVERTISSEMENT: N'utilisez pas le harnais si la fonction de desserrage est défectueuse. Assurez-vous que la fonction de desserrage du harnais fonctionne correctement lorsque vous réglez le produit.

La fonction de desserrage du harnais se trouve à l'avant du produit. Les sangles du harnais doivent toujours rester positionnées correctement.

(Fig. 24)

En cas d'urgence, la fonction de desserrage du harnais vous permet de vous dégager du produit en toute sécurité.

Équipement de coupe



AVERTISSEMENT: Lisez les instructions qui suivent avant d'utiliser le produit.

- Effectuez un entretien régulier. Laissez un centre d'entretien agréé régulièrement examiner l'équipement de coupe pour effectuer des réglages ou des réparations.
 - Les performances de l'équipement de coupe s'améliorent.
 - La durée de vie de l'équipement de coupe augmente.
 - Le risque d'accident diminue.
- Utilisez uniquement la protection homologuée pour l'équipement de coupe. Pour plus d'informations, consultez *Accessoires à la page 171*.
- N'utilisez pas un équipement de coupe endommagé.

Lames et couteaux à herbe

- Utilisez le produit conjointement à une lame à herbe homologuée. N'utilisez pas de lame à herbe sans avoir posé correctement toutes les pièces nécessaires. Assurez-vous que l'installation est effectuée correctement et que les bonnes pièces sont utilisées. Une installation incorrecte peut

provoquer l'expulsion de la lame et blesser gravement l'utilisateur ou les personnes se trouvant à proximité.

- Portez des gants de protection lorsque vous manipulez ou que vous procédez à l'entretien de la lame.
- Portez un casque lorsque vous utilisez un produit comportant une lame à herbe.
- Les lames et couteaux à herbe sont utilisés pour la coupe de l'herbe épaisse.
- Une lame à herbe peut provoquer des blessures alors qu'elle continue à tourner après l'arrêt du moteur ou après le relâchement de la gâchette d'accélération. Assurez-vous que la lame à herbe a complètement cessé de tourner avant toute opération de maintenance.
- Arrêtez le moteur avant d'entamer des travaux sur l'équipement de coupe. Assurez-vous que l'équipement de coupe s'arrête complètement. Débranchez le câble de la bougie.
- Utilisez uniquement un équipement de coupe homologué ou une lame correctement affûtée.
- Maintenez les dents de la lame correctement affûtées.

(Fig. 25)

- N'utilisez pas un équipement de coupe endommagé.
- Fixez la protection de transport sur la lame à herbe lorsque vous transportez ou rangez le produit.

Rebond de la lame

- Un rebond est un mouvement brusque du produit sur le côté, vers l'avant ou vers l'arrière. Un rebond se produit lorsque la lame à herbe ou la lame d'éclaircissage heurte un objet qui ne peut pas être coupé. Dans les zones où il n'est pas facile de voir le matériau à couper, le risque de rebond est plus élevé.
- Lorsqu'un rebond se produit, il est probable que le produit ou que l'opérateur s'éloigne de son emplacement initial. Une lame qui se déplace peut heurter les personnes aux alentours et risque ainsi de les blesser.
- Si une lame est courbée, présente des fissures, est cassée ou endommagée, mettez-la au rebut.
- Utilisez une lame affûtée. Le risque de rebond est plus élevé lorsque la lame n'est pas affûtée.

Sécurité carburant



AVERTISSEMENT: Lisez les instructions qui suivent avant d'utiliser le produit.

- Ne mélangez pas le carburant à l'intérieur ou à proximité d'une source de chaleur.
- Ne démarrez pas le produit si du carburant ou de l'huile moteur a été renversé(e) sur le produit. Essayez le carburant/l'huile et attendez que le

produit sèche. Essayez le carburant déversé sur le produit.

- Si vous avez renversé du carburant sur vos vêtements, changez de vêtements immédiatement.
- Évitez tout contact de la peau avec le carburant. Le carburant peut causer des blessures. Si votre peau entre en contact avec le carburant, lavez les parties qui ont été en contact avec de l'eau et du savon.
- Ne démarrez pas le moteur si vous avez renversé de l'huile ou du carburant sur le produit ou sur vous.
- Ne démarrez pas le produit s'il y a une fuite de moteur. Vérifiez régulièrement s'il y a des fuites de moteur.
- Faites attention avec le carburant. Le carburant est inflammable et ses vapeurs sont explosives. Il peut causer des blessures graves, voire mortelles.
- Ne respirez pas les vapeurs de carburant, elles peuvent causer des blessures. Assurez-vous que la ventilation est suffisante.
- Ne fumez pas à proximité du carburant ou du moteur.
- Ne mettez pas d'objets chauds à proximité du carburant ou du moteur.
- N'ajoutez pas de carburant lorsque le moteur est allumé.
- Assurez-vous que le moteur est froid avant de faire le plein de carburant.
- Avant de faire le plein, ouvrez le bouchon du réservoir de carburant lentement et relâchez la pression avec précaution.
- N'ajoutez pas de carburant au moteur dans un espace intérieur. Un débit d'air insuffisant peut causer des blessures graves, voire mortelles dues à une asphyxie ou au monoxyde de carbone.
- Serrez le bouton du réservoir de carburant avec précaution afin d'éviter tout risque d'incendie.
- Déplacez le produit à un minimum de 3 m (10 ft) de l'endroit où a été fait le plein de carburant avant de démarrer le produit.
- Ne remplissez pas trop le réservoir de carburant.
- Assurez-vous qu'aucune fuite ne peut se produire lorsque vous déplacez le produit ou le bidon de carburant.
- Ne placez pas le produit ni le bidon de carburant dans un espace où il y a une flamme nue, des étincelles ou une veilleuse d'allumage. Assurez-vous qu'il n'y a pas de flamme nue dans le lieu de stockage.
- Utilisez uniquement des récipients homologués pour le transport et le stockage de carburant.
- Avant de remiser le produit pour une période prolongée, videz le réservoir de carburant. Respectez la législation locale sur les lieux d'élimination du carburant.
- Nettoyez le produit avant de le remiser pour une période prolongée.

- Retirez la bougie avant de remiser le produit afin de s'assurer que le moteur ne démarre pas par inadvertance.

Consignes de sécurité pour l'entretien



AVERTISSEMENT: Lisez les instructions qui suivent avant d'effectuer l'entretien du produit.

- Effectuez uniquement les travaux de maintenance et d'entretien décrits dans ce manuel d'utilisation. Laissez le personnel d'entretien professionnel effectuer tous les autres travaux d'entretien et de réparation.

- Effectuez régulièrement les contrôles de sécurité et appliquez les instructions de maintenance et d'entretien indiqués dans ce manuel. Une maintenance régulière augmente la durée de vie utile du produit et réduit le risque d'accident. Reportez-vous à la section *Calendrier de maintenance à la page 167* pour connaître les instructions.
- Si les contrôles de sécurité décrits dans ce manuel d'utilisation ne sont pas approuvés après que vous avez effectué les travaux de maintenance, contactez votre atelier d'entretien. Nous garantissons la disponibilité d'un service de réparation et d'entretien professionnel pour votre produit.

Montage

Introduction



AVERTISSEMENT: Avant de monter le produit, vous devez lire et comprendre le chapitre sur la sécurité.



AVERTISSEMENT: Débranchez le câble d'allumage de la bougie avant de monter le produit.

Pour monter le guidon

- Déposez la vis située derrière la poignée d'accélération. (Fig. 26)
- Déplacez la poignée d'accélération vers le côté droit du guidon.
- Alignez le trou de fixation de la poignée sur celui du guidon.
- Faites passer la vis dans les trous. Serrez la vis.
- Fixez le guidon entre les flèches situées sur l'arbre. Serrez la vis. (Fig. 27)

Fixation de l'attache du harnais

- Placez l'attache du harnais sur l'arbre avec la boucle de l'attache du faisceau vers le haut. Placez l'attache du harnais au-dessus des flèches sur l'arbre.
- Placez le câble d'accélération dans la rainure de l'attache du harnais en bas.
- Alignez les trous de vis de l'attache du harnais.
- Fixez deux vis dans les trous de vis.
- Serrez les vis.

Pour monter l'équipement de coupe

Montage de la protection de l'accessoire de coupe

- Placez la protection de l'équipement de coupe (A) contre l'arbre. (Fig. 28)
- Placez le support (B) dans la fente située sur la protection de l'équipement de coupe.
- Fixez le boulon (C) par le trou du support à la protection de l'équipement de coupe.

Montage de la lame à herbe

- Assurez-vous que la protection de l'équipement de coupe (A) est fixée sur le produit. Reportez-vous à la section *Montage de la protection de l'accessoire de coupe à la page 163*. (Fig. 29)
- Placez la goupille de blocage (B) dans le trou afin de bloquer l'arbre.
- Placez la lame (E), le bol de garde au sol (F) et la bride de support (G) sur l'arbre sortant (D).
- Assurez-vous que le disque d'entraînement (C) s'engage correctement dans le trou central de la lame. (Fig. 30)
- Placez le contre-écrou (H) sur l'arbre de sortie. Tenez le manche de la clé mixte près de la protection de l'équipement de coupe. Tournez la clé mixte dans le sens contraire des aiguilles d'une montre pour serrer le contre-écrou. Serrez le contre-écrou à un couple compris entre 35 et 50 Nm (entre 26 et 36 pds/lb).
- Retirez la goupille de blocage.

Installation de la tête de désherbage

- Assurez-vous que la protection de l'équipement de coupe (A) est fixée sur le produit. Reportez-vous à la section *Montage de la protection de l'accessoire de coupe à la page 163*. (Fig. 31)

- Assurez-vous que le disque d'entraînement (C) est fixé sur l'arbre de sortie (D).
- Placez la goupille de blocage (B) dans le trou afin de bloquer l'arbre.
- Placez la tête de désherbage (E) sur l'arbre de sortie.
- Tournez la tête de désherbage dans le sens contraire des aiguilles d'une montre pour la serrer à l'arbre de sortie. (Fig. 32)
- Retirez la goupille de blocage.

Utilisation

Introduction



AVERTISSEMENT: Avant d'utiliser le produit, vous devez lire et comprendre le chapitre sur la sécurité.

Carburant

Ce produit est équipé d'un moteur à deux temps.



REMARQUE: L'utilisation d'un type de carburant inadéquat peut endommager le moteur. Utilisez un mélange d'essence et d'huile deux temps.

Carburant prémélangé

- Utilisez un carburant alkylate prémélangé Husqvarna de bonne qualité pour des performances optimales et une plus longue durée de vie du moteur. Ce carburant contient des produits chimiques moins dangereux par rapport au carburant normal, ce qui réduit la quantité de gaz d'échappement dangereux. Ce carburant génère une faible quantité de résidus, ce qui permet de garder les composants du moteur propres plus longtemps.

Pour mélanger le carburant

Essence



REMARQUE: N'utilisez pas d'essence avec un indice d'octane inférieur à 90 RON (87 AKI). Cela peut endommager le produit.



REMARQUE: N'utilisez pas d'essence avec une concentration d'éthanol (E10) supérieure à 10 %. Cela peut endommager le produit.

- Utilisez toujours de l'essence sans plomb neuve avec un indice d'octane minimal de 90 RON (87 AKI) et une concentration d'éthanol (E10) inférieure à 10 %.
- Utilisez de l'essence avec un numéro d'octane supérieur si vous utilisez fréquemment le produit à une vitesse du moteur élevée en continu.

Huile deux temps

- Pour un résultat et un fonctionnement optimaux, utilisez de l'huile deux temps Husqvarna.
- Si l'huile deux temps Husqvarna n'est pas disponible, utilisez une huile deux temps de haute qualité pour moteurs refroidis à l'air. Contactez votre atelier d'entretien pour sélectionner l'huile appropriée.



REMARQUE: N'utilisez pas d'huile deux temps pour les moteurs hors-bord refroidis par eau (huile outboard). N'utilisez pas d'huile pour moteurs à quatre temps.

Pour mélanger l'essence et l'huile deux temps

Essence, en litres	Huile deux temps, en litres
	2 % (50:1)
5	0,10
10	0,20
15	0,30
20	0,40



REMARQUE: lorsque vous mélangez de faibles quantités de carburant, de petites erreurs peuvent influencer considérablement sur le rapport de mélange. Mesurez soigneusement la quantité d'huile et assurez-vous que vous obtenez le mélange correct.

(Fig. 33)

- Remplissez la moitié de la quantité d'essence dans un récipient propre et adapté pour l'essence.
- Ajoutez la quantité totale d'huile.
- Mélangez en secouant le mélange de carburant.
- Ajoutez le reste de l'essence dans le récipient.
- Mélangez avec précaution en secouant le récipient.



REMARQUE: Ne mélangez jamais plus d'un mois de carburant à chaque fois.

Pour ajouter du carburant

- Utilisez toujours un bidon d'essence comportant un dispositif d'arrêt de remplissage automatique.
- Si un peu de carburant se déverse sur le bidon, essuyez le carburant et laissez sécher le bidon.
- Assurez-vous que la zone proche du bouchon du réservoir de carburant est propre.
- Agitez le bidon de carburant avant de verser le mélange de carburant dans le réservoir.

Pour effectuer un rodage

- Au cours des 10 premières heures de fonctionnement, ne faites pas tourner le produit à plein régime sans charge sur des périodes prolongées.

Pour démarrer et arrêter

Pour effectuer les contrôles nécessaires avant l'utilisation

1. Assurez-vous qu'aucune pièce du produit n'est manquante, endommagée, desserrée ou usée.
2. Assurez-vous que les écrous, les vis et les boulons sont serrés.
3. Assurez-vous que les lames ou la tête de désherbage ne sont pas endommagées.
4. Assurez-vous que le contre-écrou est serré.
Reportez-vous à la section *Contrôle du contre-écrou* à la page 168.
5. Assurez-vous que le filtre à air n'est pas bouché.
6. Assurez-vous que les dispositifs de sécurité sur le produit ne sont pas défectueux.
7. Assurez-vous que le produit ne présente aucune fuite de carburant.

Pour régler le harnais



AVERTISSEMENT: Le produit doit toujours être correctement fixé au harnais. N'utilisez pas de harnais défectueux.

1. Enfiler le harnais.
2. Reliez le produit au harnais.
3. Ajustez le harnais afin d'obtenir la position de travail la plus confortable.
4. Réglez les courroies latérales pour que le produit pèse uniformément sur les épaules. (Fig. 34)
5. Ajustez le harnais jusqu'à ce que l'équipement de coupe soit parallèle au sol.

6. Laissez l'équipement de coupe toucher légèrement le sol. Ajustez l'attache du harnais pour équilibrer correctement le produit.

Remarque: Si vous utilisez une lame à herbe, elle doit être située à environ 10 cm (4 pouces) du sol.

Pour démarrer un moteur froid

1. Appuyez 10 fois sur la poire de la pompe à carburant. (Fig. 35)
2. Tirez la commande de starter. (Fig. 36)
3. Plaquez l'appareil contre le sol à l'aide de votre main gauche. (Fig. 37) Ne marchez pas sur le produit. Tirez la poignée du câble du démarreur lentement jusqu'à ce qu'une résistance se fasse sentir. Ensuite, tirez la poignée du câble du démarreur avec force.

Remarque: Ne tirez pas la gâchette d'accélération pendant que vous démarrez le moteur.

4. Continuez à tirer la poignée du câble du démarreur jusqu'à ce que le moteur démarre ou essaie de démarrer (max. 3 fois). Lors du démarrage ou de la tentative de démarrage du moteur, abaissez la commande de starter. Continuez à tirer jusqu'à ce que le moteur démarre. Patientez 60 secondes après le démarrage avant de tirer la gâchette d'accélération.



REMARQUE: Ne tirez pas sur le câble du démarreur avant que le moteur s'arrête. Ne lâchez pas le câble du démarreur lorsqu'il est complètement déployé. Relâchez lentement le câble du démarreur. Le non-respect de ces instructions peut endommager le moteur.

Pour démarrer un moteur chaud

1. Appuyez 10 fois sur la poire de la pompe à carburant.
2. Tirez le câble du démarreur jusqu'à ce que le moteur démarre.

Pour démarrer le moteur lorsque le carburant est trop chaud

Si l'appareil ne démarre pas, il se peut que le carburant soit trop chaud.

Remarque: Utilisez toujours un nouveau carburant et limitez le temps de fonctionnement par temps chaud.

1. Placez l'appareil dans un endroit frais à l'abri des rayons du soleil.
2. Laissez l'appareil refroidir pendant 20 minutes au moins.
3. Appuyez maintes fois sur la poire de la pompe à carburant pendant 10 à 15 secondes.

4. Observez la procédure relative au démarrage d'un moteur froid. Reportez-vous à la section *Pour démarrer un moteur froid* à la page 165.

Pour arrêter

- Appuyez sur le bouton d'arrêt pour arrêter le moteur. (Fig. 21)

Remarque: Le bouton d'arrêt revient automatiquement à sa position initiale.

Pour faire fonctionner le coupe-herbe



REMARQUE: Assurez-vous de mettre le moteur au régime de ralenti après chaque utilisation. Une longue période à plein régime sans charge sur le moteur peut endommager le moteur.

Remarque: Nettoyez la protection de la tête de désherbage lorsque vous fixez un nouveau fil de coupe-herbe pour éviter les vibrations. Vérifiez les autres parties de la tête de désherbage et nettoyez-les si nécessaire.

Pour tondre l'herbe

1. Maintenez la tête de désherbage juste au-dessus du sol et inclinez-la. Ne poussez pas le fil de coupe dans l'herbe. (Fig. 38)
2. Réduisez la longueur du fil de coupe de 10-12 cm (4-4,75 po).
3. Diminuez la vitesse du moteur afin de limiter le risque d'endommager les plantes.
4. Baissez le régime à 80 % lorsque vous coupez l'herbe à proximité d'objets. (Fig. 39)

Pour couper l'herbe

1. Assurez-vous que le fil du coupe-bordures est parallèle au sol lorsque vous coupez l'herbe. (Fig. 40)
2. N'appuyez pas la tête de désherbage sur le sol. Cela peut endommager le produit
3. Déplacez le produit de gauche à droite pour couper l'herbe. Faites tourner la machine à plein régime. (Fig. 41)

Pour désépaissir l'herbe avec une lame à herbe

1. N'utilisez pas les lames et les couteaux à herbe pour les tiges ligneuses.

2. La lame à herbe s'utilise pour tous les types d'herbe haute ou épaisse.
3. Fauchez l'herbe d'un mouvement de balancier latéral, le mouvement de droite à gauche constituant la fauche et le mouvement de gauche à droite le retour. Faites travailler la lame du côté gauche (secteur 8 h à 12 h).
4. Si on penche légèrement la lame vers la gauche pendant le débroussaillage, l'herbe coupée est disposée en bandes, ce qui facilite le ramassage, par exemple lors du ratissage.
5. Essayez d'adopter un rythme de travail régulier. Adoptez une position stable, les pieds écartés. Faites un pas en avant après le mouvement de retour et reprenez la même position stable.
6. Laissez le bol de garde au sol. Son rôle est de protéger la lame contre tout contact avec le sol.
7. Réduisez les risques d'enroulement des matériaux autour de la lame en travaillant toujours à plein régime et en évitant de toucher le matériel végétal coupé au cours du mouvement de retour.
8. Arrêtez le moteur, ouvrez le harnais et posez la machine par terre avant de rassembler le matériel végétal coupé.

Tête de désherbage

- Assurez-vous d'enrouler le fil du coupe-herbe fermement et uniformément autour du tambour pour réduire la vibration.
- Utilisez uniquement des têtes de désherbage et fils de coupe-herbe homologués. Consultez la section *Accessoires à la page 171*.
- Utilisez une longueur appropriée de fil de coupe-herbe. Un fil de coupe-herbe long utilise plus de puissance moteur qu'un fil de coupe-herbe court.
- Assurez-vous que le couteau monté sur la protection pour l'équipement de coupe n'est pas endommagé.
- Trempez le fil de coupe-herbe dans de l'eau pendant 2 jours avant de le monter sur le produit. Cela permet d'augmenter la durée de vie du fil de coupe-herbe.

Pour remplacer le fil de coupe

- (Fig. 42)
- (Fig. 43)
- (Fig. 44)
- (Fig. 45)
- (Fig. 46)
- (Fig. 47)
- (Fig. 48)
- (Fig. 49)

Maintenance

Introduction



AVERTISSEMENT: Avant d'effectuer des travaux d'entretien, vous devez lire et comprendre le chapitre sur la sécurité.

Une formation spécifique est nécessaire pour effectuer tous les travaux d'entretien et de réparation du produit. Nous garantissons qu'il vous est possible d'obtenir des services de réparation et d'entretien effectués par des professionnels. Si votre concessionnaire n'est pas un atelier spécialisé, demandez-lui des informations à propos de l'atelier spécialisé le plus proche.

Calendrier de maintenance

Entretien hebdomadaire

- Nettoyez les surfaces externes.
- Assurez-vous que l'équipement de coupe ne bouge pas lorsque le moteur tourne au ralenti. Reportez-vous à la section *Pour régler le régime de ralenti à la page 167*.
- Examinez le niveau de graisse dans le renvoi d'angle. Reportez-vous à la section *Pour graisser pour le renvoi d'angle à la page 168*.
- Examinez le contre-écrou. Reportez-vous à la section *Contrôle du contre-écrou à la page 168*.

Entretien mensuel

- Assurez-vous que le câble du démarreur et sa poignée ne sont pas endommagés.

Maintenance annuelle

- Vérifiez la bougie. Reportez-vous à la section *Pour vérifier la bougie à la page 167*.
- Nettoyez les surfaces externes du carburateur et les zones adjacentes.
- Nettoyez le système de refroidissement.
- Vérifiez l'écran pare-étincelles. Reportez-vous à la section *Pour effectuer l'entretien de l'écran pare-étincelles à la page 167*.
- Vérifiez le filtre à carburant.
- Assurez-vous que le tuyau de carburant n'est pas endommagé.
- Assurez-vous que les câbles et connexions sur le produit ne sont pas endommagés.

Pour régler le régime de ralenti

- Assurez-vous que le filtre à air est propre et que le couvercle de filtre à air est fixé avant de régler le régime de ralenti.
- Réglez le régime de ralenti à l'aide de la vis de réglage T identifiée par le repère « T ».
- Le régime de ralenti est correct lorsque le moteur fonctionne sans à-coups dans toutes les positions.

Le régime de ralenti doit être inférieur à la vitesse lorsque l'équipement de coupe commence à tourner.

1. Tournez la vis de réglage T dans le sens des aiguilles d'une montre jusqu'à ce que l'équipement de coupe commence à tourner. (Fig. 50)
2. Tournez la vis de réglage T dans le sens contraire des aiguilles d'une montre jusqu'à l'arrêt de l'équipement de coupe.

Pour effectuer l'entretien de l'écran pare-étincelles

Utilisez une brosse métallique pour nettoyer l'écran pare-étincelles.
(Fig. 51)

Pour nettoyer le circuit de refroidissement

Nettoyez les pièces du circuit de refroidissement avec une brosse.

(Fig. 52)

Pour vérifier la bougie



REMARQUE: Utilisez la bougie recommandée. Assurez-vous que la bougie de remplacement est la même que celle fournie par le fabricant. Une bougie inappropriée peut endommager le produit.

1. Vérifiez la bougie lorsque :
 - a) le moteur manque de puissance ;
 - b) le moteur ne démarre pas facilement ;
 - c) le moteur ne fonctionne pas correctement lorsqu'il tourne au régime de ralenti.
2. Si le moteur a du mal à démarrer ou à fonctionner, vérifiez la présence de matériaux indésirables au niveau de la bougie. Afin de réduire le risque de matériaux indésirables présents sur les électrodes de la bougie :
 - a) assurez-vous que le régime de ralenti est correctement réglé ;
 - b) assurez-vous que le mélange de carburant est correct ;
 - c) assurez-vous que le filtre à air est propre.
3. Nettoyez la bougie si elle est sale. Vérifiez que l'écartement des électrodes est correct. (Fig. 53)
4. Remplacez la bougie lorsque nécessaire.

Pour entretenir le filtre à air

Pour nettoyer le filtre à air

1. Retirez le couvercle du filtre à air et le filtre à air. (Fig. 54)
2. Nettoyez le filtre à air avec de l'eau chaude savonneuse. Assurez-vous que le filtre à air est sec avant de l'installer.
3. Remplacez le filtre à air s'il est trop sale pour le nettoyer complètement. Remplacez toujours un filtre à air endommagé.
4. Si votre produit est équipé d'un filtre à air en mousse, appliquez de l'huile pour filtre à air. Appliquez de l'huile pour filtre à air uniquement sur un filtre en mousse. N'appliquez pas d'huile sur un filtre en feutre.

Pour appliquer de l'huile de filtre à air sur un filtre en mousse



REMARQUE: Utilisez toujours de l'huile spéciale pour filtre à air sur les filtres à air en mousse. N'utilisez pas d'autres types d'huile.



AVERTISSEMENT: Évitez tout contact de la peau avec l'huile.

1. Retirez le couvercle du filtre à air et le filtre à air. (Fig. 55)
2. Mettez le filtre à air dans un sachet en plastique.
3. Versez l'huile de filtre à air dans le sachet en plastique. (Fig. 56)
4. Pressez le sachet en plastique pour s'assurer que l'huile graisse uniformément le filtre à air.
5. Pressez le filtre à air à l'intérieur du sachet pour enlever le surplus d'huile de filtre à air. Retirez le filtre à air du sachet.
6. Installez le filtre à air.

Pour graisser pour le renvoi d'angle

Assurez-vous que le renvoi d'angle est aux 3/4 rempli de graisse pour renvoi d'angle.

(Fig. 57)

Contrôle du contre-écrou



REMARQUE: Remplacez le contre-écrou toutes les 10 utilisations.

1. Tournez le contre-écrou dans le sens contraire des aiguilles d'une montre pour le serrer. Tournez le contre-écrou dans le sens des aiguilles d'une montre pour le retirer. (Fig. 58)
2. Vérifiez que vous ne pouvez pas faire tourner le revêtement en nylon du contre-écrou manuellement. Le revêtement en nylon doit fournir une résistance minimale de 1,5 Nm (1,1 pds lb).
3. Serrez le contre-écrou à un couple compris entre 35 et 50 Nm (entre 26 et 36 pds lb), si la résistance est inférieure au minimum.



REMARQUE: Si vous serrez trop le contre-écrou, cela peut endommager les filetages.

Pour affûter le couteau à herbe et la lame à herbe



AVERTISSEMENT: Arrêtez le moteur. Utilisez des gants de protection.

- Pour affûter correctement le couteau à herbe ou la lame à herbe, reportez-vous aux instructions fournies avec l'accessoire de coupe.
- Affûtez tous les bords de manière égale afin de maintenir l'équilibre.
- Utilisez une lime plate à taille simple. (Fig. 59)



AVERTISSEMENT: Jetez toujours une lame endommagée. N'essayez pas de redresser une lame tordue ou pliée ni de la réutiliser.

Dépannage

Le moteur ne démarre pas

Contrôle	Cause possible	Procédure
Interrupteur d'arrêt.	L'interrupteur d'arrêt est en position d'arrêt.	Mettez l'interrupteur d'arrêt en position de démarrage.
Cliquets du démarreur.	Les cliquets du démarreur ne peuvent pas se déplacer librement.	Retirez le cache du démarreur et nettoyez autour des cliquets du démarreur. Contactez un agent d'entretien agréé pour vous aider.

Contrôle	Cause possible	Procédure
Réservoir d'essence.	Mauvais type de carburant.	Vidangez le réservoir de carburant et remplissez-le avec le carburant qui convient.
Bougie.	La bougie d'allumage est sale ou humide.	Assurez-vous que la bougie est sèche et propre.
	L'écartement des électrodes de la bougie est incorrect.	Nettoyez la bougie. Vérifiez que l'écartement des électrodes est correct. Assurez-vous que la bougie est dotée d'un surpresseur.
	La bougie d'allumage est desserrée.	Serrez la bougie d'allumage.

Le moteur démarre, puis s'arrête à nouveau

Contrôle	Cause possible	Procédure
Réservoir de carburant	Mauvais type de carburant.	Videz le réservoir de carburant et remplissez-le avec le carburant qui convient.
Filtre à air	Le filtre à air est bouché.	Nettoyez le filtre à air.

Transport, entreposage et mise au rebut

Transport et stockage

- Laissez le produit refroidir avant le transport ou le remisage.
- Retirez le capuchon de la bougie d'allumage avant de le remiser pour une période prolongée.
- Fixez le produit pour le transporter. Assurez-vous qu'il ne puisse pas bouger.

- Assurez-vous qu'il n'y a aucun risque de fuite de carburant, de vapeurs de carburant, d'étincelles ou d'incendie pendant le transport et le stockage.
- Fixez la protection de transport pendant le transport et le remisage.
- Nettoyez et effectuez l'entretien sur le produit avant de le remiser pour une période prolongée.

Caractéristiques techniques

Caractéristiques techniques

	325R A05328CBHV
Moteur	
Cylindrée, cm ³	27,6
Régime de ralenti, tr/min	2 800 - 3 200
Régime d'emballement maximal recommandé, tr/min	8 000

	325R A05328CBHV
Puissance moteur max. selon ISO 8893, kW/ch à tr/min	0,9/1,2 à 8 000
Silencieux avec pot catalytique	Oui
Régime de l'arbre de sortie, tr/min	7 200
Système d'allumage	
Bougie	Husqvarna HQT-4
Écartement des électrodes, mm	0,5
Système de carburant	
Capacité du réservoir de carburant, l/cm ³	0,343/343
Dimensions du produit	
Poids, kg	5,5
Émissions sonores³¹	
Niveau de puissance acoustique, équipé d'une lame à herbe, dB(A)	108
Niveau de puissance acoustique, équipé d'une tête de désherbage, dB(A)	110
Niveau de puissance sonore, garanti (L _{WA}), équipé d'une lame à herbe, dB(A)	112
Niveau de puissance sonore, garanti (L _{WA}), équipé d'une tête de désherbage, dB(A)	114
Niveaux sonores³²	
Niveau de pression sonore à l'oreille de l'utilisateur, équipé d'une lame à herbe, dB(A)	96
Niveau de pression sonore à l'oreille de l'utilisateur, équipé d'une tête de désherbage, dB(A)	95
Niveaux de vibrations³³	
Niveau de vibration équivalent (ahv, eq), équipé d'une lame à herbe, poignée gauche, m/s ²	5,1
Niveau de vibration équivalent (ahv, eq), équipé d'une lame à herbe, poignée droite, m/s ²	5,7
Niveau de vibration équivalent (ahv, eq), équipé d'une tête de désherbage, poignée gauche m/s ²	4,1
Niveau de vibration équivalent (ahv, eq), équipée d'une tête de désherbage, poignée droite, m/s ²	4,9

³¹ Les émissions sonores de l'environnement sont mesurées en puissance sonore (L_{WA}) conformément à la directive CE 2000/14/CE de l'Union européenne. Le niveau de puissance sonore reporté pour le produit a été mesuré avec l'équipement de coupe d'origine qui donne le niveau le plus élevé. Le niveau de puissance sonore garanti diffère du niveau mesuré en cela qu'il prend également en compte la dispersion et les variations d'un produit à l'autre du même modèle, conformément à la directive 2000/14/CE.

³² Les données reportées pour le niveau de pression sonore équivalent pour le produit montrent une dispersion statistique typique (déviation standard) de 1 dB (A).

³³ Les données reportées pour le niveau de vibrations équivalent montrent une dispersion statistique type (déviation standard) de 1 m/s².

Accessoires

Accessoires

Accessoires homologués	Type	Protection pour l'équipement de coupe
Arbre fileté	M10L	
Tête de désherbage	T35, 2,4 mm	588 11 79-01
Lame de désherbage	Grass 255-4, Ø 250	588 11 79-01

Déclaration de conformité CE

Contenu de la déclaration de conformité CE

Nous, Husqvarna AB, SE 561 82 Huskvarna, SUÈDE, déclarons sous notre responsabilité exclusive que le produit représenté :

Le coupe-herbe / la débroussailleuse à essence fourni(e) correspond aux exemplaires soumis au contrôle de conformité communautaire européen.

Description	Coupe-herbe / Débroussailleuse à essence
Marque	Husqvarna
Plate-forme / Type / Modèle	Plate-forme A05328CBHV, représentant le modèle325R
Lot	Numéro de série à partir de 2018.

est entièrement conforme à la réglementation et aux directives de l'UE suivantes :

Directive/Réglementation	Description
2006/42/EC	« relative aux machines »
2014/30/UE	« relative à la compatibilité électromagnétique »,
2000/14/EC	« relative au bruit extérieur »
2011/65/UE	« relative à la limitation de l'utilisation de certaines substances dangereuses »

Les normes harmonisées et/ou les spécifications techniques appliquées sont comme suit : EN ISO 12100, EN ISO 11806-1, CISPR 12, ISO 14982, EN 50581:2012

Conformément à la directive 2000/14/CE, Annexe V, les valeurs déclarées saines sont stipulées dans la section Données techniques de ce manuel et dans la Déclaration de Conformité signée de la CE.

TÜV Rheinland N. A. a procédé à un examen volontaire pour Husqvarna AB et lui a attribué un certificat de conformité à la directive 2006/42/CE du Conseil de la CE relative aux machines.

Le certificat, comme indiqué dans la Déclaration de Conformité signée de la CE, s'applique à l'ensemble des sites de fabrication et des pays d'origine, comme indiqué sur le produit.

Sadržaj

Uvod.....	173	Rješavanje problema.....	183
Sigurnost.....	174	Prijevoz, spremanje i zbrinjavanje.....	184
Sastavljanje.....	178	Tehnički podaci.....	184
Rad.....	179	Dodaci.....	185
Održavanje.....	181	Izjava o sukladnosti EC.....	186

Uvod

Korisnički priručnik

Prvi jezik u ovom korisničkom priručniku je engleski. Korisnički priručnici na drugim jezicima prijevod su iz engleskog jezika.

Namjena

Ovaj proizvod upotrebljavajte s nožem za travu ili glavom trimera kako biste rezali različite vrste vegetacije.

Pregled proizvoda

(Sl. 1)

1. Glava trimera
2. Čep posude za mazivo
3. Pužni zglob
4. Štitnik reznog nastavka
5. Osovina
6. Prekidač za zaustavljanje
7. Regulator gasa
8. Blokada regulatora gasa
9. Ručka
10. Kopča naramenice
11. Kućište pokretača
12. Kapica za svječiće, svjećica
13. Ručica za paljenje
14. Spremnik za gorivo
15. Poklopac filtra zraka
16. Čašica za uklanjanje zraka
17. Regulator čoka
18. Podešavanje ručice
19. Sajla gasa
20. Gumb brzog praznog hoda
21. Naramenice
22. Kombinirani viličasti ključ
23. Korisnički priručnik
24. Transportni štitnik
25. Nož
26. Potporni poklopac
27. Prirubnica nosača
28. Sigurnosna matica

Napomena: Nacionalnim propisima mogu se utvrditi ograničenja rada ovog proizvoda.

29. Pogonska podloška
30. Klin za blokiranje
31. Šesterokutni ključ

Simboli na proizvodu

- (Sl. 2) **UPOZORENJE!** Ovaj proizvod može biti opasan. Ako se proizvod ne upotrebljava pažljivo i sigurno, može doći do ozljede ili smrti rukovatelja ili promatrača. Kako biste spriječili ozljede rukovatelja ili promatrača, pročitajte i poštujujte sve sigurnosne upute iz korisničkog priručnika.
- (Sl. 3) Pažljivo pročitajte korisnički priručnik i prije korištenja dobro usvojite sadržaj.
- (Sl. 4) Na lokacijama na kojima postoji opasnost od padajućih predmeta nosite zaštitnu kacigu. Koristite odobrenu zaštitu sluha. Koristite odobrenu zaštitu za oči.
- (Sl. 5) Koristite odobrene zaštitne rukavice.
- (Sl. 6) Upotrebljavajte čizme za teške uvjete rada otporne na klizanje.
- (Sl. 7) Strelce prikazuju ograničenja položaja ručice.
- (Sl. 8) Proizvod može uzrokovati izbacivanje predmeta koji mogu uzrokovati ozljede.
- (Sl. 9) Maksimalna brzina izlazne osovine.

- (Sl. 10) Tijekom rada s ovim proizvodom održavajte minimalnu udaljenost od 15 m / 50 ft od osoba i životinja.
- (Sl. 11) Postoji opasnost od povratnog udara kada rezna oprema dođe u dodir s predmetom kojeg ne može odmah presjeći. Proizvod može odsjeći dijelove tijela. Tijekom rada s ovim proizvodom održavajte minimalnu udaljenost od 15 m / 50 ft od osoba i životinja.
- (Sl. 12) Čašica za uklanjanje zraka.
- (Sl. 13) Čok.
- (Sl. 14) Izbjegavajte tjelesni kontakt s vrućim površinama.
- (Sl. 15) Emisija buke u skladu s direktivom Europske zajednice. Emisije proizvoda navedene su u poglavlju s tehničkim podacima i na naljepnici.
- (Sl. 16) Proizvod ispunjava mjerodavne direktive EC.
- (Sl. 17) Proizvod ispunjava mjerodavne direktive EAC.

Na natpisnoj pločici je serijski broj. **ggggg** označava godinu proizvodnje, **tt** označava tjedan proizvodnje, a **xxxxx** je serijski broj.

gggggtxxxxx

Napomena: Drugi simboli/naljepnice na proizvodu odnose se na zahtjeve za certifikaciju na drugim tržišnim područjima.

Pouzdanost proizvoda

Sukladno zakonima o pouzdanosti proizvoda nismo odgovorni za oštećenja uzrokovana našim proizvodima ako je:

- proizvod nepravilno popravljen.
- proizvod popravljen dijelovima koje nije proizveo proizvođač ili nemaju odobrenje proizvođača.
- proizvod ima dodatnu opremu koje nije proizveo proizvođač ili nemaju odobrenje proizvođača.
- proizvod nije popravljen u odobrenom servisnom centru ili kod ovlaštene osobe.

EU V



UPOZORENJE: Petljanjem po motoru gubite pravo na odobrenje EU-a ovog proizvoda.

Sigurnost

Sigurnosne definicije

Upozorenjima, oprezima i napomenama naglašavaju se posebno važni dijelovi priručnika.



UPOZORENJE: Koristi se kada nepoštivanje uputa iz priručnika može uzrokovati smrt ili ozljede rukovatelja ili promatrača.



OPREZ: Koristi se kada nepoštivanje uputa iz priručnika može uzrokovati oštećenje proizvoda ili drugih materijala u neposrednoj blizini.

Napomena: Koristi se prikaz neophodnih dodatnih informacija za zadanu situaciju.

Sigurnost od vibracija

Ovaj je proizvod namijenjen samo za povremenu upotrebu. Neprestana ili redovita upotreba proizvoda može uzrokovati bolest "bijelih prstiju" ili slične medicinske probleme uzrokovane vibracijama. Ako proizvod upotrebljavati neprestano ili redovito, pregledavajte stanje ruku i prstiju. Ako na rukama ili prstima dođe do promjene boje te ako osjetite bolove, trnce ili otupljenost, prekinite s radom i odmah se obratite liječniku.

Opće sigurnosne upute



UPOZORENJE: Prije uporabe proizvoda pročitajte upozoravajuće upute u nastavku.

- Proizvod koristite ispravno. Nepravilno korištenje može uzrokovati ozljede ili smrt. Proizvod koristite samo za zadatke iz ovog priručnika. Proizvod nemojte upotrebljavati za druge zadatke.
- Poštujte upute iz ovog priručnika. Poštujte sigurnosne simbole i sigurnosne upute. Ako operater ne poštuje upute i simbole, može doći do ozljeda, oštećenja ili smrti.
- Čuvajte ovaj priručnik. Koristite upute za sastavljanje, korištenje i održavanje proizvoda. Koristite upute za pravilnu ugradnju priključaka i dodatne opreme. Koristite isključivo odobrene priključke i dodatnu opremu.
- Nemojte upotrebljavati oštećen proizvod. Pridržavajte se rasporeda održavanja. Provodite samo radove održavanja za koje su u priručniku navedene upute. Svi drugi radovi održavanja moraju se provesti u ovlaštenom servisnom centru.
- Priručnik ne može sadržavati sve situacije koje mogu nastati prilikom upotrebe proizvoda. Budite pažljivi i razumni. Nemojte koristiti ili održavati proizvod ako niste sigurni u situaciju. Informacije zatražite od stručnjaka za proizvod, servisera ili odobrenog servisnog centra.
- Prije sastavljanja, pohrane ili održavanja proizvoda odspojite kabel svjeće.
- Nemojte koristiti proizvod ako su mu promijenjene početne specifikacije. Nemojte mijenjati dio proizvoda bez odobrenja proizvođača. Upotrebljavajte isključivo dijelove s odobrenjem proizvođača. Nepravilno održavanje može uzrokovati ozljede ili smrt.
- Nemojte udisati pare motora. Dugotrajno udisanje ispušnih para motora opasnost je za zdravlje.
- Proizvod nemojte pokretati u zatvorenom prostoru ili u blizini zapaljivog materijala. Ispušne pare su vruće i mogu sadržavati vruće iskre koje mogu uzrokovati požar. Nedovoljan protok zraka može uzrokovati ozljede ili smrt zbog gušenja ili trovanja ugljičnim monoksidom.
- Prilikom korištenja proizvoda motor stvara elektromagnetsko polje. Elektromagnetsko polje može oštetiti medicinske implantate. Prije uporabe proizvoda obratite se liječniku ili proizvođaču medicinskog implantata.
- Djeci nemojte dopustiti korištenje proizvoda. Osobama koje nisu upoznate s uputama nemojte dopustiti upotrebu proizvoda.
- Osobu smanjenih fizičkih ili mentalnih sposobnosti obavezno nadzirite tijekom upotrebe proizvoda. Cijelo vrijeme mora biti prisutna odgovorna odrasla osoba.

- Proizvod zaključajte u prostor u koji je djeci i neovlaštenim osobama onemogućen pristup.
- Proizvod može izbacivati predmete i uzrokovati ozljede. Poštujte sigurnosne upute kako biste smanjili opasnost od ozljede i smrti.
- Nemojte se udaljavati od proizvoda s uključenim motorom.
- Za nezgode je odgovoran korisnik proizvoda.
- Prije upotrebe proizvoda provjerite jesu li njegovi dijelovi neoštećeni.
- Prije korištenja proizvoda provjerite jeste li od drugih osoba ili životinja udaljeni najmanje 15 m (50 stopa). Osobe u neposrednoj okolini morate obavijestiti o namjeri korištenja proizvoda.
- Pogledajte nacionalne ili lokalne zakone. Njima u određenim uvjetima može biti spriječeno ili ograničeno korištenje proizvoda.
- Proizvod nemojte koristiti kada ste izmoreni ili pod utjecajem alkohola, droga ili lijekova. To može negativno utjecati na vaš vid, opreznost, sposobnost rasuđivanja ili koordinaciju.

Sigurnosne upute za sastavljanje



UPOZORENJE: Prije uporabe proizvoda pročitajte upozoravajuće upute u nastavku.

- Prije sastavljanja ovog proizvoda sa svjeće uklonite lulicu svjeće.
- Koristite odobrene zaštitne rukavice.
- Pravilno sastavite poklopac i osovinu prije pokretanja motora.
- Pogonska podloška i potporna prirubnica moraju pravilno pristajati u središnji provrt reznog nastavka. Nepravilno pričvršćeni rezni nastavak može prouzročiti ozbiljne ozljede ili smrt rukovatelja ili drugih osoba.
- Za siguran rad sa proizvodom i sprječavanje ozljeda rukovatelja ili drugih osoba proizvod obavezno mora biti pravilno pričvršćen na naramenice.

Sigurnosne upute za rad



UPOZORENJE: Prije uporabe proizvoda pročitajte upozoravajuće upute u nastavku.

- Prije upotrebe proizvoda provjerite je li u potpunosti sastavljen.
- Ovaj proizvod prije pokretanja pomaknite za 3 m / 10 ft od mjesta punjenja spremnika za gorivo. Proizvod postavite na ravnu površinu. Rezni nastavak ne smije dodirivati tlo ili druge predmete.
- Proizvod može uzrokovati izbacivanje predmeta koji mogu ozlijediti oči. Prilikom upotrebe stroja obavezno koristite odobrenu zaštitu za oči.
- Budite pažljivi, tijekom rada proizvodu se može približiti dijete bez vašeg znanja.

- Proizvod nemojte upotrebljavati ako se u radnom području zadržavaju druge osobe. Zaustavite proizvod ako druga osoba pristupi radnom području.
- Obavezno kontrolirajte proizvod.
- Nemojte koristiti proizvod ako ne možete primiti pomoć u slučaju nezgode. Prije korištenja proizvoda obavezno obavijestite druge osobe kako namjeravate koristiti proizvod.
- Nemojte se okretati s proizvodom prije nego provjerite ima li drugih osoba ili životinja u sigurnosnom području.
- Prije početka iz radnog područja uklonite sav neželjeni materijal. Ako rezni nastavak udari u predmet, može ga izbaciti i uzrokovati ozljedu ili oštećenje. Neželjeni materijal može se omotati oko reznog nastavka i oštetiti ga.
- Proizvod nemojte koristiti po lošem vremenu (magla, kiša, jaki vjetar, opasnost od grmljavine ili drugi nepovoljni vremenski uvjeti). Loše vrijeme može uzrokovati opasne uvjete (poput skliskih površina).
- Provjerite slobodu kretanja i radite u stabilnom položaju.

(Sl. 18)

- Prilikom rada s proizvodom osigurajte se od pada. Tijekom rada s proizvodom nemojte ga naginjati.
- Proizvod obavezno držite s obje ruke. Proizvod držite na desnoj strani tijela.

(Sl. 19)

- Proizvod koristite s reznim nastavkom ispod razine struka.
- Ako je kontrola čoka u položaju čoka pri pokretanju motora, rezni nastavak počinje se okretati.
- Nakon zaustavljanja motora nemojte dodirivati konusni zupčanik. Konusni zupčanik je vruć nakon zaustavljanja motora. Vruća područja mogu uzrokovati ozljede.
- Prije prenošenja proizvoda zaustavite motor.
- Proizvod nemojte spuštati uz uključen motor.
- Prije uklanjanja neželjenog materijala s proizvoda zaustavite motor i pričekajte na zaustavljanje reznog nastavka. Prije nego vi ili pomoćnik počnete uklanjati rezani materijal, pričekajte na zaustavljanje rezne opreme.

Oprema za osobnu zaštitu



UPOZORENJE: Prije uporabe proizvoda pročitajte upozoravajuće upute u nastavku.

- Prilikom upotrebe stroja obavezno koristite prikladnu opremu za osobnu zaštitu. Oprema za osobnu zaštitu ne poništava opasnost od ozljede. Oprema za osobnu zaštitu smanjuje ozbiljnost ozljede u slučaju nezgode.
- Tijekom upotrebe stroja obavezno koristite odobrenu zaštitu za oči.

- Proizvod nemojte upotrebljavati bez obuće ili s otvorenim cipelama. Obavezno koristite čizme za teške uvjete rada otporne na klizanje.
- Nosite teške, duge hlače.
- Po potrebi nosite odobrene zaštitne rukavice.
- Ako postoji opasnost od padanja predmeta na glavu, nosite kacigu.
- Tijekom upotrebe stroja obavezno koristite odobrenu zaštitu sluha. Dugotrajna izloženost buci može uzrokovati gubitak sluha.
- U blizini obavezno imajte kutiju prve pomoći.

Sigurnosne upute za proizvod



UPOZORENJE: Prije uporabe proizvoda pročitajte upozoravajuće upute u nastavku.

- Nemojte koristiti proizvod s oštećenim zaštitnim uređajima.
- Redovito pregledavajte sigurnosne uređaje. Pogledajte *Pregled proizvoda na stranici 173*.
- Ako su sigurnosni uređaji neispravni, obratite se Husqvarna servisnom zastupniku.

Blokada regulatora gasa

Blokada okidača gasa blokira okidač gasa.

(Sl. 20)

Pritisnite blokadu regulatora gasa (A) kako biste otpustili regulator gasa (B). Po otpuštanju ručice blokada regulatora gasa i regulator gasa vraćaju se u početne položaje.

1. Regulator gasa (B) mora biti blokiran u praznom hodu prilikom otpuštanja blokade regulatora gasa (A).
2. Pritisnite blokadu regulatora gasa (A) i provjerite vraća li se po otpuštanju u početni položaj.
3. Pritisnite regulator gasa (B) i provjerite vraća li se po otpuštanju u početni položaj.

Pokrenite motor i potom dajte puni gas. Otpustite regulator gasa i provjerite zaustavlja li se rezna oprema. Ako se rezna oprema okreće uz gas u položaju praznog hoda, pregledajte vijak za podešavanje praznog hoda na rasplinjaču.

Prekidač za zaustavljanje

Pokrenite motor. Provjerite zaustavlja li se motor kada prekidač za zaustavljanje postavite u položaj za zaustavljanje.

(Sl. 21)

Štitnik rezne opreme

Štitnik rezne opreme sprječava izbacivanje nepričvršćenog predmeta prema korisniku.

(Sl. 22)

Pregledajte štitnik rezne opreme i zamijenite ga ako je oštećen. Za reznu opremu koristite isključivo odobreni štitnik.

Prigušivač

- Nemojte koristiti motor ako je prigušivač oštećen. Oštećen prigušivač povećava razinu buke i opasnost od požara. Imajte protupožarni aparat u blizini.
- Redovno provjeravajte pričvršćenost prigušivača za proizvod.
- Kada je motor uključen nemojte dodirivati motor ili prigušivač. Motor ili prigušivač nemojte dodirivati ni neposredno nakon zaustavljanja motora. Vruće površine mogu uzrokovati ozljede.
- Vrući prigušivač može uzrokovati požar. Budite pažljivi ako proizvod koristite u blizini zapaljivih tekućina ili para.
- Ako je prigušivač oštećen, nemojte dodirivati njegove dijelove. Dijelovi mogu sadržavati kancerogene kemikalije.

Sigurnosna matica

Neke vrste rezne opreme blokiraju se sigurnosnom maticom.

(Sl. 23)

Nakon postavljanja sigurnosne matice zategnite ju u smjeru suprotnom od okretanja rezne opreme.

Funkcija otpuštanja naramenica



UPOZORENJE: Nemojte upotrebljavati naramenice ako je funkcija otpuštanja neispravna. Provjerite ispravnost rada funkcije otpuštanja prilikom prilagodbe proizvoda.

Funkcija otpuštanja naramenice nalazi se na prednjem dijelu proizvoda. Rameni naramenice uvijek moraju biti u ispravnom položaju.

(Sl. 24)

Funkcija otpuštanja naramenice omogućuje sigurno otpuštanje naramenica u slučaju nužde.

Rezna oprema



UPOZORENJE: Prije uporabe proizvoda pročitajte upozoravajuće upute u nastavku.

- Provodite redovno održavanje. Redovno pregledavajte reznu opremu u ovlaštenom servisnom centru radi prilagodbi ili popravaka.
 - Time povećavate učinkovitost rezne opreme.
 - Tako produljujete vijek trajanja priključaka.
 - Također smanjujete opasnost od nezgoda.
- Koristite isključivo odobreni štitnik rezne opreme. Više informacija potražite u *Dodaci na stranici 185*.

- Nemojte koristiti oštećenu reznu opremu.

Noževi za travu i rezači za travu

- Primjenjujte proizvod s odobrenim nožem za travu. Nemojte upotrebljavati nož za travu bez pravilne ugradnje svih potrebnih dijelova. Provjerite ispravnost ugradnje te jesu li upotrebljavani odgovarajući dijelovi. Nepravilna ugradnja može uzrokovati izbacivanje noža i ozbiljne ozljede rukovatelja i promatrača.
- Prilikom rada s nožem ili njegovog održavanja nosite zaštitne rukavice.
- Tijekom uporabe proizvoda s nožem za travu nosite zaštitu za glavu.
- Noževi i rezači za travu namijenjeni su za rezanje tvrde trave.
- Nakon zaustavljanja motora ili otpuštanja okidača gasa nož za travu nastavlja se okretati te može uzrokovati ozljede. Prije održavanja provjerite je li nož za travu potpuno zaustavljen.
- Prije rada na reznoj opremi zaustavite motor. Provjerite je li rezna oprema potpuno zaustavljena. Odvojite visokonaponski kabel od svjeće.
- Upotrebljavajte samo odobrenu reznu opremu ili pravilno naoštren nož.
- Zupce noža održavajte pravilno naoštrenima. (Sl. 25)
- Nemojte koristiti oštećenu reznu opremu.
- Za transport ili skladištenje proizvoda na nož za travu postavite prijenosni štitnik.

Povratni udar

- Povratni udar je iznenadni pomak proizvoda u stranu, prema naprijed ili unatrag. Povratni udar nastaje kada nož za travu ili kružna pila udari u predmet koji ne može preseći. Opasnost od povratnog udara povećana je u područjima u kojima je loš pregled rezanog materijala.
- Pri pojavi povratnog udara postoji opasnost od promjene položaja rukovatelja. Nož u pokretu može udariti promatrače i uzrokovati ozljede.
- Ako je nož savijen, ima pukotine, slomljen ili oštećen, odstranite ga.
- Primjenjujte oštar nož. Tupi nož povećava opasnost od povratnog udara.

Sigurnost pri rukovanju s gorivom



UPOZORENJE: Prije uporabe proizvoda pročitajte upozoravajuće upute u nastavku.

- Gorivo nemojte miješati u zatvorenom prostoru ili u blizini izvora topline.
- Nemojte pokretati proizvod ako u njemu ima goriva ili motornog ulja. Uklonite neželjeno gorivo/ulje i pričekajte na sušenje proizvoda. Uklonite neželjeno gorivo iz proizvoda.

- Ako gorivo prolijete po odjeći, odmah ju zamijenite.
- Gorivu nemojte dopustiti kontakt s tijelom jer može uzrokovati ozljede. Ako dođe do kontakta goriva s tijelom, sapunom i vodom isperite gorivo.
- Nemojte pokretati motor ako ste po proizvodu ili tijelu proliili gorivo.
- Nemojte pokretati proizvod ako motor propušta. Redovito pregledavajte ima li na motoru propuštanja.
- Budite pažljivo s gorivom. Gorivo je zapaljivo, a pare su eksplozivne i mogu uzrokovati ozljede i smrt.
- Nemojte udisati pare goriva, one mogu uzrokovati ozljede. Osigurajte dovoljan protok zraka.
- U blizini goriva ili motora nemojte pušiti.
- U blizini goriva ili motora nemojte stavljati vruće predmete.
- Nemojte ulijevati gorivo kada je motor uključen.
- Prije ulijevanja goriva provjerite je li motor hladan.
- Prije ulijevanja goriva polako otvorite čep spremnika goriva i pažljivo ispuštite tlak.
- Gorivo u motor nemojte ulijevati u zatvorenom prostoru. Nedovoljan protok zraka može uzrokovati ozljede ili smrt zbog gušenja ili trovanja ugljičnim monoksidom.
- Pažljivo zategnite čep spremnika goriva kako ne biste uzrokovali požar.
- Prije pokretanja proizvod odmaknite najmanje 3 m (10') od mjesta punjenja spremnika.
- U spremnik za gorivo nemojte uliti previše goriva.
- Provjerite ima li propuštanja pri pomicanju proizvoda ili posude za gorivo.
- Proizvod ili posudu za gorivo nemojte stavljati u blizinu otvorenog plamena, iskri ili lampica. U

prostoru za skladištenje ne smije biti otvorenog plamena.

- Za prijenos ili skladištenje goriva koristite isključivo odobrene posude.
- Prije dugotrajnog skladištenja ispraznite spremnik za gorivo. Poštujte lokalne zakone o lokaciji zbrinjavanja goriva.
- Očistite proizvod prije dugotrajnog skladištenja.
- Prije skladištenja stroja uklonite kabel svjećice kako biste spriječili slučajno pokretanje motora.

Sigurnosne upute za održavanje



UPOZORENJE: Prije održavanja proizvoda pročitajte upozoravajuće upute u nastavku.

- Provodite samo mjere održavanja i servisiranja navedene u ovom korisničkom priručniku. Neka profesionalno servisno osoblje obavi sve ostale servise i popravke.
- Redovito vršite sigurnosne provjere, održavanje i servis prema uputama u ovom priručniku. Redovitim održavanjem povećavate životni vijek proizvoda i smanjujete opasnost od nezgoda. Za upute pročitajte *Raspored održavanja na stranici 181*.
- Ako sigurnosne provjere iz ovog korisničkog priručnika nisu odobrene nakon provedbe održavanja, razgovarajte sa svojim servisnim zastupnikom. Jamčimo dostupnost profesionalnih popravaka i servisiranja za vaš proizvod.

Sastavljanje

Uvod



UPOZORENJE: Prije sastavljanja proizvoda morate pročitati i usvojiti poglavlje o sigurnosti.



UPOZORENJE: Prije sastavljanja proizvoda sa svjećice uklonite kabel svjećice.

Sastavljanje upravljača

1. Uklonite vijak iza ručke. (Sl. 26)
2. Ručicu gasa pomaknite desno od ručke.
3. Poravnajte otvor iza ručice gasa s otvorom na ručki.
4. Provcute vijak kroz provrte. Zategnite vijak.
5. Pričvrstite upravljač između strelica na osovini. Zategnite vijak. (Sl. 27)

Pričvrščivanje stezaljke za naramenice

1. Postavite stezaljku za naramenice na osovinu tako da petlja stezaljke za naramenice bude usmjerena prema gore. Postavite stezaljku za naramenice iznad strelica na osovini.
2. Sajlu gasa postavite u utor na dnu stezaljke za naramenice.
3. Poravnajte provrte za vijke stezaljke za naramenice.
4. Umetnite 2 vijka u provrte za vijke.
5. Zategnite vijke.

Sastavljanje rezne opreme

Sastavljanje štitnika rezne opreme

1. Postavite štitnik rezne opreme (A) na osovinu. (Sl. 28)
2. Postavite nosač (B) u utor štitnika rezne opreme.
3. Provcute svornjak (C) kroz provrt na nosaču do štitnika rezne opreme.

Montaža noža za travu

1. Pobrinite se da štitnik rezne opreme (A) bude pričvršćen na proizvod. Pogledajte *Sastavljanje štitnika rezne opreme na stranici 178*. (Sl. 29)
2. Umetnite zaporni klin (B) u provrt za blokadu osovine.
3. Postavite nož (E), potporni poklopac (F) i potpurnu priрубnicu (G) na izlaznu osovinu (D).
4. Uvjerite se da pogonska podloška (C) pravilno uskače u središnji provrt noža za travu. (Sl. 30)
5. Zapornu maticu postavite na izlaznu osovinu. Osovinu kombiniranog ključa približite štitniku rezne opreme. Okrećite kombinirani ključ suprotno smjeru kretanja kazaljke na satu radi pritezanja zaporne matice. Zategnite zapornu maticu na zatezni moment od 35 – 50 Nm / 26 – 36 ft/lb.

6. Uklonite zaporni klin.

Pričvršćivanje glave trimera

1. Pobrinite se da štitnik rezne opreme (A) bude pričvršćen na proizvod. Pogledajte *Sastavljanje štitnika rezne opreme na stranici 178*. (Sl. 31)
2. Pobrinite se da je pogonska podloška (C) pričvršćena na izlaznu osovinu (D).
3. Umetnite zaporni klin (B) u provrt za blokadu osovine.
4. Glavu trimera (E) postavite na izlaznu osovinu.
5. Okrećite glavu trimera suprotno od smjera kretanja kazaljke na satu radi njezina pritezanja na izlaznu osovinu. (Sl. 32)
6. Uklonite zaporni klin.

Rad

Uvod



UPOZORENJE: Prije rada s proizvodom morate pročitati i usvojiti poglavlje o sigurnosti.

Gorivo

Proizvod ima dvotaktni motor.



OPREZ: Neispravna vrsta goriva može uzrokovati oštećenje motora. Upotrebljavajte mješavinu benzina i ulja za dvotaktne motore.

Prethodno izmiješano gorivo

- Upotrebljavajte Husqvarna prethodno izmiješano alkilatno gorivo dobre kvalitete za najbolje performanse motora i produljenje njegova životnog vijeka. To gorivo sadrži manje štetnih kemikalija u usporedbi s uobičajenim gorivom koje sadržava štetne ispušne plinove. Količina ostataka nakon sagorijevanja manja je s ovim gorivom, što komponente motora održava čistijima.

Miješanje goriva

Benzin



OPREZ: Nemojte koristiti benzin s oktanskim brojem manjim od 90 RON (87 AKI). Tako možete oštetiti proizvod.



OPREZ: Nemojte koristiti benzin s koncentracijom etanola višom od 10% (E10). Tako možete oštetiti proizvod.

- Obavezno koristite bezolovni benzin minimalnog oktanskog broja 90 RON (87 AKI) i s koncentracijom etanola manjom od 10% (E10).
- Ako proizvod koristite redovito i pri visokom broju okretaja, koristite benzin s višim oktanskim brojem.

Ulje za dvotaktne motore

- Za najbolje rezultate i performanse upotrebljavajte Husqvarna ulje za dvotaktne motore.
- Ako ulje za dvotaktne motore tvrtke Husqvarna nije dostupno, upotrijebite neko drugo ulje za dvotaktne motore dobre kvalitete za motore sa zračnim hlađenjem. O odabiru ispravne vrste ulja razgovarajte sa svojim servisnim zastupnikom.



OPREZ: Ne upotrebljavajte ulje za dvotaktne vanbrodske motore hlađene vodom, poznato još i kao ulje za vanbrodske motore. Nemojte upotrebljavati ulje za četverotaktne motore.

Miješanje benzina i ulja za dvotaktne motore

Benzin, litra	Ulje za dvotaktne motore, litra
	2 % (50:1)
5	0,10
10	0,20
15	0,30
20	0,40



OPREZ: Čak i male pogreške mogu drastično utjecati na omjer mješavine kada miješate manje količine goriva. Pažljivo izmjerite količinu ulja kako biste bili sigurni da ćete dobiti ispravnu mješavinu.

(Sl. 33)

1. Polovicu količine benzina ulijte u čisti spremnik za gorivo.
2. Ulijte cijelu količinu ulja.
3. Promiješajte mješavinu goriva.
4. Ulijte preostalu količinu benzina u spremnik.
5. Pažljivo promiješajte mješavinu goriva.



OPREZ: Gorivo ne miješajte za razdoblje dulje od 1 mjeseca.

Ulijevanje goriva

- Obavezno koristite posudu za gorivo s ventilom za sprječavanje izlivanja.
- Ako se u posudi nalazi gorivo, izlijte neželjeno gorivo i isušite ju.
- Područje uz čep spremnika goriva mora biti čisto.
- Posude za gorivo protresite prije ulijevanja mješavine u spremnik za gorivo.

Uhodavanje

- Tijekom prvih 10 sati rada ne primjenjujte puni gas bez opterećenja kroz dulje razdoblje.

Pokretanje i zaustavljanje

Pregled prije pokretanja

1. Pobrinite se da na proizvodu nema dijelova koji nedostaju, koji su oštećeni, olabavljeni ili pohabani.
2. Proverite jesu li matice, vijci i svornjaci pritegnuti.
3. Pobrinite se da nisu oštećeni noževi ili glava trimera.
4. Pobrinite se da je zaporna matica pritegnuta. Pogledajte *Pregled zaporne matice na stranici 183*.
5. Proverite je li filter zraka začepljen.
6. Proverite ispravnost sigurnosnih uređaja na proizvodu.
7. Proverite curi li gorivo iz proizvoda.

Prilagodba naramenice



UPOZORENJE: Proizvod uvijek mora biti pravilno pričvršćen na naramenice. Ne upotrebljavajte neispravne naramenice.

1. Odjenite naramenice.
2. Povežite proizvod s naramenicama.
3. Prilagodite naramenice za najbolji radni položaj.

4. Bočne naramenice prilagodite tako da opterećenje težinom proizvoda podjednako rasporedite na ramena. (Sl. 34)
5. Naramenice prilagodite tako da je rezni nastavak paralelan s tlom.
6. Neka rezni nastavak lagano dodiruje tlo. Prilagodite stezaljku naramenice kako biste pravilno uravnotežili proizvod.

Napomena: Ako upotrebljavate nož za travu, on mora lebdjeti približno 10 cm /4 in iznad tla.

Pokretanje hladnog motora

1. 10 puta pritisnite pumpicu za gorivo. (Sl. 35)
2. Regulator čoka povucite prema gore. (Sl. 36)
3. Kucište proizvoda lijevom rukom pritisnite uz tlo. (Sl. 37) Nemojte nagaziti na proizvod. Polako povlačite ručicu užeta za pokretanje dok ne osjetite otpor. Tada snažno povucite ručicu užeta za pokretanje.

Napomena: Tijekom pokretanja motora nemojte povlačiti regulator gasa.

4. Nastavite povlačiti ručicu užeta pokretača do pokretanja ili pokušaja pokretanja motora (maks. 3 povlačenja). Kada započne pokretanje motora, pritisnite regulator čoka. Nastavite povlačiti do pokretanja motora. Nakon pokretanja pričekajte 60 s prije povlačenja regulatora gasa.



OPREZ: Uže pokretača nemojte povlačiti dok se ne zaustavi. Nemojte ispuštati potpuno izvučeno uže pokretača. Uže pokretača ispuštajte polako. Nepoštivanjem ovih uputa možete uzrokovati oštećenje motora.

Pokretanje zagrijanog motora

1. 10 puta pritisnite pumpicu za gorivo.
2. Povlačite uže za pokretanje do pokretanja motora.

Pokretanje motora kada je gorivo prevruće

Ako se proizvod ne može pokrenuti, možda je gorivo prevruće.

Napomena: Uvijek koristite novo gorivo i skratite rad u toplom vremenu.

1. Proizvod stavite na hladno mjesto podalje od izravnog sunčeva svjetla.
2. Pustite da se proizvod hladi najmanje 20 minuta.
3. Pumpicu za gorivo opetovano pritiščite 10 – 15 sekunda.
4. Primijenite postupak za pokretanje hladnog motora. Pogledajte *Pokretanje hladnog motora na stranici 180*.

Za zaustavljanje

- Za zaustavljanje motora pritisnite prekidač za zaustavljanje. (Sl. 21)

Napomena: Prekidač za zaustavljanje automatski se vraća u početni položaj.

Korištenje trimera za travu



OPREZ: Nakon svake radnje usporite motor na broj okretaja u praznom hodu. Dugotrajni rad neopterećenog motora pod punim gasom može uzrokovati njegovo oštećenje.

Napomena: Pri postavljanju novog flaksa trimera očistite poklopac glave trimera kako biste spriječili vibracije. Pregledajte i po potrebi očistite druge dijelove glave trimera.

Podrezivanje trave

1. Glavu trimera držite neposredno iznad tla i pod kutom. Flaks trimera nemojte utiskati u travu. (Sl. 38)
2. Smanjite duljinu flaksa trimera za 10 – 12 cm / 4 – 4,75 in.
3. Smanjite broj okretaja kako biste smanjili rizik od oštećenja bilja.
4. Ako kosite travu u blizini predmeta, koristite 80 % gasa. (Sl. 39)

Košnje trave

1. Flaks trimera za travu tijekom košnje trave mora biti paralelan s tlom. (Sl. 40)
2. Glavu trimera nemojte pritiskati na tlo. Tako možete oštetiti proizvod
3. Pri košnji trave pomičite proizvod s jedne na drugu stranu. Dajte puni gas. (Sl. 41)

Čišćenje trave s rezačem trave

1. Noževi za travu i rezači trave ne smiju se koristiti za stabljike slične drveću.
2. Nož za travu upotrebljava se za sve vrste visoke ili čvrste trave.

3. Trava se kosi poprečnim njihajućim pokretom, pri čemu je pokret s desna na lijevo zamah za čišćenje, a pokret s lijeva na desno povratni zamah. Neka rezanje obavlja lijeva strana noža (između 8 i 12 sati).
4. Ako tijekom čišćenja trave nož nagnete ulijevo, trava se sakuplja na pravcu i lakše ju je sakupiti, primjerice grabljanjem.
5. Nastojite raditi u ritmu. Stanite čvrsto raširenih nogu. Nakon povratnog zamaha pomaknite se prema naprijed i ponovno zauzmite čvrsti stav.
6. Kapa noža treba se lagano naslanjati na tlo. Ona će zaštititi list od dodira sa tlom.
7. Smanjite opasnost od omatanja materijala oko noža radeći uvijek pod punim gasom i izbjegavanjem prethodno pokošenog materijala tijekom povratnog zamaha.
8. Prije sakupljanja pokošenog materijala zaustavite motor, skinite naramenice i spustite stroj na tlo.

Glava trimera za travu

- Flaks trimera za travu čvrsto i ravnomjerno zategnite oko bubnja kako biste smanjili vibracije.
- Koristite isključivo odobrene glave trimera za travu i flaks trimera za travu. Pogledajte *Dodaci na stranici 185*.
- Koristite ispravnu duljinu flaksa trimera za travu. Dugi flaks trimera za travu više opterećuje motor od kratkog flaksa trimera za travu.
- Provjerite ispravnost noža na štitniku rezne opreme.
- Flaks trimera za travu prije postavljanja na proizvod 2 dana natapajte u vodi. Tako produžujete vijek trajanja flaksa trimera za travu.

Zamjena flaksa trimera

(Sl. 42)
(Sl. 43)
(Sl. 44)
(Sl. 45)
(Sl. 46)
(Sl. 47)
(Sl. 48)
(Sl. 49)

Održavanje

Uvod



UPOZORENJE: Prije održavanja morate pročitati i usvojiti poglavlje o sigurnosti.

Za sve radove servisiranja i održavanja na proizvodu potrebna je posebna obuka. Jamčimo dostupnost profesionalnih popravaka i servisa. Ako vaš distributer

nije serviser, od njega zatražite informacije o najbližem serviseru.

Raspored održavanja

Tjedno održavanje

- Očistite vanjske površine.
- Rezni nastavak ne smije se kretati u praznom hodu. Pogledajte *Podešavanje broja okretaja u praznom hodu na stranici 182*.

- Provjerite razinu maziva u konusnom zupčaniku. Pogledajte *Podmazivanje konusnog zupčanika na stranici 182*.
- Pregledajte sigurnosnu maticu. Pogledajte *Pregled zaporne matice na stranici 183*.

Mjesečno održavanje

- Pobrinite se da ručica užeta pokretača i uža pokretača nisu oštećeni.

Godišnje održavanje

- Pregledajte svječicu. Pogledajte *Pregled svječice na stranici 182*.
- Očistite vanjske površine rasplinjača te okolne površine.
- Očistite rashladni sustav.
- Pregledajte mrežicu za hvatanje iskri. Pogledajte *Održavanje mrežice za hvatanje iskri na stranici 182*.
- Pregledajte filter goriva.
- Provjerite je li neoštećeno crijevo za gorivo.
- Provjerite jesu li neoštećeni kabeli i priključci na proizvodu.

Podešavanje broja okretaja u praznom hodu

- Prije podešavanja broja okretaja u praznom hodu provjerite je li filter zraka čist i je li postavljen poklopac filtra.
- Broj okretaja u praznom hodu podešavate vijkom za podešavanje broja okretaja u praznom hodu T kojeg možete prepoznati po oznaci "T".
- Broj okretaja motora u praznom hodu ispravan je kada motor radi ugladeno u svim položajima. Broj okretaja motora u praznom hodu mora biti manji od broja okretaja pri kojem se rezna oprema počinje okretati.

1. Vijak za podešavanje broja okretaja u praznom hodu okrećite u smjeru kazaljke na satu sve dok se rezna oprema ne počne okretati. (Sl. 50)
2. Vijak za podešavanje broja okretaja u praznom hodu okrećite u smjeru suprotnom od kazaljke na satu sve dok se rezna oprema ne zaustavi.

Održavanje mrežice za hvatanje iskri

Mrežicu za hvatanje iskri očistite žičanom četkicom. (Sl. 51)

Čišćenje rashladnog sustava

Dijelove rashladnog sustava očistite četkicom.

(Sl. 52)

Pregled svječice



OPREZ: Koristite preporučene svječice. Zamjena mora biti jednaka dijelu koji je isporučio proizvođač. Neprikladna svječica može oštetiti proizvod.

1. Svječicu pregledajte kada:
 - a) motor nema snage.
 - b) se motor teško pokreće.
 - c) motor ne radi ispravno u praznom hodu.
2. Ako je motor teško koristiti ili održavati u radu, provjerite ima li na svječici nepoželjnih materijala. Za smanjenje opasnosti od nepoželjnog materijala na elektrodama svječice:
 - a) provjerite ispravnu podešenost broja okretaja u praznom hodu.
 - b) provjerite ispravnost mješavine goriva.
 - c) provjerite je li filter zraka čist.
3. Očistite zaprljanu svječicu. Provjerite jesu li razmaci između elektroda ispravni. (Sl. 53)
4. Svječicu zamijenite po potrebi.

Održavanje filtra zraka

Čišćenje filtra zraka

1. Skinite poklopac filtra zraka i izvadite filter zraka. (Sl. 54)
2. Očistite filter zraka vrućom sapunicom. Filter zraka mora biti suh prije ugradnje.
3. Ako je filter zraka previše onečišćen i ne možete ga u potpunosti očistiti, zamijenite ga. Oštećeni filter zraka obavezno zamijenite.
4. Ako proizvod ima pjenasti filter zraka, koristite ulje za filter zraka. Ulje za filter zraka nanosite samo na pjenasti filter. Ulje nemojte nanositi na filter od filca.

Nanošenje ulja za filter zraka na filter zraka



OPREZ: Za pjenaste filtera zraka obavezno koristite posebno ulje za filtre goriva. Nemojte koristiti druge vrste ulja.



UPOZORENJE: Spriječite kontakt ulja s vašim tijelom.

1. Skinite poklopac filtra zraka i izvadite filter zraka. (Sl. 55)
2. Filter zraka stavite u plastičnu vrećicu.
3. Ulijte ulje za filter zraka u plastičnu vrećicu. (Sl. 56)
4. Pritisnite plastičnu vrećicu kako biste omogućili ravnomjeran raspored ulja u filtru.
5. Pritisnite filter zraka u vrećici kako biste istisnuli nepotrebno ulje iz zračnog filtra. Izvadite filter zraka iz vrećice.
6. Ugradite filter zraka.

Podmazivanje konusnog zupčanika

3/4 konusnog zupčanika mora biti napunjeno mazivom za konusni zupčanik.

Pregled zaporne matice



OPREZ: Nakon svake 10. uporabe zamijenite zapornu maticu.

1. Okrećite zapornu maticu suprotno smjeru kretanja kazaljke na satu radi pritezanja zaporne matice. Okrećite zapornu maticu u smjeru kretanja kazaljke na satu za uklanjanje zaporne matice. (Sl. 58)
2. Pobrinite se da je nemoguće ručno okrenuti najlonsku podstavu zaporne matice. Najlonska podstava mora osiguravati minimalni otpor od 1,5 Nm / 1,1 ft/lb.
3. Pritegnite zapornu maticu zakretnim momentom od 35 – 50 Nm / 26 – 36 ft/lb ako je otpor ispod minimalnog.



OPREZ: Ako previše pritegnete zapornu maticu, navoji se mogu oštetiti.

Naoštavanje noža za travu i rezača za travu



UPOZORENJE: Zaustavite motor. Upotrijebite zaštitne rukavice.

- Pogledajte upute isporučene s reznim priborom kako biste pravilno naoštrili nož za travu ili rezač za travu.
- Naoštrite sve rubove jednoliko kako biste održali ravnotežu.
- Upotrijebite jednom nazubljenu ravnu turpiju. (Sl. 59)



UPOZORENJE: Oštećeni nož obavezno odbacite. Nemojte pokušavati izravnati savijeni ili iskrivljeni nož kako biste ga ponovno upotrijebili.

Rješavanje problema

Motor se ne pokreće

Provjera	Mogući uzrok	Postupak
Sklopka za zaustavljanje.	Provjerite je li sklopka za zaustavljanje u položaju za zaustavljanje.	Sklopku za zaustavljanje postavite u položaj za pokretanje.
Startne kopče.	Startne kopče ne mogu se slobodno pomicati.	Uklonite poklopac pokretača i očistite prostor oko startnih kopči. Zatražite pomoć od odobrenog servisera.
Spremnik za gorivo.	Neispravna vrsta goriva.	Ispraznite spremnik za gorivo i ulijte ispravno gorivo.
Svjećica.	Svjećica je prljava ili mokra.	Provjerite je li svjećica suha i čista.
	Razmak elektroda svjećice nije ispravan.	Očistite svjećicu. Provjerite ispravnost razmaka između elektroda. Svjećica mora imati zaštitu od radio valova. Ispravan zazor elektroda potražite u tehničkim podacima.
	Svjećica nije zategnuta.	Zategnite svjećicu.

Motor se pokreće, no potom zaustavlja

Provjera	Mogući uzrok	Postupak
Spremnik za gorivo	Neispravna vrsta goriva.	Ispraznite spremnik za gorivo i napunite ga ispravnim gorivom.
Filtar zraka	Filtar zraka je začepljen.	Očistite filtarski zrak.

Prijevoz, spremanje i zbrinjavanje

Prijevoz i skladištenje

- Prije transporta ili skladištenja pričekajte na hlađenje proizvoda.
- Prije dugotrajnog skladištenja uklonite lulicu svjećice.
- Pričvrstite proizvod tijekom transporta. Sprječite njegovo pomicanje.
- Tijekom transporta i skladištenja ne smije doći do ispuštanja goriva, isparavanja goriva, iskrenja ili požara.
- Za transport i skladištenje postavite prijenosni štitnik.
- Prije dugotrajnog skladištenja očistite i servisirajte proizvod.

Tehnički podaci

Tehnički podaci

	325R A05328CBHV
Motor	
Zapremnina cilindara, cm ³	27,6
Broj okretaja u praznom hodu, o/min	2800 – 3200
Preporučeni maks. broj okretaja, o/min	8000
Snaga / maks. Izlazna snaga motora prema ISO 8893, kW/ks na okr/min	0,9 / 1,2 na 8000
Ispušni lonac s katalizatorom	Da
Broj obrtaja izlaznog vratila, o/min	7200
Sustav uključivanja	
Svjećica	Husqvarna HQT-4
Zazor elektroda, mm	0,5
Sustav goriva	
Zapremnina spremnika za gorivo, l/cm ³	0,343/343
Dimenzije proizvoda	
Težina, kg	5,5

	325R A05328CBHV
Buka³⁴	
Razina jačine zvuka, izmjerena, opremljeno nožem za travu, dB(A)	108
Razina jačine zvuka, izmjerena, opremljeno glavom trimera, dB(A)	110
Razina jačine zvuka, zajamčena (L_{WA}), opremljeno nožem za travu, dB(A)	112
Razina jačine zvuka, zajamčena (L_{WA}), opremljeno glavom trimera, dB(A)	114
Razine buke³⁵	
Razina pritiska zvuka na uhu korisnika, opremljeno nožem za travu, dB(A)	96
Razina pritiska zvuka na uhu korisnika, opremljeno glavom trimera, dB(A)	95
Razine vibracije³⁶	
Ekvivalentna razina vibracija (ahv, eq), opremljeno nožem za travu, lijeva ručica, m/s^2	5,1
Ekvivalentna razina vibracija (ahv, eq), opremljeno nožem za travu, desna ručica, m/s^2	5,7
Ekvivalentna razina vibracija (ahv, eq), opremljeno glavom trimera, lijeva ručica, m/s^2	4,1
Ekvivalentna razina vibracija (ahv, eq), opremljeno glavom trimera, desna ručica, m/s^2	4,9

Dodaci

Dodaci

Odobreni dodaci	Vrsta	Štitnik reznog nastavka
Osovina s navojem	M10L	
Glava trimera	T35, 2,4 mm	588 11 79-01
Nož za travu	Trava 255-4 Ø 250	588 11 79-01

³⁴ Emisija buke izmjerena u okolini kao jačina zvuka (L_{WA}) sukladno EU Direktivi 2000/14/EC. Navedena razina jačine zvuka za ovaj proizvod izmjerena je originalnim reznim nastavkom koji daje najveću razinu zvuka. Razlika između zajamčene i izmjerene razine zvuka jest da zajamčena razina uključuje i raspršenje rezultata mjerenja i varijacija između različitih proizvoda istog modela u skladu s Direktivom 2000/14/EZ.

³⁵ Navedeni podaci za ekvivalentnu razinu tlaka zvuka za proizvod obuhvaćaju tipično statističko raspršenje (standardno odstupanje) od 1 dB (A).

³⁶ Podaci o ekvivalentnoj razini vibracije pokazuju tipičnu statističko raspršenje (standardno odstupanje) od 1 m/s^2 .

Izjava o sukladnosti EC

Sadržaj deklaracije o usklađenosti EZ-a

Tvrtka Husqvarna AB, SE 561 82 Huskvarna, ŠVEDSKA izjavljuje pod izričitom odgovornošću kako je predstavljeni proizvod:

Opis	Benzinski trimer za travu / čistač šikare
Marka	Husqvarna
Platforma / Vrsta / Model	Platforma A05328CBHV, koja predstavlja model 325R
Grupa	Serijski brojevi iz 2018. i noviji.

u potpunosti sukladan sa sljedećim EU direktivama i propisima:

Direktiva/propis	Opis
2006/42/EZ	„o strojevima“
2014/30/EU	„o elektromagnetskoj kompatibilnosti“
2000/14/EZ	„o vanjskoj buci“
2011/65/EU	„o ograničenju uporabe određenih opasnih tvari“

Primijenjene su sljedeće usklađene norme i/ili tehničke specifikacije: EN ISO 12100, EN ISO 11806-1, CISPR 12, ISO 14982, EN 50581:2012 .

U skladu s dodatkom V direktive 2000/14/EC, objavljene vrijednosti zvuka navedene su u odjeljku s tehničkim podacima u ovom priručniku i u potpisanoj EC izjavi o sukladnosti.

TÜV Rheinland N.A. je proveo dobrovoljno ispitivanje za tvrtku Husqvarna AB i izdao certifikaciju za usklađenost s EC Direktivom vijeća 2006/42/EC za strojeve.

Certifikacija u potpisanoj EC izjavi o sukladnosti primjenjiva je za sve proizvodne lokacije i zemlje podrijetla navedene na proizvodu.

Isporučeni benzinski trimer za travu / čistač šikare odgovara ispitanom primjerku.

TARTALOMJEGYZÉK

Bevezető.....	187	Hibaelhárítás.....	198
Biztonság.....	188	Szállítás, tárolás és ártalmatlanítás.....	198
Összeszerelés.....	192	Műszaki adatok.....	199
Üzemeltetés.....	193	Tartozékok.....	200
Karbantartás.....	196	EK megfeleléségi nyilatkozat.....	201

Bevezető

Kezelői kézikönyv

A kezelői kézikönyv eredeti nyelve angol. A más nyelvű kezelői kézikönyvek az angol változat fordításai.

Rendeltetésszerű használat

A termékre szerelt fűvágó késsel vagy szegélyvágó fejjel különféle növényzetet vághat.

A termék áttekintése

(ábra 1)

1. Damilfej
2. Zsírbetöltő sapka
3. Szóghajtás
4. A vágófelszerelés védőburkolata
5. Nyél
6. Leállítókapcsoló
7. Gázadagoló
8. Gázadagoló retesze
9. Fogantyú
10. Hámbilincs
11. Indítószerkezet háza
12. Gyertyapipa, gyújtógyertya
13. Berántókötél markolata
14. Üzemanyagtartály
15. Légszűrő fedél
16. Üzemanyagpumpa
17. Hidegindító kar
18. Fogantyú beállítás
19. Gázvezeték
20. Gyors üresjárat gomb
21. Heveder
22. Kombinált kulcs
23. Kezelői kézikönyv
24. Szállításnál használt védőburkolat
25. Kés
26. Támasztócsésze
27. Támkarima
28. Önbiztosító anya
29. Hajtótárcsa

Megjegyzés: A termék működtetésére nemzeti jogszabályok általi korlátozások vonatkozhatnak.

30. Rögzítőcsap
31. Hatszögkulcs

A termék szimbólumai

- (ábra 2) FIGYELMEZTETÉS! A termék veszélyes. A kezelőre és a közelben állókra is vonatkozó sérülés és halál kockázata áll fenn, amennyiben a terméket nem megfelelően és körültekintően használják. A kezelő és a közelben állók biztonságának érdekében olvassa el és tartsa be a használati utasítás minden biztonsági utasítását.
- (ábra 3) Olvassa el figyelmesen a használati utasítást, és győződjön meg róla, hogy megértette azt, mielőtt a terméket használatba veszi.
- (ábra 4) Használjon védősisakot minden olyan helyen, ahol tárgyak hullhatnak le. Használjon jóváhagyott fülvédőt. Használjon jóváhagyott védőszemüveget.
- (ábra 5) Használjon jóváhagyott védőkesztyűt.
- (ábra 6) Használjon csúszásálló munkavédelmi bakancsot.
- (ábra 7) A nyilak a fogantyú véghelyezeteit mutatják.
- (ábra 8) A termék tárgyakat repíthet szét, amelyek sérülést okozhatnak.
- (ábra 9) A kimenőtengely maximális fordulatszám.

- (ábra 10) A termék használata közben tartson legalább 15 méteres távolságot az emberektől és az állatoktól.
- (ábra 11) Készlökés veszélye, ha a vágószerkezet akadályba ütközik. A termék akár testrészeket is levághat. A termék használata közben tartson legalább 15 méteres távolságot az emberektől és az állatoktól.
- (ábra 12) Üzemanyagpumpa.
- (ábra 13) Szívató.
- (ábra 14) Minden testrészét tartsa távol a forró felületektől.
- (ábra 15) Az Európai Közösség irányelvének megfelelő környezeti zajkibocsátás. A termék kibocsátási adatai megtalálhatók a Műszaki adatok című fejezetben és a címkén.
- (ábra 16) Ez a termék megfelel a vonatkozó EK-irányelveknek.
- (ábra 17) Ez a termék megfelel a vonatkozó EAC-irányelveknek.

A sorozatszámot fel-tüntető ti-pustábla. Az **éééé** a gyártási év, a **hh** a gyártási hét, az **xxxxx** pedig a sorozatszám.

ééééhhxxxxx

Megjegyzés: A terméken szereplő többi jelölés/címke a további piacok specifikus vizsgáztatási követelményeire vonatkozik.

Termékszavatosság

A termékszavatosságra vonatkozó jogszabályok értelmében nem vagyunk felelősek a termékeink által okozott károkért az alábbi esetekben:

- a termék javítását helytelenül végezték;
- a termék javítása nem a gyártótól származó vagy általa jóváhagyott alkatrészekkel történt;
- a terméket nem a gyártótól származó vagy általa jóváhagyott kiegészítővel szerelték fel;
- a termék javítását nem hivatalos szakszerviz vagy jóváhagyott egyéb szerviz végezte.

EU V



FIGYELMEZTETÉS: A motor módosítása érvényteleníti a termékre vonatkozó európai uniós típusjóváhagyást.

Biztonság

Biztonsági meghatározások

A figyelmeztetések, óvintézkedések és megjegyzések a használati utasítás kiemelten fontos részeire hívják fel a figyelmet.



FIGYELMEZTETÉS: Akkor használatos, ha a kézikönyv utasításainak be nem tartása esetén fennáll a kezelő vagy a közelben tartózkodók sérülésének vagy halálának veszélye.



VIGYÁZAT: Akkor használatos, ha a kézikönyv utasításainak be nem tartása esetén fennáll a vagyoni kár, illetve a termék vagy a környező terület károsodásának veszélye.

Megjegyzés: További információt biztosít az adott helyzetben szükséges tennivalókról.

Rezgéssel kapcsolatos biztonsági tudnivalók

Ez a termék csak alkalmanként használható. A termék folyamatos vagy rendszeres használata a rezgés miatt ujjféhéredést vagy hasonló tüneteket okozhat. Ha folyamatosan vagy rendszeresen használja a terméket, vizsgálta meg kezei és ujjai egészségi állapotát. Ha kézfeje vagy ujjai elszíneződtek, fájnak, bizserognak vagy zsibbadnak, ne folytassa a munkát, és forduljon azonnal orvoshoz.

Általános biztonsági utasítások



FIGYELMEZTETÉS: A termék használata előtt olvassa el az alábbi figyelmeztetéseket.

- Használja a terméket megfelelően. A nem megfelelő használat súlyos, akár halálos sérülésekkel is járhat. A terméket csak a kézikönyvben ismertetett feladatokra használja. Ne használja a terméket egyéb feladatokra.
- Tartsa be a kézikönyvben olvasható utasításokat. Vegye figyelembe a biztonsági jelzéseket és tartsa be a biztonsági utasításokat. Ha a kezelő nem az utasítások és a szimbólumok szerint jár el, anyagi kár, személyi sérülés, akár halál is bekövetkezhet.
- Órizza meg a kézikönyvet. Használja az utasítást a termék összeszereléséhez, működtetéséhez és a megfelelő üzemállapot fenntartásához. Használja az utasítást a kiegészítők és tartozékok megfelelő felszereléséhez. Csak jóváhagyott kiegészítőt és tartozékot használjon.
- Ne használjon sérült terméket. Tartsa be a karbantartási ütemtervet. Csak olyan karbantartási munkát végezzen, amire a kézikönyvben utasítást talál. Az összes többi karbantartási munkát bizza a hivatalos szakszervizre.
- A kézikönyv nem tartalmazhatja minden olyan helyzet leírását, ami a termék használata során előfordulhat. Legyen körültekintő és hagyatkozzon a józan eszére. Ne működtesse a terméket és ne végezzen rajta karbantartást, ha nem biztos a dolgában. Kérjen tájékoztatást a termék szakértőjétől, a forgalmazótól, szervizműhelytől vagy a hivatalos márkaszerviztől.
- Húzza le a gyertyapipát, mielőtt a termék összeszerelésébe kezd, elteszi vagy karbantartásba kezdi.
- Ne használja a terméket, ha megváltozott az eredeti specifikációja. Ne cseréljen a terméken alkatrészt a gyártó jóváhagyása nélkül. Kizárólag a gyártó által jóváhagyott alkatrészeket használja. A nem megfelelő karbantartás súlyos, akár végzetes sérüléssel is járhat.
- Ne lélegezzen be a motorból kiáramló füstöt. A motor kipufogógázainak hosszas belégzése káros lehet az egészségre.
- Ne indítsa be az egységet zárt helyiségben vagy gyúlékony anyagok közelében. A kipufogógázok forróak, és lehet bennük szikra, mely tüzet okozhat. A nem elegendő mértékű légáramlás fülladás vagy szén-monoxid miatt egészségkárosodást, akár halált is okozhat.
- A termék használatakor a motor elektromágneses mezőt hoz létre. Az elektromágneses mező károsíthatja az orvosi implantátumokat. A termék használata előtt kérje ki orvosa vagy orvosi implantátuma gyártójának tanácsát.
- A terméket gyermekek nem használhatják. Ne engedélyezze a termék használatát olyan személy

számára, aki nem ismeri a használati utasítás tartalmát.

- Csökkent fizikai vagy szellemi képességekkel rendelkező személy csak felügyelet mellett használhatja a terméket. Egy felelős felnőttnek mindig jelen kell lennie.
- A terméket zárja el olyan helyre, ahol gyermek vagy jogosulatlan személy nem férhet hozzá.
- A termék tárgyakat repíthet szét, és ezzel sérülést okozhat. Tartsa be a biztonsági előírásokat, hogy csökkenthető legyen a súlyos, akár halálos sérülések kockázata.
- Ne hagyja magára a járó motorú terméket.
- Az esetleges balesetekért a termék kezelője a felelős.
- A termék használatának megkezdése előtt ellenőrizze az alkatrészek épségét.
- A termék használatának megkezdése előtt gondoskodjon arról, hogy minimum 15 m (50 láb) távolságra kerüljön más személyektől, illetve állatoktól. Tudassa a közelben levő személyekkel, hogy használni fogja a terméket.
- Tartsa be az állami vagy helyi törvényeket. Egyes feltételek mellett ezek tilthatják vagy korlátozhatják a termék használatát.
- Ne használja a terméket, ha fáradt, illetve alkohol, kábítószer vagy gyógyszer hatása alatt áll. Ezek befolyásolhatják a látását, éberségét, koordinációját vagy ítélőképességét.

Biztonsági utasítások az összeszereléshez



FIGYELMEZTETÉS: A termék használata előtt olvassa el az alábbi figyelmeztetéseket.

- A termék összeszerelése előtt távolítsa el a gyertyapipát a gyújtógyertyáról.
- Használjon jóváhagyott védőkesztyűt.
- A motor beindítása előtt ellenőrizze, hogy megfelelően összeszerelte-e a fedelet és a nyelet.
- A hajtótárcsának és a támkarimának megfelelően rögzülnie kell a vágófelszerelés középponti nyílásában. A nem megfelelően csatlakoztatott vágófelszerelés a kezelő vagy más személyek sérülését vagy halálát okozhatja.
- A termék biztonságos használatának és a kezelő, valamint a közelben állók biztonságának érdekében a terméket mindig megfelelően csatlakoztatni kell a hevederhez.

Biztonsági utasítások az üzemeltetéshez



FIGYELMEZTETÉS: A termék használata előtt olvassa el az alábbi figyelmeztetéseket.

- A használata előtt gondoskodjon arról, hogy a termék legyen teljesen összeszerelve.
- Vigye legalább 3 m távolságra a terméket a tankolás helyétől, mielőtt beindítaná. Fektesse a terméket vízszintes felületre. Gondoskodjon arról, hogy a vágófelszerelés se a talajhoz, se egyéb tárgyakhoz ne érjen hozzá.
- A termék tárgyakat repíthet szét, amelyek szemsérülést okozhatnak. A termék használatakor viseljen jóváhagyott védőszemüveget.
- Legyen körültekintő, a termék használata közben az Ön tudta nélkül gyerekek jöhetnek a közelébe.
- Ne működtesse a terméket, ha a munkaterületen más is tartózkodik. Állítsa le a terméket, ha valaki belép a munkaterületre.
- Legyen körültekintő, hogy ne veszítse el uralmát a termék felett.
- Ne használja a terméket, ha baleset esetén nincs, aki segítsen. Mindig tudassa másokkal, hogy használni fogja a terméket, mielőtt dolgozni kezd vele.
- Csak akkor forduljon meg a termékkel, ha meggyőződött arról, hogy sem ember, sem állat nincs a biztonsági területen belül.
- Munkakezdés előtt távolítsa el minden nem kívánatos anyagot a munkaterületről. Ha a vágófelszerelés nekiütözik valaminek, az elrepülve személyi sérülést vagy anyagi kárt okozhat. A nem kívánatos anyag rátekeredhet a vágófelszerelésre és kárt okozhat.
- Ne használja a terméket rossz időjárás esetén (köd, eső, erős szél, villámcsapás kockázata vagy egyéb kedvezőtlen időjárási viszonyok). Rossz időjárás esetén veszélyes feltételek alakulhatnak ki (például csúszós talajfelület).
- Ügyeljen arra, hogy szabadon mozoghasson, és dolgozzon stabil testhelyzetben.

- (ábra 18)
- Ügyeljen arra, hogy ne eshessen el a termék használatakor. Ne görnyedve, meghajolva használja a terméket.
 - Tartsa mindig mindkét kezével a terméket. A terméket tartsa teste jobb oldalán.

- (ábra 19)
- Használat közben a vágófelszerelés legyen a derékszint alatt.
 - Ha a hidegindító karja motorindításkor hidegindítás helyzetben van, a vágófelszerelés forogni kezd.
 - Ne érjen a szöghajtáshoz, miután leállt a motor. A szöghajtás a használat során felforrósodik. A forró felületek sérülést okozhatnak.
 - Állítsa le a motort, mielőtt szállítani kezdi a terméket.
 - Ne tegye le a terméket járó motorral.
 - Mielőtt a terméken lévő, nem kívánatos anyagok eltávolításába kezd, állítsa le a motort és várja meg, amíg a vágófelszerelés leáll. Várja meg, hogy a vágófelszerelés leálljon, mielőtt Ön vagy a segítségével eltávolítja a levágtott anyagot.

Személyi védőfelszerelés



FIGYELMEZTETÉS: A termék használata előtt olvassa el az alábbi figyelmeztetéseket.

- Amikor a terméket használja, mindig viseljen megfelelő személyi védőfelszerelést. A személyi védőfelszerelés nem szünteti meg a személyi sérülés kockázatát. A személyi védőfelszerelés egy esetleges baleset esetén mérsékli a sérülés mértékét.
- A termék használatakor viseljen jóváhagyott védőszemüveget.
- Ne meztőláb vagy nyitott cipőben működtesse a terméket. Mindig viseljen erős, csúszásmentes bakancsot.
- Viseljen vastag, hosszú szárú nadrágot.
- Szükség esetén használjon jóváhagyott védőkesztyűt.
- Vegyen fel védősisakot, ha fennáll az esélye, hogy valami a fejére eshet.
- A termék használatakor viseljen jóváhagyott fülvédőt. A zajnak való tartós kitettség halláskárosodást okozhat.
- Legyen a közelben elsősegély-készlet.

Biztonsági eszközök a terméken



FIGYELMEZTETÉS: A termék használata előtt olvassa el az alábbi figyelmeztetéseket.

- Ne használjon olyan terméket, amelynek hibásak a biztonsági eszközei.
- Rendszeresen ellenőrizze a biztonsági eszközöket. Lásd az *A termék áttekintése 187. oldalon* fejezetet.
- A biztonsági eszközök meghibásodása esetén vegye fel a kapcsolatot a Husqvarna szakszervizzel.

Gázadagoló retesze

A gázadagoló retesze a gázadagoló kart rögzíti véletlen használat ellen.

(ábra 20)

A gázadagoló (B) kioldásához nyomja meg a gázadagoló reteszt (A). Amikor elengedi a fogantyút, a gázadagoló retesze és a gázadagoló is visszatér alaphelyzetbe.

1. Ellenőrizze, hogy amikor elengedi a gázadagoló reteszt (A) a gázadagoló (B) alapjáratú helyzetben rögzül.
2. Nyomja le a gázadagoló reteszt (A) és győződjön meg arról, hogy az visszatér az eredeti helyzetébe, miután felengedi.
3. Nyomja le a gázadagoló (B) és győződjön meg arról, hogy az visszatér az eredeti helyzetébe, miután elengedi.

Indítsa be a motort és adjon teljes gázt. Engedje el a gázadagolót és ellenőrizze, hogy a vágófelszerelés leáll. Ha a vágófelszerelés a gázadagoló alapjáratú helyzetében is forog, vizsgálja meg a karburátoron az alapjárat-beállító csavar helyzetét.

Leállítókapcsoló

Indítsa be a motort. Győződjön meg arról, hogy a motor leáll, amikor a leállítókapcsolót STOP helyzetbe állítja.

(ábra 21)

A vágófelszerelés védőburkolata

A vágófelszerelés védőburkolata megakadályozza, hogy az elszabadult tárgyak elérjék a kezelőt.

(ábra 22)

Vizsgálja meg a vágófelszerelés védőburkolatának épségét, és cserélje ki, ha megsérült. A vágófelszereléshez csak a jóváhagyott védőburkolatot használjon.

Kipufogódob

- Ne indítsa be a motort, ha a kipufogódob megsérült. A hibás kipufogódob növeli a zajszintet és a tűzveszélyt. Legyen a közelben tűzoltó készülék.
- Ellenőrizze rendszeresen a kipufogódob rögzítettségét.
- Ne érjen a motorhoz vagy a kipufogódobhoz, ha jár a motor. Ne érjen a motorhoz vagy a kipufogódobhoz még egy darabig, miután leállította a motort. A forró felületek sérülést okozhatnak.
- A forró kipufogódob tüzet okozhat. Legyen óvatos, ha a terméket gyúlékony folyadékok vagy gőzök közelében használja.
- Ne érjen a kipufogódob alkatrészeihez, ha a kipufogódob megsérült. Az alkatrészek rákkeltő vegyi anyagokat tartalmazhatnak.

Önbiztosító anya

Az önbiztosító anya a vágófelszerelés egyes típusainak rögzítésére szolgál.

(ábra 23)

Az önbiztosító anyát a felszerelések a vágófelszerelés forgásirányával ellenkező irányba forgatva húzza meg.

Hámot leoldó funkció



FIGYELMEZTETÉS: Ne használja a hámot, ha a leoldó funkció hibás. A termék beállításakor ellenőrizze a hámot leoldó funkció megfelelő működését.

A hámot leoldó funkció fogantyúja a termék elejénél található. A hám hevedereinek mindig a megfelelő helyzetben kell maradniuk.

(ábra 24)

Vészhelyzetben a hámot leoldó funkció segít biztonságosan leoldani a terméket.

Vágófelszerelés



FIGYELMEZTETÉS: A termék használata előtt olvassa el az alábbi figyelmeztetéseket.

- Végezzen rendszeres karbantartást. Vizsgálta át rendszeresen a vágófelszerelést szakszervizben, ahol elvégzik a szükséges beállításokat, javításokat.
 - A vágófelszerelés teljesítménye és az élettartama ezáltal egyaránt megnő,
 - a balesetveszély pedig csökken.
- Csak jóváhagyott védőburkolatot használjon a vágófelszereléshez. További tudnivalókat lásd: *Tartozékok200. oldalon.*
- Ne használjon sérült vágófelszerelést!

Fűpengék és fűvágó kések

- Használja a terméket jóváhagyott fűpengével. A fűpengét csak az összes szükséges alkatrész megfelelő felszerelése után használja. Ellenőrizze a megfelelő felszerelést és azt, hogy a megfelelő alkatrészeket használja. A nem megfelelő felszerelés miatt a kés lerepülhet, ami súlyos sérülést okozhat a kezelőnek és a körülötte tartózkodó személyeknek.
 - A kés kezeléskor és karbantartásakor viseljen védőkesztyűt.
 - Viseljen védőkesztyűt, ha a terméket fűpengével használja.
 - A fűvágó kés és a fű vágófej durvább típusú fű eltávolítására való.
 - A fűvágó kés sérülést okozhat, ha a motor leállítására vagy a gázadagoló elengedése után tovább pörög. Karbantartás előtt feltétlenül ellenőrizze, hogy a fűvágó kés teljesen leállt.
 - Mielőtt munkát végezne a vágófelszerelésen, állítsa le a motort. Győződjön meg róla, hogy a vágófelszerelés teljesen leállt. Vegye le a vezetéket a gyűjtőgyertyáról.
 - Csak jóváhagyott vágófelszerelést vagy megfelelően élezett kést használjon.
 - A penge vágófogai mindig legyenek megfelelően élezve.
- (ábra 25)
- Ne használjon sérült vágófelszerelést!
 - Legyen a szállítási védőelem a fűpengén, ha a terméket szállítja vagy tárolja.

A kés visszarúgása

- A kés visszarúgása a termék hirtelen elmozdulása oldalra, előre vagy hátrafelé. A penge visszarúgása akkor jelentkezik, ha a fűvágó kés vagy a fűrészpenge olyan tárgynak ütközik, amit nem tud elvágni. A kés visszarúgása gyakrabban következik

be olyan területen, ahol a vágandó anyagot nem lehet jól látni.

- A kés visszarugása esetén előfordulhat, hogy a termék vagy a kezelője kibillen a helyzetéből. Az elmozduló kés közeli személyeket is elérhet, így fennáll a sérülés kockázata.
- Ha a kés elgörbült, megrepedt vagy más módon megsérült, ki kell cserélni.
- Használjon éles kést A visszarugás esélye megnő, ha a kés nem éles.

Üzemanyaggal kapcsolatos biztonság



FIGYELMEZTETÉS: A termék használata előtt olvassa el az alábbi figyelmeztetéseket.

- Ne keverjen üzemanyagot beltéren vagy hőforrás közelében.
- Ne indítsa be a terméket, ha üzemanyag vagy motorolaj került rá. Távolítsa el a nem kívánt üzemanyagot/motorolajat és hagyja megszáradni a terméket. Távolítsa el a nem kívánt üzemanyagot a termékről.
- Ha a kiömlött üzemanyag a ruhájára csöppent, öltözzön át azonnal.
- Ügyeljen arra, hogy ne kerüljön üzemanyag a testére, mert az sérülést okozhat. Ha üzemanyag került a testére, távolítsa el szappannal és vízzel.
- Ne indítsa be a motort, ha olaj vagy üzemanyag került a termékre vagy Önre.
- Ne indítsa be a motort, ha szivárog a motor. Vizsgálja meg rendszeresen a motort szivárgás szempontjából.
- Bánjon óvatosan az üzemanyaggal. Az üzemanyag gyúlékony, a gőzei robbanásveszélyesek, ezért súlyos, akár végzetes sérülést is okozhat.
- Ne lélegezze be az üzemanyag gőzeit, egészségkárosodást okozhatnak. Gondoskodjon megfelelő légáramlásról.
- Az üzemanyag vagy a motor közelében ne dohányozzon.
- Az üzemanyag vagy a motor közelébe ne tegyen forró tárgyakat.
- Ne tankoljon járó motornál.
- Várja meg a tankolással, amíg lehűl a motor.
- Tankolás előtt nyissa meg lassan a tanksapkát, engedje ki óvatosan a nyomást.

- Ne beltérben tankoljon. A nem elegendő mértékű légáramlás fulladás vagy szén-monoxid miatt egészségkárosodást, akár halált is okozhat.
- Körültekintően húzza meg a tanksapkát, különben tűz keletkezhet.
- Vigye legalább 3 m (10 láb) távolságra a terméket a tankolás helyétől, mielőtt beindítaná.
- Ne töltsen túl üzemanyaggal a terméket.
- Ügyeljen arra, hogy ne forduljon elő szivárgás, amikor a terméket vagy az üzemanyagtartályt mozgatja.
- Ne vigye olyan helyre a terméket vagy az üzemanyagtartályt, ahol nyílt láng, szikra vagy őrláng található. Győződjön meg arról, hogy a tárolás helyén nem található nyílt láng.
- Csak jóváhagyott tartályt használjon az üzemanyag szállítására vagy tárolására.
- Hosszú távú tárolás előtt ürítse ki az üzemanyagot a termékből. A lefejtett üzemanyag elhelyezésekor járjon el a hatályos helyi előírások szerint.
- Hosszú távú tárolás előtt tisztítsa meg a terméket.
- Húzza le a gyertyapipát, mielőtt a terméket elteszi, hogy a motor ne indulhasson be véletlenül.

Biztonsági utasítások a karbantartáshoz



FIGYELMEZTETÉS: A terméken végzett karbantartási műveletek előtt olvassa el az alábbi figyelmeztetéseket.

- Kizárólag a jelen használati utasításban szereplő karbantartási és szervizmunkákat végezze el. Minden egyéb szervizelést és javítást professzionális szervizszeméllyel végeztessen el.
- Rendszeresen végezze el az ebben a használati utasításban megadott ellenőrzési, karbantartási és szervizmunkákat. A rendszeres karbantartás megnöveli a termék élettartamát, és csökkenti a balesetek kockázatát. Az utasításokat illetően tekintse át a következőt: *Karbantartási terv 196. oldalon.*
- Ha a karbantartás elvégzése után nem felel meg a termék a jelen használati utasításban foglalt biztonsági ellenőrzéseknek, forduljon az illetékes szakszervizhez. Garantáljuk a termékéhez megfelelő, professzionális javítást és szervizelést.

Összeszerelés

Bevezető



FIGYELMEZTETÉS: A termék összeszerelése előtt kell olvasnia és meg kell értenie a biztonságról szóló fejezetet.



FIGYELMEZTETÉS: A termék összeszerelése előtt távolítsa el a gyűjtőgyertya kábelét a gyűjtőgyertyából.

A markolat összeszerelése

1. Távolítsa el a gázadagoló fogantyúja mögötti csavart. (ábra 26)
2. Helyezze át a gázadagoló fogantyúját a fogantyúrúd jobb oldalára.
3. Igazítsa össze a fogantyúrúdban lévő csavarfuratot a gázadagoló fogantyújában lévő csavarfurattal.
4. Tolja át a csavart a furatokon. Húzza meg a csavart.
5. Rögzítse a fogantyút a nyélen található nyilak közötti részre. Húzza meg a csavart. (ábra 27)

A hámbilincs felszerelése

1. Helyezze a hámbilincset a nyélre úgy, hogy a hámbilincsen lévő hurok legyen felül. Illessze a hámbilincset a nyélen lévő nyilak fölé.
2. Illessze be a gázbovdent a hámbilincs alsó részén kialakított horonyba.
3. Igazítsa össze a hámbilincs csavarfuratait.
4. Helyezze be a két csavart a csavarfuratokba.
5. Húzza meg a csavarokat.

A vágófelszerelés felszerelése

A vágófelszerelés védőburkolatának felszerelése

1. Helyezze a vágófelszerelés védőburkolatát (A) a nyélre. (ábra 28)
2. Illessze a rögzítőelemet (B) a vágófelszerelés védőburkolatán lévő nyílásba.
3. Illessze a csavart (C) a vágófelszerelés burkolatán lévő rögzítőelem nyílásába, majd csavarja be.

A fűvágó kés összeszerelése

1. Győződjön meg arról, hogy a vágófelszerelés védőburkolata (A) fel van-e szerelve a termékre.

Lásd: *A vágófelszerelés védőburkolatának felszerelése 193. oldalon.* (ábra 29)

2. Helyezze be a rögzítőcsapot (B) a nyílásba a nyél rögzítéséhez.
3. Helyezze rá a kimenőtengelyre (D) a pengét (E), a támasztócsészét (F) és a támkarimát (G).
4. Ellenőrizze, hogy a hajtótárcsa (C) megfelelően rögzült-e a fűvágó kés központi nyílásában. (ábra 30)
5. Helyezze a záróanyát (H) a kimenőtengelyre. Tartsa a kombinált kulcs nyelét a vágófelszerelés védőburkolatához közel. Forgassa a kombinált kulcsot az óramutató járásával ellentétes irányba a záróanya megszorításához. Húzza meg a záróanyát 35–50 Nm nyomatékkal.
6. Távolítsa el a rögzítőcsapot.

A damilfej felszerelése

1. Győződjön meg arról, hogy a vágófelszerelés védőburkolata (A) fel van-e szerelve a termékre. Lásd: *A vágófelszerelés védőburkolatának felszerelése 193. oldalon.* (ábra 31)
2. Győződjön meg arról, hogy a hajtótárcsa (C) fel van-e szerelve a kimenőtengelyre (D).
3. Helyezze be a rögzítőcsapot (B) a nyílásba a nyél rögzítéséhez.
4. Helyezze a damilfejet (E) a kimenőtengelyre.
5. Forgassa a damilfejet az óramutató járásával ellentétes irányba, ezzel rögzítve azt a kimenőtengelyen. (ábra 32)
6. Távolítsa el a rögzítőcsapot.

Üzemeltetés

Bevezető



FIGYELMEZTETÉS: A termék működtetése előtt el kell olvasnia és meg kell értenie a biztonságról szóló fejezetet.

Üzemanyag

A termékben kétütemű motor működik.



VIGYÁZAT: A nem megfelelő üzemanyag használata a motor károsodásához vezethet. Benzin és kétütemű motorolaj keverékét használja üzemanyagként.

Előkevert üzemanyag

- A jó teljesítmény és a motor élettartamának megnövelése érdekében jó minőségű, előkevert Husqvarna alkilüzemanyagot használjon. Ez az üzemanyagtípus kevesebb a hagyományos üzemanyagokhoz képest kevesebb vegyszert tartalmaz, így a kipufogó károsanyag-kibocsátása is mérséklődik. Az égés után visszamaradó anyagok mennyisége ezen üzemanyag esetében kevesebb, ami tisztább állapotban tartja a motor alkotóelemeit.

Az üzemanyag keverése

Benzin



VIGYÁZAT: Ne használjon 90 RON (87 AKI) oktánszámúnál gyengébb benzint. Ezzel kárt tehet a termékben.



VIGYÁZAT: Ne használjon olyan benzint, ami több mint 10% etanolt tartalmaz (E10). Ezzel kárt tehet a termékben.

- Használjon friss, minimum 90 RON (87 AKI) oktánszámú és 10%-nál kevesebb etanolt (E10) tartalmazó, ólmozatlan benzint.
- Használjon magasabb oktánszámú benzint, ha gyakran használja a terméket folyamatosan magas fordulatszámon.

Kétütemű motorhoz való olaj

- A legjobb eredmények és teljesítmény érdekében használjon Husqvarna kétütemű motorolajat.
- Ha nem áll rendelkezésre Husqvarna kétütemű motorolaj, használjon más jó minőségű, léghűtéses motorokhoz készült kétütemű olajat. A megfelelő olaj kiválasztását illetően forduljon az illetékes szakszervizhez.



VIGYÁZAT: Ne használjon vízhűtéses külső motorokhoz való kétütemű motorolajat (más néven „outboard” olajat). Soha ne használjon négyütemű motorokhoz való olajat.

Benzin és kétütemű olaj összekeverése

Benzin, liter	Kétütemű olaj, liter
	2% (50:1)
5	0,10
10	0,20
15	0,30
20	0,40



VIGYÁZAT: Kisebb mennyiségű üzemanyag kikeverésekor fennáll a veszélye, hogy az apróbb hibák jelentősen befolyásolják a keverési arányt. A helyes keverési arány érdekében gondosan mérje ki a keverékhez adagolandó olaj mennyiségét.

(ábra 33)

1. Töltse bele a benzin felét egy üzemanyaghoz való, tiszta tartályba.

2. Töltse be a teljes olajmennyiséget.
3. Rázza össze az üzemanyag-keveréket.
4. Öntse bele a benzin megmaradó részét a tartályba.
5. Óvatosan rázza össze az üzemanyag-keveréket.



VIGYÁZAT: Ne keverjen be 1 havi adagnál több üzemanyagot egyszerre.

Tankolás

- Mindig túlcordulás-védelemmel ellátott üzemanyagtartályt használjon.
- Ha maradt a tartályban, távolítsa el a nem kívánt üzemanyagot és szárítsa ki a tartályt.
- A tanksapka körüli területet tisztítsa le.
- Rázza össze maga előtt az üzemanyagtartályt, és tankolja meg a gépet az üzemanyag-keverékkel.

Bejáratás elvégzése

- A működés első 10 órája során ne alkalmazzon teljes gázt terhelés nélkül hosszabb időn keresztül.

Indítás és leállítás

Beindítás előtti átvizsgálás

1. Ellenőrizze, hogy a termék összes alkatrésze megvan-e, illetve nem rendelkezik-e sérült, meglazult vagy elhasznált alkatrészekkel.
2. Győződjön meg arról, hogy az anyacsavarok és a csavarok szorosan meg vannak-e húzva.
3. Ellenőrizze, hogy nem találhatók-e sérülések a késeken vagy a damilfejen.
4. Győződjön meg arról, hogy a záróanya megfelelően meg van-e húzva. Lásd: *A záróanya ellenőrzése 197. oldalon.*
5. Ellenőrizze, hogy a levegőszűrő nincs-e eltömődve.
6. Ellenőrizze, hogy nem hibásak-e a termék biztonsági eszközei.
7. Győződjön meg arról, hogy a termékből nem szivárog-e az üzemanyag.

A heveder beállítása



FIGYELMEZTETÉS: A termék mindig legyen megfelelően a hevederhez rögzítve. Ne használjon hibás hevedert.

1. Vegye fel a hevedert.
2. Csatlakoztassa a terméket a hevederhez.
3. Állítsa be a hámat úgy, hogy az a legkényelmesebb munkahelyzetet nyújtsa.
4. Állítsa be az oldalsó szíjakat úgy, hogy a termék mindkét vállára egyenlő mértékben nehezedjen. (ábra 34)

- Állítsa be úgy a hevedert, hogy a vágófelszerelés párhuzamos legyen a talajjal.
- A vágófelszerelés enyhén érintse a talajt. Állítsa be a hámbilincs helyzetét a termék megfelelő kiegyensúlyozásához.

Megjegyzés: Fűvágó kés használata esetén a terméket körülbelül 10 cm-rel a talaj fölött kell kiegyensúlyozni.

Hideg motor indítása

- Nyomja meg 10-szer az üzemanyagpumpát. (ábra 35)
- Húzza fel a szívatókart. (ábra 36)
- Nyomja a géptestet bal kézzel a talajnak. (ábra 37) Ne lépjen rá a termékre. Húzza ki lassan az indítózsínort, amíg ellenállást nem érez, majd folytassa erőből a meghúzását.

Megjegyzés: Ne húzza a gázadagolót a motor indítása közben.

- Folytassa az indítózsínór húzását, amíg a motor be nem indul vagy megpróbál beindulni (max. 3 húzás). Ha indul a motor vagy próbál indulni, nyomja le a hidegindító kart üzemelés állásba. Folytassa az indítási kísérleteket az indítózsínórral, amíg a motor beindul. Miután a motor beindult, hagyja 60 másodpercig jární, mielőtt gázt ad.



VIGYÁZAT: Az indítózsínórt ne húzza ki ütközésig. Az indítózsínór kihúzását követően ne engedje el a zsinór fogantyúját. Engedje vissza lassan az indítózsínórt. Ha nem így tesz, a motor károsodhat.

Meleg motor indítása

- Nyomja meg 10-szer az üzemanyagpumpát.
- Húzza meg az indítófogantyút, amíg a motor be nem indul.

A motor beindítása forró üzemanyag mellett

Ha a termék nem indul be, az üzemanyag túl forró lehet.

Megjegyzés: Mindig új üzemanyagot használjon, és kerülje a használatot meleg időben.

- Tegye a terméket hűvös helyre, közvetlen napsütéstől távol.
- Hagyja, hogy a termék legalább 20 percen át hűljön.
- Nyomja meg az üzemanyagpumpát többször egymás után 10-15 másodpercen át.
- Kövesse a hideg motor indításának lépéseit. Lásd: *Hideg motor indítása 195. oldalon.*

Leállítás

- A motor leállításához nyomja meg a leállítókapcsolót. (ábra 21)

Megjegyzés: A leállítókapcsoló magától visszaáll alaphelyzetbe.

A fűszegélyvágó használata



VIGYÁZAT: Minden műveletet követően hagyja visszaállni a motort alapjáratú fordulatszámra. A motort károsíthatja, ha terhelés nélkül hosszan működtetik teljes gázzal.

Megjegyzés: Damil pótlásakor tisztítsa meg a damilfej burkolatát, hogy megelőzhető legyenek a rezgések. Vizsgálja meg a damilfej többi alkatrészét, szükség esetén cserélje ki.

Fűszegély nyírás

- Tartsa a szegélynyíró fejet közvetlenül a talajszint felett ferdén. Ne nyomja bele a damilt a fűbe. (ábra 38)
- Csökkentse a fűvágó damil hosszát 10-12 cm-re.
- Csökkentse a motor fordulatszámát, hogy megóvja a növényeket a károsodástól.
- Csak 80% gázt adjon, amikor akadályok közelében végez fűnyírást. (ábra 39)

Fűnyírás

- A fűszegélyvágó damilja a fű kaszálásakor legyen párhuzamos a talajjal. (ábra 40)
- Ne nyomja le a talajra a damilfejet. Ezzel kárt tehet a termékben.
- A fűnyírást kaszáló mozdulatokkal végezze. Adjon teljes gázt. (ábra 41)

Fűritkítás fűvágó késsel

- Fűvágó kést és fű vágófejet ne használjon fás szárú növényekhez.
- A magas és erőteljes fű minden típusának ritkítása fűvágó késsel történik.
- A fűvet oldalirányban ingaszerű mozgással kaszálja, a jobbról balra induló mozdulattal ritkíthat, a balról jobbra induló mozdulattal pedig visszatér kiinduló helyzetbe. A penge a bal oldalával dolgozzon („8 és 12 óra között”).
- Ha a fűritkítás során a pengét kissé balra dönti, a fű rendbe gyűlik, amely megkönnyíti az összegyűjtést, például a gereblyézéskor.
- Igyekezzen ritmikusan dolgozni. Álljon stabilan, lábait kissé szét téve. A kiindulóhelyzetbe visszatérve lépjen előre, majd vesse meg újra lábát a talajon.

6. A támasztócsésze finoman érintkezzen a talajjal. A támasztócsésze rendeltetése, hogy ne engedje a pengét a talajnak ütközni.
7. Csökkentse a fűnyesedék penge körüli lerakódásának a kockázatát azzal, hogy mindig teljes gázon dolgozik, és elkerüli a korábban levágott nyesedéket visszalendítéskor.
8. Mielőtt a levágott anyagot összegyűjti, állítsa le a motort, akassza le a hámot, és tegye le a gépet a talajra.

Fűvágó damilfej

- A rezgés csökkentése érdekében a fűvágó damilt egyenesen, ne túl szorosan csévélje fel a dobra.
- Csak a jóváhagyott damilfejet és damilt használjon. Lásd *Tartozékok200. oldalon*.
- Használjon megfelelő hosszúságú fűvágó damilt. A hosszú fűhöz való damil nagyobb teljesítményt igényel a motortól, mint a rövid fűhöz való.

- A vágófelszerelés védőburkolatán lévő késnek épség kell lennie.
- Áztassa vízben a fűvágó damilt 2 napig, mielőtt felszereli a termékre. Ezzel megnöveli a fűvágó damil élettartamát.

A szegélyvágó damil pótlása

(ábra 42)

(ábra 43)

(ábra 44)

(ábra 45)

(ábra 46)

(ábra 47)

(ábra 48)

(ábra 49)

Karbantartás

Bevezető



FIGYELMEZTETÉS: Karbantartás előtt el kell olvasnia és meg kell értenie a biztonságról szóló fejezetet.

A gépen végzett minden szerviz- és javítási munkát szakképzettséget igényel. Garantáljuk a professzionális javítások és szervizelés lehetőségét. Ha viszonteladója nem szervizműhely, forduljon hozzájuk a legközelebbi szervizműhellyel kapcsolatban.

Karbantartási terv

Heti karbantartás

- Tisztítsa meg a külső felületeket.
- Ellenőrizze, hogy a vágófelszerelés alapjárat fordulatszámán nem mozog-e. Lásd: *Az alapjárat fordulatszám beállítása 196. oldalon*.
- Ellenőrizze a szöghajtásban lévő zsír mennyiségét. Lásd: *A szöghajtás zsírzása 197. oldalon*.
- Ellenőrizze az önbiztosító anyát. Lásd: *A záróanya ellenőrzése 197. oldalon*.

Havi karbantartás

- Ellenőrizze, hogy az indítózsínör és annak fogantyúja sértetlen-e.

Éves karbantartás

- Ellenőrizze a gyújtógyertyát. Lásd: *A gyújtógyertya ellenőrzése. 197. oldalon*.
- Tisztítsa meg a karburátor külső felületeit és a környezetét.
- Tisztítsa ki a hűtőrendszert.
- Ellenőrizze a szikrafogó hálót. Lásd: *A szikrafogó háló karbantartása 196. oldalon*.

- Ellenőrizze az üzemenyagszűrőt.
- Ellenőrizze, hogy az üzemenyag-vezeték sértetlen-e.
- Ellenőrizze, hogy a termék kábeli és csatlakozásai sértetlenek-e.

Az alapjárat fordulatszám beállítása

- Az alapjárat fordulatszám beállítása előtt gondoskodjon arról, hogy tiszta legyen a levegőszűrő és fel legyen szerelve a légszűrő fedél.
 - Az alapjárat fordulatszám beállításához használja az alapjárat fordulatszám beállító T csavart (ami „T” jelzéssel rendelkezik).
 - Az alapjárat fordulatszám akkor van helyesen beállítva, ha a motor minden helyzetben egyenesen jár. Az alapjárat fordulatszám alacsonyabbnak kell lennie a vágófelszerelés forgásához szükséges fordulatszámánál.
1. Csavarja először a T csavart az óramutató járásával megegyező irányba addig, amíg a vágófelszerelés fogogni nem kezd. (ábra 50)
 2. Csavarja a T csavart az óramutató járásával ellenkező irányba addig, amíg a vágófelszerelés forgása le nem áll.

A szikrafogó háló karbantartása

A szikrafogó háló tisztítását végezze drótkéfével. (ábra 51)

A hűtőrendszer kitisztítása.

Tisztítsa meg a hűtőrendszer alkatrészeit ecsettel. (ábra 52)

A gyújtógyertya ellenőrzése.



VIGYÁZAT: Használjon ajánlott típusú gyújtógyertyát. Az új gyertya egyezzen meg a gyártó által biztosított alkatrészszel. A nem megfelelő gyújtógyertya károsíthatja a terméket.

- Ellenőrizze a gyújtógyertyát, ha:
 - a motor gyenge;
 - nehézked az indítás;
 - egyenletlen a motor alapjárata.
- Ha a motor nehezen indul vagy gyakran leáll, ellenőrizze a gyújtógyertyát, nincs-e rajta szennyeződés. A gyújtógyertya elektródái közötti lerakódások kialakulásának csökkentése érdekében:
 - gondoskodjon az alapjáratú fordulatszám megfelelő beállításáról;
 - gondoskodjon a megfelelő üzemanyag-keverékről;
 - gondoskodjon a levegőszűrő tisztaságáról.
- Tisztítsa meg a gyújtógyertyát, ha elszennyeződött. Ellenőrizze, hogy megfelelő-e a szikraköz. (ábra 53)
- Szükség esetén cserélje ki a gyújtógyertyát.

A levegőszűrő karbantartása

A levegőszűrő megtisztítása

- Távolítsa el a levegőszűrő fedelét és a levegőszűrőt. (ábra 54)
- Meleg szappanos víz segítségével tisztítsa meg a levegőszűrőt. A levegőszűrőt teljesen szárazon szerelje csak vissza.
- Cserélje ki a levegőszűrőt, ha túlságosan elszennyeződött a kitisztításához. Mindig cserélje ki a sérült levegőszűrőt.
- Ha a termék levegőszűrője szivacs, tegyen rá légszűrőolajat. Csak szivacs levegőszűrőre tegyen légszűrőolajat. Filc szűrőre ne tegyen olajat.

Levegőszűrő kezelése légszűrőolajjal



VIGYÁZAT: A szivacs levegőszűrőt csak speciális légszűrőolajjal kezelje. Ne használjon másféle olajat.



FIGYELMEZTETÉS: Ügyeljen arra, hogy ne kerüljön Önre az olajból.

- Távolítsa el a levegőszűrő fedelét és a levegőszűrőt. (ábra 55)

- Tegye be a levegőszűrőt egy műanyag tasakba.
- Tegyen légszűrőolajat is a műanyag tasakba. (ábra 56)
- Nyomkodja meg a műanyag tasakot, hogy az olaj egyenletesen átitassa a levegőszűrőt.
- Nyomkodja ki a levegőszűrőből a felesleges olajat még a tasakban. Vegye ki a levegőszűrőt a tasakból.
- Szerelje be a levegőszűrőt.

A szöghajtás zsírása

A szöghajtás legyen 3/4 részig feltöltve szöghajtás-kenőzsírral.

(ábra 57)

A záróanya ellenőrzése



VIGYÁZAT: Cserélje ki a záróanyát minden tizedik használat után.

- A záróanya megszorításához forgassa azt az óramutató járásával ellentétes irányba. A záróanya eltávolításához forgassa azt az óramutató járásával megegyező irányba. (ábra 58)
- Győződjön meg arról, hogy kézzel nem tudja elforgatni a záróanya nejlombetétjét. A nejlombetétnek minimum 1,5 Nm ellenállást kell tanúsítania.
- Ha az ellenállás a minimális értéknel kisebb, húzza meg a záróanyát 35–50 Nm nyomatékkal.



VIGYÁZAT: Ha túl szorosra húzza a záróanyát, az a menetek sérülését okozhatja.

A fűvágó kés és a fűvágó penge élezése



FIGYELMEZTETÉS: Állítsa le a motort. Használjon védőkesztyűt.

- A fűvágó kés és a fűvágó penge megfelelő élezéséhez olvassa el a vágófelszerelés használati útmutatóját.
- Az egyensúly megtartása érdekében minden oldalt egyenlő mértékben élezen meg.
- Szimplavágású lapos reszelőt használjon. (ábra 59)



FIGYELMEZTETÉS: A sérült pengéket cserélje le. Ne próbáljon használhatóvá tenni elgörbült vagy megcsavarodott pengét.

Hibaelhárítás

A motor nem indul

Ellenőrzés	Lehetséges ok	Eljárás
Leállítókapcsoló.	A leállítókapcsoló a stop pozícióban van.	A leállítókapcsolót állítsa a start pozícióba.
Indítófogak.	Az indítófogak nem tudnak szabadon mozogni.	Vegye le az indító fedelét és tisztítsa meg az indítófogak környezetét.
		Kérje hivatalos szervizműhely segítségét a karbantartáshoz.
Üzemanyagtartály.	Nem megfelelő üzemanyag.	Engedje le az üzemanyagtartályt és töltsön be megfelelő üzemanyagot.
Gyújtógyertya.	A gyújtógyertya koszos vagy nedves.	Bizonyosodjon meg róla, hogy a gyújtógyertya száraz és tiszta.
	A gyújtógyertya szikraköze nem megfelelő.	Tisztítsa meg a gyújtógyertyát. Ellenőrizze, hogy megfelelő-e a szikraköz. Ellenőrizze, hogy a gyújtógyertyának van-e zavarészűróje.
	A gyújtógyertya kilazult.	Húzza meg a gyújtógyertyát.

A motor elindul, de leáll

Ellenőrzés	Lehetséges ok	Eljárás
Üzemanyagtartály	Nem megfelelő üzemanyag.	Engedje le az üzemanyagtartályt és töltsön be megfelelő üzemanyagot.
Légszűrő	Eltömődött a levegőszűrő.	Légszűrő tisztítása.

Szállítás, tárolás és ártalmatlanítás

Szállítás és raktározás

- Szállítás vagy tárolás előtt hagyja lehűlni a terméket.
- Hosszú távú tárolás előtt vegye le a gyertyapipát.
- Szállításkor rögzítse a terméket. Győződjön meg arról, hogy nem tud elmozdulni.
- Győződjön meg arról, hogy szállítás és tárolás során nincs esély üzemanyag-szivárgásra,

- üzemanyaggyőzők szivárgására, szikrák keletkezésére és tüzre.
- Szállításhoz és tároláshoz helyezze fel a szállítási biztosító szerkezetet.
- Hosszú távú tárolás előtt tisztítsa meg a terméket és végezzen rajta karbantartást.

Műszaki adatok

Műszaki adatok

	325R A05328CBHV
Motor	
Hengerűrtartalom, cm ³	27,6
Üresjárat fordulatszám, ford/perc	2800–3200
Javasolt maximális fordulatszámot, rpm	8000
Teljesítmény/legnagyobb motorteljesítmény az ISO 8893 szerint, kW/hp @ rpm	0,9/1,2 @ 8000
Katalizátoros hangtompító	Igen
Kimenőtengely fordulatszáma, ford/perc	7200
Gyújtásrendszer	
Gyújtógyertya	Husqvarna HQT-4
Elektródahézag, mm	0,5
Üzemanyagrendszer	
Üzemanyagtartály űrtartalma, l/cm ³	0,343/343
Termék méretei	
Tömeg, kg	5,5
Zajkibocsátás³⁷	
Hangteljesítményszint fűvágó késsel, dB(A)-ben mérve	108
Hangteljesítményszint damilfejjel, dB(A)-ben mérve	110
Hangteljesítményszint, garantált (L _{WA}), fűvágó késsel, dB(A)-ben mérve	112
Hangteljesítményszint, garantált (L _{WA}), damilfejjel, dB(A)-ben mérve	114
Zajszintek³⁸	
Hangteljesítményszint a kezelő fülénél, fűvágó késsel, dB(A)-ben mérve	96
Hangteljesítményszint a kezelő fülénél, damilfejjel, dB(A)-ben mérve	95
Rezgésszintek³⁹	

³⁷ A környezetben a 2000/14/EK sz. EK irányelvvel összhangban hangteljesítményként mért zajkibocsátás (L_{WA}). A termék jelentésben szereplő hangteljesítményszintjét a legmagasabb szintet produkáló eredeti vágó-felszereléssel mérték. A garantált és a mért hangteljesítmény közötti különbségnek az az oka, hogy a garantált hangteljesítmény tartalmazza a mérési eredményben lévő ingadozást és az azonos modellű termékek közötti eltéréseket is a 2000/14/EK jelű irányelv értelmében.

³⁸ A termék ekvivalens hangnyomásszintjére vonatkozó jelentési adatok az 1 dB (A) tipikus statisztikus ingadozásával (szórásával) rendelkeznek.

³⁹ Az ekvivalens rezgésszintre vonatkozó jelentési adatok az 1 m/s² tipikus statisztikus ingadozásával (szórásával) rendelkeznek.

	325R A05328CBHV
Egyenértékű rezgésszint (ahv, eq) fűvágó késsel, bal fogantyú, m/s ²	5,1
Egyenértékű rezgésszint (ahv, eq) fűvágó késsel, jobb fogantyú, m/s ²	5,7
Egyenértékű rezgésszint (ahv, eq) damilfejjel, bal fogantyú, m/s ²	4,1
Egyenértékű rezgésszint (ahv, eq) damilfejjel, jobb fogantyú, m/s ²	4,9

Tartozékok

Kiegészítők

Jóváhagyott tartozékok	Típus	A vágófelszerelés védőburkolata
Menetes tengely	M10L	
Damilfej	T35, 2,4 mm	588 11 79-01
Fűvágó kés	Grass 255-4, Ø 250	588 11 79-01

EK megfeleléségi nyilatkozat

Az EK-megfeleléségi nyilatkozat tartalma

A Husqvarna AB, SE 561 82 Huskvarna, SVÉDORSZÁG a saját felelősségére kijelenti, hogy a jelzett termék:

Leírás	Benzinmotoros fűszegélynyíró/fűkasza
Márka	Husqvarna
Platform / Típus / Modell	A05328CBHV platform, amely az alábbi típust képviseli: 325R.
Sarzs	2018-es és újabb sorozatszámok.

teljes mértékben megfelelnek a következő EU-irányelveknek és rendeleteknek:

Irányelv/rendelet	Leírás
2006/42/EK	„gépre vonatkozó”
2014/30/EU	„elektromágneses megfeleléségre vonatkozó”
2000/14/EK	„kültéri zajkibocsátásra vonatkozó”
2011/65/EU	„bizonyos veszélyes anyagok alkalmazásának korlátozásával kapcsolatos”

Az alábbi harmonizált szabványok és/vagy műszaki előírások kerültek alkalmazásra: EN ISO 12100, EN ISO 11806-1, CISPR 12, ISO 14982, EN 50581:2012.

A zajértékek a 2000/14/EK irányelv V. mellékletének megfelelően a használati utasításban, a műszaki adatok fejezetben, valamint az aláírt EK-megfeleléségi nyilatkozatban található.

A TÜV Rheinland N.A. önkéntes vizsgálatot végzett a Husqvarna AB számára, és az alábbi megfeleléségi nyilatkozatot bocsátotta ki az Európai Tanács gépekre vonatkozó, 2006/42/EK irányelvére vonatkozóan.

Az aláírt EK-megfeleléségi nyilatkozatban található tanúsítvány a terméken jelzettek szerint minden gyártási helyre és országra érvényes.

A szállított benzinmotoros fűszegélynyíró/fűkasza megfelel a vizsgálaton átesett példának.

Sommario

Introduzione.....	202	Anomalie di funzionamento.....	213
Sicurezza.....	203	Trasporto, stoccaggio e smaltimento.....	214
Montaggio.....	208	Dati tecnici.....	214
Funzionamento.....	208	Accessori.....	215
Manutenzione.....	211	Dichiarazione CE di conformità.....	216

Introduzione

Manuale operatore

La lingua iniziale del presente manuale operatore è l'inglese. I manuali operatore in altre lingue sono traduzioni dall'inglese.

Uso previsto

Il prodotto può essere utilizzato con una lama tagliaerba o una testina portafilo per tagliare diversi tipi di vegetazione.

Panoramica del prodotto

(Fig. 1)

1. Testina portafilo
2. Rifornimento lubrificante
3. Riduttore angolare
4. Protezione del gruppo di taglio
5. Albero
6. Interruttore di arresto
7. Grilletto acceleratore
8. Blocco del grilletto acceleratore
9. Manubrio
10. Morsetto del cinghiaggio
11. Carter avviamento
12. Cappuccio della candela, candela
13. Impugnatura cavo di avviamento
14. Serbatoio del carburante
15. Coperchio del filtro dell'aria
16. Bulbo del primer
17. Comando della valvola dell'aria
18. Regolazione impugnatura
19. Cavo acceleratore
20. Pulsante del regime di minimo veloce
21. Cinghiaggio
22. Chiave universale
23. Manuale operatore
24. Protezione di trasporto
25. Lama
26. Coppa di sostegno
27. Flangia di sostegno
28. Controdado

Nota: I regolamenti nazionali possono imporre restrizioni sull'uso del prodotto.

29. Menabrida
30. Spina di bloccaggio
31. Brugola

Simboli riportati sul prodotto

- (Fig. 2) **AVVERTENZA!** Questo prodotto è pericoloso. Possono verificarsi lesioni anche mortali all'operatore o ai passanti se il prodotto non viene usato con cautela e in modo corretto. Al fine di evitare lesioni all'operatore o ai passanti, leggere e seguire attentamente le istruzioni di sicurezza nel manuale operatore.
- (Fig. 3) Prima dell'uso, leggere per intero il manuale dell'operatore e accertarsi di aver compreso le istruzioni.
- (Fig. 4) Utilizzare un elmetto protettivo in luoghi in cui gli oggetti potrebbero cadere. Usare cuffie protettive omologate. Utilizzare protezioni per gli occhi omologate.
- (Fig. 5) Utilizzare guanti protettivi omologati.
- (Fig. 6) Utilizzare robusti stivali antiscivolo.
- (Fig. 7) Le frecce indicano i limiti consentiti per la posizione dell'impugnatura.
- (Fig. 8) Il prodotto può causare l'espulsione di oggetti in grado di provocare lesioni.
- (Fig. 9) Velocità massima dell'albero in uscita.

(Fig. 10) Tenersi a una distanza minima di 15 m / 50 ft da persone e animali quando il prodotto è in funzione.

(Fig. 11) Esiste il rischio di contraccolpo della lama se l'attrezzatura di taglio entra in contatto con un oggetto che non riesce a tagliare immediatamente. Il prodotto può tagliare parti del corpo. Tenersi a una distanza minima di 15 m / 50 ft da persone e animali quando il prodotto è in funzione.

(Fig. 12) Bulbo del primer

(Fig. 13) Comando dell'aria

(Fig. 14) Tenere le parti del corpo lontano dalle superfici roventi.

(Fig. 15) Le emissioni di rumore nell'ambiente fanno riferimento alla direttiva della Comunità Europea. Le emissioni del prodotto sono specificate nel capitolo Dati tecnici e sull'etichetta.

(Fig. 16) Il prodotto è conforme alle direttive CE vigenti.

(Fig. 17) Il prodotto è conforme alle direttive EAC vigenti.

Il marchio di fabbrica riporta il numero di serie. **aaaa** è l'anno di produzione, **ss** è la settimana di produzione e **xxxxx** è il numero di serie.

aaaassxxxxx

Nota: I restanti simboli/decalcomanie sul prodotto riguardano particolari requisiti necessari per ottenere la certificazione in altre aree commerciali.

Responsabilità del prodotto

Come indicato nelle leggi vigenti in materia di responsabilità obbligatoria sul prodotto, non siamo responsabili per eventuali danni causati dal nostro prodotto se:

- Il prodotto viene riparato in modo errato.
- Il prodotto viene riparato con parti che non provengono o non sono omologate dal produttore.
- Il prodotto contiene un accessorio che non proviene o non è omologato dal produttore.
- Il prodotto non viene riparato presso un centro di assistenza autorizzato o presso un'autorità competente.

UE V



AVVERTENZA: La manomissione del motore rende nulla l'omologazione UE del prodotto.

Sicurezza

Definizioni di sicurezza

Le avvertenze, le precauzioni e le note sono utilizzate per evidenziare le parti importanti del manuale.



AVVERTENZA: Utilizzato se è presente un rischio di lesioni o morte dell'operatore o di passanti nel caso in cui le istruzioni del manuale non vengano rispettate.



ATTENZIONE: Utilizzato se è presente un rischio di danni al prodotto, ad altri materiali oppure alla zona adiacente nel caso in cui le istruzioni del manuale non vengano rispettate.

Nota: Utilizzato per fornire ulteriori informazioni necessarie in una determinata situazione.

Sicurezza delle vibrazioni

Questo prodotto può essere utilizzato solo occasionalmente. L'utilizzo continuo o regolare del prodotto può causare la "sindrome del dito bianco" o problemi medici equivalenti causati dalle vibrazioni. In caso di utilizzo continuo o regolare del prodotto, esaminare la condizione delle mani e delle dita. Se le mani o le dita appaiono bianche, doloranti, formicolanti o intorpidite, interrompere il lavoro e rivolgersi immediatamente a un medico.

Istruzioni di sicurezza generali



AVVERTENZA: Leggere le seguenti avvertenze prima di utilizzare il prodotto.

- Utilizzare il prodotto in modo corretto. Un uso improprio può causare lesioni o la morte. Utilizzare il prodotto solo per le attività riportate nel presente manuale. Non utilizzare il prodotto per altre attività.
- Attenersi alle istruzioni contenute nel presente manuale. Rispettare i simboli di sicurezza e le istruzioni di sicurezza. In caso di mancata osservanza delle istruzioni e dei relativi simboli, si potrebbero causare lesioni personali, danni o la morte.
- Non gettare il presente manuale. Utilizzare le istruzioni per assemblare, azionare e mantenere il prodotto in buone condizioni. Utilizzare le istruzioni per installare correttamente attrezzature e accessori. Utilizzare esclusivamente attrezzature e accessori omologati.
- Non utilizzare un prodotto danneggiato. Attenersi al programma di manutenzione. Eseguire solo gli interventi di manutenzione riportati nelle istruzioni di questo manuale. Tutti gli altri interventi di manutenzione devono essere effettuati da un centro di assistenza autorizzato.
- Il presente manuale non include tutte le situazioni che possono verificarsi quando si utilizza il prodotto. Prestare la massima attenzione e usare il buon senso. Non utilizzare il prodotto o eseguire interventi di manutenzione sul prodotto se non si è sicuri. Per ulteriori informazioni parlare con un esperto del prodotto, il vostro rivenditore, l'officina o il centro di assistenza autorizzato.
- Scollegare il cavo della candela prima di assemblare il prodotto, conservarlo in magazzino o eseguire la manutenzione.
- Non utilizzare il prodotto se è stato modificato in qualche modo rispetto alle caratteristiche iniziali. Non sostituire una parte del prodotto senza previa approvazione del produttore. Utilizzare esclusivamente parti approvate dal produttore. Una manutenzione impropria può causare lesioni o la morte.
- Non respirare i fumi provenienti dal motore. L'inalazione prolungata dei fumi di scarico del motore è dannosa per la salute.
- Non avviare il prodotto in ambienti chiusi o vicino a materiale infiammabile. I fumi di scarico sono molto caldi e possono contenere scintille in grado di provocare incendi. Un flusso d'aria insufficiente può causare lesioni o la morte dovute ad asfissia o al monossido di carbonio.
- Quando si utilizza questo prodotto, il motore genera un campo elettromagnetico. Il campo elettromagnetico può danneggiare gli impianti medici. Rivolgersi al medico e al produttore degli impianti medici prima di utilizzare il prodotto.

- Non consentire ai bambini di utilizzare il prodotto. Non permettere a nessuno che non conosca le istruzioni di utilizzare il prodotto.
- Assistere sempre una persona, con capacità fisica o mentale ridotta, quando utilizza il prodotto. È necessaria sempre la supervisione di un adulto responsabile.
- Conservare il prodotto in un'area a cui bambini o persone non autorizzate non possano accedere.
- Il prodotto può espellere oggetti e causare lesioni. Attenersi alle istruzioni di sicurezza per ridurre il rischio di lesioni o morte.
- Non allontanarsi dal prodotto con il motore in funzione.
- L'operatore del prodotto è responsabile in caso di incidente.
- Verificare che i componenti non siano danneggiati prima di utilizzare il prodotto.
- Tenersi a una distanza di almeno 15 m (50 piedi) da persone o animali prima di utilizzare il prodotto. Verificare che le persone circostanti siano a conoscenza del fatto che il prodotto verrà azionato.
- Fare riferimento alle normative nazionali o locali, in quanto possono impedire o limitare il funzionamento del prodotto in determinate condizioni.
- Non utilizzare il prodotto quando si è stanchi, o sotto effetto di alcool, farmaci o medicinali. Essi possono avere effetti negativi sulla concentrazione, la vista, la capacità di valutazione o di coordinazione.

Istruzioni di sicurezza per il montaggio



AVVERTENZA: Leggere le seguenti avvertenze prima di utilizzare il prodotto.

- Rimuovere il cappuccio dalla candela prima di assemblare il prodotto.
- Utilizzare guanti protettivi omologati.
- Assicurarsi di montare correttamente il coperchio e l'albero prima di avviare il motore.
- Il menabrida e la flangia di sostegno devono inserirsi correttamente nel foro centrale del gruppo di taglio. Un gruppo di taglio collegato in modo errato può causare lesioni gravi o mortali all'utilizzatore o a terzi.
- Per utilizzare il prodotto in modo sicuro e prevenire lesioni all'operatore o ad altre persone, il prodotto deve essere sempre fissato correttamente al cinghiaggio.

Istruzioni di sicurezza per l'utilizzo



AVVERTENZA: Leggere le seguenti avvertenze prima di utilizzare il prodotto.

- Accertarsi che il prodotto sia completamente assemblato prima di utilizzarlo.
- Prima dell'avviamento, spostare il prodotto di 3 m / 10 ft dal punto in cui è stato riempito il serbatoio del carburante. Posizionare il prodotto su una superficie piana. Assicurarsi che il gruppo di taglio non venga a contatto con il terreno o con altri oggetti.
- Il prodotto può causare l'espulsione di oggetti, che può risultare pericolosa per gli occhi. Utilizzare sempre una protezione per gli occhi omologata durante l'utilizzo del prodotto.
- Prestare la massima attenzione, un bambino può avvicinarsi al prodotto senza che ve ne accorgiate durante il funzionamento.
- Non utilizzare il prodotto in presenza di persone nell'area di lavoro. Arrestare il prodotto nel caso in cui una persona entri nell'area di lavoro.
- Mantenere sempre il controllo del prodotto.
- Non utilizzare il prodotto se non è possibile ricevere soccorso in caso di incidente. Assicurarsi sempre che gli altri sappiano che azionerete il prodotto prima di iniziare a utilizzarlo.
- Non accendere il prodotto se non si è sicuri che la zona di sicurezza sia sgombra da persone o animali.
- Rimuovere tutti i materiali indesiderati dall'area di lavoro prima di iniziare. Se il gruppo di taglio colpisce un oggetto, questo può saltare fuori causando lesioni o danni. Del materiale indesiderato può avvolgersi attorno al gruppo di taglio e causare dei danni.
- Non utilizzare il prodotto in condizioni meteorologiche sfavorevoli (nebbia, pioggia, vento forte, fulmini o altre condizioni climatiche). Condizioni meteorologiche sfavorevoli possono causare situazioni di pericolo (come superfici scivolose).
- Assicurarsi di potersi muovere liberamente e lavorare in una posizione stabile.

(Fig. 18)

- Assicurarsi di essere stabili e non correre il rischio di cadere durante l'uso del prodotto. Non inclinarsi durante l'uso del prodotto.
 - Tenere sempre il prodotto con due mani. Tenere il prodotto sul lato destro del proprio corpo.
- (Fig. 19)
- Utilizzare il prodotto con il gruppo di taglio al di sotto della vita.
 - Se il comando della valvola dell'aria si trova nella posizione di starter all'avviamento del motore, il gruppo di taglio inizia a ruotare.
 - Non toccare il riduttore angolare dopo l'arresto del motore. Il riduttore angolare è caldo dopo l'arresto del motore. Superfici calde possono causare lesioni.
 - Arrestare il motore prima di spostare il prodotto.
 - Non appoggiare a terra il prodotto con il motore acceso.
 - Prima di rimuovere materiali indesiderati dal prodotto, arrestare il motore e attendere fino a quando il gruppo di taglio si arresta. Lasciare che il

gruppo di taglio si arresti prima di rimuovere il materiale tagliato.

Abbigliamento protettivo personale



AVVERTENZA: Leggere le seguenti avvertenze prima di utilizzare il prodotto.

- Indossare sempre abbigliamento protettivo personale durante l'utilizzo del prodotto. L'abbigliamento protettivo personale non elimina completamente il rischio di lesioni. L'abbigliamento protettivo personale riduce il grado di lesioni in caso di incidente.
- Utilizzare sempre una protezione per gli occhi omologata durante l'utilizzo del prodotto.
- Non utilizzare mai il prodotto a piedi nudi o con calzature aperte. Utilizzare sempre robusti stivali antiscivolo.
- Utilizzare pantaloni lunghi di tessuto pesante.
- Se necessario, utilizzare guanti protettivi omologati.
- Utilizzare un elmetto in caso di possibile caduta di oggetti in testa.
- Utilizzare sempre protezioni acustiche omologate durante l'uso del prodotto. Un rumore prolungato può provocare la perdita dell'udito.
- Tenere sempre a portata di mano la cassetta di pronto soccorso.

Dispositivi di sicurezza sul prodotto



AVVERTENZA: Leggere le seguenti avvertenze prima di utilizzare il prodotto.

- Non utilizzare un prodotto con dispositivi di sicurezza difettosi.
- Effettuare regolarmente un controllo dei dispositivi di sicurezza. Fare riferimento a *Panoramica del prodotto alla pagina 202*.
- Se i dispositivi di sicurezza sono difettosi, rivolgersi al rivenditore Husqvarna.

Blocco del grilletto acceleratore

Il fermo blocca il grilletto acceleratore.

(Fig. 20)

Spingere il fermo (A) per rilasciare il grilletto acceleratore (B). Quando si rilascia l'impugnatura, il fermo del grilletto acceleratore e il grilletto acceleratore stesso ritornano nelle posizioni iniziali.

1. Assicurarsi che il grilletto acceleratore (B) sia bloccato sul minimo quando viene rilasciato il relativo fermo (A).
2. Premere il fermo (A) del grilletto acceleratore e accertarsi che ritorni nella posizione iniziale al rilascio.
3. Spingere il grilletto acceleratore (B) e accertarsi che ritorni nella posizione iniziale al rilascio.

Avviare il motore, quindi accelerare al massimo. Rilasciare il grilletto acceleratore e controllare se il gruppo di taglio si arresta. Se il gruppo di taglio ruota mentre l'acceleratore è al minimo, controllare la vite di regolazione del minimo del carburatore.

Interruttore di arresto

Avviare il motore. Accertarsi che il motore si spenga quando si porta l'interruttore in posizione di arresto.

(Fig. 21)

Protezione del gruppo di taglio

La protezione del gruppo di taglio impedisce che un oggetto allentato venga lanciato in direzione dell'operatore.

(Fig. 22)

Esaminare la protezione del gruppo di taglio per verificare l'eventuale presenza di danni e sostituire se danneggiato. Utilizzare solo la protezione omologata per il gruppo di taglio.

Marmitta

- Non utilizzare un motore con una marmitta danneggiata. Una marmitta danneggiata aumenta il livello acustico e il rischio di incendio. Tenere sempre un estintore a portata di mano.
- Controllare con regolarità che la marmitta sia collegata al prodotto.
- Non toccare il motore o la marmitta quando il motore è acceso. Non toccare il motore o la marmitta per alcuni istanti dopo lo spegnimento del motore. Superfici calde possono causare lesioni.
- Una marmitta calda può causare un incendio. Prestare la massima attenzione se si utilizza il prodotto in prossimità di liquidi infiammabili o fumi.
- Non toccare le parti della marmitta se danneggiata. Le parti possono contenere alcune sostanze chimiche cancerogene.

Controdado

Il controdado viene utilizzato per bloccare alcuni tipi di gruppi di taglio.

(Fig. 23)

Quando si installa il controdado, serrarlo nella direzione opposta alla direzione di funzionamento del gruppo di taglio.

Funzione di rilascio del cinghiaggio



AVVERTENZA: Non utilizzare il cinghiaggio se la funzione di rilascio è difettosa. Assicurarsi che il rilascio del cinghiaggio funzioni correttamente quando si regola il prodotto.

La funzione di rilascio del cinghiaggio è sulla parte anteriore del prodotto. Le cinghie dell'imbracatura devono rimanere sempre in posizione corretta. (Fig. 24)

In caso di emergenza, la funzione di rilascio del cinghiaggio permette di sganciarsi in sicurezza dal prodotto.

Gruppo di taglio



AVVERTENZA: Leggere le seguenti avvertenze prima di utilizzare il prodotto.

- Eseguire la manutenzione ordinaria. Far esaminare il gruppo di taglio da un centro di assistenza autorizzato per eventuali regolazioni o riparazioni.
 - Le prestazioni del gruppo di taglio aumentano.
 - La durata del gruppo di taglio aumenta.
 - E riduce il rischio di incidenti.
- Utilizzare solo una protezione del gruppo di taglio omologata. Per ulteriori informazioni, vedere *Accessori alla pagina 215*.
- Non utilizzare un gruppo di taglio danneggiato.

Lame e taglienti tagliaerba

- Utilizzare il prodotto con una lama tagliaerba approvata. Non utilizzare una lama tagliaerba senza aver installato in modo corretto tutte le parti necessarie. Accertarsi che l'installazione sia eseguita correttamente e che vengano utilizzate le parti corrette. Un'installazione inadeguata può provocare l'espulsione della lama e danneggiare gravemente l'operatore o i presenti.
- Indossare sempre guanti protettivi quando si maneggia la lama o quando si esegue la manutenzione.
- Utilizzare la protezione per la testa quando si aziona un prodotto con una lama tagliaerba.
- Lame e taglienti tagliaerba vengono utilizzati per tagliare l'erba più folta.
- Una lama tagliaerba può causare danni se continua a ruotare dopo che è stato arrestato il motore o che è stato rilasciato il grilletto acceleratore. Assicurarsi che la lama tagliaerba si sia completamente arrestata prima di procedere alla manutenzione.
- Spegnerne il motore prima di eseguire qualsiasi operazione sul gruppo di taglio. Accertarsi che il gruppo di taglio si arresti completamente. Togliere il cavo di accensione dalla candela.
- Utilizzare solo gruppi di taglio omologati o lame correttamente affilate.
- Mantenere i denti della lama affilati accuratamente e nel modo giusto. (Fig. 25)
- Non utilizzare un gruppo di taglio danneggiato.

- Fissare la protezione di trasporto sulla lama tagliaerba durante il trasporto o l'immagazzinamento del prodotto.

Spinta della lama

- La spinta della lama è un movimento improvviso del prodotto su un lato, in avanti o indietro. La spinta della lama si verifica quando la lama tagliaerba o la lama per sfrascatura colpisce un oggetto che non è possibile tagliare. Nelle aree dove non è facile vedere il materiale da tagliare, il rischio di spinta della lama è maggiore.
- Quando si verifica la spinta della lama, vi è pericolo che il prodotto o l'operatore si spostino dalla relativa posizione. Una lama in movimento può colpire i presenti con conseguente rischio di lesioni.
- Se una lama è piegata, presenta crinature, è rotta o danneggiata, eliminarla.
- Utilizzare una lama affilata. Il rischio di spinta della lama aumenta se la lama non è affilata.

Sicurezza nell'uso del carburante



AVVERTENZA: Leggere le seguenti avvertenze prima di utilizzare il prodotto.

- Non miscelare il carburante in un ambiente chiuso o in prossimità di una fonte di calore.
- Non avviare il prodotto nel caso in cui vi sia carburante o olio motore su di esso. Rimuovere il carburante/olio indesiderato e lasciare che il prodotto si asciughi. Rimuovere il carburante indesiderato dal prodotto.
- In caso di perdite di carburante sugli indumenti, cambiarsi immediatamente.
- Il carburante non deve arrivare a contatto con il corpo, poiché può causare lesioni. In caso di contatto del carburante con il corpo, rimuoverlo con acqua e sapone.
- Non avviare il motore in caso di contatto dell'olio o del carburante con il prodotto o con il proprio corpo.
- Non avviare il prodotto se il motore presenta una perdita. Esaminare regolarmente il motore per verificare la presenza di eventuali perdite.
- Prestare la massima attenzione con il carburante. Il carburante è infiammabile e i fumi sono esplosivi quindi possono causare lesioni o morte.
- Non respirare i fumi del carburante perché possono causare lesioni. Accertarsi che ci sia un flusso d'aria sufficiente.
- Non fumare in prossimità del carburante o del motore.
- Non posizionare oggetti caldi in prossimità del carburante o del motore.
- Non aggiungere carburante a motore acceso.
- Assicurarsi che il motore sia freddo prima di effettuare il rifornimento.

- Prima di effettuare il rifornimento, aprire lentamente il tappo del serbatoio del carburante e rilasciare la pressione con cautela.
- Non aggiungere carburante al motore in un ambiente chiuso. Un flusso d'aria insufficiente può causare lesioni o la morte dovute ad asfissia o al monossido di carbonio.
- Serrare il tappo del serbatoio del carburante con cautela, altrimenti potrebbe verificarsi un incendio.
- Prima dell'avviamento, spostare il prodotto di almeno 3 m (10 ft) dal punto in cui è stato riempito il serbatoio del carburante.
- Non rabboccare il serbatoio con una quantità eccessiva di carburante.
- Assicurarsi che non si verifichino perdite quando si sposta il prodotto o la tanica carburante.
- Non posizionare il prodotto o una tanica carburante in ambienti in cui siano presenti fiamme libere, scintille o fiamme pilota. Assicurarsi che l'area di rimessaggio non contenga fiamme libere.
- Utilizzare solo contenitori omologati per spostare il carburante o riporlo in magazzino.
- Svuotare il serbatoio del carburante prima di lunghi periodi di stoccaggio. Attenersi alle leggi locali sullo smaltimento del carburante.
- Pulire il prodotto prima di un lungo periodo di stoccaggio.
- Rimuovere il cavo della candela prima di conservare il prodotto in magazzino per assicurarsi che il motore non si avvii accidentalmente.

Istruzioni di sicurezza per la manutenzione



AVVERTENZA: Leggere le seguenti avvertenze prima di eseguire la manutenzione del prodotto.

- Eseguire solo gli interventi di manutenzione e assistenza descritti in questo manuale dell'operatore. Lasciare che il personale professionale addetto all'assistenza esegua tutti gli altri interventi di manutenzione e riparazione.
- Eseguire regolarmente i controlli di sicurezza e attenersi alle istruzioni di manutenzione e riparazione riportate nel presente manuale. La manutenzione ordinaria aumenta la durata del prodotto e riduce il rischio di incidenti. Per le istruzioni, fare riferimento a *Programma di manutenzione alla pagina 211*.
- Se i controlli di sicurezza in questo manuale dell'operatore non sono approvati dopo aver eseguito la manutenzione, rivolgersi al proprio rivenditore addetto all'assistenza. La nostra azienda garantisce la disponibilità di personale qualificato per le riparazioni e l'assistenza del prodotto.

Montaggio

Introduzione



AVVERTENZA: Prima di assemblare il prodotto, leggere e comprendere il capitolo sulla sicurezza.



AVVERTENZA: Rimuovere il cavo della candela dalla candela prima di assemblare il prodotto.

Montaggio del manubrio

1. Rimuovere la vite dietro l'impugnatura dell'acceleratore. (Fig. 26)
2. Spostare l'impugnatura dell'acceleratore verso la parte destra del manubrio.
3. Far coincidere il foro dietro l'impugnatura dell'acceleratore con il foro nel manubrio.
4. Fare in modo che la vite passi attraverso i fori. Serrare la vite.
5. Installare il manubrio tra le frecce sull'albero. Serrare la vite. (Fig. 27)

Montaggio della fascetta del cinghiaggio

1. Posizionare la fascetta del cinghiaggio sull'albero con l'anello verso l'alto. Posizionare la fascetta del cinghiaggio sopra le frecce sull'albero.
2. Mettere il filo dell'acceleratore nella scanalatura della fascetta del cinghiaggio sul lato inferiore.
3. Allineare i fori per le viti della fascetta del cinghiaggio.
4. Inserire 2 viti negli appositi fori
5. Serrare le viti.

Per montare il gruppo di taglio

Montaggio della protezione del gruppo di taglio

1. Posizionare la protezione del gruppo di taglio (A) sull'albero. (Fig. 28)

2. Posizionare la staffa (B) nella fessura della protezione del gruppo di taglio.
3. Fissare il bullone (C) alla protezione del gruppo di taglio attraverso il foro nella staffa.

Montaggio della lama tagliaerba

1. Accertarsi che la protezione del gruppo di taglio (A) sia collegata al prodotto. Vedere *Montaggio della protezione del gruppo di taglio alla pagina 208*. (Fig. 29)
2. Introdurre nel foro la spina di bloccaggio (B) per bloccare l'albero.
3. Collocare la lama (E), la coppa di sostegno (F) e la flangia di sostegno (G) sull'albero in uscita.
4. Assicurarsi che il menabrida (C) si inserisca correttamente nel foro centrale della lama. (Fig. 30)
5. Collocare il controdado (H) sull'albero in uscita. Tenere l'albero della chiave universale in prossimità della protezione del gruppo di taglio. Ruotare la chiave universale in senso antiorario per serrare il controdado. Serrare il controdado a 35-50 Nm / 26-36 ft/lb.
6. Rimuovere la spina di bloccaggio.

Montaggio della testina portafilo

1. Accertarsi che la protezione del gruppo di taglio (A) sia collegata al prodotto. Vedere *Montaggio della protezione del gruppo di taglio alla pagina 208*. (Fig. 31)
2. Assicurarsi che il menabrida (C) sia collegato all'albero in uscita (D).
3. Introdurre nel foro la spina di bloccaggio (B) per bloccare l'albero.
4. Collocare la testina portafilo (B) sull'albero in uscita.
5. Ruotare la testina portafilo in senso antiorario per serrarla all'albero in uscita. (Fig. 32)
6. Rimuovere la spina di bloccaggio.

Funzionamento

Introduzione



AVVERTENZA: Prima di utilizzare il prodotto, è necessario leggere e comprendere il capitolo relativo alla sicurezza.

Carburante

Questo prodotto è dotato di un motore a due tempi.



ATTENZIONE: Un carburante di tipo errato può causare danni al motore. Utilizzare una miscela di benzina e olio per motori a due tempi.

Carburante premiscelato

- Utilizzare carburante alchilato premiscelato Husqvarna di buona qualità, per garantire le migliori prestazioni e l'aumento della durata del motore. Questo carburante contiene sostanze chimiche meno pericolose rispetto al normale carburante, che riduce le emissioni di scarico pericolose. Con questo carburante, che mantiene i componenti del motore più puliti, la quantità di residui dopo la combustione è inferiore.

Per miscelare il carburante

Benzina



ATTENZIONE: Non utilizzare mai benzina con un numero di ottani inferiore a 90 RON (87 AKI). Ciò può causare danni al prodotto.



ATTENZIONE: Non utilizzare benzina con una concentrazione di etanolo superiore al 10% (E10). Ciò può causare danni al prodotto.

- Utilizzare sempre benzina senza piombo nuova con un numero di ottani minimo di 90 RON (87 AKI) e con una concentrazione di etanolo inferiore al 10% (E10).
- Utilizzare benzina con numero di ottani superiore se si utilizza frequentemente il prodotto a un regime alto continuo.

Olio per motori a due tempi

- Per risultati e prestazioni ottimali, utilizzare l'olio per motori a due tempi Husqvarna.
- Se l'olio per motori a due tempi Husqvarna non è disponibile, utilizzare un olio per motori a due tempi raffreddati ad aria di buona qualità. Rivolgetevi al vostro rivenditore addetto all'assistenza per selezionare il tipo di olio.



ATTENZIONE: Non usare mai olio per motori fuoribordo a due tempi raffreddati ad acqua. Non utilizzare olio per motori a quattro tempi.

Per miscelare benzina e olio per motori a due tempi

Benzina, litri	Olio a due tempi, litri
	2% (50:1)
5	0,10
10	0,20
15	0,30
20	0,40



ATTENZIONE: Piccoli errori possono influenzare drasticamente il rapporto della miscela quando si miscelano piccole quantità di carburante. Misurare con precisione la quantità d'olio e accertarsi di ottenere la giusta miscela.

(Fig. 33)

1. Riempire metà della quantità di benzina in un contenitore pulito per carburante.
2. Aggiungere la quantità totale di olio.
3. Mescolare la miscela.
4. Aggiungere la quantità residua di benzina nel contenitore.
5. Mescolare agitando con cura la miscela di carburante.



ATTENZIONE: Non mescolare il carburante più di 1 volta al mese.

Per aggiungere carburante

- Utilizzare sempre una tanica carburante con valvola antigoccia.
- Nel caso in cui sulla tanica sia presente del carburante, rimuoverlo e far asciugare la tanica.
- Assicurarsi che l'area circostante il tappo del serbatoio del carburante sia pulita.
- Agitare la tanica carburante prima di aggiungere la miscela nel serbatoio del carburante.

Per fare un rodaggio

- Durante le prime 10 ore di funzionamento, non accelerare al massimo senza carico per un periodo prolungato.

Per avviare e arrestare il motore

Esamine prima dell'avviamento

1. Assicurarsi che il prodotto non presenti parti mancanti, danneggiate, allentate o usurate.
2. Assicurarsi che i dadi, le viti e i bulloni siano ben serrati
3. Assicurarsi che le lame o la testina portafilo non siano danneggiate.
4. Assicurarsi che il controdado sia serrato. Vedere *Esame del controdado alla pagina 212*.
5. Assicurarsi che il filtro dell'aria non sia ostruito.
6. Assicurarsi che i dispositivi di sicurezza del prodotto non siano difettosi.
7. Assicurarsi che il prodotto non presenti perdite di carburante.

Regolazione del cinghiaggio



AVVERTENZA: Il prodotto deve sempre essere fissato correttamente al cinghiaggio. Non utilizzare un cinghiaggio difettoso.

1. Indossare il cinghiaggio.
2. Collegare il prodotto al cinghiaggio.
3. Regolare il cinghiaggio in modo da assumere la posizione di lavoro migliore.
4. Regolare le cinghie laterali per bilanciare la distribuzione del peso sulle spalle. (Fig. 34)
5. Regolare il cinghiaggio per far sì che il gruppo di taglio sia parallelo al terreno.
6. Fare in modo che il gruppo di taglio poggia leggermente sul terreno. Regolare la fascetta del cinghiaggio per bilanciare il prodotto correttamente.

Nota: Se si utilizza una lama tagliaerba, è necessario bilanciarla a circa 10 cm / 4 in sopra il terreno.

Avviamento del motore a freddo

1. Premere per 10 volte il bulbo del primer. (Fig. 35)
2. Tirare il comando della valvola dell'aria verso l'alto. (Fig. 36)
3. Mantenere il corpo del prodotto a terra con la mano sinistra. (Fig. 37) Non salire sul prodotto. Tirare lentamente la maniglia della fune di avviamento finché non si avverte una resistenza. Quindi, tirare la maniglia della fune di avviamento con forza.

Nota: Non tirare il grilletto acceleratore mentre si avvia il motore.

4. Continuare a tirare la maniglia della fune di avviamento fino a quando il motore si avvia o tenta di avviarsi (max. 3 volte). Se il motore si avvia o tenta di avviarsi, spingere verso il basso il comando della valvola dell'aria. Continuare a tirare fino a quando il motore non si avvia. Attendere circa 60 secondi dopo l'avvio prima di tirare il grilletto acceleratore.



ATTENZIONE: Non tirare la fune di avviamento fino a quando non si arresta. Non lasciare andare la fune di avviamento quando è completamente estesa. Rilasciare la fune di avviamento lentamente. La mancata osservanza di tali istruzioni può danneggiare il motore.

Avviamento di un motore caldo

1. Premere per 10 volte il bulbo del primer.
2. Tirare la fune di avviamento finché il motore non si avvia.

Avviamento del motore quando il carburante è troppo caldo

Se il prodotto non si avvia, il carburante potrebbe essere troppo caldo.

Nota: Utilizzare sempre carburante nuovo e ridurre il tempo di funzionamento in presenza di clima caldo.

1. Collocare il prodotto in un luogo fresco al riparo dalla luce solare diretta.
2. Lasciar raffreddare il prodotto per almeno 20 minuti.
3. Premere più volte il bulbo del primer per 10-15 secondi.
4. Adottare la procedura di avviamento del motore a freddo. Vedere *Avviamento del motore a freddo alla pagina 210*.

Per l'arresto

- Premere l'interruttore di arresto per arrestare il motore. (Fig. 21)

Nota: L'interruttore di arresto torna automaticamente alla posizione iniziale.

Per azionare il decespugliatore



ATTENZIONE: Dopo ogni operazione, far decelerare il motore fino al regime minimo. Un esercizio prolungato a pieno regime senza carico può causare danni al motore.

Nota: Pulire il coperchio della testina portafilo quando si collega un nuovo filo per impedire vibrazioni. Esaminare le altre parti della testina portafilo e pulirle secondo necessità.

Taglio dell'erba

1. Mantenere la testina portafilo a poca distanza dal terreno ed angolarla. Non spingere il filo del trimmer nell'erba. (Fig. 38)
2. Ridurre la lunghezza del filo del trimmer di 10-12 cm / 4-4,75 in.
3. Diminuire il regime del motore per ridurre il rischio di danneggiare le piante.
4. Utilizzare l'80% dell'acceleratore durante il taglio dell'erba in prossimità di oggetti. (Fig. 39)

Taglio dell'erba

1. Assicurarsi che la linea del trimmer sia parallela al terreno durante il taglio dell'erba. (Fig. 40)
2. Non spingere la testina portafilo a terra. Ciò può causare danni al prodotto.
3. Spostare il prodotto da un lato all'altro quando si taglia l'erba. Dare pieno acceleratore. (Fig. 41)

Per eliminare l'erba con una lama tagliaerba

1. Le lame e i coltelli tagliaerba non possono essere usati per i tronchi legnosi.
2. Per tutti i tipi di erba alta o robusta si usa la lama tagliaerba.
3. L'erba viene falciata con movimenti oscillanti lateralmente; il movimento da destra a sinistra costituisce il movimento di falciatura mentre il movimento da sinistra a destra è il movimento di ritorno. Lavorare col lato sinistro della lama (prendendo ad esempio l'orologio, la posizione sarebbe fra le 8 e le 12).
4. Inclinando leggermente la lama verso sinistra durante lo sfoltimento, l'erba forma un'andana che ne facilita la raccolta col rastrello.
5. Cercare di lavorare con movimenti ritmici. Assumere una posizione stabile con i piedi divaricati. Dopo il movimento di ritorno avanzare e riassumere una posizione stabile.
6. Fare in modo che la coppetta di sostegno si appoggi leggermente al terreno. La coppetta di sostegno serve a proteggere la lama dal contatto con il terreno.
7. Per evitare il rischio di materiale attorcigliato intorno alla lama, lavorare sempre a pieno acceleratore ed evitare il materiale appena tagliato nel tratto di ritorno.

8. Prima di raccogliere il materiale tagliato, spegnere il motore, sganciare il cinghiggio e appoggiare il prodotto sul terreno.

Testina portafilo del decespugliatore

- Avvolgere il filo del decespugliatore in modo che non sia lento e che sia distribuito equamente attorno al tamburo per ridurre le vibrazioni.
- Utilizzare solo le testine portafilo e i fili del decespugliatore omologati. Vedere *Accessori alla pagina 215*.
- Utilizzare il filo del decespugliatore alla lunghezza giusta. Un filo del decespugliatore lungo utilizza maggiore potenza rispetto a uno corto.
- Verificare che il tagliente sulla protezione del gruppo di taglio non sia danneggiato.
- Immergere il filo del decespugliatore in acqua per 2 giorni prima di attaccarlo al prodotto. Così facendo si aumenta la durata del filo del decespugliatore.

Sostituzione del filo del trimmer

- (Fig. 42)
- (Fig. 43)
- (Fig. 44)
- (Fig. 45)
- (Fig. 46)
- (Fig. 47)
- (Fig. 48)
- (Fig. 49)

Manutenzione

Introduzione



AVVERTENZA: Prima di svolgere la manutenzione, leggere e comprendere il capitolo relativo alla sicurezza.

Per tutti gli interventi di assistenza e riparazione sul prodotto, è necessaria una formazione specifica. La nostra azienda garantisce la disponibilità di personale qualificato per le riparazioni e l'assistenza. Se non avete acquistato il prodotto presso un rivenditore dotato di officina, informatevi sull'ubicazione della più vicina officina autorizzata.

Programma di manutenzione

Manutenzione settimanale

- Pulire le superfici esterne.
- Controllare che il gruppo di taglio non si muova al regime minimo. Vedere *Per regolare il regime minimo alla pagina 211*.
- Esaminare il livello di grasso nel riduttore angolare. Vedere *Per aggiungere il grasso al riduttore angolare alla pagina 212*.
- Esaminare il dado di bloccaggio. Vedere *Esame del controdado alla pagina 212*.

Manutenzione mensile

- Assicurarsi che l'impugnatura di avviamento e la corda non siano danneggiate.

Manutenzione annuale

- Esaminare la candela. Vedere *Per esaminare la candela alla pagina 212*.
- Pulire le superfici esterne del carburatore e le relative aree adiacenti.
- Pulire l'impianto di raffreddamento.
- Esaminare lo schermo parascintille. Vedere *Per gli interventi di manutenzione dello schermo parascintille alla pagina 212*.
- Esaminare il filtro del carburante.
- Assicurarsi che il tubo pescante non sia danneggiato.
- Accertarsi che i cavi e i collegamenti sul prodotto non siano danneggiati.

Per regolare il regime minimo

- Assicurarsi che il filtro dell'aria sia pulito e che il coperchio del filtro dell'aria sia fissato prima di regolare il regime minimo.
- Regolare il regime del minimo servendosi della vite di regolazione T, indicata con il contrassegno "T".

- Il regime del minimo è corretto quando il motore funziona uniformemente in tutte le posizioni. Deve esserci un buon margine fino al regime in cui il gruppo di taglio comincia a ruotare.
1. Ruotare la vite di regolazione del minimo in senso orario fino a quando il gruppo di taglio comincia a ruotare. (Fig. 50)
 2. Ruotare la vite di regolazione del minimo in senso antiorario fino a quando il gruppo di taglio si arresta.

Per gli interventi di manutenzione dello schermo parascintille

Utilizzare una spazzola metallica per pulire lo schermo parascintille.
(Fig. 51)

Per pulire il sistema di raffreddamento

Pulire i componenti del sistema di raffreddamento con una spazzola.

(Fig. 52)

Per esaminare la candela



ATTENZIONE: Utilizzare la candela raccomandata. Accertarsi che il ricambio corrisponda al pezzo fornito dal produttore. Una candela errata può danneggiare il prodotto.

1. Esaminare la candela quando:
 - a) Il motore funziona a bassa potenza.
 - b) Il motore non si avvia facilmente.
 - c) Il motore non funziona correttamente a regime minimo.
2. Se il motore non si avvia o non funziona facilmente, esaminare la candela per verificare l'eventuale presenza di materiali indesiderati. Per ridurre il rischio di materiale superfluo sugli elettrodi delle candele:
 - a) Accertarsi che il regime minimo sia regolato correttamente.
 - b) Accertarsi che la miscela sia corretta.
 - c) Accertarsi che il filtro dell'aria sia pulito.
3. Pulire la candela se sporca. Verificare che la distanza tra gli elettrodi sia corretta. (Fig. 53)
4. Sostituire la candela secondo necessità.

Per eseguire la manutenzione del filtro dell'aria

Per pulire il filtro dell'aria

1. Rimuovere il filtro dell'aria e il relativo coperchio. (Fig. 54)

2. Pulire il filtro dell'aria con acqua calda e sapone. Accertarsi che il filtro dell'aria sia asciutto prima di montarlo.
3. Sostituire il filtro dell'aria se è troppo sporco per poterlo pulire completamente. Sostituire sempre un filtro dell'aria danneggiato.
4. Se il prodotto dispone di un filtro dell'aria a schiuma, applicare dell'olio adeguato. Applicare olio solo a un filtro a schiuma. Non applicare olio a un filtro in feltro.

Per applicare olio al filtro dell'aria



ATTENZIONE: Utilizzare sempre olio speciale sui filtri dell'aria a schiuma. Non utilizzare altri tipi di olio.



AVVERTENZA: Evitare che l'olio vada a contatto con il proprio corpo.

1. Rimuovere il filtro dell'aria e il relativo coperchio. (Fig. 55)
2. Riporre il filtro dell'aria in un sacchetto di plastica.
3. Versare l'olio per il filtro dell'aria nel sacchetto di plastica. (Fig. 56)
4. Esercitare una pressione sul sacchetto di plastica per assicurarsi che l'olio venga distribuito in modo uniforme sul filtro dell'aria.
5. Esercitare una pressione sul filtro dell'aria, contenuto nel sacchetto di plastica, per rimuovere l'olio che non è necessario. Rimuovere il filtro dell'aria dal sacchetto.
6. Montare il filtro dell'aria.

Per aggiungere il grasso al riduttore angolare

Assicurarsi che il riduttore angolare sia pieno per 3/4 di grasso specifico.

(Fig. 57)

Esame del controdamo



ATTENZIONE: Sostituire il controdamo dopo ogni decimo utilizzo.

1. Ruotare il controdamo in senso antiorario per serrarlo. Ruotare il controdamo in senso orario per rimuoverlo. (Fig. 58)
2. Assicurarsi che non sia possibile ruotare il rivestimento di nylon con le mani. Il rivestimento di nylon deve fornire una resistenza minima di 1,5 Nm / 1,1 ft-lb.
3. Serrare il controdamo a 35-50 Nm / 26-36 ft/lb, se la resistenza è inferiore al minimo.



ATTENZIONE: Serrare eccessivamente il controdado può causare danni alle filettature.

Per affilare il coltello per erba e la lama tagliaerba



AVVERTENZA: Spegnerne il motore. Usare guanti protettivi.

- Per affilare il coltello per erba o la lama tagliaerba in modo corretto, fare riferimento alle istruzioni fornite con il gruppo di taglio.
- Affilare in modo uguale tutti i taglienti per mantenere l'equilibrio.
- Utilizzare una lima piatta a taglio semplice. (Fig. 59)



AVVERTENZA: Gettare sempre le lame danneggiate. Non tentare di raddrizzare una lama piegata o storta e utilizzarla di nuovo.

Anomalie di funzionamento

Il motore non si avvia

Controllo	Possibile causa	Procedimento
Interruttore di arresto.	Verificare che l'interruttore di arresto sia in posizione di arresto.	spostare l'interruttore di arresto in posizione di avviamento.
Ganci del motorino di avviamento.	I ganci del motorino di avviamento non possono muoversi liberamente.	Rimuovere il coperchio del motorino di avviamento e pulire la zona circostante i ganci. Chiedere aiuto a un'officina autorizzata.
Serbatoio carburante.	Tipo di carburante non adatto.	Svuotare il serbatoio del carburante e sostituire con carburante corretto.
Candela.	La candela è sporca o umida.	Accertarsi che la candela sia asciutta e pulita.
	La distanza tra gli elettrodi della candela è errata.	Pulire la candela. Assicurarsi che la distanza tra gli elettrodi sia corretta. Accertarsi che la candela sia munita di un dispositivo di soppressione. Fare riferimento ai Dati tecnici per informazioni sulla corretta distanza tra gli elettrodi.
	La candela è allentata.	Serrare la candela.

Il motore si avvia ma si arresta nuovamente

Controllo	Possibile causa	Procedimento
Serbatoio del carburante	Tipo di carburante non adatto.	Svuotare il serbatoio del carburante e sostituire con carburante corretto.
Filtro dell'aria	Il filtro dell'aria è ostruito.	Pulire il filtro dell'aria.

Trasporto, stoccaggio e smaltimento

Trasporto e rimessaggio

- Lasciar raffreddare il prodotto prima del trasporto o dello stoccaggio.
- Rimuovere il cappuccio della candela prima di lunghi periodi di stoccaggio.
- Fissare il prodotto durante il trasporto. Assicurarsi che non si possa spostare.
- Accertarsi che non vi sia rischio di perdite di carburante, fumi di carburante, fiamme libere o scintille durante il trasporto e lo stoccaggio.
- Fissare la protezione di trasporto durante il trasporto e lo stoccaggio.
- Pulire ed effettuare la manutenzione del prodotto prima di lunghi periodi di stoccaggio.

Dati tecnici

Dati tecnici

	325R A05328CBHV
Motore	
Cilindrata, cm ³	27.6
Regime minimo, giri/min	2800 - 3200
Regime di massima raccomandato, giri/min	8000
Potenza / potenza max. motore a norma ISO 8893, kW/hp giri/min.	0,9/1,2 @ 8000
Marmitta con convertitore catalitico	Sì
Regime albero in uscita, giri/min	7200
Impianto di accensione	
Candela	Husqvarna HQT-4
Distanza tra gli elettrodi, mm	0.5
Sistema di alimentazione	
Capacità del serbatoio del carburante, l/cm ³	0,343 /343
Dimensioni del prodotto	
Peso, kg	5,5
Emissioni di rumore⁴⁰	
Livello di potenza acustica, misurato, lama tagliaerba in dotazione, dB(A)	108
Livello di potenza acustica, misurato, testina portafilo in dotazione, dB(A)	110
Livello di potenza acustica, garantito (L _{WA}), lama tagliaerba in dotazione, dB(A)	112
Livello di potenza acustica, garantito (L _{WA}), testina portafilo in dotazione, dB(A)	114

⁴⁰ Emissioni di rumore nell'ambiente misurate come potenza sonora (L_{WA}) in base alla direttiva CE 2000/14/CE. Il livello di potenza acustica riportato per il prodotto è stato misurato con il gruppo di taglio originale che emette il livello massimo. La differenza tra potenza acustica misurata e garantita è che la potenza acustica garantita comprende anche la dispersione nel risultato di misurazione e le variazioni tra diversi prodotti dello stesso modello come da Direttiva 2000/14/CE.

	325R A05328CBHV
Livelli di rumorosità⁴¹	
Livello di potenza acustica all'orecchio dell'operatore, lama tagliaerba in dotazione, dB(A)	96
Livello di potenza acustica all'orecchio dell'operatore, testina portafilo in dotazione, dB(A)	95
Livelli di vibrazioni⁴²	
Livello di vibrazioni equivalente (ahv, eq), lama tagliaerba in dotazione, impugnatura sinistra, m/s ²	5.1
Livello di vibrazioni equivalente (ahv, eq), lama tagliaerba in dotazione, impugnatura destra, m/s ²	5.7
Livello di vibrazioni equivalente (ahv, eq), testina portafilo in dotazione, impugnatura sinistra, m/s ²	4.1
Livello di vibrazioni equivalente (ahv, eq), testina portafilo in dotazione, impugnatura destra, m/s ²	4.9

Accessori

Accessori

Accessori omologati	Tipo	Protezione del gruppo di taglio
Albero filettato	M10L	
Testina portafilo	T35, 2,4 mm	588 11 79-01
Lama tagliaerba	Erba 255-4, Ø 250	588 11 79-01

⁴¹ I dati riportati per il livello di pressione acustica equivalente del macchinario hanno una dispersione statistica tipica (deviazione standard) di 1 dB (A).

⁴² I dati riportati per il livello di vibrazioni equivalente hanno una dispersione statistica tipica (deviazione standard) di 1 m/s².

Dichiarazione CE di conformità

Contenuto della dichiarazione di conformità CE

Husqvarna AB, SE 561 82 Huskvarna, SVEZIA, dichiara sotto la propria esclusiva responsabilità che il prodotto indicato:

Descrizione	Decespugliatore a benzina
Marchio	Husqvarna
Piattaforma / Tipo / Modello	Piattaforma A05328CBHV, rappresentante il modello 325R.
Lotto	Numero di serie a partire dal 2018.

è pienamente conforme alle seguenti norme e direttive UE:

Direttiva/norma	Descrizione
2006/42/CE	"relativa alle macchine"
2014/30/UE	"sulla compatibilità elettromagnetica"
2000/14/CE	"relativa al rumore nell'ambiente esterno"
2011/65/UE	"restrizione dell'uso di determinate sostanze pericolose"

Le norme armonizzate e/o specifiche tecniche applicate sono le seguenti: EN ISO 12100, EN ISO 11806-1, CISPR 12, ISO 14982, EN 50581:2012 .

In conformità alla direttiva 2000/14/CE, Allegato V, i valori per i livelli sonori dichiarati sono riportati nella sezione Dati tecnici del presente manuale e nel documento firmato Dichiarazione di conformità CE.

TÜV Rheinland N.A. ha eseguito l'omologazione volontaria per conto di Husqvarna AB, emettendo il Certificato di conformità relativo alla direttiva del Consiglio 2006/42/CE sulle macchine.

Il certificato, come riportato sulla Dichiarazione di conformità CE firmata, si applica a tutti i siti produttivi e paesi d'origine, così come riportati sul prodotto.

Il decespugliatore a benzina in dotazione è conforme agli esemplari sottoposti a omologazione.

TURINYS

Ivadas.....	217	Gedimai ir jų šalinimas.....	227
Sauga.....	218	Transportavimas, saugojimas ir utilizavimas.....	228
Surinkimas.....	222	Techniniai duomenys.....	228
Naudojimas.....	223	Priedai.....	229
Priežiūra.....	225	EB atitikties deklaracija.....	230

Ivadas

Naudojimo instrukcija

Pirminė šios naudojimo instrukcijos kalba yra anglų. Naudojimo instrukcijos kitomis kalbomis yra verstos iš anglų kalbos.

Naudojimas

Įrenginys naudojamas su žolės pjovimo peiliu arba žoliapjovės galvute įvairių rūšių augmenijai pjauti.

Gaminio apžvalga

(Pav. 1)

1. Žoliapjovės galvutė
2. Tepalo filtro dangtelis
3. Kampinė pavara
4. Pjovimo įtaiso apsauga
5. Velenas
6. Stabdymo jungiklis
7. Akceleratoriaus gaidukas
8. Akceleratoriaus gaiduko fiksatorius
9. Valdymo rankena
10. Laikymo diržų apkaba
11. Starterio korpusas
12. Uždegimo žvakės antgalis, uždegimo žvakė
13. Starterio virvės rankena
14. Kuro bakelis
15. Oro filtro dangtelis
16. Oro šalinimo siurbliukas
17. Oro sklendė
18. Rankenų reguliavimo varžtas
19. Akceleratoriaus viela
20. Didelio laisvos eigos mygtukas:
21. Diržai
22. Kombinuotas veržliaraktis
23. Naudojimo instrukcija
24. Transportavimui skirtas apsauginis elementas
25. Peilis
26. Atraminis gaubtas
27. Atraminė jungė
28. Fiksavimo veržlė

Pasižymėkite: Nacionaliniai įstatymai gali nustatyti apribojimus šio produkto naudojimui.

29. Varantysis diskas
30. Fiksavimo smeigė
31. Šešiabriaunis raktas

Simboliai ant gaminio

- (Pav. 2) **ĮSPĖJIMAS!** Šis įrenginys pavojingas. Nerūpestingai arba netinkamai naudojant įrenginį gali būti sužeistas ar netgi žūti operatorius arba pašaliniai asmenys. Kad nebūtų sužeistas operatorius arba pašaliniai asmenys, perskaitykite ir laikykitės visų naudotojo instrukcijoje pateiktų saugumo nurodymų.
- (Pav. 3) Prieš naudodami, atidžiai perskaitykite naudotojo instrukciją ir įsitikinkite, kad viską gerai supratote.
- (Pav. 4) Vietose, kur ant jūsų gali užkristi daiktų, dėvėkite apsauginį šalną. Naudokite patvirtintas apsaugines ausines. Naudokite patvirtintas akių apsaugos priemones.
- (Pav. 5) Naudokite patvirtintas apsaugines pirštines.
- (Pav. 6) Avėkite patvarius, neslystančius batus.
- (Pav. 7) Rodyklės vaizduoja rankenos padėties ribas.
- (Pav. 8) Iš įrenginio gali išskrieti pašaliniai objektai, kurie gali sužeisti.
- (Pav. 9) Didžiausias galios atidavimo veleno greitis.

(Pav. 10) Naudodami įrenginį laikykitės ne mažesniu kaip 15 m / 50 pėd. atstumu nuo žmonių ir gyvūnų.

(Pav. 11) Jeigu pjovimo įranga paliečia objektą, kurio iš karto nenuipjauna, asmenys gali atšokti. Įrenginys gali nupjauti kūno dalis. Naudodami įrenginį laikykitės ne mažesniu kaip 15 m / 50 pėd. atstumu nuo žmonių ir gyvūnų.

(Pav. 12) Oro šalinimo siurbliukas.

(Pav. 13) Oro sklendė.

(Pav. 14) Jokia kūno dalimi nesilieskite prie įkaitusių paviršių.

(Pav. 15) Į aplinką skleidžiamas triukšmas atitinka Europos Bendrijos direktyvos reikalavimus. Gaminio skleidžiamas triukšmas nurodytas skyriuje „Techniniai duomenys“ ir ant etiketės.

(Pav. 16) Šis gaminys atitinka taikomas EB direktyvas.

(Pav. 17) Šis gaminys atitinka taikomas EAC direktyvas.

Duomenų plokštelė su serijos numeriu.

yyyy – pagaminimo metai, **ww** – pagaminimo savaitė ir **xxxxx** – sekos numeris.

yyyywwxxxxx

Pasižymėkite: Kiti ant gaminio pateikti simboliai (lipdukai) nurodo kitų komercinių teritorijų sertifikavimo reikalavimus.

Gaminio patikimumas

Kaip nurodyta atsakomybės už gaminį įstatymuose, mes nesame atsakingi už mūsų gaminio sukeltą žalą, jei:

- gaminys netinkamai suremontuotas.
- gaminys suremontuotas naudojant kito gamintojo arba gamintojo nepatvirtintas dalis.
- gaminys turi kito gamintojo arba gamintojo nepatvirtintą priedą.
- gaminys suremontuotas ne patvirtintame techninės priežiūros centre arba jį suremontavo ne patvirtintas atstovas.

EU V



PERSPĖJIMAS: Variklio modifikavimas panaikina šio produkto ES tipo patvirtinimą.

Sauga

Saugos ženklų reikšmės

Įspėjimai, perspėjimai ir pastabos yra skirtos atkreipti dėmesį į ypač svarbias instrukcijos dalis.



PERSPĖJIMAS: Naudojamas, kai naudotojui ar šalia esantiems asmenims kyla mirtino arba sunkaus sužeidimo pavojus arba, jei nesilaikoma naudotojo instrukcijoje pateiktų nurodymų.



PASTABA: Naudojamas, kai kyla pavojus sugadinti gaminį, kitas medžiagas arba padaryti žalą aplinkai, jei nesilaikoma naudotojo instrukcijoje pateiktų nurodymų.

Pasižymėkite: Naudojama pateikti daugiau, nei būtina esamoje situacijoje, informacijos.

Vibracijos sauga

Šis gaminys skirtas naudoti tik kartais. Nepertraukiamai arba reguliariai naudojantis gaminiu, dėl vibracijos gali atsirasti baltų pirštų sindromas arba panašios medicininės problemos. Jei gaminį naudojate nepertraukiamai arba reguliariai, įvertinkite savo rankų ir pirštų būklę. Jei rankų ar pirštų spalva pakitusi, jaučiate skausmą, dilgčiojimą ar nutirpimą, nustokite dirbti ir nedelsdami kreipkitės į gydytoją.

Bendrieji saugos nurodymai



PERSPĖJIMAS: Prieš naudodami gaminį, perskaitykite toliau esančius įspėjimus.

- Naudokite gaminį tinkamai. Netinkamai naudojant galima rimtai arba mirtinai susižeisti. Produktą

naudokite tik šiose instrukcijose nurodytiems darbams. Nenaudokite gaminio kitiems darbams.

- Paisykite šiose instrukcijose pateiktų nurodymų. Paisykite saugos simbolių ir saugos nurodymų. Naudotojui nepaisant instrukcijų ir simbolių, galima sugadinti įrangą arba susižeisti ar mirtinai susižeisti.
- Neišmeskite šių instrukcijų. Vadovaukitės šiomis instrukcijomis surinkdami ir naudodami šį gaminį bei atlikdami jo techninę priežiūrą. Vadovaukitės šiomis instrukcijomis, kad tinkamai prijungtumėte priedus. Naudokite tik patvirtintus priedus.
- Sugadinto gaminio nenaudokite. Paisykite techninės priežiūros grafiko. Atlikite tik šiose instrukcijose aprašytus priežiūros darbus. Visus kitus techninės priežiūros darbus turi atlikti patvirtintas techninės priežiūros centras.
- Šiose instrukcijose negali būti numatytos visos situacijos, su kuriomis galite susidurti naudodami gaminį. Būkite atsargūs ir apdairūs. Gaminio nenaudokite ir nevykdysite jo priežiūros darbų, jei nesate tikri dėl jo būklės. Jei reikia informacijos, kreipkitės į gaminio ekspertą, pardavimo atstovą, techninės priežiūros atstovą arba patvirtintą techninės priežiūros centrą.
- Prieš surinkdami gaminį, ruošdami jį saugoti arba atlikdami priežiūros darbus, atjunkite uždegimo žvakės kabelį.
- Nenaudokite gaminio, jei pasikeitė jo pradiniai techniniai duomenys. Nekeiskite gaminio dalių, neturinčių gamintojo patvirtinimo. Naudokite tik gamintojo patvirtintas dalis. Netinkamai prižiūrint gaminį galima susižeisti arba žūti.
- Neįkvėpkite variklio skleidžiamų dujų. Ilgalais kvėpavimas variklio išmetamosiomis dujomis pavojingas gyvybei.
- Neužveskite gaminio patalpoje arba greta degių medžiagų. Išmetamosios dujos yra karštos, jose gali būti kibirkščių, kurios gali sukelti gaisrą. Dėl oro stygiaus galima susižaloti arba žūti uždusęs arba apsinuodijus anglies monoksidu.
- Naudojant šį gaminį, variklis skuria elektromagnetinį lauką. Elektromagnetinis laukas gali sugadinti medicininis implantus. Prieš pradėdami naudoti šį gaminį, pasitarkite su savo gydytoju ir medicininio implanto gamintoju.
- Neleiskite gaminio naudoti vaikams. Neleiskite gaminio naudoti su instrukcijomis nesusipažinusiems asmenims.
- Visada prižiūrėkite gaminį naudojantį fizinę arba protinę negalią turintį asmenį. Būtinai nuolatine atsakingo suaugusiojo priežiūra.
- Užrakinkite gaminį vaikams ir nepatvirtintiems asmenims nepasiekiamoje vietoje.
- Iš gaminio gali išskrieti ir sužaloti pašaliniai objektai. Paisykite saugos nurodymų, kad sumažėtų sužeidimų arba žūties pavojus.
- Nepalikite gaminio be priežiūros, kai užvestas variklis.

- Dėl nelaimingo įvykio yra atsakingas gaminio naudotojas.
- Prieš naudodami gaminį įsitikinkite, kad jo dalys nepažeistos.
- Prieš naudodami gaminį, įsitikinkite, kad aplink jus mažesniu nei 15 m (50 pėdų) spinduliu nėra pašaliniai žmonijos arba gyvūnų. Pasirūpinkite, kad greta esantys asmenys žinotų, jog ketinate naudoti gaminį.
- Atsižvelkite į nacionalinius arba vietos įstatymus. Jie gali drausti arba riboti gaminio naudojimą konkrečiomis sąlygomis.
- Neekspluatuokite gaminio, jeigu esate pavargę, vartojote alkoholio, narkotikų ar vaistų. Tai gali paveikti jūsų regėjimą, budrumą, koordinaciją ir nuovokumą.

Surinkimo saugos instrukcijos



PERSPĖJIMAS: Prieš naudodami gaminį, perskaitykite toliau esančius įspėjimus.

- Prieš surinkdami gaminį nuo uždegimo žvakės atjunkite laidą.
- Naudokite patvirtintas apsaugines pirštines.
- Prieš užvesdami variklį įsitikinkite, kad tinkamai surinkote dangtelį ir veleną.
- Pavaros diskas ir atraminė jungė turi būti tinkamai įleisti į pjovimo įtaiso viduryje esančią angą. Netinkamai prijungtas pjovimo įtaisas gali tapti operatoriaus ar kitų asmenų sunkaus sužalojimo ar mirties priežastimi.
- Kad įrenginį būtų galima saugiai naudoti ir nebūtų sužeistas naudotojas arba kiti asmenys, įrenginys būtina turi būti tinkamai prikabinatas prie diržų.

Naudojimo saugos instrukcijos



PERSPĖJIMAS: Prieš naudodami gaminį, perskaitykite toliau esančius įspėjimus.

- Prieš naudodami gaminį įsitikinkite, kad produktas visiškai surinktas.
- Prieš pradėdami pastumkite gaminį per 3 m / 10 pėd. nuo vietos, kurioje užpildėte kuro bakelį. Padėkite gaminį ant lygaus paviršiaus. Patikrinkite, ar pjovimo įtaisas neličia žemės ar kokio kito daikto.
- Iš gaminio gali išskrieti pašaliniai objektai, kurie gali pažeisti akis. Dirbdami gaminiu visada naudokite akių apsaugos priemones.
- Būkite apdairūs – darbo metu be jūsų žinios prie gaminio gali prisirtinti vaikai.
- Jei darbo zonoje yra pašalinių asmenų, gaminio nenaudokite. Į darbo zoną įžengus pašaliniam asmeniui, išjunkite gaminį.
- Pasirūpinkite, kad niekada neparastumėte gaminio kontrolės.

- Nenaudokite gaminio, jei nelaimės atveju negalėtumėte sulaukti pagalbos. Prieš pradėdami naudoti įrenginį visada pasirūpinkite, kad aplinkiniai žinotų, jog ketinate naudoti įrenginį.
- Nesisukite su gaminio prieš tai neįsitikinę, kad saugioje zonoje nėra pašalinių asmenų arba gyvūnų.
- Prieš pradėdami pašalinkite iš darbo zonos visus pašalinius objektus. Pjovimo įtaisui užkliudžius pašalinį objektą, objektas gali išskrieti ir sužaloti arba sugadinti įrangą. Pašalinės medžiagos gali apsvyoti aplink pjovimo įtaisą ir sugadinti gaminį.
- Nenaudokite gaminio prastu oru (per rūką, lietu, esant stipriam vėjui, žaibo tikimybei ar kitoms nepalankioms oro sąlygoms). Dėl prasto vėjo gali susidaryti pavojingos sąlygos (pvz., slidūs paviršiai).
- Įsitinkite, kad galite judėti laisvai ir dirbti stabilioje padėtyje.

(Pav. 18)

- Įsitinkite, kad naudodami gaminį nenugriūsite. Naudodami gaminį nepadirkite.
- Gaminį visada laikykite abiem rankomis. Gaminį laikykite dešinėje kūno pusėje.

(Pav. 19)

- Gaminį naudokite nuleidę pjovimo įtaisą žemiau liemens.
- Jei užvedant variklį oro sklendės rankenėlė yra uždarytos oro sklendės padėtyje, pjovimo įtaisas pradeda sukstis.
- Varikliui išsijungus nelieskite kampinės pavaros. Varikliui išsijungus kampinė pvara būna įkaitusi. Įkaitę paviršiai gali sužaloti.
- Prieš perkeldami gaminį išjunkite variklį.
- Nepadėkite gaminio, kai užvestas variklis.
- Prieš pašalindami nuo gaminio nepageidaujamas medžiagas išjunkite variklį ir palaukite, kol pjovimo įtaisas sustos. Jei jūs ar pagalbininkas ketina pašalinti nupjautą medžiagą, palaukite, kol pjovimo įtaisas sustos.

Asmeninės apsauginės priemonės



PERSPĖJIMAS: Prieš naudodami gaminį, perskaitykite toliau esančius įspėjimus.

- Dirbdami gaminio visada naudokite tinkamas asmenines apsaugines priemones. Asmeninės apsauginės priemonės nepašalina sužeidimų pavojaus. Asmeninės apsauginės priemonės sumažina sužalojimų laipsnį nelaimės atveju.
- Dirbdami gaminio visada naudokite akių apsaugos priemones.
- Nenaudokite gaminio basomis kojomis arba atvira avalyne. Visada avėkite patvarius, neslystančius batus.
- Dėvėkite storas, ilgas kelnes.
- Jei būtina, naudokite patvirtintas apsaugines pirštines.

- Jei yra tikimybė, kad jums ant galvos gali nukristi sunkus objektas, naudokite šalmą.
- Dirbdami gaminio visada naudokite apsaugines ausines. Ilgalaikis triukšmas gali pakenkti klausai.
- Šalia visada turėkite pirmosios pagalbos rinkinį.

Gaminio apsauginės priemonės



PERSPĖJIMAS: Prieš naudodami gaminį, perskaitykite toliau esančius įspėjimus.

- Nesinaudokite gaminio, jei jo apsauginės priemonės yra netvarkingos.
- Reguliariai tikrinkite apsaugines priemones. Žr. *Gaminio apžvalga psl. 217*.
- Jei apsauginės priemonės yra pažeistos, pasitarkite su Husqvarna techninės priežiūros atstovu.

Akceleratoriaus gaiduko fiksatorius

Akceleratoriaus gaiduko fiksatorius užfiksuoja akceleratoriaus gaiduką.

(Pav. 20)

Nuspauskite akceleratoriaus gaiduko fiksatorių (A), kad atleisumėte akceleratoriaus gaiduką (B). Kai atleidžiate rankena, akceleratoriaus gaiduko fiksatorius ir akceleratoriaus gaidukas sugrįžta į savo pradinę padėtį.

1. Įsitinkite, kad atleidus akceleratoriaus gaiduko fiksatorių (A), akceleratoriaus gaidukas (B) užfiksuojamas tuščiosios eigos padėtyje.
2. Paspauskite akceleratoriaus gaiduko fiksatorių (A) ir patikrinkite, ar atleisus jis grįžta į savo pradinę padėtį.
3. Paspauskite akceleratoriaus gaiduką (B) ir patikrinkite, ar atleisus jis grįžta į savo pradinę padėtį.

Užveskite variklį ir iki galo nuspauskite akceleratoriaus gaiduką. Atleiskite akceleratoriaus gaiduką ir patikrinkite, ar pjovimo įtaisas sustoja. Jei pjovimo įtaisas sukasi, kai akceleratorius yra tuščiosios eigos padėtyje, patikrinkite karbiuratoriaus tuščiosios eigos reguliavimo varžtą.

Stabdymo jungiklis

Ijunkite variklį. Įsitinkite, kad variklis sustoja, kai perjungiate stabdymo jungiklį į išjungimo padėtį.

(Pav. 21)

Pjovimo įtaiso apsauga

Pjovimo įtaiso apsauga saugo, kad gaminio naudotojo kryptimi neiškriėtų palaidi objektai.

(Pav. 22)

Apžiūrėkite, ar pjovimo įtaiso apsauga nepažeista, ir esant reikalui ją pakeiskite. Naudokite tik patvirtintą pjovimo įtaiso apsaugą.

Duslintuvas

- Nenaudokite variklio su pažeistu duslintuvu. Pažeistas duslintuvas skleidžia daugiau triukšmo ir kelia didesnę gaisro pavojų. Visada šalia turėkite gesintuvą.
- Reguliariai apžiūrėkite, ar duslintuvas pritvirtintas prie gaminio.
- Kai variklis užvestas nelieskite variklio arba duslintuvo. Išjungę variklį kurį laiką nelieskite variklio arba duslintuvo. Įkaitę paviršiai gali sužaloti.
- Karštas duslintuvas gali sukelti gaisrą. Būkite atsargūs naudodami gaminį greta degių skysčių arba dujų.
- Nelieskite pažeisto duslintuvo dalių. Dalyse gali būti kancerogeninių medžiagų.

Fiksavimo veržlė

Fiksavimo veržlė naudojama kai kuriems pjovimo įtaisams užfiksuoti.

(Pav. 23)

Pritvirtinę fiksavimo veržlę, priveržkite ją priešinga pjovimo įtaiso veikimui kryptimi.

Laikymo diržų atleidimo funkcija



PERSPĖJIMAS: Nenaudokite laikymo diržų, jei atleidimo funkcija veikia netinkamai. Reguluodami gaminį patikrinkite, ar laikymo diržų atleidimo funkcija veikia tinkamai.

Laikymo diržų atleidimo funkcija yra gaminio priekyje. Laikymo diržai visada turi likti tinkamoje padėtyje. (Pav. 24)

Nelaimės atveju diržų atleidimo funkcija padeda saugiai atkabinti gaminį.

Pjovimo įtaisas



PERSPĖJIMAS: Prieš naudodami gaminį, perskaitykite toliau esančius įspėjimus.

- Reguliariai prižiūrėkite. Reguliariai perduokite pjovimo įtaisą patvirtintam techninės priežiūros centrui, kuriame jis bus apžiūretas ir sureguliuotas arba suremontuotas.
 - Pjovimo įtaiso našumas padidėja.
 - Pjovimo įtaiso tarnavimo trukmė padidėja.
 - Nelaimių pavojus sumažėja.
- Naudokite tik patvirtintą pjovimo įtaiso apsaugą. Jeigu reikia daugiau informacijos žr. *Priedai psl. 229*.
- Sugadinto pjovimo įtaiso nenaudokite.

Žolės pjovimo peiliai ir žolės pjovimo įtaisas

- Naudokite gaminį su patvirtintą žolės pjovimo peiliu. Žolės pjovimo peilį naudokite tik tinkamai pritvirtinę visas reikiamas dalis. Patikrinkite, ar visas atlikta

tinkamai ir kad naudojamose tinkamos dalys. Dėl netinkamai sumontuotų dalių peilis gali nuskrieti ir rimtai sužaloti naudotoją arba aplinkinius.

- Peilį imkite arba prižiūrėkite mūvėdami apsaugines pirštines.
- Naudodami gaminį su žolės pjovimo peiliu naudokite galvos apsaugą.
- Žolės pjovimo peilis ir žolės pjovimo įtaisas skirti stambesnei žolei pjauti.
- Sustabdžius variklį arba atleidus akceleratoriaus gaiduką žolės peilis sukasi toliau ir gali sužaloti. Prieš atlikdami priežiūrą, įsitinkinkite, kad žolė peilis visiškai sustojo.
- Prieš pradėdami dirbti su pjovimo įranga pirmiausia išjunkite variklį. Įsitinkinkite, kad pjovimo įtaisas visiškai sustojo. Nuo degimo žvakės nuimkite laidą.
- Naudokite tik patvirtintą pjovimo įtaisą arba tinkamai pagალąstą peilį.
- Peilio ašmenys turi būti gerai ir teisingai pagალasti. (Pav. 25)
- Sugadinto pjovimo įtaiso nenaudokite.
- Transportuodami arba palikdami saugoti gaminį, pritvirtinkite transportavimui skirtą apsauginį elementą prie žolės pjovimo peilio.

Peilio atrama

- Peilio atrama yra staigu gaminio judesys į šoną, priekį arba galą. Peilio atrama atsitinka, kai žolės peilis arba pjūklų diskas įsiremia į kliūtį, kurios negali nupjauti. Vietose, kuriose sunkiai matomas pjaunamas paviršius, peilio atramos rizika yra didesnė.
- Peilio atramos atveju kyla pavojus, kad gaminys arba jo naudotojas pasislinks į šalį. Pajudėjęs peilis gali kliudyti aplinkinius, todėl kyla sužeidimų pavojus.
- Jei peilis sulinksta, įskyta, nulūžta arba yra pažeidžiamas, peilį utilizuokite.
- Naudokite aštrius ašmenis. Peilio atramos pavojus padidėja, jei peilis neaštrus.

Degalų naudojimo sauga



PERSPĖJIMAS: Prieš naudodami gaminį, perskaitykite toliau esančius įspėjimus.

- Nemaišykite degalų patalpoje arba šalia šilumos šaltinio.
- Neužveskite gaminio, jei ant gaminio yra kuro arba variklio alyvos. Nuvalykite nepageidaujamą kurą / alyvą ir palaukite, kol gaminys išdžius. Nuvalykite nuo gaminio nepageidaujamą kurą.
- Apsipylę drabužius kuru nedelsiant persirenkite.
- Neapsipilkite kūno kuru, nes jis gali sužaloti. Apsipylę kūną kuru, jį nusiplaukite muilu ir vandeniui.
- Neužveskite variklio, jei apiejote gaminį arba kūną alyva arba kuru.

- Neužveskite gaminio, jei iš variklio sunkiasi skysčiai. Reguliariai tikrinkite, ar iš variklio nesisunkia skysčiai.
- Atsargiai elkitės su kuru. Kuras yra degus, o jo garai – sprogūs, todėl neatsargiai elgiantis galima susižaloti arba žūti.
- Neįkvėpkite kuro garų, nes jie gali sužaloti. Pasirūpinkite tinkamu vėdinimu.
- Nerūkykite greta kuro arba variklio.
- Nedėkite šiltų objektų greta kuro arba variklio.
- Nepilkite kuro, kai variklis užvestas.
- Prieš pildami kurą įsitikinkite, ar variklis ataušęs.
- Prieš pildami kurą lėtai atidarykite kuro bakelio dangtelį ir atsargiai išleiskite slėgį.
- Nepilkite į variklį kuro būdami patalpoje. Dėl oro stygiaus galima susižaloti arba žūti uždusęs arba apsinuodijęs anglies monoksidu.
- Kruopščiai priveržkite kuro bakelio dangtelį, nes antraip gali kilti gaisras.
- Prieš pradėdami darbą patraukite gaminį mažiausiai 3 m (10 pėdų) nuo vietos, kurioje pylėte kurą.
- Nepripilkite į kuro bakelį pernelyg daug kuro.
- Pasirūpinkite, kad perkeliant gaminį arba kuro bakelį iš jo neišsiliėtų kuras.
- Nestatykite gaminio arba kuro bakelio greta atviros liepsnos, kibirkščių arba degiklio. Įsitikinkite, kad laikymo patalpoje nėra atviros liepsnos.
- Kurą gabenkite ir laikykite tik patvirtintuose bakeliuose.

- Prieš palikdami gaminį saugoti ilgesniam laikui, ištuštinkite kuro bakelį. Kurą utilizuokite atsižvelgdami į vietinius įstatymus.
- Nuvalykite gaminį prieš palikdami jį saugoti ilgesniam laikui.
- Prieš palikdami gaminį saugoti ilgesnį laiką atjunkite uždegimo žvakės kabelį, kad variklis netikėtai neužsivestų.

Priežiūros saugos instrukcijos



PERSPĖJIMAS: Prieš atlikdami gaminio techninę priežiūrą, perskaitykite toliau esančius įspėjimus.

- Atlikite tik tokius priežiūros ir techninės priežiūros darbus, kurie pateikti šiame operatoriaus vadove. Visus kitus aptarnavimo ir remonto darbus leiskite atlikti profesionaliam aptarnavimo personalui.
- Reguliariai atlikite šiame vadove nurodytas saugos patikras, techninės priežiūros ir aptarnavimo procedūras. Reguliari priežiūra prailgina produkto tarnavimo laiką ir sumažina nelaimingų atsitikimų pavojų. Instrukcijų ieškokite *Priežiūros grafikas psl. 225*.
- Jei atlikus priežiūrą nėra patvirtinamos šiame operatoriaus vadove nurodytos saugos patikros, kreipkitės į techninio aptarnavimo atstovą. Garantuojame, kad jis suteiks profesionalią priežiūrą ir atliks gaminio techninės priežiūros darbus.

Surinkimas

Įvadas



PERSPĖJIMAS: Prieš surinkdami įrenginį perskaitykite ir supraskite saugos skyriaus informaciją.



PERSPĖJIMAS: Prieš surinkdami gaminį nuo uždegimo žvakės nuimkite dangtelį.

Valdymo rankenos surinkimas

1. Išsukite varžtą, esantį už akceleratoriaus rankenėlės. (Pav. 26)
2. Užmaukite akceleratoriaus rankenėlę ant dešinės valdymo rankenos dalies.
3. Sulygiuokite skylę rankenėlėje su skylę valdymo rankenoje.
4. Įstumkite varžtą į angas. Priveržkite varžtą.
5. Uždėkite valdymo rankeną tarp veleno rodyklių. Priveržkite varžtą. (Pav. 27)

Laikymo diržų sąvaržos montavimas

1. Uždėkite diržų sąvaržas ant veleno su į viršų nukreipta diržo sąvarža. Uždėkite diržo sąvaržą virš veleno rodyklių.
2. Įstatykite akceleratoriaus linelį į diržų sąvaržos griovelį apačioje.
3. Sulygiuokite diržų sąvaržos varžtų angas.
4. Įkiurymes įstatykite 2 varžtus.
5. Priveržkite varžtus.

Pjovimo įtaiso surinkimas

Pjovimo įtaiso apsaugos surinkimas

1. Uždėkite pjovimo įtaiso apsaugą (A) ant veleno. (Pav. 28)
2. Įstatykite laikiklį (B) į angą ant pjovimo įtaiso apsaugos.
3. Naudodami varžtą (C) prijunkite pro angą prie laikiklio ir pjovimo įtaiso apsaugos.

Žolės pjovimo peilio montavimas

1. Įsitikinkite, kad pjovimo įtaiso apsauga (A) prijungta prie gaminio. Žr. *Pjovimo įtaiso apsaugos surinkimas psl. 222.* (Pav. 29)
2. Į angą įkiškite fiksavimo kaištį (B), kad jis gerai pritvirtintų veleną.
3. Peilį (E), atraminį gaubtą (F) ir atraminę jungę (G) uždėkite ant galios atidavimo veleno (D).
4. Pasirūpinkite, kad pavaros diskas (C) būtų tinkamai įleistas į žolės pjovimo peilio viduryje esančią angą. (Pav. 30)
5. Ant galios atidavimo veleno uždėkite fiksavimo veržlę (H). Veržliarakčio rankeną laikykite arti pjovimo įtaiso apsaugos. Sukite veržliaraktį prieš laikrodžio rodyklę, kad priveržtumėte fiksavimo veržlę. Priveržkite fiksavimo veržlę 35–50 Nm / 26–36 pėd./svar.

6. Ištraukite fiksavimo kaištį.

Žoliapjovės galvutės montavimas

1. Įsitikinkite, kad pjovimo įtaiso apsauga (A) prijungta prie gaminio. Žr. *Pjovimo įtaiso apsaugos surinkimas psl. 222.* (Pav. 31)
2. Įsitikinkite, kad pavaros diskas (C) prijungtas prie galios atidavimo veleno (D).
3. Į angą įkiškite fiksavimo kaištį (B), kad jis gerai pritvirtintų veleną.
4. Ant galios atidavimo veleno uždėkite žoliapjovės galvutę (E).
5. Sukite žoliapjovės galvutę prieš laikrodžio rodyklę, kad priveržtumėte ją prie galios atidavimo veleno. (Pav. 32)
6. Ištraukite fiksavimo kaištį.

Naudojimas

Įvadas



PERSPĖJIMAS: Prieš naudodami gaminį perskaitykite ir supraskite saugos skyriaus informaciją.

Degalai

[renginys turi dvitaktį variklį.



PASTABA: Naudojant netinkamo tipo degalus gali būti sugadintas variklis. Naudokite benzino ir dvitaktčių variklių alyvos mišinį.

Iš anksto sumaišyti degalai

- Naudokite Husqvarna iš anksto sumaišytus geros kokybės alkilintus degalus, siekdami geriausių rezultatų ir prailginti variklio tarnavimo laiką. Šiuose degaluose palyginti su įprastiniais degalais yra mažiau kenksmingų chemikalų, todėl sumažėja kenksmingų išmetamųjų dujų kiekis. Likučių po degimo kiekis yra mažesnis, naudojant šiuos degalus, todėl variklio komponentai išlieka švaresni.

Degalų maišymas

Benzinas



PASTABA: Nenaudokite benzino, kurio oktaninis skaičius yra mažesnis nei 90 RON (87 AKI). Antraip galima sugadinti gaminį.



PASTABA: Nenaudokite benzino, kurio etanolio koncentracija didesnė kaip 10 % (E10). Antraip galima sugadinti gaminį.

- Visada naudokite šviežią bešvinį benziną, kurio minimalus oktaninis skaičius yra 90 RON (87 AKI), o etanolio koncentracija 10 % (E10).
- Jei gaminį dažnai naudojate esant nuolatinėms didelėms variklio apsuksoms, naudokite didesnio oktaninio skaičiaus benziną.

Alyva dvitaktčiams varikliams

- Siekdami geriausių rezultatų ir našumo, naudokite Husqvarna dvitaktčių variklių alyvą.
- Jei negalite gauti Husqvarna dvitaktčio variklio alyvos, naudokite geros kokybės dvitaktčių variklių alyvą, skirtą oru aušinamiems varikliams Norėdami išsirinkti tinkamą alyvą, kreipkitės į techninio aptarnavimo atstovą.



PASTABA: Niekada nenaudokite dvitaktės alyvos, skirtos vandeniui aušinamiems valčių varikliams, dar vadinamos valčių variklių alyva. Nenaudokite alyvos, skirtos keturtaktčiams varikliams.

Degalų ir dvitaktčių variklių alyvos maišymas

Benzinas, litrais	Dvitaktčio variklio alyva, litrais
	2 % (50:1)
5	0,10
10	0,20
15	0,30
20	0,40



PASTABA: Maišant nedidelius degalų kiekius, nedidelė paklaida gali stipriai pakeisti mišinio santykį. Kruopščiai pamatuokite alyvos kiekį, kad gautumėte tinkamą mišinį.

(Pav. 33)

1. Pripildykite puse kiekio degalų švarioje talpykloje degalams.
2. Supilkite visą alyvos kiekį.
3. Suplakite degalų mišinį.
4. Tada supilkite likusią benzino dalį į talpyklą.
5. Kruopščiai suplakite degalų mišinį.



PASTABA: Nesumaišykite degalų ilgiam nei 1 mėnesio laikotarpiui.

Kuro įpylimas

- Naudokite degalų bakelį su apsauga nuo perpilimo.
- Jei bakelyje yra kuro, pašalinkite nepageidaujamą kurą ir palaukite, kol bakelis išdžius.
- Įsitikinkite, kad plotas aplink kuro bakelio dangtelį yra švarus.
- Prieš pildami kuro mišinį į kuro bakelį papurtykite kuro bakelį.

Pradinis naudojimas

- Per pirmas 10 naudojimo valandų ilgą laiką nespauskite akceleratoriaus iki galo be apkrovos.

Užvedimas ir išjungimas

Patikrinimas prieš paleidimą

1. Įsitikinkite, kad nėra gaminio trūkstančių, pažeistų, atsilaisvinusių ar susidėvėjusių dalių.
2. Patikrinkite, ar varžlės ir varžtai yra priveržti
3. Įsitikinkite, kad nepažeisti ašmenys ar žoliapjovės galvutė.
4. Įsitikinkite, kad tinkamai priveržta fiksavimo varžlė. Žr. *Fiksavimo varžlės patikra psl. 227*.
5. Patikrinkite, ar neužsikisęs oro filtras.
6. Įsitikinkite, kad gaminio saugos įtaisai nepažeisti.
7. Įsitikinkite, kad nėra gaminio degalų nuotėkio.

Laikymo diržų reguliavimas



PERSPĖJIMAS: Įrenginys turi būti visada tinkamai prikabinamas prie laikymo diržo. Nenaudokite pažeisto diržo.

1. Užsidėkite antpetinį diržą
2. Prijunkite įrenginį prie diržo.
3. Sureguliuokite tinkamiausią darbinę diržo padėtį.

4. Sureguliuokite šoninius diržus taip, kad abu pečiai būtų vienodai apkrauti. (Pav. 34)
5. Sureguliuokite laikymo diržus taip, kad įtaisai būtų lygiagrečiai su žemės paviršiumi.
6. Leiskite įtaisui lengvai remtis į žemę. Sureguliuokite laikymo diržų sąvaržas, kad gaminys būtų tinkamai subalansuotas.

Pasižymėkite: Jei naudojate žolės pjovimo peilį, jis turi būti balansuojamas maždaug 10 cm / 4 col. virš žemės paviršiaus.

Šalto variklio užvedimas

1. 10 kartų paspauskite kuro siurbliuką. (Pav. 35)
2. Pakelkite oro sklendės rankenėlę aukštin. (Pav. 36)
3. Laikykite gaminio korpusą ant žemės kairiąją ranka. (Pav. 37) Gaminio nepriminkite koja. Lėtai traukite starterio virvę, kol pajusite pasipriešinimą. Tada patraukite starterio virvę visa jėga.

Pasižymėkite: Užvesdami variklį nespauskite akceleratoriaus gaiduką.

4. Traukite starterio virvės rankenėlę, kol variklis užsiveda arba bando užsivesti (daugiausia 3 kartus). Varikliui užsivedus arba bandant užsivesti, nespauskite oro sklendės rankenėlę žemyn. Traukite, kol variklis užsives. Užvedę variklį palaukite 60 sekundžių prieš nuspausdami akceleratoriaus gaiduką.



PASTABA: Netraukite starterio virvės iki pat galo. Nepaleiskite starterio virvės, kai ji visiškai ištraukta. Lėtai atleiskite starterio virvę. Nepaisydami šių nurodymų galite sugadinti variklį.

Šilto variklio užvedimas

1. 10 kartų paspauskite kuro siurbliuką.
2. Traukykite starterio virvę, kol variklis užsives.

Variklio užvedimas, kai kuras per daug karštas

Jei gaminys neužsiveda, gali būti, kad kuras yra per daug karštas.

Pasižymėkite: Esant karštam orui, visada naudokite naują kurą, kad darbus atliktumėte greičiau.

1. Padėkite gaminį vėsioje vietoje, atokiai nuo tiesioginių saulės spindulių.
2. Leiskite gaminiiui atvėsti bent 20 minučių.
3. 10–15 sekundžių spaudinėkite oro šalinimo pūselę.
4. Atlikite šalto variklio užvedimo procedūrą. Žr. *Šalto variklio užvedimas psl. 224*.

Išjungimas

- Norėdami išjungti variklį, nuspauskite stabdymo mygtuką. (Pav. 21)

Pasižymėkite: Stabdymo jungiklis automatiškai grįžta į pradinę padėtį.

Žoliapjovės naudojimas



PASTABA: Po kiekvieno panaudojimo sulėtinkite variklio apsakas iki tuščiosios eigos. Ilgalaikis variklio darbas didžiausiomis apsakomis be apkrovos gali sugadinti variklį.

Pasižymėkite: Vyniodami naują žoliapjovės lynelį nuvalykite žoliapjovės galvutės gaubtą, kad nesusidarytų vibracijos. Apžiūrėkite kitas žoliapjovės galvutės dalis ir esant reikalui jas nuvalykite.

Žolės trumpinimas

1. Kampu pasuktą žoliapjovės galvutę laikykite prie pat žemės. Nespauskite žoliapjovės linelio prie žolės. (Pav. 38)
2. Sutrumpinkite žoliapjovės linelį 10–12 cm / 4–4,75 col.
3. Sumažinkite variklio apsakas, kad sumažintumėte augalams keliamą pavojų.
4. Pjaudami žolę greta kitų objektų, naudokite 80 % variklio galios. (Pav. 39)

Žolės pjovimas

1. Pjaudami žolę stenkitės žoliapjovės linelį laikyti lygiai greičiai žemei. (Pav. 40)
2. Nespauskite žoliapjovės galvutės prie žemės. Antraip galima sugadinti gaminį
3. Pjaudami žolę judinkite įrenginį iš vienos pusės į kitą. Naudokite didžiausias apsakas. (Pav. 41)

Žolės pjovimas žolės pjovimo peiliu

1. Žolės pjovimo peilių ir žolės pjovimo įtaisų negalima naudoti pjaunant sumedėjusias šaknis.

2. Pjaunant visų rūšių aukštą ar stambią žolę naudojamas žolės pjovimo peilis.
3. Žolę pjaunama švysčiojant į šonus, kur sukimasis iš dešinės į kairę yra valymo judesys, o iš kairės į dešinę – grįžimo judesys. Dirbkite kaire peilio puse (tarp 8-os ir 12-os valandos).
4. Jei žolės valymo metu geležtė šiek tiek pakreipiama kairėn pusėn, žolė sugula į pradalgę ir tai palengvina, pvz., žolės sugrėbimą.
5. Stenkitės dirbti ritmingai. Stovėkite stabiliai, pėdas šiek tiek pasukę išorėn. Ženkite į priekį po grįžimo judesio ir vėl atsistokite stabiliai.
6. Leiskite atraminiam gaubtui lengvai braukti per žemės paviršių. Jis apsaugo peilį nuo žemės.
7. Jei visada dirbsite didžiausiomis apsakomis ir grįžtamuojų judesiu nekabinsite jau nupjautos medžiagos, aplink peilį apsisvys mažiau medžiagos.
8. Norėdami surinkti nupjautą žolę, sustabdykite variklį, atsekite diržą ir padėkite įrenginį ant žemės.

Žoliapjovės galvutė

- Standžiai ir lygiai apvyniokite žoliapjovės lynelį aplink būgną, kad sumažėtų vibracija.
- Naudokite tik patvirtintas žoliapjovių galvutes ir žoliapjovių lynelius. Žr. *Priedai psl. 229*.
- Naudokite tik tinkamo ilgio žoliapjovių lynelius. Ilgam žoliapjovės lyneliui reikia daugiau variklio galios nei trumpam žoliapjovės lyneliui.
- Patikrinkite, ar nepažeistas pjovimo įtaiso apsaugos peilis.
- Prieš tvirtindami žoliapjovės lynelį prie gaminio, žoliapjovės lynelį 2 dienas pamirkykite vandenyje. Tai padidina žoliapjovės lynelio tarnavimo trukmę.

Žoliapjovės lynelio keitimas

(Pav. 42)
(Pav. 43)
(Pav. 44)
(Pav. 45)
(Pav. 46)
(Pav. 47)
(Pav. 48)
(Pav. 49)

Priežiūra

Įvadas



PERSPĖJIMAS: Prieš atlikdami priežiūros darbus perskaitykite ir supraskite saugos skyriaus informaciją.

Visiems gaminio techninės priežiūros ir remonto darbams reikia specialių apmokymų. Garantuojame profesionalaus remonto ir techninės priežiūros darbų pasiekiamumą. Jei jūsų pardavėjas nėra techninės priežiūros atstovas, paprašykite jo informacijos apie artimiausią techninės priežiūros atstovą.

Priežiūros grafikas

Savaitinė techninė priežiūra

- Nuvalykite išorinius paviršius.
- Įsitinkinkite, kad varikliui veikiant tuščiaja eiga pjovimo įtaisas nesisuka. Žr. *Greičio tuščiaja eiga reguliavimas psl. 226*.
- Patikrinkite tepalo lygį kaminėje pavaroje. Žr. *Kaminės pavaros tepimas psl. 226*.
- Patikrinkite fiksavimo veržlę. Žr. *Fiksavimo veržlės patikra psl. 227*.

Mėnesinė techninė priežiūra

- Įsitikinkite, kad nepažeista starterio virvės rankena ir starterio virvė.

Kasmetinė techninė priežiūra

- Patikrinkite uždegimo žvakę. Žr. *Uždegimo žvakės tikrinimas psl. 226*.
- Nuvalykite išorinius karbiuratoriaus ir gretimuos paviršius.
- Išvalykite aušinimo sistemą.
- Patikrinkite kibirkščių sulaikymo tinklėlį. Žr. *Kibirkščių sulaikymo tinklelio priežiūra psl. 226*.
- Patikrinkite kuro filtrą.
- Įsitikinkite, kad nepažeista degalų žarnelė.
- Įsitikinkite, kad nepažeisti gaminio kabeliai ir jungtys.

Greičio tuščiaja eiga reguliavimas

- Prieš reguliuodami greitį tuščiaja eiga įsitikinkite, kad oro filtras švarus, o oro filtro dangtelis pritvirtintas.
 - Reguluokite greitį tuščiaja eiga greičio tuščiaja eiga reguliavimo varžtu T, kurį nurodo žymė „T“.
 - Greitis tuščiaja eiga yra tinkamas, kai variklis tolygiai veikia visose padėtyse. Greitis tuščiaja eiga turi būti mažesnis nei greitis, kuriam esant pradeda sukstis pjovimo įtaisas.
1. Laisvosios eigos varžtą sukite pagal laikrodžio rodyklę, kol pjovimo įtaisas pradės sukstis. (Pav. 50)
 2. Laisvosios eigos varžtą sukite prieš laikrodžio rodyklę, kol pjovimo įtaisas sustos.

Kibirkščių sulaikymo tinklelio priežiūra

Valykite kibirkščių sulaikymo tinklėlį vieliniu šepėčiu. (Pav. 51)

Aušinimo sistemos valymas

Nuvalykite aušinimo sistemos dalis šepėčiu. (Pav. 52)

Uždegimo žvakės tikrinimas



PASTABA: Naudokite rekomenduojamą uždegimo žvakę. Įsitikinkite, kad keičiama dalis yra tokia pat, kaip gamintojo naudojama dalis. Netinkama uždegimo žvakė gali sugadinti gaminį.

1. Patikrinkite uždegimo žvakę, kai:
 - a) sumažėja variklio galia.
 - b) variklį sunku užvesti.
 - c) variklis netinkamai veikia tuščiaja eiga.
2. Jei variklį sunku užvesti arba jis veikia nesklaidžiai, patikrinkite, ar ant uždegimo žvakės nėra pašalinių medžiagų. Norėdami sumažinti pašalinių medžiagų atsiradimą ant uždegimo žvakės elektrodų:

- a) įsitikinkite, kad tinkamai sureguliuotas greitis tuščiaja eiga.
 - b) įsitikinkite, kad naudojate tinkamą kuro mišinį.
 - c) patikrinkite, ar oro filtras yra švarus.
3. Jei uždegimo žvakė nešvari, nuvalykite ją. Patikrinkite, ar tarpas tarp elektrodų yra tinkamas. (Pav. 53)
 4. Esant reikalui pakeiskite uždegimo žvakę.

Oro filtro priežiūra

Kaip išvalyti oro filtrą

1. Nuimkite oro filtro dangtelį ir išimkite oro filtrą. (Pav. 54)
2. Išplaukite oro filtrą šiltame muiluotame vandenyje. Prieš sumontuodami oro filtrą, palaukite, kol jis išdžius.
3. Pakeiskite oro filtrą, jei jis toks purvinas, kad jo nebeįmanoma išplauti. Visada pakeiskite pažeistą oro filtrą.
4. Jei gaminyje naudojamas poroloninis oro filtras, naudokite oro filtrų alyvą. Oro filtrų alyvą naudokite tik porolono filteriui. Nenaudokite alyvos veltniam oro filteriui.

Oro filtrų alyvos naudojimas oro filteriui



PASTABA: Poroloniniams oro filterams visada naudokite specialią oro filtrų alyvą. Nenaudokite kitų rūšių alyvos.



PERSPĖJIMAS: Neapsiliekitė alyva kūno.

1. Nuimkite oro filtro dangtelį ir išimkite oro filtrą. (Pav. 55)
2. Įdėkite oro filtrą į plastikinį maišelį.
3. Įpilkite į maišelį oro filtrų alyvos. (Pav. 56)
4. Suspauskite plastikinį maišelį, kad alyva tolygiai pasiskirstytų po oro filtrą.
5. Suspauskite maišelyje esantį oro filtrą, kad išspautumėte nereikalingą oro filtrų alyvą. Išimkite oro filtrą iš maišelio.
6. Sumontuokite oro filtrą.

Kampinės pavaros tepimas

Būtinai patikrinkite, ar 3/4 kampinės pavaros yra pripildyta kampinių pavarų tepalu. (Pav. 57)

Fiksavimo veržlės patikra



PASTABA: Keiskite fiksavimo veržlę kas 10 naudojimū.

1. Sukite veržlę prieš laikrodžio rodyklę, kad priveržtumėte fiksavimo veržlę. Sukite veržlę laikrodžio rodyklės kryptimi, kad atlaisvintumėte fiksavimo veržlę. (Pav. 58)
2. Įsitinkite, kad negalite rankomis pasukti nailoninio fiksavimo veržlės žiedo. Nailoninis žiedas turi atlaikyti mažiausiai 1,5 Nm / 1,1 pėd. svar. pasipriešinimą.
3. Priveržkite fiksavimo veržlę 35–50 Nm / 26–36 pėd. svar. jėga, jei pasipriešinimas yra per mažas.



PASTABA: Per daug priveržus fiksavimo veržlę galima pažeisti sriegį.

Žolės pjovimo peilių ir geležčių eilių galandimas



PERSPĖJIMAS: Išjunkite variklį. Mūvėkite apsaugines pirštines.

- Kad tinkamai pagalstumėte žolės pjovimo peilį arba geležtę ir nustatytumėte reikiamą prapjovą, žr. su pjovimo įtaisų pateiktą instrukciją.
- Kad pjovimo įtaisas būtų subalansuotas, vienodai pagalaskite visus briaunas.
- Naudokite plokščiąją dildę su vienkrypčiais grioveliais. (Pav. 59)



PERSPĖJIMAS: Sugadintą pjūklo diską išmeskite. Nemėginkite ištiesinti ir vėl naudoti sulenкто arba išskraipiusio pjūklo disko.

Gedimai ir jų šalinimas

Nepavyksta užvesti variklio

Tikrinkite toliau išvardytus dalykus	Galima priežastis	Veiksmai
Stabdymo jungiklis.	Stabdymo jungiklis perjungtas į stabdymo padėtį.	Stabdymo jungiklį nustatykite į paleidimo padėtį.
Starterio strektės.	Starterio strektės negali laisvai judėti.	Nuimkite starterio dangtelį ir išvalykite plotą aplink starterio strektes. Kreipkitės pagalbos į įgaliotą techninės priežiūros atstovą.
Degalų bakelis.	Netinkama degalų rūšis.	Ištuštinkite degalų bakelį ir pripilkite tinkamų degalų.
Uždegimo žvakė.	Uždegimo žvakė nešvari arba drėgna.	Pasirūpinkite, kad degimo žvakė būtų sausa ir švari.
	Netinkamas tarpas tarp uždegimo žvakės elektrodų.	Išvalykite žvakę. Patikrinkite, ar tarpas tarp elektrodų yra tinkamas. Pasirūpinkite, kad degimo žvakėje būtų slopintuvas. Informacijos apie tinkamą tarpą tarp elektrodų rasite techniniuose duomenyse.
	Atsileidusi uždegimo žvakė.	Priveržkite uždegimo žvakę.

Variklis užsiveda, tačiau vėl užgęsta.

Tikrinkite toliau išvardytus dalykus	Galima priežastis	Veiksmai
Degalų bakelis	Netinkama degalų rūšis.	Ištuštinkite degalų bakelį ir pripilkite tinkamų degalų.
Oro filtras	Užsikimšęs oro filtras.	Išvalykite oro filtrą.

Transportavimas, saugojimas ir utilizavimas

Gabenimas ir laikymas

- Prieš gabendami arba padėdami laikyti palaukite, kol įrenginys atauš.
- Prieš padėdami gaminį laikyti ilgesniam laikui, nuimkite uždegimo žvakės antgalį.
- Gabendami pritvirtinkite įrenginį. Pasirūpinkite, kad jis negalėtų pajudėti.
- Pasirūpinkite, kad gabenant ir laikant nebūtų pavojaus išsilieti degalams, susidaryti degalų dūmams, nebūtų kibirkščių ir liepsnos šaltinių.
- Gabendami arba laikydami uždėkite gabenimo apsaugą.
- Prieš padėdami laikyti ilgesniam laikui, įrenginį išvalykite ir atlikite techninę priežiūrą

Techniniai duomenys

Techniniai duomenys

	325R A05328CBHV
Variklis	
Cilindro darbinis tūris, cm ³	27,6
Greitis tuščiaja eiga, aps./min	2800–3200
Rekomenduojamos maks. apskukos be apkrovos, r/min	8000
Galia / didžiausioji variklio galia pagal ISO 8893, kW / AG / aps./min.	0,9/1,2, esant 8000
Duslintuvas su katalizatoriumi	Taip
Galios atidavimo veleno greitis, aps./min	7200
Uždegimo sistema	
Uždegimo žvakė	Husqvarna HQT-4
Tarpas tarp elektrodų, mm	0,5
Degalų sistema	
Degalų bakelio talpa, l/cm ³	0,343 /343
Gaminio matmenys	
Svoris, kg	5,5

	325R A05328CBHV
Skleidžiamas triukšmas⁴³	
Garso galingumo lygis, matuojamas su žolės pjovimo peiliu, dB (A)	108
Garso galingumo lygis, matuojamas su žoliapjovės galvute, dB (A)	110
Garso galingumo lygis, užtikrintas (L_{WA}), su žolės pjovimo peiliu, dB (A)	112
Garso galingumo lygis, užtikrintas (L_{WA}), su žoliapjovės galvute, dB (A)	114
Garso lygiai⁴⁴	
Garso slėgio lygis naudotojo ausyje dirbant su žolės pjovimo peiliu, dB(A)	96
Garso slėgio lygis naudotojo ausyje dirbant su žoliapjovės galvute, dB(A)	95
Vibracijos lygis⁴⁵	
Ekvivalentiškas vibracijos lygis (ahv, eq) dirbant su žolės pjovimo peiliu kairiojoje rankenoje, m/s^2	5,1
Ekvivalentiškas vibracijos lygis (ahv, eq) dirbant su žolės pjovimo peiliu dešiniojoje rankenoje, m/s^2	5,7
Ekvivalentiškas vibracijos lygis (ahv, eq) dirbant su žoliapjovės galvute kairiojoje rankenoje, m/s^2	4,1
Ekvivalentiškas vibracijos lygis (ahv, eq) dirbant su žoliapjovės galvute dešiniojoje rankenoje, m/s^2	4,9

Priedai

Priedai

Patvirtinti priedai	Tipas	Pjovimo įtaiso apsauga
Sriegiuotas velenas	M10L	
Žoliapjovės galvutė	T35, 2,4 mm	588 11 79-01
Žolės pjovimo peilis	Grass 255-4, Ø 250	588 11 79-01

⁴³ Triukšmas, skleidžiamas į aplinką, išmatuotas kaip garso galia (L_{WA}) pagal EB direktyvą 2000/14/ EB. Pateiktas įrenginio garso stiprumo lygis buvo išmatuotas naudojant didžiausią garsą sukeltantį originalų pjovimo įtaisą. Skirtumas tarp garantuojamojo ir matuojamojo garso stiprumo yra tas, kad pagal Direktyvą 2000/14/EB garantuojamasis garso stiprumas apima ir matavimo rezultatų sklaidą bei nukrypimus tarp skirtingų to pačio modelio įrenginių.

⁴⁴ Pateiktuose duomenyse apie ekvivalentinį gaminio garso slėgio lygį yra 1 dB (A) tipiška statistinė sklaida (standartinis nuokrypis).

⁴⁵ Pateiktuose atitinkamo vibracijos lygio duomenyse yra 1 m/s^2 tipiška statistinė sklaida (standartinis nuokrypis).

EB atitikties deklaracija

EB atitikties deklaracijos turinys

Mes, „Husqvarna AB“, SE 561 82 Huskvarna, ŠVEDIJA, savo atsakomybe pareiškiame, kad pateiktas gaminys:

Aprašas	Benzininė žoliapjovė / krūmapjovė
Prekės ženklas	„Husqvarna“
Platforma / tipas / modelis	Platforma A05328CBHV, atitinkanti modelį 325R.
Partija	Serijos numerių data nuo 2018.

visiškai atitinka šias ES direktyvas ir reikalavimus:

Direktyva / reikalavimas	Aprašas
2006/42/EB	„dėl mašinų“
2014/30/ES	„dėl elektromagnetinio suderinamumo“
2000/14/EB	„dėl triukšmo lauke“
2011/65/ES	dėl tam tikrų pavojingų medžiagų naudojimo

Taikomi darnieji standartai ir (arba) techninės specifikacijos: EN ISO 12100, EN ISO 11806-1, CISPR 12, ISO 14982, EN 50581:2012 .

Pagal 2000/14/EB direktyvos V priedą nustatytosios garso vertės pateikiamos šios instrukcijos techninių duomenų skyriuje iri pasirašytoje EB atitikties deklaracijoje.

Bendrovė „TÜV Rheinland N.A.“ atliko neatlygintą tyrimą bendrovės „Husqvarna AB“ vardu ir pateikia EB komisijos 2006/42/EB direktyvos dėl mašinų atitikties sertifikatą.

Šis sertifikatas, kaip nurodyta pasirašytoje EB atitikties deklaracijoje, galioja visoms gamybos vietoms ir kilmės šalims, nurodytoms gaminio etiketėje.

Tiekiami benzininė žoliapjovė / krūmapjovė atitinka tyrime naudotą pavyzdį.

Saturs

Ievads.....	231	Problēmu novēršana.....	241
Drošība.....	232	Pārvadāšana, glabāšana un utilizēšana.....	242
Montāža.....	236	Tehniskie dati.....	242
Darbība.....	237	Piederumi.....	244
Tehniskā apkope.....	240	EK atbilstības deklarācija.....	245

Ievads

Lietotāja rokasgrāmata

Šīs lietotāja rokasgrāmatas sākotnējā valoda ir angļu. Lietotāja rokasgrāmatas citās valodās ir tulkojumi no angļu valodas.

Paredzētā lietošana

Izmantojiet izstrādājumu kopā ar zāles asmeni vai trimera galvu, lai grieztu dažāda veida augus.

Izstrādājuma pārskats

(Att. 1)

1. Trimera galva
2. Smērvielas uzpildes vietas vāciņš
3. Koniskais zobrats
4. Griešanas ierīces aizsargs
5. Vārpsta
6. Apturēšanas slēdzis
7. Droseles mēlīte
8. Droseles mēlītes bloķētājs
9. Roktura stienis
10. Uzkabes skava
11. Startera korpus
12. Aizdedzes sveces uzgalis, aizdedzes svece
13. Startera auklas rokturis
14. Degvielas tvertne
15. Gaisa filtra vāks
16. Gaisa izspiešanas pūslītis
17. Droseļvārsta vadība
18. Roktura regulēšana
19. Droseles trose
20. Ātras tukšgaitas poga
21. Stiprinājums (drošības josta)
22. Kombinētā uzgriežņu atslēga
23. Lietošanas rokasgrāmata
24. Transportēšanas aizsargs
25. Asmeņiem
26. Atbalsta plātne
27. Fiksācijas paplāksnis
28. Pretuzgrieznis

Piezīme: Šī ķēdes zāga lietošanu var ierobežot valsts normatīvie akti.

29. Piedziņas disks
30. Fiksācijas tapa
31. Sešstūra atslēga

Simboli uz izstrādājuma

- (Att. 2) **BRĪDINĀJUMS!** Šis izstrādājums ir bīstams. Tas var izraisīt traumas vai nāvi operatoram vai blakus stāvošām personām, ja izstrādājums netiek lietots uzmanīgi un pareizi. Lai novērstu traumas operatoram vai blakus stāvošām personām, izlasiet un ievērojiet visas drošības instrukcijas lietošanas rokasgrāmatā.
- (Att. 3) Lūdzu, rūpīgi izlasiet šo lietošanas rokasgrāmatu un pirms izstrādājuma lietošanas pārliedzieties, vai izprotat instrukcijas.
- (Att. 4) Izmantojiet aizsargķiveri vietās, kur jums var uzkrīst priekšmeti. Izmantojiet apstiprinātus dzirdes aizsarglīdzekļus. Izmantojiet apstiprinātus acu aizsarglīdzekļus.
- (Att. 5) Izmantojiet apstiprinātus aizsargcimdus.
- (Att. 6) Velciet darba apavus ar neslīdošām zolēm.
- (Att. 7) Bultiņas norāda roktura atrašanās vietas ierobežojumus.
- (Att. 8) Izstrādājums var izsviest objektus, kas var radīt traumas.
- (Att. 9) Dzenamās vārpstas maksimālais ātrums.

- (Att. 10) Izstrādājuma lietošanas laikā ievērojiet minimālo attālumu — 15 m/50 pēdas — no cilvēkiem un dzīvniekiem.
- (Att. 11) Pastāv asmens atsienas risks, ja griešanas aprīkojums saskaras ar objektu, kuru tas nevar uzreiz pārgriezt. Izstrādājums var nogriezt ķermeņa daļas. Izstrādājuma lietošanas laikā ievērojiet minimālo attālumu — 15 m/50 pēdas — no cilvēkiem un dzīvniekiem.
- (Att. 12) Gaisa izspiešanas pūslītis.
- (Att. 13) Gaisa vārsts.
- (Att. 14) Raugiet, lai ķermeņa daļas neatrastos karstu virsmu tuvumā.
- (Att. 15) Trokšņa emisijas līmenis vidē attiecas uz Eiropas Kopienas direktīvu. Izstrādājuma emisiju līmenis ir norādīts sadaļā Tehniskie dati un uz uzlīmes.
- (Att. 16) Šis izstrādājums atbilst piemērojamo EK direktīvu prasībām.
- (Att. 17) Šis produkts atbilst piemērojamo EAC direktīvu prasībām.

Datu plāksnītē ir norādīts sērijas numurs. **yyyy** ir ražošanas gads, **ww** ir ražošanas nedēļa, un **xxxxx** ir kārtas numurs.

yyyywwxxxxx

Piezīme: Pārējie uz izstrādājuma norādītie simboli/uzlīmes attiecas uz citu tirdzniecības nozaru prasībām.

Atbildība par izstrādājuma kvalitāti

Saskaņā ar likumiem par izstrādājuma kvalitāti mēs neuzņemamies atbildību par bojājumiem, ko radījis mūsu izstrādājums, ja:

- ir veikts nepareizs izstrādājuma remonts;
- izstrādājuma remonts ir veikts, izmantojot detaļas, ko nav nodrošinājis vai apstiprinājis ražotājs;
- izstrādājumam tiek pievienots piederums, ko nav nodrošinājis vai apstiprinājis ražotājs;
- izstrādājuma remonts nav veikts pilnvarotā apkopes centrā vai pie pilnvarota speciālista.

ES V



BRĪDINĀJUMS: Motora atvēršana anulē šī ķēdes zāga ES tipa apstiprinājumu.

Drošība

Drošības definīcijas

Brīdinājumi, norādes "Uzmanību!" un piezīmes tiek izmantotas, lai izceltu īpaši svarīgas lietotāja rokasgrāmatas daļas.



BRĪDINĀJUMS: Tiek izmantota tad, ja rokasgrāmatā sniegto instrukciju neievērošanas dēļ operatoram vai blakus esošajām personām draud traumu vai nāves risks.



IEVĒROJIET: Tiek izmantota tad, ja rokasgrāmatā sniegto instrukciju neievērošanas dēļ rodas izstrādājuma, citu materiālu vai blakus esošās teritorijas bojājuma risks.

Piezīme: Tiek izmantota, lai sniegtu plašāku informāciju, kas nepieciešama attiecīgajā situācijā.

Drošība saistībā ar vibrācijām

Šis izstrādājums ir paredzēts tikai neregulārai ekspluatācijai. Izstrādājuma ilgstoša vai regulāra lietošana vibrāciju dēļ var izraisīt "balto pirkstu" sindromu vai līdzīgas medicīniskas problēmas. Ja lietojat šo izstrādājumu ilgstoši un regulāri, pārbaudiet roku un pirkstu stāvokli. Ja rokas vai pirksti kļūst bāli, sāp, tirpst vai kļūst nejutīgi, pārtrauciet darbu un nekavējoties sazinieties ar ārstu.

Vispārīgi norādījumi par drošību



BRĪDINĀJUMS: Pirms sākat lietot izstrādājumu, izlasiet tālāk izklāstītās brīdinājuma instrukcijas.

- Lietojiet izstrādājumu pareizi. Nepareiza lietošana var radīt smagas vai nāvējošas traumas. Izmantojiet izstrādājumu tikai šajā rokasgrāmatā aprakstītajiem darbiem. Nelietojiet izstrādājumu citiem uzdevumiem.
- Ievērojiet šīs rokasgrāmatas norādījumus. Ievērojiet drošības simbolus un drošības instrukcijas. Ja operators neievēro norādījumus un simbolus, var tikt radīti aprikojuma bojājumi, smagas vai nāvējošas traumas.
- Neizmetiet šo rokasgrāmatu. Izmantojiet norādījumus, lai saliktu, lietotu un uzturētu šo izstrādājumu labā stāvoklī. Izmantojiet norādījumus pareizai palīgieiču un piederumu uzstādīšanai. Izmantojiet tikai apstiprinātās palīgieiņas un piederumus.
- Nelietojiet bojātu izstrādājumu. Ievērojiet apkopes grafiku. Veiciet tikai tos apkopes darbus, kas aprakstīti šajā rokasgrāmatā. Pārējos apkopes darbus uzticiet pilnvarotam apkopes centram.
- Šī rokasgrāmata nevar ietvert visas situācijas, kas var rasties, izmantojot šo izstrādājumu. Esiet uzmanīgs un saprātīgs. Nelietojiet pūtēju un neveiciet tā apkopi, ja neesat drošs par radušos situāciju. Sazinieties ar izstrādājuma speciālistu, izplatītāju, apkopes pārstāvi vai pilnvarotu apkopes centru, lai saņemtu papildinformāciju.
- Pirms izstrādājuma montāžas, novietošanas uzglabāšanā vai apkopes veikšanas atvienojiet aizdedzes sveces kabeli.
- Neizmantojiet izstrādājumu, ja tā sākotnējā specifikācija ir mainīta. Nemainiet izstrādājuma detaļas bez ražotāja apstiprinājuma. Lietojiet tikai ražotāja apstiprinātās rezerves daļas. Veicot nepareizu apkopi, var tikt radītas smagas vai nāvējošas traumas.
- Neieelpojiet dzinēja radītos izgarojumus. Ilgstoša dzinēja izplūdes gāzu ieelpošana var apdraudēt veselību.
- Nelietojiet izstrādājumu telpās vai ugunsnedrošu materiālu tuvumā. Izplūdes gāzes ir karstas un var saturēt dzirkstelī, kas var izraisīt aizdegšanos. Nepietiekama gaisa plūsma var izraisīt savainojumus vai nāvi, nosmokot vai saindējoties ar oglekļa monoksīdu (tvana gāzi).
- Produkta lietošanas laikā tā dzinējs rada elektromagnētisko lauku. Elektromagnētiskais lauks var radīt medicīnisko implantātu bojājumus. Pirms izmantot izstrādājumu, sazinieties ar ārstu vai medicīniskā implantāta ražotāju.
- Neļaujiet bērniem lietot šo izstrādājumu. Neļaujiet izstrādājumu lietot personai, kas nav iepazinusies ar lietošanas norādījumiem.

- Ja izstrādājumu izmanto persona ar samazinātām fiziskajām vai garīgajām spējām, vienmēr uzraugiet šo personu. Tuvumā vienmēr jābūt pieaugušajam.
- Ieslēdziet izstrādājumu vietā, kurai nevar piekļūt bērni un nepiederošas personas.
- Izstrādājums var izviesēt objektus un radīt traumas. Ievērojiet drošības instrukcijas, lai samazinātu smagu vai nāvējošu traumu gūšanas risku.
- Neatstājiet izstrādājumu, kad darbojas tā dzinējs.
- Izstrādājuma lietotājs ir atbildīgs par radušos negadījumu.
- Pirms izstrādājuma lietošanas pārliecinieties, vai tā detaļas nav bojātas.
- Pirms pūtēja lietošanas pārliecinieties, vai atrodaties vismaz 15 m (50 pēdu) attālumā no citām personām vai dzīvniekiem. Noskaidrojiet, vai apkārtējie zina, ka lietošit pūtēju.
- Ievērojiet valsts vai vietējos likumus. Tie var neļaut vai ierobežot izstrādājuma lietošanu noteiktos apstākļos.
- Neizmantojiet šo izstrādājumu, ja esat noguris vai lietojis alkoholu, narkotikas vai medikamentus. Šīs vielas var ietekmēt jūsu redzi, mobrību, koordināciju vai spriestspēju.

Norādījumi par drošu uzstādīšanu



BRĪDINĀJUMS: Pirms sākat lietot izstrādājumu, izlasiet tālāk izklāstītās brīdinājuma instrukcijas.

- Pirms izstrādājuma montāžas noņemiet aizdedzes sveces uzgali no aizdedzes sveces.
- Izmantojiet apstiprinātus aizsargcimdus.
- Pirms iedarbināt dzinēju, pārliecinieties, vai pārsegu un vārpstu esat piemontējis pareizi.
- Dzenošajam diskam un balsta atlokam ir jābūt pareizi pievienotam griešanas ierīces centrālajā atverē. Nepareizi pievienota griešanas ierīce var izraisīt operatora vai citu personu nopietnas vai nāvējošas traumas.
- Lai izstrādājumu darbinātu droši un novērstu traumas operatoram vai citām personām, izstrādājums vienmēr ir pareizi jāpiestiprina uz kabeli.

Darba drošības instrukcijas



BRĪDINĀJUMS: Pirms sākat lietot izstrādājumu, izlasiet tālāk izklāstītās brīdinājuma instrukcijas.

- Pirms izstrādājuma lietošanas pārliecinieties, vai tas ir pilnībā samontēts.
- Pirms darba sākšanas pārvietojiet izstrādājumu 3 m/10 pēdu attālumā no vietas, kur veicāt degvielas tvertnes uzpildi. Novietojiet izstrādājumu uz līdzenas virsmas. Pārliecinieties, vai griešanas ierīce nepieskaras zemei vai citiem priekšmetiem.

- Izstrādājums var izsviest objektus, kas var radīt acu traumas. Lietojot izstrādājumu, vienmēr izmantojiet atbilstošus acu aizsarglīdzekļus.
- Esiet uzmanīgs, jo darba laikā, jums nezinot, izstrādājuma tuvumā var nokļūt bērni.
- Nelietojiet izstrādājumu, ja darba zonā atrodas citas personas. Pārtrauciet lietot izstrādājumu, ja darba zonā ienāk cita persona.
- Nezaudējiet vadību pār izstrādājumu.
- Neizmantojiet izstrādājumu, ja jums nebūs, kas sniedz palīdzību, kad rodas negadījums. Pirms izstrādājuma lietošanas vienmēr pārliecinieties, vai citi zina, ka jūs to lietosit.
- Negriezieties, turot izstrādājumu, pirms tam nepārliecinoties, ka citas personas vai dzīvnieki atrodas drošā attālumā.
- Pirms darba sākšanas novāciet visus nevēlamos materiālus no darba zonas. Ja griešanas ierīce atsis pret objektu, tas var tikt izsviests, radot traumas vai bojājumus. Nevēlami materiāli var apptīties ap griešanas ierīci un radīt bojājumus.
- Neizmantojiet izstrādājumu sliktos laika apstākļos (migla, lietus, stiprs vējš, negaisa iespējamība vai līdzīgos laika apstākļos). Sliktos laika apstākļos var rasties bīstami darba apstākļi (piemēram, slidenas virsmas).
- Pārliecinieties, vai varat brīvi kustēties un strādāt stabilā stāvoklī.

(Att. 18)

- Gādājiet, lai jūs nepakristu, lietojot izstrādājumu. Nepieliecieties izstrādājuma lietošanas laikā.
- Vienmēr turiet izstrādājumu ar abām rokām. Turiet izstrādājumu ķermeņa labajā pusē.

(Att. 19)

- Lietojiet izstrādājumu, tā griešanas ierīcei atrodoties zemāk par jūsu jostasvietu.
- Ja dzinēja iedarbināšanas laikā gaisa vārsta vadība atrodas gaisa vārsta pozīcijā, griešanas ierīce sāks griezties.
- Pēc dzinēja apturēšanas nepieskarieties koniskajam zobratam. Pēc dzinēja apturēšanas koniskais zobrats ir karsts. Karsti objekti var radīt apdegumus.
- Pirms izstrādājuma pārvietošanas izslēdziet dzinēju.
- Nenolieciet izstrādājumu zemē, kad tā dzinējs darbojas.
- Pirms nevēlamu materiālu noņemšanas no izstrādājuma apturiet dzinēju un uzgaidiet, līdz griešanas ierīce apstājas. Ļaujiet griešanas ierīcei apstāties, pirms jūs vai cita persona noņemat nogrieztu materiālu.

Individuālie aizsarglīdzekļi



BRĪDINĀJUMS: Pirms sākat lietot izstrādājumu, izlasiet tālāk izklāstītās brīdinājuma instrukcijas.

- Lietojot izstrādājumu, vienmēr izmantojiet atbilstošu individuālu drošības aprīkojumu. Individuālais

drošības aprīkojums neizslēdz traumu risku. Individuālais drošības aprīkojums samazina negadījuma rezultātā radušos traumu smagumu.

- Strādājot ar ierīci, vienmēr izmantojiet atbilstošus acu aizsarglīdzekļus.
- Nelietojiet ierīci, ja kājas ir basas vai ieautas valējos apavos. Vienmēr lietojiet darba apavus ar neslidošām zolēm.
- Uzvelciet izturīgas garās bikses.
- Ja nepieciešams, izmantojiet atbilstošus aizsargcimdus.
- Ja pastāv iespēja, ka uz galvas var krist objekti, izmantojiet ķiveri.
- Lietojot izstrādājumu, vienmēr izmantojiet atbilstošus ausu aizsarglīdzekļus. Ilgstošs troksnis var izraisīt dzirdes zudumu.
- Pārliecinieties, vai tuvumā atrodas pirmās palīdzības sniegšanas komplekts.

Izstrādājuma drošības ierīces



BRĪDINĀJUMS: Pirms sākat lietot izstrādājumu, izlasiet tālāk izklāstītās brīdinājuma instrukcijas.

- Nelietojiet izstrādājumu ar bojātām drošības ierīcēm.
- Regulāri pārbaudiet drošības ierīces. Sk. *Izstrādājuma pārskats lpp. 231.*
- Ja drošības ierīces ir bojātas, sazinieties ar vietējo Husqvarna apkopes sniedzēju.

Droseles mēlītes bloķētājs

Droseles mēlītes bloķētājs fiksē droseles mēlīti. (Att. 20)

Nospiediet droseles mēlītes bloķētāju (A), lai atbrīvotu droseles mēlīti. Atlaižot rokturi, droseles mēlītes bloķētājs un droseles mēlīte atgriezīsies sākotnējā stāvoklī.

1. Pārliecinieties, vai tukšgaitas laikā droseles mēlīte (B), atlaižot droseles mēlītes bloķētāju (A), tiek bloķēta.
2. Nospiediet droseles mēlītes bloķētāju (A) un pārbaudiet, vai pēc atlaišanas tas atgriežas sākotnējā stāvoklī.
3. Nospiediet droseles mēlīti (B) un pārbaudiet, vai pēc atlaišanas tā atgriežas sākotnējā stāvoklī.

Iedarbiniet dzinēju un atveriet droseli līdz galam. Atlaižiet droseles mēlīti un pārbaudiet, vai griešanas ierīce apstājas. Ja, droselei esot tukšgaitas stāvoklī, griešanas ierīce griežas, pārbaudiet karburatora tukšgaitas regulēšanas skrūvi.

Apturēšanas slēdzis

Iedarbiniet dzinēju. Pārliecinieties, vai pārslēdzot apturēšanas slēdzi apturēšanas stāvoklī, dzinējs apstājas.

(Att. 21)

Griešanas ierīces aizsargs

Griešanas ierīces aizsargs neļauj vaļīgus objektus izsviest operatora virzienā.
(Att. 22)

Pārbaudiet, vai nav radušies griešanas ierīces aizsarga bojājumi, un nomainiet to, ja tas ir bojāts. Griešanas ierīcei izmantojiet tikai apstiprinātu aizsargu.

Slāpētājs

- Neizmantojiet motoru, kura slāpētājs ir bojāts. Bojāts slāpētājs palielina trokšņa līmeni un aizdegšanās risku. Turiet tuvumā ugunsdzēsamo aparātu.
- Regulāri pārbaudiet produktam pievienoto slāpētāju.
- Nepieskarieties motoram vai slāpētājam, kad motors darbojas. Nepieskarieties motoram vai slāpētājam vēl brīdi pēc motora izslēgšanas. Karstas virsmas var izraisīt savainojumus.
- Karsts slāpētājs var izraisīt aizdegšanos. Esiet uzmanīgs, ja izmantojat produktu uzliesmojošu šķidrums vai tvaiku tuvumā.
- Nepieskarieties slāpētāja detaļām, ja slāpētājs ir bojāts. Detaļas var saturēt kancerogēnas ķīmikālijas.

Pretuzgriezni

Pretuzgriezni izmanto, lai fiksētu dažu veidu griešanas ierīces.

(Att. 23)

Uzliekot pretuzgriezni, pievelciet to pretējā virzienā griešanas ierīces darbības virzienam.

Uzkabes atlaišanas funkcija



BRĪDINĀJUMS: Nelietojiet uzkabi, ja atlaišanas funkcija nedarbojas, kā paredzēts. Regulējot trimeri, pārliecinieties, vai uzkabes atlaišanas funkcija darbojas pareizi.

Uzkabes atlaišana tiek veikta izstrādājuma priekšdaļā. Uzkabes siksnām vienmēr jābūt pareizā vietā.

(Att. 24)

Ārkārtas gadījumā uzkabes atlaišanas funkcija palīdzēs droši atbrīvoties no izstrādājuma.

Griešanas ierīce



BRĪDINĀJUMS: Pirms sākat lietot izstrādājumu, izlasiet tālāk izklāstītās brīdinājuma instrukcijas.

- Regulāri veiciet apkopi. Ļaujiet pilnvarotam apkopes centram regulāri pārbaudīt griešanas ierīci, lai veiktu regulēšanu vai remontu.
 - Tiks uzlabota griešanas ierīces darbība.
 - Tiks pagarināts griešanas ierīces darbūms.
 - Tiks samazināts negadījumu risks.

- Izmantojiet tikai apstiprinātu griešanas ierīces aizsargu. Papildinformāciju sk. *Piederumi lpp. 244*.
- Neizmantojiet bojātu griešanas ierīci.

Zāles asmeņi un zāles griezēji

- Izmantojiet izstrādājumu ar apstiprinātu zāles asmeni. Nelietojiet zāles asmeni, ja nav pareizi uzstādītas visas nepieciešamās detaļas. Pārļiecinieties, vai uzstādīšana ir veikta pareizi un tikušas izmantotas atbilstošas detaļas. Nepiemērota uzstādīšana var izraisīt asmens atdalīšanos un radīt smagu traumu lietotājam vai citiem tuvumā esošiem cilvēkiem.
- Rīkojieties ar asmeni un to apkopjot, uzvelciet aizsargcimdus.
- Izmantojiet galvas aizsarglīdzekļus, lietojot izstrādājumu ar zāles asmeni.
- Zāles asmeņi un zāles griezēji ir paredzēti rupjas zāles griešanai.
- Zāles asmens var radīt traumu, tam turpinot griezties pēc dzinēja apturēšanas vai droseles mēlītes atļaišanas. Pirms veikt apkopi, pārbaudiet, vai zāles asmens ir pilnībā apstājies.
- Apturiet dzinēju, pirms sākat rīkoties ar griešanas ierīci. Pārļiecinieties, vai griešanas ierīce ir pilnībā apstājusies. Atvienojiet vadu no aizdedzes sveces.
- Izmantojiet tikai apstiprinātu griešanas ierīci vai pareizi uzasinātu asmeni.
- Asmens zobiem ir jābūt pareizi uzasinātiem!
(Att. 25)
- Neizmantojiet bojātu griešanas ierīci.
- Transportējot vai uzglabājot izstrādājumu, piestipriniet zāles asmenim transportēšanas aizsargu.

Asmens grūdiens

- Asmens grūdiens ir pēkšņa izstrādājuma kustība uz sāniem, uz priekšu vai atpakaļ. Asmens grūdiens rodas tad, ja zāles asmens vai zāga asmens trāpa objektam, ko nevar pārgriezt. Vietās, kur nav viegli redzēt griežamo materiālu, asmens grūdiens iespējamība palielinās.
- Kad rodas asmens grūdiens, pastāv draudi, ka izstrādājums vai lietotājs tiks izsists no pareizā darba stāvokļa. Asmens, kas kustas, var trāpīt tuvumā esošiem cilvēkiem, radot traumas.
- Ja asmens ir saliecies, saplaisājis vai bojāts, izmetiet to.
- Lietojiet asu asmeni. Ja asmens nav ass, pastāv lielāka asmens grūdiena iespēja.

Drošības norādījumi, rīkojoties ar degvielu



BRĪDINĀJUMS: Pirms sākat lietot izstrādājumu, izlasiet tālāk izklāstītās brīdinājuma instrukcijas.

- Nemaisiet degvielu iekštelpās vai karstu virsmu tuvumā.
- Nelietojiet izstrādājumu, ja uz tā ir degviela vai dzinēja eļļa. Notīriet nevēlamo degvielu/eļļu un ļaujiet izstrādājumam nožūt. Notīriet no izstrādājuma nevēlamo degvielu.
- Ja degviela ir nokļuvusi uz apģērba, nekavējoties pārģērbieties.
- Neļaujiet degvielai nonākt uz ķermeņa, jo tā var izraisīt savainojumus. Ja degviela ir nonākusi uz ķermeņa, izmantojiet ziepes un ūdeni, lai to nomazgātu.
- Neiedarbiniet dzinēju, ja uz izstrādājuma vai jūsu ķermeņa ir izlijusi eļļa vai degviela.
- Nelietojiet izstrādājumu, ja dzinējā ir sūce. Regulāri pārbaudiet, vai dzinējam nav radusies sūce.
- Rīkojoties ar degvielu, esiet uzmanīgs. Degviela ir viegli uzliesmojoša, tās tvaiki ir sprādzienbīstami, un var izraisīt savainojumus vai nāvi.
- Neieelpojiet degvielas tvaikus, jo tie var izraisīt savainojumus. Pārliedzinieties, vai gaisa plūsma ir pietiekama.
- Nesmēķējiet degvielas vai dzinēja tuvumā.
- Nenovietojiet siltus objektus degvielas vai dzinēja tuvumā.
- Nepievienojiet degvielu dzinēja darbības laikā.
- Pirms degvielas uzpildes pārliedzinieties, vai dzinējs ir atdzisis.
- Pirms uzpildes lēni atveriet degvielas tvertnes vāciņu un uzmanīgi izlaidiet spiedienu.
- Neveiciet dzinēja degvielas uzpildi telpās. Nepietiekama gaisa plūsma var izraisīt savainojumus vai nāvi, nosmokot vai saindējoties ar oglekļa monoksīdu (tvana gāzi).
- rūpīgi pievelciet degvielas tvertnes vāciņu, lai neizraisītu aizdegšanos.
- Pirms iedarbināšanas pārvietojiet izstrādājumu vismaz 3 m (10 pēdu attālumā) no vietas, kur veicat uzpildi.
- Neleļļiet degvielas tvertnē pārāk daudz degvielas.
- Pārliedzinieties, vai, pārvietojot izstrādājumu vai degvielas tvertni, nerodas sūce.
- Nenovietojiet izstrādājumu vai degvielas tvertni vietā, kur ir atklāta uguns, dzirksteles vai signāllampīņas. Pārliedzinieties, vai uzglabāšanas vietā nav atklāta uguns.
- Degvielas pārvietošanai un uzglabāšanai izmantojiet tikai tam paredzētas tvertnes.
- Pirms ilgstošas uzglabāšanas iztukšojiet degvielas tvertni. Ievērojiet vietējos noteikumus par atbrīvošanos no degvielas.
- Pirms ilgstošas uzglabāšanas notīriet izstrādājumu.
- Pirms izstrādājuma novietošanas glabāšanā izņemiet aizdedzes sveci, lai nodrošinātu, ka dzinējs nejauši neieslēdzas.

Norādījumi par drošu apkopi



BRĪDINĀJUMS: Pirms veicat produkta apkopi, izlasiet brīdinājuma norādījumus.

- Veiciet tikai lietotāja rokasgrāmatā norādītos uzturēšanas un apkopes darbus. Uzticiet visus pārējos apkopes un labošanas darbus veikt kvalificētiem tehniskā dienesta darbiniekiem.
- Regulāri izpildiet šajā rokasgrāmatā aprakstītos norādījumus par drošības pārbaudēm, uzturēšanu un tehnisko apkopi. Regulāri veikta apkope pagarina ķēdes zāga darbību un samazina nelaimes gadījumu risku. Norādījumus skatiet šeit: *Apkopes grafiks lpp. 240.*
- Ja pēc apkopes šajā lietotāja rokasgrāmatā aprakstītās drošības pārbaudes netiek apstiprinātas, sazinieties ar vietējo apkopes sniedzēju. Mēs garantējam profesionālu remontdarbu un apkopes pieejamību jūsu produktam.

Montāža

Ievads



BRĪDINĀJUMS: Pirms montējat izstrādājumu, izlasiet nodaļu par drošību un pārliedzinieties, vai saprotat to.



BRĪDINĀJUMS: Noņemiet aizdedzes sveces vadu no aizdedzes sveces, pirms montējat izstrādājumu.

Roktura montāža

1. Izskrūvējiet skrūvi aiz droseles roktura. (Att. 26)
2. Pārvietojiet droseles rokturi roktura stienā labajā pusē.

3. Salāgojiet atveri aiz droseles roktura ar atveri roktura stienā.
4. Virziet skrūvi cauri atverēm. Pievelciet skrūvi.
5. Pievienojiet stūri starp bultiņām uz vārpstas. Pievelciet skrūvi. (Att. 27)

Stiprinājuma skavas pievienošana

1. Uzlieciet stiprinājuma skavu uz vārpstas ar stiprinājuma skavas cilpu uz augšu. Novietojiet stiprinājuma skavu virs bultiņām uz vārpstas.
2. Ievietojiet droseles vadu stiprinājuma skavas apakšējā rievā.
3. Salāgojiet stiprinājuma skavas skrūvju atveres.
4. Skrūvju atverēs ievietojiet 2 skrūves.

5. Pievelciet skrūves.

Griešanas ierīces montāža

Griešanas ierīces aizsarga montāža

1. Novietojiet griešanas ierīces aizsargu (A) uz vārpstas. (Att. 28)
2. Ievietojiet skavu (B) griešanas ierīces aizsarga atverē.
3. Ievietojiet skrūvi (C) skavas atverē un piestipriniet pie griešanas ierīces aizsarga.

Zāles asmens montāža

1. Pārļiecinieties, vai griešanas ierīces aizsargs (A) ir pievienots izstrādājumam. Skatiet šeit: *Griešanas ierīces aizsarga montāža lpp. 237.* (Att. 29)
2. Lai fiksētu vārpstu, ievietojiet atverē aizturtaču (B).
3. Novietojiet asmeni (E), balsta cilindru (F) un balsta atloku (G) uz dzenamās vārpstas (D).
4. Pārļiecinieties, vai dzenošais disks (C) ir pareizi ievietots asmens centrālajā atverē. (Att. 30)

5. Uz dzenamās vārpstas novietojiet pretuzgriezni (H). Turiet kombinētās uzgriežņu atslēgas rokturi griešanas ierīces aizsarga tuvumā. Pagrieziet kombinēto uzgriežņu atslēgu pretēji pulkstenrādītāja virzienam, lai piegrieztu pretuzgriezni. Pievelciet pretuzgriezni līdz 35–50 Nm (26–36 pēdām uz mārciņu).
6. Iznemiet aizturtaču.

Trimeras galvas pievienošana

1. Pārļiecinieties, vai griešanas ierīces aizsargs (A) ir pievienots izstrādājumam. Skatiet šeit: *Griešanas ierīces aizsarga montāža lpp. 237.* (Att. 31)
2. Pārļiecinieties, vai dzenošais disks (C) ir pievienots dzenamajai vārpstai (D).
3. Lai fiksētu vārpstu, ievietojiet atverē aizturtaču (B).
4. Uz dzenamās vārpstas novietojiet trimera galvu (E).
5. Pagrieziet trimera galvu pretēji pulkstenrādītāja virzienam, lai to piegrieztu pie dzenamās vārpstas. (Att. 32)
6. Iznemiet aizturtaču.

Darbība

Ievads



BRĪDINĀJUMS: Pirms sākat darbu ar produktu, izlasiet nodaļu par drošību un pārļiecinieties, vai saprotat to.

Degviela

Šim izstrādājumam ir divtaktu dzinējs.



IEVĒROJIET: Nepareiza veida degviela var sabojāt dzinēju. Izmantojiet benzīna un divtaktu dzinēja eļļas maisījumu.

Iepriekš sajaukta degviela

- Lai uzlabotu veiktspēju un pagarinātu motora darbību, izmantojiet Husqvarna iepriekš sajauktu labas kvalitātes alkilātu degvielu. Šī degviela satur mazāk ķīmisku vielu, salīdzinot ar parasto degvielu, tādējādi tiek samazināts kaitīgo izplūdes gāzu apjoms. Izmantojot šo degvielu, atliekvielu līmenis pēc sadegšanas ir zemāks, kas saglabā tīrus motora komponentus.

Degvielas sajaukšana

Benzīns



IEVĒROJIET: Neizmantojiet benzīnu, kura oktānskaitlis ir mazāks par 90 RON (87 AKI). Pretējā gadījumā produkts var tikt bojāts.



IEVĒROJIET: Neizmantojiet benzīns, kurā etanola koncentrācija pārsniedz 10% (E10). Pretējā gadījumā produkts var tikt bojāts.

- Vienmēr izmantojiet nelietotu bezsvina benzīnu ar oktānskaitli, kas nav mazāks par 90 RON (87 AKI) un kura etanola koncentrācija nepārsniedz 10% (E10).
- Ja bieži lietojat produktu ar ilgstošiem augstiem motora apgriezieniem, izmantojiet benzīnu ar augstāku oktānskaitli.

Dvtaktu eļļa

- Lai uzlabotu rezultātus un veiktspēju, izmantojiet Husqvarna divtaktu dzinēja eļļu.
- Ja Husqvarna divtaktu dzinēja eļļa nav pieejama, izmantojiet kvalitatīvu divtaktu dzinēju eļļu, kas paredzēta motoriem ar gaisa dzesēšanu. Lai izvēlētu pareizu eļļu, sazinieties ar vietējo apkopes sniedzēju.



IEVĒROJIET: Nelietojiet divtaktu dzinēja eļļu, kas paredzēta ar ūdeni dzesējamiem piekarināmiem dzinējiem; šādu eļļu dēvē arī par piekarināmu dzinēju eļļu. Nelietojiet četrtaktu dzinējiem paredzētu eļļu.

Benzīna un divtaktu dzinēja eļļas sagatavošana

Benzīns, litri	Dvtaktu dzinēja eļļa, litri
----------------	-----------------------------

	2% (50:1)
5	0,10
10	0,20
15	0,30
20	0,40



IEVĒROJIET: Samaisot mazu degvielas daudzumu, nelielas kļūdas var būtiski ietekmēt maisījuma attiecību. Rūpīgi nomēriet eļļas daudzumu un pārbaudiet, vai tiek iegūts pareizs maisījums.

(Att. 33)

1. Iepildiet pusi benzīna daudzuma tīrā degvielas tvertnē.
2. Pievienojiet visu daudzumu eļļas.
3. Sakratiet degvielas maisījumu.
4. Pievienojiet tvertnē pārējo benzīna daudzumu.
5. Rūpīgi sakratiet degvielas maisījumu.



IEVĒROJIET: Vienā reizē sajauciet degvielu, lai tās pietiek tikai 1 mēnesim.

Degvielas pievienošana

- Vienmēr izmantojiet degvielas konteineru ar aizsargaprīkojumu pret pārplūšanu.
- Ja konteinerā paliek degviela, iztukšojiet to un ļaujiet konteineram izžūt.
- Pārlicinieties, vai vieta ap degvielas tvertnes vāciņu ir tīra.
- Pirms degvielas maisījuma uzpildes degvielas tvertnē sakratiet degvielas konteineru.

Pieprādes veikšana

- Pirmajās 10 darba stundās ilgstoši neatveriet droseļi līdz galam bez slodzes.

Ieslēgšana un izslēgšana

Kas jāpārbauda pirms lietošanas

1. Pārlicinieties, vai izstrādājumam nav trūkstošu, bojātu, vaļīgu vai nodilušu daļu.
2. Pārlicinieties, vai skrūves un uzgriežņi ir piegriezti.
3. Pārlicinieties, vai asmeņi un trimera galva nav bojāti.
4. Pārlicinieties, vai pretuzgrieznis ir piegriezts. Skatiet šeit: *Pretuzgriežņa pārbaude lpp. 241*.
5. Pārlicinieties, vai gaisa filtrs nav aizsprostots.
6. Pārlicinieties, vai izstrādājuma drošības ierīces nav bojātas.

7. Pārlicinieties, vai no izstrādājuma nenoplūst degviela.

Stiprinājuma (drošības jostas) regulēšana



BRĪDINĀJUMS: Izstrādājumam vienmēr jābūt pareizi pievienotam stiprinājumam. Nelietojiet defektīvu stiprinājumu.

1. Uzlieciet drošības jostu.
2. Pievienojiet izstrādājumu stiprinājumam.
3. Noregulējiet uzkabi labākajā darba stāvoklī.
4. Noregulējiet sānu siksnas tā, lai izstrādājuma svars balstītos vienādi uz abiem pleciem. (Att. 34)
5. Regulējiet uzkabi, līdz griešanas ierīce ir paralēli zemei.
6. Ļaujiet, lai griešanas ierīce viegli atspiežas pret zemi. Noregulējiet stiprinājuma skavu, lai pareizi līdzsvarotu izstrādājumu.

Piezīme: Ja izmantojat zāles asmeņi, tam ir jābūt līdzsvarotam apmēram 10 cm/4 collu augstumā virs zemes.

Auksta dzinēja iedarbināšana

1. 10 reizes nospiediet atgaisošanas sūkni. (Att. 35)
2. Pavelciet uz augšu droseļvārsta vadības ierīci. (Att. 36)
3. Ar kreiso roku piespiediet zāga korpusu pie zemes. (Att. 37) Nekāpiet uz izstrādājuma. Lēni velciet startera auklas rokturi, līdz sajūtat pretestību. Pēc tam pavelciet startera auklas rokturi ar spēku.

Piezīme: Mēģinot iedarbināt dzinēju, nospiediet droseles mēfīti.

4. Turpiniet vilkt startera auklas rokturi (ne vairāk kā 3 reizes), līdz dzinējs tiek iedarbināts vai gandrīz iedarbināts. Ja dzinējs sāk darboties vai gandrīz sāk darboties, nospiediet droseļvārsta vadības ierīci uz leju. Turpiniet vilkt, līdz dzinējs iedarbināts. Pēc iedarbināšanas nogaidiet 60 sekundes, pēc tam pavelciet droseles mēfīti.



IEVĒROJIET: Nevelciet startera auklu līdz galam. Neatļaidiet startera auklu, kad tā pilnībā izvilkta. Atļaidiet startera auklu lēnām. Neievērojot šos norādījumus var izraisīt motora bojājumus.

Silta motora iedarbināšana

1. 10 reizes nospiediet atgaisošanas sūkni.
2. Pavelciet startera auklu, līdz tiek iedarbināts motors.

Dzinēja iedarbināšana, kad degviela ir pārāk karsta

Ja zāģis nesāk darboties, degviela var būt pārāk karsta.

Piezīme: Siltā laikā vienmēr lietojiet jaunu degvielu un samaziniet darba laiku.

1. Novietojiet zāģi vēsā vietā, neturiet to saules gaismā.
2. Ļaujiet zāģim atdzist vismaz 20 minūtes.
3. 10–15 sekundes atkārtoti nospiediet atgaisošanas sūkņa pūslīti.
4. Izpildiet auksta dzinēja iedarbināšanas darbības. Skatiet šeit: *Auksta dzinēja iedarbināšana lpp. 238.*

Apturēšana

- Nospiediet apturēšanas slēdzi, lai apturētu dzinēju. (Att. 21)

Piezīme: Apturēšanas slēdzis automātiski atgriežas sākotnējā stāvoklī.

Zāles trimmera darbināšana



IEVĒROJIET: Pirms katras darbības samaziniet motora ātrumu līdz brīvgaitas apgriezīenu skaitam. Ilgstoša darbināšana uz pilnu jaudu bez motora slodzes var radīt motora bojājumus.

Piezīme: Pievienojot jaunu trimmera auklu, noīriet trimmera galvas pārsegu, lai novērstu vibrāciju. Pārbaudiet pārējās trimmera galvas detaļas un noīriet, ja nepieciešams.

Zāles apgriešana

1. Turiet trimera galvu slīpi tieši virs zemes. Nespiediet trimera auklu tieši zālē. (Att. 38)
2. Saīsiniet trimera auklu par 10–12 cm/4–4,75 collām.
3. Samaziniet dzinēja apgriezīenu skaitu, lai samazinātu augiem nodarīta kaitējuma risku.
4. Veicot griešanu objektu tuvumā, izmantojiet 80% jaudas. (Att. 39)

Zāles griešana

1. Veicot zāles griešanu, zāles trimera auklai jābūt paralēli zemei. (Att. 40)
2. Nespiediet trimera galvu pret zemi. Pretējā gadījumā izstrādājums var tikt bojāts
3. Griežot zāli, virziet izstrādājumu horizontālā virzienā no vienas puses uz otru. Izmantojiet pilnībā atvērtu droseli. (Att. 41)

Zāles griešana ar zāles asmeni

1. Zāles asmeņus un zāles griežņus nedrīkst izmantot koka stuburu griešanai.

2. Visu veidu garas vai rupjas zāles griešanai ir jāizmanto zāles asmens.
3. Zāle ir jāgriež ar sānisku kustību no labās puses uz kreiso (plaušanas gājiens) un no kreisās uz labo (atgriežoties sākmstāvoklī). Sekojiet, lai asmens veiktu plaušanu ar kreiso malu (sektors starp nosacītās pulksteņa ciparnīcas 8 un 12).
4. Ja plaujot, asmens tiek saskvērts pa kreisi, zāle saguļas vālā, kas atvieglo tās savākšanu, piemēram, ar grābekli.
5. Centieties strādāt ritmiski. Stāviet stabili ar izplestām kājām. Pēc atgriešanās sākmstāvoklī pavirzieties nedaudz uz priekšu un atkal ieņemiet stabilu stāvokli.
6. Ļaujiet, lai balsta blodiņa viegli atspiežas pret zemi. Tas aizsargā asmeni pret saskari ar zemi.
7. Samaziniet materiāla aptīšanās iespēju ap asmeni, vienmēr strādājot ar maksimāli atvērtu droseli un izvairoties no materiāla griešanas, veicot atgriešanās kustību.
8. Pirms nogrieztā materiāla savākšanas apturiet dzinēju, atvienojiet trimeri no uzkabes un novietojiet uz zemes.

Zāles trimmera galva

- Pārļiecinieties, vai zāles trimmera galva ir stingri un vienmērīgi pievilka ap cilindru, lai samazinātu vibrāciju.
- Izmantojiet tikai apstiprinātas zāles trimmera galvas un zāles trimmera auklas. Skatiet šeit: *Piederumi lpp. 244.*
- Izmantojiet pareiza garuma zāles trimmera auklu. Gara zāles trimmera aukla patērē vairāk motora jaudas, nekā īsa zāles trimmera aukla.
- Pārļiecinieties, vai nav bojāts uz griešanas ierīces aizsarga piestiprinātais griežējs.
- Pirms zāles trimmera auklas piestiprināšanas produktam 2 dienas mērcējiet zāles trimmera auklu ūdenī. Tas palielina zāles trimmera auklas darbmūžu.

Trimera auklas nomaīņa

- (Att. 42)
- (Att. 43)
- (Att. 44)
- (Att. 45)
- (Att. 46)
- (Att. 47)
- (Att. 48)
- (Att. 49)

Tehniskā apkope

Ievads



BRĪDINĀJUMS: Pirms veicat apkopi, izlasiet nodaļu par drošību un pārliecinieties, vai izprotat to.

Lai veiktu visus izstrādājuma apkopes un remonta darbus, ir nepieciešama īpaša apmācība. Mēs garantējam profesionāla remonta un apkopes pieejamību. Ja jūsu izplatītājs nav servisa pārstāvis, vērsieties pie viņa, lai iegūtu informāciju par tuvāko servisa pārstāvi.

Apkopes grafiks

Iknedēļas apkope

- Notīriet ārējās virsmas.
- Pārbaudiet, vai griešanas ierīce negriežas, dzinējam darbojoties tukšgaitā. Skatiet šeit: *Tukšgaitas apgriezīu skaita regulēšana lpp. 240.*
- Pārbaudiet smērvielas līmeni konisko zobratu reduktorā. Skatiet šeit: *Koniskā zobrata ieeļļošana lpp. 241.*
- Pārbaudiet pretuzgriezni. Skatiet šeit: *Pretuzgriežņa pārbaude lpp. 241.*

Ikmēneša apkope

- Pārliecinieties, vai startera auklas rokturis un startera aukla nav bojāta.

Ikgadēja apkope

- Pārbaudiet aizdedzes sveci. Skatiet šeit: *Aizdedzes sveces pārbaude lpp. 240.*
- Notīriet karburatoru un virsmu ap to.
- Iztīriet dzesēšanas sistēmu.
- Pārbaudiet dzirksteļu uztvērēja režģi. Skatiet šeit: *Dzirksteļu uztvērēja režģa apkope lpp. 240.*
- Pārbaudiet degvielas filtru.
- Pārliecinieties, vai degvielas šļūtene nav bojāta.
- Pārliecinieties, vai izstrādājuma kabeļi un savienojumi nav bojāti.

Tukšgaitas apgriezīu skaita regulēšana

- Pirms tukšgaitas apgriezīu skaita regulēšanas pārliecinieties, vai gaisa filtrs ir tīrs un ir pietiprināts gaisa filtra pārsegs.
- Regulējiet tukšgaitas apgriezīu skaitu ar tukšgaitas regulēšanas skrūvi T, kas apzīmēta ar "T".
- Tukšgaitas apgriezīu skaits ir pareizs, ja dzinējs vienmērīgi darbojas visos režīmos. Tukšgaitas apgriezīu skaitam ir jābūt mazākam par to, pie kura griešanas ierīce sāk griezties.

1. Grieziet tukšgaitas regulēšanas skrūvi pulksteņrādītāju kustības virzienā, līdz griešanas ierīce sāk griezties. (Att. 50)
2. Grieziet tukšgaitas regulēšanas skrūvi pretēji pulksteņrādītāju kustības virzienam, līdz griešanas ierīce apstājas.

Dzirksteļu uztvērēja režģa apkope

Ar metāla suku iztīriet dzirksteļu uztvērēja režģi. (Att. 51)

Dzesēšanas sistēmas tīrīšana

Notīriet dzesēšanas sistēmas daļas ar suku.

(Att. 52)

Aizdedzes sveces pārbaude



IEVĒROJIET: Izmantojiet ieteikto aizdedzes sveces tipu. Pārliecinieties, vai rezerves detaļa ir tāda pati kā ražotāja nodrošinātā. Nepareiza aizdedzes svece var radīt izstrādājuma bojājumus.

1. Pārbaudiet aizdedzes sveci šādos gadījumos:
 - a) samazinās dzinēja jauda;
 - b) dzinēju ir grūti iedarbināt;
 - c) tukšgaitā dzinējs nedarbojas pareizi.
2. Ja dzinēju ir grūti iedarbināt vai darbināt, pārbaudiet, vai uz aizdedzes sveces nav uzkrājušies nevēlami materiāli. Lai samazinātu nevēlamu materiālu uzkrāšanos uz aizdedzes sveces elektrodiem:
 - a) pārliecinieties, vai tukšgaitas apgriezīu skaits ir pareizi noregulēts;
 - b) pārliecinieties, vai degvielas maisījums ir pareizs;
 - c) pārliecinieties, vai gaisa filtrs ir tīrs.
3. Ja aizdedzes svece ir netīra, notīriet to. Pārbaudiet, vai attālums starp aizdedzes sveces elektrodiem ir pareizs. (Att. 53)
4. Kad nepieciešams, nomainiet aizdedzes sveci.

Gaisa filtra apkope

Gaisa filtra tīrīšana

1. Noņemiet gaisa filtra pārsegu un izņemiet gaisa filtru. (Att. 54)
2. Iztīriet gaisa filtru ar siltu ziepjūdeni. Pirms uzstādīšanas pārliecinieties, vai gaisa filtrs ir sauss.
3. Nomainiet gaisa filtru, ja tas ir pārāk netīrs, lai to pilnībā notīrītu. Vienmēr nomainiet bojātu gaisa filtru.

4. Ja izstrādājumam ir putu polistirola filtrs, ieeļļojiet to ar gaisa filtra eļļu. Gaisa filtra eļļu izmantojiet tikai putu polistirola filtram. Nelietojiet eļļu filtra filtram.

Gaisa filtra ieeļļošana ar gaisa filtra eļļu



IEVĒROJIET: Putu polistirola filtriem vienmēr izmantojiet speciālo gaisa filtra eļļu. Neizmantojiet citu veidu eļļas.



BRĪDINĀJUMS: Neļaujiet eļļai nonākt uz jūsu ķermeņa.

1. Noņemiet gaisa filtra pārsegu un izņemiet gaisa filtru. (Att. 55)
2. Ievietojiet gaisa filtru plastmasas maisiņā.
3. Ievietojiet gaisa filtra eļļu plastmasas maisiņā. (Att. 56)
4. Saspieties plastmasas maisiņu, lai nodrošinātu, ka eļļa tiek vienmērīgi uzklāta uz gaisa filtra.
5. Uzspiediet uz gaisa filtra, kad tas atrodas maisiņā, lai notīrītu lieko gaisa filtra eļļu. Izņemiet gaisa filtru no maisiņa.
6. Uzstādiet gaisa filtru.

Koniskā zobrata ieeļļošana

Sekoiet, lai koniskais zobrats būtu par trīs ceturtdaļām piepildīts ar smērvielu.

(Att. 57)

Pretuzgriežņa pārbaude



IEVĒROJIET: Pēc katras desmitās lietošanas reizes nomainiet pretuzgriežni.

1. Pagrieziet pretuzgriežni pretēji pulksteņrādītāja virzienam, lai to piegrieztu. Pagrieziet pretuzgriežni pulksteņrādītāja virzienā, lai to piegrieztu. (Att. 58)
2. Pārliecinieties, vai nevarat pagriezt pretuzgriežņa neilona oderējumu ar rokām. Neilona oderējumam jārada vismaz 1,5 Nm (1,1 pēdu uz mārciņu) liela pretestība.
3. Ja pretestība ir mazāka par minimālo vērtību, piegrieziet pretuzgriežni, izmantojot spriedzes momentu 35–50 Nm/26–36 pēdas uz mārciņu.



IEVĒROJIET: Ja piegriezīsit pretuzgriežni pārāk spēcīgi, var tikt bojātas vītnes.

Zāles naža un zāles asmens asināšana



BRĪDINĀJUMS: Apstādiniet dzinēju. Lietojiet aizsargcimdus.

- Lai pareizi uzasinātu zāles nazi vai zāles asmeni, skatiet instrukcijas, kas ir pievienotas griešanas ierīcei.
- Lai nodrošinātu līdzsvaru, visas malas uzasiniet vienādi.
- Izmantojiet viengabala plakano vīli. (Att. 59)



BRĪDINĀJUMS: Vienmēr atbrīvojieties no asmens, kas ir bojāts. Nemēģiniet iztaisnot saliektu vai savērtu asmeni un izmantot to vēlreiz.

Problēmu novēršana

Dzinējs neiedarbojas

Kas jāpārbauda	Iespējamais iemesls	Darbības
Apturēšanas slēdzis.	Apturēšanas slēdzis ir apturēšanas stāvoklī.	Pārslēdziet apturēšanas slēdzi iedarbināšanas stāvoklī
Startera sprūdi.	Startera sprūdi nevar brīvi kustēties.	Noņemiet startera pārsegu un notīriet apturēšanas sprūdiem. Ļaujiet pilnvarotam apkopes pārstāvim jums palīdzēt.
Degvielas tvertne.	Nepiemērota degviela.	Iztukšojiet degvielas tvertni un uzpildiet ar piemērotu degvielu.

Kas jāpārbauda	Iespējamais iemesls	Darbības
Aizdedzes svece.	Aizdedzes svece ir netīra vai mitra.	Pārbaudiet, vai aizdedzes svece ir sausa un tīra.
	Attālums starp aizdedzes sveces elektrodiem nav pareizs.	Noīriet aizdedzes sveci. Pārbaudiet, vai aizdedzes sveces elektrodu atstarpe ir pareiza. Pārbaudiet, vai aizdedzes svece ir aprīkota ar slāpētāju.
		Informāciju par pareizo elektrodu atstarpī skatiet tehnisko datu sadaļā.
	Aizdedzes svece ir vaļīga.	Pievelciet aizdedzes sveci.

Dzinējs sāk darboties, taču atkal apstājas

Kas jāpārbauda	Iespējamais iemesls	Procedūra
Degvielas tvertne	Nepareizs degvielas tips.	Iztukšojiet degvielas tvertni un uzpildiet ar pareizo degvielu.
Gaisa filtrs	Ir aizsprostots gaisa filtrs.	Iztīriet gaisa filtru.

Pārvadāšana, glabāšana un utilizēšana

Transportēšana un glabāšana

- Pirms transportēšanas vai glabāšanas ļaujiet izstrādājumam atdzist.
- Pirms ilgstošas glabāšanas noņemiet aizdedzes sveces uzgali.
- Pirms transportēšanas laikā nostipriniet izstrādājumu. Pārliecinieties, ka tas nevar kustēties.

- Pārliecinieties, ka nav degvielas noplūdes, degvielas tvaiku, dzirksteļu vai liesmu riska transportēšanas un glabāšanas laikā.
- Transportēšanas un glabāšanas laikā piestipriniet transportēšanas aizsargu.
- Pirms ilgstošas glabāšanas noīriet izstrādājumu un saremontējiet to.

Tehniskie dati

Tehniskie dati

	325R A05328CBHV
Dzinējs	
Cilindra darba tilpums, cm ³	27,6
Brīvgaitas apgriezumu skaits, apgr./min.	2800–3200
Ieteicamais maksimālais apgriezumu skaits, apgr./min.	8000
Jauda/maks. dzinēja jauda saskaņā ar ISO 8893, kW/zp (apgr./min)	0,9/1,2 @ 8000
Trokšņa slāpētājs ar katalītisko neitralizatoru	Jā

	325R A05328CBHV
Dzenamās vārpstas apgriezību skaits, apgr./min	7200
Aizdedzes sistēma	
Aizdedzes svece	Husqvarna HQT-4
Atstarpe starp elektrodiem, mm	0,5
Degvielas sistēma	
Degvielas tvertnes tilpums, l/cm ³	0,343/343
Izstrādājuma izmēri	
Svars, kg	5,5
Trokšņa emisija⁴⁶	
Skaņas līmenis ar zāles asmeni aprīkotam izstrādājumam, dB (A)	108
Skaņas līmenis ar trimera galvu aprīkotam izstrādājumam, dB (A)	110
Garantētais skaņas līmenis (L _{WA}) ar zāles asmeni aprīkotam izstrādājumam, dB (A)	112
Garantētais skaņas līmenis (L _{WA}) ar trimera galvu aprīkotam izstrādājumam, dB (A)	114
Skaņas līmeņi⁴⁷	
Skaņas spiediena līmenis pie operatora auss, uzstādīts zāles asmens (dB(A))	96
Skaņas spiediena līmenis pie operatora auss, uzstādīta trimera galva (dB(A))	95
Vibrācijas līmeņi⁴⁸	
Līdzvērtīgs vibrācijas līmenis (ahv, eq), uzstādīts zāles asmens, kreisās puses rokturis, m/s ²	5.1
Līdzvērtīgs vibrācijas līmenis (ahv, eq), uzstādīts zāles asmens, labās puses rokturis, m/s ²	5,7
Līdzvērtīgs vibrācijas līmenis (ahv, eq), uzstādīta trimera galva, kreisās puses rokturis, m/s ²	4.1
Līdzvērtīgs vibrācijas līmenis (ahv, eq), uzstādīta trimera galva, labās puses rokturis, m/s ²	4,9

⁴⁶ Atbilstoši EK direktīvai 2000/14/EK trokšņa emisija apkārtne ir mērīta kā skaņas jauda (L_{WA}). Novērotais izstrādājuma skaņas jaudas līmenis ir izmērīts ar pievienotu oriģinālo griešanas ierīci, kas rada augstāko līmeni. Atšķirība starp garantēto un izmērīto skaņas jaudas līmeni ir tāda, ka garantētā skaņas intensitātes līmeņa mērījumu rezultāts ietver arī izkliedi mērījuma rezultātā un atšķirības dažādiem tā paša modeļa izstrādājumiem atbilstoši Direktīvai 2000/14/EK.

⁴⁷ Sniegtajos datos par ekvivalenta skaņas spiediena līmeni ierīcei ir tipiska statistiskā 1 dB (A) izkliede (standarta novirze).

⁴⁸ Sniegtajos datos par ekvivalentu vibrācijas līmeni ir tipiska 1 m/s² statistiskā izkliede (standarta novirze).

Piederumi

Piederumi

Apstiprinātie piederumi	Tips	Griešanas ierīces aizsargs
Vārpsta ar vītņi	M10L	
Trimerā galva	T35, 2,4 mm	588 11 79-01
Zāles asmens	Zāle, 255-4, Ø 250	588 11 79-01

EK atbilstības deklarācija

EK atbilstības deklarācijas saturs

Ar šo mēs, Husqvarna AB, SE 561 82 Huskvarna, ZVIEDRIJĀ, ar pilnu atbildību apliecinām, ka šis izstrādājums:

Apraksts	Benzīna zāles trimēris/ krūmgriezis
Zīmols	Husqvarna
Platforma/tips/modelis	PlatformaA05328CBHV, kas pārstāv modeli 325R.
Partija	Sērijas numurs, sākot no 2018. gada.

pilnībā atbilst šādām ES direktīvām un noteikumiem:

Direktīva/regula	Apraksts
2006/42/EK	par mašīnām
2014/30/EK	par elektromagnētisko sa- vietojamību
2000/14/EK	par trokšņa emisiju vidē
2011/65/EK	"noteiktu bīstamu vielu lie- tošanas ierobežojums"

Ir piemēroti šādi saskaņotie standarti un/vai tehniskās specifikācijas: EN ISO 12100, EN ISO 11806-1, CISPR 12, ISO 14982, EN 50581:2012 .

Saskaņā ar Direktīvas 2000/14/EK V pielikumu deklarātie skaņas līmeņi ir norādīti šīs rokasgrāmatas tehnisko datu sadaļā un parakstīti EK Atbilstības deklarācijā.

TÜV Rheinland N.A. veica brīvprātīgu pārbaudi Husqvarna AB vārdā, izsniedzot atbilstības sertifikātu saskaņā ar EK Padomes Direktīvu 2006/42/EK par mašīnām.

Šis sertifikāts, kas pievienots parakstītajai EK Atbilstības deklarācijai, ir derīgs visām ražotnēm un izcelsmes valstīm, kas norādītas uz izstrādājuma.

Piegādātais benzīna zāles trimēris/krūmgriezis atbilst izstrādājumam, kam tika veikta pārbaude.

Inhoud

Inleiding.....	246	Problemen oplossen.....	257
Veiligheid.....	247	Vervoer, opslag en verwerking.....	257
Montage.....	252	Technische gegevens.....	258
Bediening.....	252	Accessoires.....	259
Onderhoud.....	255	EG-conformiteitsverklaring.....	260

Inleiding

Gebruikershandleiding

De oorspronkelijke taal van deze gebruikshandleiding is Engels. Bedieningshandleidingen in andere talen zijn vertalingen uit het Engels.

Gebruik

Gebruik het product met een zaagblad, een grasmaaiblad of een trimmerkop voor het snoeien van verschillende soorten vegetatie.

Productoverzicht

(Fig. 1)

1. Trimmerkop
2. Vuldop smeervet
3. Hoekoverbrenging
4. Beschermkap voor snijuitrusting
5. Steel
6. Stopschakelaar
7. Gashendel
8. Gashendelvergrendeling
9. Handgreep
10. Klem voor draagstel
11. Starterhuis
12. Bougiekap, bougie
13. Starthendel
14. Brandstoftank
15. LuchtfILTERDEKSEL
16. Primerbalg van brandstofpomp
17. Chokehendel
18. Handvatinstelling
19. Gaskabel
20. Knop hoog stationair toerental
21. Kabelboom
22. Ring-steeksleutel
23. Bedieningshandleiding
24. Transportbescherming
25. Mes
26. Steunkop
27. Steunflens
28. Borgmoer

Let op: Nationale wetgeving kan het gebruik van dit product mogelijk beperken.

29. Meenemer
30. Borgpen
31. Inbussleutel

Symbolen op het product

(Fig. 2) **WAARSCHUWING!** Dit product is gevaarlijk. Onzorgvuldig of onjuist gebruik van het product kan leiden tot letsel of de dood van de gebruiker of omstanders. Lees en volg alle veiligheidsinstructies in de bedieningshandleiding om letsel bij de gebruiker of omstanders te voorkomen.

(Fig. 3) Lees de bedieningshandleiding zorgvuldig door en zorg dat u de instructies hebt begrepen voordat u het product gebruikt.

(Fig. 4) Gebruik een veiligheidshelm op locaties waar objecten op u kunnen vallen. Gebruik goedgekeurde gehoorbescherming. Gebruik goedgekeurde oogbescherming.

(Fig. 5) Draag goedgekeurde veiligheidshandschoenen.

(Fig. 6) Gebruik antislipplaaizen voor zwaar gebruik.

(Fig. 7) De pijlen geven de limieten van de positie van de hendel weer.

(Fig. 8) Het gebruik van het product kan tot rondvliegende voorwerpen leiden, waardoor letsel kan ontstaan.

- (Fig. 9) Maximum toerental van de uitgaande as.
- (Fig. 10) Houd personen en dieren op een minimale afstand van 15 m (50 ft) tijdens het gebruik van dit product.
- (Fig. 11) Risico op terugslag als de snijuitrusting een object raakt dat niet onmiddellijk wordt gesneden. Het product kan lichaamsdelen amputeren. Houd personen en dieren op een minimale afstand van 15 m (50 ft) tijdens het gebruik van dit product.
- (Fig. 12) Primerbalg van brandstofpomp.
- (Fig. 13) Choke.
- (Fig. 14) Houd alle lichaamsdelen uit de buurt van de hete oppervlakken.
- (Fig. 15) Geluidsemissie naar de omgeving, raadpleeg de EG-richtlijn. De emissie van het product staat vermeld in het hoofdstuk "Technische gegevens" en op het label.
- (Fig. 16) Het product voldoet aan de geldende EG-richtlijnen.
- (Fig. 17) Het product voldoet aan de geldende EAC-richtlijnen.

Het productplaatje toont het serienummer. **yyyy** is het productiejaar, **ww** is de productieweek en **xxxxx** is het serienummer.

yyyywwxxxxx

Let op: Andere symbolen/stickers op het product hebben betrekking op certificeringseisen voor overige commerciële markten.

Productaansprakelijkheid

Zoals uiteengezet in de wet voor productaansprakelijkheid zijn wij niet aansprakelijk voor schade die door ons product wordt veroorzaakt, indien:

- het product niet goed is gerepareerd.
- het product is gerepareerd met onderdelen die niet van de fabrikant afkomstig zijn, of onderdelen die niet zijn goedgekeurd door de fabrikant.
- het product een accessoire bevat die niet afkomstig is van de fabrikant of niet is goedgekeurd door de fabrikant.
- het product niet is gerepareerd door een erkend servicepunt of door een erkende autoriteit.

EU V



WAARSCHUWING: De EU-typegoedkeuring van dit product vervalt als ongeoorloofde wijzigingen aan de motor aangebracht worden.

Veiligheid

Veiligheidsdefinities

Waarschuwingen, voorzorgsmaatregelen en opmerkingen worden gebruikt om te wijzen op belangrijke delen van de handleiding.



WAARSCHUWING: Wordt gebruikt om te wijzen op de kans op ernstig of fataal letsel voor de gebruiker of omstanders wanneer de instructies in de handleiding niet worden gevolgd.



OPGELET: Wordt gebruikt indien er een risico bestaat op schade aan het product en andere eigendommen of aan de omgeving wanneer de instructies in de handleiding niet worden gevolgd.

Let op: Geven verdere informatie die nodig is in een bepaalde situatie.

Trillingsveiligheid

Dit product is alleen bedoeld voor incidenteel gebruik. Het voortdurend of regelmatig bedienen van het product kan zorgen voor "witte vingers" of dergelijke medische problemen als gevolg van trillingen. Houd de toestand van uw handen en vingers in de gaten als u het product voortdurend of regelmatig gebruikt. Als uw handen of vingers verkleuren, pijn doen, tintelen of doof aanvoelen, stop dan met werken en raadpleeg onmiddellijk een arts.

Algemene veiligheidsinstructies



WAARSCHUWING: Lees de volgende waarschuwingen voordat u het product gaat gebruiken.

- Gebruik het product op de juiste manier. Onjuist gebruik leidt mogelijk tot letsel of de dood. Gebruik het product uitsluitend voor de taken die in deze handleiding worden genoemd. Gebruik het product niet voor andere taken.
- Volg de instructies in deze handleiding op. Volg de veiligheidssymbolen en veiligheidsinstructies op. Het niet in acht nemen van de instructies en de symbolen kan leiden tot letsel, schade of de dood.
- Gooi deze handleiding niet weg. Gebruik de instructies voor het monteren, gebruiken en onderhouden van uw product. Gebruik de instructies voor een correcte installatie van opzetstukken en accessoires. Gebruik alleen goedgekeurde opzetstukken en accessoires.
- Gebruik nooit een beschadigd product. Neem het onderhoudsschema in acht. Voer alleen onderhoudswerkzaamheden uit waarvoor u in deze handleiding een instructie aantreft. Alle overige onderhoudswerkzaamheden moeten door een erkend servicepunt worden uitgevoerd.
- Deze handleiding kan niet alle situaties beschrijven die zich voor kunnen doen wanneer u dit product gebruikt. Wees voorzichtig en gebruik uw gezond verstand. Gebruik het product niet en voer geen onderhoudswerkzaamheden aan het product uit als u niet zeker bent van de situatie. Neem voor meer informatie contact op met een productexpert, uw dealer, servicewerkplaats of erkende servicepunt.
- Koppel de bougiekabel los voordat u het product monteert, het product opslaat of onderhoudswerkzaamheden uitvoert.
- Gebruik het product niet als de oorspronkelijke specificatie is gewijzigd. Vervang geen onderdelen van het product zonder toestemming van de fabrikant. Gebruik alleen door de fabrikant goedgekeurde onderdelen. Onjuist onderhoud kan leiden tot letsel of de dood.
- Adem geen dampen in van de motor. Langdurig inademen van de uitlaatgassen van de motor kan een gevaar voor de gezondheid opleveren.
- Start het product niet in gesloten ruimtes of in de buurt van licht ontvlambaar materiaal. De uitlaatgassen zijn heet en kunnen vonken veroorzaken die tot brand kunnen leiden. Onvoldoende ventilatie kan leiden tot ernstig letsel of de dood door verstikking of het inademen van koolmonoxide.
- Wanneer u dit product gebruikt, genereert de motor een elektromagnetisch veld. Het elektromagnetische veld kan schade veroorzaken aan medische implantaten. Raadpleeg uw arts en de fabrikant van het medische implantaat voordat u het product gebruikt.

- Laat het product niet door een kind bedienen. Laat de machine niet bedienen door personen die de instructies niet hebben gelezen.
- Zorg ervoor dat u personen met een lichamelijke of geestelijke beperking die het product gebruiken, altijd in de gaten houdt. Er moet te allen tijde een verantwoordelijke volwassene aanwezig zijn.
- Berg het product op in een afgesloten ruimte die niet toegankelijk is voor kinderen of onbevoegde personen.
- Het product kan objecten uitwerpen en letsel veroorzaken. Neem de veiligheidsinstructies in acht om het risico op letsel of de dood te verlagen.
- Blijf in de buurt van het product wanneer de motor is ingeschakeld.
- De gebruiker van het product is verantwoordelijk indien zich een ongeval voordoet.
- Zorg dat er geen onderdelen beschadigd zijn, voordat u het product gebruikt.
- Zorg ervoor dat u minimaal 15 m (50 ft) van andere personen en dieren verwijderd bent, voordat u het product gaat gebruiken. Zorg ervoor dat personen in het aangrenzende gebied weten dat u het product gaat gebruiken.
- Neem nationale en lokale wetgeving in acht. Deze kan het gebruik van het product in sommige situaties beperken of verbieden.
- Gebruik het product niet als u moe bent, of onder invloed van alcohol, drugs of medicijnen verkeert. Ze kunnen een negatief effect hebben op uw zicht, alertheid, coördinatie of oordeel.

Veiligheidsinstructies voor montage



WAARSCHUWING: Lees de volgende waarschuwingen voordat u het product gaat gebruiken.

- Verwijder de bougiekabel van de bougie voordat u het product monteert.
- Draag goedgekeurde veiligheidshandschoenen.
- Zorg ervoor dat u het deksel en de as goed monteert, voordat u de motor start.
- De meenemer en de steunflens moeten correct in de opening in het midden van de snijuitrusting worden gepositioneerd. Een snijuitrusting die niet juist wordt bevestigd, kan ernstig letsel bij of de dood van de gebruiker of derden veroorzaken.
- Om het product veilig te gebruiken en letsel bij de gebruiker of andere personen te voorkomen, moet het altijd op de juiste manier aan het draagstel worden bevestigd.

Veiligheidsinstructies voor bediening



WAARSCHUWING: Lees de volgende waarschuwingen voordat u het product gaat gebruiken.

- Zorg ervoor dat het product volledig is gemonteerd voordat u het gaat gebruiken.
- Verplaats het product minstens 3 m (10 ft) van de plaats waar u de brandstoftank hebt gevuld, voordat u het product start. Plaats het product op een vlakke ondergrond. Zorg ervoor dat de snijuitrusting niet in aanraking komt met de grond of andere objecten.
- Het gebruik van het apparaat kan tot rondvliegende voorwerpen leiden, waardoor oogletsel kan ontstaan. Gebruik altijd goedgekeurde oogbescherming wanneer u het product gebruikt.
- Let op: Tijdens het gebruik kan een kind zonder uw medeweten dicht bij het product komen.
- Gebruik dit product niet als zich personen in het werkgebied bevinden. Schakel het product uit wanneer een persoon het werkgebied betreedt.
- Zorg dat u het product altijd onder controle hebt.
- Gebruik het product niet als u geen hulp kunt krijgen indien zich een ongeval voordoet. Zorg er altijd voor dat anderen weten dat u het product gaat gebruiken voordat u het product start.
- Draai niet met het product voordat u zeker weet dat er zich geen personen of dieren in de veiligheidszone bevinden.

- Verwijder alle ongewenste materialen uit het werkgebied voordat u begint. Als de snijuitrusting een object raakt, dan kan dit object worden uitgeworpen en letsel of schade veroorzaken. Ongewenst materiaal kan zich rond de snijuitrusting wikkelen en schade veroorzaken.
- Gebruik het product niet bij slecht weer (mist, regen, sterke wind, gevaar van blikseminslag of andere weersomstandigheden.). Slecht weer kan leiden tot gevaarlijke omstandigheden (zoals gladde oppervlakken).
- Zorg dat u vrij kunt bewegen en in een stabiele houding kunt werken.

(Fig. 18)

- Zorg dat u niet kunt vallen wanneer u het product gebruikt. Buig u niet voorover of achterover wanneer u het product bedient.
- Houd het product altijd met twee handen vast. Houd het apparaat rechts van uw lichaam.

(Fig. 19)

- Bedien het product zodanig dat de snijuitrusting zich onder uw middel bevindt.
- Als de chokhendel in de chokestand staat wanneer de motor wordt ingeschakeld, dan begint de snijuitrusting te draaien.
- Raak de hoekoverbrenging niet aan nadat de motor is uitgeschakeld. De hoekoverbrenging is heet nadat de motor is uitgeschakeld. Hete oppervlakken kunnen letsel veroorzaken.
- Schakel de motor uit voordat u het product verplaatst.
- Zet het product niet neer terwijl de motor is ingeschakeld.
- Schakel de motor uit en wacht totdat de snijuitrusting is gestopt voordat u ongewenst materiaal van het

product verwijderd. Laat de snijuitrusting eerst stoppen voordat u (al dan niet met een hulpmiddel) het maaisel verwijderd.

Persoonlijke beschermingsuitrusting



WAARSCHUWING: Lees de volgende waarschuwingen voordat u het product gaat gebruiken.

- Gebruik altijd de juiste persoonlijke beschermingsmiddelen wanneer u het product gebruikt. De persoonlijke beschermingsmiddelen nemen het risico op letsel niet weg. De persoonlijke beschermingsmiddelen verlagen de ernst van het letsel indien zich een ongeval voordoet.
- Gebruik altijd goedgekeurde oogbescherming wanneer u het product gebruikt.
- Bedien het product niet op blote voeten of met open schoenen. Gebruik altijd antisliplaarzen voor zwaar gebruik.
- Draag een lange broek van stevige stof.
- Gebruik indien nodig goedgekeurde beschermende handschoenen.
- Gebruik een helm als er objecten op uw hoofd kunnen vallen.
- Gebruik altijd goedgekeurde gehoorbescherming wanneer u het product gebruikt. Langdurig lawaai kan gehoorverlies veroorzaken.
- Zorg ervoor dat u een EHBO-kit bij de hand hebt.

Veiligheidsvoorzieningen op het product



WAARSCHUWING: Lees de volgende waarschuwingen voordat u het product gaat gebruiken.

- Gebruik het product nooit wanneer de veiligheidsvoorzieningen defect zijn.
- Controleer de veiligheidsvoorzieningen regelmatig op een juiste werking. Zie *Productoverzicht op pagina 246*.
- Als de veiligheidsvoorzieningen defect zijn, neem dan contact op met uw Husqvarna servicedealer.

Gashendelvergrendeling

De gashendelvergrendeling vergrendelt de gashendel. (Fig. 20)

Druk op de gashendelvergrendeling (A) om de gashendel (B) te ontgrendelen. Wanneer u de hendel ontgrendelt, gaan de gashendelvergrendeling en de gashendel terug naar hun oorspronkelijke stand.

1. Zorg dat de gashendel (B) is vergrendeld in de stationaire stand wanneer u de gashendelvergrendeling (A) ontgrendelt.
2. Druk op de gashendelvergrendeling (A) en controleer of deze teruggaat naar de oorspronkelijke stand wanneer u deze loslaat.

3. Druk op de gashendel (B) en controleer of deze teruggaat naar de oorspronkelijke stand wanneer u deze loslaat.

Start de motor en zet het gas volledig open. Laat de gashendel los en controleer of de snijuitrusting stopt. Als de snijuitrusting draait terwijl de gashendel in de stationaire stand staat, controleer dan de stelschroef voor de stationaire stand van de carburateur.

Stopschakelaar

Start de motor. Controleer of de motor stopt wanneer u de stopschakelaar in de stop-stand zet.

(Fig. 21)

Beschermkap voor snijuitrusting

De beschermkap van de snijuitrusting voorkomt dat losse objecten in de richting van de gebruiker kunnen vliegen.

(Fig. 22)

Controleer de beschermkap van de snijuitrusting op schade en vervang hem indien hij beschadigd is. Gebruik alleen de goedgekeurde beschermkap voor de snijuitrusting.

Geluiddemper

- Gebruik geen motor met een beschadigde geluiddemper. Een beschadigde geluiddemper laat het geluidsniveau stijgen en vergroot het risico van brand. Zorg dat er een brandblusser in de buurt is.
- Controleer regelmatig of de geluiddemper aan het product is bevestigd.
- Raak de motor en de geluiddemper niet aan terwijl de motor is ingeschakeld. Raak de motor en de geluiddemper een tijdje niet aan nadat de motor is uitgeschakeld. Hete oppervlakken kunnen letsel veroorzaken.
- Een hete geluiddemper kan brand veroorzaken. Let op als u het product in de buurt van ontvlambare vloeistoffen of dampen gebruikt.
- Raak geen onderdelen van de geluiddemper aan als de geluiddemper beschadigd is. De onderdelen kunnen kankerverwekkende chemicaliën bevatten.

Borgmoer

De borgmoer wordt gebruikt om een aantal soorten snijuitrusting te borgen.

(Fig. 23)

Wanneer u de borgmoer aanbrengt, haal deze dan aan in de richting die tegengesteld is aan de draairichting van de snijuitrusting.

Ontgrendelfunctie draagstel



WAARSCHUWING: Gebruik het draagstel niet als de ontgrendelfunctie defect is. Zorg dat de ontgrendelfunctie van het draagstel

naar behoren werkt wanneer u het product afstelt.

De ontgrendelfunctie van het draagstel bevindt zich aan de voorzijde van het product. De banden van het draagstel moet altijd in de juiste positie blijven.

(Fig. 24)

In een noodgeval zorgt de ontgrendelfunctie van het draagstel ervoor dat u zich snel van het product kunt losmaken.

Snijuitrusting



WAARSCHUWING: Lees de volgende waarschuwingen voordat u het product gaat gebruiken.

- Voer regelmatig onderhoud uit. Laat de snijuitrusting regelmatig door een erkend servicepunt controleren, zodat er aanpassingen en reparaties uitgevoerd kunnen worden.
 - Dit leidt tot betere prestaties van de snijuitrusting.
 - De levensduur van de snijuitrusting neemt toe.
 - Het risico van ongevallen neemt af.
- Gebruik uitsluitend een goedgekeurde beschermkap voor de snijuitrusting. Voor meer informatie zie *Accessoires op pagina 259*.
- Gebruik nooit beschadigde snijuitrusting.

Grasmaaibladen en grasmessen

- Gebruik het product met een goedgekeurd grasmaaiblad. Gebruik geen grasmaaiblad zonder dat de overige vereiste onderdelen naar behoren zijn aangebracht. Zorg dat de installatie op de juiste manier is uitgevoerd en dat de juiste onderdelen zijn gebruikt. Door een onjuiste installatie kan het blad worden weggeslingerd en ernstig letsel toebrengen aan de gebruiker en/of omstanders.
 - Draag beschermende handschoenen wanneer u het blad hanteert of daar onderhoudswerkzaamheden aan uitvoert.
 - Gebruik hoofdbescherming wanneer u een product met een grasmaaiblad gebruikt.
 - Grasmaaibladen en grasmessen worden gebruikt om ruw gras te maaien.
 - Een grasmaaiblad kan letsel veroorzaken als het nog draait nadat de motor wordt uitgeschakeld of de gashendel wordt losgelaten. Zorg ervoor dat het grasmaaiblad volledig tot stilstand is gekomen voordat u onderhoudswerkzaamheden uitvoert.
 - Schakel de motor uit voordat u werkzaamheden aan de snijuitrusting uitvoert. Zorg ervoor dat de snijuitrusting volledig tot stilstand komt. Koppel de kabel van de bougie los.
 - Gebruik alleen een goedgekeurde snijuitrusting of een juist geslepen blad.
 - Houd de snijtanden van het blad goed en juist geslepen.
- (Fig. 25)

- Gebruik nooit beschadigde snijuitrusting.
- Bevestig de transportbeveiliging op het grasmaaiblad wanneer u het product vervoert of opslaat.

Terugslag

- Een terugslag is een plotselinge beweging van het product naar de zijkant, naar voren of naar achteren. Een terugslag vindt plaats wanneer het grasmaaiblad of zaagblad een object raakt dat niet kan worden gemaaid. Op plaatsen waar u moeilijk kunt zien wat u maait, is er een groter risico op terugslag.
- Bij een terugslag bestaat het risico dat het product of de gebruiker uit zijn positie wordt gebracht. Een bewegend blad kan omstanders raken en er is kans op letsel.
- Gooi een blad dat verbogen is, scheuren vertoont of gebroken of beschadigd is, weg.
- Gebruik een scherp blad. Het risico op terugslag is groter als het blad niet scherp is.

Brandstofveiligheid



WAARSCHUWING: Lees de volgende waarschuwingen voordat u het product gaat gebruiken.

- Meng de brandstof niet binnenshuis of in de buurt van een warmtebron.
- Start het product niet als er brandstof of motorolie op het product aanwezig is. Verwijder de ongewenste brandstof/olie en laat het product drogen. Verwijder ongewenste brandstof van het product.
- Als u brandstof op uw kleding morst, trek dan direct andere kleding aan.
- Zorg dat er geen brandstof op uw lichaam terecht komt, dit kan letsel veroorzaken. Als er brandstof op uw lichaam terecht komt, verwijder deze dan met water en zeep.
- Start de motor niet als u brandstof op het product of op uw lichaam hebt gemorst.
- Start het product niet als er sprake is van een motorlekkage. Controleer de motor regelmatig op lekkage.
- Wees voorzichtig met brandstof. Brandstof is licht ontvlambaar en de dampen zijn explosief. Ze kunnen letsel veroorzaken of leiden tot de dood.
- Adem geen brandstofdampen in, dit kan letsel veroorzaken. Zorg voor voldoende ventilatie.
- Rook niet in de buurt van de brandstof of de motor.
- Plaats geen warme voorwerpen in de buurt van de brandstof of de motor.
- Vul geen brandstof bij terwijl de motor is ingeschakeld.
- Zorg ervoor dat de motor koud is wanneer u brandstof bijvult.

- Draai de tankdop langzaam open en laat de druk voorzichtig ontsnappen voordat u brandstof bijvult.
- Vul geen brandstof voor de motor bij in een afgesloten ruimte. Onvoldoende ventilatie kan leiden tot ernstig letsel of de dood door verstikking of het inademen van koolmonoxide.
- Draai de tankdop goed vast, zodat er geen brand kan ontstaan.
- Verplaats het product minstens 3 m (10 ft) van de plaats waar u de brandstoftank hebt gevuld, voordat u het product start.
- Doe niet te veel brandstof in de brandstoftank.
- Zorg dat er geen brandstof wordt gemorst wanneer u het product of de jerrycan met brandstof verplaatst.
- Plaats het product of de jerrycan met brandstof niet op een plaats waar deze wordt blootgesteld aan open vuur, vonken of waakvlammen. Zorg dat er geen open vuur aanwezig is in de opslagruimte.
- Gebruik alleen goedgekeurde jerrycans voor het verplaatsen of opslaan van brandstof.
- Leeg de brandstoftank voordat het product gedurende lange tijd wordt opgeslagen. Neem lokale wetgeving in acht voor het afvoeren van brandstof.
- Reinig het product voordat het gedurende lange tijd wordt opgeslagen.
- Verwijder de bougiekabel voordat het product wordt opgeslagen, zodat de motor niet onbedoeld kan starten.

Veiligheidsinstructies voor onderhoud



WAARSCHUWING: Lees de volgende waarschuwingen voordat u onderhoud aan het product gaat uitvoeren.

- De gebruiker mag alleen de onderhouds- en servicewerkzaamheden uitvoeren die in deze bedieningshandleiding zijn beschreven. Laat professioneel onderhoudspersoneel alle andere service en reparaties uitvoeren.
- Voer met regelmaat de in deze handleiding beschreven veiligheidscontroles en onderhouds- en service-instructies uit. Regelmatig onderhoud verlengt de levensduur van het product en verkleint de kans op ongevallen. Zie *Onderhoudsschema op pagina 255* voor instructies.
- Neem contact op met uw servicedealer als u na het uitvoeren van onderhoud het product niet kunt goedkeuren volgens de in deze bedieningshandleiding opgenomen veiligheidscontroles. Wij garanderen dat u daar professionele reparaties en service voor uw product krijgt.

Montage

Inleiding



WAARSCHUWING: Voordat u het product gaat monteren, dient u het hoofdstuk over veiligheid te lezen en hebben begrepen.



WAARSCHUWING: Verwijder de bougiekabel van de bougie voordat u het product monteert.

Handgreep monteren

1. Verwijder de schroef achter de gashendel. (Fig. 26)
2. Zet de gashendel naar de rechterkant van de handgreep.
3. Lijn de opening achter de gashendel uit met de opening in de handgreep.
4. Plaats de schroef door de openingen. Draai de schroef vast.
5. Breng de montageonderdelen aan tussen de pijlen op de as. Draai de schroef vast. (Fig. 27)

Klem van het draagstel installeren

1. Zet het draagstel op de steel met de lus van de draagstelklem omhoog. Breng de draagstelklem aan boven de pijlen op de steel.
2. Plaats de gaskabel in de sleuf van de onderste klem van het draagstel.
3. Zorg dat de schroefgaten van de draagstelklemmen op één lijn staan.
4. Breng twee schroeven in de schroefgaten aan.
5. Draai de schroeven vast.

Snijuitrusting monteren

Snijuitrusting monteren

1. Breng de bescherming (A) van de snijuitrusting aan op de steel. (Fig. 28)

2. Plaats de steun (B) in de gleuf op de bescherming van de snijuitrusting.
3. Bevestig de bout (C) door de opening in de steun op de bescherming van de snijuitrusting.

Grasopvangbak monteren

1. Zorg ervoor dat de bescherming (A) van de snijuitrusting aan het product is bevestigd. Zie *Snijuitrusting monteren op pagina 252*. (Fig. 29)
2. Breng de borgpen (C) aan in de opening om de steel te vergrendelen.
3. Monteer het maaiblad (D), de steunkop (E) en de steunflens (F) op de uitgaande as.
4. Zorg ervoor dat de meenemer met steunflens correct aangrijpt in de middelste opening van het grasmaaiblad. (Fig. 30)
5. Zet de meenemer (B) op de uitgaande as. Houd de steel van de dopsleutel dicht bij de bladbeschermkap vast. Draai de combinatiesleutel linksom om de borgmoer vast te draaien. Haal de moer aan met 35-50 Nm (26-36 ft/lb).
6. Verwijder de borgpen.

De trimmerkop monteren

1. Zorg ervoor dat de bescherming (A) van de snijuitrusting aan het product is bevestigd. Zie *Snijuitrusting monteren op pagina 252*. (Fig. 31)
2. Zorg ervoor dat de meenemer (C) is bevestigd aan de uitgaande as (D).
3. Breng de borgpen (C) aan in de opening om de steel te vergrendelen.
4. Zet de meenemer (B) op de uitgaande as.
5. Draai de trimmerkop linksom om deze op de uitgaande as vast te draaien. (Fig. 32)
6. Verwijder de borgpen.

Bediening

Inleiding



WAARSCHUWING: Voordat u het product gaat gebruiken, dient u het hoofdstuk over veiligheid te lezen en hebben begrepen.



OPGELET: Een verkeerde soort brandstof kan leiden tot motorschade. Gebruik een mengsel van benzine en tweetaktolie.

Brandstof

Dit product is uitgerust met een tweetaktmotor.

Voorgemengde brandstof

- Gebruik hoogwaardige voorgemengde Husqvarna alkylaatbrandstof voor optimale prestaties en een lange levensduur van de motor. Deze brandstof bevat minder schadelijke stoffen dan reguliere brandstof waardoor de uitstoot van schadelijke

uitlaatgassen wordt beperkt. Bij gebruik van deze brandstof blijven er minder verbrandingsresten in de motor achter waardoor de onderdelen van de motor schoner blijven.

Brandstof mengen

Benzine



OPGELET: Gebruik geen benzine met een octaangetal lager dan 90 RON (87 AKI). Dit kan schade aan het product veroorzaken.



OPGELET: Gebruik geen benzine met een ethanolgehalte van meer dan 10% (E10). Dit kan schade aan het product veroorzaken.

- Gebruik altijd nieuwe loodvrije benzine met een minimaal octaangetal van RON 90 (87 AKI) en een ethanolgehalte van minder dan 10% (E10).
- Gebruik benzine met een hoger octaangetal als u het product regelmatig gebruikt met een hoog motortoerental.

Tweetaktolie

- Gebruik voor de beste resultaten en optimale prestaties Husqvarna tweetaktolie.
- Als geen Husqvarna tweetaktolie beschikbaar is, gebruik dan een andere hoogwaardige tweetaktolie voor luchtgekoelde motoren. Bespreek de keuze van de tweetaktolie met uw servicedealer.



OPGELET: Gebruik geen tweetaktolie die bedoeld is voor watergekoelde buitenboordmotoren, zogenaamde outboardoil. Gebruik geen olie die is bedoeld voor viertaktmotoren.

Benzine en tweetaktolie mengen

Benzine, liter	Tweetaktolie, liter
	2% (50:1)
5	0,10
10	0,20
15	0,30
20	0,40



OPGELET: Wanneer u kleine hoeveelheden brandstof mengt, kunnen kleine fouten grote gevolgen hebben voor de mengverhouding. Meet de hoeveelheid olie nauwkeurig af om het juiste mengsel te verkrijgen.

(Fig. 33)

1. Giet de helft van de benzine in een schone brandstofbestendige houder.
2. Voeg de volledige hoeveelheid olie toe.
3. Schud het brandstofmengsel.
4. Giet de resterende hoeveelheid benzine in de houder.
5. Schud het brandstofmengsel grondig.



OPGELET: Meng maximaal de hoeveelheid brandstof die u nodig hebt voor 1 maand.

Brandstof vullen

- Gebruik altijd een jerrycan met een anti-morsschenkuit.
- Als er brandstof op de jerrycan aanwezig is, dan verwijdert u de ongewenste brandstof en laat u de jerrycan drogen.
- Zorg dat het oppervlak rondom de tankdop schoon is.
- Schud de jerrycan voordat u het brandstofmengsel in de brandstoftank laat lopen.

De motor laten inlopen

- Laat de motor tijdens de eerste 10 bedrijfsuren niet langdurig bij nullast draaien terwijl u volgas geeft.

Starten en stoppen

Controleren vóór het starten

1. Zorg ervoor dat er geen ontbrekende, beschadigde, loszittende of versleten onderdelen zijn.
2. Controleer of moeren en schroeven goed vastgedraaid zijn
3. Zorg ervoor dat de maaibladen of de trimmerkop niet zijn beschadigd.
4. Zorg voor voldoende ventilatie. Zie *De PRCD (aardlekschakelaar) inspecteren op pagina 256*.
5. Zorg dat het luchtfilter schoon is.
6. Controleer of de veiligheidsvoorzieningen op het product in orde zijn *.
7. Zorg ervoor dat het product geen brandstof lekt.

Draagstel afstellen



WAARSCHUWING: Het product moet altijd stevig aan het draagstel worden vastgehaakt. Gebruik nooit een defect product.

1. Doe het draagstel om.
2. Sluit het product aan op het stopcontact.
3. Stel het draagstel af voor de beste werkhouding.
4. Verstel de schouderband zodanig dat het product gelijkmatig op uw schouders weegt. (Fig. 34)

5. Stel het draagstel zodanig af dat de snijuitrusting parallel aan de grond is.
6. Laat de snijuitrusting licht tegen de grond rusten. Stel vervolgens de klem van het draagstel zodanig af dat het product goed in evenwicht is.

Let op: Als u een grasmaaiblad gebruikt, moet dit ongeveer 10 cm/4 inch boven de grond blijven.

Koude motor starten

1. Druk de primerbalg van de brandstofpomp langzaam 10 maal in. (Fig. 35)
2. Trek de chokehendel omhoog. (Fig. 36)
3. Druk de behuizing van het apparaat met uw linkerhand op de grond. (Fig. 37) Stap niet op het product. Trek langzaam aan de greep van het startkoord totdat u enige weerstand voelt. Trek daarna stevig aan de greep van het startkoord.

Let op: Trek niet aan de gashendel terwijl u de motor start.

4. Trek herhaaldelijk aan de greep van het startkoord totdat de motor start of probeert te starten (max. 3 keer trekken). Als de motor start of probeert te starten, drukt u de chokehendel omlaag. Trek net zolang aan de greep totdat de motor start. Wacht na het starten van de motor 60 seconden voordat u de gashendel bedient.



OPGELET: Trek niet aan het startkoord totdat deze stopt. Laat het startkoord niet los wanneer het volledig is uitgetrokken. Laat het startkoord langzaam los. Het niet naleven van deze instructies kan leiden tot motorschade.

Warme motor starten

1. Druk de primerbalg van de brandstofpomp langzaam 10 maal in.
2. Trek aan het startkoord totdat de motor start.

Motor starten als de brandstof te warm is

Als het apparaat niet start, is de brandstof mogelijk te warm.

Let op: Gebruik altijd nieuwe brandstof en verkort de gebruiksduur bij warm weer.

1. Leg het apparaat op een koele plek, uit de buurt van direct zonlicht.
2. Laat het apparaat minimaal 20 minuten afkoelen.
3. Druk het balgje van de brandstofpomp gedurende 10 tot 15 seconden telkens opnieuw in.
4. Volg de procedure voor het starten van een koude motor. Zie *Koude motor starten op pagina 254*.

Stoppen

- Druk de stopschakelaar in om de motor te stoppen. (Fig. 21)

Let op: De stopschakelaar keert automatisch terug naar zijn oorspronkelijke stand.

Grastrimmer bedienen



OPGELET: Zorg dat u het motortoerental na elke activiteit terug laat lopen naar het stationaire toerental. Langdurig gebruik bij onbelast volgas kan leiden tot motorschade.

Let op: Reinig de afdekking van de trimmerkop wanneer u een nieuwe trimmerdraad aanbrengt, om trillingen te voorkomen. Controleer de andere delen van de trimmerkop en reinig deze indien nodig.

Gras trimmen

1. Houd de trimmerkop vlak boven de grond en schuin. Druk de grastrimmerdraad niet in het gras. (Fig. 38)
2. Verkort de lengte van de trimmerdraad met 10-12 cm/4-4,75 inch.
3. Verlaag het motortoerental om het risico op schade aan planten te beperken.
4. Gebruik 80 % van het vermogen wanneer u in de buurt van objecten gras maait. (Fig. 39)

Gras maaien

1. Zorg dat de grastrimmerdraad parallel loopt aan de grond wanneer u gaat maaien. (Fig. 40)
2. Duw de trimmerkop niet op de grond. Dit kan schade aan het product veroorzaken.
3. Beweeg het product van de ene naar de andere zijde wanneer u grasmaait. Geef volgas. (Fig. 41)

Gras maaien met een grasmaaiblad

1. De grasmaaibladen en grasmessen mogen niet gebruikt worden bij houtachtige stammen.
2. Voor alle soorten hoog of sterk gras wordt een grasmaaiblad gebruikt.
3. Het gras wordt gemaaid met pendelende bewegingen naar de zijkanten, waarbij de beweging van rechts naar links het maaimoment is en de beweging van links naar rechts de retourbeweging. Laat de linkerkant van het blad werken (tussen 8 en 12 uur).
4. Indien het blad tijdens het grasmaaien een ietsje schuin naar links wordt gehouden, wordt het gras in een streng gelegd, hetgeen het verzamelen makkelijker maakt bijv. bij harken.
5. Probeer om ritmisch te werken. Sta stevig met uw voeten uit elkaar. Beweeg na de retourbeweging naar voren en zorg dat u weer stevig staat.

6. Laat de steunkop licht op de grond rusten. Deze is speciaal bedoeld om te voorkomen dat het blad in de grond snijdt.
 7. Verklein het risico dat het materiaal rond het blad wordt gewonden door altijd met volgas te werken en maaisel bij de retourbeweging te ontwijken.
 8. Schakel de motor uit, maak het draagstel los en zet de machine op de grond voordat u het gemaaide materiaal verzamelt.
- Zorg ervoor dat het mes op de beschermkap van de snijuitrusting niet beschadigd is.
 - Laat de grastrimmerdraad 2 dagen in water weken voordat u deze op het product bevestigt. Dit zorgt voor een langere levensduur van de grastrimmerdraad.

Grastrimmerkop

- Zorg dat u de grastrimmerdraad strak en gelijkmatig om de trommel rolt om trillingen te verminderen.
- Gebruik alleen goedgekeurde grastrimmerkoppen en grastrimmerdraden. Zie *Accessoires op pagina 259*.
- Gebruik een grastrimmerdraad met de juiste lengte. Een lange grastrimmerdraad gebruikt meer motorvermogen dan een korte grastrimmerdraad.

Trimmerdraad vervangen

(Fig. 42)
(Fig. 43)
(Fig. 44)
(Fig. 45)
(Fig. 46)
(Fig. 47)
(Fig. 48)
(Fig. 49)

Onderhoud

Inleiding



WAARSCHUWING: Voordat u onderhoud gaat uitvoeren, dient u het hoofdstuk over veiligheid te lezen en hebben begrepen.

Voor alle onderhouds- en reparatiewerkzaamheden aan het product is speciale training nodig. Wij garanderen de beschikbaarheid van professionele reparaties en onderhoud. Indien uw dealer geen servicewerkplaats heeft, vraag hem dan naar de dichtstbijzijnde servicewerkplaats.

Onderhoudsschema

Wekelijks onderhoud

- Reinig de externe oppervlakken.
- Zorg ervoor dat de snijuitrusting niet draait op stationair toerental. Zie *Stationair toerental afstellen op pagina 255*.
- Controleer het vetniveau in de hoekoverbrenging. Zie *Smeermiddel aanbrengen op de hoekoverbrenging op pagina 256*.
- Controleer de borgmoer. Zie *De PRCD (aardlekschakelaar) inspecteren op pagina 256*.

Maandelijks onderhoud

- Zorg ervoor dat de greep van het startkoord en het startkoord niet zijn beschadigd.

Jaarlijks onderhoud

- Controleer de bougie. Zie *Bougie controleren op pagina 256*.
- Reinig de externe oppervlakken van de carburateur en de aangrenzende oppervlakken.
- Reinig het koelsysteem.

- Controleer het vonkenscherm. Zie *Onderhoud uitvoeren aan het vonkenscherm op pagina 255*.
- Controleer het brandstoffilter.
- Verzeker u ervan dat het achterluik niet beschadigd is.
- Zorg ervoor dat de kabels en verbindingen op het product niet zijn beschadigd.

Stationair toerental afstellen

- Zorg dat het luchtfilter schoon is en dat het luchtfilterdeksel is aangebracht voordat het stationaire toerental wordt afgesteld.
 - Stel het stationaire toerental af met de bijbehorende T-stelschroef met de markering "T".
 - Het stationaire toerental is juist wanneer de motor in alle standen soepel draait. Het stationaire toerental moet lager zijn dan het toerental waarbij de snijuitrusting begint te draaien.
1. Draai de stelschroef rechtsom tot de snijuitrusting begint te draaien. (Fig. 50)
 2. Draai de stelschroef linksom tot de snijuitrusting stopt.

Onderhoud uitvoeren aan het vonkenscherm

Gebruik een staalborstel om het vonkenscherm te reinigen.
(Fig. 51)

Koelsysteem reinigen

Reinig de onderdelen van het koelsysteem met een borstel.
(Fig. 52)

Bougie controleren



OPGELET: Gebruik de aanbevolen bougie. Zorg dat het vervangende onderdeel identiek is aan het onderdeel dat door de fabrikant wordt geleverd. Een onjuiste bougie kan leiden tot schade aan het product.

1. Controleer de bougie als:
 - a) het motorvermogen laag is.
 - b) de motor niet soepel start.
 - c) de motor niet naar behoren werkt bij stationair toerental.
2. Als de motor niet soepel start of draait, controleer dan of er ongewenst materiaal op de bougie aanwezig is. Om het risico van ongewenst materiaal op de elektroden van de bougie te beperken:
 - a) zorg dat het stationaire motortoerental correct is afgesteld.
 - b) zorg dat het brandstofmengsel correct is.
 - c) zorg dat het luchtfilter schoon is.
3. Reinig de bougie als deze vuil is. Controleer of de afstand tussen de elektroden juist is. (Fig. 53)
4. Vervang de bougie indien nodig.

Onderhoud uitvoeren aan het luchtfilter

Het luchtfilter reinigen

1. Verwijder het luchtfilterdeksel en verwijder het luchtfilter. (Fig. 54)
2. Reinig het luchtfilter met een warm sopje van water en zeep. Zorg dat het luchtfilter droog is wanneer u dit aanbrengt.
3. Vervang het luchtfilter als het zo vuil is dat het niet meer volledig kan worden gereinigd. Vervang een beschadigd luchtfilter altijd.
4. Als uw product is uitgerust met een schuimluchtfilter, breng dan luchtfilterolie aan. Breng alleen luchtfilterolie aan op een schuimfilter. Breng geen olie aan op een viltfilter.

Luchtfilterolie aanbrengen op het luchtfilter



OPGELET: Gebruik altijd speciale luchtfilterolie op schuimluchtfilters. Gebruik geen andere typen olie.



WAARSCHUWING: Zorg dat er geen olie op uw lichaam terecht komt.

1. Verwijder het luchtfilterdeksel en verwijder het luchtfilter. (Fig. 55)

2. Doe het luchtfilter in een plastic zak.
3. Doe de luchtfilterolie in de plastic zak. (Fig. 56)
4. Druk op de plastic zak, zodat de olie gelijkmatig over het luchtfilter wordt verdeeld.
5. Duw op het luchtfilter in de plastic zak, om de overtollige luchtfilterolie te verwijderen. Verwijder het luchtfilter uit de tas.
6. Breng het luchtfilter aan.

Smeermiddel aanbrengen op de hoekoverbrenging

Zorg dat de hoekoverbrenging voor 3/4 gevuld is met smeermiddel.

(Fig. 57)

De PRCD (aardlekschakelaar) inspecteren



OPGELET: Vervang de borgmoer na elk 10e gebruik.

1. Draai de borgmoer linksom om de borgmoer vast te draaien. Draai de borgmoer rechtsom om de borgmoer te verwijderen. (Fig. 58)
2. Controleer of u de nylon borgring van de borgmoer met de hand kunt draaien. De minimale weerstand van de nylon borgring moet minimaal 1.5 Nm (1,1 ft lb) zijn.
3. Haal de borgmoer aan tot 35-50 Nm/26-36 ft/lb als de weerstand onder het minimum ligt



OPGELET: Als u de borgmoer te strak aandraait, kan dit schade aan de draden veroorzaken.

Slijpen van grasmaes en grasmaaiblad



WAARSCHUWING: Stop de motor. Draag beschermende handschoenen.

- Raadpleeg de meegeleverde instructies voor het correct slijpen van het grasmaes of grasmaaiblad.
- Slijp alle snijkanten gelijkmatig om de balans te bewaren.
- Gebruik een platte vijl met enkele kapping. (Fig. 59)



WAARSCHUWING: Gooi een blad dat beschadigd is altijd weg. Probeer niet om een verbogen of verdraaid blad recht te buigen en opnieuw te gebruiken.

Problemen oplossen

De motor start niet

Controle	Mogelijke oorzaak	Procedure
Stop-schakelaar.	De stop-schakelaar is in de "stop"-stand gezet.	Zet de stopschakelaar in de startpositie.
Starterpallen.	De starterpallen kunnen niet vrij bewegen.	Verwijder de starterkap en reinig rond de starterpallen.
		Zoek hulp van een erkende servicewerkplaats.
Brandstoftank.	Verkeerd type brandstof.	Tap de brandstoftank af en vul hem met de juiste brandstof.
Bougie.	De bougie is vies of nat.	Zorg ervoor dat de bougie droog en schoon is.
	De elektrodenafstand van de bougie is onjuist.	Bougie reinigen. Controleer of de afstand tussen de elektroden juist is. Zorg ervoor dat de bougie een onderdrukking heeft.
		Zie technische gegevens voor een correcte elektrodenafstand.
De bougie zit los.	Draai de bougie vast.	

De motor start, maar stopt weer

Controle	Mogelijke oorzaak	Procedure
Brandstoftank	Verkeerd type brandstof.	Leeg de brandstoftank en vul hem met de juiste brandstof.
LuchtfILTER	Het luchtfILTER is verstopt.	Maak het luchtfILTER schoon.

Vervoer, opslag en verwerking

Transport en opslag

- Laat het product afkoelen voor transport of opslag.
- Verwijder de kap van de bougie voor lange-termijnopslag.
- Bevestig het product tijdens transport. Zorg ervoor dat het niet kan bewegen.

- Zorg ervoor dat er geen gevaar is op brandstoflekkages, brandstofrook, vonken of vlammen tijdens transport en opslag.
- Bevestig de transportbescherming tijdens transport en opslag.
- Reinig en onderhoud het product voor lange-termijnopslag.

Technische gegevens

Technische gegevens

	325R
	A05328CBHV
Motor	
Cilinderinhoud, cm ³	27,6
Stationair toerental, rpm	2800 - 3200
Aanbevolen maximum toerental, omw./min.	8000
Max. motorvermogen volgens ISO 8893, kW/pk bij tpm	0,9/1,2 bij 8000
Geluiddemper met katalysator	Ja
Toerental van uitgaan as, tpm	7200
Ontstekingsysteem	
Bougie	Husqvarna HQT-4
Elektrodenafstand, mm	0,5
Brandstofsysteem	
Inhoud brandstoftank, l/gallon	0,343/343
Productafmetingen	
Gewicht, kg	5,5
Geluidsemisies⁴⁹	
Geluidsvermogeniveau, gemeten volgens ISO 22868, dB(A)	108
Geluidsvermogeniveau, gemeten volgens ISO 22868, dB(A)	110
Geluidsvermogeniveau, gegarandeerd (L _{WA}), uitgerust met grasmaablad, dB(A)	112
Geluidsvermogeniveau, gegarandeerd (L _{WA}), uitgerust met trimmerkop, dB(A)	114
Geluidsniveau⁵⁰	
Geluidsdrukniveau bij het oor van de gebruiker, uitgerust met een grasmaablad - zie opmerking 3	96
Geluidsdrukniveau bij het oor van de gebruiker, uitgerust met een grastrimmer - zie opmerking 3	95

⁴⁹ Geluidsemisie naar de omgeving gemeten als geluidsvermogen (L_{WA}) volgens EG-richtlijn 2000/14/ EG. Het gerapporteerde geluidsvermogeniveau voor de machine is gemeten met de originele snijuitrusting die het hoogste niveau geeft. Het verschil tussen gegarandeerd en gemeten geluidsvermogen is dat het gegarandeerde geluidsvermogen ook spreiding in het meetresultaat omvat en de verschillen tussen de verschillende machines van hetzelfde model conform Richtlijn 2000/14/EG.

⁵⁰ De gerapporteerde gegevens voor een vergelijkbaar geluidsdrukniveau voor de machine vertonen een typische statistische spreiding (standaardafwijking) van 1 dB(A).

	325R A05328CBHV
Trillingsniveau⁵¹	
Equivalent trillingsniveau (ahv, eq), uitgerust met grasmaaiblad, linker handgreep - zie opmerking 2	5,1
Equivalent trillingsniveau (ahv, eq), uitgerust met grasmaaiblad, rechter handgreep - zie opmerking 2	5,7
Equivalent trillingsniveau (ahv, eq), uitgerust met trimmerkop, linker handgreep - zie opmerking 2	4,1
Equivalent trillingsniveau (ahv, eq), uitgerust met trimmerkop, rechter handgreep - zie opmerking 2	4,9

Accessoires

Accessoires

Goedgekeurde accessoires	Type	Beschermkap voor snijtrusting
Schroefdraadas	M10L	
Trimmerkop	T35, 2,4 mm	588 11 79-01
Grasmaaiblad	Gras 255-4 (Ø 250)	588 11 79-01

⁵¹ De gerapporteerde gegevens voor een vergelijkbaar trillingsniveau vertonen een typische statistische spreiding (standaardafwijking) van 1 m/s².

EG-conformiteitsverklaring

Inhoud van de EG-verklaring van overeenstemming

Wij, Husqvarna AB, SE 561 82 Huskvarna, ZWEDEN, verklaren onder onze alleenverantwoordelijkheid dat het gerepresenteerde product:

Beschrijving	Grastrimmer / bosmaaier met benzinemotor
Merk	Husqvarna
Platform / Type / Model	Platform A05328CBHV, vertegenwoordigend model 325R
Partij	Serienummer vanaf 2018 en verder

volledig voldoet aan de volgende EU-richtlijnen en -regelgeving:

Richtlijn/Verordening	Beschrijving
2006/42/EG	"betreffende machines"
2014/30/EU	"betreffende elektromagnetische compatibiliteit"
2000/14/EG	"betreffende geluid buitenshuis"
2011/65/EU	"beperking van het gebruik van bepaalde gevaarlijke stoffen"

Toegepaste geharmoniseerde normen en/of technische specificaties zijn als volgt: EN ISO 12100, EN ISO 11806-1, CISPR 12, ISO 14982

In overeenstemming met richtlijn 2000/14/EG, bijlage V, staan de verklaarde geluidswaarden vermeld in de sectie met technische gegevens van deze handleiding en in de ondertekende EG-verklaring van overeenstemming.

TÜV Rheinland N.A. heeft een vrijwillig typeonderzoek uitgevoerd ten behoeve van Husqvarna AB, onder vermelding van Certificaat van overeenstemming met Machinerichtlijn 2006/42/EG van de Europese Raad.

Het certificaat, als vermeld op de ondertekende EG-verklaring van overeenstemming, is van toepassing op alle fabriekslocaties en landen van herkomst, zoals vermeld op het product.

De geleverde grastrimmer / bosmaaier met benzinemotor is conform het geteste exemplaar.

INNHOOLD

Innledning.....	261	Feilsøking.....	271
Sikkerhet.....	262	Transport, oppbevaring og avhending.....	271
Montering.....	266	Tekniske data.....	272
Bruk.....	267	Tilbehør.....	273
Vedlikehold.....	269	EF-samsvarserklæring.....	274

Innledning

Bruksanvisning

Det originale språket i denne bruksanvisningen er engelsk. Bruksanvisninger på andre språk er oversettelser fra engelsk.

Bruksområder

Bruk produktet sammen med en gressklinge eller et trimmerhode for å klippe ulike typer vegetasjon.

Produktoversikt

(Fig. 1)

1. Trimmerhode
2. Påfyllingslokk for smøremiddel
3. Vinkelgir
4. Vern for skjæreutstyr
5. Riggjør
6. Stoppbryter
7. Gassregulator
8. Gassregulatorsperre
9. Styre
10. Selekleppe
11. Startmotorhus
12. Tennpluggchette, tennplugg
13. Håndtak på startsnoren
14. Brennstofftank
15. Luftfilterlokk
16. Pumpe (blære)
17. Chokeregulator
18. Håndtaksjustering
19. Gassvaier
20. Knapp for høy tomgang
21. Sele
22. Kombinasjonsnøkkel
23. Bruksanvisning
24. Transportbeskyttelse
25. Hode
26. Støttekopp
27. Støtteflens
28. Låsemutter

Merk: Nasjonale forskrifter kan sette grenser for bruken av produktet.

29. Medbringer
30. Låsepinne
31. Unbrakonøkkel

Symboler på produktet

- (Fig. 2) **ADVARSEL!** Dette produktet er farlig. Brukeren eller personer i nærheten kan rammes av personskade eller død dersom produktet ikke brukes forsiktig og korrekt. Les og følg alle sikkerhetsinstruksjonene i brukerhåndboken for å forhindre personskade på brukeren eller personer i nærheten.
- (Fig. 3) Les nøye gjennom bruksanvisningen og sørg for at du har forstått instruksjonene før bruk.
- (Fig. 4) Bruk vernehjelm på steder der gjenstander kan falle ned på deg. Bruk godkjent hørselsvern. Bruk godkjent øyevern.
- (Fig. 5) Bruk godkjente vernehansker.
- (Fig. 6) Bruk kraftige, sklisikre støvler.
- (Fig. 7) Pilene viser grensene for plasseringen av håndtaket.
- (Fig. 8) Produktet kan kaste ut objekter, noe som kan føre til skader.
- (Fig. 9) Maksimal hastighet for den utgående akselen.

- (Fig. 10) Hold produktet minst 15 m unna personer og dyr når du bruker det.
- (Fig. 11) Det er en fare for klinge kast dersom skjæreutstyret berører et objekt som ikke umiddelbart lar seg klippe. Produktet kan skjære av kroppsdelar. Hold produktet minst 15 m unna personer og dyr når du bruker det.
- (Fig. 12) Pumpe (blære).
- (Fig. 13) Choke.
- (Fig. 14) Hold alle deler av kroppen borte fra varme overflater.
- (Fig. 15) Støyutslipp til omgivelsene ifølge EF-direktivet. Produktets utslipp angis i kapitlet Tekniske data og på klistremerket.
- (Fig. 16) Dette produktet samsvarer med gjeldende EF-direktiver.
- (Fig. 17) Dette produktet samsvarer med gjeldende EAC-direktiver.

Typeskiltet viser serie-nummeret. **yyyy** er produksjonsåret, **ww** er produksjonsuken og **xxxxx** er serie-nummeret.

yyyywwxxxx

Merk: Øvrige symboler/klistremerker angitt på produktet gjelder sertifiseringskrav for andre markeder.

Produktansvar

Som nevnt i lovverket om produktansvar er vi ikke ansvarlig for skader som produktet vårt forårsaker, hvis

- produktet er reparert på feil måte
- produktet er reparert med deler som ikke kommer fra produsenten eller som ikke er godkjent av produsenten
- produktet har et tilbehør som ikke kommer fra produsenten eller som ikke er godkjent av produsenten.
- produktet ikke er reparert på et godkjent servicesenter eller av en godkjent aktør

EU V



ADVARSEL: Tulling med motoren opphever EU-type-godkjenningen til dette produktet.

Sikkerhet

Sikkerhetsdefinisjoner

Advarsler, oppfordringer og merknader brukes for å understreke spesielt viktige deler av bruksanvisningen.



ADVARSEL: Brukes hvis det er fare for personskade eller død for føreren eller andre personer om instruksjonene i håndboken ikke følges.



OBS: Brukes hvis det er fare for skade på produktet, annet materiell eller nærliggende områder om instruksjonene i håndboken ikke følges.

Merk: Brukes for å gi mer nødvendig informasjon for en spesifikk situasjon.

Vibrasjonssikkerhet

Dette produktet er bare for sporadisk bruk. Kontinuerlig eller regelmessig bruk av produktet kan forårsake

syndromet «hvite fingre» eller tilsvarende medisinske problemer fra vibrasjoner. Vær oppmerksom på tilstanden til hendene og fingrene dine hvis du bruker produktet kontinuerlig eller regelmessig. Hvis hendene eller fingrene er misfarget, eller hvis du kjenner smerte, kribling eller nummenhet, må du avbryte arbeidet og umiddelbart ta kontakt med en lege.

Generelle sikkerhetsinstruksjoner



ADVARSEL: Les de følgende advarslene før du bruker produktet.

- Bruk produktet riktig. Personskade eller død er mulige konsekvenser av feil bruk. Produktet må kun brukes til oppgaver angitt i denne bruksanvisningen. Ikke bruk produktet til andre oppgaver.
- Følg instruksjonene i denne bruksanvisningen. Følg symbolene og sikkerhetsinstruksjonene. Personskade, materiell skade eller død er mulige konsekvenser hvis brukeren ikke følger instruksene og symbolene.

- Ikke kast denne bruksanvisningen. Bruk instruksjonene for å montere, bruke og holde produktet i god stand. Følg instruksjonene for riktig montering av tilbehør og tilleggsutstyr. Bruk bare godkjent tilbehør og tilleggsutstyr.
- Ikke bruk et skadet produkt. Følg vedlikeholdsskjemaet. Utfør bare vedlikehold som du finner instruksjoner om i denne bruksanvisningen. Et godkjent servicesenter må gjøre alt annet vedlikeholdsarbeid.
- Denne bruksanvisningen kan ikke dekke alle situasjoner som kan oppstå når du bruker produktet. Vær forsiktig, og bruk sunn fornuft. Ikke bruk produktet eller utfør vedlikehold av produktet hvis du ikke føler deg trygg i situasjonen. Snakk med en produktpert, forhandleren, serviceverkstedet eller et godkjent servicesenter for mer informasjon.
- Koble fra tennpluggkabelen før du monterer produktet, setter produktet til oppbevaring eller utfører vedlikehold.
- Ikke bruk produktet hvis det er endret fra den opprinnelige spesifikasjonen. Ikke bytt en del av produktet uten godkjenning fra produsenten. Bruk bare deler som er godkjent av produsenten. Personskade eller død er mulige konsekvenser av feil vedlikehold.
- Ikke pust inn avgassene fra motoren. Langvarig innånding av motorens avgasser utgjør en helseisiko.
- Ikke start produktet innendørs eller i nærheten av brennbare materialer. Eksosen er varm og kan inneholde gnister som kan starte en brann. En utlirekkelig luftstrøm kan føre til personskade eller dødsfall på grunn av kveling eller karbonmonoksidforgiftning.
- Motoren genererer et elektromagnetisk felt når du bruker dette produktet. Det elektromagnetiske feltet kan føre til skader på medisinske implantater. Snakk med legen din og produsenten av det medisinske implantatet før du bruker produktet.
- Ikke la barn bruke produktet. Ikke la en person uten kunnskap om instruksjonene bruke produktet.
- Sørg for at du alltid overvåker personer med redusert fysisk eller mental kapasitet når de bruker produktet. En ansvarlig voksen må alltid være til stede.
- Lås inn produktet et sted som barn og uautoriserte personer ikke har tilgang til.
- Produktet kan kaste ut løse gjenstander og forårsake personskade. Følg instruksjonene for å redusere faren for personskade eller død.
- Ikke forlat produktet når motoren er på.
- Brukeren av produktet er ansvarlig hvis det skjer en ulykke.
- Pass på at delene ikke er skadet, før du bruker produktet.
- Kontroller at du er minst 15 m unna andre personer eller dyr før du bruker produktet. Pass på at

personer i nærheten vet at du kommer til å bruke produktet.

- Se nasjonale eller lokale lover. De kan forby eller begrense bruken av produktet under enkelte forhold.
- Ikke bruk produktet hvis du er trett eller påvirket av alkohol, andre rusmidler eller legemidler. Dette kan påvirke syn, oppmerksomhet, koordinasjon eller vurderingsevne.

Sikkerhetsinstruksjoner for montering



ADVARSEL: Les de følgende advarslene før du bruker produktet.

- Fjern tennpluggetten fra tennpluggen før du monterer produktet.
- Bruk godkjente vernehansker.
- Sørg for at du monterer dekslet og riggrøret på riktig måte før du starter motoren.
- Medbringerhjulet og støtteflensen må monteres riktig i senterhullet til skjæreutstyret. Skjæreutstyr som er festet feil, kan forårsake alvorlig skade eller dødsfall for brukeren eller andre.
- Produktet må alltid festes til selen på riktig måte for trygg bruk og for å forhindre skade på brukeren og andre personer.

Sikkerhetsinstruksjoner for drift



ADVARSEL: Les de følgende advarslene før du bruker produktet.

- Kontroller at produktet er ferdig montert før du bruker det.
- Flytt produktet 3 m unna stedet der du fylte drivstofftanken før du starter det. Plasser produktet på et flatt underlag. Pass på at skjæreutstyret ikke berører bakken eller andre gjenstander.
- Produktet kan kaste ut objekter, noe som kan føre til skader på øynene. Bruk alltid et godkjent øyevern når du bruker produktet.
- Vær forsiktig, et barn kan komme nær produktet under drift uten at du er klar over det.
- Bruk ikke produktet dersom det finnes andre personer i arbeidsområdet. Slå av produktet hvis en person går inn i arbeidsområdet.
- Pass på at du alltid har kontroll over produktet.
- Ikke bruk produktet hvis du ikke kan motta hjelp hvis det skjer en ulykke. Før du begynner å bruke produktet, må du alltid sørge for at andre vet at du skal bruke det.
- Ikke snu deg med produktet før du forsikrer deg om at ingen personer eller dyr er innenfor sikkerhetsområdet.
- Fjern alt uønsket materiale fra arbeidsområdet før du begynner. Hvis skjæreutstyret treffer et objekt, kan

objektet bli kastet ut og forårsake personskade eller materiell skade. Uønsket materiale kan tvinne seg rundt skjærestyret og forårsake skade.

- Ikke bruk produktet i dårlig vær (tåke, regn, sterk vind, ved fare for lyn eller annet uvær). Farlige forhold (for eksempel glatte overflater) kan oppstå på grunn av dårlig vær.
- Sørg for at du kan bevege deg fritt og arbeide i en stabil stilling.

(Fig. 18)

- Pass på at du ikke risikerer å falle når du bruker produktet. Ikke len deg til siden når du bruker produktet.
- Hold alltid produktet med to hender. Hold produktet på høyre side av kroppen.

(Fig. 19)

- Bruk produktet med skjærestyret under hofte høyde.
- Hvis chokehendelen står i choke-stilling når motoren starter, begynner skjærestyret å rotere.
- Ikke berør vinkelgiret rett etter at motoren har stoppet. Vinkelgiret er varmt etter at motoren har stoppet. Varme områder kan forårsake skader.
- Stopp motoren før du flytter produktet.
- Ikke legg produktet ned mens motoren er på.
- Før du fjerner uønsket materiale fra produktet, må du stoppe motoren og vente til skjærestyret stoppes. Vent til skjærestyret stopper før du eller andre fjerner avklipt materiale.

Personlig verneutstyr



ADVARSEL: Les de følgende advarslene før du bruker produktet.

- Bruk alltid egnet personlig verneutstyr når du bruker produktet. Det personlige verneutstyret fjerner ikke risikoen for skader. Det personlige verneutstyret reduserer skadeomfanget hvis det skjer en ulykke.
- Bruk alltid et godkjent øyevern når du bruker produktet.
- Ikke bruk produktet uten sko eller med åpne sko. Bruk alltid kraftige sklisikre støvler.
- Bruk tykke langbukser.
- Bruk godkjente vernehansker hvis det er nødvendig.
- Bruk hjelm hvis det er mulig at du får objekter i hodet.
- Bruk alltid godkjent hørselsvern når du bruker produktet. Støy over en lang periode kan forårsake støyrelatert hørselsskade.
- Sørg for at du har et førstehjelpssett i nærheten.

Sikkerhetsutstyr på produktet



ADVARSEL: Les de følgende advarslene før du bruker produktet.

- Ikke bruk produktet dersom sikkerhetsutstyret er defekt.
- Utfør regelmessig kontroll av sikkerhetsutstyret. Se *Produktoversikt på side 261*.
- Ta kontakt med din Husqvarna-serviceforhandler dersom sikkerhetsutstyret er defekt.

Gassregulatorsperre

Gassregulatorsperren låser gassregulatoren. (Fig. 20)

Skyv på gassregulatorsperren (A) for å løse gassregulatoren (B). Når du slipper håndtaket, vil både gassregulatorsperren og gassregulatoren gå tilbake til utgangsstillingene sine.

1. Kontroller at gassregulatoren (B) er låst på tomgang når du slipper gassregulatorsperren (A).
2. Skyv gassregulatorsperren (A), og kontroller at den går tilbake til utgangsstillingen når du slipper den.
3. Skyv gassregulatoren (B), og kontroller at den går tilbake til utgangsstillingen når du slipper den.

Start motoren, og gi deretter full gass. Slipp gassregulatoren, og undersøk om skjærestyret stanser. Hvis skjærestyret roterer når gassregulatoren står i tomgangsstilling, må du undersøke justeringskruen på forgasseren.

Stoppbryter

Start motoren. Forsikre deg om at motoren stopper når du flytter stoppbryteren til stoppstillingen.

(Fig. 21)

Vern for skjærestyret

Beskyttelsesskjermen for skjærestyret hindrer at løse objekter kastes ut mot brukeren.

(Fig. 22)

Kontroller beskyttelsesskjermen for skjærestyret for skade, og skift den hvis den er skadet. Bruk bare godkjent beskyttelsesskjerm for skjærestyret.

Lyddemper

- Ikke bruk en motor med defekt lyddemper. En defekt lyddemper øker lydnivået og brannfaren. Ha et brannslukningsapparat i nærheten.
- Kontroller regelmessig at lyddemperen er koblet til produktet.
- Ikke berør motoren eller lyddemperen når motoren er på. Ikke berør motoren eller lyddemperen på en stund etter at motoren har stoppet. Varme overflater kan forårsake personskade.
- En varm lyddemper kan forårsake brann. Vær forsiktig hvis du bruker produktet i nærheten av brennbare vesker eller damp.
- Ikke berør delene i lyddemperen hvis lyddemperen er skadet. Delene kan inneholde noen kreftframkallende kjemikalier.

Låsemutter

Låsemutteren brukes til å låse visse typer skjæreutstyr.

(Fig. 23)

Når du installerer låsemutteren, trekker du den til i motsatt retning av driftsretningen til skjæreutstyret.

Utløsermekanisme for selen



ADVARSEL: Ikke bruk selen hvis utløsermekanismen er defekt. Kontroller at utløsermekanismen for selen fungerer riktig når du juster produktet.

Utløsermekanismen for selen er foran på produktet. Selestroppene må alltid holde seg i korrekt posisjon. (Fig. 24)

I en nødsituasjon kan utløsermekanismen for selen hjelpe deg med å frigjøre deg trygt fra produktet.

Skjæreutstyr



ADVARSEL: Les de følgende advarslene før du bruker produktet.

- Utfør regelmessig vedlikehold. La et godkjent servicesenter undersøke skjæreutstyret regelmessig for å gjøre justeringer eller reparasjoner.
 - Ytelsen til skjæreutstyret øker.
 - Levetiden til skjæreutstyret øker.
 - Risikoen for ulykker reduseres.
- Bruk bare godkjent beskyttelsesskjerm for skjæreutstyr. Du finner mer informasjon under *Tilbehør på side 273*.
- Ikke bruk skadet skjæreutstyr.

Gressklinger og gresskniver

- Bruk produktet sammen med en godkjent gressklinge. Ikke bruk en gressklinge uten at alle de nødvendige delene er riktig installert. Kontroller at installasjonen er gjort riktig, og at riktige deler brukes. Uriktig installasjon kan føre til at klingene bli slynget ut og forårsaker alvorlige skader på brukeren eller tilskuere.
- Bruk vernehansker når du håndterer eller utfører vedlikehold på klingene.
- Bruk hørselsvern når du betjener et produkt med en gressklinge.
- Gressklinger og gresskniver er beregnet på bruk for rydding av grovere gress.
- En gressklinge kan forårsake personskader mens den fortsetter å rotere etter at motoren er stanset eller gasspaken slippes. Kontroller at gressklingen har sluttet helt å rotere før du utfører vedlikehold.
- Stans motoren før du foretar arbeid på skjæreutstyret. Pass på at skjæreutstyret stopper helt. Kople kabelen fra tennpluggen.

- Bruk bare godkjent skjæreutstyr eller en klinge som er filt riktig.
- Hold klingens tenner godt og korrekt filt. (Fig. 25)
- Ikke bruk skadet skjæreutstyr.
- Fest transportbeskyttelsen på gressklिंगene når du transporterer eller oppbevarer produktet.

Klinge kast

- Et klinge kast er en plutselig bevegelse av produktet til siden, forover eller bakover. Et klinge kast oppstår når gressklingen eller sagbladet treffer et objekt som ikke skal klippes. Risikoen for klinge kast øker i områder der det ikke er lett å se materialet som klippes.
- Når et klinge kast oppstår, er det en fare for at produktet eller brukeren beveger seg ut av stilling. En klinge som beveger seg kan treffe folk i nærheten, og det er en fare for skader.
- Hvis en klinge er bøyd, har sprekker, er skadet eller ødelagt, må du kaste klingene.
- Bruk en skarp klinge. Risikoen for klinge kast øker når en klinge ikke er skarp.

Drivstoffsikkerhet



ADVARSEL: Les de følgende advarslene før du bruker produktet.

- Ikke bland drivstoff innendørs eller i nærheten av en varmekilde.
- Ikke start produktet hvis det er drivstoff eller motorolje på produktet. Fjern uønsket drivstoff/olje, og la produktet tørke. Fjern uønsket drivstoff fra produktet.
- Skift klær umiddelbart hvis du søler drivstoff på klærne.
- Ikke få drivstoff på kroppen, det kan føre til personskade. Bruk såpe og vann for å fjerne drivstoff hvis du får drivstoff på kroppen.
- Ikke start motoren hvis du søler olje eller drivstoff på produktet eller på kroppen din.
- Ikke start produktet hvis motoren lekket. Kontroller motoren for lekkasjer med jevne mellomrom.
- Vær forsiktig med drivstoff. Drivstoff er brannfarlig, og avgassene er eksplosive og kan forårsake personskade eller død.
- Ikke pust inn bensindamp, det kan føre til personskade. Pass på at det er tilstrekkelig luftstrøm.
- Du må ikke røyke i nærheten av drivstoff eller motoren.
- Ikke sett varme gjenstander i nærheten av drivstoff eller motoren.
- Ikke fyll på drivstoff når motoren er på.
- Kontroller at motoren er avkjølt før du fyller på drivstoff.

- Åpne tanklokket sakte og slipp ut trykket forsiktig før du fyller.
- Ikke fyll drivstoff på motoren innendørs. En utilstrekkelig luftstrøm kan føre til personskade eller dødsfall på grunn av kveling eller karbonmonoksidforgiftning.
- Trekk til lokket på drivstofftanken forsiktig. Brann kan oppstå hvis du ikke gjør dette.
- Flytt produktet minst 3 m fra stedet du fylte tanken før du starter det.
- Ikke fyll for mye drivstoff på tanken.
- Kontroller at det ikke oppstår lekkasjer når du flytter produktet eller bensinkannen.
- Ikke plasser produktet eller en drivstoffbeholder i nærheten av åpen flamme, gnister eller pilotflamme. Pass på at det ikke er åpen flamme i oppbevaringsområdet.
- Bruk bare godkjente beholdere når du flytter drivstoff eller setter drivstoff til oppbevaring.
- Tøm drivstofftanken før lengre tids oppbevaring. Følg lokale lover om hvor du kan kassere drivstoff.
- Rengjør produktet før lengre tids oppbevaring.
- Fjern tennpluggkabelen før du setter produktet til oppbevaring for å sikre at motoren ikke starter ved et uhell.

Sikkerhetsinstruksjoner for vedlikehold



ADVARSEL: Les de følgende advarslene før du utfører vedlikehold på produktet.

- Utfør bare vedlikehold og service oppgitt i denne bruksanvisningen. La profesjonelt servicepersonell gjøre alt annet av service og reparasjoner.
- Gjennomfør regelmessig sikkerhetskontrollene og vedlikeholds- og serviceinstruksjonene oppgitt i denne bruksanvisningen. Regelmessig vedlikehold øker levetiden til produktet og reduserer risikoen for ulykker. Se *Vedlikeholdsskjema på side 269* for instruksjoner.
- Hvis sikkerhetskontrollene i denne brukerhåndboken ikke blir godkjent etter at du har utført vedlikehold, kan du snakke med serviceforhandleren din. Vi garanterer at fagmessig reparasjon og service er tilgjengelig for produktet.

Montering

Innledning



ADVARSEL: Før du monterer produktet, må du lese og forstå kapittelet om sikkerhet.



ADVARSEL: Fjern tennpluggkabelen fra tennpluggen før du monterer produktet.

Slik monterer du styret

1. Fjern skruen bak gasshåndtaket. (Fig. 26)
2. Flytt gasspaken til høyre siden av styret.
3. Juster hullet bak gasshåndtaket så det ligger over hullet i styret.
4. Sett inn skruene gjennom hullene. Trekk til skruen.
5. Monter håndtaket mellom pilene på riggrøret. Trekk til skruen. (Fig. 27)

Slik monterer du seleklemmen

1. Plasser seleklemmen på riggrøret med løkken til seleklemmen opp. Plasser seleklemmen over pilene på riggrøret.
2. Sett gassvaieren inn i det nedre sporet i seleklemmen.
3. Rett inn skruehullene i seleklemmen.

4. Sett to skruer inn i skruehullene.
5. Trekk til skruene.

Montere skjæreutstyret

Slik monterer du vernet for skjæreutstyret

1. Fest vernet for skjæreutstyret (A) til riggrøret. (Fig. 28)
2. Sett braketten (B) inn i sporet på vernet for skjæreutstyret.
3. Sett boltene (C) inn gjennom hullet på braketten til vernet for skjæreutstyret.

Slik monterer du gressklingen

1. Kontroller at vernet for skjæreutstyret (A) er festet til produktet. Se *Slik monterer du vernet for skjæreutstyret på side 266*. (Fig. 29)
2. Sett låsepinnen (B) inn i hullet slik at riggrøret låses.
3. Plasser klingene (E), støttekoppen (F) og støtteflensen (G) på den utgående akselen (D).
4. Kontroller at medbringerhjulene (C) monteres riktig i senterhullet på klingene. (Fig. 30)
5. Fest låsemutteren (H) på den utgående akselen. Hold skafet på kombinasjonsnøkkelen nær vernet for skjæreutstyret. Drei kombinasjonsnøkkelen mot urviseren for å stramme låsemutteren. Trekk til mutteren til 35–50 Nm / 26–36 ft/lb.
6. Fjern låsepinnen.

Slik monterer du trimmerhodet

1. Kontroller at vernet for skjæreutstyret (A) er festet til produktet. Se *Slik monterer du vernet for skjæreutstyret på side 266*. (Fig. 31)
2. Kontroller at medbringerhjulet (C) er festet til den utgående akselen (D).

3. Sett låsepinnen (B) inn i hullet slik at riggrøret låses.
4. Fest trimmerhodet (E) på den utgående akselen.
5. Drei trimmerhodet mot urviseren for å stramme det mot den utgående akselen. (Fig. 32)
6. Fjern låsepinnen.

Bruk

Innledning



ADVARSEL: Før du bruker produktet, må du lese og forstå kapittelet om sikkerhet.

Drivstoff

Dette produktet har en totaktsmotor.



OBS: Feil type drivstoff kan føre til skader på motoren. Bruk en blanding av bensin og totaktsolje.

Forhåndsblandet drivstoff

- Bruk Husqvarna forhåndsblandet alkylatdrivstoff av god kvalitet for å få best mulig ytelse og forlengelse av motorens levetid. Drivstoffet inneholder færre skadelige stoffer sammenlignet med vanlig drivstoff, noe som reduserer skadelige avgasser. Mengden rester etter forbrenning er lavere med dette drivstoffet, noe som holder motoren ren.

Slik blander du drivstoff

Bensin



OBS: Ikke bruk bensin med et oktantal som er mindre enn 90 RON (87 AKI). Dette kan skade produktet.



OBS: Ikke bruk bensin med mer enn 10 % etanolkonsentrasjon (E10). Dette kan skade produktet.

- Bruk alltid ny blyfri bensin med et minste oktantal på 90 RON (87 AKI) og med mindre enn 10 % etanolkonsentrasjon (E10).
- Bruk bensin med høyere oktantal hvis du ofte bruker produktet ved kontinuerlig høyt motorturtall.

Totaktsolje

- For å få best mulig resultat og ytelse bør du bruke Husqvarna-totaktsolje.
- Hvis det ikke er mulig å få tak i Husqvarna-totaktsolje, kan du bruke en totaktsolje av høy kvalitet for luftkjølte motorer. Snakk med serviceforhandleren din for å velge riktig olje.



OBS: Bruk ikke totaktsolje beregnet på vannkjølte påhengsmotorer, såkalt outboardoil. Ikke bruk olje for firetaktsmotorer.

Blande bensin og totaktsolje

Bensin, liter	Totaktsolje, liter
	2 % (50:1)
5	0,10
10	0,20
15	0,30
20	0,40



OBS: Små feil kan påvirke blandingsforholdet drastisk når du blander små mengder drivstoff. Mål oljemengden som skal blandes, svært nøyaktig for å sikre at du får riktig blandingsforhold.

(Fig. 33)

1. Fyll halve drivstoffmengden i en ren beholder for drivstoff.
2. Tilsett all oljen.
3. Rist drivstoffblandingen.
4. Fyll resten av bensinen på beholderen.
5. Rist drivstoffblandingen forsiktig.



OBS: Ikke bland drivstoff for mer enn én måned om gangen.

Fylle drivstoff

- Bruk alltid en drivstoffbeholder med overfyllingsbeskyttelse.
- Hvis det er drivstoffrester i beholderen, må du fjerne uønsket drivstoff og la kannen tørke.
- Pass på at området i nærheten av lokket på drivstofftanken er rent.
- Rist drivstoffbeholderen før du fyller drivstoff på tanken.

Gjøre en innkjøringskontroll

- I løpet av de første ti driftstimerne må du ikke gi full gass uten belastning over lengre perioder.

Starte og stoppe

Ting å undersøke før start

1. Kontroller at produktet ikke har manglende, skadde, løse eller slitte deler.
2. Kontroller at mutre, skruer og bolter er trukket til.
3. Kontroller at knivene og trimmerhodet ikke er skadet.
4. Kontroller at låsemutteren er trukket til. Se *Slik undersøker du låsemutteren på side 270*.
5. Kontroller at luftfilteret ikke er tett.
6. Kontroller at sikkerhetsstyret på produktet ikke er defekt.
7. Kontroller at produktet ikke har noen drivstofflekkasjer.

Slik justerer du selen



ADVARSEL: Produktet må alltid være riktig festet til selen. Ikke bruk en defekt sele.

1. Ta på deg selen.
2. Fest produktet til selen.
3. Juster selen for beste arbeidsstilling.
4. Juster sidestroppene slik at produktets vekt er jevnt fordelt mellom skuldrene dine. (Fig. 34)
5. Juster selen slik at skjæreutstyret er parallelt med bakken.
6. La skjæreutstyret hvile lett mot bakken. Juster seleklemmen for å balansere produktet riktig.

Merk: Hvis du bruker en gressklinge, må den være i balanse ca. 10 cm over bakken.

Slik starter du en kald motor

1. Trykk på pumpen ti ganger. (Fig. 35)
2. Trekk chokehendelen opp. (Fig. 36)
3. Hold produktet på bakken med venstre hånd. (Fig. 37) Ikke trakk på produktet. Trekk sakte i startsnoren til du kjenner litt motstand. Trekk deretter hardt i startsnoren.

Merk: Ikke trekk i gassregulatoren mens du starter motoren.

4. Fortsett å trekke i startsnoren til motoren starter eller prøver å starte (maks. tre trekk). Hvis motoren starter eller prøver å starte, trykker du chokehendelen ned. Fortsett å trekke til motoren starter. Vent 60 sekunder etter start før du trekker i gassregulatoren.



OBS: Du må ikke trekke i startsnoren før den stopper. Ikke slipp startsnoren når den er helt ute. Slipp startsnoren langsomt. Hvis du ikke følger disse instruksjonene, kan det føre til skade på motoren.

Starte en varm motor

1. Trykk på pumpen ti ganger.
2. Trekk i startsnoren til motoren starter.

Starte motoren når drivstoffet er for varmt

Hvis produktet ikke starter, kan drivstoffet bli for varmt.

Merk: Bruk alltid nytt drivstoff, og reduser driftstiden under varmt vær.

1. Plasser produktet på et kjølig sted vekk fra sollys.
2. La produktet avkjøles i minst 20 minutter.
3. Trykk på pumpen igjen og igjen i 10–15 sekunder.
4. Følg prosedyren for å starte en kald motor. Se *Slik starter du en kald motor på side 268*.

Stoppe

- Trykk på stoppbryteren for å stoppe motoren. (Fig. 21)

Merk: Stoppbryteren går automatisk tilbake til utgangsstillingen.

Betjene gresstrimmeren



OBS: Pass på at du setter motoren sakte ned til tomgangsturtall etter hver bruk. En lang periode med full gass uten belastning på motoren kan føre til skade på motoren.

Merk: Rengjør dekelet på trimmerhodet når du fester ny trimmertråd for å hindre vibrasjoner. Undersøk de andre delene av skjærehodet, og rengjør dem hvis det er nødvendig.

Trimme gress

1. Hold trimmerhodet like over bakken, og vipp det lett. Ikke skyv trimmertråden ned i gresset. (Fig. 38)
2. Reduser lengden på trimmertråden med 10–12 cm.
3. Reduser motorens turtall for å redusere faren for å skade planter.
4. Bruk 80 % gass når du klipper gresset i nærheten av objekter. (Fig. 39)

Klippe gresset

1. Sørg for at gresstrimmertråden er parallelt med bakken når du klipper gresset. (Fig. 40)

- Ikke dytt trimmerhodet ned i bakken. Dette kan skade produktet.
- Flytt produktet fra side til side når du klipper gresset. Gi full gass. (Fig. 41)

Fjerne gress med en gressklinge

- Gressklinger og gresskniver må ikke brukes på treaktige stammer.
- Til alle typer av høyt eller kraftig gress brukes gressklinge.
- Gresset meies ned med pendlende bevegelser til sidene, der bevegelse fra høyre til venstre er ryddemomentet og bevegelse fra venstre til høyre er returbevegelsen. La klingene arbeide med venstre side (mellom klokken 8 og 12).
- Hvis klingene vipper noe mot venstre ved gressrydding, samles gresset i en streng som gjør oppsamlingen lettere f.eks. ved raking.
- Forsøk å arbeide rytmisk. Stå støtt med føttene fra hverandre. Flytt deg forover etter returbevegelsen og still deg støtt igjen.
- La støttekoppen ligge lett an mot bakken. Den skal beskytte klingene mot å gå i bakken.
- Reduser faren for at materiale setter seg fast rundt klingene ved å alltid arbeide med full gass og unngå det nyklippede materialet under returbevegelsen.

- Stans motoren, løsne selen og plasser maskinen på bakken før du samler sammen det avvikrede materialet.

Gresstrimmerhode

- Pass på at du tviner gresstrimmertråden stramt og jevnt rundt trommelen for å redusere vibrasjon.
- Bruk bare godkjente gresstrimmerhoder og gresstrimmertråder. Se *Tilbehør på side 273*.
- Bruk riktig lengde på gresstrimmertråden. En lang gresstrimmertråd bruker mer motorkraft enn et kort gresstrimmertråd.
- Pass på at kapperen på beskyttelsesskjermen for skjæreutstyret ikke er skadet.
- Bløtlegg gresstrimmertråden i vann i to dager før du fester gresstrimmertråden til produktet. Dette øker levetiden til gresstrimmertråden.

Skifte trimmertråd

(Fig. 42)

(Fig. 43)

(Fig. 44)

(Fig. 45)

(Fig. 46)

(Fig. 47)

(Fig. 48)

(Fig. 49)

Vedlikehold

Innledning



ADVARSEL: Før du utfører vedlikeholdsarbeid, må du lese og forstå kapittelet om sikkerhet.

For all vedlikehold og reparasjonsarbeid på produktet er det nødvendig med spesiell opplæring. Vi garanterer fagmessig reparasjon og service. Hvis forhandleren ikke er et serviceverksted, må du snakke med dem for å få informasjon om nærmeste serviceverksted.

Vedlikeholdsskjema

Ukentlig ettersyn

- Rengjør de utvendige flatene.
- Kontroller at skjæreutstyret ikke er i bevegelse på tomgang. Se *Justere tomgangsturtallet på side 269*.
- Undersøk oljenivået i vinkelgirot. Se *Påføre fett på vinkelgirot på side 270*.
- Kontroller låsemutteren. Se *Slik undersøker du låsemutteren på side 270*.

Månedlig ettersyn

- Kontroller at startsnorhåndtaket og startsnoren ikke er skadet.

Årlig vedlikehold

- Kontroller tennpluggen. Se *Kontrollere tennpluggen på side 270*.
- Rengjør de utvendige flatene på forgasseren og tilstøtende områder.
- Rengjør kjølesystemet.
- Kontroller gnistfangerskjermen. Se *Utføre vedlikehold av gnistfangerskjermen på side 270*.
- Kontroller drivstoffilteret.
- Kontroller at drivstoffslangen ikke er skadet.
- Kontroller at kablene og koblingene på produktet ikke er skadet.

Justere tomgangsturtallet

- Kontroller at luftfilteret er rent og at luftfilterlokket er festet før du justerer tomgangsturtallet.
 - Juster tomgangsturtallet med tomgangsskruen, som er merket med «T».
 - Tomgangsturtallet er korrekt når motoren går jevnt i alle stillinger. Tomgangsturtallet må være lavere enn hastigheten når skjæreutstyret begynner å rotere.
- Vri tomgangsskruen med urviseren til skjæreutstyret begynner å rotere. (Fig. 50)
 - Vri tomgangsskruen mot urviseren til skjæreutstyret stanser.

Utføre vedlikehold av gnistfangerskjermen

Bruk en stålbørste for å rengjøre gnistfangerskjermen. (Fig. 51)

Rengjøre kjølesystemet

Rengjør delene til kjølesystemet med en børste.

(Fig. 52)

Kontrollere tennpluggen



OBS: Bruk anbefalt tennplugg. Pass på at den nye delen er av samme type som delen produsenten leverte. Feil tennplugg kan føre til skade på produktet.

1. Kontroller tennpluggen når
 - a) motoren har liten kraft
 - b) motoren ikke er lett å starte
 - c) motoren ikke fungerer korrekt på tomgang
2. Se etter uønsket materiale på tennpluggen hvis motoren ikke er lett å starte og bejlene. Reduserer risikoen for uønsket materiale på tennpluggenes elektroder:
 - a) Pass på at tomgangsturtallet er riktig justert.
 - b) Pass på at drivstoffblandingen er riktig.
 - c) Kontroller at luftfilteret er rent.
3. Rengjør tennpluggen hvis den er skitten. Kontroller at elektrodeavstanden er riktig. (Fig. 53)
4. Skift tennpluggen når det er nødvendig.

Utføre vedlikehold av luftfilteret

Rengjøre luftfilteret

1. Ta av luftfilterdekselet og fjern luftfilteret. (Fig. 54)
2. Rengjør luftfilteret med varmt såpevann. Sørg for at luftfilteret er tørt før du monterer det.
3. Skift luftfilteret hvis det er for skittent til å rengjøres ordentlig. Bytt alltid ut skadet luftfilter.
4. Påfør luftfilterolje hvis produktet har et luftfilter i skum. Påfør luftfilterolje bare på et skumfilter. Ikke påfør olje på et filfilter.

Påføre luftfilterolje på luftfilteret



OBS: Bruk alltid spesiell luftfilterolje på luftfiltre i skum. Ikke bruk andre typer olje.



ADVARSEL: Ikke få olje på kroppen din.

1. Ta av luftfilterdekselet og fjern luftfilteret. (Fig. 55)
2. Putt luftfilteret i en plastpose.
3. Putt luftfilteroljen i plastposen. (Fig. 56)
4. Dytt på plastposen for å sikre at oljen er likt fordelt over luftfilteret.
5. Trykk på luftfilteret, mens det er i posen, for å fjerne overflødig luftfilterolje. Fjern luftfilteret fra posen.
6. Monter luftfilteret.

Påføre fett på vinkelgiret

Kontroller at vinkelgiret er 3/4 fullt med vinkelgirfett.

(Fig. 57)

Slik undersøker du låsemutteren



OBS: Skift ut låsemutteren etter hver tiende gangs bruk.

1. Drei låsemutteren mot urviseren for å trekke til låsemutteren. Drei låsemutteren med urviseren for å løse låsemutteren. (Fig. 58)
2. Kontroller at du ikke kan dreie låsemutterens nylonlåsing med hendene. Nylonlåsingen må gi en motstand på minst 1,5 Nm / 1,1 ft/lb.
3. Trekk til låsemutteren med 35–50 Nm / 26–36 ft/lb hvis motstanden er under minimumsgrensen.



OBS: Hvis du trekker til låsemutteren for mye, kan dette føre til skade på gjengene.

Slik sliper du gresskniven og gressklingen



ADVARSEL: Stopp motoren. Bruk vernehansker.

- Les instruksjonene som fulgte med skjæreutstyret for å slippe gresskniven eller gressklingen på riktig måte.
- Slip alle kantene like mye for å beholde balansen.
- Bruk en enkelgradet flatfil. (Fig. 59)



ADVARSEL: Kast alltid en klinge som har blitt skadet. Ikke forsøk å rette opp en bøyd klinge og bruke den på nytt.

Feilsøking

Motoren starter ikke

Kontroll	Mulig årsak	Prosedyre
Stoppbryter.	Stoppbryteren er i stoppstillingen.	Still stoppbryteren i startstilling.
Starthaker.	Starthakene beveger seg ikke fritt.	Fjern starterdekselet, og rengjør rundt starthakene. Få hjelp fra et godkjent serviceverksted.
Drivstofftank.	Feil drivstofftype.	Tøm drivstofftanken, og fyll på med riktig drivstoff.
Tennplugg.	Tennpluggen er skitten eller våt.	Kontroller at tennpluggen er tør og ren.
	Tennpluggens elektrodeavstand er feil.	Rengjør tennpluggen. Kontroller at elektrodeavstanden er riktig. Kontroller at tennpluggen har støydemping. Se Tekniske data for riktig elektrodeavstand.
	Tennpluggen er løs.	Stram til tennpluggen.

Motoren starter, men stopper igjen

Kontroll	Mulig årsak	Prosedyre
Drivstofftank	Feil drivstofftype.	Tøm drivstofftanken, og fyll den med riktig drivstoff.
Luftfilter	Luftfilteret er tett.	Rengjør luftfilteret.

Transport, oppbevaring og avhending

Transport og oppbevaring

- La produktet avkjøles før transport eller oppbevaring.
 - Fjern tennpluggheften før lengre tids oppbevaring.
 - Fest produktet under transport. Kontroller at det ikke kan bevege seg.
 - Kontroller at det ikke er noen fare for drivstofflekkasjer, bensindamp, gnister eller flammer under transport og oppbevaring.
- Fest transportbeskyttelsen under transport og oppbevaring.
 - Rengjør og utfør vedlikehold av produktet før lengre tids oppbevaring.

Tekniske data

Tekniske data

	325R A05328CBHV
Motor	
Sylindervolum, cm ³	27,6
Tomgangsturtall, o/min	2800–3200
Anbefalt maks. turtall, o/min	8000
Effekt / maks. motoreffekt ifølge ISO 8893, kW/hk ved o/min	0,9/1,2 @ 8000
Katalysatorlyddemper	Ja
Turtall på utgående aksel, o/min	7200
Tenningsystem	
Tennplugg	Husqvarna HQT-4
Elektrodeavstand, mm	0,5
Drivstoffsystem	
Drivstofftankvolum, l/cm ³	0,343/343
Produktmål	
Vekt, kg	5,5
Støynivå⁵²	
Lydeffektnivå, målt, utstyrt med gressklinge, dB(A)	108
Lydeffektnivå, målt, utstyrt med trimmerhode, dB(A)	110
Lydeffektnivå, garantert (L _{WA}), utstyrt med gressklinge, dB(A)	112
Lydeffektnivå, garantert (L _{WA}), utstyrt med trimmerhode, dB(A)	114
Lydnivåer⁵³	
Lydtrykksnivå ved brukerens øre, utstyrt med gressklinge, dB(A)	96
Lydtrykksnivå ved brukerens øre, utstyrt med trimmerhode, dB(A)	95
Vibrasjonsnivåer⁵⁴	
Ekvivalent vibrasjonsnivå (ahv, eq), utstyrt med gressklinge, venstre håndtak, m/s ²	5,1

⁵² Utslipp av støy til omgivelsene målt som lydeffekt (L_{WA}) samsvarer med EF-direktiv 2000/14/EF. Rapporterte lydeffektnivåer for produktet er målt med det originale skjæreutstyret som gir høyest nivå. Forskjellen mellom garantert og målt lydeffekt er at garantert lydeffekt også omfatter spredning i måleresultatet og variasjoner mellom forskjellige produkter av samme modell, i henhold til direktivet 2000/14/EF.

⁵³ Rapporterte data for ekvivalent lydtryknivå for maskinen har en typisk statistisk spredning (standardavvik) på 1 dB(A).

⁵⁴ Rapporterte data for ekvivalent vibrasjonsnivå har en typisk statistisk spredning (standardavvik) på 1 m/s².

	325R A05328CBHV
Ekvivalent vibrasjonsnivå (ahv, eq), utstyrt med gressklinge, høyre håndtak, m/s ²	5,7
Ekvivalent vibrasjonsnivå (ahv, eq), utstyrt med trimmerhode, venstre håndtak, m/s ²	4,1
Ekvivalent vibrasjonsnivå (ahv, eq), utstyrt med trimmerhode, høyre håndtak, m/s ²	4,9

Tilbehør

Tilbehør

Godkjent tilbehør	Type	Vern for skjæreutstyr
Gjenget riggrør	M10L	
Trimmerhode	T35, 2,4 mm	588 11 79-01
Gressklinge	Gress 255-4, Ø 250	588 11 79-01

EF-samsvarserklæring

Innholdet i EF-samsvarserklæringen

Vi, Husqvarna AB, SE 561 82 Huskvarna, SVERIGE, erklærer under eneansvar at dette produktet:

Beskrivelse	Bensindrevet gresstrimmer/ryddesag
Merke	Husqvarna
Plattform/type/modell	Plattform A05328CBHV, som representerer modellen 325R
Parti	Serienummer datert 2018 og senere

fullstendig overholder følgende EU-direktiver og -forskrifter:

Direktiv/regulering	Beskrivelse
2006/42/EF	«angående maskiner»
2014/30/EU	«angående elektromagnetisk kompatibilitet»
2000/14/EF	«angående utendørsstøy»
2011/65/EU	«angående begrensning av bruken av bestemte farlige stoffer»

Harmoniserte standarder og/eller tekniske spesifikasjoner anvendt er som følger: EN ISO 12100, EN ISO 11806-1, CISPR 12, ISO 14982, EN 50581:2012.

I samsvar med direktivet 2000/14/EF, tillegg V står de oppgitte lydverdiene oppført i kapittelet om tekniske data i denne håndboken og i den signerte EF-samsvarserklæringen.

TÜV Rheinland N.A. har utført en frivillig typekontroll på vegne av Husqvarna AB, som bekrefter at en utstyrstype er i overensstemmelse med EF-direktiv 2006/42/EF om maskiner.

Sertifikatet, som følger med den signerte EF-samsvarserklæringen, gjelder for alle produksjonssteder og opprinnelsesland, slik det står oppgitt på produktet.

Medfølgende bensindrevet gresstrimmer/ryddesag er i samsvar med det eksemplaret som undergikk undersøkelsen.

SPIS TREŚCI

Wstęp.....	275	Rozwiązywanie problemów.....	286
Bezpieczeństwo.....	276	Transport, przechowywanie i utylizacja.....	287
Montaż.....	281	Dane techniczne.....	287
Obsługa.....	281	Akcesoria.....	288
Konserwacja.....	284	Deklaracja zgodności WE.....	289

Wstęp

Instrukcja obsługi

Oryginalnym językiem niniejszej instrukcji obsługi jest angielski. Instrukcje obsługi w innych językach są tłumaczone z angielskiego.

Przeznaczenie

Produktu należy używać wraz z tarczą tnącą do trawy lub głowicą żyłkową do ścinania różnego rodzaju roślin.

Przegląd produktu

(Rys. 1)

1. Głowica żyłkowa
2. Korek wlewu smaru
3. Przekładnia zębata stożkowa
4. Osłona osprzętu tnącego
5. Wałek
6. Wyłącznik
7. Spust przepustnicy
8. Blokada wyzwalania przepustnicy
9. Uchwyt sterowniczy
10. Klamra szelek
11. Obudowa rozrusznika
12. Nasadka świecy, świeca zapłonowa
13. Rączka linki rozrusznika
14. Zbiornik paliwa
15. Pokrywa filtra powietrza
16. Pompka zastrzykowa
17. Dźwignia ssania
18. Regulacja uchwytu
19. Przewód przepustnicy
20. Przycisk szybkiego biegu jałowego
21. Wiązka przewodów
22. Klucz dwustronny
23. Instrukcja obsługi
24. Osłona transportowa
25. Ostrze
26. Talerz dystansowy
27. Kołnierz oporowy
28. Przeciwnakrętka

Uwaga: Przepisy krajowe mogą ograniczać możliwość użycia tego produktu.

29. Pierścień sprzęgający

30. Kołek blokujący

31. Klucz sześciokątny

Symbole znajdujące się na produkcie

(Rys. 2) **OSTRZEŻENIE!** Ten produkt może być niebezpieczny. W następstwie nieuważnej lub nieprawidłowej obsługi może dojść do obrażeń ciała lub śmierci operatora bądź innych osób. Aby zapobiec obrażeniom ciała u operatora oraz osób postronnych należy przeczytać i przestrzegać wszystkich zaleceń zawartych w niniejszej instrukcji obsługi.

(Rys. 3) Przed przystąpieniem do pracy prosimy dokładnie i ze zrozumieniem zapoznać się z treścią niniejszej instrukcji obsługi.

(Rys. 4) Stosować kask ochronny w miejscach zagrożonych spadającymi obiektami. Stosować atestowane środki ochrony słuchu. Stosować atestowane środki ochrony oczu.

(Rys. 5) Stosować rękawice ochronne.

(Rys. 6) Nosić wytrzymałe buty z podeszwami zapobiegającymi poślizgnięciu.

(Rys. 7) Strzałki wskazują ograniczenia pozycji uchwytu.

- (Rys. 8) Należy pamiętać o niebezpieczeństwie wyrzucania cząstek ciał stałych, które mogą spowodować obrażenia ciała.
- (Rys. 9) Maksymalna prędkość wałka zdawczego.
- (Rys. 10) Podczas korzystania z produktu należy zachować minimalną odległość 15 m / 50 stóp od innych osób lub zwierząt.
- (Rys. 11) Ryzyko niekontrolowanych ruchów noża, jeżeli osprzęt tnący dotknie przedmiotu, który nie zostanie natychmiastowo odcięty. Produkt może odciąć części ciała. Podczas korzystania z produktu należy zachować minimalną odległość 15 m / 50 stóp od innych osób lub zwierząt.
- (Rys. 12) Pompka zastrzykowa.
- (Rys. 13) Ssanie.
- (Rys. 14) Trzymaj wszystkie części ciała z dala od powierzchni gorących.
- (Rys. 15) Emisja hałasu do otoczenia zgodna z dyrektywą Wspólnoty Europejskiej. Informacje dotyczące hałasu emitowanego przez urządzenie znajdują się w rozdziale „Dane techniczne” oraz na etykiecie.
- (Rys. 16) Maszyna jest zgodna z odpowiednimi dyrektywami Komisji Europejskiej.
- (Rys. 17) Maszyna jest zgodna z odpowiednimi dyrektywami EAC.

Tabliczka znamionowa z numerem serijnym.

yyyy oznacza rok produkcji, **ww** oznacza tydzień produkcji, a **xxxxx** to numer serijny.

yyyywwxxxxx

Uwaga: Pozostałe symbole/naklejki samoprzylepne umieszczone na produkcie dotyczą wymogów związanych z certyfikatami w innych obszarach komercyjnych.

Odpowiedzialność za produkt

Zgodnie z przepisami dotyczącymi odpowiedzialności za produkt nie ponosimy odpowiedzialności za szkody spowodowane przez nasz produkt, jeśli:

- produkt jest nieprawidłowo naprawiany.
- produkt jest naprawiany przy użyciu części nie pochodzących od producenta lub niezatwierdzonych przez producenta.
- produkt jest wyposażony w akcesoria nie pochodzące od producenta lub niezatwierdzone przez producenta.
- produkt nie jest naprawiany w autoryzowanym centrum serwisowym lub przez autoryzowaną placówkę.

UE V



OSTRZEŻENIE: Ingerencja w silnik powoduje unieważnienie europejskiego zatwierdzenia typu produktu.

Bezpieczeństwo

Definicje dotyczące bezpieczeństwa

Ostrzeżenia, uwagi i informacje są używane do zwrócenia uwagi na szczególnie ważne sekcje instrukcji obsługi.



OSTRZEŻENIE: Stosuje się, gdy istnieje ryzyko poważnych obrażeń lub śmierci operatora albo osób postronnych w wyniku nieprzestrzegania instrukcji obsługi.



UWAGA: Stosuje się, gdy istnieje ryzyko uszkodzenia produktu, innych materiałów lub otoczenia w wyniku nieprzestrzegania instrukcji obsługi.

Uwaga: stosuje się, aby przekazać więcej informacji, które są przydatne w danej sytuacji.

Zasady bezpieczeństwa związane z emisją drgań

Ten produkt jest przeznaczony tylko do sporadycznego użytkowania. Ciągłe lub regularne użytkowanie produktu może prowadzić do choroby zwanej „białymi palcami” lub podobnych problemów medycznych wynikających z drgań. Sprawdzić stan dłoni i palców w przypadku ciągłego lub regularnego użytkowania produktu. W przypadku odbarwienia dłoni lub palców, bólu, mrowienia lub braku czucia należy wstrzymać pracę i natychmiast skonsultować się z lekarzem.

Ogólne zasady bezpieczeństwa



OSTRZEŻENIE: Przed rozpoczęciem użytkowania produktu przeczytać następujące ostrzeżenia.

- Należy prawidłowo używać maszyny. Nieprawidłowe używanie grozi obrażeniami lub śmiercią. Maszyny należy używać wyłącznie do zadań opisanych w niniejszej instrukcji. Nie używać produktu do innych zadań.
- Przestrzegać informacji zawartych w niniejszej instrukcji. Stosować się do symboli i zasad bezpieczeństwa. W przypadku nieprzestrzegania instrukcji i symboli istnieje ryzyko wystąpienia obrażeń, uszkodzeń lub śmierci.
- Nie wolno wyrzucać tej instrukcji. Należy stosować się do instrukcji montażu, obsługi i konserwacji produktu. Należy stosować się do instrukcji montażu osprzętu i akcesoriów. Stosować wyłącznie zatwierdzony osprzęt i akcesoria.
- Nie wolno używać uszkodzonego produktu. Przestrzegać planu konserwacji. Przeprowadzać wyłącznie te prace konserwacyjne, które są opisane w tej instrukcji. Wszystkie inne prace konserwacyjne muszą być wykonywane przez autoryzowane centrum serwisowe.
- Niniejsza instrukcja nie obejmuje wszystkich sytuacji, które mogą wystąpić podczas używania produktu. Należy zachować ostrożność i kierować się zdrowym rozsądkiem. Nie wolno obsługiwać produktu lub wykonywać prac konserwacyjnych w przypadku braku pewności co do danej sytuacji. Skontaktować się ze specjalistą ds. produktu, dealerem, warsztatem obsługi technicznej lub autoryzowanym centrum serwisowym w celu uzyskania informacji.
- Przed przystąpieniem do montażu lub konserwacji oraz na czas długiego przechowywania maszyny odłączyć świecę zapłonową.
- Nie używać produktu w przypadku zmiany jego początkowych specyfikacji. Nie wymieniać części maszyny bez zgody producenta. Używać wyłącznie części zatwierdzonych przez producenta. Nieprawidłowa konserwacja może doprowadzić do obrażeń lub śmierci.
- Nie wdychać spalin z silnika. Długotwałe wdychanie spalin silnika stanowi zagrożenie dla zdrowia.
- Nigdy nie włączać urządzenia w pomieszczeniach zamkniętych lub w pobliżu materiałów łatwopalnych. Spaliny mają wysoką temperaturę, a ponadto mogą wraz z nimi wydostawać się iskry, dlatego stanowią zagrożenie pożarowe. Niewystarczający przepływ powietrza może doprowadzić do obrażeń lub śmierci na skutek uduszenia lub zatrucia tlenkiem węgla.
- Podczas używania maszyny silnik wytwarza pole elektromagnetyczne. Może ono spowodować uszkodzenie implantów medycznych. Przed użyciem produktu należy skontaktować się z lekarzem oraz producentem implantu medycznego.
- Nie pozwalać dzieciom używać maszyny. Nie pozwalać osobom nieznającym instrukcji na korzystanie z produktu.
- Należy zawsze kontrolować osobę o ograniczonych możliwościach fizycznych lub umysłowych podczas używania produktu. Zawsze musi jej towarzyszyć odpowiedzialna osoba dorosła.
- Przechowywać maszynę w miejscu niedostępnym dla dzieci i nieuprawnionych osób.
- Maszyna może wyrzucać przedmioty i powodować obrażenia. Należy przestrzegać zasad bezpieczeństwa, aby zmniejszyć ryzyko odniesienia obrażeń lub śmierci.
- Nie odchodzić od maszyny podczas pracy silnika.
- Operator maszyny jest odpowiedzialny za ewentualne wypadki.
- Przed przystąpieniem do używania produktu upewnić się, że części nie są uszkodzone.
- Zachować odległość co najmniej 15 m (50 stóp) od innych osób lub zwierząt przed przystąpieniem do używania maszyny. Powiadomić osoby przebywające w pobliżu o zamiarze używania maszyny.
- Stosować się do przepisów krajowych lub lokalnych. Mogą one zabraniać lub ograniczać używanie produktu w niektórych sytuacjach.
- Osoba, która jest zmęczona lub pod wpływem alkoholu, narkotyków lub leków nie może obsługiwać urządzenia. Wymienione substancje mogą negatywnie wpływać na wzrok, zdolność oceny sytuacji i panowanie nad wykonywanymi ruchami.

Instrukcje bezpieczeństwa dotyczące montażu



OSTRZEŻENIE: Przed rozpoczęciem użytkowania produktu przeczytać następujące ostrzeżenia.

- Przed rozpoczęciem montażu produktu odłączyć fajkę świecy zapłonowej od świecy zapłonowej.
- Stosować rękawice ochronne.
- Przed uruchomieniem silnika upewnić się, że osłona i wałek są zamontowane prawidłowo.
- Pierścien sprzęgający i kołnierz oporowy muszą być prawidłowo umieszczone w środkowym otworze

osprzętu tnącego. Nieprawidłowo zamocowany osprzęt tnący może spowodować poważne obrażenia ciała bądź śmierć operatora lub innych osób.

- Aby bezpiecznie używać produktu i zapobiegać obrażeniom ciała operatora lub innych osób, produkt musi być zawsze prawidłowo zamocowany do szelek.

Instrukcje bezpieczeństwa dotyczące obsługi



OSTRZEŻENIE: Przed rozpoczęciem użytkowania produktu przeczytać następujące ostrzeżenia.

- Przed przystąpieniem do używania produktu upewnić się, że jest on w pełni zmontowany.
- Przed uruchomieniem odsunąć się na odległość 3 m / 10 stóp od miejsca napełniania zbiornika paliwa. Umieścić maszynę na płaskiej powierzchni. Upewnić się, że osprzęt tnący nie dotyka podłoża lub innego przedmiotu.
- Należy pamiętać o niebezpieczeństwie wyrzucania przedmiotów, które mogą spowodować uszkodzenie wzroku. Podczas używania maszyny zawsze stosować zatwierdzoną osłonę oczu.
- Należy zachować ostrożność, ponieważ dziecko może niezauważenie podejść w pobliże urządzenia podczas jego pracy.
- Nie używać maszyny, jeśli w obszarze pracy znajdują się osoby trzecie. Zatrzymać maszynę, jeśli inna osoba znajdzie się w obszarze pracy.
- Zawsze należy zapewniać kontrolę nad maszyną.
- Nie używać maszyny, jeśli otrzymanie pomocy w razie wypadku będzie niemożliwe. Przed przystąpieniem do używania maszyny należy zawsze poinformować wszystkich o zamiarze rozpoczęcia pracy.
- Przed obróceniem się z maszyną należy upewnić się, że wszystkie osoby i zwierzęta znajdują się w bezpiecznym obszarze.
- Przed rozpoczęciem pracy usunąć wszystkie niechciane materiały z obszaru pracy. Jeśli osprzęt tnący zderzy się z jakimś przedmiotem, przedmiot ten może zostać wyrzucony i spowodować obrażenia lub straty materialne. Niechciane materiały mogą owinąć się wokół osprzętu tnącego i spowodować uszkodzenia.
- Nie należy używać produktu przy złej pogodzie (we mgle, w deszczu, przy silnym wietrze, gdy istnieje prawdopodobieństwo wystąpienia burzy lub innych niekorzystnych zjawisk atmosferycznych). Niebezpieczne sytuacje (np. śliska powierzchnia) mogą być spowodowane złą pogodą.
- Należy zapewnić sobie możliwość swobodnego poruszania i pracy w stabilnej pozycji.

(Rys. 18)

- Należy zabezpieczyć się przed upadkiem podczas używania produktu. Nie pochylać się podczas używania produktu.
- Zawsze należy trzymać maszynę dwiema rękami. Trzymać produkt po prawej stronie tułowia.

(Rys. 19)

- Obsługiwać urządzenie z osprzętem tnącym poniżej pasa.
- Jeśli dźwignia ssania znajduje się w położeniu ssania w momencie uruchomienia silnika, osprzęt tnący zaczyna się obracać.
- Nie dotykać przekładni zębatej stożkowej po zatrzymaniu silnika. Przekładnia zębata stożkowa może być gorąca. Dotknięcie gorącego obszaru może spowodować obrażenia.
- Wyłączyć silnik przed przemieszczeniem maszyny.
- Nie odkładać maszyny podczas pracy silnika.
- Przed usunięciem niechcianych materiałów z maszyny zatrzymać silnik i poczekać na zatrzymanie osprzętu tnącego. Poczekać na zatrzymanie osprzętu tnącego przed usunięciem ciężego materiału.

Środki ochrony osobistej



OSTRZEŻENIE: Przed rozpoczęciem użytkowania produktu przeczytać następujące ostrzeżenia.

- Zawsze należy stosować prawidłowe środki ochrony osobistej podczas używania produktu. Środki ochrony osobistej nie eliminują ryzyka odniesienia obrażeń. Środki ochrony osobistej zmniejszają powagę obrażeń w razie wystąpienia wypadku.
- Podczas używania produktu zawsze stosować zatwierdzoną osłonę oczu.
- Nie obsługiwać produktu boso lub w otwartym obuwiu. Zawsze nosić wytrzymałe buty z podeszwami zapobiegającymi poślizgnięciu.
- Stosować wytrzymałe, długie spodnie.
- Jeśli to konieczne, nosić zatwierdzone rękawice ochronne.
- Stosować kask, jeśli istnieje ryzyko spadnięcia przedmiotów na głowę.
- Podczas używania produktu zawsze stosować zatwierdzone środki ochrony słuchu. Narażenie na działanie hałasu przez długi czas może spowodować utratę słuchu.
- Należy zadbać o dostępność zestawu pierwszej pomocy.

Zespoły zabezpieczające na urządzeniu



OSTRZEŻENIE: Przed rozpoczęciem użytkowania produktu przeczytać następujące ostrzeżenia.

- Nie należy używać maszyny z uszkodzonymi urządzeniami zabezpieczającymi.

- Regularnie przeprowadzać kontrole urządzeń zabezpieczających. Patrz *Przegląd produktu na stronie 275*.
- Jeśli urządzenia zabezpieczające są uszkodzone, skontaktować się z warsztatem obsługi technicznej Husqvarna.

Blokada wyzwalania przepustnicy

Blokada wyzwalania przepustnicy służy do blokady manetki gazu.

(Rys. 20)

Nacisnąć blokadę wyzwalania przepustnicy (A), aby zwolnić manetkę gazu (B). Gdy uchwyt zostanie zwolniony, blokada wyzwalania przepustnicy i manetka gazu powracają do pierwotnego położenia.

1. Manetka gazu (B) musi być zablokowana w położeniu biegu jałowego na czas zwalniania blokady wyzwalania przepustnicy (A).
2. Nacisnąć blokadę wyzwalania przepustnicy (A) i sprawdzić, czy po zwolnieniu powraca ona do pierwotnego położenia.
3. Nacisnąć manetkę gazu (B) i sprawdzić, czy po zwolnieniu powraca ona do pierwotnego położenia.

Uruchomić silnik i nacisnąć manetkę do oporu. Zwolnić manetkę gazu i sprawdzić, czy osprzęt tnący zatrzymuje się. Jeśli osprzęt tnący obraca się przy przepustnicy w położeniu biegu jałowego, sprawdzić śrubę regulacji obrotów biegu jałowego gaźnika.

Wyłącznik

Uruchomić silnik. Sprawdzić, czy silnik wyłącza się po przestawieniu wyłącznika do pozycji zatrzymania.

(Rys. 21)

Oslona osprzętu tnącego

Oslona osprzętu tnącego zapobiega odrzuceniu luźnego przedmiotu w kierunku operatora.

(Rys. 22)

Sprawdzić osłonę osprzętu tnącego pod kątem uszkodzeń i w razie potrzeby wymienić ją. Używać wyłącznie zatwierdzonej osłony osprzętu tnącego.

Tłumik

- Nie używać silnika z uszkodzonym tłumikiem. Uszkodzony tłumik zwiększa poziom hałasu i ryzyko pożaru. Przechowywać gaśnicę w pobliżu.
- Regularnie sprawdzać, czy tłumik jest przymocowany do maszyny.
- Nie dotykać silnika ani tłumika podczas pracy silnika. Nie dotykać silnika ani tłumika przez pewien czas po zatrzymaniu silnika. Dotknięcie gorącej powierzchni może spowodować obrażenia.
- Gorący tłumik może wywołać pożar. Należy zachować ostrożność w przypadku używania produktu w pobliżu łatwopalnych cieczy lub oparów.

- Nie dotykać części tłumika, jeśli jest on uszkodzony. Części mogą zawierać rakotwórcze środki chemiczne.

Przeciwnakrętka

Do zamocowania niektórych typów osprzętu tnącego używa się przeciwnakrętki.

(Rys. 23)

Podczas montażu przeciwnakrętki należy dokręcić ją mocno w kierunku przeciwnym do kierunku pracy osprzętu tnącego.

Funkcja zwalniania szelek



OSTRZEŻENIE: Nie należy używać szelek, jeśli funkcja zwalniania jest niesprawna. Upewnić się, że funkcja zwalniania szelek działa prawidłowo podczas regulacji urządzenia.

Funkcja zwalniania szelek jest dostępna z przodu urządzenia. Paski szelek powinny zawsze pozostać w prawidłowym położeniu.

(Rys. 24)

W sytuacji awaryjnej funkcja zwalniania szelek pozwala na szybkie zdjęcie urządzenia.

Osprzęt tnący



OSTRZEŻENIE: Przed rozpoczęciem użytkowania produktu przeczytać następujące ostrzeżenia.

- Wykonywać regularne prace konserwacyjne. Autoryzowane centrum serwisowe powinno regularnie sprawdzać osprzęt tnący w celu przeprowadzenia regulacji lub napraw.
 - Wzrasta wydajność osprzętu tnącego.
 - Wydłuża się żywotność osprzętu tnącego.
 - Zmniejsza się ryzyko wypadków.
- Używać wyłącznie zatwierdzonej osłony osprzętu tnącego. Więcej informacji znajduje się w rozdziale *Akcesoria na stronie 288*.
- Nie wolno używać uszkodzonego osprzętu tnącego.

Tarcza tnąca do trawy i noże do trawy

- Korzystać z urządzenia z zatwierdzoną tarczą tnącą do trawy. Nie używać tarczy tnącej do trawy bez prawidłowego montażu wszystkich wymaganych części. Upewnić się, że montaż został wykonany prawidłowo oraz że użyto prawidłowych części. Nieprawidłowy montaż może spowodować odpadnięcie tarczy i skutkować poważnymi obrażeniami operatora lub osób postronnych.
- Podczas obsługi i konserwacji tarczy należy używać rękawic ochronnych.
- Podczas korzystania z urządzenia z tarczą tnącą do trawy należy stosować środki ochrony głowy.

- Tarcze tnące do trawy i noże do trawy przeznaczone są do koszenia twardej trawy.
- Tarcza tnąca do trawy może spowodować obrażenia, jeśli obraca się po zatrzymaniu silnika lub zwolnieniu manetki gazu. Przed przystąpieniem do konserwacji należy poczekać, aż tarcza całkowicie przestanie się obracać.
- Wylądzać silnik przed przystąpieniem do pracy z osprzętem tnącym. Poczekać na całkowite zatrzymanie osprzętu tnącego. Zdejmij przewód ze świecy zapłonowej.
- Należy korzystać wyłącznie z zatwierdzonego osprzętu tnącego lub prawidłowo naostrzonej tarczy.
- Zęby tnące ostrza powinny być odpowiednio naostrzone.

(Rys. 25)

- Nie wolno używać uszkodzonego osprzętu tnącego.
- Na czas transportu przymocować osłonę transportową do tarczy tnącej do trawy.

Odbicie tarczy

- Odbicie tarczy to gwałtowny ruch urządzenia w bok, do przodu lub do tyłu. Odbicie tarczy następuje, kiedy tarcza tnąca do trawy lub tarcza tnąca uderzy w przedmiot, którego nie można przeciąć. Ryzyko odbicia tarczy wzrasta w obszarach, w których nie można zobaczyć ciętego materiału.
- W przypadku wystąpienia odbicia tarczy istnieje ryzyko przesunięcia urządzenia lub operatora. Odbita tarcza może uderzyć osoby znajdujące się w pobliżu, stwarzając zagrożenie.
- Jeśli tarcza jest wygięta, popękana, uszkodzona lub zniszczona, należy ją wyrzucić.
- Należy używać ostrej tarczy tnącej. Ryzyko odbicia tarczy wzrasta, gdy tarcza nie jest ostra.

Zasady bezpieczeństwa dotyczące paliwa



OSTRZEŻENIE: Przed rozpoczęciem użytkowania produktu przeczytać następujące ostrzeżenia.

- Nie mieszać paliwa wewnątrz pomieszczeń ani w pobliżu źródła ciepła.
- Nie uruchamiać produktu, jeśli znajduje się na nim paliwo lub olej silnikowy. Usunąć zabrudzenia paliwem/olejem i odczekać, aż produkt wyschnie. Usunąć niepożądane paliwo z produktu.
- W przypadku rozlania paliwa na ubranie należy je natychmiast zmienić.
- Nie dopuścić do kontaktu paliwa z ciałem, ponieważ może to spowodować obrażenia. Jeśli dojdzie do kontaktu paliwa z ciałem, zmyć paliwo używając wody z mydłem.
- Nie uruchamiać silnika, jeśli doszło do rozlania paliwa lub oleju na maszynę lub na ciało.
- Nie uruchamiać maszyny, jeśli silnik jest nieszczelny. Regularnie sprawdzać silnik pod kątem nieszczelności.

- Zachować ostrożność przy pracy z paliwem. Paliwo jest łatwopalne, a jego opary mogą wybuchnąć, powodując obrażenia lub śmierć.
- Nie wdychać oparów paliwa, ponieważ może to być groźne dla zdrowia lub życia. Zapewnić odpowiednią wentylację.
- Nie palić tytoniu w pobliżu paliwa lub silnika.
- Nie umieszczać gorących przedmiotów w pobliżu paliwa lub silnika.
- Nie dolewać paliwa podczas pracy silnika.
- Przed tankowaniem upewnić się, że silnik jest zimny.
- Przed tankowaniem pomału odkręcić korek zbiornika paliwa i ostrożnie zwolnić ciśnienie.
- Nie dolewać paliwa do silnika w zamkniętym pomieszczeniu. Niewystarczający przepływ powietrza może doprowadzić do obrażeń lub śmierci na skutek uduszenia lub zatrucia tlenkiem węgla.
- Dokładnie dokręcić korek zbiornika paliwa, aby nie dopuścić do pożaru.
- Przed uruchomieniem przesunąć produkt o co najmniej 3 m (10 stóp) od miejsca, w którym było dolewane paliwo.
- Nie wlewać zbyt dużo paliwa do zbiornika.
- Podczas ruchu produktu lub pojemnika na paliwo istnieje niebezpieczeństwo wycieku paliwa. Podjąć odpowiednie działania, aby nie dopuścić do wycieku.
- Nie umieszczać produktu lub pojemnika na paliwo w pobliżu otwartego płomienia, iskry lub płomienia zapłonowego. Należy upewnić się, że w miejscu przechowywania nie ma źródła otwartego płomienia.
- Do transportu i przechowywania paliwa należy używać wyłącznie zatwierdzonych zbiorników.
- Opróżnić zbiornika paliwa przed długim przechowywaniem. Przestrzegać lokalnych przepisów dotyczących utylizacji paliwa.
- Wyczyścić maszynę przed długim przechowywaniem.
- Odłączyć przewód świecy zapłonowej przed przechowywaniem produktu, aby uniemożliwić przypadkowe uruchomienie silnika.

Instrukcje bezpieczeństwa dotyczące konserwacji



OSTRZEŻENIE: Przed rozpoczęciem prac konserwacyjnych produktu przeczytać następujące ostrzeżenia.

- Wykonywać tylko czynności konserwacyjne i serwisowe opisane w niniejszej instrukcji obsługi. Wszelkie inne czynności serwisowe i naprawy powinni wykonywać pracownicy serwisu.
- Regularnie wykonywać kontrole bezpieczeństwa, czynności konserwacyjne oraz instrukcje serwisowe podane w niniejszej instrukcji. Regularna konserwacja zwiększa trwałość produktu i zmniejsza ryzyko wypadków. Aby uzyskać odpowiednie instrukcje — patrz *Plan konserwacji na stronie 284*.

- Jeśli kontrole bezpieczeństwa opisane w tej instrukcji obsługi nie zostały zatwierdzone po wykonaniu czynności konserwacyjnych, należy

skontaktować się z punktem serwisowym. Gwarantujemy profesjonalne naprawy i serwisowanie produktu.

Montaż

Wstęp



OSTRZEŻENIE: Przed złożeniem produktu należy przeczytać ze zrozumieniem rozdział poświęcony bezpieczeństwu.



OSTRZEŻENIE: Przed rozpoczęciem montażu produktu odłączyć przewód świecy zapłonowej od świecy zapłonowej.

Montaż uchwytu sterowniczego

1. Wykręcić śrubę za dźwignią gazu. (Rys. 26)
2. Przesunąć dźwignię gazu na prawą stronę uchwytu sterowniczego.
3. Dopasować otwór za dźwignią gazu do otworu na uchwycie sterowniczym.
4. Wsunąć śrubę przez otwory. Dokręć śrubę.
5. Zamontować uchwyt sterowniczy pomiędzy strzałkami na wałku. Dokręć śrubę. (Rys. 27)

Montaż klamry szelek

1. Założyć klamrę szelek na wałku z pętla klamry skierowaną do góry. Umieścić klamrę szelek powyżej strzałek na wałku.
2. Umieścić linkę przepustnicy w rowku klamry szelek na dole.
3. Wyrównać otwory na śruby klamry szelek.
4. Włożyć 2 śruby w otwory.
5. Dokręcić śruby.

Montaż osprzętu tnącego

Montaż osłony osprzętu tnącego

1. Umieścić osłonę osprzętu tnącego (A) na wałku. (Rys. 28)

2. Umieścić wspornik (B) w szczelinie na osłonie osprzętu tnącego.
3. Wkręcić śrubę (C) przez otwór we wsporniku do osłony osprzętu tnącego.

Montaż tarczy tnącej do trawy

1. Upewnić się, że osłona osprzętu tnącego (A) jest przymocowana do produktu. Patrz *Montaż osłony osprzętu tnącego na stronie 281*. (Rys. 29)
2. Umieścić kolek blokujący (C) w otworze, aby zablokować wałek.
3. Założyć tarczę (E), talerz dystansowy (F) oraz kołnierz oporowy (G) na wałek zdawczy (D).
4. Upewnić się, że tarcza zabierakowa (C) weszła prawidłowo w otwór środkowy tarczy. (Rys. 30)
5. Umieścić przeciwnakrętkę (H) na wałku zdawczym. Trzymać uchwyt klucza możliwie blisko osłony osprzętu tnącego. Obrócić klucz w lewo, aby dokręcić przeciwnakrętkę. Dokręcić przeciwnakrętkę momentem 35–50 Nm / 26–36 ft/lb.
6. Wyjąć kolek blokujący.

Montaż głowicy żyłkowej

1. Upewnić się, że osłona osprzętu tnącego (A) jest przymocowana do produktu. Patrz *Montaż osłony osprzętu tnącego na stronie 281*. (Rys. 31)
2. Upewnić się, że tarcza zabierakowa (C) jest przymocowana do wałka zdawczego (D).
3. Umieścić kolek blokujący (C) w otworze, aby zablokować wałek.
4. Umieścić głowicę żyłkową (B) na wałku zdawczym.
5. Obróć głowicę żyłkową w lewo, aby dokręcić ją do wałka zdawczego. (Rys. 32)
6. Wyjąć kolek blokujący.

Obsługa

Wstęp



OSTRZEŻENIE: Przed użyciem urządzenia należy przeczytać ze zrozumieniem rozdział poświęcony bezpieczeństwu.



UWAGA: Nieprawidłowy rodzaj paliwa może doprowadzić do uszkodzenia silnika. Używać mieszanki benzyny i oleju do silników dwusuwowych.

Paliwo

Produkt jest wyposażony w silnik dwusuwowy.

Wstępnie wymieszane paliwo

- W celu zapewnienia najlepszej wydajności i wydłużenia żywotności silnika należy używać wstępnie wymieszanego paliwa alkaliowego

20	0,40
----	------



UWAGA: Podczas mieszania małych ilości paliwa niewielkie błędy mogą mieć znaczny wpływ na proporcje mieszanki. W celu uzyskania prawidłowej mieszanki należy dokładnie odmierzyć ilość dodawanego oleju.

Husqvarna o dobrej jakości. Takie paliwo zawiera mniej szkodliwych substancji chemicznych w porównaniu z tradycyjnym paliwem, dzięki czemu wytwarza mniej szkodliwych gazów wydechowych. Ilość pozostałości po spaleniu tego paliwa jest mniejsza, co zapewnia większą czystość elementów silnika.

Mieszanie paliwa

Benzyzna



UWAGA: Nie używać benzyny o liczbie oktanowej niższej niż 90 RON (87 AKI). Niezastosowanie się do tego zalecenia może spowodować uszkodzenie produktu.



UWAGA: Nie używać benzyny o stężeniu etanolu większym niż 10% (E10). Niezastosowanie się do tego zalecenia może spowodować uszkodzenie produktu.

- Zawsze należy używać nowej benzyny bezołowiowej o liczbie oktanowej nie mniejszej niż 90 RON (87 AKI) oraz o stężeniu etanolu mniejszym niż 10% (E10).
- Używać benzyny o wyższej liczbie oktanowej, jeśli maszyna często pracuje przy wysokiej prędkości obrotowej silnika.

Olej do silników dwusuwowych

- Aby uzyskać najlepsze wyniki i wydajność, należy używać oleju do silników dwusuwowych Husqvarna.
- Jeśli olej Husqvarna do silników dwusuwowych nie jest dostępny, należy użyć dobrej jakości oleju do silników dwusuwowych chłodzonych powietrzem. Skontaktować się z dealerem ds. serwisu w celu wybrania właściwego oleju.



UWAGA: Nie mieszać jednorazowo większej ilości paliwa niż wymagana na 1 miesiąc pracy.

Dolewanie paliwa

- Zawsze stosować kanister z zabezpieczeniem przeciw przelewaniu paliwa.
- Jeśli na pojemniku znajdują się resztki paliwa, oczyścić pojemnik i zaczekać, aż wyschnie.
- Sprawdzić, czy obszar wokół nakrętki zbiornika paliwa jest czysty.
- Wstrząsnąć pojemnik na paliwo przed doleniem mieszanki paliwowej do zbiornika paliwa.

Docieranie silnika

- Podczas pierwszych 10 godzin pracy nie należy przez dłuższy czas używać pełnych obrotów silnika bez obciążenia.

Uruchamianie i wyłączenie

Sprawdzenie przed uruchomieniem

1. Upewnić się, że produkt nie ma brakujących, uszkodzonych, luźnych ani zużytych części.
2. Upewnić się, że wszystkie nakrętki, śruby i wkręty są dokręcone.
3. Upewnić się, że tarcza ani głowica żyłkowa nie są uszkodzone.
4. Upewnić się, że przeciwnakrętka jest dokręcona. Patrz *Kontrola przeciwnakrętki na stronie 285*.
5. Upewnić się, że filtr powietrza nie jest zatkany.
6. Upewnić się, że urządzenia zabezpieczające produktu nie są uszkodzone.
7. Upewnić się, że nie ma wycieków paliwa w produkcie.

Mieszanie benzyny i oleju do silników dwusuwowych



UWAGA: Nigdy nie używaj oleju do silników dwusuwowych przeznaczonego do chłodzonych wodą, zaburtowych silników do łodzi. Nie używać oleju przeznaczonego do silników czterosuwowych.

Benzyzna, w litrach	Olej do silników dwusuwowych, w litrach
	2% (50:1)
5	0,10
10	0,20
15	0,30

Regulacja szelek



OSTRZEŻENIE: Produkt musi być zawsze przyczepiony do szelek. Nie należy używać uszkodzonych szelek.

1. Nałożyć szelki.
2. Przycocować produkt do szelek.
3. Wyregulować szelki tak, aby zapewniały jak najlepszą pozycję przy pracy.
4. Wyregulować boczne paski, aby ciężar produktu rozkładał się równo na oba ramiona. (Rys. 34)
5. Wyregulować szelki tak, aby osprzęt tnący znajdował się równoległe do podłoża.
6. Osprzęt tnący powinien lekko dotykać ziemi. Wyregulować kłamerę szelek, aby prawidłowo wyważyć produkt.

Uwaga: W przypadku używania tarczy tnącej do trawy musi się ona znajdować około 10 cm /4 cale nad ziemią.

Uruchamianie zimnego silnika

1. Nacisnąć pompkę paliwa 10 razy. (Rys. 35)
2. Pociągnąć dźwignię ssania do góry. (Rys. 36)
3. Przycisnąć korpus produktu do ziemi lewą ręką. (Rys. 37) Nie stawać na produkcie. Powoli ciągnąć rączkę linki rozrusznika do poczucia oporu. Następnie mocno pociągnąć rączkę.

Uwaga: Nie ciągnąć manetki gazu podczas uruchamiania silnika.

4. Ciągnąć rączkę linki rozrusznika, aż silnik zacznie pracować lub wykona kilka obrotów (maks. 3 pociągnięcia). Kiedy silnik zacznie pracować lub wykona kilka obrotów, popchnąć dźwignię ssania w dół. Ciągnąć do czasu uruchomienia silnika. Odczekać 60 sekund po uruchomieniu przed pociągnięciem manetki gazu.



UWAGA: Nie ciągnąć linki rozrusznika aż do oporu. Nie puszczać linki rozrusznika, kiedy jest w pełni wyciągnięta. Powoli zwolnić linkę rozrusznika. Nieprzestrzeganie tych instrukcji może spowodować uszkodzenie silnika.

Uruchamianie rozgrzanego silnika

1. Nacisnąć pompkę paliwa 10 razy.
2. Pociągnąć linkę rozrusznika, aż silnik zacznie pracować.

Uruchamianie silnika, gdy paliwo jest zbyt gorące

Jeśli produkt się nie uruchamia, paliwo może być zbyt gorące.

Uwaga: Zawsze stosować nowe paliwo i skracać czas pracy podczas ciepłej pogody.

1. Umieścić produkt w chłodnym miejscu z dala od bezpośredniego światła słonecznego.
2. Pozostawić produkt do ostygnięcia przynajmniej na 20 minut.
3. Naciskać pompkę paliwa jeszcze przez 10–15 s.
4. Postępować zgodnie z procedurą uruchamiania zimnego silnika. Patrz *Uruchamianie zimnego silnika na stronie 283*.

Zatrzymywanie

- Nacisnąć wyłącznik, aby wyłączyć silnik. (Rys. 21)

Uwaga: Wyłącznik automatycznie powraca do położenia początkowego.

Obsługa podkaszarki do trawy



UWAGA: Po każdym zadaniu należy zmniejszyć prędkość obrotową silnika do obrotów biegu jałowego. Długi czas na pełnym gazie bez obciążenia silnika może spowodować uszkodzenie silnika.

Uwaga: Czyścić pokrywę głowicy żyłkowej podczas montażu nowej żyłki do wykaszania w celu ograniczenia drgań. Sprawdzić inne części głowicy żyłkowej i wyczyścić je w razie potrzeby.

Podkaszanie trawy

1. Trzymać głowicę żyłkową tuż nad ziemią, przechylając ją lekko pod kątem. Nie dociskać żyłki do trawy. (Rys. 38)
2. Zmniejszyć długość żyłki o 10–12 cm / 4–4,75 cala.
3. Zmniejszyć prędkość obrotową silnika, aby zmniejszyć ryzyko uszkodzenia roślin.
4. Wykorzystać przepustnicę w 80% podczas koszenia trawy w pobliżu przedmiotów. (Rys. 39)

Koszenie trawy

1. Upewnić się, że żyłka podkaszarki do trawy jest ustawiona równoległe do podłoża podczas cięcia. (Rys. 40)
2. Nie dociskać głowicy żyłkowej do ziemi. Niezastosowanie się do tego zalecenia może spowodować uszkodzenie produktu

3. Podczas koszenia trawy należy przemieszczać produkt z boku na bok. Pracować przy maksymalnym ustawieniu przepustnicy. (Rys. 41)

Oczyszczanie trawy tarczą tnącą do trawy

1. Do wykaszania zdrewniałych łodyg nie wolno używać ostrzy do trawy i noży do trawy.
2. Do wszystkich rodzajów wysokiej i bujnej trawy stosuje się ostrze do trawy.
3. Trawę kosi się, prowadząc ostrze w kierunku bocznym, w tę i z powrotem, przy czym ruch od prawej strony do lewej jest ruchem koszącym, a od lewej do prawej — ruchem powrotnym. Cięcie powinno odbywać się lewą stroną ostrza (tą jego częścią, która odpowiada odcinkowi między godziną 8 i 12 na tarczy zegara).
4. Pochylenie tarczy nieco w lewo w trakcie koszenia powoduje układanie się ściętej trawy w równych pokosach, co ułatwia późniejsze jej zbieranie, np. grabienie.
5. Należy dążyć do wykonywania rytmicznych ruchów przy pracy. Stać należy pewnie, na lekko rozstawionych nogach. Po wykonaniu ruchu powrotnego zrobić krok do przodu i stanąć ponownie w stabilnej pozycji.
6. Talerz dystansowy powinien lekko przylegać do ziemi. Chroni on ostrze przed zagłębieniem się w ziemię.
7. Aby zmniejszyć ryzyko owijania się skoszonej trawy wokół ostrza, zawsze stosować pełny gaz i unikać

wcześniej ściętego materiału podczas ruchu powrotnego.

8. Przed przystąpieniem do zbierania skoszonej trawy należy wyłączyć silnik, rozpiąć uprząż i ustawić maszynę na ziemi.

Głowica żyłkowa do trawy

- Ciasno i równo owinąć żyłkę do wykaszania trawy wokół bębna, aby zmniejszyć drgania.
- Używać wyłącznie zatwierdzonych głowic żyłkowych do trawy i żyłek do wykaszania trawy. Patrz *Akcesoria na stronie 288*.
- Używać żyłek do wykaszania trawy o odpowiedniej długości. Długa żyłka wymaga większej mocy silnika niż krótka żyłka.
- Upewnić się, że przecinacz na osłonie osprzętu tnącego nie jest uszkodzony.
- Pozostawić żyłkę do wykaszania trawy w wodzie na 2 dni przed jej montażem w produkcie. Wyduży to czas jej eksploatacji.

Wymiana żyłki do wykaszania

- (Rys. 42)
- (Rys. 43)
- (Rys. 44)
- (Rys. 45)
- (Rys. 46)
- (Rys. 47)
- (Rys. 48)
- (Rys. 49)

Konserwacja

Wstęp



OSTRZEŻENIE: Przed przeprowadzeniem konserwacji należy przeczytać i zrozumieć rozdział o bezpieczeństwie.

Do wykonywania wszelkich prac serwisowych i naprawczych konieczne jest specjalistyczne przeszkolenie. Gwarantujemy dostępność profesjonalnych napraw i usług serwisowych. Jeśli dany dealer nie jest autoryzowanym punktem serwisowym, poproś sprzedawcę o informacje na temat najbliższego autoryzowanego punktu serwisowego.

Plan konserwacji

Przegląd cotygodniowy

- Oczyszczyć powierzchnie zewnętrzne.
- Sprawdzić, czy osprzęt tnący się nie obraca na biegu jałowym. Patrz *Regulacja obrotów biegu jałowego na stronie 285*.
- Sprawdzić poziom smaru w przekładni zębatej stożkowej. Patrz *Smarowanie przekładni zębatej stożkowej na stronie 285*.

- Sprawdzić przeciwnakrętkę. Patrz *Kontrola przeciwnakrętki na stronie 285*.

Przegląd miesięczny

- Upewnić się, że uchwyt linki rozrusznika i linka nie są uszkodzone.

Konserwacja coroczna

- Sprawdzić świecę zapłonową. Patrz *Sprawdzanie świecy zapłonowej na stronie 285*.
- Oczyszczyć zewnętrzne powierzchnie gaźnika i przylegających obszarów.
- Oczyszczyć system chłodzący.
- Sprawdzić siatkę iskrochronu. Patrz *Konserwacja chwytacza iskier na stronie 285*.
- Sprawdzić filtr paliwa.
- Upewnić się, że przewód paliwowy nie jest uszkodzony.
- Upewnić się, że kable i połączenia w produkcie nie są uszkodzone.

Regulacja obrotów biegu jałowego

- Przed regulacją obrotów biegu jałowego sprawdź, czy filtr powietrza jest czysty i przymocować pokrywę filtra powietrza.
 - Wyregulować obroty biegu jałowego za pomocą śruby regulacji oznaczonej symbolem „T”.
 - Obroty jałowe ustawione są prawidłowo, jeżeli silnik pracuje płynnie w każdym położeniu. Wartość obrotów biegu jałowego powinna być niższa od prędkości obrotowej osprzętu tnącego w momencie rozpoczęcia pracy.
1. Przekręcić śrubę regulacji obrotów biegu jałowego w prawo do momentu, gdy osprzęt tnący zacznie się obracać. (Rys. 50)
 2. Przekręcić śrubę regulacji obrotów biegu jałowego w lewo do momentu, gdy osprzęt tnący zatrzyma się.

Konserwacja chwytacza iskier

Użyć szczotki drucianej do czyszczenia chwytacza iskier.

(Rys. 51)

Czyszczenie układu chłodzenia

Czyścić części układu chłodzenia szczotką.

(Rys. 52)

Sprawdzanie świecy zapłonowej



UWAGA: Używać zalecanej świecy zapłonowej. Upewnić się, że część zamienna jest taka sama, jak część dostarczona przez producenta. Nieprawidłowa świeca zapłonowa może doprowadzić do uszkodzenia maszyny.

1. Sprawdzić świecę zapłonową w poniższych sytuacjach:
 - a) Silnik ma mało mocy.
 - b) Silnik trudno się uruchamia.
 - c) Silnik nie działa prawidłowo przy obrotach biegu jałowego.
2. Jeśli silnik trudno się uruchamia lub nie działa prawidłowo, sprawdzić świecę zapłonową pod kątem niepożądanych materiałów. Aby zmniejszyć ryzyko przedostawania się niepożądanych materiałów na elektrody świecy zapłonowej:
 - a) dopilnować, by obroty biegu jałowego zostały prawidłowo wyregulowane.
 - b) dopilnować, aby używana była odpowiednia mieszanka paliwowa.
 - c) zadbać o czystość filtra powietrza.
3. Wyczyścić świecę zapłonową, jeśli jest brudna, zbadać, czy odstęp między elektrodami jest prawidłowy. (Rys. 53)
4. W razie potrzeby wymienić świecę zapłonową.

Konserwacja filtra powietrza

Czyszczenie filtra powietrza

1. Zdjąć pokrywę filtra powietrza i wyjąć filtr powietrza. (Rys. 54)
2. Oczyszczyć filtr powietrza ciepłą wodą z mydłem. Przed zamontowaniem filtra poczekać na jego wyschnięcie.
3. Wymienić filtr powietrza, jeśli jest zbyt brudny, aby całkowicie go wyczyścić. Zawsze wymieniać uszkodzony filtr powietrza.
4. Jeśli maszyna jest wyposażona w piankowy filtr powietrza, stosować olej do filtrów powietrza. Oleju do filtrów powietrza należy używać wyłącznie do filtrów piankowych. Nie stosować oleju do filtrów filcowych.

Stosowanie oleju do filtrów powietrza



UWAGA: W przypadku piankowych filtrów powietrza zawsze należy stosować specjalny olej do filtrów powietrza. Nie używać innych rodzajów olejów.



OSTRZEŻENIE: Nie rozlać oleju na ciało.

1. Zdjąć pokrywę filtra powietrza i wyjąć filtr powietrza. (Rys. 55)
2. Umieścić filtr powietrza w plastikowej torbie.
3. Wlać olej do filtra powietrza do plastikowej torby. (Rys. 56)
4. Docisnąć plastikową torbę, aby olej rozprzestrzenił się równo po całym filtrze.
5. Nacisnąć filtr powietrza w torbie, aby usunąć zbędny olej. Wyjąć filtr powietrza z torby.
6. Zamontować filtr powietrza.

Smarowanie przekładni zębatej stożkowej

Upewnić się, że przekładnia zębata stożkowa jest napełniona w 3/4 smarem.

(Rys. 57)

Kontrola przeciwnakrętki



UWAGA: Przeciwnakrętkę należy wymienić po 10. użyciu.

1. Dokręcić przeciwnakrętkę w lewo. Aby zdjąć przeciwnakrętkę, należy odkręcić ją w prawo. (Rys. 58)
2. Upewnić się, że obrócenie nylonowego pierścienia przeciwnakrętki ręką jest niemożliwe. Opór

nylonowego pierścienia musi wynosić co najmniej 1,5 Nm / 1,1 ft lb.

3. Dokręcić przeciwnakrętkę momentem 35-50 Nm / 26-36 ft/lb, jeśli opór jest mniejszy niż minimalny.



UWAGA: Zbyt mocne dokręcenie przeciwnakrętki może spowodować uszkodzenie gwintu.

Ostrzenie noża do trawy i tarczy tnącej do trawy



OSTRZEŻENIE: Zatrzymać silnik. Stosować rękawice ochronne.

- Aby prawidłowo naostrzyć nóż do trawy lub tarczę tnącą do trawy, należy zapoznać się z instrukcją dołączoną do osprzętu tnącego.
- Wszystkie krawędzie tnące powinny być ostrzone w jednakowy sposób, aby nie zmieniło się wyważenie.
- Używać płaskiego pilnika o nacięciu pojedynczym. (Rys. 59)



OSTRZEŻENIE: Zawsze wyrzucać uszkodzone ostrza. Nie wolno prostować zgięty lub skrzywiony ostrzy w celu ich ponownego użycia.

Rozwiązywanie problemów

Silnik nie uruchamia się

Sprawdzić	Prawdopodobna przyczyna	Sposób postępowania
Wyłącznik	Wyłącznik znajduje się w pozycji STOP.	Przesuń wyłącznik do położenia włączenia.
Zapadki rozrusznika.	Zapadki rozrusznika nie są w stanie się swobodnie poruszać.	Wymontować pokrywę rozrusznika i wyczyścić obszar wokół zapadek rozrusznika. Należy zasięgnąć pomocy w autoryzowanym warsztacie obsługi technicznej.
Zbiornik paliwa.	Niewłaściwy rodzaj paliwa.	Opróżnić zbiornik paliwa i napełnić go odpowiednim paliwem.
świeca zapłonowa,	Świeca zapłonowa jest zabrudzona lub wilgotna.	Sprawdź, czy świeca zapłonowa jest sucha i czysta.
	Odstęp między elektrodami świecy zapłonowej jest nieprawidłowy.	Wyczyść świecę zapłonową. Upewnij się, że odstęp między elektrodami jest prawidłowy. Upewnij się, że świeca zapłonowa jest wyposażona w opornik przeciwzakłóceniuowy. Informacje na temat odpowiedniego odstępu między elektrodami znajdują się w danych technicznych.
	Poluzowana świeca zapłonowa.	Dokręć świecę zapłonową.

Silnik odpala i gaśnie

Sprawdzić	Prawdopodobna przyczyna	Sposób postępowania
Zbiornik paliwa	Niewłaściwy rodzaj paliwa.	Opróżnić zbiornik paliwa i napełnić go odpowiednim paliwem.
Filtr powietrza	Filtr powietrza jest niedrożny.	Czyszczenie filtra powietrza.

Transport, przechowywanie i utylizacja

Transport i przechowywanie

- Pozostawić do wystygnięcia przed rozpoczęciem transportowania lub przechowywania.
- Zdjąć nasadkę świecy zapłonowej przed rozpoczęciem długotrwałego przechowywania.
- Przymocować produkt podczas transportu. Upewnić się, że nie może się poruszać.
- Upewnić się, że nie ma ryzyka wycieku paliwa, wydobywania się oparów paliwa, iskrzenia czy kontaktu z otwartym ogniem podczas transportu i przechowywania.
- Przymocować osłonę transportową na czas transportu i przechowywania.
- Wyczyścić i przeprowadzić czynności konserwacyjne przed długim przechowywaniem.

Dane techniczne

Dane techniczne

	325R A05328CBHV
Silnik	
Pojemność skokowa, cm ³	27,6
Obroty na biegu jałowym, obr./min	2800–3200
Zalecane maks. nadobroty, obr./min	8000
Moc / maks. moc silnika zgodnie z ISO 8893, kW/KM przy obr./min	0,9/1,2 przy 8000
Tłumik z katalizatorem	Tak
Obroty wałka zdawczego, obr./min.	7200
Układ zapłonowy	
Świeca zapłonowa	Husqvarna HQT-4
Odstęp między elektrodami świecy, w mm	0,5
Układ paliwowy	
Pojemność zbiornika paliwa, l/cm ³	0,343/343
Wymiary produktu	
Ciężar, kg	5,5
Emisja hałasu⁵⁵	
Poziom mocy akustycznej, zmierzony, z tarczą tnącą do trawy, dB(A)	108
Poziom mocy akustycznej, zmierzony, z głowicą żyłkową do trawy, dB(A)	110
Poziom mocy akustycznej, gwarantowany (L _{WA}), z tarczą tnącą do trawy, dB(A)	112

⁵⁵ Emisję hałasu do otoczenia zmierzono jako moc akustyczną (L_{WA}) zgodnie z dyrektywą WE 2000/14/WE. Odnotowany poziom ciśnienia akustycznego dla produktu został zmierzony z oryginalnym osprzętem tnącym, który generuje najwyższy poziom hałasu. Różnica pomiędzy gwarantowanym a zmierzonym poziomem ciśnienia akustycznego wynika z tego, że poziom gwarantowany uwzględnia także rozproszenie w wynikach pomiaru oraz różnice pomiędzy różnymi produktami o takim samym oznaczeniu modelowym zgodnie z dyrektywą 2000/14/WE.

	325R A05328CBHV
Poziom mocy akustycznej, gwarantowany (L_{WA}), z głowicą żyłkową, dB(A)	114
Poziomy głośności⁵⁶	
Ciśnienie akustyczne przy uchu operatora, z tarczą tnącą do trawy, dB(A)	96
Ciśnienie akustyczne przy uchu operatora, z głowicą żyłkową, dB(A)	95
Poziomy drgań⁵⁷	
Poziom drgań ekwiwalentnych (ahv, eq), z tarczą tnącą do trawy, lewy uchwyt, m/s^2	5,1
Poziom drgań ekwiwalentnych (ahv, eq), z tarczą tnącą do trawy, prawy uchwyt, m/s^2	5,7
Poziom drgań ekwiwalentnych (ahv, eq), z głowicą żyłkową, lewy uchwyt, m/s^2	4,1
Poziom drgań ekwiwalentnych (ahv, eq), z głowicą żyłkową, prawy uchwyt, m/s^2	4,9

Akcesoria

Akcesoria

Zatwierdzone akcesoria	Typ	Osiłona osprzętu tnącego
Wał gwintowany	M10L	
Głowica żyłkowa	T35, 2,4 mm	588 11 79-01
Tarcza tnąca do trawy	Grass 255-4, Ø 250	588 11 79-01

⁵⁶ Odnótowane dane dotyczące równoważnego ciśnienia akustycznego produktu wykazują typowy rozrzut statystyczny (odchylenie standardowe) w wysokości 1 dB(A).

⁵⁷ Odnótowane dane dotyczące równoważnego poziomu drgań wykazują typowe rozproszenie statystyczne (odchylenie standardowe) w wysokości 1 m/s^2 .

Deklaracja zgodności WE

Treść deklaracji zgodności z normami WE

Firma Husqvarna AB, SE 561 82 Husqvarna, SZWECJA, deklaruje z pełną odpowiedzialnością, że przedstawiony produkt:

Opis	Benzynowa podkaszarka do trawy/wykaszarka
Marka	Husqvarna
Platforma/typ/model	PlatformaA05328CBHV, reprezentująca model 325R.
Partia produkcyjna	Począwszy od numerów seryjnych z roku 2018.

spełnia wszystkie wymogi określone w odpowiednich dyrektywach i przepisach UE:

Dyrektywa/przepis	Opis
2006/42/WE	„maszynowa”
2014/30/UE	„dotycząca zgodności elektromagnetycznej”
2000/14/WE	„dotycząca emisji hałasu”
2011/65/UE	dotycząca „ograniczenia użycia określonych substancji niebezpiecznych”

Odpowiednie zharmonizowane normy oraz parametry techniczne: EN ISO 12100, EN ISO 11806-1, CISPR 12, ISO 14982, EN 50581:2012.

Zgodnie z dyrektywą 2000/14/WE, Aneks V, deklarowane wartości dźwięku są podane w rozdziale „Dane techniczne” niniejszej instrukcji i w podpisanej deklaracji zgodności WE.

Jednostka certyfikująca TÜV Rheinland N.A. przeprowadziła dobrowolną kontrolę w imieniu firmy Husqvarna AB oraz wydała Certyfikat zgodności poświadczający zgodność z Dyrektywą Rady Europejskiej 2006/42/WE.

Ten certyfikat, załączony na podpisanej Deklaracji zgodności WE, dotyczy wszystkich miejsc produkcji oraz krajów pochodzenia, informacje o których umieszczono na produktach.

Dostarczona benzynowa podkaszarka do trawy/wykaszarka jest zgodna ze specyfikacją prototypu poddanego kontroli.

ÍNDICE

Introdução.....	290	Resolução de problemas.....	301
Segurança.....	291	Transporte, armazenamento e eliminação.....	302
Montagem.....	296	Especificações técnicas.....	302
Funcionamento.....	296	Acessórios.....	303
Manutenção.....	299	Declaração CE de conformidade.....	304

Introdução

Manual do utilizador

O idioma inicial deste manual do utilizador é o Inglês. Os manuais do utilizador em outros idiomas são traduções do Inglês.

Finalidade

Utilize o produto com uma lâmina de relva ou cabeça do aparador para cortar diferentes tipos de relva.

Vista geral do produto

(Fig. 1)

1. Cabeçote de recorte
2. Tampão de enchimento de massa lubrificante
3. Engrenagem cónica
4. Proteção do acessório de corte
5. Eixo
6. Interruptor de paragem
7. Acelerador
8. Bloqueio do acelerador
9. Barra de direção
10. Grampo do suporte
11. Caixa do dispositivo de arranque
12. Cobertura da vela de ignição, vela de ignição
13. Punho do cabo de arranque
14. Depósito de combustível
15. Cobertura do filtro de ar
16. Ampola da purga de ar
17. Controlo do estrangulador
18. Ajuste do punho
19. Cabo do acelerador
20. Botão de ralenti rápido
21. Cablagem
22. Chave combinada
23. Manual do utilizador
24. Proteção para transporte
25. Lâmina
26. Copo de apoio
27. Flange de apoio
28. Porca de fixação

Nota: A legislação nacional pode limitar a utilização deste produto.

29. Acionador
30. Pino de bloqueio
31. Chave sextavada

Símbolos no produto

- (Fig. 2) **AVISO!** Este produto é perigoso. Uma utilização não cuidadosa e incorreta poderá provocar ferimentos ou a morte do operador ou de terceiros. Para evitar ferimentos ao operador ou a terceiros, leia e cumpra todas as instruções de segurança do manual do utilizador.
- (Fig. 3) Leia o manual do utilizador com atenção e certifique-se de que compreende as instruções antes de utilizar o produto.
- (Fig. 4) Utilize um capacete de proteção em locais onde possam cair objetos sobre si. Utilize protetores acústicos aprovados. Utilize proteção ocular aprovada.
- (Fig. 5) Utilize luvas de proteção aprovadas.
- (Fig. 6) Use botas antiderrapantes resistentes.
- (Fig. 7) As setas mostram os limites para a posição do punho.
- (Fig. 8) O produto pode causar a projeção de objetos, o que pode resultar em ferimentos.
- (Fig. 9) Velocidade máxima do eixo de saída.

(Fig. 10) Mantenha pessoas e animais a uma distância mínima de 15 m/50 pés durante o funcionamento do produto.

(Fig. 11) Risco de arremesso da lâmina se o equipamento de corte tocar num objeto que não é imediatamente cortado. O produto pode cortar partes do corpo. Mantenha pessoas e animais a uma distância mínima de 15 m/50 pés durante o funcionamento do produto.

(Fig. 12) Ampola da purga de ar.

(Fig. 13) Estrangulador.

(Fig. 14) Mantenha todas as partes do seu corpo afastadas das superfícies quentes.

(Fig. 15) Para informações sobre as emissões de ruído para o meio ambiente consulte a diretiva da Comunidade Europeia. As emissões do produto são indicadas no capítulo de Especificações técnicas e na etiqueta.

(Fig. 16) O produto está em conformidade com as diretivas CE aplicáveis.

(Fig. 17) O produto está em conformidade com as diretivas EAC aplicáveis.

A etiqueta de tipo apresenta o número de série.

yyyy corresponde ao ano de produção, **ww** à semana de produção e **xxxxx** é o número de série.

yyyywwxxxxx

Nota: Os restantes símbolos/autocolantes existentes no produto dizem respeito a exigências para homologação em outras áreas comerciais.

Responsabilidade pelo produto

Como referido nas leis de responsabilidade pelo produto, não somos responsáveis por danos causados pelo nosso produto se:

- o produto tiver sido incorretamente reparado.
- o produto tiver sido reparado com peças que não sejam do fabricante ou que não sejam aprovadas pelo fabricante.
- o produto tiver um acessório que não seja do fabricante ou que não seja aprovado pelo fabricante.
- o produto não tiver sido reparado por um centro de assistência autorizado ou por uma autoridade aprovada.

UE V



ATENÇÃO: A adulteração do motor anula a aprovação deste produto pela UE.

Segurança

Definições de segurança

Os avisos, as precauções e as notas são utilizados para indicar partes especialmente importantes do manual.



ATENÇÃO: Utilizado no caso de existir risco de ferimento ou morte para o utilizador ou transeuntes, se não forem respeitadas as instruções do manual.



CUIDADO: Utilizado se existir risco de danos para o produto, para outros materiais ou para a área adjacente, se não forem respeitadas as instruções do manual.

Nota: Utilizado para disponibilizar informações adicionais necessárias numa determinada situação.

Segurança da vibração

Este produto foi concebido apenas para funcionamento ocasional. O funcionamento contínuo ou regular do produto pode causar "síndrome dos dedos brancos" ou problemas médicos equivalentes causados pelas vibrações. Examine o estado das suas mãos e dedos se utilizar o produto de forma contínua ou regular. Se as suas mãos ou dedos apresentarem descoloração, se tiver dor ou uma sensação de zumbido ou dormência, pare de trabalhar e consulte imediatamente um médico.

Instruções de segurança gerais



ATENÇÃO: Leia as instruções de aviso que se seguem antes de utilizar o produto.

- Utilize o produto corretamente. Ferimentos ou morte são resultados possíveis de utilização incorreta. Utilize apenas o produto para as tarefas descritas neste manual. Não utilize o produto para outras tarefas.
- Siga as instruções neste manual. Respeite as instruções e os símbolos de segurança. Ferimentos, danos ou morte são um resultado possível se o operador não respeitar as instruções e os símbolos.
- Não elimine este manual. Utilize as instruções para montar, para operar e para manter o seu produto em bom estado. Utilize as instruções para a instalação correta de acessórios. Utilize apenas acessórios aprovados.
- Não utilize um produto danificado. Respeite o esquema de manutenção. Realize apenas tarefas de manutenção descritas neste manual. Todas as outras tarefas de manutenção têm de ser realizadas por um centro de assistência autorizado.
- Este manual não pode incluir todas as situações que podem ocorrer quando utiliza o produto. Seja cuidadoso e use o seu senso comum. Não utilize o produto nem realize tarefas de manutenção no mesmo se não tiver a certeza acerca da situação. Fale com um especialista do produto, o seu concessionário, oficina autorizada ou centro de assistência autorizado para obter informações.
- Desligue o cabo da vela de ignição antes de montar o produto, de o armazenar ou de realizar tarefas de manutenção.
- Não utilize o produto se este for alterado da sua especificação inicial. Não altere uma parte do produto sem a aprovação do fabricante. Utilize apenas peças aprovadas pelo fabricante. Ferimentos ou morte são resultados possíveis de manutenção incorreta.
- Não respire os gases do motor. A inalação prolongada dos gases de escape do motor constitui um risco para a saúde.
- Não arranque o produto em locais fechados ou nas proximidades de material inflamável. Os gases de escape são quentes e podem conter faíscas que podem causar incêndios. O fluxo de ar insuficiente pode causar ferimentos ou morte devido a asfixia ou monóxido de carbono.
- Quando utilizar esse produto, o motor produz um campo eletromagnético. O campo eletromagnético pode causar danos a implantes médicos. Consulte o seu médico e o fabricante do implante antes de utilizar este produto.
- Não deixe uma criança utilizar o produto. Não permita que o produto seja operado por uma pessoa que não conheça as instruções.

- Certifique-se de que monitoriza sempre a utilização do produto por pessoas com diminuição da capacidade física ou mental. Tem de estar sempre presente um adulto responsável.
- Bloqueie o produto numa área à qual crianças e pessoas sem autorização não tenham acesso.
- O produto pode projetar objetos e causar ferimentos. Respeite as instruções de segurança para diminuir o risco de ferimentos ou morte.
- Não se afaste do produto quando o motor estiver ligado.
- O operador do produto é responsável caso ocorra um acidente.
- Certifique-se de que as peças não estão danificadas antes de utilizar o produto.
- Antes de utilizar o produto, certifique-se de que está, no mínimo, a 15 m (50 pés) de distância de outras pessoas ou de animais. Certifique-se de que as pessoas na área adjacente sabem que irá utilizar o produto.
- Consulte as leis nacionais ou locais. Podem impedir ou diminuir o funcionamento do produto em algumas condições.
- Não utilize o produto se estiver cansado ou sob a influência de álcool, drogas ou medicamentos. Estes podem ter efeitos na sua visão, atenção, capacidade de discernimento ou controlo físico.

Instruções de segurança para montagem



ATENÇÃO: Leia as instruções de aviso que se seguem antes de utilizar o produto.

- Retire a cobertura da vela de ignição antes de montar o produto.
- Utilize luvas de proteção aprovadas.
- Certifique-se de que instala corretamente a cobertura e o eixo antes de ligar o motor.
- O acionador e a flange de apoio têm de encaixar corretamente no furo central do equipamento de corte. Um equipamento de corte ligado incorretamente pode causar ferimentos graves ou morte do operador ou outras pessoas.
- Para utilizar o produto de forma segura e evitar que o operador e terceiros sofram ferimentos, o produto deve estar sempre ligado corretamente à correia.

Instruções de segurança para funcionamento



ATENÇÃO: Leia as instruções de aviso que se seguem antes de utilizar o produto.

- Certifique-se de que o produto está totalmente montado antes de o utilizar.

- Antes de começar, desloque o produto a uma distância de 3 m/10 pés da posição onde abasteceu o depósito de combustível. Coloque o produto numa superfície plana. Certifique-se de que o acessório de corte não toca no solo ou noutros objetos.
- O produto pode causar a projeção de objetos, o que pode causar danos nos olhos. Utilize sempre uma proteção ocular aprovada quando operar o produto.
- Tenha cuidado, uma criança pode aproximar-se do produto sem o seu conhecimento durante o funcionamento.
- Não opere o produto se houver pessoas na área de trabalho. Pare o produto se uma pessoa for para a área de trabalho.
- Certifique-se de que está sempre em controlo do produto.
- Não utilize o produto se não puder receber ajuda em caso de acidente. Certifique-se sempre de que outras pessoas sabem que irá operar o produto antes de começar.
- Não vire com o produto antes de se certificar de que não há pessoas ou animais na área de segurança.
- Remova todos os materiais indesejados da área de trabalho antes de começar. Se o acessório de corte atingir um objeto, este pode ser projetado e causar ferimentos ou danos. Os materiais indesejados podem enrolar-se à volta do acessório de corte e causar danos.
- Não utilize o produto em más condições meteorológicas (nevoeiro, chuva, ventos fortes, risco de relâmpagos ou outras condições meteorológicas). Podem ocorrer condições perigosas (tais como superfícies escorregadias) devido a más condições meteorológicas.
- Certifique-se de que pode mover-se livremente e trabalhar numa posição estável.

(Fig. 18)

- Certifique-se de que não pode cair quando utilizar o produto. Não se incline quando operar o produto.
- Segure sempre o produto com ambas as mãos. Mantenha o produto do lado direito do seu corpo.

(Fig. 19)

- Opere o produto com o acessório de corte abaixo da cintura.
- Se o controlo do estrangulador estiver na posição do estrangulador quando o motor arranca, o acessório de corte começa a rodar.
- Não toque na engrenagem cônica depois de o motor parar. A engrenagem cônica está quente depois de o motor parar. As áreas quentes podem causar ferimentos.
- Pare o motor antes de mover o produto.
- Não pouse o produto com o motor ligado.
- Antes de remover os materiais indesejados do produto, pare o motor e aguarde que o acessório de corte pare. Deixe o acessório de corte parar antes de o material cortado ser retirado por si ou por um ajudante.

Equipamento de proteção pessoal



ATENÇÃO: Leia as instruções de aviso que se seguem antes de utilizar o produto.

- Utilize sempre equipamento de proteção pessoal adequado quando operar o produto. O equipamento de proteção pessoal não elimina o risco de ferimentos. O equipamento de proteção pessoal diminui a gravidade dos ferimentos em caso de acidente.
- Utilize sempre uma proteção ocular aprovada enquanto opera o produto.
- Não opere o produto com os pés descalços ou com calçado aberto. Use sempre botas antiderrapantes resistentes.
- Use calças compridas e resistentes.
- Se for necessário, use luvas de proteção aprovadas.
- Use um capacete caso haja possibilidade de objetos caírem na sua cabeça.
- Utilize sempre proteção auditiva aprovada enquanto opera o produto. A exposição prolongada a ruído pode causar perda da capacidade auditiva.
- Certifique-se de que tem um kit de primeiros socorros por perto.

Dispositivos de segurança no produto



ATENÇÃO: Leia as instruções de aviso que se seguem antes de utilizar o produto.

- Não utilize o produto com dispositivos de segurança defeituosos.
- Verifique regularmente os dispositivos de segurança. Consulte *Vista geral do produto na página 290*.
- Se os dispositivos de segurança estiverem defeituosos, fale com o seu revendedor com assistência técnica Husqvarna.

Bloqueio do acelerador

O bloqueio do acelerador bloqueia o acelerador. (Fig. 20)

Empurre o bloqueio do acelerador (A) para libertar o acelerador (B). Ao soltar o punho, o bloqueio do acelerador e o acelerador regressam às respetivas posições iniciais.

1. Certifique-se de que o acelerador (B) está bloqueado ao ralenti quando libertar o bloqueio do acelerador (A).
2. Empurre o bloqueio do acelerador (A) e certifique-se de que este regressa à sua posição inicial quando libertado.
3. Empurre o acelerador (B) e certifique-se de que este regressa à sua posição inicial quando libertado.

Ligue o motor e, em seguida, aplique aceleração total. Solte o acelerador e examine se o acessório de corte para. Se o acessório de corte rodar com o acelerador na posição de ralenti, examine o parafuso de ajuste de ralenti do carburador.

Interruptor de paragem

Ligue o motor. Certifique-se de que o motor para quando move o interruptor de paragem para a posição de paragem.

(Fig. 21)

Proteção do acessório de corte

A proteção do acessório de corte evita a projeção de objetos soltos em direção ao operador.

(Fig. 22)

Examine a proteção do acessório de corte quanto a danos e substitua se estiver danificada. Utilize apenas a proteção aprovada para o acessório de corte.

Silenciador

- Não utilize um motor com um silenciador danificado. Um silenciador danificado aumenta o nível de ruído e o risco de incêndio. Mantenha um extintor de incêndios por perto.
- Examine regularmente se o silenciador está fixo ao produto.
- Não toque no motor ou no silenciador quando o motor está ligado. Não toque no motor ou no silenciador durante algum tempo após a paragem do motor. As superfícies quentes podem causar ferimentos.
- Um silenciador quente pode provocar um incêndio. Tenha cuidado se utilizar o produto nas proximidades de líquidos inflamáveis ou gases.
- Não toque nas peças do silenciador, caso este esteja danificado. As peças podem conter alguns produtos químicos cancerígenos.

Porca de fixação

A porca de fixação é utilizada para bloquear alguns tipos de acessório de corte.

(Fig. 23)

Quando instalar a porca de fixação, aperte-a no sentido oposto ao sentido de funcionamento do acessório de corte.

Função de desengate da correia



ATENÇÃO: Não utilize a correia se a função de desengate tiver um defeito. Certifique-se de que a função de desengate da correia funciona corretamente quando ajustar o produto.

A função de desengate da correia situa-se na parte dianteira do produto. As alças da correia têm de estar sempre na posição correta.

(Fig. 24)

Em caso de emergência, a função de desengate da correia ajuda-o a libertar-se do produto em segurança.

Acessório de corte



ATENÇÃO: Leia as instruções de aviso que se seguem antes de utilizar o produto.

- Realize regularmente as tarefas de manutenção. Leve regularmente o acessório de corte a um centro de assistência autorizado para que o examinem e realizem ajustes ou reparações.
 - O desempenho do acessório de corte melhora.
 - A vida útil do acessório de corte é aumentada.
 - O risco de acidentes é reduzido.
- Utilize apenas uma proteção do acessório de corte aprovada. Para mais informações, consulte *Acessórios na página 303*.
- Não utilize um acessório de corte danificado.

Lâminas e cortadoras de relva

- Utilize o produto com uma lâmina de relva aprovada. Não utilize uma lâmina de relva sem instalar adequadamente todas as peças necessárias. Certifique-se de que a instalação é feita corretamente e que são utilizadas as peças adequadas. Uma instalação incorreta pode fazer com que a lâmina se desprenda e cause ferimentos graves ao operador ou a terceiros.
 - Use luvas de proteção quando manusear ou realizar tarefas de manutenção na lâmina.
 - Utilize proteção para a cabeça quando utilizar um produto com uma lâmina de relva.
 - As lâminas e as cortadoras de relva são utilizadas para cortar relva irregular.
 - A lâmina de relva pode causar ferimentos se continuar a rodar depois de o motor ser desligado ou o acelerador ser libertado. Certifique-se de que a lâmina de relva parou completamente de rodar antes de realizar qualquer tarefa de manutenção.
 - Pare o motor antes de realizar tarefas no acessório de corte. Certifique-se de que o acessório de corte para completamente. Remova o cabo da vela de ignição.
 - Utilize apenas um acessório de corte aprovado ou uma lâmina corretamente afiada.
 - Mantenha sempre os dentes de corte da lâmina bem afiados.
- (Fig. 25)
- Não utilize um acessório de corte danificado.
 - Fixe a proteção para transporte na lâmina de relva quando transportar ou armazenar o produto.

Arremesso da lâmina

- Um arremesso da lâmina é um movimento súbito do produto para o lado, para a frente ou para trás. O arremesso da lâmina ocorre quando a lâmina de relva ou a lâmina de serra atinge um objeto que não pode ser cortado. Nas zonas onde que não é fácil ver o material a cortar, o risco de arremesso da lâmina aumenta.
- Quando ocorre um arremesso da lâmina, existe o risco de o produto ou o operador mudar de posição. Uma lâmina que se desloque pode atingir terceiros e, por isso, existe o risco de causar ferimentos.
- Se uma lâmina estiver dobrada, apresentar fissuras, estiver partida ou danificada, elimine-a.
- Use uma lâmina afiada. O risco de arremesso da lâmina aumenta quando a lâmina não está afiada.

Segurança no manuseamento do combustível



ATENÇÃO: Leia as instruções de aviso que se seguem antes de utilizar o produto.

- Não misture o combustível em espaços interiores ou próximo de uma fonte de calor.
- Não ligue o produto se houver combustível ou óleo do motor sobre o produto. Remova o combustível/ óleo indesejado e deixe o produto secar. Remova o combustível indesejado do produto.
- Se derramar combustível na sua roupa, troque de roupa imediatamente.
- Não deixe que o combustível entre em contacto com o seu corpo, pois pode causar ferimentos. Se o combustível entrar em contacto com o seu corpo, use sabão e água para o remover.
- Não ligue o motor se derramar óleo ou combustível no produto ou no seu corpo.
- Não ligue o produto se o motor tiver uma fuga. Examine regularmente o motor quanto a fugas.
- Tenha cuidado com o combustível. O combustível é inflamável e os gases são explosivos e podem causar ferimentos ou morte.
- Não respire os gases do combustível, podem causar ferimentos. Certifique-se de que existe um fluxo de ar suficiente.
- Não fume perto de combustível ou do motor.
- Não coloque objetos quentes perto do combustível ou do motor.
- Não acrescente combustível com o motor em funcionamento.
- Certifique-se de que o motor está frio antes de reabastecer.
- Antes de reabastecer, abra lentamente a tampa do depósito de combustível e liberte a pressão com cuidado.

- Não adicione combustível ao motor numa área interior. O fluxo de ar insuficiente pode causar ferimentos ou morte devido a asfixia ou monóxido de carbono.
- Aperte a tampa do depósito de combustível com cuidado ou pode ocorrer um incêndio.
- Desloque o produto a uma distância mínima de 3 m (10 pés) da posição onde abasteceu o depósito antes de começar.
- Não encha demasiado o depósito de combustível.
- Certifique-se de que não ocorrem fugas quando desloca o produto ou o recipiente de combustível.
- Não coloque o produto ou um recipiente de combustível onde houver uma chama aberta, faísca ou luz piloto. Certifique-se de que a área de armazenamento não contém uma chama aberta.
- Utilize apenas recipientes aprovados quando deslocar ou armazenar o combustível.
- Esvazie o depósito de combustível antes do armazenamento a longo prazo. Respeite a legislação local sobre a eliminação de combustível.
- Limpe o produto antes do armazenamento a longo prazo.
- Remova o cabo de vela de ignição antes de armazenar o produto, para se certificar de que o motor não arranca acidentalmente.

Instruções de segurança para manutenção



ATENÇÃO: Leia as instruções de aviso que se seguem antes de efetuar tarefas de manutenção no produto.

- Efetue apenas as tarefas de manutenção e reparação descritas neste manual do utilizador. As outras tarefas de manutenção e reparação devem ser efetuadas por pessoal de manutenção profissional.
- Efetue regularmente as verificações de segurança e cumpra as instruções de manutenção e assistência técnica fornecidas neste manual. A manutenção regular aumenta a vida útil do produto e reduz o risco de acidentes. Consulte *Esquema de manutenção na página 299* para obter instruções.
- Se as verificações de segurança apresentadas neste manual do utilizador não forem aprovadas após efetuar a manutenção, entre em contacto com o seu revendedor com assistência técnica. Garantimos que existem reparações e assistência profissionais disponíveis para o seu produto.

Montagem

Introdução



ATENÇÃO: Antes de montar o produto, tem de ler e compreender o capítulo sobre segurança.



ATENÇÃO: Retire o cabo da vela de ignição antes de montar o produto.

Para montar a barra de direção

1. Retire o parafuso que se encontra atrás do punho do acelerador. (Fig. 26)
2. Desloque o punho do acelerador para o lado direito da barra de direção.
3. Alinhe o orifício que se encontra atrás do punho do acelerador com o orifício na barra de direção.
4. Passe o parafuso pelos orifícios. Aperte o parafuso.
5. Fixe a barra de direção entre as setas no eixo. Aperte o parafuso. (Fig. 27)

Fixar o grampo da correia

1. Coloque o grampo da correia no eixo, com o laço do grampo da cablagem virado para cima. Coloque o grampo da correia acima das setas do eixo.
2. Coloque o cabo do acelerador na ranhura do grampo inferior da correia.
3. Alinhe os orifícios dos parafusos do grampo da correia.
4. Fixe 2 parafusos nos respetivos orifícios.
5. Aperte os parafusos.

Montar o acessório de corte

Montar a proteção do equipamento de corte

1. Coloque a proteção do equipamento de corte (A) no eixo. (Fig. 28)

2. Coloque o suporte (B) na ranhura da proteção do equipamento de corte.
3. Fixe o parafuso (C), através do orifício no suporte, à proteção do equipamento de corte.

Montar a lâmina de relva

1. Certifique-se de que a proteção do equipamento de corte (A) está fixada ao produto. Consulte *Montar a proteção do equipamento de corte na página 296*. (Fig. 29)
2. Coloque o pino de bloqueio (B) no orifício para bloquear o eixo.
3. Coloque a lâmina (E), o copo de apoio (F) e a flange de apoio (G) no eixo de saída (D).
4. Certifique-se de que o acionador (C) encaixa corretamente no orifício central da lâmina. (Fig. 30)
5. Coloque a porca de fixação (H) no eixo de saída. Mantenha o cabo da chave combinada junto à proteção do equipamento de corte. Rode a chave combinada para a esquerda para apertar a porca de fixação. Aperte a porca de fixação com um binário de 35-50 Nm/26-36 pés/lb.
6. Retire o pino de bloqueio.

Fixar a cabeça do aparador

1. Certifique-se de que a proteção do equipamento de corte (A) está fixada ao produto. Consulte *Montar a proteção do equipamento de corte na página 296*. (Fig. 31)
2. Certifique-se de que o acionador (C) está fixado no eixo de saída (D).
3. Coloque o pino de bloqueio (B) no orifício para bloquear o eixo.
4. Coloque a cabeça do aparador (E) no eixo de saída.
5. Rode a cabeça do aparador para a esquerda para a encaixar no eixo de saída. (Fig. 32)
6. Retire o pino de bloqueio.

Funcionamento

Introdução



ATENÇÃO: Antes de utilizar o produto, tem de ler e compreender o capítulo sobre segurança.



CUIDADO: O tipo errado de combustível pode resultar em danos no motor. Utilize uma mistura de gasolina e óleo para motor de dois tempos.

Combustível

Este produto tem um motor de dois tempos.

Combustível previamente misturado

- Utilize combustível alquilado previamente misturado da Husqvarna de boa qualidade para obter o melhor desempenho e prolongar a vida útil do motor. Este

combustível contém substâncias químicas menos nocivas em comparação com o combustível normal, o que reduz os gases de escape nocivos. A quantidade de resíduos após a combustão é inferior com este combustível, o que mantém os componentes do motor mais limpos.

Para misturar o combustível

Gasolina



CUIDADO: Não utilize gasolina com um índice de octanas inferior a 90 RON (87 AKI). Caso contrário, pode causar danos no produto.



CUIDADO: Não utilize gasolina com mais de 10% de concentração de etanol (E10). Caso contrário, pode causar danos no produto.

- Utilize sempre gasolina sem chumbo nova com um índice de octanas mínimo de 90 RON (87 AKI) e com menos de 10% de concentração de etanol (E10).
- Utilize gasolina com um índice de octanas superior se costumar utilizar o produto a uma velocidade do motor continuamente elevada.

Óleo para motores a dois tempos

- Para obter melhores resultados e desempenho, use o óleo para motor de dois tempos da Husqvarna.
- Se o óleo para motores de dois tempos da Husqvarna não estiver disponível, use um óleo para motores de dois tempos de boa qualidade destinado a motores arrefecidos a ar. Entre em contacto com o seu revendedor com assistência técnica para seleccionar o óleo correto.



CUIDADO: Não use óleo para motores de dois tempos formulado para motores fora de borda arrefecidos a água, também conhecido como óleo para motores fora de borda. Não utilize óleo para motores a quatro tempos.

Misturar gasolina e óleo para motores de dois tempos

Gasolina, litros	Óleo para motor de dois tempos, litros
	2% (50:1)
5	0,10
10	0,20
15	0,30

20	0,40
----	------



CUIDADO: Ao misturar pequenas quantidades de combustível, existe o risco de pequenos erros poderem influenciar drasticamente a proporção da mistura. Meça cuidadosamente a quantidade de óleo e certifique-se de que obtém a mistura correta.

(Fig. 33)

1. Encha metade da quantidade de gasolina num recipiente limpo para combustível.
2. Adicione a quantidade total de óleo.
3. Agite bem a mistura de combustível.
4. Adicione a restante quantidade de gasolina ao recipiente.
5. Agite cuidadosamente a mistura de combustível.



CUIDADO: Não misture combustível para mais de 1 mês de cada vez.

Adicionar combustível

- Utilize sempre um recipiente de combustível com uma proteção contra enchimento excessivo.
- Se houver algum combustível no recipiente, retire o combustível indesejado e deixe o recipiente secar.
- Certifique-se de que a área perto da tampa do depósito de combustível está limpa.
- Agite o recipiente de combustível antes de adicionar a mistura de combustível ao depósito de combustível.

Para efetuar a rodagem

- Durante as primeiras 10 horas de funcionamento, não aplique a aceleração total sem carga durante longos períodos de tempo.

Ligar e desligar

Examinar antes de começar

1. Certifique-se de que o produto não tem peças em falta, danificadas, soltas ou desgastadas.
2. Certifique-se de que as porcas, os parafusos e os pernos estão apertados.
3. Certifique-se de que as lâminas ou a cabeça do aparador não estão danificadas.
4. Certifique-se de que a porca de fixação está apertada. Consulte *Examinar a porca de fixação na página 300*.
5. Certifique-se de que o filtro de ar não está obstruído.
6. Certifique-se de que os dispositivos de segurança do produto não estão danificados.

7. Certifique-se de que o produto não apresenta fugas de combustível.

Ajustar a correia



ATENÇÃO: O produto tem de estar sempre bem fixo à correia. Não utilize uma correia danificada.

1. Pegue no suporte.
2. Ligue o produto à correia.
3. Ajuste a correia para a melhor posição de trabalho.
4. Ajuste as alças laterais de forma a que o produto exerça o mesmo peso em cada ombro. (Fig. 34)
5. Ajuste a correia até o acessório de corte ficar paralelo ao chão.
6. Apoie ligeiramente o equipamento de corte no chão. Ajuste o grampo da correia para equilibrar corretamente o produto.

Nota: Se utilizar uma lâmina de relva, tem de equilibrar o produto a cerca de 10 cm/4 pol. do chão.

Arrancar com o motor frio

1. Empurre a ampola da purga de ar 10 vezes. (Fig. 35)
2. Puxe o controlo do estrangulador para cima. (Fig. 36)
3. Pressione o corpo do produto contra o solo com a mão esquerda. (Fig. 37) Não pise o produto. Puxe o punho do cabo de arranque lentamente até sentir alguma resistência. Em seguida, puxe o punho do cabo de arranque com vigor.

Nota: Não puxe o acelerador enquanto liga o motor.

4. Continue a puxar o punho do cabo de arranque até que o motor arranque ou tente arrancar (puxe no máx. 3 vezes). Se o motor arrancar ou tentar arrancar, puxe o controlo do estrangulador para baixo. Continue a puxar até que o motor arranque. Aguarde 60 segundos depois de um arranque antes de puxar o acelerador.



CUIDADO: Não puxe o cabo de arranque até que pare. Não largue o cabo de arranque quando estiver totalmente estendido. Solte o cabo de arranque lentamente. O não cumprimento destas instruções pode causar danos ao motor.

Arranque com o motor quente

1. Empurre a ampola da purga de ar 10 vezes.
2. Puxe o cabo de arranque até que o motor arranque.

Para arrancar o motor quando o combustível está demasiado quente

Se o produto não arrancar, o combustível pode estar demasiado quente.

Nota: Utilize sempre combustível novo e reduza as horas de funcionamento durante o tempo quente.

1. Coloque o produto num local fresco sem exposição à luz solar direta.
2. Deixe o produto arrefecer durante, no mínimo, 20 minutos.
3. Prima novamente a ampola da purga de ar durante 10-15 segundos.
4. Siga o procedimento de arranque a frio. Consulte *Arrancar com o motor frio na página 298*.

Parar

- Empurre o interruptor de paragem para parar o motor. (Fig. 21)

Nota: O interruptor de paragem regressa automaticamente à sua posição inicial.

Operar o aparador de relva



CUIDADO: Certifique-se de que abranda o motor ao ralenti após cada utilização. Um longo período em aceleração total sem carga no motor pode causar danos ao motor.

Nota: Limpe a tampa da cabeça do aparador quando montar uma nova linha do aparador para evitar vibrações. Examine outras peças da cabeça do aparador e limpe se necessário.

Aparar a relva

1. Mantenha a cabeça do aparador um pouco acima do solo a um determinado ângulo. Não empurre a linha do aparador para a relva. (Fig. 38)
2. Reduza o comprimento da linha do aparador em 10-12 cm/4-4,75 pol.
3. Reduza a velocidade do motor para diminuir o risco de danos nas plantas.
4. Utilize 80% da aceleração quando cortar relva perto de objetos. (Fig. 39)

Cortar a relva

1. Certifique-se de que a linha do aparador de relva está paralela ao solo quando cortar. (Fig. 40)
2. Não empurre a cabeça do aparador para o solo. Caso contrário, pode causar danos no produto.
3. Desloque o produto de um lado para o outro quando cortar relva. Acelere ao máximo. (Fig. 41)

Limpar a relva com uma lâmina de relva

1. As lâminas e as cortadoras de relva não podem ser utilizadas em caules lenhosos.
2. A lâmina de relva utiliza-se para todos os tipos de relva alta ou espessa.
3. A relva é cortada com um movimento pendular lateral, em que o movimento da direita para a esquerda é a fase de corte e o movimento da esquerda para a direita a fase de retorno. Deixe a lâmina trabalhar com o lado esquerdo (entre as posições correspondentes às 8 e 12 horas dos ponteiros do relógio).
4. Se inclinar a lâmina um pouco para a esquerda ao cortar, a relva acumula-se numa linha, facilitando a recolha, por ex., com o ancinho.
5. Procure trabalhar com ritmo. Apoie-se bem, com os pés afastados. Mova-se para a frente depois do movimento de retorno e volte a apoiar-se bem.
6. Deixe o copo de apoio tocar levemente no solo. Assim protege a lâmina contra o contacto com o solo.
7. Reduza o risco de o material se agarrar à lâmina, trabalhando sempre em aceleração total e evitando a relva já cortada no movimento de retorno.
8. Pare o motor, desaperte o suporte e coloque a máquina no chão antes de recolher o material cortado.

Cabeça do aparador de relva

- Certifique-se de que enrola a linha do aparador de relva com firmeza e igualmente em redor do tambor para reduzir a vibração.
- Utilize apenas as cabeças e as linhas do aparador de relva aprovadas. Consulte o capítulo *Acessórios na página 303*.
- Utilize um comprimento correto da linha do aparador de relva. Uma linha de aparador de relva longa utiliza mais potência do motor do que uma linha de um aparador de relva curta.
- Certifique-se de que o cortador da proteção do acessório de corte não está danificado.
- Embeba a linha do aparador de relva em água durante 2 dias antes de a fixar ao produto. Isso prolonga a vida útil da linha do aparador de relva.

Substituir a linha do aparador

(Fig. 42)
(Fig. 43)
(Fig. 44)
(Fig. 45)
(Fig. 46)
(Fig. 47)
(Fig. 48)
(Fig. 49)

Manutenção

Introdução



ATENÇÃO: Antes de efetuar a manutenção, tem de ler e compreender o capítulo sobre segurança.

É necessária formação especial para realizar qualquer tarefa de manutenção ou reparação. Garantimos a disponibilidade de reparações e manutenção profissionais. Se o seu revendedor não for uma oficina autorizada, pergunte-lhes onde se situa a oficina autorizada mais próxima.

Esquema de manutenção

Controle semanal

- Limpe as superfícies externas.
- Certifique-se de que o equipamento de corte não se desloca ao ralenti. Consulte *Ajustar o ralenti na página 299*.
- Examine o nível de massa lubrificante na engrenagem cônica. Consulte *Adicionar massa lubrificante à engrenagem cônica na página 300*.
- Examine a porca de fixação. Consulte *Examinar a porca de fixação na página 300*.

Manutenção mensal

- Certifique-se de que o punho do cabo de arranque e o cabo de arranque não estão danificados.

Manutenção anual

- Examine a vela de ignição. Consulte *Examinar a vela de ignição na página 300*.
- Limpe as superfícies externas do carburador e áreas adjacentes.
- Limpe o sistema de arrefecimento.
- Examine a rede retentora de faíscas. Consulte *Realizar tarefas de manutenção na rede retentora de faíscas na página 300*.
- Examine o filtro de combustível.
- Certifique-se de que a mangueira de combustível não está danificada.
- Certifique-se de que os cabos e ligações do produto não estão danificados.

Ajustar o ralenti

- Certifique-se de que o filtro de ar está limpo e que a cobertura do filtro de ar está montada antes de ajustar a velocidade de ralenti.
- Ajuste o ralenti com o parafuso em T de ajuste do ralenti, identificado com a marca "T".
- O ralenti está correto se o motor funcionar suavemente em todas as posições. O ralenti tem de

ser inferior à velocidade se o acessório de corte começar a rodar.

1. Rode o parafuso de ajuste do ralenti para a direita até o acessório de corte começar a rodar. (Fig. 50)
2. Rode o parafuso de ajuste do ralenti para a esquerda até o acessório de corte parar.

Realizar tarefas de manutenção na rede retentora de faíscas

Utilize uma escova metálica para limpar a rede retentora de faíscas.
(Fig. 51)

Limpar o sistema de arrefecimento

Limpe as peças do sistema de arrefecimento com uma escova.

(Fig. 52)

Examinar a vela de ignição



CUIDADO: Utilize a vela de ignição recomendada. Certifique-se de que a peça de substituição é idêntica à peça fornecida pelo fabricante. Uma vela de ignição incorreta pode causar danos ao produto.

1. Examine a vela de ignição se:
 - a) o motor estiver com baixa potência.
 - b) for difícil ligar o motor.
 - c) o motor não funcionar corretamente ao ralenti.
2. Se não for fácil ligar ou operar o motor, examine a vela de ignição quanto a materiais indesejados. Para diminuir o risco de materiais indesejados nos eletrodos da vela de ignição:
 - a) certifique-se de que o ralenti está corretamente ajustado.
 - b) certifique-se de que a mistura de combustível está correta.
 - c) certifique-se de que o filtro de ar está limpo.
3. Limpe a vela de ignição se estiver suja. Verifique se a distância entre os eletrodos é a correta. (Fig. 53)
4. Substitua a vela de ignição quando necessário.

Realizar tarefas de manutenção do filtro de ar

Para limpar o filtro de ar

1. Retire a cobertura do filtro de ar e o filtro de ar. (Fig. 54)
2. Limpe o filtro de ar com água quente com sabão. Certifique-se de que o filtro de ar está seco antes de o instalar.

3. Substitua o filtro de ar caso esteja demasiado sujo para o limpar totalmente. Substitua sempre um filtro de ar danificado.
4. Se o seu produto possui um filtro de ar de espuma, aplique óleo do filtro de ar. Aplique apenas óleo do filtro de ar a um filtro de espuma. Não aplique óleo a um filtro de feltro.

Aplicar óleo do filtro de ar ao filtro de ar



CUIDADO: Utilize sempre óleo do filtro de ar especial em filtros de ar de espuma. Não utilize outros tipos de óleo.



ATENÇÃO: Não deixe o óleo entrar em contacto com o seu corpo.

1. Retire a cobertura do filtro de ar e o filtro de ar. (Fig. 55)
2. Coloque o filtro de ar num saco de plástico.
3. Coloque o óleo do filtro de ar no saco de plástico. (Fig. 56)
4. Empurre o saco de plástico para se certificar de que o óleo é fornecido uniformemente através do filtro de ar.
5. Empurre o filtro de ar, enquanto estiver no saco, para remover o óleo do filtro de ar que não seja necessário. Remova o filtro de ar do saco.
6. Instale o filtro de ar.

Adicionar massa lubrificante à engrenagem cônica

Certifique-se de que a engrenagem cônica apresenta 3/4 do volume total de massa lubrificante.

(Fig. 57)

Examinar a porca de fixação



CUIDADO: Substitua a porca de fixação após cada 10.^a utilização.

1. Rode a porca de fixação para a esquerda para a apertar. Rode a porca de fixação para a direita para a remover. (Fig. 58)
2. Certifique-se de que não é possível rodar o revestimento de nylon da porca de fixação com as mãos. O revestimento de nylon tem de fornecer uma resistência mínima de 1,5 Nm/1,1 pés/lb.
3. Se a resistência for inferior ao mínimo, aperte a porca de fixação com um binário de 35-50 Nm/26-36 pés/lb.



CUIDADO: Se apertar demasiado a porca de fixação, pode provocar danos nas roscas.

Para afiar a faca de jardineiro e a lâmina de relva



ATENÇÃO: Desligue o motor. Utilize luvas de protecção.

- Para afiar as facas de jardineiro ou lâminas de relva corretamente, consulte as instruções fornecidas com o equipamento de corte.
- Afie todas as extremidades da mesma forma para manter o equilíbrio.
- Use uma lima plana de picado simples. (Fig. 59)



ATENÇÃO: Deite sempre fora qualquer lâmina que esteja danificada. Não tente endireitar uma lâmina dobrada ou torcida para a utilizar novamente.

Resolução de problemas

O motor não arranca

Verificação	Causa possível	Procedimento
Interruptor de paragem.	O interruptor de paragem está na posição de paragem.	Leve o contacto de paragem à posição de arranque.
Prendedores de arranque.	Os prendedores de arranque não conseguem movimentar-se livremente.	Retire a cobertura do dispositivo de arranque e limpe a área circundante dos prendedores de arranque. Solicite ajuda numa oficina autorizada.
	Depósito de combustível.	Tipo de combustível errado. Drene o depósito de combustível e encha-o com o combustível correto.
Vela de ignição.	A vela de ignição está suja ou molhada.	Certifique-se de que a vela de ignição está seca e limpa.
	A distância entre os eléctrodos da vela de ignição está incorreta.	Limpe a vela de ignição. Certifique-se de que a distância entre os eléctrodos está correta. Certifique-se de que a vela de ignição tem um supressor. Consulte as especificações técnicas para obter informações sobre a distância entre eléctrodos.
	A vela de ignição está solta.	Aperte a vela de ignição.

O motor arranca mas para novamente

Verificação	Causa possível	Procedimento
Depósito de combustível	Tipo de combustível errado.	Esvazie o depósito de combustível e encha-o com o combustível correto.
Filtro de ar	O filtro de ar está obstruído.	Limpe o filtro de ar.

Transporte, armazenamento e eliminação

Transporte e armazenamento

- Deixe o produto arrefecer antes de o transportar ou armazenar.
 - Remova a cobertura da vela de ignição antes do armazenamento a longo prazo.
 - Prenda o produto durante o transporte. Certifique-se de que o produto não se move.
- Certifique-se de que não existe risco de fugas de combustível, vapores de combustível, faíscas ou chamas durante o transporte e armazenamento.
 - Fixe a proteção para transporte durante o transporte e armazenamento.
 - Limpe e efetue a manutenção do produto antes do armazenamento a longo prazo.

Especificações técnicas

Especificações técnicas

	325R A05328CBHV
Motor	
Cilindrada, cm ³	27,6
Velocidade ao ralenti, rpm	2800 - 3200
Rotação em aceleração máxima recomendada, r/min	8000
Energia/Potência máx. do motor de acordo com a ISO 8893, kW/hp @ rpm	0,9/1,2 @ 8000
Silenciador com catalisador	Sim
Velocidade do eixo de saída, rpm	7200
Sistema de ignição	
Vela de ignição	Husqvarna HQT-4
Distância entre os eletrodos, mm	0,5
Sistema de combustível	
Capacidade do depósito de combustível, l/cm ³	0,343/343
Dimensões do produto	
Peso, kg	5,5
Emissões de ruído⁵⁸	
Nível de potência sonora, medido, equipado com lâmina de relva, dB(A)	108
Nível de potência sonora, medido, equipado com cabeça do aparador, dB(A)	110
Nível de potência sonora, garantido (L _{WA}), equipado com lâmina de relva, dB(A)	112
Nível de potência sonora, garantido (L _{WA}), equipado com cabeça do aparador, dB(A)	114

⁵⁸ Emissões de ruído para as imediações, medidas sob forma de potência sonora (L_{WA}) em conformidade com a diretiva da CE 2000/14/CE. O nível de potência sonora registado para o produto foi medido com o equipamento de corte original que debita o nível mais alto. A diferença entre a potência sonora garantida e medida é que a potência sonora garantida inclui também a dispersão no resultado da medição e as variações entre diferentes produtos do mesmo modelo, de acordo com a diretiva 2000/14/CE.

	325R A05328CBHV
Níveis acústicos ⁵⁹	
Nível de pressão sonora no ouvido do operador, equipado com lâmina de relva, dB(A)	96
Nível de pressão sonora no ouvido do operador, equipado com cabeça de aparador, dB(A)	95
Níveis de vibração ⁶⁰	
Nível de vibração equivalente (ahv, eq), equipado com lâmina de relva, punho esquerdo, m/s ²	5,1
Nível de vibração equivalente (ahv, eq), equipado com lâmina de relva, punho direito, m/s ²	5,7
Nível de vibração equivalente (ahv, eq), equipado com cabeça de aparador, punho esquerdo, m/s ²	4,1
Nível de vibração equivalente (ahv, eq), equipado com cabeça de aparador, punho direito, m/s ²	4,9

Acessórios

Acessórios

Acessórios aprovados	Tipo	Proteção do acessório de corte
Eixo roscado	M10L	
Cabeçote de recorte	T35, 2,4 mm	588 11 79-01
Lâmina de relva	Relva 255-4, Ø 250	588 11 79-01

⁵⁹ Os dados registados para o nível de pressão sonora equivalente para o produto têm uma dispersão estatística típica (desvio padrão) de 1 dB(A).

⁶⁰ Os dados comunicados relativamente ao nível de vibração equivalente têm uma dispersão estatística típica (desvio padrão) de 1 m/s².

Declaração CE de conformidade

Conteúdo da declaração de conformidade CE

A Husqvarna AB, SE 561 82 Huskvarna, SUÉCIA, declara, sob sua inteira responsabilidade, que o produto representado:

Descrição	Aparador de relva/roçadora a gasolina
Marca	Husqvarna
Plataforma/Tipo/Modelo	Plataforma A05328CBHV, representando o modelo 325R.
Lote	Número de série referente a 2018 e posteriores.

está em plena conformidade com as seguintes diretivas e regulamentos da UE:

Diretiva/Regulamento	Descrição
2006/42/CE	"relativa a máquinas"
2014/30/UE	"relativa à compatibilidade eletromagnética"
2000/14/CE	"relativa ao ruído exterior"
2011/65/UE	"restrição do uso de determinadas substâncias perigosas"

As normas harmonizadas e/ou especificações técnicas aplicadas são as que se seguem: EN ISO 12100, EN ISO 11806-1, CISPR 12, ISO 14982, EN 50581:2012 .

Em conformidade com a Diretiva 2000/14/CE, Anexo V, os valores de som declarados são indicados na secção de especificações técnicas deste manual e na Declaração de conformidade da CE assinada.

A TÜV Rheinland N.A. executou um controlo voluntário em nome da Husqvarna AB, de modo a fornecer um Certificado de conformidade com a Diretiva 2006/42/CE do Conselho da CE relativa a máquinas.

O certificado, conforme fornecido na Declaração de conformidade da CE assinada, é aplicável a todos os locais de fabrico e países de origem, conforme indicado no produto.

O aparador de relva e/ou a roçadora a gasolina fornecidos estão em conformidade com o exemplo que foi examinado.

CUPRINS

Introducere.....	305	Depanarea.....	316
Siguranță.....	306	Transportul, depozitarea și eliminarea.....	316
Asamblarea.....	311	Date tehnice.....	317
Funcționarea.....	311	Accesorii.....	318
Întreținerea.....	314	Declarație de conformitate CE.....	319

Introducere

Manualul operatorului

Limba originală a acestui manual al operatorului este engleză. Manualele operatorului în alte limbi reprezintă traduceri din limba engleză.

Domeniul de utilizare

Utilizați produsul cu o lamă de tăiat iarba sau un cap de tuns pentru a tăia diferite tipuri de vegetație.

Prezentarea generală a produsului

(Fig. 1)

1. Cap de tuns
2. Capac dispozitiv de ungere
3. Angrenaj conic
4. Apărătoare pentru accesoriul de tăiere
5. Arbore
6. Comutator oprire
7. Pârghie accelerație
8. Element blocare pârghie accelerație
9. Ghidon
10. Clema hamului
11. Carcasă demaror
12. Pipă bujie, bujie
13. Mâner pentru șnurul de pornire
14. Rezervor de combustibil
15. Capac filtru de aer
16. Buton purjor aer
17. Acționare șoc
18. Reglare mâner
19. Fir de accelerație
20. Buton pentru mers în gol rapid
21. Ham
22. Cheie combinată
23. Manualul operatorului
24. Apărătoare pentru transport
25. Cuțit
26. Cupă de susținere
27. Flanșă de susținere
28. Piuliță de blocare

Nota: Reglementările la nivel național pot stabili limite ale funcționării produsului.

29. Disc de antrenare

30. Siguranță

31. Cheie hexagonală

Simbolurile de pe produs

(Fig. 2) **AVERTISMENT!** Acest produs este periculos. Dacă produsul nu este utilizat corect și cu atenție, operatorul sau persoanele din zonă pot suferi vătămări corporale sau deces. Pentru a preveni vătămarea corporală a operatorului sau a persoanelor din zonă, citiți și respectați toate instrucțiunile de siguranță din manualul operatorului.

(Fig. 3) Citiți cu atenție manualul operatorului și asigurați-vă că înțelegeți instrucțiunile înainte de utilizare.

(Fig. 4) Utilizați o cască de protecție în locații unde pot cădea obiecte pe dvs. Utilizați un sistem omologat de protecție a auzului. Utilizați ochelari de protecție omologați.

(Fig. 5) Utilizați mănuși de protecție omologate.

(Fig. 6) Utilizați ghete pentru regim greu de lucru, rezistente la alunecare.

(Fig. 7) Săgețile indică limitele de poziție a mânerului.

(Fig. 8) Produsul poate determina proiectarea de obiecte, ceea ce poate produce vătămări corporale.

- (Fig. 9) Turația maximă a arborelui de ieșire.
- (Fig. 10) Păstrați o distanță de minimum 15 m / 50 ft față de persoane și animale în timpul utilizării produsului.
- (Fig. 11) Risc de recul al lamei dacă echipamentul de tăiere atinge un obiect care nu este tăiat imediat. Produsul poate amputa părți ale corpului. Păstrați o distanță de minimum 15 m / 50 ft față de persoane și animale în timpul utilizării produsului.
- (Fig. 12) Buton purjor.
- (Fig. 13) Șoc.
- (Fig. 14) Feriți-vă toate părțile corpului de suprafețele fierbinți.
- (Fig. 15) Pentru informații despre emisiile de zgomot în mediul înconjurător, consultați Directiva Comunității Europene. Nivelul de emisii al produsului este specificat în capitolul Date tehnice și pe etichetă.
- (Fig. 16) Produsul este în conformitate cu directivele CE aplicabile.
- (Fig. 17) Produsul este în conformitate cu directivele EAC aplicabile.

Plăcuța de identificare afișează seria. **aaaa** este anul producției, **ss** este săptămâna producției, iar **xxxxx** este numărul de serie.

aaaassxxxx

Nota: Alte simboluri/autocolante de pe produs se referă la cerințele de certificare pentru alte zone comerciale.

Răspunderea pentru produs

Conform prevederilor legislației privind răspunderea pentru produs, nu ne asumăm răspunderea pentru daunele cauzate de produsul nostru dacă:

- produsul este reparat necorespunzător.
- produsul este reparat cu piese care nu provin de la producător sau care nu sunt aprobate de acesta.
- produsul are un accesoriu care nu provine de la producător sau care nu este aprobat de acesta.
- produsul nu este reparat la un centru de service omologat sau de o autoritate omologată.

EU V



AVERTISMENT: În urma modificării neautorizate a motorului, este anulată aprobarea de tip UE pentru acest produs.

Siguranță

Definiții privind siguranța

Avertismentele, atenționările și notele sunt utilizate pentru a desemna părți foarte importante din manual.



AVERTISMENT: Se utilizează dacă există risc de vătămare sau de deces pentru operator sau pentru trecători, în cazul în care instrucțiunile din manual nu sunt respectate.



ATENȚIE: Se utilizează dacă există un risc de deteriorare a produsului, a altor materiale sau a zonelor învecinate, dacă instrucțiunile din manual nu sunt respectate.

Nota: Se utilizează pentru a furniza mai multe informații care sunt necesare într-o situație dată.

Siguranță vibrație

Acest produs este destinat doar pentru utilizare ocazională. Utilizarea continuă sau regulată a produsului poate cauza simptomul de „degete albe” sau alte probleme de natură medicală din cauza vibrațiilor. Examinați starea mâinilor și degetelor dacă utilizați produsul în mod continuu sau regulat. Dacă mâinile sau degetele s-au decolorat, vă dor, simțiți furnicăături sau sunt amorțite, încetați lucrul și contactați imediat un medic.

Instrucțiuni generale de siguranță



AVERTISMENT: Înainte de a utiliza produsul, citiți instrucțiunile de avertizare de mai jos.

- Utilizați produsul în mod corespunzător. Vătămările corporale sau decesul constituie un posibil rezultat al utilizării incorecte. Utilizați produsul numai pentru operațiile din acest manual. Nu utilizați produsul pentru alte sarcini.
- Respectați instrucțiunile din acest manual. Respectați simbolurile de siguranță și instrucțiunile de siguranță. Dacă operatorul nu respectă instrucțiunile și simbolurile, pot apărea vătămări corporale, daune materiale sau decese.
- Nu aruncați acest manual. Utilizați instrucțiunile pentru a asambla, a opera și a păstra produsul în stare bună. Utilizați instrucțiunile pentru instalarea corectă a accesoriilor. Utilizați numai accesorii aprobate.
- Nu utilizați un produs deteriorat. Respectați programul de întreținere. Efectuați numai operațiile de întreținere pentru care există instrucțiuni în acest manual. Un centru de service omologat trebuie să execute toate celelalte operații de întreținere.
- Acest manual nu poate include toate situațiile care pot apărea atunci când utilizați produsul. Procedați cu atenție și folosiți-vă simțul practic. Nu operați produsul și nu efectuați operații de întreținere la acesta dacă nu sunteți sigur cu privire la situație. Discutați cu un expert de produs, cu distribuitorul, cu agentul de service sau cu centrul de service omologat pentru informații.
- Deconectați cablul bujiei înainte de a asambla produsul, de a depozita produsul sau de a efectua operații de întreținere.
- Nu utilizați produsul dacă specificația sa inițială se modifică. Nu modificați o componentă a produsului fără aprobarea producătorului. Utilizați numai piese aprobate de producător. Vătămările corporale sau decesul constituie un posibil rezultat al întreținerii incorecte.
- Nu respirați în atmosfera cu vapori emiși de motor. Inhalarea pe termen lung a gazelor de eșapament ale motorului constituie un risc pentru sănătate.
- Nu porniți produsul în interior sau în apropierea unor materiale inflamabile. Gazele de eșapament sunt fierbinți și pot conține scântei care pot declanșa incendii. Un flux de aer insuficient poate cauza vătămare corporală sau deces din cauza asfrierii sau a monoxidului de carbon.
- Când utilizați acest produs motorul generează un câmp electromagnetic. Câmpul electromagnetic poate cauza deteriorarea implanturilor medicale. Discutați cu medicul dvs. și cu producătorul implantului medical înainte de a opera produsul.
- Nu permiteți copiilor să utilizeze produsul. Nu permiteți niciunei persoane care nu cunoaște instrucțiunile să utilizeze produsul.

- Asigurați-vă că monitorizați permanent o persoană cu capacități fizice sau mentale reduse care utilizează produsul. Un adult responsabil trebuie să fie prezent în permanență.
- Încuiați produsul într-o zonă inaccesibilă copiilor și persoanelor neaprobate.
- Produsul poate proiecta obiecte și poate cauza vătămări corporale. Respectați instrucțiunile de siguranță, pentru a reduce pericolul de vătămări corporale sau de deces.
- Nu vă îndepărtați de produs atunci când motorul este pornit.
- În caz de accident, operatorul produsului este responsabil pentru acesta.
- Înainte de a utiliza produsul, asigurați-vă că piesele nu sunt deteriorate.
- Asigurați-vă că vă aflați la minimum 15 m (50 ft) distanță de alte persoane sau animale înainte de utiliza produsul. Asigurați-vă că persoanele din apropiere știu că urmează să utilizați produsul.
- Consultați legislația națională sau locală. Aceasta poate interzice sau poate limita utilizarea produsului în unele situații.
- Nu utilizați produsul atunci când sunteți obosit sau dacă vă aflați sub influența alcoolului, drogurilor sau medicamentelor. Acestea vă pot influența negativ vederea, vigilența, coordonarea mișcărilor sau discernământul.

Instrucțiuni de siguranță pentru asamblare



AVERTISMENT: Înainte de a utiliza produsul, citiți instrucțiunile de avertizare de mai jos.

- Demontați pipa bujiei din bujie înainte de a asambla produsul.
- Utilizați mănuși de protecție omologate.
- Asigurați-vă că asamblați corect capacul și arborele înainte de a porni motorul.
- Discul de antrenare și flanșa de susținere trebuie să se cupleze corect în orificiul de centrare a accesoriului de tăiere. Un accesoriu de tăiere incorect atașat poate cauza vătămare corporală gravă sau decesul operatorului sau al celorlalți.
- Pentru operarea în siguranță a produsului și pentru a preveni vătămarea corporală a operatorului sau a altor persoane, produsul trebuie întotdeauna atașat corect pe ham.

Instrucțiuni de siguranță pentru utilizare



AVERTISMENT: Înainte de a utiliza produsul, citiți instrucțiunile de avertizare de mai jos.

- Înainte de a utiliza produsul, asigurați-vă că este complet asamblat.
- Înainte de a porni produsul, deplasați-l la 3 m / 10 ft distanță de punctul unde ați umplut rezervorul de carburant. Poziționați produsul pe o suprafață plană. Asigurați-vă că accesoriul de tăiere nu atinge solul sau alte obiecte.
- Produsul poate determina proiectarea de obiecte, ceea ce poate conduce la leziuni oculare. Când operați produsul, utilizați întotdeauna ochelari de protecție omologate.
- Fiți atent, copiii se pot apropia de produs, fără știrea dvs., în timpul funcționării.
- Nu utilizați produsul dacă se află persoane în zona de lucru. Opriiți produsul dacă o persoană intră în zona de lucru.
- Asigurați-vă că aveți permanent control asupra produsului.
- Nu utilizați produsul dacă nu puteți primi ajutor în caz de accident. Asigurați-vă întotdeauna că alte persoane știu că veți utiliza produsul, înainte ca dvs. să începeți utilizarea produsului.
- Nu acționați produsul înainte de a vă asigura că nicio persoană și niciun animal nu se află în zona de siguranță.
- Înainte de a începe, eliminați toate materialele nedorite din zona de lucru. Dacă accesoriul de tăiere lovește un obiect, acesta poate fi proiectat și poate cauza vătămări corporale sau deteriorări. Materialele nedorite se pot înfășura în jurul accesoriului de tăiere și pot cauza deteriorări.
- Nu utilizați produsul în condiții meteorologice nefavorabile (ceață, ploaie, vânt puternic, pericol de descărcări electrice sau alte condiții meteo). Vremea nefavorabilă poate conduce la apariția de situații periculoase (de ex. suprafețe alunecoase).
- Asigurați-vă că vă puteți deplasa liber și că puteți lucra într-o poziție stabilă.

(Fig. 18)

- Asigurați-vă că nu puteți cădea în timp ce utilizați produsul. Nu înclinați produsul în timp ce-l utilizați.
- Țineți întotdeauna produsul cu ambele mâini. Țineți produsul pe partea dreaptă a corpului.

(Fig. 19)

- Operați produsul cu accesoriul de tăiere amplasat sub nivelul taliei.
- Dacă acționarea șocului se află în poziția clapetei de șoc la pornirea motorului, accesoriul de tăiere începe să se rotească.
- Nu atingeți angrenajul conic după oprirea motorului. După oprirea motorului, angrenajul conic este fierbinte. Suprafețele fierbinți pot provoca vătămări corporale.
- Opriiți motorul înainte de a muta produsul.
- Nu așezați produsul jos cu motorul pornit.
- Înainte de a elimina materialele nedorite din produs, opriiți motorul și așteptați oprirea accesoriului de tăiere. Lăsați accesoriul de tăiere să se oprească,

înainte ca dvs. sau o persoană care vă ajută să eliminați materialul tăiat.

Echipment de protecție personală



AVERTISMENT: Înainte de a utiliza produsul, citiți instrucțiunile de avertizare de mai jos.

- Utilizați întotdeauna echipamentul individual de protecție atunci când operați produsul. Echipamentul individual de protecție nu elimină pericolul de vătămări corporale. Echipamentul individual de protecție reduce gravitatea vătămării corporale în cazul producerii unui accident.
- În timp ce operați produsul, utilizați întotdeauna ochelari de protecție omologate.
- Nu operați produsul desculț sau cu pantofi decupați. Utilizați întotdeauna ghete pentru regim greu de lucru, rezistente la alunecare.
- Utilizați pantaloni lungi, groși.
- Dacă este necesar, utilizați mănuși de protecție omologate.
- Utilizați o cască dacă există riscul de a vă cădea obiecte în cap.
- În timp ce operați produsul, utilizați întotdeauna protecții pentru ureche omologate. Zgomotul prelungit poate cauza pierderea auzului indusă de zgomot.
- Asigurați-vă că aveți în apropiere o trusă de prim-ajutor.

Dispozitive de siguranță de pe produs



AVERTISMENT: Înainte de a utiliza produsul, citiți instrucțiunile de avertizare de mai jos.

- Nu utilizați un produs cu dispozitive de siguranță deteriorate.
- Verificați regulat dispozitivele de siguranță. Consultați *Prezentarea generală a produsului la pagina 305*.
- Dacă dispozitivele de siguranță sunt defecte, adresați-vă reprezentantului de service Husqvarna.

Element blocare pârghie accelerație

Elementul de blocare a pârghiei de accelerație blochează pârghia de accelerație.

(Fig. 20)

Împingeți elementul de blocare a pârghiei de accelerație (A) pentru a debloca pârghia de accelerație (B). La eliberarea mânerului, elementul de blocare a pârghiei de accelerație și pârghia de accelerație revin la pozițiile inițiale.

1. Asigurați-vă că pârghia de accelerație (B) este blocată la ralanti atunci când eliberați elementul de blocare a pârghiei de accelerație (A).

2. Împingeți elementul de blocare a pârghiei de accelerație (A) și asigurați-vă că revine la poziția inițială atunci când îl eliberați.
3. Împingeți pârghia de accelerație (A) și asigurați-vă că revine la poziția inițială atunci când o eliberați.

Porniți motorul și aplicați-i accelerație maximă. Eliberați pârghia de accelerație și verificați dacă accesoriul de tăiere se oprește. Dacă accesoriul de tăiere se rotește cu accelerația în poziția de ralanti, examinați șurubul de reglare a ralantiului de la carburator.

Buton oprire

Porniți motorul. Asigurați-vă că motorul se oprește atunci când deplasați comutatorul de oprire în poziția de oprire.

(Fig. 21)

Apărătoare pentru accesoriul de tăiere

Apărătoarea accesoriului de tăiere previne proiectarea unui obiect liber în direcția operatorului.

(Fig. 22)

Verificați integritatea apărătoarei accesoriului de tăiere și înlocuiți-o, dacă este deteriorată. Utilizați numai apărătoarea aprobată pentru accesoriul de tăiere.

Eșapamentul

- Nu utilizați un motor cu un amortizor de zgomet deteriorat. Un amortizor de zgomet deteriorat determină creșterea nivelului de zgomet și a pericolului de incendiu. Păstrați un stingător de incendiu în apropiere.
- Verificați cu regularitate ca amortizorul de zgomet să fie atașat la produs.
- Nu atingeți motorul sau amortizorul de zgomet în timp ce motorul este pornit. Nu atingeți motorul sau amortizorul de zgomet pentru o perioadă după oprirea motorului. Zonele fierbinți pot provoca vătămări corporale.
- Un amortizor de zgomet fierbinte poate cauza incendii. Fiți atent dacă utilizați produsul în apropierea lichidelor inflamabile sau a vaporilor.
- Nu atingeți componente ale amortizorului de zgomet dacă acesta este deteriorat. Componentele pot conține materiale carcinogenice.

Piuliță de blocare

Piulița de blocare este utilizată pentru a bloca unele tipuri de accesorii de tăiere.

(Fig. 23)

Atunci când instalați piulița de blocare, strângeți-o în direcția opusă direcției de operare accesoriului de tăiere.

Mecanism eliberare ham



AVERTISMENT: Nu utilizați hamul dacă mecanismul de eliberare este defect. Asigurați-vă că mecanismul de eliberare a hamului funcționează corect atunci când ajustați produsul.

Mecanismul de eliberare a hamului se află pe partea frontală a produsului. Bretelele hamului trebuie să se afle permanent în poziția corectă.

(Fig. 24)

În caz de urgență, mecanismul de eliberare rapidă vă ajută să vă eliberați în siguranță de produs.

Accesoriu de tăiere



AVERTISMENT: Înainte de a utiliza produsul, citiți instrucțiunile de avertizare de mai jos.

- Efectuați întreținerea cu regularitate. Permiteți unui centru de service omologat să examineze cu regularitate accesoriul de tăiere, pentru a efectua reglaje sau reparații.
 - Performanțele accesoriului de tăiere se diminuează.
 - Durata de viață a accesoriului de tăiere crește.
 - Riscul de accidente scade.
- Utilizați numai o apărătoare omologată pentru accesoriul de tăiere. Pentru mai multe informații, consultați *Accesorii la pagina 318*.
- Nu utilizați un accesoriu de tăiere deteriorat.

Lame de tăiat iarba și freze de tăiat iarba

- Utilizați produsul cu o lamă de tăiat iarba aprobată. Nu utilizați o lamă de tăiat iarba fără a instala corespunzător toate piesele necesare. Asigurați-vă că instalarea este efectuată corect și că sunt utilizate piesele corespunzătoare. Instalarea necorespunzătoare poate duce la desprinderea lamei și la vătămarea corporală a operatorului sau a altor persoane aflate în apropiere.
- Purtați mănuși de protecție atunci când manevrați sau efectuați lucrări de întreținere asupra lamei.
- Utilizați un sistem de protecție a capului atunci când operați un produs cu lamă de tăiat iarba.
- Lamele de tăiat iarba și frezele de tăiat iarba sunt utilizate pentru tăierea ierbii aspre.
- O lamă de tăiat iarba poate cauza vătămare corporală atunci când continuă să se învârtă, la oprirea motorului sau la eliberarea pârghiei de accelerație. Asigurați-vă că lama de tăiat iarba s-a oprit complet din rotire înainte de a efectua lucrări de întreținere.
- Opriți motorul înainte de a efectua orice lucrări la accesoriul de tăiere. Asigurați-vă că accesoriul de tăiere se oprește complet. Deconectați conductorul de pe bujie.

- Utilizați doar un accesoriu de tăiere aprobat sau o lamă corect ascuțită.
- Mențineți dinții lamei ascuțiți corect. (Fig. 25)
- Nu utilizați un accesoriu de tăiere deteriorat.
- Atașați apărătoarea pentru transport pe lama de tăiat iarba atunci când transportați sau depozitați produsul.

Recul lamă

- Un recul al lamei este o mișcare bruscă a produsului în lateral, în față sau în spate. Un recul al lamei are loc atunci când lama de tăiat iarba sau lama de ferăstrău lovesc un obiect ce nu poate fi tăiat. În zone în care este dificil să vedeți materialul pe care îl tăiați, riscul de recul al lamei crește.
- Atunci când are loc un recul al lamei, există riscul ca produsul sau operatorul să se miște din poziția lor. O lamă care se mișcă poate lovi persoanele aflate în apropiere și există pericolul de vătămări corporale.
- Dacă o lamă este îndoită, prezintă crăpături, este ruptă sau deteriorată, aruncați-o.
- Utilizați o lamă ascuțită. Riscul apariției reculului lamei crește atunci când o lamă nu este ascuțită.

Reguli de siguranță referitoare la carburant



AVERTISMENT: Înainte de a utiliza produsul, citiți instrucțiunile de avertizare de mai jos.

- Nu amestecați carburantul în interior, sau lângă o sursă de încălzire.
- Nu porniți produsul dacă pe acesta se află carburant sau ulei pentru motor. Îndepărtați carburantul/uleiul nedorit și lăsați produsul să se usuce. Îndepărtați carburantul nedorit din produs.
- Dacă vărsați carburantul pe îmbrăcăminte, schimbați imediat hainele.
- Nu vărsați carburantul pe corp - poate provoca vătămări corporale. Dacă vărsați carburant pe corp, utilizați apă și săpun pentru a elimina carburantul.
- Nu porniți motorul dacă vărsați ulei sau carburant pe produs sau pe corp.
- Nu porniți produsul dacă motorul prezintă scurgeri. Examinați cu regularitate motorul, pentru a identifica eventuale scurgeri.
- Manipulați cu atenție carburantul. Carburantul este inflamabil, vaporii sunt explozivi și pot cauza vătămări corporale sau deces.
- Nu respirați vaporii de carburant, se pot produce vătămări corporale. Asigurați-vă că fluxul de aer este suficient.
- Nu fumați în apropierea carburantului sau a motorului.
- Nu amplasați obiecte calde în apropierea carburantului sau a motorului.

- Nu adăugați carburant atunci când motorul este pornit.
- Asigurați-vă că motorul este rece înainte de a realimenta.
- Înainte de a realimenta, deschideți lent capacul rezervorului de carburant și eliberați cu atenție presiunea.
- Nu adăugați carburant la motor într-o zonă interioară. Un flux de aer insuficient poate cauza vătămare corporală sau deces din cauza asfixierii sau a monoxidului de carbon.
- Strângeți cu atenție capacul rezervorului de carburant; în caz contrar, se pot produce incendii.
- Înainte de a porni, mutați produsul la o distanță de minimum 3 m (10 ft) față de poziția unde ați umplut rezervorul.
- Nu introduceți prea mult carburant în rezervorul de carburant.
- Asigurați-vă că nu se pot produce scurgeri atunci când mutați produsul sau rezervorul de carburant.
- Nu poziționați produsul sau rezervorul de carburant în apropiere a unei flăcări deschise, a scânteilor sau a unei lumini pilot. Asigurați-vă că în zona de depozitare nu se află flăcări deschise.
- Utilizați numai recipiente omologate atunci când mutați carburantul sau îl introduceți în spațiul de depozitare.
- Goliiți rezervorul de carburant înainte de a-l depozita pe termen lung. Respectați legislația locală cu privire la locația de eliminare a carburantului.
- Curățați produsul înainte de depozitarea pe termen lung.
- Îndepărtați cablul bujei înainte de a introduce produsul în spațiul de depozitare, pentru a vă asigura că motorul nu pornește accidental.

Instrucțiuni de siguranță pentru întreținere



AVERTISMENT: Înainte de a efectua lucrări de întreținere asupra produsului, citiți instrucțiunile de avertisment de mai jos.

- Efectuați numai operațiile de întreținere și service indicate în acest manual al operatorului. Lăsați personalul de servicii profesionale să efectueze toate celelalte operații de service și reparații.
- Efectuați periodic verificările de siguranță, instrucțiunile de întreținere și de service indicate în acest manual. Întreținerea periodică crește durata de viață a produsului și scade pericolul de accidente. Consultați *Program de întreținere la pagina 314* pentru instrucțiuni.
- Dacă nu sunt aprobate verificările de siguranță din acest manual al operatorului, după ce efectuați operațiile de întreținere, adresați-vă reprezentantului de service. Vă garantăm că există servicii profesionale de reparații și service disponibile pentru produsul dvs.

Asamblarea

Introducere



AVERTISMENT: Înainte de a asambla produsul, trebuie să citiți și să înțelegeți capitolul privind siguranța.



AVERTISMENT: Demontați cablul de la buje înainte de a asambla produsul.

Pentru a asambla mânerul

1. Scoateți șurubul din spatele mânerului accelerației. (Fig. 26)
2. Culisați mânerul de accelerație către partea dreaptă a mânerului.
3. Aliniați orificiul din spatele mânerului accelerației cu orificiul din mâner.
4. Treceți șurubul prin orificii. Strângeți șurubul.
5. Atașați mânerul între săgețile de pe arbore. Strângeți șurubul. (Fig. 27)

Pentru a atașa clema hamului

1. Poziționați clema pentru ham pe arbore cu bucla clemei pentru ham în sus. Poziționați clema pentru ham deasupra săgeților de pe arbore.
2. Poziționați firul accelerației în canelura clemei inferioare pentru ham.
3. Aliniați orificiile pentru șuruburi ale clemei pentru ham.
4. Atașați 2 șuruburi în orificiile pentru șuruburi.
5. Strângeți șuruburile.

Pentru asamblarea accesoriului de tăiere

Pentru asamblarea apărătoarei accesoriului de tăiere

1. Poziționați apărătoarea accesoriului de tăiere (A) pe arbore. (Fig. 28)

2. Poziționați consola (B) în fanta de pe apărătoarea accesoriului de tăiere.
3. Atașați șurubul (C) la apărătoarea accesoriului de tăiere prin orificiul de pe consolă.

Pentru a asambla lama de tăiat iarbă

1. Asigurați-vă că apărătoarea accesoriului de tăiere (A) este atașată la produs. Consultați *Pentru asamblarea apărătoarei accesoriului de tăiere la pagina 311*. (Fig. 29)
2. Introduceți siguranța (B) în orificiul pentru a bloca arborele.
3. Poziționați lama (E), cupa de susținere (F) și flanșa de susținere (G) pe arborele de ieșire (D).
4. Asigurați-vă că discul de antrenare (C) se cuplează corect în orificiul de centrare a lamei de tăiat iarbă. (Fig. 30)
5. Poziționați piulița de blocare (H) pe arborele de ieșire. Mențineți arborele cheii combinate lângă apărătoarea accesoriului de tăiere. Rotiți cheia combinată în sens contrar acelor de ceasornic pentru a strânge piulița de blocare. Strângeți piulița de blocare până la un cuplu de 35-50 Nm / 26-36 ft/lb.
6. Demontați siguranța.

Pentru a atașa capul de tuns

1. Asigurați-vă că apărătoarea accesoriului de tăiere (A) este atașată la produs. Consultați *Pentru asamblarea apărătoarei accesoriului de tăiere la pagina 311*. (Fig. 31)
2. Asigurați-vă că discul de antrenare (C) este atașat la arborele de ieșire (D).
3. Introduceți siguranța (B) în orificiul pentru a bloca arborele.
4. Poziționați capul de tuns (E) pe arborele de ieșire.
5. Rotiți capul de tuns în sens contrar acelor de ceasornic pentru a-l strânge de arborele de ieșire. (Fig. 32)
6. Demontați siguranța.

Funcționarea

Introducere



AVERTISMENT: Înainte de a utiliza produsul, trebuie să citiți și să înțelegeți capitolul privind siguranța.



ATENȚIE: Tipul incorect de carburant poate deteriora motorul. Utilizați un amestec de benzină și de ulei pentru motoare în doi timpi.

Carburant

Acest produs dispune de motor în doi timpi.

Carburant preamestecat

- Utilizați carburantul alchilat preamestecat Husqvarna de bună calitate, pentru cele mai bune performanțe

și prelungirea duratei de viață a motorului. Acest carburant conține substanțe chimice mai puțin nocive în comparație cu carburantul obișnuit, ceea ce reduce nivelul gazelor de eșapament nocive. Cantitatea de resturi după ardere este mai mică în cazul acestui carburant, care păstrează componentele motorului mai curate.

Pentru amestecarea carburantului

Benzină



ATENȚIE: Nu utilizați benzină cu o cifră octanică mai mică de 90 RON (87 AKI). Aceasta poate deteriora produsul.



ATENȚIE: Nu utilizați benzină cu o concentrație de etanol de peste 10% (E10). Aceasta poate deteriora produsul.

- Utilizați întotdeauna benzină fără plumb, cu o cifră octanică minimă de 90 RON (87 AKI) și cu o concentrație de etanol sub 10% (E10).
- Utilizați benzină cu o cifră octanică mai mare dacă utilizați frecvent produsul în mod continuu, la o turație de motor ridicată.

Ulei pentru motoare în doi timpi

- Pentru cele mai bune rezultate și performanțe, utilizați uleiul pentru motoare în doi timpi Husqvarna.
- Dacă uleiul Husqvarna pentru motoare în doi timpi nu este disponibil, utilizați un ulei pentru motoare în doi timpi de bună calitate pentru motoare răcite cu aer. Adresați-vă reprezentantului dvs. de service pentru a alege uleiul corect.



ATENȚIE: Nu utilizați ulei pentru motoare în doi timpi răcit pentru motoarele externe răcite cu apă, numit și ulei pentru motoare externe. Nu folosiți ulei pentru motoare în patru timpi.

Amestecarea benzinei cu ulei pentru motoare în doi timpi

Benzină, litru	Ulei pentru motoare în doi timpi, litru
	2% (50:1)
5	0,10
10	0,20
15	0,30
20	0,40



ATENȚIE: Micile erori pot să influențeze drastic raportul amestecului atunci când amestecați cantități mici de carburant. Măsurați cu grijă cantitatea de ulei și asigurați-vă că obțineți amestecul corect.

(Fig. 33)

1. Umpleți jumătate din cantitatea de benzină într-un recipient curat pentru combustibil.
2. Adăugați cantitatea completă de ulei.
3. Agitați amestecul.
4. Adăugați în recipient cantitatea de benzină rămasă.
5. Agitați cu grijă amestecul.



ATENȚIE: Nu amestecați carburantul pentru mai mult de 1 lună la un moment dat.

Pentru adăugarea de carburant

- Utilizați întotdeauna un rezervor de carburant cu supapă antivărsare.
- Dacă a rămas combustibil în recipient, îndepărtați carburantul nedorit și lăsați recipientul să se usuce.
- Asigurați-vă că zona din apropierea capacului rezervorului de carburant este curată.
- Scuturați rezervorul de carburant înainte de a adăuga amestecul în acesta.

Pentru a efectua un rodaj

- În timpul primelor 10 ore de lucru, nu aplicați accelerație maximă fără sarcină pe perioade extinse.

Pentru pornire și oprire

Pentru examinarea înainte de pornire

1. Asigurați-vă că produsul nu are piese lipsă, deteriorate, slăbite sau uzate.
2. Asigurați-vă că piulițele, șuruburile și bolțurile sunt strânse.
3. Asigurați-vă că lamele sau capul de tuns nu sunt deteriorate.
4. Asigurați-vă că piulița de blocare este strânsă. Consultați *Pentru a examina piulița de blocare la pagina 315*.
5. Asigurați-vă că filtrul de aer nu este înfundat.
6. Asigurați-vă că dispozitivele de siguranță de pe produs nu sunt defecte.
7. Asigurați-vă că produsul nu are scurgeri de carburant.

Pentru a regla hamul



AVERTISMENT: Produsul trebuie să fie întotdeauna atașat corect pe ham. Nu utilizați un ham defect.

1. Puneți hamul pe umăr.
2. Conectați produsul la ham.
3. Reglați hamul pentru cea mai bună poziție de lucru.
4. Reglați bretelele laterale pentru ca produsul să exercite o presiune egală pe ambii umeri. (Fig. 34)
5. Reglați hamul până când accesoriul de tăiere este paralel cu solul.
6. Lăsați accesoriul de tăiere să atingă ușor solul. Reglați clema hamului pentru a echilibra corect produsul.

Nota: Dacă utilizați o lamă de tăiat iarbă, aceasta trebuie echilibrată la aproximativ 10 cm / 4 inch de sol.

Pentru pornirea unui motor rece

1. Apăsați butonul purjor de 10 ori. (Fig. 35)
2. Trageți în sus acționarea șocului. (Fig. 36)
3. Țineți corpul produsului pe sol, cu mâna stângă. (Fig. 37) Nu călcați pe produs. Trageți încet de mânerul șnurului de pornire, până când simiți o oarecare rezistență. Apoi, trageți puternic mânerul șnurului de pornire.

Nota: Nu trageți pârghia de accelerație în timp ce porniți motorul.

4. Continuați să trageți de mânerul șnurului de pornire până când motorul pornește sau încearcă să pornească (max. 3 trageri). Dacă motorul pornește sau încearcă să pornească, împingeți în jos acționarea șocului. Continuați să trageți până la pornirea motorului. Așteptați 60 de secunde după pornire înainte de a trage de pârghia de accelerație.



ATENȚIE: Nu trageți de șnurul de pornire înainte de oprirea acestuia. Nu eliberați șnurul de pornire când acesta este complet extins. Eliberați lent șnurul de pornire. Nerespectarea acestor instrucțiuni poate cauza deteriorarea motorului.

Pentru pornirea unui motor cald

1. Apăsați butonul purjor de 10 ori.
2. Trageți de șnurul de pornire până la pornirea motorului.

Pentru a porni motorul când carburantul este prea fierbinte

Dacă produsul nu pornește, carburantul poate fi prea fierbinte.

Nota: Utilizați întotdeauna carburant nou și reduceți timpul de funcționare pe vreme caldă.

1. Puneți produsul într-o zonă rece, departe de lumina solară directă.

2. Lăsați produsul să se răcească pentru minimum 20 de minute.
3. Apăsați din nou purjorul timp de 10-15 secunde.
4. Respectați procedura de pornire a unui motor rece. Consultați *Pentru pornirea unui motor rece la pagina 313*.

Pentru oprire

- Apăsați pe comutatorul de oprire pentru a opri motorul. (Fig. 21)

Nota: Comutatorul de oprire revine automat la poziția inițială.

Pentru utilizarea trimmerului de iarbă



ATENȚIE: Asigurați-vă că motorul încetinește până la turația de mers în gol după fiecare utilizare. O perioadă îndelungată de accelerație maximă fără sarcină la motor poate deteriora motorul.

Nota: Curățați capacul capului de tuns atunci când montați un fir de trimmer nou, pentru a preveni vibrațiile. Examinați alte componente ale capului de tuns și curățați-le dacă este necesar.

Pentru a tunde iarba

1. Țineți capul de tuns chiar deasupra solului, în poziție înclinată. Nu împingeți firul trimmerului în iarbă. (Fig. 38)
2. Reduceți lungimea firului trimmerului cu 10-12 cm / 4-4,75 inch.
3. Reduceți turația motorului pentru a reduce riscul deteriorării plantelor.
4. Utilizați accelerația la 80 % când tundeți iarbă în apropierea unor obiecte. (Fig. 39)

Pentru a tăia iarba

1. Când tăiați iarba, asigurați-vă că firul pentru iarbă al trimmerului este paralel cu solul. (Fig. 40)
2. Nu împingeți capul de tuns în sol. Acest lucru poate deteriora produsul
3. Mișcați produsul dintr-o parte în alta când tăiați iarba. Utilizați accelerație maximă. (Fig. 41)

Pentru a curăța iarba cu o lamă de tăiat iarbă

1. Lamele de tăiat iarbă și frezele de tăiere a ierbii nu trebuie utilizate pe tulpini lemnoase.
2. Lama de tăiat iarba este utilizată pentru toate tipurile de iarbă înaltă sau aspră.
3. Iarba este tăiată cu o mișcare laterală, de balansare, unde mișcarea de la dreapta la stânga este cursa de

curățare, iar mișcarea de la stânga la dreapta este cursa de retur. Lăsați latura din partea stângă a lamei (între ora 8 și ora 12) să efectueze tăierea.

4. Dacă lama este înclinată spre stânga atunci când curăță iarba, aceasta se va colecta pe un rând, ceea ce o face ușor de colectat, de ex. prin greblare.
5. Încercați să lucrați ritmic. Stați în picioare într-o poziție fermă, cu picioarele depărtate. Deplasați-vă înainte după cursa de retur și stați din nou în picioare într-o poziție fermă.
6. Lăsați cupa de susținere să se sprijine ușor pe sol. Se utilizează pentru a nu permite lamei să intre în contact cu solul.
7. Reduceți riscul ca materialul să se înfășoare în jurul lamei lucrând întotdeauna la accelerație maximă și evitând materialul tăiat anterior la cursa de retur.
8. Oprii motorul, desfaceți hamul și așezați aparatul pe sol înainte de a începe să colectați materialul tăiat.

Cap de tuns iarbă

- Asigurați-vă că înfășurați strâns și în mod uniform firul de trimmer pentru iarbă în jurul tamburului, pentru reducerea vibrațiilor.

- Utilizați numai capete de tuns iarbă și fire de trimmer pentru iarbă omologate. Consultați *Accesorii la pagina 318*.
- Utilizați o lungime corectă a firului trimmerului de iarbă. Un fir de trimmer de iarbă lung utilizează mai multă putere a motorului decât un fir scurt.
- Asigurați-vă că freza de pe apătoarea accesoriului de tăiere nu este deteriorată.
- Înmuiați firul de trimmer de iarbă în apă timp de 2 zile, înainte de a-l monta la produs. Aceasta determină o creștere a duratei de utilizare a firului de trimmer de iarbă.

Pentru a înlocui firul trimmerului

(Fig. 42)

(Fig. 43)

(Fig. 44)

(Fig. 45)

(Fig. 46)

(Fig. 47)

(Fig. 48)

(Fig. 49)

Întreținerea

Introducere



AVERTISMENT: Înainte de a efectua orice operații de întreținere, citiți și înțelegeți capitolul privind siguranța.

Toate lucrările de service și de reparații la produs necesită instruire specială. Garantăm disponibilitatea unor lucrări profesionale de reparații și service. Dacă distribuitorul dvs. nu este agent de service, solicitați acestuia informații cu privire la cel mai apropiat agent de service.

Program de întreținere

Întreținerea săptămânală

- Curățați suprafețele exterioare.
- Verificați ca accesoriul de tăiere să nu se miște când funcționează la turație de mers în gol. Consultați *Pentru reglarea turației de mers în gol la pagina 314*.
- Examinați nivelul de iarbă din angrenajul conic. Consultați *Pentru a adăuga unsoare la angrenajul conic la pagina 315*.
- Examinați piulița de blocare. Consultați *Pentru a examina piulița de blocare la pagina 315*.

Întreținerea lunară

- Asigurați-vă că mânerul șnurului de pornire și șnurul de pornire nu sunt deteriorate.

Întreținerea anuală

- Verificați bujia. Consultați *Pentru a verifica bujia la pagina 315*.
- Curățați suprafețele exterioare ale carburatorului și zonele adiacente ale acesteia.
- Curățați sistemul de răcire.
- Verificați ecranul extincătorului de scântei. Consultați *Pentru a efectua operații de întreținere la ecranul extincătorului de scântei la pagina 315*.
- Examinați filtrul de carburant.
- Asigurați-vă că furtunul pentru carburant nu este deteriorat.
- Asigurați-vă că nu există deteriorări ale cablurilor și conexiunilor produsului.

Pentru reglarea turației de mers în gol

- Asigurați-vă că filtrul de aer este curat și că s-a executat montarea capacului filtrului de aer, înainte de a regla turația de mers în gol.
 - Reglați turația de mers în gol cu șurubul de reglare T, care este identificat cu marcajul „T”.
 - Turația de mers în gol este corectă când motorul funcționează uniform în toate pozițiile. Turația de mers în gol trebuie să fie sub valoarea la care accesoriul de tăiere începe să se rotească.
1. Rotiți șurubul de reglare a turației de mers în gol în sensul acelor de ceasornic, până când accesoriul de tăiere începe să se rotească. (Fig. 50)

2. Rotiți șurubul de reglare a turației de mers în gol în sens contrar acelor de ceasornic până când accesoriul de tăiere se oprește.

Pentru a efectua operații de întreținere la ecranul extingtorului de scânteie

Utilizați o perie de sârmă, pentru a curăța ecranul extingtorului de scânteie.
(Fig. 51)

Pentru a curăța sistemul de răcire

Curățați componentele sistemului de răcire cu o perie.
(Fig. 52)

Pentru a verifica bujia



ATENȚIE: Utilizați o bujie recomandată. Asigurați-vă că piesa de schimb coincide cu piesa recomandată de producător. O bujie incorectă poate cauza deteriorarea produsului.

1. Verificați bujia când:
 - a) puterea motorului este scăzută.
 - b) motorul pornește cu dificultate.
 - c) motorul nu funcționează corect la turația de mers în gol.
2. Dacă motorul pornește sau funcționează cu dificultate, verificați dacă bujia nu prezintă materiale nedorite. Pentru a reduce riscul prezenței materialelor nedorite la electrozii bujiei:
 - a) asigurați-vă că turația de mers în gol este reglată corect.
 - b) asigurați-vă că amestecul este corect.
 - c) asigurați-vă că filtrul de aer este curat.
3. Curățați bujia dacă este murdară. Verificați dacă apărătoarea electrozului este corectă. (Fig. 53)
4. Înlocuiți bujia atunci când este necesar.

Pentru a efectua întreținerea filtrului de aer

Pentru a curăța filtrul de aer

1. Îndepărtați capacul filtrului de aer și scoateți filtrul de aer. (Fig. 54)
2. Curățați filtrul de aer, folosind apă caldă cu săpun. Asigurați-vă că filtrul de aer este uscat, înainte de a-l instala.
3. Înlocuiți filtrul de aer dacă este prea murdar pentru a fi curățat în totalitate. Înlocuiți întotdeauna un filtru de aer deteriorat.
4. Dacă produsul dvs. dispune de un filtru de aer cu spumă, aplicați ulei pentru filtre de aer. Aplicați ulei

pentru filtre de aer numai la un filtru cu spumă. Nu aplicați ulei pe un filtru din pâslă.

Pentru a aplica ulei pentru filtre de aer la filtrul de aer



ATENȚIE: Utilizați întotdeauna ulei special pentru filtre de aer la filtrele cu spumă. Nu utilizați alte tipuri de ulei.



AVERTISMENT: Nu lăsați uleiul să intre în contact cu corpul.

1. Îndepărtați capacul filtrului de aer și scoateți filtrul de aer. (Fig. 55)
2. Introduceți filtrul de aer într-un recipient din plastic.
3. Introduceți uleiul pentru filtre de aer în recipientul din plastic. (Fig. 56)
4. Apăsăți pe recipientul de plastic pentru a vă asigura că uleiul se distribuie egal pe filtrul de aer.
5. Apăsăți filtrul de aer aflat în recipient pentru a elimina uleiul pentru filtru de aer care nu este necesar. Scoateți filtrul de aer din recipient.
6. Instalați filtrul de aer.

Pentru a adăuga unsoare la angrenajul conic

Verificați ca angrenajul conic să fie umplut în proporție de 3/4 cu unsoare pentru angrenaje conice.

(Fig. 57)

Pentru a examina piulița de blocare



ATENȚIE: Înlocuiți piulița de blocare după fiecare a 10-a utilizare.

1. Rotiți piulița de blocare în sens contrar acelor de ceasornic pentru a o strânge. Rotiți piulița de blocare în sensul acelor de ceasornic pentru a o demonta. (Fig. 58)
2. Asigurați-vă că dublura din nailon a piuliței de blocare nu poate fi rotită cu mâna. Dublura din nailon trebuie să opună o rezistență de cel puțin 1,5 Nm / 1,1 ft lb.
3. Strângeți piulița de blocare la 35-50 Nm / 26-36 ft/lb, dacă rezistența este sub minim.



ATENȚIE: Dacă strângeți piulița de blocare prea mult, acest lucru poate cauza deteriorarea filetelor.

Pentru a ascuți cuțitul pentru iarbă și lama de tăiat iarbă



AVERTISMENT: Opriți motorul. Utilizați mănuși de protecție.

- Pentru a ascuți în mod corect cuțitul pentru iarbă sau lama de tăiat iarbă, consultați instrucțiunile aferente accesoriului de tăiere.

- Ascuțiți în mod egal toate muchiile, pentru a asigura echilibrul.
- Utilizați o pilă plată, cu danturare simplă. (Fig. 59)



AVERTISMENT: Eliminați întotdeauna o lamă deteriorată. Nu încercați să îndreptați o lamă îndoită sau răsucită și să o refolosiți.

Depanarea

Motorul nu pornește

Verificați	Cauza posibilă	Procedură
Comutator de oprire.	Comutatorul de oprire este în poziția oprit.	Setați comutatorul de oprire în poziția de pornire.
Clichete de pornire.	Clichetele de pornire nu se mișcă liber.	Scoateți capacul demarorului și curățați în jurul clichetelor de pornire. Contactați un agent de service autorizat.
Rezervor de carburant.	Tip de carburant incorect.	Goliți rezervorul de carburant și umpleți cu carburantul corect.
Bujie.	Bujia este murdară sau udă.	Asigurați-vă că bujia este uscată și curată.
	Distanța dintre electrozii bujiei este incorectă.	Curățați bujia. Asigurați-vă că apărătoria electrodului este corectă. Asigurați-vă că bujia este prevăzută cu un descărcător. Consultați fișa cu date tehnice pentru distanța corectă între electrozi.
	Bujia este slăbită.	Strângeți bujia.

Motorul pornește, dar se oprește din nou

Verificați	Cauza posibilă	Procedură
Rezervor de carburant	Tip de carburant incorect.	Goliți rezervorul de carburant și umpleți-l cu carburantul corect.
Filtru de aer	Filtrul de aer este înfundat.	Curățați filtrul de aer.

Transportul, depozitarea și eliminarea

Transportul și depozitarea

- Lăsați produsul să se răcească înainte de transport sau depozitare.

- Scoateți pipa bujiei înainte de a o depozita pe termen lung.

- Fixați produsul în timpul transportului. Asigurați-vă că acesta nu se poate mișca.
- Asigurați-vă că nu există risc de scurgeri de carburant, aburi de carburant, scântei sau flăcări pe durata transportului și a depozitării.
- Montați apărătoarea pentru transport pe durata transportului și a depozitării.
- Curățați produsul și efectuați operațiile de service la acesta înainte de depozitarea pe termen lung.

Date tehnice

Date tehnice

	325R A05328CBHV
Motor	
Cilindree, cm ³	27,6
Turație de mers în gol, rot/min	2800 - 3200
Turația max. recomandată, rot/min	8000
Putere / leșire max. a motorului, conf. ISO 8893, kW/cp la rot/min	0,9/1,2 la 8000
Amortizor de zgomot al convertorului catalitic	Da
Turația arborelui de ieșire, rot/min	7200
Sistem de aprindere	
Bujie	Husqvarna HQT-4
Distanță între electrozi, mm	0,5
Sistemul de alimentare cu carburant	
Capacitate rezervor de combustibil, l/cm ³	0,343/343
Dimensiuni produs	
Greutate, kg	5,5
Emisii de zgomot⁶¹	
Nivel de putere a zgomotului, măsurat, echipată cu lamă de tăiat iarba, dB(A)	108
Nivel de putere a zgomotului, măsurat, echipată cu cap de tuns, dB(A)	110
Nivel de putere a zgomotului, garantat (L _{WA}), echipată cu lamă de tăiat iarba, dB(A)	112
Nivel de putere zgomotului, garantat (L _{WA}), echipată cu capul de tuns, dB(A)	114
Niveluri de zgomot⁶²	
Nivel de presiune sonoră la nivelul urechii operatorului, echipată cu lamă de tăiat iarba, dB(A)	96

⁶¹ Emisiile de zgomot în mediu măsurate ca putere acustică (L_{WA}) în conformitate cu directiva CE 2000/14/CE. Nivelul de putere a zgomotului raportat pentru produs a fost măsurat cu accesoriul original de tăiere care emite cel mai ridicat nivel. Diferența dintre puterea garantată a zgomotului și cea măsurată este aceea că puterea garantată a zgomotului include, de asemenea, dispersia în rezultatul de măsurare și variațiile dintre diferitele produse ale aceluiași model conform Directivei 2000/14/CE.

⁶² Datele raportate pentru nivelul echivalent de presiune a zgomotului pentru produs prezintă o dispersie statistică tipică (abatere standard) de 1 dB (A).

	325R A05328CBHV
Nivel de presiune sonoră la nivelul urechii operatorului, echipată cu cap de tuns, dB(A)	95
Niveluri de vibrații⁶³	
Nivel de vibrații echivalent (ahv, eq), echipată cu lamă de tăiat iarba, mânerul din stânga, m/s ²	5,1
Nivel de vibrații echivalent (ahv, eq), echipată cu lamă de tăiat iarba, mânerul din dreapta, m/s ²	5,7
Nivel de vibrații echivalent (ahv, eq), echipată cu cap de tuns, mânerul din stânga, m/s ²	4,1
Nivel de vibrații echivalent (ahv, eq), echipată cu cap de tuns, mânerul din dreapta, m/s ²	4,9

Accesorii

Accesorii

Accesorii aprobate	Tip	Apărătoare pentru accesoriul de tăiere
Arbore filetat	M10L	
Cap de tuns	T35, 2,4 mm	588 11 79-01
Lamă de tăiat iarba	iarbă 255-4, Ø 250	588 11 79-01

⁶³ Datele raportate pentru nivelul echivalent de vibrații includ o dispersie statistică tipică (abatere standard) de 1 m/s².

Declarație de conformitate CE

Conținutul declarației de conformitate CE

Noi, Husqvarna AB, SE 561 82 Huskvarna, SUECIA, declarăm pe propria răspundere că produsul reprezentat:

Descriere	Trimmer/Motounealtă pentru iarbă, pe benzină
Marcă	Husqvarna
Platformă / Tip / Model	Platforma A05328CBHV, reprezentând modelul 325R.
Lot	Serie cu data 2018 și în continuare.

respectă în totalitate următoarele directive și reglementări UE:

Directivă/Reglementare	Descriere
2006/42/CE	„afereută utilajelor”
2014/30/UE	„afereută compatibilității electromagnetice”
2000/14/CE	„afereută zgomotului exterior”
2011/65/UE	„restricționarea utilizării anumitor substanțe periculoase”

Standardele armonizate și/sau specificațiile tehnice aplicate sunt următoarele: EN ISO 12100, EN ISO 11806-1, CISPR 12, ISO 14982, EN 50581:2012.

În conformitate cu directiva 2000/14/CE, Anexa V, valorile sonore declarate sunt declarate în secțiunea Date tehnice a prezentului manual și în Declarația de conformitate CE semnată.

TÜV Rheinland N.A. a efectuat o examinare voluntară în numele Husqvarna AB, eliberând un certificat de conformitate cu directiva Consiliului CE 2006/42/CE privind utilajele.

Certificatul, furnizat în Declarația de conformitate CE semnată, se aplică pentru toate locațiile de fabricație și pentru toate țările de proveniență indicate pe produs.

Trimmerul / motounealta pe benzină pentru iarbă furnizat corespunde exemplului examinat.

Содержание

Введение.....	320	Поиск и устранение неисправностей.....	332
Безопасность.....	322	Транспортировка, хранение и утилизация.....	333
Сборка.....	327	Технические данные.....	333
Эксплуатация.....	327	Принадлежности.....	335
Техническое обслуживание.....	330	Декларация соответствия ЕС.....	336

Введение

Руководство по эксплуатации

Исходный текст данного руководства по работе составлен на английском языке. Руководства по работе на других языках являются переводами с английского.

Назначение

Изделие предназначено для использования с лезвием для травы или головкой триммера для скашивания различных типов растительности.

Обзор изделия

(Рис. 1)

1. Головка триммера
2. Пробка отверстия для заправки консистентной смазки
3. Угловая зубчатая передача
4. Щиток режущего оборудования
5. Штанга
6. Выключатель
7. Дроссельный регулятор
8. Стопор дроссельного регулятора
9. Рукоятка
10. Фиксатор подвески
11. Кожух стартера
12. Колпачок свечи зажигания, свеча зажигания
13. Ручка шнура стартера
14. Топливный бак
15. Крышка воздушного фильтра
16. Груша нагнетателя
17. Заслонка
18. Регулировка рукоятки
19. Трос дросселя
20. Кнопка быстрого холостого хода
21. Подвеска
22. Комбинированный ключ
23. Руководство по эксплуатации
24. Транспортировочный щиток
25. Нож
26. Опорный колпак

Примечание: Государственные нормативы могут накладывать ограничения на эксплуатацию данного изделия.

27. Опорный фланец
28. Контргайка
29. Ведущий диск
30. Стопорный штифт
31. Шестигранный ключ

Условные обозначения на изделии

(Рис. 2) **ПРЕДУПРЕЖДЕНИЕ!** Данное изделие является опасным инструментом. Небрежная или неправильная эксплуатация может привести к травме или смерти оператора или посторонних наблюдателей. Во избежание травм оператора или посторонних наблюдателей прочитайте и соблюдайте все инструкции по безопасности, приведенные в руководстве по эксплуатации.

(Рис. 3) Перед началом работы внимательно прочитайте руководство по эксплуатации и убедитесь, что понимаете приведенные здесь инструкции.

(Рис. 4) Используйте защитный шлем в тех местах, где существует вероятность падения предметов. Всегда пользуйтесь защитными наушниками. Пользуйтесь проверенными средствами защиты глаз.

- (Рис. 5) Используйте проверенные защитные перчатки.
- (Рис. 6) Надевайте прочные нескользкие ботинки.
- (Рис. 7) Стрелками показаны границы расположения рукоятки.
- (Рис. 8) Изделие может отбрасывать предметы, что может стать причиной травмы.
- (Рис. 9) Максимальная частота вращения выходного вала.
- (Рис. 10) Посторонние лица и животные должны находиться на расстоянии не менее 15 м (50 футов) от работающего инструмента.
- (Рис. 11) Риск отскакивания ножа, если режущее оборудование касается предмета, который не разрезается мгновенно. При работе с изделием существует риск пореза частей тела. Посторонние лица и животные должны находиться на расстоянии не менее 15 м (50 футов) от работающего инструмента.
- (Рис. 12) Груша нагнетателя.
- (Рис. 13) Воздушная заслонка.
- (Рис. 14) Держите части тела вдали от нагретых поверхностей изделия.
- (Рис. 15) Уровень излучения шума в окружающую среду соответствует директиве ЕС. Звуковое излучение данного изделия приведено в разделе "Технические данные" и на паспортной табличке.
- (Рис. 16) Изделие соответствует действующим директивам ЕС.
- (Рис. 17) Изделие соответствует действующим директивам ЕАС.

На паспортной табличке указан серийный номер.
уууу обозначает год выпуска, **ww** — неделю производства, а **ххххх** — серийный номер.

ууууwwххххх

Примечание: Остальные символы/этикетки на изделии отвечают требованиям, предъявляемым к сертификации в других коммерческих зонах.

Ответственность изготовителя

В соответствии с законами об ответственности изготовителя мы не несем ответственности за ущерб, вызванный эксплуатацией нашего изделия в результате:

- ненадлежащего ремонта изделия;
- использования для ремонта изделия неоригинальных деталей или деталей, одобренных производителем;
- использования неоригинальных дополнительных принадлежностей или не одобренных производителем;
- ремонта изделия в неавторизованном сервисном центре или не квалифицированным специалистом.

ЕС V



ПРЕДУПРЕЖДЕНИЕ: В случае вмешательства в работу двигателя данное изделие перестанет соответствовать нормативам ЕС.

Инструкции по технике безопасности

Предупреждения, предостережения и примечания используются для выделения особо важных пунктов руководства.



ПРЕДУПРЕЖДЕНИЕ: Используется, когда несоблюдение инструкций руководства может привести к травмам или смерти оператора или находящихся рядом посторонних лиц.



ВНИМАНИЕ: Используется, когда несоблюдение инструкций руководства может привести к повреждению изделия, других материалов или прилегающей территории.

Примечание: Используется для предоставления дополнительных сведений о конкретной ситуации.

Техника безопасности в отношении вибрации

Данное изделие предназначено только для периодического использования. Непрерывная или регулярная эксплуатация изделия может привести к «синдрому белых пальцев» или аналогичным заболеваниям, вызванным воздействием вибрации. При продолжительном или регулярном использовании изделия периодически проверяйте состояние своих ладоней и пальцев. При обнаружении таких симптомов, как изменение цвета кожи, боль в ладонях или пальцах, покалывание или потеря чувствительности, немедленно прекратите работу и обратитесь за медицинской помощью.

Общие инструкции по технике безопасности



ПРЕДУПРЕЖДЕНИЕ: В обязательном порядке прочитайте следующие инструкции по технике безопасности, прежде чем приступать к эксплуатации изделия.

- Пользуйтесь изделием правильно. Неправильное использование может привести к травме или смертельному исходу. Изделие предназначено только для выполнения работ, описанных в данном руководстве. Запрещается использовать изделие для других видов работ.
- Соблюдайте инструкции, изложенные в данном руководстве. Обращайте внимание на знаки безопасности и следуйте инструкциям по технике

безопасности. Несоблюдение оператором инструкций и знаков может привести к травме, повреждениям или смерти.

- Не выбрасывайте это руководство. Следуйте инструкциям по сборке, эксплуатации и уходу за изделием. Используйте эти инструкции для правильной установки насадок и дополнительных принадлежностей. Используйте только апробированные насадки и аксессуары.
- Не используйте поврежденное изделие. Соблюдайте график техобслуживания. Выполняйте самостоятельно только те работы по техобслуживанию, которые описаны в данном руководстве. Все другие работы по техобслуживанию должны выполняться авторизованным сервисным центром.
- В данное руководство невозможно включить все ситуации, которые могут возникнуть при использовании изделия. Будьте осторожны и руководствуйтесь здравым смыслом. Если вы не уверены в ситуации, не используйте изделие и не выполняйте его техобслуживание. Для получения необходимой информации обратитесь к специалисту по продукции, дилеру, специалисту по обслуживанию или в авторизованный сервисный центр.
- Отсоединяйте кабель свечи зажигания перед сборкой изделия, помещением его на хранение или проведением техобслуживания.
- Запрещается использовать изделие, если были изменены его исходные технические характеристики. Запрещено вносить изменения в конструкцию изделия без одобрения производителя. Используйте только рекомендованные производителем запчасти. Неправильное техобслуживание может привести к травме или смертельному исходу.
- Не вдыхайте выхлопные газы двигателя. Продолжительное вдыхание выхлопных газов двигателя опасно для здоровья.
- Запрещается запускать изделие в помещении или рядом с легковоспламеняющимися материалами. Выхлопные газы имеют высокую температуру и могут содержать искры, которые в свою очередь могут привести к пожару. Недостаточная вентиляция может привести к травме или смерти в результате удушья или отравления угарным газом.
- Во время работы вокруг двигателя создается электромагнитное поле. Электромагнитное поле может привести к повреждению медицинских имплантатов. Проконсультируйтесь с врачом и изготовителем имплантата перед использованием изделия.
- Не позволяйте детям использовать изделие. Не разрешайте пользоваться изделием людям, которые не знакомы с данными инструкциями.

- Не позволяйте людям с ограниченными физическими или умственными способностями пользоваться данным изделием без присмотра. Они должны постоянно находиться под присмотром взрослого.
- Запирайте изделие в месте, не доступном для детей и лиц, не допущенных к эксплуатации изделия.
- Во время работы изделие может отбрасывать находящиеся на земле предметы, что может привести к травме. Чтобы уменьшить риск получения серьезных или смертельных травм, соблюдайте инструкции по технике безопасности.
- Запрещается оставлять изделие с работающим двигателем без присмотра.
- При возникновении несчастного случая ответственность несет оператор изделия.
- Перед использованием изделия проверьте детали на отсутствие повреждений.
- Перед началом эксплуатации изделия убедитесь, что вы находитесь на расстоянии не менее 15 м (50 футов) от других людей или животных. Убедитесь, что находящиеся поблизости люди знают, что вы будете использовать изделие.
- Соблюдайте требования национальных или местных законов. В некоторых случаях они могут запрещать или ограничивать использование изделия.
- Ни в коем случае не используйте изделие, если вы устали или находитесь под воздействием спиртного, наркотических веществ или лекарственных препаратов. Они могут повлиять на ваше зрение, реакцию, координацию или оценку действительности.

Инструкции по технике безопасности во время сборки



ПРЕДУПРЕЖДЕНИЕ: В обязательном порядке прочитайте следующие инструкции по технике безопасности, прежде чем приступать к эксплуатации изделия.

- Перед сборкой изделия снимите со свечи зажигания колпак свечи зажигания.
- Используйте проверенные защитные перчатки.
- Перед запуском двигателя проверьте правильность установки крышки и вала.
- Ведущий диск и опорный фланец должны правильно входить в центральное отверстие режущего оборудования. Неправильная установка режущего оборудования может стать причиной серьезной травмы или смерти оператора или других людей.
- Для безопасной эксплуатации изделия и во избежание травм оператора или посторонних лиц изделие всегда должно правильно крепиться к подвеске.

Инструкции по технике безопасности во время эксплуатации



ПРЕДУПРЕЖДЕНИЕ: В обязательном порядке прочитайте следующие инструкции по технике безопасности, прежде чем приступать к эксплуатации изделия.

- Прежде чем использовать изделие, убедитесь, что оно полностью собрано.
 - Перед запуском сдвиньте изделие на 3 м (10 футов) от места, в котором вы заполняли топливный бак. Положите изделие на ровную поверхность. Убедитесь, что режущее оборудование не касается грунта или других объектов.
 - Изделие может отбрасывать находящиеся на земле предметы, что может причинить вред глазам. Всегда пользуйтесь одобренными средствами защиты глаз при использовании изделия.
 - Будьте осторожны, во время работы к изделию может незаметно приблизиться ребенок.
 - Не пользуйтесь изделием, если в рабочей зоне находятся другие люди. Выключайте изделие при входе другого человека в рабочую зону.
 - Всегда держите изделие под контролем.
 - Не пользуйтесь изделием, если вы не сможете получить помощь при несчастном случае. Прежде чем начать использовать изделие, всегда сообщайте об этом другим людям.
 - Не поворачивайтесь с изделием, не убедившись в отсутствии людей или животных в опасной зоне.
 - Перед началом работы уберите все посторонние материалы из рабочей зоны. При ударе режущего оборудования о предмет последний может отскочить и привести к травме или повреждению. Посторонние материалы могут намататься на режущее оборудование и привести к повреждению.
 - Запрещается пользоваться изделием в плохую погоду (при тумане, дожде, сильном ветре, опасности удара молнии и других погодных явлениях). Плохие погодные условия могут создавать опасные условия для работы (например, скользкие поверхности).
 - Убедитесь, что вы можете свободно перемещаться и работать в устойчивом положении.
- (Рис. 18)
- Убедитесь в отсутствии риска падения во время использования изделия. Запрещается наклоняться во время эксплуатации изделия.
 - Всегда держите изделие двумя руками. Держите изделие с правой стороны от тела.

(Рис. 19)

- Во время работы держите режущее оборудование ниже пояса.
- Если при запуске двигателя заслонка находится в закрытом положении, режущее оборудование начинает вращаться.
- Не прикасайтесь к зубчатой передаче после остановки двигателя. После остановки двигателя она имеет высокую температуру. Горячие поверхности могут стать причиной травм.
- Выключайте двигатель перед перемещением изделия.
- Запрещается класть изделие на землю с работающим двигателем.
- Чтобы очистить изделие от посторонних материалов, выключите двигатель и дождитесь полной остановки режущего оборудования. Дождитесь остановки режущего оборудования, прежде чем вы или ваш помощник уберет срезанный материал.

Средства индивидуальной защиты



ПРЕДУПРЕЖДЕНИЕ: В обязательном порядке прочитайте следующие инструкции по технике безопасности, прежде чем приступить к эксплуатации изделия.

- Всегда используйте соответствующее защитное снаряжение при эксплуатации изделия. Защитное снаряжение не исключает риск травмирования. Оно снижает тяжесть травмы при несчастном случае.
- Всегда пользуйтесь одобренными средствами защиты глаз при использовании изделия.
- При эксплуатации изделия запрещается быть босиком или носить открытую обувь. Всегда надевайте прочные нескользкие ботинки.
- Надевайте прочные длинные брюки.
- При необходимости используйте одобренные защитные перчатки.
- Надевайте шлем, если существует вероятность попадания объектов в голову.
- Всегда надевайте одобренные защитные наушники при использовании изделия. Длительное воздействие шума может привести к снижению слуха.
- Всегда имейте при себе аптечку для оказания первой медицинской помощи.

Защитные устройства на изделии



ПРЕДУПРЕЖДЕНИЕ: В обязательном порядке прочитайте следующие инструкции по технике безопасности, прежде чем приступить к эксплуатации изделия.

- Запрещается использовать изделие с неисправными защитными устройствами.
- Регулярно выполняйте проверку защитных устройств. См. раздел *Обзор изделия на стр. 320*.
- Если защитные устройства неисправны, обратитесь к своему сервисному дилеру Husqvarna.

Стопор рычага дросселя

Стопор рычага дросселя блокирует рычаг дросселя. (Рис. 20)

Нажмите на стопор рычага дросселя (А), чтобы освободить рычаг дросселя (В). Когда вы отпускаете ручку, стопор рычага дросселя и рычаг дросселя возвращаются в исходное положение.

1. Убедитесь, что рычаг дросселя (В) заблокирован в положении холостого хода в момент отпускания стопора рычага дросселя (А).
2. Нажмите на стопор рычага дросселя (А) и удостоверьтесь, что он возвращается в первоначальное положение при его освобождении.
3. Нажмите на рычаг дросселя (В) и удостоверьтесь, что он возвращается в первоначальное положение при его освобождении.

Запустите двигатель и полностью откройте дроссель. Отпустите рычаг дросселя и проверьте, остановилось ли режущее оборудование. Если после установки дросселя в положение холостого хода режущее оборудование продолжает вращаться, следует проверить винт регулировки холостого хода карбюратора.

Выключатель

Запустите двигатель. Убедитесь, что двигатель останавливается при установке выключателя в положение остановки.

(Рис. 21)

Щиток режущего оборудования

Щиток режущего оборудования предотвращает выброс предметов в сторону оператора. (Рис. 22)

Проверьте щиток режущего оборудования на наличие повреждений и замените его, если он поврежден. Используйте для режущего оборудования только одобренный щиток.

Глушитель

- Запрещается использовать двигатель с поврежденным глушителем. Поврежденный глушитель повышает уровень шума и риск пожара. Держите огнетушитель в пределах досягаемости.

- Периодически проверяйте надежность крепления глушителя к корпусу изделия.
- Не прикасайтесь к двигателю или глушителю во время работы двигателя. Не прикасайтесь к двигателю или глушителю в течение некоторого времени после выключения двигателя. Горячие поверхности могут стать причиной травм.
- Горячий глушитель может стать причиной пожара. Соблюдайте осторожность при использовании изделия вблизи легковоспламеняющихся жидкостей или газов.
- Не прикасайтесь к деталям глушителя, если он поврежден. На деталях могут находиться канцерогенные химические вещества.

Контргайка

На некоторых видах режущего оборудования для крепления используется контргайка.

(Рис. 23)

При установке контргайки затяните ее в направлении, противоположном направлению вращения режущего оборудования.

Функция расщепления оснастки



ПРЕДУПРЕЖДЕНИЕ: Запрещается использовать оснастку с неисправной функцией расщепления. Во время регулировки изделия убедитесь, что функция расщепления оснастки работает исправно.

Функция расщепления оснастки находится в передней части изделия. Лямки оснастки должны всегда оставаться в правильном положении. (Рис. 24)

Функция расщепления оснастки позволяет безопасно снять изделие в экстренной ситуации.

Режущее оборудование



ПРЕДУПРЕЖДЕНИЕ: В обязательном порядке прочитайте следующие инструкции по технике безопасности, прежде чем приступать к эксплуатации изделия.

- Регулярно выполняйте техобслуживание. Ваш авторизованный сервисный центр должен регулярно проверять режущее оборудование и выполнять необходимую регулировку и ремонт.
 - Повышается эффективность режущего оборудования.
 - Увеличивается срок службы режущего оборудования.
 - Уменьшается риск несчастных случаев.
- Используйте только одобренный щиток режущего оборудования. Для более подробной

информации смотрите *Принадлежности на стр. 335*.

- Не используйте поврежденное режущее оборудование.

Лезвия и ножи для травы

- Используйте изделие с одобренным лезвием для травы. Запрещается использовать лезвие для травы, если все необходимые детали не установлены должным образом. Убедитесь, что установка выполнена правильно и используются соответствующие детали. Неправильная установка может привести к отрыву ножа и серьезной травме оператора или находящихся рядом посторонних лиц.
- При работе с ножом или техническом обслуживании всегда надевайте защитные перчатки.
- При использовании изделия с лезвием для травы надевайте защитный шлем.
- Лезвие и нож для травы предназначены для выкашивания грубой травы.
- Нож для травы может стать причиной травмы, если он продолжает вращаться после остановки двигателя или отпущения рычага дросселя. Убедитесь, что нож для травы полностью остановился, прежде чем выполнять техническое обслуживание.
- Всегда выключайте двигатель, прежде чем приступить к работе с режущим оборудованием. Убедитесь, что режущее оборудование полностью остановилось. Отсоедините провод свечи зажигания.
- Используйте только одобренное режущее оборудование или правильно заточенный нож.
- Режущие зубья ножа должны быть правильно заточены.

(Рис. 25)

- Не используйте поврежденное режущее оборудование.
- Перед транспортировкой или помещением изделия на хранение установите на лезвие для травы транспортировочный щиток.

Отскакивание ножа

- Отскакивание ножа — это резкое движение изделия в сторону, вперед или назад. Отскакивание происходит, когда нож для травы или режущий диск ударяется о прочный предмет. В местах, где затруднен обзор разрезаемого материала, риск отскакивания ножа возрастает.
- При отскакивании ножа существует риск смещения положения изделия или оператора. Движущийся нож может ударить стоящих рядом людей и стать причиной травм.
- Утилизируйте нож, если он деформирован, имеет трещины, сломан или поврежден.

- Пользуйтесь заточенным ножом. Риск отскакивания ножа возрастает при использовании незаточенного ножа.

Правила безопасного обращения с топливом



ПРЕДУПРЕЖДЕНИЕ: В обязательном порядке прочитайте следующие инструкции по технике безопасности, прежде чем приступить к эксплуатации изделия.

- Не смешивайте топливо в помещении или рядом с источником тепла.
- Запрещается запускать изделие, если на него попало топливо или моторное масло. Удалите постороннее топливо/масло и дайте изделию высохнуть. Удалите постороннее топливо с поверхности изделия.
- Если топливо попало на одежду, немедленно смените ее.
- Не допускайте попадания топлива на тело, это может причинить вред здоровью. При попадании топлива на тело смойте его водой с мылом.
- Запрещается запускать двигатель, если вы пролили масло или топливо на изделие или тело.
- Запрещается запускать изделие при наличии утечки из двигателя. Регулярно проверяйте двигатель на наличие утечек.
- Соблюдайте осторожность при обращении с топливом. Топливо является легковоспламеняющейся жидкостью со взрывоопасными парами и может привести к серьезным или смертельным травмам.
- Запрещается вдыхать пары топлива, т. к. это может причинить вред здоровью. Убедитесь в наличии достаточного потока воздуха.
- Запрещается курить вблизи топлива или двигателя.
- Запрещается ставить теплые предметы рядом с топливом или двигателем.
- Запрещается доливать топливо при работающем двигателе.
- Прежде чем заправить изделие, убедитесь, что двигатель полностью остыл.
- Перед заправкой топлива медленно откройте крышку топливного бака и осторожно сбросьте давление.
- Запрещается заливать топливо в двигатель в помещении. Недостаточная вентиляция может привести к травме или смерти в результате удушья или отравления угарным газом.
- Аккуратно затяните крышку топливного бака во избежание возгорания.
- Переместите изделие минимум на 3 м (10 футов) от места заправки топливом, прежде чем запустить его.

- Не наливайте в топливный бак слишком много топлива.
- Убедитесь, что при перемещении изделия или емкости для топлива невозможно возникновение утечки.
- Запрещает размещать изделие или емкость для топлива вблизи открытого огня, искр или горящих фитилей. Убедитесь, что в месте хранения отсутствует открытый огонь.
- Используйте только одобренные емкости для переноски и хранения топлива.
- Сливайте топливо из топливного бака перед размещением изделия на длительное хранение. Соблюдайте требования местного законодательства в отношении места утилизации топлива.
- Очистите изделие, прежде чем поместить его на длительное хранение.
- Прежде чем поместить изделие на хранение, снимите кабель свечи зажигания во избежание случайного запуска двигателя.

Инструкции по технике безопасности во время технического обслуживания



ПРЕДУПРЕЖДЕНИЕ: В обязательном порядке прочитайте следующие инструкции по технике безопасности, прежде чем приступить к техобслуживанию изделия.

- Выполняйте только те работы по техническому и сервисному обслуживанию, которые описаны в данном руководстве по эксплуатации. Для проведения всех остальных работ по техническому и сервисному обслуживанию обращайтесь к квалифицированным специалистам по обслуживанию.
- Регулярно проверяйте состояние защитных приспособлений и проводите техническое и сервисное обслуживание в соответствии с инструкциями настоящего руководства. Регулярное техническое обслуживание продлевает срок службы изделия и снижает вероятность несчастных случаев. Инструкции см. в разделе *График технического обслуживания на стр. 330*.
- Если после выполнения обслуживания при проведении проверки защитных приспособлений были выявлены неисправности, обратитесь к своему дилеру по обслуживанию. Мы гарантируем, что ремонт и обслуживание вашего изделия будут выполнять квалифицированные профессионалы.

Сборка

Введение



ПРЕДУПРЕЖДЕНИЕ: Перед сборкой изделия ознакомьтесь с разделом, посвященным безопасности, и усвойте его содержание.



ПРЕДУПРЕЖДЕНИЕ: Перед сборкой изделия снимите со свечи зажигания провод свечи зажигания.

Сборка рукоятки

1. Отверните винт за ручкой дросселя. (Рис. 26)
2. Сдвиньте ручку дросселя вправо от рукоятки.
3. Совместите винтовое отверстие за ручкой дросселя с отверстием рукоятки.
4. Вставьте винт в отверстия. Затяните винт.
5. Установите рукоятку между стрелками на вале. Затяните винт. (Рис. 27)

Крепление фиксатора подвески

1. Установите фиксатор подвески на вал петель фиксатора подвески вверх. Установите фиксатор подвески над стрелками на вале.
2. Вставьте трос дросселя в нижний паз фиксатора подвески.
3. Совместите отверстия под винты фиксатора подвески.
4. Вставьте два винта в резьбовые отверстия.
5. Затяните винты.

Сборка режущего оборудования

Сборка щитка режущего оборудования

1. Установите щиток режущего оборудования (А) на вал. (Рис. 28)
2. Установите кронштейн (В) в паз на щитке режущего оборудования.

3. Установите болт (С) в отверстие кронштейна на щитке режущего оборудования.

Установка лезвия для травы

1. Убедитесь, что щиток режущего оборудования (А) прикреплен к устройству. См. раздел *Сборка щитка режущего оборудования на стр. 327.* (Рис. 29)
2. Вставьте стопорный штифт (В) в отверстие, чтобы зафиксировать вал.
3. Установите лезвие (Е), опорный колпак (F) и опорный фланец (G) на выходной вал (D).
4. Убедитесь, что ведущий диск (С) правильно входит в центральное отверстие лезвия. (Рис. 30)
5. Наденьте на выходной вал контргайку (Н). Держите ось комбинированного ключа рядом с щитком режущего оборудования. Поверните комбинированный ключ по часовой стрелки, чтобы затянуть контргайку. Затяните контргайку моментом 35-50 Нм (26-36 фут/фунт).
6. Снимите стопорный штифт.

Установка головки триммера

1. Убедитесь, что щиток режущего оборудования (А) прикреплен к устройству. См. раздел *Сборка щитка режущего оборудования на стр. 327.* (Рис. 31)
2. Убедитесь, что ведущий диск (С) закреплен к выходному валу (D).
3. Вставьте стопорный штифт (В) в отверстие, чтобы зафиксировать вал.
4. Установите головку триммера (Е) на выходной вал.
5. Поверните головку триммера против часовой стрелки, чтобы затянуть ее на выходном вале. (Рис. 32)
6. Снимите стопорный штифт.

Эксплуатация

Введение



ПРЕДУПРЕЖДЕНИЕ: Перед эксплуатацией прибора необходимо внимательно изучить раздел безопасности.

Топливо

Данное изделие оборудовано двухтактным двигателем.



ВНИМАНИЕ: Заправка неподходящим типом топлива может привести к повреждению двигателя. Используйте смесь бензина и масла для двухтактных двигателей.

Предварительно смешанное топливо

- Для обеспечения оптимальной производительности и продления срока службы двигателя используйте предварительно смешанное топливо-алкилат Husqvarna надлежащего качества. Данный тип топлива содержит меньшее количество вредных веществ по сравнению с обычным топливом, что приводит к сокращению вредных выбросов. Такое топливо при сгорании образует меньшее количество остатков, благодаря чему компоненты двигателя остаются более чистыми.

Смешивание топлива

Бензин



ВНИМАНИЕ: Не используйте бензин с октановым числом меньше 90 RON (87 AKI). Это может привести к повреждению изделия.



ВНИМАНИЕ: Запрещается использовать бензин с концентрацией этанола более 10% (E10). Это может привести к повреждению изделия.

- Всегда используйте свежий неэтилированный бензин с минимальным октановым числом 90 RON (87 AKI) и концентрацией этанола менее 10% (E10).
- Используйте бензин с более высоким октановым числом, если изделие часто используется с постоянно высокой частотой оборотов двигателя.

Масло для двухтактных двигателей

- Для достижения оптимальных результатов и мощности пользуйтесь маслом Husqvarna для двухтактных двигателей.
- Если у вас нет масла Husqvarna для двухтактных двигателей, вы можете использовать высококачественное масло, предназначенное для двухтактных двигателей с воздушным охлаждением. Для выбора правильного масла обратитесь к своему дилеру по обслуживанию.



ВНИМАНИЕ: Запрещается использовать масло, предназначенное для двухтактных двигателей с внешним водяным охлаждением, т.н. "outboard oil". Использовать масло для четырехтактных двигателей запрещается.

Смешивание бензина и масла для двухтактных двигателей

Бензин, л	Масло для двухтактных двигателей, л
	2% (50:1)
5	0,10
10	0,20
15	0,30
20	0,40



ВНИМАНИЕ: Небольшие неточности при смешивании небольшого количества топлива могут значительно повлиять на соотношение компонентов в смеси. Внимательно измеряйте количество масла, чтобы обеспечить правильное соотношение компонентов.

(Рис. 33)

- Добавьте половину количества бензина в чистую емкость для топлива.
- Добавьте все количество масла.
- Взболтайте топливную смесь.
- Добавьте оставшуюся часть бензина в емкость.
- Осторожно взболтайте топливную смесь.



ВНИМАНИЕ: Срок хранения топливной смеси не должен превышать 1 месяца.

Заправка топливом

- Всегда используйте емкость для топлива с клапаном от переполнения.
- Если на емкость попало топливо, удалите его и дайте емкости высохнуть.
- Убедитесь, что область вокруг крышки топливного бака чистая.
- Встряхните емкость для топлива, прежде чем налить топливную смесь в топливный бак.

Обкатка изделия

- В течение первых 10 часов работы изделие не должно работать длительное время на полной мощности без нагрузки.

Запуск и остановка

Осмотр перед началом работы

1. Убедитесь, что продукт не имеет поврежденных, ослабленных, отсутствующих или изношенных деталей.
2. Проверьте затяжку гаек, винтов и болтов.
3. Убедитесь, что лезвия или головка триммера не повреждены.
4. Убедитесь, что контргайка затянута. См. раздел *Проверка контргайки на стр. 332*.
5. Убедитесь, что воздушный фильтр не засорен.
6. Убедитесь, что защитные устройства изделия исправны.
7. Убедитесь в отсутствии утечек топлива.

Регулировка подвески



ПРЕДУПРЕЖДЕНИЕ: Изделие всегда должно быть правильно закреплено на подвеске. Не используйте неисправную подвеску.

1. Наденьте подвеску.
2. Подключите изделие к подвеске.
3. Отрегулируйте подвеску до оптимального рабочего положения.
4. Отрегулируйте боковые ремни таким образом, чтобы вес изделия равномерно распределялся на плечи. (Рис. 34)
5. Отрегулируйте положение подвески таким образом, чтобы режущее оборудование находилось параллельно земле.
6. Режущее оборудование должно слегка касаться земли. Затем отрегулируйте фиксатор подвески для правильного баланса изделия.

Примечание: При использовании лезвия для травы сбалансированное положение должно находиться на высоте приблизительно 10 см/4 дюйма над землей.

Запуск холодного двигателя

1. Нажмите 10 раз на грушу ручного нагнетателя. (Рис. 35)
2. Потяните заслонку вверх. (Рис. 36)
3. Прижмите корпус изделия к земле левой рукой. (Рис. 37) Не наступайте на изделие. Медленно потяните шнур стартера, пока не почувствуется сопротивление. Затем резко дерните шнур стартера.

Примечание: При запуске двигателя запрещается тянуть дроссельный регулятор.

4. Продолжайте дергать шнур стартера, пока не запустится или не начнет запускаться двигатель (макс. 3 раза). При запуске или попытке запуска двигателя опустите заслонку. Продолжайте рыбки, пока двигатель не запустится. Подождите 60 секунд после запуска и потяните дроссельный регулятор.



ВНИМАНИЕ: Не тяните шнур стартера, пока он не остановится. Не отпускайте шнур стартера, когда он полностью вытянут. Медленно отпустите шнур стартера. Несоблюдение этих инструкций может привести к повреждению двигателя.

Запуск прогретого двигателя

1. Нажмите 10 раз на грушу ручного нагнетателя.
2. Тяните шнур стартера до запуска двигателя.

Запуск двигателя, когда топливо очень горячее

Если изделие не запускается, возможно, топливо слишком горячее.

Примечание: Всегда используйте свежее топливо и снижайте время работы в теплую погоду.

1. Поместите изделие в прохладное место, куда не попадают прямые солнечные лучи.
2. Подождите, пока изделие остынет (не менее 20 минут).
3. Несколько раз нажмите на грушу ручного нагнетателя на 10-15 секунд.
4. Выполните процедуру запуска холодного двигателя. См. раздел *Запуск холодного двигателя на стр. 329*.

Остановка

- Нажмите на выключатель, чтобы остановить двигатель. (Рис. 21)

Примечание: Выключатель автоматически возвращается в исходное положение.

Эксплуатация триммера для травы



ВНИМАНИЕ: После каждой операции сбрасывайте обороты двигателя до скорости холостого хода. Работа в течение длительного времени при полном открытии дроссельной заслонки без какой-либо нагрузки на двигатель может привести к повреждению двигателя.

Примечание: Очищайте крышку головки триммера при установке новой режущей лески для предотвращения вибрации. Проверьте другие детали головки триммера и очистите их при необходимости.

Стрижка травы

1. Держите головку триммера чуть выше земли под углом. Не прижимайте режущую леску к траве. (Рис. 38)
2. Уменьшите длину режущей лески на 10-12 см / 4-4,75 дюйма.
3. Уменьшите частоту вращения двигателя, чтобы уменьшить риск повреждения растений.
4. При стрижке травы вблизи предметов дроссель должен быть открыт на 80%. (Рис. 39)

Кошение травы

1. При кошении травы держите режущую леску триммера параллельно земле. (Рис. 40)
2. Не прижимайте головку триммера к земле. Это может привести к повреждению изделия
3. При стрижке травы перемещайте изделие из стороны в сторону. Работайте на полной мощности. (Рис. 41)

Подрезка травы с помощью лезвия для травы

1. Лезвия и ножи для травы не должны использоваться для срезания стволов.
2. Лезвие для травы предназначено для всех видов высокой или грубой травы.
3. Производите кошение маятниковым движением из стороны в сторону, движение справа налево будет рабочим движением, а движение слева направо — возвратным. Лезвие должно срезать траву своим левым краем (между 8 и 12 часами).
4. Если немного наклонить лезвие влево при подрезке, срезанная трава будет укладываться ровными рядами, что облегчит ее сгребание.

5. Старайтесь работать в одном ритме. Стойте устойчиво, поставив стопы ног на некотором расстоянии друг от друга. После возвратного движения передвиньтесь вперед и опять встаньте в устойчивое положение.
6. Опорная чашка должна слегка касаться земли. Она предохраняет лезвие от контакта с землей.
7. Чтобы уменьшить риск закручивания материала вокруг лезвия, всегда работайте на полных оборотах и старайтесь не проходить по уже срезанной траве при возвратном движении.
8. Перед тем, как начать собирать срезанную траву, остановите двигатель и снимите оснастку.

Головка триммера

- Убедитесь, что режущая леска плотно и равномерно намотана на барабан, чтобы уменьшить вибрацию.
- Используйте только одобренные головки триммера и режущую леску. См. *Принадлежности на стр. 335*.
- Используйте режущую леску соответствующей длины. Длинная режущая леска требует большей мощности двигателя, чем короткая.
- Убедитесь, что резчик на щитке режущего оборудования не поврежден.
- Замочите режущую леску в воде на 2 дня, прежде чем установить ее на изделие. Это поможет продлить срок службы режущей лески.

Замена режущей лески

- (Рис. 42)
- (Рис. 43)
- (Рис. 44)
- (Рис. 45)
- (Рис. 46)
- (Рис. 47)
- (Рис. 48)
- (Рис. 49)

Техническое обслуживание

Введение



ПРЕДУПРЕЖДЕНИЕ: Перед выполнением техобслуживания необходимо внимательно изучить и понять раздел безопасности.

Для выполнения любых работ по сервисному обслуживанию и ремонту изделия необходимо пройти специальное обучение. Мы гарантируем доступность услуг по профессиональному ремонту и сервисному обслуживанию. Если ваш дилер не занимается сервисным обслуживанием, обратитесь к

нему для получения информации о ближайшем сервисном центре.

График технического обслуживания

Еженедельное техобслуживание

- Очистите внешние поверхности.
- Убедитесь, что режущее оборудование не вращается на холостых оборотах. См. раздел *Регулировка скорости холостого хода на стр. 331*.

- Проверьте уровень смазки в коническом зубчатом колесе. См. раздел *Добавление смазки в зубчатую передачу на стр. 332.*
- Проверьте контргайку. См. раздел *Проверка контргайки на стр. 322.*

Ежемесячное обслуживание

- Убедитесь, что рукоятка шнура стартера и шнур стартера не повреждены.

Ежегодное обслуживание

- Проверьте свечу зажигания. См. раздел *Проверка свечи зажигания на стр. 331.*
- Очистите внешние поверхности карбюратора и прилегающих областей.
- Очистите систему охлаждения.
- Проверьте искрогасительную сетку. См. раздел *Техобслуживание искрогасительной сетки на стр. 331.*
- Проверьте топливный фильтр.
- Убедитесь, что топливный шланг не имеет повреждений.
- Убедитесь, что кабели и соединения устройства не повреждены.

Регулировка скорости холостого хода

- Перед регулировкой скорости холостого хода убедитесь, что воздушный фильтр чистый и установлена крышка воздушного фильтра.
 - Отрегулируйте обороты холостого хода с помощью винта регулировки холостого хода T, обозначенного меткой "T".
 - Скорость холостого хода правильная, если двигатель работает ровно во всех положениях. Скорость холостого хода должна быть ниже скорости, при которой режущее оборудование начинает вращаться.
1. Поворачивайте винт регулировки по часовой стрелке до тех пор, пока режущее оборудование не начнет вращаться. (Рис. 50)
 2. Затем поворачивайте винт регулировки против часовой стрелки, пока режущее оборудование не остановится.

Техобслуживание искрогасительной сетки

Для очистки искрогасительной сетки используйте металлическую щетку. (Рис. 51)

Очистка системы охлаждения

Для очистки компонентов системы охлаждения используйте щетку. (Рис. 52)

Проверка свечи зажигания



ВНИМАНИЕ: Используйте только рекомендуемые свечи зажигания. Убедитесь, что запчасть имеет такие же характеристики, что и деталь производителя. Применение неподходящих свечей зажигания может привести к повреждению изделия.

1. Проверять свечу зажигания необходимо в следующих случаях:
 - a) при снижении мощности двигателя;
 - b) при затруднительном запуске двигателя;
 - c) при некорректной работе двигателя на холостых оборотах.
2. Если двигатель запускается с трудом или не работает, проверьте свечу зажигания на наличие посторонних материалов. Чтобы уменьшить риск появления посторонних материалов на электродах свечи зажигания:
 - a) убедитесь в правильности регулировки скорости холостого хода;
 - b) убедитесь в правильности состава топливной смеси;
 - c) убедитесь, что воздушный фильтр чист;
3. очистите свечу зажигания, если она загрязнена. Проверьте правильность зазора между электродами. (Рис. 53)
4. При необходимости замените свечу зажигания.

Техобслуживание воздушного фильтра

Очистка воздушного фильтра

1. Снимите крышку воздушного фильтра и воздушный фильтр. (Рис. 54)
2. Промойте воздушный фильтр теплой мыльной водой. Перед установкой фильтра на место убедитесь, что он полностью высох.
3. Если воздушный фильтр слишком грязный, чтобы полностью его очистить, замените его. Всегда заменяйте поврежденный воздушный фильтр.
4. Если изделие оснащено поролоновым воздушным фильтром, нанесите масло для воздушного фильтра. Масло для воздушного фильтра наносится только на поролоновый фильтр. Нельзя наносить масло на фетровый фильтр.

Нанесение масла на воздушный фильтр



ВНИМАНИЕ: Всегда используйте специальное масло для поролоновых воздушных фильтров. Не используйте другие виды масла.



ПРЕДУПРЕЖДЕНИЕ: Не допускайте попадания масла на тело.

1. Снимите крышку воздушного фильтра и воздушный фильтр. (Рис. 55)
2. Поместите воздушный фильтр в полиэтиленовый пакет.
3. Налейте в полиэтиленовый пакет масло для воздушного фильтра. (Рис. 56)
4. Сожмите пакет, чтобы равномерно распределить масло по воздушному фильтру.
5. Сожмите воздушный фильтр в пакете, чтобы удалить излишки масла. Извлеките воздушный фильтр из пакета.
6. Установите воздушный фильтр.

Добавление смазки в зубчатую передачу

Убедитесь, что зубчатая передача на 3/4 заполнена смазкой для зубчатой передачи.

(Рис. 57)

Проверка контргайки



ВНИМАНИЕ: Заменяйте контргайку после каждого 10-го использования.

1. Поверните контргайку против часовой стрелки, чтобы затянуть контргайку. Поверните контргайку

по часовой стрелке, чтобы снять контргайку. (Рис. 58)

2. Убедитесь, что нейлоновую прокладку контргайки невозможно повернуть руками. Сопротивление нейлоновой прокладки должно быть не менее 1,5 Нм (1,1 фут/фунт).
3. Затяните контргайку моментом 35-50 Нм (26-36 футо-фунтов), если сопротивление ниже минимального значения.



ВНИМАНИЕ: Если затянуть контргайку слишком сильно, это может привести к повреждению резьбы.

Заточка ножа и лезвия для травы



ПРЕДУПРЕЖДЕНИЕ: Остановите двигатель. Используйте защитные перчатки.

- Правильную процедуру заточки ножа и лезвия для травы см. в инструкциях, поставляемых вместе с режущим оборудованием.
- Для сохранения балансировки все кромки должны быть заточены одинаково.
- Используйте плоский напильник с односторонним узором. (Рис. 59)



ПРЕДУПРЕЖДЕНИЕ: Всегда утилизируйте поврежденные ножи. Не пытайтесь выпрямить изогнутый или перекошенный нож для его повторного использования.

Поиск и устранение неисправностей

Двигатель не запускается

Проверка	Возможная причина	Порядок действий
Выключатель.	Выключатель находится в положении останова.	Переведите выключатель в положение запуска.
Собачки стартера.	Собачки стартера не могут свободно перемещаться.	Снимите крышку стартера и очистите область вокруг собачек стартера. Обратитесь в авторизованный сервисный центр за помощью.
Топливный бак.	Топливо несоответствующего типа.	Опорожните топливный бак и залейте правильное топливо.

Проверка	Возможная причина	Порядок действий
Свеча зажигания.	Свеча зажигания загрязнена или намочена.	Убедитесь, что свеча зажигания сухая и чистая.
	Неправильный зазор между электродами свечи зажигания.	Очистите свечу зажигания. Проверьте правильность зазора между электродами. Убедитесь, что свеча зажигания оснащена изоляцией радиопомех.
		Правильный зазор между электродами см. в технических данных.
Крепление свечи зажигания ослаблено.	Затяните свечу зажигания.	

Двигатель запускается, но затем снова останавливается

Проверка	Возможная причина	Порядок действий
Топливный бак	Топливо несоответствующего типа.	Опорожните топливный бак и залейте в него правильное топливо.
Воздушный фильтр	Засорен воздушный фильтр.	Очистите воздушный фильтр.

Транспортировка, хранение и утилизация

Транспортировка и хранение

- Перед транспортировкой или помещением на хранение дайте изделию остыть.
- Перед помещением на длительное хранение снимите колпачок свечи зажигания.
- Закрепляйте изделие на время транспортировки. Убедитесь, что изделие неподвижно зафиксировано.
- Убедитесь, что на время транспортировки и хранения исключен риск возникновения утечек топлива, испарения топлива, искр или пламени.
- На время транспортировки и хранения устанавливайте на изделие транспортировочный щиток.
- Перед помещением на длительное хранение очистите изделие и проведите его техобслуживание.

Технические данные

Технические данные

	325R A05328CBHV
Двигатель	
Объем цилиндра, см ³	27,6
Обороты холостого хода, об/мин	2800 - 3200
Рекомендованные макс. обороты, об/мин	8000
Макс. выходная мощность двигателя, по ISO 8893, кВт/л.с. при об/мин	0,9/1,2 при 8000

	325R A05328CBHV
Глушитель с каталитическим конвертером	Да
Частота вращения выходного вала, об/мин	7200
Система зажигания	
Свеча зажигания	Husqvarna HQT-4
Зазор между электродами, мм	0,5
Топливная система	
Емкость топливного бака, л/см ³	0,343/343
Размеры изделия	
Вес, кг	5,5
Излучение шума⁶⁴	
Уровень мощности звука, измеренный, с лезвием для травы, дБ (A)	108
Уровень мощности звука, измеренный, с головкой триммера, дБ (A)	110
Уровень мощности звука, гарантированный (L _{WA}), с лезвием для травы, дБ (A)	112
Уровень мощности звука, гарантированный (L _{WA}), с головкой триммера, дБ (A)	114
Уровни шума⁶⁵	
Уровень звукового давления на уровне уха оператора, с лезвием для травы, дБ (A)	96
Уровень звукового давления на уровне уха оператора, с головкой триммера, дБ (A)	95
Уровни вибрации⁶⁶	
Эквивалент уровня вибрации (ahv, eq), с лезвием для травы, рукоятка слева, м/с ²	5,1
Эквивалент уровня вибрации (ahv, eq), с лезвием для травы, рукоятка справа, м/с ²	5,7
Эквивалент уровня вибрации (ahv, eq), с головкой триммера, рукоятка слева, м/с ²	4,1
Эквивалент уровня вибрации (ahv, eq), с головкой триммера, рукоятка справа, м/с ²	4,9

⁶⁴ Излучение шума в окружающую среду измеряется как шумовой эффект (L_{WA}) согласно Директиве ЕС 2000/14/ЕС. Указанный уровень мощности звука для изделия измерен с оригинальным режущим оборудованием, дающим наивысший уровень. Разница между гарантированной и измеренной мощностью звука заключается в том, что гарантированная мощность звука включает результаты измерений как диапазон и их отклонение для изделий одной и той же модели согласно директиве 2000/14/ЕС.

⁶⁵ Указанные данные об эквивалентном уровне давления звука для устройства имеют типичный статистический разброс (стандартное отклонение) 1 дБ (A).

⁶⁶ Указанные данные о среднем уровне вибраций имеют типичный статистический разброс (стандартное отклонение) 1 м/с².

Принадлежности

Принадлежности

Соответствующие принадлежности	Тип	Щиток режущего оборудования
Резьбовой вал	M10L	
Головка триммера	T35, 2,4 мм	588 11 79-01
Лезвие для травы	Grass 255-4, Ø 250	588 11 79-01

Декларация соответствия ЕС

Содержание декларации о соответствии ЕС

Компания Husqvarna AB, SE 561 82 Huskvarna, ШВЕЦИЯ, под свою исключительную ответственность заявляет, что представленное изделие:

предприятий и стран производителя, как указано на изделии.

Поставляемый бензиновый триммер/кусторез соответствует эталону, прошедшему контроль.

Описание	Бензиновый триммер/кусторез
Марка	Husqvarna
Платформа / Тип / Модель	Платформа A05328CBHV, представленная моделью 325R.
Партия	Серийный номер с 2018 года и далее.

полностью соответствует следующим директивам и нормам ЕС:

Директива/Норматив	Описание
2006/42/ЕС	"о механическом оборудовании"
2014/30/EU	"об электромагнитной совместимости"
2000/14/ЕС	"об излучении шума от оборудования, размещенного вне помещения"
2011/65/EU	"об ограничении использования опасных веществ"

Применяются следующие согласованные стандарты и/или технические спецификации: EN ISO 12100, EN ISO 11806-1, CISPR 12, ISO 14982, EN 50581:2012 .

В соответствии с директивой 2000/14/ЕС, приложение V, заявленные значения звукового давления указаны в разделе технических данных настоящего руководства и в подписанной декларации соответствия ЕС.

Организацией TÜV Rheinland N.A. был проведен добровольный контроль от имени Husqvarna AB, в результате которого был выдан Сертификат соответствия директиве ЕС 2006/42/ЕС о механическом оборудовании.

Сертификат, предоставленный в подписанной декларации соответствия ЕС, действителен для всех

Obsah

Úvod.....	337	Riešenie problémov.....	347
Bezpečnosť.....	338	Preprava, skladovanie a likvidácia.....	348
Montáž.....	342	Technické údaje.....	348
Prevádzka.....	343	Príslušenstvo.....	350
Údržba.....	346	ES vyhlásenie o zhode.....	351

Úvod

Návod na obsluhu

Pôvodný jazyk tohto návodu na obsluhu je angličtina. Návody na obsluhu v iných jazykoch sú jeho preložené verzie z angličtiny.

Plánované použitie

Osadte výrobok nožom na trávu alebo vyžínacou hlavou a využite ho na kosenie rôznych druhov rastlín.

Prehľad výrobku

(Obr. 1)

1. Vyžínacia hlava
2. Viečok plniaceho otvoru maziva
3. Kuželové ozubené koleso
4. Chránič rezacieho nadstavca
5. Hriadeľ
6. Vypínač
7. Ovládač škrtiacej klapky
8. Poistka páčky plynu
9. Držadlo
10. Svorka popruhu
11. Kryt štartéra
12. Kryt zapaľovacej sviečky, zapaľovacia sviečka
13. Rukoväť štartovacieho lanka
14. Palivová nádrž
15. Kryt vzduchového filtra
16. Balónik pumpy
17. Ovládanie sýtiča
18. Nastavenie rukoväti
19. Plynové lanko
20. Tlačidlo voľnobehu
21. Popruh
22. Kombinovaný kľúč
23. Návod na obsluhu
24. Transportný kryt
25. Čepel
26. Podporná miska
27. Podporná prírubica
28. Poistná matica

Poznámka: Používanie tohto výrobku môže byť obmedzené vnútroštátnymi predpismi.

29. Hnací disk
30. Poistný kolík
31. Imbusový kľúč

Symbody na výrobku

- (Obr. 2) **UPOZORNENIE!** Tento výrobok je nebezpečný. V prípade neopatrného a nesprávneho použitia výrobku môže dôjsť k zraneniu alebo usmrteniu obsluhy alebo osôb v okolí. V záujme predchádzania zraneniam obsluhy a osôb v okolí si prečítajte a dodržiavajte všetky bezpečnostné pokyny v návode na obsluhu.
- (Obr. 3) Skôr než začnete stroj používať, pozorne si prečítajte návod na obsluhu a presvedčíte sa, že ste porozumeli jeho obsahu.
- (Obr. 4) V miestach, kde na vás niečo môže spadnúť, používajte ochrannú prilbu. Používajte schválené chrániče sluchu. Používajte schválené chrániče očí.
- (Obr. 5) Používajte schválené ochranné rukavice.
- (Obr. 6) Používajte odolné protišmykové topánky.
- (Obr. 7) Šípky zobrazujú obmedzenia pre polohu rukoväte.
- (Obr. 8) Počas používania sa môžu od výrobku odraziť predmety a spôsobiť poranenie.
- (Obr. 9) Maximálne otáčky výstupného hriadeľa.

(Obr. 10) Počas používania výrobku zachovávajte minimálnu vzdialenosť 15 metrov od ľudí a zvierat.

(Obr. 11) V prípade, že sa rezné zariadenie dotkne predmetu, ktorý nie je možné priamo prerezat', hrozí riziko odrazenia noža. Výrobok je schopný odrezat' časť tela. Počas používania výrobku zachovávajte minimálnu vzdialenosť 15 metrov od ľudí a zvierat.

(Obr. 12) Balónik pumpy.

(Obr. 13) Sýtič.

(Obr. 14) Všetky časti tela udržiavajte mimo horúcich plôch.

(Obr. 15) Emisie hluku do okolia sú v súlade so smernicou Európskej únie. Emisie výrobku sú špecifikované v kapitole s technickými údajmi tohto návodu a na štítku.

(Obr. 16) Tento výrobok je v súlade s príslušnými smernicami ES.

(Obr. 17) Tento výrobok je v súlade s príslušnými smernicami EAC.

Na výkono-
vom štítku
je uvedené
výrobné čí-
slo. **rrrr** je
rok výroby,
tt je týždeň
výroby
a **xxxxx** je
výrobné čí-
slo.

rrrrttxxxxx

Poznámka: Ostatné symboly/emblémy na výrobku odkazujú na požiadavky certifikácie pre ďalšie komerčné oblasti.

Zodpovednosť za výrobok

V súlade s právnymi predpismi upravujúcimi zodpovednosť za výrobok nenesieme zodpovednosť za škody spôsobené našim výrobkom v dôsledku:

- nesprávne vykonanej opravy výrobku,
- opravy výrobku, pri ktorej neboli použité diely od výrobcu alebo diely schválené výrobcom,
- používania príslušenstva od iného výrobcu alebo príslušenstva, ktoré nie je schválené výrobcom,
- opravy výrobku, ktorá nebola vykonaná v schválenom servisnom stredisku alebo schválenými kompetentnými osobami,

EU V



VÝSTRAHA: Nepovolená manipulácia s motorom ruší platnosť typového schválenia tohto výrobku pre EÚ.

Bezpečnosť

Bezpečnostné definície

Výstrahy, upozornenia a poznámky slúžia na zdôraznenie mimoriadne dôležitých častí návodu.



VÝSTRAHA: Používa sa, ak pre obsluhu alebo osoby v okolí existuje nebezpečenstvo poranenia alebo smrti v prípade nedodržania pokynov v návode.



VAROVANIE: Používa sa, ak hrozí nebezpečenstvo poškodenia produktu, iných materiálov alebo okolitej oblasti v prípade nedodržania pokynov v návode.

Poznámka: Používa sa na poskytnutie informácií nad rámec nevyhnutných informácií v danej situácii.

Ochrana proti vibráciám

Tento výrobok je určený len na príležitostné používanie. Nepretržitá alebo pravidelná prevádzka výrobku môže viesť k syndrómu „bielych prstov“ alebo k podobným zdravotným problémom vyplývajúcim z vibrácií. Ak výrobok používate nepretržite alebo pravidelne, dbajte na starostlivosť o stav vašich rúk a prstov. Ak budú vaše ruky alebo prsty vykazovať známky straty sfarbenia, začnú vás bolieť, chvieť sa alebo vám znecitlivejú, prestaňte pracovať a okamžite kontaktujte svojho lekára.

Všeobecné bezpečnostné pokyny



VÝSTRAHA: Skôr než budete výrobok používať, prečítajte si nasledujúce výstrahy.

- Výrobok používajte správne. Nesprávne používanie môže mať za následok poranenie alebo smrť.

Výrobok používajte len na účely uvedené v tomto návode. Výrobok nepoužívajte na iné účely.

- Dodržiavajte pokyny uvedené v tomto návode. Dodržiavajte bezpečnostné symboly a bezpečnostné pokyny. Ak používateľ nebude dodržiavať uvedené pokyny a symboly, môže dôjsť k poraneniu, poškodeniu alebo smrti.
- Tento návod nezahadzujte. Tieto pokyny poskytujú všetky potrebné kroky na montáž a prevádzku výrobku a pomôžu vám udržať výrobok v dobrom stave. Tieto pokyny poskytujú všetky potrebné kroky na správnu inštaláciu doplnkov a príslušenstva. Používajte len schválené doplnky a príslušenstvo.
- Ak sa výrobok poškodí, nepoužívajte ho. Dodržiavajte plán údržby. Vykonávajte len údržbu, ku ktorej nájdete pokyny v tomto návode. Všetky ostatné práce týkajúce sa údržby musí vykonať schválené servisné stredisko.
- Tento návod na obsluhu nezahŕňa všetky situácie, s ktorými sa môžete počas používania tohto výrobku stretnúť. Pri jeho používaní zachovávajte opatnosť a riadte sa zdravým úsudkom. Výrobok nepoužívajte ani na ňom nevykonávajte žiadnu údržbu, ak s istotou neviete, o aký problém ide. Kontaktujte produktového odborníka, predajcu, servisného zástupcu alebo schválené servisné stredisko a požiadajte o informácie.
- Pred montážou výrobku, jeho uskladnením alebo vykonávaním údržby odpojte kábel zapaľovacej sviečky.
- Výrobok nepoužívajte, ak sa zmenili jeho pôvodné technické špecifikácie. Nevymieňajte diely výrobku bez schválenia výrobcu. Používajte iba príslušenstvo schválené výrobcom. Nesprávna údržba môže mať za následok poranenie alebo smrť.
- Nevychudzte výpary z motora. Dlhodobé vdychovanie výfukových plynov predstavuje zdravotné riziko.
- Neštartujte výrobok vo vnútri ani v blízkosti horľavého materiálu. Výfukové plyny sú horúce a môžu obsahovať iskry, ktoré môžu spôsobiť požiar. Nedostatočné prúdenie vzduchu môže spôsobiť poranenie alebo smrť v dôsledku udusenía alebo otravy oxidom uhoľnatým.
- Počas používania tohto výrobku vytvára motor elektromagnetické pole. Elektromagnetické pole môže poškodiť implantované lekárske prístroje. Pred používaním tohto výrobku sa poraďte so svojim lekárom a výrobcom implantovaného lekárskeho prístroja.
- Nedovoľte, aby výrobok používali deti. Nedovoľte, aby výrobok používali osoby, ktoré nepoznajú potrebné pokyny.
- Osoby so zníženými fyzickými alebo duševnými schopnosťami musia byť počas používania výrobku vždy pod dozorom. Vyžaduje sa neustála prítomnosť zodpovednej dospeléj osoby.
- Výrobok bezpečne uzamknite na mieste, ku ktorému nemajú prístup deti a nepovolené osoby.

- Počas používania sa môžu od výrobku odraziť predmety a spôsobiť poranenia. Dodržiavajte bezpečnostné pokyny, aby ste znížili riziko poranenia alebo smrti.
- Nevzdalujte sa od výrobku, keď je zapnutý motor.
- V prípade nehody zodpovedá za následky používateľ.
- Pred používaním výrobku sa uistite, že nie sú poškodené žiadne diely.
- Pred používaním výrobku sa uistite, že sa nachádzate minimálne 15 m od iných osôb alebo zvierat. Uistite sa, že osoby v okolí vedia o tom, že budete výrobok používať.
- Dodržiavajte národné alebo miestne právne predpisy. V určitých podmienkach môžu zakazovať alebo obmedzovať prevádzku výrobku.
- Výrobok nepoužívajte, ak ste unavení alebo pod vplyvom alkoholu, drog alebo liekov. Môže to ovplyvniť váš zrak, pozornosť, koordináciu a úsudok.

Bezpečnostné pokyny pre montáž



VÝSTRAHA: Skôr než budete výrobok používať, prečítajte si nasledujúce výstrahy.

- Pred zostavením výrobku odpojte kryt zapaľovacej sviečky od zapaľovacej sviečky.
- Používajte schválené ochranné rukavice.
- Pred naštartovaním motora sa uistite, že sú kryt a hriadeľ správne nasadené.
- Hnací disk a podporná prírubka musia byť správne uchytené v stredovom otvore rezacieho nadstavca. Nesprávne nasadenie rezacieho nadstavca môže viesť k vážnemu poraneniu alebo usmrteniu obsluhného pracovníka alebo iných osôb.
- V záujme bezpečného používania výrobku a zamedzenia zraneniam obsluhy a iných osôb musí byť výrobok vždy správne upevnený na popruh.

Bezpečnostné pokyny pre prevádzku



VÝSTRAHA: Skôr než budete používať produkt, prečítajte si nasledujúce výstrahy.

- Pred používaním sa uistite, že je výrobok plne zmontovaný.
- Pred spustením premiestnite výrobok 3 m od miesta, na ktorom ste plnili palivovú nádrž. Položte výrobok na rovny povrch. Uistite sa, že sa rezací nadstavec nedotýka zeme ani iných predmetov.
- Počas používania sa môžu od výrobku odraziť predmety a spôsobiť poranenie očí. Počas používania výrobku vždy používajte schválené chrániče očí.
- Počas používania dávajte pozor, aby sa do blízkosti výrobku bez vášho vedomia nedostala dieťa.

- Výrobok nepoužívajte, ak sa v pracovnej zóne nachádzajú iné osoby. Ak sa do pracovnej zóny dostane osoba, výrobok vypnite.
- Uistite sa, že výrobok máte vždy úplne pod kontrolou.
- Výrobok nepoužívajte, ak v prípade nehody nie je k dispozícii pomoc. Pred používaním sa vždy uistite, že ďalšie osoby vedia o tom, že budete výrobok používať.
- Pri otáčaní sa s výrobkom sa najskôr uistite, že sa v bezpečnostnej zóne nenachádzajú žiadne osoby ani zvieratá.
- Skôr ako začnete, odstráňte z pracovnej zóny všetok neželaný materiál. Ak rezací nadstavec narazí na predmet, predmet sa môže odraziť a spôsobiť poranenie alebo viesť k poškodeniu. Neželaný materiál sa môže obmotat' okolo rezacieho nadstavca a viesť k poškodeniu.
- Výrobok nepoužívajte v nepriaznivom počasí (hmla, dážď, silný vietor, riziko zásahu bleskom alebo iné nepriaznivé poveternostné podmienky). Nepriaznivé počasie môže mať za následok vznik nebezpečných podmienok (ako sú napr. klzké povrchy).
- Uistite sa, že sa môžete voľne pohybovať a pracovať v stabilnej polohe.

(Obr. 18)

- Uistite sa, že počas používania výrobku nemôžete spadnúť. Počas obsluhy výrobku sa nenakláňajte.
- Výrobok vždy držte oboma rukami. Výrobok držte na pravej strane tela.

(Obr. 19)

- Počas prevádzky držte výrobok s rezacím nadstavcom pod úrovňou pásu.
- Ak je ovládanie sýtiča počas naštartovania motora v polohe sýtiča, rezací nadstavec sa začne otáčať.
- Nedotýkajte sa kuželového prevodu po zastavení motora. Kuželový prevod je po zastavení motora horúci. Horúce plochy môžu spôsobiť poranenie.
- Pred premiestňovaním výrobok vypnite.
- Nekladte výrobok na zem, keď je zapnutý motor.
- Pred odstraňovaním neželaného materiálu z výrobku vypnite motor a počkajte, kým sa rezací nadstavec zastaví. Skôr ako vy alebo iná osoba začne s odstraňovaním nakoseného materiálu, počkajte, kým sa rezací nadstavec zastaví.

Osobné ochranné prostriedky



VÝSTRAHA: Skôr než budete výrobok používať, prečítajte si nasledujúce výstrahy.

- Počas používania výrobku vždy používajte správne osobné ochranné prostriedky. Osobné ochranné prostriedky neznamenajú, že neexistuje nebezpečenstvo poranenia. V prípade nehody môžu osobné ochranné prostriedky znížiť závažnosť poranenia.

- Počas používania výrobku vždy používajte schválené chrániče očí.
- Výrobok neobsluhujte s bosými nohami ani v otvorených topánkach. Vždy noste odolné protišmykové topánky.
- Noste dlhé odolné nohavice.
- V prípade potreby používajte schválené ochranné rukavice.
- Ak existuje riziko poranenia hlavy v dôsledku pádu predmetov, používajte prilbu.
- Počas obsluhy výrobku vždy používajte schválenú ochranu uší. Dlhodobé pôsobenie hluku môže mať za následok stratu sluchu.
- Uistite sa, že máte v blízkosti k dispozícii lekárničku.

Bezpečnostné zariadenia na výrobku



VÝSTRAHA: Skôr než budete používať produkt, prečítajte si nasledujúce výstrahy.

- Nepoužívajte produkt, ktorý má chybné bezpečnostné zariadenia.
- Pravidelne kontrolujte bezpečnostné zariadenia. Pozrite si časť *Prehľad výrobku na strane 337*.
- Ak sú bezpečnostné zariadenia chybné, obráťte sa na servisného zástupcu spoločnosti Husqvarna.

Poistka páčky plynu

Poistka páčky plynu slúži na uzamknutie páčky plynu.

(Obr. 20)

Stlačením poistky páčky plynu (A) uvoľníte páčku plynu (B). Keď pustíte rukoväť, poistka páčky plynu a páčka plynu sa vrátia do východiskovej polohy.

1. Pri uvoľnení poistky páčky plynu (A) sa uistite, že je páčka plynu (B) zaistená v polohe voľnobehu.
2. Stlačte poistku páčky plynu (A) a uistite sa, že sa po uvoľnení vráti do východiskovej polohy.
3. Stlačte páčku plynu (B) a uistite sa, že sa po uvoľnení vráti do východiskovej polohy.

Naštartujte motor a pridajte plný plyn. Uvoľníte páčku plynu a skontrolujte, či sa rezací nadstavec zastaví. Ak sa rezací nadstavec otáča, keď je páčka plynu v polohe voľnobehu, skontrolujte nastavovaciu skrutku voľnobehu karburátora.

Vypínač

Naštartujte motor. Uistite sa, že po prepnutí vypínača do polohy zastavenia sa motor zastaví.

(Obr. 21)

Chránič rezacieho nadstavca

Chránič rezacieho nadstavca zabraňuje odrazeniu uvoľnených predmetov smerom k používateľovi.

(Obr. 22)

Skontrolujte, či nie je chránič rezacieho nadstavca poškodený a v prípade potreby ho vymeňte. Používajte len schválený chránič pre rezací nadstavec.

- Používajte len schválený chránič rezacieho nadstavca. Ďalšie informácie sú uvedené v časti *Príslušenstvo na strane 350*.
- Nepoužívajte poškodený rezací nadstavec.

Tlmič výfuku

- Nepoužívajte motor, ak je tlmič výfuku poškodený. Poškodený tlmič výfuku zvyšuje hladinu hluku a nebezpečenstvo požiaru. Majte poruke hasiaci prístroj.
- Pravidelne kontrolujte, že je tlmič výfuku pripevnený k výrobku.
- Nedotýkajte sa motora ani tlmiča výfuku, keď je motor v prevádzke. Nedotýkajte sa motora ani tlmiča výfuku hneď po vypnutí motora. Horúce povrchy môžu spôsobiť poranenia.
- Horúci tlmič výfuku môže mať za následok vznik požiaru. Pri používaní výrobku v blízkosti horľavých kvapalín alebo plynov zachovajte opatnosť.
- Ak je tlmič výfuku poškodený, nedotýkajte sa dielov vnútri tlmiča výfuku. Diely môžu obsahovať niektoré karcinogénne chemikálie.

Poistná matica

Poistná matica sa používa na zaistenie niektorých druhov rezacích nadstavcov.

(Obr. 23)

Pri skrútkovaní poistnej matice ju utiahajte v opačnom smere, ako je smer otáčania rezacieho nadstavca.

Funkcia odopnutia popruhu



VÝSTRAHA: Nepoužívajte popruh, ak je chybná funkcia odopnutia popruhu. Pri nastavovaní produktu sa uistite, že funkcia odopnutia popruhu správne funguje.

Funkcia odopnutia popruhu sa nachádza v prednej časti produktu. Popruhy stroja musia vždy zostať v správnej polohe.

(Obr. 24)

V prípade nebezpečenstva vám funkcia odopnutia popruhu pomôže, aby ste sa mohli bezpečne oslobodiť od produktu.

Rezací nadstavec



VÝSTRAHA: Skôr než budete výrobok používať, prečítajte si nasledujúce výstrahy.

- Vykonávajte pravidelnú údržbu. Rezací nadstavec nechajte pravidelne kontrolovať v schválenom servisnom stredisku kvôli potrebným úpravám a opravám.
- Zvýšite tak výkonnosť rezacieho nadstavca.
- Predĺžite tak životnosť rezacieho nadstavca.
- Znížite tak riziko výskytu nehôd.

Nože na trávu a rezacie zuby na trávu

- Produkt používajte iba so schváleným nožom na trávu. Nepoužívajte nôž na trávu bez riadnej inštalácie všetkých potrebných dielov. Uistite sa, že je inštalácia vykonaná správne a že sú použité správne diely. Nesprávna inštalácia môže spôsobiť uvoľnenie noža a vážne poranenie používateľa alebo osôb v okolí.
- Pri manipulácii s nožom alebo pri jeho údržbe používajte ochranné rukavice.
- Pri používaní produktu s nožom na trávu používajte ochranu hlavy.
- Nože na trávu a rezacie zuby na trávu sa používajú na kosenie hrubej trávy.
- Nôž na trávu sa bude pod vplyvom zotrvačnosti aj naďalej točiť po zastavení motora alebo uvoľnení páčky plynu a môže tak spôsobiť poranenie. Pred akoukoľvek údržbou sa uistite, že sa nôž na trávu vôbec netočí.
- Pred akoukoľvek prácou na rezacích nadstavcoch zastavte motor. Uistite sa, že sa rezací nadstavec úplne zastavil. Odpojte kábel zo zapalovacej sviečky.
- Používajte výlučne schválený rezací nadstavec alebo správne naostrený nôž.
- Udržujte zuby noža správne nabrúsené. (Obr. 25)
- Nepoužívajte poškodený rezací nadstavec.
- Pri premiestňovaní alebo odkladaní produktu nasadte na nôž na trávu transportný kryt.

Odrazenie noža

- Odrazenie noža je náhly pohyb produktu do strany, dopredu alebo dozadu. K odrazeniu noža dôjde, keď nôž na trávu alebo pilový kotúč narazí na predmet, ktorý nemôže prerezať. V oblastiach, kde nie je jednoduché vidieť rezaný materiál, sa riziko odrazenia noža zvyšuje.
- Keď dôjde k odrazeniu noža, hrozí riziko, že sa produkt alebo používateľ vychýli zo svojej polohy. Pohybujúci sa nôž môže zasiahnuť osoby v okolí a hrozí tak nebezpečenstvo poranenia.
- Ak je nôž ohnutý, sú na ňom praskliny, je zlomený alebo poškodený, zlikvidujte ho.
- Používajte ostrý nôž. Keď nôž nie je ostrý, stúpa riziko odrazenia noža.

Bezpečnosť paliva



VÝSTRAHA: Skôr než budete používať produkt, prečítajte si nasledujúce výstrahy.

- Palivo nezmiešavajte v interiéri ani v blízkosti zdroja tepla.
- Výrobok neštartujte, ak sú na ňom zvyšky paliva alebo motorového oleja. Odstráňte neželané palivo/ olej a nechajte výrobok vyschnúť. Odstráňte z výrobku neželané palivo.
- Ak vylejete palivo na odev, okamžite sa prezlečte.
- Dávajte pozor, aby ste si palivo nevyfialili na telo, pretože môže spôsobiť poranenie. Ak si palivo vylejete na telo, umyte sa pomocou mydla a vody.
- Motor neštartujte, ak olej alebo palivo vylejete na výrobok alebo na svoje telo.
- Výrobok neštartujte, ak sa na motore vyskytuje netesnosť. Pravidelne kontrolujte výskyt netesností na motore.
- Pri manipulácii s palivom zachovajte opatnosť. Palivo je horľavá látka a výpary z paliva sú výbušné a môžu spôsobiť poranenia alebo smrť.
- Vyhňte sa vdychovaniu výparov paliva, pretože môžu spôsobiť poranenie. Zabezpečte dostatočné prúdenie vzduchu.
- V blízkosti paliva alebo motora nefajčite.
- Neukladajte do blízkosti paliva alebo motora teplé predmety.
- Nedopĺňajte palivo, keď je zapnutý motor.
- Pred dopĺňaním paliva sa uistite, že motor vychladol.
- Pred dopĺňaním paliva pomaly otvorte veko palivovej nádrže a opatrne uvoľnite tlak.
- Palivo do motora nedopĺňajte v interiéri. Nedostatočné prúdenie vzduchu môže spôsobiť poranenie alebo smrť v dôsledku udusenía alebo otravy oxidom uhoľnatým.
- Starostlivo utiahnite veko palivovej nádrže, inak hrozí riziko vzniku požiaru.
- Pred spustením premiestnite výrobok minimálne 3 m od miesta, na ktorom ste dopĺňali palivo do nádrže.
- Nepreplňajte palivovú nádrž.
- Pri premiestňovaní výrobku alebo nádoby na palivo sa uistite, že z nich nevyteká palivo.
- Výrobok ani nádobu na palivo neukladajte na miesta s otvoreným ohňom, iskrami alebo trvalým plameňom. Uistite sa, že sa na mieste, na ktorom výrobok uskladníte, nenachádza otvorený oheň.
- Na premiestnenie alebo uskladnenie paliva používajte len schválené nádoby.
- Pred dlhodobým uskladnením vyprázdňte palivovú nádrž. Pri likvidácii paliva dodržiavajte miestne právne predpisy.
- Pred dlhodobým uskladnením výrobok vyčistite.
- Pred odložením odmontujte z výrobku kábel zapalovacej sviečky, aby ste sa uistili, že nedôjde k náhodnému spusteniu motora.

Bezpečnostné pokyny pre údržbu



VÝSTRAHA: Skôr než začnete s údržbou výrobku, prečítajte si nasledujúce výstrahy.

- Vykonávajte len údržbu a servisné úkony uvedené v tomto návode na obsluhu. Všetky ostatné servisné úkony a opravy nechajte vykonať profesionálnych pracovníkov servisu.
- Pravidelne vykonávajte bezpečnostné kontroly, údržby a dodržiavajte servisné pokyny uvedené v tomto návode. Pravidelná údržba predlžuje životnosť výrobku a znižuje nebezpečenstvo nehôd. Pokyny nájdete v časti *Plán údržby na strane 346*.
- Ak bezpečnostné kontroly uvedené v tomto návode na obsluhu nie sú schválené po vykonaní údržby, obráťte sa na servisného technika. Zaručujeme, pre tento výrobok sú k dispozícii profesionálne opravné a servisné služby.

Montáž

Úvod



VÝSTRAHA: Pred zostavením výrobku si musíte prečítať kapitolu o bezpečnosti a porozumieť informáciám, ktoré sa na nej uvádzajú.



VÝSTRAHA: Pred zostavením výrobku od zapalovacej sviečky odpojte kábel zapalovacej sviečky.

Montáž rukoväti

1. Odstráňte skrutku za rukoväťou s ovládaním plynu. (Obr. 26)
2. Presuňte rukoväť s ovládaním plynu na pravú stranu rukoväte.

3. Zarovnajzte otvor na skrutku za rukoväťou s ovládaním plynu s otvorom na skrutku na rukoväti.
4. Zasuňte skrutku cez otvory. Skrutku utiahnite.
5. Pripevnite rukoväť medzi šípky na hriadeľi. Skrutku utiahnite. (Obr. 27)

Pripojenie svorku popruhu

1. Nasaďte svorku popruhu na hriadeľ tak, aby bolo očko svorky popruhu hore. Umiestnite svorku popruhu nad šípky na hriadeľi.
2. Vsňte lanko plynu do drážky svorky popruhu v spodnej časti.
3. Zarovnajzte otvory na skrutky, ktoré sa nachádzajú na svorke popruhu.
4. Do otvorov na skrutky pripevnite 2 skrutky.
5. Utiahnite skrutky.

Montáž rezacieho nadstavca

Montáž krytu rezacieho nadstavca

1. Nasadíte kryt rezacieho nadstavca (A) na hriadeľ. (Obr. 28)
2. Nasadíte podporu (B) do zárezu na kryte rezacieho nadstavca.
3. Vložíte skrutku (C) cez otvor na podpere do otvoru na kryte rezacieho nadstavca a upevníte ju.

Montáž noža na trávnu

1. Uistíte sa, že je na výrobku upevnený kryt rezacieho nadstavca (A). Pozrite si časť *Montáž krytu rezacieho nadstavca na strane 343*. (Obr. 29)
2. Vložíte poistný kolík (B) do otvoru na zaistenie hriadeľa.
3. Nasadíte nôž (E), podpornú miskú (F) a podpornú prírubu (G) na výstupný hriadeľ (D).
4. Skontrolujete, či je hnací disk (C) správne uchytený v stredovom otvore noža. (Obr. 30)
5. Nasadíte poistnú maticu (H) na výstupný hriadeľ. Pridržíte rukoväť kombinovaného kľúča pri kryte

rezacieho nadstavca. Otáčaním kombinovaného kľúča proti smeru hodinových ručičiek utiahnete poistnú maticu. Poistnú maticu treba utiahnuť uťahovacím momentom 35 – 50 Nm/26 – 36 ft/lb.

6. Odstráňte poistnú závlačku.

Prípevnenie vyžínacej hlavy

1. Uistíte sa, že je na výrobku upevnený kryt rezacieho nadstavca (A). Pozrite si časť *Montáž krytu rezacieho nadstavca na strane 343*. (Obr. 31)
2. Skontrolujete, či je hnací disk (C) prípevnený k výstupnému hriadeľu (D).
3. Vložíte poistný kolík (B) do otvoru na zaistenie hriadeľa.
4. Nasadíte vyžínaciu hlavu (E) na výstupný hriadeľ.
5. Otočením vyžínacej hlavy proti smeru hodinových ručičiek ju utiahnete a upevníte k výstupnému hriadeľu. (Obr. 32)
6. Odstráňte poistnú závlačku.

Prevádzka

Úvod



VÝSTRAHA: Pred používaním výrobku si musíte prečítať kapitolu o bezpečnosti a porozumieť informáciám, ktoré sa v nej uvádzajú.

(87 AKI). Mohlo by to viesť k poškodeniu výrobku.



VAROVANIE: Nepoužívajte benzín s vyššou než 10 % koncentráciou etanolu (E10). Mohlo by to viesť k poškodeniu výrobku.

Palivo

Tento výrobok má dvojtaktný motor.



VAROVANIE: Nesprávny typ paliva môže poškodiť motor. Používajte zmes benzínu a dvojtaktného oleja.

- Vždy používajte nový bezolovnatý benzín s minimálnym oktánovým číslom 90 RON (87 AKI) a maximálne 10 % koncentráciou etanolu (E10).
- Ak výrobok často používate na dlhodobé práce pri vysokých otáčkach, odporúčame používať vysokooktánový benzín.

Namiešané palivo

- Na dosiahnutie najlepšieho výkonu a maximalizáciu životnosti motora použite namiešané kvalitné alkylátové palivo Husqvarna. Toto palivo obsahuje v porovnaní s bežným palivom menej škodlivých látok, čo znižuje objem škodlivých výfukových plynov. Množstvo zvyškov po spaľovaní je pri tomto palive nižšie, čo udržuje komponenty motora čistejšie.

Dvojtaktný olej

- Na dosiahnutie najlepších výsledkov používajte dvojtaktný olej Husqvarna.
- Ak nemáte k dispozícii dvojtaktný olej Husqvarna, môžete použiť iný dvojtaktný olej vysokej kvality, ktorý je určený pre vzduchom chladené motory. S výberom správneho oleja vám poradí váš servisný predajca.

Miešanie paliva

Benzín



VAROVANIE: Nepoužívajte benzín s oktánovým číslom menším než 90 RON



VAROVANIE: Nepoužívajte olej pre dvojtaktné motory určený pre vodou chladené motory, niekedy označovaný aj ako olej pre lodné motory. Nepoužívajte oleje určené pre štvortaktné motory.

Vytvorenie zmesi benzínu a oleja pre dvojtaktné motory

Benzín, liter	Olej pre dvojtaktné motory, liter
	2 % (50:1)
5	0,10
10	0,20
15	0,30
20	0,40



VAROVANIE: Pri miešaní malého množstvo paliva môžu malé chyby výrazne ovplyvniť pomer zmesi. Opatrne odmerajte množstvo oleja, aby ste získali správnu zmes.

(Obr. 33)

1. Polovicu množstva benzínu nalejte do čistej nádoby na palivo.
2. Pridajte celú dávku oleja.
3. Zmes paliva premiešajte.
4. Do nádoby pridajte zvýšené množstvo benzínu.
5. Zmes paliva opatrne premiešajte.



VAROVANIE: Zmes paliva nemiešajte na viac ako 1 mesiac.

Pridanie paliva

- Vždy používajte nádobu na palivo s ventilom proti pretečeniu paliva.
- Ak sa palivo vyleje na nádobu, odstráňte neželané palivo a nechajte nádobu vyschnúť.
- Uistite sa, že oblasť okolo veka palivovej nádrže je čistá.
- Pred doplnením paliva do palivovej nádrže nádobu na palivo pretrepte.

Vykonajte zábeh

- Počas prvých 10 hodín prevádzky nepoužívajte dlhý čas plný plyn bez zaťaženia.

Zapnutie a vypnutie

Kontrola pred naštartovaním

1. Skontrolujte, či výrobok nemá poškodené, uvoľnené alebo opotrebované diely a či niektoré diely nechýbajú.
2. Skontrolujte, či sú utiahnuté matice a skrutky.
3. Skontrolujte, či nie sú poškodené nože alebo vyvážacia hlava.

4. Skontrolujte, či je utiahnutá poistná matica. Pozrite si časť *Kontrola poistickej matice na strane 347*.
5. Uistite sa, že nie je upchatý vzduchový filter.
6. Skontrolujte, či sú bezpečnostné zariadenia na výrobku nepoškodené.
7. Skontrolujte, či na výrobku nedochádza k úniku paliva.

Nastavenie popruhu



VÝSTRAHA: Výrobok musí byť vždy správne upevnený k popruhu. Nepoužívajte poškodený popruh.

1. Popruh si preveste cez plecica.
2. Výrobok pripojte k popruhu.
3. Upravte popruh do čo najvhodnejšej pracovnej polohy.
4. Upravte bočné popruhy tak, aby hmotnosť výrobku spočívala rovnomerne na oboch ramenách. (Obr. 34)
5. Nastavte si správnu polohu popruhov tak, aby bol rezací nadstavec rovnobežne so zemou.
6. Nechajte rezací nadstavec zľahka sa opierať o zem. Nastavte svorku popruhu na správne vyváženie produktu.

Poznámka: Ak používate nôž na trávu, musíte stroj vyvážiť tak, aby voľne visel vo výške približne 10 cm/4 palce nad zemou

Štartovanie studeného motora

1. 10-krát stlačte balónik pumpy. (Obr. 35)
2. Potiahnite ovládanie sýtiča smerom nahor. (Obr. 36)
3. Ľavou rukou držte telo výrobku na zemi. (Obr. 37) Na výrobok nestúpajte. Pomaly potiahnite rukoväť štartovacieho lanka, kým nepocítite istý odpor. Potom rukoväť štartovacieho lanka silno potiahnite.

Poznámka: Počas štartovania motora neťahajte za páčku plynu.

4. Ťahajte rukoväť štartovacieho lanka, kým sa motor nenašartuje alebo sa nepokúsi naštartovať (max. 3 potiahnutia). Ak motor naštartuje alebo sa pokúša naštartovať, potlačte ovládanie sýtiča nadol. Pokračujte v ťahaní, kým motor nenašartuje. Po naštartovaní počkajte 60 sekúnd a až potom potiahnite páčku plynu.



VAROVANIE: Štartovacie lanko neťahajte, kým sa nezastaví. Keď je štartovacie lanko úplne vyťahnuté, nepúšťajte ho. Štartovacie lanko pomaly uvoľnite. Nedodržanie týchto pokynov môže viesť k poškodeniu motora.

Štartovanie teplého motora

1. 10-krát stlačte balónik pumpy.
2. Ťahajte štartovacie lanko, kým motor nenašartuje.

Naštartovanie motora v prípade, že je palivo príliš horúce

Ak sa výrobok nenašartuje, palivo môže byť príliš horúce.

Poznámka: Vždy používajte nové palivo a skráťte prevádzkový čas v teplem počasí.

1. Výrobok chráňte pred priamym slnečným svetlom a odkladajte ho na chladné miesto.
2. Výrobok nechajte vychladnúť minimálne 20 minút.
3. Opakovane stláčajte balónik pumpy 10 – 15 sekúnd.
4. Dodržiavajte pokyny pri štarte studeného motora. Pozrite si časť *Štartovanie studeného motora na strane 344*.

Vypnutie

- Stlačením vypínača zastavte motor. (Obr. 21)

Poznámka: Vypínač sa automaticky vráti do svojej východiskovej polohy.

Používanie vyžínača trávnik



VAROVANIE: Uistite sa, že po každom úkone motor spomalí na voľnobežné otáčky. Dlhodobé používanie výrobku na plný plyn bez zaťaženia motora môže viesť k poškodeniu motora.

Poznámka: Aby ste zabránili vibráciám, pri pripieňovaní nového žacieho lanka vyčistite vyžínaciu hlavu. Skontrolujte ostatné časti vyžínacej hlavy a v prípade potreby ich vyčistite.

Vyžinanie trávy

1. Vyžínaciu hlavu držte okamžite nad zemou a v uhle. Netlačte lanko vyžínača na trávnik. (Obr. 38)
2. Skráťte dĺžku lanka vyžínača na 10 – 12 cm.
3. Znížte otáčky motora, aby ste znížili riziko poškodenia rastlín.
4. Pri kosení trávnik v blízkosti predmetov používajte plyn na 80 %. (Obr. 39)

Kosenie trávnik

1. Pri kosení trávnik sa uistite, že je lanko vyžínača trávnik rovnobežne so zemou. (Obr. 40)
2. Netlačte vyžínaciu hlavu k zemi. Mohlo by to viesť k poškodeniu výrobku.

3. Pri kosení trávnik posúvajte výrobok zo strany na stranu. Použite plný plyn. (Obr. 41)

Začisťovanie trávy nožom na trávu

1. Kosiace nože na trávu sa nesmú používať na rezanie drevených kmeňov.
2. Nôž na trávu sa používa na všetky typy vysokých alebo hrubých stoniek rastlín.
3. Trávnatý porast sa kosí kývavým pohybom do strán, pričom pohyb sprava doľava je kosiaci a pohyb zľava doprava je vratný (naprázdno). Ľavá strana noža (v uhle medzi 8 až 12 hodinami) je určená na kosenie.
4. Pokiaľ je nôž pri kosení trávy naklonený doľava, tráva sa zhromažďuje na línii, kde sa dá ľahšie zozbierať napríklad hrabaním.
5. Pokúste sa pracovať rytmicky. Stojte pevne s nohami od seba. Po vykonaní prázdneho vratného zdvihu postúpte vpred a opäť sa pevne postavte.
6. Nechajte podpornú miskú zľahka ležať na zemi. Používa sa na ochranu noža proti kontaktu so zemou.
7. Zmenšite riziko namotania rastlín okolo noža tým, že budete vždy pracovať s motorom na plný plyn a pri vratnom pohybe sa vyhnete už odrezanému materiálu.
8. Skôr ako začnete zbierať nakosený materiál, zastavte chod stroja, odopnite stroj z postroja a položte stroj na zem.

Vyžinacia hlava na trávnik

- Za účelom zníženia vibrácií sa uistite, že žacie lanko trávnik pevne a rovnomerne obmotáte okolo cievky.
- Používajte len schválené vyžinacie hlavy na trávnik a žacie lanká trávnik. Pozrite si časť *Príslušenstvo na strane 350*.
- Používajte správnu dĺžku žacieho lanka trávnik. Dlhé žacie lanko trávnik vyžaduje väčší výkon motora ako krátke žacie lanko.
- Uistite sa, že nie je poškodený rezací zub na chrániči rezacieho nadstavca.
- Pred pripieňaním k výrobku namočte žacie lanko trávnik na 2 dni do vody. Zvýšite tak životnosť žacieho lanka trávnik.

Výmena žacieho lanka

- (Obr. 42)
(Obr. 43)
(Obr. 44)
(Obr. 45)
(Obr. 46)
(Obr. 47)
(Obr. 48)
(Obr. 49)

Údržba

Úvod



VÝSTRAHA: Pred vykonávaním akejkoľvek údržby si musíte prečítať kapitolu o bezpečnosti a porozumieť jej.

Údržba a opravné práce na výrobku si vyžadujú špeciálne školenie. Zaručujeme dostupnosť profesionálnych opravných prác a údržby. Ak váš predajca nie je servisný zástupca, kontaktujte predajcu, ktorý vám poskytne informácie o najbližšom servisnom zástupcovi.

Plán údržby

Týždenná údržba

- Vyčistíte vonkajšie povrchy.
- Skontrolujte, či sa pri voľnobehu neatáča rezací nadstavec. Pozrite si časť *Nastavenie voľnobežných otáčok na strane 346*.
- Skontrolujte úroveň maziva v kuželovom prevode. Pozrite si časť *Doplnenie maziva do kuželového prevodu na strane 347*.
- Skontrolujte poistnú maticu. Pozrite si časť *Kontrola poistnej matice na strane 347*.

Mesačná údržba

- Skontrolujte, či rukoväť štartovacieho lanka a štartovacie lanko nie sú poškodené.

Ročná údržba

- Skontrolujte zapaľovaciu sviečku. Pozrite si časť *Kontrola zapaľovacej sviečky na strane 346*.
- Vyčistíte vonkajšie povrchy karburátora a príslušné miesta.
- Vyčistíte chladiaci systém.
- Skontrolujte kryt na ochranu pred iskrami. Pozrite si časť *Údržba krytu na ochranu pred iskrami na strane 346*.
- Skontrolujte palivový filter.
- Skontrolujte, či palivová hadica nie je poškodená.
- Skontrolujte, či káble a pripojenia na výrobku nie sú poškodené.

Nastavenie voľnobežných otáčok

- Pred nastavením voľnobežných otáčok sa uistite, že je čistý vzduchový filter a pripevnený kryt vzduchového filtra.
- Pomocou nastavovacej skrutky T voľnobehu (označená písmenom „T“) nastavte voľnobežné otáčky.
- Voľnobežné otáčky sú nastavené správne, ak motor beží plynulo vo všetkých polohách. Voľnobežné otáčky musia byť nižšie ako otáčky, pri ktorých sa začne pohybovať rezací nadstavec.

1. Otáčajte nastavovaciu skrutku voľnobehu v smere hodinových ručičiek, kým sa rezací nadstavec nezačne točiť. (Obr. 50)
2. Otáčajte nastavovaciu skrutku voľnobehu proti smeru hodinových ručičiek, kým sa rezací nadstavec nezastavi.

Údržba krytu na ochranu pred iskrami

Kryt na ochranu pred iskrami vyčistíte pomocou drôtenej kefy.

(Obr. 51)

Čistenie chladiaceho systému

Súčasti chladiaceho systému vyčistíte pomocou kefy.

(Obr. 52)

Kontrola zapaľovacej sviečky



VAROVANIE: Používajte odporúčanú zapaľovaciu sviečku. Uistite sa, že pri výmene použijete rovnaký diel ako diel dodaný výrobcom. Nesprávny typ zapaľovacej sviečky môže viesť k poškodeniu výrobku.

1. Zapaľovaciu sviečku skontrolujte v prípade:
 - a) nízkeho výkonu motora,
 - b) problémov s naštartovaním motora,
 - c) nesprávnej prevádzky motora pri voľnobežných otáčkach.
2. Ak máte problémy s naštartovaním alebo prevádzkou motora, skontrolujte, či sa na zapaľovacej sviečke nevyskytuje neželaný materiál. Zníženie rizika prítomnosti neželaného materiálu na elektródach zapaľovacej sviečky:
 - a) uistite sa, že sú správne nastavené voľnobežné otáčky,
 - b) uistite sa, že používate správnu zmes paliva,
 - c) uistite sa, že je čistý vzduchový filter.
3. Ak je zapaľovacia sviečka znečistená, vyčistite ju. Skontrolujte správnosť medzery medzi elektródami. (Obr. 53)
4. V prípade potreby vymeňte zapaľovaciu sviečku.

Údržba vzduchového filtra

Čistenie vzduchového filtra

1. Odstráňte kryt vzduchového filtra a vzduchový filter. (Obr. 54)

- Očistíte vzduchový filter teplou mydlovou vodou. Pred opätovným vložením sa uistíte, že je vzduchový filter suchý.
- Ak je vzduchový filter príliš znečistený a nie je možné ho vyčistiť, vymeňte ho. Poškodený vzduchový filter vždy vymeňte.
- Ak je výrobok vybavený penovým vzduchovým filtrom, použite olej vzduchového filtra. Olej vzduchového filtra aplikujte len na penový vzduchový filter. Neaplikujte olej na plstený filter.

Aplikácia oleja vzduchového filtra



VAROVANIE: Na penové vzduchové filtre vždy aplikujte špeciálny olej vzduchového filtra. Nepoužívajte iné typy olejov.



VÝSTRAHA: Dávajte pozor, aby ste si olej nevyliali na telo.

- Odstráňte kryt vzduchového filtra a vzduchový filter. (Obr. 55)
- Vložte vzduchový filter do plastového vrečka.
- Nalejte do plastového vrečka olej vzduchového filtra. (Obr. 56)
- Stlačením plastového vrečka sa uistíte, že olej rovnomerne prekryje celý vzduchový filter.
- Stlačením vzduchového filtra vo vrečku odstráňte z filtra nadbytočný olej. Vyberte vzduchový filter z vrečka.
- Nainštalujte vzduchový filter.

Doplnenie maziva do kužeľového prevodu

Uistite sa, že je kužeľový prevod do 3/4 naplnený mazivom pre kužeľový prevod.

(Obr. 57)

Kontrola poistnej matice



VAROVANIE: Po každom 10. použití poistnú maticu vymeňte.

- Otáčaním poistnej matice proti smeru hodinových ručičiek utiahnite poistnú maticu. Ak chcete poistnú maticu uvoľniť, otáčajte ňou v smere hodinových ručičiek. (Obr. 58)
- Skontrolujte, či sa nedá nylonový krúžok poistnej matice pootočiť rukami. Nylonový krúžok musí zabezpečiť odpor na úrovni najmenej 1,5 Nm (1,1 ft/lb).
- Ak je odpor nižší, ako je minimálna povolená hranica, poistnú maticu je potrebné utiahnuť uťahovacím momentom 35 – 50 Nm/26 – 36 ft/lb.



VAROVANIE: Ak poistnú maticu utiahnete príliš silno, môžu sa poškodiť závit.

Ostrenie kotúča alebo noža na trávu



VÝSTRAHA: Zastavte motor. Používajte ochranné rukavice.

- Na správne naostrenie kotúča alebo noža na trávu postupujte podľa pokynov poskytnutých k rezaciemu nadstavcu.
- Všetky hrany v záujme zaručenia rovnováhy naostríte rovnomerne.
- Použite jednostranný plochý pilník. (Obr. 59)



VÝSTRAHA: Poškodený kotúč alebo nôž vždy zahodte. Nepokúšajte sa vyrovnávať ohnutý alebo skrútený kotúč alebo nôž a používať ho znova.

Riešenie problémov

Motor neštartuje

Kontrola	Možná príčina	Postup
Vypínač.	Vypínač je v polohe Stop.	Prepnite vypínač do štartovacej polohy.
Západky štartéra.	Západky štartéra sa voľne nepohybujú.	Zložte kryt štartéra a očistite okolie západiek štartéra. Požiadajte o pomoc schváleného servisného zástupcu.
Palivová nádrž.	Nesprávny typ paliva.	Vypustite palivovú nádrž a naplňte ju správnym palivom.

Kontrola	Možná příčina	Postup
Zapařovací sviečka.	Zapařovací sviečka je špinavá alebo mokrá.	Uistite sa, že je zapařovací sviečka suchá a čistá.
	Medzi elektródami zapařovacej sviečky je nesprávna medzera.	Vyčistite zapařovaciu sviečku. Skontrolujte správnu šírku medzery medzi elektródami. Skontrolujte, či má zapařovací sviečka odrušovaciu koncovku.
		Informácie o správnosti medzery medzi elektródami nájdete v časti s technickými údajmi.
	Zapařovací sviečka je uvoľnená.	Utiahnite zapařovaciu sviečku.

Motor našartuje, no znova sa vypne

Kontrola	Možná příčina	Postup
Palivová nádrž	Nesprávny typ paliva.	Vypustite palivovú nádrž a naplňte ju správnym palivom.
Vzduchový filter	Vzduchový filter je upchatý.	Vyčistite vzduchový filter.

Preprava, skladovanie a likvidácia

Preprava a uskladnenie

- Pred prepravou alebo uskladnením nechajte výrobok vychladnúť.
- Pred dlhodobým skladovaním odstráňte kryt zapařovacej sviečky.
- Pred prepravou výrobok upevnite. Presvedčte sa, že sa ním nedá pohnúť.

- Presvedčte sa, že počas prepravy a skladovania nehrozí žiadne nebezpečenstvo úniku paliva, vzniku palivových výparov, isker ani plameňov.
- Počas prepravy a skladovania nasadte transportný kryt.
- Pred dlhodobým uskladnením výrobok vyčistite a vykonajte jeho servis.

Technické údaje

Technické údaje

	325R
	A05328CBHV
Motor	
Objem valca, cm ³	27,6
Voľnobežné otáčky, ot./min	2 800 – 3 200
Odporúčané max. otáčky, ot./min	8 000
Výkon/max. výkon motora podľa normy ISO 8893, kW/hp pri ot./min.	0,9/1,2 pri 8 000
Tlmič výfuku s katalyzátorom	Áno

	325R A05328CBHV
Otáčky výstupného hriadeľa, ot./min	7 200
Systém zapaľovania	
Zapaľovacia sviečka	Husqvarna HQT-4
Vzdialenosť elektród, mm	0,5
Palivový systém	
Objem palivovej nádrže, l/cm ³	0,343/343
Rozmery výrobku	
Hmotnosť, kg	5,5
Emisie hluku⁶⁷	
Nameraná hladina akustického výkonu, vybavené nožom na trávu, dB(A)	108
Nameraná hladina akustického výkonu, vybavené vyžínacou hlavou, dB(A)	110
Hladina akustického výkonu, zaručovaná (L _{WA}), vybavené nožom na trávu, dB(A)	112
Hladina akustického výkonu, zaručovaná (L _{WA}), vybavené vyžínacou hlavou, dB(A)	114
Úrovně hlučnosti⁶⁸	
Úroveň akustického tlaku pri uchu používateľa, vybavené nožom na trávu, dB(A)	96
Úroveň akustického tlaku pri uchu používateľa, vybavené vyžínacou hlavou, dB(A)	95
Úrovně vibrácií⁶⁹	
Ekvivalentná hladina vibrácií (ahv, eq), vybavené nožom na trávu, ľavá rukoväť, m/s ²	5,1
Ekvivalentná hladina vibrácií (ahv, eq), vybavené nožom na trávu, pravá rukoväť, m/s ²	5,7
Ekvivalentná hladina vibrácií (ahv, eq), vybavené vyžínacou hlavou, ľavá rukoväť, m/s ²	4,1
Ekvivalentná hladina vibrácií (ahv, eq), vybavené vyžínacou hlavou, pravá rukoväť, m/s ²	4,9

⁶⁷ Emisie hluku merané ako akustický výkon (L_{WA}) v súlade s európskou smernicou 2000/14/ES. Uvádzaná hladina akustického výkonu pre výrobok bola meraná s originálnym rezacím nadstavcom, ktorý produkuje najvyššiu úroveň. Rozdiel medzi zaručeným a nameraným akustickým výkonom spočíva v tom, že zaručený akustický výkon zahŕňa aj rozptyl výsledkov merania a rozdiely medzi jednotlivými výrobkami rovnakého modelu v súlade so smernicou 2000/14/ES.

⁶⁸ Uvedené údaje pre ekvivalentnú hladinu akustického tlaku majú typický štatistický rozptyl (štandardnú odchýlku) 1 dB (A).

⁶⁹ Uvádzané údaje pre ekvivalentnú hladinu vibrácií majú typický štatistický rozptyl (štandardnú odchýlku) 1 m/s².

Príslušenstvo

Príslušenstvo

Schválené príslušenstvo	Typ	Chránič rezacieho nadstavca
Závitový hriadeľ	M10L	
Vyžínacia hlava	T35, 2,4 mm	588 11 79-01
Nôž na trávu	Grass 255-4, Ø 250	588 11 79-01

ES vyhlásenie o zhode

Obsah vyhlásenia o zhode ES

V mene spoločnosti Husqvarna AB, SE 561 82
Husqvarna, ŠVÉDSKO, vyhlasujeme s plnou
zodpovednosťou, že reprezentovaný výrobok:

Popis	Benzínový vyžinač trávnik/krovinorez
Značka	Husqvarna
Platforma/Typ/Model	Platforma A05328CBHV, reprezentuje model 325R.
Séria	Výrobné číslo z roku 2018 a nasledujúcich rokov.

plne spĺňa nasledujúce smernice a nariadenia EÚ:

Smernice/Nariadenia	Popis
2006/42/EC	„o strojových zariadeniach“
2014/30/EÚ	„týkajúca sa elektromagnetickej kompatibility“
2000/14/ES	„týkajúca sa hluku vo voľnom priestranstve“
2011/65/EÚ	„o obmedzení používania určitých nebezpečných látok“

Spĺňa nasledovné použité harmonizované normy a/alebo technické špecifikácie: EN ISO 12100, EN ISO 11806-1, CISPR 12, ISO 14982, EN 50581:2012.

V súlade s ustanovením prílohy V smernice 2000/14/ES sú deklarované úrovne hluku uvedené v časti o technických údajoch tohto návodu na obsluhu a v podpísanom Vyhlásení o zhode ES.

Spoločnosť TÜV Rheinland N.A. vykonala nepovinnú skúšku v mene spoločnosti Husqvarna AB a udelila Certifikát zhody so smernicou Rady 2006/42/ES o strojových zariadeniach.

V zmysle Vyhlásenia o zhode ES je tento certifikát platný pre všetky miesta výroby a krajiny pôvodu, ako sú vyznačené na produkte.

Dodávaný benzínový vyžinač trávnik/krovinorez sa zhoduje so vzorkou, ktorá prešla skúškou.

VSEBINA

Uvod.....	352	Odpravljanje težav.....	362
Varnost.....	353	Transport skladiščenje in odstranitev.....	362
Montaža.....	357	Tehnični podatki.....	363
Delovanje.....	358	Dodatna oprema.....	364
Vzdrževanje.....	360	Izjava ES o skladnosti.....	365

Uvod

Navodila za uporabo

Originalni jezik teh navodil za uporabo je angleščina. Navodila za uporabo v drugih jezikih so prevodi iz angleščine.

Namen uporabe

Izdelek uporabljajte z nožem za travo ali kosilno glavo za rezanje različnega rastlinja.

Pregled izdelka

(Sl. 1)

1. Kosilna glava
2. Pokrovček polnilne odprtine za mast
3. Kotni prenos
4. Ščitnik rezalnega priključka
5. Gred
6. Izklopno stikalo
7. Ročica plina
8. Zaklep ročice plina
9. Ročaj
10. Sponka oprtnika
11. Ohišje zaganjalnika
12. Pokrov svečke, svečka
13. Ročica zaganjalne vrvice
14. Posoda za gorivo
15. Pokrov zračnega filtra
16. Membrana črpalke goriva
17. Ročica čoka
18. Prilagoditev ročaja
19. Žična potega za plin
20. Gumb hitrega prostega teka
21. Oprtnik
22. Kombiniran ključ
23. Navodila za uporabo
24. Transportna zaščita
25. Rezilo
26. Podporna skleda
27. Oporna prirobnica
28. Zaklepna matica

Opomba: Uporaba tega izdelka je lahko omejena z nacionalnimi predpisi.

29. Pogonski disk
30. Blokirni zatič
31. Ključ Inbus

Simboli na izdelku

- (Sl. 2) **OPOZORILO!** Ta izdelek je nevaren. Nepredvidna in nepravilna uporaba izdelka lahko povzroči poškodbe in celo smrt uporabnika ali drugih navzočih oseb. Da preprečite poškodbe uporabnika ali drugih navzočih oseb, preberite in upoštevajte varnostna navodila v navodilih za uporabo.
- (Sl. 3) Pred uporabo izdelka natančno preberite navodila za uporabo in se prepričajte, da ste jih razumeli.
- (Sl. 4) Na območjih, kjer bi lahko na vas padel kakšen predmet, uporabljajte zaščitno čelado. Uporabljajte odobreno zaščitno za sluh. Uporabljajte odobreno zaščitno oči.
- (Sl. 5) Uporabljajte odobrene zaščitne rokavice.
- (Sl. 6) Uporabljajte trpežno obutev, ki ne drsi.
- (Sl. 7) Puščici prikazujeta meje položaja ročaja.
- (Sl. 8) Izdelek lahko povzroči izmet predmetov, kar lahko vodi do poškodb.
- (Sl. 9) Najvišja hitrost pogonske gredi.
- (Sl. 10) Med uporabo izdelka bodite na varni razdalji 15 m/50 čevljev od drugih oseb in živali.

- (Sl. 11) Če se rezalna oprema dotakne predmeta, ki ga ne odreže nemudoma, obstaja tveganje za nevaren izmet materiala. Izdelek lahko odreže telesne dele. Med uporabo izdelka bodite na varni razdalji 15 m/50 čevljev od drugih oseb in živali.
- (Sl. 12) Membrana črpalke goriva.
- (Sl. 13) Čok.
- (Sl. 14) Delov telesa ne približajte vročim površinam.
- (Sl. 15) Emisije hrupa v okolje so v skladu z direktivo Evropske skupnosti. Podatki o emisijah izdelka so navedeni v poglavju "Tehnični podatki" in na nalepki.
- (Sl. 16) Izdelek je skladen z veljavnimi direktivami ES.
- (Sl. 17) Izdelek je skladen z veljavnimi direktivami EAC.

Na tipski ploščici je navedena serijska številka. **yyyy** je letnica, **ww** je teden izdelave in **xxxxx** je serijska številka.

yyyywwxxxxx

Opomba: Ostali znaki in oznake na izdelku se nanašajo na zahteve za certifikacijo, ki veljajo za druga komercialna območja.

Odgovornost proizvajalca

Kot je navedeno v zakonodaji, ki ureja odgovornost proizvajalca, ne prevzemamo nikakršne odgovornosti za poškodbe, ki bi jih naši izdelki povzročili v naslednjih primerih:

- Izdelek ni pravilno popravljen.
- Izdelek je popravljen z deli, ki jih ni izdelal ali odobril proizvajalec.
- Na izdelku je nameščena dodatna oprema, ki je ni izdelal ali odobril proizvajalec.
- Izdelek ni bil popravljen v pooblaščenem servisnem centru ali pri pooblaščenem organu.

EU V



OPOZORILO: Zaradi predelave motorja se razveljavi EU-homologacija tega izdelka.

Varnost

Varnostne definicije

Opozorila, svarila in opombe opozarjajo na posebje pomembne dele priročnika.



OPOZORILO: Se uporabi, če obstaja nevarnost telesne poškodbe ali smrti uporabnika ali opazovalcev ob neupoštevanju navodil v tem priročniku.



POZOR: Se uporabi, če obstaja nevarnost poškodbe izdelka, drugih materialov ali okolice ob neupoštevanju navodil v tem priročniku.

Opomba: Se uporabi za podajanje podrobnejših informacij, potrebnih v dani situaciji.

Zaščita pred vibracijami

Izdelek je namenjen izključno občasni uporabi. Nепrekinjena ali redna uporaba izdelka lahko povzroči delno prekinitve prekrvavitve prstov ali enakovredne zdravstvene težave zaradi vibracij. Pred neprekinjeno ali

redno uporabo izdelka pregledajte stanje svojih rok in prstov. Če roke ali prsti izgubijo barvo, v njih čutite bolečino ali mravljinice ali so otopeli, prenehajte z delom in se nemudoma posvetujte z zdravnikom.

Splošna varnostna navodila



OPOZORILO: Pred uporabo izdelka preberite navodila v povezavi z opozorili v nadaljevanju.

- Izdelek uporabljajte pravilno. Če izdelka ne uporabljate pravilno, lahko pride do poškodb ali smrti. Izdelek uporabljajte samo za opravila, ki so navedena v tem priročniku. Izdelka ne uporabljajte za druga opravila.
- Sledite navodilom v tem priročniku. Upoštevajte varnostne simbole in navodila. Če uporabnik ne upošteva navodil in simbolov, lahko pride do poškodb ali smrti.
- Priročnika ne zavrzite. Sledite navodilom pri sestavljanju, uporabi in vzdrževanju izdelka v brezhibnem stanju. Navodila uporabljajte za pravilno namestitvev priključkov in dodatne opreme.

Uporabljajte samo odobrene priključke in dodatno opremo.

- Ne uporabljajte poškodovanega izdelka. Sledite urniku vzdrževanja. Izvajajte samo postopke vzdrževanja, za katere ta priročnik vsebuje navodila. Vse druge postopke vzdrževanja mora izvesti pooblaščen servisni center.
- Ta priročnik ne more vsebovati vseh okoliščin, do katerih lahko pride pri uporabi izdelka. Bodite previdni in ravnajte razumno. Če niste prepričani glede določenih okoliščin, izdelka ne uporabljajte oziroma na izdelku ne izvajajte postopkov vzdrževanja. Za informacije se obrnite na strokovnjaka za izdelek, prodajalca, pooblaščen servisno delavnico ali servisni center.
- Pred sestavljanjem, skladiščenjem in vzdrževanjem izdelka odklopite kabel vžigalne svečke.
- Izdelka ne uporabljajte, če so se spremenile njegove originalne specifikacije. Ne spreminjajte delov izdelka brez vnaprejšnje odobritve proizvajalca izdelka. Uporabljajte samo dele, ki jih je odobril proizvajalec. Zaradi neustreznega vzdrževanja lahko pride do poškodb ali smrti.
- Ne vdihavajte plinov iz motorja. Dolgotrajno vdihavanje izpušnih plinov motorja je zdravju nevarno.
- Izdelka nikoli ne zaganjajte v zaprtih prostorih ali v bližini vnetljivih materialov. Izpušni plini so vroči in lahko vsebujejo iskre, ki lahko povzročijo požar. Nezadosten pretok zraka lahko povzroči poškodbe ali smrt zaradi zadušitve ali zastrupitve z ogljikovim monoksidom.
- Pri uporabi tega izdelka motor ustvari elektromagnetno polje. Elektromagnetno polje lahko poškoduje medicinske vsadke. Pred uporabo izdelka se posvetujte z zdravnikom in proizvajalcem medicinskih vsadkov.
- Izdelka ne smejo uporabljati otroci. Izdelka ne smejo uporabljati osebe, ki ne poznajo navodil za uporabo.
- Če izdelek uporabljajo osebe z zmanjšanimi fizičnimi ali intelektualnimi sposobnostmi, jih morate nenehno nadzorovati. Vedno mora biti prisotna odgovorna odrasla oseba.
- Izdelek zaklenite na mesto, kamor otroci in nepooblaščen osebe nimajo dostopa.
- Izdelek lahko povzroči izmet predmetov, zaradi česar lahko pride do poškodb. Upoštevajte varnostna navodila, da zmanjšate nevarnost poškodb ali smrti.
- Ko je motor vklopljen, se ne oddaljajte od izdelka.
- Za morebitne nesreče je odgovoren uporabnik izdelka.
- Pred uporabo izdelka se prepričajte, da deli izdelka niso poškodovani.
- Pred uporabo izdelka se prepričajte, da ste od drugih oseb ali živali oddaljeni najmanj 15 m (50 čevljev). Osebe v bližini obvestite, da izdelek nameravate uporabljati.

- Ravnajte v skladu z nacionalno ali lokalno zakonodajo. Ta lahko v določenih primerih prepreči ali omeji uporabo izdelka.
- Izdelka ne uporabljajte, ko ste utrujeni, ali pod vplivom alkohola, drog ali zdravil. Lahko vplivajo na vid, pozornost, koordinacijo ali presojo.

Varnostna navodila za nameščanje



OPOZORILO: Pred uporabo izdelka preberite navodila v povezavi z opozorili v nadaljevanju.

- Preden sestavite izdelek odklopite pokrovček vžigalne svečke s svečke.
- Uporabljajte odobrene zaščitne rokavice.
- Pred zagonom motorja se prepričajte, da ste pravilno namestili pokrov in gred.
- Pogonski disk in oporna prirobnica se morata pravilno zaskočiti v središčno odprtino rezalnega priključka. Rezalni priključek je nameščen napačno in lahko povzroči težke poškodbe ali smrt uporabnika ali drugih.
- Za varno uporabo izdelka in preprečitev poškodb uporabnika ali drugih oseb mora biti izdelek vedno pravilno nameščen na optnik.

Varnostna navodila za uporabo



OPOZORILO: Pred uporabo izdelka preberite navodila v povezavi z opozorili v nadaljevanju.

- Izdelek mora biti pred uporabo popolnoma sestavljen.
- Pred zagonom izdelek premaknite 3 m/10 čevljev stran od mesta, kjer ste napolnili posodo za gorivo. Izdelek postavite na ravno podlago. Zagotovite, da se rezalni priključek ne dotika tal ali drugih predmetov.
- Izdelek lahko povzroči izmet predmetov, ki lahko poškodujejo oči. Pri uporabi izdelka vedno uporabljajte odobreno zaščito oči.
- Bodite previdni, saj se lahko izdelku med uporabo brez vaše vednosti približa otrok.
- Izdelka ne uporabljajte, če so na delovnem območju druge osebe. Če na delovno območje vstopi druga oseba, izdelek izklopite.
- Izdelek imejte vedno pod nadzorom.
- Izdelka ne uporabljajte, če v primeru nesreče ne morete pravočasno prejeti pomoči. Preden začnete uporabljati izdelek, druge osebe vedno obvestite, da izdelek nameravate uporabljati.
- Preden izdelek vklopite, se prepričajte, da so druge osebe ali živali ustrezno oddaljene.
- Preden začnete uporabljati izdelek, iz delovnega območja odstranite vse odvečne predmete. Če rezalni priključek trči ob predmet, lahko to povzroči izmet predmeta in posledično poškodbe ali smrt.

Odvečni material se lahko navije okrog rezalnega priključka in povzroči poškodbe.

- Izdelka ne uporabljajte v slabih vremenskih razmerah (megla, dež, močan veter, nevarnost strele ipd.). Slabe vremenske razmere lahko ustvarijo nevarne pogoje (npr. spolzke površine).
- Zagotovite, da se lahko prosto premikate in delo opravljate v stabilnem položaju.

(Sl. 18)

- Zagotovite, da pri uporabi izdelka ne morete pasti. Izdelka med uporabo ne nagibajte.
- Izdelek vedno držite z obema rokama. Izdelek držite ob svojem desnem boku.

(Sl. 19)

- Rezalni priključek naj bo med uporabo izdelka pod višino pasu.
- Če je ročica čoka ob zagonu motorja v položaju za čok, se začne rezalni priključek vrteti.
- Ko se motor zaustavi, se ne dotikajte kotnega prenosa. Kotni prenos je po zaustavitvi motorja vroč. Če se vročih delov dotikate, lahko pride do poškodb.
- Preden izdelek premikate, izklopite motor.
- Ko je motor vklopljen, izdelka ne odlagajte.
- Preden z izdelka začnete odstranjevati odvečni material, izklopite motor in počakajte, da se rezalni priključek ustavi. Počakajte, da se rezalni priključek ustavi, preden vi ali oseba, ki vam pomaga, začnete odstranjevati razrezan material.

Osebna zaščitna oprema



OPOZORILO: Pred uporabo izdelka preberite navodila v povezavi z opozorili v nadaljevanju.

- Pri uporabi izdelka vedno uporabljajte ustrezno osebno zaščitno opremo. Uporaba osebne zaščitne opreme ne odpravi vseh morebitnih nevarnosti poškodb. Osebna zaščitna oprema zmanjša stopnjo resnosti poškodb v primeru nesreče.
- Pri uporabi izdelka vedno uporabljajte odobreno zaščitno oči.
- Izdelka ne uporabljajte bosi ali z odprto obutvijo. Vedno uporabljajte trpežno obutev, ki ne drsi.
- Oblečene imejte trpežne, dolge hlače.
- Po potrebi uporabljajte odobrene zaščitne rokavice.
- Če obstaja nevarnost poškodb zaradi padajočih predmetov, nosite čelado.
- Pri uporabi izdelka vedno uporabljajte odobreno zaščito za sluh. Dolgotrajen hrup lahko povzroči izgubo sluha.
- Zagotovite, da je v bližini komplet prve pomoči.

Varnostne naprave na izdelku



OPOZORILO: Pred uporabo izdelka preberite navodila v povezavi z opozorili v nadaljevanju.

- Ne uporabljajte izdelka s poškodovanimi varnostnimi napravami.
- Redno preverjajte varnostne naprave. Glejte poglavje *Pregled izdelka na strani 352*.
- Če so varnostne naprave poškodovane, se obrnite na servisnega zastopnika Husqvarna.

Zaklep ročice plina

Zaklep ročice plina zaklene ročico plina.

(Sl. 20)

Pritisnite zaklep ročice plina (A), da sprostite ročico plina (B). Ko sprostite ročaj, se zaklep ročice plina in ročica plina samodejno premakneta v začetna položaja.

1. Ko sprostite zaklep ročice plina (A), mora biti ročica plina (B) zaklenjena v položaj prostega teka.
2. Pritisnite zaklep ročice plina (A) in se prepričajte, da se vrne v začetni položaj, ko ga sprostite.
3. Pritisnite ročico plina (B) in se prepričajte, da se vrne v začetni položaj, ko jo sprostite.

Zaženite motor in uporabite polni plin. Spustite ročico plina in preverite, ali se je rezalni priključek ustavil. Če se rezalni priključek vrtil, ko je ročica plina v položaju prostega teka, preglejte vijak za prilagoditev prostega teka uplinjača.

Izklopno stikalo

Zaženite motor. Motor se mora izklopiti, ko izklopno stikalo premaknete v položaj za izklop.

(Sl. 21)

Ščitnik rezalnega priključka

Ščitnik rezalnega priključka preprečuje izmet nepritrjenih predmetov v smeri uporabnika.

(Sl. 22)

Preverite, ali je ščitnik rezalnega priključka poškodovan. Če je poškodovan, ga zamenjajte. Uporabljajte samo odobrene ščitnike za rezalne priključke.

Dušilnik

- Če je dušilnik poškodovan, motorja ne zaganjajte. Poškodovan dušilnik zviša nivo hrupa in poveča nevarnost požara. V bližini vedno imejte gasilni aparat.
- Redno pregledujte, ali ima izdelek nameščen dušilnik.
- Motorja ali dušilnika se ne dotikajte, ko je motor vklopljen. Motorja ali dušilnika se nekaj časa po zaustavitvi motorja ne dotikajte. Če se dotikate vročih površin, lahko pride do poškodb.
- Vroč dušilnik lahko povzroči požar. Bodite previdni, če izdelek uporabljate v bližini vnetljivih tekočin ali hlapov.
- Če je dušilnik poškodovan, se ne dotikajte njegovih notranjih delov. Ti deli lahko vsebujejo določene rakotvorne kemikalije.

Zaklepna matica

Z zaklepno matico zaklenete nekatere vrste rezalnih priključkov.

(Sl. 23)

Ko namestite zaklepno matico, jo privijte v nasprotni smeri delovanja rezalnega priključka.

Funkcija sprostitve oprtnika



OPOZORILO: Oprtnika ne uporabljajte, če je funkcija sprostitve poškodovana. Po nastavitvi izdelka mora funkcija sprostitve oprtnika pravilno delovati.

Mehanizem za funkcijo sprostitve oprtnika je nameščen na sprednjem delu izdelka. Pasovi oprtnika morajo biti vedno v pravilnem položaju.

(Sl. 24)

Funkcija sprostitve oprtnika omogoča, da v sili izdelek lahko varno sprostite iz oprtnika.

Rezalni priključek



OPOZORILO: Pred uporabo izdelka preberite navodila v povezavi z opozorili v nadaljevanju.

- Izvajajte redne vzdrževalne postopke. Pooblaščen servisni center naj rezalni priključek redno pregleduje in izvaja nastavitve ter popravila.
 - Delovanje rezalnega priključka se izboljša.
 - Življenjska doba rezalnega priključka se podaljša.
 - Nevarnost nesreč se zmanjša.
- Uporabljajte samo odobrena varovala rezalnega priključka. Za več informacij glejte *Dodatna oprema na strani 364*.
- Ne uporabljajte poškodovanega rezalnega priključka.

Noži in rezila za travo

- Izdelek uporabljajte z odobrenim nožem za travo. Noža za travo ne uporabljajte, če niso ustrezno nameščeni vsi zahtevani deli. Namestitev mora biti pravilno izvedena in uporabljeni morajo biti ustrezni deli. Pri neustreznih namestitvi nož lahko odleti in hudo poškoduje upravljalca ali opazovalca.
- Med rokovanjem ali izvajanjem vzdrževalnih del na nožu nosite zaščitne rokavice.
- Med uporabo izdelka z nožem za travo nosite zaščitno čelado.
- Noži in rezila za travo so namenjeni za košenje neurejene trave.
- Nož za travo lahko povzroči poškodbe, saj se še vedno vrti, tudi ko motor izklopite ali sprostite ročico plina. Pred izvajanjem morebitnih vzdrževalnih del se mora nož za travo popolnoma zaustaviti.

- Pred začetkom del na rezalnem priključku izklopite motor. Rezalni priključek se mora popolnoma zaustaviti. Odklopite kabel z vžigalne svečke.
- Uporabljajte le odobren rezalni priključek ali pravilno nabrušen nož.
- Zobe rezila pravilno nabrusite. (Sl. 25)
- Ne uporabljajte poškodovanega rezalnega priključka.
- Pri transportu ali shranjevanju izdelka na nož za travo namestite transportno zaščito.

Sunek rezila

- Sunek rezila je nenaden premik izdelka vstran, naprej ali nazaj. Do sunka rezila pride takrat, ko nož za travo ali list krožne žage trči ob predmet, ki ga ne more odrezati. Tveganje za sunek rezila se poveča na območjih s slabim pregledom nad rezanim materialom.
- Ko pride do sunka rezila, obstaja tveganje, da se izdelek ali uporabnik premakne iz svojega položaja. Premikajoči se nož lahko zadene opazovalca, zato obstaja nevarnost poškodb.
- Če je nož upognjen, razpokan, zlomljen ali poškodovan, ga zavrzite.
- Uporabljajte oster nož. Če nož ni oster, se tveganje za sunek rezila poveča.

Varnost pri delu z gorivom



OPOZORILO: Pred uporabo izdelka preberite navodila v povezavi z opozorili v nadaljevanju.

- Goriva ne mešajte v zaprtih prostorih ali v bližini vira toplote.
- Če so na izdelku ostanke goriva ali motornega olja, izdelka ne zaganjajte. Očistite ostanke goriva/olja in počakajte, da se izdelek posuši. Očistite ostanke goriva z izdelka.
- Če se z gorivom polijete po obleki, se nemudoma preoblecite.
- Pazite, da goriva ne polijete po telesu, saj lahko pride do poškodb. Če gorivo polijete po telesu, se očistite z milom in vodo.
- Če se je olje ali gorivo polilo po izdelku ali po vašem telesu, ne zaganjajte motorja.
- Če motor pušča, izdelka ne zaganjajte. Redno preverjajte, ali motor pušča.
- Z gorivom ravnejte previdno. Gorivo je vnetljivo, hlapno pa so eksplozivni, zato lahko pride do poškodb ali smrti.
- Ne vdihavajte hlapov goriva, saj lahko pride do poškodb. Zagotovite zadosten pretok zraka.
- V bližini goriva ali motorja ne kadite.
- Vročih predmetov ne postavljajte v bližino goriva ali motorja.
- Goriva ne dolivajte, ko je motor vklopljen.

- Pred dolivanjem goriva se prepričajte, da je motor ohlajen.
- Pred dolivanjem počasi odprite pokrovček posode za gorivo in previdno sprostite pritisk.
- Goriva ne dolivajte v zaprtih prostorih. Nežadosten pretok zraka lahko povzroči poškodbe ali smrt zaradi zadušitve ali zastrupitve z ogljikovim monoksidom.
- Skrbno privijte pokrovček posode za gorivo, da ne pride do požara.
- Preden izdelek vklopite, ga premaknite najmanj 3 m (10 čevljev) stran od mesta, kjer ste napolnili posodo za gorivo.
- V posodo za gorivo ne nalijte preveč goriva.
- Prepričajte se, da med premikanjem izdelka ali posode za gorivo ne more priti do iztekanja.
- Izdelka ali posode za gorivo ne postavljajte v bližino odprtega ognja, isker ali indikatorskih lučk. Prepričajte se, da izdelek med skladiščenjem ni izpostavljen odprtemu ognju.
- Pri premikanju ali skladiščenju goriva uporabljajte samo odobrene posode.
- Pred dolgotrajnim skladiščenjem izpraznite posodo za gorivo. Pri odlaganju goriva ravnajte v skladu z lokalno zakonodajo.

- Pred dolgotrajnim skladiščenjem izdelek očistite.
- Pred skladiščenjem odstranite kabel vžigalne svečke, da preprečite nenameren zagon motorja.

Varnostna navodila za vzdrževanje



OPOZORILO: Pred vzdrževanjem izdelka preberite naslednja opozorilna navodila.

- Izvajajte le vzdrževalna in servisna dela, ki so navedena v teh navodilih za uporabo. Vsa druga servisna dela in popravila prepustite strokovnemu servisnemu osebju.
- Redno opravljajte varnostne preglede, vzdrževanje in servis v skladu z napatki v teh navodilih. Redno vzdrževanje podaljša življenjsko dobo izdelka in zmanjša nevarnost nesreč. Za navodila glejte poglavje *Urnik vzdrževanja na strani 360*.
- Če po izvedenem vzdrževanju varnostni pregledi niso uspešno opravljeni, se obrnite na servisnega zastopnika. Zagotavljamo vam, da so za vaš izdelek na voljo strokovna popravila in servisne storitve.

Montaža

Uvod



OPOZORILO: Preden sestavite izdelek morate prebrati in razumeti poglavje o varnosti.



OPOZORILO: Preden sestavite izdelek odklopite kabel vžigalne svečke s svečke.

Montaža ročaja

1. Odstranite vijak za ročico plina. (Sl. 26)
2. Potisnite ročico plina na desno stran ročaja.
3. Poravnajte odprtino v ročici plina z odprtino v ročaju.
4. Vijak potisnite skozi odprtini. Zategnite vijak.
5. Med puščici na gredi namestite ročaj. Zategnite vijak. (Sl. 27)

Namestitev sponke oprtnika

1. Sponko oprtnika namestite na gred tako, da je zanka sponke oprtnika zgoraj. Sponko oprtnika dvignite nad puščice na gredi.
2. Žico za plin vstavite v utor sponke oprtnika.
3. Poravnajte navojne odprtine sponke oprtnika.
4. V odprtini vstavite 2 vijaka.
5. Zategnite vijake.

Montaža rezalnega priključka

Namestitev ščitnika rezalnega priključka

1. Ščitnik rezalnega priključka (A) namestite na gred. (Sl. 28)
2. Nosilec (B) vstavite v in režo v ščitniku rezalnega priključka.
3. Vijak (C) namestite skozi odprtino na nosilcu ščitnika rezalnega priključka.

Namestitev zbiralnika za travo

1. Ščitnik rezalnega priključka (A) mora biti nameščen na izdelek. Glejte *Namestitev ščitnika rezalnega priključka na strani 357*. (Sl. 29)
2. Vstavite blokirni zatič (B) v odprtino, da zaklenete gred.
3. Nož (E), podporno skledo (F) in oporno prirobnico (G) postavite na pogonsko gred (D).
4. Pogonski disk (C) se mora pravilno zaskočiti v središčno odprtino noža. (Sl. 30)
5. Postavite zaklepno matico (H) na pogonsko gred. Kombiniran ključ držite blizu ščitnika rezalnega priključka. Kombiniran ključ obračajte v nasprotni smeri vrtenja urinega kazalca in tako zategnite zaklepno matico. Zaklepno matico zategnite z zateznim momentom 35–50 Nm/26–36 ft/lb.
6. Odstranite blokirni zatič.

Namestitev kosilne glave

1. Ščitnik rezalnega priključka (A) mora biti nameščen na izdelek. Glejte *Namestitev ščitnika rezalnega priključka na strani 357*. (Sl. 31)
2. Pogonski disk (C) mora biti nameščen na pogonsko gred (D).
3. Vstavite blokirni zatič (B) v odprtino, da zaklenete gred.

4. Kosilno glavo (B) namestite na pogonsko gred.
5. Kosilno glavo obrnite v nasprotni smeri vrtenja urinih kazalcev in jo tako zategnite na pogonsko gred. (Sl. 32)
6. Odstranite blokirni zatič.

Delovanje

Uvod



OPOZORILO: Pred uporabo izdelka morate prebrati in razumeti poglavje o varnosti.

Gorivo

Ta izdelek ima dvotaktni motor.



POZOR: Če uporabite neustrezno vrsto goriva, lahko poškodujete motor. Uporabite mešanico bencina in olja za dvotaktne motorje.

Predhodno zmešano gorivo

- Za najboljše delovanje in daljšo življenjsko dobo motorja uporabljajte kakovostno predhodno zmešano gorivo z alkilatoma Husqvarna. V gorivu je manj škodljivih kemikalij v primerjavi z običajnim gorivom, kar zmanjšuje količino škodljivih izpušnih plinov. Po zgorevanju tega goriva je količina ostankov manjša, zaradi česar so deli motorja čistejši.

Mešanje goriva

Bencin



POZOR: Ne uporabljajte bencina, ki ima oktansko število nižje od 90 RON (87 AKI). Izdelek se lahko tako poškoduje.



POZOR: Ne uporabljajte bencina, ki ima koncentracijo etanola (E10) višjo od 10 %. Izdelek se lahko tako poškoduje.

- Vedno uporabljajte nov neosvinčeni bencin z oktanskim številom, nižjim od 90 RON (87 AKI), in s koncentracijo etanola, nižjo od 10 % (E10).
- Če izdelek pogosto uporabljate pri visokem številu vrtiljajev motorja, uporabljajte bencin z višjim oktanskim številom.

Olje za dvotaktne motorje

- Za čim boljše rezultate in zmogljivost uporabite olje za dvotaktne motorje Husqvarna.
- Če olje za dvotaktne motorje Husqvarna ni na voljo, lahko uporabite kakovostno olje za dvotaktne motorje z zračnim hlajenjem. Za izbiro ustreznega olja se obrnite na servisnega zastopnika.



POZOR: Ne uporabljajte olja za vodno hlajene izvenkrmne dvotaktne motorje. Ne uporabljajte olja za štiritalne motorje.

Mešanica bencina in olja za dvotaktne motorje

Bencin, liter	Olje za dvo- taktne mo- torje, liter
	2 % (50 : 1)
5	0,10
10	0,20
15	0,30
20	0,40



POZOR: Pri mešanju manjših količin goriva lahko manjša odstopanja močneje vplivajo na razmerje mešanice. Natančno izmerite količino olja in tako ustvarite pravilno mešanico.

(Sl. 33)

1. Dolijte polovico bencina v čisto posodo za gorivo.
2. Dodajte celotno količino olja.
3. Pretresite mešanico goriva.
4. V posodo dodajte še preostalo količino bencina.
5. Temeljito pretresite mešanico goriva.



POZOR: Naenkrat ne pripravite mešanice goriva za več kot en mesec.

Dolivanje goriva

- Vedno uporabljajte posodo za gorivo z ventilom proti prelivanju.
- Če so na posodi ostanki goriva, posodo očistite in počakajte, da se posuši.
- Zagotovite, da je območje okrog pokrovska rezervoarja čisto.
- Preden mešanico goriva nalijete v rezervoar za gorivo, posodo za gorivo pretresite.

Utekanje

- Prvih 10 ur delovanja ne uporabljajte polnega plina dlje časa brez obremenitve.

Zagon in zaustavitev

Pregled pred zagonom

1. Izdelku ne sme manjkati noben kos, ta ne sme biti poškodovan, nepritrjen ali obrabljen.
2. Maticе, vijaki in stojni vijaki morajo biti čvrsto priviti.
3. Noži in kosilna glava ne smejo biti poškodovani.
4. Zaklepna matica mora biti zategnjena. Glejte *Pregled zaklepne matice na strani 361*.
5. Zračni filter ne sme biti zamašen.
6. Varnostne naprave izdelka ne smejo biti pokvarjene.
7. Iz izdelka ne sme iztekati gorivo.

Nastavitev oprtnika



OPOZORILO: Izdelek mora vedno biti pravilno pritrjen na oprtnik. Ne uporabljajte pokvarjenega oprtnika.

1. Namestite oprtnik.
2. Izdelek povežite s kablom.
3. Oprtnik prilagodite najboljšemu položaju za delo.
4. Nastavite stranske trakove, da se teža izdelka enakomerno razdeli na vaših ramenih. (Sl. 34)
5. Prilagodite oprtnik tako, da bo rezalni priključek vzporeden s tlemi.
6. Rezalni priključek naj se rahlo dotika tal. Sponko oprtnika nato prilagodite, da pravilno uravnotežite izdelek.

Opomba: Če uporabljate nož za travo, mora biti približno 10 cm/4 in nad tlemi.

Zagon hladnega motorja

1. 10-krat pritisnite membrano črpalke za gorivo. (Sl. 35)
2. Povlecite ročico čoka navzgor. (Sl. 36)
3. Z levo roko pritisnite ohišje izdelka ob tla. (Sl. 37) Ne stopajte na izdelek. Počasi povlecite ročico zaganjalne vrvice, dokler ne začutite določenega

upora. Nato ročico zaganjalne vrvice močno povlecite.

Opomba: Med zaganjanjem motorja ne pritisčajte ročice plina.

4. Vlecite ročico zaganjalne vrvice, dokler se motor ne zažene oziroma skoraj zažene (največ trije potegi). Ko motor zažene ali se ta skoraj zažene, ročico čoka potisnite navzdol. Vlecite, dokler se motor ne zažene. Po zagonu počakajte 60 sekund in nato pritisnite ročico plina.



POZOR: Zaganjalne vrvice ne vlecite, dokler se ne ustavi. Ko je zaganjalna vrstica popolnoma iztegnjena, je ne izpustite. Zaganjalno vrstico počasi spustite. Če teh navodil ne upoštevate, se lahko motor poškoduje.

Zagon toplega motorja

1. 10-krat pritisnite membrano črpalke za gorivo.
2. Povlecite zaganjalno vrstico, dokler se motor ne zažene.

Zagon izdelka, ko je gorivo prevroč

Če se izdelek ne zažene, je lahko za to krivo prevroč gorivo.

Opomba: Vedno uporabite novo gorivo in v toplem vremenu skrajšajte čas delovanja.

1. Postavite izdelek na hladno in v senco.
2. Počakajte vsaj 20 minut, da se izdelek ohladi.
3. V obdobju 10–15 sekund večkrat pritisnite membrano črpalke za gorivo.
4. Upoštevajte postopek za zagon hladnega motorja. Glejte *Zagon hladnega motorja na strani 359*.

Zaustavitev

- Za zaustavitev motorja pritisnite izklopno stikalo. (Sl. 21)

Opomba: Izklopno stikalo se samodejno vrne v začetni položaj.

Uporaba obrezovalnika trave



POZOR: Po vsaki uporabi morate motor upočasniti na hitrost prostega teka. Če motor dlje časa deluje pri polnem plinu brez obremenitve, se lahko motor poškoduje.

Opomba: Ko namestite novo kosilno nitko, očistite pokrov kosilne glave, da preprečite tresljaje. Preglejte druge dele kosilne glave in jih po potrebi očistite.

Obrezovanje trave

1. Kosilno glavo držite tik nad tlemi pod kotom. Kosilne nitke ne potiskajte v travo. (Sl. 38)
2. Skrajšajte kosilno nitko za 10–12 cm/4–4,75 in.
3. Znižajte št. vrt. motorja, da ne poškodujete rastlin.
4. Ko obrezujete travo v bližini predmetov, uporabljajte 80 % plina. (Sl. 39)

Košenje trave

1. Pri košnji trave naj bo kosilna nitka vedno vzporedna s tlemi. (Sl. 40)
2. Kosilne glave ne potiskajte ob tla. Izdelek se lahko tako poškoduje
3. Pri košnji izdelek premikajte iz ene strani na drugo. Uporabite polni plin. (Sl. 41)

Obrezovanje trave z nožem za travo

1. Nožev in rezil za travo ne smete uporabljati za olesenela stebela.
2. Nož za travo se uporablja za vse vrste visoke ali goste trave.
3. Trava obrezujte s stranskimi zamahi, pri čemer je zamah z desne na levo zamah za obrezovanje, zamah z leve na desno pa zamah za vrnitev v prvotni položaj. Travo naj obrezuje leva stran noža (položaj ure med 8.00 in 12.00).
4. Če je nož pri obrezovanju trave nagnjen na levo, se bo trava zbirala v liniji, zato jo bo lažje zbrati na kup, na primer z grabljami.
5. Poskusite delati v ritmu. Stojte stabilno, pri tem imejte noge nekoliko narazen. Po zamahu za vrnitev v prvotni položaj se pomaknite naprej in se spet postavite v stabilen položaj.

6. Podporna skleda naj bo rahlo oprta na tla. Uporablja se za zaščito noža pred udarcem v tla.
7. Zmanjšajte tveganje za navijanje materiala okrog noža tako, da vedno delate s polnim plinom in se po zamahu za vrnitev v prvotni položaj izognete obrezanemu materialu.
8. Pred začetkom zbiranja pokošenega materiala na kup zaustavite motor, odprite oprtnik in postavite stroj na tla.

Kosilna glava

- Kosilno nitko tesno in enakomerno navijte okrog bobna, da zmanjšate tresljaje.
- Uporabljajte samo odobrene kosilne glave in kosilne nitke. Glejte *Dodatna oprema na strani 364*.
- Kosilna nitka naj bo ustrezne dolžine. Daljša kosilna nitka porabi več moči motorja kot krajša kosilna nitka.
- Prepričajte se, da rezilo na varovalu rezalnega priključka ni poškodovano.
- Kosilno nitko dva dni namakajte v vodi, preden jo namestite na izdelek. Tako podaljšate življenjsko dobo kosilne nitke.

Zamenjava kosilne nitke

- (Sl. 42)
- (Sl. 43)
- (Sl. 44)
- (Sl. 45)
- (Sl. 46)
- (Sl. 47)
- (Sl. 48)
- (Sl. 49)

Vzdrževanje

Uvod



OPOZORILO: Pred izvajanjem vzdrževalnih del morate prebrati in razumeti poglavje o varnosti.

Za servisiranje in popravila na izdelku posebno usposabljanje ni potrebno. Zagotavljamo, da vam bodo na voljo strokovna popravila in servisiranje. Če vaš prodajalec ni pooblaščen serviser, ga povprašajte, kje je naslednja najbližja pooblaščen servisna delavnica.

Urnik vzdrževanja

Tedenska vzdrževalna opravila

- Očistite zunanje površine.
- Prepričajte se, da se rezalni priključek v prostem teku ne vrti. Glejte *Prilaganje hitrosti prostega teka na strani 361*.

- Preverite količino masti in kotnem prenosu. Glejte *Polnjenje kotnega prenosa z maslo na strani 361*.
- Preglejte zaklepno matico. Glejte *Pregled zaklepne matice na strani 361*.

Mesečna vzdrževalna opravila

- Ročica zaganjalne vrvice in zaganjalna vrstica ne smeta biti poškodovana.

Letno vzdrževanje

- Preglejte svečko. Glejte *Pregled svečke na strani 361*.
- Očistite zunanje površine uplinjača in bližnjih območij.
- Očistite hladilni sistem.
- Preglejte lovilnik isker. Glejte *Vzdrževalna dela na lovilniku isker na strani 361*.
- Preglejte filter goriva.
- Cev za gorivo ne sme biti poškodovana.
- Kabli in priključki izdelka ne smejo biti poškodovani.

Prilaganje hitrosti prostega teka

- Pred prilaganjem hitrosti prostega teka zagotovite, da je zračni filter čist in da je nameščen pokrov zračnega filtra.
 - Hitrost prostega teka prilagodite s T-vijakom za prilagoditev prostega teka, ki nosi oznako "T".
 - Hitrost prostega teka je nastavljena pravilno, ko motor deluje enakomerno v vsakem položaju. Hitrost prostega teka mora biti nižja od hitrosti, pri kateri se rezalni priključek začne vrteti.
1. Vijak za prilaganje obračajte v smeri urinega kazalca, dokler se rezalni priključek ne začne vrteti. (Sl. 50)
 2. Vijak za prilaganje obračajte v nasprotni smeri vrtenja urinih kazalcev, dokler se rezalni priključek ne ustavi.

Vzdrževalna dela na lovilniku isker

Mrežico lovilnika isker očistite z žično krtačo. (Sl. 51)

Čiščenje hladilnega sistema

S krtačo očistite dele hladilnega sistema.

(Sl. 52)

Pregled svečke



POZOR: Uporabite priporočeno svečko. Nadomestna svečka naj bo iste vrste kot priložena svečka proizvajalca. Če uporabite neustrezno svečko, se lahko izdelek poškoduje.

1. Preglejte svečko v naslednjih primerih:
 - a) če je moč motorja nizka,
 - b) če se pojavijo težave pri zagonu motorja,
 - c) če motor pri hitrosti prostega teka ne deluje pravilno.
2. Če se pojavijo težave pri zagonu ali delovanju motorja, preverite, ali so se na svečki nabrale obloge. Tveganje za pojav oblog na elektrodah svečke lahko zmanjšate na naslednje načine:
 - a) preverite, ali je hitrost prostega teka pravilno nastavljena,
 - b) zagotovite, da je mešanica goriva ustrezna,
 - c) zagotovite, da je zračni filter čist.
3. Če je svečka umazana, jo očistite. Prepričajte se, da je razmak pri elektrodi pravilen. (Sl. 53)
4. Svečko po potrebi zamenjajte.

Vzdrževanje zračnega filtra

Čiščenje zračnega filtra

1. Odstranite pokrov zračnega filtra in zračni filter. (Sl. 54)
2. Zračni filter očistite s toplo milnico. Počakajte, da se zračni filter posuši, preden ga znova namestite.
3. Če je zračni filter preveč umazan, da bi ga lahko temeljito očistili, ga zamenjajte. Če je zračni filter poškodovan, ga zamenjajte.
4. Če ima izdelek penasti zračni filter, nanesite olje za zračni filter. Olje za zračni filter nanesite samo na penasti filter. Olja ne nanašajte na filter iz filca.

Nanos olja na zračni filter



POZOR: Na penaste zračne filtre vedno nanašajte posebno olje za zračni filter. Ne uporabljajte drugih vrst olja.



OPOZORILO: Pazite, da olja ne polijete po telesu.

1. Odstranite pokrov zračnega filtra in zračni filter. (Sl. 55)
2. Zračni filter vstavite v plastično vrečko.
3. V plastično vrečko vlijte olje za zračni filter. (Sl. 56)
4. Zagotovite, da se olje enakomerno razporedi po celotnem zračnem filtru.
5. Pritisnite na zračni filter v plastični vrečki, da odstranite odvečno količino olja za zračni filter. Zračni filter vzemite iz vrečke.
6. Namestite zračni filter.

Polnjenje kotnega prenosa z mastjo

Kotni prenos mora biti do treh četrtin napolnjen z mastjo za kotne prenose.

(Sl. 57)

Pregled zaklepne matice



POZOR: Po vsaki 10 uporabi zamenjajte zaklepno matico.

1. Zaklepno matico zategnite z obračanjem v nasprotni smeri vrtenja urinih kazalcev. Zaklepno matico odstranite z obračanjem v smeri vrtenja urinih kazalcev. (Sl. 58)
2. Prepričajte se, da najlonske plasti zaklepne matice ni mogoče zavrteti z rokami. Upor najlonske plasti pri vrtenju mora znašati najmanj 1,5 Nm/1,1 ft/lb.
3. Če je upor pod najnižjim dovoljenim, zaklepno matico zategnite z navorom 35–50 Nm/26–36 ft/lb.



POZOR: Če zaklepno matico zategnete prekomerno, lahko poškodujete navoj.

Brušenje noža in rezila za travo



OPOZORILO: Izklopite motor. Uporabljajte zaščitne rokavice.

- Da boste nož ali rezilo za travo pravilno nabrusili, upoštevajte navodila, ki so priložena rezalnemu priključku.

- Vse robove nabrusite enakomerno, da ohranite ravnovesje.
- Uporabite plosko pilo z enim rezom. (Sl. 59)



OPOZORILO: Rezilo, ki je poškodovano, vedno obvezno zavržite. Ukrivljenega ali zvitega rezila ne poskušajte poravnati in ponovno uporabiti.

Odpravljanje težav

Motorja ni mogoče zagnati

Kontrola	Možen vzrok	Postopek
Izklopno stikalo.	Prepričajte se, da je izklopno stikalo v položaju za izklop.	Izklopno stikalo premaknite v položaj za zagon.
Zaskočne kljukice zaganjalnika.	Zaskočne kljukice zaganjalnika se ne morejo prosto premikati.	Odstranite pokrov zaganjalnika in očistite območje zaskočnih kljukic zaganjalnika. Za pomoč prosite pooblaščen servisno delavnico.
Posoda za gorivo.	Neprava vrsta goriva.	Izpraznite posodo za gorivo in jo napolnite s pravilnim gorivom.
Svečka.	Svečka je umazana ali mokra.	Poskrbite, da je svečka suha in čista.
	Razmak med elektrodama vžigalne svečke ni pravilen.	Očistite svečko. Prepričajte se, da je razmak med elektrodama pravilen. Prepričajte se, da ima svečka zaščito proti motnjam. Ustrezen razmak med elektrodama si oglejte v tehničnih podatkih.
	Svečka ni čvrsto nameščena.	Zategnite svečko.

Motor se zažene, vendar se ponovno zaustavi

Kontrola	Možen vzrok	Postopek
Rezervoar za gorivo	Nepravilna vrsta goriva.	Izpraznite rezervoar za gorivo in ga napolnite s pravilnim gorivom.
Zračni filter	Zračni filter je zamašen.	Očistite zračni filter.

Transport skladiščenje in odstranitev

Prevoz in skladiščenje

- Izdelek naj se pred prevozom ali skladiščenjem ohladi.

- Pred dolgotrajnim skladiščenjem odstranite pokrov svečke.
- Med prevozom pritrdite izdelek. Prepričajte se, da se ne more prestaviti.

- Prepričajte se, da med prevozom in skladiščenjem ne obstaja nevarnost iztekanja goriva, hlapov goriva, iskric ali plamena.
- Med prevozom in skladiščenjem namestite transportno zaščito.
- Pred dolgotrajnim skladiščenjem očistite izdelek in na njem opravite servis.

Tehnični podatki

Tehnični podatki

	325R A05328CBHV
Motor	
Gibna prostornina valja v cm ³	27,6
Hitrost prostega teka, vrt/min	2800–3200
Priporočeno najvišje število vrtljajev, vrt/min	8000
Moč/najv. izhodna moč motorja, v skladu z ISO 8893, kW/KM pri vrt/min	0,9/1,2 pri 8000
Dušilnik z katalizatorjem	Da
Hitrost pogonske gredi, vrt./min.	7200
Vžigalni sistem	
Svečka	Husqvarna HQT-4
Razmik elektrod, mm	0,5
Sistem goriva	
Prostornina posode za gorivo v l/cm ³	0,343/343
Mere izdelka	
Teža, kg	5,5
Emisije hrupa⁷⁰	
Raven zvočne moči, izmerjena z nameščenim nožem za travo, dB (A)	108
Raven zvočne moči, izmerjena z nameščeno kosilno glavo, dB (A)	110
Zajamčena raven zvočne moči (L _{WA}) z nameščenim nožem za travo, dB(A)	112
Zajamčena raven zvočne moči (L _{WA}) z nameščeno kosilno glavo, dB(A)	114
Nivoji hrupa⁷¹	
Stopnja zvočnega tlaka pri ušesu uporabnika z nameščenim nožem na travo, dB(A)	96
Stopnja zvočnega tlaka pri ušesu uporabnika z nameščeno kosilno glavo, dB(A)	95

⁷⁰ Emisije hrupa v okolju, merjene kot moč zvoka (L_{WA}), v skladu z direktivo ES 2000/14/ES. Navedena raven zvočne moči izdelka je bila izmerjena z originalnim rezalnim priključkom, ki dosega najvišjo raven. Razlika med zajamčeno in izmerjeno ravno zvočne moči je v tem, da zajamčena raven zvočne moči, v skladu z direktivo 2000/14/ES, vključuje tudi razpršitev izmerjenih vrednosti in razlike med različnimi izdelki istega modela.

⁷¹ Podatki za ekvivalentno raven zvočnega tlaka za napravo imajo tipično statistično razpršitev (standardni odklon) v vrednosti 1 dB (A).

	325R
	A05328CBHV
Ravni vibracij⁷²	
Ekvivalentna raven vibracij (ahv, eq) z nameščenim nožem za travo, levi ročaj, m/s ²	5,1
Ekvivalentna raven vibracij (ahv, eq) z nameščenim nožem za travo, desni ročaj, m/s ²	5,7
Ekvivalentna raven vibracij (ahv, eq) z nameščeno kosilno glavo, levi ročaj, m/s ²	4,1
Ekvivalentna raven vibracij (ahv, eq) z nameščeno kosilno glavo, desni ročaj, m/s ²	4,9

Dodatna oprema

Pribor

Odobren pribor	Vrsta	Ščitnik rezalnega priključka
Os z navojem	M10L	
Kosilna glava	T35, 2,4 mm	588 11 79-01
Nož za travo	Za travo 255-4, Ø 250	588 11 79-01

⁷² Zabeleženi podatki za ekvivalentno raven vibracij imajo tipično statistično razpršitev (standardni odklon) 1 m/s².

Izjava ES o skladnosti

Vsebina izjave ES o skladnosti

Pri Husqvarna AB, SE 561 82 Huskvarna, ŠVEDSKA, na lastno odgovornost izjavljamo, da je predstavljeni izdelek:

Opis	Bencinski obrezovalnik trave/motorna kosa
Znamka	Husqvarna
Platforma/vrsta/model	Platforma A05328CBHV, natančneje model 325R.
Serijska številka	Serijske številke od letnika 2018 dalje.

v celoti skladen z naslednjimi direktivami in uredbami EU:

Direktiva/uredba	Opis
2006/42/ES	o strojih
2014/30/EU	o elektromagnetni združljivosti
2000/14/ES	o zunanjem hrupu
2011/65/EU	"o omejevanju uporabe nekaterih nevarnih snovi"

Usklajeni standardi in/ali tehnične specifikacije v veljavi: EN ISO 12100, EN ISO 11806-1, CISPR 12, ISO 14982, EN 50581:2012.

V skladu z direktivo 2000/14/ES, priloga V, so določene ravni zvoka navedene v poglavju s tehničnimi podatki v tem priročniku in v podpisani izjavi ES o skladnosti.

TÜV Rheinland N.A. je v imenu družbe Husqvarna AB opravil prostovoljen tipski pregled in sestavil dokument Certifikat o skladnosti z direktivo Sveta ES 2006/42/ES o strojih.

Ta certifikat, kot je naveden v podpisani izjavi ES o skladnosti, velja za vse proizvodne lokacije in države porekla, navedene na izdelku.

Dobavljeni bencinski obrezovalniki trave oziroma motorne kose so enaki primerku, na katerem je bil opravljen pregled.

Sadržaj

Uvod.....	366	Rešavanje problema.....	376
Bezbednost.....	367	Transport, skladištenje i odlaganje.....	377
Sklapanje.....	371	Tehnički podaci.....	377
Rukovanje.....	372	Oprema.....	378
Održavanje.....	375	EZ deklaracija o usaglašenosti.....	380

Uvod

Korisničko uputstvo

Ovo korisničko uputstvo je originalno napisano na engleskom jeziku. Korisnička uputstva na drugim jezicima su prevodi sa engleskog jezika.

Namena

Koristite proizvod sa listom za travu ili trimi glavom za rezanje različitih tipova vegetacije.

Pregled proizvoda

(Sl. 1)

1. Trimi glava
2. Poklopac za sipanje maziva
3. Menjač ugla
4. Štitnik priključka za košenje
5. Osovina
6. Prekidač za zaustavljanje
7. Prekidač gasa
8. Blokada prekidača gasa
9. Ručica
10. Stezaljka uprtača
11. Kućište startera
12. Kapica za svećice, svećica
13. Ručica užeta startera
14. Rezervoar za gorivo
15. Poklopac filtera za vazduh
16. Pumpa za vazduh
17. Kontrola čoka
18. Podešavanje ručice
19. Žica gasa
20. Dugme povećane brzine praznog hoda
21. Uprtač
22. Kombinovani ključ
23. Korisničko uputstvo
24. Zaštita za transportovanje
25. Sečivo
26. Oslona šolja
27. Oslona prirubnica
28. Stezna navrtka

Napomena: Državni propisi mogu da definišu ograničenja pri radu proizvoda.

29. Upravljački zahvatnik
30. Trn za osiguranje
31. Šestougaoni ključ

Simboli na proizvodu

- (Sl. 2) **UPOZORENJE!** Ovaj proizvod je opasan. Ako se proizvod ne koristi na ispravan način i pažljivo može doći do telesnih povreda ili smrti rukovaoca ili prisutnih osoba. Da bi se sprečile telesne povrede rukovaoca ili prisutnih osoba, pročitajte i pridržavajte se svih bezbednosnih uputstava u korisničkom uputstvu.
- (Sl. 3) Pre korišćenja pažljivo pročitajte korisničko uputstvo i budite sigurni da razumete njegov sadržaj.
- (Sl. 4) Koristite zaštitni šlem na lokacijama gde predmeti mogu pasti na vas. Koristite odobrenu zaštitu za uši. Koristite odobrenu zaštitu za oči.
- (Sl. 5) Koristite odobrene zaštitne rukavice.
- (Sl. 6) Nosite neklizauće i čvrste čizme.
- (Sl. 7) Strelice prikazuju ograničenja za položaj ručice.
- (Sl. 8) Proizvod može prouzrokovati izbacivanje predmeta, što može rezultirati telesnom povredom.
- (Sl. 9) Maksimalna brzina izlazne osovine.

- (Sl. 10) Održavajte minimalno rastojanje od 15 m / 50 stopa od osoba i životinja tokom rada proizvoda.
- (Sl. 11) Opasnost od udara noža ako oprema za rezanje dodirne predmet koji odmah ne odseče. Proizvod može odseći delove tela. Održavajte minimalno rastojanje od 15 m / 50 stopa od osoba i životinja tokom rada proizvoda.
- (Sl. 12) Pumpa za vazduh.
- (Sl. 13) Čok.
- (Sl. 14) Vodite računa da neki deo tela ne dođe u kontakt sa površinama visoke temperature.
- (Sl. 15) Emisije buke u životnoj sredini prema direktivi Evropske zajednice. Emisije proizvoda su naznačene u poglavlju Tehnički podaci i na nalepnici.
- (Sl. 16) Proizvod je usaglašen sa važećim EZ direktivama.
- (Sl. 17) Proizvod je usaglašen sa važećim EAC direktivama.

Pločica tipa prikazuje serijski broj. **yyyy** je godina proizvodnje, **ww** je sedmica proizvodnje **xxxxx** je serijski broj.

yyyywwxxxxx

Napomena: Drugi simboli/oznake na proizvodu odnose se na zahteve za sertifikaciju za ostale komercijalne oblasti.

Odgovornost za proizvod

Kako je izloženo u zakonima o odgovornosti za proizvode, mi nismo odgovorni za oštećenja prouzrokovana našim proizvodom ako:

- proizvod je popravljen na pogrešan način.
- proizvod je popravljen korišćenjem delova koji nisu napravljeni ili odobreni od strane proizvođača.
- proizvod ima opremu koja ne potiče ili nije odobrena od strane proizvođača.
- proizvod nije popravljen u ovlašćenom servisnom centru ili od strane ovlašćenog stručnjaka.

EU V



UPOZORENJE: Neovlašćene prepravke motora poništavaju EU tip odobrenja za ovaj proizvod.

Bezbednost

Bezbednosne definicije

Upozorenja, mere opreza i napomene se koriste da ukažu na naročito važne delove korisničkog uputstva.



UPOZORENJE: Koristi se ako, usled nepoštovanja uputstava, postoji rizik od nastanka telesnih povreda ili smrti kod rukovaoca ili prisutnih osoba.



OPREZ: Koristi se ako, usled nepoštovanja uputstava, postoji rizik od nastanka oštećenja na proizvodu, drugim materijalima ili susjednim oblastima.

Napomena: Koristi se za pružanje više informacija koje su neophodne u datoj situaciji.

Bezbednost vibracija

Ovaj se proizvod primenjuje samo za povremeni rad. Kontinuirani ili redovan rad sa proizvodom može da prouzrokuje Rejnoov fenomen ili ekvivalentne medicinske probleme koji proističu iz izloženosti vibracijama. Pregledajte stanje šaka i prstiju ako kontinuirano ili redovno rukujete proizvodom. Ako na vašim šakama ili prstima postoje promene boje, imate bolove, peckanje ili utrnulost u šakama ili prstima, prekinite rad i odmah se obratite lekaru.

Opšta bezbednosna uputstva



UPOZORENJE: Pročitajte upozoravajuća uputstva koja slede pre korišćenja proizvoda.

- Koristite proizvod na ispravan način. Telesna povreda ili smrt su mogući rezultat neispravnog

korišćenja. Koristite proizvod samo za zadatke navedene u ovom uputstvu. Nemojte koristiti proizvod za druge zadatke.

- Pratite instrukcije navedene u ovom uputstvu. Pratite bezbednosne simbole i bezbednosna uputstva. Ako rukovalac ne prati uputstva i simbole, oštećenje, telesna povreda ili smrt su mogući rezultati.
- Nemojte baciti ovo uputstvo. Koristite uputstva kako biste sklopili, rukovali i održavali proizvod u dobrom stanju. Koristite uputstva za ispravno montiranje dodatka i opreme. Koristite isključivo odobrene dodatke i opremu.
- Nemojte koristiti oštećeni proizvod. Pridržavajte se šeme održavanja. Vršite samo one radove održavanja za koje pronađete instrukcije u ovom uputstvu. Ovlašćeni servisni centar mora izvršiti sve druge radove održavanja.
- Ovo uputstvo ne može sadržavati sve situacije koje se mogu pojaviti prilikom korišćenja proizvoda. Budite pažljivi i koristite zdrav razum. Nemojte rukovati proizvodom ili vršiti održavanje ako niste sigurni u pogledu određene situacije. Obratite se stručnjaku za proizvod, prodavcu, servisnom zastupniku ili ovlašćenom servisnom centru kako biste dobili više informacija.
- Iskopčajte kabl svećice pre nego što sklopite proizvod, uskladištite ga ili izvršite održavanje.
- Nemojte koristiti proizvod ako je izmenjen od inicijalnih specifikacija. Nemojte menjati deo na proizvodu bez odobrenja od strane proizvođača. Koristite samo delove koji su odobreni od strane proizvođača. Telesna povreda ili smrt su mogući rezultati nepravilnog održavanja.
- Nemojte udisati isparenja iz motora. Dugotrajno udisanje izduvnih gasova motora je opasno za zdravlje.
- Nemojte pokretati proizvod u zatvorenom prostoru ili blizu zapaljivih materijala. Izduvni gasovi su vrući i mogu imati varnicu koja može potpaliti požar. Nedovoljan protok vazduha može izazvati telesnu povredu ili smrt usled gušenja ili prisustva ugljenmonoksida.
- Kada koristite ovaj proizvod, motor stvara elektromagnetno polje. Elektromagnetno polje može izazvati oštećenje medicinskih implantata. Posavetujte se sa svojim lekarom i proizvođačem medicinskog implantata pre nego što počnete da rukujete ovim proizvodom.
- Nemojte dozvoliti da dete rukuje proizvodom. Ne dozvolite neobučeni osobama da rukuju proizvodom.
- Pobrinite se da uvek nadzirete osobu sa smanjenim fizičkim ili mentalnim sposobnostima koja koristi proizvod. Odgovorna odrasla osoba mora biti prisutna sve vreme.
- Proizvod čuvajte na mestu gde deca i neovlašćene osobe nemaju pristup.
- Proizvod može da izbacuje predmete i tako izazove telesne povrede. Pridržavajte se bezbednosnih

uputstava kako biste smanjili rizik od telesne povrede ili smrti.

- Nemojte se udaljavati od proizvoda kada motor radi.
- Rukovalac proizvoda je odgovoran u slučaju ako dođe do nesreće.
- Uverite se da delovi nisu oštećeni pre nego što koristite proizvod.
- Uverite se da ste udaljeni najmanje 15 m (50 stopa) od drugih osoba ili životinja pre nego što koristite proizvod. Uverite se da osobe u okolnom području znaju da ćete koristiti proizvod.
- Pogledajte nacionalne ili lokalne zakone. Oni mogu sprečavati ili umanjiti načine za rad proizvoda u određenim slučajevima.
- Ne koristite proizvod ako ste iscrpljeni ili pod uticajem alkohola, droge ili lekova. Oni mogu uticati na vaš vid, budnost, koordinaciju ili prosuđivanje.

Bezbednosna uputstva za sklapanje



UPOZORENJE: Pročitajte upozoravajuća uputstva koja slede pre korišćenja proizvoda.

- Uklonite kapicu sa svećice pre sklapanja proizvoda.
- Koristite odobrene zaštitne rukavice.
- Pobrinite se da sklopite poklopac i osovinu na ispravan način pre pokretanja motora.
- Upravljački zahvatnik i oslonca priрубnica moraju da tačno nalegnu u centralni otvor priključka za košenje. Priključak za košenje koji je neispravno pričvršćen može izazvati teške telesne povrede ili smrt rukovaoca ili drugih osoba.
- Da bi se proizvodom rukovalo bezbedno i da bi se sprečile telesne povrede rukovaoca ili drugih osoba, proizvod uvek mora biti ispravno pričvršćen na uprtač.

Bezbednosna uputstva za rad



UPOZORENJE: Pročitajte upozoravajuća uputstva koja slede pre korišćenja proizvoda.

- Uverite se da je proizvod u potpunosti sklopljen pre nego što počnete da ga koristite.
- Pre pokretanja, pomerite proizvod 3 m / 10 stopa od položaja gde ste punili rezervoar za gorivo. Položite proizvod na ravnu površinu. Vodite računa da priključak za košenje ne dodiruje tlo ili druge predmete.
- Proizvod može prouzrokovati izbacivanje predmeta što može rezultirati povredom očiju. Uvek koristite odobrenu zaštitu za oči prilikom rada sa proizvodom.
- Budite oprezni, dete se može približiti proizvodu bez vašeg znanja tokom rada.
- Nemojte raditi sa proizvodom ako se osobe nalaze u radnom području. Zaustavite proizvod ako osoba uđe u radno područje.

- Pobrinite se da uvek imate kontrolu nad proizvodom.
- Nemojte koristiti proizvod ako ne postoji mogućnost da primite pomoć ako dođe do nesreće. Uvek se pobrinite da druge osobe znaju da ćete raditi sa proizvodom pre nego što počnete da koristite proizvod.
- Nemojte se okretati dok držite proizvod pre nego što se uverite da nema osoba ili životinja u bezbednom području.
- Uklonite sav neželjeni materijal iz radnog područja pre početka rada. Ako priključak za košenje udari o predmet, predmet može biti izbačen i na taj način izazvati telesnu povredu ili oštećenje. Neželjeni materijal se može namotati oko priključka za košenje i prouzrokovati štetu.
- Nemojte koristiti proizvod tokom lošeg vremena (magla, kiša, jaki vetrovi, rizik od udara groma ili drugi vremenski uslovi). Opasni uslovi (kao što su klizave površine) mogu se pojaviti usled lošeg vremena.
- Uverite se da se možete slobodno kretati i raditi u stabilnom položaju.

(Sl. 18)

- Uverite se da nema opasnosti od pada prilikom korišćenja proizvoda. Nemojte se naginjati kada radite sa proizvodom.
- Uvek držite proizvod sa obe ruke. Držite proizvod sa desne strane tela.

(Sl. 19)

- Radite sa proizvodom tako da vam je priključak za košenje ispod struka.
- Ako je kontrola čoka u položaju čoka prilikom pokretanja motora, priključak za košenje će početi da se okreće.
- Nemojte dodirivati menjač ugla nakon zaustavljanja motora. Menjač ugla je vruć nakon zaustavljanja motora. Vruće površine mogu da izazovu telesnu povredu.
- Zaustavite motor pre nego što pomerite proizvod.
- Nemojte spuštati proizvod kada motor radi.
- Pre uklanjanja neželjenih materijala sa proizvoda, zaustavite motor i sačekajte da se priključak za košenje zaustavi. Sačekajte da se priključak za košenje zaustavi pre nego što vi ili osoba koja vam pomaže u radu uklonite isečeni materijal.

Lična zaštitna oprema



UPOZORENJE: Pročitajte upozoravajuća uputstva koja slede pre korišćenja proizvoda.

- Uvek koristite odgovarajuću ličnu zaštitnu opremu kada radite sa proizvodom. Lična zaštitna oprema ne poništava rizik od telesne povrede. Lična zaštitna oprema umanjuje stepen telesne povrede u slučaju pojave nesreće.
- Uvek koristite odobrenu zaštitu za oči tokom rada sa proizvodom.

- Nemojte raditi sa proizvodom dok ste bosonogi ili u otvorenoj obući. Uvek nosite neklizauće i čvrste cizme.
- Uvek nosite duge pantalone od čvrstog materijala.
- Ako je neophodno, koristite odobrene zaštitne rukavice.
- Nosite zaštitnu kacigu ako postoji mogućnost da vam predmeti padnu na glavu.
- Uvek koristite odobrenu zaštitu za uši tokom rada sa proizvodom. Izloženost buci tokom dužeg vremenskog perioda može dovesti do gubitka sluha izazvanog bukom.
- Vodite računa da vam u blizini bude komplet za prvu pomoć.

Bezbednosni uređaji na proizvodu



UPOZORENJE: Pročitajte upozoravajuća uputstva koja slede pre korišćenja proizvoda.

- Nemojte koristiti proizvod na kojem su oštećeni bezbednosni uređaji.
- Redovno proveravajte bezbednosne uređaje. Pogledajte *Pregled proizvoda na stranici 366*.
- Ako su bezbednosni uređaji neispravni, obratite se Husqvarna prodavcu.

Blokada prekidača gasa

Blokada prekidača gasa blokira prekidač gasa. (Sl. 20)

Pritisnite blokadu prekidača gasa (A) da biste oslobodili prekidač gasa (B). Kada otpustite ručicu, blokada prekidača gasa i prekidač gasa se vraćaju u početne položaje.

1. Uverite se da je prekidač gasa (B) blokiran u praznom hodu kada otpustite blokadu prekidača gasa (A).
2. Pritisnite blokadu prekidača gasa (A) i uverite se da se vraća u početni položaj kada je otpustite.
3. Pritisnite prekidač gasa (B) i uverite se da se vraća u početni položaj kada ga otpustite.

Pokrenite motor, a zatim dajte puni gas. Otpustite prekidač gasa i proverite da li se priključak za košenje zaustavio. Ako se priključak za košenje okreće dok je gas u položaju praznog hoda, pregledajte zavrtanj za podešavanje praznog hoda karburatora.

Prekidač za zaustavljanje

Pokrenite motor. Uverite se da se motor zaustavio nakon što ste pomerili prekidač za zaustavljanje u položaj za zaustavljanje.

(Sl. 21)

Štitnik priključka za košenje

Štitnik priključka za košenje sprečava da nefiksirani predmeti budu izbačeni u smeru rukovaoca.

(Sl. 22)

Pregledajte štitnik priključka za košenje da biste videli ima li oštećenja i zamenite ga ako je oštećen. Koristite samo odobreni štitnik za priključak za košenje.

Prigušivač

- Nemojte koristiti motor sa oštećenim prigušivačem. Oštećeni prigušivač povečava nivo buke i rizik od požara. Neka vam pri ruci bude aparat za gašenje požara.
- Redovno proverjavajte da je prigušivač pričvršćen na proizvod.
- Nemojte dodirivati motor ili prigušivač dok motor radi. Nemojte dodirivati motor ili prigušivač neko vreme nakon zaustavljanja motora. Vruće površine mogu da izazovu telesnu povredu.
- Vruć prigušivač može da izazove požar. Budite naročito pažljivi ako koristite proizvod blizu zapaljivih tečnosti ili isparenja.
- Nemojte dodirivati delove prigušivača ako je prigušivač oštećen. Delovi mogu da sadrže izvesne kancerogene hemikalije.

Stezna navrtka

Stezna navrtka se koristi za stezanje određenih tipova priključaka za košenje.

(Sl. 23)

Kada postavite steznu navrtku, zategnite je u suprotnom smeru od smeru rada priključka za košenje.

Funkcija otpuštanja uprtača



UPOZORENJE: Nemojte koristiti uprtač ako je funkcija otpuštanja neispravna. Uverite se da funkcija otpuštanja uprtača ispravno funkcioniše prilikom podešavanja proizvoda.

Funkcija otpuštanja uprtača se nalazi na prednjoj strani proizvoda. Kaiševi uprtača moraju uvek stajati u ispravnom položaju.

(Sl. 24)

U hitnim slučajevima, funkcija otpuštanja uprtača vam pomaže da se bezbedno odvojite od proizvoda.

Priključak za košenje



UPOZORENJE: Pročitajte upozoravajuća uputstva koja slede pre korišćenja proizvoda.

- Vršite redovno održavanje. Neka ovlašćeni servisni centar redovno pregleda priključak za košenje kako bi izvršili podešavanja ili popravke.
 - Time se povečava učinak priključka za košenje.
 - Time se produžava radni vek priključka za košenje.
 - Time se smanjuje rizik od nesreća.

- Koristite samo odobreni štitnik priključka za košenje. Za više informacija, pogledajte *Optrema na stranici 378*.
- Nemojte da koristite oštećeni priključak za košenje.

Listovi za košenje trave i noževi za košenje trave

- Koristite proizvod sa odobrenim listom za košenje trave. Nemojte koristiti list za košenje trave bez ispravnog postavljanja svih potrebnih delova. Pobrinite se da se postavljanje izvrši na ispravan način i da se koriste odgovarajući delovi. Nepravilno postavljanje može prouzrokovati da list odleti i na taj način ozbiljno povredi rukovaoca ili prisutne osobe.
- Nosite zaštitne rukavice prilikom rukovanja ili vršenja održavanja na listu.
- Koristite zaštitu za glavu kada radite sa proizvodom sa listom za košenje trave.
- Listovi za košenje trave i noževi za košenje trave su namenjeni za sečenje grublje trave.
- List za košenje trave može prouzrokovati telesnu povredu dok nastavlja da se okreće nakon zaustavljanja motora ili otpuštanja prekidača gasa. Uverite se da se list za košenje trave potpuno zaustavio pre vršenja bilo kakvog održavanja.
- Zaustavite motor pre nego što budete radili nešto na priključku za košenje. Uverite se da se priključak za košenje potpuno zaustavio. Isključite kabl sa svećice.
- Koristite samo odobreni priključak za košenje ili pravilno naoštreni nož.
- Održavajte zube sečiva u dobrom stanju i propisno naoštrene.

(Sl. 25)

- Nemojte da koristite oštećeni priključak za košenje.
- Pričvrstite zaštitu za transportovanje na list za košenje trave prilikom transporta ili skladištenja proizvoda.

Udar noža

- Udar noža je naglo pokretanje proizvoda ustranu, unapred ili unazad. Udar noža nastaje kada list za košenje trave ili nož sekača udari o predmet koji se ne može poseći. Rizik od udara noža se povečava u oblastima u kojima nije lako videti materijal koji se reže.
- Kada se udar noža dogodi, postoji rizik da se proizvod ili rukovalac pomere iz položaja. Nož koji se pokreće može udariti prisutne osobe i postoji rizik od telesnih povreda.
- Ako je nož savijen, ima pukotine, slomljen je ili oštećen, morate ga odbaciti.
- Koristite oštar nož. Rizik od udara noža se povečava kada nož nije oštar.

Bezbednost oko goriva



UPOZORENJE: Pročitajte upozoravajuća uputstva koja slede pre korišćenja proizvoda.

- Nemojte mešati gorivo u zatvorenom prostoru ili blizu izvora toplote.
- Nemojte pokretati proizvod ako na njemu postoje tragovi goriva ili motornog ulja. Uklonite neželjeno gorivo/ulje i sačekajte da se proizvod osuši. Uklonite neželjeno gorivo sa proizvoda.
- Ako prospete gorivo na odeću, odmah je presvucite.
- Nemojte dozvoliti da gorivo dospe na vaše telo, ono može izazvati telesnu povredu. Ako gorivo dospe na vaše telo, uklonite ga pomoću sapuna i vode.
- Nemojte pokretati motor ako prospete ulje ili gorivo na proizvod ili vaše telo.
- Nemojte pokretati proizvod ako postoji curenje iz motora. Redovno proveravajte da li postoji curenje iz motora.
- Budite oprezni pri rukovanju gorivom. Gorivo je zapaljivo a isparenja su eksplozivna i mogu izazvati telesne povrede ili smrt.
- Nemojte udisati isparenja goriva, to može izazvati telesnu povredu. Pobrinite se da ima dovoljno protoka vazduha.
- Nemojte pušiti u blizini goriva ili motora.
- Nemojte stavljati vruće predmete blizu goriva ili motora.
- Nemojte dolivati gorivo kada motor radi.
- Uverite se da je motor hladan pre dopunjavanja goriva.
- Pre dopunjavanja goriva, lagano otvorite poklopac rezervoara za gorivo i pažljivo otpustite pritisak.
- Nemojte dolivati gorivo u motor u zatvorenom prostoru. Nedovoljan protok vazduha može izazvati telesnu povredu ili smrt usled gušenja ili prisustva ugljen-monoksida.
- Pažljivo zategnite poklopac rezervoara za gorivo ili može doći do požara.

- Pomerite proizvod najmanje 3 m (10 stopa) od položaja gde ste punili rezervoar pre pokretanja.
- Nemojte sipati previše goriva u rezervoar za gorivo.
- Pobrinite se da ne može doći do curenja kada pomerite proizvod ili kantu za gorivo.
- Nemojte stavljati proizvod ili kantu za gorivo na mesto gde postoji otvoreni plamen, varnice ili pilot gorionik. Uverite se da u skladišnom prostoru nema otvorenog plamena.
- Koristite samo odobrene kante za gorivo prilikom prenošenja ili skladištenja goriva.
- Ispraznite rezervoar za gorivo pre dugotrajnog skladištenja. Pridržavajte se lokalnog zakona u pogledu mesta odlaganja goriva.
- Očistite proizvod pre dugotrajnog skladištenja.
- Skinite kabl svećice pre skladištenja proizvoda kako biste osigurali da se motor ne može slučajno pokrenuti.

Bezbednosna uputstva za održavanje



UPOZORENJE: Pročitajte upozoravajuća uputstva koja slede pre održavanja proizvoda.

- Održavajte samo održavanje i servisiranje opisano u priručniku za rukovaoca. Ostale popravke i servisiranje treba da obavlja stručni serviser.
- Redovno vršite bezbednosne provere, održavanje i servisiranje opisano u ovom priručniku. Redovno održavanje produžava životni vek proizvoda i smanjuje opasnost od nezgoda. Uputstva potražite u *Šema održavanja na stranici 375*.
- Ako se ne prođu bezbednosne provere opisane u ovom priručniku kad izvršite održavanje, obratite se serviseru. Garantujemo da su za vaš proizvod dostupne profesionalne popravke i servisiranje.

Sklapanje

Uvod



UPOZORENJE: Pre sklapanja proizvoda, morate pročitati i razumeti poglavlje o bezbednosti.



UPOZORENJE: Uklonite kabl svećice sa svećice pre sklapanja proizvoda.

Sklapanje upravljača

1. Uklonite zavrtnaj iza držača regulatora gasa. (Sl. 26)

2. Pomerite držač regulatora gasa na desnu stranu ručice.
3. Poravnajte otvor iza držača regulatora gasa sa otvorom na ručici.
4. Pustite da zavrtnaj prođe kroz otvore. Pritegnite zavrtnaj.
5. Pričvrstite ručicu između strelica na osovinu. Pritegnite zavrtnaj. (Sl. 27)

Pričvršćivanje stezaljke uprtača

1. Postavite stezaljku uprtača na osovinu tako da petlja stezaljke bude okrenuta nagore. Postavite stezaljku uprtača iznad strelica na osovinu.

2. Stavite žicu gasa u žleb stezaljke uprtača na dnu.
3. Poravnajte otvore za zavrtne stezaljke uprtača.
4. Pričvrstite 2 zavrtnja u otvore za zavrtnje.
5. Pritegnite zavrtnje.

Sklapanje priključka za košenje

Sklapanje štitnika priključka za košenje

1. Postavite štitnik priključka za košenje (A) na osovinu. (Sl. 28)
2. Postavite nosač (B) u prerez na štitniku priključka za košenje.
3. Pričvrstite vijak (C) kroz otvor na nosaču za štitnik priključka za košenje.

Sklapanje lista za košenje trave

1. Uverite se da je štitnik priključka za košenje (A) pričvršćen za proizvod. Pogledajte *Sklapanje štitnika priključka za košenje na stranici 372*. (Sl. 29)
2. Stavite trn za osiguranje (B) u otvor tako da se osovina osigura.
3. Stavite list (E), oslonu šolju (F) i oslonu prirubnicu (G) na izlaznu osovinu (D).

4. Uverite se da se upravljački zahvatnik (C) pravilno pripokča u centralni otvor lista. (Sl. 30)
5. Postavite steznu navrtku (H) na izlaznu osovinu. Držite osovinu kombinovanog ključa blizu štitnika priključka za košenje. Okrenite kombinovani ključ u smeru suprotnom od kretanja kazaljke da biste pritegli steznu navrtku. Pritegnite steznu navrtku na 35–50 Nm / 26–36 ft/lb.
6. Uklonite trn za osiguranje.

Pričvrščivanje trimi glave

1. Uverite se da je štitnik priključka za košenje (A) pričvršćen za proizvod. Pogledajte *Sklapanje štitnika priključka za košenje na stranici 372*. (Sl. 31)
2. Uverite se da je upravljački zahvatnik (C) pričvršćen na izlaznu osovinu (D).
3. Stavite trn za osiguranje (B) u otvor tako da se osovina osigura.
4. Postavite trimi glavu (E) na izlaznu osovinu.
5. Okrenite trimi glavu u smeru suprotnom od kretanja kazaljke da biste je pritegli za izlaznu osovinu. (Sl. 32)
6. Uklonite trn za osiguranje.

Rukovanje

Uvod



UPOZORENJE: Pre rada sa proizvodom, morate pročitati i razumeti poglavlje o bezbednosti.

AKI). To može prouzrokovati oštećenje proizvoda.

Gorivo

Ovaj proizvod ima dvotaktni motor.



OPREZ: Neodgovarajući tip goriva može da ošteti motor. Koristite mešavinu benzina i ulja za dvotaktni motor.



OPREZ: Nemojte koristiti benzin sa više od 10% koncentracije etanola (E10). To može prouzrokovati oštećenje proizvoda.

- Uvek koristite sveži bezolovni benzin sa minimalnim oktanskim brojem od 90 RON (87 AKI) i sa manje od 10% koncentracije etanola (E10).
- Koristite benzin sa višim oktanskim brojem ako često koristite proizvod pri kontinuirano visokoj brzini motora.

Unapred smešano gorivo

- Koristite Husqvarna unapred smešano alkalatno gorivo dobrog kvaliteta za najbolje radne karakteristike i produžetak radnog veka motora. To gorivo sadrži manje štetnih hemikalija od običnog goriva i tako smanjuje štetne izduvne gasove. Količina ostataka posle sagorevanja je niža u ovom gorivu, pa komponente motora ostaju čistije.

Ulje za dvotaktne motore

- Najbolje rezultate daje Husqvarna ulje za dvotaktne motore.
- Ako Husqvarna ulje za dvotaktne motore nije dostupno, koristite drugo ulje za dvotaktne motore dobrog kvaliteta za motore sa vazдушnim hlađenjem. Obratite se dileru za izbor odgovarajućeg ulja.

Mešanje goriva

Benzin



OPREZ: Nemojte koristiti benzin sa oktanskim brojem manjim od 90 RON (87



OPREZ: Nemojte koristiti ulje za dvotaktne motore za vanbrodske motore sa vodenim hlađenjem, koje se takođe naziva ulje za vanbrodske motore. Nemojte koristiti ulje za četvorotaktne motore.

Pravljenje mešavine benzina i ulja za dvotaktne motore

Benzin, litara	Ulje za dvo- taktne mo- tore, litara
	2% (50:1)
5	0,10
10	0,20
15	0,30
20	0,40



OPREZ: Male greške mogu znatno da utiču na odnos u mešavini kad mešate male količine goriva. Pažljivo izmerite količinu ulja koja će se koristiti za mešavinu da biste dobili tačan odnos u mešavini.

(Sl. 33)

1. Dospite pola količine goriva u čist sud za gorivo.
2. Dodajte punu količinu ulja.
3. Promešajte mešavinu goriva.
4. Dodajte preostalu količinu goriva u sud za gorivo.
5. Pažljivo promešajte mešavinu goriva.



OPREZ: Ne pravite mešavinu za duže od 1 mesec unapred.

Dolivanje goriva

- Uvek koristite kantu za gorivo sa ventilom protiv prospanja.
- Ako se na kanti nalaze ostaci goriva, uklonite neželjeno gorivo i sačekajte da se kanta osuši.
- Uverite se da je područje oko poklopca rezervoara za gorivo čisto.
- Promućkajte kantu za gorivo pre dolivanja mešavine goriva u rezervoar za gorivo.

Razrađivanje

- Tokom prvih 10 sati rada, ne dodajte pun gas na prazno tokom dužih perioda.

Pokretanje i zaustavljanje

Pregled pre pokretanja

1. Uverite se da proizvodu ne fale delovi i da nema delova koji su oštećeni, labavi ili pohabani.
2. Uverite se da su navrtke, zavrtnji i vijci pritegnuti.
3. Uverite se da listovi ili trimi glave nisu oštećeni.
4. Uverite se da je stezna navrtka pritegnuta.
Pogledajte *Pregled stezne navrtke na stranici 376*.

5. Uverite se da filter za vazduh nije zapušten.
6. Uverite se da bezbednosni uređaji na proizvodu nisu neispravni.
7. Uverite se da na proizvodu nema curenja goriva.

Podešavanje uprtača



UPOZORENJE: Proizvod mora uvek biti sigurno pričvršćen na uprtač. Nemojte koristiti oštećeni uprtač.

1. Stavite uprtače.
2. Povežite proizvod na uprtač.
3. Podesite uprtač za najbolji radni položaj.
4. Podesite bočne trake da biste težinu proizvoda ravnomerno raspodelili na ramenima. (Sl. 34)
5. Podesite uprtač tako da priključak za košenje bude paralelan sa tlom.
6. Pustite da priključak za košenje lako dodirne tlo. Podesite stezaljku uprtača da biste ispravno balansirali proizvod.

Napomena: Ako koristite list za travu, morate ga balansirati približno 10 cm / 4 inča iznad tla.

Pokretanje hladnog motora

1. Pritisnite pumpu za vazduh 10 puta. (Sl. 35)
2. Povucite regulator čoka nagore. (Sl. 36)
3. Držite proizvod na tlu levom rukom. (Sl. 37) Nemojte stajati na proizvod. Lagano povucite ručicu užeta startera dok ne osetite otpor. Zatim snažno povucite ručicu užeta startera.

Napomena: Nemojte pritiskati prekidač gasa prilikom pokretanja motora.

4. Nastavite da povlačite ručicu užeta startera dok se motor ne pokrene ili pokušajte da se pokrene (maks. 3 puta). Ako se motor pokrene ili pokušate da se pokrene, gurnite kontrolu čoka nadole. Nastavite da povlačite dok se motor ne pokrene. Sačekajte 60 sekundi nakon pokretanja pre nego što pritisnete prekidač gasa.



OPREZ: Nemojte povlačiti užu startera dok se ne zaustavi. Nemojte puštati užu startera kada je potpuno izvučeno. Lagano otpustite užu startera. Ako se ne budete pridržavali ovih uputstava to može imati za posledicu oštećenje motora.

Pokretanje toplog motora

1. Pritisnite pumpu za vazduh 10 puta.
2. Povlačite užu startera sve dok se motor ne pokrene.

Pokretanje motora sa pretoplim gorivom

Ako se proizvod ne pokrene, možda je gorivo pregrijano.

Napomena: Uvek koristite novo gorivo i radite kraće po toplom vremenu.

1. Stavite proizvod na hladno mesto dalje od direktnog sunčevog svetla.
2. Sačekajte bar 20 minuta da se proizvod ohladi.
3. Pritiskajte pumpicu za vazduh ponovo i ponovo 10–15 sekundi.
4. Pratite postupak pokretanja hladnog motora. Pogledajte *Pokretanje hladnog motora na stranici 373*.

Zaustavljanje

- Pritisnite prekidač za zaustavljanje da biste zaustavili motor. (Sl. 21)

Napomena: Prekidač za zaustavljanje se automatski vraća u početni položaj.

Rad sa trimerom za travu



OPREZ: Pobrinite se da se motor uspori u brzinu praznog hoda nakon svakog rada. Dug period rada pri punom gasu bez opterećenja na motoru može izazvati oštećenje motora.

Napomena: Očistite poklopac trimi glave kada pričvrstite novu trimi nit kako biste sprečili vibracije. Pregledajte ostale delove trimi glave i očistite ih ako je potrebno.

Skraćivanje trave

1. Držite glavu trimera odmah iznad tla i pod uglom. Nemojte pritiskati trimi nit u travu. (Sl. 38)
2. Smanjite dužinu trimi niti za 10–12 cm / 4–4,75 inča.
3. Smanjite brzinu motora da biste smanjili rizik od oštećenja biljaka.
4. Koristite 80% gasa kada kosite travu blizu predmeta. (Sl. 39)

Košenje trave

1. Uverite se da je trimi nit paralelna sa tлом prilikom košenja trave. (Sl. 40)
2. Nemojte pritiskati trimi glavu o tlo. To može prouzrokovati oštećenje proizvoda
3. Pomerajte proizvod levo-desno prilikom košenja trave. Primenite pun gas. (Sl. 41)

Čišćenje trave pomoću lista za košenje trave

1. List za košenje trave i nož za košenje trave ne smeju da se koriste za drvenaste stabljike.
2. Za sve tipove visoke ili snažne trave upotrebljava se list za košenje trave.
3. Trava se kosi ljuljajućim pokretom sa bočne strane, kretanje sa desne na levu stranu je čišćenje, a kretanje sa leve na desnu stranu je povratno kretanje. Pustite neka list seče sa leve strane (kao u položaju kazaljki između 8 i 12 časova).
4. kada se list nagne malo nalevo pri čišćenju trave, trava se sakuplja u otkose, koji se kasnije sakupljaju, na primer, grabuljama.
5. Pokušajte da radite u ritmu. Stojte stabilno sa raskoračenim nogama. Pomerite se iz tog položaja posle povratnog kretanja i postavite se ponovo u stabilan položaj.
6. Ostavite oslonu šolju da leži na tlu. Ona će zaštititi list od dodira sa tлом.
7. Umanjite rizik od obmotavanja materijala oko lista tako što ćete uvek raditi pri punom gasu i izbegavajte prethodno isečeni materijal prilikom povratnog kretanja.
8. Zaustavite motor i skinite mašinu sa uprtača pre nego što počnete sa skupljanjem materijala od čišćenja.

Trimi glava za travu

- Pobrinite se da čvrsto i ravnomerno namotate trimi nit za travu oko bubnja kako biste smanjili vibracije.
- Koristite samo odobrene trimi glave i trimi niti za travu. Pogledajte *Oprema na stranici 378*.
- Koristite ispravnu dužinu trimi niti za travu. Dugačka trimi nit koristi više snage motora u odnosu na kratku trimi nit.
- Proverite da li je nož koji se nalazi na štitniku priključka za košenje neoštećen.
- Potopite trimi nit u vodu tokom 2 dana pre nego što trimi nit pričvrstite na proizvod. Time se produžava radni vek trimi niti.

Zamena trimi niti

(Sl. 42)
(Sl. 43)
(Sl. 44)
(Sl. 45)
(Sl. 46)
(Sl. 47)
(Sl. 48)
(Sl. 49)

Održavanje

Uvod



UPOZORENJE: Pre održavanja, morate pročitati i razumeti poglavlje o bezbednosti.

Za sva servisiranja i popravke proizvoda, potrebna je specijalna obuka. Garantujemo dostupnost stručnih popravki i servisiranja. Ako vaš prodavac nije servisni agent, obratite mu se za informacije o najbližem servisnom agentu.

Šema održavanja

Nedeljno održavanje

- Očistite spoljne površine.
- Uverite se da se priključak za košenje ne pomera pri brzini praznog hoda. Pogledajte *Podešavanje brzine praznog hoda na stranici 375*.
- Proverite nivo maziva u menjaču ugla. Pogledajte *Nanošenje maziva u menjač ugla na stranici 376*.
- Proverite steznu navrtku. Pogledajte *Pregled stezne navrtke na stranici 376*.

Mesečno održavanje

- Uverite se da ručica užeta startera i uže startera nisu oštećeni.

Godišnje održavanje

- Pregledajte svećicu. Pogledajte *Pregled svećice na stranici 375*.
- Očistite spoljne površine karburatora i okolnog područja.
- Očistite sistem za hlađenje.
- Pregledajte hvatač varnica. Pogledajte *Održavanje hvatača varnica na stranici 375*.
- Pregledajte filter za gorivo.
- Uverite se da crevo za gorivo nije oštećeno.
- Uverite se da kablovi i veze na proizvodu nisu oštećeni.

Podešavanje brzine praznog hoda

- Uverite se da je filter za vazduh čist i da je poklopac filtera za vazduh pričvršćen pre podešavanja brzine praznog hoda.
 - Podesite brzinu praznog hoda pomoću zavrtnja za podešavanje T koji je označen oznakom „T”.
 - Brzina praznog hoda je ispravna kada motor ravnomerno radi u svim položajima. Brzina praznog hoda treba da bude znatno manja od brzine pri pokretanju priključka za košenje.
1. Okrenite zavrtnj za podešavanje u smeru kazaljke na satu sve dok priključak za košenje ne počne da se okreće. (Sl. 50)

2. Okrenite zavrtnj za podešavanje praznog hoda suprotno kretanju kazaljke na satu sve dok se priključak za košenje ne zaustavi.

Održavanje hvatača varnica

Očistite hvatač varnica pomoću žičane četke. (Sl. 51)

Čišćenje sistema za hlađenje

Očistite delove sistema za hlađenje pomoću četke. (Sl. 52)

Pregled svećice



OPREZ: Koristite preporučenu svećicu. Pobrinite se da je zamenjena svećica istog tipa kao ona isporučena od proizvođača. Neodgovarajuća svećica može izazvati oštećenje proizvoda.

1. Pregledajte svećicu kada:
 - a) motor ima malu snagu.
 - b) motor se teško pokreće.
 - c) motor ne radi ispravno u brzini praznog hoda.
2. Ako se motor teško pokreće ili radi sa poteškoćama, pregledajte da li na svećici postoje neželjeni materijali. Da biste smanjili rizik od gomilanja neželjenog materijala na elektrodama svećice:
 - a) uverite se da je brzina praznog hoda pravilno podešena.
 - b) uverite se da je mešavina goriva ispravna.
 - c) uverite se da je filter za vazduh čist.
3. Očistite svećicu ako je zaprljana. Proverite da li je ispravan zazor elektrode. (Sl. 53)
4. Zamenite svećicu po potrebi.

Održavanje filtera za vazduh

Čišćenje filtera za vazduh

1. Skinite poklopac filtera za vazduh i uklonite filter za vazduh. (Sl. 54)
2. Očistite filter za vazduh toplom sapunjavom vodom. Uverite se da je filter za vazduh suv pre nego što ga ponovo postavite.
3. Zamenite filter za vazduh ako je previše zaprljan i ne može se propisno očistiti. Uvek zamenite oštećeni filter za vazduh.
4. Ako proizvod ima penasti filter za vazduh, nanesite ulje za filter za vazduh. Nanesite ulje za filter za vazduh samo na penasti filter. Nemojte nanositi ulje na filcani filter.

Nanošenje ulja na filter za vazduh



OPREZ: Uvek koristite specijalno ulje za filter za vazduh za penastim filterima za vazduh. Nemojte koristiti druge tipove ulja.



UPOZORENJE: Vodite računa da vam ulje ne dospe na telo.

1. Skinite poklopac filtera za vazduh i uklonite filter za vazduh. (Sl. 55)
2. Stavite filter za vazduh u plastičnu kesicu.
3. Stavite ulje za filter za vazduh u plastičnu kesicu. (Sl. 56)
4. Pritisnite plastičnu kesicu kako biste osigurali da se ulje ravnomerno raspodeli preko filtera za vazduh.
5. Pritisnite filter za vazduh, dok je u kesici, kako biste uklonili nepotrebno ulje za filter za vazduh. Izvadite filter za vazduh iz kesice.
6. Postavite filter za vazduh.

Nanošenje maziva u menjač ugla

Uverite se da je menjač ugla napunjen mazivom u količini od 3/4.

(Sl. 57)

Pregled stezne navrtke



OPREZ: Zamenite steznu navrtku nakon 10. upotrebe.

1. Okrenite steznu navrtku u smeru suprotnom od kretanja kazaljke da biste je pritegli. Okrenite steznu navrtku u smeru kretanja kazaljke da biste je uklonili. (Sl. 58)
2. Uverite se da ne možete ručno okrenuti najlonsku oblogu stezne navrtke. Najlonska obloga mora obezbediti minimalni otpor od 1,5 Nm / 1,1 ft/lb.
3. Pritegnite steznu navrtku na 35–50 Nm / 26–36 ft/lb, ako je otpor ispod minimalnog.



OPREZ: Ako previše pritegnete steznu navrtku, može doći do oštećenja navoja.

Oštrenje noža za travu i lista za travu



UPOZORENJE: Zaustavite motor. Koristite zaštitne rukavice.

- Da biste ispravno naoštrili nož za travu ili list za travu, pogledajte uputstva koja dolaze zajedno sa priključkom za košenje.
- Naoštrite sve ivice podjednako kako bi se održao balans.
- Koristite pljosnату турпiju sa jednostrukim rezom. (Sl. 59)



UPOZORENJE: Uvek odbacite sečivo koje je oštećeno. Nemojte pokušavati da ispravite savijeno ili uvijeno sečivo i da ga ponovo koristite.

Rešavanje problema

Motor ne može da se pokrene

Provera	Mogući uzrok	Postupak
Prekidač za zaustavljanje.	Prekidač za zaustavljanje je u položaju za zaustavljanje.	Postavite prekidač za zaustavljanje u položaj za pokretanje.
Startne kopče.	Startne kopče ne mogu da se slobodno kreću.	Uklonite poklopac startera i očistite oblast oko startnih kopči. Neka vam ovlašćeni servisni agent pomogne.
Rezervoar za gorivo.	Neispravi tip goriva.	Ispraznite rezervoar za gorivo i dopunite ispravnim gorivom.

Provera	Mogući uzrok	Postupak
Svećica.	Svećica je zaprljana ili vlažna.	Postarajte se da svećica bude suva i čista.
	Zazor između elektroda svećice nije odgovarajući.	Očistite svećicu. Uverite se da je zazor između elektroda odgovarajući. Postarajte se da svećica ima prigušivač.
	Svećica je labava.	Zategnite svećicu.

Motor se pokreće, ali se opet zaustavlja

Provera	Mogući uzrok	Postupak
Rezervoar za gorivo	Neispravn tip goriva.	Ispraznite rezervoar za gorivo i dopunite ispravnim gorivom.
Filter za vazduh	Filter za vazduh je začepljen.	Očistite filter za vazduh.

Transport, skladištenje i odlaganje

Transport i skladištenje

- Sačekajte da se proizvod ohladi pre transporta ili skladištenja.
- Uklonite kapicu svećice pre dugotrajnog skladištenja.
- Pričvrstite proizvod tokom transporta. Uverite se da proizvod ne može da se pomera.
- Uverite se da nema opasnosti od curenja goriva, isparenja goriva, varnica ili plamena tokom transporta i skladištenja.
- Pričvrstite zaštitu za transportovanje tokom transporta i skladištenja.
- Očistite i servisirajte proizvod pre dugotrajnog skladištenja.

Tehnički podaci

Tehnički podaci

	325R A05328CBHV
Motor	
Zapremina cilindra, cm ³	27,6
Brzina praznog hoda, o/min	2800 – 3200
Preporučena maksimalna brzina, o/min	8000
Snaga / Maks. izlazna snaga motora, prema ISO 8893, kW/hp na o/min	0,9/1,2 na 8000 o/min
Prigušivač sa katalizatorom	Da
Brzina izlazne osovine, o/min	7200
Sistem paljenja	

	325R
	A05328CBHV
Svećica	Husqvarna HQT-4
Zazor elektroda, mm	0,5
Sistem za gorivo	
Kapacitet rezervoara za gorivo, l/cm ³	0,343/343
Dimenzije proizvoda	
Težina, kg	5,5
Emisija buke⁷³	
Nivo zvučne snage, izmeren, opremljeno listom za košenje trave, dB (A)	108
Nivo zvučne snage, izmeren, opremljeno trimi glavom, dB (A)	110
Nivo zvučne snage, garantovan (L _{WA}), opremljeno listom za košenje trave, dB (A)	112
Nivo zvučne snage, garantovan (L _{WA}), opremljeno trimi glavom, dB (A)	114
Nivoi zvuka⁷⁴	
Nivo zvučnog pritiska kod uha rukovaoca, opremljeno listom za košenje trave, dB(A)	96
Nivo zvučnog pritiska kod uha rukovaoca, opremljeno trimi glavom, dB(A)	95
Nivoi vibracije⁷⁵	
Ekvivalentni nivo vibracije (ahv, eq), opremljeno listom za košenje trave, leva ručica, m/s ²	5,1
Ekvivalentni nivo vibracije (ahv, eq), opremljeno listom za košenje trave, desna ručica, m/s ²	5,7
Ekvivalentni nivo vibracije (ahv, eq), opremljeno trimi glavom, leva ručica, m/s ²	4,1
Ekvivalentni nivo vibracije (ahv, eq), opremljeno trimi glavom, desna ručica, m/s ²	4,9

Oprema

Oprema

Odobrena oprema	Tip	Štitnik priključka za košenje
Osovina sa navojem	M10L	

⁷³ Emisije buke u životnoj sredini merene kao zvučna snaga (L_{WA}) u skladu sa direktivom 2000/14/ EZ. Izveštajni nivo zvučne snage za proizvod meren je sa originalnim priključkom za košenje koji daje najviši nivo. Razlika između garantovanog i izmerenog nivoa zvučne snage je da garantovana zvučna snaga takođe obuhvata raspršenje rezultata merenja i razlike između različitih proizvoda istog modela u skladu sa Direktivom 2000/14/EZ.

⁷⁴ Prijavljeni podaci za ekvivalentni nivo zvučnog pritiska za proizvod uključuju tipično statističko raspršenje (standardno odstupanje) od 1 dB (A).

⁷⁵ Podaci iz izveštaja za ekvivalentni nivo vibracija imaju tipičnu statističku disperziju (standardno odstupanje) od 1 m/s².

Odobrena oprema	Tip	Štitnik priključka za košenje
Trimi glava	T35, 2,4 mm	588 11 79-01
Nož za travu	Trava 255-4, Ø 250	588 11 79-01

EZ deklaracija o usaglašenosti

Sadržaj EZ deklaracije o usaglašenosti

Mi, kompanija Husqvarna AB, SE 561 82 Huskvarna, ŠVEDSKA, izjavljujemo pod sopstvenom odgovornošću da je predstavljeni proizvod:

Opis	Benzinski trimer za travu/rezač žbunja
Marka	Husqvarna
Platforma/tip/model	Platforma A05328CBHV, reprezentativni model 325R.
Seriya	Serijski broj od 2018. i nadalje.

u potpunosti usaglašen sa sledećim EU direktivama i propisima:

Direktiva/propis	Opis
2006/42/EZ	„koji se odnose na mašine“
2014/30/EU	„koji se odnose na elektromagnetsku kompatibilnost“
2000/14/EZ	„koji se odnose na buku u otvorenom prostoru“
2011/65/EU	„koji se odnose na ograničenje upotrebe određenih opasnih supstanci“

Primenjeni harmonizovani standardi i/ili tehničke specifikacije su sledeće: EN ISO 12100, EN ISO 11806-1, CISPR 12, ISO 14982, EN 50581:2012.

U skladu sa Direktivom 2000/14/EZ, Aneks V, deklarirane vrednosti jačine zvuka su izložene u odeljku o tehničkim podacima u ovom uputstvu i u potpisanoj EZ Deklaraciji o usaglašenosti.

TÜV Rheinland N.A. je izvršio volonterski pregled u ime kompanije Husqvarna AB, te je pružio sertifikat o usaglašenosti sa Direktivom Saveta Evrope 2006/42/EZ za mašineriju.

Serifikat, kako je obezbeđen na potpisanoj EZ Deklaraciji o usaglašenosti, primenjuje se na sve proizvodne lokacije i zemlje porekla, kako je navedeno na proizvodu.

Isporučeni benzinski trimer za travu/rezač žbunja usaglašen je sa primerkom koji je prošao pregled.

Innehåll

Introduktion.....	381	Felsökning.....	391
Säkerhet.....	382	Transport, förvaring och kassering.....	391
Montering.....	386	Tekniska data.....	392
Drift.....	387	Tillbehör.....	393
Underhåll.....	389	EG-försäkran om överensstämmelse.....	394

Introduktion

Bruksanvisning

Det ursprungliga språket i denna bruksanvisning är engelska. Bruksanvisningar på andra språk är översättningar från engelska.

Avsedd användning

Använd produkten med en gräsklinga eller ett trimmerhuvud för att klippa olika typer av vegetation.

Produktöversikt

(Fig. 1)

1. Trimmerhuvud
2. Påfyllning av smörjmedel
3. Vinkelväxel
4. Trimmerhuvudets skydd
5. Riggör
6. Stoppkontakt
7. Gasreglage
8. Dödmansgrepp
9. Handtag
10. Selfäste
11. Startapparatus
12. Tändhatt, tändstift
13. Startsnörets handtag
14. Bränsletank
15. Luftfilterlock
16. Bränslepumpblåsa
17. Chokereglage
18. Handtagsinställning
19. Gaskabel
20. Rusvarvknapp
21. Kabelsamlare
22. Kombinyckel
23. Bruksanvisning
24. Transportskydd
25. Kniv
26. Stödkopp
27. Stödfläns
28. Låsmutter

Notera: Nationella regler kan begränsa användningen av produkten.

29. Medbringare
30. Låspinne
31. Insexnyckel

Symboler på produkten

- (Fig. 2) **WARNING!** Denna produkt är farlig. Skador eller dödsfall kan inträffa för användaren eller människor runt omkring om produkten inte används försiktigt och korrekt. För att förhindra att användaren eller människor runt omkring skadas ska du läsa och följa alla säkerhetsinstruktioner i bruksanvisningen.
- (Fig. 3) Läs igenom bruksanvisningen noggrant och se till att du förstår instruktionerna innan användning.
- (Fig. 4) Använd skyddshjälm på platser där föremål kan falla ner. Använd godkända hörselskydd. Använd godkänt ögonskydd.
- (Fig. 5) Använd godkända skyddshandskar.
- (Fig. 6) Använd kraftiga halksäkra kängor.
- (Fig. 7) Pilarna visar gränserna för handtagets position.
- (Fig. 8) Produkten kan göra att föremål slungas ut, vilket kan orsaka skador.
- (Fig. 9) Maximalt varvtal för utgående axel.

- (Fig. 10) Håll ett avstånd på minst 15 m till personer och djur när du använder produkten.
- (Fig. 11) Risk för kast om skärutrustningen kommer i kontakt med ett föremål som det inte omedelbart skär av. Produkten kan skära av kroppsdelar. Håll ett avstånd på minst 15 m till personer och djur när du använder produkten.
- (Fig. 12) Bränslepumpblåsa.
- (Fig. 13) Choke.
- (Fig. 14) Håll alla delar av din kropp borta från de heta ytorna.
- (Fig. 15) Emission av buller till omgivningen enligt Europeiska Gemenskapens direktiv. Produktens emission anges i avsnittet Tekniska data och på etiketten.
- (Fig. 16) Produkten överensstämmer med gällande EG-direktiv.
- (Fig. 17) Produkten överensstämmer med gällande EAC-direktiv.

Typskylten visar serie-numret. **åååå** är produktionsåret, **vv** är produktionsveckan och **xxxxx** är serienumret.

ååååvvxxxxx

Notera: Övriga symboler/dekaleringar på produkten avser specifika krav för certifieringar på andra kommersiella marknader.

Produktansvar

Enligt lagstiftningen för produktansvar ansvarar vi inte för skador som vår produkt orsakar om:

- produkten repareras felaktigt.
- produkten repareras med delar som inte kommer från tillverkaren eller inte har godkänts av tillverkaren.
- produkten har ett tillbehör som inte kommer från tillverkaren eller inte har godkänts av tillverkaren.
- produkten inte repareras vid ett godkänt servicecenter eller av en godkänd person.

EU V



WARNING: Manipulering av motorn upphäver EG-typgodkännandet för den här produkten.

Säkerhet

Säkerhetsdefinitioner

Varningar, försiktighetsåtgärder och anmärkningar används för att betona speciellt viktiga delar i bruksanvisningen.



WARNING: Används om det finns risk för skador eller dödsfall för föraren eller kringstående om anvisningarna i bruksanvisningen inte följs.



OBSERVERA: Används om det finns risk för skada på produkten, annat material eller det angränsande området om anvisningarna i bruksanvisningen inte följs.

Notera: Används för att ge mer information som är nödvändig i en viss situation.

Vibrationssäkerhet

Denna produkt ska endast användas sporadiskt. Kontinuerlig eller återkommande drift av produkten kan orsaka "vita fingrar" eller motsvarande medicinska problem av vibrationer. Undersök dina händer och fingrar om du använder produkten kontinuerligt eller regelbundet. Om fingrar och händer har missfärgning har smärta, rysning längs ryggraden varje gång någon nämner häckklippning, eller är numb, avbryta arbetet och tala med en läkare omedelbart.

Allmänna säkerhetsanvisningar



WARNING: Läs varningsinstruktionerna nedan innan du använder produkten.

- Använd produkten på rätt sätt. Skador eller dödsfall är ett möjligt resultat av felaktig användning. Använd endast produkten för arbetsuppgifterna som finns i

denna bruksanvisning. Använd inte produkten till andra uppgifter.

- Följ instruktionerna i denna bruksanvisning. Följ säkerhetsymbolerna och säkerhetsinstruktionerna. Om användaren inte följer instruktionerna och symbolerna är skador eller dödsfall ett möjligt resultat.
- Spara den här bruksanvisningen. Använd instruktionerna för att sätta ihop, använda och förvara din produkt i gott skick. Använd instruktionerna för korrekt installation av tillbehör och extrautrustning. Använd endast godkända tillbehör och extrautrustning.
- Använd inte en skadad produkt. Följ underhållsschemat. Utför endast det underhållsarbete som du hittar instruktioner om i den här bruksanvisningen. Godkända servicecenter måste göra allt annat underhållsarbete.
- Den här bruksanvisningen kan inte inkludera alla situationer som kan uppstå när du använder produkten. Var försiktig och använd sunt förnuft. Använd inte produkten eller utför underhåll på produkten om du inte är trygg med situationen. Tala med en produktexpert, din återförsäljare, din serviceverkstad eller ett godkänt servicecenter för att få information.
- Koppla ur tändstiftskabeln innan du monterar produkten, ställer undan produkten för förvaring eller utför underhåll.
- Använd inte produkten om den ändras från dess första specifikation. Byt inte ut en del av produkten utan tillverkarens godkännande. Använd endast delar som är godkända av tillverkaren. Skador eller dödsfall är ett möjligt resultat av felaktigt underhåll.
- Undvik att andas in rök från motorn. Långvarig inandning av motorns avgaser utgör en hälsorisk.
- Starta inte produkten inomhus eller nära brandfarligt material. Avgaserna är heta och kan medföra gnistor som kan orsaka brand. Otillräckligt luftflöde kan orsaka skador eller dödsfall på grund av kvävning eller kolmonoxidförgiftning.
- När du använder denna produkt skapar motorn ett elektromagnetiskt fält. Det elektromagnetiska fältet kan orsaka skador på medicinska implantat. Tala med din läkare och tillverkaren av eventuella medicinska implantat innan du använder produkten.
- Låt inte barn använda produkten. Låt inte personer utan kännedom om instruktionerna använda produkten.
- Se till att du alltid övervakar en person med nedsatt fysisk eller mental kapacitet som använder produkten. En vuxen person måste vara närvarande hela tiden.
- Läs in produkten på en plats där barn och obehöriga personer inte har åtkomst.
- Produkten kan skjuta ut föremål och orsaka skador. Följ säkerhetsinstruktionerna för att minska risken för personskador eller dödsfall.
- Lämnna inte produkten när motorn är på.

- Användaren av produkten är ansvarig om en olycka inträffar.
- Kontrollera att delarna inte är skadade innan du använder produkten.
- Se till att du står minst 15 m från andra personer eller djur innan du använder produkten. Se till att personer i närheten vet att du kommer att använda produkten.
- Följ nationella eller lokala lagar. De kan förhindra eller minska produktens funktion under vissa förhållanden.
- Använd inte produkten om du är trött eller om du är påverkad av alkohol, droger eller läkemedel. Din syn, ditt omdöme eller kroppskontroll kan ha påverkats.

Säkerhetsinstruktioner för montering



WARNING: Läs varningsinstruktionerna nedan innan du använder produkten.

- Avlägsna tändhatten från tändstiftet innan du monterar produkten.
- Använd godkända skyddshandskar.
- Se till att du har monterat kåpan och riggröret korrekt innan du startar motorn.
- Medbringarghjulet och stödfälansen måste passas in korrekt i skärutrustningens centrumhål. Skärutrustning som ansluts på fel sätt kan orsaka allvarliga personskador eller dödsfall för användaren eller andra.
- För att använda produkten på ett säkert sätt och undvika att skada användaren eller andra personer måste produkten alltid vara korrekt fäst i selen.

Säkerhetsinstruktioner för drift



WARNING: Läs varningsinstruktionerna nedan innan du använder produkten.

- Kontrollera att produkten är helt monterad innan du använder den.
- Innan du startar bör du flytta produkten 3 m från den plats där du fyllde på bränsletanken. Placera produkten på en plan yta. Se till att skärutrustningen inte vidrör marken eller andra föremål.
- Produkten kan orsaka att föremål skjuts ut, vilket kan orsaka skador på ögonen. Använd alltid godkänt ögonskydd när du använder produkten.
- Var försiktig, ett barn kan närma sig produkten utan din vetskap under användningen.
- Använd inte produkten om det finns personer i arbetsområdet. Stoppa produkten om en person går in i arbetsområdet.
- Se till att du alltid har kontroll över produkten.

- Använd inte produkten om du inte kan få hjälp om en olycka inträffar. Se alltid till att andra vet att du kommer att använda produkten innan du börjar använda produkten.
- Vänd dig inte om med produkten innan du kontrollerat att inga människor eller djur finns i säkerhetsområdet.
- Ta bort allt önskat material från arbetsområdet innan du börjar. Om skärutrustningen träffar ett objekt kan objektet skjutas ut och orsaka personskada eller skador. Önskat material kan lindas runt skärutrustningen och orsaka skador.
- Använd inte produkten i dåligt väder (dimma, regn, hård vind, risk för blixtnedslag eller andra väderförhållanden). Farliga situationer (t.ex. hala ytor) kan uppstå på grund av dåligt väder.
- Se till att du kan röra dig fritt och arbeta i en stabil position.

(Fig. 18)

- Se till att du inte kan falla när du använder produkten. Luta dig inte när du använder produkten.
- Håll alltid produkten med båda händerna. Håll produkten på höger sida av kroppen.

(Fig. 19)

- Använda produkten med skärutrustningen under midjehöjd.
- Om chokereglaget är i chokeläge när motorn startar börjar skärutrustningen rotera.
- Rör inte vid vinkelväxeln när motorn stannat. Vinkelväxeln är varm efter det att motorn stannat. Heta ytor kan orsaka skador.
- Stanna motorn innan du flyttar produkten.
- Lägg inte ned produkten om motorn är på.
- Innan du tar bort önskat material från produkten måste du stänga av motorn och vänta tills skärutrustningen stannar. Låt skärutrustningen stanna innan du avlägsnar skärmaterialet.

Personlig skyddsutrustning



WARNING: Läs varningsinstruktionerna nedan innan du använder produkten.

- Använd alltid rätt personlig skyddsutrustning när du använder produkten. Den personliga skyddsutrustningen eliminerar inte risken för skador. Den personliga skyddsutrustningen minskar skadans allvarlighetsgrad om en olycka inträffar.
- Använd alltid godkänt ögonskydd när du använder produkten.
- Använd inte produkten barfota eller med öppna skor. Använd alltid kraftiga halksäkra kängor.
- Använd tjockare långbyxor.
- Om det är nödvändigt bör du använda godkända skyddshandskar.
- Använd hjälm om det finns en risk att föremål faller ned på huvudet.

- Använd alltid godkänt hörselskydd när du använder produkten. Oljud under en längre period kan leda till bullersakad hörselnedsättning.
- Se till att du har första hjälpen i närheten.

Säkerhetsanordningar på produkten



WARNING: Läs varningsinstruktionerna nedan innan du använder produkten.

- Använd inte en produkt med defekta säkerhetsanordningar.
- Kontrollera säkerhetsanordningarna regelbundet. Se *Produktöversikt på sida 381*.
- Om säkerhetsanordningarna är defekta ska du prata med en Husqvarna-serviceverkstad.

Dödmansgrepp

Gasreglagets låsning låser gasreglaget. (Fig. 20)

Tryck på gasreglagets låsning (A) för att lossa gasreglaget (B). När du släpper handtaget går gasreglagets låsning och gasreglaget tillbaka till sina ursprungslägen.

1. Se till att gasreglaget (B) är låst på tomgång när du släpper gasreglagets låsning (A).
2. Tryck på gasreglagets låsning (A) och kontrollera att den går tillbaka till sitt ursprungliga läge när du släpper den.
3. Tryck på gasreglaget (B) och kontrollera att det går tillbaka till sitt ursprungliga läge när du släpper det.

Starta motorn och ge sedan fullgas. Släpp gasreglaget och titta om skärutrustningen stannar. Om skärutrustningen roterar med gasreglaget i tomgångsläge undersöker du tomgångsjusterskraven på förgasaren.

Stoppkontakt

Starta motorn. Kontrollera att motorn stängs av när stoppreglaget flyttas till stoppläget.

(Fig. 21)

Trimmerhuvudets skydd

Skärutrustningens skydd förhindrar att lösa föremål skjuts ut mot användaren.

(Fig. 22)

Undersök om skärutrustningens skydd är skadat och byt ut det om så är fallet. Använd endast godkänt skydd för skärutrustningen.

Ljuddämpare

- Använd inte en motor med defekt ljuddämpare. En defekt ljuddämpare ökar ljudnivån och brandrisken. Ha en brandsläckare i närheten.

- Kontrollera regelbundet att ljuddämparen sitter fast på produkten.
- Rör inte motorn eller ljuddämparen när motorn är på. Rör inte motorn eller ljuddämparen förrän en stund efter att motorn stannat. Heta ytor kan orsaka skador.
- En varm ljuddämpare kan orsaka brand. Var försiktig om du använder produkten nära brandfarliga vätskor eller ångor.
- Rör inte ljuddämparens delar om ljuddämparen är skadad. Delarna kan innehålla vissa cancerframkallande kemikalier.

Låsmutter

Låsmuttern används för att låsa vissa typer av skärutrustning.

(Fig. 23)

När du installerar låsmuttern drar du åt den i motsatt riktning mot skärutrustningens drifriktning.

Funktion för att lossa selen



WARNING: Använd inte selen om lossningsfunktionen är defekt. Kontrollera att funktionen för att lossa selen fungerar som den ska när du justerar produkten.

Funktionen för att lossa selen sitter framtill på produkten. Selen remmar måste alltid vara i rätt läge. (Fig. 24)

I en nödsituation hjälper funktionen för att lossa selen dig att på ett säkert sätt ta dig loss från produkten.

Skärutrustning



WARNING: Läs varningsinstruktionerna nedan innan du använder produkten.

- Utför regelbundet underhåll. Låt ett godkänt servicecenter regelbundet undersöka skärutrustningen för att göra justeringar eller reparationer.
 - Skärutrustningens prestanda ökar.
 - Skärutrustningens livslängd ökar.
 - Risken för olyckor minskar.
- Använd endast ett godkänt skydd till skärutrustningen. Mer information finns i *Tillbehör på sida 393*.
- Använd inte en skadad skärutrustning.

Gräsklinga och gräskniv

- Använd produkten med en godkänd gräsklinga. Använd inte en gräsklinga utan rätt installation av alla nödvändiga delar. Se till att installationen görs korrekt och att rätt delar används. Felaktig installation kan leda till att klingan flyger av och

orsakar allvarliga skador på användaren eller människor i närheten.

- Använd skyddshandskar när du hanterar eller utför underhåll på klingan.
- Använd huvudskydd när du använder en produkt med en gräsklinga.
- Gräsklingor och gräsknivar används för att skära grovt gräs.
- Gräsklingan kan orsaka skada om den fortsätter att rotera efter det att motorn har stannat eller gasreglaget släpps. Se till att gräsklingan har slutat rotera helt innan något underhåll utförs.
- Stanna motorn innan du arbetar med skärutrustningen. Se till att skärutrustningen stannar helt. Ta bort kabeln från tändstiftet.
- Använd endast en godkänd skärutrustning eller en korrekt slipad klinga.
- Håll klingans skärtänder väl och korrekt skärpta. (Fig. 25)
- Använd inte en skadad skärutrustning.
- Fäst transportskyddet på gräsklingan när du transporterar eller förvarar produkten.

Kast

- Ett kast är en plötslig rörelse av produkten åt sidan, framåt eller bakåt. Ett kast inträffar när gräsklingan eller sägklingan träffar ett föremål som inte kan klippas. I områden där det inte är lätt att se det material som klipps ökar risken för kast.
- När ett kast inträffar finns det en risk att produkten eller användaren rör sig ur läge. En klinga som rör sig kan träffa människor i närheten och det finns risk för personskador.
- Om en klinga är böjd, har sprickor, är trasig eller skadad ska den kasseras.
- Använd en vass klinga. Risken för kast ökar när en klinga inte är vass.

Bränslesäkerhet



WARNING: Läs varningsinstruktionerna nedan innan du använder produkten.

- Blanda inte bränsle inomhus eller nära en värmekälla.
- Starta inte produkten om det finns bränsle eller motorolja på produkten. Ta bort det oönskade bränslet/oljan och låt produkten torka. Ta bort oönskat bränsle från produkten.
- Om du spillt bränsle på kläderna skall dessa bytas omedelbart.
- Se till att inte få bränsle på kroppen, det kan orsaka personskador. Om du får bränsle på kroppen använder du tvål och vatten för att ta bort bränslet.
- Starta inte motorn om du spiller olja eller bränsle på produkten eller på kroppen.

- Starta inte produkten om motorn har en läcka. Undersök regelbundet om motorn läcker.
- Var försiktig med bränsle. Bränsle är brandfarligt och ängorna är explosiva och kan orsaka skador eller dödsfall.
- Undvik att andas in bränsleångor då det kan orsaka personskador. Se till att det finns tillräckligt luftflöde.
- Rök inte i närheten av bränslet eller motorn.
- Placera inga varma föremål i närheten av bränslet eller motorn.
- Fyll inte på bränsle när motorn är på.
- Se till att motorn har svalnat innan du fyller på bränsle.
- Innan du fyller på bränsle bör du öppna bränsletanklocket långsamt och försiktigt släppa på trycket.
- Fyll inte på bränsle i motorn inomhus. Otillräckligt luftflöde kan orsaka skador eller dödsfall på grund av kvävning eller kolmonoxidförgiftning.
- Dra åt tanklocket försiktigt, annars kan brand uppstå.
- Flytta produkten minst 3 m från den plats där du fyllde på tanken innan du startar den.
- Fyll inte på med för mycket bränsle i bränsletanken.
- Kontrollera att läckage inte kan uppstå när du flyttar produkten eller bränslebehållaren.
- Placera inte produkten eller bränslebehållaren där det finns öppen eld, gnistor eller tändlågor. Se till att det inte finns någon öppen eld i förvaringsutrymmet.

- Använd endast godkända behållare när du flyttar bränslet eller ställer undan bränslet för förvaring.
- Töm bränsletanken före långtidsförvaring. Följ lokala lagar om var du kan kasta bränsle.
- Rengör produkten före långtidsförvaring.
- Ta bort tändstiftskabeln innan du ställer undan produkten för förvaring så att motorn inte oavsiktligt startar.

Säkerhetsinstruktioner för underhåll



VARNING: Läs varningsinstruktionerna nedan innan du utför underhåll på produkten.

- Utför endast underhålls- och servicearbeten som beskrivs i denna bruksanvisning. Låt professionell servicepersonal utföra allt annat underhåll och alla reparationer.
- Utför säkerhetskontroller och underhålls- och serviceinstruktioner i denna bruksanvisning regelbundet. Regelbundet underhåll ökar produktens livslängd och minskar risken för olyckor. Se *Underhållsschema på sida 389* för instruktioner.
- Om säkerhetskontrollerna i denna bruksanvisning inte godkänns efter att du har utfört underhåll ska du tala med en serviceverkstad. Vi garanterar att det finns professionella reparationer och service tillgängliga för din produkt.

Montering

Introduktion



VARNING: Innan du monterar produkten måste du läsa igenom och förstå kapitlet om säkerhet.



VARNING: Avlägsna tändstiftskabeln från tändstiftet innan du monterar produkten.

Montera styret

1. Lossa skruven bakom gashandtaget. (Fig. 26)
2. Flytta gashandtaget till höger om handtaget.
3. Passa in hålet bakom gashandtaget med hålet på handtaget.
4. Låt skruven gå genom hålen. Dra åt skruven.
5. Montera styret mellan pilarna på riggröret. Dra åt skruven. (Fig. 27)

Montera selfästet

1. Lägg selfästet på riggröret med selfästets slinga uppåt. Placera selfästet över pilarna på riggröret.
2. Lägg gasvajern i skåran längst ner på selfästet.

3. Rikta in selfästets skruvhål.
4. Fäst två skruvar i skruvhålen.
5. Dra åt skruvarna.

Så monterar du skärutrustningen

Montera skärutrustningsskyddet

1. Lägg skärutrustningsskyddet (A) på riggröret. (Fig. 28)
2. Sätt hållaren (B) i spåret på skärutrustningsskyddet.
3. Sätt i bulten (C) genom hålet i hållaren på skärutrustningsskyddet.

Montera gräsklingan

1. Kontrollera att skärutrustningsskyddet (A) är monterat på produkten. Se *Montera skärutrustningsskyddet på sida 386*. (Fig. 29)
2. För in låspinnen (b) i hålet så att riggröret låses.
3. Placera klingan (E), stödkoppen (F) och stödflynsen (G) på den utgående axeln (D).
4. Kontrollera att medbringarghulet (C) hamnar rätt i klingans centrumhål. (Fig. 30)
5. Placera låsmuttern (H) på den utgående axeln. Håll kombinyckelns skaft nära skärutrustningsskyddet.

Vrid kombinyckeln moturs för att dra åt låsmuttern. Dra åt låsmuttern till 35–50 Nm/26–36 ft/lb.

6. Ta bort låspinnen.

Montera trimmerhuvudet

1. Kontrollera att skärutrustningsskyddet (A) är monterat på produkten. Se *Montera skärutrustningsskyddet på sida 386*. (Fig. 31)

2. Se till att medbringarghjulet (C) är anslutet till den utgående axeln (D).
3. För in låspinnen (b) i hålet så att riggröret låses.
4. Placera trimmerhuvudet (E) på den utgående axeln.
5. Vrid trimmerhuvudet moturs för att dra åt det mot den utgående axeln. (Fig. 32)
6. Ta bort låspinnen.

Drift

Introduktion



VARNING: Innan du använder produkten måste du läsa igenom och förstå kapitlet om säkerhet.

Bränsle

Denna produkt har en tvåtaktsmotor.



OBSERVERA: Motorn kan skadas om du fyller på med fel typ av bränsle. Använd en blandning av bensen och tvåtaktsolja.

Förblandat bränsle

- Använd förblandat alkylatbränsle från Husqvarna av bra kvalitet för bästa prestanda och förlängning av motorns livslängd. Det här bränslet innehåller mindre skadliga kemikalier jämfört med vanligt bränsle, vilket minskar de skadliga avgaserna. Mängden rester som finns kvar efter förbränning är lägre med detta bränsle, vilket håller komponenterna i motorn renare.

Blanda bränsle

Bensin



OBSERVERA: Använd inte bensin med ett oktantal lägre än 90 RON (87 AKI). Det kan orsaka skador på produkten.



OBSERVERA: Använd inte bensin med mer än 10 % etanol (E10). Det kan orsaka skador på produkten.

- Använd alltid ny blyfri bensin med ett oktantal på minst 90 RON (87 AKI) och med mindre än 10 % etanol (E10).
- Använd bensin med ett högre oktantal om du ofta använder produkten vid kontinuerligt högt motorvarvtal.

Tvåtaktsolja

- För bästa resultat och funktion ska du använda tvåtaktsolja från Husqvarna.

- Om tvåtaktsolja från Husqvarna inte finns tillgänglig kan du använda en annan tvåtaktsolja av hög kvalitet för luftkylda motorer. Tala med en serviceverkstad för att välja rätt olja.



OBSERVERA: Använd inte tvåtaktsolja för vattenkylda utombordsmotorer, s.k. outboardoil. Använd inte olja avsedd för fyrtaktsmotorer.

Blanda bensen och tvåtaktsolja

Bensin, liter	Tvåtaktsolja, liter
	2 % (50:1)
5	0,10
10	0,20
15	0,30
20	0,40



OBSERVERA: Små fel kan påverka blandningsförhållandet drastiskt när du blandar små mängder bränsle. Mät noga mängden olja för att se till att du får rätt blandning.

(Fig. 33)

1. Fyll halva mängden bensin i en ren behållare för bränsle.
2. Tillsätt all olja.
3. Skaka bränsleblandningen.
4. Fyll i återstående mängd bensin i behållaren.
5. Skaka omsorgsfullt bränsleblandningen.



OBSERVERA: Blanda inte bränsle för mer än en månad i taget.

Så tillsätter du bränsle

- Använd alltid en bränslebehållare med spillskydd.
- Om det kommer bränsle på behållaren tar du bort det oönskade bränslet och låter behållaren torka.

- Se till att området i närheten av bränsletanklocket är rent.
- Skaka bränslebehållaren innan du tillsätter bränsleblandningen i bränsletanken.

Köra in

- Under de första tio driftstimmarna ska du inte ge fullgas utan belastning under längre perioder.

Så startar och stoppar du

Undersökning före start

1. Se till att produkten inte har några saknade, skadade, lösa eller slitna delar.
2. Se till att muttrar, skruvar och bultar är åtdragna.
3. Se till att knivarna eller trimmerhuvudet inte är skadade.
4. Se till att låsmuttern är åtdragen. Se *Inspektera låsmuttern på sida 390*.
5. Se till att luftfiltret inte är igensatt.
6. Se till att produktens säkerhetsanordningar inte är defekta.
7. Se till att produkten inte har något bränsleläckage.

Justera selen



WARNING: Produkten måste alltid kopplas fast ordentligt i selen. Använd inte en defekt sele.

1. Sätt på dig selen.
2. Koppla produkten till selen.
3. Justera selen för att få bästa arbetsställning.
4. Justera sidoremmarna så att produktens vikt är jämnt fördelad på axlarna. (Fig. 34)
5. Justera selen så att skärutrustningen blir parallell med marken.
6. Låt skärutrustningen vila lätt mot marken. Justera selfästet för att balansera produkten på rätt sätt.

Notera: Om du använder en gräsklinga måste den balansera cirka 10 cm ovanför marken.

Starta kall motor

1. Tryck på bränslepumpblåsan 10 gånger. (Fig. 35)
2. Dra chokereglaget uppåt. (Fig. 36)
3. Håll motorkroppen på marken med vänster hand. (Fig. 37) Kliv inte på produkten. Dra i startsnörets handtag långsamt tills du känner ett motstånd. Dra sedan startsnörets handtag med mer kraft.

Notera: Dra inte i gasreglaget när du startar motorn.

4. Fortsätt dra i startsnörets handtag tills motorn startar eller försöker starta (max. tre drag). Om motorn startar eller försöker att starta trycker du ned

chokereglaget. Fortsätt dra tills motorn startar. Vänta 60 sekunder efter start innan du drar i gasreglaget.



OBSERVERA: Dra inte i startsnöret förrän det tar stopp. Släpp inte startsnöret när det är fullt utdraget. Släpp långsamt startsnöret. Underlåtenhet att följa dessa instruktioner kan orsaka skada på motorn.

Så startar du en varm motor

1. Tryck på bränslepumpblåsan 10 gånger.
2. Dra i startsnöret tills motorn startar.

Start av motorn när bränslet är för varmt

Om motorsågen inte startar kan det bero på att bränslet är för varmt.

Notera: Använd alltid nytt bränsle och minska drifttiden i varmt väder.

1. Placera sågen på en sval plats i skugga.
2. Låt sågen svalna i minst 20 minuter.
3. Tryck på bränslepumpblåsan om och om igen i 10–15 sekunder.
4. Följ proceduren för start av kall motor. Se *Starta kall motor på sida 388*.

Stoppa

- Tryck ned stoppreglaget för att stoppa motorn. (Fig. 21)

Notera: Stoppreglaget återgår automatiskt till ursprungsläget.

Så använder du grästrimmern



OBSERVERA: Se till att du bromsar ner motorn till tomgångsvarvtal efter varje användning. En längre period med fullgas utan belastning på motorn kan orsaka motorskada.

Notera: Rengör skyddet till trimmerhuvudet när du sätter fast en ny trimmerlina för att förhindra vibrationer. Undersök andra delar av trimmerhuvudet och rengör om det behövs.

Klippa gräset

1. Håll trimmerhuvudet strax ovanför marken och luta det. Tryck inte ned trimmerlinan i gräset. (Fig. 38)
2. Minska längden på trimmerlinan med 10–12 cm.
3. Minska motorns varvtal för att minska risken för skador på växter.
4. Använd 80 % gas när du klipper gräset nära föremål. (Fig. 39)

Klippa gräset

1. Se till att grästrimmerlinan är parallell med marken när du klipper gräset. (Fig. 40)
2. Tryck inte ned trimmerhuvudet mot marken. Det kan orsaka skador på produkten
3. För produkten från sida till sida när du klipper gräset. Använd fullgas. (Fig. 41)

Avlägsna gräs med en gräsklinga

1. Gräsklingor och gräsknivar får ej användas till vedartade stammar.
2. För alla typer av högt eller kraftigt gräs används gräsklinga.
3. Gräs mejas ned med pendlande rörelse i sidled, där rörelse från höger till vänster är röjningsmomentet och rörelse från vänster till höger är retrurrörelse. Låt klingan arbeta med vänstra sidan (mellan klockan 8 och 12).
4. Om klingan lutas något åt vänster vid gräsrojning samlas gräset i en sträng som underlättar uppsamling vid t ex krattning.
5. Sträva efter att arbeta rytmiskt. Stå stadigt med fötterna isär. Flytta framåt efter retrurrörelsen och ställ dig stadigt igen.
6. Låt stödkoppen ligga an lätt mot marken. Den är till för att skydda klingan från markansättning.
7. Minska risken för att materialet ska lindas runt klingan genom att alltid arbeta med fullgas och

undvika det redan skurna materialet under retrurrörelsen.

8. Stanna motorn, lossa selen och placera maskinen på marken innan du samlar ihop det skurna materialet.

Grästrimmerhuvud

- Se till att du drar åt grästrimmerlinan hårt och jämnt runt trumman för att minska vibrationerna.
- Använd endast godkända grästrimmerhuvuden och grästrimmerlinor. *Se Tillbehör på sida 393.*
- Använd rätt längd på grästrimmerlinan. En lång grästrimmerlina förbrukar mer motoreffekt än en kort grästrimmerlina.
- Se till att kniven på skärutrustningens skydd inte är skadad.
- Blötlägg grästrimmerlinan i vatten i 2 dygn innan du sätter fast grästrimmerlinan på produkten. Detta ökar grästrimmerlinans livslängd.

Så byter du trimmerlinan

(Fig. 42)
(Fig. 43)
(Fig. 44)
(Fig. 45)
(Fig. 46)
(Fig. 47)
(Fig. 48)
(Fig. 49)

Underhåll

Introduktion



VARNING: Innan du utför underhåll måste du läsa och förstå kapitlet om säkerhet.

För allt service- och reparationsarbete på produkten krävs särskild utbildning. Vi garanterar att du kan få en fackmannamässig reparation och service utförd. Om din återförsäljare inte är en serviceverkstad kan du tala med dem för information om närmaste serviceverkstad.

Underhållsschema

Underhåll varje vecka

- Rengör utvändiga ytor.
- Se till att skärutrustningen inte rör sig vid tomgångsvarvtal. *Se Så justerar du tomgångsvarvtalet på sida 389.*
- Inspektera fettnivån i vinkelväxeln. *Se Så tillsätter du fett i vinkelväxeln på sida 390.*
- Undersök läsmuttern. *Se Inspektera läsmuttern på sida 390.*

Underhåll varje månad

- Se till att startsnörets handtag och startsnöret inte är skadade.

Årligt underhåll

- Undersök tändstiftet. *Se Så undersöker du tändstiftet på sida 390.*
- Rengör utvändiga ytor på förgasaren och dess angränsande områden.
- Rengör kylsystemet.
- Undersök gnistskyddet. *Se Så utför du underhåll på gnistskyddet på sida 390.*
- Undersök bränslefiltret.
- Se till att bränsleslangen inte är skadad.
- Se till att kablar och anslutningar på produkten inte är skadade.

Så justerar du tomgångsvarvtalet

- Se till att luftfiltret är rent och att luftfilterkåpan sitter fast innan du justerar tomgångsvarvtalet.
- Justera tomgångsvarvtalet med justerskruven T som är märkt med "T".
- Tomgångsvarvtalet är korrekt när motorn arbetar jämnt i alla positioner. Tomgångsvarvtalet ska vara lägre än det varvtal då skärutrustningen börjar rotera.

1. Vrid tomgångsjusterskruven medurs tills skärutrustningen börjar rotera. (Fig. 50)
2. Vrid tomgångsjusterskruven moturs tills skärutrustningen stannar.

Så utför du underhåll på gnistskyddet

Använd en stålborste för att rengöra gnistskyddet. (Fig. 51)

Så rengör du kylsystemet

Rengör kylsystemets delar med en borste.

(Fig. 52)

Så undersöker du tändstiftet



OBSERVERA: Använd det rekommenderade tändstiftet. Se till att det nya är likadant som tillverkarens del. Ett felaktigt tändstift kan skada produkten.

1. Undersök tändstiftet när:
 - a) motorn har låg effekt,
 - b) motorn inte startar på en gång,
 - c) motorn inte fungerar korrekt på tomgång.
2. Om motorn inte startar eller fungerar som den ska bör du genomsöka tändstiftet efter oönskat material. Om du vill minska risken för oönskat material på tändstiftets elektroder:
 - a) Se till att tomgångsvarvtalet är korrekt justerat.
 - b) Se till att bränsleblandningen är korrekt.
 - c) Se till att luftfiltret är rent.
3. Rengör tändstiftet om det är smutsigt. Kontrollera att elektrodavståndet är korrekt. (Fig. 53)
4. Byt ut tändstiftet om det är nödvändigt.

Så utför du underhåll på luftfiltret

Rengöring av luftfiltret

1. Tag bort luftfilterkåpan och luftfiltret. (Fig. 54)
2. Rengör luftfiltret med hjälp av varmt tvålatten. Se till att luftfiltret är torrt innan du installerar det.
3. Byt ut luftfiltret om det är för smutsigt för att rengöra helt. Byt alltid ut ett skadat luftfilter.
4. Om din produkt har ett skumluftfilter tillsätter du luftfilterolja. Applicera endast luftfilterolja på ett skumfilter. Använd inte olja på ett filter av filt.

Så applicerar du luftfilterolja på luftfiltret



OBSERVERA: Använd alltid speciell luftfilterolja på skumluftfilter. Använd inga andra typer av olja.



VARNING: Se till att inte få olja på kroppen.

1. Tag bort luftfilterkåpan och luftfiltret. (Fig. 55)
2. Lägg luftfiltret i en plastpåse.
3. Tillsätt luftfilterolja i plastpåsen. (Fig. 56)
4. Tryck på plastpåsen för att se till att oljan fördelas jämnt på luftfiltret.
5. Tryck på luftfiltret i påsen för att ta bort överflödig luftfilterolja. Ta ut luftfiltret ur påsen.
6. Montera luftfiltret.

Så tillsätter du fett i vinkelväxeln

Kontrollera att vinkelväxeln är fylld till 3/4 med vinkelväxelfett.

(Fig. 57)

Inspektera låsmuttern



OBSERVERA: Byt ut låsmuttern efter var 10:e användning.

1. Vrid låsmuttern moturs för att dra åt den. Vrid låsmuttern medurs för att ta bort den. (Fig. 58)
2. Se till att det inte går att vrida låsmutterns nylonlåsning med händerna. Nylonlåsningen måste ge ett motstånd på minst 1,5 Nm/1,1 ft/lb.
3. Dra åt låsmuttern till 35–50 Nm/26–36 ft/lb om motståndet är lägre än minimum.



OBSERVERA: Om du drar åt låsmuttern för mycket kan gängorna skadas.

Fila gräskniven och gräsklingan



VARNING: Stoppa motorn. Använd skyddshandskar.

- För att fila gräskniven eller gräsklingan på rätt sätt ska du läsa anvisningarna som medföljer skärutrustningen.
- Fila alla eggar lika mycket för att behålla balansen.
- Använd en enkelgradig flatfil. (Fig. 59)



VARNING: Kassera alltid en klinga som är skadad. Försök inte att göra en böjd eller vriden klinga rak och använd den igen.

Felsökning

Maskinen startar inte

Kontrollera	Möjlig orsak	Förfarande
Stoppkontakt.	Stoppkontakten är i stoppläget.	Ställ stoppkontakten i startläge.
Starthakar.	Starthakarna kan inte röra sig fritt.	Ta bort startmotorns kåpa och rengör runt starthakarna.
		Låt en godkänd serviceverkstad hjälpa dig.
Bränsletank.	Fel bränsle påfyllt.	Töm bränsletanken och fyll på med rätt bränsle.
Tändstift.	Tändstiftet är smutsigt eller vått.	Se till att tändstiftet är torrt och rent.
	Tändstiftets elektrodavstånd är felaktigt.	Rengör tändstiftet. Kontrollera att elektrodavståndet är korrekt (). Se till att tändstiftet har en dämpare. Se tekniska data för korrekt elektrodavstånd.
	Tändstiftet sitter löst.	Dra åt tändstiftet.

Motorn startar men stannar igen

Kontrollera	Möjlig orsak	Förfarande
Bränsletank	Fel bränsle påfyllt.	Töm bränsletanken och fyll den med rätt bränsle.
Luftfilter	Luftfiltret är igensatt.	Rengör luftfiltret.

Transport, förvaring och kassering

Transport och förvaring

- Låt produkten svalna före transport eller förvaring.
 - Ta bort tändhatten före långvarig förvaring.
 - Sätt fast produkten under transport. Se till att den inte kan förflytta sig.
 - Kontrollera att det inte finns någon risk för läckor, bränsleångor, gnistor eller flammor under transport och förvaring.
- Sätt fast transportskyddet under transport och förvaring.
 - Rengör och utför service på produkten innan långvarig förvaring.

Tekniska data

Tekniska data

	325R
	A05328CBHV
Motor	
Cylindervolym, cm ³	27,6
Tomgångsvarvtal, varv/min	2 800–3 200
Rekommenderat högsta varvtal, varv/min	8 000
Effekt/max. motoreffekt enligt ISO 8893, kW/hk vid varv/min	0,9/1,2 vid 8 000
Katalysatorljuddämpare	Ja
Varvtal på utgående axel, varv/min	7 200
Tändsystem	
Tändstift	Husqvarna HQT-4
Elektroddgap, mm	0,5
Bränslesystem	
Bränsletankvolym, l/cm ³	0,343/343
Produktens mått	
Vikt, kg	5,5
Bulleremissioner⁷⁶	
Ljudeffektnivå, uppmätt, utrustad med gräsklinga, dB(A)	108
Ljudeffektnivå, uppmätt, utrustad med trimmerhuvud, dB(A)	110
Ljudeffektnivå, garanterad (L _{WA}), utrustad med gräsklinga, dB(A)	112
Ljudeffektnivå, garanterad (L _{WA}), utrustad med trimmerhuvud, dB(A)	114
Ljudnivåer⁷⁷	
Ljudtrycksnivå vid användarens öra, utrustad med gräsklinga, dB(A)	96
Ljudtrycksnivå vid användarens öra, utrustad med trimmerhuvud, dB(A)	95
Vibrationsnivåer⁷⁸	
Ekvivalent vibrationsnivå (ahv, ekv.), utrustad med gräsklinga, vänster handtag, m/s ²	5,1

⁷⁶ Emission av buller till omgivningen uppmätt som ljudeffekt (L_{WA}) enligt EG-direktiv 2000/14/EG. Rapporterad ljudeffektnivå för produkten har uppmätts med den originalskärutrustning som ger den högsta nivån. Skillnaden mellan garanterad och uppmätt ljudeffekt är att den garanterade ljudeffekten också inkluderar spridning i mätresultatet och variationen mellan olika produkter av samma modell enligt direktiv 2000/14/EG.

⁷⁷ Rapporterade data för ekvivalent ljudtrycksnivå för produkten har en typisk statistisk spridning (standardavvikelse) på 1 dB(A).

⁷⁸ Rapporterade data för ekvivalent vibrationsnivå har en typisk statistisk spridning (standardavvikelse) på 1 m/s².

	325R A05328CBHV
Ekvivalent vibrationsnivå (ahv, ekv.), utrustad med gräsklinga, höger handtag, m/s ²	5,7
Ekvivalent vibrationsnivå (ahv, ekv.), utrustad med trimmerhuvud, vänster handtag, m/s ²	4,1
Ekvivalent vibrationsnivå (ahv, ekv.), utrustad med trimmerhuvud, höger handtag, m/s ²	4,9

Tillbehör

Tillbehör

Godkända tillbehör	Typ	Trimmerhuvudets skydd
Gängad axel	M10L	
Trimmerhuvud	T35, 2,4 mm	588 11 79-01
Gräsklinga	Gräs 255-4, Ø 250	588 11 79-01

EG-försäkringen om överensstämmelse

Innehållet i EG-försäkringen om överensstämmelse

Husqvarna AB, SE-561 82 Huskvarna, SVERIGE, försäkras härmed på eget ansvar att den företrädda produkten:

Beskrivning	Bensindriven grässtrimmer/buskröjare
Varumärke	Husqvarna
Plattform/typ/modell	Plattform A05328CBHV, representerar modell 325R.
Parti	Serienummer daterade 2018 och framåt.

uppfyller alla krav i följande EU-direktiv och förordningar:

Direktiv/förordning	Beskrivning
2006/42/EG	"angående maskiner"
2014/30/EU	"angående elektromagnetisk kompatibilitet"
2000/14/EG	"angående buller utomhus"
2011/65/EU	"angående begränsning av användning av vissa farliga ämnen"

Följande harmoniserade standarder och/eller tekniska specifikationer tillämpas: EN ISO 12100, EN ISO 11806-1, CISPR 12, ISO 14982, EN 50581:2012.

I enlighet med direktiv 2000/14/EG, bilaga V finns ljudvärdena angivna i avsnittet tekniska data i denna handbok och i den undertecknade EU-försäkringen om överensstämmelse.

TÜV Rheinland N.A. har utfört en frivillig kontroll åt Husqvarna AB – Certifikat om överensstämmelse med Rådets direktiv 2006/42/EG om maskiner.

Certifikatet, som levereras med en undertecknad EG-försäkringen om överensstämmelse, är tillämpligt på alla tillverkningsplatser och ursprungsländer, såsom anges på produkten.

Den levererade bensindrivna grässtrimmern/buskröjaren överensstämmer med det exemplar som genomgick kontrollen.

İçindekiler

Giriş.....	395	Sorun giderme.....	405
Güvenlik.....	396	Taşıma, depolama ve atma.....	405
Montaj.....	400	Teknik veriler.....	406
Kullanım.....	401	Aksesuarlar.....	407
Bakım.....	403	AT Uyumluluk Bildirimi.....	408

Giriş

Kullanım kılavuzu

Bu kullanım kılavuzunun asıl dili İngilizcedir. Diğer dillerdeki kullanım kılavuzları İngilizceden çevrilmiştir.

Kullanım amacı

Ürünü çim bıçağı veya misina kafa ile değişik türdeki yeşillikleri kesmek için kullanın.

Ürüne genel bakış

(Şek. 1)

1. Misina kafa
2. Yağ doldurma kapağı
3. Ayna dişli
4. Kesme donanımı siperliği
5. Mil
6. Durdurma anahtarı
7. Gaz tetiği
8. Gaz tetiği kilidi
9. Gidon
10. Taşıma askısı kelepçesi
11. Çalıştırıcı muhafazası
12. Buji kapağı, buji
13. Çalıştırma ipi tutma yeri
14. Yakıt tankı
15. Hava filtresi kapağı
16. Yakıt pompası diyaframı haznesi
17. Jikle kontrolü
18. Gidon ayarı
19. Gaz teli
20. Yüksek rölanlı düğmesi
21. Taşıma askısı
22. Kombine anahtar
23. Kullanım kılavuzu
24. Nakliye koruyucusu
25. Bıçak
26. Destek manşeti
27. Destek flanşı
28. Kilitleme somunu
29. Çalıştırma disk

Not: Ulusal düzenlemeler ürünün kullanımını kısıtlayabilir.

30. Kilit pimi
31. Alıyan anahtarı

Ürün üzerindeki semboller

- (Şek. 2) **UYARI!** Bu ürün tehlikelidir. Ürün dikkatli ve doğru bir şekilde kullanılmazsa operatör veya yakındaki kimseler yaralanabilir veya ölebilir. Operatörün veya yakındaki kimselerin yaralanmasını önlemek için kullanım kılavuzundaki tüm güvenlik talimatlarını okuyup bunlara uyun.
- (Şek. 3) Lütfen kullanım kılavuzunu dikkatle okuyun ve kullanımdan önce talimatları anladığınızdan emin olun.
- (Şek. 4) Üzerinize nesne düşebilecek yerlerde koruyucu baret kullanın. Onaylanmış kulak koruma ekipmanı kullanın. Onaylı koruyucu gözlük kullanın.
- (Şek. 5) Onaylı koruyucu eldiven kullanın.
- (Şek. 6) Ağır işler için elverişli, kaymaya dirençli botlar kullanın.
- (Şek. 7) Oklar, tutacağıın konumunun sınırlarını gösterir.
- (Şek. 8) Ürün, nesne fırlatarak yaralanmaya neden olabilir.
- (Şek. 9) Çıkış milinin maksimum hızı.
- (Şek. 10) Ürünü kullanırken başka kişilerle ve hayvanlarla aranızda en az 15 m/50 ft mesafe bırakın.

(Şek. 11) Kesme donanımı anında kesemediği bir nesneye dokunursa bıçak saplanması riski oluşur. Ürün, uzuvların kesilmesine neden olabilir. Ürünü kullanırken başka kişilerle ve hayvanlarla aranızda en az 15 m/50 ft mesafe bırakın.

(Şek. 12) Yakıt pompası diyaframı haznesi.

(Şek. 13) Jikle.

(Şek. 14) Vücudunuzun tüm parçalarını sıcak yüzeylerden uzak tutun.

(Şek. 15) Çevreye yayılan gürültü emisyonu Avrupa Birliği Direktifi'ne uyar. Ürünün emisyonu Teknik veriler bölümünde ve etiketin üstünde belirtilmektedir.

(Şek. 16) Ürün, geçerli AT direktiflerine uygundur.

(Şek. 17) Ürün, geçerli EAC direktiflerine uygundur.

Nominal değerler plakası seri numarasını gösterir. **yyyy** üretim yılı, **hh** üretim haftası ve **xxxxx** seri numarasıdır.

yyyyhhxxxxx

Not: Ürünün üzerindeki diğer semboller/etiketler, diğer ticari alanların sertifikalandırma gereklilikleri ile ilgilidir.

Ürün sorumluluğu

Ürün sorumluluğu yasalarında belirtildiği üzere;

- ürünün hatalı bir şekilde onarılması,
- ürünün, üretici tarafından onaylanmayan veya üreticiden alınmayan parçalarla tamir edilmesi,
- üründe, üreticiden alınmayan veya üretici tarafından onaylanmayan bir aksesuar bulunması,
- ve ürünün, onaylı bir servis merkezinde veya yetkili bir kurum tarafından tamir edilmemesi durumunda oluşabilecek hasarlardan sorumlu değiliz.

EU V



UYARI: Motorun kurcalanması bu ürünün AB tip onayını geçersiz kılar.

Güvenlik

Güvenlik tanımları

Kılavuzdaki önemli kısımları vurgulamak için uyarılar ve notlar kullanılmıştır.



UYARI: Kılavuzdaki talimatlara uyulmadığı takdirde operatör veya çevredeki kişiler için ciddi yaralanma veya ölüm tehlikesi varsa kullanılır.



DİKKAT: Kılavuzdaki talimatlara uyulmadığı takdirde ürünün, diğer malzemelerin veya çevrenin zarar görme riski olduğunda kullanılır.

Not: Belirli bir durumda bilgi verilmesi gerektiğinde kullanılır.

Titreşim güvenliği

Bu ürün yalnızca ara sıra kullanım içindir. Ürünün aralıksız ya da düzenli olarak kullanılması titreşimden kaynaklanan "beyaz parmak" hastalığına veya benzer tıbbi sorunlara yol açabilir. Ürünü aralıksız ya da düzenli olarak kullanıyorsanız ellerinizin ve parmaklarınızın

durumunu inceleyin. Ellerinizde ya da parmaklarınızda renk solması, ağrı, karıncalanma veya hissizlik varsa çalışmayı bırakın ve derhal bir doktora gidin.

Genel güvenlik talimatları



UYARI: Ürünü kullanmadan önce aşağıdaki uyarı talimatlarını okuyun.

- Ürünü doğru şekilde kullanın. Yaralanma veya ölüm, hatalı kullanımın olası sonuçlarıdır. Ürünü, yalnızca bu kılavuzda belirtilen işler için kullanın. Ürünü başka işler için kullanmayın.
- Bu kılavuzdaki talimatlara uyun. Güvenlik sembollerine ve güvenlik talimatlarına uyun. Operatörün talimatlara ve sembolere uymaması yaralanma, hasar veya ölümle sonuçlanabilir.
- Bu kılavuzu atmayın. Ürününüzü monte etmek, çalıştırmak ve iyi durumda tutmak için talimatlara başvurun. Ataşmanların ve aksesuarların doğru kurulumu için talimatlara başvurun. Yalnızca onaylanmış ataşmanları ve aksesuarları kullanın.
- Hasarlı ürünü kullanmayın. Bakım takvimine uyun. Yalnızca bu kılavuzda ilgili talimatı bulduğunuz

bakım çalışmalarını gerçekleştirin. Diğer tüm bakım işlerini onaylı bir servis merkezi yapmalıdır.

- Bu kılavuz, ürünü kullanırken oluşabilecek tüm durumları kapsayamaz. Dikkatli olun ve sağduyunuzu kullanın. Durumdan emin değilseniz ürünü kullanmayın veya ürün üzerinde bakım yapmayın. Bilgi almak için bir ürün uzmanına, bayinize, servis noktasına veya onaylı servis merkezine danışın.
- Ürünü monte etmeden, saklamadan veya ürün üzerinde bakım yapmadan önce buji kablosunun bağlantısını kesin.
- Orijinal özellikleri değiştirilmişse ürünü kullanmayın. Üreticinin onayı olmadan ürünün bir parçasını değiştirmeyin. Yalnızca üretici tarafından onaylanmış parçaları kullanın. Hatalı bakım çalışmaları, yaralanma veya ölüme sonuçlanabilir.
- Motordan çıkan dumanları solumayın. Motordan çıkan egzoz dumanlarını uzun süre solumak sağlık açısından risklidir.
- Ürünü kapalı yerlerde veya yanıcı maddelerin yakınında çalıştırmayın. Egzoz dumanları sıcaktır ve bir yangına neden olabilecek kıvılcımlar içerebilir. Nefessiz kalma veya karbon monoksit nedeniyle yeterli hava akışının olmaması yaralanmaya veya ölüme sebep olabilir.
- Bu ürünü kullandığınızda motor, elektromanyetik bir alan oluşturur. Elektromanyetik alan, tıbbi implantlara zarar verebilir. Ürünü kullanmadan önce doktorunuzla ve tıbbi implant üreticinizle iletişime geçin.
- Ürünü, bir çocuğun kullanmasına izin vermeyin. Talimatlar hakkında bilgisi olmayan birinin ürünü çalıştırmasına izin vermeyin.
- Fiziksel veya zihinsel kapasitesi düşük olan bir kişi ürünü kullanırken daima gözetim altında tutun. Sorumluluk sahibi bir yetişkin her zaman orada olmalıdır.
- Ürünü, çocukların ve onaylanmayan kişilerin ulaşamayacağı bir yere kilitleyin.
- Ürün, nesnelere fırlatarak yaralanmaya sebep olabilir. Yaralanma veya ölüm riskini azaltmak için güvenlik talimatlarına uyun.
- Motor açıkken üründen uzaklaşmayın.
- Oluşabilecek kazalardan operatör sorumludur.
- Ürünü kullanmadan önce parçaların hasarlı olmadığından emin olun.
- Ürünü kullanmadan önce diğer insanlardan veya hayvanlardan en az 15 m (50 ft) uzakta olduğunuzdan emin olun. Etrafınızdaki kişilerin ürünü kullanacağınıza bildiklerinden emin olun.
- Ulusal veya yerel yasalara uyun. Bazı koşullarda bu yasalar, ürünün kullanımını önleyebilir veya kısıtlayabilir.
- Ürünü yorgunken veya alkol, uyuşturucu ya da ilaç etkisi altındayken kullanmayın. Bu maddeler; görmenizi, dikkatinizi, koordinasyonunuzu ya da karar alma yetinizi etkileyebilir.

Montaj için güvenlik talimatları



UYARI: Ürünü kullanmadan önce aşağıdaki uyarı talimatlarını okuyun.

- Ürünün montajını yapmadan önce buji kapağını bujiden çıkarın.
- Onaylı koruyucu eldiven kullanın.
- Motoru çalıştırmadan önce kapağı ve mili doğru şekilde monte ettiğinizden emin olun.
- Çalıştırma diski ve destek flanşı, kesme donanımının orta deliğine doğru şekilde yerleşmelidir. Yanlış şekilde takılan kesme donanımı, operatör ve başkaları açısından ciddi yaralanmalara veya ölüme neden olabilir.
- Ürünü güvenli bir şekilde çalıştırmak ve operatörün veya başkalarının yaralanmasını önlemek için ürünün kuşam askılığın daima doğru şekilde takılması gerekir.

Kullanım için güvenlik talimatları



UYARI: Ürünü kullanmadan önce aşağıdaki uyarı talimatlarını okuyun.

- Ürünü kullanmadan önce ürünün tamamen monte edildiğinden emin olun.
- Ürünü çalıştırmadan önce, yakıt tankını doldurduğunuz konumdan 3 m/10 ft uzağa taşıyın. Ürünü düz bir yüzeye yerleştirin. Kesme donanımının yere veya diğer cisimlere temas etmediğinden emin olun.
- Ürün, nesnelere fırlatılmasına neden olabilir; bu durum gözle zarar verebilir. Ürünü kullanırken daima onaylı bir koruyucu gözlük takın.
- Dikkatli olun; çalışma sırasında bir çocuk siz fark etmeden ürüne yaklaşabilir.
- Çalışma alanında insanlar varsa ürünü çalıştırmayın. Çalışma alanına biri girerse ürünü durdurun.
- Her zaman ürünün kontrolünün sizde olduğundan emin olun.
- Bir kaza oluşması durumunda yardım alamayacak durumdaysanız ürünü kullanmayın. Her zaman ürünü kullanmaya başlamadan önce diğer kişilerin ürünü kullanacağınıza bildiğinden emin olun.
- Güvenlik alanında hiçbir insan veya hayvan bulunmadığından emin olmadan ürünü dönüş yapmayın.
- Çalışmaya başlamadan önce çalışma alanındaki tüm istenmeyen nesnelere kaldırın. Kesme donanımı bir nesneye çarparsa nesne fırlayabilir ve yaralanmaya sebep olabilir. İstenmeyen nesnelere, kesme donanımının etrafına dolanabilir ve hasara neden olabilir.
- Kötü hava koşullarında (sis, yağmur, kuvvetli rüzgar, yıldırım düşme riski veya diğer hava koşulları) ürünü

kullanmayın. Kötü hava nedeniyle tehlikeli koşullar (örn. kaygan yüzeyler) oluşabilir.

- Rahatça hareket edebildiğinizden ve dengeli bir pozisyonda çalışabildiğinizden emin olun.

(Şek. 18)

- Ürünü kullanırken düşme ihtimaliniz olmadığından emin olun. Ürünü kullanırken eğilmeyin.
- Ürünü daima iki elinizle tutun. Ürünü vücudunuzun sağ tarafında tutun.

(Şek. 19)

- Ürünü, kesme donanımı bel hizanızın altında kalacak şekilde kullanın.
- Jikle kontrolü, motor başladığında jikle konumundaysa kesme donanımı dönmeye başlar.
- Motor durduktan sonra ayna dışıye dokunmayın. Ayna dışı, motor durduktan sonra sıcak olur. Sıcak bölgeler yaralanmaya sebep olabilir.
- Ürünü taşımadan önce motoru durdurun.
- Motor açıkken ürünü yere koymayın.
- Üründeki istenmeyen malzemeleri çıkarmadan önce motoru durdurun ve kesme donanımının durmasını bekleyin. Sız veya bir yardımcı kesilen malzemeleri temizlemeden önce kesme donanımının durmasını bekleyin.

Kişisel koruyucu ekipman



UYARI: Ürünü kullanmadan önce aşağıdaki uyarı talimatlarını okuyun.

- Ürünü kullanırken her zaman uygun kişisel koruyucu ekipmanlar kullanın. Kişisel koruyucu ekipmanlar yaralanma riskini ortadan kaldırmaz. Kişisel koruyucu ekipmanlar, bir kaza oluşması durumunda yaralanma derecesini azaltır.
- Ürünü kullanırken daima onaylı bir koruyucu gözlük kullanın.
- Ürünü çıplak ayakla veya açık ayakkabılarla kullanmayın. Her zaman ağır hizmet tipi kaymayan botlar giyin.
- Kalın, uzun pantolonlar giyin.
- Gerekliyse onaylı koruyucu eldivenler takın.
- Nesnelerin kafanıza düşme riski varsa bir baret kullanın.
- Ürünü kullanırken daima onaylı bir koruyucu kulaklık takın. Uzun süre boyunca gürültüye maruz kalmak gürültüye bağlı işitme kaybına neden olabilir.
- Yakınıınızda bir ilk yardım kiti bulunduğundan emin olun.

Ürünün üzerindeki güvenlik aletleri



UYARI: Ürünü kullanmadan önce aşağıdaki uyarı talimatlarını okuyun.

- Güvenlik araçları arızalı olan bir ürünü kullanmayın.

- Güvenlik araçlarını düzenli olarak kontrol edin. Bkz. *Ürüne genel bakış sayfa: 395.*
- Güvenlik araçları arızalıysa Husqvarna bayinizle görüşün.

Gaz tetiği kilidi

Gaz tetiği kilidi, gaz tetiğini kilitlet.

(Şek. 20)

Gaz tetiğini (B) serbest bırakmak için gaz tetiği kilidine (A) basın. Kolu serbest bıraktığınızda gaz tetiği kilidi ve gaz tetiği ilk konumuna geri döner.

1. Gaz tetiği kilidini (A) serbest bıraktığınızda gaz tetiğinin (B) rölanı konumunda kilitletiğinden emin olun.
2. Gaz tetiği kilidine (A) basın ve kilidi serbest bıraktığınızda ilk konumuna döndüğünden emin olun.
3. Gaz tetiğine (B) basın ve tetiği serbest bıraktığınızda ilk konumuna döndüğünden emin olun.

Motoru çalıştırın ve tam gaz verin. Gaz tetiğini serbest bırakın ve kesme donanımının durup durmadığını kontrol edin. Gaz, rölanı konumundayken kesme donanımı dönüyorsa karbüratörün rölanı ayar vidasını inceleyin.

Durdurma anahtarı

Motoru başlatın. Durdurma anahtarını durma konumuna getirdiğinizde motorun durduğundan emin olun.

(Şek. 21)

Kesme donanımı koruyucusu

Kesme donanımı siperliği, nesnelerin operatöre doğru fırlatılmasını engeller.

(Şek. 22)

Kesme donanımı siperliğinde hasar olup olmadığını kontrol edin ve hasarlıysa siperliği değiştirin. Yalnızca onaylı kesme donanımı siperliğini kullanın.

Susturucu

- Susturucusu hasar görmüş motor kullanmayın. Hasarlı bir susturucu, gürültü düzeyini ve yangın riskini artırır. Yakında bir yangın söndürücü bulundurun.
- Susturucunun ürüne takılı olup olmadığını düzenli olarak kontrol edin.
- Motor açıkken motora veya susturucuya dokunmayın. Motor durduktan sonra motora veya susturucuya bir süre boyunca dokunmayın. Sıcak yüzeyler yaralanmalara sebep olabilir.
- Sıcak susturucu yangına neden olabilir. Ürünü yanıcı sıvıların veya dumanların yakınında kullanırken dikkatli olun.
- Susturucu hasar görmüşse susturucudaki parçalara dokunmayın. Parçalar kanserojen kimyasallar içerebilir.

Kilitleme somunu

Kilitleme somunu, bazı kesme donanımı türlerini kilitlemek için kullanılır.

(Şek. 23)

Kilitleme somununu taktığınızda somunu, kesme donanımının çalışma yönünün tersine doğru sıkın.

Kuşam askılık çıkarma işlevi



UYARI: Çıkarma işlevi sorunluysa kuşam askılığı kullanmayın. Ürünü ayarlarken kuşam askılık çıkarma işlevinin düzgün çalıştığından emin olun.

Kuşam askılık çıkarma işlevi ürünün ön kısmında bulunur. Kuşam askılık kayışları her zaman doğru konumda olmalıdır.

(Şek. 24)

Kuşam askılık çıkarma işlevi, acil durumlarda üründen güvenli bir şekilde ayrılmanızı sağlar.

Kesme donanımı



UYARI: Ürünü kullanmadan önce aşağıdaki uyarı talimatlarını okuyun.

- Düzenli olarak bakım yapın. Ayarlama veya onarım yapılması için düzenli olarak kesme donanımının onaylı bir servis merkezi tarafından incelenmesini sağlayın.
- Kesme donanımının performansı artar.
- Kesme donanımının kullanım ömrü uzar.
- Kaza riski azalır.
- Yalnızca onaylı bir kesme donanımı siperliği kullanın. Daha fazla bilgi için bkz. *Aksesuarlar sayfa: 407*.
- Hasarlı kesme donanımı kullanmayın.

Çim bıçakları ve çim kesiciler

- Ürünü, onaylı bir çim bıçağıyla kullanın. Tüm gerekli parçalar düzgün bir şekilde takılmadan çim bıçağını kullanmayın. Kurulumun doğru yapıldığından ve uygun parçaların kullanıldığından emin olun. Yanlış kurulum, bıçakların yerinden çıkıp fırlayarak operatörün veya etrafta duranların ciddi bir şekilde yaralanmasına sebep olabilir.
- Bıçağı taşıırken veya bıçak üzerinde bakım yaparken koruyucu eldivenler takın.
- Çim bıçağı takılı bir ürünü kullanırken kafa koruma ekipmanı kullanın.
- Çim bıçakları ve çim kesiciler sert çimleri kesmek için kullanılır.
- Motor durdurulduktan sonra veya gaz tetiği serbest bırakıldıktan sonra dönmeye devam eden bir çim bıçağı yaralanmalara sebep olabilir. Herhangi bir bakım işlemini gerçekleştirmeden önce çim bıçağını tamamen durduğundan emin olun.

- Kesme donanımı üzerinde bir işlem yapmadan önce motoru durdurun. Kesme donanımının tamamen durduğundan emin olun. Kabloyu bujiden ayırın.
- Yalnızca onaylı kesme donanımını veya doğru şekilde bilenmiş bıçakları kullanın.
- Bıçağın dişlerini doğru şekilde bileyenmiş biçimde tutun.

(Şek. 25)

- Hasarlı kesme donanımı kullanmayın.
- Ürünü taşımadan veya depolamadan önce çim bıçağına nakliye koruyucusunu takın.

Bıçak sekmesi

- Bıçak sekmesi, ürünün aniden yanlara, öne veya arkaya doğru hareket etmesidir. Bıçak sekmesi, çim bıçağı veya testere bıçağı kesilmeyen bir nesneye çarptığı zaman meydana gelir. Kesilen malzemeyi görmeyen kolay olmadığı alanlarda bıçak sekmesi riski artar.
- Bıçak sekmesi, ürünün veya operatörün bulunduğu konumdan savrulmasına neden olabilir. Hareket eden bir bıçak etrafta duranlara çarpabilir ve yaralanma riski doğurur.
- Bıçak bükülmüş, çatlak, kırık veya hasarlıysa bıçağı çıkarın.
- Keskin bir bıçak kullanın. Bıçağın keskin olmaması bıçak sekmesi riskini artırır.

Yakıt güvenliği



UYARI: Ürünü kullanmadan önce aşağıdaki uyarı talimatlarını okuyun.

- Yakıtı kapalı bir mekanda veya bir ısı kaynağının yakınında karıştırmayın.
- Ürünün üzerinde yakıt veya motor yağı varsa ürünü çalıştırmayın. İstenmeyen yakıtı/yağı temizleyin ve ürünün kurumasını bekleyin. Üründeki istenmeyen yakıtı temizleyin.
- Kıyafetlerinize yakıt bulaşırsa kıyafetlerinizi hemen değiştirin.
- Vücudunuza yakıt bulaştırmayın; bu, yaralanmaya sebep olabilir. Vücudunuza yakıt bulaşırsa yakıtı temizlemek için su ve sabun kullanın.
- Ürüne ya da vücudunuza yağ veya yakıt dökerseniz motoru çalıştırmayın.
- Motorda sızıntı varsa ürünü çalıştırmayın. Motorda sızıntı olup olmadığını düzenli olarak kontrol edin.
- Yakıtlı uğraşırken dikkatli olun. Yakıt yanıcı ve dumanlar patlayıcıdır; yaralanmalara veya ölüme sebep olabilir.
- Yaralanmaya sebep olabileceğinden yakıt dumanını solumayın. Yeterli hava akışı olduğundan emin olun.
- Yakıtın veya motorun yakınında sigara içmeyin.
- Yakıtın veya motorun yakınına sıcak nesnelere koymayın.
- Motor açıkken yakıt eklemeyin.

- Yakıtı yenilemeden önce motorun soğuduğundan emin olun.
- Yakıtı yenilemeden önce yakıt tankı kapağını yavaşça açın ve basıncı dikkatlice tahliye edin.
- Kapalı bir alanda motora yakıt eklemeyin. Nefessiz kalma veya karbon monoksit nedeniyle yeterli hava akışının olmaması yaralanmaya veya ölüme sebep olabilir.
- Yakıt tankı kapağını dikkatlice sıkın; aksi takdirde yangın çıkabilir.
- Çalıştırmadan önce ürünü, yakıt tankını doldurduğunuz konumdan en az 3 m (10 ft) uzağa taşıyın.
- Yakıt tankına çok fazla yakıt doldurmayın.
- Ürünü veya yakıt konteynerini taşıırken sızıntı olmadığını emin olun.
- Ürünü veya bir yakıt konteynerini açık ateşin, kıvılcımın veya pilot alevinin olduğu bir alana koymayın. Depolama alanında açık alev olmadığından emin olun.
- Yakıtı taşıırken veya depolarken yalnızca onaylı konteynerleri kullanın.
- Ürünü uzun süre saklamadan önce yakıt tankını boşaltın. Yakıtın nereye atılacağı konusunda yerel yasalara uyun.

- Ürünü uzun süre saklamadan önce temizleyin.
- Motorun kazara çalışmasını engellemek için ürünü saklamadan önce buji kablosunu çıkarın.

Bakım için güvenlik talimatları



UYARI: Ürün üzerinde bakım yapmadan önce aşağıdaki uyarı talimatlarını okuyun.

- Sadece bu kullanım kılavuzunda gösterilen bakım ve servis işlemlerini yapın. Diğer tüm servis ve onarım işlemlerini profesyonel servis çalışanlarına yaptırın.
- Bu kılavuzda belirtilen güvenlik kontrolleri ile bakım ve servis talimatlarını düzenli olarak uygulayın. Düzenli bakım ürünün kullanım ömrünü uzatır ve kaza riskini azaltır. Talimatlar için bkz. *Bakım takvimi sayfa: 403.*
- Bakım yaptıktan sonra bu kullanım kılavuzunda belirtilen güvenlik kontrolleri onaylanmazsa servis bayinizle iletişime geçin. Ürününüz için profesyonel onarım ve servis hizmetinin mevcut olduğunu garanti ederiz.

Montaj

Giriş



UYARI: Ürünü monte etmeden önce güvenlik bölümünü okuyup anlamalısınız.



UYARI: Ürünün montajını yapmadan önce buji kablosunu bujiden çıkarın.

Gidonun monte edilmesi

1. Gaz kolunun arkasındaki vidayı sökün. (Şek. 26)
2. Gaz kolunu tutma çubuğunun sağ tarafına doğru hareket ettirin.
3. Gaz kolunun arkasındaki deliği tutma çubuğundaki delikle hizalayın.
4. Vidayı deliklerin içinden geçirin. Vidayı sıkın.
5. Gidonu, mil üzerindeki okların arasına takın. Vidayı sıkın. (Şek. 27)

Kuşam askılık kelepçesinin takılması

1. Kuşam askılık kelepçesinin halka tarafı yukarıda olacak şekilde kuşam askılık kelepçesini milin üzerine yerleştirin. Kuşam askılık kelepçesini mil üzerindeki okların üstüne yerleştirin.
2. Gaz kablosunu kuşam askılık kelepçesinin altındaki oluğuna yerleştirin.

3. Kuşam askılık kelepçesindeki vida deliklerini hizalayın.
4. 2 vidayı vida deliklerine takın.
5. Vidaları sıkın.

Kesme donanımının monte edilmesi

Kesme donanımı siperliğinin montajı

1. Kesme donanımı siperliğini (A) milin üzerine yerleştirin. (Şek. 28)
2. Braketi (B) kesme donanımı siperliğinin üzerindeki yuvaya yerleştirin.
3. Cıvatarı (C) braket üzerindeki delikten kesme donanımı siperliğine geçirin.

Çim bıçağının montajı

1. Kesme donanımı siperliğinin (A) ürüne takıldığından emin olun. Bkz. *Kesme donanımı siperliğinin montajı sayfa: 400.* (Şek. 29)
2. Mili kilitlemek için kilit pimini (B) deliğe yerleştirin.
3. Bıçağı (E), destek manşetini (F) ve destek flanşını (G) çıkış milini (D) üzerine yerleştirin.
4. Çalıştırma diskinin (C) bıçağın orta deliğine doğru şekilde oturduğundan emin olun. (Şek. 30)
5. Kilitleme somununu (H) çıkış milinin üzerine yerleştirin. Kombine anahtar sapını, kesme donanımı siperliğine yakın bir noktadan tutun. Kilitleme somununu sıkamak için kombine anahtar saat

yönünün tersine çevirin. Kilitleme somununu 35-50 Nm/26-36 ft/lb torkla sıkın.

6. Kilit pimini çıkarın.

Misina kafayı takma

1. Kesme donanımı siperliğinin (A) ürüne takıldığından emin olun. Bkz. *Kesme donanımı siperliğinin montajı sayfa: 400.* (Şek. 31)

2. Çalıştırma diskinin (C) çıkış miline (D) takıldığından emin olun.
3. Mili kilitlemek için kilit pimini (B) deliğe yerleştirin.
4. Misina kafayı (E) çıkış milinin üzerine yerleştirin.
5. Misina kafayı sıkarak çıkış miline sabitlemek için kafayı saat yönünün tersine çevirin. (Şek. 32)
6. Kilit pimini çıkarın.

Kullanım

Giriş



UYARI: Ürünü kullanmadan önce güvenlik bölümünü okuyup anlamalısınız.

Yakıt

Bu üründe iki zamanlı motor bulunur.



DİKKAT: Yanlış tür yakıtın kullanımı motor hasarına neden olabilir. Benzin ve iki zamanlı motor yağı karışımı kullanın.

Hazır yakıt karışımı

- Motorun en iyi performansı göstermesi ve motor ömrünün uzaması için iyi kalite Husqvarna hazır alkiyat yakıt karışımı kullanın. Zararlı egzoz dumanını azaltan bu yakıt, normal yakıta kıyasla daha az zararlı kimyasal içerir. Bu yakıt yanma sonrası daha az kalıntı bıraktığından, motor bileşenlerini daha temiz tutar.

Yakıtın karıştırılması

Benzin



DİKKAT: Oktan numarası 90 RON (87 AKI) değerinin altında olan benzin kullanmayın. Bu, üründe hasara neden olabilir.



DİKKAT: %10'dan fazla etanol konsantrasyonu (E10) içeren benzin kullanmayın. Bu, üründe hasara neden olabilir.

- Her zaman minimum 90 RON (87 AKI) oktan numarasına sahip ve %10'dan az etanol konsantrasyonu (E10) içeren yeni kurşunsuz benzin kullanın.
- Ürünü sık sık ve sürekli olarak yüksek motor devrinde kullanıyorsanız daha yüksek oktan numarasına sahip benzin kullanın.

İki zamanlı yağ

- En iyi sonuçlar ve performans için Husqvarna iki zamanlı yağ kullanın.

- Husqvarna iki zamanlı yağ yoksa hava soğutmalı motorlar için iyi kalitede başka bir iki zamanlı yağ kullanın. Doğru yağı seçmek için servis bayinizle iletişime geçin.



DİKKAT: Su soğutmalı dış motorlar için olan ve dış yağ olarak da bilinen iki zamanlı yağı kullanmayın. Dört zamanlı motor yağlarını kullanmayın.

Benzinle iki zamanlı yağı karıştırma

Benzin, litre	İki zamanlı yağ, litre
	%2 (50:1)
5	0,10
10	0,20
15	0,30
20	0,40



DİKKAT: Az miktarda yakıt karıştırırken yapılan küçük bir hata, karışımın oranını büyük ölçüde etkileyebilir. Doğru karışımı elde ettiğinizden emin olmak için yağ miktarını dikkatli bir şekilde ölçün.

(Şek. 33)

1. Benzinin yarısını temiz bir yakıt kabına doldurun.
2. Yağ miktarının tümünü ekleyin.
3. Yakıt karışımını çalkalayın.
4. Kalan benzinini kaba ekleyin.
5. Yakıt karışımını dikkatlice çalkalayın.



DİKKAT: Tek seferde 1 aylıktan fazla yakıt karıştırmayın.

Yakıtın eklenmesi

- Her zaman sıçratma karşıtı valfi olan bir yakıt konteyneri kullanın.
- Konteynerde yakıt varsa istenmeyen yakıtı boşaltın ve konteynerin kurumasını bekleyin.

- Yakıt tankı kapağının etrafındaki bölgenin temiz olduğundan emin olun.
- Yakıt karışımını yakıt tankına eklemeyen önce yakıt konteynerini çalkalayın.

Motoru alıştırma

- İlk 10 saatlik çalışma süresi içinde uzun süreler boyunca yüksüz halde tam gaz uygulamayın.

Çalıştırma ve durdurma

Başlangıç öncesi kontrol

1. Üründe eksik, hasarlı, gevşek veya aşınmış parçalar olmadığından emin olun.
2. Somun, vida ve civataların sıkıldığından emin olun.
3. Bıçaklarda veya misina kafada hasar olmadığından emin olun.
4. Kilitleme somununun sıkıldığından emin olun. Bkz. *Kilitleme somununun kontrol edilmesi sayfa: 404.*
5. Hava filtresinin tıkalı olmadığından emin olun.
6. Üründeki güvenlik araçlarının hatalı olmadığından emin olun.
7. Üründe yakıt sızıntısı olmadığından emin olun.

Kuşam askılığın ayarlanması



UYARI: Ürün, kuşam askılığa mutlaka doğru bir şekilde takılmış olmalıdır. Arızalı kuşam askılık kullanmayın.

1. Taşıma askısını takınız.
2. Ürünü kuşam askılığa takın.
3. Kuşam askılığı en uygun çalışma konumuna ayarlayın.
4. Ürün ağırlığının omuzlarınıza eşit dağılması için yan kayışları ayarlayın. (Şek. 34)
5. Kuşam askılığı, kesme donanımı yere paralel olacak şekilde ayarlayın.
6. Kesme donanımını hafifçe yere değdirin. Ürünü düzgün bir şekilde dengelemek için kuşam askılık kelepçesini ayarlayın.

Not: Çim bıçağı kullanıyorsanız yerin yaklaşık 10 cm/4 inç üzerinde dengelenmelidir.

Soğuk motoru çalıştırma

1. Yakıt pompası diyaframı haznesine 10 kez basın. (Şek. 35)
2. Jikle kontrolünü yukarı doğru çekin. (Şek. 36)
3. Sol elinizle ürünün gövdesini zeminin üzerinde tutun. (Şek. 37) Ürünün üstüne basmayın. Biraz direnç hissedene kadar çalıştırma ipi kolunu yavaşça çekin. Daha sonra çalıştırma ipi tutacağını güçlü bir şekilde çekin.

Not: Motoru çalıştırırken gaz tetiğini çekmeyin.

4. Motor çalışana veya çalışmayı deneye kadar çalıştırma ipi tutacağını çekmeye devam edin (maksimum 3 kere çekin). Motor çalışırsa veya çalışmayı denerse jikle kontrolünü aşağı doğru itin. Motor çalışana kadar çekmeye devam edin. Motor çalıştıktan sonra gaz tetiğini çekmeden önce 60 saniye bekleyin.



DİKKAT: Motor durana kadar çalıştırma ipini çekmeyin. Tamamen çekilmiş durumdayken çalıştırma ipini bırakmayın. Çalıştırma ipini yavaşça serbest bırakın. Bu talimatlara uyulmaması motora zarar verebilir.

Sıcak motoru çalıştırma

1. Yakıt pompası diyaframı haznesine 10 kez basın.
2. Motor çalışana kadar çalıştırma ipini çekin.

Yakıt çok sıcak olduğunda motoru çalıştırmak için

Ürün çalışmazsa yakıt çok sıcak olabilir.

Not: Her zaman yeni yakıt kullanın ve sıcak havada çalışma süresini azaltın.

1. Ürünü doğrudan güneş ışığından uzakta serin bir yere koyun.
2. Ürünün en az 20 dakika soğumasını bekleyin.
3. Yakıt pompası diyaframı haznesine 10-15 saniye boyunca tekrar tekrar basın.
4. Soğuk motoru çalıştırma prosedürüne uyun. Bkz. *Soğuk motoru çalıştırma sayfa: 402.*

Motorun durdurulması

- Motoru durdurmak için durdurma anahtarına basın. (Şek. 21)

Not: Durdurma düğmesi, otomatik olarak ilk konumuna geri döner.

Çim budayıcının kullanılması



DİKKAT: Her kullanımdan sonra motoru yavaşlatacak rölantri devrine aldığınızdan emin olun. Motor üzerinde yük olmadan uzun süre tam gazda çalıştırmak motora zarar verebilir.

Not: Titreşimleri önlemek için yeni bir misina taktığınızda misina kafanın kapağını temizleyin. Misina kafanın diğer parçalarını kontrol edin ve gerekiyorsa temizleyin.

Çim düzeltme

1. Misina kafayı zemin yüzeyinin hemen üstünde bir açı ile tutun. Misinayı çime bastırmayın. (Şek. 38)

2. Misina uzunluğunu 10-12 cm/4-4,75 inç kısaltın.
3. Bitkilere zarar verme riskini azaltmak için motor devrini düşürün.
4. Nesnelere yakınında çim keserken %80 oranında gaz kullanın. (Şek. 39)

Çim kesme

1. Çimi keserken çim budayıcı misinasının zemine paralel olduğundan emin olun. (Şek. 40)
2. Misina kafayı zemine bastırmayın. Bu, üründe hasara neden olabilir
3. Çimi keserken ürünü yanlamasına hareket ettirin. Tam gaz kullanın. (Şek. 41)

Çim bıçağı ile çim temizleme

1. Çim bıçakları ve çim kesiciler odunsu köklerde kullanılmamalıdır.
2. Çim bıçağı her türlü yüksek ve kalın çimler için kullanılır.
3. Çim, yanlara doğru bir sallama hareketiyle kesilir; sağdan sola yapılan hareket temizleme darbesi, soldan sağa yapılan hareket ise geri dönüş darbesidir. Kesme işlemini bıçağın sol kenarının (saat 8 ve 12 yönleri arasında) yapmasını sağlayın.
4. Çim temizleme sırasında bıçak sola doğru açılırdıysa çim bir hat üzerinde birikir ve örneğin tırmıkla toplamak daha kolay olur.
5. Ritmik bir şekilde çalışın. Ayaklarınızı ayırarak yere sağlam basın. Geri dönüş darbesinden sonra ileri gidin ve tekrar sağlam bir şekilde durun.

6. Destek manşetini hafifçe yere bırakın. Bıçağın yere çarpmasını önlemek için kullanılır.
7. Her zaman tam gazda çalışarak ve geri dönüş darbesi sırasında önceden kesilen malzemeye dokunmayarak nesnelere bıçağa dolanması riskini azaltabilirsiniz.
8. Motoru durdurun, kuşam askılığı çıkarın ve kesilen malzemesi toplamaya başlamadan önce makineyi yere bırakın.

Misina kafa

- Titreşimi azaltmak için misinayı tamburun etrafına sıkıca ve eşit şekilde sardığınızdan emin olun.
- Yalnızca onaylı misina kafa ve misina kullanın. Bkz. *Aksesuarlar sayfa: 407*.
- Uygun uzunlukta misina kullanın. Uzun misinalar, kısa misinalardan daha fazla motor gücü tüketir.
- Kesme donanımı siperliği üzerindeki testerenin hasarlı olmadığından emin olun.
- Misinayı ürüne takmadan önce 2 gün boyunca suda bekletin. Bu, misinanın kullanım ömrünü uzatır.

Misinanın değiştirilmesi

- (Şek. 42)
(Şek. 43)
(Şek. 44)
(Şek. 45)
(Şek. 46)
(Şek. 47)
(Şek. 48)
(Şek. 49)

Bakım

Giriş



UYARI: Bakım yapmadan önce güvenlik bölümünü okuyup anlamanız gerekir.

Ürüne uygulanacak tüm servis ve onarım işlemleri için özel eğitim gereklidir. Profesyonel onarım ve servis hizmetlerinin mevcut bulunduğunu garanti etmekteyiz. Yetkili satıcınız servis noktası değilse kendisiyle görüşüp en yakınınızdaki servis noktası hakkında bilgi edinin.

Bakım takvimi

Haftalık bakım

- Dış yüzeyleri temizleyin.
- Rölantideyken kesme donanımının hareket etmediğinden emin olun. Bkz. *Rölantinin ayarlanması sayfa: 403*.
- Ayna dişlideki gres seviyesini inceleyin. Bkz. *Ayna dişliye gres eklenmesi sayfa: 404*.
- Kilitleme somununu kontrol edin. Bkz. *Kilitleme somununun kontrol edilmesi sayfa: 404*.

Aylık bakım

- Çalıştırma ipi kolunun ve çalıştırma ipinin zarar görmediğinden emin olun.

Yıllık bakım

- Bujiyi kontrol edin. Bkz. *Bujinin kontrol edilmesi sayfa: 404*.
- Karbüratörün dış yüzeylerini ve yanındaki alanları temizleyin.
- Soğutma sistemini temizleyin.
- Kıvılcım önleyici siperliği kontrol edin. Bkz. *Kıvılcım önleyici siperliğin bakımı sayfa: 404*.
- Yakıt filtresini kontrol edin.
- Yakıt hortumunun zarar görmemiş olduğundan emin olun.
- Üründeki kabloların ve bağlantıların zarar görmediğinden emin olun.

Rölantinin ayarlanması

- Rölantiyi ayarlamadan önce hava filtresinin temiz ve hava filtresi kapağının takılı olduğundan emin olun.
- "T" işaretiyle belirtilmiş rölanti T ayar vidası ile rölantiyi ayarlayın.

- Motorun her konumda sorunsuz çalışması rölantinin doğru ayarlandığı anlamına gelir. Kesme donanımı dönmeye başladığında rölanti, devirden düşük olmalıdır.

1. Kesme donanımı dönmeye başlayana kadar rölanti ayar vidasını saat yönünde döndürün. (Şek. 50)
2. Kesme donanımı durana kadar rölanti ayar vidasını saat yönünün tersine döndürün.

Kıvılcım önleyici siperliğin bakımı

Kıvılcım önleyici siperliği temizlemek için bir tel fırça kullanın. (Şek. 51)

Soğutma sistemini temizleme

Soğutma sisteminin parçalarını bir fırçayla temizleyin. (Şek. 52)

Bujinin kontrol edilmesi



DİKKAT: Önerilen bujiyi kullanın. Yedek parçanın üretici tarafından sağlanan parçayla aynı olduğundan emin olun. Yanlış buji, ürüne zarar verebilir.

1. Bujiyi;
 - a) motor gücü düşükse,
 - b) motor kolay başlatılmıyorsa,
 - c) motor, rölantide düzgün çalışmıyorsa kontrol edin.
2. Motoru çalıştırmak veya kullanmak kolay değilse bujiye istenmeyen nesnelere olup olmadığını kontrol edin. Buji elektrotlarında istenmeyen nesne riskini azaltmak için:
 - a) Rölanti hızının doğru ayarlandığından emin olun.
 - b) Yakıt karışımının doğru ayarlanmış olduğundan emin olun.
 - c) Hava filtresinin temiz olduğundan emin olun.
3. Buji kirliyse bujiyi temizleyin. Elektrot boşluğunun doğru olduğundan emin olun. (Şek. 53)
4. Gerekirse bujiyi değiştirin.

Hava filtresinin bakımı

Hava filtresinin temizlenmesi

1. Hava filtresi kapağını ve hava filtresini çıkarın. (Şek. 54)
2. Hava filtresini ılık, sabunlu suyla temizleyin. Takmadan önce hava filtresinin kuru olduğundan emin olun.
3. Tamamen temizlenmeyecek kadar kirlenmişse hava filtresini değiştirin. Hasar görmüş hava filtrelerini daima değiştirin.

4. Ürününüzde köpük hava filtresi varsa hava filtresi yağ uygulayın. Hava filtresi yağını yalnızca köpük filtreye uygulayın. Keçe filtreye yağ uygulamayın.

Hava filtresine hava filtresi yağının uygulanması



DİKKAT: Köpük hava filtrelerini yağlamak için daima özel hava filtresi yağı kullanın. Diğer yağ türlerini kullanmayın.



UYARI: Vücudunuza yağ bulaştırmayın.

1. Hava filtresi kapağını ve hava filtresini çıkarın. (Şek. 55)
2. Hava filtresini plastik bir torbaya koyun.
3. Hava filtresi yağını plastik torbaya koyun. (Şek. 56)
4. Yağın, hava filtresinin her yerine eşit olarak yayıldığından emin olmak için plastik torbayı bastırın.
5. Fazla hava filtresi yağını boşaltmak için torbanın içindeyken hava filtresini sıkın. Hava filtresini torbadan çıkarın.
6. Hava filtresini ürüne takın.

Ayna dişliye gres eklenmesi

Ayna dişlinin 3/4 kadarının ayna dişli gresi ile dolu olduğundan emin olun.

(Şek. 57)

Kilitleme somununun kontrol edilmesi



DİKKAT: Her 10 kullanımdan sonra kilitleme somununu değiştirin.

1. Kilitleme somununu sıkılamak için saat yönünün tersine çevirin. Kilitleme somununu çıkarmak için saat yönünde çevirin. (Şek. 58)
2. Kilitleme somununun naylon parçasını ellerinizle çeviremediğinizden emin olun. Naylon parça, minimum 1,5 Nm / 1,1 ft/lb direnç sağlamalıdır.
3. Direnç, minimum değerinin altındaysa kilitleme somununu 35-50 Nm / 26-36 ft/lb torkla sıkın.



DİKKAT: Kilitleme somununu çok fazla sıkarsanız dişler zarar görebilir.

Çim bıçağının bileylenmesi



UYARI: Motoru durdurun. Koruyucu eldivenler kullanın.

- Çim bıçağını doğru bilelemek için kesme donanımıyla verilen talimatlara başvurun.
- Dengeyi korumak için tüm kenarları eşit olarak bileyleyin.
- Tek kesikli düz eğe kullanın. (Şek. 59)



UYARI: Hasarlı bıçakları daima atın. Eğilmiş veya bükülmüş bir bıçağı düzeltip tekrar kullanmaya çalışmayın.

Sorun giderme

Motorun çalışmaması

Kontrol edin	Olası neden	Prosedür
Durdurma anahtarı.	Durdurma anahtarı durdurma konumundadır.	Durdurma anahtarını çalıştırma konumuna getirin.
Marştaki dişli çark mandalları.	Marştaki dişli çark mandalları serbest hareket edemiyordur.	Çalıştırıcı kapağını çıkarın ve marştaki dişli çark mandalların çevresini temizleyin. Yetkili bir servis noktasından yardım alın.
Yakıt tankı.	Yanlış yakıt tipi.	Yakıt tankını boşaltın ve doğru yakıtla doldurun.
Buji.	Buji kirlili veya ıslaktır.	Bujinin kuru ve temiz olduğundan emin olun.
	Buji elektrot boşluğu yanlıştır.	Bujiyi temizleyin. Elektrot boşluğunun doğru olduğundan emin olun. Bujinin parazit gidericisi olduğundan emin olun. Doğru elektrot boşluğu için teknik bilgilere göz atın.
	Buji gevşektir.	Bujiyi sıkın.

Motor çalışıyor ancak tekrar duruyor

Kontrol edin	Olası neden	Prosedür
Yakıt tankı	Yanlış yakıt tipi.	Yakıt tankını boşaltın ve doğru yakıtı doldurun.
Hava filtresi	Hava filtresi tıkalıdır.	Hava filtresini temizleyin.

Taşıma, depolama ve atma

Taşıma ve saklama

- Taşımadan veya saklamadan önce ürünü soğumaya bırakın.
- Uzun süre için depoya kaldırmadan önce buji kapağını çıkarın.
- Ürünü taşıma sırasında takın. Oynamadığından emin olun.
- Taşıma ve saklama sırasında yakıt kaçağı, yakıt dumanı, kıvılcım veya alev alma riski olmadığından emin olun.
- Taşıma ve saklama sırasında taşıma siperliğini takın.
- Uzun süre için depoya kaldırmadan önce ürünü temizleyip bakımını yapın.

Teknik veriler

Teknik veriler

	325R A05328CBHV
Motor	
Silindir hacmi, cm ³	27,6
Rölanti, dev/dak	2800 - 3200
Önerilen maksimum devir, dev/dak	8000
ISO 8893'e göre Güç/Maks. motor çıkışı, dev/dak'da kW/hp	8000'de 0,9/1,2
Katalitik konvertör susturucusu	Evet
Çıkış milinin devri, dev/dak	7200
Ateşleme sistemi	
Buji	Husqvarna HQT-4
Elektrot boşluğu, mm	0,5
Yakıt sistemi	
Yakıt deposu kapasitesi, l/cm ³	0,343/343
Ürün boyutları	
Ağırlık, kg	5,5
Gürültü yayma⁷⁹	
Ses gücü seviyesi, ölçülen, çim bıçağı ile donatılmış, dB(A)	108
Ses gücü seviyesi, ölçülen, misina kafa ile donatılmış, dB(A)	110
Ses gücü seviyesi, garanti edilen (L _{WA}), çim bıçağı ile donatılmış, dB(A)	112
Ses gücü seviyesi, garanti edilen (L _{WA}), misina kafa ile donatılmış, dB(A)	114
Ses seviyeleri⁸⁰	
Operatör seviyesinde ses basıncı düzeyi, çim bıçağı ile donatılmış, dB(A)	96
Operatör seviyesinde ses basıncı düzeyi, misina kafa ile donatılmış, dB(A)	95
Titreşim seviyeleri⁸¹	
Eşdeğer titreşim düzeyi (ahv, eq), çim bıçağı ile donatılmış, sol tutacak, m/s ²	5.1

⁷⁹ Ses gücü (L_{WA}) türünden ortamda ölçülen gürültü yayma değeri, 2000/14/AT sayılı AT direktifine uygun olarak ölçülmüştür. Ürün için bildirilen ses gücü seviyesi, en yüksek ses gücü seviyesi çıkışı orijinal kesme ataşmanı ile ölçülmüştür. Garanti edilen ve ölçülen ses gücü arasındaki fark, garantili ses gücünün 2000/14/AT Sayılı Direktif doğrultusunda ölçüm sonucundaki dağılımı ve aynı modelden farklı ürünler arasındaki değişimleri de içermesidir.

⁸⁰ Ürünün eşdeğer ses basıncı seviyesi için bildirilen verilerdeki tipik istatistik dağılım (standart sapma) 1 dB (A) şeklindedir.

⁸¹ Eş değer titreşim seviyesi için bildirilen verilerin tipik istatistik dağılımı (standart sapması) 1 m/s² şeklindedir.

	325R A05328CBHV
Eşdeğer titreşim düzeyi (ahv, eq), çim bıçağı ile donatılmış, sağ tutacak, m/s ²	5,7
Eşdeğer titreşim düzeyi (ahv, eq), misina kafa ile donatılmış, sol tutacak, m/s ²	4,1
Eşdeğer titreşim düzeyi (ahv, eq), misina kafa ile donatılmış, sağ tutacak, m/s ²	4,9

Aksesuarlar

Aksesuarlar

Onaylı aksesuarlar	Tip	Kesme donanımı koruyucusu
Yivli şaft	M10L	
Misina kafa	T35, 2,4 mm	588 11 79-01
Çim bıçağı	Çim 255-4, Ø 250	588 11 79-01

AT Uyumluluk Bildirimi

AB uyumluluk bildiriminin içeriđi

Husqvarna AB, SE 561 82 Huskvarna, İSVEÇ olarak, sunulan ürünün tek sorumlusu olma vasfıyla ařađıdaki beyanlarda bulunmaktayız:

Açıklama	Benzinli Çim Budayıcı / Çalı Tırpanı
Marka	Husqvarna
Platform / Tür / Model	325R modelini temsil eden A05328CBHV platformu.
Parti	2018 ve daha ileri tarihli seri numaraları.

ařađıdaki AB direktifleri ve düzenlemeleriyle tamamen uyumludur:

Direktif/Düzenleme	Açıklama
2006/42/AT	"makinelere ilgili"
2014/30/AB	"elektromanyetik uyumlulukla ilgili"
2000/14/AT	"açık alanda gürültüyle ilgili"
2011/65/AB	"belirli tehlikeli maddelerin kısıtlanmasıyla ilgili"

Uygulanan uyumlaştırılmış standartlar ve/veya teknik özellikler řu şekildedir: EN ISO 12100, EN ISO 11806-1, CISPR 12, ISO 14982, EN 50581:2012.

2000/14/AT direktifi Ek V uyarınca beyan edilen ses deđerleri, bu kılavuzun teknik veriler kısmında ve imzalı AT Uyumluluk Bildirimi'nde belirtilmiştir.

TÜV Rheinland N.A., Husqvarna AB adına, makinelerle ilgili 2006/42/AT sayılı AT Konsey direktifi Uygunluk belgesi uyarınca gönüllü bir inceleme gerçekleřtirmiştir.

İmzalı AT Uyumluluk Bildirimi'nde sađlandıđı haliyle sertifika, tüm üretim yerleri ve Menş Ülkelere için üründe belirtildiđi şekilde geçerlidir.

Verilen benzinli çim budayıcı/çalı tırpanı incelemeyen geçmiş örnekle uyumludur.

Зміст

Вступ.....	409	Усунення несправностей.....	420
Безпека.....	410	Транспортування, зберігання й утилізація.....	421
Збирання.....	415	Технічні характеристики.....	421
Експлуатація.....	416	Аксесуари.....	423
ТЕХНІЧНЕ ОБСЛУГОВУВАННЯ.....	418	Декларація відповідності ЄС.....	424

Вступ

Посібник користувача

Оригінальна мова посібника користувача – англійська. Посібники користувача іншими мовами є перекладами англійського оригіналу.

Призначення

Для зрізання різних типів рослинності використовуйте виріб із насадками на кшталт ножа для трави або головки тримера.

Огляд виробу

(Мал. 1)

1. Головка тримера
2. Кришка мастильного фільтра
3. Зубчаста передача
4. Захисний кожух ріжучої насадки
5. Штанга
6. Вимикач
7. Курок газу
8. Елемент блокування курка газу
9. Рукоятка
10. Кріплення ременя
11. Корпус стартера
12. Ковпак свічки запалювання, свічка запалювання
13. Рукоятка стартера
14. Паливний бак
15. Кришка повітряного фільтра
16. Кнопка продувки повітря
17. Керування заслінкою.
18. Регулювання рукоятки
19. Тросик газу
20. Кнопка холостого ходу за високих обертів
21. Пасова підвіска
22. Комбінований гайковий ключ
23. Посібник користувача
24. Чохол для транспортування
25. Лезо
26. Опорна манжета
27. Опорний фланець
28. Стопорна гайка

Зверніть увагу: Норми внутрішнього законодавства можуть накладати обмеження на використання цього виробу.

29. Приводний диск
30. Стопорний штифт
31. Шестигранний ключ

Символи на виробі

- (Мал. 2) **ПОПЕРЕДЖЕННЯ!** Цей виріб може бути небезпечним. Необережне або неправильне використання виробу може призвести до травм або смерті оператора чи сторонніх осіб. Щоб уникнути травмування оператора чи сторонніх осіб, уважно прочитайте всі правила техніки безпеки, наведені в цьому посібнику користувача, і дотримуйтеся них.
- (Мал. 3) Перед користуванням виробом уважно прочитайте посібник користувача та переконайтеся, що ви зрозуміли всі вказівки.
- (Мал. 4) На ділянках, де існує ризик падіння предметів, завжди надягайте захисний шолом. Користуйтеся відповідними захисними навушниками. Користуйтеся відповідними засобами захисту очей.
- (Мал. 5) Використовуйте відповідні захисні рукавиці.
- (Мал. 6) Використовуйте надміцні чоботи із захистом від ковзання.

- (Мал. 7) Стрілками позначені обмеження для встановлення рукоятки.
- (Мал. 8) 3-під виробу можуть викидатися предмети, що може призвести до травм.
- (Мал. 9) Максимальна частота обертання вихідного вала.
- (Мал. 10) Під час експлуатації виробу дистанція між вами й сторонніми особами чи тваринами повинна становити щонайменше 15 м.
- (Мал. 11) Ризик віддачі ножа у випадку, якщо різальне обладнання натрапить на предмет, який не зможе миттєво зрізати. Виріб здатний відтяти частини тіла. Під час експлуатації виробу дистанція між вами й сторонніми особами чи тваринами повинна становити щонайменше 15 м.
- (Мал. 12) Кнопка продувки повітря.
- (Мал. 13) Заслінка.
- (Мал. 14) Не працюйте поблизу гарячих поверхонь.
- (Мал. 15) Рівень випромінювання шуму в навколишнє середовище відповідає Директиві ЄС. Рівень випромінювання шуму виробу вказано в розділі «Технічні дані» й на паспортній таблиці.
- (Мал. 16) Виріб відповідає належним вимогам директив ЄС.
- (Мал. 17) Виріб відповідає належним вимогам директив ЕАС.

Серійний номер вказаний на таблиці з паспортні ми даними. Число уууу означає рік виробництва, **ww** – тиждень, а **xxxxx** – серійний номер.

ууууwwxxxx

Зверніть увагу: Інші позначення на виробі відповідають вимогам спеціальних сертифікатів для інших торгових зон.

Відповідальність за якість продукції

Відповідно до законів про відповідальність за якість продукції ми не несемо відповідальності за будь-які пошкодження, спричинені роботою наших виробів, якщо:

- виріб був неправильно відремонтований;
- виріб був відремонтований із використанням деталей, виготовлених не виробником або не затверджених ним;
- виріб обладнаний аксесуаром, виготовленим не виробником або не затвердженим ним;
- виріб був відремонтований у неавторизованому сервісному центрі або неавторизованою компанією;

ЄС V



ПОПЕРЕДЖЕННЯ: Внесення змін у двигун позбавляє чинності сертифікацію ЄС для цього виробу.

Безпека

Визначення щодо безпеки

Попередження, застереження й примітки служать для наголошення на особливо важливих положеннях посібника.



ПОПЕРЕДЖЕННЯ: Вказує на те, що в разі порушення інструкцій, наведених у цьому посібнику, існує небезпека поранення або смерті оператора чи інших осіб, що знаходяться поруч.



УВАГА: Вказує на те, що в разі порушення інструкцій, наведених у цьому посібнику, існує небезпека пошкодження виробу, інших матеріалів або навколишніх об'єктів.

Зверніть увагу: Використовується для надання додаткової інформації щодо певної ситуації.

Противібраційна безпека

Цей виріб призначено для періодичного використання. Тривала або регулярна робота з виробом може призвести до синдрому білих пальців або інших хвороб через вібрацію. У разі тривалої або регулярної експлуатації виробу перевіряйте стан своїх рук та пальців. Якщо колір ваших рук або пальців змінився, ви відчуваєте в них біль, поколювання або оніміння, припиніть роботу та негайно зверніться до лікаря.

Загальні правила техніки безпеки



ПОПЕРЕДЖЕННЯ: Перш ніж розпочати використання виробу, уважно прочитайте наведені нижче попередження.

- Використовуйте виріб правильно. Неправильне використання може призвести до травм або смерті. Використовуйте виріб лише для завдань, перелічених у цьому посібнику. Забороняється використовувати продукт для інших завдань.
- Дотримуйтеся інструкцій, наведених у цьому посібнику. Дотримуйтеся інструкцій, зазначених на попереджувальних знаках та в правилах техніки безпеки. Недотримання оператором інструкцій, зазначених на попереджувальних знаках та в правилах техніки безпеки, може призвести до травм, пошкоджень або смерті.
- Не викидайте цей посібник. Користуйтеся інструкціями для монтажу, експлуатації та підтримки виробу в задовільному стані. Користуйтеся інструкціями для правильного встановлення насадок та приладдя. Використовуйте лише сертифіковані насадки та приладдя.
- Не користуйтеся пошкодженим виробом. Дотримуйтеся графіка технічного обслуговування. Виконуйте лише те обслуговування, для якого наведені інструкції в цьому посібнику. Все інше обслуговування повинне виконуватися в авторизованому сервісному центрі.
- Цей посібник не включає всі ситуації, що можуть статися під час використання виробу. Будьте обережні та дотримуйтеся здорового глузду. Не експлуатуйте виріб і не виконуйте технічне обслуговування, якщо ви не можете розібратися в поточній ситуації. Більш детальну інформацію можна дізнатися в експерта з продукції, вашого дилера, центрі обслуговування або в авторизованому сервісному центрі.
- Перед монтажем, зберіганням або технічним обслуговуванням необхідно виймати свічку запалювання.
- Не використовуйте виріб у разі зміни його початкових технічних характеристик. Не замінюйте деталі виробу без дозволу виробника. Використовуйте лише деталі, схвалені виробником. Неправильне технічне обслуговування може призвести до травм або смерті.
- Не вдихайте вихлопні гази, що виходять з двигуна. Тривале вдихання вихлопних газів двигуна може бути небезпечним для здоров'я.
- Не вмикайте виріб у приміщенні чи біля легкозаймистих матеріалів. Вихлопні гази мають високу температуру та можуть містити іскри, від яких можливе загоряння. Недостатнє провітрювання може призвести до травм або смерті внаслідок задухи чи отруєння монооксидом вуглецю.
- Під час використання виробу двигун створює електромагнітне поле. Електромагнітне поле може пошкодити медичні імплантати. Перш ніж працювати з цим приладом, проконсультуйтеся з лікарем і виробником медичного імплантату.
- Не давайте використовувати прилад дітям. Не давайте використовувати прилад особам, що не ознайомилися з інструкціями.
- Завжди спостерігайте за особами з обмеженими фізичними чи розумовими можливостями, що використовують виріб. Біля виробу, що працює, повинна завжди знаходитися відповідальна доросла особа.
- Зачиняйте виріб у місці, куди не зможуть отримати доступ діти та особи, що не мають належної підготовки для використання виробу.
- З під виробу можуть викидатися предмети, що може призвести до травм. Для зменшення ризику травм або смерті дотримуйтеся правил техніки безпеки.
- Не відходьте далеко від працюючого виробу.
- Відповідальність за нещасний випадок несе оператор.
- Перед використанням виробу переконайтеся, що його деталі не мають пошкоджень.
- Перед використанням виробу переконайтеся в тому, що ви перебуваєте на відстані щонайменше 15 м (50 футів) від інших осіб або тварин. Переконайтеся в тому, що особи на прилеглий території знають, що ви збираєтеся використовувати виріб.
- Дотримуйтеся державного та місцевого законодавства. Норми законодавства можуть забороняти або обмежувати використання виробу в деяких умовах.
- Заборонено використовувати виріб, якщо ви втомлені чи перебуваєте під впливом наркотиків,

алкоголю або медикаментів. Ці речовини можуть вплинути на зір, реакцію, координацію рухів або спроможність робити зважені рішення.

Правила техніки безпеки під час монтажу



ПОПЕРЕДЖЕННЯ: Перш ніж розпочати використання виробу, уважно прочитайте наведені нижче попередження.

- Перед збиранням виробу необхідно зняти ковпак свічки запалювання зі свічки запалювання.
- Використовуйте відповідні захисні рукавиці.
- Перед запуском двигуна переконайтеся, що кришка й вал змонтовані правильно.
- Приводний диск і опорний фланець повинні входити в зачеплення в центральному отворі ріжучої насадки відповідним чином. Неправильне встановлення ріжучої насадки може призвести до серйозних травм або смерті оператора чи інших осіб.
- Для забезпечення безпечної експлуатації виробу та уникнення травмування оператора чи сторонніх осіб, виріб повинен бути завжди закріплений на пасовій підвісі.

Правила техніки безпеки під час використання



ПОПЕРЕДЖЕННЯ: Перш ніж розпочати використання виробу, уважно прочитайте наведені нижче попередження.

- Перед використанням переконайтеся, що виріб повністю змонтований.
- Перед запуском пересуньте виріб на 3 м від місця, де ви заправляли його паливом. Розташуйте виріб на рівній поверхні. При цьому ріжуча насадка не повинна торкатися землі або інших предметів.
- З-під виробу можуть викидатися предмети, що може призвести до пошкодження очей. Під час експлуатації виробу завжди користуйтеся відповідними засобами захисту очей.
- Будьте обережні, адже під час експлуатації виробу до вас може без дозволу підійти дитина.
- Не використовуйте виріб, якщо на робочій ділянці знаходяться люди. Зупиніть виріб у разі, якщо на робочу ділянку зайшла особа.
- Завжди контролюйте місце знаходження виробу.
- Не використовуйте виріб, якщо немає змоги отримати допомогу в разі нещасного випадку. Перед початком експлуатації виробу переконайтеся, що інші особи знають, що ви будете працювати з виробом.
- Не обертайтеся разом з виробом, доки не переконаєтеся, що люди або тварини знаходяться в безпечній зоні.

- Перед початком роботи приберіть всі непотрібні предмети з робочої ділянки. Якщо ріжуча насадка натрапить на якийсь предмет, він може відлетіти та призвести до травм або пошкоджень. Непотрібні предмети можуть намотатися на ріжучу насадку та призвести до пошкоджень.
- Не користуйтеся виробом у погану погоду (туман, дощ, сильний вітер, якщо є ризик виникнення блискавки або за інших несприятливих погодних умов). Через погану погоду можуть утворюватися небезпечні умови (наприклад, слизькі поверхні).
- Переконайтеся, що ви можете вільно переміщуватися та працювати, зберігаючи стабільне положення.

(Мал. 18)

- Переконайтеся, що під час використання виробу ви не впадете. Не нахиляйтеся під час експлуатації виробу.
- Завжди утримуйте виріб обома руками. Тримайте виріб праворуч.

(Мал. 19)

- Використовуйте виріб лише тоді, коли ріжуча насадка знаходиться нижче рівня вашої талії.
- Якщо в момент запуску двигуна керування заслінкою знаходиться в положенні заслінки, ріжуча насадка почне обертатися.
- Не торкайтеся кінчної зубчастої передачі після зупинки двигуна. Після зупинки двигуна кінчна зубчаста передача має високу температуру. Контакт із гарячими поверхнями може призвести до травм.
- Перед переміщенням виробу зупиняйте двигун.
- Не кладіть працюючий виріб на землю.
- Перед тим як прибрати непотрібні предмети з виробу, зупиніть двигун та дочекайтеся зупинки ріжучої насадки. Дочекайтеся зупинки різальної насадки перед тим як ви або ваш помічник почне прибрати зрізаний матеріал.

Засоби індивідуального захисту



ПОПЕРЕДЖЕННЯ: Перш ніж розпочати використання виробу, уважно прочитайте наведені нижче попередження.

- Під час експлуатації виробу завжди використовуйте відповідні засоби індивідуального захисту. Засоби індивідуального захисту не усувають повністю ризик отримання травм. Засоби індивідуального захисту знижують рівень пошкоджень у разі нещасного випадку.
- Під час експлуатації виробу завжди користуйтеся відповідними засобами захисту очей.
- Не використовуйте виріб, не надягнувши взуття або перебуваючи у відкритому взутті. Завжди використовуйте надмічні чоботи із захистом від ковзання.
- Використовуйте цупкі довгі штани.

- За необхідності використовуйте сертифіковані захисні рукавиці.
- У разі наявності ризику падіння предметів на голову, використовуйте шолом.
- Під час експлуатації виробу завжди користуйтеся відповідними засобами захисту органів слуху. Довготривалий вплив шуму може призвести до втрати слуху.
- Переконайтеся, що поряд є набір засобів для надання першої медичної допомоги.

Механізми безпеки на пристрої



ПОПЕРЕДЖЕННЯ: Перш ніж розпочати використання виробу, уважно прочитайте наведені нижче попередження.

- Не використовуйте виріб із пошкодженими захисними пристроями.
- Регулярно перевіряйте захисні пристрої. Див. *Огляд виробу на сторінці 409.*
- У випадку пошкодження запобіжних механізмів зверніться до сервісного дилера Husqvarna.

Блокування курка газу

Елемент блокування курка газу блокує курок газу.

(Мал. 20)

Натисніть на елемент блокування курка газу (А), щоб відпустити курок газу (В). Коли ви випускаєте з рук рукоятку, елемент блокування курка газу та курок газу повертаються до початкового положення.

1. Переконайтеся, що курок газу (В) зафіксований у положенні для холостої роботи, після чого можна відпустити елемент блокування курка газу (А).
2. Натисніть на елемент блокування курка газу (А) та переконайтеся, що він повертається до початкового положення, коли ви відпускаєте його.
3. Натисніть на курок газу (В) та переконайтеся, що він повертається до початкового положення, коли ви відпускаєте його.

Запустіть двигун та повністю натисніть важіль дроселя. Відпустіть курок газу та перевірте, чи зупинилася ріжуча насадка. Якщо важіль знаходиться в положенні для холостого ходу, а ріжуча насадка продовжує обертатися, перевірте гвинт регулювання холостого ходу карбюратора.

Вимикач

Запустіть двигун. Переконайтеся, що двигун вимикається, коли ви переводите вимикач у позицію зупинки.

(Мал. 21)

Захисний кожух ріжучої насадки

Кожух ріжучої насадки захищає від викидання предметів у напрямку оператора.

(Мал. 22)

Перевіряйте кожух ріжучої насадки на предмет пошкоджень та в разі необхідності замінійте його. Використовуйте лише сертифіковані кожухи для ріжучих насадок.

Глушник

- Не запускайте двигун з пошкодженим глушником. Пошкоджений глушник збільшує рівень шуму та підвищує небезпеку загоряння. Тримайте поруч вогнегасник.
- Регулярно перевіряйте кріплення глушника до виробу.
- Не торкайтеся двигуна або глушника під час роботи двигуна. Після зупинки двигуна почекайте деякий час перш ніж торкатися двигуна або глушника. Контакт із гарячими поверхнями може призвести до травм.
- Гарячий глушник може призвести до загоряння. Будьте обережні в разі використання виробу біля легкозаймистих рідин або газів.
- Не торкайтеся частин глушника в разі його пошкодження. Ці частини можуть містити канцерогенні хімічні речовини.

Стопорна гайка

Деякі деталі ріжучої насадки фіксуються за допомогою стопорних гайок.

(Мал. 23)

Затягувати стопорну гайку слід у напрямку, протилежному напрямку роботи ріжучої насадки.

Фіксатор пасової підвіски



ПОПЕРЕДЖЕННЯ: Не використовуйте пасову підвіску, якщо фіксатор не спрацьовує належним чином. Під час налаштування виробу переконайтеся, що фіксатор пасової підвіски спрацьовує належним чином.

Фіксатор пасової підвіски розташований на передній частині виробу. Ремені пасової підвіски завжди мають бути розташовані в правильному положенні.

(Мал. 24)

Фіксатор пасової підвіски надає можливість безпечно зняти виріб, якщо виникне непередбачувана ситуація.

Ріжуча насадка



ПОПЕРЕДЖЕННЯ: Перш ніж розпочати використання виробу, уважно прочитайте наведені нижче попередження.

- Проводьте регулярне технічне обслуговування. Регулярний огляд, регулювання або ремонт ріжучої насадки повинен проводитися авторизованим сервісним центром.

- Продуктивність ріжучої насадки збільшується.
- Строк служби ріжучої насадки збільшується.
- Небезпека виникнення нещасних випадків зменшується.
- Використовуйте лише сертифікований захисний кожух ріжучої насадки. Докладніше див. *Аксесуари на сторінці 423.*
- Не використовуйте пошкоджену ріжучу насадку.

Ножі та різці для трави

- Використовуйте лише відповідні ножі для трави. Не використовуйте ніж для трави, доки не буде належним чином встановлено всі необхідні деталі. Упевніться, що використовуються відповідні частини, а також що їх встановлено належним чином. Неправильне встановлення може призвести до від'єднання й відкидання леза та травмування оператора та інших осіб.
- Під час роботи з лезом або його обслуговування носіть захисні рукавиці.
- Під час роботи з виробом, оснащеним ножем для трави, користуйтеся відповідними засобами захисту голови.
- Ножі та різці для трави призначені для косіння густої трави.
- Ніж для трави може нанести тяжкі травми, коли продовжує обертатися після вимикання двигуна або відпускання курка газу. Перш ніж проводити технічне обслуговування, упевніться, що ніж для трави повністю зупинився.
- Зупиняйте двигун перед будь-якими операціями з ріжучою насадкою. Упевніться, що ріжуча насадка повністю зупинилась. Від'єднайте кабель від свічки запалювання.
- Використовуйте лише схвалену ріжучу насадку або правильно загострене лезо.
- Зубці ножа повинні бути правильно загострені. (Мал. 25)
- Не використовуйте пошкоджену ріжучу насадку.
- Перед транспортуванням або зберіганням виробу надягайте на ніж для трави чохол для транспортування.

Віддача ножа

- Віддача ножа – це несподіваний рух виробу вбік, вперед чи назад. Віддача виникає, коли ніж для трави чи полотно пилки натрапить на предмет, який неможливо зрізати. Ризик віддачі зростає під час роботи на ділянках, де об'єкт видно, що саме скошується.
- Віддача ножа може відштовхнути виріб чи оператора. Лезо, що обертається, може нанести травми сторонній особі.
- Якщо лезо зігнулося, тріснуло, зламалося чи ушкоджене будь-яким іншим чином, припиніть його використання.
- Використовуйте гостре лезо. Якщо лезо затупилося, ризик віддачі зростає.

Заходи безпеки під час роботи з паливом



ПОПЕРЕДЖЕННЯ: Перш ніж розпочати використання виробу, уважно прочитайте наведені нижче попередження.

- Не змішуйте паливо в приміщеннях або біля джерел тепла.
- Не запускайте виріб, якщо на ньому залишилося пальне або моторна олива. Приберіть непотрібне пальне/оливу та дайте виробу просохнути. Приберіть непотрібне пальне з виробу.
- Якщо ви пролили пальне на свій одяг, негайно переодягніться.
- Не допускайте потрапляння пального на тіло, адже це може призвести до травм. Для видалення пального, що потрапило на тіло, використовуйте мило та воду.
- Не запускайте двигун у разі потрапляння оливи або пального на виріб або тіло.
- Не запускайте виріб у разі наявності протікання у двигуні. Регулярно перевіряйте двигун на протікання.
- Будьте обережні при поводженні з паливом. Пальне є легкозаймистою речовиною, а його пари вибухонебезпечні та можуть призвести до травм або смерті.
- Не вдихайте вихлопні гази, це може призвести до травм. Забезпечте належне провітрювання.
- Не палять біля пального або двигуна.
- Не кладіть біля пального або двигуна теплі предмети.
- Не доливайте пальне в працюючий виріб.
- Перед заправленням переконайтеся, що двигун охолонув.
- Перед заправленням повільно відкрийте кришку паливного бака, обережно зменшивши тиск.
- Не заправляйте виріб у приміщенні. Недостатнє провітрювання може призвести до травм або смерті внаслідок задухи чи отруєння монооксидом вуглецю.
- Обережно затягуйте кришку паливного бака, адже існує ризик виникнення пожежі.
- Перед запуском пересуньте виріб на 3 м від місця, де ви заправляли його.
- Не заливайте в паливний бак занадто багато палива.
- Переконайтеся у відсутності ризику протікань під час переміщення виробу або ємності для пального.
- Не залишайте виріб або ємність для пального біля відкритого вогню, джерела іскор або запальника. Переконайтеся, що в зоні зберігання відсутні джерела відкритого вогню.
- Під час переміщення або зберігання палива користуйтеся лише сертифікованими ємностями.

- Спустошуйте паливний бак перед тривалим зберіганням. Дотримуйтеся місцевого законодавства щодо утилізації пального.
- Очищуйте виріб перед тривалим зберіганням.
- Щоб двигун випадково не запустився, перед зберіганням необхідно зняти кабель свічки запалювання.

Правила техніки безпеки під час обслуговування



ПОПЕРЕДЖЕННЯ: Перш ніж розпочати технічне обслуговування виробу, уважно прочитайте наведені нижче попередження.

- Виконуйте лише ті види технічного обслуговування, які описано в цьому посібнику

користувача. Усі інші операції з технічного обслуговування та ремонту мають виконуватися кваліфікованими спеціалістами з обслуговування.

- Дотримуйтеся вимог щодо перевірок безпеки, а також вказівок із догляду й обслуговування, наведених у цьому посібнику. Регулярне технічне обслуговування підвищує термін служби виробу та зменшує небезпеку виникнення нещасних випадків. Інструкції див. у розділі *Графік технічного обслуговування на сторінці 419*.
- Якщо після технічного обслуговування виріб не пройде перевірку, наведену в цьому посібнику користувача, зверніться до свого дилера з обслуговування. Ми гарантуємо можливість професійного ремонту й обслуговування вашого виробу.

Збирання

Вступ



ПОПЕРЕДЖЕННЯ: Перед монтажем виробу обов'язково прочитайте й усвідомте зміст розділу про заходи безпеки.



ПОПЕРЕДЖЕННЯ: Перед збиранням виробу необхідно від'єднати кабель від свічки запалювання.

Монтаж рукоятки

1. Вийміть гвинт, що знаходиться поза рукою газу. (Мал. 26)
2. Перемістіть ручку газу до правого боку рукоятки.
3. Зіставте гвинтовий отвір на ручці газу з отвором на рукоятці.
4. Просуньте гвинт крізь отвори. Затягніть гвинт.
5. Установіть рукоятку між стрілками на валу. Затягніть гвинт. (Мал. 27)

Установлення кріплення ремня

1. Установіть кріплення ремня на вал петлею догори. Помістіть кріплення ремня над стрілками на валу.
2. Вставте тросик газу в паз у нижній частині кріплення ремня.
3. Поверніть кріплення ремня таким чином, щоб співпадали гвинтові отвори.
4. Вставте два гвинти у гвинтові отвори.
5. Затягніть гвинти.

Монтаж ріжучої насадки

Монтаж захисного кожуха ріжучої насадки

1. Установіть захисний кожух ріжучої насадки (А) на вал. (Мал. 28)
2. Вставте кріпильну скобу (В) в паз на захисному кожусі ріжучої насадки.
3. Вставте болт (С) в отвір кріпильної скоби захисного кожуха ріжучої насадки.

Монтаж ножа для трави

1. Переконайтеся, що на пристрій установлено захисний кожух ріжучої насадки (А). Див. *Монтаж захисного кожуха ріжучої насадки на сторінці 415*. (Мал. 29)
2. Вставте стопорний штифт (В) у отвір, щоб зафіксувати вал.
3. Установіть ніж (Е), опорну манжету (F) і опорний фланець (G) на вихідний вал (D).
4. Переконайтеся, що приводний диск (С) входить у центральний отвір ножа відповідним чином. (Мал. 30)
5. Установіть стопорну гайку (Н) на вихідний вал. Тримайте ручку комбінованого гайкового ключа біля захисного кожуха ріжучої насадки. Повертайте комбінований гайковий ключ проти годинникової стрілки, щоб затягнути стопорну гайку. Затягніть стопорну гайку, застосовуючи момент 35–50 Н·м (26–36 футів/фунт).
6. Вийміть стопорний штифт.

Приєднання головки тримера

1. Переконайтеся, що на пристрій установлено захисний кожух ріжучої насадки (А). Див. *Монтаж*

захисного кожуха ріжучої насадки на сторінці 415. (Мал. 31)

2. Переконайтеся, що приводний диск (C) встановлено на вихідний вал (D).

3. Вставте стопорний штифт (B) у отвір, щоб зафіксувати вал.

4. Установіть головку тримера (E) на вихідний вал.

5. Повертайте головку тримера проти годинникової стрілки, щоб зафіксувати її на вихідному валу. (Мал. 32)

6. Вийміть стопорний штифт.

Експлуатація

Вступ



ПОПЕРЕДЖЕННЯ: Перед експлуатацією виробу обов'язково прочитайте й усвідомте зміст розділу про заходи безпеки.

Паливо

Цей виріб оснащений двотактним двигуном.



УВАГА: Заправлення паливом невідповідного типу може призвести до пошкодження двигуна. Використовуйте суміш бензину й масла для двотактних двигунів.

Попередньо змішане паливо

- Для найкращої продуктивності та подовження терміну служби двигуна використовуйте високоякісне попередньо змішане алкїлатне паливо Husqvarna. Це паливо містить менш шкідливі хімічні речовини порівняно зі звичайним. Завдяки цьому зменшується шкідливий вплив вихлопних димів. Кількість залишків після згоряння цього палива менша, завдяки чому компоненти двигуна залишаються більш чистими.

Змішування палива

Бензин



УВАГА: Не використовуйте бензин із октановим числом нижче 90 RON (87 AKI). Це може призвести до пошкодження виробу.



УВАГА: Не використовуйте бензин із концентрацією етанолу більше 10% (E10). Це може призвести до пошкодження виробу.

- Завжди використовуйте новий неетилований бензин з мінімальним октановим числом 90 RON (87 AKI) та концентрацією етанолу менше 10% (E10).
- У разі частого використання виробу з високою частотою обертання двигуна, необхідно

використовувати бензин з вищим октановим числом.

Масло для двотактних двигунів

- Для досягнення найкращих результатів і продуктивності використовуйте масло Husqvarna для двотактних двигунів.
- Якщо масла Husqvarna для двотактних двигунів немає, використовуйте інше високоякісне масло для двотактних двигунів із повітряним охолодженням. Щоб вибрати правильне масло, зверніться до свого дилера з обслуговування.



УВАГА: Не використовуйте оливу для двотактних двигунів із водяним охолодженням, яку також називають зовнішньою оливою. Не використовуйте масло для чотириохтатних двигунів.

Змішування бензину та оливи для двотактних двигунів

Бензин, л	Масло для двотактних двигунів, л
	2 % (50:1)
5	0,10
10	0,20
15	0,30
20	0,40



УВАГА: У разі змішування невеликої кількості палива навіть незначні неточності можуть значно вплинути на пропорцію суміші. Щоб отримати правильну суміш, точно вимірюйте кількість масла.

(Мал. 33)

- Влийте половину об'єму бензину в чистий резервуар для палива.
- Додайте всю оливу.
- Перемішайте паливну суміш.

4. Влийте решту бензину в резервуар.
5. Обережно перемішайте паливну суміш.



УВАГА: Не змішуйте за один раз палива більше, ніж необхідно на 1 місяць роботи.

Додавання палива

- Завжди використовуйте паливну ємність з антипропускним клапаном.
- Якщо на ємності знаходиться паливо, приберіть його та дайте ємності просохнути.
- Переконайтеся, що область навколо кришки паливного бака чиста.
- Перед додаванням паливної суміші в паливний бак збовтайте ємність з паливом.

Обкатування

- Протягом перших 10 годин роботи не давайте виробу тривалий час працювати за повністю відкритої дросельної заслінки без навантаження.

Запуск і зупинення роботи

Перевірка перед запуском

1. Перевірте виріб на предмет відсутніх, пошкоджених, погано закріплених або зношених деталей.
2. Переконайтеся, що всі гайки, гвинти та болти надійно затягнуті.
3. Переконайтеся, що ножі або головку тримера не пошкоджено.
4. Переконайтеся, що стопорну гайку затягнуто. Див. *Перевірка стопорної гайки на сторінці 420.*
5. Переконайтеся, що повітряний фільтр чистий.
6. Переконайтеся у справності захисних механізмів виробу.
7. Переконайтеся у відсутності витоків палива з пристрою.

Регулювання пасової підвіски



ПОПЕРЕДЖЕННЯ: Виріб має бути правильно приєднаним до пасової підвіски (кріплення). Не користуйтеся пошкодженим кріпленням.

1. Надягніть пасову підвіску.
2. Приєднайте виріб до пасової підвіски.
3. Якнайкраще припасуйте ремені для роботи.
4. Відрегулюйте бокові ремені, щоб маса виробу рівномірно розподілялася по плечах. (Мал. 34)
5. Відрегулюйте пасову підвіску таким чином, щоб ріжуча насадка була розташована паралельно землі.

6. Ріжуча насадка має легко торкатися землі. Відрегулюйте кріплення ременя таким чином, щоб виріб був правильно врівноважений.

Зверніть увагу: У разі використання ножа для трави він має бути врівноважений на рівні близько 10 см (4 дюйми) над землею.

Запуск холодного двигуна

1. Натисніть кнопку продувки повітрям 10 разів. (Мал. 35)
2. Потягніть важіль заслінки вгору. (Мал. 36)
3. Лівою рукою притисніть корпус виробу до землі. (Мал. 37) Не наступіть на виріб. Повільно потягніть за ручку троса стартера доки не відчуєте спротив. Після цього силою потягніть за ручку троса стартера.

Зверніть увагу: Не тягніть курок газу під час запуску двигуна.

4. Продовжуйте тягнути за ручку троса стартера доки двигун не запуститься або не намагатиметься запуститися (макс. 3 рази). Якщо двигун запускається або намагається запуститися, натисніть на важіль повітряної шторки вниз. Продовжуйте тягнути доки двигун не запуститься. Після запуску заждіть 60 секунд, після чого натискайте на курок газу.



УВАГА: Не тягніть трос стартера, доки виріб не зупиниться. Не відпускайте трос стартера, коли він повністю витягнутий. Відпускайте трос стартера повільно. Невиконання цих інструкцій може призвести до пошкодження двигуна.

Запуск теплового двигуна

1. Натисніть кнопку продувки повітрям 10 разів.
2. Потягніть трос стартера до тих пір, поки двигун не запрацює.

Запуск двигуна з надто гарячим паливом

Якщо двигун не запускається, паливо може бути надто гарячим.

Зверніть увагу: Завжди використовуйте нове паливо й зменшуйте тривалість роботи за теплої погоди.

1. Покладіть виріб у прохолодне місце, подалі від прямих сонячних променів.
2. Зачекайте принаймні 20 хвилин, доки виріб охолоне.
3. Натискайте кнопку продувки повітрям без зупинки протягом 10–15 секунд.
4. Виконайте процедуру запуску холодного двигуна. Див. *Запуск холодного двигуна на сторінці 417.*

Зупинення

- Для зупинки двигуна натисніть вимикач. (Мал. 21)

Зверніть увагу: Вимикач автоматично повертається до початкового положення.

Експлуатація тримера



УВАГА: Після кожного використання зменшуйте швидкість двигуна до холостого ходу. Тривала робота на повних оборотах без навантаження на двигун може призвести до пошкодження двигуна.

Зверніть увагу: У разі встановлення нової нитки необхідно очистити кришку голівки тримера, щоб уникнути подальших вібрацій. Огляньте інші деталі голівки тримера та за необхідності очистіть їх.

Підстригання трави

1. Тримайте головку тримера під кутом безпосередньо над землею. Не вдавлийте нитку тримера в траву. (Мал. 38)
2. Зменште довжину нитки тримера на 10–12 см / 4–4,75 дюйма.
3. Зменште частоту обертання двигуна, щоб зменшити ризик пошкодження рослин.
4. Під час зрізання трави поблизу предметів використовуйте 80 % потужності. (Мал. 39)

Зрізання трави

1. Під час зрізання трави нитка тримера має бути паралельна землі. (Мал. 40)
2. Не вдавлийте голівку тримера в землю. Це може призвести до пошкодження виробу.
3. Під час зрізання трави переміщуйте виріб зі сторони в сторону. Повністю натисніть курок газу. (Мал. 41)

Скошування за допомогою ножа для трави

1. Ножми та різцями для трави не можна зрізувати стовбури дерев.
2. Ніж для трави використовується для косіння всіх видів високої та грубої трави.

3. Траву косять маятниковими рухами з боку в бік – рух справа наліво буде робочим, а зліва направо – зворотним. Ніж повинен косити траву лівим краєм (що на циферблаті годинника відповідає проміжку між 8 та 12 годинною).
4. Якщо скошуючи траву нахилити ніж трохи вліво, то трава буде складатися в один ряд, що полегшить її збирання, наприклад граблями.
5. Намагайтеся працювати ритмічно. Стійте впевнено, розставивши ноги. Після зворотного руху пройдіть вперед і знову займіть стійке положення.
6. Опорна манжета повинна злегка прилягти на землю. Вона запобігає удару леза об землю.
7. Щоб знизити ризик намотування матеріалу на лезо, завжди працюйте на повній потужності та не торкайтеся лезом скошеної трави під час зворотного руху.
8. Перед тим як почати збирати зрізану траву, вимкніть двигун, зніміть ремені та покладіть інструмент на землю.

Головка тримера

- Для зменшення вібрації переконайтеся, що нитка тримера намотана на барабан щільно та рівномірно.
- Використовуйте лише сертифіковані головки та нитки косарки. Див. *Аксесуари на сторінці 423*.
- Слідкуйте за правильною довжиною нитки косарки. Для роботи з великою довжиною нитки використовується більше потужності двигуна, ніж з малою.
- Переконайтеся, що ніж на кожусі ріжучої насадки не пошкоджений.
- Перед встановленням нитки на виріб, необхідно вимочити її у воді протягом двох днів. Це збільшить строк служби нитки.

Заміна нитки тримера

- (Мал. 42)
- (Мал. 43)
- (Мал. 44)
- (Мал. 45)
- (Мал. 46)
- (Мал. 47)
- (Мал. 48)
- (Мал. 49)

ТЕХНІЧНЕ ОБСЛУГОВУВАННЯ

Вступ



ПОПЕРЕДЖЕННЯ: Перед виконанням робіт із технічного обслуговування обов'язково прочитайте й усвідомте зміст розділу про заходи безпеки.

Для всіх робіт з обслуговування та ремонту необхідна спеціальна підготовка. Ми гарантуємо доступність послуг із професійного ремонту та обслуговування. Якщо ваш дилер не є одночасно центром обслуговування, зверніться до нього по інформацію щодо найближчого центру обслуговування.

Графік технічного обслуговування

Щотижневе технічне обслуговування

- Очищення зовнішніх поверхонь.
- Переконайтеся, що ріжуча насадка не рухається на холостому ходу. Див. *Налаштування швидкості холостого ходу на сторінці 419.*
- Перевірте рівень мастила в конічній зубчастій передачі. Див. *Змащування конічної зубчастої передачі на сторінці 420.*
- Перевірка стопорної гайки. Див. *Перевірка стопорної гайки на сторінці 420.*

Щомісячне технічне обслуговування

- Переконайтеся, що ручка троса стартера та трос стартера не пошкоджені.

Щорічне обслуговування

- Перевірка свічки запалювання. Див. *Перевірка свічки запалювання на сторінці 419.*
- Очищення зовнішніх поверхонь карбюратора та прилеглих до нього ділянок.
- Очищення системи охолодження.
- Перевірка іскрогасника. Див. *Технічне обслуговування іскрогасника на сторінці 419.*
- Перевірка паливного фільтра.
- Перевірте шланг подачі пального на наявність пошкоджень.
- Перевірте кабелі та з'єднання виробу на наявність пошкоджень.

Налаштування швидкості холостого ходу

- Перед налаштуванням швидкості холостого ходу переконайтеся, що повітряний фільтр чистий, а кришка повітряного фільтра встановлена.
- Налаштуйте швидкість холостого ходу за допомогою регульовального гвинта Т, який позначений літерою «Т».
- Швидкість холостого ходу відрегульована правильно, якщо двигун працює рівномірно в будь-якому положенні. Швидкість холостого ходу повинна бути нижчою від швидкості, на якій починає обертатися насадка.

1. Повертайте гвинт регулювання холостого ходу за годинниковою стрілкою, поки ріжуча насадка не почне обертатися. (Мал. 50)
2. Повертайте гвинт регулювання холостого ходу проти годинникової стрілки, поки ріжуча насадка не зупиниться.

Технічне обслуговування іскрогасника

Для очищення іскрогасника використовуйте дротяну щітку.
(Мал. 51)

Очищення системи охолодження

Очищуйте елементи системи охолодження за допомогою щітки.

(Мал. 52)

Перевірка свічки запалювання



УВАГА: Використовуйте лише рекомендовані свічки запалювання. Переконайтеся, що заміна буде відбуватися на такі ж самі деталі, що були поставлені виробником. Неправильна свічка запалювання може призвести до пошкодження виробу.

1. Перевіряйте свічку запалювання коли:
 - a) потужність двигуна низька.
 - b) двигун важко завести.
 - c) двигун працює неправильно на холостому ходу.
2. Якщо двигун важко запускається або працює, перевірте свічку запалювання на наявність зайвих предметів. Щоб зменшити ризик потрапляння зайвих предметів на електроди свічки запалювання:
 - a) переконайтеся, що швидкість холостого ходу встановлено правильно.
 - b) переконайтеся в правильності змішування паливної суміші.
 - c) переконайтеся, що повітряний фільтр чистий.
3. Якщо свічка запалювання забруднена, почистьте її. Перевірте правильність проміжку між електродами. (Мал. 53)
4. За необхідності замініть свічку запалювання.

Технічне обслуговування повітряного фільтра

Очищення повітряного фільтра

1. Зніміть кришку повітряного фільтра та витягніть повітряний фільтр. (Мал. 54)
2. Чистити повітряний фільтр потрібно теплою мильною водою. Перед встановленням переконайтеся, що повітряний фільтр сухий.
3. Якщо повітряний фільтр занадто брудний для очищення, замініть його. Пошкоджений повітряний фільтр необхідно замінювати обов'язково.
4. Якщо ваш виріб оснащений губчастим повітряним фільтром, використовуйте оливу для повітряних фільтрів. Оливу для повітряних фільтрів слід наносити лише на губчасті фільтри. Забороняється наносити оливу на фетровий фільтр.

Нанесення оливи для повітряних фільтрів на фільтр



УВАГА: Для обслуговування губчастих фільтрів використовуйте лише спеціальну оливу для повітряних фільтрів. Не використовуйте інші типи оливи.



ПОПЕРЕДЖЕННЯ: Уникайте потрапляння оливи на тіло.

1. Зніміть кришку повітряного фільтра та витягніть повітряний фільтр. (Мал. 55)
2. Покладіть повітряний фільтр у пластиковий пакет.
3. Налийте в пластиковий пакет оливу для повітряних фільтрів. (Мал. 56)
4. Натисніть на пластиковий пакет щоб переконатися, що олива рівно розповсюдиться по всьому повітряному фільтру.
5. Поки фільтр знаходиться в пакеті, натисніть на нього щоб з нього вийшла непотрібна олива. Вийміть повітряний фільтр з пакета.
6. Установіть повітряний фільтр.

Змащування конічної зубчастої передачі

Конічна зубчаста передача має бути заповнена мастилом для зубчастих передач на три чверті.

(Мал. 57)

Перевірка стопорної гайки



УВАГА: Стопорну гайку слід замінити після 10 використань.

1. Щоб затягнути стопорну гайку, повертайте її проти годинникової стрілки. Щоб відкрити стопорну гайку, повертайте її за годинниковою стрілкою. (Мал. 58)
2. Переконайтеся, що нейлонову муфту стопорної гайки неможливо повернути руками. Нейлонова муфта має забезпечувати опір обертанню не менше 1,5 Н•м (1,1 фута/фунт).
3. Якщо опір обертанню є меншим за мінімальне значення, затягніть стопорну гайку до досягнення моменту 35–50 Н•м (26–36 футів/фунт).



УВАГА: Надмірне затягування стопорної гайки може пошкодити різьбу.

Загострення ножа й леза для трави



ПОПЕРЕДЖЕННЯ: Зупиніть двигун. Використовуйте захисні рукавички.

- Для правильного загострення ножа чи леза для трави ознайомтеся з інструкціями, що йдуть у комплекті з ріжучою насадкою.
- Для підтримки рівноваги всі кромки необхідно загострювати однаково.
- Використовуйте плаский напилек з одностороннім візерунком. (Мал. 59)



ПОПЕРЕДЖЕННЯ: У разі пошкодження ножі необхідно утилізувати. Не намагайтеся вирівняти ножі й використовувати їх далі.

Усунення несправностей

Двигун не запускається

Перевірка	Можлива причина	Процес
Вимикач.	Вимикач перебуває в положенні STOP (Стоп).	Установіть вимикач у положення запуску.
Собачки стартера.	Собачки стартера не можуть вільно рухатися.	Зніміть кришку стартера й очистьте місце навколо собачок стартера. Зверніться по допомогу до уповноваженого центру обслуговування.
Паливний бак.	Неправильний тип палива.	Спорожніть паливний бак і залийте в нього правильний тип палива.

Перевірка	Можлива причина	Процес
Свічка запалювання.	Свічка запалювання брудна або волога.	Переконайтеся, що свічка запалювання суха та чиста.
	Неправильний проміжок між електродами свічки запалювання.	Чищення свічки запалювання. Переконайтеся, що проміжок між електродами правильний. Переконайтеся, що свічка запалювання має обмежувач напруги.
		Інформація про коректний проміжок між електродами подається у розділі технічних даних.
	Свічка запалювання відкрутилася.	Закрутіть свічку запалювання.

Двигун запускається, але вимикається

Перевірка	Можлива причина	Процес
Паливний бак	Неправильний тип палива.	Спорожніть паливний бак і залийте в нього правильний тип палива.
Повітряний фільтр	Засмічено повітряний фільтр.	Почистіть повітряний фільтр.

Транспортування, зберігання й утилізація

Транспортування та зберігання

- Перед транспортуванням чи зберіганням необхідно дати виробу охолонути.
- Перед тривалим зберіганням необхідно зняти ковпак зі свічки запалювання.
- Під час транспортування закріплюйте виріб. Переконайтеся, що виріб не рухатиметься під час транспортування.
- Переконайтеся, що ризик виникнення витоків палива, випарювань, іскор або вогню під час транспортування й зберігання відсутній.
- Під час транспортування й зберігання необхідно встановлювати чохол для транспортування.
- Перед тривалим зберіганням виріб необхідно промити й провести технічне обслуговування.

Технічні характеристики

Технічні характеристики

	325R A05328CBHV
Двигун	
Об'єм циліндра, см ³	27,6
Холостий хід, об/хв	2800-3200
Рекомендована максимальна частота обертання, об/хв	8000

	325R
	A05328CBHV
Потужність / макс. потужність двигуна відповідно до ISO 8893, кВт / к. с. (оберти)	0,9/1,2 при 8000
Глушник з каталітичним конвертером	Так
Швидкість обертання вихідного валу, об./хв.	7200
Система запалювання	
Свічка запалення	Husqvarna HQT-4
Проміжок між електродами, мм	0,5
Паливна система	
Ємність паливного бака, л / см ³	0,343 / 343
Розміри виробу	
Вага, кг	5,5
Випромінювання шуму⁸²	
Вимірний рівень звукової потужності з ножем для трави, дБ(A)	108
Вимірний рівень звукової потужності з головкою тримера, дБ(A)	110
Гарантований рівень звукової потужності (L _{WA}) з ножем для трави, дБ(A)	112
Гарантований рівень звукової потужності (L _{WA}) з головкою тримера, дБ(A)	114
Рівні звуку⁸³	
Рівень звукового тиску на слухові органи оператора з ножем для трави, дБ(A)	96
Рівень звукового тиску на слухові органи оператора з головкою тримера, дБ(A)	95
Рівні вібрації⁸⁴	
Еквівалент рівня вібрації (ahv, eq), з ножем для трави, ліва ручка, м/с ²	5,1
Еквівалент рівня вібрації (ahv, eq), з ножем для трави, права ручка, м/с ²	5,7
Еквівалент рівня вібрації (ahv, eq), з головкою тримера, ліва ручка, м/с ²	4,1
Еквівалент рівня вібрації (ahv, eq), з головкою тримера, права ручка, м/с ²	4,9

⁸² Випромінювання шуму в середовище, виміряне як звукова потужність (L_{WA}), відповідає директиві ЄС 2000/14/ЄС. Зазначений рівень звукової потужності виробу був вимірний з оригінальним різальним устаткуванням, що дає найвищий рівень. Різниця між гарантованим і вимірюваним рівнем звукової потужності полягає в тому, що гарантована звукова потужність включає також дисперсію результатів вимірювання та відмінності між різними виробами тієї самої моделі відповідно до Директиви 2000/14/ЄС.

⁸³ Представлені дані для еквівалентного рівня звукового тиску для виробу мають типову статистичну дисперсію (стандартне відхилення) в 1 дБ(A).

⁸⁴ Представлені дані про еквівалентний рівень вібрації мають типову статистичну дисперсію (стандартне відхилення) в 1 м/с².

Аксессуары

Аксессуары

Схвалені аксесуари	Тип	Захисний кожух ріжучої насадки
Нарізний вал	M10L	
Головка тримера	T35, 2,4 мм	588 11 79-01
Ніж для трави	Grass 255-4, Ø 250	588 11 79-01

Декларація відповідності ЄС

Зміст декларації відповідності ЄС

Ми, Husqvarna AB, SE 561 82 м. Гускварна, Швеція, заявляємо під свою виключну відповідальність, що представлений виріб:

Опис	Бензиновий тример / Кущоріз
Бренд	Husqvarna
Платформа / Тип / Модель	Платформа A05328CBHV, представлена модель 325R
Партія	Серійні номери за 2018 рік і пізніше

повністю відповідає наступним директивам і нормам ЄС:

Директива/норма	Опис
2006/42/EC	«Про механічне обладнання»
2014/30/EU	«Про електромагнітну сумісність»
2000/14/EC	«Про випромінювання шуму від обладнання, призначеного для використання надворі»
2011/65/EU	«Про обмеження використання деяких небезпечних речовин»

Застосовуються наступні узгоджені стандарти й/або технічні специфікації: EN ISO 12100, EN ISO 11806-1, CISPR 12, ISO 14982, EN 50581:2012.

Згідно з директивою 2000/14/EC, додаток V, заявлені шумові характеристики зазначені в розділі технічних даних цього посібника та в підписаній декларації відповідності ЄС.

Компанія TÜV Rheinland N.A. виконала добровільну перевірку компанії Husqvarna AB та видала їй сертифікат відповідності нормам директиви Ради ЄС 2006/42/EC «Про машини та механізми».

Сертифікат, як зазначено в підписаній декларації відповідності ЄС, діє для всіх місць виробництва та країн-виробників, зазначених на виробі.

Бензиновий тример/кущоріз, що постачається, жодним чином не відрізняється від зразка, що пройшов випробування.



www.husqvarna.com

Original instructions
Оригинални инструкции
Originalna uputstva
Původní pokyny
Originale instruktioner
Originalanweisungen
Αρχικές οδηγίες
Instrucciones originales
Originalaľjuhend
Alkuperäiset ohjeet
Instructions d'origine
Originalne upute
Eredeti útmutatás
Istruzioni originali

Originalios instrukcijos
Lietošanas pamācība
Originele instructies
Originale instruksjoner
Originalne instrukcije
Instruções originais
Instrucțiuni inițiale
Оригинальные инструкции
Pôvodné pokyny
Izvirna navodila
Originalna uputstva
Bruksanvisning i original
Orjinal talimatlar
Оригинальні інструкції

595960403



2018-10-23