



Husqvarna®



525BX

EAC

EN	Operator's manual	2-14
BG	Ръководство за експлоатация	15-29
BS	Korisnički priručnik	30-42
CS	Návod k použití	43-56
DA	Bruksanvisning	57-70
DE	Bedienungsanweisung	71-84
EL	Οδηγίες χρήσης	85-99
ES	Manual de usuario	100-113
ET	Kasutusjuhend	114-126
FI	Käyttöohje	127-140
FR	Manuel d'utilisation	141-154
HR	Priručnik za korištenje	155-167
HU	Használati utasítás	168-181
IT	Manuale dell'operatore	182-195
JA	取扱説明書	196-209
LT	Operatoriaus vadovas	210-222
LV	Lietošanas pamācība	223-236
NL	Gebruiksaanwijzing	237-250
NO	Bruksanvisning	251-263
PL	Instrukcja obsługi	264-277
PT	Manual do utilizador	278-291
RO	Instrucțiuni de utilizare	292-305
RU	Руководство по эксплуатации	306-320
SK	Návod na obsluhu	321-334
SL	Navodila za uporabo	335-347
SR	Priručnik za rukovaoca	348-360
SV	Bruksanvisning	361-373
TR	Kullanım kılavuzu	374-386

Contents

Introduction.....	2	Troubleshooting.....	10
Safety.....	3	Transportation and storage.....	11
Assembly.....	5	Technical data.....	12
Operation.....	6	EC Declaration of Conformity.....	14
Maintenance.....	8		

Introduction

Product description

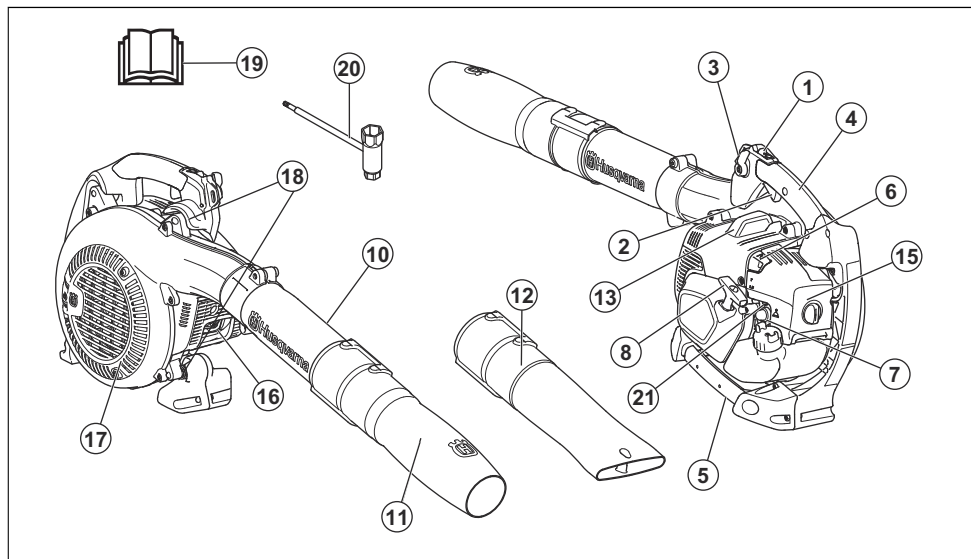
This product is a blower with a fuel engine.

We have a policy of continuous product development and therefore reserve the right to modify the design and appearance of products without prior notice.

Intended use

Use the product to blow leaves and other unwanted material from areas such as lawns, pathways and asphalt roads.

Product overview



- | | |
|------------------------|------------------------------|
| 1. Start/stop switch | 12. Flat nozzle |
| 2. Throttle trigger | 13. Spark plug |
| 3. Throttle control | 14. Fuel tank cap |
| 4. Control handle | 15. Air filter |
| 5. Handle | 16. Muffler |
| 6. Choke control | 17. Air intake screen |
| 7. Primer bulb | 18. Vibration damping system |
| 8. Starter rope handle | 19. Operator's manual |
| 9. Clamp screw | 20. Combination wrench |
| 10. Intermediate pipe | 21. Idle speed screw |
| 11. Round nozzle | |

Symbols on the product



WARNING! This product can be dangerous and cause serious injury or death to the operator or others. Be careful and use the product correctly.



Read the operator's manual carefully and make sure that you understand the instructions before use.



Use approved hearing protection and approved eye protection. If the environment contains dust, use a breathing mask.



Use approved protective gloves.



This product complies with applicable EC Directives.



Mixture of gasoline and two-stroke oil.



Air purge bulb.



Choke, open position.



Choke, closed position.



Noise emissions to the environment according to European Directive 2000/14/EC and New South Wales legislation "Protection of the Environment Operations (Noise

Control) Regulation 2017". Noise emission data can be found on the machine label and in the Technical data chapter.



Look out for thrown objects. Thrown objects can cause serious injury. Use personal protective equipment.



Keep a safety distance at a minimum of 15 m to persons or animals.

The rating plate shows the serial number. **yyyy** is the production year and **ww** is the production week.

yyyywwxxxx

Note: Other symbols/decals on the product refer to certification requirements for other commercial areas.

Euro V Emissions



WARNING: Tampering with the engine voids the EU type-approval of this product.

Product liability

As referred to in the product liability laws, we are not liable for damages that our product causes if:

- the product is incorrectly repaired.
- the product is repaired with parts that are not from the manufacturer or not approved by the manufacturer.
- the product has an accessory that is not from the manufacturer or not approved by the manufacturer.
- the product is not repaired at an approved service center or by an approved authority.

Safety

Safety definitions

The definitions below give the level of severity for each signal word.



WARNING: Injury to persons.



CAUTION: Damage to the product.

Note: This information makes the product easier to use.

General safety instructions



WARNING: Read the warning instructions that follow before you use the product.

- Do not do changes to the product without approval from the manufacturer and always use original accessories. Modifications and/or accessories that are not approved can result in serious injury or the death of the operator or others.
- Do not use a damaged product. Do the safety checks and maintenance given in this operator's manual. All other maintenance must be done by approved servicing personnel.
- All servicing and repair operations must be done by approved servicing personnel. If a part of the product is defective, speak to your servicing dealer.

Safety instructions for operation



WARNING: Read the warning instructions that follow before you use the product.

- This product can be dangerous and cause serious injury or death to the operator or others. Be careful and use the product correctly.
- Do an inspection of the product before use. Refer to *Maintenance on page 8*.
- Do not operate the product when you are tired, ill or under the influence of alcohol or other drugs that can decrease your vision, judgment or coordination.
- Install all covers and guards before use. To prevent electrical shock, make sure that the spark plug cap and ignition cable are not damaged.
- Do not touch the spark plug or ignition cable when the engine is on.
- Keep a safety distance at a minimum of 15 m to persons or animals. If persons, children or animals come nearer than 15 m, stop the product. Point the product away from persons, animals, open windows and other objects.
- Do not let children operate the product. Make sure that all operators read and understand the contents of this operator's manual.
- Keep hands or other objects away from the blower housing during operation. Rotating parts can cause serious injury.
- Do not use the product if the air intake screen is not installed. Always make sure that the air intake screen is installed and not damaged before use.
- If an emergency occurs, release the waist belt and chest belt of the harness and let the product fall.
- Obey national regulations and directives.
- Keep all body parts away from hot surfaces.
- Too much vibration can cause damage to the circulation or the nervous system. Speak to your physician if you have symptoms, for example

numbness, loss of feeling, tingling, pricking, pain, loss of strength or changes in skin color in your fingers, hands or wrists.

- Look out for thrown objects. Thrown objects can cause serious injury.
- Do not use the product in bad weather, for example fog, rain, strong winds and too cold environments. To do work in bad weather can cause tiredness and dangerous conditions.
- Make sure that you can move and keep a stable position. Do a check of the work area for possible obstacles, for example rocks. Be careful if you operate the product on a slope.
- Do not put the product on the ground with the engine on.
- Do not operate the product from high positions, for example on a ladder.
- Make sure that you can always be heard if an accident occurs.
- Make sure that the exhaust fume outlet is not blocked. To prevent damage to the product, keep obstacles at a minimum distance of 50 cm from the exhaust fume outlet.
- Do not start the product indoors, in bad airflow or near flammable material. The engine exhaust fumes contain carbon monoxide, which can cause carbon monoxide poisoning. The engine exhaust fumes are hot and can contain sparks which can start a fire.

Personal protective equipment



WARNING: Read the warning instructions that follow before you use the product.

- Use approved personal protective equipment when you use the product. Personal protective equipment cannot fully prevent injury but it can decrease the degree of injury. Speak to your dealer for more information.
- Use approved hearing protection. Long-term exposure to noise can result in permanent hearing damage.
- Use approved eye protection. If you use a visor, you must also use approved protective goggles. Approved protective goggles must agree with the ANSI Z87.1 standard in the USA or EN 166 in EU countries.
- Use protective gloves during operation and maintenance.
- Use protective boots or shoes with non-slip soles.
- Use clothing of strong fabric and of full length. Do not use jewelry or open shoes. To decrease the risk on injury, your clothing must be close-fitting but not limit your movements. Put your hair above your shoulders to prevent that your hair enters rotating parts or catches on branches.
- Use breathing protection when there is a risk of dust.
- Keep first aid equipment near.

Safety devices on the product



WARNING: Read the warning instructions that follow before you use the product.

- Do not use a product with defective safety devices.
- Do a check of the safety devices regularly. Refer to *Maintenance on page 8*.
- If the safety devices are defective, speak to your Husqvarna servicing dealer.

To do a check of the muffler



WARNING: Do not use a product with a defective muffler.



WARNING: The muffler becomes very hot during and after operation, also at idle speed. Use protective gloves to prevent burn injuries.



WARNING: The inner side of the muffler contains chemicals that may be carcinogenic. Do not touch the muffler if it is damaged.

- Regularly do a visual check of the muffler. The muffler keeps noise levels to a minimum and sends exhaust fumes away from the operator. Refer to *To do maintenance on the muffler on page 9*.

To do a check of the vibration damping system

1. Make sure that there are no cracks or deformation on the vibration damping units.
2. Make sure that the vibration damping units are correctly attached to the engine unit and handle unit.

Refer to *Product overview on page 2* for information about where the vibration damping system is on your product.

To do a check of the start/stop switch

1. Use the start/stop switch to stop the engine.

2. Make sure that the engine stops fully.

To see where the start/stop switch is on your product, refer to *Product overview on page 2*.

Fuel safety



WARNING: Read the warning instructions that follow before you use the product.

- Do not mix or add the fuel indoors or near a heat source.
- Do not start the product if there is fuel or oil on the product or on your body.
- Do not start the product if the engine has a fuel leak. Examine the engine for fuel leaks regularly.
- Always be careful with fuel. Fuel is flammable and the fuel fumes are explosive and can cause serious injury or death.
- Do not breathe in the fuel fumes, it can cause injury. Make sure that there is a sufficient airflow.
- Do not smoke near the fuel or the engine.
- Do not put the product or a fuel container near warm objects, an open flame, a spark or a pilot light.
- Always use approved containers for storage and transportation of fuel.

Safety instructions for maintenance



WARNING: Read the warning instructions that follow before you use the product.

- Stop the engine, remove the spark plug and let the engine become cool before maintenance and assembly.
- A blocked spark arrestor screen causes the engine to become too hot which causes damage to the engine.
- If the spark arrestor screen is frequently blocked, it can be a sign that performance of the catalytic converter is decreased. Speak to your servicing dealer to examine the muffler.

Assembly

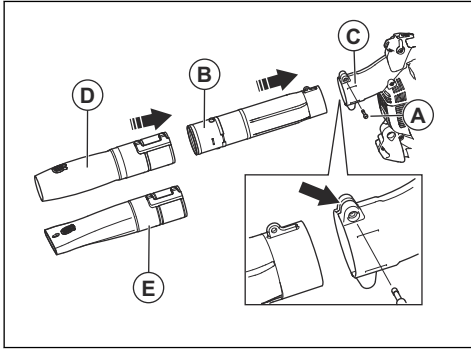
Introduction



WARNING: Read and understand the safety chapter before you assemble the product.

To assemble the blower pipe

1. Loosen the clamp screw (A).



2. Install the intermediate pipe (B) to the blower pipe (C).
3. Install and tighten the clamp screw (A) .
4. Install the round nozzle (D) or the flat nozzle (E) to the intermediate pipe.

Operation

Introduction



WARNING: Read and understand the safety chapter before you use the product.

Fuel

This product has a two-stroke engine.



CAUTION: Incorrect type of fuel can result in engine damage. Use a mixture of gasoline and two-stroke oil.

Premixed fuel

- Use Husqvarna premixed alkylate fuel for best performance and extension of the engine life. This fuel contains less harmful chemicals compared to regular fuel, which decreases harmful exhaust fumes. The quantity of remains after combustion is lower with this fuel, which keeps the components of the engine more clean.

To mix fuel

Gasoline

- Use good quality unleaded gasoline with a maximum of 10% ethanol contents.



CAUTION: Do not use gasoline with an octane grade less than 90 RON/87 AKI. Use of a lower octane grade can cause engine knocking, which causes engine damages.

Two-stroke oil

- For best results and performance use Husqvarna two-stroke oil.
- If Husqvarna two-stroke oil is not available, use a two-stroke oil of good quality for air-cooled engines. Speak to your servicing dealer to select the correct oil.



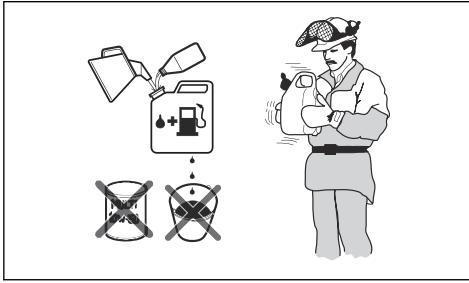
CAUTION: Do not use two-stroke oil for water-cooled outboard engines, also referred to as outboard oil. Do not use oil for four-stroke engines.

To mix gasoline and two-stroke oil

Gasoline, liter	Two-stroke oil, liter
	2% (50:1)
5	0.10
10	0.20
15	0.30
20	0.40



CAUTION: Small errors can influence the ratio of the mixture drastically when you mix small quantities of fuel. Measure the quantity of oil carefully and make sure that you get the correct mixture.



1. Fill half the quantity of gasoline in a clean container for fuel.
2. Add the full quantity of oil.
3. Shake the fuel mixture.
4. Add the remaining quantity of gasoline to the container.
5. Carefully shake the fuel mixture.



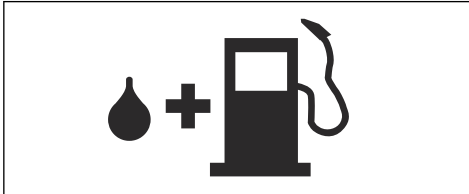
CAUTION: Do not mix fuel for more than 1 month at a time.

To fill the fuel tank



WARNING: Obey the procedure that follows for your safety.

1. Stop the engine and let the engine become cool.
2. Clean the area around the fuel tank cap.



3. Shake the container and make sure that the fuel is fully mixed.
4. Remove the fuel tank cap slowly to release the pressure.
5. Fill the fuel tank.



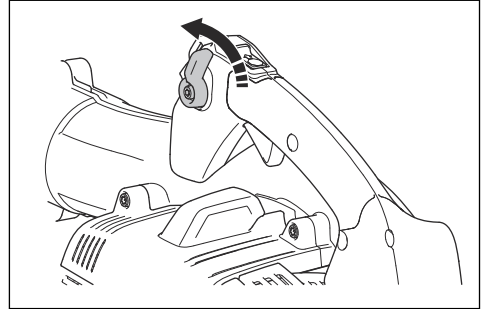
CAUTION: Make sure that there is not too much fuel in the fuel tank. The fuel expands when it becomes hot.

6. Tighten the fuel tank cap carefully.
7. Clean fuel spillage on and around the product.
8. Move the product 3 m/10 ft or more away from the refueling area and fuel source before you start the engine.

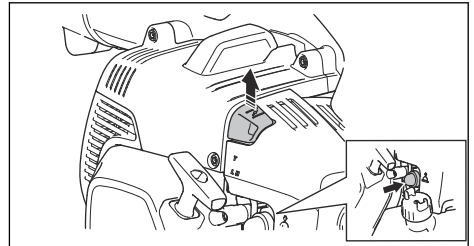
Note: To see where the fuel tank is on your product, refer to *Introduction on page 2*.

To start the product

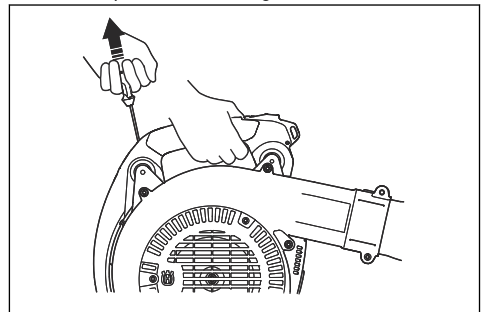
1. Move the throttle control to the idle position.



2. If the engine is cold push the choke control to the closed choke position.



3. Push the air purge bulb again and again until fuel starts to fill the air purge bulb. It is not necessary to fill the air purge bulb fully.
4. Put the product on a flat surface on the ground.
5. Hold the product with the right hand.



CAUTION: Do not use your feet to hold the product.

6. Pull the starter rope handle slowly until resistance occurs.

- Pull the starter rope handle quickly with the left hand. Pull the starter rope handle again and again until the engine starts.

Note: Do not pull the starter rope handle to full extension and do not let go of the starter rope handle.

- If the engine is cold set the choke control to the open position.
- If the engine is cold let the engine operate for 2-3 minutes to become warm before operation.



WARNING: Air is released when the engine is started and when the product is set at idle speed. Do not let persons to come near the product or the blower pipe.

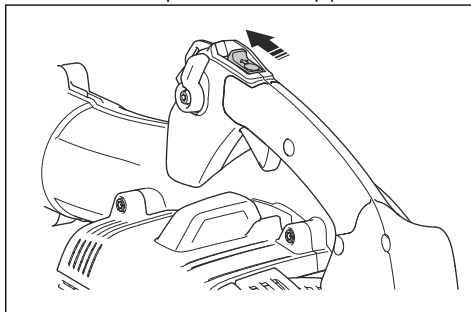
- Make a note of the wind direction and operate the product in the direction of the wind.
- Use applicable garden tools to release material from the ground.
- In areas with dust, use spray equipment to wet the area. This decreases the operation time.
- After operation, keep the product in storage vertically.

To stop the engine



CAUTION: Do not stop the product at full speed.

- Put the start/stop switch in the stop position.



To operate the product

- Operate the product at usual work hours. Obey local regulations.
- Decrease the pieces of equipment and select the correct speed for your task. Use the throttle at lowest position possible to prevent more noise and dust than necessary.
- Keep the blower nozzle near the ground.

Note: Husqvarna recommends that you use the full blower nozzle extension.

Maintenance

Introduction



WARNING: Read and understand the safety chapter before you do maintenance on the product.

Maintenance schedule

Maintenance	Daily	Weekly	Monthly
Clean the external surfaces.	X		
Make sure that the throttle control operates correctly.	X		
Make sure that the start/stop switch operates correctly. Refer to <i>To do a check of the start/stop switch on page 5.</i>	X		
Examine the engine, the fuel tank and the fuel lines for leaks. Examine the fuel filter for contamination. Replace the fuel filter if it is necessary.	X		
Clean the air filter. Replace the air filter if it is necessary.	X		
Tighten nuts and screws.	X		
Examine the air intake and make sure that it is not blocked.	X		
Examine the starter and the starter rope for damages.		X	

Maintenance	Daily	Weekly	Monthly
Examine the vibration damping units for damages, cracks and deformation. Make sure that the vibration damping units are correctly installed.		X	
Examine the spark plug. Refer to <i>To do a check of the spark plug on page 9</i> .		X	
Clean the cooling system.		X	
Clean the external surface of the carburetor and the area around it.		X	
Clean the fuel tank.			X
Examine all cables and connections.			X
Examine and clean the spark arrester screen on the muffler (for products without catalytic converter).		X	
Examine and clean the spark arrester screen on the muffler (for products with catalytic converter).			X
Replace the spark plug. Make sure it is attached with a suppressor.			X

To adjust the idle speed

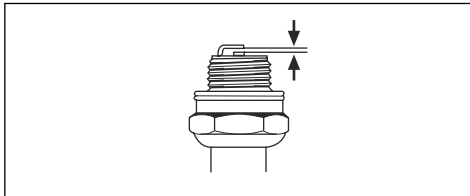
1. Make sure that the air filter is clean and that the air filter cover is attached.
2. Adjust the idle speed with the idle speed screw. To see where the idle speed screw is on your product, refer to *Product overview on page 2*.

To do a check of the spark plug



CAUTION: Use the recommended spark plug. Refer to *To do a check of the spark plug on page 9*. An incorrect spark plug can cause damage to the product.

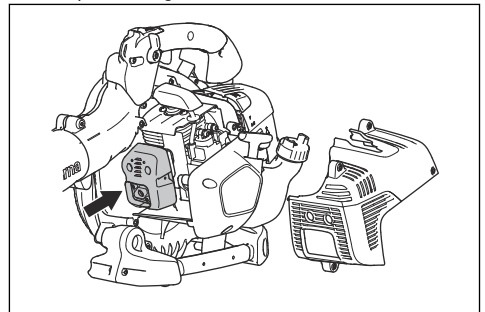
1. Stop the engine and let the product become cool.
2. Clean the spark plug if it is dirty.
3. Make sure that the electrode gap is correct. Refer to *Technical data on page 12*.



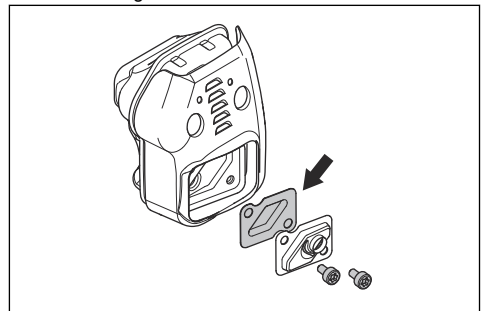
4. Replace the spark plug monthly or more frequently if it is necessary.

To do maintenance on the muffler

1. Stop the engine and let the muffler become cool. Use protective gloves.



2. Remove the muffler cover.
3. Do a visual check. Replace the spark arrester screen if it is damaged.



To examine and clean the cooling system

The cooling system includes the cooling fins on the cylinder and the air intake screen.

1. Stop the engine.
2. Make sure that the cooling system is not dirty or blocked. If it is necessary, clean the air intake screen and cooling fins.



CAUTION: A dirty or blocked cooling system can increase the temperature of the engine and cause damage to the product. A clogged air intake screen decreases the blow force.

3. Examine the cooling system for damages. Make sure that the parts are attached correctly to the product.

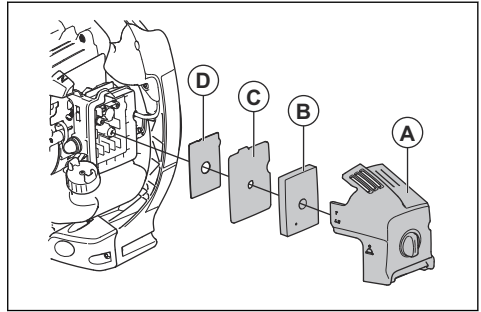
To clean the air filter



CAUTION: Do not use a product without an air filter or with a damaged air filter. Dust in the air can cause damage to the engine.

1. Push the choke control to the closed choke position.

2. Remove the air filter cover (A).



3. Remove the air filter (B) from the filter frame.
4. Clean the air filter (B) with warm water and soap.

Note: An air filter that has been used for a long time cannot be fully cleaned. Replace the air filter regularly and always replace a defective air filter.

5. Clean the inner surface of the air filter cover (A) with a brush.
6. Remove and replace the felt filter (C) if it is dirty.
7. Install the screen (D), the felt filter (C) and the air filter (B).
8. Install the air filter cover (A) to the product.

Troubleshooting

The engine is not possible to start		
Check	Possible cause	Solution
Stop button.	Stop position	Set the stop switch to the start position.
Starter pawl/s.	Blocked or worn starter pawl/s.	Adjust or replace the starter pawl/s.
		Clean around the starter pawl/s.
		Speak to an approved servicing dealer.
Fuel tank.	Incorrect fuel type.	Drain the fuel tank and use correct fuel.
Carburetor.	Adjustment of the idle speed.	Adjust the idle speed with the idle adjustment screw.
Spark (no spark).	Spark plug dirty or wet.	Make sure that the spark plug is dry and clean.
	Electrode gap on the spark plug is incorrect.	Clean the spark plug. Make sure that the electrode gap is correct. Make sure that the spark plug is installed with a suppressor.
		Refer to technical data for the correct electrode gap.

The engine is not possible to start		
Check	Possible cause	Solution
Spark plug.	Spark plug is loose.	Tighten the spark plug.
	There is unwanted material on the spark plug electrodes.	Make sure that the fuel mixture is correct.
		Make sure that the air filter is clean.

Engine starts but stops again		
Check	Possible cause	Solution
Fuel tank.	Incorrect fuel type.	Drain it and use the correct fuel.
Carburetor.	Engine will not operate correctly at idle speed.	Speak to your servicing dealer.
Air filter.	Clogged air filter.	Clean the air filter.

Transportation and storage



WARNING: To prevent the risk of fire, make sure that there are no leaks or fumes during transportation or storage. Make sure that there is no risk of sparks or fire.

- Empty the fuel tank before transportation or long-term storage. Push the air purge bulb to make sure that all fuel is removed. Discard the fuel at an applicable disposal location.
- Make sure that the product is clean and that a full servicing is done before long-term storage.
- Remove the spark plug and put approximately 15 ml of two-stroke oil into the cylinder. Turn the product 3 times and install the spark plug again.
- Attach the product safely to the vehicle during transportation.
- Keep the product in a dry, cool and clean space with good airflow. Keep the product away from children.

Technical data

Technical data

Husqvarna 525BX	
Engine	
Cylinder displacement, cm ³	25.4
Idle speed, rpm	3000
Catalytic converter	Yes
Ignition system	
Spark plug	NGK BPMR8Y
Electrode gap, mm	0.6-0.7
Fuel and lubrication system	
Fuel tank capacity, l / cm ³	0.45 / 450
Weight	
Weight without fuel, kg	4.4
Noise emissions¹	
Sound power level, measured dB (A)	104
Sound power level, guaranteed L _{WA} dB (A)	106
Sound levels²	
Equivalent sound pressure level at the operator's ear, measured according to EN15503 dB(A):	
Equipped with round nozzle	91
Equipped with flat nozzle	92
Vibration levels³	
Equivalent vibration levels (a _{hv,eq}) at handles, measured according to EN 15503, m/s ²	
Equipped with round nozzle	1.2
Equipped with flat nozzle	2.0
Fan performance	
Max. air velocity with round nozzle, m/s	70
Max. air velocity with flat nozzle, m/s	86
Air flow with round nozzle, m ³ /min	13

¹ Noise emissions in the environment measured as sound power (L_{WA}) in conformity with EC directive 2000/14/EC. Reported sound power level for the machine has been measured with the original blower nozzle that gives the highest level. The difference between guaranteed and measured sound power is that the guaranteed sound power also includes dispersion in the measurement result and the variations between different machines of the same model according to Directive 2000/14/EC.

² Reported data for noise pressure level has a typical statistical dispersion (standard deviation) of 1.0 dB (A).

³ Reported data for vibration level has a typical statistical dispersion (standard deviation) of 1.0 m/s².

	Husqvarna 525BX
Air flow with flat nozzle, m ³ /min	10

EC Declaration of Conformity

EC Declaration of Conformity

Husqvarna AB, SE-561 82 Huskvarna, Sweden, tel: +46-36-146500, declares that the blower **Husqvarna 525BX** with serial number dating from 2016 onwards (the year is clearly stated on the rating plate, followed by the serial number), complies with the requirements of the COUNCIL'S DIRECTIVE:

- of May 17, 2006 "relating to machinery" **2006/42/EC**.
- of February 26, 2014 "relating to electromagnetic compatibility" **2014/30/EU**.
- of May 8, 2000 "relating to the noise emissions in the environment" **2000/14/EC**. Conformity assessment according to Annex V. For information relating to noise emissions, refer to *Technical data on page 12*.
- of June 8, 2011 "on the restriction of the use of certain hazardous substances in electrical and electronic equipment" **2011/65/EU**.

The following standards have been applied:

EN ISO 12100-2/A1:2009, CISPR 12:2009, EN 15503:2009/A2:2015, EN 50581:2012

RISE SMP Svensk Maskinprovning AB, has performed voluntary type examination on behalf of Husqvarna AB. The certificate is numbered: **SEC/14/2423** - 525BX

Huskvarna, 2020-01-01



Per Gustafsson, Development Manager (Authorized representative for Husqvarna AB and responsible for technical documentation)

Содержание

Въведение.....	15	Отстраняване на проблеми.....	24
Безопасност.....	16	Транспорт и съхранение.....	26
Монтаж.....	19	Технически характеристики.....	27
Операция.....	19	Декларация за съответствие на ЕО.....	29
Поддръжка.....	22		

Въведение

Описание на продукта

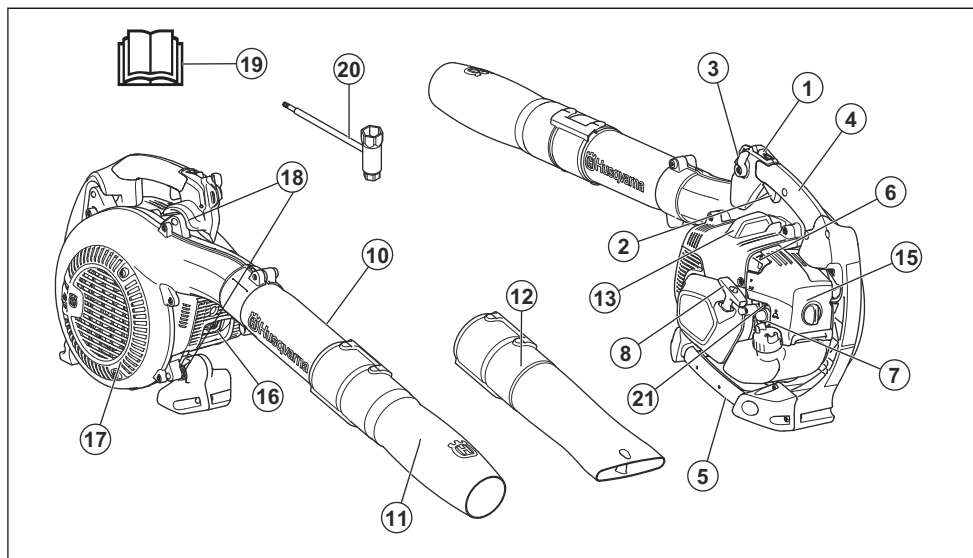
Този продукт е компресорно оборудване с горивен двигател.

Ние имаме политика на непрекъснато усъвършенстване на продуктите и затова си запазваме правото да променяме тяхната конструкция и външен вид без предизвестие.

Предназначение

Използвайте продукта за събиране на листа или други нежелани предмети от зони като морави, пътеки и асфалтирани пътища.

Общ преглед на продукта



1. Ключ за включване/изключване
2. Регулатор за газта
3. Регулатор на дроселната клапа
4. Ръкохватка за управление
5. Ръкохватка
6. Смукач
7. Подкачваща помпа
8. Дръжка на въжето на стартера
9. Винт на скоба

10. Междина тръба
11. Кръгъл накрайник
12. Плосък накрайник
13. Запалителна свещ
14. Капачка на резервоара за гориво
15. Въздушен филтър
16. Ауслух
17. Филтър на смукателния въздухопровод
18. Антивибрационна система

19. Инструкция за експлоатация
20. Комбиниран гаечен ключ
21. Винт за обороти на празен ход

Данните за шумови емисии могат да бъдат намерени на етикетата на машината и в главата „Технически характеристики“.

Символи върху машината



ПРЕДУПРЕЖДЕНИЕ! Този продукт може да бъде опасен и да причини сериозно нараняване или смърт на оператора или други хора. Внимавайте и използвайте продукта правилно.



Прочетете внимателно ръководството за оператора и се уверете, че разбирате инструкциите, преди да използвате машината.



Използвайте одобрени антифони и защитни средства за очите. Ако в околната среда има прах, използвайте предпазна маска.



Използвайте одобрени защитни ръкавици.



Този продукт отговаря на изискванията на приложимите директиви на ЕО.



Смес от бензин и масло за двутактов двигател.



Купол на горивната помпа.



Смукач, отворено положение.



Смукач, затворено положение.



Шумови емисии към околната среда съгласно Европейска директива 2000/14/ЕО и законодателството на Нов Южен Уелс "Регламент 2017 относно защитата от дейности, оказващи влияние на околната среда (контрол на шума)".



Внимавайте за хвърчащи предмети. Хвърчащите предмети могат да причинят сериозно нараняване. Използвайте лични предпазни средства.



Поддържайте минимално безопасно разстояние 15 m от хора и животни.

гггссхххххх

Серийният номер е показан на типовата табелка. **ггг** е годината на производство, а **сс** е седмицата на производство.

Забележка: Останалите символи/лепенки върху продукта се отнасят до изисквания по отношение на сертификати за други търговски зони.

Емисии Euro V



ПРЕДУПРЕЖДЕНИЕ: Намесата в двигателя прави невалидно ЕС одобрението на тип на този продукт.

Отговорност за продукта

Както е посочено в законите за отговорност за вреди, причинени от стоки, ние не носим отговорност за щети, причинени от нашия продукт, ако:

- продуктът е неправилно ремонтиран.
- продуктът е ремонтиран с части, които не са от производителя или не са одобрени от производителя.
- продуктът има принадлежност, която не е от производителя или не е одобрена от производителя.
- продуктът не е ремонтиран в одобрен сервизен център или от одобрен орган.

Безопасност

Дефиниции за безопасност

Дефинициите по-долу предоставят нивото на сериозност за всяка една предупредителна дума.



ПРЕДУПРЕЖДЕНИЕ: Нараняване на лица.



ВНИМАНИЕ: Повреда на продукта.

Забележка: Тази информация прави продукта по-лесен за използване.

Общи инструкции за безопасност



ПРЕДУПРЕЖДЕНИЕ: Прочетете следващите предупредителни указания, преди да използвате продукта.

- Не правете изменения по продукта без одобрението на производителя и винаги използвайте оригинални принадлежности. Изменения и/или принадлежности, които не са одобрени, могат да доведат до сериозно нараняване или до смърт на оператора или други хора.
- Не използвайте повреден продукт. Извършете посочените в тази инструкция за експлоатация проверки за безопасност и техническо обслужване. Цялото останало техническо обслужване трябва да се извърши от одобрен сервизен персонал.
- Всички операции по сервизно обслужване и ремонт трябва да се извършат от одобрен сервизен персонал. Ако дадена част от продукта е дефектна, обърнете се към Вашия сервизен дистрибутор.

Инструкции за безопасност за работа



ПРЕДУПРЕЖДЕНИЕ: Прочетете следващите предупредителни указания, преди да използвате продукта.

- Поддържайте минимално безопасно разстояние 15 m от хора и животни. Ако хора, деца или животни се приближат на по-малко от 15 m, спрете продукта. Насочвайте продукта далеч от хора, животни, отворени прозорци и други обекти.
- Не позволявайте на деца да работят с продукта. Уверете се, че всички оператори са прочели и са разбрали съдържанието на настоящата инструкция за експлоатация.
- По време на работа дръжте ръцете си и други предмети далеч от корпуса на компресорното оборудване. Въртящите се части могат да доведат до сериозно нараняване.
- Не използвайте продукта, ако филтърът на смукателния въздухопровод не е монтиран. Винаги се уверявайте, че филтърът на смукателния въздухопровод е монтиран и не е повреден преди употреба.
- При аварийна ситуация освободете колана и ремъка за гръдния кош на самара и оставете продукта да падне.
- Спазвайте националните разпоредби и директиви.
- Дръжте всички части на тялото си далеч от горещите повърхности.
- Прекомерните вибрации могат да навредят на кръвоносната или нервната система. Обърнете се към Вашия лекар, ако имате симптоми, като например изтръпване, загуба на сетивност, "иглички", бодежи, болка, загуба на сила или промени в цвета на кожата на пръстите, ръцете или китките.
- Внимавайте за хвърчащи предмети. Хвърчащите предмети могат да причинят сериозно нараняване.
- Не използвайте продукта в лошо време, например в условия на мъгла, дъжд, силен вятър и твърде ниски температури. Работата в лошо време може да доведе до умора и опасни състояния.
- Уверете се, че можете да се движите свободно и да поддържате стабилна позиция. Проверете работната зона за възможни препятствия, например скали. Бъдете внимателни, ако работите с продукта върху склон.
- Не оставяйте продукта върху земята с включен двигател.
- Не работете с продукта от високи позиции, например върху стълба.
- Уверете се, че винаги можете да бъдете чути при възникване на нещастен случай.
- Уверете се, че изходът за отработените газове не е запушен. За да предотвратите повреждането на продукта, не допускайте препятствия на по-малко от 50 cm от изхода за отработените газове.
- Не стартирайте продукта на закрито, при лоша вентилация или близо до запалими материали. Отработените газове на двигателя съдържат

въглероден окис, който може да предизвика отравяне с въглероден окис. Отработените газове са горещи и биха могли да съдържат искри, които да предизвикат пожар.

Лични предпазни средства



ПРЕДУПРЕЖДЕНИЕ: Прочетете следващите предупредителни указания, преди да използвате машината.

- При работа с машината използвайте одобрени лични предпазни средства. Личните предпазни средства не могат напълно да предотвратят нараняване, но могат да намалят степента на нараняването. Свържете се с Вашия дилър за повече информация.
- Използвайте одобрени антифони. Продължителното излагане на въздействието на шум може да доведе до невъзвратимо нарушаване на слуха.
- Използвайте одобрени защитни средства за очите. Ако използвате маска, използвайте също и одобрени защитни очила. Одобрените защитни очила трябва да отговарят на стандарт ANSI Z87.1 за САЩ или EN 166 за страните от ЕС.
- Носете защитни ръкавици по време на работа и техническо обслужване.
- Използвайте защитни ботуши или обувки с противоплъзгащи подметки.
- Носете дрехи от здрав плат и с дълги ръкави/крачоли. Не носете бижута и отворени обувки. За да намалите риска от нараняване, Вашите дрехи трябва да бъдат плътно прилепнали, но да не ограничават движенията Ви. Повдигнете косата си над раменете, за да не може тя да влезе във въртящите се части или да бъде захваната от клони.
- Използвайте средства за защита на дихателната система, когато има опасност от прах.
- Дръжте наблизо комплект за първа помощ.

Приспособления за безопасност на машината



ПРЕДУПРЕЖДЕНИЕ: Прочетете следващите предупредителни указания, преди да използвате машината.

- Не използвайте машина с неизправни приспособления за безопасност.
- Проверявайте редовно приспособленията за безопасност. Вижте *Поддръжка на страница 22*.
- Ако приспособленията за безопасност са дефектни, говорете с Вашия сервиз на Husqvarna.

За проверка на ауспуха



ПРЕДУПРЕЖДЕНИЕ: Не използвайте продукт с дефектен ауспук.



ПРЕДУПРЕЖДЕНИЕ: Ауспукът става много горещ по време на работа и след работа, както и при обороти на празен ход. Използвайте защитни ръкавици за предпазване срещу изгаряне.



ПРЕДУПРЕЖДЕНИЕ: Вътрешната страна на ауспуха съдържа химикали, които може да са канцерогенни. Не докосвайте ауспуха, ако той е повреден.

- Правете редовно визуална проверка на ауспуха. Ауспукът е предназначен за максимално намаляване на нивата на шума и за отвеждане на отработените газове настрана от потребителя. Направете справка с *За техническо обслужване на ауспуха на страница 23*.

За проверка на антивибрационната система

1. Уверете се, че няма пукнатини или деформация на антивибрационните модули.
2. Уверете се, че антивибрационните модули са закрепени здраво към двигателя и дръжката.

Вижте *Общ преглед на продукта на страница 15* за информация за това, къде се намира антивибрационната система.

За проверка на превключвателя за включване/изключване

1. Използвайте превключвателя за включване/изключване, за да спрете двигателя.
2. Уверете се, че двигателят е напълно спрял.

За да видите къде се намира превключвателят за стартиране/спиране върху Вашия продукт, направете справка с *Общ преглед на продукта на страница 15*.

Безопасност при работа с гориво



ПРЕДУПРЕЖДЕНИЕ: Прочетете следващите предупредителни указания, преди да използвате машината.

- Не смесвайте и не наливайте гориво на закрито или близо до източник на топлина.
- Не стартирайте продукта, ако има масло или гориво върху продукта или върху Вашето тяло.
- Не стартирайте продукта, ако от двигателя изтича гориво. Проверявайте редовно двигателя за изтичане на гориво.

- Винаги внимавайте с горивото. Горивото е запалимо и неговите газове са взривоопасни и могат да доведат до тежко нараняване или смърт.
- Не вдишвайте горивните изпарения, това може да доведе до телесни увреждания. Уверете се, че има достатъчен въздушен поток.
- Не пушете близо до горивото или двигателя.
- Не поставяйте продукта или резервоара за гориво близо до горещи обекти, до открит огън, искри или постоянна малка горелка.
- Винаги използвайте одобрени контейнери за съхранение и транспортиране на гориво.
- Преди да пристъпите към техническо обслужване и монтаж, спрете двигателя, откачете запалителната свещ и оставете двигателя да изстине.
- Запушен филтър на искрогасителната мрежа ще предизвика прегряване на двигателя, което ще повреди двигателя.
- Ако искрогасителната мрежа се запушва често, това може да е признак, че ефективността на катализатора е намалена. Обърнете се към Вашия сервизен дистрибутор за проверка на ауслуха.

Инструкции за безопасност при техническо обслужване



ПРЕДУПРЕЖДЕНИЕ: Прочетете следващите предупредителни указания, преди да използвате машината.

Монтаж

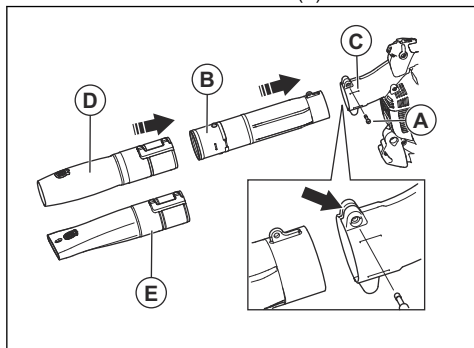
Въведение



ПРЕДУПРЕЖДЕНИЕ: Прочетете и разберете главата за безопасност, преди да монтирате продукта.

За монтиране на тръбата на компресорното оборудване

1. Разхлабете винта на скобата (А).



2. Монтирайте междинната тръба (В) към тръбата на компресорното оборудване (С).
3. Монтирайте и затегнете винта на скобата (А).
4. Монтирайте кръглия накрайник (D) или плоския накрайник (Е) към междинната тръба.

Операция

Въведение



ПРЕДУПРЕЖДЕНИЕ: Прочетете и разберете раздела с инструкции за безопасност преди използване на продукта.

Гориво

Този продукт разполага с двутактов двигател.



ВНИМАНИЕ: Неподходящият тип гориво може да доведе до повреда на двигателя. Използвайте смес от бензин и масло за двутактови двигатели.

10	0,20
15	0,30
20	0,40

Предварително смесено гориво

- За постигане на оптимални работни характеристики и за удължаване на срока на експлоатация на двигателя използвайте предварително смесено алкилатно гориво на Husqvarna. Това гориво съдържа по-малко вредни химикали в сравнение с обикновеното гориво и това намалява вредните отработени газове. С това гориво количеството остатъци след изгарянето е по-ниско, което запазва компонентите на двигателя по-чисти.

За изготвяне на горивна смес

Бензин

- Използвайте качествен безоловен бензин с максимално съдържание на етанол 10%.



ВНИМАНИЕ: Не използвайте бензин с октаново число по-малко от 90 RON/87 AKI. Използването на по-ниско октаново число може да доведе до детонационно горене в двигателя, което предизвиква повреда в него.

Масло за двутактов двигател

- За постигане на най-добри резултати и работни характеристики използвайте масло за двутактови двигатели на Husqvarna.
- Ако не разполагате с масло за двутактови двигатели на Husqvarna, използвайте друго висококачествено масло за двутактови двигатели, разработено за двигатели с въздушно охлаждане. Говорете с дистрибутора по сервизното обслужване за избор на точното масло.



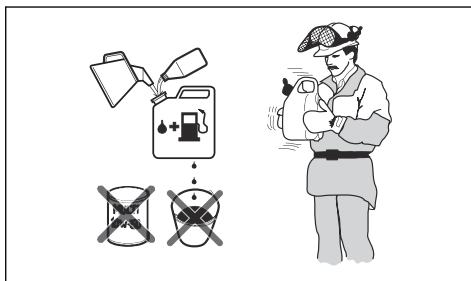
ВНИМАНИЕ: Не използвайте масло за извънбордови двутактови двигатели с водно охлаждане, понякога наричано извънбордово масло. Не използвайте масло за четиритактови двигатели.

Смесване на бензин и масло за двутактов двигател

Бензин, литри	Масло за двутактов двигател, литри
	2% (50:1)
5	0,10



ВНИМАНИЕ: Малки грешки могат да повлияят драстично на съотношението в сместа, когато смесвате малки количества гориво. Измервайте внимателно количеството масло, за да сте сигурни, че ще получите правилната смес.



1. Налейте половината гориво в чист съд за гориво.
2. Добавете цялото количество масло.
3. Разклатете горивната смес.
4. Долейте останалото количество бензин в съда.
5. Разклатете внимателно горивната смес.



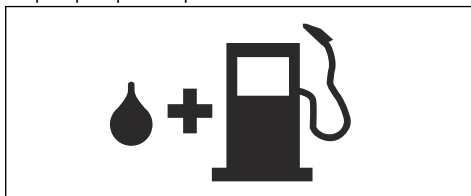
ВНИМАНИЕ: Не смесвайте количество гориво, което ще престои повече от 1 месец.

Пълнене на резервоара за гориво



ПРЕДУПРЕЖДЕНИЕ: Спазвайте следната процедура за Ваша безопасност.

1. Спрете двигателя и го оставете да се охлади.
2. Почистете областта около капачката на резервоара за гориво.



3. Разклатете контейнера и се уверете, че горивото е напълно смесено.

- Отстранете бавно капачката на резервоара за гориво, за да освободите налягането.
- Напълнете резервоара за гориво.



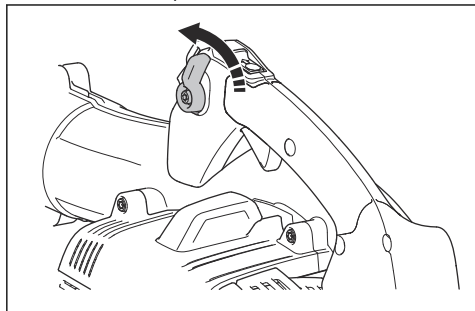
ВНИМАНИЕ: Уверете се, че в резервоара за гориво няма твърде много гориво. Когато се нагрее, горивото се разширява.

- Затегнете капачката на резервоара за гориво внимателно.
- Почистете разлятото гориво върху продукта и около него.
- Преди стартиране на двигателя преместете продукта на 3 м/10 фти или повече от мястото, където се извършва зареждането с гориво и където се намира източникът на горивото.

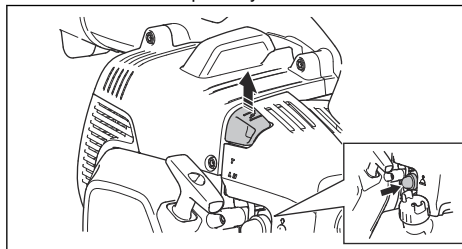
Забележка: За местоположението на резервоара за гориво на Вашия продукт направете справка с *Въведение на страница 15*.

За стартиране на продукта

- Преместете регулатора на дроселната клапа в положение на празен ход.

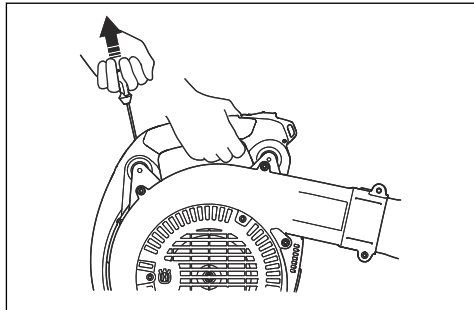


- Ако двигателят е студен, натиснете смукача до положение "затворен смукач".



- Натискайте купола на горивната помпа, докато горивото не започне да изплъва купола на горивната помпа. Не е необходимо да се пълни докрай куполът на горивната помпа.
- Поставете продукта върху равна повърхност на земята.

- Дръжте продукта с дясната си ръка.



ВНИМАНИЕ: Не използвайте краката си за задържане на продукта.

- Дърпайте бавно дръжката на въжето на стартера, докато усетите съпротивление.
- Дръпнете бързо дръжката на въжето на стартера с лявата си ръка. Дърпайте дръжката на въжето на стартера, докато двигателят не запали.

Забележка: Не дърпайте докрай дръжката на въжето на стартера и не я пускайте.

- Ако двигателят е студен, поставете смукача в отворено положение.
- Ако двигателят е студен, оставете двигателя да работи 2 – 3 минути, за да се загрее, преди да започнете работа.



ПРЕДУПРЕЖДЕНИЕ: При стартирането на двигателя и при работа на продукта на обороти на празен ход се изпуска въздух. Не допускайте хора близо до продукта или до тръбата на компресорното оборудване.

За да работите с продукта

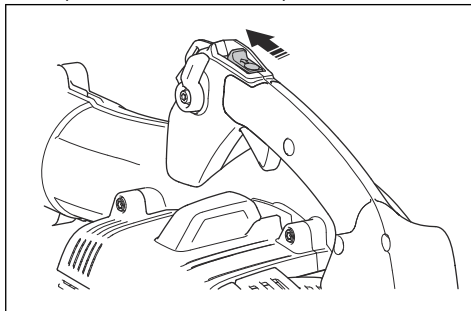
- Работете с продукта в обичайното работно време. Съблюдавайте местните разпоредби.
- Намалете броя на частите от оборудването и изберете правилните обороти за Вашата задача. Използвайте възможно най-ниската позиция на газа, за да сведете до минимум шума и праха.
- Дръжте дюзата на компресорното оборудване близо до земята.

Забележка: Husqvarna препоръчва използване на целия удължител на дюзата на компресорното оборудване.

- Отчетете посоката на вятъра и насочете продукта по посока на вятъра.
- Използвайте приложими градински инструменти, за да освободите материал от земята.

- В зони с прах използвайте пръскащо оборудване, за да навлажните зоната. Това намалява времето за работа.
- След работа съхранявайте продукта във вертикално положение.

- Поставете превключвателя за стартиране/спиране в положение за спиране.



За да спрете двигателя



ВНИМАНИЕ: Не спирайте продукта при пълни обороти.

Поддръжка

Въведение

безопасност, преди да започнете техническо обслужване на продукта.



ПРЕДУПРЕЖДЕНИЕ: Прочетете и разберете главата с инструкции за

График за техническо обслужване

Поддръжка	Ежедневно	Всяка седмица	Всеки месец
Почистете външните повърхности.	X		
Уверете се, че регулаторът на дроселната клапа работи правилно.	X		
Уверете се, че ключът стартиране/спиране функционира нормално. Направете справка с <i>За проверка на превключвателя за включване/изключване на страница 18.</i>	X		
Проверете двигателя, резервоара за гориво и горивните линии за течове. Проверете горивния филтър за замърсяване. Сменете горивния филтър, ако е необходимо.	X		
Почистете въздушния филтър. Сменете въздушния филтър, ако е необходимо.	X		
Затегнете гайките и винтовете.	X		
Проверете смукателния въздухопровод и се уверете, че не е запушен.	X		
Проверете стартера и въжето за стартиране за повреди.		X	
Проверете елементите за успокояване на вибрациите за повреди, пукнатини и деформация. Уверете се, че антивибрационните части са монтирани правилно.		X	
Проверете запалителната свещ. Направете справка с <i>За проверка на запалителната свещ на страница 23.</i>		X	
Почистете системата за охлаждане.		X	
Почистете външната повърхност на карбуратора и мястото около него.		X	
Почистете резервоара за гориво.			X

Поддръжка	Ежеднев но	Всяка седмица	Всеки месец
Проверете всички кабели и връзки.			X
Проверете и почистете филтъра на искрогасителната мрежа на ауспуха (за продукти без катализатор).		X	
Проверете и почистете искрогасителната мрежа на ауспуха (за продукти с катализатор).			X
Подменете запалителната свещ. Уверете се, че е прикрепена със супресор.			X

Регулиране на оборотите на празния ход

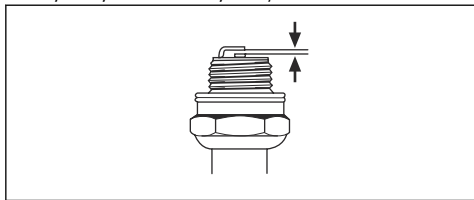
1. Уверете се, че въздушният филтър е чист и че капакът на въздушния филтър е поставен.
2. Регулирайте оборотите на празния ход с винта за празен ход. За да видите къде се намира винтът за обороти на празния ход, направете справка с *Общ преглед на продукта на страница 15.*

За проверка на запалителната свещ



ВНИМАНИЕ: Използвайте препоръчаната запалителна свещ. Вижте *За проверка на запалителната свещ на страница 23.* Използването на запалителна свещ от неправилен тип може да повреди продукта.

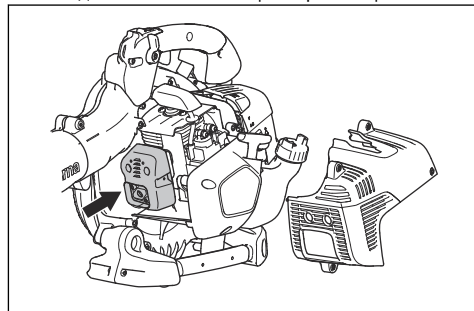
1. Спрете двигателя и оставете продукта да се охлади.
2. Почистете запалителната свещ, ако е замърсена.
3. Уверете се, че разстоянието между електродите е правилно. Направете справка с *Технически характеристики на страница 27.*



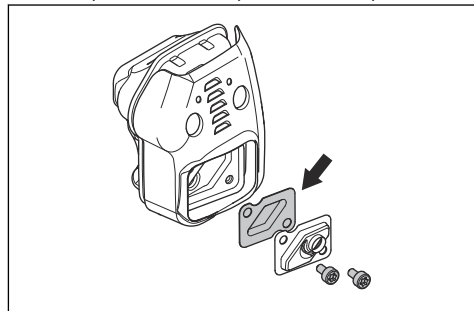
4. Сменяйте запалителната свещ ежемесечно или по-често, ако е необходимо.

За техническо обслужване на ауспуха

1. Спрете двигателя и оставете ауспуха да се охлади. Използвайте защитни ръкавици.



2. Свалете капака на ауспуха.
3. Извършете визуална проверка. Сменете филтъра на искрогасителната мрежа, ако е повреден.



За проверка и почистване на системата за охлаждане

Охладителната система включва охлаждащите ребра на цилиндъра и мрежовия филтър на смукателния въздухопровод.

1. Спрете двигателя.

- Уверете се, че системата за охлаждане не е замърсена или запушена. Ако е необходимо, почистете филтъра на смукателния въздухопровод и охладителните ребра.



ВНИМАНИЕ: Замърсената или запушена охладителна система може да повиши температурата на двигателя и доведе до повреждане на продукта. Запушеният филтър на смукателния въздухопровод намалява силата на въздушната струя.

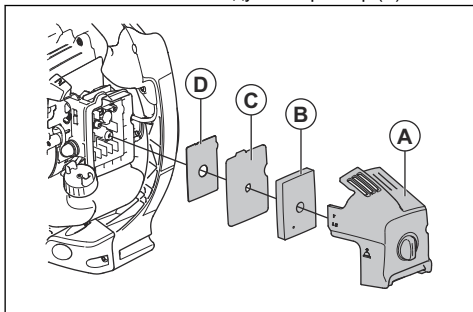
- Проверете охладителната система за повреди. Уверете се, че частите са закрепени нормално към продукта.

Почистване на въздушния филтър



ВНИМАНИЕ: Не използвайте продукт без въздушен филтър или с повреден въздушен филтър. Наличието на прах във въздуха може да повреди двигателя.

- Натиснете смукача до положение "затворен смукач".
- Махнете капака на въздушния филтър (А).



- Отстранете въздушния филтър (В) от рамата на филтъра.
- Почистете въздушния филтър (В) с топла вода и сапун.

Забележка: Въздушен филтър, който е използван продължително, не може да се почисти напълно. Сменяйте редовно въздушния филтър и винаги сменяйте дефектните въздушни филтри.

- Почистете вътрешната повърхност на капака на въздушния филтър (А) с четка.
- Отстранете и сменете филцовия филтър (С), ако е мръсен.
- Монтирайте филтъра (D), филцовия филтър (С) и въздушния филтър (В).
- Монтирайте капака на въздушния филтър (А) към продукта.

Отстраняване на проблеми

Двигателят не може да се стартира		
Проверете	Възможна причина	Решение
Бутон за спиране.	Позиция на спиране	Поставете превключвателя за спиране в стартово положение.
Зъб(ци) на стартера.	Блокиран(и) или износен(и) зъб(ци) на стартера.	Регулирайте или сменете зъба(ците) на стартера.
		Почистете около зъба(ците) на стартера.
		Обърнете се към одобрен сервизен търговец.

Двигателят не може да се стартира		
Проверете	Възможна причина	Решение
Резервоар за гориво.	Неправилен тип гориво.	Източете резервоара за гориво и използвайте подходящо гориво.
Карбуратор.	Регулиране на оборотите на празния ход.	Регулирайте оборотите на празен ход с регулиращия винт за празния ход.
Искра (няма искра).	Запалителната свещ е замърсена или влажна.	Уверете се, че запалителната свещ е суха и чиста.
	Неправилно разстояние между електродите на запалителната свещ.	Почистете запалителната свещ. Уверете се, че разстоянието между електродите е правилно. Уверете се, че запалителната свещ е монтирана със супресор. Направете справка с техническите характеристики за правилното разстояние между електродите.
Запалителна свещ.	Запалителната свещ е разхлабена.	Затегнете запалителната свещ.
	Има нежелан материал върху електродите на запалителната свещ.	Уверете се, че горивната смес е правилна. Уверете се, че въздушният филтър е чист.

Двигателят стартира, но спира отново		
Проверете	Възможна причина	Решение
Резервоар за гориво.	Неподходящ тип гориво.	Източете го и използвайте подходящо гориво.
Карбуратор.	Двигателят не работи нормално при обороти на празния ход.	Говорете с дистрибутора по сервизното обслужване.
Въздушен филтър.	Запушен въздушен филтър.	Почистете въздушния филтър.

Транспорт и съхранение



ПРЕДУПРЕЖДЕНИЕ: За да предотвратите риска от злополука, се уверете, че няма изтичане или газове от горивото по време на транспортиране или съхранение. Уверете се, че няма риск от искри или огън.

- Изпразнете резервоара за гориво преди транспортиране или продължително съхранение. Натиснете купола на горивната помпа, за да се уверите, че е отстранено всичкото гориво. Изхвърлете горивото на подходящо за целта място.
- Преди продължително съхранение се уверете, че продуктът е почистен и е получил цялостно сервизно обслужване.
- Отстранете запалителната свещ и поставете около 15 ml масло за двутактов двигател в цилиндъра. Завъртете продукта 3 пъти и монтирайте отново запалителната свещ.
- Закрепете безопасно продукта към автомобила по време на транспортиране.
- Съхранявайте продукта на сухо, хладно и чисто място с добра вентилация. Дръжте продукта далеч от деца.

Технически характеристики

Технически характеристики

	Husqvarna 525BX
Двигател	
Обем на цилиндъра, cm ³	25,4
Обороти на празния ход, об/мин	3000
Катализатор	Да
Запалителна система	
Запалителна свещ	NGK BPMR8Y
Разстояние между електродите, mm	0,6-0,7
Горивна и смазочна система	
Вместимост на резервоара за гориво, l / cm ³	0,45 / 450
Тегло	
Тегло без гориво, kg	4,4
Шумови емисии⁴	
Ниво на звуковата мощност, измерена dB(A)	104
Ниво на звуковата мощност, гарантирана [L _{WA} dB(A)]	106
Нива на шума⁵	
Еквивалентно ниво на звуковото налягане при ухото на оператора, измерено съгласно EN15503 dB(A):	
Оборудвано с кръгъл накрайник	91
Оборудвано с плосък накрайник	92
Нива на вибрациите⁶	
Еквивалентни нива на вибрации (a _{hV,eq}) при ръкохватките, измерени съгласно EN 15503, m/s ²	
Оборудвано с кръгъл накрайник	1,2
Оборудвано с плосък накрайник	2,0
Работа на вентилатора	
Максимална скорост на въздуха с кръгъл накрайник, m/s	70

⁴ Шумови емисии в околната среда, измерени като звукова мощност (L_{WA}) в съответствие с директива на ЕО 2000/14/ЕО. Отчетените нива на шума за машината са измерени с оригиналното дюза на компресорното оборудване, което дава най-високото ниво. Разликата между гарантираното и измереното ниво на шума е в това, че гарантираното ниво на шума включва също и дисперсията в резултатите от измерването, както и вариациите между различните машини от един и същи модел в съответствие с Директива 2000/14/ЕО.

⁵ Отчетените данни за нивото на звуковото налягане имат типична статистическа дисперсия (стандартно отклонение) от 1,0 dB (A).

⁶ Отчетените данни за нивото на вибрациите имат типична статистическа дисперсия (стандартно отклонение) от 1,0 m/s².

	Husqvarna 525BX
Максимална скорост на въздуха с плосък накрайник, m/s	86
Въздушен поток с кръгъл накрайник, m ³ /min	13
Въздушен поток с плосък накрайник, m ³ /min	10

Декларация за съответствие на ЕО

Декларация за съответствие на ЕО

Husqvarna AB, SE-561 82 Huskvarna, Швеция, тел.: +46-36-146500 удостоверява, че компресорното оборудване **Husqvarna 525BX** със сериен номер от 2016 и нататък (годината е ясно обозначена върху типовата табелка, следвана от серийния номер) отговаря на изискванията на ДИРЕКТИВАТА НА СЪВЕТА:

- от 17 май 2006 г., "свързани с машини" **2006/42/ЕО**.
- от 26 февруари 2014 г., "свързани с електромагнитната съвместимост" **2014/30/ЕС**.
- от 8 май 2000 г., "относно шумовите емисии в околната среда" **2000/14/ЕО**. Оценка за съответствие съгласно приложение V. За информацията относно шумовите емисии направете справка с *Технически характеристики на страница 27*.
- от 08 юни 2011 г. "по отношение на ограничението за използване на определени опасни вещества в електрическо и електронно оборудване" **2011/65/ЕС**.

Приложени са следните стандарти:

EN ISO 12100-2/A1:2009, CISPR 12:2009, EN 15503:2009/A2:2015, EN 50581:2012

RISE SMP Svensk Maskinprovning AB, извърши доброволен типов контрол на моделите от името на Husqvarna AB. Сертификатът е номериран: **SEC/14/2423 – 525BX**

Huskvarna, 2020-01-01



Per Gustafsson, мениджър „Разработки и Развитие“ (оторизиран представител на Husqvarna AB и отговорник за техническата документация)

Sadržaj

Uvod.....	30	Rješavanje problema.....	38
Sigurnost.....	31	Transport i skladištenje.....	39
Sastavljanje.....	33	Tehnički podaci.....	40
Rukovanje.....	34	Izjava EK o usklađenosti.....	42
Održavanje.....	36		

Uvod

Opis proizvoda

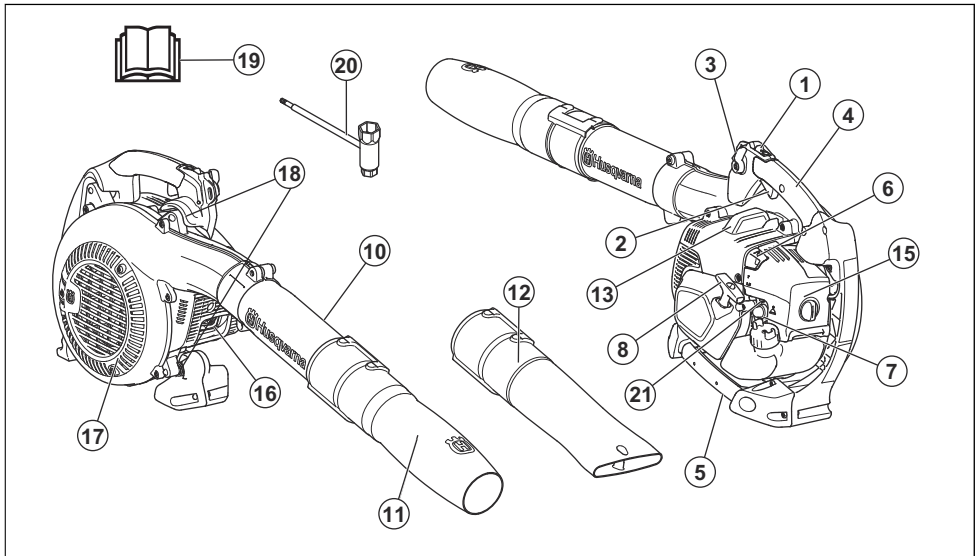
Puhač s motorom pogonjenim gorivom.

Naša politika je da stalno razvijamo vlastite proizvode i zbog toga zadržavamo pravo da mijenjamo dizajn i izgled proizvoda bez prethodnog obavještenja.

Namjena

Koristite proizvod za to raspuhavanje lišća i drugog neželjenog materijala s područja kao što su travnjaci, prilazi i asfaltni putevi.

Pregled proizvoda



1. Prekidač za pokretanje/zaustavljanje
2. Poluga gasa
3. Ručica za gas
4. Kontrolna ručica
5. Ručka
6. Ručica za čok
7. Pumpica
8. Ručka konopa za pokretanje
9. Vijak stezaljke
10. Srednja cijev
11. Okrugla mlaznica
12. Ravni nastavak
13. Svjećica
14. Poklopac rezervoara za gorivo
15. Filter zraka
16. Auspuh
17. Rešetka dovoda zraka
18. Sistem za smanjivanje vibracija
19. Priručnik za rad
20. Kombinirani ključ
21. Vijak praznog hoda

Simboli na proizvodu



UPOZORENJE! Ovaj proizvod može biti opasan i izazvati teške povrede ili smrt operatora i drugih osoba. Budite oprezni i koristite proizvod na pravilan način.



Prije upotrebe pažljivo pročitajte priručnik za rad rukovaoca i vodite računa da vam upute budu jasne.



Koristite odobrenu zaštitu za uši i oči. Ako u okruženju ima prašine, koristite masku za disanje.



Koristite odobrene zaštitne rukavice.



Proizvod ispunjava važeće direktive EZ.



Mješavina benzina i ulja za dvotaktni motor.



Kuglica pumpice za istiskivanje zraka.



Čok, otvoren.



Čok, zatvoren.



Emisije buke u okruženje u skladu s evropskom Direktivom 2000/14/EC i propisom za zaštitu od radova u okruženju (kontrola buke) Novog Južnog Velsa iz 2017. Podaci o emisiji buke nalaze se na

naljepnici mašine i u poglavlju Tehnički podaci.



Čuvajte se odbačenih predmeta. Odbačeni predmeti mogu izazvati teške povrede. Koristite opremu za ličnu zaštitu.



Održavajte sigurnu udaljenost od minimalno 15 m od ljudi i životinja.

yyyyywwxxxxx

Na pločici s oznakom kategorije je prikazan serijski broj. **yyyy** označava godinu proizvodnje, a **ww** označava sedmicu proizvodnje.

Napomena: Drugi simboli/naljepnice na proizvodu odnose se na zahtjeve certifikacije za druga komercijalna područja.

Emisije Euro V



UPOZORENJE: Neovlaštenim otvaranjem proizvoda poništava se EU odobrenje tipa ovog proizvoda.

Odgovornost za proizvod

Kao što je navedeno u zakonima o odgovornosti za proizvod, mi nismo odgovorni za oštećenja koja uzrokuje naš proizvod ako:

- je proizvod pogrešno popravljen.
- je proizvod popravljen koristeći dijelove koji nisu od proizvođača ili koji nisu odobreni od strane proizvođača.
- proizvod ima dodatnu opremu koju nije napravio proizvođač ili koju proizvođač ne odobrava.
- proizvod nije popravljen u nekom od odobrenih servisa ili od strane odobrenog tijela.

Sigurnost

Definicija sigurnosti

Definicije u nastavku daju stepen ozbiljnosti za svaku signalnu riječ.



UPOZORENJE: Ozljede kod osoba.



OPREZ: Oštećenje na proizvodu.

Napomena: Ove informacije čine proizvod lakšim za korištenje.

Opće sigurnosne upute



UPOZORENJE: Prije upotrebe proizvoda pročitajte upozorenja u nastavku.

- Ne vršite izmjene na proizvodu bez odobrenja proizvođača i uvijek koristite originalni pribor. Modifikacije i/ili pribor koji nisu odobreni mogu izazvati teške povrede ili smrt operatera ili drugih osoba.
- Nemojte koristiti oštećen proizvod. Vršite sigurnosne provjere i postupke održavanja navedene u ovom priručniku za rukovaoca. Sve druge poslove održavanja mora vršiti ovlašteno servisno osoblje.
- Sve radnje servisiranja i popravka mora obavljati ovlašteno servisno osoblje. Ako na dijelu proizvoda ima nedostataka, obratite se zastupniku servisa.

Sigurnosna uputstva za rad



UPOZORENJE: Prije upotrebe proizvoda pročitajte upozorenja u nastavku.

- Ovaj proizvod može biti opasan i izazvati teške povrede ili smrt operatora i drugih osoba. Budite oprezni i koristite proizvod na pravilan način.
- Izvršite pregled proizvoda prije korištenja. Pogledajte *Održavanje na strani 36*.
- Nemojte koristiti proizvod kad ste umorni, bolesni ili pod utjecajem alkohola ili drugih droga/lijekova koji vam mogu oslabiti vid, mogućnost rasuđivanja ili koordinaciju.
- Prije korištenja postavite sve poklopce i štitnike. Da biste spriječili strujni udar, provjerite da na kapici svjeće i kابل paljenja nema oštećenja.
- Ne dodirujte svjeću ili kabl paljenja dok motor radi.
- Održavajte sigurnu udaljenost od minimalno 15 m od ljudi i životinja. Ako se ljudi, djeca ili životinje približe na manje od 15 m, zaustavite proizvod. Usmjerite proizvod dalje od ljudi, životinja, otvorenih prozora i drugih predmeta.
- Ne dozvolite djeci da rukuju proizvodom. Pazite da svi rukovaoci pročitaju i s razumijevanjem prouče sadržaj ovog priručnika za rukovaoca.
- Ruke i predmete držite dalje od kućišta puhača tokom rada. Rotirajući dijelovi mogu izazvati teške povrede.
- Nemojte koristiti proizvod ako nije postavljena rešetka dovoda zraka. Prije korištenja uvijek provjerite je li rešetka dovoda zraka i postavljena i ima li na njoj oštećenja.
- Ukoliko nastupi hitna situacija, otkopčajte pojas oko struka i preko grudi i pustite da proizvod padne.
- Pridržavajte se propisa i uredbi date države.
- Dijelove tijela držite dalje od vrućih površina.
- Previše vibracija može uzrokovati oštećenja cirkulatornog ili nervnog sistema. Obratite se ljekaru

ako uočite simptome, npr. trnce, gubitak osjećaja, peckanje, bockanje, bol, gubitak snage promjene boje kože na prstima, rukama ili zglobovima.

- Čuvajte se odbačenih predmeta. Odbačeni predmeti mogu izazvati teške povrede.
- Proizvod nemojte koristiti u lošim vremenskim uslovima kao što su magla, kiša, jak vjetar i velika hladnoća. Rad po lošem vremenu može izazvati umor i može dovesti do stvaranja opasnih uslova.
- Provjerite možete li se kretati i ostati u stabilnom položaju. Pregledajte ima li u području rada mogućih prepreka, npr. kamenja. Budite oprezni ako proizvod koristite na padini.
- Ne spuštajte proizvod na tlo dok motor radi.
- Ne koristite proizvod na visini, npr. na ljestvama.
- Pazite da vas neko drugi može čuti u slučaju da se desi nezgoda.
- Provjerite da izlaz ispušnih plinova nije blokiran. Da bi se spriječila oštećenja proizvoda, prepreke držite na udaljenosti od minimalno 50 cm od izlaza ispušnih plinova.
- Nemojte pokretati proizvod u zatvorenom prostoru, u području u kojem je slabo strujanje zraka ili u blizini zapaljivih materijala. Ispušni plinovi motora sadrže ugljični monoksid, koji može izazvati trovanje. Ispušni plinovi motora su vrući i u njima može biti iskraka koje mogu izazvati požar.

Oprema za ličnu zaštitu



UPOZORENJE: Prije upotrebe proizvoda pročitajte upozorenja u nastavku.

- Koristite odobrenu opremu za ličnu zaštitu kad koristite proizvod. Oprema za ličnu zaštitu ne može u potpunosti spriječiti povrede, ali može smanjiti stepen povreda. Više informacija potražite od prodajnog zastupnika.
- Koristite odobrenu zaštitu sluha. Dugotrajno izlaganje buci može izazvati trajno oštećenje sluha.
- Koristite odobrenu zaštitu za oči. Ako koristite vizir, morate koristiti i odobrene zaštitne naočale. Odabrane zaštitne naočale moraju zadovoljavati standard ANSI Z87.1 u SAD-u ili EN 166 u zemljama EU.
- Koristite zaštitne rukavice tokom rada i postupaka održavanja.
- Nosite zaštitne čizme ili cipele s protukliznim đonom.
- Nosite odjeću od jakog platna i pune dužine. Nemojte nositi nakit ili otvorenu obuću. Da bi se smanjio rizik od povreda, odjeća vam mora biti priprijena uz tijelo, ali ne smije ograničavati kretanje. Kosu povežite iznad ramena kako bi se spriječilo da vam kosa dospije među rotirajuće dijelove ili zapne za grane.
- Koristite zaštitnu opremu za disajne organe ako postoji rizik od stvaranja prašine.
- Držite komplet za pružanje prve pomoći u blizini.

Sigurnosna sredstva na proizvodu



UPOZORENJE: Prije upotrebe proizvoda pročitajte upozorenja u nastavku.

- Nemojte koristiti proizvod s neispravnim sigurnosnim sredstvima.
- Redovno provjeravajte sigurnosna sredstva. Pogledajte *Održavanje na strani 36*.
- Ukoliko sigurnosno sredstvo nije ispravno, obratite se svom Husqvarna zastupniku servisa.

Provjera lonca auspuha



UPOZORENJE: Nemojte koristiti proizvod s oštećenim loncem auspuha.



UPOZORENJE: Prilikom rada i nakon rada te tokom praznog hoda, lonac auspuha se jako zagrije. Koristite zaštitne rukavice da spriječite opekotine.



UPOZORENJE: Unutrašnjost lonca auspuha sadrži hemikalije koje mogu biti kancerogene. Nemojte dodirivati lonac auspuha ako je vruć.

- Redovno vršite vizuelne provjere lonca auspuha. Lonac auspuha snižava nivo buke na najmanju moguću mjeru i dio ispušnih gasova šalje dalje od rukovaoca. Pogledajte *Održavanje lonca auspuha na strani 37*.

Provjera sistema ublažavanja vibracija

1. Vodite računa da na jedinicama za umanjivanje vibracija nema pukotina ili deformacija.
2. Vodite računa da su jedinice za umanjivanje vibracija sigurno pričvršćene između motora i ručke.

Informacije o položaju sistema za ublažavanje vibracija na vašem proizvodu pogledajte u *Pregled proizvoda na strani 30*.

Provjera prekidača za pokretanje/zaustavljanje

1. Pritisnite prekidač za pokretanje/zaustavljanje da zaustavite motor.

2. Provjerite da li se motor u potpunosti zaustavlja.

Položaj prekidača za pokretanje/zaustavljanje na proizvodu potražite u odjeljku *Pregled proizvoda na strani 30*.

Sigurnosne mjere pri rukovanju gorivom



UPOZORENJE: Prije upotrebe proizvoda pročitajte upozorenja u nastavku.

- Nemojte miješati ili dodavati gorivo u zatvorenoj prostoriji ili u blizini izvora toplote.
- Nemojte pokretati proizvod ako ste po tijelu prolili gorivo ili ulje.
- Nemojte pokretati proizvod ako iz motora curi gorivo. Redovno provjeravajte ima li na motoru tragova curenja goriva.
- Uvijek budite oprezni pri rukovanju gorivom. Gorivo je zapaljivo i pare goriva su eksplozivne te mogu izazvati teške povrede ili smrt.
- Nemojte udisati pare od goriva, to može izazvati povredu. Uvjerite se da ima dovoljno protoka zraka.
- Nemojte pušiti u blizini goriva ili motora.
- Nemojte stavljati proizvod ili spremnik za gorivo blizu vrućih predmeta, otvorenog plamena, iskra ili plinskog plamena.
- Uvijek koristite odobrene posude za skladištenje i transport goriva.

Sigurnosna uputstva za održavanje



UPOZORENJE: Prije upotrebe proizvoda pročitajte upozorenja u nastavku.

- Zaustavite motor, skinite svječicu i pustite da se motor ohladi prije vršenja radnji održavanja i sklapanja.
- Blokirana zaštitna mrežica svječice uzrokuje pregrijavanje motora što izaziva oštećenja na motoru.
- Ako se mrežica svječice često začepljuje, to može biti znak da katalizator radi slabije. Obratite se ovlaštenom servisu da pregleda lonac auspuha.

Sastavljanje

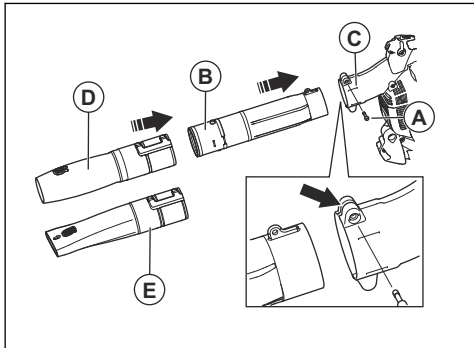
Uvod



UPOZORENJE: Pročitajte i proučite poglavlje za sigurnosna uputstva prije nego što sastavite proizvod.

Montiranje cijevi puhača

1. Otpustite vijak stezaljke (A).



2. Postavite središnju cijev (B) na cijev za ispuhivanje (C).
3. Postavite i pritegnite vijak stezaljke (A).
4. Postavite okruglu mlaznicu (D) ili ravnu mlaznicu (E) na središnju cijev.

Rukovanje

Uvod



UPOZORENJE: Prije upotrebe proizvoda, s razumijevanjem pročitajte poglavlje o sigurnosti.

Gorivo

Ovaj proizvod ima dvotaktni motor.



OPREZ: Nepravilno gorivo može uzrokovati oštećenje motora. Koristite mješavinu benzina i ulja za dvotaktni motor.

Pripremljena smješa goriva

- Za najbolje rezultate i duži radni vijek motora, koristite pripremljenu smješu goriva Husqvarna. Takvo gorivo sadrži manje opasne hemikalije od običnog goriva, čime se smanjuju opasni ispušni dimovi. S takvim gorivom, količina ostataka nakon sagorijevanja je manja, zbog čega sastavni dijelovi motora budu čišći.

Miješanje goriva

Benzin

- Koristite bezolovni benzin dobrog kvaliteta s maksimalnim sadržajem etanola do 10%.



OPREZ: Nemojte koristiti benzin čiji oktanski broj je manji od 90 RON/87 AKI. Upotrebom goriva koje ima manji oktanski broj može izazvati kuckanje u motoru te oštećenje istog.

Ulje za dvotaktnne motore

- Za najbolje rezultate i rada koristite Husqvarna ulje za dvotaktnne motore.
- Ukoliko Husqvarna ulje za dvotaktnne motore nije dostupno, koristite kvalitetno ulje za dvotaktnne motore sa zračnim hlađenjem. Obratite se zastupniku servisa za odabir pravilnog ulja.



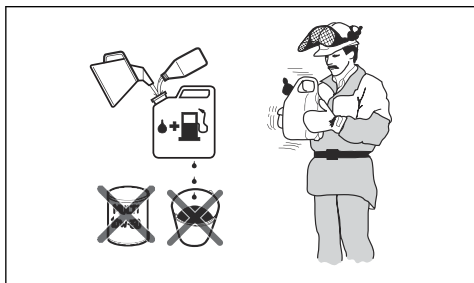
OPREZ: Nemojte koristiti ulje za vanbrodske dvotaktnne motore s vodenim hlađenjem, koji se nazivaju i vanbrodski. Nemojte koristiti ulje za četverotaktnne motore.

Miješanje benzina i ulja za dvotaktnne motore

Benzin, litar	Ulje za dvo- taktnne motore, litar
	2% (50:1)
5	0,10
10	0,20
15	0,30
20	0,40



OPREZ: Ukoliko pravite malu količinu smješe, male greške mogu drastično poremetiti omjer smješe. Pravilno izmjerite količinu ulja i vodite računa da dobijete pravilnu smješu.



1. Naspite pola količine benzina u čistu posudu za gorivo.
2. Dodajte punu količinu ulja.
3. Protresite smještu goriva.
4. Dodajte preostalu količinu benzina u posudu.
5. Protresite smještu goriva.



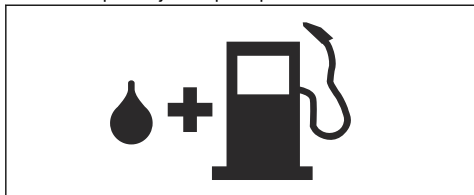
OPREZ: Nemojte miješati gorivo više od jednom mjesečno.

Da biste napunili spremnik za gorivo



UPOZORENJE: Pridržavajte se postupka navedenog u nastavku radi vlastite sigurnosti.

1. Zaustavite motor i pustite ga da se ohladi.
2. Očistite područje oko poklopca rezervoara.



3. Protresite posudu i provjerite je li gorivo dobro izmiješano.
4. Pažljivo uklonite poklopac spremnika za gorivo kako biste oslobodili pritisak.
5. Napunite spremnik za gorivo.



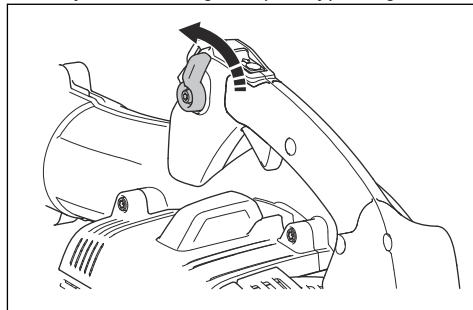
OPREZ: Pazite da u spremniku nema puno goriva. Gorivo se širi kada postane vruće.

6. Pažljivo pritegnite poklopac rezervoara za gorivo.
7. Obrišite gorivo proliveno po proizvodu i oko proizvoda.
8. Prije pokretanja motora, proizvod odmaknite na udaljenost od najmanje 3 m / 10 stopa od područja gdje se gorivo sipa i gdje je izvor goriva.

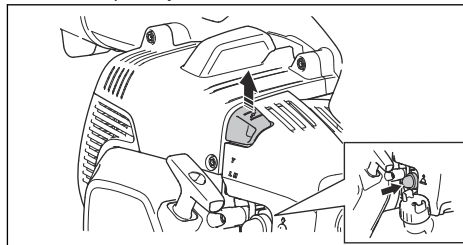
Napomena: Položaj rezervoara za gorivo na proizvodu potražite u odjeljku *Uvod na strani 30*.

Pokretanje proizvoda

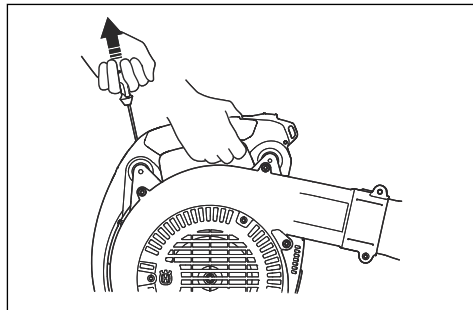
1. Pomjerite komandu gasa u položaj praznog hoda.



2. Ako je motor hladan, stavite regulator čoka u zatvoren položaj.



3. Pritišćite kuglicu pumpice za istiskivanje zraka dok se kuglica ne počne puniti gorivom. Nije neophodno da se pumpica za istiskivanje zraka napuni u potpunosti.
4. Stavite proizvod na ravnu površinu na tlo.
5. Proizvod uhvatite desnom rukom.



OPREZ: Nemojte proizvod učvršćivati stavljanjem nogu na njega.

6. Polako vucite ručku užeta pokretača dok se ne javi otpor.

7. Brzo povucite ručicu užeta pokretača lijevom rukom. Povlačite užu pokretača dok se motor ne pokrene.

Napomena: Nemojte povlačiti užu pokretača do kraja i nemojte ispuštati ručku užeta pokretača.

8. Ako je motor hladan, stavite regulator čoka u otvoreni položaj.
9. Ako je motor hladan, ostavite ga da radi 2-3 minute kako bi se zagrijao prije početka obavljanja posla.



UPOZORENJE: Kad je motor pokrenut i kad je proizvoda ostavljen da radi na broju obrtaja u praznom hodu, ispušta se zrak. Ne dajte da se druge osobe približavaju proizvodu ili cijevi puhača.

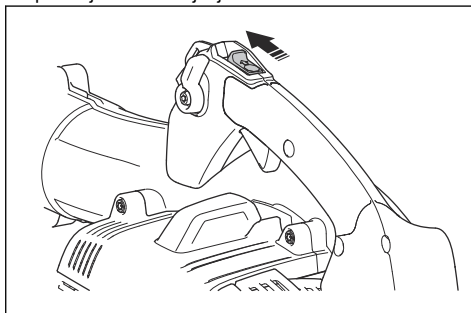
- Koristite odgovarajuće baštenske alate kako biste materijal odvojili od tla.
- U područjima u kojima ima prašine, koristite opremu za prskanje kako biste navlažili dato područje. Time se skraćuje vrijeme rada.
- Nakon završetka posla, proizvod uskladištite u vertikalnom položaju.

Zaustavljanje motora



OPREZ: Ne zaustavljajte proizvod dok radi punom brzinom.

- Prekidač za pokretanje/zaustavljanje prebacite u položaj za zaustavljanje.



Rad s uređajem

- Proizvod koristite tokom uobičajenog radnog vremena. Poštujte lokalne zakone.
- Smanjite broj komada opreme i odaberite odgovarajuću brzinu za dati zadatak. Koristite gas najmanje moguće snage kako bi se spriječili stvaranje više buke i prašine nego što je neophodno.
- Mlaznicu puhača držite blizu tla.

Napomena: Husqvarna preporučuje da koristite puni produžetak za mlaznicu puhača.

- Obratite pažnju na smjer vjetra i proizvod koristite u smjeru vjetra.

Održavanje

Uvod



UPOZORENJE: Prije održavanja proizvoda pročitajte s razumijevanjem poglavlje o sigurnosti.

Plan održavanja

Održavanje	Dnevno	Sedmično	Mjesečno
Očistite vanjske površine.	X		
Provjerite radi li komanda gasa pravilno.	X		
Provjerite radi li prekidač za pokretanje/zaustavljanje pravilno. Pogledajte <i>Provjeru prekidača za pokretanje/zaustavljanje na strani 33</i> .	X		
Pregledajte ima li curenja na motoru, rezervoaru za gorivo i dovodu goriva. Provjerite crijevo goriva radi kontaminacije. Zamijenite filter za gorivo ako je potrebno.	X		
Očistite filter za zrak. Zamijenite filter za zrak ako je potrebno.	X		
Pritegnite matice i vijke.	X		
Pregledajte ulaz zraka i provjerite da nije blokiran.	X		

Održavanje	Dnevno	Sedmično	Mjesečno
Pregledajte ima li oštećenja na starteru motora i konopu za pokretanje.		X	
Pregledajte ima li na jedinicama za ublažavanje vibracija oštećenja, pukotina ili deformacija. Provjerite jesu li jedinice za ublažavanje vibracija pravilno postavljene.		X	
Provjerite svječicu. Pogledajte <i>Provjera svječica na strani 37.</i>		X	
Očistite sistem za hlađenje.		X	
Očistite vanjsku površinu karburatora i prostor oko njega.		X	
Očistite spremnik za gorivo.			X
Ispitajte sve kablove i spojeve.			X
Pregledajte i očistite mrežicu za zaštitu od iskrenja na loncu auspuha (za proizvode s katalizatorom).		X	
Pregledajte i očistite mrežicu za zaštitu od iskrenja na loncu auspuha (za proizvode bez katalizatora).			X
Zamijenite svječicu. Provjerite je li na svječici postavljen potiskivač.			X

Podešavanje brzine u praznom hodu

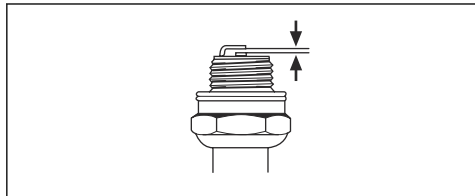
1. Provjerite je li filter za zrak čist i je li postavljen poklopac filtera.
2. Broj obrtaja u praznom hodu podesite pomoću vijka za podešavanje broja obrtaja u praznom hodu. Položaj vijka za broj obrtaja u praznom hodu na proizvodu prikazan je u odjeljku *Pregled proizvoda na strani 30.*

Provjera svječica



OPREZ: Koristite preporučene svječice. Pogledajte *Provjera svječica na strani 37.* Nepravilna svječica može izazvati oštećenje na proizvodu.

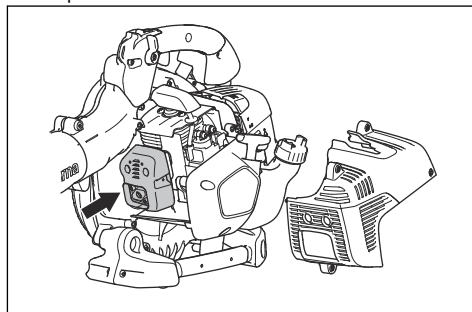
1. Zaustavite motor i pustite da se uređaj ohladi.
2. Očistite svječicu ako je prljava.
3. Vodite računa da zazor elektrode bude ispravan. Pogledajte *Tehnički podaci na strani 40.*



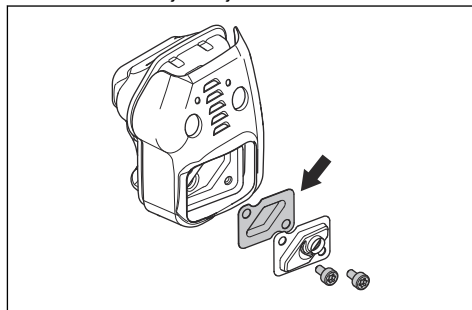
4. Svječicu mijenjajte svakog mjeseca ili češće ako je potrebno.

Održavanje lonca auspuha

1. Zaustavite motor i pustite da se ohladi lonac auspuha. Koristite zaštitne rukavice.



2. Uklonite poklopac lonca auspuha.
3. Izvršite vizuelnu provjeru. Zamijenite mrežicu za zaštitu od iskrenja ako je oštećena.



Pregled i čišćenje rashladnog sistema

Rashladni sistem obuhvata rashladna rebra na cilindru i rešetki dovoda zraka.

1. Zaustavite motor.
2. Vodite računa da rashladni sistem ne bude prljav ili zakrčen. Ako je potrebno, očistite rešetku dovoda zraka i rashladna rebra.



OPREZ: Ako je rashladni sistem prljav ili blokiran, može doći do povećavanja temperature motora i oštećenja proizvoda. Začepljenje rešetke dovoda zraka izaziva smanjenje snage puhanja.

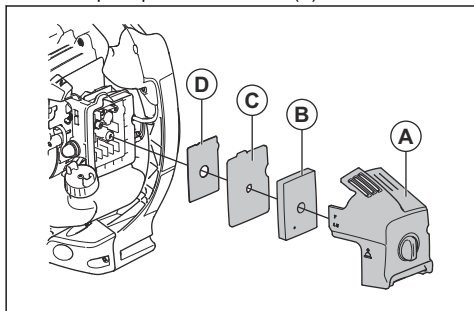
3. Pregledajte ima li oštećenja rashladnog sistema. Provjerite jesu li dijelovi pravilno postavljeni na proizvod.

Čišćenje filtera za zrak



OPREZ: Nemojte koristiti proizvod na kojem nema filtera za zrak ili na kojem je filter za zrak oštećen. Prašina u zraku može izazvati oštećenja proizvoda.

1. Pomjerite ručicu čoka u zatvoreni položaj.
2. Skinite poklopac filtera za zrak (A).



3. S okvira filtera skinite filter za zrak (B).
4. Očistite filter za zrak (B) toplom vodom i sapunom.

Napomena: Filter za zrak koji se koristi duže vrijeme nije moguće potpuno očistiti. Redovno mijenjajte filter za zrak i uvijek zamijenite neispravan filter za zrak.

5. Očistite unutrašnju površinu poklopca filtera za zrak (A) četkicom.
6. Izvadite i zamijenite filcani filter (C) ako je prljav.
7. Postavite mrežicu (D), filcani filter (C) i filter za zrak (B).
8. Postavite poklopac filtera za zrak (A) na proizvod.

Rješavanje problema

Motor se ne može pokrenuti		
Provjeri	Mogući uzrok	Rješenje
Dugme za zaustavljanje.	Položaj za zaustavljanje	Prekidač za zaustavljanje postavite u položaj za pokretanje.
Zapinjači pokretača	Blokirani ili istrošeni zapinjači pokretača.	Podesite ili zamijenite zapinjače pokretača.
		Očistite prostor oko zapinjača pokretača.
		Obratite se servisnom zastupniku.

Motor se ne može pokrenuti		
Provjeri	Mogući uzrok	Rješenje
Rezervoar za gorivo.	Neodgovarajuća vrsta goriva.	Ispraznite rezervoar za gorivo i koristite odgovarajuću vrstu goriva.
Karburator	Podešavanje broja obrtaja u praznom hodu.	Podesite broj obrtaja pomoću vijka za podešavanje praznog hoda.
Iskra (nema iskre).	Prijava ili vlažna svjećica.	Vodite računa da svjećica bude čista i suha.
	Zazor između elektroda na svjećici je nepravilan.	Očistite svjećicu. Vodite računa da zazor između elektroda bude pravilan. Provjerite je li na svjećicu postavljen potiskivač. Podatke o odgovarajućem zazoru između elektroda potražite u tehničkim podacima.
Svjećica.	Svjećica je labava.	Pritegnite svjećicu.
	Na elektrodamma svjećice ima neželjenog materijala.	Provjerite je li mješavina goriva ispravna. Provjerite je li filter za zrak čist.

Motor se pokreće, ali se ponovo zaustavlja		
Provjeri	Mogući uzrok	Rješenje
Rezervoar za gorivo.	Neodgovarajuća vrsta goriva.	Ispraznite ga i koristite odgovarajuće gorivo.
Karburator	Motor ne radi pravilno na broju obrtaja u praznom hodu	Obratite se servisnom zastupniku.
Filter za zrak.	Začepljen filter za zrak.	Očistite filter za zrak.

Transport i skladištenje



UPOZORENJE: Da biste otklonili rizik od požara, provjerite da nema curenja ili isparavanja tokom transporta ili skladištenja. Provjerite da ne postoji rizik od iskenja ili vatre.

- Ispraznite spremnik za gorivo prije transporta ili dugotrajnog skladištenja. Pritisnite kuglicu pumpice za istiskivanje zraka kako biste uklonili svo gorivo. Odložite gorivo na odgovarajuće mjesto za odlaganje.
- Prije dugotrajnog skladištenja pregledajte je li proizvod čist i provjerite je li izvršeno puno servisiranje.
- Skinite svjećicu i ulijte otprilike 15 ml ulja za dvotaktne motore u cilindar. Okrenite proizvod 3 puta i ponovo postavite svjećicu.
- Proizvod dobro učvrstite za vozilo tokom transporta.
- Proizvod držite na suhom, hladnom i čistom mjestu s dobrom ventilacijom. Proizvod držite van domašaja djece.

Tehnički podaci

Tehnički podaci

	Husqvarna 525BX
Motor	
Volumen cilindra cm ³	25,4
Broj obrtaja u praznom hodu, o/min	3000
Katalizator	Da
Sistem paljenja	
Svjećica	NGK BPMR8Y
Zazor elektroda, mm	0,6 - 0,7
Sistem napajanja gorivom i podmazivanje	
Kapacitet rezervoara za gorivo, l / cm ³	0,45 / 450
Masa	
Težina bez goriva, kg	4,4
Emisija buke⁷	
Nivo jačine zvuka mjeren u dB (A)	104
Nivo jačine zvuka, garantirani L _{WA} dB(A)	106
Nivoi jačine zvuka⁸	
Ekvivalentni nivo pritiska zvuka na uho rukovaoca izmjeren u skladu sa standardom EN15503 dB(A):	
S okruglom mlaznicom	91
S ravnom mlaznicom	92
Nivoi vibracija⁹	
Ekvivalent nivoa vibracija (a _{hV,eq}) na ručkama, mjereno u skladu sa standardom EN 15503, m/s ²	
S okruglom mlaznicom	1,2
S ravnom mlaznicom	2,0
Performanse ventilatora	
Maksimalna brzina strujanja zraka s okruglom mlaznicom, m/s:	70
Maksimalna brzina strujanja zraka s ravnom mlaznicom, m/s:	86
Protok zraka s okruglom mlaznicom, m ³ /min	13

⁷ Emisije buke u okruženju mjerene kao jačina zvuka (L_{WA}) u skladu s Direktivom EC 2000/14/EZ. Navedeni nivo jačine zvuka izmjeren je s originalnim mlaznicu puhala koji proizvodi najveći nivo. Razlika između garantirane i izmjerene jačine zvuka je u tome da garantirana jačina zvuka obuhvata i disperziju rezultata mjerenja i varijacije između različitih mašina istog modela u skladu s Direktivom 2000/14/EZ.

⁸ Zabilježeni podaci nivoa pritiska buke posjeduju tipičnu statičku disperziju (standardno odstupanje) od 1,0 dB(A).

⁹ Objavljeni podatak za nivo vibracija ima tipičnu statističku disperziju (standardno odstupanje) od 1,0 m/s².

	Husqvarna 525BX
Protok zraka s ravnom mlaznicom, m ³ /min	10

Izjava EK o usklađenosti

Izjava o usklađenosti s propisima EZ

Husqvarna AB, SE-561 82 Huskvarna, Švedska, tel: +46-36-146500, izjavljuje da je puhač **Husqvarna 525BX** sa serijskim brojevima iz 2016. godine i kasnije (godina je jasno navedena na pločici kategorizacije, nakon koje je naveden serijski broj), usklađen sa zahtjevima DIREKTIVE VIJEĆA:

- od 17. maja 2006. godine "za mašinski dio" **2006/42/EC**.
- od 26. februara 2014. godine "u vezi s elektromagnetskom kompatibilnošću" **2014/30/EU**.
- od 8. maja 2000. godine "za emisiju buke u životnu sredinu" **2000/14/EC**. Procjena usklađenosti prema Aneksu V. Za informacije koje se tiču emisije buke pogledajte *Tehnički podaci na strani 40*.
- od 8. juna 2011. "o ograničenju upotrebe određenih opasnih tvari u električnoj i elektronskoj opremi" **2011/65/EU**.

Primijenjeni su sljedeći standardi:

EN ISO 12100-2/A1:2009, CISPR 12:2009, EN 15503:2009/A2:2015, EN 50581:2012

RISE SMP Svensk Maskinprovning AB, je u ime kompanije Husqvarna AB AB izvršio vlastito ispitivanje. Certifikat je označen brojem: **SEC/14/2423** - 525BX

Huskvarna, 2020-01-01



Per Gustafsson, menadžer razvoja (Ovlašteni predstavnik kompanije Husqvarna AB i odgovorna osoba za tehničku dokumentaciju)

Obsah

Úvod.....	43	Odstraňování problémů.....	52
Bezpečnost.....	44	Přeprava a skladování.....	53
Montáž.....	47	Technické údaje.....	54
Provoz.....	47	ES Prohlášení o shodě.....	56
Údržba.....	49		

Úvod

Popis výrobku

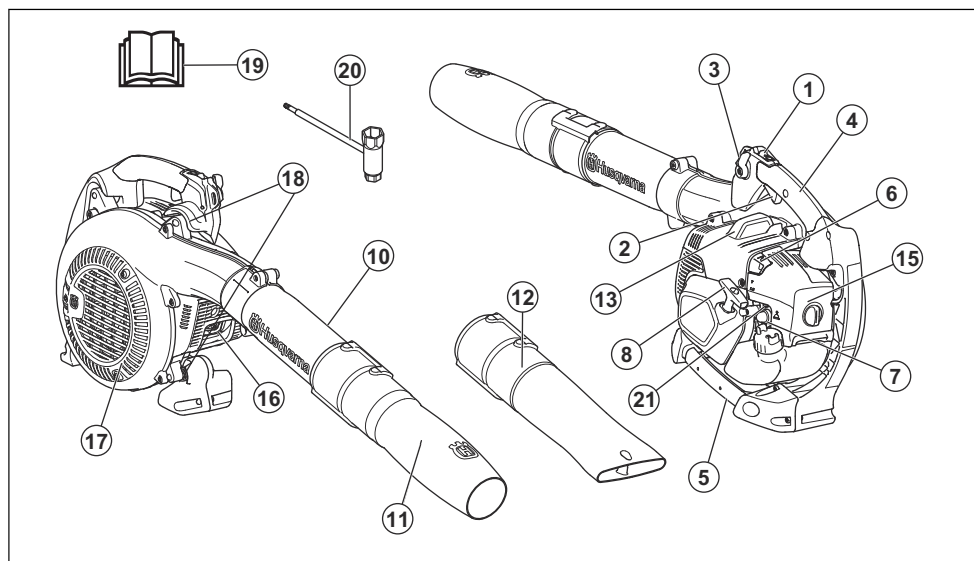
Tento výrobek je foukač se spalovacím motorem.

Řídíme se strategií neustálého vývoje výrobku, a proto si vyhrazujeme právo měnit konstrukci a vzhled výrobků bez předchozího upozornění.

Doporučené použití

Produkt se používá k vyfoukání listů a dalšího nežádoucího materiálu z oblastí jako jsou trávníky, chodníky a asfaltové silnice.

Popis výrobku



- | | |
|------------------------|-------------------------------|
| 1. Vypínač | 12. Trubka s plochou hubicí |
| 2. Páčka plynu | 13. Zapalovací svíčka |
| 3. Ovládání plynu | 14. Víčko palivové nádrže |
| 4. Ovládací rukojeť | 15. Vzduchový filtr |
| 5. Rukojeť | 16. Tlumič výfuku |
| 6. Ovládání sytiče | 17. Sítko nasávaného vzduchu |
| 7. Palivová pumpička | 18. Systém tlumení vibrací |
| 8. Rukojeť startéru | 19. Návod k používání |
| 9. Upínací šroub | 20. Kombinovaný klíč |
| 10. Střední díl trubky | 21. Šroub volnoběžných otáček |
| 11. Kulatá tryska | |

Symbols na výrobku



VAROVÁNÍ! Tento výrobek může být nebezpečný a způsobit obduze či dalším osobám vážné zranění. Buďte opatrní a výrobek používejte správně.



Před použitím si pozorně prostudujte tento návod k používání a nepoužívejte výrobek, pokud návodu zcela nerozumíte.



Vždy používejte schválenou ochranu sluchu a schválenou ochranu očí. Pokud je v prostředí prach, použijte dýchací masku.



Používejte schválené ochranné rukavice.



Tento výrobek vyhovuje příslušným směrnicím ES.



Smíchejte benzin a olej pro dvoudobé motory.



Pomocná palivová pumpička.



Sytič, otevřená poloha.



Sytič, uzavřená poloha.



Emise hluku do životního prostředí podle směrnice EU 2000/14/ES a podle nařízení o regulaci hluku v australském Novém Jižním Walesu „Protection of the Environment Operations (Noise Control) Regulation 2017“. Údaje o emisích hluku

naleznete na štítku stroje a v kapitole Technické údaje.



Dejte pozor na odmrštěné předměty. Odmrštěné předměty mohou způsobit vážné zranění. Používejte osobní ochranné pomůcky.



Udržujte bezpečnou vzdálenost nejméně 15 m od osob nebo zvířat.

yyyywwxxxx

Typový štítek s výrobním číslem. Údaj **yyyy** znamená rok výroby, údaj **ww** znamená týden výroby.

Povšimněte si: Další symboly/štítky na produktu se týkají certifikačních požadavků pro další komerční oblasti.

Emise Euro V



VÝSTRAHA: Manipulace s motorem vede k zneplatnění typového schválení EU tohoto výrobku.

Odpovědnost za výrobek

Jak uvádí zákon o odpovědnosti za výrobek, neneseme odpovědnost za žádnou škodu způsobenou naším výrobkem, pokud:

- byl výrobek nesprávně opraven.
- byl výrobek opraven pomocí součástí od jiného výrobce nebo součástí, které nejsou výrobcem schváleny.
- má výrobek příslušenství od jiného výrobce nebo příslušenství, které není výrobcem schváleno.
- výrobek nebyl opraven ve schváleném servisním středisku nebo schváleným odborníkem.

Bezpečnost

Definice týkající se bezpečnosti

Níže uvedené definice uvádí úroveň vážnosti jednotlivých signálních slov.



VÝSTRAHA: Zranění osob.



VAROVÁNÍ: Poškození výrobku.

Povšimněte si: Díky těmto informacím je používání výrobku snazší.

Obecné bezpečnostní pokyny



VÝSTRAHA: Před použitím výrobku si přečtěte následující varování.

- Neprovádějte na výrobku změny bez souhlasu výrobce a vždy používejte originální příslušenství. Nezhválené úpravy nebo příslušenství mohou vést k vážnému nebo smrtelnému zranění obsluhy a dalších osob.
- Nepoužívejte poškozený výrobek. Provádějte bezpečnostní kontroly a údržbu podle tohoto návodu k používání. Veškerou ostatní údržbu musí provést oprávnění servisní pracovníci.
- Veškerý servis a opravy musí provádět oprávnění servisní pracovníci. Pokud je některá část výrobku vadná, obraťte se na servisního prodejce.

Bezpečnostní pokyny pro provoz



VÝSTRAHA: Před použitím výrobku si přečtěte následující varování.

- Tento výrobek může být nebezpečný a způsobit obsluze či dalším osobám vážné zranění. Budte opatrní a výrobek používejte správně.
- Před použitím výrobek zkontrolujte. Další informace jsou uvedeny v části *Údržba na straně 49*.
- Nikdy výrobek nepoužívejte, jste-li unavení, nemocní nebo pod vlivem léků, alkoholu nebo drog, které mohou negativně ovlivnit váš zrak, úsudek a koordinaci pohybů.
- Před použitím nainstalujte všechny kryty. Aby nedošlo k úrazu elektrickým proudem, zkontrolujte, zda není poškozena koncovka kabelu zapalovací svíčky a kabel zapalování.
- Při spuštění motoru se nedotýkejte zapalovací svíčky ani zapalovacího kabelu.
- Udržujte bezpečnou vzdálenost nejméně 15 m od osob nebo zvířat. Pokud se osoby, děti nebo zvířata přiblíží na méně než 15 m, zastavte výrobek. Výrobek mířte mimo osoby, zvířata, otevřená okna a další předměty.
- Nenechte děti obsluhovat výrobek. Zajistěte, aby si všichni uživatelé přečetli návod k používání a pochopili jeho obsah.
- Během provozu udržujte ruce a jiné předměty v dostatečné vzdálenosti od škrtné foukače. Rotující části mohou způsobit vážné zranění.
- Nepoužívejte výrobek, pokud není nainstalováno sítko nasávaného vzduchu. Před použitím se vždy ujistěte, že je nainstalováno sítko nasávaného vzduchu a není poškozené.
- V případě nouze uvolněte bederní a hrudní popruh postroje a nechte výrobek spadnout.
- Dodržujte státní předpisy a směrnice.

- Udržujte všechny části těla v bezpečné vzdálenosti od horkých povrchů.
- Příliš velké vibrace mohou způsobit poškození krevního oběhu nebo nervové soustavy. Pokud máte příznaky, například necitlivost, ztrátu citu, mravenčení, píchání, bolest, ztrátu síly nebo změny barvy pokožky na prstech, rukou nebo zápěstí, poraďte se se svým lékařem.
- Dejte pozor na odmrštěné předměty. Odmrštěné předměty mohou způsobit vážné zranění.
- Nepoužívejte výrobek za špatného počasí, například v mlze, dešti, silném větru nebo silném mrazu. Práce za špatného počasí může mít za následek únavu a nebezpečné podmínky.
- Přesvědčte se, že se můžete pohybovat a udržovat stabilní polohu. Zkontrolujte, zda v pracovní oblasti nejsou nějaké překážky, například kameny. Buďte opatrní při používání výrobku na svahu.
- Nepokládejte výrobek na zem, když je spuštěný motor.
- Nepoužívejte výrobek z vysoko položených míst, například na žebříku.
- Zajistěte, abyste v případě nehody mohli vždy přivolat pomoc.
- Zkontrolujte, zda není výstup výfukových plynů zablokovaný. Aby nedošlo k poškození výrobku, udržujte překážky ve vzdálenosti minimálně 50 cm od výstupu výfukových plynů.
- Nestartujte výrobek uvnitř budov, ve špatně větraných prostorech ani v blízkosti hořlavých materiálů. Výfukové plyny motoru obsahují kyslíčnick uheľnatý, který může způsobit otravu. Výfukové plyny motoru jsou horké a mohou obsahovat jiskry, které by mohly zažehnout požár.

Osobní ochranné prostředky



VÝSTRAHA: Před použitím výrobku si přečtěte následující varování.

- Při použití výrobku je nutné používat schválené osobní ochranné prostředky. Osobní ochranné prostředky nemohou zcela eliminovat nebezpečí úrazu, ale pomáhají snížit míru poranění. Další informace získáte u svého prodejce.
- Vždy používejte schválenou ochranu sluchu. Dlouhodobé vystavení hluku může vést k trvalému poškození sluchu.
- Vždy používejte schválenou ochranu očí. Použijete-li štít, je nutno použít i schválené ochranné brýle. Schválené ochranné brýle musí být v souladu s normou ANSI Z87.1 v USA nebo EN 166 v zemích EU.
- Během provozu a údržby používejte ochranné rukavice.
- Používejte ochrannou obuv s protiskluzovými podrážkami.

- Používejte oděv z pevné tkaniny s dlouhými nohavicemi a rukávy. Nenoste šperky ani otevřené boty. Aby se snížilo nebezpečí zranění, oděv musí být přiléhavý, ale nesmí vás omezovat v pohybu. Stáhněte si vlasy nad ramena, aby se nemohly dostat do rotujících částí nebo se zachytit ve větvích.
- Pokud hrozí nebezpečí vdechování prachu, použijte ochranu dýchacích cest.
- Mějte při ruce lékárníčku.

Bezpečnostní zařízení na produktu



VÝSTRAHA: Před použitím výrobku si přečtěte následující varování.

- Nepoužívejte výrobek, jehož bezpečnostní zařízení jsou vadná!
- Pravidelně kontrolujte bezpečnostní zařízení. Další informace naleznete v části *Údržba na strani 49*.
- Pokud je bezpečnostní zařízení vadné, obraťte se na servisního prodejce Husqvarna.

Kontrola tlumiče výfuku



VÝSTRAHA: Nepoužívejte výrobek s vadným tlumičem výfuku.



VÝSTRAHA: Tlumič výfuku se za provozu velmi zahřívá, a to i při volnoběžných otáčkách. Používejte ochranné rukavice, abyste zabránili popáleninám.



VÝSTRAHA: Vnitřní strana tlumiče výfuku obsahuje chemikálie, které mohou být karcinogenní. Nedotýkejte se tlumiče výfuku, pokud je poškozený.

- Pravidelně vizuálně kontrolujte tlumič výfuku. Tlumič výfuku je určen k omezení úrovně hluku na minimum a k usměrnění výfukových plynů směrem od obsluhy. Další informace jsou uvedeny v části *Údržba tlumiče výfuku na strani 51*.

Kontrola systému tlumení vibrací

1. Zkontrolujte, zda nejsou na antivibračních prvcích nějaké praskliny nebo deformace.
2. Zkontrolujte, zda jsou antivibrační prvky správně uchyceny k motoru a rukojeti.

Informace o místech, kde je instalován systém tlumení vibrací na vašem výrobku, naleznete v části *Popis výrobku na strani 43*.

Kontrola vypínače

1. Motor vypnete pomocí vypínače.
2. Ujistěte se, že se motor zcela zastavil.

Umístění vypínače na výrobku naleznete v části *Popis výrobku na strani 43*.

Bezpečnost při manipulaci s palivem



VÝSTRAHA: Před použitím výrobku si přečtěte následující varování.

- Nemíchejte ani nedoplňujte palivo ve vnitřních prostorech nebo v blízkosti zdrojů tepla.
- Pokud je na výrobku nebo vašem těle olej nebo palivo, nespouštějte výrobek.
- Nespouštějte motor, pokud z něj uniká palivo. Pravidelně kontrolujte, zda z motoru neuniká palivo.
- Při manipulaci s palivem vždy dbejte zvýšené opatrnosti. Palivo je hořlavé a palivové výpary jsou výbušné a mohou způsobit vážné nebo smrtelné zranění.
- Nevdechujte palivové výpary, můžou způsobit zranění. Zajistěte dostatečný průtok vzduchu.
- V blízkosti paliva ani motoru nekuřte.
- Výrobek ani nádobu na palivo neumístejte do blízkosti teplých předmětů, míst s otevřeným ohněm, jiskrami nebo zapalovacím plamínkem.
- Vždy používejte schválené nádoby na skladování a přepravu paliva.

Bezpečnostní pokyny pro údržbu



VÝSTRAHA: Před použitím výrobku si přečtěte následující varování.

- Před prováděním údržby nebo montáže vypněte motor, vyjměte zapalovací svíčku a nechte motor vychladnout.
- Ucpané sítko lapače jisker způsobuje přehřívání motoru, což způsobí poškození motoru.
- Často ucpané sítko lapače jisker indikuje sníženou funkčnost katalyzátoru. Požádejte servis o kontrolu tlumiče výfuku.

Montáž

Úvod

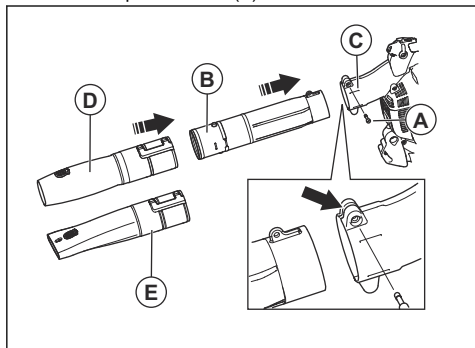


VÝSTRAHA: Než začnete montovat výrobek, přečtěte si pozorně kapitolu o bezpečnosti.

2. Namontujte střední díl trubky (B) k trubce foukače (C).
3. Namontujte a dotáhněte upínací šroub (A).
4. Namontujte kulatou trysku (D) nebo trubku s plochou hubicí (E) ke střednímu dílu trubky.

Montáž trubky foukače

1. Uvolněte upínací šroub (A).



Provoz

Úvod



VÝSTRAHA: Než začnete s výrobkem pracovat, přečtěte si důkladně kapitolu o bezpečnosti.

Palivo

Tento výrobek je vybaven dvoudobým motorem.



VAROVÁNÍ: Používání nesprávného typu paliva může vést k poškození motoru. Používejte směs benzínu a oleje pro dvoudobé motory.

Předmíchané palivo

- Používejte předmíchané alkylátové palivo Husqvarna. Zajistí nejlepší výkon výrobku a prodlouží životnost motoru. Toto palivo obsahuje méně škodlivých chemikálií v porovnání s běžným palivem a snižuje množství škodlivých výfukových plynů. Množství zbytků po spálení je s tímto palivem menší a díky tomu jsou součásti motoru čistější.

Míchání paliva

Benzín

- Používejte kvalitní bezolovnatý benzín s obsahem etanolu maximálně 10 %.



VAROVÁNÍ: Nepoužívejte benzín s oktanovým číslem nižším než 90 RON/87 AKI. Při použití benzínu s nízkým oktanovým číslem může docházet ke klepání motoru, které způsobuje jeho poškození.

Oil pro dvoudobé motory

- Nejlepších výsledků dosáhnete s olejem pro dvoudobé motory Husqvarna.
- Není-li k dispozici olej pro dvoudobé motory Husqvarna, použijte kvalitní olej pro dvoudobé motory určený pro vzduchem chlazené motory. Správný olej vám doporučí servisní prodejce.



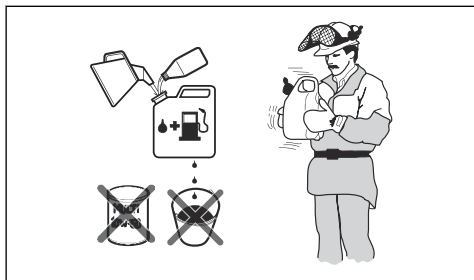
VAROVÁNÍ: Nepoužívejte olej pro dvoudobé motory chlazené vodou (olej pro lodní motory). Nepoužívejte olej pro čtyřdobé motory.

Míchání paliva a oleje pro dvoudobé motory

Benzín, l	Olej pro dvou- taktní motory, l
	2 % (50:1)
5	0,10
10	0,20
15	0,30
20	0,40



VAROVÁNÍ: Při míchání pouze malého množství paliva hrozí riziko, že malá chyba v poměru významně ovlivní výslednou směs. Pečlivě odměřte množství oleje, který bude přimíchán do paliva, aby bylo zajištěno, že docílíte správného poměru.



1. Doplňte polovinu množství benzínu do čisté nádoby na palivo.
2. Přidejte celé množství oleje.
3. Směs paliva řádně protřepejte.
4. Přidejte do nádoby zbývající množství benzínu.
5. Směs paliva dobře protřepejte.



VAROVÁNÍ: Neskladujte směs paliva déle než 1 měsíc.

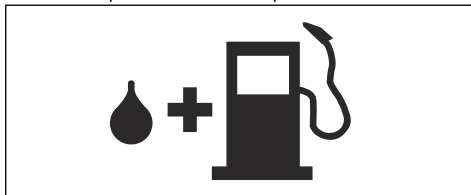
Doplňování paliva do palivové nádrže



VÝSTRAHA: Z bezpečnostních důvodů dodržujte následující postup.

1. Vypněte motor a nechte jej vychladnout.

2. Očistěte plochu kolem víčka palivové nádrže.



3. Protřepejte nádobu, aby se palivo zcela promíchalo.
4. Víčko palivové nádrže otevírejte pomalu, aby se uvolnil tlak.
5. Naplňte palivovou nádrž.



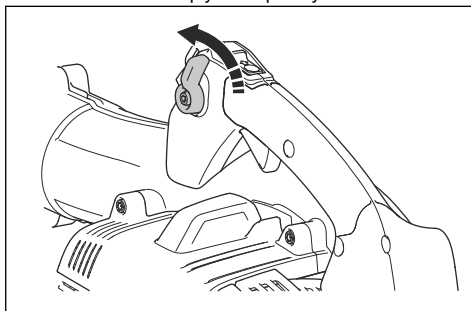
VAROVÁNÍ: Ujistěte se, že v palivové nádrži není příliš mnoho paliva. Palivo se rozpíná, jakmile se zahřeje.

6. Pevně dotáhněte víčko palivové nádrže.
7. Očistěte rozlité palivo na výrobku a v jeho okolí.
8. Před nastartováním přemístěte výrobek alespoň 3 m (10 stop) od místa, kde jste doplňovali palivo, a zdroje paliva.

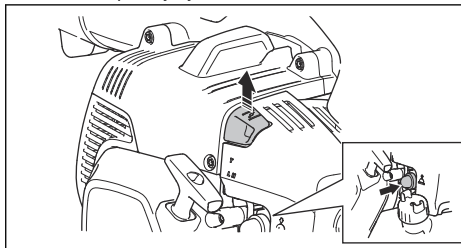
Povšimněte si: Umístění palivové nádrže na výrobku naleznete v části *Úvod na strani 43*.

Spuštění výrobku

1. Nastavte ovládání plynu do polohy volnoběhu.

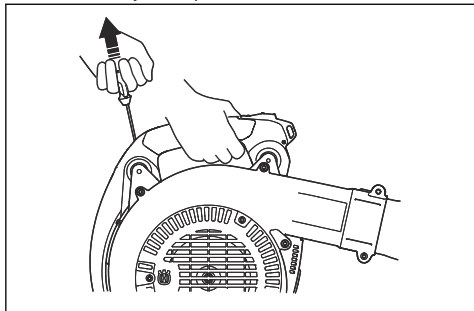


2. Pokud je motor studený, zatlačte ovládání sytiče do uzavřené polohy sytiče.



- Opakovaně stiskněte pomocnou palivovou pumpičku, dokud se nezačne plnit palivem. Není nezbytné zcela naplnit pomocnou palivovou pumpičku.
- Položte výrobek na zem s rovným povrchem.
- Přidržeť si výrobek pravou rukou.

nebo trubky foukače nacházely nějaké osoby.



VAROVÁNÍ: K přidržívání výrobku nepoužívejte nohy.

- Lehce zatáhněte za rukojeť startovací šňůry, až pocítíte odpor.
- Prudce zatáhněte za rukojeť startovací šňůry levou rukou. Opakovaně tahejte za rukojeť startovací šňůry, dokud se motor nepustí.

Povšimněte si: Nevytahujte celou délku startovací šňůry a nepouštějte rukojeť.

- Pokud je motor studený, nastavte ovládání sytiče do otevřené polohy.
- Je-li motor studený, nechte jej před uvedením do provozu běžet 2 až 3 minuty, aby se zahřál.



VÝSTRAHA: Při spuštění motoru a při nastavení výrobku na volnoběžné otáčky se z výrobku uvolňuje vzduch. Nedovolte, aby se v blízkosti výrobku

Obsluha výrobku

- Pracujte s výrobkem v obvyklé pracovní době. Dodržujte místní předpisy.
- Snižte počet kusů vybavení a vyberte správnou rychlost pro daný úkol. Používejte plyn v nejnižší možné poloze, aby množství hluku a prachu nebylo větší, než je nutné.
- Udržujte trysku foukače blízko u země.

Povšimněte si: Společnost Husqvarna doporučuje používat celý nástavec trysky foukače.

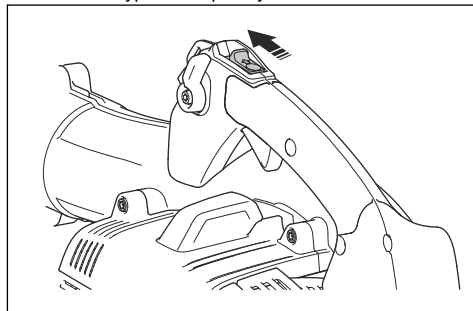
- Uvědomte si, jakým směrem fouká vítr, a používejte výrobek po směru větru.
- K uvolnění materiálu ze země použijte vhodné zahradní nářadí.
- V prašných místech použijte k navlhčení pracovní oblasti postřikovací zařízení. Tím se zkrátí doba provozu.
- Po ukončení činnosti uložte výrobek ve všíslé poloze.

Vypnutí motoru



VAROVÁNÍ: Nezastavujte výrobek při plných otáčkách.

- Nastavte vypínač do polohy zastavení.



Údržba

Úvod



VÝSTRAHA: Než začnete na výrobku provádět údržbu, přečtěte si pozorně kapitolu o bezpečnosti.

Plán údržby

Údržba	Denně	Týdně	Měsíčně
Vyčistěte vnější povrchy.	X		
Zkontrolujte, zda ovládání plynu funguje správně.	X		
Zkontrolujte, zda vypínač funguje správně. Další informace jsou uvedeny v části <i>Kontrola vypínače na strani 46</i> .	X		
Zkontrolujte těsnost motoru, palivové nádrže a palivových vedení. Zkontrolujte, zda není palivový filtr znečištěný. V případě potřeby vyměňte palivový filtr.	X		
Vyčistěte vzduchový filtr. Pokud je to nutné, vyměňte vzduchový filtr.	X		
Dotáhněte matice a šrouby.	X		
Zkontrolujte přívod vzduchu a ujistěte se, že není ucpaný.	X		
Zkontrolujte startér a startovací šňůru ohledně poškození.		X	
Zkontrolujte, zda antivibrační prvky nevykazují známky poškození, prasklin a deformací. Zkontrolujte, zda jsou antivibrační prvky správně připevněny.		X	
Zkontrolujte zapalovací svíčku. Další informace jsou uvedeny v části <i>Kontrola zapalovací svíčky na strani 50</i> .		X	
Vyčistěte chladič systém.		X	
Vyčistěte vnější povrch karburátoru a jeho okolí.		X	
Vyčistěte palivovou nádrž.			X
Zkontrolujte všechny elektrické kabely a konektory.			X
Zkontrolujte a vyčistěte sítko lapače jisker na tlumiči výfuku (u výrobků bez katalyzátoru).		X	
Zkontrolujte a vyčistěte sítko lapače jisker na tlumiči výfuku (u výrobků s katalyzátorem).			X
Vyměňte zapalovací svíčku. Ujistěte se, že je zapalovací svíčka namontována s krytem.			X

Úprava volnoběžných otáček

1. Zkontrolujte, zda je vzduchový filtr čistý a zda je jeho kryt řádně upevněn.
2. Seřídte volnoběžné otáčky pomocí stavěcího šroubu volnoběžných otáček. Umístění šroubu stavěcího volnoběžných otáček na výrobku naleznete v části *Popis výrobku na strani 43*.

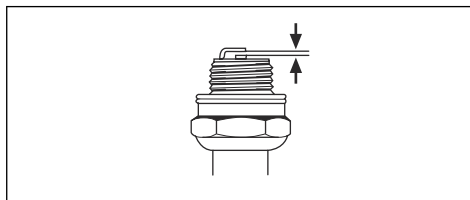
Kontrola zapalovací svíčky



VAROVÁNÍ: Použijte doporučenou zapalovací svíčku. Další informace naleznete v části *Kontrola zapalovací svíčky na strani 50*. Nesprávná zapalovací svíčka může výrobek poškodit.

1. Vypněte motor a nechte výrobek vychladnout.

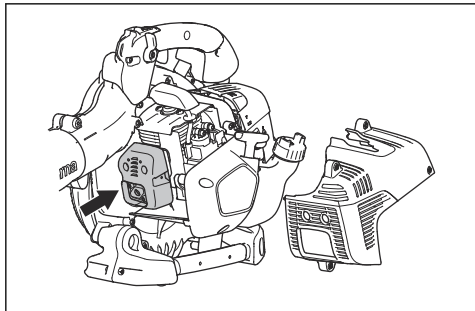
2. Pokud je zapalovací svíčka znečištěná, vyčistěte ji.
3. Zkontrolujte, zda je vzdálenost elektrod správná. Další informace naleznete v části *Technické údaje na strani 54*.



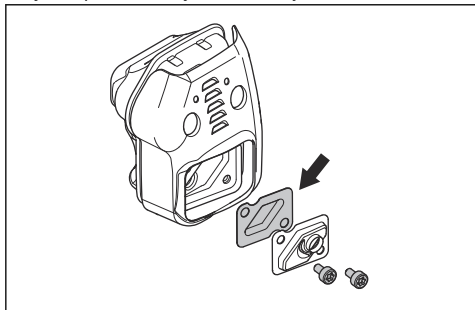
4. Zapalovací svíčku vyměňujte jedenkrát za měsíc nebo ještě častěji v případě potřeby.

Údržba tlumiče výfuku

1. Vypněte motor a nechte tlumič výfuku vychladnout. Používejte ochranné rukavice.



2. Sejměte kryt tlumiče výfuku.
3. Proveďte vizuální kontrolu. Pokud je sítko lapače jisker poškozené, je nutné ho vyměnit.



Kontrola a čištění chladicího systému

Chladicí systém se skládá z chladicích žebér na válci a sítka nasávaného vzduchu.

1. Vypněte motor.
2. Zkontrolujte, zda není chladicí systém znečištěný nebo ucpaný. V případě potřeby vyčistěte sítko nasávaného vzduchu a chladicí žebra.



VAROVÁNÍ: Znečištěný nebo ucpaný chladicí systém může způsobit zvýšení teploty motoru, což může vést

k poškození výrobku. Zanesené sítko nasávaného vzduchu snižuje sílu fukaného vzduchu.

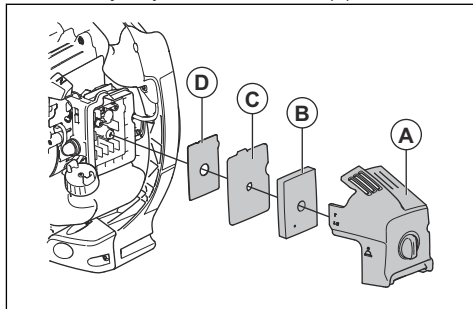
3. Zkontrolujte, zda není chladicí systém poškozený. Zkontrolujte, že jsou díly správně připevněny k výrobku.

Čištění vzduchového filtru



VAROVÁNÍ: Nepoužívejte výrobek bez vzduchového filtru ani s poškozeným vzduchovým filtrem. Prach ve vzduchu může způsobit poškození motoru.

1. Zatlačte ovládání sytiče do uzavřené polohy sytiče.
2. Demontujte kryt vzduchového filtru (A).



3. Vyjměte vzduchový filtr (B) z rámu filtru.
4. Vyčistěte vzduchový filtr (B) teplou mýdlovou vodou.

Povšimněte si: Vzduchový filtr, který byl používán po delší dobu, již nelze zcela vyčistit. Vzduchový filtr pravidelně vyměňujte a vždy vyměňte vadný vzduchový filtr.

5. Vyčistěte vnitřní povrch krytu vzduchového filtru (A) pomocí kartáče.
6. Pokud je plstěný filtr (C) znečištěný, vyjměte jej a vyměňte.
7. Namontujte sítko (D), plstěný filtr (C) a vzduchový filtr (B).
8. Namontujte kryt vzduchového filtru (A) k výrobku.

Odstraňování problémů

Motor nelze spustit.		
Kontrola	Možná příčina	Řešení
Tlačítko Stop.	Poloha zastavení	Nastavte vypínač do startovací polohy.
Západky startéru	Zablokovaná nebo opotřebovaná západka nebo západky.	Seřídte nebo vyměňte západky startéru.
		Očistěte prostor okolo západek startéru.
		Obráťte se na schválený servis.
Palivová nádrž.	Nesprávný typ paliva.	Vypusťte palivovou nádrž a použijte správné palivo.
Karburátor.	Nastavení volnoběžných otáček.	Volnoběžné otáčky seřídte pomocí stavěcího šroubu volnoběžných otáček.
Zapalování (bez jiskry).	Znečištěná či vlhká zapalovací svíčka.	Ujistěte se, že je zapalovací svíčka suchá a čistá.
	Vzdálenost elektrod zapalovací svíčky je nesprávná.	Vyčistěte zapalovací svíčku. Zkontrolujte, zda je vzdálenost elektrod správná. Zkontrolujte, zda je zapalovací svíčka vybavena krytem.
		Správnou vzdálenost elektrod najdete v části s technickými údaji.
Zapalovací svíčka.	Povolená zapalovací svíčka.	Dotáhněte zapalovací svíčku.
	Na elektrodách zapalovací svíčky je nežádoucí materiál.	Zkontrolujte správnost palivové směsi.
		Zkontrolujte, zda je vzduchový filtr čistý.

Motor startuje, ale znovu se vypíná.		
Kontrola	Možná příčina	Řešení
Palivová nádrž.	Nesprávný typ paliva.	Vypusťte palivo a použijte správné palivo.
Karburátor.	Motor nefunguje správně ve volnoběžných otáčkách.	Obráťte se na servisního prodejce.
Vzduchový filtr.	Ucpaný vzduchový filtr.	Vyčistěte vzduchový filtr.

Přeprava a skladování



VÝSTRAHA: Aby se zabránilo nebezpečí požáru, zajistěte, aby během přepravy nebo skladování nedocházelo k úniku kapalin a výparů. Ujistěte se, že nehrozí nebezpečí vzniku jisker nebo požáru.

- Před přepravou nebo dlouhodobým uskladněním vyprázdněte palivovou nádrž. Stiskněte pomocnou palivovou pumpičku a zkontrolujte, zda bylo odstraněno veškeré palivo. Odevzdejte palivo na příslušném sběrném místě.
- Před dlouhodobým uskladněním je nutné výrobek vyčistit a provést kompletní údržbu.
- Vyměňte zapalovací svíčku a do válce nalijte přibližně 15 ml oleje pro dvoudobé motory. Třikrát otočte výrobkem a znovu namontujte zapalovací svíčku.
- Během přepravy musí být výrobek bezpečně upevněný k vozidlu.
- Uchovávejte výrobek na suchém, chladném, dobře větraném a čistém místě. Uchovávejte výrobek mimo dosah dětí.

Technické údaje

Technické údaje

	Husqvarna 525BX
Motor	
Zdvihový objem válce, cm ³	25,4
Volnoběžné otáčky, ot/min	3000
Katalyzátor	Ano
Systém zapalování	
Zapalovací svíčka	NGK BPMR8Y
Vzdálenost elektrod, mm	0,6–0,7
Systém mazání a palivový systém	
Objem palivové nádrže, l / cm ³	0,45 / 450
Hmotnost	
Hmotnost, bez paliva, kg	4,4
Emise hluku¹⁰	
Hladina akustického výkonu, změřená dB (A)	104
Hladina akustického výkonu, zaručená L _{WA} dB (A)	106
Hladina hluku¹¹	
Ekvivalentní hladina akustického tlaku v úrovni uší obsluhy, změřená podle normy EN 15503, dB(A):	
Při nasazené kulaté trysce	91
Při nasazené trubce s plochou hubicí	92
Úrovně vibrací¹²	
Ekvivalentní hladiny vibrací (a _{hν,eq}) v rukojetích, měřené podle normy EN 15503, m/s ²	
Při nasazené kulaté trysce	1,2
Při nasazené trubce s plochou hubicí	2,0
Výkon ventilátoru	
Maximální rychlost vzduchu s kulatou tryskou, m/s	70
Maximální rychlost vzduchu s plochou hubicí, m/s	86
Průtok vzduchu s kulatou tryskou (m ³ /min)	13

¹⁰ Emise hluku v životním prostředí měřené jako akustický výkon (L_{WA}) v souladu se směrnicí 2000/14/ES. Uváděná hladina akustického výkonu pro stroj byla měřena s originálním tryskou foukače, který generuje nejvyšší hladinu. Rozdíl mezi garantovaným a měřeným akustickým výkonem je v tom, že garantovaný akustický výkon rovněž zahrnuje rozptýl výsledků měření a rozdíly mezi různými stroji téhož modelu podle Směrnice 2000/14/ES.

¹¹ Uváděná data pro hladinu tlaku zvuku mají typickou statistickou odchylku (standardní odchylku) 1,0 dB (A).

¹² Uváděná data o úrovni vibrací mají typickou statistickou odchylku (standardní odchylku) 1,0 m/s².

	Husqarna 525BX
Průtok vzduchu s plochou hubicí, m ³ /min	10

ES Prohlášení o shodě

Husqvarna AB, SE-561 82 Huskvarna, Švédsko, tel.: +46-36-146500, prohlašuje, že foukač **Husqvarna 525BX** se sériovým číslem od roku 2016 a dále (rok je zřetelně vyznačen v textu na typovém štítku a za ním následuje sériové číslo) vyhovuje požadavkům následujících SMĚRNIC RADY EVROPSKÉ UNIE:

- ze 17. května 2006 „týkající se strojních zařízení“ **2006/42/ES**.
- z 26. února 2014 „týkající se elektromagnetické kompatibility“ **2014/30/EU**.
- z 8. května 2000 „týkající se emisí hluku v okolním prostředí“ **2000/14/ES**. Postup posouzení shody byl použit v souladu s přílohou V. Informace o emisích hluku najdete v kapitole *Technické údaje na strani 54*.
- ze dne 8. června 2011 „o omezení používání některých nebezpečných látek v elektrických a elektronických zařízeních“ **2011/65/EU**.

Byly uplatněny následující normy:

EN ISO 12100-2/A1:2009, CISPR 12:2009, EN 15503:2009/A2:2015, EN 50581:2012

Institut RISE SMP Svensk Maskinprovning AB, provedl jménem společnosti Husqvarna AB dobrovolnou typovou zkoušku. Číslo certifikátu: **SEC/14/2423 – 525BX**

Huskvarna, 2020-01-01



Per Gustafsson, ředitel vývoje (autorizovaný zástupce společnosti Husqvarna AB zodpovědný za technickou dokumentaci)

Indhold

Indledning.....	57	Fejlfinding.....	66
Sikkerhed.....	58	Transport og opbevaring.....	67
Montering.....	61	Tekniske data.....	68
Drift.....	61	EU-overensstemmelseserklæring.....	70
Vedligeholdelse.....	63		

Indledning

Produktbeskrivelse

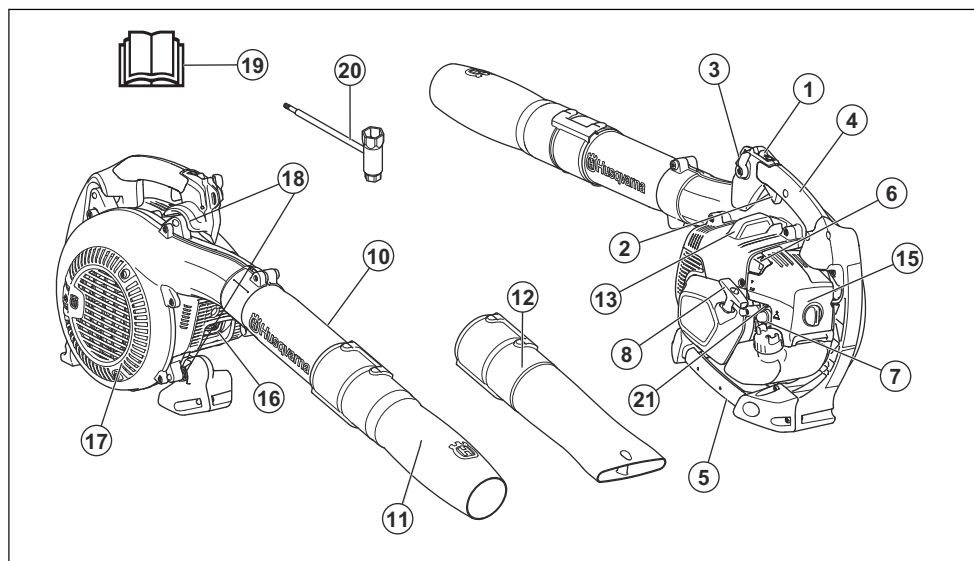
Produktet er en løvblæser med en forbrændingsmotor.

Vi forsøger hele tiden at videreudvikle vores produkter og forbeholder os derfor ret til ændringer af bl.a. form og udseende af produkterne uden forudgående varsel.

Anvendelsesformål

Brug af produktet til at blæse blade og andet uønsket materiale fra områder som f.eks. plæner, stier og asfalterede veje.

Produktoversigt



1. Start/stop-kontakt
2. Gasregulering
3. Gashåndtag
4. Styrehåndtag
5. Håndtag
6. Chokerhåndtag
7. Spædepumpe
8. Startsnorens håndgreb
9. Klamskrue
10. Mellemrør
11. Rundt mundstykke
12. Fladt mundstykke
13. Tændrør
14. Brændstoftankdæksel
15. Luftfilter
16. Lyddæmper
17. Afskærmning til luftindtag
18. Vibrationsdæmpningssystem
19. Brugsanvisning
20. Ring- og gaffelnøgle
21. Skrue for omdrejningstal i tomgang

Symboler på produktet



ADVARSEL! Dette produkt kan være farligt og forårsage alvorlig personskade eller død for brugeren eller andre. Vær forsigtig, og brug produktet korrekt.



Læs brugsanvisningen omhyggeligt igennem, og sørg for at have forstøet instruktionerne, inden du bruger produktet.



Brug godkendt høreværn og godkendt øjenværn. Hvis miljøet indeholder støv, skal der anvendes åndedrætsværn.



Brug godkendte beskyttelseshandsker.



Dette produkt overholder gældende EU-direktiver.



Blanding af benzin og totaktolie.



Brændstofpumpebold.



Choker, åben position.



Choker, lukket position.



Emission af støj og miljøpåvirkning i henhold til EU-direktiv 2000/14/EF og New South

Wales' lovgivning om "Beskyttelse af miljøet (støjbeholdning) forordning 2017 ". Data om emission af støj findes på maskinens mærkat og i kapitlet Tekniske data.



Hold øje med udkastede genstande. Udkastede genstande kan forårsage alvorlige skader. Bær personligt beskyttelsesudstyr.

Hold en sikkerhedsafstand på minimum 15 m til personer eller dyr.

yyyywwxxxx

Typeskiltet viser serienummeret. **aaaa** er produktionsåret, og **uu** er produktionsugen.

Bemærk: Andre symboler/mærkater på produktet henviser til certificeringskrav i andre handelsområder.

Euro V-emissioner



ADVARSEL: Ved manipulation af motoren bortfalder EU-typegodkendelsen af dette produkt.

Produktansvar

Som nævnt i produktansvarsbestemmelserne hæfter vi ikke for skader forårsaget af vores produkt, hvis:

- produktet er forkert repareret.
- produktet er repareret med dele, der ikke er fra producenten eller ikke er godkendt af producenten
- produktet har tilbehør, der ikke er fra producenten eller ikke er godkendt af producenten.
- produktet ikke er repareret på et godkendt servicecenter eller af en godkendt myndighed.

Sikkerhed

Sikkerhedsdefinitioner

Definitionerne nedenfor angiver alvorligheden for hvert enkelt signalord.



ADVARSEL: Skade på personer.



BEMÆRK: Beskadigelse af produktet.

Bemærk: Disse oplysninger gør det lettere at bruge produktet.

Generelle sikkerhedsinstruktioner



ADVARSEL: Læs følgende advarselsinstruktioner, inden du bruger produktet.

- Udfør ikke ændringer af produktet uden tilladelse fra producenten, og brug altid originalt tilbehør. Ændringer og/eller tilbehør, der ikke er godkendt, kan forårsage alvorlige skader eller dødsfald for brugeren eller andre.
- Brug ikke et beskadiget produkt. Gennemfør sikkerhedskontroller og vedligeholdelse, som beskrevet i denne brugsanvisning. Al anden vedligeholdelse skal udføres af godkendt servicepersonale.
- Al service og alle reparationer skal udføres af godkendt servicepersonale. Hvis en del af produktet er defekt, skal du kontakte din serviceforhandler.

Sikkerhedsinstruktioner for betjening



ADVARSEL: Læs følgende advarselsinstruktioner, inden du bruger produktet.

- Dette produkt kan være farligt og forårsage alvorlig personskade eller død for brugeren eller andre. Vær forsigtig, og brug produktet korrekt.
- Kontrollér produktet inden brug. Se *Vedligeholdelse på side 63*.
- Betjen aldrig produktet, hvis du er træt, syg eller påvirket af alkohol, narkotika eller medicin, der kan reducere dit syn, dømmekraft eller koordinationsevne.
- Monter alle dæksler og afskærmninger før brug. For at undgå elektrisk stød skal du sørge for, at tændhætten og tændkablet ikke er beskadigede.
- Rør aldrig ved tændrøret eller tændkablet, mens motoren er i gang.
- Hold en sikkerhedsafstand på minimum 15 m til personer eller dyr. Hvis personer, børn eller dyr kommer nærmere end 15 m, skal du standse produktet. Vend produktet væk fra mennesker, dyr, åbne vinduer og andre genstande.
- Lad ikke børn betjene produktet. Sørg for, at alle brugere læser og forstår indholdet i denne brugsanvisning.
- Hold hænder og andre genstande væk fra blæserhuset under drift. Roterende dele kan forårsage alvorlige skader.
- Brug ikke produktet, hvis afskærmningen til luftindtag ikke er monteret. Sørg altid for, at afskærmningen til luftindtag er monteret og er ubeskadiget før brug.
- Hvis der opstår en nødsituation, skal du frigøre selens taljebælte og brystbælte og lade produktet falde ned.
- Overhold nationale forordninger og direktiver.
- Hold alle kropsdele væk fra varme flader.

- For mange vibrationer kan beskadige blodcirkulationen eller nervesystemet. Tal med din læge, hvis du har symptomer, f.eks. følelsesløshed, tab af følesans, kildren, smerte, manglende styrke eller forandringer i hudens farve på fingre, hænder eller håndled.
- Hold øje med udkastede genstande. Udkastede genstande kan forårsage alvorlige skader.
- Brug ikke produktet i dårligt vejr, f.eks. tåge, regn, hård vind og intens kulde. Arbejde i dårligt vejr kan forårsage træthed og farlige forhold.
- Sørg for, at du kan bevæge dig og arbejde i en stabil stilling. Udfør en kontrol af arbejdsområdet for eventuelle forhindringer, f.eks. sten. Vær forsigtig, hvis du bruger produktet på en skråning.
- Læg ikke produktet på jorden, mens motoren er tændt.
- Anvend ikke produktet fra høje positioner, f.eks. på en stige.
- Sørg for, at du altid kan høres i tilfælde af et uheld.
- Sørg for, at udstødningsgasudgangen ikke er tilstoppet. Undgå at beskadige produktet, og hold forhindringer i en afstand på mindst 50 cm fra udstødningsgasudgangen.
- Start ikke produktet indendørs, hvis der er dårlig luftgennemstrømning, eller i nærheden af brandfarligt materiale. Motorens udstødningsgasser indeholder kulmonoxid, hvilket kan forårsage kulmonoxidforgiftning. Motorens udstødningsgasser er varme og kan indeholde gnister, der kan starte en brand.

Personligt beskyttelsesudstyr



ADVARSEL: Læs følgende advarselsinstruktioner, inden du bruger produktet.

- Brug godkendt personligt beskyttelsesudstyr, når du bruger produktet. Personligt beskyttelsesudstyr udelukker ikke fuldstændigt risikoen for personskader, men det mindsker omfanget af skaderne. Spørg forhandleren for at få yderligere oplysninger.
- Brug godkendt høreværn. Langvarig eksponering for støj kan medføre permanente høreskader.
- Brug godkendt øjenværn. Hvis du bruger et ansigtsskærm, skal du også bruge godkendte beskyttelsesbriller. Godkendte beskyttelsesbriller skal overholde den amerikanske standard ANSI Z87.1 eller EU-standard EN 166.
- Brug beskyttelseshandsker under drift og vedligeholdelse.
- Brug beskyttelsesstøvler eller -sko med skridsikre såler.
- Brug tøj af stærkt materiale og i fuld længde. Bær ikke smykker eller åbne sko. For at mindske risikoen for personskade skal tøjet være tætsluttende, men ikke begrænse dine bevægelser. Sæt håret op over dine skuldre for at forhindre, at håret kommer ned i de roterende dele eller fanges af grene.

- Brug åndedrætsværn, når der er risiko for støv.
- Hav førstehjælpsudstyr i nærheden.

Sikkerhedsanordninger på produktet



ADVARSEL: Læs følgende advarelsinstruktioner, inden du bruger produktet.

- Brug ikke et produkt med defekte sikkerhedsanordninger.
- Kontrollér sikkerhedsanordningerne regelmæssigt. Se *Vedligeholdelse på side 63*.
- Hvis sikkerhedsanordningerne er defekte, skal du henvende dig til din Husqvarna-serviceforhandler.

Sådan kontrolleres lyddæmperen



ADVARSEL: Brug ikke produktet med en defekt lyddæmper.



ADVARSEL: Lyddæmperen bliver meget varm under og efter brug, også i tomgang. Brug beskyttelseshandsker for at undgå forbrændinger.



ADVARSEL: Lyddæmperens inderside indeholder kemikalier, der kan være kræftfremkaldende. Rør ikke lyddæmperen, hvis den er beskadiget.

- Foretag jævnligt en visuel undersøgelse af lyddæmperen. Lyddæmperen sikrer et minimalt støjniveau og sender udstødningsgasserne væk fra brugeren. Se *Sådan vedligeholder du lyddæmperen på side 65*.

Sådan kontrolleres vibrationsdæmpningssystemet

1. Sørg for, at der ikke er revner på og deformation af vibrationsdæmpningsenhederne.
2. Kontrollér, at vibrationsdæmpningsenhederne er korrekt forankret til motorenheden og håndtagsenheden.

Se *Produktoversigt på side 57* for at få oplysninger om, hvor vibrationsdæmpningssystemet er på dit produkt.

Sådan kontrolleres start/stop-kontakten

1. Brug start/stop-kontakten til at stoppe motoren.

2. Sørg for, at motoren standses helt.

Se *Produktoversigt på side 57* for at se, hvor start/stop-kontakten sidder på produktet.

Brændstofsikkerhed



ADVARSEL: Læs følgende advarelsinstruktioner, inden du bruger produktet.

- Bland og tilføj ikke brændstof indendørs eller i nærheden af en varmekilde.
- Start ikke produktet, hvis du får olie eller brændstof på produktet eller på din krop.
- Start ikke produktet, hvis motoren lækker. Undersøg regelmæssigt motoren for brændstoffækager.
- Vær altid forsigtig med brændstof. Brændstof er letantændeligt, og brændstoffdampe er eksplosive og kan forårsage alvorlige skader eller dødsfald.
- Undgå at indånde brændstoffdampene, da det kan forårsage personskader. Sørg for, at der er tilstrækkelig luftstrøm.
- Ryg ikke i nærheden af brændstof eller motor.
- Anbring ikke produktet eller en brændstoffdunk nær varme genstande, på steder med åben ild, gnister eller tændflammer.
- Brug altid godkendte beholdere til opbevaring og transport af brændstof.

Sikkerhedsinstruktioner for vedligeholdelse



ADVARSEL: Læs følgende advarelsinstruktioner, inden du bruger produktet.

- Stands motoren, fjern tændrøret, og lad motoren køle af, før der udføres vedligeholdelse og montering.
- En tilstoppet gnistfangerskærm får motoren til at blive for varm, hvilket resulterer i beskadigelse af motoren.
- Hvis gnistfangerskærmen ofte er tilstoppet, kan dette være tegn på, at katalysatorens funktion er nedsat. Kontakt dit serviceværksted, så de kan erstatte lyddæmperen.

Montering

Indledning

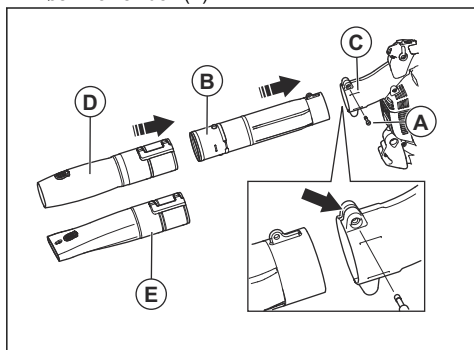


ADVARSEL: Læs og forstå kapitlet om sikkerhed, før du monterer produktet.

2. Monter mellemrøret (B) på blæserøret (C).
3. Monter og tilspænd klemeskruen (A).
4. Monter det runde mundstykke (D) eller det flade mundstykke (E) på mellemrøret.

Sådan samles blæserøret

1. Løsn klemeskruen (A).



Drift

Indledning



ADVARSEL: Læs og forstå kapitlet om sikkerhed, før du bruger produktet.

Brændstof

Dette produkt har en totaktsmotor.



BEMÆRK: Forkert brændstof kan medføre beskadigelse af motoren. Brug en blanding af benzin og totaktsolie.

Forblandet brændstof

- Brug Husqvarna forblandet alkylatbenzin – det giver det bedste resultat og forlænger af motorens levetid. Dette brændstof indeholder færre skadelige kemikalier sammenlignet med almindeligt brændstof, hvilket reducerer skadelige udstødningsgasser. Mængden af rester efter forbrændingen er lavere med dette brændstof, som holder komponenterne i motoren mere rene.

Sådan blandes brændstof

Benzin

- Brug blyfri benzin af god kvalitet med et ethanolindhold på maks. 10 %.



BEMÆRK: Brug ikke benzin med et oktantal mindre end 90 RON/87 AKI. Brug af et lavere oktantal kan forårsage motorbanken, hvilket beskadiger motoren.

Totaktsolie

- De bedste resultater opnås ved anvendelse af Husqvarna-totaktsolie.
- Hvis du ikke kan få fat i Husqvarna-totaktsolie, kan du også bruge en anden totaktsolie af høj kvalitet, som er beregnet til luftkølede motorer. Tal med din serviceforhandler om valg af den korrekte olie.



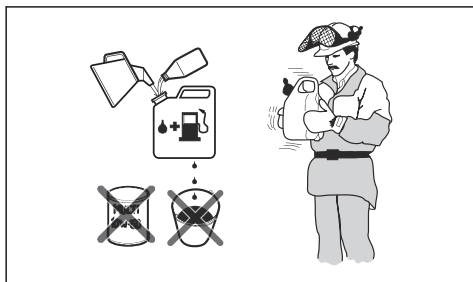
BEMÆRK: Brug aldrig totaktsolie til vandkølede udenbordsmotorer, såkaldt outboardoil. Brug ikke olie beregnet til firetaktsmotorer.

Sådan blandes benzin og totaktolie

Benzin, liter	Totaktolie, liter
	2 % (50:1)
5	0,10
10	0,20
15	0,30
20	0,40



BEMÆRK: Små fejl kan påvirke forholdet i blandingen drastisk, hvis du blander små mængder brændstof. Mål omhyggeligt mængden af olie, og sørg for, at du får den rigtige blanding.



1. Fyld halvdelen af mængden af benzin i en ren beholder til brændstof.
2. Tilføj al olien.
3. Ryst brændstofblandingen.
4. Hæld den resterende mængde over i beholderen.
5. Ryst brændstofblandingen omhyggeligt.



BEMÆRK: Bland ikke brændstof til mere end 1 måned ad gangen.

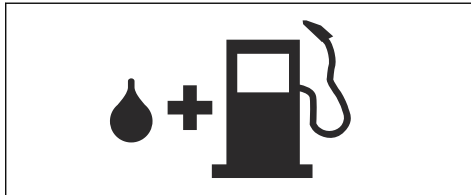
Sådan fyldes brændstoftanken



ADVARSEL: Følg nedenstående fremgangsmåde for din egen sikkerheds skyld.

1. Stands motoren, og lad den blive kold.

2. Rengør omkring brændstoftankens dæksel.



3. Ryst beholderen, og sørg for, at brændstoffet er helt blandet.
4. Afmonter brændstoftankens dæksel langsomt for at aflaste trykket.
5. Fyld brændstoftanken.



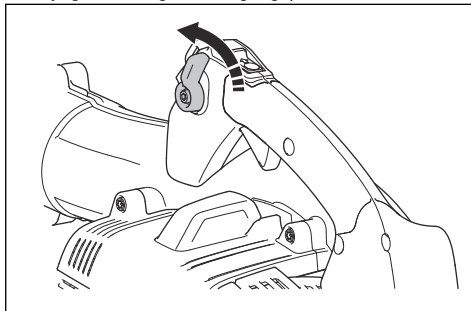
BEMÆRK: Sørg for, at der ikke er for meget brændstof i tanken. Brændstoffet udvider sig, når det bliver varmt.

6. Spænd brændstoftankens dæksel helt.
7. Afrens spildt brændstof på og omkring produktet.
8. Flyt produktet mindst 3 m/10 fod væk fra tankningsstedet og -kilden, inden det startes.

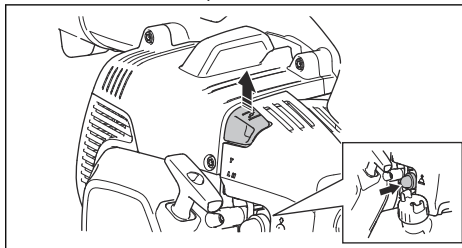
Bemærk: Se *Indledning på side 57* for at se, hvor brændstoftanken sidder på produktet.

Sådan startes produktet

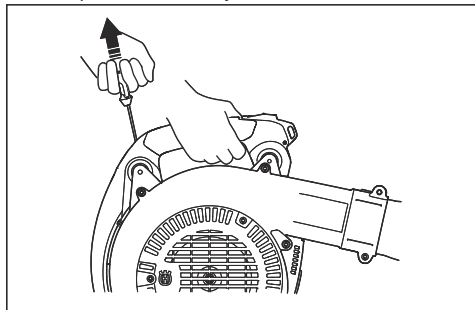
1. Flyt gashåndtaget til tomgangspositionen.



2. Hvis motoren er kold, skal du sætte chokerhåndtaget i den lukkede chokerposition.



- Tryk på brændstofpumpebolden igen og igen, indtil brændstoffet begynder at fylde pumpen. Det er ikke nødvendigt at fylde brændstofpumpebolden helt.
- Anbring produktet på en plan overflade på jorden.
- Hold produktet med højre hånd.



BEMÆRK: Brug ikke dine fødder til at holde produktet.

- Træk langsomt i startsnorens håndtag, indtil du mærker modstand.
- Træk hurtigt i startsnorens håndtag med venstre hånd. Træk i startsnorens håndtag igen og igen, indtil motoren starter.

Bemærk: Træk ikke startsnorens håndtag helt ud, og slip ikke startsnorens håndtag.

- Hvis motoren er kold, skal du sætte chokerhåndtaget i åben position.
- Hvis motoren er kold, skal du lade motoren køre i 2-3 minutter for at blive varm, før arbejdet påbegyndes.



ADVARSEL: Der slippes luft ud, når motoren startes, og når produktet er sat i

tomgang. Lad aldrig personer komme i nærheden af produktet eller blæserøret.

Betjening af produktet

- Betjen produktet i normal arbejdstid. Overhold lokale bestemmelser.
- Reducer antallet af udstyrsdele, og vælg den rigtige hastighed til din opgave. Brug gasreguleringen ved lavest mulige position for at forhindre mere støj og støv end nødvendigt.
- Hold løvblæserens mundstykke tæt ved jorden.

Bemærk: Husqvarna anbefaler, at du bruger løvblæserens mundstykkeforlænger.

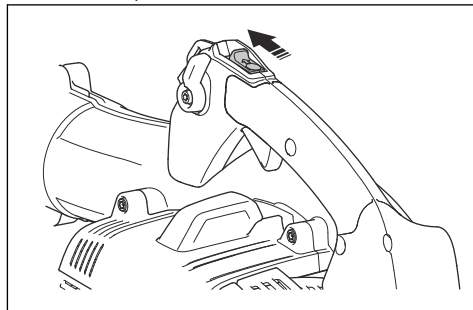
- Bemærk vindretningen, og betjen produktet iht. vindretningen.
- Brug haveredskaber til at løsne materiale fra jorden.
- I områder med støv skal du bruge sprøjtestyr til at gøre området vådt. Det reducerer driftstiden.
- Efter arbejdet skal produktet opbevares lodret.

Sådan standses motoren



BEMÆRK: Stands ikke produktet ved maksimal hastighed.

- Stil start/stop-kontakten til STOP.



Vedligeholdelse

Indledning



ADVARSEL: Læs og forstå sikkerhedskapitlet, før du udfører vedligeholdelse på produktet.

Vedligeholdelsesskema

Vedligeholdelse	Hver dag	Ugentligt	Månedligt
Rengør de udvendige overflader.	X		

Vedligeholdelse	Hver dag	Ugentligt	Månedligt
Sørg for, at gashåndtaget fungerer korrekt.	X		
Sørg for, at start/stop-kontakten fungerer korrekt. Se <i>Sådan kontrolleres start/stop-kontakten på side 60.</i>	X		
Undersøg motoren, brændstoftanken og brændstofslangerne for udsivning. Undersøg brændstoffilteret for forurening. Udskift brændstoffilteret, hvis det er nødvendigt.	X		
Rens luftfilteret. Udskift luftfilteret, hvis det er nødvendigt.	X		
Spænd møtrikker og skruer.	X		
Undersøg luftindtaget, og kontrollér, at det ikke tilstoppet.	X		
Undersøg startmotoren og startsnoren for skader.		X	
Undersøg vibrationsdæmpningsenhederne for skader, revner og skævheder. Sørg for, at vibrationsdæmpningsenhederne er monteret korrekt.		X	
Efterse tændrøret. Se <i>Sådan kontrolleres tændrøret på side 64.</i>		X	
Rens kølesystemet.		X	
Rens karburatorens udvendige flader og området omkring den.		X	
Rengør brændstoftanken.			X
Undersøg alle kabler og tilslutninger.			X
Undersøg og rengør gnistfangerskærmen på lyddæmperen (på produkter uden katalysator).		X	
Undersøg og rengør gnistfangerskærmen på lyddæmperen (på produkter med katalysator).			X
Udskift tændrøret. Sørg for, at det er fastgjort med en tændfanger.			X

Sådan justerer du tomgangshastigheden

1. Sørg for, at luftfilteret er rent og at luftfilterdækslet er fastgjort.
2. Juster tomgangshastigheden med tomgangsjusteringsskruen. Se *Produktoversigt på side 57* for at se, hvor tomgangsjusteringsskruen sidder på produktet.

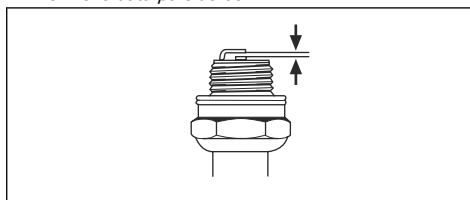
Sådan kontrolleres tændrøret



BEMÆRK: Brug det anbefalede tændrør. Se *Sådan kontrolleres tændrøret på side 64.* Et forkert tændrør kan medføre skader på produktet.

1. Stands motoren, og lad produktet blive koldt.
2. Rengør tændrøret, hvis det er snavset.

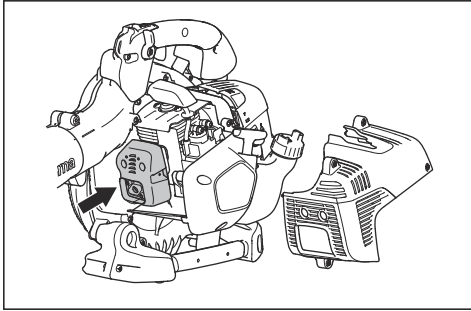
3. Sørg for, at elektrodeafstanden er korrekt. Se *Tekniske data på side 68.*



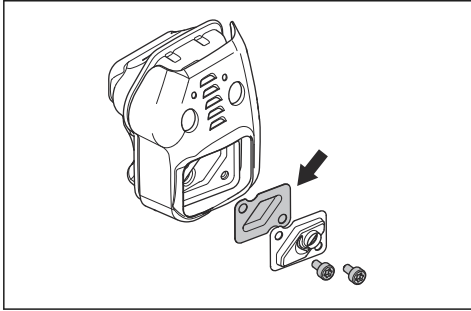
4. Udskift tændrøret hver måned eller oftere, hvis det er nødvendigt.

Sådan vedligeholder du lyd-dæmperen

1. Stands motoren, og lad lyd-dæmperen blive kold. Bær altid beskyttelseshandsker.



2. Afmonter lyd-dæmperdækslet.
3. Foretag en visuel kontrol. Udskift gnistfangerskærmen, hvis den er beskadiget.



Sådan undersøges og renses kølesystemet.

Kølesystemet omfatter køleribberne på cylinderen og afskærmningen til luftindtag.

1. Stop motoren.
2. Sørg for, at kølesystemet ikke er snavset eller tilstoppet. Hvis det er nødvendigt, skal afskærmningen til luftindtag og køleribberne rengøres.



BEMÆRK: Et snavset eller tilstoppet kølesystem kan medføre en stigning i

motorens temperatur, hvilket kan forårsage skader på produktet. En tilstoppet afskærmning til luftindtag reducerer blæserstyrken.

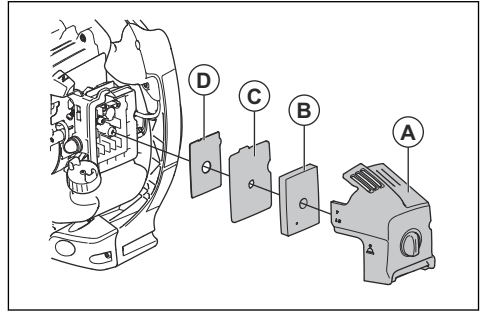
3. Undersøg kølesystemet for skader. Sørg for, at delene er korrekt monteret på produktet.

Rengøring af luftfilteret



BEMÆRK: Anvend ikke produktet uden et luftfilter eller med et beskadiget luftfilter. Støv i luften kan forårsage skader på motoren.

1. Skub chokerhåndtaget til den lukkede chokerposition.
2. Fjern luftfilterdækslet (A).



3. Fjern luftfilteret (B) fra filterrammen.
4. Rens luftfilteret (B) med varmt sæbevand.

Bemærk: Et luftfilter, der har været brugt i lang tid, kan ikke blive helt rent. Udskift luftfilteret regelmæssigt, og udskift altid et defekt luftfilter.

5. Rengør den indvendige overflade på luftfilterdækslet (A) med en børste.
6. Afmonter og udskift filteret (C), hvis det er snavset.
7. Monter skærmen (D), filteret (C) og luftfilteret (B).
8. Monter luftfilterdækslet (A) på produktet.

Fejlfinding

Det er ikke muligt at starte motoren.		
Kontrollér	Mulig årsag	Løsning
Stopknap.	Stopposition	Sæt stopkontakten i startpositionen.
Starthage(r).	Blokeret eller slidt starthage(r).	Juster eller udskift starthagen/starthagerne.
		Rengør omkring starthagen/starthagerne.
		Kontakt en godkendt serviceforhandler.
Brændstoftank.	Forkert brændstoftype.	Tøm brændstoftanken, og brug det rigtige brændstof.
Karburator.	Justering af tomgangsomdrejningstallet.	Indstilling af tomgangshastigheden med justerskruen.
Gnist (ingen gnist).	Tændrør er beskidt eller vådt.	Sørg for, at tændrøret er tørt og rent.
	Elektrodeafstanden på tændrøret er forkert.	Rens tændrøret. Sørg for, at elektrodeafstanden er korrekt. Sørg for, at tændrøret er monteret med radiostøjdæmpning.
		Se de tekniske data for at få oplysninger om den korrekte elektrodeafstand.
Tændrør.	Løst tændrør.	Spænd tændrøret.
	Der er uønsket materiale på tændrørets elektroder.	Sørg for, at brændstofblandingen er korrekt.
		Sørg for, at luftfilteret er rent.

Motoren starter, men standser igen		
Kontrollér	Mulig årsag	Løsning
Brændstoftank.	Forkert brændstoftype.	Tøm den, og brug korrekt brændstof.
Karburator.	Motoren fungerer ikke korrekt i tomgangshastighed.	Kontakt din serviceforhandler.
Luftfilter.	Tilstoppet luftfilter.	Rens luftfilteret.

Transport og opbevaring



ADVARSEL: For at reducere risikoen for brand skal du sørge for, at der ikke forekommer lækager eller dampe under transport eller opbevaring. Sørg for, at der ikke er risiko for gnistdannelse eller brand.

- Tøm brændstoftanken før transport og langtidsopbevaring. Tryk på brændstofpumpebolden for at sikre, at alt brændstof er fjernet. Bortskaf brændstoffet på en lokal miljøstation.
- Sørg for, at produktet er rent, og at der er udført fuld service før længere tids opbevaring.
- Fjern tændrøret, og hæld ca. 15 ml totaktsolie i cylinderen. Vend produktet 3 gange, og sæt tændrøret i igen.
- Fastspænd produktet sikkert til køretøjet under transport.
- Anbring apparatet på et tørt, køligt og rent sted med god luftgennemstrømning. Opbevar produktet utilgængeligt for børn.

Tekniske data

Tekniske data

Husqvarna 525BX	
Motor	
Cylindervolumen, cm ³	25,4
Omdrejningstal i tomgang, o/min.	3000
Katalysator	Ja
Tændingsystem	
Tændrør	NGK BPMR8Y
Elektrodeafstand, mm	0,6-0,7
Brændstof-/smøresystem	
Benzintankens kapacitet, l / cm ³	0,45 / 450
Vægt	
Vægt, uden brændstof, kg	4,4
Støjmissioner¹³	
Lydeffektniveau, målt dB (A)	104
Lydeffektniveau, garanteret L _{WA} dB (A)	106
Lydniveauer¹⁴	
Ækvivalent lydtryksniveau ved brugerens øre, målt i henhold til EN15503 dB(A):	
Udstyret med rundt mundstykke	91
Udstyret med fladt mundstykke	92
Vibrationsniveauer¹⁵	
Ækvivalente vibrationsniveauer (a _{hν,eq}) i håndtag målt i henhold til EN ISO 15503, m/s ²	
Udstyret med rundt mundstykke	1,2
Udstyret med fladt mundstykke	2,0
Blæserydelse	
Maks. lufthastighed med rundt mundstykke, m/s:	70
Maks. lufthastighed med fladt mundstykke, m/s	86
Luftgennemstrømning med standardmundstykke, m ³ /min	13

¹³ Emission af støj til omgivelserne målt som lydeffekt (L_{WA}) i henhold til EF-direktiv 2000/14/EF. Rapporteret lydeffektniveau for maskinen er målt med det originale blæsermundstykke, der giver det højeste niveau. Forskellen mellem garanteret og målt lydeffekt er, at den garanterede lydeffekt også omfatter spredning i måleresultatet og variationerne mellem forskellige maskiner af samme model i henhold til direktivet 2000/14/EF.

¹⁴ Rapporterede data for lydtrykniveau har en typisk statistisk spredning (standardafvigelse) på 1,0 dB (A).

¹⁵ Rapporterede data for vibrationsniveau har en typisk statistisk spredning (standardafvigelse) på 1,0 m/s².

	Husqvarna 525BX
Luftgennemstrømning med fladt mundstykke, m ³ /min	10

EU-overensstemmelseserklæring

EU-overensstemmelseserklæring

Husqvarna AB, SE-561 82 Huskvarna, Sverige, tlf.: +46-36-146500, erklærer, at løvblæser **Husqvarna 525BX** med serienummer fra 2016 og fremefter (året er tydeligt angivet på typeskiltet, efterfulgt af serienummeret), opfylder forskrifterne i RÅDETS DIREKTIV:

- af den 17. maj 2006 "angående maskiner" **2006/42/EF**.
- af den 26. februar 2014 "angående elektromagnetisk kompatibilitet" **2014/30/EU**.
- af den 8. maj 2000 "angående emission af støj til omgivelserne" **2000/14/EF**.
Overensstemmelsesvurdering i henhold til Bilag V. Oplysninger om støjemissioner findes i *Tekniske data på side 68*.
- af den 8. juni 2011 "om begrænsning af anvendelsen af visse farlige stoffer i elektrisk og elektronisk udstyr" **2011/65/EU**

Der er anvendt følgende standarder:

EN ISO 12100-2/A1:2009, CISPR 12:2009, EN 15503:2009/A2:2015, EN 50581:2012

RISE SMP Svensk Maskinprovning AB, har foretaget frivillig typegodkendelse for Husqvarna AB. Certifikatet er nummereret: **SEC/14/2423** - 525BX

Huskvarna, 2020-01-01



Per Gustafsson, udviklingschef (autoriseret repræsentant for Husqvarna AB og ansvarlig for teknisk dokumentation)

Inhalt

Einleitung.....	71	Fehlerbehebung.....	80
Sicherheit.....	72	Transport und Lagerung.....	81
Montage.....	75	Technische Angaben.....	82
Betrieb.....	75	EG-Konformitätserklärung.....	84
Wartung.....	78		

Einleitung

Gerätebeschreibung

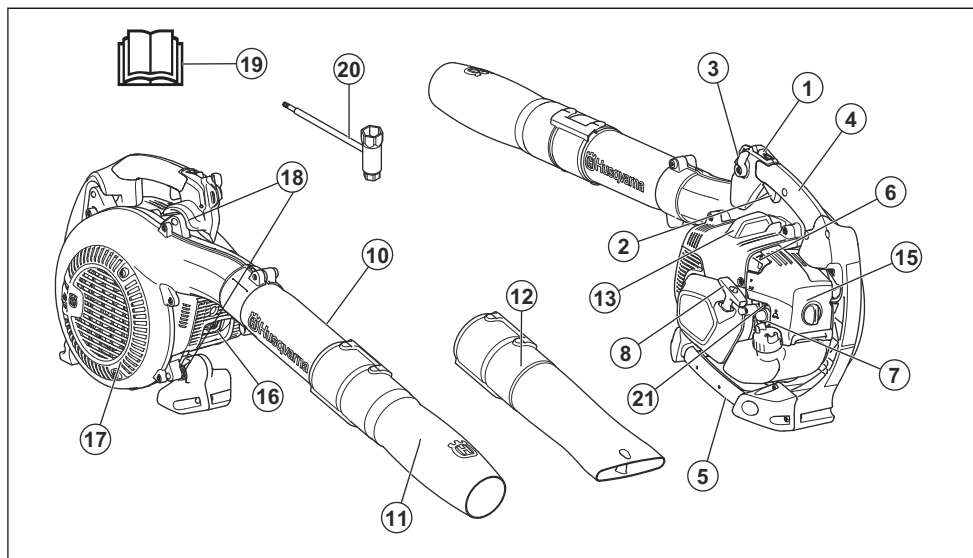
Bei diesem Gerät handelt es sich um ein Laubbläsergerät mit einem Verbrennungsmotor.

Wir arbeiten ständig an der Weiterentwicklung unserer Geräte und behalten uns daher das Recht auf Änderungen ohne vorherige Ankündigung, z. B. von Form und Aussehen, vor.

Verwendungszweck

Verwenden Sie das Gerät, um Blätter und anderes unerwünschtes Material von Bereichen wie Rasen, Wegen oder Asphaltstraßen zu blasen.

Geräteübersicht



- | | |
|------------------------|--------------------------|
| 1. Start/Stop-Schalter | 10. Zwischenrohr |
| 2. Gashebel | 11. Runddüse |
| 3. Gashebel | 12. Flachdüse |
| 4. Steuergriff | 13. Zündkerze |
| 5. Griff | 14. Kraftstofftankdeckel |
| 6. Choke-Hebel | 15. Luftfilter |
| 7. Kraftstoffpumpe | 16. Schalldämpfer |
| 8. Startseilhandgriff | 17. Lufteinlassgitter |
| 9. Klemmschraube | 18. Antivibrationssystem |

- 19. Bedienungsanleitung
- 20. Kombischlüssel
- 21. Leerlaufeinstellschraube

Symbole auf dem Gerät



WARNUNG! Dieses Gerät kann gefährlich sein und schwere oder tödliche Verletzungen des Bedieners oder anderer Personen verursachen. Gehen Sie vorsichtig vor, und verwenden Sie das Gerät ordnungsgemäß.



Lesen Sie die Bedienungsanleitung sorgfältig durch, und machen Sie sich vor der Benutzung mit dem Inhalt vertraut.



Tragen Sie einen geprüften Gehör- und Augenschutz. Tragen Sie eine Atemschutzmaske, falls es in der Umgebung zu Staubentwicklung kommt.



Tragen Sie zugelassene Schutzhandschuhe.



Dieses Gerät stimmt mit den geltenden EG-Richtlinien überein.



Mischung aus Benzin und Zweitaktöl.



Kraftstoffpumpenblase.



Choke, geöffnete Stellung.



Choke, geschlossene Stellung.



Umweltbelastende Geräuschemissionen gemäß der entsprechenden EG-Richtlinie 2000/14/EG und der australischen „Protection of the Environment Operations (Noise Control) Regulation 2017“ (Umweltschutz-/

Lärmschutzbestimmung) von New South Wales. Daten zu Geräuschemissionen sind auf dem Geräteschild und im Abschnit „Technische Daten“ angegeben.



Achten Sie auf weggeschleuderte Gegenstände. Weggeschleuderte Gegenstände können schwere Verletzungen verursachen. Tragen Sie eine persönliche Schutzausrüstung.



Halten Sie einen Sicherheitsabstand von mindestens 15 m zu Personen oder Tieren ein.

yyyywwxxxx

Das Typenschild zeigt die Seriennummer. **yyyy** ist das Produktionsjahr, **ww** ist die Produktionswoche.

Hinweis: Weitere Symbole/Aufkleber auf dem Gerät beziehen sich auf die Zertifizierungsanforderungen für andere kommerzielle Bereiche.

Emissionen nach Euro V



WARNUNG: Bei jeglichen Manipulationen des Motors erlischt die EU-Typgenehmigung für dieses Produkt.

Produkthaftung

Im Sinne der Produkthaftungsgesetze übernehmen wir keine Haftung für Schäden, die unser Gerät verursacht, wenn...

- das Gerät nicht ordnungsgemäß repariert wird.
- das Gerät mit Teilen repariert wird, die nicht vom Hersteller stammen oder nicht vom Hersteller zugelassen sind.
- ein Zubehörteil mit dem Gerät verwendet wird, das nicht vom Hersteller stammt oder nicht vom Hersteller zugelassen ist.
- das Gerät nicht bei einem zugelassenen Service Center oder von einem zugelassenen Fachmann repariert wird.

Sicherheit

Sicherheitsdefinitionen

Die nachstehenden Definitionen geben den Schweregrad für jedes Signalwort an.



WARNUNG: Personenschäden.



ACHTUNG: Schäden am Gerät.

Hinweis: Diese Informationen erleichtern die Verwendung des Geräts.

Allgemeine Sicherheitshinweise



WARNUNG: Lesen Sie die folgenden Warnhinweise, bevor Sie das Gerät verwenden.

- Nehmen Sie ohne die Zustimmung des Herstellers keine Änderung an dem Gerät vor und verwenden Sie stets Originalzubehör. Änderungen und/oder Zubehörteile, die nicht genehmigt sind, können zu schweren oder sogar tödlichen Verletzungen des Bedieners oder anderer Personen führen.
- Verwenden Sie das Gerät nicht, wenn es beschädigt ist. Führen Sie alle Sicherheitskontrollen und Wartungsarbeiten gemäß dieser Bedienungsanleitung durch. Alle anderen Wartungsarbeiten müssen von autorisiertem Wartungspersonal durchgeführt werden.
- Alle Wartungs- und Reparaturarbeiten müssen von autorisiertem Wartungspersonal durchgeführt werden. Wenden Sie sich an Ihren Servicehändler, falls ein Teil des Geräts defekt ist.
- Lassen Sie Kinder das Gerät nicht bedienen. Stellen Sie sicher, dass alle Bediener den Inhalt dieser Bedienungsanleitung lesen und verstehen.
- Halten Sie Hände oder andere Gegenstände während des Betriebs vom Gehäuse des Laubbläsergeräts fern. Rotierende Teile können schwere Verletzungen verursachen.
- Verwenden Sie das Gerät nicht, wenn das Lufteinlassgitter nicht montiert ist. Stellen Sie vor der Verwendung immer sicher, dass das Lufteinlassgitter montiert und nicht beschädigt ist.
- Lösen Sie im Notfall den Hüftgurt und den Brustgurt des Tragegurts und lassen Sie das Gerät auf den Boden fallen.
- Beachten Sie die nationalen Bestimmungen und Vorschriften.
- Kommen Sie nicht mit heißen Oberflächen in Berührung.
- Zu viele Vibrationen können Schäden am Blutkreislauf oder am Nervensystem verursachen. Sprechen Sie mit Ihrem Arzt, wenn Sie Symptome erkennen, zum Beispiel Einschlafen von Körperteilen, Gefühlsverlust, Jucken, Stechen, Schmerzen, Verlust der normalen Körperkraft oder Veränderungen der Hautfarbe an Ihren Fingern, Händen oder Handgelenken.
- Achten Sie auf weggeschleuderte Gegenstände. Weggeschleuderte Gegenstände können schwere Verletzungen verursachen.
- Vermeiden Sie es, das Gerät bei schlechtem Wetter zu benutzen, beispielsweise bei Nebel, Regen, starkem Wind oder bei großer Kälte. Arbeiten bei schlechtem Wetter kann zu Ermüdung und zu gefährlichen Situationen führen.

Sicherheitshinweise für den Betrieb



WARNUNG: Lesen Sie die folgenden Warnhinweise, bevor Sie das Gerät verwenden.

- Dieses Gerät kann gefährlich sein und schwere oder tödliche Verletzungen des Bedieners oder anderer Personen verursachen. Gehen Sie vorsichtig vor, und verwenden Sie das Gerät ordnungsgemäß.
- Überprüfen Sie das Gerät vor dem Gebrauch. Siehe *Wartung auf Seite 78*.
- Arbeiten Sie nicht mit dem Gerät, wenn Sie müde oder krank sind oder unter Einfluss von Alkohol, Drogen oder Medikamenten stehen, die Ihre Sehkraft, Ihr Urteils- oder Koordinationsvermögen beeinträchtigen können.
- Montieren Sie vor der Benutzung alle Abdeckungen und Schutzvorrichtungen. Stellen Sie sicher, dass der Zündkerzenstecker und das Zündkabel nicht beschädigt sind, um Stromschläge zu vermeiden.
- Berühren Sie niemals die Zündkerze oder das Zündkabel bei laufendem Motor.
- Halten Sie einen Sicherheitsabstand von mindestens 15 m zu Personen oder Tieren ein. Falls Personen, Kinder oder Tiere näher als 15 m kommen, schalten Sie das Gerät aus. Richten Sie das Gerät nicht auf Personen, Tiere, offene Fenster und andere Gegenstände.
- Stellen Sie sicher, dass Sie sich beim Arbeiten bewegen und stabil stehen können. Kontrollieren Sie den Arbeitsbereich auf mögliche Hindernisse, zum Beispiel Steine. Seien Sie vorsichtig, wenn Sie das Gerät an einem Hang einsetzen.
- Setzen Sie das Gerät bei eingeschaltetem Motor nicht auf dem Boden ab.
- Arbeiten Sie mit dem Gerät nicht von erhöhten Positionen aus, zum Beispiel auf einer Leiter.
- Stellen Sie sicher, dass man Sie immer hört, falls es zu einem Unfall kommt.
- Stellen Sie sicher, dass der Auspuff nicht blockiert ist. Um Schäden am Gerät zu vermeiden, achten Sie darauf, dass Hindernisse mindestens 50 cm vom Auspuff entfernt sind.
- Starten Sie das Gerät nicht im Innenbereich, bei schlechter Belüftung oder in der Nähe von feuergefährlichen Stoffen. Die Motorabgase enthalten Kohlenmonoxid, das eine Kohlenmonoxidvergiftung verursachen kann. Die Abgase sind heiß und können Funken enthalten, die einen Brand verursachen können.

Persönliche Schutzausrüstung



WARNUNG: Lesen Sie die folgenden Warnhinweise, bevor Sie das Gerät benutzen.

- Verwenden Sie die vorgeschriebene persönliche Schutzausrüstung bei der Benutzung des Geräts. Durch Tragen persönlicher Schutzausrüstung können Verletzungen nicht vollständig ausgeschlossen werden, aber im Ernstfall kann so die Verletzungsschwere reduziert werden. Ihr Händler steht Ihnen gern für weitere Informationen zur Verfügung.
- Tragen Sie einen zugelassenen Gehörschutz. Eine längerfristige Lärmeinwirkung kann zu bleibenden Gehörschäden führen.
- Tragen Sie einen zugelassenen Augenschutz. Bei der Benutzung eines Visiers ist außerdem eine zugelassene Schutzbrille zu tragen. Zugelassene Schutzbrillen müssen die Normen ANSI Z87.1 für die USA bzw. EN 166 für EU-Länder erfüllen.
- Verwenden Sie Schutzhandschuhe während des Betriebs und der Wartung.
- Tragen Sie Schutzstiefel oder Schuhe mit rutschfester Sohle.
- Tragen Sie strapazierfähige Kleidung ohne kurze Hosen oder kurze Ärmel. Tragen Sie keinen Schmuck oder offene Schuhe. Um die Verletzungsgefahr zu senken, muss Ihre Kleidung eng sitzen, darf aber Ihre Bewegungen nicht einschränken. Binden Sie Ihre Haare zusammen, sodass sie nicht über Ihre Schultern fallen, um zu verhindern, dass sich Ihre Haare in rotierenden Teilen oder in Zweigen verfangen.
- Verwenden Sie bei Staubgefahr einen Atemschutz.
- Eine Erste-Hilfe-Ausrüstung sollte stets griffbereit sein.

Sicherheitsvorrichtungen am Gerät



WARNUNG: Lesen Sie die folgenden Warnhinweise, bevor Sie das Gerät benutzen.

- Benutzen Sie kein Gerät mit defekten Sicherheitsvorrichtungen.
- Führen Sie regelmäßig eine Überprüfung der Sicherheitsvorrichtungen durch. Siehe *Wartung auf Seite 78*.
- Wenn die Sicherheitsvorrichtungen defekt sind, wenden Sie sich an Ihre Husqvarna-Servicewerkstatt.

So prüfen Sie den Schalldämpfer



WARNUNG: Verwenden Sie kein Gerät mit defektem Schalldämpfer.



WARNUNG: Der Schalldämpfer wird während und nach dem Betrieb – auch im Leerlauf – sehr heiß. Tragen Sie Schutzhandschuhe, um Verbrennungen zu vermeiden.



WARNUNG: Die Innenseite des Schalldämpfers enthält Chemikalien, die karzinogen sein können. Berühren Sie den Schalldämpfer nicht, wenn er beschädigt ist.

- Führen Sie regelmäßig eine Sichtprüfung des Schalldämpfers durch. Der Schalldämpfer senkt den Geräuschpegel so weit wie möglich und hält die Abgase des Motors vom Bediener fern. Siehe *Wartung des Schalldämpfers auf Seite 79*.

So prüfen Sie das Antivibrationssystem

1. Kontrollieren Sie, dass die Antivibrationseinheiten keine Risse oder Deformationen aufweisen.
2. Kontrollieren Sie, ob die Antivibrationselemente zwischen Motoreinheit und Handgriffeinheit korrekt verankert sind.

Unter *Geräteübersicht auf Seite 71* finden Sie Informationen darüber, wo das Antivibrationssystem sich an Ihrem Gerät befindet.

So prüfen Sie den Start-/Stopp-Schalter

1. Drücken Sie den Start-/Stopp-Schalter, um den Motor abzustellen.
2. Vergewissern Sie sich, dass der Motor vollständig zum Stillstand gekommen ist.

Um herauszufinden, wo sich der Start-/Stopp-Schalter an Ihrem Gerät befindet, siehe *Geräteübersicht auf Seite 71*.

Sicherer Umgang mit Kraftstoff



WARNUNG: Lesen Sie die folgenden Warnhinweise, bevor Sie das Gerät benutzen.

- Mischen Sie keinen Kraftstoff/betanken Sie das Gerät weder im Innenbereich noch in der Nähe einer Wärmequelle.
- Starten Sie den Motor nicht, wenn Sie Öl oder Kraftstoff auf das Gerät oder auf Ihren Körper verschüttet haben.
- Starten Sie das Gerät nicht, wenn Kraftstoff aus dem Motor austritt. Überprüfen Sie den Motor regelmäßig auf Kraftstoffundichtigkeiten.
- Gehen Sie mit Kraftstoff immer vorsichtig um. Kraftstoff ist entflammbar, und die Dämpfe sind explosiv und können zu Verletzungen oder sogar zum Tod führen.

- Atmen Sie die Kraftstoffdämpfe nicht ein, denn sie sind gesundheitsschädigend. Achten Sie auf ausreichende Belüftung.
- Rauchen Sie nicht in der Nähe des Kraftstoffs oder des Motors.
- Bringen Sie weder das Gerät noch einen Kraftstoffbehälter in Bereiche mit heißen Gegenständen, offener Flamme, Funkenbildung oder Zündflammen.
- Verwenden Sie für die Lagerung und den Transport von Kraftstoff immer zugelassene Behälter.
- Schalten Sie den Motor aus, schrauben Sie die Zündkerze heraus und lassen Sie den Motor vor der Wartung und Montage abkühlen.
- Ein schmutziger Funkenschutz führt zur Überhitzung des Motors, was Schäden am Motor zur Folge hat.
- Wenn das Funkenfängernetz häufig verstopft ist, kann dies ein Zeichen dafür sein, dass der Katalysator nicht einwandfrei arbeitet. Lassen Sie den Schalldämpfer von Ihrem Servicehändler kontrollieren.

Sicherheitshinweise für die Wartung



WARNUNG: Lesen Sie die folgenden Warnhinweise, bevor Sie das Gerät verwenden.

Montage

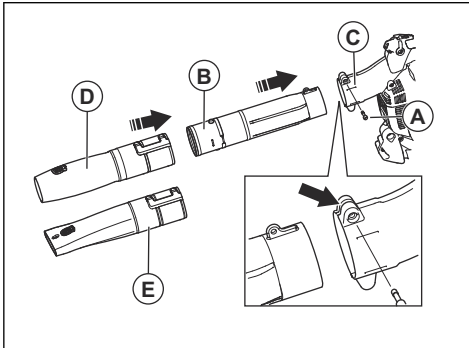
Einleitung



WARNUNG: Lesen Sie vor der Montage des Geräts das Kapitel über Sicherheit, und machen Sie sich damit vertraut.

Zur Montage des Blasrohrs

1. Lösen Sie die Klemmschraube (A).



2. Montieren Sie das Zwischenrohr (B) am Blasrohr (C).
3. Setzen Sie die Klemmschraube (A) ein und ziehen Sie sie fest.
4. Bringen Sie die Runddüse (D) oder die Flachdüse (E) am Zwischenrohr an.

Betrieb

Einleitung



WARNUNG: Lesen Sie vor Gebrauch des Geräts das Kapitel über Sicherheit, und machen Sie sich damit vertraut.



ACHTUNG: Die Verwendung eines falschen Kraftstoffs kann zu einer Beschädigung des Motors führen. Verwenden Sie eine Mischung aus Benzin und Zweitaktöl.

Kraftstoff

Dieses Produkt verfügt über einen Zweitaktmotor.

Vorgemischter Kraftstoff

- Verwenden Sie Husqvarna vorgemischten Alkylatkraftstoff. Dies sorgt für die beste Leistung und eine Verlängerung der Lebensdauer des Motors. Im Vergleich zu herkömmlichem Kraftstoff enthält

dieser Kraftstoff weniger gesundheitsschädliche Substanzen, wodurch der Ausstoß schädlicher Abgase verringert wird. Die Menge von Rückständen nach der Verbrennung ist bei diesem Kraftstoff niedriger. Dadurch bleiben die Bauteile des Motors sauberer.

So mischen Sie Kraftstoff vor

Benzin

- Verwenden Sie hochwertiges bleifreies Benzin mit maximal 10 % Ethanol (E10).



ACHTUNG: Verwenden Sie kein Benzin mit einer geringeren Oktanzahl als 90 RON (87 AKI). Bei Einsatz von Kraftstoff mit niedrigerer Oktanzahl kann es zu einem Klopfen im Motor kommen, das Motorschäden verursacht.

Zweitaktöl

- Verwenden Sie für beste Ergebnisse und die beste Leistung Husqvarna Zweitaktöl.
- Wenn Husqvarna Zweitaktöl nicht verfügbar ist, verwenden Sie ein qualitativ hochwertiges Zweitaktöl für luftgekühlte Motoren. Wenden Sie sich an Ihren Kundendienst zur Auswahl der richtigen Ölsorte.



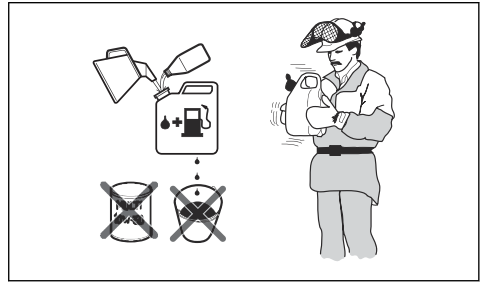
ACHTUNG: Verwenden Sie kein Zweitaktöl für wassergekühlte Außenbordmotoren (auch Outboardoil genannt). Verwenden Sie kein Öl für Viertaktmotoren.

So mischen Sie Benzin und Zweitaktöl

Benzin, Liter	Zweitaktöl, Liter
	2 % (50:1)
5	0,10
10	0,20
15	0,30
20	0,40



ACHTUNG: Beim Mischen kleiner Kraftstoffmengen wirken sich auch kleine Abweichungen bei der Ölmenge stark auf das Mischungsverhältnis aus. Um das korrekte Mischungsverhältnis sicherzustellen, muss die beizumischende Ölmenge genau abgemessen werden.



1. Füllen die Hälfte des Benzins in einen sauberen Kraftstoffbehälter.
2. Fügen Sie die gesamte Menge Öl hinzu.
3. Schütteln Sie die Kraftstoffmischung.
4. Geben Sie dann den Rest des Benzins in den Behälter dazu.
5. Schütteln Sie die Kraftstoffmischung sorgfältig.



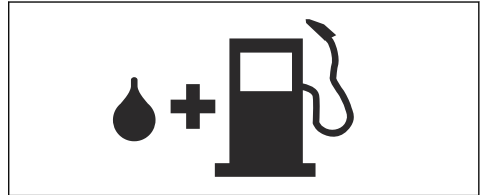
ACHTUNG: Mischen Sie Kraftstoff höchstens für einen Monat im Voraus.

So füllen Sie den Kraftstofftank



WARNUNG: Befolgen Sie zu Ihrer eigenen Sicherheit das folgende Verfahren.

1. Stellen Sie den Motor ab, und lassen Sie den Motor abkühlen.
2. Säubern Sie den Bereich rund um den Tankdeckel.



3. Schütteln Sie den Behälter, und stellen Sie sicher, dass der Kraftstoff vollständig vermischt ist.
4. Entfernen Sie den Tankdeckel langsam, damit der Druck entweichen kann.
5. Füllen Sie den Kraftstofftank auf.



ACHTUNG: Stellen Sie sicher, dass der Kraftstofftank nicht zu viel Kraftstoff enthält. Der Kraftstoff dehnt sich beim Erwärmen aus.

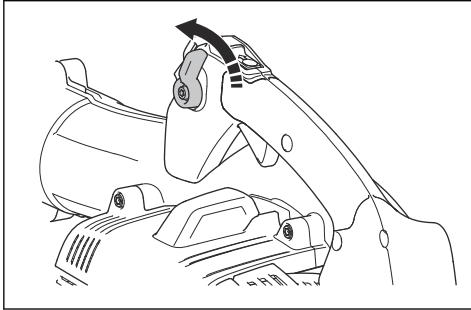
6. Ziehen Sie den Kraftstofftankdeckel vorsichtig fest.
7. Reinigen Sie das Gerät und den umgebenden Bereich von verschüttetem Kraftstoff.

8. Bewegen Sie das Gerät vor dem Start mindestens 3 m (10 ft) aus dem Auftankbereich und von der Kraftstoff-Auftankquelle weg.

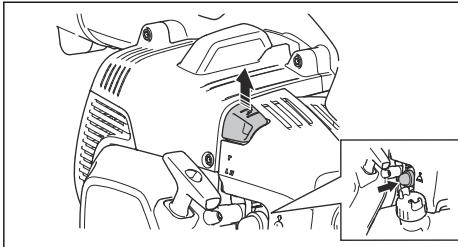
Hinweis: Um herauszufinden, wo sich der Kraftstofftank an Ihrem Gerät befindet, siehe *Einleitung auf Seite 71*.

So starten Sie das Gerät

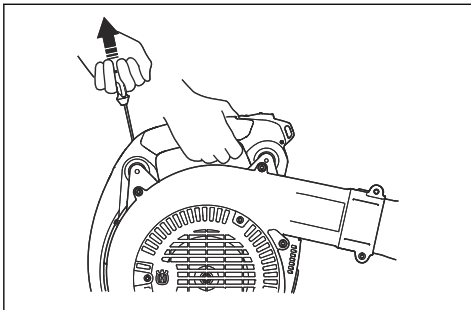
1. Bewegen Sie den Gashebel in die Leerlaufstellung.



2. Wenn der Motor kalt ist, bringen Sie den Choke-Hebel in die Stellung „Choke geschlossen“.



3. Drücken Sie mehrmals die Kraftstoffpumpenblase, bis sich die Kraftstoffpumpenblase mit Kraftstoff füllt. Es ist nicht erforderlich, die Kraftstoffpumpenblase vollständig zu füllen.
4. Stellen Sie das Gerät auf einer ebenen Oberfläche auf dem Boden ab.
5. Halten Sie das Gerät mit der rechten Hand fest.



ACHTUNG: Halten Sie das Gerät nicht mit den Füßen fest.

6. Ziehen Sie langsam am Startseilhandgriff, bis Sie Widerstand spüren.
7. Ziehen Sie mit Ihrer linken Hand schnell am Startseilhandgriff. Ziehen Sie wiederholt am Startseilhandgriff, bis der Motor anspringt.

Hinweis: Ziehen Sie das Startseil nicht vollständig heraus, und lassen Sie den Startseilhandgriff nicht los.

8. Wenn der Motor kalt ist, bringen Sie den Choke-Hebel in die geöffnete Stellung.
9. Wenn der Motor kalt ist, lassen Sie ihn 2-3 Minuten laufen, damit er warm wird bevor Sie mit den Arbeiten beginnen.



WARNUNG: Wenn der Motor gestartet ist und das Gerät im Leerlauf läuft, wird Luft ausgeblasen. Lassen Sie niemanden in die Nähe des Geräts oder des Blasrohrs kommen.

So bedienen Sie das Gerät

- Nehmen Sie das Gerät zu normalen Arbeitszeiten in Betrieb. Beachten Sie die örtlichen Vorschriften.
- Senken Sie die Geräteteile und wählen Sie die korrekte Drehzahl für Ihre Aufgabe. Stellen Sie den Gashebel auf eine möglichst niedrige Stellung, um nicht mehr Lärm und Staub als nötig zu verursachen.
- Halten Sie die Ausblasöffnung nahe am Boden.

Hinweis: Husqvarna empfiehlt, dass Sie die komplette Verlängerung der Ausblasöffnung verwenden.

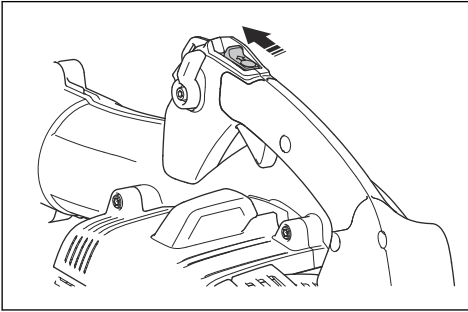
- Achten Sie auf die Windrichtung und arbeiten Sie mit dem Gerät in Windrichtung.
- Verwenden Sie die entsprechenden Gartengeräte, um Material vom Boden zu entfernen.
- Verwenden Sie in staubigen Bereichen Sprühvorrichtungen, um den Bereich zu befeuchten. Dadurch wird die Betriebszeit verkürzt.
- Bewahren Sie das Gerät nach der Verwendung vertikal auf.

So schalten Sie den Motor aus



ACHTUNG: Schalten Sie das Gerät nicht aus, wenn es mit Vollgas läuft.

- Bringen Sie den Start/Stop-Schalter in die Stop-Position.



Wartung

Einleitung



WARNUNG: Lesen Sie vor dem Warten des Geräts das Kapitel über Sicherheit, und machen Sie sich damit vertraut.

Wartungsplan

Wartungsarbeit	Täglich	Wöchentlich	Monatlich
Außenflächen reinigen.	X		
Vergewissern Sie sich, dass der Gashebel ordnungsgemäß funktioniert.	X		
Sicherstellen, dass der Start/Stop-Schalter ordnungsgemäß funktioniert. Siehe <i>So prüfen Sie den Start-/Stopp-Schalter auf Seite 74.</i>	X		
Motor, Kraftstofftank und Kraftstoffleitungen auf Undichtigkeiten überprüfen. Kraftstofffilter auf Verunreinigungen untersuchen. Kraftstofffilter bei Bedarf austauschen.	X		
Luftfilter reinigen. Luftfilter bei Bedarf austauschen.	X		
Muttern und Schrauben anziehen.	X		
Den Lufteinlass untersuchen und sicherstellen, dass er nicht verstopft ist.	X		
Startvorrichtung und Startseil auf Beschädigungen überprüfen.		X	
Die Antivibrationseinheiten auf Beschädigungen, Risse und Verschleiß überprüfen. Sicherstellen, dass die Antivibrationseinheiten korrekt montiert sind.		X	
Zündkerze überprüfen. Siehe <i>So prüfen Sie die Zündkerze auf Seite 79.</i>		X	
Kühlsystem reinigen.		X	
Außenseite des Vergasers und den umliegenden Bereich reinigen.		X	
Kraftstofftank reinigen.			X
Alle Kabel und Anschlüsse überprüfen.			X

Wartungsarbeit	Täglich	Wöchentlich	Monatlich
Das Funkenschutzgitter am Schalldämpfer untersuchen und reinigen (bei Geräten ohne Katalysator).		X	
Das Funkenschutzgitter am Schalldämpfer untersuchen und reinigen (bei Geräten mit Katalysator).			X
Zündkerze ersetzen. Stellen Sie sicher, dass sie mit einer sog. Funkenstörung verbunden ist.			X

So stellen Sie die Leerlaufdrehzahl ein

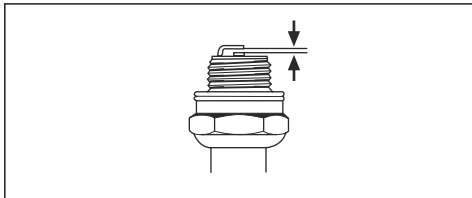
1. Stellen Sie sicher, dass der Luftfilter sauber und der Luftfilterdeckel angebracht ist.
2. Stellen Sie die Leerlaufdrehzahl mit der Leerlauf Einstellschraube ein. Um herauszufinden, wo sich die Leerlauf Einstellschraube an Ihrem Gerät befindet, siehe *Geräteübersicht auf Seite 71*.

So prüfen Sie die Zündkerze



ACHTUNG: Verwenden Sie die empfohlene Zündkerze. Siehe *So prüfen Sie die Zündkerze auf Seite 79*. Eine falsche Zündkerze kann zu Schäden am Gerät führen.

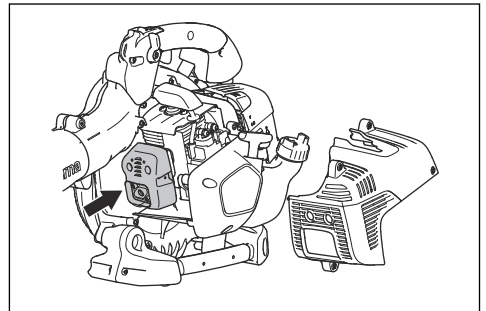
1. Stellen Sie den Motor ab, und lassen Sie das Gerät abkühlen.
2. Reinigen Sie die Zündkerze, wenn sie schmutzig ist.
3. Stellen Sie sicher, dass der Elektrodenabstand korrekt ist. Siehe *Technische Daten auf Seite 82*.



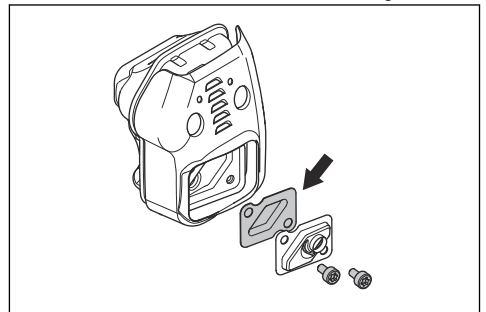
4. Ersetzen Sie die Zündkerze monatlich oder ggf. häufiger.

Wartung des Schalldämpfers

1. Stellen Sie den Motor ab und lassen Sie den Schalldämpfer abkühlen. Tragen Sie stets Schutzhandschuhe.



2. Entfernen Sie die Abdeckung des Schalldämpfers.
3. Führen Sie eine Sichtprüfung durch. Tauschen Sie den Funkenschutz aus, wenn er beschädigt ist.



So untersuchen und reinigen Sie das Kühlsystem

Das Kühlsystem umfasst die Kühlrippen auf dem Zylinder und das Lufterlassgitter.

1. Stoppen Sie den Motor.
2. Stellen Sie sicher, dass das Kühlsystem nicht verschmutzt oder verstopft ist. Falls notwendig, reinigen Sie das Lufterlassgitter und die Kühlrippen.



ACHTUNG: Eine Verschmutzung oder Verstopfung des Kühlsystems kann zu einer Überhitzung des Motors führen, wodurch das Gerät beschädigt werden kann. Ein verstopftes Lufterlassgitter senkt die Blaskraft.

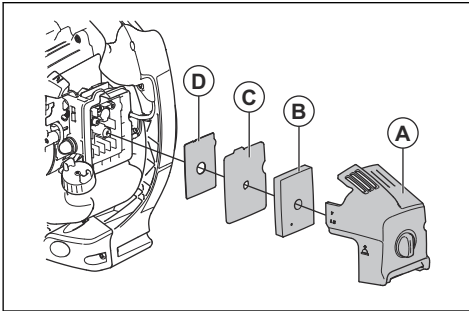
- Untersuchen Sie das Kühlsystem auf Beschädigungen. Stellen Sie sicher, dass alle Teile korrekt am Gerät befestigt sind.

So reinigen Sie den Luftfilter



ACHTUNG: Verwenden Sie das Gerät nicht ohne einen Luftfilter oder mit einem verschmutzten Luftfilter. Staub in der Luft kann zu einer Beschädigung des Motors führen.

- Bewegen Sie den Choke-Hebel in die Stellung „Choke geschlossen“.
- Entfernen Sie den Luftfilterdeckel (A).



- Entfernen Sie den Luftfilter (B) vom Filterrahmen.
- Reinigen Sie den Luftfilter (B) mit warmem Wasser und Seife.

Hinweis: Ein Luftfilter, der über lange Zeit verwendet wurde, kann nicht vollständig gereinigt werden. Wechseln Sie den Luftfilter regelmäßig aus, und ersetzen Sie stets defekte Luftfilter.

- Reinigen Sie die Innenseite des Luftfilterdeckels (A) mit einer Bürste.
- Entfernen Sie und tauschen Sie den Filzfilter (C) bei Verschmutzung aus.
- Montieren Sie das Gitter (D), den Filzfilter (C) und den Luftfilter (B).
- Montieren Sie die Luftfilterabdeckung (A) am Gerät.

Fehlerbehebung

Der Motor lässt sich nicht starten		
Prüfung	Mögliche Ursache	Lösung
Stopp-Taste.	Stopp-Position	Den Start-/Stopp-Schalter in die Startposition stellen.
Starterklinke/n.	Gespernte oder verschlissene Starterklinke/n.	Die Starterklinke/n einstellen oder austauschen.
		Den Bereich um die Starterklinke/n reinigen.
		Einen zugelassenen Servicehändler kontaktieren.
Kraftstofftank.	Falsche Kraftstoffsorte.	Den Kraftstofftank entleeren und mit dem richtigen Kraftstoff befüllen.
Vergaser.	Einstellung der Leerlaufdrehzahl.	Die Leerlaufdrehzahl mit der Leerlaufstellschraube einstellen.

Der Motor lässt sich nicht starten		
Prüfung	Mögliche Ursache	Lösung
Zündung (ohne Funken).	Die Zündkerze ist verschmutzt oder feucht.	Sicherstellen, dass die Zündkerze sauber und trocken ist.
	Elektrodenabstand an der Zündkerze ist nicht korrekt.	Die Zündkerze reinigen. Sicherstellen, dass der Elektrodenabstand korrekt ist. Sicherstellen, dass die Zündkerze über eine sog. Funkenstörung verfügt. Der korrekte Elektrodenabstand ist in den technischen Daten angegeben.
Zündkerze.	Zündkerze sitzt lose.	Die Zündkerze festziehen.
	Auf den Elektroden der Zündkerze befinden sich unerwünschte Ablagerungen.	Sicherstellen, dass die Kraftstoffmischung korrekt ist. Sicherstellen, dass der Luftfilter sauber ist.

Der Motor startet, geht aber wieder aus		
Prüfung	Mögliche Ursache	Lösung
Kraftstofftank.	Falsche Kraftstoffsorte.	Den Behälter entleeren und den richtigen Kraftstoff verwenden.
Vergaser.	Der Motor funktioniert im Leerlauf nicht ordnungsgemäß.	Den Händler kontaktieren.
Luftfilter.	Verstopfter Luftfilter.	Luftfilter reinigen.

Transport und Lagerung



WARNUNG: Um Brandgefahr zu vermeiden, stellen Sie sicher, dass es während Transport oder Lagerung nicht zu Undichtigkeiten oder Abgasen kommt. Stellen Sie sicher, dass kein Funken- oder Brandrisiko besteht.

- Leeren Sie den Kraftstofftank, bevor Sie das Gerät transportieren oder für längere Zeit einlagern. Drücken Sie auf die Kraftstoffpumpenblase, um sicherzustellen, dass der gesamte Kraftstoff entfernt wurde. Entsorgen Sie den Kraftstoff in einer geeigneten Abfallentsorgungsstelle.
- Bevor das Gerät über längere Zeit gelagert wird, stellen Sie sicher, dass es sauber ist und eine umfassende Wartung durchgeführt wurde.
- Entfernen Sie die Zündkerze und geben Sie ca. 15 ml Zweitaktöl in den Zylinder. Drehen Sie den Motor des Geräts 3 Mal durch und bauen Sie die Zündkerze wieder ein.
- Befestigen Sie das Gerät während des Transports sicher am Fahrzeug.
- Lagern Sie das Gerät an einem trockenen, kühlen und sauberen Ort mit guter Belüftung. Achten Sie darauf, das Gerät von Kindern fernzuhalten.

Technische Angaben

Technische Daten

	Husqvarna 525BX
Motor	
Hubraum, cm ³	25,4
Leerlaufdrehzahl, U/min	3000
Katalysator	Ja
Zündanlage	
Zündkerze	NGK BPMR8Y
Elektrodenabstand, mm	0,6–0,7
Kraftstoff- und Schmiersystem	
Füllmenge Kraftstofftank, l / cm ³	0,45 / 450
Gewicht	
Gewicht ohne Kraftstoff, kg	4,4
Geräuschemissionen¹⁶	
Gemessener Schalleistungspegel dB (A)	104
Schalleistungspegel, garantiert L _{WA} dB (A)	106
Geräuschpegel¹⁷	
Äquivalenter Schalldruckpegel am Ohr des Bedieners, gemessen gem. EN 15503, dB (A):	
Mit Runddüse ausgestattet	91
Mit Flachdüse ausgestattet	92
Vibrationspegel¹⁸	
Äquivalente Vibrationspegel (a _{h_v,eq}) an den Griffen, gemessen nach EN 15503, m/s ²	
Mit Runddüse ausgestattet	1,2
Mit Flachdüse ausgestattet	2,0
Gebläseleistung	
Maximale Luftgeschwindigkeit mit Runddüse, m/s	70

¹⁶ Umweltbelastende Geräuschemissionen, gemessen als Schalleistung (L_{WA}) gemäß EG-Richtlinie 2000/14/EG. Der aufgezeichnete Schalleistungspegel für das Gerät wurde unter Verwendung der originalen Ausblasöffnung mit dem höchsten Pegel gemessen. Der Unterschied zwischen garantiertem und gemessenem Schalleistungspegel besteht darin, dass beim garantierten Schalleistungspegel auch eine Streuung im Messergebnis und Variationen zwischen verschiedenen Geräten desselben Modells gemäß der Richtlinie 2000/14/EG berücksichtigt werden.

¹⁷ Berichten zufolge liegt der Schalldruckpegel normalerweise bei einer Ausbreitungsklasse (Standardabweichung) von 1,0 dB (A).

¹⁸ Berichten zufolge liegt der Vibrationspegel normalerweise bei einer Ausbreitungsklasse (Standardabweichung) von 1,0 m/s².

	Husqvarna 525BX
Maximale Luftgeschwindigkeit mit Flachdüse, m/s	86
Luftstrom mit Runddüse, m ³ /min	13
Luftstrom mit flacher Düse, m ³ /min	10

EG-Konformitätserklärung

EG-Konformitätserklärung

Husqvarna AB, SE-561 82 Huskvarna, Schweden, Tel. +46-36-146500, erklärt hiermit, dass das Laubblasgerät **Husqvarna 525BX** mit Seriennummer ab 2016 (die Jahreszahl wird im Klartext auf dem Typenschild angegeben, mitsamt einer nachfolgenden Seriennummer) den Vorschriften der RICHTLINIE DES RATES entspricht:

- „Maschinen-Richtlinie“ **2006/42/EG** vom 17. Mai 2006.
- „Richtlinie über elektromagnetische Verträglichkeit“, **2014/30/EU** vom 26. Februar 2014
- „Richtlinie über umweltbelastende Geräuschemissionen von zur Verwendung im Freien vorgesehenen Geräten und Maschinen“ **2000/14/EG** vom 8. Mai 2000 Beurteilung der Übereinstimmung gemäß Anhang V. Informationen zu Geräuschemissionen finden Sie unter *Technische Daten auf Seite 82*.
- „Richtlinie zur Beschränkung der Verwendung bestimmter gefährlicher Stoffe in Elektro- und Elektronikgeräten“ **2011/65/EU** vom 8. Juni 2011.

Die folgenden Normen werden erfüllt:

EN ISO 12100-2/A1:2009, CISPR 12:2009, EN 15503:2009/A2:2015, EN 50581:2012

RISE SMP Svensk Maskinprovning AB, hat im Auftrag von Husqvarna AB eine freiwillige Baumusterprüfung durchgeführt. Zertifikatsnummer: **SEC/14/2423** - 525BX

Huskvarna, 2020-01-01



Per Gustafsson, Entwicklungsleiter (bevollmächtigter Vertreter für Husqvarna AB, verantwortlich für die technische Dokumentation)

Περιεχόμενα

Εισαγωγή.....	85	Αντιμετώπιση προβλημάτων.....	94
Ασφάλεια.....	87	Μεταφορά και αποθήκευση.....	96
Συναρμολόγηση.....	89	Τεχνικά στοιχεία.....	97
Λειτουργία.....	90	Δήλωση Συμμόρφωσης ΕΚ.....	99
Συντήρηση.....	92		

Εισαγωγή

Περιγραφή προϊόντος

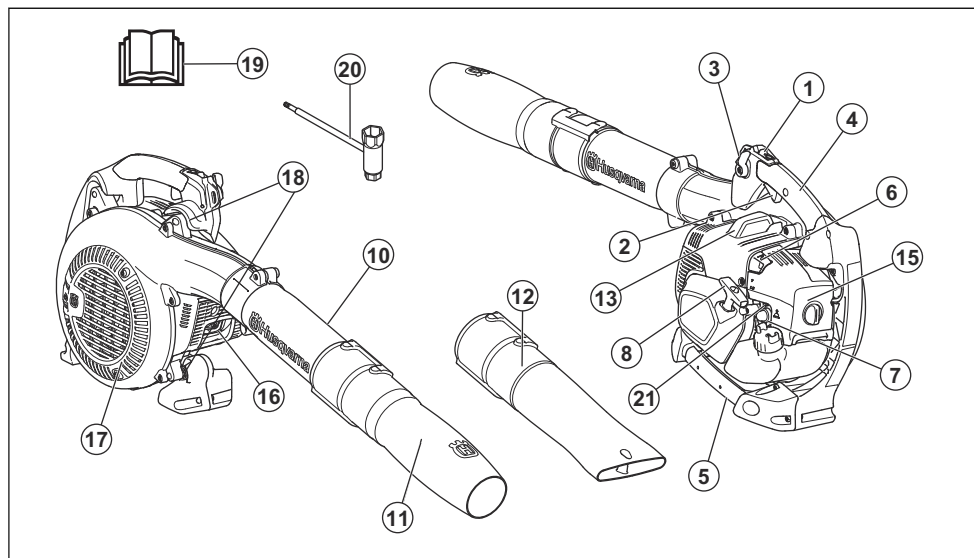
Αυτό το προϊόν είναι ένας φυσητήρας με κινητήρα καυσίμου.

Εφαρμόζουμε μια πολιτική συνεχούς ανάπτυξης προϊόντων και, συνεπώς, διατηρούμε το δικαίωμα να προβούμε σε τροποποιήσεις στο σχεδιασμό και την εμφάνιση των προϊόντων χωρίς προειδοποίηση.

Προβλεπόμενη χρήση

Χρησιμοποιήστε το προϊόν για να φυσηάτε φύλλα και άλλα ανεπιθύμητα υλικά από περιοχές όπως εκτάσεις με γκαζόν, μονοπάτια και ασφαλτοστρωμένοι δρόμοι.

Επισκόπηση προϊόντος



1. Διακόπτης εκκίνησης/διακοπής λειτουργίας
2. Σκανδάλη γκαζιού
3. Χειριστήριο γκαζιού
4. Χειριστήριο ελέγχου
5. Λαβή
6. Χειριστήριο τσοκ
7. Φούσκα πλήρωσης
8. Λαβή κορδονιού συστήματος εκκίνησης
9. Βίδα σφικτήρα
10. Ενδιάμεσος σωλήνας
11. Στρογγυλό ακροφύσιο
12. Ακροφύσιο επίπεδης δέσμης υγρού
13. Μπουζί
14. Τάπα νεπετόζιτου καυσίμου
15. Φίλτρο αέρα
16. Εξάτμιση
17. Σήτα εισαγωγής αέρα
18. Σύστημα απόσβεσης κραδασμών

19. Εγχειρίδιο χρήσης
20. Γερμανοπολύγλωγο κλειδί
21. Βίδα στροφών ανά λεπτό ρελαντί

του μηχανήματος και στο κεφάλαιο "Τεχνικά στοιχεία".

Σύμβολα στο προϊόν



ΠΡΟΕΙΔΟΠΟΙΗΣΗ! Αυτό το προϊόν μπορεί να είναι επικίνδυνο και να προκαλέσει σοβαρό τραυματισμό ή θάνατο του χειριστή ή άλλων ατόμων. Να είστε προσεκτικοί και να χρησιμοποιείτε το προϊόν σωστά.



Προτού χρησιμοποιήσετε το προϊόν, διαβάστε προσεκτικά το εγχειρίδιο χρήσης και βεβαιωθείτε ότι έχετε κατανοήσει τις οδηγίες.



Πρέπει να χρησιμοποιείτε προστατευτικά ακοής και εγκεκριμένα μέσα προστασίας των ματιών. Εάν το περιβάλλον περιέχει σκόνη, χρησιμοποιήστε μάσκα αναπνοής.



Χρησιμοποιείτε εγκεκριμένα προστατευτικά γάντια.



Αυτό το προϊόν συμμορφώνεται με τις ισχύουσες οδηγίες ΕΚ.



Μείγμα βενζίνης και λαδιού για δίχρονα κινητήρες.



Φούσκα πλήρωσης χειροκίνητης αντλίας καυσίμου (πουάρ).



Τσok, ανοιχτή θέση.



Τσok, κλειστή θέση.



Εκπομπές θορύβου στο περιβάλλον σύμφωνα με την ευρωπαϊκή οδηγία 2000/14/ΕΚ και τη νομοθεσία της Νότιας Νέας Ουαλίας "Κανονισμός για την προστασία των περιβαλλοντικών δράσεων (έλεγχος θορύβου) του 2017". Τα στοιχεία για τις εκπομπές θορύβου βρίσκονται στην ετικέτα



Προσέχετε τυχόν αντικείμενα που εκτοξεύονται. Τα αντικείμενα που εκτοξεύονται μπορούν να προκαλέσουν σοβαρό τραυματισμό. Πρέπει να χρησιμοποιείτε προσωπικό εξοπλισμό προστασίας.



Διατηρείτε απόσταση ασφαλείας τουλάχιστον 15 μέτρων από ανθρώπους ή ζώα.

Η πινακίδα στοιχείων δείχνει τον αριθμό σειράς. Το **yyyy** είναι το έτος παραγωγής και το **ww** είναι η εβδομάδα παραγωγής.

yyyywwxxxx

Περιεχόμενα Άλλα σύμβολα/σήματα που υπάρχουν στο προϊόν αναφέρονται σε απαιτήσεις πιστοποίησης για άλλους εμπορικούς τομείς.

Εκπομπές Euro V



ΠΡΟΕΙΔΟΠΟΙΗΣΗ: Οποιαδήποτε μη εξουσιοδοτημένη παρέμβαση στον κινητήρα ακυρώνει την έγκριση τύπου ΕΕ αυτού του προϊόντος.

Ευθύνη προϊόντος

Όπως αναφέρεται στη νομοθεσία περί ευθύνης για τα προϊόντα, δεν φέρουμε καμία ευθύνη για ζημιές που οφείλονται στο προϊόν μας εάν:

- Το προϊόν έχει επισκευαστεί λανθασμένα.
- Το προϊόν έχει επισκευαστεί με εξαρτήματα που δεν προέρχονται από τον κατασκευαστή ή που δεν έχουν εγκριθεί από τον κατασκευαστή.
- Το προϊόν διαθέτει ένα αξεσουάρ που δεν προέρχεται από τον κατασκευαστή ή που δεν έχει εγκριθεί από τον κατασκευαστή.
- Το προϊόν δεν έχει επισκευαστεί σε εγκεκριμένο κέντρο σέρβις ή από εγκεκριμένη αρχή.

Ασφάλεια

Ορισμοί για την ασφάλεια

Οι παρακάτω ορισμοί παρέχουν το βαθμό σοβαρότητας για κάθε προειδοποιητική λέξη.



ΠΡΟΕΙΔΟΠΟΙΗΣΗ: Τραυματισμός ατόμων.



ΠΡΟΣΟΧΗ: Ζημιά του προϊόντος.

Περιεχόμενα Αυτές οι πληροφορίες διευκολύνουν τη χρήση του προϊόντος.

Γενικές οδηγίες ασφαλείας



ΠΡΟΕΙΔΟΠΟΙΗΣΗ: Προτού χρησιμοποιήσετε το προϊόν, διαβάστε τις παρακάτω προειδοποιητικές οδηγίες.

- Μην πραγματοποιείτε αλλαγές στο προϊόν χωρίς την γκρίση του κατασκευαστή και χρησιμοποιείτε πάντα γνήσια αξεσουάρ. Οι τροποποιήσεις ή/και τα μη εγκεκριμένα αξεσουάρ μπορεί να προκαλέσουν σοβαρό τραυματισμό ή θάνατο του χειριστή ή άλλων ατόμων.
- Δεν πρέπει να χρησιμοποιείτε το προϊόν αν έχει υποστεί ζημιά. Πραγματοποιείτε όλους τους ελέγχους ασφαλείας και τις εργασίες συντήρησης που αναφέρονται στο παρόν εγχειρίδιο χρήσης. Όλες οι άλλες εργασίες συντήρησης πρέπει να εκτελούνται από εγκεκριμένο προσωπικό σέρβις.
- Όλες οι εργασίες σέρβις και επισκευής πρέπει να γίνονται από εγκεκριμένο προσωπικό σέρβις. Εάν κάποιο εξάρτημα του προϊόντος είναι ελαττωματικό, απευθυνθείτε στον τοπικό αντιπρόσωπο σέρβις.

Οδηγίες ασφαλείας για τη λειτουργία



ΠΡΟΕΙΔΟΠΟΙΗΣΗ: Προτού χρησιμοποιήσετε το προϊόν, διαβάστε τις παρακάτω προειδοποιητικές οδηγίες.

- Αυτό το προϊόν μπορεί να είναι επικίνδυνο και να προκαλέσει σοβαρό τραυματισμό ή θάνατο του χειριστή ή άλλων ατόμων. Να είστε προσεκτικοί και να χρησιμοποιείτε το προϊόν σωστά.
- Επιθεωρήστε το προϊόν προτού το χρησιμοποιήσετε. Ανατρέξτε στην ενότητα *Συντήρηση στη σελίδα 92*.
- Να μην χρησιμοποιείτε ποτέ το προϊόν εάν είστε κουρασμένοι, άρρωστοι ή υπό την επήρεια αλκοόλ ή άλλων φαρμάκων που μπορεί να μειώσουν την όραση, την κρίση ή το συντονισμό σας.
- Τοποθετήστε όλα τα καλύμματα και τα προστατευτικά πριν από τη χρήση. Για να αποφεύγετε τον κίνδυνο ηλεκτροπληξίας, βεβαιωθείτε ότι το καπάκι του μπουζί και το καλώδιο ανάφλεξης ηλεκτρονικής δεν έχουν υποστεί ζημιά.
- Μην αγγίζετε το μπουζί ή το καλώδιο ανάφλεξης ηλεκτρονικής, όταν ο κινητήρας είναι σε λειτουργία.
- Διατηρείτε απόσταση ασφαλείας τουλάχιστον 15 μέτρων από ανθρώπους ή ζώα. Εάν άνθρωποι, παιδιά ή ζώα πλησιάσουν σε απόσταση μικρότερη από 15 μέτρα, σταματήστε το προϊόν. Στρέψτε το προϊόν μακριά από ανθρώπους, ζώα, ανοιχτά παράθυρα και άλλα αντικείμενα.
- Μην επιτρέπετε σε παιδιά να χρησιμοποιούν το προϊόν. Βεβαιωθείτε ότι όλοι οι χειριστές έχουν διαβάσει και κατανοήσει τα περιεχόμενα του παρόντος εγχειριδίου χρήσης.
- Κρατήστε τα χέρια σας ή άλλα αντικείμενα μακριά από το περιβάλημα του φυσητήρα στη διάρκεια της λειτουργίας. Τα κινούμενα μέρη μπορούν να προκαλέσουν σοβαρό τραυματισμό.
- Μην χρησιμοποιείτε το προϊόν εάν δεν έχει τοποθετηθεί η σίτα εισαγωγής αέρα. Να βεβαιώνετε πάντα ότι η σίτα εισαγωγής αέρα έχει τοποθετηθεί και δεν έχει υποστεί ζημιά πριν από τη χρήση.
- Σε περίπτωση έκτακτης ανάγκης, απασφαλίστε τη ζώνη μέσης και τη ζώνη θώρακα της εξάρτησης και αφήστε το προϊόν να πέσει.
- Τηρείτε τους εθνικούς κανονισμούς και τις οδηγίες.
- Μην πλησιάζετε τα μέλη του σώματός σας σε καυτές επιφάνειες.
- Η υπερβολική δόνηση μπορεί να προκαλέσει βλάβη στην κυκλοφορία ή στο νευρικό σύστημα. Μιλήστε στο γιατρό σας αν έχετε συμπτώματα, όπως μούδιασμα, απώλεια αίσθησης, τσιμπήματα, σουβλιές, πόνο, απώλεια δύναμης ή αλλαγές στο χρώμα του δέρματος στα δάκτυλα, τα χέρια ή τους καρπούς σας.
- Προσέχετε τυχόν αντικείμενα που εκτοξεύονται. Τα αντικείμενα που εκτοξεύονται μπορούν να προκαλέσουν σοβαρό τραυματισμό.
- Μην χρησιμοποιείτε το προϊόν όταν επικρατούν άσχημες καιρικές συνθήκες, όπως, για παράδειγμα, ομίχλη, βροχή, ισχυροί άνεμοι και πολύ ψυχρό περιβάλλον. Η εκτέλεση εργασιών σε κακές καιρικές συνθήκες μπορεί να προκαλέσει κούραση και επικίνδυνες συνθήκες.
- Βεβαιωθείτε ότι μπορείτε να μετακινηθείτε και να διατηρήσετε σταθερή θέση. Ελέγξτε την περιοχή εργασίας για πιθανά εμπόδια, για παράδειγμα, πέτρες. Να είστε προσεκτικοί όταν χειρίζεστε το προϊόν σε πρηνές.
- Μην τοποθετείτε το προϊόν στο έδαφος ενώ ο κινητήρας είναι σε λειτουργία.
- Μην χρησιμοποιείτε το προϊόν από υψηλές θέσεις, για παράδειγμα, πάνω σε σκάλα.

- Βεβαιωθείτε ότι μπορείτε πάντα να ακουστείτε σε περίπτωση ατυχήματος.
- Βεβαιωθείτε ότι η έξοδος των αναθυμιάσεων της εξάτμισης δεν είναι φραγμένη. Για να αποτρέψετε την πρόκληση ζημιάς στο προϊόν, διατηρείτε τα εμπόδια σε απόσταση τουλάχιστον 50 cm από την έξοδο των αναθυμιάσεων της εξάτμισης.
- Μην θέτετε το προϊόν σε λειτουργία σε εσωτερικό χώρο, σε χώρο με ανεπαρκή αερισμό ή κοντά σε εύφλεκτα υλικά. Οι αναθυμιάσεις από την εξάτμιση του κινητήρα περιέχουν μονοξείδιο του άνθρακα, το οποίο μπορεί να προκαλέσει δηλητηρίαση. Οι αναθυμιάσεις από την εξάτμιση του κινητήρα είναι καυτές και μπορεί να περιέχουν σπινθήρες που μπορούν να προκαλέσουν πυρκαγιά.

- Μην χρησιμοποιείτε ποτέ το προϊόν, αν υπάρχουν ελαττωματικές συσκευές ασφαλείας.
- Πρέπει να κάνετε τακτικά έλεγχο των συσκευών ασφαλείας. Ανατρέξτε στην ενότητα *Συντήρηση στη σελίδα 92*.
- Αν οι συσκευές ασφαλείας είναι ελαττωματικές, απευθυνθείτε στον αντιπρόσωπο σέρβις της Husqvarna.

Για τον έλεγχο της εξάτμισης (σιγαστήρα)



ΠΡΟΕΙΔΟΠΟΙΗΣΗ: Να μην χρησιμοποιείτε προϊόντα με ελαττωματική εξάτμιση (σιγαστήρα).



ΠΡΟΕΙΔΟΠΟΙΗΣΗ: Η εξάτμιση (σιγαστήρας) θερμαίνεται πολύ κατά τη διάρκεια και μετά τη λειτουργία, αλλά και κατά τη λειτουργία στο ρελαντί. Χρησιμοποιείτε προστατευτικά γάντια για να αποφύγετε τυχόν εγκαυματα.



ΠΡΟΕΙΔΟΠΟΙΗΣΗ: Η εσωτερική πλευρά της εξάτμισης (σιγαστήρας) περιέχει χημικά που μπορεί να είναι καρκινογόνα. Μην αγγίζετε την εξάτμιση (σιγαστήρας), εάν έχει υποστεί ζημιά.

- Κάνετε τακτικά οπτικό έλεγχο της εξάτμισης (σιγαστήρας) Η εξάτμιση (σιγαστήρας) διατρεί τα επίπεδα θορύβου στο ελάχιστο και κατευθύνει τις αναθυμιάσεις μακριά από τον χειριστή. Ανατρέξτε στην ενότητα *Συντήρηση της εξάτμισης (σιγαστήρας) στη σελίδα 93*.

Για τον έλεγχο του συστήματος απόσβεσης κραδασμών

1. Βεβαιωθείτε ότι δεν υπάρχουν ρωγμές ή παραμορφώσεις στις μονάδες απόσβεσης κραδασμών.
2. Βεβαιωθείτε ότι οι μονάδες απόσβεσης κραδασμών είναι σωστά στερεωμένες στη μονάδα του κινητήρα και στη μονάδα των λαβών.

Για πληροφορίες σχετικά με το σημείο στο οποίο βρίσκεται το σύστημα απόσβεσης κραδασμών στο δικό σας προϊόν, ανατρέξτε στην ενότητα *Επισκόπηση προϊόντος στη σελίδα 85*.

Έλεγχος του διακόπτη εκκίνησης/τερματισμού λειτουργίας

1. Χρησιμοποιήστε το διακόπτη εκκίνησης/τερματισμού λειτουργίας για να σβήσετε τον κινητήρα.
2. Βεβαιωθείτε ότι ο κινητήρας έχει σταματήσει εντελώς.

Για να δείτε πού βρίσκεται ο διακόπτης εκκίνησης/τερματισμού λειτουργίας στο προϊόν σας, ανατρέξτε στην ενότητα *Επισκόπηση προϊόντος στη σελίδα 85*.

Προσωπικός εξοπλισμός προστασίας



ΠΡΟΕΙΔΟΠΟΙΗΣΗ: Προτού χρησιμοποιήσετε το προϊόν, διαβάστε τις παρακάτω προειδοποιητικές οδηγίες.

- Όταν χρησιμοποιείτε το προϊόν, πρέπει να φοράτε εγκεκριμένο προσωπικό εξοπλισμό προστασίας. Ο προσωπικός εξοπλισμός προστασίας δεν μπορεί να εξαλείψει πλήρως τον κίνδυνο τραυματισμών, ωστόσο μπορεί να μειώσει τη σοβαρότητά τους. Απευθυνθείτε στον αντιπρόσωπο για περισσότερες πληροφορίες.
- Χρησιμοποιείτε εγκεκριμένα προστατευτικά ακοής. Η μακροχρόνια έκθεση στο θόρυβο μπορεί να προκαλέσει μόνιμη βλάβη στην ακοή.
- Χρησιμοποιείτε εγκεκριμένη προστασία των ματιών. Εάν χρησιμοποιείτε προστατευτικό γέισο, πρέπει επίσης να χρησιμοποιείτε πάντα εγκεκριμένα προστατευτικά γυαλιά. Τα εγκεκριμένα προστατευτικά γυαλιά πρέπει να συμμορφώνονται με το πρότυπο ANSI Z87.1 στις Η.Π.Α. ή το πρότυπο EN 166 στις χώρες της Ε.Ε.
- Χρησιμοποιείτε προστατευτικά γάντια κατά τη λειτουργία και τη συντήρηση.
- Χρησιμοποιείτε μπότες προστασίας ή παπούτσια με αντιολισθητικές σόλες.
- Χρησιμοποιείτε ρούχα από ανθεκτικό ύφασμα που καλύπτουν όλο το σώμα. Μην χρησιμοποιείτε κοσμήματα ή ανοιχτά παπούτσια. Για να μειώσετε τον κίνδυνο τραυματισμού, τα ρούχα σας πρέπει να είναι εφαρμοστά, αλλά όχι να περιορίζουν τις κινήσεις σας. Τοποθετήστε τα μαλλιά σας πάνω από τους ώμους για να μην εισχωρήσουν σε κινούμενα μέρη ή πιαστούν σε κλαδιά.
- Χρησιμοποιείτε μέσα προστασίας αναπνοής όταν υπάρχει κίνδυνος σκόνης.
- Διατηρήστε κοντά τον εξοπλισμό πρώτων βοηθειών.

Συσκευές ασφαλείας στο προϊόν



ΠΡΟΕΙΔΟΠΟΙΗΣΗ: Προτού χρησιμοποιήσετε το προϊόν, διαβάστε τις παρακάτω προειδοποιητικές οδηγίες.

Ασφάλεια καυσίμου



ΠΡΟΕΙΔΟΠΟΙΗΣΗ: Πρωτού χρησιμοποιήσετε το προϊόν, διαβάστε τις παρακάτω προειδοποιητικές οδηγίες.

- Μην αναμειγνύετε ή προσθέτετε καύσιμο σε εσωτερικούς χώρους ή κοντά σε πηγή θερμότητας.
- Μην βάλετε μπροστά το προϊόν εάν χυθεί καύσιμο ή λάδι στο προϊόν ή στο σώμα σας.
- Μην θέσετε το προϊόν σε λειτουργία, εάν ο κινητήρας έχει διαρροή καυσίμου. Εξετάζετε τακτικά τον κινητήρα για διαρροές καυσίμου.
- Να είστε πάντα προσεκτικοί με το καύσιμο. Το καύσιμο είναι εύφλεκτο και οι αναθυμιάσεις του καυσίμου είναι εκρηκτικές και μπορούν να προκαλέσουν σοβαρό τραυματισμό ή θάνατο.
- Μην εισπνέετε τις αναθυμιάσεις καυσίμου, καθώς μπορεί να προκληθεί τραυματισμός. Βεβαιωθείτε ότι υπάρχει επαρκής ροή αέρα.
- Μην καπνίζετε κοντά στο καύσιμο ή τον κινητήρα.
- Μην τοποθετείτε το προϊόν ή ένα δοχείο καυσίμου κοντά σε ζεστά αντικείμενα, ακάλυπτες φλόγες, σπινθήρες ή φλόγιστρα.

- Να χρησιμοποιείτε πάντα εγκεκριμένα δοχεία για την αποθήκευση και τη μεταφορά των καυσίμων.

Οδηγίες ασφαλείας για τη συντήρηση



ΠΡΟΕΙΔΟΠΟΙΗΣΗ: Πρωτού χρησιμοποιήσετε το προϊόν, διαβάστε τις παρακάτω προειδοποιητικές οδηγίες.

- Σβήστε τον κινητήρα, αφαιρέστε το μπουζί και αφήστε τον κινητήρα να κρυώσει πριν από τη συντήρηση και τη συναρμολόγηση.
- Εάν η σίτα συγκράτησης των σπινθήρων είναι φραγμένη, ο κινητήρας μπορεί να υπερθερμανθεί και να προκληθεί ζημιά στον κινητήρα.
- Αν η σίτα συγκράτησης των σπινθήρων φράζει συχνά, αυτό μπορεί να αποτελεί ένδειξη ότι η απόδοση του καταλυτικού μετατροπέα έχει μειωθεί. Απευθυνθείτε στον αντιπρόσωπο σέρβις για τον έλεγχο της εξάτμισης (σιγαστήρα).

Συναρμολόγηση

Εισαγωγή

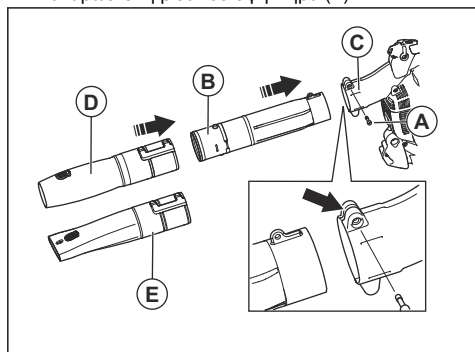


ΠΡΟΕΙΔΟΠΟΙΗΣΗ: Πρωτού συναρμολογήσετε το προϊόν, διαβάστε και κατανοήστε το κεφάλαιο για την ασφάλεια.

2. Τοποθετήστε τον ενδιάμεσο σωλήνα (B) στο σωλήνα φυσητήρα (C).
3. Τοποθετήστε και σφίξτε τη βίδα του σφιγκτήρα (A).
4. Τοποθετήστε το στρογγυλό ακροφύσιο (D) ή το επίπεδο ακροφύσιο (E) στον ενδιάμεσο σωλήνα.

Συναρμολόγηση του σωλήνα του φυσητήρα

1. Χαλαρώστε τη βίδα του σφιγκτήρα (A).



Λειτουργία

Εισαγωγή

χρησιμοποιείτε λάδι για τετράχρονους κινητήρες.



ΠΡΟΕΙΔΟΠΟΙΗΣΗ: Προτού χρησιμοποιήσετε το προϊόν, διαβάστε και κατανοήστε το κεφάλαιο για την ασφάλεια.

Καύσιμο

Αυτό το προϊόν διαθέτει δίχρονο κινητήρα.



ΠΡΟΣΟΧΗ: Τα καύσιμα εσφαλμένου τύπου μπορεί να προκαλέσουν ζημιά στον κινητήρα. Χρησιμοποιήστε μείγμα βενζίνης και λαδιού για δίχρονους κινητήρες.

Προαναμεμιγμένο καύσιμο

- Για βέλπστη απόδοση και παράταση της διάρκειας ζωής του κινητήρα, χρησιμοποιήστε προαναμεμιγμένο αλκυλιωμένο καύσιμο της Husqvarna. Αυτό το καύσιμο περιέχει λιγότερα επιβλαβή χημικά σε σύγκριση με τα κανονικά καύσιμα, με αποτέλεσμα να μειώνονται οι επιβλαβείς αναθυμιάσεις της εξάτμισης. Η ποσότητα των καταλοίπων της καύσης είναι χαμηλότερη με αυτό το καύσιμο, το οποίο προστατεύει τα εξαρτήματα του κινητήρα και τα διατηρεί πιο καθαρά.

Ανάμιξη του καυσίμου

Βενζίνη

- Χρησιμοποιήστε αμόλυβδη βενζίνη καλής ποιότητας με μέγιστο ποσοστό αιθανόλης 10%.



ΠΡΟΣΟΧΗ: Μην χρησιμοποιείτε βενζίνη με αριθμό οκτανίων κάτω από 90 RON/87 AKI. Η χρήση βενζίνης χαμηλότερου αριθμού οκτανίων μπορεί να προκαλέσει κτύπο ("πειράκια") και ζημιά στον κινητήρα.

Λάδι για δίχρονους κινητήρες

- Για καλύτερα αποτελέσματα και υψηλότερη απόδοση, χρησιμοποιήστε λάδι Husqvarna για δίχρονους κινητήρες.
- Εάν το λάδι για δίχρονους κινητήρες της Husqvarna δεν είναι διαθέσιμο, χρησιμοποιήστε διαφορετικό λάδι καλής ποιότητας για αερόψυκτους κινητήρες. Για την επιλογή του σωστού λαδιού, απευθυνθείτε στον αντιπρόσωπο σέρβις.



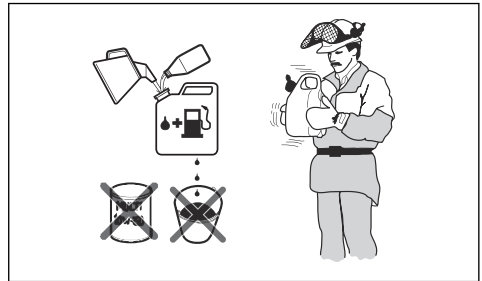
ΠΡΟΣΟΧΗ: Μην χρησιμοποιείτε λάδι για δίχρονους υδρόψυκτους εξωλέμβιους κινητήρες, το οποίο αναφέρεται επίσης ως λάδι για εξωλέμβιες. Μην

Για να αναμίξετε βενζίνη και λάδι για δίχρονους κινητήρες

Βενζίνη, λίτρα	Λάδι για δίχρονους κινητήρες, λίτρα
	2% (50:1)
5	0,10
10	0,20
15	0,30
20	0,40



ΠΡΟΣΟΧΗ: Μικρά λάθη μπορεί να επηρεάσουν δραστικά την αναλογία του μείγματος κατά τη ανάμιξη μικρών ποσοτήτων καυσίμου. Μετρήστε προσεκτικά την ποσότητα του λαδιού και βεβαιωθείτε ότι το μείγμα που προκύπτει είναι σωστό.



- Ρίξτε σε ένα καθαρό δοχείο για καύσιμα τη μισή ποσότητα της βενζίνης.
- Προσθέστε ολόκληρη την ποσότητα λαδιού.
- Ανακινήστε το μίγμα καυσίμου.
- Προσθέστε στο δοχείο την υπόλοιπη ποσότητα της βενζίνης.
- Ανακινήστε προσεκτικά το μείγμα καυσίμου.



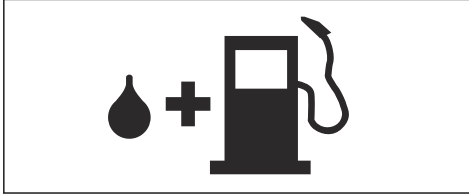
ΠΡΟΣΟΧΗ: Μην αναμιγνύετε καύσιμα για περισσότερο από 1 μήνα κάθε φορά.

Γέμισμα ντεπόζιτου καυσίμου



ΠΡΟΕΙΔΟΠΟΙΗΣΗ: Ακολουθήστε την παρακάτω διαδικασία για την ασφάλειά σας.

1. Σταματήστε τον κινητήρα και αφήστε τον να κρυώσει.
2. Καθαρίστε την περιοχή γύρω από την τάπα του ντεπόζιτου καυσίμου.



3. Ανακινήστε το δοχείο και βεβαιωθείτε ότι το καύσιμο έχει αναμιχθεί πλήρως.
4. Αφαιρέστε αργά την τάπα του ντεπόζιτου καυσίμου για να εκκωνώσετε την πίεση.
5. Γεμίστε το ντεπόζιτο καυσίμου.



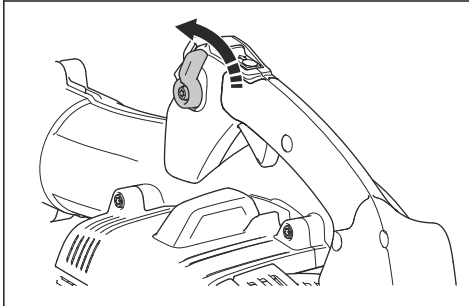
ΠΡΟΣΟΧΗ: Βεβαιωθείτε ότι δεν υπάρχει υπερβολικό καύσιμο στο ντεπόζιτο καυσίμου. Το καύσιμο διογκώνεται όταν ζεσταίνεται.

6. Σφίξτε προσεκτικά την τάπα του ντεπόζιτου καυσίμου.
7. Καθαρίζετε το καύσιμο που έχει χυθεί επάνω και γύρω από το προϊόν.
8. Πρωτό ξεκινήσετε, απομακρύνετε το προϊόν τουλάχιστον κατά 3 m/10 ft από το σημείο ανεφοδιασμού και την πηγή καυσίμου πρωτό θέσετε σε λειτουργία τον κινητήρα.

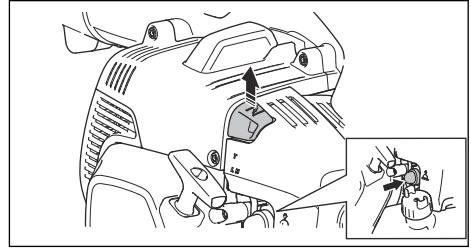
Περιεχόμενα Για να δείτε πού βρίσκεται το ντεπόζιτο καυσίμου στο προϊόν σας, ανατρέξτε στην ενότητα *Εισαγωγή στη σελίδα 85*.

Εκκίνηση λειτουργίας του προϊόντος

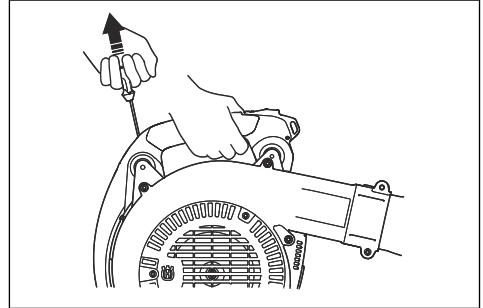
1. Μετακινήστε το χειριστήριο γκαζιού στη θέση ρελαντί.



2. Εάν ο κινητήρας είναι κρύος, σπρώξτε το χειριστήριο του τσοκ στη θέση του κλειστού τσοκ.



3. Πιέστε επανειλημμένα τη φούσκα της χειροκίνητης αντλίας καυσίμου (πουάρ), μέχρι να αρχίσει η φούσκα να γεμίζει με καύσιμο. Δεν χρειάζεται να γεμίσετε πλήρως τη φούσκα της χειροκίνητης αντλίας καυσίμου (πουάρ).
4. Τοποθετήστε το προϊόν σε επίπεδη επιφάνεια στο έδαφος.
5. Κρατήστε το προϊόν με το δεξί σας χέρι.



ΠΡΟΣΟΧΗ: Μην χρησιμοποιείτε τα πόδια σας για να κρατήσετε το προϊόν.

6. Τραβήξτε αργά τη λαβή του σχοινιού εκκίνησης μέχρι να αισθανθείτε αντίσταση.
7. Τραβήξτε γρήγορα τη λαβή του σχοινιού εκκίνησης με το αριστερό σας χέρι. Τραβήξτε επανειλημμένα τη λαβή του σχοινιού εκκίνησης, μέχρι να εκκινηθεί ο κινητήρας.

Περιεχόμενα Μην τραβήξετε τη λαβή του σχοινιού εκκίνησης μέχρι τέρμα και μην αφήσετε τη λαβή του κορδονιού του συστήματος εκκίνησης.

8. Εάν ο κινητήρας είναι κρύος, ρυθμίστε το χειριστήριο του τσοκ στη θέση του ανοιχτού τσοκ.
9. Εάν ο κινητήρας είναι κρύος, αφήστε τον να λειτουργήσει για 2-3 λεπτά για να ζεσταθεί πριν από τη λειτουργία.



ΠΡΟΕΙΔΟΠΟΙΗΣΗ: Κατά την εκκίνηση του κινητήρα και όταν το προϊόν έχει ρυθμιστεί στο ρελαντί απελευθερώνεται αέρας. Μην επιτρέπετε σε άλλα άτομα να

πλησιάζουν το προϊόν ή το σωλήνα του φυσητήρα.

- Μετά τη λειτουργία, φυλάξτε το προϊόν σε κατακόρυφη θέση.

Λειτουργία του προϊόντος

- Χρησιμοποιείτε το προϊόν σε συνήθεις ώρες εργασίας. Να τηρείτε τους τοπικούς κανονισμούς.
- Μειώστε τα τεμάχια του εξοπλισμού και επιλέξτε τη σωστή ταχύτητα για την εργασία σας. Χρησιμοποιήστε το γκάσι στη χαμηλότερη δυνατή θέση για να αποφύγετε την πρόκληση περισσότερου θορύβου και σκόνης από ό,τι χρειάζεται.
- Διατηρείτε το ακροφύσιο του φυσητήρα κοντά στο έδαφος.

Περιεχόμενα Η Husqvarna συνιστά να χρησιμοποιείτε την πλήρη πρόεκταση του ακροφυσίου του φυσητήρα.

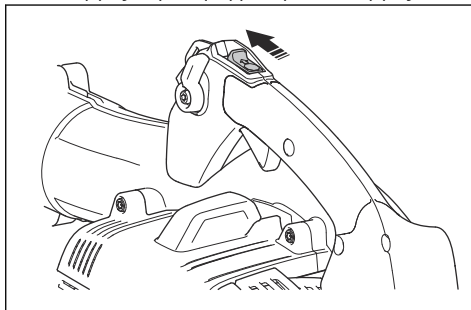
- Σημειώστε την κατεύθυνση του ανέμου και χειριστείτε το προϊόν προς την κατεύθυνση του ανέμου.
- Χρησιμοποιείτε τα κατάλληλα εργαλεία κήπου για την απελευθέρωση υλικού από το έδαφος.
- Σε περιοχές με σκόνη, χρησιμοποιήστε εξοπλισμό υψοκαυσμού για να βρέξετε την περιοχή. Αυτό μειώνει το χρόνο λειτουργίας.

Σβήσιμο του κινητήρα



ΠΡΟΣΟΧΗ: Μην σταματάτε το προϊόν σε πλήρη ταχύτητα.

- Τοποθετήστε το διακόπτη εκκίνησης/διακοπής λειτουργίας στη θέση τερματισμού λειτουργίας.



Συντήρηση

Εισαγωγή

και κατανοήστε το κεφάλαιο για την ασφάλεια.



ΠΡΟΕΙΔΟΠΟΙΗΣΗ: Προτού εκτελέσετε εργασίες συντήρησης στο προϊόν, διαβάστε

Πρόγραμμα συντήρησης

Συντήρηση	Καθημερι νά	Κάθε εβδομάδα	Κάθε μήνα
Καθαρίστε τις εξωτερικές επιφάνειες.	X		
Βεβαιωθείτε ότι το χειριστήριο γκαζιού λειτουργεί σωστά.	X		
Βεβαιωθείτε ότι ο διακόπτης εκκίνησης/τερματισμού λειτουργίας λειτουργεί σωστά. Ανατρέξτε στην ενότητα <i>Έλεγχος του διακόπτη εκκίνησης/τερματισμού λειτουργίας στη σελίδα 88.</i>	X		
Εξετάστε τον κινητήρα, το ντεπόζιτο καυσίμου και τις γραμμές καυσίμου για διαρροές. Ελέγξτε το φίλτρο καυσίμου για ρύπους. Αντικαταστήστε το φίλτρο καυσίμου, αν χρειάζεται.	X		
Καθαρίστε το φίλτρο αέρα. Αντικαταστήστε το φίλτρο αέρα εάν χρειάζεται.	X		
Σφίξτε τα παξιμάδια και τις βίδες.	X		
Ελέγξτε την εισαγωγή αέρα και βεβαιωθείτε ότι δεν είναι φραγμένη.	X		
Εξετάστε τη μίζα και το κορδόνι της μίζας για ζημιές.		X	

Συντήρηση	Καθημερι νά	Κάθε εβδομάδα	Κάθε μήνα
Ελέγξτε τις μονάδες απόσβεσης κραδασμών για ζημιές, ρωγμές και παραμόρφωση. Βεβαιωθείτε ότι οι μονάδες απόσβεσης κραδασμών έχουν εγκατασταθεί σωστά.		X	
Ελέγξτε το μπουζί. Ανατρέξτε στην ενότητα <i>Για να εκτελέσετε έλεγχο του μπουζί στη σελίδα 93.</i>		X	
Καθαρίστε το σύστημα ψύξης.		X	
Καθαρίστε την εξωτερική επιφάνεια του καρμπυρατέρ και το χώρο γύρω από αυτό.		X	
Καθαρίστε το ντεπόζιτο καυσίμου.			X
Εξετάστε όλα τα καλώδια και τις συνδέσεις.			X
Ελέγξτε και καθαρίστε τη σίτα συγκράτησης των σπινθήρων στην εξάτμιση (σιγαστήρας) (για προϊόντα χωρίς καταλυτικό μετατροπέα).		X	
Ελέγξτε και καθαρίστε τη σίτα συγκράτησης των σπινθήρων στην εξάτμιση (σιγαστήρας) (για προϊόντα με καταλυτικό μετατροπέα).			X
Αντικαταστήστε το μπουζί. Βεβαιωθείτε ότι έχει τοποθετηθεί με αντιπαρασιτικό.			X

Για να ρυθμίσετε τις στροφές ανά λεπτό ρελαντί

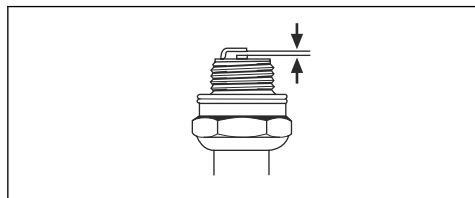
- Βεβαιωθείτε ότι το φίλτρο αέρα είναι καθαρό και ότι το κάλυμμα του φίλτρου αέρα είναι συνδεδεμένο.
- Ρυθμίστε τις στροφές ανά λεπτό του ρελαντί με τη βίδα ρύθμισης στροφών ρελαντί. Για να δείτε που βρίσκεται η βίδα στροφών ανά λεπτό ρελαντί, ανατρέξτε στην ενότητα *Επισκόπηση προϊόντος στη σελίδα 85.*

Για να εκτελέσετε έλεγχο του μπουζί



ΠΡΟΣΟΧΗ: Χρησιμοποιήστε το συνιστώμενο μπουζί. Ανατρέξτε στην ενότητα *Για να εκτελέσετε έλεγχο του μπουζί στη σελίδα 93.* Ένα ακατάλληλο μπουζί μπορεί να προκαλέσει ζημιά στο προϊόν.

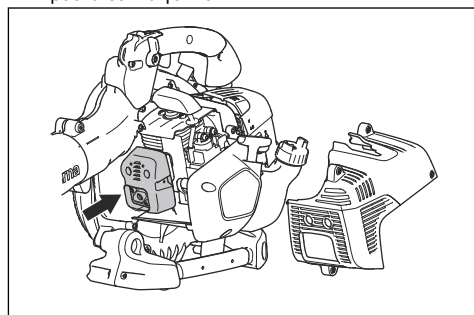
- Σταματήστε τον κινητήρα και αφήστε το προϊόν να κρυώσει.
- Καθαρίστε το μπουζί, εάν είναι βρόμικο.
- Βεβαιωθείτε ότι το διάκενο ηλεκτροδίου είναι σωστό. Ανατρέξτε στην ενότητα *Τεχνικά στοιχεία στη σελίδα 97.*



- Αντικαταστήστε το μπουζί κάθε μήνα ή συχνότερα, εάν χρειάζεται.

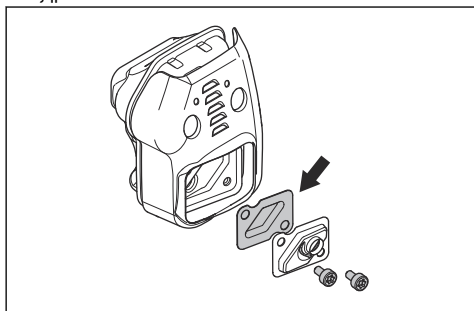
Συντήρηση της εξάτμισης (σιγαστήρας)

- Σταματήστε τον κινητήρα και αφήστε την εξάτμιση (σιγαστήρα) να κρυώσει. Πρέπει να χρησιμοποιείτε προστατευτικά γάντια.



- Αφαιρέστε το κάλυμμα της εξάτμισης (του σιγαστήρα).

3. Διενεργήστε έναν οπτικό έλεγχο. Αντικαταστήστε τη σίτα συγκράτησης των σπινθήρων, εάν έχει υποστεί ζημιά.



Έλεγχος και καθαρισμός του συστήματος ψύξης

Το σύστημα ψύξης αποτελείται από τα πτερύγια φτερωτής (ανεμιστήρα) ψύξης στον κύλινδρο και τη σίτα εισαγωγής αέρα.

1. Σβήστε τον κινητήρα.
2. Βεβαιωθείτε ότι το σύστημα ψύξης δεν είναι βρώμικο ή φραγμένο. Εάν είναι απαραίτητο, καθαρίστε τη σίτα εισαγωγής αέρα και τα πτερύγια φτερωτής (ανεμιστήρα) ψύξης.



ΠΡΟΣΟΧΗ: Εάν το σύστημα ψύξης είναι βρώμικο ή φραγμένο, η θερμοκρασία του κινητήρα μπορεί να αυξηθεί και το προϊόν να υποστεί ζημιά. Εάν η σίτα εισαγωγής αέρα είναι φραγμένη, μειώνεται η δύναμη φουσίματος.

3. Ελέγξτε το σύστημα ψύξης για ζημιές. Βεβαιωθείτε ότι τα μέρη έχουν στερεωθεί σωστά στο προϊόν.

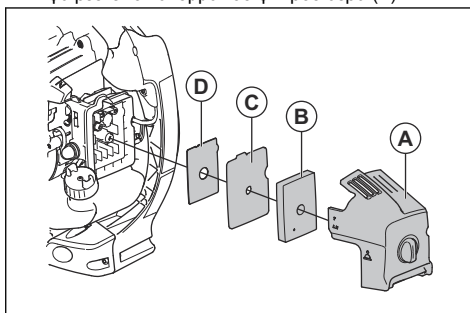
Καθαρισμός του φίλτρου αέρα



ΠΡΟΣΟΧΗ: Μην χρησιμοποιήσετε το προϊόν εάν δεν έχει τοποθετηθεί φίλτρο αέρα ή εάν

το φίλτρο αέρα έχει υποστεί ζημιά. Η σκόνη στον αέρα μπορεί να προκαλέσει ζημιά στον κινητήρα.

1. Σπρώξτε το χειριστήριο τσοκ στη θέση του κλειστού τσοκ.
2. Αφαιρέστε το κάλυμμα του φίλτρου αέρα (A).



3. Αφαιρέστε το φίλτρο αέρα (B) από το πλαίσιο φίλτρου.
4. Καθαρίστε το φίλτρο αέρα (B) με ζεστό σαπουνόνερο.

Περιεχόμενα Εάν ένα φίλτρο αέρα χρησιμοποιείται για μεγάλο χρονικό διάστημα, δεν μπορεί να καθαριστεί εντελώς. Αντικαθιστάτε το φίλτρο αέρα τακτικά. Πρέπει πάντα να αντικαθιστάτε ένα ελαττωματικό φίλτρο αέρα.

5. Καθαρίστε την εσωτερική επιφάνεια του καλύμματος φίλτρου αέρα (A) με βούρτσα.
6. Αφαιρέστε και αντικαταστήστε το φίλτρο τύπου κετσέ (C), εάν είναι βρώμικο.
7. Τοποθετήστε τη σίτα (D), το φίλτρο τύπου κετσέ (C) και το φίλτρο αέρα (B).
8. Τοποθετήστε το κάλυμμα φίλτρου αέρα (A) στο προϊόν.

Αντιμετώπιση προβλημάτων

Δεν είναι δυνατή η εκκίνηση του κινητήρα		
Έλεγχος	Πιθανή αιτία	Λύση
Κουμπί σταματήματος.	Θέση τερματισμού	Θέστε τον διακόπτη τερματισμού λειτουργίας στη θέση εκκίνησης.

Δεν είναι δυνατή η εκκίνηση του κινητήρα		
Έλεγχος	Πιθανή αιτία	Λύση
Άγκιστρο/α εμπλοκής του συστήματος εκκίνησης με το βολάν.	Μπλοκαρισμέν α ή φθαρμένα άγκιστρα εμπλοκής του συστήματος εκκίνησης με το βολάν.	Ρυθμίστε ή αντικαταστήστε το/τα άγκιστρο/α εμπλοκής του συστήματος εκκίνησης με το βολάν.
		Καθαρίστε την περιοχή γύρω το/τα άγκιστρο/α εμπλοκής του συστήματος εκκίνησης με το βολάν.
		Απευθυνθείτε σε έναν εγκεκριμένο αντιπρόσωπο σέρβις.
Ντεπόζιτο καυσίμου.	Λανθασμένος τύπος καυσίμου.	Αδειάστε το ντεπόζιτο καυσίμου και χρησιμοποιήστε το σωστό καύσιμο.
Καρμπυρατέρ.	Ρύθμιση στροφών ανά λεπτό ρελαντί.	Ρυθμίστε τις στροφές ανά λεπτό του ρελαντί με τη βίδα ρύθμισης των στροφών του ρελαντί.
Σπινθήρας (χωρίς σπινθήρα).	Ρύποι ή υγρά στο μπουζί.	Βεβαιωθείτε ότι το μπουζί είναι στεγνό και καθαρό.
		Καθαρίστε το μπουζί. Βεβαιωθείτε ότι το διάκενο ηλεκτροδίου είναι σωστό. Βεβαιωθείτε ότι το μπουζί έχει τοποθετηθεί με αντιπαρασιτικό.
		Ανατρέξτε στα τεχνικά στοιχεία για το σωστό διάκενο ηλεκτροδίου.
Μπουζί.	Το μπουζί έχει χαλαρώσει.	Σφίξτε το μπουζί.
		Βεβαιωθείτε ότι το μίγμα καυσίμου είναι σωστό.
		Βεβαιωθείτε ότι το φίλτρο αέρα είναι καθαρό.

Ο κινητήρας ξεκινάει αλλά σταματάει ξανά		
Έλεγχος	Πιθανή αιτία	Λύση
Ντεπόζιτο καυσίμου.	Λανθασμένος τύπος καυσίμου.	Αποστραγγίστε το και χρησιμοποιήστε το σωστό καύσιμο.
Καρμπυρατέρ.	Ο κινητήρας δεν λειτουργεί σωστά στο ρελαντί.	Απευθυνθείτε στον τοπικό αντιπρόσωπο σέρβις.
Φίλτρο αέρα.	Φραγμένο φίλτρο αέρα.	Καθαρίστε το φίλτρο αέρα.

Μεταφορά και αποθήκευση



ΠΡΟΕΙΔΟΠΟΙΗΣΗ: Για να αποτρέψετε τον κίνδυνο πυρκαγιάς, βεβαιωθείτε ότι δεν υπάρχουν διαρροές ή αναθυμιάσεις κατά τη μεταφορά ή την αποθήκευση. Βεβαιωθείτε ότι δεν υπάρχει κίνδυνος πρόκλησης σπινθήρων ή πυρκαγιάς.

- Αδειάζετε το ντεπόζιτο καυσίμου πριν από μεταφορά ή αποθήκευση για μεγάλο χρονικό διάστημα. Πιέστε τη φούσκα της χειροκίνητης αντλίας καυσίμου (πουάρ) για να βεβαιωθείτε ότι έχει αφαιρεθεί όλο το καύσιμο. Το καύσιμο πρέπει να απορρίπτεται σε κατάλληλη τοποθεσία απόρριψης.
- Βεβαιωθείτε ότι το προϊόν είναι καθαρό και ότι έχει συντηρηθεί πλήρως προτού το αποθηκεύσετε για μεγάλο χρονικό διάστημα.
- Αφαιρέστε το μπουζί και ρίξτε περίπου 15 ml λάδι για δίχρονους κινητήρες στον κύλινδρο. Γυρίστε το προϊόν 3 φορές και τοποθετήστε ξανά το μπουζί.
- Κατά τη μεταφορά, στερεώνετε καλά το προϊόν στο όχημα.
- Τοποθετήστε το προϊόν σε ξηρό, δροσερό και καθαρό χώρο με καλό αερισμό. Διατηρήστε το προϊόν μακριά από παιδιά.

Τεχνικά στοιχεία

Τεχνικά στοιχεία

	Husqvarna 525BX
Κινητήρας	
Κυβισμός κυλίνδρου, cm ³	25,4
Στροφές ανά λεπτό στο ρελαντί, σ.α.λ.	3000
Καταλυτικός μετατροπέας	Ναι
Σύστημα ανάφλεξης	
Μπουζί	NGK BPMR8Y
Διάκενο ηλεκτροδίου, mm	0,6-0,7
Σύστημα καυσίμου και λίπανσης	
Χωρητικότητα ντεπόζιτου καυσίμου, l / cm ³	0,45 / 450
Βάρος	
Βάρος χωρίς καύσιμο, kg	4,4
Εκπομπές θορύβου¹⁹	
Στάθμη ηχητικής ισχύος, μετρούμενη τιμή σε dB (A)	104
Στάθμη ηχητικής ισχύος, εγγυημένη, L _{WA} σε dB (A)	106
Επίπεδα θορύβου²⁰	
Ισοδύναμη στάθμη ηχητικής πίεσης στα αφτιά του χειριστή, μετρημένη κατά EN15503 dB(A):	
Με στρογγυλό ακροφύσιο	91
Με επίπεδο ακροφύσιο	92
Στάθμες κραδασμών²¹	
Ισοδύναμες στάθμες κραδασμών (a _{hν,eq}) στις λαβές, μετρημένες κατά EN 15503, m/s ²	
Με στρογγυλό ακροφύσιο	1,2
Με επίπεδο ακροφύσιο	2,0
Απόδοση ανεμιστήρα	
Μέγιστη ταχύτητα αέρα με στρογγυλό ακροφύσιο, m/s	70

¹⁹ Οι εκπομπές θορύβου στο περιβάλλον, οι οποίες μετρούνται ως ηχητική ισχύος (L_{WA}), σε συμμόρφωση με την Οδηγία 2000/14/EK. Η καταγεγραμμένη στάθμη ηχητικής ισχύος για το μηχάνημα έχει μετρηθεί με το γνήσιο ακροφύσιο φυσητήρα, που δίνει την υψηλότερη στάθμη. Η διαφορά μεταξύ της εγγυημένης και της μετρούμενης ηχητικής ισχύος είναι ότι η εγγυημένη ηχητική ισχύς περιλαμβάνει επίσης τη διασπορά στο αποτέλεσμα της μέτρησης και τις αποκλίσεις μεταξύ των διαφορετικών μηχανημάτων του ίδιου μοντέλου σύμφωνα με την Οδηγία 2000/14/EK.

²⁰ Τα καταγεγραμμένα στοιχεία για τη στάθμη πίεσης θορύβου έχουν τυπική στατιστική διασπορά (τυπική απόκλιση) 1,0 dB(A).

²¹ Τα καταγεγραμμένα στοιχεία για τη στάθμη κραδασμών έχουν τυπική στατιστική διασπορά (τυπική απόκλιση) της τάξης του 1,0 m/s².

	Husqvarna 525BX
Μέγιστη ταχύτητα αέρα με επίπεδο ακροφύσιο, m/s	86
Παροχή αέρα με στρογγυλό ακροφύσιο, m ³ /min	13
Παροχή αέρα με πλακέ ακροφύσιο, m ³ /min	10

Δήλωση Συμμόρφωσης ΕΚ

Δήλωση Συμμόρφωσης ΕΚ

Husqvarna AB, SE-561 82 Huskvarna, Σουηδία, τηλ.: +46-36-146500, δηλώνει ότι ο φυσητήρας **Husqvarna 525BX** με αριθμό σειράς από 2016 και έπειτα (το έτος αναγράφεται ευκρινώς στην πινακίδα στοιχείων μαζί με τον αριθμό σειράς), συμμορφώνεται με τις απαιτήσεις της ΟΔΗΓΙΑΣ ΤΟΥ ΣΥΜΒΟΥΛΙΟΥ:

- της 17ης Μαΐου 2006 "περί μηχανημάτων" **2006/42/EK**.
- της 26ης Φεβρουαρίου 2014 "περί ηλεκτρομαγνητικής συμβατότητας" **2014/30/EE**.
- της 8ης Μαΐου 2000 "περί εκπομπών θορύβου στο περιβάλλον" **2000/14/EK**. Αξιολόγηση της συμμόρφωσης σύμφωνα με το παράρτημα V. Για πληροφορίες σχετικά με τις εκπομπές θορύβου, ανατρέξτε στο κεφάλαιο *Τεχνικά στοιχεία στη σελίδα 97*.
- της 8ης Ιουνίου 2011 "σχετικά με τον περιορισμό της χρήσης ορισμένων επικίνδυνων ουσιών σε είδη ηλεκτρικού και ηλεκτρονικού εξοπλισμού" **2011/65/EE**.

Εφαρμόστηκαν τα ακόλουθα πρότυπα:

EN ISO 12100-2/A1:2009, CISPR 12:2009, EN 15503:2009/A2:2015, EN 50581:2012

Η RISE SMP Svensk Maskinprovning AB, έχει διεξαγάγει εθελοντικά εξέταση τύπου εκ μέρους της Husqvarna AB. Το πιστοποιητικό έχει αριθμό: **SEC/14/2423** - 525BX

Huskvarna, 2020-01-01



Per Gustafsson, Διευθυντής Ανάπτυξης
(Εξουσιοδοτημένος αντιπρόσωπος της Husqvarna AB
και υπεύθυνος για την τεχνική τεκμηρίωση)

Contenido

Introducción.....	100	Resolución de problemas.....	109
Seguridad.....	101	Transporte y almacenamiento.....	110
Montaje.....	104	Datos técnicos.....	111
Funcionamiento.....	104	Declaración de conformidad CE.....	113
Mantenimiento.....	106		

Introducción

Descripción del producto

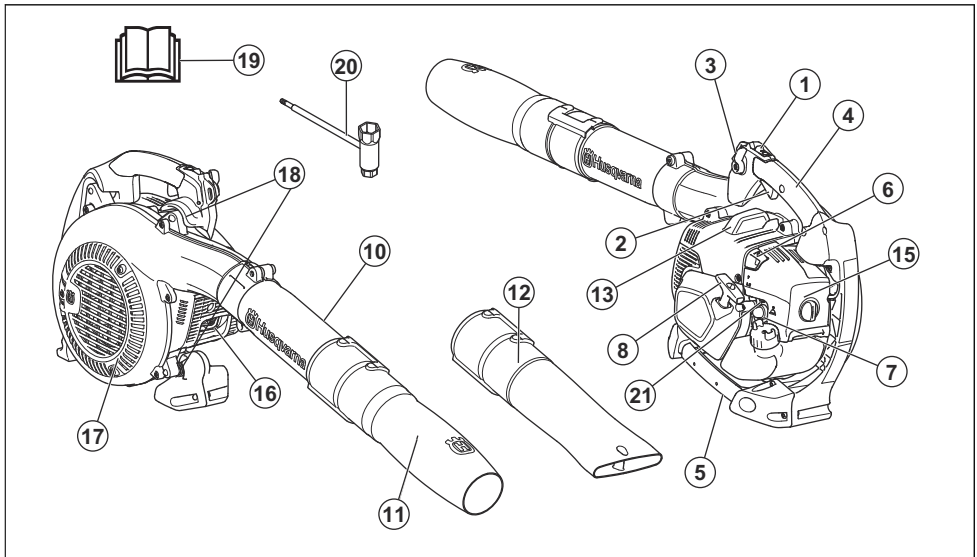
Este producto es un soplador con motor de combustión.

Trabajamos constantemente para perfeccionar nuestros productos y nos reservamos, por lo tanto, el derecho a introducir modificaciones en la construcción y el diseño sin previo aviso.

Uso previsto

Utilice el producto para soplar hojas y otros materiales no deseados en zonas como césped, caminos y carreteras de asfalto.

Descripción del producto



- | | |
|--|---|
| 1. Interruptor de arranque/parada | 11. Boquilla redonda |
| 2. Gatillo del acelerador | 12. Boquilla plana |
| 3. Acelerador | 13. Bujía |
| 4. Mango de control | 14. Tapón del depósito de combustible |
| 5. Mango | 15. Filtro de aire |
| 6. Control del estrangulador | 16. Silenciador |
| 7. Bomba de combustible | 17. Rejilla de la toma de aire |
| 8. Empuñadura de la cuerda de arranque | 18. Sistema amortiguador de vibraciones |
| 9. Tornillo de abrazadera | 19. Manual de usuario |
| 10. Tubo intermedio | 20. Llave combinada |

Símbolos que aparecen en el producto



ADVERTENCIA: Este producto puede ser peligroso y ocasionar daños graves o mortales tanto al operador como a cualquier otra persona. Tenga cuidado y utilice el producto correctamente.



Lea detenidamente el manual de usuario y asegúrese de que entiende las instrucciones antes de usar la máquina.



Utilice protectores auriculares homologados y protección ocular homologada. Si hay polvo en el ambiente, utilice una máscara protectora.



Utilice guantes protectores homologados.



Este producto cumple con las directivas CE vigentes.



Mezcla de gasolina y aceite para motores de dos tiempos.



Perilla de la bomba de combustible.



Estrangulador en posición abierta.



Estrangulador en posición cerrada.



Emisiones sonoras al medio ambiente conformes con la directiva europea 2000/14/CE y con la regulación de 2017 sobre de protección del medio ambiente (control de ruidos) (Protection of the Environment Operations - Noise Control) de

la legislación de Nueva Gales del Sur. Los datos sobre las emisiones sonoras se pueden encontrar en la etiqueta de la máquina y en el capítulo Datos técnicos.



Tenga cuidado con los objetos que salen despedidos. Los objetos que salen despedidos pueden provocar lesiones graves. Utilice el equipo de protección personal.



Mantenga una distancia de seguridad mínima de 15 m con respecto a personas o animales.

aaaassxxxx

La placa de características muestra el número de serie. **aaaa** es el año de fabricación y **ss** es la semana de fabricación.

Nota: Los demás símbolos/etiquetas que aparecen en el producto corresponden a requisitos de homologación específicos en otras zonas comerciales.

Emisiones Euro V



ADVERTENCIA: La manipulación del motor anula la homologación de la UE de este producto.

Responsabilidad sobre el producto

Como se estipula en las leyes de responsabilidad del producto, no nos hacemos responsables de los daños y perjuicios causados por nuestro producto si:

- El producto se ha reparado incorrectamente.
- El producto se ha reparado con piezas que no eran del fabricante o no autorizadas por el fabricante.
- El producto tiene un accesorio que no es del fabricante o no está autorizado por este.
- El producto no se ha reparado en un centro de servicio autorizado o por un organismo homologado.

Seguridad

Definiciones de seguridad

Las definiciones siguientes indican el nivel de gravedad para cada palabra de señalización de riesgo.



ADVERTENCIA: Lesiones a personas.



PRECAUCIÓN: Daños en el producto.

Nota: Esta información hace que el producto sea más fácil de usar.

Instrucciones generales de seguridad



ADVERTENCIA: Lea las siguientes instrucciones de advertencia antes de utilizar el producto.

- No realice cambios en el producto sin la aprobación del fabricante y utilice siempre accesorios originales. Las modificaciones y accesorios no aprobados pueden provocar lesiones graves o la muerte del operario u otras personas.
- No utilice un producto dañado. Lleve a cabo las comprobaciones de seguridad y siga las instrucciones de mantenimiento descritas en este manual de usuario. Todos los demás trabajos de mantenimiento deben encomendarse a personal de servicio autorizado.
- Todos los trabajos de servicio y reparación deben encomendarse a personal de servicio autorizado. Si una pieza del producto está defectuosa, póngase en contacto con su taller de servicio.

Instrucciones de seguridad para el funcionamiento



ADVERTENCIA: Lea las siguientes instrucciones de advertencia antes de utilizar el producto.

- Este producto puede ser peligroso y ocasionar daños graves o mortales tanto al operador como a cualquier otra persona. Tenga cuidado y utilice el producto correctamente.
- Inspeccione el producto antes de utilizarlo. Consulte la sección *Mantenimiento en la página 106*.
- Nunca utilice el producto si está cansado, enfermo o se encuentra bajo los efectos del alcohol o medicamentos que puedan afectar la vista, la capacidad de decisión o la coordinación.
- Instale todas las cubiertas y protecciones antes de su uso. Para evitar descargas eléctricas, asegúrese de que el sombrerete de bujía y el cable de encendido no presenten daños.
- No toque la bujía ni el cable de encendido con el motor en marcha.
- Mantenga una distancia de seguridad mínima de 15 m con respecto a personas o animales. Si una persona, un niño o un animal se acercan a menos de 15 m, detenga el producto. No apunte con el producto hacia personas, animales, ventanas abiertas y otros objetos.

- No deje que los niños manejen el producto. Asegúrese de que todos los operarios lean y comprendan el contenido de este manual de usuario.
- Mantenga las manos u otros objetos alejados de la carcasa del soplador durante el funcionamiento. Las piezas giratorias pueden causar lesiones graves.
- No utilice el producto si la rejilla de la toma de aire no está instalada. Asegúrese siempre de que la rejilla de la toma de aire esté instalada y no presente daños antes de usar el producto.
- En caso de emergencia, desabroche el cinturón y la cinta del pecho del arnés, y deje caer el producto.
- Cumpla las normativas y directivas nacionales.
- Mantenga todas las partes del cuerpo alejadas de las superficies calientes.
- Una vibración excesiva puede provocar daños en la circulación o en el sistema nervioso. Hable con su médico si presenta síntomas como, por ejemplo, entumecimiento, pérdida de sensibilidad, hormigueo, pinchazos, dolor, pérdida de fuerza o cambios en el color de la piel de los dedos, manos o muñecas.
- Tenga cuidado con los objetos que salen despedidos. Los objetos que salen despedidos pueden provocar lesiones graves.
- No use el producto en condiciones meteorológicas adversas como, por ejemplo, niebla, lluvia, vientos fuertes o frío intenso. Si trabaja con condiciones meteorológicas adversas, puede cansarse más y verse expuesto a situaciones de peligro.
- Asegúrese de que puede moverse y mantener una postura estable. Inspeccione el lugar de trabajo en busca de cualquier obstáculo como, por ejemplo, piedras. Tenga cuidado cuando utilice el producto en una pendiente.
- No deje el producto en el suelo con el motor en marcha.
- No utilice el producto en altura, por ejemplo, subido a una escalera.
- Asegúrese de que alguien le pueda oír en caso de accidente.
- Asegúrese de que la salida de los gases de escape no esté obstruida. Para evitar daños en el producto, no permita que haya nada a menos de 50 cm de la salida de los gases de escape.
- Nunca arranque el producto en interiores, en lugares mal ventilados ni cerca de material inflamable. Los gases de escape del motor contienen monóxido de carbono, que puede provocar intoxicación. Los gases de escape del motor están calientes y pueden contener chispas, las cuales pueden llegar a provocar un incendio.

Equipo de protección personal



ADVERTENCIA: Lea las siguientes instrucciones de advertencia antes de utilizar el producto.

- Para trabajar con el producto debe utilizar un equipo de protección personal homologado. El equipo de protección personal no elimina completamente el riesgo de lesiones, pero reduce la gravedad de las lesiones. Póngase en contacto con su distribuidor para obtener más información.
- Utilice protección auditiva homologada. La exposición prolongada al ruido puede causar daños crónicos en el oído.
- Utilice protección ocular homologada. Si se utiliza visor, deben utilizarse también gafas protectoras homologadas. Por gafas protectoras homologadas se entienden las que cumplen con la norma ANSI Z87.1 para EE. UU. o EN 166 para países de la UE.
- Utilice guantes protectores al usar el producto y al realizar trabajos de mantenimiento en él.
- Utilice botas o zapatos de protección con suela antideslizante.
- Utilice ropa de tejido resistente y larga. No utilice joyas ni calzado abierto. Para reducir el riesgo de lesiones, la ropa debe quedar ceñida pero sin llegar a limitar el movimiento. Evite que el pelo le caiga por debajo de los hombros para que no entre en contacto con las piezas giratorias ni se enganche en las ramas.
- Utilice una máscara de protección respiratoria en caso de existir riesgo de polvo.
- Mantenga cerca el equipo de primeros auxilios.

- Realice una inspección visual periódica del silenciador. El silenciador mantiene al mínimo los niveles de ruido y aleja los gases de escape del usuario. Consulte la sección *Mantenimiento del silenciador en la página 108*.

Comprobación del sistema amortiguador de vibraciones

1. Asegúrese de que no los amortiguadores de vibraciones no presenten fisuras ni deformación.
2. Compruebe que los amortiguadores de vibraciones estén bien montados entre la parte del motor y la parte de los mangos.

Consulte *Descripción del producto en la página 100* para obtener más información sobre la ubicación del sistema amortiguador de vibraciones en el producto.

Comprobación del interruptor de arranque/parada

1. Utilice el interruptor de arranque/parada para parar el motor.
2. Asegúrese de que el motor se detiene por completo.

Para conocer la ubicación del interruptor de arranque/parada en el producto, consulte *Descripción del producto en la página 100*.

Seguridad en el uso del combustible



ADVERTENCIA: Lea las siguientes instrucciones de advertencia antes de utilizar el producto.

- No mezcle ni añada combustible en un recinto cerrado o cerca de una fuente de calor.
- No arranque el producto si hay manchas de aceite o combustible sobre el producto o sobre su cuerpo.
- No arranque el producto si el motor presenta fugas de combustible. Examine frecuentemente si hay fugas de combustible en el motor.
- Tenga siempre cuidado con el combustible. El combustible es inflamable, sus vapores son explosivos y puede provocar lesiones graves o la muerte.
- No inhale los vapores de combustible, ya que pueden causar lesiones. Asegúrese de que hay ventilación suficiente.
- No fume cerca del combustible o el motor.
- No coloque el producto ni un recipiente de combustible cerca de objetos calientes, una llama descubierta, una chispa o una llama piloto.
- Use siempre recipientes homologados para el transporte y almacenamiento de combustible.

Instrucciones de seguridad para el mantenimiento



ADVERTENCIA: Lea las siguientes instrucciones de advertencia antes de utilizar el producto.

Dispositivos de seguridad en el producto



ADVERTENCIA: Lea las siguientes instrucciones de advertencia antes de utilizar el producto.

- No utilice un producto que tenga dispositivos de seguridad defectuosos.
- Realice una comprobación de los dispositivos de seguridad con frecuencia. Consulte la sección *Mantenimiento en la página 106*.
- Si los dispositivos de seguridad están defectuosos, hable con su taller de servicio Husqvarna.

Comprobación del silenciador



ADVERTENCIA: No utilice un producto con un silenciador defectuoso.



ADVERTENCIA: El silenciador se calienta mucho durante y después del funcionamiento, incluso con el motor a ralentí. Utilice guantes protectores para evitar quemaduras.



ADVERTENCIA: El interior del silenciador contiene sustancias químicas que pueden ser cancerígenas. No toque el silenciador si está dañado.

- Pare el motor, quite la bujía y deje que el motor se enfríe antes de realizar tareas de mantenimiento y montaje.
- Si el apagachispas se obstruye, el motor se calienta demasiado y puede resultar dañado.

- Si el apagachispas se obstruye con frecuencia, esto puede ser señal de que se ha reducido el rendimiento del catalizador. Hable con su distribuidor para que examine el silenciador.

Montaje

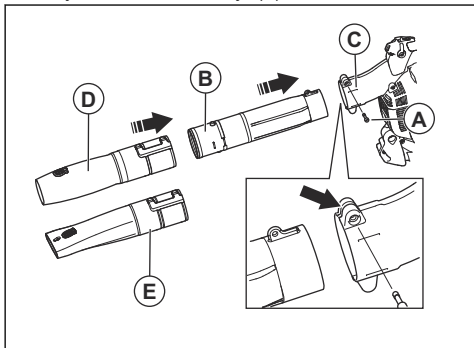
Introducción



ADVERTENCIA: Asegúrese de leer y comprender el capítulo sobre seguridad antes de montar el producto.

Montaje del tubo del soplador

1. Afloje el tornillo de anclaje (A).



2. Monte el tubo intermedio (B) y el tubo de soplado (C).
3. Instale y apriete el tornillo de anclaje (A).
4. Instale la boquilla redonda (D) o la boquilla plana (E) en el tubo intermedio.

Funcionamiento

Introducción



ADVERTENCIA: Asegúrese de leer y comprender el capítulo sobre seguridad antes de usar el producto.

Carburante

Este producto tiene un motor de dos tiempos.



PRECAUCIÓN: Un tipo de combustible incorrecto puede producir daños en el motor. Utilice una mezcla de gasolina y aceite para motores de dos tiempos.

mejorar el nivel de limpieza de los componentes del motor.

Mezcla de combustible

Gasolina

- Utilice gasolina sin plomo de buena calidad con un máximo de un 10 % de etanol.



PRECAUCIÓN: No utilice gasolina con un octanaje inferior a 90 octanos RON (87 AKI). El uso de gasolina de un octanaje inferior puede causar golpeteo del motor, lo cual puede provocar daños en el motor.

Combustible premezclado

- Utilice gasolina de alquilate premezclada Husqvarna para mejorar el rendimiento y prolongar la vida útil del motor. Este combustible contiene menos productos químicos peligrosos que la gasolina tradicional, lo que reduce los gases de escape tóxicos. Con este combustible, se reduce la cantidad de residuos de la combustión, lo que ayuda a

Aceite para motores de dos tiempos

- Para obtener los mejores resultados y un rendimiento óptimo, utilice aceite para motores de dos tiempos Husqvarna.
- Si no se dispone de aceite para motores de dos tiempos Husqvarna, puede utilizarse un aceite para motores de dos tiempos de buena calidad para

motores refrigerados por aire. Póngase en contacto con su taller de servicio para seleccionar el aceite correcto.



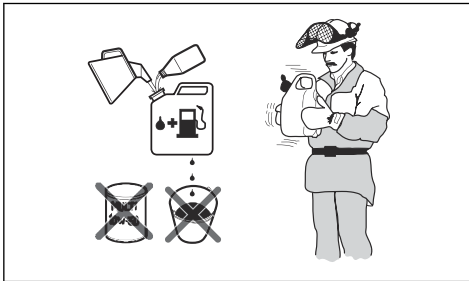
PRECAUCIÓN: No utilice nunca aceite para motores de dos tiempos para motores fueraborda refrigerados por agua. No utilice aceite para motores de cuatro tiempos.

Mezcla de gasolina y aceite para motores de dos tiempos

Gasolina, litros	Aceite para motores de dos tiempos, litros
	2 % (50:1)
5	0,10
10	0,20
15	0,30
20	0,40



PRECAUCIÓN: Los errores, por pequeños que sean, pueden influir en la proporción de la mezcla considerablemente si mezcla pequeñas cantidades de combustible. Mida cuidadosamente la cantidad de aceite para asegurarse de obtener la mezcla adecuada.



1. Agregue la mitad de la cantidad de gasolina a un recipiente limpio homologado para combustible.
2. Añada la cantidad total de aceite.
3. Agite la mezcla de combustible.
4. Añada el resto de gasolina al recipiente.
5. Agite bien la mezcla de combustible.



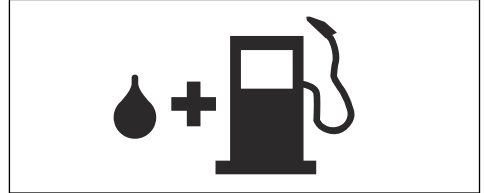
PRECAUCIÓN: No mezcle combustible para más de 1 mes como máximo.

Llenado del depósito de combustible



ADVERTENCIA: Por su seguridad, siga el procedimiento que se indica a continuación.

1. Detenga el motor y deje que se enfríe.
2. Limpie minuciosamente alrededor de la tapa del depósito de combustible.



3. Agite el recipiente y asegúrese de que el combustible esté totalmente mezclado.
4. Abra el tapón del depósito de combustible lentamente para liberar la presión.
5. Llene el depósito de combustible.



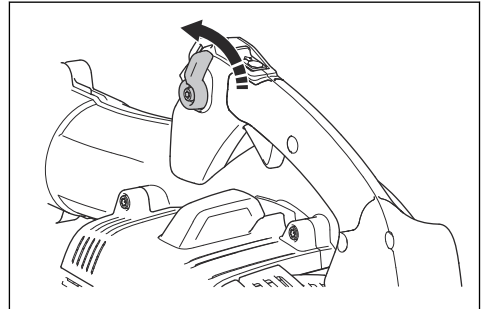
PRECAUCIÓN: Asegúrese de que no haya demasiado combustible en el depósito, ya que este se expande cuando se calienta.

6. Apriete con cuidado el tapón del depósito de combustible.
7. Limpie el combustible derramado sobre el producto y alrededor de él.
8. Aparte el producto 3 m (10 pies) o más del lugar y la fuente de repostaje antes de arrancar el motor.

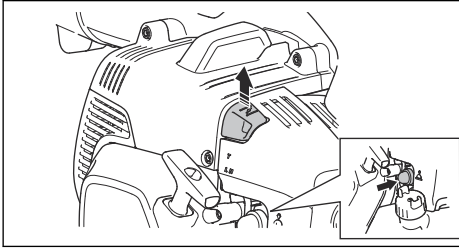
Nota: Para conocer la ubicación del depósito de combustible en el producto, consulte *Introducción en la página 100*.

Arranque del producto

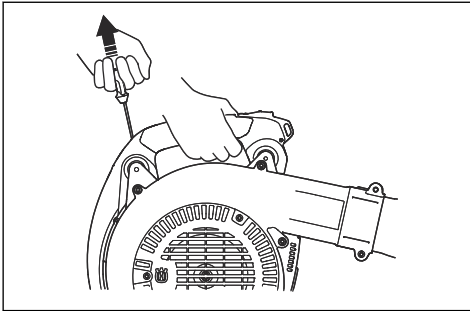
1. Mueva el acelerador a la posición de ralentí.



- Si el motor está frío, coloque el estrangulador en la posición cerrada.



- Presione la perilla de la bomba de combustible hasta que comience a llenarse de combustible. No es necesario llenar completamente la perilla de la bomba de combustible.
- Ponga el producto sobre un suelo plano.
- Agarre el producto con la mano derecha.



PRECAUCIÓN: No sujete el producto con el pie.

- Tire de la empuñadura de la cuerda de arranque lentamente hasta que note resistencia.
- Tire de la empuñadura de la cuerda de arranque rápidamente con la mano izquierda. Tire varias veces de la empuñadura de la cuerda de arranque hasta que el motor se ponga en marcha.

Nota: No tire de la empuñadura de la cuerda de arranque al máximo y no la suelte.

- Si el motor está frío, coloque el estrangulador en la posición abierta.
- Si el motor está frío, déjelo funcionar 2-3 minutos para que se caliente antes del uso.



ADVERTENCIA: Cuando el motor se pone en marcha y el producto se deja a ralentí, sale aire. Evite que se acerque nadie al producto ni al tubo del soplador.

Manejo del producto

- Utilice el producto en el horario de trabajo habitual. Cumpla con las normas locales.
- Utilice una cantidad de equipo mínima y seleccione la velocidad adecuada para la tarea. Ajuste el acelerador al mínimo posible para evitar generar demasiado ruido y más polvo de lo necesario.
- Acerque la boquilla de soplado al suelo.

Nota: Husqvarna recomienda utilizar la extensión completa de la boquilla de soplado.

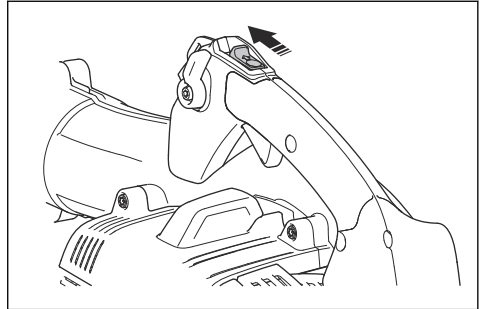
- Fíjese en la dirección del viento y use el producto a favor del viento.
- Utilice las herramientas de jardín necesarias para despegar el material del suelo.
- En zonas con polvo, utilice un pulverizador para humedecer la zona. De esta forma, se reducirá el tiempo de funcionamiento.
- Después de usar el producto, guárdelo en vertical.

Para parar el motor



PRECAUCIÓN: No pare el producto cuando esté funcionando a máxima velocidad.

- Ponga el interruptor de arranque/parada en la posición de parada.



Mantenimiento

Introducción



ADVERTENCIA: Asegúrese de leer y comprender el capítulo sobre seguridad

antes de realizar tareas de mantenimiento en el producto.

Programa de mantenimiento

Mantenimiento	Diario	Semanal	Mensual
Limpie las superficies externas.	X		
Asegúrese de que el acelerador funciona correctamente.	X		
Compruebe que el interruptor de arranque/parada funciona correctamente. Consulte la sección <i>Comprobación del interruptor de arranque/parada en la página 103.</i>	X		
Examine el motor, el depósito de combustible y los conductos de combustible para detectar posibles fugas. Examine el filtro de combustible por si presenta contaminación. Sustituya el filtro de combustible si es necesario.	X		
Limpie el filtro de aire. Cambie el filtro de aire si es necesario.	X		
Apriete las tuercas y los tornillos.	X		
Inspeccione la toma de aire y verifique que no esté obstruida.	X		
Examine el mecanismo de arranque y la cuerda de arranque en busca de daños.		X	
Examine los amortiguadores de vibraciones para comprobar si presentan daños o grietas, o si están deformados. Compruebe que los amortiguadores de vibraciones están correctamente instalados.		X	
Examine la bujía. Consulte la sección <i>Mantenimiento de la bujía en la página 107.</i>		X	
Limpie el sistema de refrigeración.		X	
Limpie el exterior del carburador y la zona alrededor del mismo.		X	
Limpie el depósito de combustible.			X
Examine todos los cables y conexiones.			X
Examine y limpie el apagachispas del silenciador (para productos sin catalizador).		X	
Examine y limpie el apagachispas del silenciador (para productos con catalizador).			X
Cambie la bujía. Asegúrese de que está conectada con un supresor.			X

Para ajustar el régimen de ralentí

1. Asegúrese de que el filtro de aire esté limpio y tenga colocada la cubierta.
2. Regule el ralentí con el tornillo de ralentí. Para conocer la ubicación del tornillo de ralentí en el producto, consulte *Descripción del producto en la página 100.*

Una bujía incorrecta puede provocar daños en el producto.

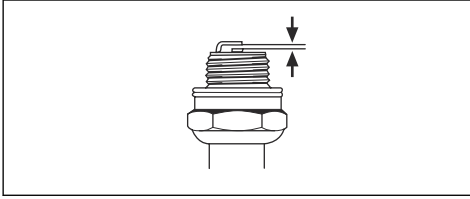
1. Detenga el motor y deje que el producto se enfríe.
2. Limpie la bujía si está sucia.

Mantenimiento de la bujía



PRECAUCIÓN: Utilice la bujía recomendada. Consulte la sección *Mantenimiento de la bujía en la página 107.*

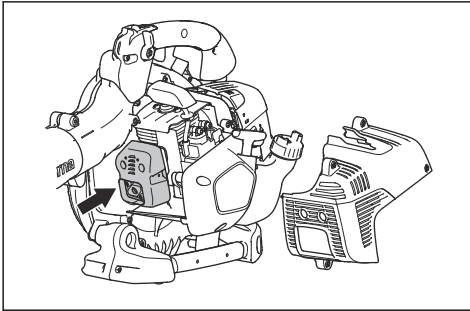
3. Compruebe que la distancia entre los electrodos sea correcta. Consulte la sección *Datos técnicos en la página 111*.



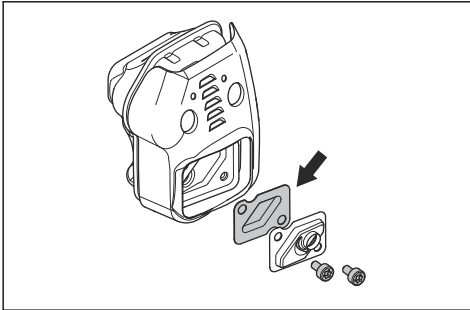
4. Cambie la bujía todos los meses o más a menudo si es necesario.

Mantenimiento del silenciador

1. Detenga el motor y deje que el silenciador se enfríe. Utilice guantes protectores.



2. Retire la cubierta del silenciador.
3. Realice una comprobación visual. Sustituya el apagachispas si está dañado.



Inspección y limpieza del sistema de refrigeración

El sistema de refrigeración incluye las aletas de refrigeración del cilindro y la rejilla de la toma de aire.

1. Pare el motor.

2. Asegúrese de que el sistema de refrigeración no esté dañado ni obstruido. Si es necesario, limpie la rejilla de la toma de aire y las aletas de refrigeración.



PRECAUCIÓN: Un sistema de refrigeración sucio u obstruido puede producir el sobrecalentamiento del motor, lo cual puede provocar daños en el producto. Una rejilla de la toma de aire obstruida afecta negativamente a la fuerza de soplado.

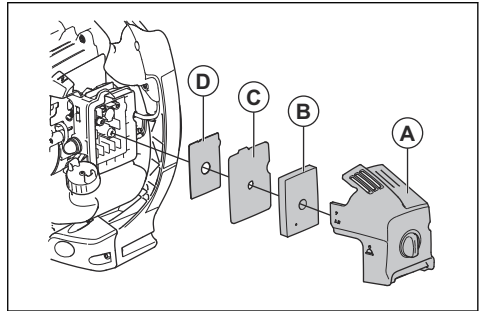
3. Examine el sistema de refrigeración para comprobar si presenta daños. Asegúrese de que los componentes estén bien montados en el producto.

Para limpiar el filtro de aire



PRECAUCIÓN: No utilice el producto sin haber instalado un filtro de aire, ni tampoco si el filtro de aire está dañado. El polvo presente en el aire puede dañar el motor.

1. Coloque el estrangulador en la posición cerrada.
2. Retire la cubierta del filtro de aire (A).



3. Retire el filtro de aire (B) del bastidor del filtro.
4. Limpie el filtro de aire (B) con agua tibia y jabón.

Nota: Un filtro de aire que se haya utilizado durante mucho tiempo no se puede limpiar por completo. Sustituya el filtro de aire periódicamente y cambie siempre el filtro de aire si está defectuoso.

5. Limpie la superficie interior de la cubierta del filtro de aire (A) con un cepillo.
6. Retire y sustituya el filtro de fieltro (C) si está sucio.
7. Instale la pantalla (D), el filtro de fieltro (C) y el filtro de aire (B).
8. Coloque la cubierta del filtro de aire (A) en el producto.

Resolución de problemas

El motor no arranca		
Comprobar	Causa posible	Solución
Botón de parada.	Posición de parada	Coloque el mando de detención en posición de arranque.
Ganchos de arranque.	Ganchos de arranque bloqueados o desgastados.	Ajuste o sustituya los ganchos de arranque.
		Limpie alrededor de los ganchos de arranque.
		Acuda a un centro de servicio autorizado.
Depósito de combustible.	Tipo de combustible incorrecto.	Vacíe el depósito de combustible y llénelo con el combustible adecuado.
Carburador.	Reglaje del régimen de ralentí	Regule el régimen de ralentí con el tornillo de ajuste.
Chispa (no hay chispa).	Bujía sucia o húmeda.	Asegúrese de que la bujía de encendido está seca y limpia.
	La distancia entre los electrodos de la bujía es incorrecta.	Limpie la bujía. Compruebe que la distancia entre los electrodos sea correcta. Asegúrese de que la bujía está equipada con supresor.
		Consulte los datos técnicos para conocer la distancia entre los electrodos correcta.
Bujía.	Bujía suelta.	Apriete la bujía.
	Hay material no deseado en los electrodos de la bujía.	Asegúrese de que la mezcla de combustible sea correcta.
		Asegúrese de que el filtro de aire esté limpio.

El motor arranca pero se para de nuevo		
Comprobar	Causa posible	Solución
Depósito de combustible.	Tipo de combustible incorrecto.	Vacíelo y utilice el combustible adecuado.
Carburador.	El motor no funciona correctamente a ralentí.	Acuda a su distribuidor.
Filtro de aire.	Filtro de aire obstruido.	Limpie el filtro de aire.

Transporte y almacenamiento



ADVERTENCIA: Para evitar el riesgo de incendio, asegúrese de que no haya fugas ni vapores durante el transporte o el almacenamiento. Asegúrese de que no existe riesgo de chispas ni de incendio.

- Vacíe el depósito de combustible antes de transportar el producto o almacenarlo un tiempo prolongado. Presione la perilla de la bomba de combustible para verificar que se haya extraído todo el combustible. Deseche el combustible en una ubicación adecuada para su eliminación.
- Asegúrese de que el producto esté limpio y de haber realizado todas las tareas de mantenimiento pertinentes antes de guardarlo durante periodos prolongados.
- Quite la bujía y vierta aproximadamente 15 ml de aceite para motores de dos tiempos en el cilindro. Haga girar el producto 3 veces e instale de nuevo la bujía.
- Fije el producto firmemente al vehículo durante el transporte.
- Ponga el producto en un lugar seco, fresco y limpio, con una ventilación adecuada. Mantenga el producto alejado de los niños.

Datos técnicos

Datos técnicos

	Husqvarna 525BX
Motor	
Cilindrada, cm ³	25,4
Régimen de ralentí, rpm	3000
Catalizador	Sí
Sistema de encendido	
Bujía	NGK BPMR8Y
Distancia entre electrodos, mm	0,6-0,7
Sistema de combustible y lubricación	
Capacidad del depósito de combustible, l / cm ³	0,45 / 450
Peso	
Peso sin combustible, kg	4,4
Emisiones de ruido²²	
Nivel de potencia acústica medida, dB(A)	104
Nivel de potencia acústica garantizado L _{WA} dB(A)	106
Niveles acústicos²³	
Nivel de presión sonora equivalente en el oído del usuario, medido conforme a EN15503, dB(A):	
Equipado con boquilla redonda	91
Equipado con boquilla plana	92
Niveles de vibraciones²⁴	
Niveles de vibración equivalentes (a _{hv,eq}) en los mangos, medidos conforme a EN 15503, m/s ²	
Equipado con boquilla redonda	1,2
Equipado con boquilla plana	2,0
Rendimiento del ventilador	
Velocidad máxima del aire con boquilla redonda, m/s	70

²² Emisiones sonoras en el entorno medidas como potencia acústica (L_{WA}) según la directiva CE 2000/14/CE. El nivel referido de potencia sonora de la máquina se ha medido con el boquilla de soplado original que produce el nivel más elevado. La diferencia entre la potencia sonora garantizada y medida es que la potencia sonora garantizada también incluye la dispersión en el resultado de la medición y las variaciones entre diferentes máquinas del mismo modelo, según la directiva 2000/14/CE.

²³ Los datos referidos del nivel de presión sonora tienen una dispersión estadística habitual (desviación típica) de 1,0 dB (A).

²⁴ Los datos referidos del nivel de vibración poseen una dispersión estadística habitual (desviación típica) de 1,0 m/s².

	Husqvarna 525BX
Velocidad máxima del aire con boquilla plana, m/s	86
Caudal de aire con boquilla redonda, m ³ /min	13
Caudal de aire con boquilla plana, m ³ /min	10

Declaración de conformidad CE

Declaración CE de conformidad

Husqvarna AB, SE-561 82 Huskvarna, Suecia, tel. +46-36-146500, declara que el soplador **Husqvarna 525BX** con número de serie a partir de 2016 (el año se indica claramente en la placa de características, seguido del número de serie), cumple con las disposiciones de la DIRECTIVA DEL CONSEJO:

- Del 17 de mayo de 2006 "relativa a máquinas", **2006/42/CE**.
- Del 26 de febrero de 2014 "relativa a compatibilidad electromagnética", **2014/30/UE**.
- Del 8 de mayo de 2000 "relativa a emisiones sonoras en el entorno", **2000/14/CE**. Declaración de conformidad efectuada conforme al anexo V. Para obtener información respecto a las emisiones sonoras, consulte *Datos técnicos en la página 111*.
- De 8 de junio de 2011 "sobre restricciones de utilización de determinadas sustancias peligrosas en aparatos eléctricos y electrónicos" **2011/65/UE**.

Se han aplicado las normas siguientes:

EN ISO 12100-2/A1:2009, CISPR 12:2009, EN 15503:2009/A2:2015, EN 50581:2012

RISE SMP Svensk Maskinprovning AB, ha llevado a cabo un examen voluntario en nombre de Husqvarna AB. El certificado tiene el número: **SEC/14/2423 - 525BX**.

Huskvarna, 2020-01-01



Per Gustafsson, director de desarrollo (representante autorizado de Husqvarna AB y responsable de la documentación técnica)

Sisukord

Sissejuhatus.....	114	Veaotsing.....	122
Ohutus.....	115	Transportimine ja hoiustamine.....	123
Kokkupanek.....	117	Tehnilised andmed.....	124
Töö.....	118	EÜ vastavusdeklaratsioon.....	126
Hooldamine.....	120		

Sissejuhatus

Seadme kirjeldus

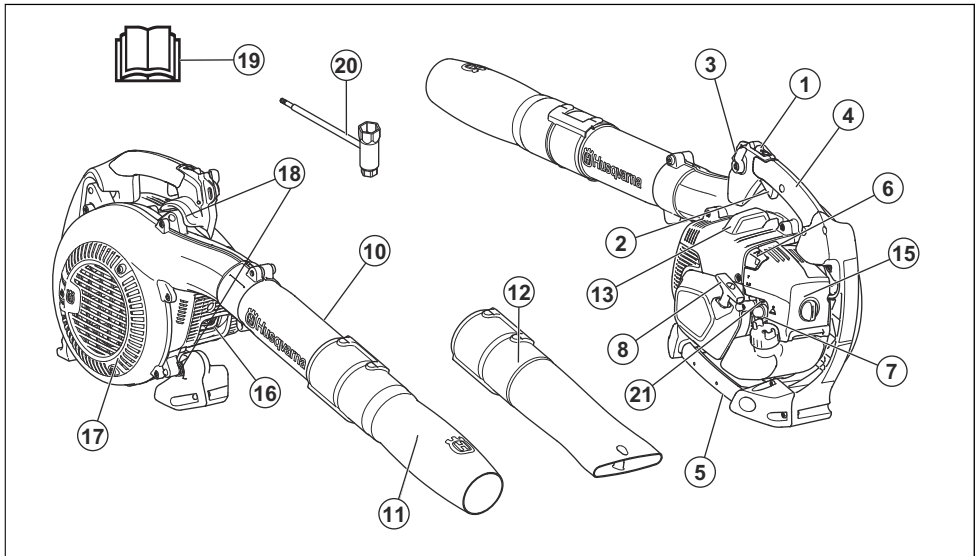
See toode on sisepõlemismootoriga puhurseade.

Tegeleme pidevalt oma toodete edasiarendamisega ning seetõttu jätame endale õiguse muuta toodete disaini ja välimust ilma sellest ette teatamata.

Kasutusotstarve

Kasutage toodet lehtede või muu soovimatu materjali ärapuhumiseks näiteks murult, teeradadelt ja asfaltteedelt.

Seadme tutvustus



1. Käivitus-/seiskamisülüiti
2. Gaasihoovastiku nupp
3. Gaasihoob
4. Juhtkäepide
5. Käepide
6. Õhuklapp
7. Kütusepump
8. Käivitusnööri käepide
9. Klambrikruvi
10. Vahetoru
11. Ümarotsak
12. Lameotsak
13. Süüteküünal
14. Kütusepaagi kork
15. Õhufilter
16. Summuti
17. Õhu sissepääsuava
18. Vibratsioonisummutussüsteem
19. Kasutusjuhend
20. Lehtsilmsvõti
21. Tühikäigu pöörete arvu reguleerimiskruvi

Sümbolid seadmel



HOIATUS! Toode võib olla ohtlik ja põhjustada kasutaja või kõrvaliste isikute ohtliku kehavigastuse või surma. Ole ettevaatlik ja kasuta toodet õigesti.



Enne seadme kasutamist loe kasutusjuhend hoolikalt läbi ja veendu, et kõik juhised oleksid täiesti arusaadavad.



Kasuta heakskiidetud kõrvaklappe ja kaitseprille. Kui keskkond sisaldab tolmu, kannu hingamismaski.



Kanna heakskiidetud kaitsekindaid.



See toode vastab kehtivatele EÜ direktiividele.



Kasuta bensiini ja kahetaktilise mootori õli segu.



Kütusepump.



Õhuklapp, avatud asend.



Õhuklapp, suletud asend.



Keskkonda paisatava müra tase vastab Euroopa direktiivi 2000/14/EÜ ja Uus Lõuna-Walesi seaduse „Protection of the Environment Operations (Noise Control)

Regulation 2017” nõuetele. Mürataseme andmed on toodud seadme sildil ja peatükis Tehnilised andmed.



Hoidu eemalepaikuvate esemete eest. Õhku paiskuvad esemed võivad põhjustada raskeid vigastusi. Kasuta isikukaitsevahendeid.



Hoia inimeste või loomadega minimaalselt 15 m ohutut vahe-maad.

aaaannxxxx

Andmesildilt leiad seerianumbri. **aaaa** on tootmisaasta ja **nn** on tootmisnädal.

Märkus: Seadmel toodud ülejäänud sümbolid/tähised vastavad muude kommertsvaldkondade sertifitseerimisnõuetele.

Euro V heitmed



HOIATUS: Mootori igasugune modifitseerimine, muutmine või rikkumine tühistab toote EL-i tüübikinnituse.

Tootevastutus

Tootevastutusseaduste alusel ei vastuta me tootest tingitud kahjustuste eest, kui:

- toodet on valesti parandatud;
- toote parandamisel on kasutatud osi, mis ei ole tootja poolt valmistatud või heakskiidetud;
- tootel on kasutatud tarvikut, mis ei ole tootja poolt valmistatud või heakskiidetud;
- toodet ei ole parandatud volitatud hoolduskeskuses või volitatud isiku poolt.

Ohutus

Ohutuse määratlused

Järgnevad määratlused näitavad märgusõnade raskusastet.



HOIATUS: Kehavigastused.



ETTEVAATUST: Toote kahjustus.

Märkus: See teave hõlbustab toote kasutamist.

Üldised ohutuseeskirjad



HOIATUS: Enne toote kasutamist loe läbi järgnevad hoiatused.

- Ära tee toote juures ilma tootja heakskiiduta muudatusi ja kasuta alati originaalvarvikuid. Heakskiitmata muudatused ja/või tarvikud võivad põhjustada kasutaja või teiste isikute surma või raske vigastuse.
- Ära kasuta kahjustatud seadet. Teosta käesolevas juhendis kirjeldatud ohutuskontrollide ja hooldustöid. Kõik muud hooldustööd tuleb lasta teha volitatud hooldustöökojas.
- Igasugune teenindamis- ja remonditööd tuleb lasta teha volitatud hooldustöökojas. Kui toote mõni osa on defektiga, pöörduge hooldusesindusse.

Ohutusjuhised kasutamisel



HOIATUS: Enne toote kasutamist loe läbi järgnevad hoiatused.

- Toode võib olla ohtlik ja põhjustada kasutaja või kõrvaliste isikute ohtliku kehavigastuse või surma. Olge ettevaatlik ja kasutage toodet õigesti.
- Kontrolli seadet enne kasutamist. Vt jaotist *Hooldamine lk 120*.
- Ära kasuta toodet, kui oled väsinud, haige või tarvitanud alkoholi või muid narkootilisi aineid, mis võib pärssida teie nägemisvõimet, hindamisvõimet või koordineerimist.
- Paigalda enne kasutamist kõik katted ja kaitsed. Elektriõõgi vältimiseks veendu, et süüteküünla piip ja süüteküünla juhe ei oleks kahjustatud.
- Ära puuduta mootori töötamise ajal süüteküünal ega süütejuhet.
- Hoi inimeste või loomadega minimaalselt 15 m ohutut vahemaad. Kui inimesed, lapsed või loomad tulevad lähemale kui 15 m, seiska seade. Suuna toode eemale inimestest, loomadest, avatud akendest ja teistest objektidest.
- Ära luba lastel seadet käsitada. Veendu, et kõik kasutajad on käesoleva kasutusjuhendi läbi lugenud ja saavad sellest aru.
- Hoi käed ja teised esemed seadme kasutamise ajal puhuri korpusest eemal. Pöörlevad esemed võivad põhjustada raskeid vigastusi.
- Ära kasuta toodet, kui õhu sissepääsuava on paigaldamata. Veendu enne kasutamist alati, et õhu sissepääsuava on paigaldatud ja pole kahjustatud.
- Hädaolukorra tekkides vabasta rakemete vöö- ja rinnarihm ning lase tootel maha kukkuda.
- Pea kinni riiklikest õigusaktidest ja määrustest.
- Hoi kõik kehaosad kuumadest pindadest eemal.
- Liiga tugev vibratsioon võib kahjustada vereringet või närvisüsteemi. Pea nõu arstiga, kui sul esinevad

järgmised sümptomid: sõrmede, käte või randmete tuimus, tundetus, surisemine, kibelemine, valu, jõu kaotus või nahavärvuse muutumine.

- Hoidu eemalepaikuvate esemete eest. Õhku paiskuvad esemed võivad põhjustada raskeid vigastusi.
- Hoidu seadme kasutamisest halva ilmaga, nt tihedas udus, tugeva vihma, tugeva tuule või suure külraga. Halva ilmaga töötamine võib põhjustada väsimust ja ohtlike olukordade teket.
- Veendu et saaksid liikuda ja töötada stabiilses asendis. Kontrolli tööpiirkonda võimalike takistuste, näiteks kivide suhtes. Ole ettevaatlik toote kasutamisel kallakul.
- Ära aseta töötava mootoriga toodet maapinnale.
- Ära kasuta toodet viibides kõrgetel kohtadel, näiteks redelil.
- Veendu, et teid oleks alati kuulda, kui õnnetus peaks juhtuma.
- Veendu, et mootori heitgaasi väljalaskeava ei oleks tõkestatud. Toote kahjustamise vältimiseks hoi võimalikud takistused heitgaasi väljalaskeavast vähemalt 50 cm kaugusel.
- Ära käivita toodet siseruumis, ebasoodsa tuulesuuna korral ega tuleohtlike materjalide ligidal. Mootori heitgaasid sisaldavad vingugaasi, mis võib põhjustada vingumürgitust. Mootori heitgaasid on tulised ja võivad sisaldada sädemeid, mis võivad põhjustada tulekahju.

Isikukaitsevahendid



HOIATUS: Enne seadme kasutamist loe läbi järgnevad hoiatused.

- Seadmega töötamisel tuleb kasutada entenahtud isiklikku kaitsevarustust. Isikukaitsevarustus ei välista täielikult kehavigastuste ohtu, kuid vähendab õnnetusjuhtumi korral kehavigastuse raskusastet. Lisateabe saamiseks võta ühendust edasimüüjaga.
- Kanna heakskiidetud kõrvaklappe. Pikaajaline müra võib tekitada püsiva kuuliskahjustuse.
- Kanna heakskiidetud kaitseprille. Näokaitseme kasutamisel tuleb lisaks kasutada heakskiidetud kaitseprille. Heakskiidetud kaitseprillide all mõeldakse selliseid prille, mis vastavad standardile ANSI Z87.1 USA-s või EN 166 Euroopa Liidu riikides.
- Kasuta töötamise ja hooldamise ajal kaitsekindaid.
- Kanna libisemiskindla tallaga kaitsepaapaid või -jalatseid.
- Kasuta täispikki ja tugevast kangast riideid. Ära kasuta ehteid ega lahtisi jalatseid. Vigastusteohu vähendamiseks peavad riietuseseemed hoidma ümber keha, kuid mitte piirama sinu liigutusi. Kinnita juuksed õlgadest kõrgemale, et vältida juuste sattumist liikuvate osade vahele või oksade külge jäämist.

- Tolmu tekkimise ohu korral kasuta hingamiskaitset.
- Hoida esmaabikomplekti kättesaadavas kohas.

Toote ohutusseadised



HOIATUS: Enne seadme kasutamist lugege läbi järgnevad hoiatused.

- Ärge kunagi kasutage seadet, kui selle ohutusseadised on defektsed.
- Kontrollige ohutusseadiseid regulaarselt. Vt jaotist *Hooldamine lk 120*.
- Kui ohutusseadised on defektsed, pöörduge Husqvarna hooldusesindusse.

Summuti kontrollimine



HOIATUS: Ära kasuta defektse summutiga seadet.



HOIATUS: Summutid muutuvad kasutamise ajal ja pärast kasutamist, samuti tühikäigul, väga kuumaks. Põletusvigastuste vältimiseks kasuta kaitsekindaid.



HOIATUS: Summuti sisaldab kemikaale, mis võivad olla kantserogeense toimega. Ära puuduta kahjustatud summutit.

- Kontrolli summutit regulaarselt visuaalselt. Summuti ülesandeks on hoida müratase võimalikult madalal ja suunata mootori heitgaasid kasutajast eemale. Vt jaotist *Süüteküünla hooldamine lk 121*.

Vibratsioonisummutussüsteemi kontrollimine

1. Veenduge, et vibratsioonisummutusseadised poleks pragunenud ega deformeerunud.
2. Veenduge, et vibratsioonisummutusseadised oleksid mootori ja käepidemete külge kindlalt kinnitatud.

Teavet vibratsioonisummutussüsteemi täpse paiknemise kohta enda tootel vt *Seadme tutvustus lk 114*.

Käivitus-/seiskamislülitit kontrollimine

1. Mootori seiskamiseks kasuta käivitus-/seiskamislülitit.

2. Veendu, et mootor on täielikult seiskunud.

Tootel käivitus-/seiskamislülitit asukoha leidmiseks vt *Seadme tutvustus lk 114*.

Ohutusnõuded kütuse käsitsemisel



HOIATUS: Enne toote kasutamist loe läbi järgnevad hoiatused.

- Ära sega ega lisa kütust siseruumides ega kuumusallika lähedal.
- Ära käivita toodet, kui tootel või sinu kehal kütust või õli.
- Ära käivita toodet, kui mootorist lekitab kütust. Kontrolli regulaarselt mootori lekkekindlust.
- Ole kütuse käsitsemisel ettevaatlik. Kütus on tuleohtlik ja kütuse aurud on plahvatusohtlikud ning võivad põhjustada kehavigastusi või surma.
- Ära hinga sisse kütuseaure – see võib põhjustada kehavigastuse. Taga piisav õhuvahetus.
- Ära suitseta kütuse ega mootori läheduses.
- Ära aseta toodet ega kütusenõud kuumade esemete lähedale või kohta, kus on lahtine leek, sädemed või süüteleek.
- Kütuse transportimiseks ja hoiustamiseks kasuta heakskiidetud mahuteid.

Ohutusjuhised hooldamisel



HOIATUS: Enne toote kasutamist loe läbi järgnevad hoiatused.

- Seiska enne hooldamist ja kokkupanemist mootor, eemalda süüteküünal ja lase mootoril jahtuda.
- Ummistunud sädemepüüdari tõttu muutub mootor liiga kuumaks ning see võib mootorit kahjustada.
- Kui sädemepüüdari rest ummistub sageli, võib see olla märk sellest, et katalüsaatori jõudlus on vähenenud. Summuti kontrollimiseks võta ühendust hooldusesindusega.

Kokkupanek

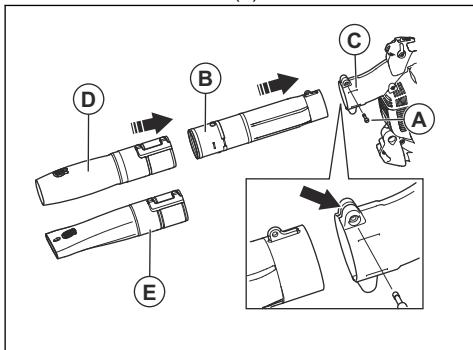
Sissejuhatus



HOIATUS: Enne toote kokkupanekut lugege ohutuspeatükki ja tehke selles olev teave endale arusaadavaks.

Puhuritoru kinnitamine

1. Keera lahti klambrikruvi (A).



2. Paigalda puhuritoru (C) külge vahetoru (B).
3. Paigalda ja keera kinni klambrikruvi (A).
4. Paigalda vahetoru külge ümarotsak (D) või lameotsak (E).

Töö

Sissejuhatus



HOIATUS: Enne toote kasutamist lugege läbi ohutuspeatükk ja veenduge, et oleksite kõigest aru saanud.

Kütus

Tootel on kahetaktiline mootor.



ETTEVAATUST: Vale kütuse kasutamine võib mootorit kahjustada. Kasutage bensiini ja kahetaktiõli segu.

Kahetaktiõli

- Parimate tulemuste ja jõudluse saavutamiseks kasutage Husqvarna kahetaktiõli.
- Kui Husqvarna kahetaktiõli pole saadaval, kasutage õhkjahutusega mootoritele mõeldud kvaliteetset kahetaktiõli. Õige õli valimiseks pöörduge hooldusesindusse.



ETTEVAATUST: Ärge kasutage vesijahutusega pärmootoritele mõeldud kahetaktiõli, mida tuntakse ka paadimootoriõlina. Ärge kasutage neljaktimootori õlisid.

Eelsegatud kütus

- Parima jõudluse saavutamiseks ja mootori tööea pikendamiseks kasutage Husqvarna eelsegatud alkülaatkütust. See kütus sisaldab tavalise kütusega võrreldes vähem kahjulikke kemikaale, mis omakorda vähendab kahjulikke heitgaase. Selle kütuse korral on põlemisjääkide hulk väiksem ja see aitab hoida mootoriosad puhtamana.

Kütuse segamine

Bensiin

- Kasutage kvaliteetset kuni 10% etanoolisisaldusega pliivaba bensiini.



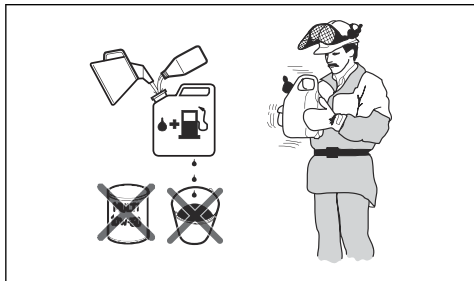
ETTEVAATUST: Ärge kasutage bensiini, mille oktaaniarv on alla 90 RON (87 AKI). Madalama oktaaniarvuga bensiini kasutamine võib põhjustada mootori kloppimist, mis omakorda kahjustab mootorit.

Bensiini ja kahetaktiõli segamine

Bensiin, l	Kahetaktiõli, l
	2% (50:1)
5	0,10
10	0,20
15	0,30
20	0,40



ETTEVAATUST: Väikeste kütusekoguste segamisel võib väike viga segusuhet oluliselt mõjutada. Mõõtke segatava õli kogus väga täpselt ja veenduge, et segu oleks õige.



1. Valage puhtasse kütusenõusse pool bensiinikogusest.
2. Valage nõusse kogu vajaminev õlikogus.
3. Segage kütusesegu.
4. Lisage nõusse ülejäänud bensiinikogus.
5. Segage kütusesegu hoolikalt.



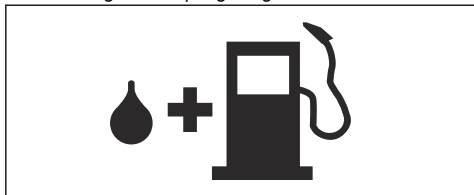
ETTEVAATUST: Ärge segage kütust korraga rohkem, kui on teie ühe kuu varu.

Kütusepaagi täitmine



HOIATUS: Ohutuse tagamiseks järgige tegevusjuhiseid.

1. Seisake mootor ja laske mootoril maha jahtuda.
2. Puhastage kütusepaagi korki ümbrus.



3. Loksutage kütusenõu veendumaks, et kütus on täielikult segunenud.
4. Surve vabastamiseks avage kütusepaagi kork aeglaselt.
5. Täitke kütusepaak.



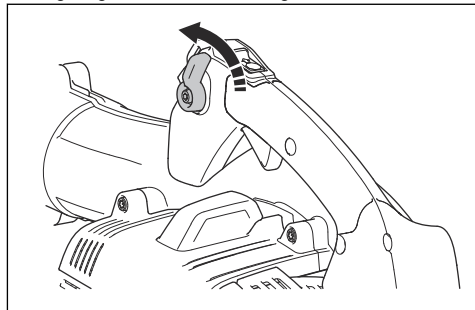
ETTEVAATUST: Veenduge, et paagis ei ole liiga palju kütust. Kuumenedes kütus paisub.

6. Pingutage kütusepaagi korki korralikult.
7. Eemaldage mahavalgunud kütus tootelt ja selle ümbrusest.
8. Enne mootori käivitamist viige seade tankimiskohast ja kütusenõust vähemalt kolme meetri kaugusele.

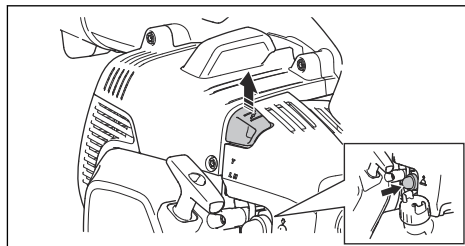
Märkus: Kütusepaagi asukoha leidmiseks oma seadmel vt *Sissejuhatus lk 114*.

Toote käivitamine

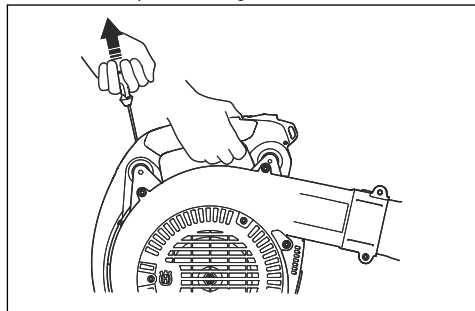
1. Liiguta gaasihoovastik tühikäiguasendisse.



2. Kui mootor on külm, lükka õhuklapp suletud õhuklapi asendisse.



3. Vajuta korduvalt kütusepumpa, kuni kütus hakkab kütusepumpa valguma. Kütusepump peab olema kütusega täidetud.
4. Aseta toode maapinnale.
5. Hoia toodet parema käega.



ETTEVAATUST: Ära kasuta toote hoidmiseks jalgu.

6. Tõmba aeglaselt käivitusnööri käepidet, kuni tunneted vastusurvet.

7. Tõmba vasaku käega kiirelt käivitusnööri käepidet. Tõmba kiiresti ja jõuga käivitusnööri käepidemest, kuni mootor käivitub.

Märkus: Ära tõmba käivitusnööri käepidet lõpuni välja ja ära lase käivitusnööri käest lahti.

8. Kui mootor on külm, sea õhuklapp avatud asendisse.

9. Kui mootor on külm, lase mootoril 2–3 minutit töötada, et see enne seadme kasutamist üles soojeneks.



HOIATUS: Mootori käivitamisel ja tühikäigul töötamisel vabaneb õhk. Ära luba inimestel tulla toote või puhuritoru lähedale.

Toote kasutamine

- Kasuta tooted tavalisel tööajal. Järgi kohalikke kehtivaid eeskirju.
- Vähenda seadme osi ja vali oma töö jaoks sobiv kiirus. Liigse müra ja tolmu vältimiseks kasuta gaasitrikliit selle madalaimas võimalikus asendis.
- Hoia puhuriotsak maapinna lähedal.

Märkus: Husqvarna soovib teil kasutada täis puhuriotsaku pikendust.

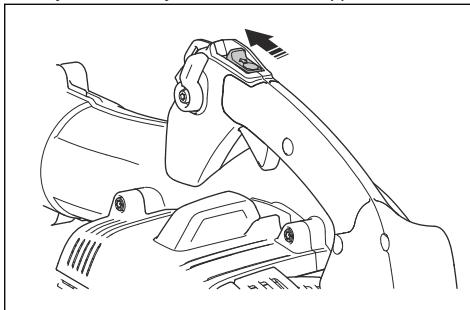
- Jälgi tuulesuunda ja kasuta toodet allatuult.
- Kasuta materjali maapinnalt vabastamiseks sobivat aiatööriista.
- Tolmustes piirkondades niisuta pritsi abil maapinda. See lühendab kasutamisaega.
- Hoiusta seade pärast kasutamist vertikaalasendis.

Mootori seiskamine



ETTEVAATUST: Ära seiska täiskiirusel töötavat seadet.

- Vajuta käivitus- ja seiskamislüliti stoppasendisse.



Hooldamine

Sissejuhatus



HOIATUS: Enne seadme hooldamist lugege läbi ohutuspeatükk ja veenduge, et see oleks teile täielikult arusaadav.

Hoolduskeem

Hooldamine	Üks kord päevas	Üks kord nädalas	Üks kord kuus
Puhasta välispinnad.	X		
Veendu, et gaasihoovastik töötaks korralikult.	X		
Veendu, et käivitus-/seiskamislüliti töötaks korralikult. Vt <i>Käivitus-/seiskamislüliti kontrollimine lk 117</i> .	X		
Kontrolli, et mootorist, kütusepaagist ega kütusetorudest ei lekiks kütust. Veendu, et kütusefiltril poleks saastet. Vajaduse korral vaheta välja õhufilter.	X		
Puhasta õhufilter. Vajaduse korral vaheta välja õhufilter.	X		
Keera kinni mutrid ja poldid.	X		
Kontrolli õhu sissevõttu ja veendu, et see poleks blokeeritud.	X		
Kontrolli, kas starter ja käivitusnõör on terved.		X	

Hooldamine	Üks kord päevas	Üks kord nädalas	Üks kord kuus
Kontrolli, et vibratsioonisummutusosadel poleks kahjustusi, mõrsad ega deformatsioonimärke. Veendu, et vibratsioonisummutajad oleks õigesti paigaldatud.		X	
Kontrolli süüteküünalt. Vt <i>Süüteküünal kontrollimine lk 121.</i>		X	
Puhasta jahutussüsteem.		X	
Puhasta karburaatori välispind ja selle ümbrus.		X	
Puhasta kütusepaak.			X
Kontrolli kõiki juhtmeid ja ühendusi.			X
Kontrolli ja puhasta summutil asuv sädemepüüdu ekraan (ilma katalüsaatorita toodete puhul).		X	
Kontrolli ja puhasta summutil asuv sädemepüüdu ekraan (katalüsaatoriga toodete puhul).			X
Vaheta süüteküünal. Veendu, et sellele oleks paigaldatud raadiohäirete kaitse.			X

Tühikäigu pöörete arvu reguleerimine

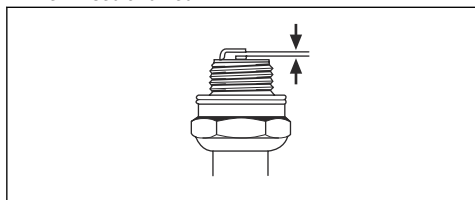
1. Veendu, et õhufilter oleks puhas ja et õhufiltri kate oleks paigaldatud.
2. Reguleeri tühikäigu pöörete arvu tühikäigupöörete reguleerimiskruviga. Tootel tühikäigu pöörete arvu reguleerimiskruvi asukohta leidmiseks vt *Seadme tutvustus lk 114.*

Süüteküünal kontrollimine



ETTEVAATUST: Kasuta soovitatud tüüpi süüteküünalt. Vt jaotist *Süüteküünal kontrollimine lk 121.* Vale süüteküünal võib toodet kahjustada.

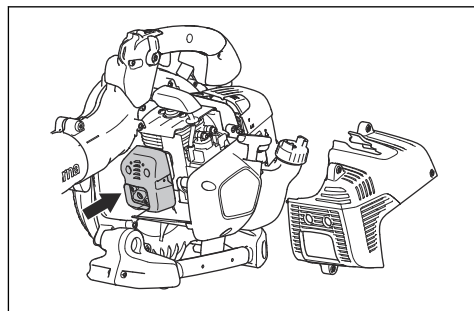
1. Seiska mootor ja lase tootel maha jahtuda.
2. Puhasta määrdunud süüteküünal.
3. Veendu, et elektroodide vahe oleks õige. Vt jaotist *Tehnilised andmed lk 124.*



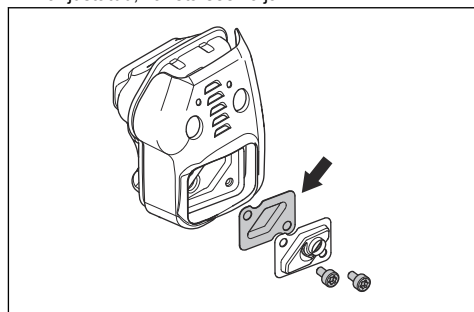
4. Vaheta süüteküünal kord kuus või vajaduse korral sagedamini.

Süüteküünla hooldamine

1. Seiska mootor ja lase summutil maha jahtuda. Kasuta kaitsekindaid.



2. Eemalda summuti kate.
3. Tee visuaalne kontroll. Kui sädemepüüdurvõrk on kahjustatud, vaheta see välja.



Kontrolli ja puhasta jahutussüsteemi.

Jahutussüsteem koosneb silindril jahutusribidest õhu sissevõtuavast.

1. Seiska mootor.
2. Veendu, et jahutussüsteem poleks määrdunud ega ummistunud. Vajaduse korral puhasta õhu sissevõtuava ja jahutusribid.



ETTEVAATUST: Määrdunud või ummistunud jahutussüsteem suurendab mootori temperatuuri ja võib kahjustada toodet. Ummistunud õhu sissevõtuava vähendab puhumisjõudu.

3. Kontrolli jahutussüsteemi kahjustuste suhtes. Veendu, et kõik osad on õigesti toote külge kinnitatud.

3. Eemalda filtrikorpusest õhufilter (B).
4. Puhasta õhufilter (B) sooja seebiveega.

Märkus: Pikemat aega kasutatud õhufiltrit ei ole võimalik täiesti puhtaks saada. Vaheta õhufiltrit regulaarselt, vigane õhufilter vaheta alati välja.

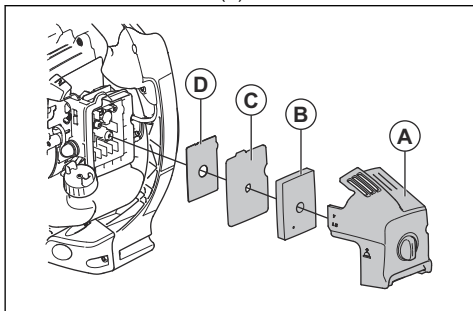
5. Puhasta kaitsekatte sisepind harjaga.
6. Eemalda ja vaheta vildist filter (C), kui see on määrdunud.
7. Paigalda ekraan (D), vildist filter (C) ja õhufilter (B).
8. Paigalda tootele õhufiltri kate (A).

Õhufiltri puhastamine



ETTEVAATUST: Ära kasuta toodet, kui õhufilter on puudu või on kahjustunud. Õhus leiduv tolm võib mootorit kahjustada.

1. Lükka õhuklapp suletud õhuklapi asendisse.
2. Eemalda õhufiltri kate (A).



Veatsing

Mootorit pole võimalik käivitada		
Kontrolli	Võimalik põhjus	Lahendus
Seiskamisnupp.	Seiskamisasend	Vii seiskamislüliti käivitusasendisse.
Käiviti pörklink/-lingid.	Käiviti pörklink/-lingid on blokeeritud või kulumised.	Reguleeri või asenda käiviti pörklink/-lingid.
		Puhasta käiviti pörklingi/-linkide ümbrus.
		Pöördru volitatud hooldustöökoja poole.
Kütusepaak.	Vale kütusetüüp.	Tühjenda kütusepaak ja täida õige kütusega.

Mootorit pole võimalik käivitada		
Kontrolli	Võimalik põhjus	Lahendus
Karburaator	Tühikäigu kiiruse reguleerimine	Reguleeri tühikäigukiirust tühikäigu reguleerimiskruviga.
Säde (sädet ei teki).	Süüteküünal on määrdunud või märg	Veendu, et süüteküünal on kuiv ja puhas.
	Süüteküünla elektroodivahe on vale.	Puhasta süüteküünal. Veendu, et elektroodide vahe oleks õige. Veendu, et süüteküünal on paigaldatud koos raadiohäirete kaitsega. Vaata õiget elektroodi vahet tehnilistest andmetest.
Süüteküünal.	Süüteküünal ei ole tugevalt kinni.	Keera süüteküünal kinni.
	Süüteküünla elektroodidel on soovimatut materjali.	Veendu, et kütusesegu oleks õige. Veendu, et õhufilter oleks puhas.

Mootor käivitub, kuid seejärel seiskub		
Kontrolli	Võimalik põhjus	Lahendus
Kütusepaak.	Vale kütusetüüp.	Tühjenda see ja kasuta õiget kütust.
Karburaator	Mootor ei tööta tühikäigul õigesti.	Pöördu hooldusesindusse.
Õhufilter	Ummistunud õhufilter.	Puhasta õhufilter.

Transportimine ja hoiustamine



HOIATUS: Süttimisohu vältimiseks veendu, et transportimise ega hoiustamise ajal poleks lekkeid ega aure. Veendu, et pole sädemete ega tule ohtu.

- Enne transportimist või pikaajalisele hoiule jätmist tühjenda kütusepaak. Vajuta kütusepumpa veendumaks, et kogu kütus on eemaldatud. Utiliseeri kütus spetsiaalses jäätmejaamas.
- Veendu enne pikaajalist hoiustamist, et toode on puhas, ja tee põhjalik hooldus.
- Eemalda süüteküünlad ja vala silindrisse umbes 15 ml kahetaktilise mootori õli. Pööra mootorit kolm pööret ja pange süüteküünal tagasi kohale.
- Kinnita toode transportimise ajaks turvaliselt sõiduki külge.
- Hoia toodet kuivas, jahedas ja puhtas kohas, kus on tagatud hea ventilatsioon. Hoia seadet lastele kättesaamatus kohas.

Tehnilised andmed

Tehnilised andmed

	Husqvarna 525BX
Mootor	
Silindrimaht, cm ³	25,4
Tühikäigu pöörete arv, p/min	3000
Katalüsaator	Jah
Süütesüsteem	
Süüteküüнал	NGK BPMR8Y
Elektroodide vahe, mm	0,6-0,7
Kütuse-/määrimissüsteem	
Kütusepaagi maht, l / cm ³	0,45 / 450
Mass	
Kaal ilma kütuseta, kg	4,4
Müratasemed²⁵	
Helitugevuse tase, dB(A)	104
Müravõimsustase, garanteeritud L _{WA} dB(A)	106
Müratase²⁶	
Ekvivalentne helirõhu tase kasutaja kõrvas, mõõdetud vastavalt EN15503 nõuetele, dBA	
Ümara otsaku korral:	91
Lameda otsaku korral:	92
Vibratsioonitase²⁷	
EN 15503 järgi mõõdetud käepidemete ekvivalentsed vibratsioonitasemed (a _{h_v,eq}), m/s ²	
Ümara otsaku korral:	1,2
Lameda otsaku korral:	2,0
Ventilaatori jõudlus	
Max õhukiirus ümara otsakuga, m/s:	70
Max õhukiirus lameda otsakuga, m/s:	86
Õhuvool ümara otsakuga, m ³ /min	13

²⁵ Müraemissioon ümbritsevasse keskkonda, mõõdetud helivõimsuse tasemena (L_{WA}) vastavalt EÜ direktiivile 2000/14/EÜ. Seadme antud müratase mõõdeti enim müra tekitava originaal standardotsakuga kasutamisel. Erinevus garanteeritud ja mõõdetud helivõimsustaseme vahel seisneb selles, et direktiivi 2000/14/EÜ alusel hõlmab garanteeritud helivõimsustase ka mõõtmistulemuste dispersiooni ja kõrvalekaldeid sama mudeli erinevate seadmete vahel.

²⁶ Müra rõhutase kohta toodud andmete statistiline dispersioon (standardhälve) on 1,0 dB(A).

²⁷ Vibratsioonitase kohta toodud andmete tüüpiline statistiline dispersioon (standardhälve) on 1,0 m/s².

	Husqvarna 525BX
Õhuvool lameda otsakuga, m ³ /min	10

EÜ vastavusdeklaratsioon

Husqvarna AB SE-561 82 Huskvarna, Rootsi
+46-36-146500, kinnitab, et puhurseade **Husqvarna 525BX** seerianumbritega alates 2016 ja edasi (aastaarv ja sellele järgnev seerianumber on selgelt märgitud mudeli andmesildile) vastavad järgmise NÕUKOGU DIREKTIIVI nõuetele:

- **2006/42/EÜ** (17. mai 2006), masinadirektiiv;
- **2014/30/EL** (26. veebruar 2014), elektromagnetilise ühilduvuse direktiiv;
- **2000/14/EÜ** (8. mai 2000), müradirektiiv;
Vastavushindamine vastavalt lisale V. Teavet müra kohta vt *Tehnilised andmed lk 124*.
- 8. juuni 2011. a., „elektri- ja elektroonikaseadmetes teatavate ohtlike ainete kasutamise piiramise direktiiv“ **2011/65/EL**.

Rakendatud on järgmisi standardeid:

EN ISO 12100-2/A1:2009, CISPR 12:2009, EN 15503:2009/A2:2015, EN 50581:2012

RISE SMP Svensk Maskinprovning AB, on teinud Husqvarna AB tellimusel vabatahtliku tüübihindamise. Serdi number on **SEC/14/2423 525BX**

Huskvarna, 2020-01-01



Per Gustafsson, arendusdirektor (Husqvarna AB volitatud esindaja ja tehnilise dokumentatsiooni vastutav juht)

Sisältö

Johdanto.....	127	Vianmääritys.....	135
Turvallisuus.....	128	Kuljetus ja säilytys.....	136
Asentaminen.....	130	Tekniset tiedot.....	138
Käyttö.....	131	EY-vaatimustenmukaisuusvakuutus.....	140
Huolto.....	133		

Johdanto

Tuotekuvaus

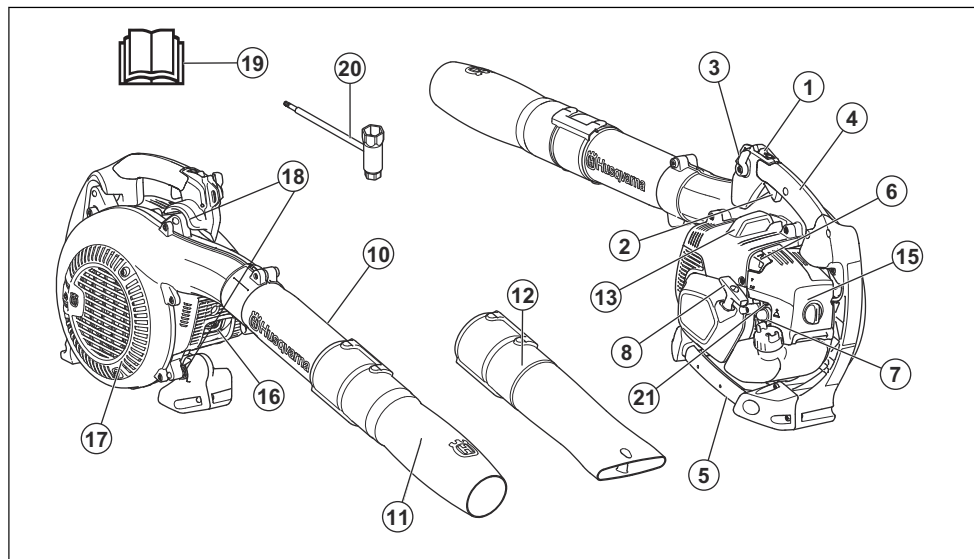
Tämä tuote on polttomoottoripuhallin.

Kehitämme jatkuvasti tuotteitamme ja pidätämme siksi itsellämme oikeuden muuttaa tuotteiden muotoa ja ulkonäköä ilman ennakoilmoitusta.

Käyttötarkoitus

Tuotteella puhalletaan lehtiä ja muuta ylimääräistä materiaalia esimerkiksi nurmikoilta, käytäviltä ja asfaltiteiltä.

Laitteen kuvaus



1. Käynnistys-/pysäytyskytkin
2. Turvalliipaisin
3. Kaasuvipu
4. Säättökahva
5. Kahva
6. Rikastimen ohjain
7. Polttoainepumppu
8. Käynnistysnarun kahva
9. Kiinnitysruuvi
10. Väliputki
11. Pyöreä suutin
12. Litteä suutin
13. Sytytystulppa
14. Polttoainesäiliön korkki
15. Ilmansuodatin
16. Äänenvaimennin
17. Ilmansuodatin
18. Tärinänvaimennusjärjestelmä
19. Käyttöohjekirja
20. Yhdistelmäavain
21. Joutokäyntinopeuden säätöruuvi

Laitteen symbolit



VAROITUS! Tämä laite voi olla vaarallinen ja aiheuttaa käyttäjälle tai sivullisille vakavia vahinkoja tai kuoleman. Ole varovainen ja käytä laitetta oikein.



Lue käyttöohje huolellisesti ja varmista, että ymmärrät sen sisällön, ennen kuin alat käyttää laitetta.



Käytä hyväksytyjä kuulonsuojaimia ja suojalaseja. Jos käyttöympäristö on pölyinen, käytä hengityksensuojainta.



Käytä hyväksytyjä suojakäsineitä.



Tämä tuote täyttää voimassa olevien EY-direktiivien vaatimukset.



Bensiinin ja kaksitahtiöljyn seos.



Polttoaineen ilmauspumppu.



Rikastin, avoin asento.



Rikastin, suljettu asento.



Melupäästöt ympäristöön eurooppalaisen direktiivin 2000/14/EY ja Uuden Etelä-Walesin lainsäädännön Protection of the

Environment Operations (Noise Control) Regulation 2017 -asetuksen mukaisesti. Melupäästöt ilmoitetaan koneen arvokilvessä ja luvussa Tekniset tiedot.



Varo sinkoutuvia esineitä. Sinkoutuvat esineet voivat aiheuttaa vakavia vammoja. Käytä henkilökohtaisia suojavarusteita.

Pidä vähintään 15 metrin turvaväliä muuhin ihmisiin tai eläimiin.

Sarjanumero on tyyppikilvessä. **yyyy** on valmistusvuosi ja **ww** valmistusviikko.

yyyywwxxxx

Huomautus: Muita laitteen symboleita/tarroja tarvitaan muilla markkina-alueilla ilmaisemaan sertifiointivaatimuksia.

Euro V -päästöt



VAROITUS: Moottorin muokkaaminen mitätöi tuotteen EU-tyyppihyväksynnän.

Tuotevastuu

Tuotevastuulain mukaisesti emme ole vastuussa tuotteen aiheuttamasta vaurioista, jos

- tuote on korjattu virheellisesti
- tuotteen korjaamiseen on käytetty muita kuin valmistajan omia tai sen hyväksymiä osia
- tuotteessa on muu kuin valmistajan oma tai sen hyväksymä lisävaruste
- tuotetta ei ole korjattu valtuutetussa huoltopisteessä tai hyväksytyllä asiantuntijalla.

Turvallisuus

Turvallisuusmääritelmät

Oheiset määritelmät kertovat huomiosanojen vakavuustason.



VAROITUS: Henkilövahinko.



HUOMAUTUS: Laitteavurio.

Huomautus: Nämä tiedot helpottavat laitteen käyttöä.

Yleiset turvaohjeet



VAROITUS: Lue seuraavat varoitusohjeet ennen laitteen käyttämistä.

- Älä tee laitteeseen muutoksia ilman valmistajan lupaa. Käytä aina alkuperäisiä lisävarusteita. Luvattomat muutokset ja/tai hyväksymättömät lisävarusteet voivat aiheuttaa käyttäjälle tai muille henkilöille vakavia vammoja tai kuoleman.
- Älä käytä vaurioitunutta laitetta. Suorita tässä käyttöohjeessa mainitut turvallisuustarkastukset ja ylläpitotyöt. Kaikki muut ylläpitotyöt on annettava hyväksytyyn huoltohenkilöstön tehtäväksi.
- Kaikki huolto- ja korjaustyöt on annettava hyväksytyyn huoltohenkilöstön tehtäväksi. Jos laitteessa on viallinen osa, ota yhteys huoltoilikkeeseen.

Turvallisuusohjeet käyttöä varten



VAROITUS: Lue seuraavat varoitusohjeet ennen laitteen käyttämistä.

- Tämä laite voi olla vaarallinen ja aiheuttaa käyttäjälle tai sivullisille vakavia vahinkoja tai kuoleman. Ole varovainen ja käytä laitetta oikein.
- Tarkasta laite ennen käyttöä. Katso kohta *Huolto sivulla 133*.
- Älä käytä laitetta ollessasi väsynyt tai sairas tai jos olet alkoholin tai muiden huumausainien vaikutuksen alaisena, jolloin näkö-, arviointi- ja koordinaatiokykyisi voivat heiketä.
- Asenna kaikki suojukset ennen käyttöä. Estä sähköiskun vaara varmistamalla, että syytystulpan suojus ja syytyskaapeli eivät ole vaurioituneet.
- Älä koskaan koske syytystulppaan tai -kaapeliin moottorin käydessä.
- Pidä vähintään 15 metrin turvaetäisyys muihin ihmisiin tai eläimiin. Pysäytä laite, jos alle 15 metrin etäisyydelle tulee muita henkilöitä, lapsia tai eläimiä. Osoita laite pois päin muista henkilöistä, eläimistä, avoimista ikkunoista tai muista esineistä.
- Älä anna lasten käyttää konetta. Varmista, että kaikki laitteen käyttäjät lukevat ja ymmärtävät tämän käyttöohjeen sisällön.
- Pidä kädet ja muut esineet poissa puhaltimen kotelosta käytön aikana. Pyörivät osat voivat aiheuttaa vakavia vammoja.
- Älä käytä laitetta, jos ilmanotto-äleikköä ei ole asennettu. Varmista aina ennen käyttöä, että ilmanotto-äleikkö on asennettu ja ehjä.
- Vapauta hätätilanteessa valjaiden lantiovyö ja rintavyö ja anna laitteen pudota.
- Noudata kansallisia säädöksiä ja direktiivejä.
- Pidä kaikki kehonosat etäällä kuumista pinnoista.
- Liian voimakas tärinä voi vaikuttaa haitallisesti verenkiertoon tai hermojärjestelmään. Ota yhteys

lääkäriin, jos sinulla on oireita, kuten tunnottomuutta, tuntoaistien heikkenemistä, kihelmöimistä, pistelyä, kipua, voimien ehtymistä tai ihonvärin muutoksia sormissa, käsissä tai ranteissa.

- Varo sinkoutuvia esineitä. Sinkoutuvat esineet voivat aiheuttaa vakavia vammoja.
- Älä käytä laitetta epäsuotuisissa sääoloissa, kuten sumussa, saenessa, kovassa tuulessa tai liian kylmissä olosuhteissa. Työskentely huonossa säässä voi aiheuttaa väsymistä ja vaarallisia tilanteita.
- Varmista, että pystyt liikkumaan vapaasti ja työskentelemään tukevassa asennossa. Tarkista työalue mahdollisten esteiden, kuten kivien, varalta. Ole varovainen, kun käytät laitetta kaltevalta tasolla.
- Älä aseta laitetta maahan moottorin käydessä.
- Älä käytä laitetta korkeilla tasoilla kuten tikkailla.
- Varmista, että olet aina kuuloyhteyden etäisyydellä sen varalta, että tapahtuu onnettomuus.
- Varmista, että pakokaasun poistoaukko ei ole tukossa. Pidä esteet vähintään 50 cm:n etäisyydellä pakokaasun poistoaukosta, jotta voit estää laitteen vaurioitumisen.
- Älä käynnistä laitetta sisätiloissa, lähellä herkästi syttyvää materiaalia tai tilassa, jossa ei ole riittävästi ilmvirtausta. Moottorin pakokaasut sisältävät hiilimonoksidia, joka voi aiheuttaa häkämyrkytyksen. Moottorin pakokaasut ovat kuumia ja voivat sisältää kipinöitä, jotka voivat aiheuttaa tulipalon.

Henkilökohtainen suojavarustus



VAROITUS: Lue seuraavat varoitusohjeet ennen koneen käyttämistä.

- Käytä hyväksytyjä henkilökohtaisia suojavarusteita, kun käytät konetta. Henkilökohtaiset suojavarusteet eivät poista tapaturmien vaaraa täysin, mutta ne voivat lieventää vammoja. Lisätietoja saat jälleenmyyjältä.
- Käytä hyväksytyjä kuulonsuojaimia. Pitkäaikainen altistuminen melulle saattaa aiheuttaa pysyviä kuulovammoja.
- Käytä hyväksytyjä silmäsuojaimia. Visiiriä käytettäessä on käytettävä myös hyväksytyjä suojalaseja. Hyväksytyillä suojalaseilla tarkoitetaan laseja, jotka täyttävät standardin ANSI Z87.1 (Yhdysvallat) tai EN 166 (EU-maat) vaatimukset.
- Käytä suojakäsineitä käytön ja ylläpitotöiden aikana.
- Käytä turvajalkineita, joissa on luistamaton pohja.
- Käytä tukevasta kankaasta valmistettuja vaatteita, jotka peittävät kehon. Älä käytä koruja tai avokenkiä. Voit vähentää loukkaantumisriskiä käyttämällä vaatteita, jotka ovat vartalonmyötäisiä, mutta jotka eivät rajoita liikkumista. Sido hiukset olkapäiden yläpuolelle, jotta ne eivät joudu pyörivien osien väliin tai takerru oksiin.
- Käytä hengityssuojainta, jos on olemassa pölyvaara.

- Pidä ensiaputarvikkeet lähettyvillä.

Tuotteen turvalaitteet



VAROITUS: Lue seuraavat varoitusohjeet ennen koneen käyttämistä.

- Älä käytä konetta, jos jokin sen turvalaitteista on rikki.
- Tarkasta turvalaitteet säännöllisesti. Katso *Huolto sivulla 133*.
- Jos turvalaitteissa on vikoja, ota yhteyttä Husqvarna-huoltoilikkeeseen.

Äänenvaimentimen tarkistaminen



VAROITUS: Älä käytä laitetta, jos äänenvaimennin on viollinen.



VAROITUS: Äänenvaimennin kuumentuu huomattavasti käytön aikana ja sen jälkeen, myös joutokäyntinopeudella. Käytä suojakäsineitä palovammojen välttämiseksi.



VAROITUS: Äänenvaimentimessa on kemikaaleja, jotka saattavat olla karsinogeenisia. Älä koske vaurioituneeseen äänenvaimentimeen.

- Tarkista äänenvaimennin silmämääräisesti säännöllisesti. Äänenvaimennin pitää äänitason mahdollisimman alhaisena ja ohjaa pakokaasut käyttäjästä pois päin. Katso kohta *Äänenvaimentimen kunnossapito sivulla 134*.

Tärinänvaimennusjärjestelmän tarkistaminen

1. Varmista, ettei tärinänvaimennuselementeissä ole halkeamia tai vääntymiä.
2. Varmista, että tärinänvaimennuselementit on kiinnitetty oikein moottoriyksikköön ja kahvaosaan.

Katso laitteesi tärinänvaimennusjärjestelmän sijainti kohdasta *Laitteen kuvaus sivulla 127*.

Käynnistys-/pysäytyskytkimen tarkistaminen

1. Moottori sammutetaan käynnistys-/pysäytyskytkimellä.

2. Varmista, että moottori sammuu kokonaan.

Tarkista laitteen käynnistys-/pysäytyskytkimen paikka kohdasta *Laitteen kuvaus sivulla 127*.

Polttoaineturvallisuus



VAROITUS: Lue seuraavat varoitusohjeet ennen koneen käyttämistä.

- Älä sekoita tai lisää polttoainetta sisätiloissa tai lämmönlähteen läheisyydessä.
- Älä käynnistä laitetta, jos öljyä tai polttoainetta on läikkyntä laitteen päälle tai yllä.
- Älä käynnistä laitetta, jos moottorista vuotaa polttoainetta. Tarkista moottori säännöllisesti polttoainevuotojen varalta.
- Käsittele polttoainetta aina varoen. Polttoaine on syttyvää ja kaasut ovat räjähdysherkkiä, mikä voi aiheuttaa tapaturman tai kuoleman.
- Älä hengitä polttoainehöyryjä, sillä ne voivat aiheuttaa vamman. Varmista, että ilmanvirtaus on riittävä.
- Älä tupakoi polttoaineen tai moottorin lähistöllä.
- Älä sijoita laitetta tai polttoainekannua lähelle lämpimiä esineitä, avotulta, kipinöitä tai sytytysliekkejä.
- Käytä polttoainetta säilytyksessä ja kuljettamisessa aina hyväksytyjä polttoainesäiliöitä.

Turvaohjeet huoltoa varten



VAROITUS: Lue seuraavat varoitusohjeet ennen laitteen käyttämistä.

- Pysäytä moottori, irrota sytytysluppa ja anna moottorin jäähtyä ennen ylläpito- ja asennustoimenpiteitä.
- Tukkeutunut kipinänsammutusverkko saa moottorin ylikuumentumaan, mistä aiheutuu moottorivaurioita.
- Jos kipinänsammutusverkko tukkeutuu usein, se voi olla merkki katalyysaattorin toiminnan heikentymisestä. Ota yhteyttä huoltoilikkeeseen äänenvaimentimen tarkistusta varten.

Asentaminen

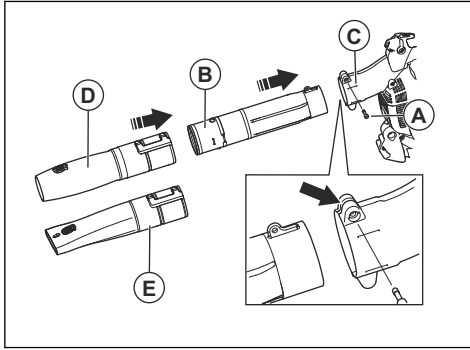
Johdanto



VAROITUS: Lue ja sisäistä turvallisuutta käsittelevä luku ennen laitteen asentamista.

Puhallusputken kokoaminen

1. Avaa kiinnitysruuvi (A).



2. Asenna väliputki (B) puhallusputkeen (C).
3. Asenna ja kiristä kiinnitysruuvi (A).
4. Asenna pyöreä suutin (D) tai litteä suutin (E) väliputkeen.

Käyttö

Johdanto



VAROITUS: Lue ja sisäistä turvallisuutta käsittelevä luku ennen laitteen käyttöä.

Polttoaine

Tässä laitteessa on kaksitahtimoottori.



HUOMAUTUS: Vääräntyyppinen polttoaine voi vaurioittaa moottoria. Käytä bensiinin ja kaksitahtiöljyn seosta.

Valmis polttoainesekoitus

- Käytä valmiiksi sekoitettua Husqvarna-alkylaattibensiiniä, sillä se takaa parhaan suorituskyvyn ja pidentää moottorin käyttöikää. Tällainen polttoaine sisältää tavallista polttoainetta vähemmän haitallisia kemikaaleja, mikä vähentää haitallisia pakokaasuja. Tällaisesta polttoaineesta jää vähemmän karstaa polton jälkeen, jolloin moottorin osat pysyvät puhtaampina.

Polttoaineen sekoittaminen

Bensiini

- Käytä korkealaatuista lyijytöntä bensiiniä, jossa on enintään 10 % etanolia-



HUOMAUTUS: Älä käytä bensiiniä, jonka oktaaniluku on pienempi kuin 90 RON / 87 AKI. Jos oktaaniluku on pienempi, moottori voi alkaa nakuttaa, mikä vaurioittaa moottoria.

Kaksitahtiöljy

- Käytä Husqvarna-kaksitahtiöljyä, sillä se takaa parhaat tulokset ja suorituskyvyn.
- Jos Husqvarna-kaksitahtiöljyä ei ole saatavilla, voidaan käyttää jotakin muuta ilmajäähdytteisille moottoreille tarkoitettua korkealaatuista kaksitahtiöljyä. Kysy huoltoilikkeestä ohjeita oikean öljyn valintaan.



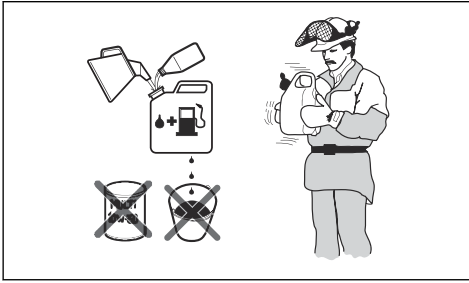
HUOMAUTUS: Älä käytä vesijäähdytteisille ulkolaitamoottoreille tarkoitettua kaksitahtiöljyä. Älä käytä nelitahtimoottoreille tarkoitettua öljyä.

Bensiinin ja kaksitahtiöljyn sekoitus

Bensiini, litraa	Kaksitahtiöljy, litraa
	2 % (50:1)
5	0,10
10	0,20
15	0,30
20	0,40



HUOMAUTUS: Kun polttoainetta sekoitetaan pieniä määriä, pienikin mittausvirhe voi vaikuttaa sekoitussuhteeseen suuresti. Mittaa öljymäärä huolellisesti ja varmista, että seoksen suhde on oikea.



1. Lisää puhtaaseen polttoainesäiliöön puolet bensiiniin kokonaismäärästä.
2. Lisää koko öljymäärä.
3. Ravista polttoaineseosta.
4. Lisää loput bensiinistä säiliöön.
5. Ravista polttoaineseosta huolellisesti.



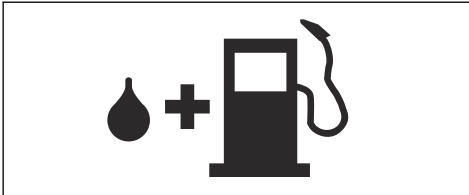
HUOMAUTUS: Sekoita korkeintaan yhden kuukauden polttoaineet kerrallaan.

Polttoainesäiliön täyttö



VAROITUS: Noudata seuraavia turvallisuustoimenpiteitä.

1. Sammuta moottori ja anna sen jäähtyä.
2. Pyyhi polttoainesäiliön korkin ympäristö puhtaaksi.



3. Ravista kannua ja varmista, että polttoaine on sekoittunut kokonaan.
4. Vapauta polttoainesäiliöstä painetta avaamalla polttoainesäiliön korkki hitaasti.
5. Täytä polttoainesäiliö.



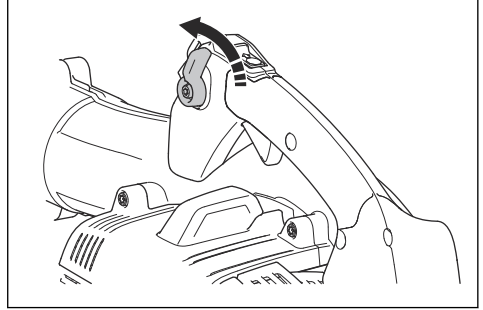
HUOMAUTUS: Varmista, että polttoainesäiliössä ei ole liikaa polttoainetta. Polttoaine laajenee lämmetessään.

6. Kiristä polttoainesäiliön korkki tiukasti.
7. Puhdista polttoaineroiskeet laitteen päältä ja ympäriltä.
8. Siirrä laite vähintään 3 metrin päähän polttoaineen lisäämis- ja säilytyspaikalta ennen käynnistämistä.

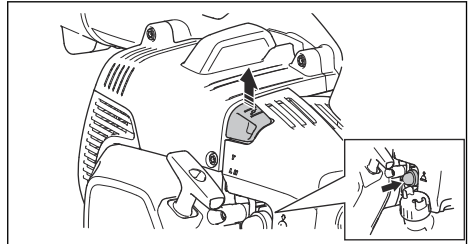
Huomautus: Laitteen polttoainesäiliön paikka kerrotaan kohdassa *Johdanto sivulla 127.*

Laitteen käynnistäminen

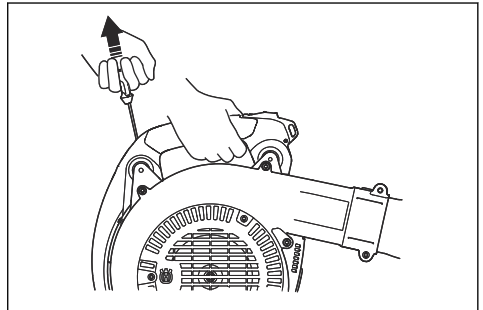
1. Käännä kaasuliipaisin joutokäyntiasentoon.



2. Jos moottori käynnistetään kylmänä, siirrä rikastimen kytkin suljettuun asentoon.



3. Paina polttoaine ilmauspumpua, kunnes se alkaa täyttyä polttoaineella. Polttoaine ilmauspumpua ei tarvitse täyttää kokonaan.
4. Aseta laite tasaiselle alustalle maahan.
5. Pidä laitteesta kiinni oikealla kädellä.



HUOMAUTUS: Älä käytä jalkoja laitteen kannatteluun.

6. Vedä käynnistysnarun kahvaa hitaasti, kunnes tunnet vastuksen.

7. Vedä käynnistysnarun kahvaa nopeasti vasemmalla kädellä. Vedä käynnistysnarua niin monta kertaa, että moottori käynnistyy.

Huomautus: Älä vedä käynnistysnarun kahvaa loppuun asti, äläkä päästä irti käynnistysnarun kahvasta.

8. Jos moottori käynnistetään kylmänä, siirrä rikastimen kytkin rikastusasentoon.
9. Jos moottori käynnistetään kylmänä, anna sen käydä 2–3 minuuttia, jotta se lämpenee ennen käyttöä.



VAROITUS: Laite alkaa päästää ilmaa, kun moottori käynnistetään ja laite on asetettu joutokäyntinopeudelle. Älä päästä sivullisia laitteen tai puhallusputken lähelle.

Laitteen käyttö

- Käytä laitetta tavallisten työtuntien puitteissa. Noudata paikallisia sääädöksiä.
- Vähennä laitteen osien määrää ja valitse työtehtävään sopiva nopeus. Käytä kaasua alimmassa mahdollisessa asennossa, jotta voit estää tarpeettoman melun ja pölyn muodostumisen.
- Pidä puhaltimen suutin lähellä maata.

Huomautus: Husqvarna suosittelee käyttämään puhaltimen suuttimen jatketta pisimmillään.

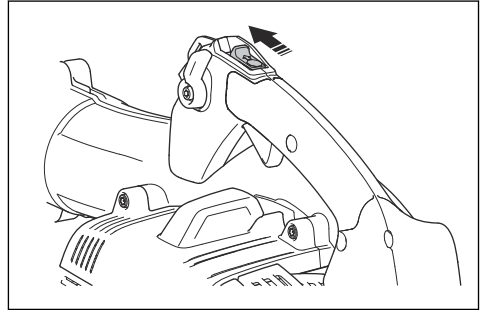
- Huomioi tuulen suunta ja käytä laitetta tuulen suuntaan.
- Poista ylimääräinen materiaali maasta sopivilla puutarhatyökaluilla.
- Jos alue on pölyinen, kastele se suihkuttamalla. Näin työaika lyhenee.
- Aseta laite käytön jälkeen säilytykseen pystyasentoon.

Moottorin sammuttaminen



HUOMAUTUS: Älä pysäytä laitetta, kun se käy täydellä käyntinopeudella.

- Aseta käynnistys-/pysäytyskytkin pysäytysasentoon.



Huolto

Johdanto



VAROITUS: Lue ja sisäistä turvallisuutta käsittelevä luku ennen laitteen huoltamista.

Huoltokaavio

Huolto	Päivittäin	Viikoittain	Kuukausittain
Puhdista ulkopinnat.	X		
Varmista, että kaasuliipaisin toimii oikein.	X		
Varmista, että käynnistys-/pysäytyskytkin toimii oikein. Katso <i>Käynnistys-/pysäytyskytkimen tarkistaminen sivulla 130.</i>	X		
Tarkista moottori, polttoainesäiliö ja polttoaineletkut vuotojen varalta. Tarkista polttoaineensuodatin likaantumisen varalta. Vaihda polttoaineensuodatin tarvittaessa.	X		
Puhdista ilmansuodatin. Vaihda ilmansuodatin tarvittaessa.	X		
Kiristä mutterit ja ruuvit.	X		

Huolto	Päivittäin	Viikoittain	Kuukausittain
Tarkista ilmanottoaukko ja varmista, että se ei ole tukossa.	X		
Tarkista käynnistin ja käynnistysnaru vaurioiden varalta.		X	
Tarkista tärinänvaimennuselementit vaurioiden, halkeamien ja vääntymien varalta. Tarkista, että tärinänvaimennuselementit on asennettu oikein.		X	
Tarkista sytytystulppa. Katso <i>Sytytystulpan tarkistus sivulla 134</i> .		X	
Puhdista jäähdytysjärjestelmä.		X	
Puhdista kaasuttimen ulkopinta ja sen ympäristö.		X	
Puhdista polttoainesäiliö.			X
Tarkista kaikki kaapelit ja liitännät.			X
Tarkista ja puhdista äänenvaimentimen kipinänsammutusverkko (laitteet, joissa ei ole katalysaattoria).		X	
Tarkista ja puhdista äänenvaimentimen kipinänsammutusverkko (laitteet, joissa on katalysaattori).			X
Vaihda sytytystulppa. Varmista, että häiriösuodatin on paikallaan.			X

Joutokäyntinopeuden säätö

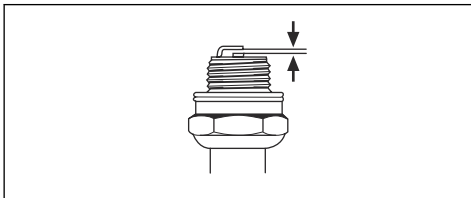
1. Varmista, että ilmansuodatin on puhdas ja ilmansuodattimen kansi on paikallaan.
2. Säädä joutokäyntinopeus joutokäynnin säätöruuvilla. Tarkista laitteen joutokäynnin säätöruuvien paikka kohdasta *Laitteen kuvaus sivulla 127*.

Sytytystulpan tarkistus



HUOMAUTUS: Käytä suositeltua sytytystulppaa. Katso *Sytytystulpan tarkistus sivulla 134*. Väärä sytytystulppa voi aiheuttaa laitevaurion.

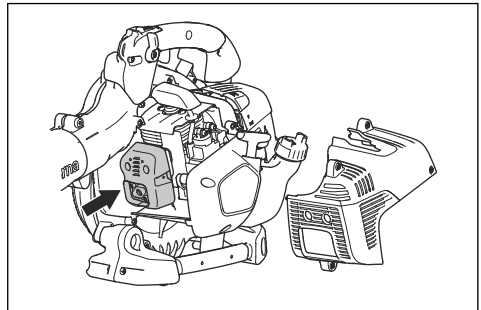
1. Sammuta moottori ja anna laitteen jäähtyä.
2. Puhdista sytytystulppa, jos se on likainen.
3. Tarkista, että kärkiväli on oikea. Katso kohta *Tekniset tiedot sivulla 138*.



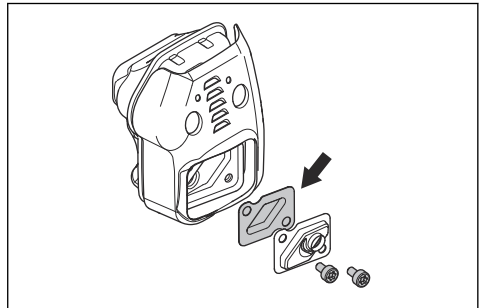
4. Vaihda sytytystulppa kuukausittain tai tarpeen mukaan useammin.

Äänenvaimentimen kunnossapito

1. Sammuta moottori ja anna äänenvaimentimen jäähtyä. Käytä suojakäsineitä.



2. Irrota äänenvaimentimen suojus.
3. Tee silmämääräinen tarkastus. Vaihda kipinänsammutusverkko, jos se on vaurioitunut.



Jäähdytysjärjestelmän tarkistus ja puhdistus

Jäähdytysjärjestelmään kuuluvat sylinterin jäähdytysrivat ja ilmanottosäleikkö.

1. Pysäytä moottori.
2. Varmista, ettei jäähdytysjärjestelmä ole likainen tai tukossa. Puhdista ilmanottosäleikkö ja jäähdytysrivat tarvittaessa.



HUOMAUTUS: Likainen tai tukkeutunut jäähdytysjärjestelmä voi nostaa moottorin lämpötilaa, mikä voi vaurioittaa laitetta. Tukkeutunut ilmanottosäleikkö pienentää puhallustehoa.

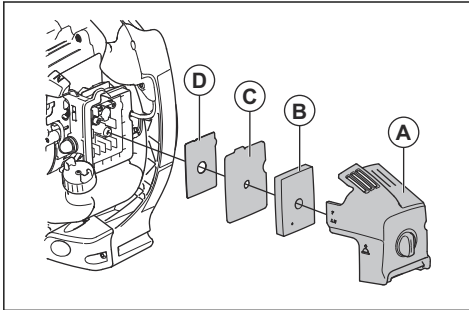
3. Tarkista jäähdytysjärjestelmä vaurioiden varalta. Varmista, että osat on kiinnitetty kunnolla laitteeseen.

Ilmansuodattimen puhdistaminen



HUOMAUTUS: Älä käytä konetta ilman ilmansuodatinta tai jos ilmansuodatin on vaurioitunut. Ilmassa leijuva pöly voi vaurioittaa moottoria.

1. Siirrä rikastimen kytkin suljettuun asentoon.
2. Irrota ilmansuodattimen kansi (A).



Vianmääritys

Moottori ei käynnisty		
Tarkistus	Mahdollinen syy	Ratkaisu
Stop-painike.	Pysäytysasento	Aseta pysäytin käynnistysasentoon.

3. Irrota ilmansuodatin (B) suodattimen kehuksestä.
4. Pese ilmansuodatin (B) lämpimällä vedellä ja saippualla.

Huomautus: Pitkään käytössä ollutta ilmansuodatinta ei voi koskaan puhdistaa täysin puhtaaksi. Vaihda ilmansuodatin säännöllisin väliajoin, ja vaihda viallinen ilmansuodatin aina uuteen.

5. Puhdista ilmansuodattimen kannen (A) sisäpinta harjalla.
6. Irrota ja vaihda huopasuodatin (C), jos se on likainen.
7. Asenna verkko (D), huopasuodatin (C) ja ilmansuodatin (B).
8. Asenna ilmansuodattimen kansi (A) laitteeseen.

Moottori ei käynnisty		
Tarkistus	Mahdollinen syy	Ratkaisu
Käynnistimen kynnet.	Tukkeutuneet tai kuluneet käynnistimen kynnet.	Säädä tai vaihda käynnistimen kynnet.
		Puhdista käynnistimen kynsien ympärillä oleva alue.
		Ota yhteyttä valtuutettuun huoltoliikkeeseen.
Polttoainesäiliö	Väärä polttoainetyyppi.	Tyhjennä polttoainesäiliö ja täytä oikealla polttoaineella.
Kaasutin.	Joutokäynnin säätö.	Säädä joutokäynti joutokäynnin säätöruuvilla.
Sytytys (ei kipinää).	Sytytystulppa liikainen tai märkä.	Varmista, että sytytystulppa on kuiva ja puhdas.
	Sytytystulpan kärkiväli on väärä.	Puhdista sytytystulppa. Tarkista, että kärkiväli on oikea. Varmista, että sytytystulppa on varustettu häiriösuodattimella. Tarkasta oikea kärkiväli teknisistä tiedoista.
Sytytystulppa	Sytytystulppa on löysä.	Kiristä sytytystulppa.
	Sytytystulppien kärjissä on ylimääräistä materiaalia.	Varmista, että polttoaineseos on oikea. Varmista, että ilmansuodatin on puhdas.

Moottorin käynnistyy mutta sammuu uudelleen		
Tarkistus	Mahdollinen syy	Ratkaisu
Polttoainesäiliö	Väärä polttoainetyyppi.	Tyhjennä se ja käytä oikeanlaista polttoainetta.
Kaasutin.	Moottori ei toimi oikein joutokäyntinopeudella.	Ota yhteyttä huoltoliikkeeseen.
Ilmansuodatin	Ilmansuodatin tukossa.	Puhdista ilmansuodatin.

Kuljetus ja säilytys



VAROITUS: Vältä tulipalon vaara varmistamalla, että laitteen kuljetuksen tai varastoinnin aikana ei ilmene vuotoja tai höyryjä. Varmista, että kipinöintiä vaaraa tai tulipalon vaaraa ei ole.

- Tyhjennä polttoainesäiliö ennen kuljetusta tai pitkäaikaista säilytystä. Varmista, että polttoaine on poistunut kokonaan laitteesta, painamalla polttoaineen ilmauspumppua. Hävitä polttoaine viemällä se asianmukaiseen keräyspisteeseen.
- Varmista, että laite on puhdistettu ja huollettu täysin ennen pitkäaikaista säilytystä.

- Irrota sytytystulppa ja kaada noin 15 ml kaksitahtiöljyä sylinteriin. Käännä laitetta 3 kertaa ja asenna sytytystulppa uudelleen.
- Kiinnitä laite tukevasti ajoneuvoon kuljetuksen ajaksi.
- Säilytä laitetta kuivassa, viileässä ja siistissä paikassa, jossa on hyvä ilmavirtaus. Pidä kone poissa lasten ulottuvilta.

Tekniset tiedot

Tekniset tiedot

	Husqvarna 525BX
Mootori	
Sylinteritilavuus, cm ³	25,4
Joutokäyntinopeus, r/min	3 000
Katalysaattori	Kyllä
Sytytysjärjestelmä	
Sytytystulppa	NGK BPMR8Y
Kärkiväli, mm	0,6-0,7
Polttoaine-/voitelujärjestelmä	
Polttoainesäiliön tilavuus, l / cm ³	0,45 / 450
Paino	
Paino ilman polttoainetta, kg	4,4
Melupäästöt²⁸	
Äänen tehotaso, mitattu dB(A)	104
Äänen tehotaso, taattu L _{WA} dB(A)	106
Äänitasot²⁹	
Vastaava äänenpainetaso käyttäjän korvan tasalla mitattuna standardin EN 15503 mukaan, dB(A):	
Käytettäessä pyöreää suutinta	91
Käytettäessä litteää suutinta	92
Tärinätasot³⁰	
Kahvojen vastaavat tärinätasot (a _{h_v,eq}) mitattuna standardin EN 15503 mukaan, m/s ²	
Käytettäessä pyöreää suutinta	1,2
Käytettäessä litteää suutinta	2,0
Puhallusteho	
Ilman suurin nopeus, pyöreä suutin, m/s	70
Ilman suurin nopeus, litteä suutin, m/s	86
Ilmavirtaus, pyöreä suutin, m ³ /min	13

²⁸ Melupäästö ympäristöön äänentehona (L_{WA}) EY-direktiivin 2000/14/EY mukaisesti mitattuna. Laitteen ilmoitettu äänentehotaso on mitattu käyttäen alkuperäistä puhaltimen suutinta, joka antaa suurimman äänentehotason. Taatun ja mitatun äänitehon erona on se, että taattu ääniteho sisältää myös mitatun tuloksen hajonnan ja vaihtelun saman mallin eri laitteiden välillä direktiivin 2000/14/EY mukaisesti.

²⁹ Äänenpainetasoista ilmoitettujen tietojen tyypillinen tilastollinen hajonta (keskihajonta) on 1,0 dB(A).

³⁰ Tärinätasolle ilmoitetuissa tiedoissa tyypillinen tilastollinen hajonta (vakiopoikkeama) on 1,0 m/s².

	Husqarna 525BX
Ilmavirtaus, litteä suutin, m ³ /min	10

EY-vaatimustenmukaisuusvakuutus

Husqvarna AB, SE-561 82 Huskvarna, Ruotsi, puh.
+46-36-146500, vakuuttaa täten, että puhallin

Husqvarna 525BX alkaen vuoden 2016 sarjanumerosta
(vuosi on ilmoitettu arvokilvessä ennen sarjanumeroa)
on valmistettu noudattaen seuraavaa NEUVOSTON
DIREKTIIVIÄ:

- 17. toukokuuta 2006 annettu konedirektiivi
2006/42/EY.
- 26. helmikuuta 2014 annettu direktiivi **2014/30/EY**
sähkömagneettisesta yhteensopivuudesta.
- 8. toukokuuta 2000 annettu direktiivi **2000/14/EY**,
joka koskee melupäästöjä ympäristöön.
Yhteensopivuus on määritelty Liitteen V mukaan.
Melupäästöjä koskevat tiedot löytyvät kohdasta
Tekniset tiedot sivulla 138.
- 8. kesäkuuta 2011 annettu direktiivi tiettyjen
vaarallisten aineiden käytön rajoittamisesta sähkö- ja
elektroniikkalaitteissa, **2011/65/EU**.

Seuraavia standardeja on sovellettu:

**EN ISO 12100-2/A1:2009, CISPR 12:2009, EN
15503:2009/A2:2015, EN 50581:2012**

RISE SMP Svensk Maskinprovning AB, on suorittanut
Husqvarna AB:n puolesta vapaaehtoisen
tyyppitarkastuksen. Todistus on numeroitu: **SEC/
14/2423** - 525BX

Huskvarna, 2020-01-01



Per Gustafsson, kehityspäällikkö (Husqvarna AB:n
valtuutettu ja teknisestä dokumentaatiosta vastaava
edustaja)

Sommaire

Introduction.....	141	Dépannage.....	150
Sécurité.....	142	Transport et stockage.....	151
Montage.....	145	Caractéristiques techniques.....	152
Utilisation.....	145	Déclaration de conformité CE.....	154
Entretien.....	148		

Introduction

Description du produit

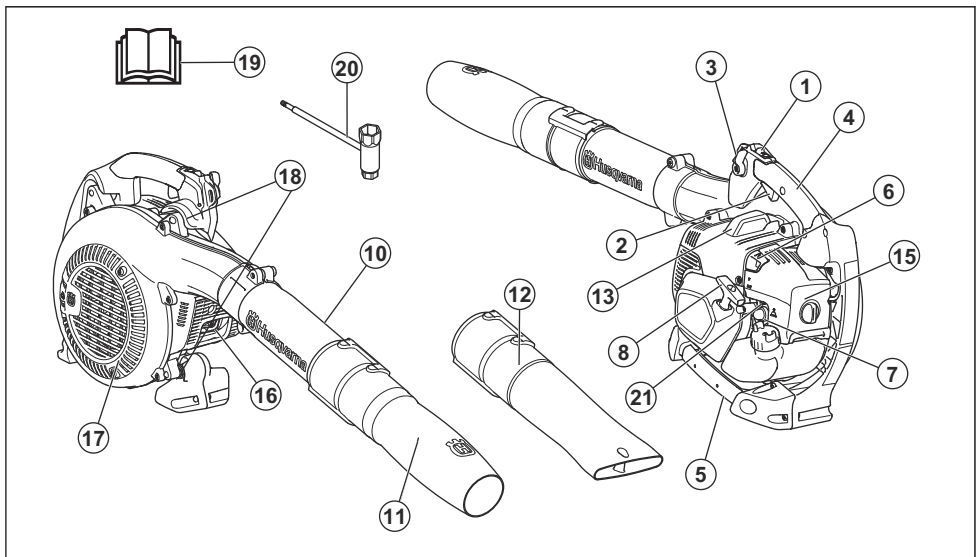
Ce produit est un souffleur équipé d'un moteur thermique.

Nous travaillons continuellement au développement de ses produits et nous réservons le droit d'en modifier, entre autres, la conception et l'aspect sans préavis.

Utilisation prévue

Utilisez le produit pour souffler les feuilles et autres matériaux indésirables sur des surfaces telles que les pelouses, les allées et les routes goudronnées.

Aperçu du produit



- | | |
|----------------------------------|------------------------------------|
| 1. Interrupteur marche/arrêt | 11. Buse ronde |
| 2. Gâchette d'accélération | 12. Buse plate |
| 3. Commande d'accélération | 13. Bougie |
| 4. Poignée de commande | 14. Bouchon du réservoir d'essence |
| 5. Poignée | 15. Filtre à air |
| 6. Starter | 16. Silencieux |
| 7. Pompe à carburant | 17. Grille d'entrée d'air |
| 8. Poignée du câble du démarreur | 18. Système anti-vibrations |
| 9. Vis de serrage | 19. Manuel de l'opérateur |
| 10. Tube intermédiaire | 20. Clé mixte |

Symboles concernant le produit



AVERTISSEMENT ! ce produit peut être dangereux et causer des blessures graves, voire mortelles, à l'opérateur ou à d'autres personnes. Soyez prudent et utilisez le produit correctement.



Lisez attentivement le manuel d'utilisation et assurez-vous de bien comprendre les instructions avant utilisation.



Utilisez des protège-oreilles et des protections pour les yeux homologués. Si l'environnement est poussiéreux, utilisez un masque respiratoire.



Utilisez des gants de protection homologués.



Ce produit est conforme aux directives CE en vigueur.



Mélange d'essence et d'huile deux temps.



Poire de la pompe à carburant.



Starter, position ouverte.



Starter, position fermée.



Émissions sonores dans l'environnement selon la directive européenne 2000/14/CE et la législation de la Nouvelle-Galles du Sud « Protection of the Environment Operations (Noise Control) Regulation 2017 ». L'étiquette de la machine et le chapitre



Attention aux objets projetés. Les objets projetés peuvent engendrer de graves blessures. Utilisez un équipement de protection personnelle.



Maintenez une distance de sécurité d'au moins 15 m par rapport aux personnes ou aux animaux.

yyyywwxxxx

La plaque signalétique indique le numéro de série. **yyyy** est l'année de production et **ww** est la semaine de production.

Remarque: Les autres symboles/autocollants présents sur le produit concernent des exigences de certification spécifiques à d'autres zones commerciales.

Émissions Euro V



AVERTISSEMENT: toute altération du moteur a pour effet d'annuler l'homologation de type UE de ce produit.

Responsabilité

Conformément à la loi sur la responsabilité du fait des produits, nous déclinons toute responsabilité pour tout dommage causé par notre produit si :

- le produit n'est pas correctement réparé ;
- le produit est réparé avec des pièces qui ne proviennent pas du fabricant ou qui ne sont pas homologuées par le fabricant ;
- le produit est équipé d'un accessoire qui ne provient pas du fabricant ou qui n'est pas homologué par le fabricant ;
- le produit n'est pas réparé par un centre d'entretien agréé ou par une autorité homologuée.

Sécurité

Définitions de sécurité

Les définitions ci-dessous indiquent le niveau de gravité pour chaque mention d'avertissement.



AVERTISSEMENT: Blessures aux personnes.



REMARQUE: Dommages au produit.

Remarque: Cette information facilite l'utilisation du produit.

Instructions générales de sécurité



AVERTISSEMENT: Lisez les instructions qui suivent avant d'utiliser le produit.

- Ne modifiez pas le produit sans l'approbation du fabricant et utilisez toujours des accessoires d'origine. Toute modification et/ou tout accessoire non approuvé peuvent entraîner des blessures graves, voire mortelles, pour l'opérateur ou d'autres personnes.
- N'utilisez pas de produit endommagé. Effectuez les contrôles de sécurité et l'entretien indiqués dans ce manuel d'utilisation. Toutes les autres tâches d'entretien doivent être effectuées par du personnel d'entretien agréé.
- Toutes les opérations d'entretien et de réparation doivent être effectuées par du personnel d'entretien agréé. Si une partie du produit est défectueuse, veuillez contacter votre atelier d'entretien.

Instructions de sécurité pour le fonctionnement



AVERTISSEMENT: Lisez les instructions qui suivent avant d'utiliser le produit.

- ce produit peut être dangereux et causer des blessures graves, voire mortelles, à l'opérateur ou à d'autres personnes. Soyez prudent et utilisez le produit correctement.
- Inspectez le produit avant toute utilisation. Reportez-vous à la section *Entretien à la page 148*.
- N'utilisez pas l'appareil si vous êtes fatigué ou malade, ou si vous êtes sous l'emprise de l'alcool ou de drogues qui peuvent diminuer votre vision, votre jugement ou votre coordination.
- Installez tous les couvercles et toutes les protections avant utilisation. Pour éviter tout risque d'électrocution, assurez-vous que le capuchon de bougie et le câble d'allumage ne sont pas endommagés.
- Ne touchez jamais la bougie ou le câble d'allumage lorsque le moteur tourne.
- Maintenez une distance de sécurité d'au moins 15 m par rapport aux personnes ou aux animaux. Si des personnes, des enfants ou des animaux s'approchent à moins de 15 m, arrêtez le produit. Ne

dirigez pas le produit vers des personnes, des animaux, des fenêtres ouvertes et d'autres objets.

- Ne laissez pas des enfants utiliser la machine. Assurez-vous que tous les opérateurs lisent et comprennent le contenu de ce manuel d'utilisation.
- Gardez les mains ou tout autre objet à l'écart du carter de souffleur pendant le fonctionnement. Les pièces en rotation peuvent causer de graves blessures.
- N'utilisez pas le produit si la prise d'air n'est pas installée. Avant utilisation, assurez-vous toujours que la prise d'air est installée et qu'elle n'est pas endommagée.
- En cas d'urgence, détachez les ceintures de taille et de poitrine du harnais et laissez tomber le produit.
- Respectez les réglementations et directives nationales.
- Maintenez toutes les parties du corps à l'écart des surfaces chaudes.
- Des vibrations trop importantes peuvent endommager la circulation ou le système nerveux. Si vous avez des symptômes, par exemple un engourdissement, une perte de sensations, des picotements, des coups de pied, une douleur, une perte de force ou des changements de couleur de peau au niveau des doigts, des mains ou des poignets, parlez-en à votre médecin.
- Attention aux objets projetés. Les objets projetés peuvent engendrer de graves blessures.
- N'utilisez pas le produit par mauvais temps : brouillard, pluie, vent violent ou grand froid. Travailler par mauvais temps peut provoquer une fatigue et des conditions dangereuses.
- Assurez-vous que vous pouvez vous déplacer et garder une position stable. Effectuer un contrôle de la zone de travail pour détecter d'éventuels obstacles, par exemple des pierres. Soyez très prudent lors de l'utilisation du produit sur une pente.
- Ne laissez pas la machine au sol lorsque le moteur tourne.
- N'utilisez pas le produit à partir de positions élevées, par exemple sur une échelle.
- Assurez-vous d'être toujours entendu en cas d'accident.
- Assurez-vous que la sortie des gaz d'échappement n'est pas obstruée. Pour éviter d'endommager le produit, maintenez les obstacles à une distance minimale de 50 cm de la sortie des gaz d'échappement.
- Ne démarrez pas le produit dans un local clos, où il y a une mauvaise circulation d'air ou à proximité de matériaux inflammables. Les gaz d'échappement du moteur contiennent du monoxyde de carbone pouvant provoquer une intoxication. Les gaz d'échappement du moteur sont très chauds et peuvent contenir des étincelles pouvant provoquer un incendie.

Équipement de protection individuel



AVERTISSEMENT: Lisez les instructions qui suivent avant d'utiliser le produit.

- Utilisez un équipement de protection individuel homologué lorsque vous utilisez le produit. L'équipement de protection individuel ne protège pas complètement des blessures, mais il diminue la gravité des blessures. Pour davantage d'informations, contactez votre revendeur.
- Utilisez des protège-oreilles homologués. Une exposition prolongée au bruit risque de causer des lésions auditives permanentes.
- Utilisez des protections pour les yeux homologués. L'usage d'une visière doit toujours s'accompagner du port de lunettes de protection homologuées. Les lunettes de protection homologuées doivent être conformes aux normes ANSI Z87.1 (États-Unis) ou EN 166 (pays de l'UE).
- Utilisez des gants de protection pendant l'utilisation et l'entretien.
- Utilisez des bottes de protection ou des chaussures équipées de semelles antidérapantes.
- Utilisez des vêtements en tissu résistant couvrant tout le corps. N'utilisez pas de bijoux ou de chaussures ouvertes. Pour réduire le risque de blessures, vos vêtements doivent être près du corps, mais ne doivent pas limiter vos mouvements. Placez vos cheveux au-dessus de vos épaules pour éviter qu'ils ne pénètrent dans les parties rotatives ou qu'ils ne s'accrochent aux branches.
- Utilisez une protection respiratoire lorsqu'il y a un risque de présence de poussières.
- Conservez l'équipement de premiers secours à proximité.

Dispositifs de sécurité sur le produit



AVERTISSEMENT: Lisez les instructions qui suivent avant d'utiliser le produit.

- N'utilisez pas un produit avec des dispositifs de sécurité défectueux.
- Contrôlez les dispositifs de sécurité régulièrement. Reportez-vous à la section *Entretien à la page 148*.
- Si les dispositifs de sécurité sont défectueux, parlez-en à votre atelier d'entretien Husqvarna.

Pour contrôler le silencieux



AVERTISSEMENT: N'utilisez pas un produit un silencieux en mauvais état.



AVERTISSEMENT: Le silencieux devient très chaud pendant et après utilisation, même au régime de ralenti. Utilisez des gants de protection pour éviter des brûlures.



AVERTISSEMENT: L'intérieur du silencieux contient des produits chimiques pouvant être cancérogènes. Ne touchez pas le silencieux s'il est endommagé.

- Effectuez régulièrement un contrôle visuel du silencieux. Le silencieux est conçu pour réduire au maximum le niveau sonore et rejeter les gaz d'échappement loin de l'utilisateur. Reportez-vous à la section *Pour procéder à l'entretien du silencieux à la page 149*.

Pour contrôler le système anti-vibrations

1. Assurez-vous que les dispositifs anti-vibrations ne sont pas fissurés ni déformés.
2. Assurez-vous que les dispositifs anti-vibrations sont fixés correctement sur le moteur et les poignées.

Reportez-vous à la section *Aperçu du produit à la page 141* pour connaître l'emplacement du système anti-vibrations sur votre produit.

Pour contrôler l'interrupteur marche/arrêt

1. Utilisez l'interrupteur marche/arrêt pour arrêter le moteur.
2. Assurez-vous que le moteur s'arrête complètement.

Pour connaître l'emplacement de l'interrupteur marche/arrêt sur votre produit, reportez-vous à *Aperçu du produit à la page 141*.

Sécurité carburant



AVERTISSEMENT: Lisez les instructions qui suivent avant d'utiliser le produit.

- Ne mélangez ni n'ajoutez pas le carburant à l'intérieur ou à proximité d'une source de chaleur.
- Ne démarrez pas le produit si vous avez renversé de l'huile ou du carburant sur le produit ou sur vous.
- Ne démarrez pas le produit si le moteur présente une fuite de carburant. Vérifiez régulièrement s'il y a des fuites de carburant dans le moteur.
- Faites toujours attention avec le carburant. Le carburant est inflammable et ses vapeurs sont explosives. Il peut causer des blessures graves, voire mortelles.
- Ne respirez pas les vapeurs de carburant, elles peuvent causer des blessures. Assurez-vous que la ventilation est suffisante.
- Ne fumez pas à proximité du carburant ou du moteur.

- Ne placez pas le produit ni le bidon de carburant dans un espace où il y a des objets chauds, une flamme nue, des étincelles ou une veilleuse d'allumage.
- Utilisez uniquement des récipients homologués pour le transport et le stockage de carburant.

Consignes de sécurité pour l'entretien



AVERTISSEMENT: Lisez les instructions qui suivent avant d'utiliser le produit.

- Arrêtez le moteur, déposez la bougie et laissez refroidir le moteur avant d'effectuer l'entretien et le montage.
- Le blocage du pare-étincelles entraîne la surchauffe et la détérioration du moteur.
- Si le pare-étincelles est fréquemment obstrué, cela peut indiquer que les performances du pot catalytique sont dégradées. Faites contrôler le silencieux par votre atelier d'entretien.

Montage

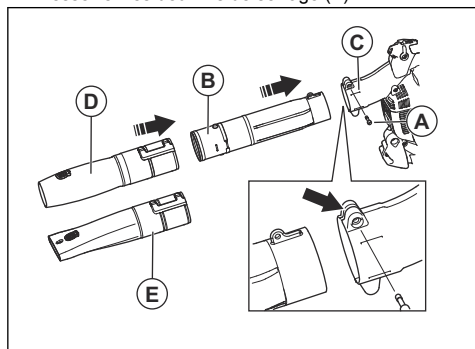
Introduction



AVERTISSEMENT: Assurez-vous de lire et de comprendre le chapitre dédié à la sécurité avant de monter l'appareil.

Assemblage du tube du souffleur

1. Desserrez les deux vis de serrage (A).



2. Installez le tube intermédiaire (B) sur le tube du souffleur (C).
3. Installez et serrez la vis de serrage (A).
4. Installez la buse ronde (D) ou la buse plate (E) sur le tube intermédiaire.

Utilisation

Introduction



AVERTISSEMENT: Assurez-vous de lire et de comprendre le chapitre dédié à la sécurité avant d'utiliser l'appareil.

Carburant

Ce produit est équipé d'un moteur à deux temps.



REMARQUE: L'utilisation d'un type de carburant inadéquat peut endommager le moteur. Utilisez un mélange d'essence et d'huile deux temps.

Carburant prémélangé

- Utilisez Husqvarna un carburant alkylate prémélangé pour des performances optimales et une plus longue durée de vie du moteur. Ce carburant contient des produits chimiques moins dangereux par rapport au carburant normal, ce qui réduit la quantité de gaz d'échappement dangereux. Ce carburant génère une faible quantité de résidus, ce qui permet de garder les composants du moteur propres plus longtemps.

Pour mélanger le carburant

Essence

- Utilisez une essence sans plomb de bonne qualité avec un maximum de 10 % d'éthanol.



REMARQUE: n'utilisez pas d'essence avec un indice d'octane inférieur à 90 RON/87 AKI. L'utilisation d'une essence d'un indice d'octane inférieur peut entraîner des cognements, et donc endommager le moteur.

Huile deux temps

- Pour un résultat et un fonctionnement optimaux, utilisez de l'huile deux temps Husqvarna.
- Si l'huile deux temps Husqvarna n'est pas disponible, utilisez une huile deux temps de haute qualité pour moteurs refroidis à l'air. Contactez votre atelier d'entretien pour sélectionner l'huile appropriée.



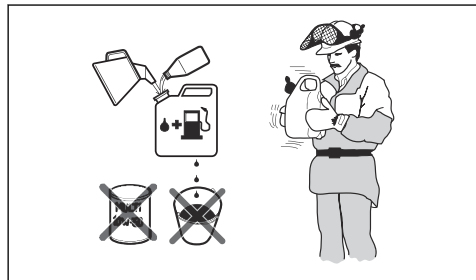
REMARQUE: N'utilisez pas d'huile deux temps pour les moteurs hors-bord refroidis par eau (huile outboard). N'utilisez pas d'huile pour moteurs à quatre temps.

Pour mélanger l'essence et l'huile deux temps

Essence, en litres	Huile deux temps, en litres
	2 % (50:1)
5	0,10
10	0,20
15	0,30
20	0,40



REMARQUE: lorsque vous mélangez de faibles quantités de carburant, de petites erreurs peuvent influencer considérablement sur le rapport de mélange. Mesurez soigneusement la quantité d'huile et assurez-vous que vous obtenez le mélange correct.



1. Remplissez la moitié de la quantité d'essence dans un récipient propre et adapté pour l'essence.
2. Ajoutez la quantité totale d'huile.
3. Mélangez en secouant le mélange de carburant.
4. Ajoutez le reste de l'essence dans le récipient.
5. Mélangez avec précaution en secouant le récipient.



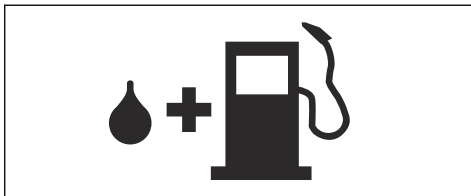
REMARQUE: Ne mélangez jamais plus d'un mois de carburant à chaque fois.

Pour remplir le réservoir de carburant



AVERTISSEMENT: Respectez la procédure suivante pour votre sécurité.

1. Arrêtez le moteur et laissez-le refroidir.
2. Essuyez le pourtour du bouchon du réservoir de carburant.



3. Secouez le conteneur et assurez-vous que le carburant est complètement mélangé.
4. Déposez lentement le couvercle du réservoir de carburant pour relâcher la pression.
5. Remplissez le réservoir de carburant.



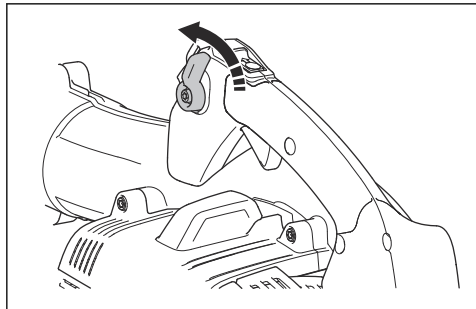
REMARQUE: Assurez-vous qu'il n'y a pas de trop de carburant dans le réservoir de carburant. Le carburant se dilate lorsqu'il devient chaud.

6. Serrez soigneusement le bouchon du réservoir de carburant.
7. Nettoyez tout déversement de carburant sur et autour du produit.
8. Positionnez le produit à au moins 3 m/10 pi de la zone et de la source du remplissage avant de démarrer le moteur.

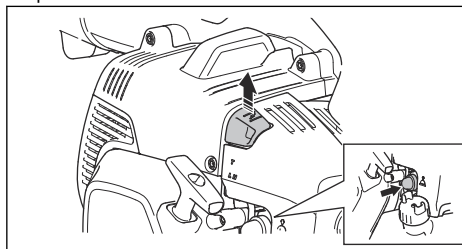
Remarque: Pour connaître l'emplacement du réservoir de carburant sur votre produit, reportez-vous à la section *Introduction à la page 141*.

Pour démarrer le produit

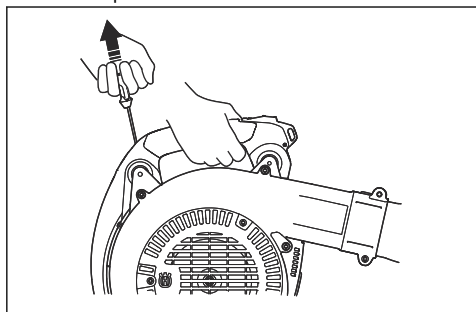
1. Placez la commande d'accélération en position de ralenti.



2. Si le moteur est froid, poussez le levier de starter en position de starter fermé.



3. Pressez la poire de la pompe à carburant plusieurs fois jusqu'à ce que le carburant commence à remplir la poire. Il n'est pas nécessaire de remplir entièrement la poire de la pompe à carburant.
4. Placez le produit sur une surface plane au sol.
5. Tenez le produit avec la main droite.



REMARQUE: N'utilisez pas vos pieds pour tenir le produit.

6. Tirez lentement la poignée du câble du démarreur jusqu'à ressentir une résistance.

7. Tirez rapidement la poignée du câble du démarreur avec votre main gauche. Tirez sur la poignée du câble du démarreur plusieurs fois jusqu'à ce que le moteur démarre.

Remarque: Ne tirez pas complètement sur la poignée du câble du démarreur et ne lâchez pas la poignée du câble du démarreur.

8. Si le moteur est froid, placez le levier de starter en position ouverte.
9. Si le moteur est froid, laissez-le chauffer pendant 2 à 3 minutes avant d'utiliser le produit.



AVERTISSEMENT: L'air est libéré au démarrage du moteur et lorsque le produit est réglé au régime de ralenti. Ne laissez personne s'approcher à proximité du produit ou du tube du souffleur.

Pour utiliser le produit

- Utilisez le produit aux heures de travail habituelles. Respectez les réglementations locales.
- Diminuez les pièces d'équipement et sélectionnez la vitesse adaptée à votre tâche. Utilisez l'accélérateur à la position la plus basse possible pour éviter plus de bruit et de poussière que nécessaire.
- Maintenez la buse du souffleur près du sol.

Remarque: Husqvarna recommande d'utiliser l'extension de buse de souffleur complète.

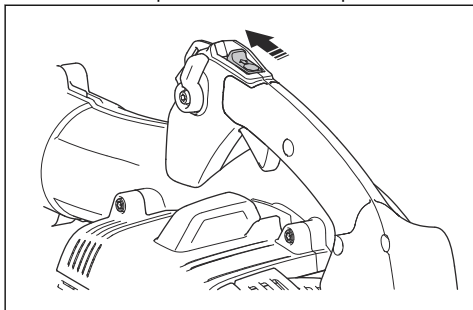
- Notez la direction du vent et faites fonctionner le produit dans la direction du vent.
- Utilisez les outils de jardin appropriés pour dégager les matériaux du sol.
- Dans les zones poussiéreuses, utilisez un équipement de pulvérisation pour mouiller la zone. Cela permet de réduire le temps de fonctionnement.
- Après utilisation, conservez le produit en position de stockage verticale.

Pour arrêter le moteur



REMARQUE: N'arrêtez pas le produit à pleine vitesse.

- Mettez l'interrupteur marche/arrêt en position d'arrêt.



Entretien

Introduction



AVERTISSEMENT: assurez-vous de lire et de comprendre le chapitre sur la sécurité avant de procéder à l'entretien du produit.

Calendrier d'entretien

Entretien	Au quoti- dien	Toutes les sem- aines	Une fois par mois
Nettoyez les surfaces externes.	X		
Assurez-vous que la commande d'accélération fonctionne correctement.	X		
Contrôlez le bon fonctionnement de l'interrupteur marche/arrêt. Reportez-vous à la section <i>Pour contrôler l'interrupteur marche/arrêt à la page 144.</i>	X		
Vérifiez si le moteur, le réservoir de carburant et les conduites de carburant présentent des fuites. Vérifiez que le filtre à carburant n'est pas contaminé. Remplacez le filtre à carburant si nécessaire.	X		
Nettoyez le filtre à air. Remplacez le filtre à air si nécessaire.	X		
Serrez les écrous et les vis.	X		
Examinez la prise d'air pour vous assurer qu'elle n'est pas obstruée.	X		
Vérifiez si le démarreur et le câble de démarreur sont endommagés.		X	
Vérifiez que les dispositifs anti-vibrations ne présentent pas de dommages, de fissures ou de déformations. Vérifiez que les dispositifs anti-vibrations sont correctement installés.		X	
Vérifiez la bougie. Reportez-vous à la section <i>Pour contrôler la bougie d'allumage à la page 149.</i>		X	
Nettoyez le système de refroidissement.		X	
Nettoyez la surface extérieure du carburateur et la zone autour de celui-ci.		X	
Nettoyer le réservoir de carburant.			X
Vérifiez tous les câbles et toutes les connexions.			X

Entretien	Au quoti- dien	Toutes les sem- aines	Une fois par mois
Examinez et nettoyez le pare-étincelles sur le silencieux (pour les produits sans convertisseur catalytique).		X	
Examinez et nettoyez le pare-étincelles sur le silencieux (pour les produits avec convertisseur catalytique).			X
Remplacez la bougie. Assurez-vous qu'elle est installée avec un antiparasite.			X

Pour régler le régime de ralenti

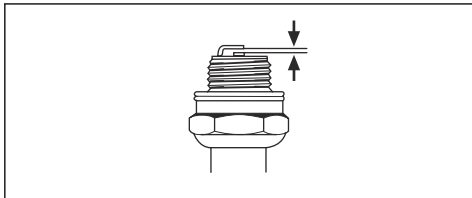
1. Assurez-vous que le filtre à air est propre et que le couvercle de filtre à air est attaché.
2. Réglez le régime de ralenti à l'aide de la vis de ralenti. Pour connaître l'emplacement de la vis de ralenti sur votre produit, reportez-vous à la section *Aperçu du produit à la page 141*.

Pour contrôler la bougie d'allumage



REMARQUE: Utilisez la bougie recommandée. Reportez-vous à la section *Pour contrôler la bougie d'allumage à la page 149*. Une bougie inappropriée peut endommager le produit.

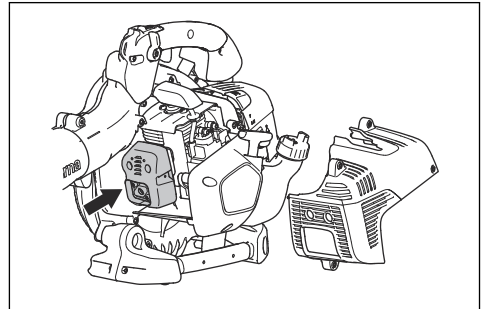
1. Arrêtez le moteur et laissez le produit refroidir.
2. Nettoyez la bougie si elle est sale.
3. Vérifiez que l'écartement des électrodes est correct. Reportez-vous à la section *Caractéristiques techniques à la page 152*.



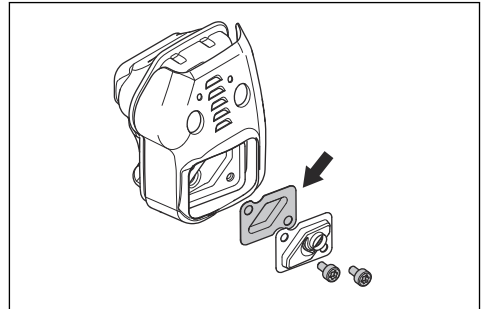
4. Remplacez la bougie une fois par mois ou plus fréquemment, si nécessaire.

Pour procéder à l'entretien du silencieux

1. Arrêtez le moteur et laissez refroidir le silencieux. Utilisez des gants de protection.



2. Retirez la protection du silencieux.
3. Contrôlez visuellement. Remplacez le pare-étincelles s'il est endommagé.



Pour inspecter et nettoyer le système de refroidissement

Le système de refroidissement comprend les ailettes de refroidissement sur le cylindre et la prise d'air.

1. Arrêtez le moteur.
2. Assurez-vous que le système de refroidissement n'est pas encrassé ou colmaté. Si nécessaire, nettoyez la prise d'air et les ailettes de refroidissement.



REMARQUE: Un circuit de refroidissement sale ou colmaté peut provoquer la surchauffe du moteur, ce qui peut endommager le produit. Une prise d'air obstruée diminue la force de soufflage.

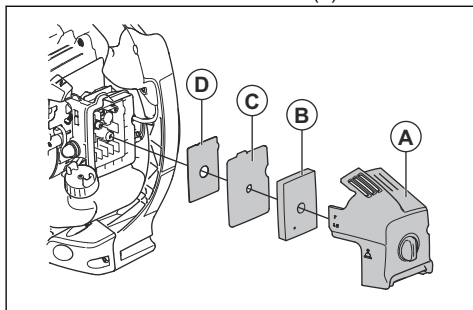
3. Vérifiez que le système de refroidissement n'est pas endommagé. Assurez-vous que les pièces sont correctement fixées au produit.

Pour nettoyer le filtre à air



REMARQUE: N'utilisez pas de produit sans filtre à air ou avec un filtre à air endommagé. La poussière présente dans l'air peut endommager le moteur.

1. Poussez la commande de starter en position de starter fermé.
2. Retirez le couvercle du filtre à air (A).



3. Retirez le filtre à air (B) du cadre du filtre.
4. Nettoyez le filtre à air (B) avec de l'eau chaude et du savon.

Remarque: Un filtre à air qui a servi longtemps ne peut pas être complètement propre. Remplacez le filtre à air régulièrement et remplacez toujours un filtre à air défectueux.

5. Nettoyez la surface intérieure du couvercle du filtre à air (A) avec une brosse.
6. Retirez et remplacez le filtre en feutre (C) s'il est sale.
7. Installer le pare-étincelles (D), le filtre en feutre (C) et le filtre à air (B).
8. Installez le couvercle de filtre à air (A) sur le produit.

Dépannage

Le moteur ne démarre pas		
Contrôle	Cause possible	Solution
Bouton d'arrêt.	Position d'arrêt	Mettez l'interrupteur d'arrêt en position de démarrage.
Cliquet(s) du démarreur.	Cliquet(s) du démarreur bloqué(s) ou usé(s).	Réglez ou remplacez le(s) cliquet(s) du démarreur.
		Nettoyez le(s) cliquet(s) du démarreur.
		Contactez un atelier d'entretien agréé.
Réservoir d'essence.	Mauvais type de carburant.	Vidangez le réservoir de carburant et utilisez le carburant qui convient.
Carburateur.	Réglage du régime de ralenti.	Réglez le régime de ralenti à l'aide de la vis de réglage du ralenti.

Le moteur ne démarre pas		
Contrôle	Cause possible	Solution
Allumage (pas d'étincelle).	Bougie sale ou humide.	Assurez-vous que la bougie est sèche et propre.
	L'écartement des électrodes sur la bougie est incorrect.	Nettoyez la bougie. Vérifiez que l'écartement des électrodes est correct. Assurez-vous que la bougie est dotée d'un antiparasite. Reportez-vous aux caractéristiques techniques pour obtenir le bon écartement des électrodes.
Bougie.	Bougie desserrée.	Serrez la bougie d'allumage.
	Il y a des matériaux indésirables sur les électrodes des bougies.	Assurez-vous que le mélange de carburant est correct. Assurez-vous que le filtre à air est propre.

Le moteur démarre, puis s'arrête à nouveau		
Contrôle	Cause possible	Solution
Réservoir d'essence.	Mauvais type de carburant.	Vidangez et utilisez le bon carburant.
Carbureteur.	Le moteur ne fonctionne pas correctement lorsqu'il tourne au régime de ralenti.	Contactez votre atelier d'entretien.
Filtre à air.	Filtre à air bouché.	Nettoyez le filtre à air.

Transport et stockage



AVERTISSEMENT: Pour éviter tout risque d'incendie, assurez-vous qu'il n'y a pas de fuites ou d'émanations pendant le transport ou le stockage. Assurez-vous qu'il n'y a pas de risque d'étincelles ou d'incendie.

- Avant de transporter ou de remettre le produit pour une période prolongée, videz le réservoir de carburant. Pressez la poire de la pompe à carburant pour s'assurer que tout le carburant est éliminé. Mettez le carburant au rebut dans une déchetterie appropriée.
- Assurez-vous que le produit est propre et que son entretien complet a été effectué avant de le ranger pour une période prolongée.
- Retirez la bougie et versez environ 15 ml d'huile deux temps dans le cylindre. Tournez le produit 3 fois et remettez la bougie en place.
- Fixez le produit en toute sécurité au véhicule pour le transporter.
- Placez le produit dans un endroit sec, frais et propre avec une bonne circulation d'air. Tenez la machine à l'écart des enfants.

Caractéristiques techniques

Caractéristiques techniques

Husqvarna 525BX	
Moteur	
Cylindrée, cm ³	25,4
Régime de ralenti, tr/min	3 000
Convertisseur catalytique	Oui
Système d'allumage	
Bougie	NGK BPMR8Y
Écartement des électrodes, mm	0,6 à 0,7
Système de graissage/de carburant	
Capacité du réservoir de carburant, l / cm ³	0,45 / 450
Poids	
Poids, sans carburant, kg	4,4
Émissions sonores³¹	
Niveau de puissance sonore, mesuré dB(A)	104
Niveau de puissance acoustique, garanti L _{WA} dB(A)	106
Niveaux sonores³²	
Niveau de pression sonore équivalent au niveau de l'oreille de l'utilisateur, mesuré selon la norme EN15503 dB(A) :	
Équipé d'une buse ronde	91
Équipé d'une buse plate	92
Niveaux de vibrations³³	
Niveaux de vibrations équivalents (a _{hv,eq}) mesurés au niveau des poignées selon la norme EN 15503, en m/s ²	
Équipé d'une buse ronde	1,2
Équipé d'une buse plate	2,0
Performances du ventilateur	
Vitesse d'air max., avec buse ronde, m/s	70

³¹ Émissions sonores dans l'environnement mesurées comme puissance sonore (L_{WA}) selon la directive européenne CE 2000/14/CE. Le niveau de puissance sonore reporté pour la machine a été mesuré avec la buse du souffleur d'origine qui donne le niveau le plus élevé. Le niveau de puissance sonore garanti diffère du niveau mesuré en cela qu'il prend également en compte la dispersion et les variations d'une machine à l'autre du même modèle, conformément à la directive 2000/14/CE.

³² Les données reportées pour le niveau de pression sonore montrent une dispersion statistique typique (dévi-
ation standard) de 1,0 dB(A).

³³ Les données reportées pour le niveau de vibrations montrent une dispersion statistique typique (dévi-
ation standard) de 1,0 m/s².

	Husqvarna 525BX
Vitesse d'air max., avec buse plate, m/s	86
Débit d'air pour la buse ronde, m ³ /min	13
Débit d'air pour la buse plate, m ³ /min	10

Déclaration de conformité CE

Déclaration de conformité CE

Husqvarna AB, SE-561 82 Huskvarna, Suède, tél. :
+46-36-146500, déclare que les souffleurs **Husqvarna**
525BX à partir des numéros de série de l'année de
fabrication 2016 (l'année est clairement indiquée sur la
plaque signalétique et suivie du numéro de série) sont
conformes aux dispositions de la DIRECTIVE DU
CONSEIL :

- du 17 mai 2006 « relative aux machines »
2006/42/CE.
- du 26 février 2014 « relative à la compatibilité
électromagnétique » **2014/30/UE.**
- du 8 mai 2000 « émissions sonores dans
l'environnement » **2000/14/CE.** Évaluation de la
conformité conformément à l'annexe V. Pour plus
d'informations concernant les émissions sonores,
consultez le chapitre *Caractéristiques techniques à
la page 152.*
- du 8 juin 2011 « relative à la limitation de l'utilisation
de certaines substances dangereuses au sein
d'équipements électriques et électroniques »
2011/65/UE.

Les normes harmonisées suivantes ont été appliquées :

EN ISO 12100-2/A1:2009, CISPR 12:2009, EN
15503:2009/A2:2015, EN 50581:2012

RISE SMP Svensk Maskinprovning AB, a procédé à des
examens de type volontaire au nom de Husqvarna AB.
Le certificat porte le numéro : **SEC/14/2423** - 525BX

Huskvarna, 2020-01-01



Per Gustafsson, Directeur du développement
(Représentant autorisé d'Husqvarna AB et responsable
de la documentation technique)

Sadržaj

Uvod.....	155	Rješavanje problema.....	163
Sigurnost.....	156	Prijevoz i skladištenje.....	164
Sastavljanje.....	158	Tehnički podaci.....	165
Rad.....	159	Izjava o sukladnosti EC.....	167
Održavanje.....	161		

Uvod

Opis proizvoda

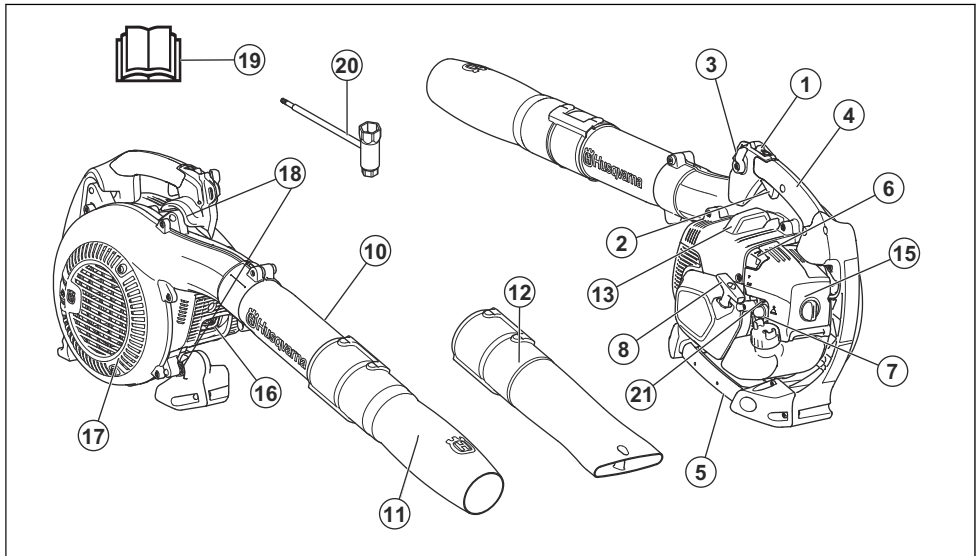
Ovaj proizvod je puhač s benzinskim motorom.

Naša politika obuhvaća neprekidan razvoj proizvoda i stoga zadržavamo pravo na preinake dizajna i izgleda proizvoda bez prethodne obavijesti.

Namjena

Upotrebljavajte ovaj proizvod za puhanje lišća i drugog neželjenog materijala s područja, kao što su travnjaci, prilazni i asfaltirani putovi.

Pregled proizvoda



1. Prekidač za pokretanje/zaustavljanje
2. Regulator gasa
3. Regulator gasa
4. Kontrolna ručica
5. Ručka
6. Poluga čoka
7. Pumpica za gorivo
8. Ručica užeta pokretača
9. Vijak stezaljke
10. Srednja cijev
11. Okrugla mlaznica
12. Ravni nastavak
13. Svjećica
14. Čep spremnika za gorivo
15. Filter za zrak
16. Prigušivač
17. Rešetka dovoda zraka
18. Sustav za smanjivanje vibracija
19. Korisnički priručnik
20. Kombinirani ključ
21. Vijak praznog hoda

Simboli na proizvodu



UPOZORENJE! Ovaj proizvod može biti opasan i izazvati teške ozljede ili smrt rukovatelja, odnosno drugih osoba. Budite oprezni i pravilno upotrebljavajte ovaj proizvod.



Pažljivo pročitajte korisnički priručnik i prije upotrebe dobro usvojite sadržaj.



Upotrebljavajte odobrenu zaštitu sluha i odobrenu zaštitu za oči. Ako u okolini ima prašine, nosite masku za disanje.



Upotrebljavajte odobrene zaštitne rukavice.



Ovaj je proizvod sukladan s primjenjivim direktivama EZ-a.



Mješavina goriva i ulja za dvotaktne motore.



Pumpica za gorivo.



Čok, otvoren položaj.



Čok, zatvoren položaj.



Emisije buke u okoliš u skladu s europskom Direktivom 2000/14/EZ i propisom za zaštitu od radova u okolišu (kontrola buke) Novog Južnog Walesa iz 2017. Podaci o emisiji

buke navedeni su na naljepnici stroja i u poglavlju Tehnički podaci.



Pazite na izbačene predmete. Odbačeni predmetu mogu uzrokovati ozbiljne ozljede. Upotrebljavajte opremu za osobnu zaštitu.



Od osoba ili životinja održavajte sigurnosnu udaljenost od najmanje 15 m.

Na natpisnoj pločici nalazi se serijski broj.

ggggg je godina proizvodnje, a **tt** je tjedan proizvodnje.

gggggtbooox

Napomena: Drugi simboli/naljepnice na proizvodu odnose se na zahtjeve za certifikaciju na drugim tržišnim područjima.

Standard za emisije Euro V.



UPOZORENJE: Petljanjem po motoru gubite pravo na odobrenje EU-a ovog proizvoda.

Pouzdanost proizvoda

Sukladno zakonima o pouzdanosti proizvoda nismo odgovorni za oštećenja uzrokovana našim proizvodima ako je:

- proizvod nepravilno popravljen
- proizvod popravljen dijelovima koje nije proizveo proizvođač ili nemaju odobrenje proizvođača
- proizvod ima dodatnu opremu koje nije proizveo proizvođač ili nemaju odobrenje proizvođača
- proizvod nije popravljen u odobrenom servisnom centru ili kod ovlaštene osobe.

Sigurnost

Sigurnosne definicije

Definicije u nastavku prikazuju razinu ozbiljnosti svake signalne riječi.



UPOZORENJE: Ozljede osoba.



OPREZ: Oštećenje proizvoda.

Napomena: Informacije olakšavaju korištenje proizvoda.

Opće sigurnosne upute



UPOZORENJE: Prije upotrebe proizvoda pročitajte upozoravajuće upute u nastavku.

- Nemojte izmjenjivati proizvod bez odobrenja proizvođača i uvijek upotrebljavajte originalnu dodatnu opremu. Neodobrene izmjene i/ili dodatna oprema mogu uzrokovati ozbiljne ozljede ili smrt rukovatelja ili drugih osoba.
- Nemojte upotrebljavati oštećen proizvod. Provedite sigurnosne provjere i održavanje iz priručnika za rukovatelja. Sva druga održavanja provodi ovlašteno servisno osoblje.
- Sva servisiranja i popravke provodi ovlašteno servisno osoblje. Ako je dio proizvoda neispravan, obratite se servisnom zastupniku.

Sigurnosne upute za rad



UPOZORENJE: Prije upotrebe proizvoda pročitajte upozoravajuće upute u nastavku.

- Ovaj proizvod može biti opasan i izazvati teške ozljede ili smrt rukovatelja, odnosno drugih osoba. Budite oprezni i pravilno upotrebljavajte ovaj proizvod.
- Pregledajte proizvod prije upotrebe. Pogledajte *Održavanje na stranici 161*.
- Proizvod nemojte upotrebljavati kada se umorni, bolesni ili pod utjecajem alkohola ili drugih opijata koji mogu smanjiti vaš vid, sposobnost rasuđivanja ili koordinaciju.
- Prije upotrebe postavite sve poklopce i štitnike. Kako biste spriječili strujne udare, provjerite jesu li lulica svječiće i kabel paljenja neoštećeni.
- Kada je motor uključen, nemojte dodirivati svječiću ili kabel paljenja.
- Od osoba ili životinja održavajte sigurnosnu udaljenost od najmanje 15 m. Ako se osobe, djeca ili životinje približe na manje od 15 m, zaustavite proizvod. Proizvod usmjerite od osoba, životinja, otvorenih prozora i drugih predmeta.
- Djeci nemojte dopustiti rad s proizvodom. Svi rukovatelji obavezno moraju pročitati i usvojiti sadržaje ovog priručnika za rukovatelja.
- Tijekom rada šake i druge predmete držite podalje od kućišta puhača. Okretni dijelovi mogu uzrokovati ozbiljne ozljede.
- Ako na ulaz zraka nije postavljena mrežica, nemojte upotrebljavati proizvod. Prije upotrebe uvijek provjerite je li na ulaz zraka postavljena neoštećena mrežica.
- U slučaju opasnosti otpustite remen na struku i remen na prsima i dopustite pad proizvoda.
- Poštujte nacionalne propise i smjernice.
- Sve dijelove tijela držite podalje od vrućih površina.

- Prejake vibracije mogu oštetiti cirkulaciju ili živčani sustav. Ako imate simptome poput trnaca, gubitka osjećaja, bockanja, bolova, gubitka snage te promjene u boji ili stanju kože na prstima, šakama ili zapešćima, obratite se liječniku.
- Pazite na izbačene predmete. Odbačeni predmetu mogu uzrokovati ozbiljne ozljede.
- Proizvod nemojte upotrebljavati po lošem vremenu, primjerice magli, kiši, snažnom vjetru i u prehladnim okruženjima. Rad po lošem vremenu može uzrokovati zamor i opasne uvjete.
- Provjerite mogućnosti kretanja i održavajte stabilan položaj. Na radnoj površini potražite moguće prepreke, primjerice kamenje. Budite pažljivi kada proizvod upotrebljavate na kosini.
- Proizvod s uključenim motorom nemojte odlagati na tlo.
- Proizvod nemojte upotrebljavati na visokim položajima, primjerice na ljestvama.
- Osigurajte da vas se može čuti u slučaju nezgode.
- Provjerite prohodnost ispuha ispušnih para. Kako ne biste oštetili proizvod, prepreke od ispuha ispušnih para moraju biti udaljene najmanje 50 cm.
- Proizvod nemojte pokretati u zatvorenom prostoru, kada je protok zraka slab ili u blizini zapaljivog materijala. Ispušne pare motora sadrže ugljični monoksid, koji može uzrokovati trovanje ugljičnim monoksidom. Ispušne pare motora vruće su i mogu sadržavati vruće iskre koje mogu uzrokovati požar.

Oprema za osobnu zaštitu



UPOZORENJE: Prije korištenja proizvoda pročitajte upozoravajuće upute u nastavku.

- Prilikom korištenja proizvoda koristite prikladnu opremu za osobnu zaštitu. Osobnom zaštitnom opremom ozljede se ne mogu u potpunosti spriječiti, no može se smanjiti njihova ozbiljnost. Za više informacija obratite se ovlaštenom zastupniku.
- Upotrebljavajte odobrenu zaštitu sluha. Dugotrajno izlaganje buci može uzrokovati trajno oštećenje sluha.
- Upotrebljavajte odobrenu zaštitu za oči. Ako nosite vizir, morate nositi i odobrene zaštitne naočale. Odobrene zaštitne naočale moraju ispunjavati standard ANSI Z87.1 za SAD ili EN 166 za države EU-a.
- Tijekom rada i održavanja nosite zaštitne rukavice.
- Nosite zaštitne čizme ili cipele s neprokliznim potplatima.
- Nosite dugu odjeću od čvrstog materijala. Nemojte nositi nakit ili otvorenu obuću. Kako biste smanjili opasnost od ozljede, nosite usku odjeću koja ne ograničava kretanje. Kosa mora biti iznad ramena kako ne bi dospjela u okretno dijelove ili se zapetljala u grane.

- Ako prašina predstavlja opasnost, nosite zaštitu za disanje.
- Opremu za prvu pomoć držite u blizini.

Sigurnosne upute za proizvod



UPOZORENJE: Prije uporabe proizvoda pročitajte upozoravajuće upute u nastavku.

- Nemojte koristiti proizvod s oštećenim zaštitnim uređajima.
- Redovito pregledavajte sigurnosne uređaje. Pogledajte *Održavanje na stranici 161*.
- Ako su sigurnosni uređaji neispravni, obratite se Husqvarna servisnom zastupniku.

Provjera prigušivača



UPOZORENJE: Nemojte upotrebljavati proizvod s oštećenim prigušivačem.



UPOZORENJE: Prigušivač se jako zagrijavanja tijekom i nakon rada, također i u praznom hodu. Nosite zaštitne rukavice kako biste spriječili opekline.



UPOZORENJE: Unutarnja površina prigušivača obložena je kemikalijama koje mogu biti kancerogene. Nemojte dodirivati oštećen prigušivač.

- Redovito vizualno pregledajte prigušivač. Prigušivač razinu buke održava na minimumu i ispušta plinove usmjerava dalje od rukovatelja. Pogledajte *Održavanje prigušivača na stranici 162*.

Provjera sustava za smanjenje vibracija

1. Pobrinite se da nema pukotina ili izobličenja na jedinicama za smanjivanje vibracija.
2. Provjerite jesu li jedinice za smanjivanje vibracija ispravno pričvršćene na motor i jedinicu s ručkama.

Za informacije o tomu gdje se nalazi sustav za smanjivanje vibracija na vašem proizvodu pročitajte *Pregled proizvoda na stranici 155*.

Provjera sklopke za pokretanje/zaustavljanje

1. Upotrebljavajte sklopku za pokretanje/zaustavljanje kako biste zaustavili motor.
2. Motor se mora u potpunosti zaustaviti.

Kako biste pronašli sklopku za pokretanje/zaustavljanje na proizvodu, pogledajte *Pregled proizvoda na stranici 155*.

Sigurnost pri rukovanju s gorivom



UPOZORENJE: Prije uporabe proizvoda pročitajte upozoravajuće upute u nastavku.

- Gorivo nemojte miješati ili dolijevati u zatvorenom prostoru ili u blizini izvora topline.
- Proizvod nemojte pokretati ako ste po proizvodu ili tijelu prošli gorivo ili ulje.
- Proizvod nemojte pokretati ako motor ispušta gorivo. Redovito pregledavajte ispušta li motor gorivo.
- Gorivom uvijek rukujte pažljivo. Gorivo je zapaljivo, a pare su eksplozivne i mogu uzrokovati ozbiljne ozljede ili smrt.
- Nemojte udisati pare goriva, one mogu uzrokovati ozljede. Osigurajte dovoljan protok zraka.
- U blizini goriva ili motora nemojte pušiti.
- Proizvod ili posudu za gorivo nemojte stavljati blizu toplih predmeta, otvorenog plamena, iskri ili lampica.
- Za prijevoz i skladištenje goriva obavezno upotrebljavajte odobrene spremnike.

Sigurnosne upute za održavanje



UPOZORENJE: Prije upotrebe proizvoda pročitajte upozoravajuće upute u nastavku.

- Prije održavanja i sastavljanja zaustavite motor, uklonite svječicu i pričekajte na hlađenje motora.
- Neprohodna mrežica za hvatanje iskri uzrokuje pregrijavanje motora, odnosno njegovog oštećenja.
- Ako je mrežica za hvatanje iskri često neprohodna, to može ukazivati na smanjenu učinkovitost katalizatora. Za pregled prigušivača obratite se servisnom zastupniku.

Sastavljanje

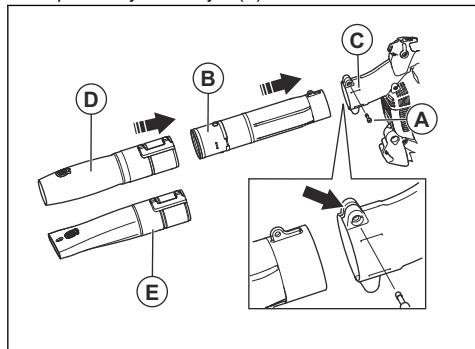
Uvod



UPOZORENJE: Prije sklapanja proizvoda s razumijevanjem pročitajte poglavlje o sigurnosti.

Sastavljanje cijevi puhača

1. Otpustite vijak stezaljke (A).



2. Umetnite srednju cijev (B) u cijev puhača (C).
3. Postavite i zategnite vijak stezaljke (A).
4. Stavite okruglu mlaznicu (D) ili ravnu mlaznicu (E) na srednju cijev.

Rad

Uvod



UPOZORENJE: Prije upotrebe proizvoda pročitajte i usvojite poglavlje o sigurnosti.

Gorivo

Proizvod ima dvotaktni motor.



OPREZ: Neispravna vrsta goriva može uzrokovati oštećenje motora. Upotrebljavajte mješavinu benzina i ulja za dvotaktne motore.

Prethodno izmiješano gorivo

- Upotrebljavajte Husqvarna prethodno izmiješano alkilatno gorivo za najbolje performanse motora i produljenje njegova životnog vijeka. To gorivo sadrži manje štetnih kemikalija u usporedbi s uobičajenim gorivom koje sadržava štetne ispušne plinove. Količina ostataka nakon sagorijevanja manja je s ovim gorivom, što komponente motora održava čistijima.

Miješanje goriva

Benzin

- Upotrebljavajte kvalitetni bezolovni benzin s maksimalnim udjelom etanola od 10 %.



OPREZ: Nemojte upotrebljavati benzin s oktanskim brojem manjim od 90 RON / 87 AKI. Upotreba nižeg oktanskog broja može prouzročiti lupanje u motoru, što izaziva oštećenja motora.

Ulje za dvotaktne motore

- Za najbolje rezultate i performanse upotrebljavajte Husqvarna ulje za dvotaktne motore.
- Ako ulje za dvotaktne motore tvrtke Husqvarna nije dostupno, upotrijebite neko drugo ulje za dvotaktne motore dobre kvalitete za motore sa zračnim hlađenjem. O odabiru ispravne vrste ulja razgovarajte sa svojim servisnim zastupnikom.



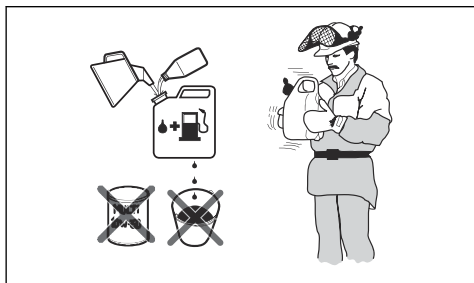
OPREZ: Ne upotrebljavajte ulje za dvotaktne vanbrodske motore hlađene vodom, poznato još i kao ulje za vanbrodske motore. Nemojte upotrebljavati ulje za četverotaktne motore.

Miješanje benzina i ulja za dvotaktne motore

Benzin, litra	Ulje za dvotaktne motore, litra
	2 % (50:1)
5	0,10
10	0,20
15	0,30
20	0,40



OPREZ: Čak i male pogreške mogu drastično utjecati na omjer mješavine kada miješate manje količine goriva. Pažljivo izmjerite količinu ulja kako biste bili sigurni da ćete dobiti ispravnu mješavinu.

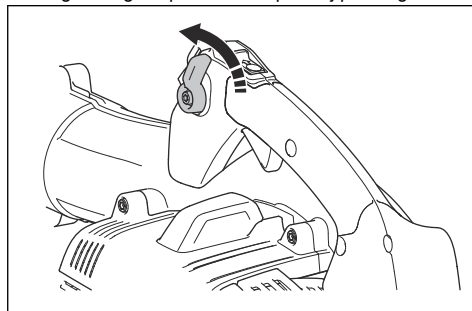


1. Polovicu količine benzina ulijte u čisti spremnik za gorivo.
2. Ulijte cijelu količinu ulja.
3. Promiješajte mješavinu goriva.
4. Ulijte preostalu količinu benzina u spremnik.
5. Pažljivo promiješajte mješavinu goriva.

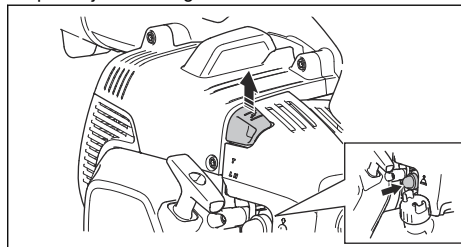
Napomena: Da biste saznali gdje se na vašem proizvodu nalazi spremnik za gorivo, pročitajte odjeljak *Uvod na stranici 155.*

Pokretanje proizvoda

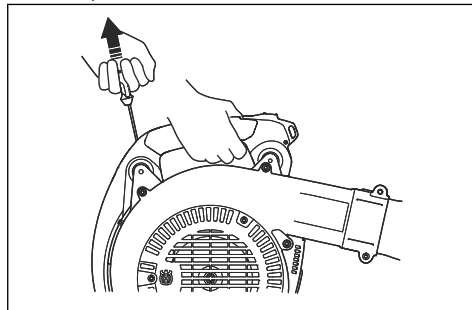
1. Regulator gasa pomaknite u položaj praznog hoda.



2. Ako je motor hladan, regulator čoka postavite u položaj zatvorenog čoka.



3. Uzastopno pritišćite čašicu pumpe za gorivo dok se čašica ne počne puniti gorivom. Nije neophodno do kraja napuniti čašicu pumpice za gorivo.
4. Proizvod postavite na ravnu površinu na tlu.
5. Držite proizvod desnom rukom.

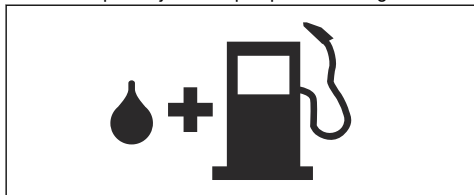


Punjenje spremnika za gorivo



UPOZORENJE: Pratite postupak koji osigurava vašu sigurnost.

1. Zaustavite motor i pričekajte na hlađenje motora.
2. Očistite područje oko čepa spremnika za gorivo.



3. Protresite spremnik i provjerite je li gorivo u potpunosti izmiješano.
4. Čep spremnika za gorivo uklonite polako kako biste otpustili tlak.
5. Napunite spremnik za gorivo.



OPREZ: U spremniku za gorivo ne smije biti previše goriva. Gorivo se širi kada je vruće.

6. Pažljivo pritegnite čep spremnika za gorivo.
7. Očistite proliveno gorivo s i oko proizvoda.
8. Prije pokretanja motora odmaknite ovaj proizvod 3 m / 10 stopa od mjesta na kojemu nadolijevate gorivo.



OPREZ: Proizvod nemojte držati nogama.

6. Polako vucite ručicu užeta pokretača dok ne osjetite otpor.

- Ručicu užeta pokretača brzo povucite lijevom rukom. Uzastopno povlačite ručicu užeta pokretača do pokretanja motora.

Napomena: Ručicu užeta pokretača nemojte potpuno izvlačiti i nemojte je ispuštati.

- Ako je motor hladan, regulator čoka postavite u položaj otvorenog čok.
- Ako je motor hladan, pogonite ga 2 – 3 minute prije upotrebe kako bi se zagrijao.



UPOZORENJE: Zrak se ispušta po pokretanju motora i postavljanju proizvoda na brzinu praznog hoda. Nikome nemojte dopustiti da se približi proizvodu ili cijevi puhača.

Rad s proizvodom

- Proizvod upotrebljavajte u uobičajenim radnim satima. Poštujte lokalne propise.
- Smanjite broj dijelova opreme i odaberite odgovarajuću brzinu za rad. Koristite najniži položaj gasa kako biste smanjili buku i podizanje prašine.
- Mlaznicu puhača držite uz tlo.

Napomena: Husqvarna preporučuje upotrebu punog produžetka mlaznice na puhača.

- Utvrđite smjer puhanja vjetra i upotrebljavajte proizvod niz vjetar.

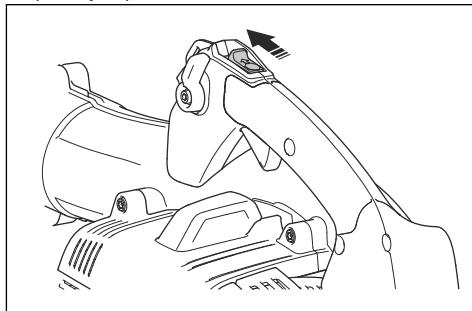
- Za otpuštanje materijala od tla primijenite odgovarajuće vrtno alate.
- U prašnjavim područjima opremom za raspršivanje ovlažite površinu. Tako smanjujete vrijeme rada.
- Proizvod nakon rada uskladištite u okomitom položaju.

Isključivanje motora



OPREZ: Proizvod nemojte zaustavljati pri punoj brzini.

- Sklopku za pokretanje/zaustavljanje postavite u položaj stop.



Održavanje

Uvod



UPOZORENJE: Prije održavanja proizvoda pročitajte i usvojite sigurnosno poglavlje.

Raspored održavanja

Održavanje	Dnevno	Tjedno	Mjesečno
Očistite vanjske površine.	X		
Provjerite funkcionira li regulatora gasa ispravno.	X		
Provjerite ispravnost sklopke za pokretanje/zaustavljanje. Pročitajte odjeljak <i>Provjera sklopke za pokretanje/zaustavljanje na stranici 158.</i>	X		
Pregledajte ima li curenja na motoru, spremniku i vodovima za gorivo. Pregledajte filter za gorivo da nije kontaminiran. Ako je potrebno, zamijenite filter za gorivo.	X		
Očistite filter za zrak. Ako je potrebno, zamijenite filter.	X		
Zategnite matice i vijke.	X		
Pregledajte usis zraka kako biste bili sigurni da je prohodan.	X		

Održavanje	Dnevno	Tjedno	Mjesečno
Provjerite ima li oštećenja na pokretaču ili užetu pokretača.		X	
Pregledajte ima li na oštećenja ili pukotina ili izobličenja na jedinicama za ublažavanje vibracija. Provjerite jesu li ispravno ugrađene jedinice za ublažavanje vibracija.		X	
Pregledajte svječicu. Pročitajte odjeljak <i>Provjera svječice na stranici 162</i> .		X	
Očistite rashladni sustav.		X	
Očistite vanjsku površinu rasplinjača i prostor oko njega.		X	
Očistite spremnik za gorivo.			X
Pregledajte sve kabele i priključke.			X
Pregledajte i očistite mrežicu za hvatanje iskri na prigušivaču (na proizvodima bez katalizatora).		X	
Pregledajte i očistite mrežicu za hvatanje iskri na prigušivaču (na proizvodima s katalizatorom).			X
Promijenite svječicu. Mora biti postavljena zajedno s prigušivačem.			X

Podešavanje broja okretaja u praznom hodu

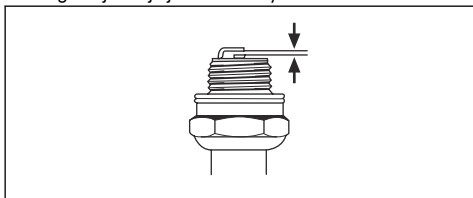
1. Provjerite je li filter za zrak čist te je li postavljen poklopac filtra za zrak.
2. Podesite brzinu praznog hoda s vijkom za brzinu praznog hoda. Kako biste pronašli vijak za brzinu praznog hoda na proizvodu, pogledajte *Pregled proizvoda na stranici 155*.

Provjera svječice



OPREZ: Upotrebljavajte preporučene svječice. Pogledajte *Provjera svječice na stranici 162*. Neprikladna svječica može oštetiti proizvod.

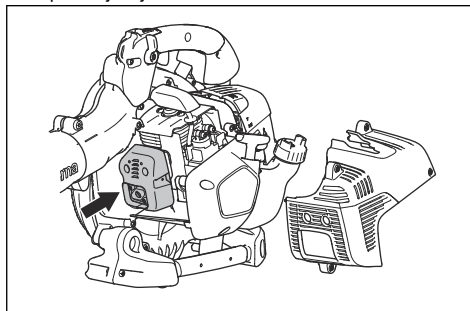
1. Zaustavite motor i pričekajte na hlađenje proizvoda.
2. Očistite zaprljanu svječicu.
3. Provjerite ispravnost razmaka između elektroda. Pogledajte odjeljak *Tehnički podaci na stranici 165*.



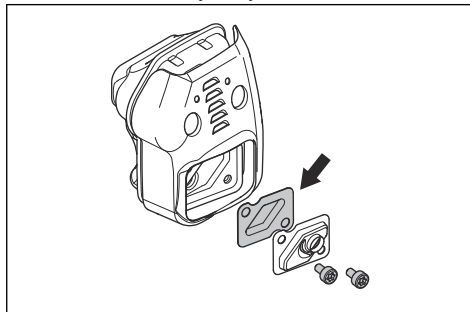
4. Ako je potrebno, svječicu zamijenite svaki mjesec ili učestalije.

Održavanje prigušivača

1. Zaustavite motor i pričekajte da se prigušivač ohladi. Upotrebljavajte zaštitne rukavice.



2. Uklonite poklopac prigušivača.
3. Pregledajte vizualno. Ako je mrežica za hvatanje iskri oštećena, zamijenite je.



Pregled i čišćenje rashladnog sustava

Rashladni sustav obuhvaća rashladna rebra na cilindru mrežicu na usisu zraka.

1. Zaustavite motor.
2. Provjerite je li rashladni sustav čist i prohodan. Mrežicu na usisu zraka i rashladna rebra očistite po potrebi.



OPREZ: Onečišćen ili neprohodan rashladni sustav može povećati temperaturu motora i uzrokovati oštećenje proizvoda. Neprohodna mrežica na usisu zraka smanjuje silu puhanja.

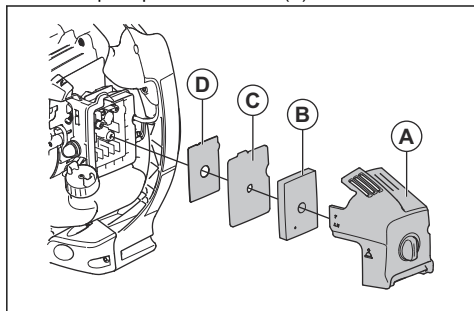
3. Provjerite je li rashladni sustav neoštećen. Provjerite jesu li dijelovi pravilno pričvršćeni za proizvod.

Čišćenje filtra zraka



OPREZ: Proizvod nemojte upotrebljavati bez filtra za zrak ili s oštećenim filtrom za zrak. Prašina u zraku može uzrokovati oštećenje motora.

1. Regulator čoka postavite u položaj zatvorenog čoka.
2. Skinite poklopac filtra za zrak (A).



Rješavanje problema

Motor nije moguće pokrenuti		
Provjera	Mogući uzrok	Rješenje
Gumb Stop.	Položaj za zaustavljanje	Sklopku za zaustavljanje postavite u položaj za pokretanje.
Startne kopče.	Blokirane ili istrošene startne kopče.	Podesite ili zamijenite startne kopče.
		Očistite prostor oko startnih kopči.
		Obratite se ovlaštenom servisnom zastupniku.

Motor nije moguće pokrenuti		
Provjera	Mogući uzrok	Rješenje
Spremnik za gorivo.	Nepravilna vrsta goriva.	Ispraznite spremnik za gorivo i upotrijebite ispravno gorivo.
Rasplinjač.	Podešavanje brzine okretaja u praznom hodu.	Prilagodite broj okretaja u praznom hodu uz pomoć vijka za podešavanje.
Iskrenje (nema iskre).	Svjećica je zaprljana ili mokra.	Provjerite je li svjećica suha i čista.
	Neispravan je razmak elektroda na svjećici.	Očistite svjećicu. Provjerite ispravnost razmaka između elektroda. Provjerite ima li svjećica prigušivač. U tehničkim podacima potražite ispravan razmak elektroda.
Svjećica.	Svjećica nije zategnuta.	Zategnite svjećicu.
	Na elektroda ma svjećice je nepoželjni materijal.	Provjerite ispravnost mješavine goriva. Provjerite je li filter zraka čist.

Motor se pokreće, no potom zaustavlja		
Provjera	Mogući uzrok	Rješenje
Spremnik za gorivo.	Nepravilna vrsta goriva.	Ispraznite ga i upotrijebite ispravno gorivo.
Rasplinjač.	Motor ne radi ispravno u praznom hodu.	Razgovarajte sa svojim servisnim zastupnikom.
Filter zraka.	Začepljen filter zraka.	Očistite filter zraka.

Prijevoz i skladištenje



UPOZORENJE: Kako biste onemogućili razvoj požara, onemogućite ispuštanja tekućina ili pare tijekom transporta ili skladištenja. Uvjerite se da ne postoji opasnost od iskrenja ili požara.

- Prije transporta ili dugotrajnog skladištenja ispraznite spremnik za gorivo. Pritišćite čašicu pumpe za gorivo kako biste uklonili sve gorivo. Zbrinite gorivo na prikladnoj lokaciji za zbrinjavanje.
- Prije dugotrajnog skladištenja proizvod morate očistiti i provesti puni servis.

- Izvadite svjećicu i u cilindar ulijte približno 15 ml ulja za dvotaktni motor. Tri puta okrenite proizvod i ponovno ugradite svjećicu.
- Za transport proizvod sigurno pričvrstite za vozilo.
- Proizvod držite u suhom, hladnom i čistom prostoru s dobrim protokom zraka. Proizvod držite podalje od djece.

Tehnički podaci

Tehnički podaci

	Husqvarna 525BX
Motor	
Zapremnina cilindra, cm ³	25,4
Broj okretaja u praznom hodu, okr./min	3000
Katalizator	Da
Sustav uključivanja	
Svjećica	NGK BPMR8Y
Razmak elektroda, mm	0,6 + -0,7
Sustav za gorivo i podmazivanje	
Zapremnina spremnika ulja, l / cm ³	0,45 / 450
Masa	
Masa bez goriva, kg	4,4
Emisije buke³⁴	
Razina jačine zvuka, mjerena u dB (A)	104
Razina jačine zvuka, zajamčena L _{WA} dB (A)	106
Razine buke³⁵	
Ekvivalentna razina buke pri uhu rukovatelja, izmjerena sukladno EN15503 dB(A):	
Opremljen okruglom mlaznicom	91
Opremljen ravnom mlaznicom	92
Razine vibracije³⁶	
Ekvivalentne razine vibracija (a _{hv,eq}) na ručkama izmjerene u skladu s EN 15503, m/s ²	
Opremljen okruglom mlaznicom	1,2
Opremljen ravnom mlaznicom	2,0
Rad ventilatora	
Maks. brzina zraka s okruglom mlaznicom, m/s	70
Maks. brzina zraka s ravnom mlaznicom, m/s	86
Protok zraka kod okrugle mlaznice, m ³ /min	13

³⁴ Emisije buke u okoliš izmjerene kao jakost zvuka (L_{WA}) u skladu s EZ direktivom 2000/14/EZ. Navedena razina jakosti zvuka izmjerena je originalnim mlaznicom puhača koji daje najveću razinu. Razlika između zajamčene i izmjerene razine buke jest da zajamčena razina uključuje i raspršenje rezultata mjerenja i varijacije između različitih uređaja istog modela u skladu s Direktivom 2000/14/EZ.

³⁵ Navedeni podaci za razinu pritiska zvuka uključuju tipično statističko raspršenje (standardno odstupanje) od 1,0 dB (A).

³⁶ Podaci o razini vibracije pokazuju tipičnu statističku disperziju (standardnu devijaciju) od 1,0 m/s².

	Husqvarna 525BX
Protok zraka kod ravnog nastavka, m ³ /min	10

Izjava o sukladnosti EC

EZ izjava o sukladnosti

Husqvarna AB, SE-561 82 Huskvarna, Švedska, tel: +46-36-146500, izjavljuje da su puhači **Husqvarna 525BX** sa serijskim brojevima iz 2016 i noviji (godina je jasno navedena na nazivnoj pločici, uz serijski broj), u suglasnosti sa zahtjevima DIREKTIVE VIJEĆA:

- od 17. svibnja 2006., „o strojevima“ **2006/42/EZ**.
- od 26. veljače 2014. „o elektromagnetskoj kompatibilnosti“ **2014/30/EU**.
- od 8. svibnja 2000. „o emisijama buke u okoliš“ **2000/14/EZ**. Procjena sukladnosti prema Dodatku V. Informacije o emisiji buke potražite u odjeljku *Tehnički podaci na stranici 165*.
- od 8. lipnja 2011. „o ograničenoj upotrebi određenih opasnih tvari u električnoj i elektroničkoj opremi“ **2011/65/EU**.

Primijenjeni su sljedeći standardi:

EN ISO 12100-2/A1:2009, CISPR 12:2009, EN 15503:2009/A2:2015, EN 50581:2012

RISE SMP Svensk Maskinprovning AB, provela je dobrovoljno ispitivanje za Husqvarna AB. Certifikat je numeriran: **SEC/14/2423** - 525BX

Huskvarna, 2020-01-01



Per Gustafsson, razvojni menadžer (ovlašteni predstavnik tvrtke Husqvarna AB i osoba odgovorna za tehničku dokumentaciju)

TARTALOMJEGYZÉK

Bevezető.....	168	Hibaelhárítás.....	177
Biztonság.....	169	Szállítás és raktározás.....	178
Összeszerelés.....	172	Műszaki adatok.....	179
Üzemeltetés.....	172	EK megfelelőségi nyilatkozat.....	181
Karbantartás.....	175		

Bevezető

Termékleírás

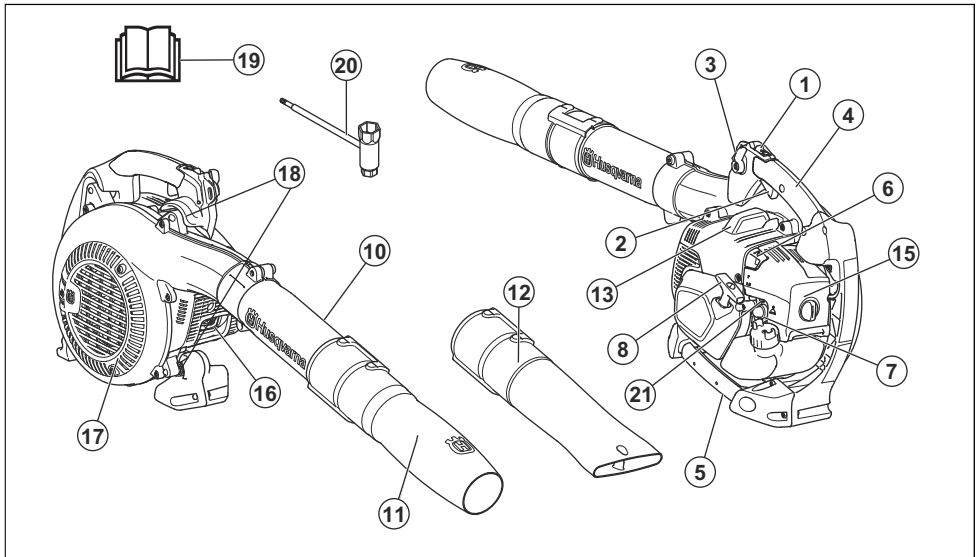
A termék egy belső égésű motorral működő lombfúvó.

Folyamatosan fejlesztjük termékeinket, ezért fenntartjuk a jogot a termékek kialakításának és megjelenésének előzetes figyelmeztetés nélküli megváltoztatására.

Rendeltetésszerű használat

A termék a levelek és egyéb nemkívánatos anyagok gyepről, gyalogösvényekről és aszfaltutakról való eltávolításához használható.

A termék áttekintése



1. Be/ki kapcsoló
2. Gázadagoló
3. Gázadagoló
4. Vezérlőfogantyú
5. Fogantyúkar
6. Hidegindító kar
7. Üzemanyagpumpa
8. Indítószinór fogantyúja
9. Szorítócsavar
10. Összekötő cső
11. Kerek fúvóka
12. Széles fúvóka
13. Gyújtógyertya
14. Üzemanyagtartály sapkája
15. Légszűrő
16. Kipufogódob
17. Levegőbeömlő rács
18. Rezgés csillapító rendszer
19. Kezelői kézikönyv
20. Kombinált kulcs
21. Üresjárat csavar

A termék szimbólumai



FIGYELMEZTETÉS! A termék veszélyes lehet a kezelőre és másokra, valamint a súlyos sérüléseket és halálukat okozhatja. Körültekintően járjon el, és megfelelően használja a terméket.



Olvassa el figyelmesen a használati utasítást, és győződjön meg arról, hogy megértette azt, mielőtt a terméket használatba veszi.



Használjon jóváhagyott fülvédőt és védőszemüveget. Ha poros környezetben dolgozik, használjon porvédő maszkot.



Használjon jóváhagyott védőkesztyűt.



Ez a termék megfelel a vonatkozó EK irányelveknek.



Benzin és kétütemű olaj keveréke.



Üzemanyagpumpa.



Szívató, nyitott állás.



Szívató, zárt állás.



A 2000/14/EK számú európai irányelvnek és New South Wales „Környezetben történő munkavégzés (zajszabályozás) szabályozása, 2017” irányelvének megfelelő

környezeti zajszennyezés. A zajszennyezésre vonatkozó adatok a gép címkéjén és a Műszaki adatok című fejezetben találhatóak.



Figyeljen a felcsapódó tárgyakra. A felcsapódó tárgyak súlyos sérülést okozhatnak. Használjon személyi védőfelszerelést.



Tartson legalább 15 m-es biztonsági távolságot a személyektől és állatoktól.

ééééhxxxx

A sorozatszámot fel tüntető típusábla.
éééé a gyártási év, **hh** pedig a gyártási hét.

Megjegyzés: A terméken szereplő többi jelölés/címke a további piacok specifikus vizsgáztatási követelményeire vonatkozik.

Euro V. kibocsátási norma



FIGYELMEZTETÉS: A motor módosítása érvényteleníti a termékre vonatkozó európai uniós típusjóváahagyást.

Termékszavatosság

A termékszavatosságra vonatkozó jogszabályok értelmében nem vagyunk felelősek a termékeink által okozott károkért az alábbi esetekben:

- a termék javítását helytelenül végezték;
- a termék javítása nem a gyártótól származó vagy általa jóváhagyott alkatrészekkel történt;
- a terméket nem a gyártótól származó vagy általa jóváhagyott kiegészítővel szerelték fel;
- a termék javítását nem hivatalos szakszerviz vagy jóváhagyott egyéb szerviz végezte.

Biztonság

Biztonsági fogalom meghatározások

Az alábbi fogalom meghatározások az egyes figyelmeztetésekhez tartozó, lehetséges veszélyek súlyosságát határozzák meg.



FIGYELMEZTETÉS: Személyi sérülés veszélye.



VIGYÁZAT: A termék károsodásának veszélye.

Megjegyzés: Ezek az információk a termék használatát könnyítik meg.

Általános biztonsági utasítások



FIGYELMEZTETÉS: A termék használata előtt olvassa el az alábbi figyelmeztetéseket.

- Ne hajtson végre módosításokat a terméken a gyártó jóváhagyása nélkül, és minden esetben eredeti tartozékokat használjon. A gyártó által nem engedélyezett módosítások és/vagy tartozékok a kezelő vagy mások súlyos vagy halálos sérülését okozhatják.
- Ne használjon sérült terméket. A jelen használati utasításban előírtak szerint végezze el a biztonsági ellenőrzéseket és a karbantartást. Minden egyéb karbantartási munkát csak hivatalos szervizszakember végezhet el.
- Minden szervizelési és javítási műveletet hivatalos szervizszakembernek kell elvégeznie. Ha a termék valamelyik része hibás, forduljon az illetékes szakszervizhez.

Biztonsági utasítások az üzemeltetéshez



FIGYELMEZTETÉS: A termék használata előtt olvassa el az alábbi figyelmeztetéseket.

- A termék veszélyes lehet a kezelőre és másokra, valamint a súlyos sérülésüket és halálukat okozhatja. Körültekintően járjon el, és megfelelően használja a terméket.
- Használat előtt ellenőrizze a terméket. Lásd: *Karbantartás 175. oldalon.*
- Ne használja a terméket, ha fáradt, beteg, illetve ha alkohol, drog vagy gyógyszer hatása alatt áll, mert ezek negatív hatással lehetnek a látására, ítélőképességére vagy koordinációjára.
- Használat előtt szerelje fel az összes burkolatot és védőelemet. Az áramütés elkerülése érdekében győződjön meg arról, hogy a gyertyapipa és a gyújtáskábel nem sérült-e.
- Ne érintse meg a gyújtógyertyát vagy a gyújtáskábelt, amikor a motor jár.
- Tartson legalább 15 m-es biztonsági távolságot a személyektől és állatoktól. Ha személyek, gyermekek vagy állatok 15 méternél közelebb jönnek, állítsa le a terméket. Ne fordítsa a terméket személyek, állatok, nyitott ablakok vagy más tárgyak felé.
- Ne engedje, hogy gyermekek működtessék a terméket. Győződjön meg róla, hogy minden kezelő elolvasta és megértette a jelen használati utasítás tartalmát.
- Működés közben tartsa távol kezét és az egyéb tárgyakat a lombfúvó burkolatától. A forgó alkatrészek súlyos sérülést okozhatnak.

- Ne használja a terméket a levegőbeömlő rács nélkül. Használat előtt mindig győződjön meg arról, hogy a levegőbeömlő rács fel van szerelve, és nem sérült.
- Vész helyzet esetén oldja ki a heveder derék- és mellkasövét, és hagyja a földre esni a terméket.
- Tartsa be a nemzeti szabályozásokat és irányelveket.
- Tartsa távol a testrészeit a forró felületektől.
- A túl sok rezgés károsíthatja a vérkeringést és az idegrendszeret. Amennyiben olyan tüneteket észlel, mint például a zsibbadás, érzékiesség, bizsergés, szúrás, fájdalom, gyengeség vagy a bőr színének megváltozása az ujjain, kezén vagy csuklóján, forduljon kezelőorvosához.
- Figyeljen a felcsapódó tárgyakra. A felcsapódó tárgyak súlyos sérülést okozhatnak.
- Ne használja a terméket rossz időjárási viszonyok között, például ködben, esőben, nagy szélben vagy nagy hidegben. A rossz időjárási körülmények melletti munkavégzés fáradtságot és veszélyes körülményeket okozhat.
- Ügyeljen arra, hogy szabadon mozoghasson, és dolgozzon stabil testhelyzetben. Ellenőrizze a munkaterületet, hogy találhatók-e rajta akadályok, például kövek. Legyen óvatos, ha a terméket lejtőn használja.
- Ne tegye le a földre a terméket járó motorral.
- Ne használja a terméket magasban, például létrán.
- Ügyeljen arra, hogy egy esetleges baleset esetén mindig meghallják.
- Ellenőrizze, hogy nincs-e eltömődve a kipufogónyílás. A termék károsodásának megelőzése érdekében tartsa az akadályokat legalább 50 cm-es távolságra a kipufogónyílástól.
- Ne indítsa be a terméket zárt helyiségben, rossz légáramlás esetén vagy gyúlékony anyagok közelében. A motor kipufogógáza szén-monoxidot tartalmaznak, ami szénmonoxid-mérgezést okozhat. A motor kipufogógáza forróak, ami tüzet okozhat.

Személyi védőfelszerelés



FIGYELMEZTETÉS: A termék használata előtt olvassa el az alábbi figyelmeztetéseket.

- Amikor a terméket használja, viseljen jóváhagyott személyi védőfelszerelést. A személyi biztonsági felszerelés nem előzi meg teljes mértékben a sérüléseket, de csökkentheti azok mértékét. További információért forduljon szakkereskedőjéhez.
- Használjon jóváhagyott fülvédőt. Hosszú távon a tartós zajártalom maradandó halláskárosodást okozhat.
- Használjon jóváhagyott védőszemüveget. Ha arcvédőt használ, jóváhagyott védőszemüveget is kell viselnie. Jóváhagyott védőszemüvegek azok,

amelyek megfelelnek az ANSI Z87.1 (USA) illetve EN 166 (EU-országok) szabványoknak.

- A működtetés és karbantartás során viseljen védőkesztyűt.
- Viseljen csúszásgátló talppal ellátott védőcsizmát vagy lábbelit.
- Erős anyagból készült, teljes hosszúságú ruházatot használjon. Ne viseljen ékszert vagy nyitott lábbelit. A sérülés kockázatának csökkentése érdekében a ruházatnak szorosan kell illeszkednie, de nem szabad korlátoznia a mozgás szabadságát. Fogja fel úgy a haját, hogy az a vállai felett legyen, hogy ne kerülhessen a forgó alkatrészek közelébe, és ne akadjon fel az ágakban.
- Por veszélye esetén viseljen légzésvédőt.
- Tartsa kéznél az elsősegélykészletet.

Biztonsági eszközök a terméken



FIGYELMEZTETÉS: A termék használata előtt olvassa el az alábbi figyelmeztetéseket.

- Ne használjon olyan terméket, amelynek hibásak a biztonsági eszközei.
- Rendszeresen ellenőrizze a biztonsági eszközöket. Lásd az *Karbantartás 175. oldalon* fejezetet.
- A biztonsági eszközök meghibásodása esetén vegye fel a kapcsolatot a Husqvarna szakszervizzel.

A hangfogó ellenőrzése



FIGYELMEZTETÉS: Ne használja a terméket, ha a hangfogó meghibásodott.



FIGYELMEZTETÉS: A hangfogó a működés közben és után, valamint alapjárat fordulatszámra is felforrósodik. A sérülések elkerülésének érdekében használjon védőkesztyűt.



FIGYELMEZTETÉS: A hangfogó belsejében rákkeltő vegyi anyagok is lehetnek. Ne nyúljon a sérült hangfogóhoz!

- Rendszeres időközönként szemrevételezéssel ellenőrizze a hangfogót. A hangfogó minimálisan csökkenti a zajszintet és elvezeti a kipufogógázokat a kezelő közeléből. Lásd: *A hangfogó karbantartása 176. oldalon*.

A rezgéscsillapító rendszer ellenőrzése

1. Győződjön meg arról, hogy nincsenek repedések vagy eldeformálódás a rezgéscsillapító rendszer egységein.

2. Ellenőrizze, hogy a rezgéscsillapító egységek megfelelően kapcsolódnak-e a motortesthez és a fogantyúkhöz.

A rezgéscsillapító rendszer elhelyezkedésével kapcsolatos információkat illetően tekintse át a következőt: *A termék áttekintése 168. oldalon*.

A be/ki kapcsoló ellenőrzése

1. A motor leállításához nyomja meg a be/ki kapcsolót.
2. Győződjön meg arról, hogy a motor teljesen leállt.

A termék indító-/leállítókapcsolójának elhelyezésével kapcsolatban lásd: *A termék áttekintése 168. oldalon*.

Üzemanyaggal kapcsolatos biztonság



FIGYELMEZTETÉS: A termék használata előtt olvassa el az alábbi figyelmeztetéseket.

- Ne keverjen vagy töltsön üzemanyagot beltéren vagy hőforrás közelében.
- Ne indítsa be a terméket, ha üzemanyag vagy olaj került a termékre vagy Önre.
- Ne indítsa be a motort, ha a motornál üzemanyag-szivárgás észlelhető. Vizsgálja meg rendszeresen a motort üzemanyag-szivárgás szempontjából.
- Mindig bánjon óvatosan az üzemanyaggal. Az üzemanyag gyúlékony, a gőzei robbanásveszélyesek, ezért súlyos, vagy akár végzetes sérülést is okozhat.
- Ne lélegezze be az üzemanyag gőzeit, egészségkárosodást okozhatnak. Gondoskodjon megfelelő légáramlásról.
- Az üzemanyag vagy a motor közelében ne dohányozzon.
- Ne vigye a terméket vagy az üzemanyagtartályt forró tárgyak közelébe, vagy olyan helyre, ahol nyílt láng, szikra vagy őrláng található.
- Mindig engedélyezett tartályokat használjon az üzemanyag tárolására és szállítására.

Biztonsági utasítások a karbantartáshoz



FIGYELMEZTETÉS: A termék használata előtt olvassa el az alábbi figyelmeztetéseket.

- Karbantartás vagy összeszerelés előtt állítsa le a motort, távolítsa el a gyújtógyertyát, és hagyja lehűlni a motort.
- Az eltömődött szikrafogó háló a motor túlhevülését okozhatja, amely a motor károsodásához vezet.
- Ha a szikrafogó háló gyakran eltömődik, ez annak lehet a jele, hogy csökkent a katalizátor teljesítménye. A hangfogó ellenőrzésével kapcsolatban forduljon a szakszervizhez.

Összeszerelés

Bevezető

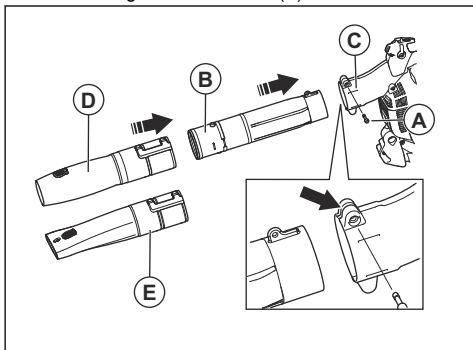


FIGYELMEZTETÉS: Figyelmesen olvassa el a biztonságról szóló fejezetet, mielőtt összeállítaná a terméket.

2. Szerelje fel a közbenső csövet (B) a fúvócsőre (C).
3. Szerelje be és húzza meg a szorítócsavart (A).
4. Szerelje fel a kerek (D) vagy a lapos fúvókát (E) a közbenső csőre.

A fúvócső összeszerelése

1. Lazítsa meg a szorítócsavart (A).



Üzemeltetés

Bevezető



FIGYELMEZTETÉS: A termék használata előtt figyelmesen olvassa el a biztonságról szóló fejezetet.

Az üzemanyag keverése

Benzin

- Jó minőségű, legfeljebb 10% etanolt (E10) tartalmazó, ólmozatlan benzint használjon.

Üzemanyag

A termékben kétütemű motor működik.



VIGYÁZAT: A nem megfelelő üzemanyag használata a motor károsodásához vezethet. Benzin és kétütemű motorolaj keverékét használja üzemanyagként.



VIGYÁZAT: Ne használjon 90 RON/87 AKI értéknel alacsonyabb oktánszámú benzint. Alacsonyabb oktánszám esetén kopogás jelentkezhet a motorban, ami a motor károsodását okozhatja.

Kétütemű motorhoz való olaj

- A legjobb eredmények és teljesítmény érdekében használjon Husqvarna kétütemű motorolajat.
- Ha nem áll rendelkezésre Husqvarna kétütemű motorolaj, használjon más jó minőségű, léghűtéses motorokhoz készült kétütemű olajat. A megfelelő olaj kiválasztását illetően forduljon az illetékes szakszervizhez.

Előkevert üzemanyag

- A jó teljesítmény és a motor élettartamának megnövelése érdekében előkevert Husqvarna alküzemanyagot használjon. Ez az üzemanyag típus kevesebb a hagyományos üzemanyagokhoz képest kevesebb vegyszert tartalmaz, így a kipufogó károsanyag-kibocsátása is mérséklődik. Az égés után visszamaradó anyagok mennyisége ezen üzemanyag esetében kevesebb, ami tisztább állapotban tartja a motor alkotóelemeit.



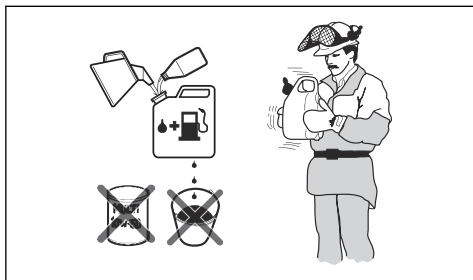
VIGYÁZAT: Ne használjon vízhűtéses külső motorokhoz való kétütemű motorolajat (más néven „outboard” olajat). Soha ne használjon négyütemű motorokhoz való olajat.

Benzin és kétütemű olaj összekeverése

Benzin, liter	Kétütemű olaj, liter
	2% (50:1)
5	0,10
10	0,20
15	0,30
20	0,40



VIGYÁZAT: Kisebbségi mennyiségű üzemanyag kikeverésekor fennáll a veszélye, hogy az apróbb hibák jelentősen befolyásolják a keverési arányt. A helyes keverési arány érdekében gondosan mérje ki a keverékhez adagolandó olaj mennyiségét.



1. Töltse bele a benzin felét egy üzemanyaghoz való, tiszta tartályba.
2. Töltse be a teljes olajmennyiséget.
3. Rázza össze az üzemanyag-keveréket.
4. Öntse bele a benzin megmaradó részét a tartályba.
5. Óvatosan rázza össze az üzemanyag-keveréket.



VIGYÁZAT: Ne keverjen be 1 havi adagnál több üzemanyagot egyszerre.

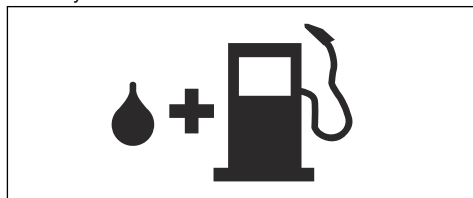
Az üzemanyagtartály feltöltése



FIGYELMEZTETÉS: Biztonsága érdekében tartsa be az alábbi eljárást.

1. Állítsa le a motort, és várja meg, amíg lehül.

2. Tartsa tisztán az üzemanyagtartály sapkájának környezetét.



3. Rázza össze a tartályt, és győződjön meg róla, hogy az üzemanyag megfelelően összekeveredett-e.
4. Lassan távolítsa el az üzemanyagtartály sapkáját, hogy kiengedje a nyomást.
5. Töltse fel az üzemanyagtartályt.



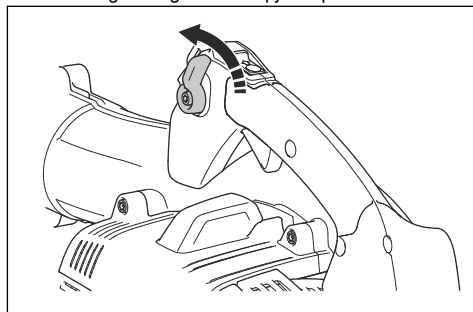
VIGYÁZAT: Ügyeljen arra, hogy ne töltsön túl sok üzemanyagot az üzemanyagtartályba. Hő hatására az üzemanyag kitérül.

6. Húzza meg óvatosan az üzemanyagtartály sapkáját.
7. Távolítsa el a kiömlött üzemanyagot a termékről és környékéről.
8. A motor beindítása előtt, vigye el a terméket a tankolás helyétől és forrásától legalább 3 m távolságra.

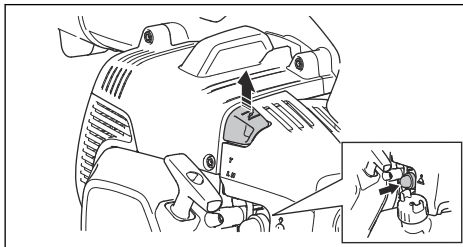
Megjegyzés: Ha szeretné megtudni, hogy az üzemanyagtartály hol van a terméken, lásd: *Bevezető 168. oldalon.*

A termék elindítása

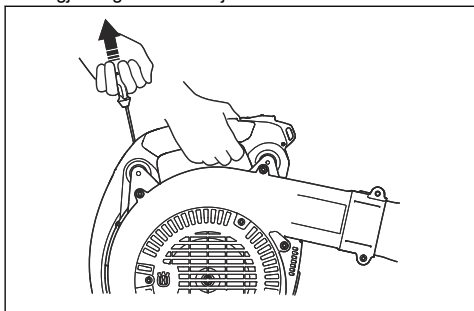
1. Állítsa a gázadagolót az alapjáratú pozícióba.



2. Ha a motor hideg, állítsa a szivatókart szivató állásba.



3. Nyomja meg többször az üzemanyagpumpát, amíg töltődni nem kezd üzemanyaggal. Az üzemanyagpumpát nem szükséges teljes mértékben megtölteni.
4. Fektesse a terméket vízszintes talajfelületre.
5. Fogja meg a terméket jobb kézzel.



VIGYÁZAT: Ne használja a lábát a termék megtartásához.

6. Húzza ki lassan az indítózsinórt, amíg ellenállást nem érez.
7. Rántsa meg az indítózsinórt a bal kezével. Húzza meg többször az indítózsinór fogantyúját, amíg a motor be nem indul.

Megjegyzés: Ne húzza ki teljesen az indítózsinór fogantyúját, és ne is engedje el azt.

8. Ha a motor hideg, állítsa a szivatókart nyitott állásba.
9. Ha a motor hideg, hagyja járni 2-3 percig, hogy bemelegedjen.



FIGYELMEZTETÉS: A motor beindításakor és a termék alapijárat

fordulatszám történő használatokor levegő távozik a készülékből. Ne engedjen másokat a termék vagy a fűvócső közelébe.

A termék működtetése

- A terméket az általános munkaidő alatt működtesse. Tartsa be a helyi előírásokat.
- Csökkentse a berendezések számát, és válassza ki a feladathoz megfelelő fordulatszámot. A szükségesnél nagyobb mennyiségű zaj és por megelőzése érdekében a motort a lehető legalacsonyabb fordulatszámra működtesse.
- Tartsa a lombfúvó fűvókáját a talaj közelében.

Megjegyzés: A Husqvarna javasolja a teljes fűvókahosszszabító használatát.

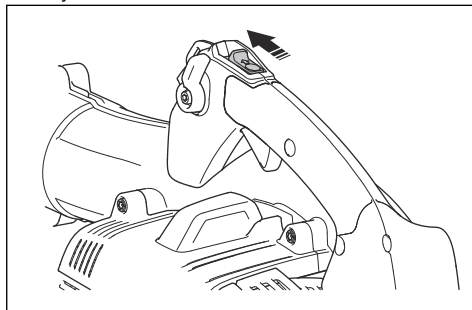
- Figyelje meg a szélirányt, és a terméket a széliránnyal megegyező irányba működtesse.
- A megfelelő kerti szerszámok segítségével lazítsa fel az anyagokat a talajról.
- A poros területeken permetezővel nedvesítse meg a felszínt. Ez csökkenti az üzemidőt.
- Használat után függőleges helyzetben tárolja a terméket.

A motor leállítása



VIGYÁZAT: A terméket ne a teljes fordulatszám mellett állítsa le.

- Állítsa a indító-/leállító kapcsolót a leállítási helyzetbe.



Karbantartás

Bevezető



FIGYELMEZTETÉS: A termék karbantartása előtt olvassa el és értelmezze a biztonsággal foglalkozó fejezetet.

Karbantartási terv

Karbantartás	Naponta	Hetente	Havonta
Tisztítsa meg a külső felületeket.	X		
Győződjön meg arról, hogy a gázadagoló megfelelően működik-e.	X		
Győződjön meg arról, hogy az indító-/leállítókapcsoló megfelelően működik-e. Lásd: <i>A be/ki kapcsoló ellenőrzése 171. oldalon.</i>	X		
Keressen szivárgást a motoron, az üzemenyagtartályon és az üzemenyag-vezetékeken. Ellenőrizze, hogy az üzemenyagszűrő nem szennyezett-e. Szükség esetén cserélje ki az üzemenyagszűrőt.	X		
Tisztítsa meg a levegőszűrőt. Szükség esetén cserélje ki a légszűrőt.	X		
Húzza meg a csavarokat és az anyákat.	X		
Ellenőrizze a levegőbeömlő nyílást, hogy nincs-e eltömődve.	X		
Keressen sérülést az indítón és az indítószínóron.		X	
Vizsgálja meg a rezgéscsillapító egységeket, hogy nem láthatók-e rajtuk sérülések, repedések vagy nincsenek-e eldeformálódva. Ügyeljen arra, hogy a rezgéscsillapító egységek megfelelően legyenek felszerelve.		X	
Ellenőrizze a gyújtógyertyát. Lásd: <i>A gyújtógyertya ellenőrzése 175. oldalon.</i>		X	
Tisztítsa ki a hűtőrendszert.		X	
Tisztítsa meg a porlasztó külsejét és környezetét.		X	
Tisztítsa meg az üzemenyagtartályt.			X
Ellenőrizze az összes kábelt és csatlakozót.			X
Vizsgálja és tisztítsa meg a hangfogó szikrafogó hálóját (katalizátor nélküli termékek esetén).		X	
Vizsgálja és tisztítsa meg a hangfogó szikrafogó hálóját (katalizátorral ellátott termékek esetén).			X
Cserélje a gyújtógyertyát. Győződjön meg róla, hogy fel van-e felszerelve zavar-szűrővel.			X

Az alapjáratú fordulatszám beállítása

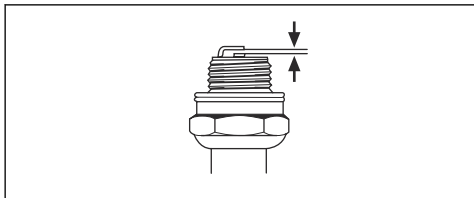
1. Győződjön meg arról, hogy a levegőszűrő tiszta-e, és hogy a fedele fel van-e szerelve.
2. Állítsa be az alapjáratú fordulatszámot az alapjárat-beállító csavarral. A termék alapjárat-beállító csavarjának helyével kapcsolatban lásd: *A termék áttekintése 168. oldalon.*

A gyújtógyertya ellenőrzése



VIGYÁZAT: Használjon ajánlott típusú gyújtógyertyát. Lásd az *A gyújtógyertya ellenőrzése 175. oldalon* fejezetet. A nem megfelelő gyújtógyertya károsíthatja a terméket.

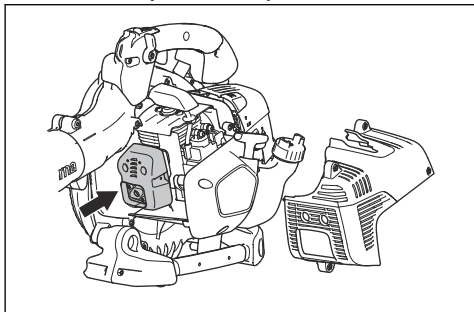
1. Állítsa le a motort, és várja meg, amíg a termék lehűl.
2. Tisztítsa meg a gyújtógyertyát, ha elszennyeződött.
3. Ellenőrizze, hogy megfelelő-e a szikraköz. Lásd: *Műszaki adatok 179. oldalon.*



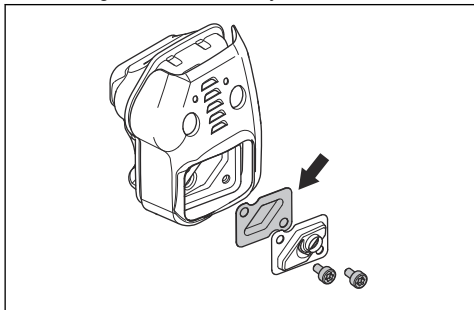
4. Havonta vagy szükség esetén ennél gyakrabban cserélje ki a gyújtógyertyát.

A hangfogó karbantartása

1. Állítsa le a motort, és várja meg, amíg a hangfogó lehűl. Használjon védőkesztyűt.



2. Vegye le a hangfogó fedelét.
3. Végezzen szemrevételezéses ellenőrzést. Ha a szikrafogó háló sérült, cserélje ki.



A hűtőrendszer ellenőrzése és tisztítása

A hűtőrendszer magában foglalja a hengeren lévő hűtőbordákat, valamint a levegőbeömlő rácsot.

1. Állítsa le a motort.
2. Ellenőrizze, hogy nem szennyeződött-e a hűtőrendszer, illetve nincs-e eltömődve. Szükség esetén tisztítsa meg a levegőbeömlő rácsot és a hűtőbordákat.



VIGYÁZAT: A szennyezett vagy eltömődött hűtőrendszer a motor túlmelegedéséhez vezethet, ami a termék sérülését okozhatja. Az eltömődött levegőbeömlő rács csökkenti a fűvőerőt.

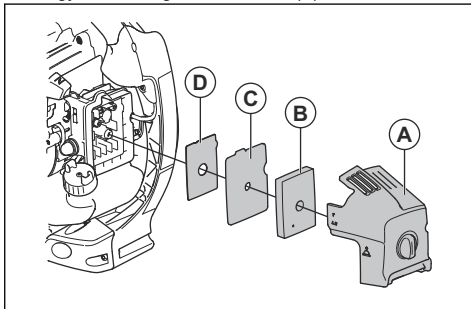
3. Ellenőrizze, hogy nem található-e sérülés a hűtőrendszeren. Ellenőrizze, hogy az alkatrészek megfelelően vannak-e rögzítve a termékhez.

A levegőszűrő megtisztítása



VIGYÁZAT: Ne használja a terméket levegőszűrő nélkül vagy sérült levegőszűrővel. A levegőben lévő por károsíthatja a motort.

1. Állítsa a szivatókart zárt szivatóállásba.
2. Vegye le a levegőszűrő fedelét (A).



3. Vegye le a levegőszűrőt (B) a szűrőkeretről.
4. Meleg szappanos víz segítségével tisztítsa meg a levegőszűrőt (B).

Megjegyzés: A hosszú ideje használatban lévő levegőszűrőt nem lehet teljesen kitisztítani. Rendszeresen cserélje ki a levegőszűrőt, és minden esetben cserélje ki a meghibásodott levegőszűrőt.

5. Kefével tisztítsa meg a levegőszűrő fedelének (A) belső felületét.
6. Távolítsa el és cserélje ki a filcűrőt (C), ha szennyezett.
7. Szerelje fel a hálót (D), a filcűrőt (C) és a levegőszűrőt (B).
8. Szerelje fel a légszűrő fedelet (A) a termékre.

Hibaelhárítás

A motort nem lehet beindítani		
Ellenőrzés	Lehetséges ok	Megoldás
Leállítógomb.	Stop helyzet	A leállítókapcsolót állítsa a start pozícióba.
Indítófog(ak).	Eltömődött vagy kopott indítófog(ak).	Állítsa be vagy cserélje ki az indítófoga(ka)t.
		Tisztítsa meg az indítófog(ak) környékét.
		Beszéljen egy hivatalos szakszervizzel.
Üzemanyagtartály.	Nem megfelelő üzemanyag.	Engedje le az üzemanyagtartályt és töltsön bele megfelelő üzemanyagot.
Porlasztó.	Az alapjárat fordulatszám beállítása.	Állítsa be az alapjárat fordulatszámot az alapjárat-beállító csavarral.
Szikrázás (nincs szikra).	A gyújtógyertya elszennyeződött vagy nedves.	Bizonyosodjon meg róla, hogy a gyújtógyertya száraz és tiszta.
	A gyújtógyertya szikraköze nem megfelelő.	Tisztítsa meg a gyújtógyertyát. Ellenőrizze, hogy megfelelő-e a szikraköz. Ellenőrizze, hogy a gyújtógyertyának van-e zavarászűrője.
		A megfelelő szikraközért tekintse át a műszaki adatokat.
Gyújtógyertya.	A gyújtógyertya nincs megfelelően meghúzva.	Húzza meg a gyújtógyertyát.
	A gyújtógyertya elektródáin idegen anyagok találhatók.	gondoskodjon a megfelelő üzemanyag-keverékről;
		gondoskodjon a levegőszűrő tisztaságáról.

A motor elindul, de leáll		
Ellenőrzés	Lehetséges ok	Megoldás
Üzemanyagtartály.	Nem megfelelő üzemanyag.	Engedje le, majd használjon megfelelő üzemanyagot.
Porlasztó.	A motor nem működik megfelelően alapjárat fordulatszámán.	Forduljon az illetékes szakszervizhez.

A motor elindul, de leáll		
Ellenőrzés	Lehetséges ok	Megoldás
Levegőszűrő.	Eltömődött a légszűrő.	Tisztítsa meg a levegőszűrőt.

Szállítás és raktározás



FIGYELMEZTETÉS: A tűzveszély elkerülése érdekében ügyeljen arra, hogy szállítás vagy tárolás közben ne legyen szivárgás vagy füst. Ügyeljen arra, hogy ne legyen szikra- vagy tűzveszély.

- Szállítás vagy hosszú távú tárolás előtt ürítse ki az üzemanyagtartályt. Nyomja meg az üzemanyagpumpát, és győződjön meg arról, hogy minden üzemanyagot eltávolított. A felesleges üzemanyagot adja le egy erre kijelölt gyűjtőpontra.
- Hosszú távú tárolás előtt tisztítsa meg a terméket és végeztesse rajta teljes körű szervizelést.
- Távolítsa el a gyújtógyertyát, és öntsön nagyjából 15 ml kétütemű olajat a hengerbe. Forgassa meg háromszor a terméket, majd helyezze vissza a gyújtógyertyát.
- Szállítás közben rögzítse biztonságosan a terméket a járműhöz.
- Tartsa a terméket száraz, hűvös és tiszta helyen, ahol megfelelő a légáramlás. A termék gyermekektől elzárva tartandó.

Műszaki adatok

Műszaki adatok

	Husqvarna 525BX
Motor	
Hengerűrtartalom, cm ³	25,4
Üresjárat fordulatszám, ford/perc	3000
Katalizátor	Igen
Gyújtásrendszer	
Gyújtógyertya	NGK BPMR8Y
Elektródahézag, mm	0,6-0,7
Üzemanyag- és olajozási rendszer	
Üzemanyagtartály űrtartalma, l / cm ³	0,45 / 450
Tömeg	
Tömeg üzemanyag nélkül, kg	4,4
Zajkibocsátás³⁷	
Hangteljesítményszint, mért dB (A) érték	104
Hangteljesítményszint, garantált, L _{WA} dB (A)	106
Zajszintek³⁸	
A kezelő hallószervére gyakorolt, az EN15503 szabvány szerint mért hangnyomásszint, dB(A):	
Kerek fűvókával	91
Lapos fűvókával	92
Rezgésszintek³⁹	
Az EN 15503 szerint mért ekvivalens rezgésszintek (a _{hv,eq}) a fogantyún, m/s ²	
Kerek fűvókával	1,2
Lapos fűvókával	2,0
Ventilátor teljesítménye	
Max. levegősebesség kerek fűvókával (m/s)	70

³⁷ A környezetben a 2000/14/EK sz. EK irányelvvel összhangban hangteljesítményként mért zajkibocsátás (L_{WA}). A gép jelentésben szereplő hangteljesítményszintjét a legmagasabb szintet produkáló eredeti lombfűvő-fűvókával mérték. A garantált és a mért hangteljesítmény közötti különbségnek az az oka, hogy a garantált hangteljesítmény tartalmazza a mérési eredményben lévő ingadozást és az azonos modellű gépek közti eltéréseket is a 2000/14/EK jelű irányelv értelmében.

³⁸ A zajnyomásszintre vonatkozó jelentési adatok az 1,0 dB (A) tipikus statisztikus ingadozásával (szórásával) rendelkeznek.

³⁹ A rezgésszintre vonatkozó jelentési adatok az 1,0 m/s² tipikus statisztikus ingadozásával (szórásával) rendelkeznek.

	Husqvarna 525BX
Max. levegősebesség lombfúvó-fúvókával, m/s	86
Légáram kerek fúvókával, m ³ /perc	13
Légáram lapos fúvókával, m ³ /perc	10

EK megfelelőségi nyilatkozat

EK megfelelőségi nyilatkozat

Husqvarna AB, SE-561 82 Husqvarna, Svédország, tel: +46-36-146500, kijelenti, hogy azok a **Husqvarna 525BX** lombfűvók, amelyek a 2016 évtől kezdve kaptak sorozatszámot (az év jól látható a típustáblán, a sorozatszám előtt), megfelelnek az EGK TANÁCSA következő IRÁNYELVEINEK:

- a 2006. május 17-i, „gépekre vonatkozó” irányelv **2006/42/EK**.
- a 2014. február 26-i, „elektromágneses megfelelőséggel kapcsolatos” irányelv **2014/30/EU**.
- a 2000. május 8-i, „környezeti zajkibocsátással kapcsolatos” irányelv **2000/14/EK**. Megfeleléségi felmérés az V. melléklet szerint. A zajszennyezésre vonatkozó további információkat lásd: *Műszaki adatok 179. oldalon*.
- a 2011. június 8-i, „az egyes veszélyes anyagok elektromos és elektronikus berendezésekben való alkalmazásának korlátozására” vonatkozó irányelv **2011/65/EU**.

A következő szabványok kerültek alkalmazásra:

EN ISO 12100-2/A1:2009, CISPR 12:2009, EN 15503:2009/A2:2015, EN 50581:2012

ARISE SMP Svensk Maskinprovning AB, önkéntes típusvizsgálást végzett a Husqvarna AB nevében. A tanúsítvány száma: **SEC/14/2423** - 525BX

Husqvarna, 2020-01-01



Per Gustafsson, Fejlesztési Igazgató (A Husqvarna AB technikai dokumentációért felelős hivatalos képviselője)

Sommario

Introduzione.....	182	Ricerca dei guasti.....	191
Sicurezza.....	183	Trasporto e rimessaggio.....	192
Montaggio.....	186	Dati tecnici.....	193
Utilizzo.....	186	Dichiarazione di conformità CE.....	195
Manutenzione.....	189		

Introduzione

Descrizione del prodotto

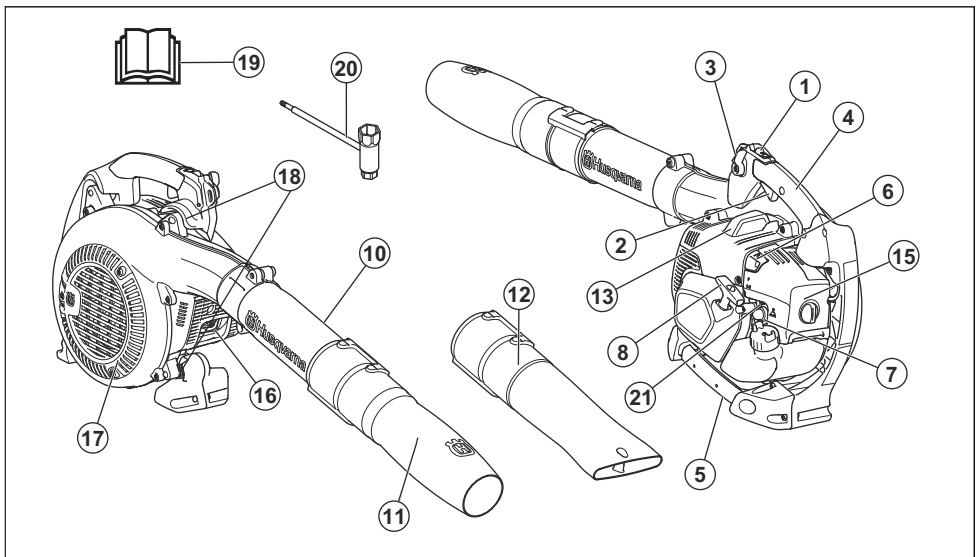
Il prodotto è un soffiatore con motore a combustione.

Procediamo costantemente allo sviluppo dei nostri prodotti e ci riserviamo quindi il diritto di apportare, senza alcun preavviso, modifiche riguardanti fra l'altro la forma e l'aspetto esteriore.

Uso previsto

Utilizzare il prodotto per soffiare foglie e altro materiale indesiderato da aree come prati, vialetti e strade asfaltate.

Panoramica del prodotto



1. Interruttore di avviamento/arresto
2. Grilletto dell'acceleratore
3. Comando dell'acceleratore
4. Impugnatura di comando
5. Impugnatura
6. Comando della valvola dell'aria
7. Bulbo di adescamento
8. Impugnatura della fune di avviamento
9. Vite per morsetto
10. Tubo intermedio
11. Ugello tondo
12. Ugello piatto
13. Candela
14. Tappo del serbatoio del carburante
15. Filtro dell'aria
16. Marmitta
17. Retina della presa dell'aria
18. Sistema di smorzamento delle vibrazioni
19. Manuale operatore
20. Chiave universale

21. Vite di regolazione del regime minimo

Simboli riportati sul prodotto



AVVERTENZA! questo prodotto può essere pericoloso e causare lesioni gravi o mortali all'operatore o a terzi. Prestare attenzione e utilizzare il prodotto correttamente.



Prima dell'uso, leggere attentamente il manuale operatore e accertarsi di aver compreso le istruzioni.



Utilizzare cuffie protettive e protezione per gli occhi omologate. Se l'ambiente contiene polvere, utilizzare una maschera di ventilazione.



Utilizzare guanti protettivi omologati.



Il presente prodotto è conforme alle direttive CEE vigenti.



Miscela di benzina e olio per motori a due tempi.



Primer del carburante.



Aria, posizione aperta.



Aria, posizione chiusa.



Emissioni di rumore nell'ambiente in conformità alla Direttiva Europea 2000/14/CE e alla norma del Nuovo Galles del Sud in materia di protezione dell'ambiente "Protection of the Environment Operations (Noise Control) Regulation

2017". I dati sulle emissioni di rumore sono riportati sull'etichetta della macchina e nel capitolo Dati tecnici.



Fare attenzione agli oggetti volanti. Gli oggetti proiettati possono causare lesioni gravi. Usare sempre abbigliamento protettivo personale.



Mantenere una distanza di sicurezza di almeno 15 m da persone o animali.

aaaaassxxxx

La targhetta dati di funzionamento riporta il numero di serie. **aaaa** è l'anno di produzione e **ss** è la settimana di produzione.

Nota: I restanti simboli/decalcomanie sul prodotto riguardano particolari requisiti necessari per ottenere la certificazione in altre aree commerciali.

Emissioni Euro V



AVVERTENZA: La manomissione del motore rende nulla l'omologazione UE del prodotto.

Responsabilità del prodotto

Come indicato nelle leggi vigenti in materia di responsabilità obbligatoria sul prodotto, non siamo responsabili per eventuali danni causati dal nostro prodotto se:

- Il prodotto viene riparato in modo errato.
- Il prodotto viene riparato con parti che non provengono o non sono omologate dal produttore.
- Il prodotto contiene un accessorio che non proviene o non è omologato dal produttore.
- Il prodotto non viene riparato presso un centro di assistenza autorizzato o presso un'autorità competente.

Sicurezza

Definizioni di sicurezza

Le definizioni riportate di seguito forniscono il livello di gravità per ciascuna delle parole di avvertenza.



AVVERTENZA: Lesioni alle persone.



ATTENZIONE: Danni al prodotto.

Nota: Queste informazioni rendono più semplice l'uso del prodotto.

Istruzioni di sicurezza generali



AVVERTENZA: leggere le seguenti avvertenze prima di utilizzare il prodotto.

- Non apportare modifiche al prodotto senza l'approvazione del produttore e utilizzare sempre accessori originali. Le modifiche e/o gli accessori non approvati possono causare lesioni gravi o la morte dell'operatore o di terzi.
- Non utilizzare un prodotto danneggiato. Eseguire i controlli di sicurezza e gli interventi di manutenzione indicati nel manuale dell'operatore. Tutti gli altri interventi di manutenzione devono essere affidati a personale di assistenza autorizzato.
- Tutti gli interventi di assistenza e riparazione devono essere eseguiti da personale di assistenza autorizzato. Se una parte del prodotto è difettosa, rivolgersi al rivenditore autorizzato all'assistenza.

Istruzioni di sicurezza per l'utilizzo



AVVERTENZA: leggere le seguenti avvertenze prima di utilizzare il prodotto.

- questo prodotto può essere pericoloso e causare lesioni gravi o mortali all'operatore o a terzi. Prestare attenzione e utilizzare il prodotto correttamente.
- Eseguire un controllo del prodotto prima dell'utilizzo. Fare riferimento a *Manutenzione alla pagina 189*.
- Non utilizzare il prodotto quando si è stanchi, malati o sotto gli effetti di alcool o farmaci in grado di alterare la vista, la capacità di valutazione o la coordinazione.
- Montare tutti i coperchi e le protezioni prima dell'uso. Per evitare scosse elettriche, assicurarsi che il cappuccio della candela e il cavo di accensione non siano danneggiati.
- Non toccare mai la candela o il cavo di accensione quando il motore è in moto.
- Mantenere una distanza di sicurezza di almeno 15 m da persone o animali. Se persone, bambini o animali si trovano a una distanza inferiore a 15 m, arrestare il prodotto. Indirizzare il prodotto lontano da persone, animali, finestre aperte e altri oggetti.
- Non lasciare che i bambini utilizzino il prodotto. Assicurarsi che tutti gli operatori leggano e comprendano il contenuto del presente manuale dell'operatore.
- Tenere le mani o altri oggetti lontani dall'alloggiamento del soffiatore durante il funzionamento. Le parti rotanti possono provocare gravi lesioni.
- Non utilizzare il prodotto se la retina della presa dell'aria non è installata. Assicurarsi sempre che la retina della presa dell'aria sia installata e non sia danneggiata prima dell'uso.

- In caso di emergenza, rilasciare la cinghia in vita e la cintura toracica del cinghiaggio e lasciare cadere il prodotto.
- Rispettare le normative e le direttive nazionali.
- Tenere il corpo lontano dalle superfici calde.
- Vibrazioni eccessive possono causare danni alla circolazione o al sistema nervoso. Rivolgersi al medico in caso di sintomi, ad esempio intorpidimento, perdita di sensibilità, formicolio, pizzicore, dolore, perdita di forza o alterazioni del colore della pelle di dita, mani o polsi.
- Fare attenzione agli oggetti volanti. Gli oggetti proiettati possono causare lesioni gravi.
- Non utilizzare il prodotto in condizioni atmosferiche avverse, ad esempio in caso di nebbia, pioggia, vento forte e gelo. Lavorare in condizioni atmosferiche avverse può causare stanchezza e condizioni pericolose.
- Assicurarsi di potersi muovere e mantenere una posizione stabile. Verificare l'eventuale presenza di ostacoli, ad esempio rocce, nell'area di lavoro. Prestare attenzione se si utilizza il prodotto su pendenze.
- Non poggiare il prodotto a terra con il motore acceso.
- Non utilizzare il prodotto da posizioni elevate, ad esempio su una scala.
- Assicurarsi di essere a una distanza tale da poter essere sempre ascoltati in caso di incidente.
- Assicurarsi che l'uscita dei fumi di scarico non sia ostruita. Per evitare di danneggiare il prodotto, mantenere gli ostacoli a una distanza minima di 50 cm dall'uscita dei fumi di scarico.
- Non avviare il prodotto in ambienti chiusi, in punti dove la circolazione dell'aria è insufficiente o vicino a materiale infiammabile. I gas di scarico del motore contengono monossido di carbonio, che può provocare intossicazione. I gas di scarico sono molto caldi e possono contenere scintille in grado di provocare incendi.

Dispositivi di protezione individuale



AVVERTENZA: Leggere le seguenti avvertenze prima di utilizzare il prodotto.

- Usare sempre abbigliamento protettivo personale omologato quando si utilizza il prodotto. I dispositivi di protezione individuale non sono in grado di prevenire completamente le lesioni, ma possono ridurne la gravità. Rivolgersi al rivenditore per maggiori informazioni.
- Usare cuffie protettive omologate. Una lunga esposizione al rumore può comportare lesioni permanenti all'udito.
- Utilizzare protezioni per gli occhi omologate. Con l'uso della visiera è necessario anche l'uso di occhiali protettivi omologati. Con il termine occhiali protettivi omologati si intendono occhiali che siano

conformi alle norme ANSI Z87.1 per gli USA o EN 166 per i paesi EU.

- Utilizzare guanti protettivi durante il funzionamento e la manutenzione.
- Utilizzare stivali o scarpe protettive con soles antiscivolo.
- Utilizzare indumenti in tessuto resistente e lunghi fino ai piedi. Non utilizzare gioielli o scarpe aperte. Per ridurre il rischio di lesioni, l'abbigliamento deve essere aderente ma non deve limitare i movimenti. Posizionare i capelli sopra le spalle per evitare che entrino a contatto con parti rotanti o si incastrino sui rami.
- Utilizzare mascherine quando esiste il rischio di inalare la polvere.
- Tenere a portata di mano la cassetta di primo soccorso.

Dispositivi di sicurezza sul prodotto



AVVERTENZA: Leggere le seguenti avvertenze prima di utilizzare il prodotto.

- Non utilizzare un prodotto con dispositivi di sicurezza difettosi.
- Effettuare regolarmente un controllo dei dispositivi di sicurezza. Fare riferimento a *Manutenzione alla pagina 189*.
- Se i dispositivi di sicurezza sono difettosi, rivolgersi al rivenditore Husqvarna.

Controllo della marmitta



AVVERTENZA: Non utilizzare un prodotto con marmitta difettosa.



AVVERTENZA: La marmitta si scalda notevolmente durante e dopo l'utilizzo, anche quando il motore è al regime minimo. Usare guanti protettivi per evitare ustioni.



AVVERTENZA: L'interno della marmitta contiene sostanze chimiche che potrebbero essere cancerogene. Non toccare la marmitta se è danneggiata.

- Ispezionare periodicamente la marmitta. La marmitta assicura il minimo livello acustico e allontana i fumi di scarico dall'operatore. Fare riferimento a *Manutenzione della marmitta alla pagina 190*.

Controllo del sistema di smorzamento delle vibrazioni

1. Accertarsi che non vi siano crepe o deformazioni sulle unità di smorzamento delle vibrazioni.

2. Controllare che le unità di smorzamento delle vibrazioni siano correttamente fissate al gruppo motore e all'impugnatura.

Per le informazioni su dove si trova il sistema di smorzamento delle vibrazioni sul prodotto, fare riferimento a *Panoramica del prodotto alla pagina 182*.

Controllo dell'interruttore di avviamento/arresto

1. L'interruttore di avviamento/arresto serve ad arrestare il motore.
2. Assicurarsi che il motore si arresti completamente.

Per individuare l'interruttore di avviamento/arresto del prodotto, fare riferimento a *Panoramica del prodotto alla pagina 182*.

Sicurezza nell'uso del carburante



AVVERTENZA: leggere le seguenti avvertenze prima di utilizzare il prodotto.

- Non miscelare o aggiungere il carburante in un ambiente chiuso o in prossimità di una fonte di calore.
- Non avviare il prodotto se è presente olio o carburante sul prodotto stesso o sul proprio corpo.
- Non avviare il prodotto se il motore presenta una perdita di carburante. Esaminare regolarmente il motore per verificare la presenza di eventuali perdite di carburante.
- Prestare sempre attenzione al carburante. Il carburante è infiammabile e i gas di scarico, essendo esplosivi, possono causare lesioni anche mortali.
- Non respirare i fumi del carburante perché possono causare lesioni. Accertarsi che ci sia un flusso d'aria sufficiente.
- Non fumare in prossimità del carburante o del motore.
- Non posizionare il prodotto o una tanica di carburante vicino a fiamme libere, scintille o fiamme pilota.
- Utilizzare sempre contenitori approvati per la conservazione e il trasporto del carburante.

Istruzioni di sicurezza per la manutenzione



AVVERTENZA: Leggere le seguenti avvertenze prima di utilizzare il prodotto.

- Arrestare il motore, rimuovere la candela e lasciare raffreddare il motore prima di eseguire interventi di manutenzione e montaggio.
- Una retina parascintille bloccata provoca il surriscaldamento e danni al motore.

- Se la retina si ostruisce spesso, le prestazioni del convertitore catalitico potrebbero essere calate. Per un'ispezione della marmitta, contattare l'assistenza.

Montaggio

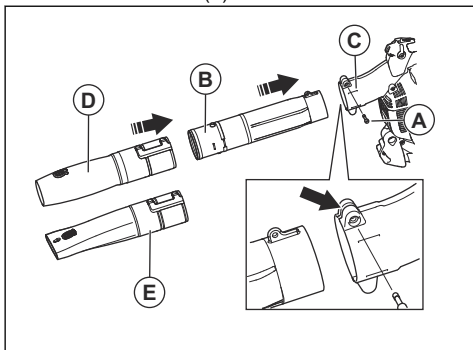
Introduzione



AVVERTENZA: Leggere e comprendere il capitolo sulla sicurezza prima di montare il prodotto.

Per assemblare il tubo del soffiatore

1. Allentare la fascetta (A).



2. Installare il tubo intermedio (B) sul tubo del soffiatore (C).
3. Installare e serrare la fascetta (A).
4. Installare l'ugello tondo (D) o l'ugello piatto (E) sul tubo intermedio.

Utilizzo

Introduzione



AVVERTENZA: Leggere e comprendere il capitolo sulla sicurezza prima di utilizzare la macchina.

Carburante

Questo prodotto è dotato di un motore a due tempi.



ATTENZIONE: Un carburante di tipo errato può causare danni al motore. Utilizzare una miscela di benzina e olio per motori a due tempi.

Carburante premiscelato

- Utilizzare carburante alchilato premiscelato Husqvarna per garantire le migliori prestazioni e prolungare la durata del motore. Questo carburante contiene sostanze chimiche meno pericolose rispetto al normale carburante, che riduce le emissioni di scarico pericolose. Con questo carburante, che mantiene i componenti del motore più puliti, la quantità di residui dopo la combustione è inferiore.

Per miscelare il carburante

Benzina

- Utilizzare benzina senza piombo di buona qualità con massimo il 10% di etanolo.



ATTENZIONE: Non utilizzare benzina con un numero di ottani inferiore a 90 RON/87 AKI. Un numero inferiore di ottani può causare il battito in testa del motore, che provoca danni al motore.

Olio per motori a due tempi

- Per risultati e prestazioni ottimali, utilizzare l'olio per motori a due tempi Husqvarna.
- Se l'olio per motori a due tempi Husqvarna non è disponibile, utilizzare un olio per motori a due tempi raffreddati ad aria di buona qualità. Rivolgetevi al vostro rivenditore addetto all'assistenza per selezionare il tipo di olio.



ATTENZIONE: Non usare mai olio per motori fuoribordo a due tempi raffreddati

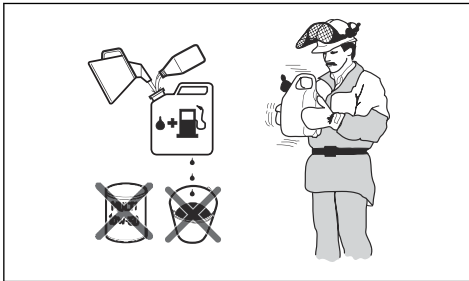
ad acqua. Non utilizzare olio per motori a quattro tempi.

Per miscelare benzina e olio per motori a due tempi

Benzina, litri	Olio a due tempi, litri
	2% (50:1)
5	0,10
10	0,20
15	0,30
20	0,40



ATTENZIONE: Piccoli errori possono influenzare drasticamente il rapporto della miscela quando si miscelano piccole quantità di carburante. Misurare con precisione la quantità d'olio e accertarsi di ottenere la giusta miscela.



1. Riempire metà della quantità di benzina in un contenitore pulito per carburante.
2. Aggiungere la quantità totale di olio.
3. Mescolare la miscela.
4. Aggiungere la quantità residua di benzina nel contenitore.
5. Mescolare agitando con cura la miscela di carburante.



ATTENZIONE: Non mescolare il carburante più di 1 volta al mese.

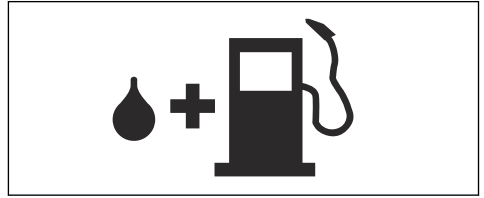
Rifornimento di carburante



AVVERTENZA: Attenersi alla procedura indicata di seguito per la propria sicurezza.

1. Arrestare il motore e farlo raffreddare.

2. Pulire l'area intorno al tappo del serbatoio del carburante.



3. Agitare il contenitore e assicurarsi che il carburante sia ben mescolato.
4. Rimuovere lentamente il tappo del serbatoio del carburante per rilasciare la pressione.
5. Riempire il serbatoio del carburante.



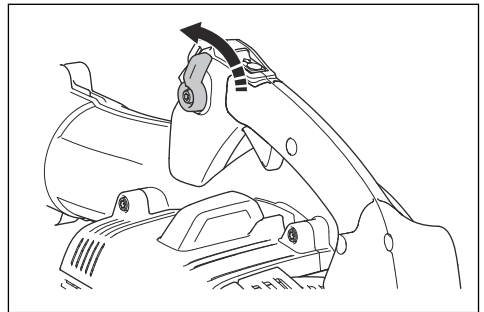
ATTENZIONE: Assicurarsi che nel serbatoio non vi sia una quantità eccessiva di carburante. Il carburante si espande quando si scalda.

6. Stringere con cura il tappo del serbatoio del carburante.
7. Pulire eventuale carburante fuoriuscito sul prodotto e intorno ad esso.
8. Spostare il prodotto ad almeno 3 m/10 ft dal luogo e dalla fonte di rifornimento prima di avviare il motore.

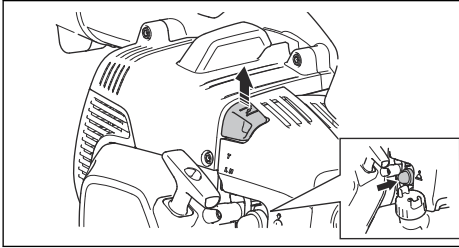
Nota: Per individuare il serbatoio del carburante sul prodotto, fare riferimento a *Introduzione alla pagina 182*.

Avviamento del prodotto

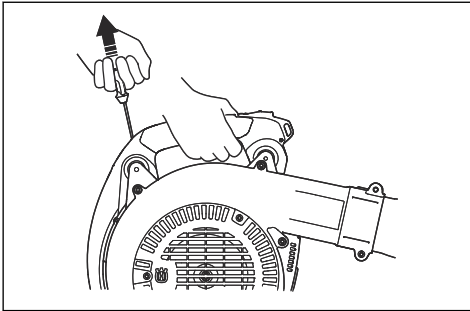
1. Portare il comando dell'acceleratore in posizione di minimo.



2. Se il motore è freddo premere il comando della valvola dell'aria nella posizione di starter chiusa.



3. Premere più volte il bulbo del primer fino a quando il bulbo non comincia a riempirsi di carburante. Non è necessario riempire il primer del carburante completamente.
4. Poggiare il prodotto su un terreno piano.
5. Afferrare il prodotto con la mano destra.



ATTENZIONE: Non utilizzare i piedi per bloccare il prodotto.

6. Tirare lentamente l'impugnatura della fune di avviamento finché non si avverte una resistenza.
7. Tirare rapidamente l'impugnatura della fune di avviamento con la mano destra. Tirare più volte l'impugnatura della fune di avviamento fino all'avviamento del motore.

Nota: Non tirare fino in fondo l'impugnatura della fune di avviamento e non lasciarla.

8. Se il motore è freddo regolare il comando della valvola dell'aria in posizione aperta.
9. Se il motore è freddo, lasciarlo girare per 2-3 minuti per riscaldarlo prima dell'utilizzo.



AVVERTENZA: L'aria viene rilasciata all'avviamento del motore e quando il prodotto è impostato al regime minimo. Non consentire a nessuno di avvicinarsi al prodotto o al tubo del soffiatore.

Utilizzo del prodotto

- Utilizzare il prodotto nelle normali ore di lavoro. Rispettare le norme locali.
- Diminuire l'attrezzatura e selezionare la velocità corretta per l'attività. Utilizzare la posizione minima dell'acceleratore per evitare l'eccessiva formazione di rumori e polvere.
- Mantenere l'ugello del soffiatore vicino al suolo.

Nota: Husqvarna consiglia di allungare completamente l'ugello del soffiatore.

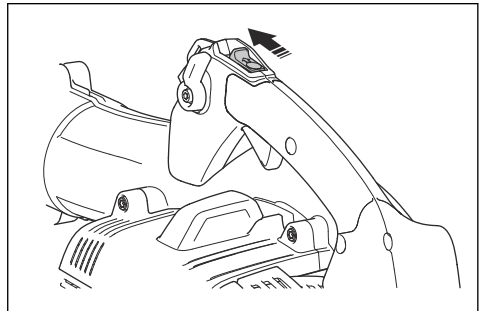
- Prendere nota della direzione del vento e azionare il prodotto nella direzione del vento.
- Utilizzare gli attrezzi da giardino adatti per rimuovere il materiale dal suolo.
- In aree polverose, utilizzare lo spray per bagnare l'area. In questo modo si riduce il tempo di utilizzo.
- Dopo l'uso, conservare il prodotto in posizione verticale.

Arresto del motore



ATTENZIONE: Non arrestare il prodotto se è in funzione alla massima velocità.

- Portare l'interruttore di avviamento/arresto in posizione di arresto.



Manutenzione

Introduzione



AVVERTENZA: Leggere attentamente il capitolo sulla sicurezza prima di eseguire la manutenzione del prodotto.

Programma di manutenzione

Manutenzione	Giornaliera	Una volta a settimana	Una volta al mese
Pulire le superfici esterne.	X		
Assicurarsi che il comando dell'acceleratore funzioni correttamente.	X		
Assicurarsi che l'interruttore di avviamento/arresto funzioni correttamente. Fare riferimento a <i>Controllo dell'interruttore di avviamento/arresto alla pagina 185</i> .	X		
Esaminare il motore, il serbatoio del carburante e le tubazioni del carburante per accertare eventuali perdite. Esaminare il filtro del carburante per verificare l'eventuale contaminazione. Se necessario, sostituire il filtro del carburante.	X		
Pulire il filtro dell'aria. Se necessario, sostituire il filtro dell'aria.	X		
Serrare dadi e viti.	X		
Esaminare la presa d'aria e accertarsi che non sia danneggiata.	X		
Esaminare il motorino di avviamento e la corda di avviamento per rilevare eventuali danni.		X	
Controllare se le unità antivibranti presentano danni, incrinature o deformazioni. Assicurarsi che le unità antivibranti siano correttamente installate.		X	
Esaminare la candela. Fare riferimento a <i>Controllo della candela alla pagina 190</i> .		X	
Pulire il sistema di raffreddamento.		X	
Pulire la superficie esterna del carburatore e la zona circostante.		X	
Pulire il serbatoio carburante.			X
Esaminare tutti i cavi e i raccordi.			X
Esaminare e pulire la retina parascintille sulla marmitta (per i prodotti senza convertitore catalitico).		X	
Esaminare e pulire la retina parascintille sulla marmitta (per i prodotti con convertitore catalitico).			X
Sostituire la candela. Assicurarsi che sia collegata a un dispositivo di soppressione.			X

Regolazione del regime minimo

1. Verificare che il filtro dell'aria sia pulito e che il relativo coperchio sia installato.

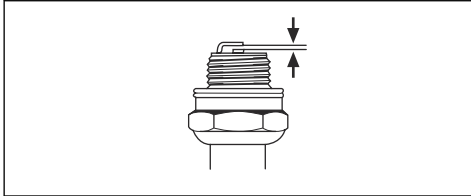
2. Regolare il regime minimo con la vite corrispondente. Per identificare la posizione della vite di regolazione del minimo sul prodotto, fare riferimento a *Panoramica del prodotto alla pagina 182*.

Controllo della candela



ATTENZIONE: Utilizzare la candela raccomandata. Fare riferimento a *Controllo della candela alla pagina 190*. Una candela errata può danneggiare il prodotto.

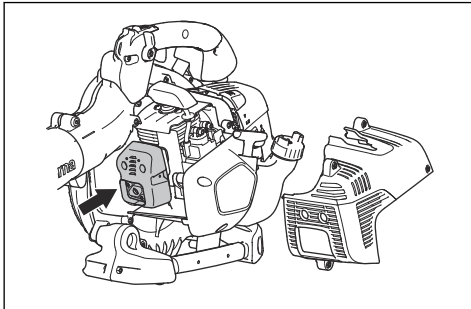
1. Arrestare il motore e far raffreddare il prodotto.
2. Pulire la candela se sporca.
3. Assicurarsi che la distanza tra gli elettrodi sia corretta. Fare riferimento a *Dati tecnici alla pagina 193*.



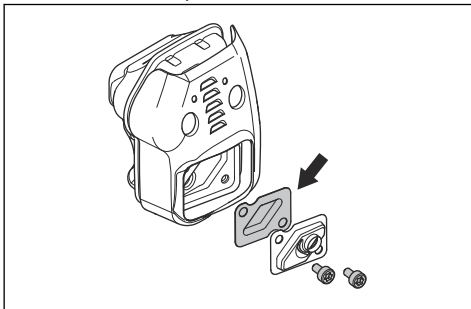
4. Sostituire la candela almeno una volta al mese o più frequentemente, se necessario.

Manutenzione della marmitta

1. Arrestare il motore e far raffreddare la marmitta. Usare guanti protettivi.



2. Rimuovere il coperchio della marmitta.
3. Effettuare un controllo visivo. Se danneggiata, sostituire la retina parascintille.



Ispezione e pulizia del sistema di raffreddamento

Il sistema di raffreddamento comprende le alette sul cilindro e la retina della presa dell'aria.

1. Spegnerne il motore.
2. Accertarsi che il sistema di raffreddamento non sia sporco o ostruito. Se necessario, pulire la retina della presa dell'aria e le alette di raffreddamento.



ATTENZIONE: Se il sistema di raffreddamento è sporco o ostruito, può surriscaldare il motore, con conseguenti danni al prodotto. Una retina della presa dell'aria ostruita riduce la forza di soffiaggio.

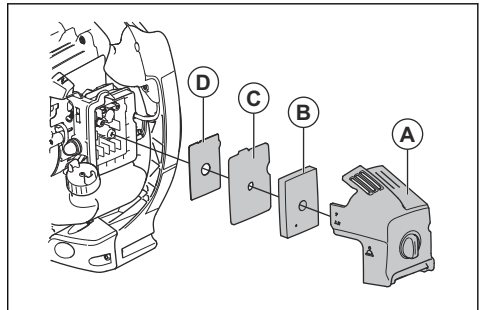
3. Esaminare il sistema di raffreddamento per verificare la presenza di eventuali danni. Assicurarsi che i componenti siano fissati correttamente al prodotto.

Pulizia del filtro dell'aria



ATTENZIONE: Non utilizzare il prodotto senza il filtro dell'aria collegato o con un filtro dell'aria danneggiato. La polvere presente nell'aria può danneggiare il motore.

1. Portare il comando della valvola dell'aria nella posizione di starter chiusa.
2. Rimuovere il coperchio del filtro dell'aria (A).



3. Rimuovere il filtro dell'aria (B) dalla sua sede.
4. Pulire il filtro dell'aria (B) con acqua calda e sapone.

Nota: Un filtro dell'aria utilizzato per un lungo periodo non può essere pulito completamente. Sostituire regolarmente il filtro dell'aria e sostituire sempre un filtro aria difettoso.

5. Pulire la superficie interna del coperchio del filtro dell'aria (A) con una spazzola.
6. Rimuovere e sostituire il filtro in feltro (C) se sporco.
7. Installare la retina (D), il filtro in feltro (C) e il filtro dell'aria (B).

8. Installare il coperchio del filtro dell'aria (A) sul prodotto.

Ricerca dei guasti

Non è possibile avviare il motore.		
Controllo	Possibile causa	Soluzione
Pulsante di arresto	Posizione di arresto	Spostare l'interruttore di arresto in posizione di avviamento.
Ganci di avviamento.	Ganci di avviamento bloccati o usurati.	Regolare o sostituire i ganci di avviamento.
		Pulire la zona intorno ai ganci di avviamento.
		Rivolgersi a un centro assistenza autorizzato.
Serbatoio carburante.	Tipo di carburante non adatto.	Svuotare il serbatoio del carburante e usare il carburante corretto.
Carburatore.	Regolazione del regime minimo.	Registrare il minimo con la vite di regolazione del regime minimo.
Accensione (nessuna scintilla).	Candela di accensione sporca o bagnata.	Accertarsi che la candela sia asciutta e pulita.
	La distanza tra gli elettrodi sulla candela non è corretta.	Pulire la candela. Assicurarsi che la distanza tra gli elettrodi sia corretta. Accertarsi che la candela sia montata con un dispositivo di soppressione.
		Fare riferimento ai dati tecnici per informazioni sulla corretta distanza tra gli elettrodi.
Candela.	Candela allentata.	Serrare la candela.
	Sugli elettrodi delle candele è presente materiale indesiderato.	Accertarsi che la miscela sia corretta.
		Accertarsi che il filtro dell'aria sia pulito.

Il motore si avvia ma si arresta nuovamente		
Controllo	Possibile causa	Soluzione
Serbatoio carburante.	Tipo di carburante non adatto.	Svuotarlo e utilizzare un carburante corretto.

Il motore si avvia ma si arresta nuovamente		
Controllo	Possibile causa	Soluzione
Carburatore.	Il motore non funziona correttamente al regime minimo.	Contattare il centro di assistenza.
Filtro dell'aria.	Filtro dell'aria intasato.	Pulire il filtro dell'aria.

Trasporto e rimessaggio



AVVERTENZA: Per evitare il rischio di incendio, assicurarsi che non vi siano perdite o fumi durante il trasporto o lo stoccaggio. Assicurarsi che non vi sia alcun rischio di scintille o incendio.

- Svuotare il serbatoio del carburante prima del trasporto o di lunghi periodi di stoccaggio. Premere il bulbo del primer per assicurarsi che tutto il carburante venga rimosso. Smaltire il carburante presso un apposito centro di smaltimento.
- Accertarsi che il prodotto sia pulito e che un intervento di assistenza completo venga eseguito prima dello stoccaggio a lungo termine.
- Rimuovere la candela e versare nel cilindro circa 15 ml di olio per motore a 2 tempi. Ruotare il prodotto 3 volte e installare nuovamente la candela.
- Bloccare il prodotto in modo sicuro sul veicolo durante il trasporto.
- Mantenere il prodotto in un luogo asciutto e pulito provvisto di una buona circolazione dell'aria. Tenere il prodotto fuori dalla portata dei bambini.

Dati tecnici

Dati tecnici

	Husqvarna 525BX
Motore	
Cilindrata, cm ³	25,4
Regime minimo, giri/min	3000
Convertitore catalitico	Sì
Impianto di accensione	
Candela	NGK BPMR8Y
Distanza tra gli elettrodi, mm	0,6-0,7
Carburante e sistema di lubrificazione	
Capacità del serbatoio del carburante, l / cm ³	0,45 / 450
Peso	
Peso, escluso carburante, kg	4,4
Emissioni di rumore⁴⁰	
Livello acustico, misurato dB (A)	104
Livello acustico, garantito L _{WA} dB(A)	106
Livelli di rumorosità⁴¹	
Livello di pressione acustica equivalente, all'udito dell'utente, misurato secondo EN15503 dB(A):	
Con ugello tondo in dotazione	91
Con ugello piatto in dotazione	92
Livelli di vibrazioni⁴²	
Livelli di vibrazione equivalenti (a _{h_v,eq}) sulle impugnature, misurati in base alle norme EN 15503, m/s ² :	
Con ugello tondo in dotazione	1,2
Con ugello piatto in dotazione	2,0
Prestazioni della ventola	
Velocità massima dell'aria con ugello tondo, m/s	70

⁴⁰ Emissioni di rumore nell'ambiente misurate come potenza sonora (L_{WA}) in base alla direttiva CE 2000/14/CE. Il livello di potenza acustica riportato per il macchinario è stato misurato con il l'ugello del soffiatore originale che emette il livello massimo. La differenza tra potenza acustica misurata e garantita è che la potenza acustica garantita comprende anche la dispersione nel risultato di misurazione e le variazioni tra le diverse macchine dello stesso modello come da Direttiva 2000/14/CE.

⁴¹ I dati riportati per il livello di pressione acustica hanno una dispersione statistica tipica (deviazione standard) di 1,0 dB(A).

⁴² I dati riportati per il livello di vibrazioni presentano una dispersione statistica tipica (deviazione standard) di 1,0 m/s².

	Husqvarna 525BX
Velocità massima dell'aria con ugello piatto, m/s	86
Flusso dell'aria con ugello tondo, m ³ /min	13
Flusso dell'aria con ugello piatto, m ³ /min	10

Dichiarazione di conformità CE

Dichiarazione CE di conformità

Husqvarna AB, SE-561 82 Husqvarna, Svezia, tel: +46-36-146500, dichiara con la presente che il soffiatore **Husqvarna 525BX** a partire dai numeri di serie del 2016 (l'anno viene evidenziato nella targhetta dati di funzionamento seguita dal numero di serie) è conforme alle disposizioni della DIRETTIVA DEL CONSIGLIO:

- del 17 maggio 2006 "sulle macchine" **2006/42/CE**.
- del 26 febbraio 2014 "sulla compatibilità elettromagnetica" **2014/30/UE**.
- dell'8 maggio 2000 "sull'emissione di rumore nell'ambiente" **2000/14/CE**. Valutazione della conformità eseguita ai sensi dell'Allegato V. Per informazioni sulle emissioni di rumore, fare riferimento a *Dati tecnici alla pagina 193*.
- dell'8 giugno 2011 sulla "restrizione dell'uso di determinate sostanze pericolose nelle apparecchiature elettriche ed elettroniche" **2011/65/UE**.

Sono state applicate le seguenti norme:

EN ISO 12100-2/A1:2009, CISPR 12:2009, EN 15503:2009/A2:2015, EN 50581:2012

RISE SMP Svensk Maskinprovning AB, ha eseguito l'omologazione volontaria per conto di Husqvarna AB. Numero del certificato: **SEC/14/2423** - 525BX

Husqvarna, 2020-01-01



Per Gustafsson, Responsabile sviluppo (rappresentante autorizzato per Husqvarna AB e responsabile della documentazione tecnica).

目次

はじめに.....	196	トラブルシューティング.....	204
安全性.....	197	搬送と保管.....	205
組立.....	199	主要諸元.....	207
操作.....	200	EC 適合性宣言.....	209
メンテナンス.....	202		

はじめに

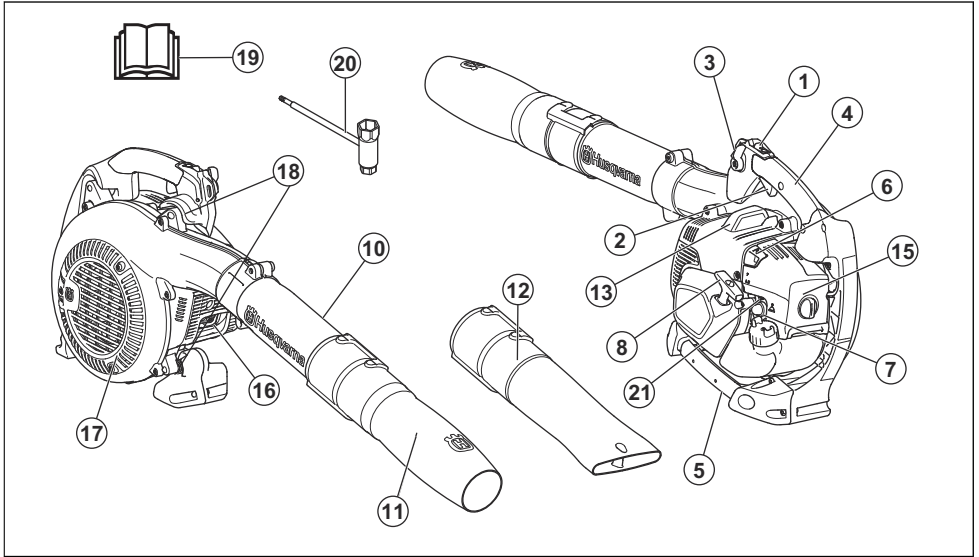
製品の説明

本製品は、燃料エンジンを搭載したブロワーです。
当社は継続的に製品の開発を行っています。そのため、
設計や外見などが予告なく変更されることがあります。

用途

本製品を使用して、芝生、歩道、道路などから葉や不要
な物体を吹き飛ばすことができます。

製品の概要



1. スタート / ストップスイッチ
2. スロットルトリガー
3. スロットルコントロール
4. コントロールハンドル
5. ハンドル
6. チョークコントロール
7. プライマバルブ
8. スターターロープハンドル
9. クランプネジ
10. 中間パイプ
11. 円形ノズル
12. フラットノズル
13. スパークプラグ
14. 燃料タンクキャップ
15. エアフィルター
16. マフラー
17. エアインテークスクリーン
18. 防振装置
19. 取扱説明書
20. コンプレンチ
21. アイドリング速度ネジ

製品に表記されるシンボルマーク



警告！本製品の使用は危険を伴います。操作者や付近にいる人が重傷を負う、または死亡するおそれがあります。十分に注意し、本製品を正しく使用してください。



この取扱説明書をよくお読みになり、内容をしっかりと把握したうえで、使用してください。



認可されたイヤマフと防護メガネを使用してください。使用環境に粉塵がある場合は、呼吸マスクを使用してください。



認可された保護手袋を着用してください。



本製品は EC 指令適合製品です。



ガソリンと 2 サイクルエンジンオイルの混合。



エアパーシバルブ。



チョーク、開位置。



チョーク、閉位置。



環境に対する騒音レベルは EC 指令 2000/14/EC およびニューサウスウェールズの法規「Protection of the Environment Operations (Noise Control) Regulation

2017」に準拠しています。騒音排出データは、本機のステッカーと主要諸元の章に記載されています。



飛んでくる物に気をつけてください。飛んでくる物により重傷を負うおそれがあります。身体保護具を使用してください。



安全のために、人や動物から 15 m 以上距離を取ってください。

yyyywwxxxx

製造番号は銘板に記載されています。yyyy は製造年、ww は製造された週です。

注記：本製品に付いている他のシンボル / 銘板は、他の販売地域での認定条件を示しています。

ユーロ V 排出規制



警告：エンジン进行修改すると、この製品の EC 型式認証が無効になります。

製造物責任

製造物責任法に基づき、当社は、次の場合については本製品を原因とする損傷について責任を負いません。

- 本製品が誤って修理された場合。
- メーカーによるものではない部品、またはメーカーの認していない部品を使用して本製品を修理した場合。
- メーカーによるものではないアクセサリ、またはメーカーの認していないアクセサリを本製品に使用した場合。
- 認定サービスセンターまたは認定機関で本製品が修理されていない場合。

安全性

安全性の定義

各シグナルワードの重大度の定義は次のとおりです。



警告：人身傷害。



注意：製品の損傷。

注記：この情報は、本製品を使用しやすくするためのものです。

一般的な安全注意事項



警告：本製品を使用する前に、以下の警告指示をお読みください。

- メーカーの承認を得ずに本製品を改造しないでください。常に純正の部品をお使いください。認可され

ていない改造やアクセサリを使用すると、作業者や周囲の人の重傷や死亡事故につながるおそれがあります。

- 損傷した製品は使用しないでください。この取扱説明書の内容に従って、安全点検とメンテナンスを行ってください。他のメンテナンス作業はすべて、認定されたサービス担当者が実施する必要があります。
- サービスおよび修理作業はすべて、認定されたサービス担当者が実施する必要があります。本製品の一部分に不具合がある場合は、販売店にお問い合わせください。

操作のための安全注意事項



警告：本製品を使用する前に、以下の警告指示をお読みください。

- 本製品の使用は危険を伴います。操作者や付近にいる人が重傷を負う、または死亡するおそれがあります。十分に注意し、本製品を正しく使用してください。
- 使用前に本製品を点検してください。メンテナンス 202 ページを参照してください。
- 疲労時、疾病時、またはアルコールや薬の影響下において、視野・判断力・動作が低下している場合は、本製品を操作しないでください。
- 使用前にすべてのカバーとガードを取り付けてください。感電を防ぐため、スパークプラグキャップとイグニッションケーブルが損傷していないことを確認してください。
- エンジンの作動中は、スパークプラグやイグニッションケーブルに触れないでください。
- 安全のために、人や動物から 15 m 以上距離を取ってください。人、子供、動物が 15 m よりも近くに来た場合は、本製品を停止してください。本製品は、人、動物、開いている窓、他の物体に向けないでください。
- 子供に本製品を操作させないでください。すべての使用者は、この取扱説明書の内容を読み、理解する必要があります。
- 作業中は、プロウハウジングに手やその他の物体を近づけないでください。回転部品により重傷を負うおそれがあります。
- エアインテークスクリーンが取り付けられていない場合は、本製品を使用しないでください。使用前に、エアインテークスクリーンが取り付けられており、損傷していないことを必ず確認してください。
- 緊急事態が発生した場合は、ハーネスのウエストベルトとチエストベルトを外し、本製品を落下させます。
- 国の規制および指令に従ってください。
- 熱くなっている表面から身体のすべての部位を離してください。
- 過度の振動を受けると、循環器障害や神経障害を引き起こすおそれがあります。しびれ、感覚麻痺、ピリピリ感、刺痛、疼痛、脱力感や、指、手、手首の

皮膚の色の变化などの症状がある場合は、医師に相談してください。

- 飛んでくる物に気をつけてください。飛んでくる物により重傷を負うおそれがあります。
- 濃霧、雨、強風などの悪天候や気温が低すぎる環境で本製品を使用しないでください。悪天候で作業すると、疲労や危険な状況を招く可能性があります。
- 安定した姿勢で自由に移動できることを確認してください。作業エリアに岩などの障害物がないかを確認します。斜面で本製品を操作する場合は注意してください。
- エンジンをかけたまま本製品を地面に置かないでください。
- はしごなどの高い位置から本製品を操作しないでください。
- 事故が発生した場合に、呼びかけが常に人に聞こえるようにしてください。
- 排気ガスの出口が塞がれていないことを確認します。本製品の損傷を防ぐため、排気ガスの出口を障害物から 50 cm 以上離してください。
- 屋内、換気の悪い場所、可燃物の近くでは、本製品を始動しないでください。エンジンの排気ガスには、一酸化炭素中毒を引き起こす一酸化炭素が含まれています。エンジンの排気ガスは高温で火花を含むこともあり、火災発生の原因となります。

使用者の身体保護具



警告：本製品を使用する前に、以下の警告指示を読んでください。

- 本製品を使用するときは、認可された身体保護具を必ず着用してください。身体保護具で負傷を完全に防止できるわけではありませんが、万が一事故が起こった場合に負傷の度合いを軽減することができます。詳細情報は、販売店までお問い合わせください。
- 認可されたイヤマフを使用してください。騒音に長時間さらされると、聴覚に恒久的な損傷を受ける可能性があります。
- 認可された防護メガネを使用してください。パイザーを使用する場合は、認可された防護ゴーグルも使用する必要があります。認可された保護メガネは、米国の ANSI Z87.1 規格または EU 諸国の EN 166 に適合していなければなりません。
- 作業およびメンテナンス中は保護グローブを着用してください。
- 保護ブーツ、または靴底が滑りにくい靴を着用してください。
- 全身を覆う頑丈な生地の衣服を着用してください。宝飾品や開口部のある靴は着用しないでください。負傷の可能性を減らすために、びつたりとした、ただし動きを制限しない服を着用する必要があります。髪が回転部分に入ったり枝に引っかかったりしないように、髪の毛は肩よりも上にまとめてください。
- 粉塵が生じる可能性があるときは、呼吸保護マスクを使用してください。

- ・ 救急器具を近くに用意してください。

本製品の安全装置



警告： 本製品を使用する前に、以下の警告指示をお読みください。

- ・ 安全装置に欠陥のある製品は使用しないでください。
- ・ 安全装置は定期的に点検してください。メンテナンス 202 ページを参照してください。
- ・ 安全装置に欠陥がある場合は、Husqvarna サービス代理店にご相談ください。

マフラーの点検方法



警告： マフラーに不具合のある製品は使用しないでください。



警告： マフラーは、操作の前後およびアイドルリング速度時に非常に高温になります。火傷を防ぐために保護グローブを着用してください。



警告： マフラーの内部には発がん性の化学物質が含まれます。損傷しているマフラーには触らないでください。

- ・ マフラーを定期的に目視点検してください。マフラーの騒音レベルを最小限に抑え、作業者に排気ガスを向けないようにしてください。マフラーのメンテナンス 203 ページを参照してください。

防振装置のチェック方法

1. 防振ユニットに亀裂や変形がないことを確認してください。
2. 防振ユニットがエンジンユニットとハンドルユニットに正しく固定されていることを確認します。

本製品の防振装置の位置については、製品の概要 196 ページを参照してください。

スタート / ストップスイッチのチェック方法

1. スタート / ストップスイッチはエンジンを停止するとき使用します。

2. エンジンが完全に停止していることを確認してください。

製品の START/STOP 位置を確認するには、製品の概要 196 ページを参照してください。

燃料の安全について



警告： 本製品を使用する前に、以下の警告指示をお読みください。

- ・ 燃料を屋内や熱源の近くで混合または補充しないでください。
- ・ 本製品または身体にオイルや燃料が付着している場合は、本製品を始動しないでください。
- ・ エンジンの燃料が漏れている場合は、本製品を始動しないでください。エンジンの燃料漏れを定期的に点検してください。
- ・ 燃料は常に注意して取り扱ってください。燃料は可燃性で気化した燃料には爆発性があるため、重傷や死亡に至ることがあります。
- ・ 燃料の蒸気を吸引しないでください。負傷の原因になることがあります。十分な空気の流れを確保してください。
- ・ 燃料やエンジンのそばで喫煙しないでください。
- ・ 本製品または燃料容器を高温の物、裸火、火花、または種火がある場所に置かないでください。
- ・ 燃料を保管、搬送する場合は必ず認可されたコンテナを使用してください。

メンテナンスのための安全注意事項



警告： 本製品を使用する前に、以下の警告指示をお読みください。

- ・ エンジンを停止し、スパークプラグを取り外して、エンジンが冷めてからメンテナンスおよび組み立てを行ってください。
- ・ スパーク防止ネットスクリーンが詰まっていると、エンジンが過熱して、損傷する可能性があります。
- ・ スパーク防止ネットスクリーンが頻繁に詰まる場合は、触媒コンバーターの性能が低下している可能性があります。販売店にマフラーの点検を依頼してください。

組立

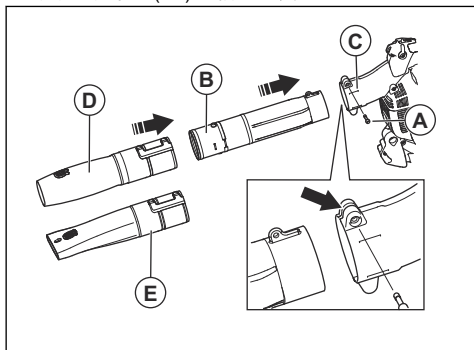
はじめに



警告： 本製品を組み立てる前に、安全に関する章を読んで理解してください。

ブローパイプの組み立て

1. クランプネジ (A) を緩めます。



2. 中間パイプ (B) をブローパイプ (C) に取り付けます。
3. クランプネジ (A) を取り付けて締めます。
4. 円形ノズル (D) またはフラットノズル (E) を中間パイプに取り付けます。

操作

はじめに



警告： 本製品を使用する前に、安全に関する章を読んで理解してください。

燃料

本製品には 2 サイクルエンジンが搭載されています。



注意： 誤った種類の燃料を充填すると、エンジンが損傷する可能性があります。ガソリンと 2 サイクルエンジンオイルの混合燃料を使用してください。

2 サイクルエンジンオイル

- 最適な結果を得るには、Husqvarna 2 ストロークオイルを使用してください。
- Husqvarna 2 サイクルエンジンオイルが入手できない場合は、空冷エンジン用に調合された市販の高品質 2 サイクルオイルを使用してください。適切なオイルの選択については、サービス代理店にお問い合わせください。



注意： アウトボードオイルとも呼ばれる水冷式船外機用の 2 サイクルエンジンオイルは、使用しないでください。4 サイクルエンジンオイルは使用しないでください。

混合済み燃料

- Husqvarna の混合済みアルキレート燃料を使用することにより、最高の性能を保ちながらエンジンの寿命を延ばすことができます。この燃料は、標準的な燃料に比べて有害物質が少なく、有害な排気ガスの排出を低減します。この燃料は燃焼後の残留物が少ないため、エンジンの部品を清潔に保つことができます。

燃料の混合方法

ガソリン

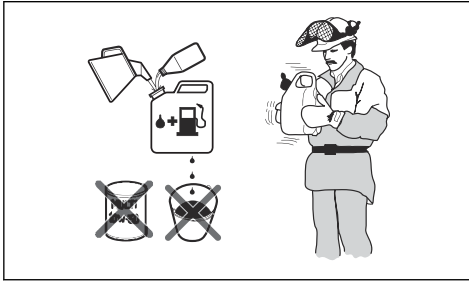
- エタノールを最大 10% 含んだ高品質の無鉛プレミアムガソリンを使用してください。

ガソリンと 2 サイクルエンジンオイルの混合方法

ガソリン、リットル	2 サイクルエンジンオイル、リットル
	2% (50:1)
5	0.10
10	0.20
15	0.30
20	0.40



注意： 少量の燃料を混合する場合、わずかな誤差が混合比率に大きく影響します。オイル量を慎重に計量し、正しい混合比率にしてください。



1. 汚れない燃料用容器に半分の量のガソリンを注ぎます。
2. 全量のオイルを追加します。
3. 燃料混合物を混ぜ合わせます。
4. 残りのガソリンを容器に加ええます。
5. 燃料混合物を慎重に混ぜ合わせます。



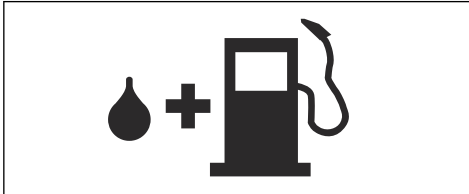
注意：1か月分以上の混合燃料を一度に作らないでください。

燃料タンクの充填



警告：安全のために、以下の手順に従ってください。

1. エンジンを停止し、冷まします。
2. 燃料タンクキャップの周囲をきれいにしてください。



3. 容器を振って、燃料を十分混合してください。
4. 燃料タンクキャップをゆっくりと外して、圧力を解放します。
5. 燃料タンクを充填します。



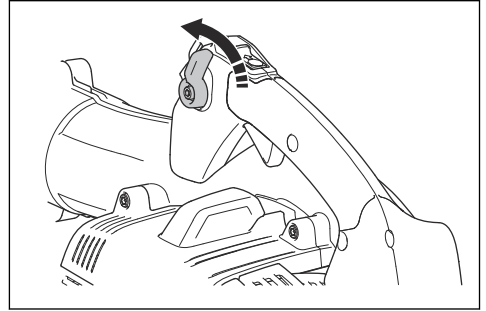
注意：燃料タンクに燃料を入れすぎないようにしてください。燃料は高温になると膨張します。

6. 燃料タンクキャップをしっかり締めます。
7. 本製品と周囲にこぼれた燃料をきれいに拭き取ります。
8. 給油場所から3m(10フィート)以上離れた場所で、エンジンを始動してください。

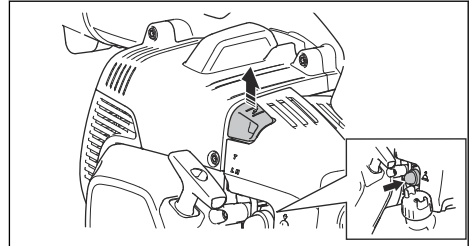
注記：燃料タンクの位置を確認するには、はじめに196ページを参照してください。

本製品の始動方法

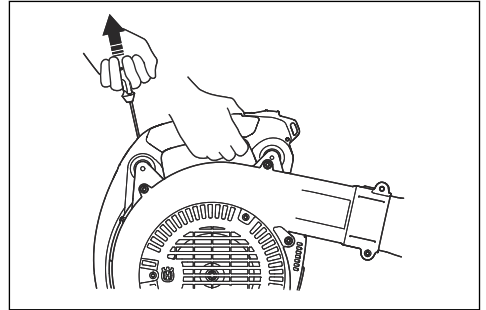
1. スロットルコントロールをアイドル位置に動かします。



2. エンジンが冷えている場合は、チョークコントロールをチョークの閉位置に押しします。



3. 燃料がエアバージバルブを満たし始めるまでエアバージバルブを繰り返し押しします。エアバージバルブを完全に充填する必要はありません。
4. 本製品を地面の平らな場所に置きます。
5. 右手で本製品を持ちます。



注意：本製品を足で支えないでください。

6. 抵抗を感じるまで、スターターロープハンドルをゆっくりと引きます。

7. スターターロープハンドルを左手ですばやく引きま
す。エンジンが始動するまで、何度かスターターロ
ープハンドルを引きます。

注記： スターターロープハンドルを完全に引き出さ
ないでください。スターターロープハンドルを放さ
ないでください。

8. エンジンが冷えている場合は、チョークコントロー
ルを開位置に設定します。
9. エンジンが冷えている場合は、エンジンを 2~3 分
間作動させて暖機してから作業します。



警告： エンジンを始動して本製品をア
イドル回転数に設定すると、空気が放出
されます。本製品やブロワーパイプに人
を近づけないでください。

本製品の操作

- 本製品は通常の作業時間内に使用します。現地の規
制を順守してください。
- 機器の数を減らして作業に適した速度を選択しま
す。不要な騒音や粉塵を防止するために、スロット
ルはできるだけ低い位置にしてください。
- ブロワーノズルは地表の近くに維持します。

注記： Husqvarna は、延長フルブロワーノズルの使
用を推奨します。

- 風の方向を確認して、本製品を風と同じ向きに使用
します。

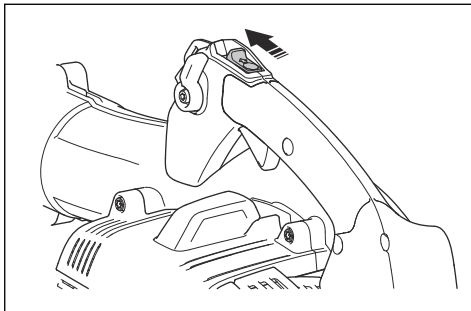
- 適切なガーデンツールを使用して、地面から対象物
をはがします。
- 埃の多い場所は、スプレー装置を使用して湿らせま
す。これにより作業時間が短縮されます。
- 作業後は、本製品を垂直に保管してください。

エンジンの停止方法



注意： 本製品を最高速度時に停止しないで
ください。

- START/STOP スイッチを STOP 位置にセットしま
す。



メンテナンス

はじめに



警告： 本製品のメンテナンスを実行する前
に、安全に関する章を読んで理解してくだ
さい。

メンテナンススケジュール

メンテナンス	毎日	毎週	毎月
外面を清掃します。	X		
スロットルコントロールが適切に操作できることを確認します。	X		
START/STOP スイッチが正常に機能することを確認します。スタート / スト ップスイッチのチェック方法 199 ページを参照してください。	X		
エンジン、燃料タンク、燃料ラインに漏れが発生していないか点検します。燃 料フィルターに汚れがないか点検します。必要に応じて燃料フィルターを交換 します。	X		
エアフィルターを清掃します。必要に応じてエアフィルターを交換します。	X		
ナットとネジを締め込みます。	X		
エアインテークを点検して、詰まりがないことを確認します。	X		

メンテナンス	毎日	毎週	毎月
スターターとスターターローブに損傷がないか点検します。		X	
防振ユニットに損傷、ひび、変形がないか点検します。防振ユニットが正しく設置されていることを確認します。		X	
スパークプラグを点検します。スパークプラグの点検方法 203 ページを参照してください。		X	
冷却システムを洗浄します。		X	
キャブレターの外側と周辺を掃除します。		X	
燃料タンクの清掃。			X
すべてのコードと接続部を点検します。			X
マフラーのスパーク防止ネットスクリーンを点検し、清掃します (触媒コンバーターがない製品の場合)。		X	
マフラーのスパーク防止ネットスクリーンを点検し、清掃します (触媒コンバーター付き製品の場合)。			X
スパークプラグの交換サブレッサーが取り付けられていることを確認します。			X

アイドリング速度の調整方法

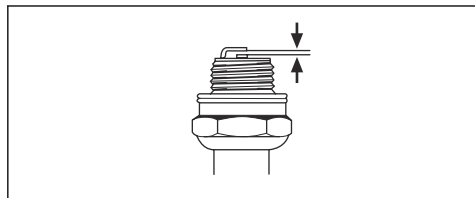
1. エアフィルターに汚れがなく、エアフィルターカバーが取り付けられていることを確認します。
2. アイドリング速度はアイドリング速度ネジで調整します。製品のアイドリング速度ネジの位置を確認するには、製品の概要 196 ページを参照してください。

スパークプラグの点検方法



注意：推奨されているスパークプラグを使用します。スパークプラグの点検方法 203 ページを参照してください。誤ったスパークプラグを使用すると、本製品が損傷することがあります。

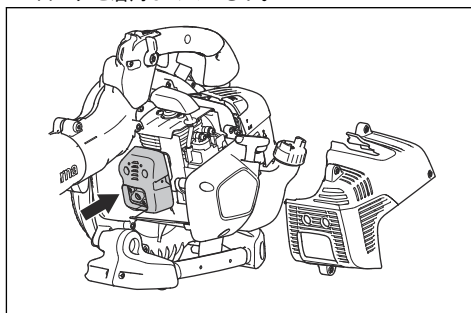
1. エンジンを停止して本製品が冷えるまで待ちます。
2. スパークプラグを清掃します (スパークプラグが汚れている場合)。
3. 電極ギャップが正しいことを確認します。主要諸元 207 ページを参照してください。



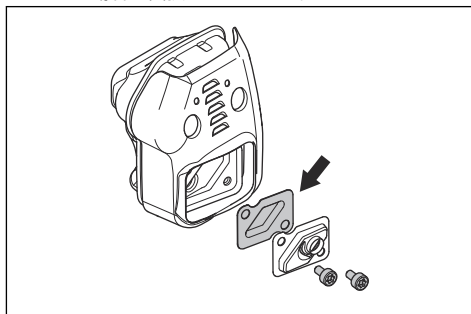
4. 必要に応じて、スパークプラグは月 1 回以上交換してください。

マフラーのメンテナンス

1. エンジンを停止し、マフラーを冷やします。保護グローブを着用してください。



2. マフラーカバーを取り外します。
3. 目視点検を行います。スパーク防止ネットが損傷している場合は交換してください。



冷却システムの点検と清掃

冷却システムには、シリンダーの冷却フィンとエアインターークスクリーンが含まれています。

1. エンジン进行を止めます。
2. 冷却システムに汚れや詰まりがないことを確認してください。必要に応じて、エアインターークスクリーンと冷却フィンを清掃します。



注意：冷却システムに汚れや詰まりがあると、エンジンが高温になり本製品が損傷するおそれがあります。エアインターークスクリーンが詰まっていると、風力が弱まります。

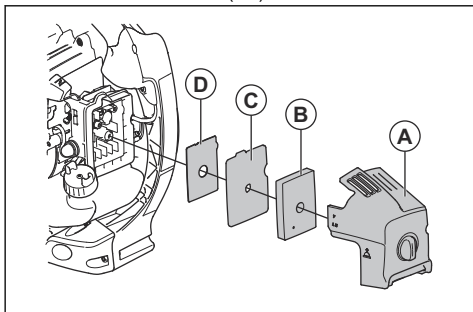
3. 冷却システムに損傷がないか点検します。部品が本製品に正しく取り付けられていることを確認します。

エアフィルターの清掃方法



注意：エアフィルターが取り付けられていない状態、またはエアフィルターが損傷している状態で本製品を使用しないでください。空気中の粉塵によってエンジンが損傷する可能性があります。

1. チョークコントロールを押してチョークを閉位置にします。
2. エアフィルターカバー (A) を取り外します。



3. フィルターフレームからエアフィルター (B) を取り外します。
4. 温水と石鹸でエアフィルター (B) を洗淨します。

注記：長期間使用したエアフィルターの汚れを完全に除去することはできません。エアフィルターを定期的に変換し、エアフィルターに欠陥が生じたら必ず変換してください。

5. エアフィルターカバー (A) の内側の表面をブラシで掃除してください。
6. フェルトフィルター (C) が汚れている場合は、取り外して変換します。
7. スクリーン (D)、フェルトフィルター (C)、エアフィルター (B) を取り付けます。
8. エアフィルターカバー (A) を本製品に取り付けます。

トラブルシューティング

エンジンを始動できない		
点検	考えられる原因	解決策
STOP ボタン。	STOP 位置	STOP スイッチを START 位置に設定します。

エンジンを始動できない		
点検	考えられる原因	解決策
スターター爪。	スターター爪の詰まりまたは摩擦。	スターター爪を調節するか、交換します。
		スターター爪の周りを清掃します。
		販売店にご連絡ください。
燃料タンク。	燃料の種類が間違っている。	燃料タンクを空にして正しい燃料を使用します。
キャブレター。	アイドリング速度の調整。	アイドリング速度はアイドリング調整ネジで調整します。
スパーク (火花が起きない)。	スパークプラグが汚れているか、湿っている。	スパークプラグに汚れがなく乾燥した状態にします。
	スパークプラグの電極ギャップが正しくない。	スパークプラグを清掃します。電極ギャップが正しいことを確認します。スパークプラグにサブレッサーが正しく装着されていることを確認します。
		正しい電極ギャップについては、主要諸元を参照してください。
スパークプラグ。	スパークプラグが緩んでいる。	スパークプラグを締め込みます。
	スパークプラグの電極に汚れが付着している。	適切な燃料混合物を使用していることを確認します。
		エアフィルターに汚れがないことを確認します。

エンジンは始動するがまた停止する		
点検	考えられる原因	解決策
燃料タンク。	燃料の種類が間違っている。	廃棄して正しい燃料を使用します。
キャブレター。	エンジンがアイドリング速度で動作しない。	販売店にお問い合わせください。
エアフィルター。	エアフィルターが詰まっている。	エアフィルターを清掃します。

搬送と保管



警告： 火災発生の危険を防ぐため、搬送中や保管中は漏れや煙がないことを確認してください。火花や火災の危険がないことを確認してください。

- 搬送や長期間の保管の前は、燃料タンクを空にしてください。エアバージバルブを押して、すべての燃料が排出されていることを確認します。燃料は適切な廃棄場所に廃棄してください。
- 長期間保管する前は、本製品を清掃してすべての整備を行ってください。

- スパークプラグを取り外して、15 ml の 2 サイクルエンジンオイルをシリンダーに注油します。本製品を 3 回回転させて、スパークプラグを再度取り付けます。
- 搬送中は本製品をしっかりと車両に固定してください。
- 本製品は、通気がよく低温の乾燥した清潔な場所に保管します。本製品に子供が近づかないようにしてください。

主要諸元

主要諸元

	Husqvarna 525BX
エンジン	
排気量、cm ³	25.4
アイドリング回転数、r/min	3000
触媒コンバーター	有り
イグニションシステム	
スパークプラグ	NGK BPMR8Y
電極ギャップ、mm	0.6-0.7
燃料および潤滑システム	
燃料タンク容量、l / cm ³	0.45 / 450
質量	
質量 (燃料なし)、kg	4.4
騒音排出⁴³	
実測音響レベル dB (A)	104
音響パワーレベル、L _{WA} dB (A) により保証	106
音量レベル⁴⁴	
使用者の耳におけるものと同等の音圧レベル、EN15503 による計測値 dB (A) :	
丸型ノズル装着時	91
フラットノズル装着時	92
振動レベル⁴⁵	
ハンドルの等価振動レベル (a _{hv,eq})、EN 1550 による計測値 m/s ²	
丸型ノズル装着時	1.2
フラットノズル装着時	2.0
ファン性能	
丸型ノズル装着時の最高風速、m/s	70
フラットノズル装着時の最高風速、m/s	86
丸型ノズル装着時の平均風量、m ³ /min	13

⁴³ 環境における騒音の排出は、EC 指令 2000/14/EC に従って、音響パワー (L_{WA}) として測定。本機の騒音レベル報告値は、最高レベルとなブローパイプを使用して計測されました。保証音響と計測音響の違いは、保証音響に計測結果のばらつきと、同一モデルの異なる機器の差異が含まれているためです。これは指令 2000/14/EC に則っています。

⁴⁴ 報告データによれば、騒音音圧レベルの一般的な統計上のばらつき (標準偏差) は、1.0 dB (A) です。

⁴⁵ 報告データによれば、等価振動レベルの一般的な統計上のばらつき (標準偏差) は、1.0 m/s² です。

	Husqvarna 525BX
フラットノズル装着時の平均風量、m ³ /min	10

EC 適合性宣言

EC 適合性宣言

Husqvarna AB、SE-561 82 Huskvarna, Sweden (電話: +46-36-146500 は 2016 年以降のシリアル番号のブローワー Husqvarna 525BX (年号は銘板上にシリアル番号とともに明記) が、以下の評議会指令の規格に適合することを宣言します。

- 2006 年 5 月 17 日付「機械類に関する」**2006/42/EC**
- 2014 年 2 月 26 日付「電磁波適合性に関する」**2014/30/EU**
- 2000 年 5 月 8 日付「環境への騒音排出に関する」**2000/14/EC** 付録 V に基づく適合性評価。騒音排出に関する情報については、*主要諸元 207 ページ*を参照してください。
- 2011 年 6 月 8 日付「電気・電子製品に含まれる特定有害物質の使用制限に関する」**2011/65/EU**。

次の標準規格にも適合しています。

EN ISO 12100-2/A1:2009, CISPR 12:2009, EN 15503:2009/A2:2015, EN 50581:2012

RISE SMP Svensk Maskinprovning AB、が Husqvarna AB の代理として自主試験を実施しました。証明書の番号は以下の通りです。**SEC/14/2423 - 525BX**

Huskvarna, 2020-01-01



デベロップメントマネジャー Per Gustafsson (ハスクバーナ AB 正式代表兼技術文書担当)

TURINYS

Įvadas.....	210	Gedimai ir jų šalinimas.....	218
Sauga.....	211	Gabenimas ir laikymas.....	219
Surinkimas.....	213	Techniniai duomenys.....	220
Naudojimas.....	214	EB atitikties deklaracija.....	222
Techninė priežiūra.....	216		

Įvadas

Gaminio aprašas

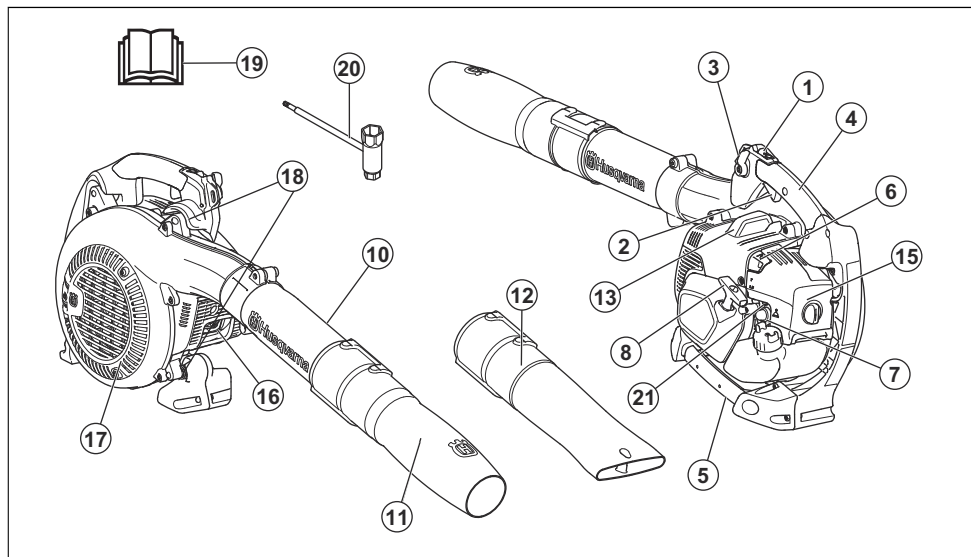
Gaminys yra pūstuvus su vidaus degimo varikliu.

Mes nuolat siekiame tobulinti savo gaminius, pasilikdami sau teisę keisti jų formą ir išvaizdą be išankstinio pranešimo.

Naudojimas

Gaminį naudokite lapams ir kitoms nepageidaujamos medžiagos nuo tokių vietų kaip vejos, takai ir asfaltuoti keliai nupūsti.

Gaminio apžvalga



1. Paleidimo / stabdymo jungiklis
2. Akceleratoriaus gaidukas
3. Droselio valdiklis
4. Valdymo rankenėlė
5. Rankena
6. Oro sklendė
7. Kuro siurbliukas
8. Starterio virvės rankena
9. Spaustuko varžtas
10. Tarpinis vamzdis
11. Apvalus antgalis

12. Plokščias antgalis
13. Uždegimo žvakė
14. Degalų bakelio dangtelis
15. Oro filtras
16. Duslintuvus
17. Oro įsiurbimo grotelės
18. Vibracijos slopinimo sistema
19. Naudojimo instrukcija
20. Kombinuotasis veržliaraktis
21. Laisvosios eigos greičio reguliavimo varžtas

Simboliai ant gaminio



[SPĖJIMAS!] Šis gaminys gali būti pavojingas ir rimtai sužeisti arba pražudyti naudotoją arba aplinkinius. Būkite atsargūs ir tinkamai naudokite gaminį.



Prieš naudodami, atidžiai perskaitykite naudojimo instrukciją ir įsitinkinkite, kad viską gerai supratote.



Naudokite patvirtintas apsaugines ausines ir apsauginius akinius. Jei aplinkoje yra dulkių, naudokite kvėpavimo kaukę.



Naudokite patvirtintas apsaugines pirštines.



Šis gaminys atitinka taikomas ES direktyvas.



Benzino ir dvitakčių variklių alyvos mišinys.



Oro šalinimo siurbliukas.



Sklendė, atidaryta padėtis.



Sklendė, uždaryta padėtis.



Triukšmo emisija į aplinką atitinka Europos direktyvą 2000/14/EB ir Naujojo Pietų Velso įstatymą „2017 m. aplinkos apsaugos (triukšmo kontrolės) reglamentas“. Triukšmo

emisijos duomenys nurodyti įrenginio etiketėje ir skyriuje Techniniai duomenys.



Saugokitės išsviedžiamų daiktų. Išsviedžiami daiktai gali sunkiai sužaloti. Naudokite asmenines apsaugines priemones.



Išlaikykite saugų mažiausiai 15 m atstumą nuo žmonių arba gyvūnų.

Duomenų plokštelė su serijos numeriu. **yyyy** yra pagaminimo metai, **ww** – pagaminimo savaitė.

yyyywwxxxx

Pasižymėkite: Kiti ant gaminio pateikti simboliai (lipdukai) nurodo kitų komercinių teritorijų sertifikavimo reikalavimus.

„Euro V“ standartas



PERSPĖJIMAS: Variklio modifikavimas panaikina šio produkto ES tipo patvirtinimą.

Atsakomybė už gaminį

Kaip nurodyta atsakomybės už gaminį įstatymuose, mes nesame atsakingi už mūsų gaminio sukeltą žalą, jei:

- gaminys netinkamai suremontuotas;
- gaminys suremontuotas naudojant kito gamintojo arba gamintojo nepatvirtintas dalis;
- gaminys turi kito gamintojo arba gamintojo nepatvirtintą priedą;
- gaminys suremontuotas ne patvirtintame techninės priežiūros centre arba jį suremontavo ne patvirtintas atstovas.

Sauga

Saugos ženklų reikšmės

Toliau apibrėžiamas signalinių žodžių žymimas pavojus.



PERSPĖJIMAS: Gali susižeisti asmenys.



PASTABA: Galima sugadinti gaminį.

Pasižymėkite: Ši informacija padeda gaminį naudoti saugiau.

Bendrieji saugos nurodymai



PERSPĖJIMAS: Prieš imdamiesi naudoti gaminį perskaitykite toliau nurodytus išpajamuosius nurodymus.

- Nekeiskite gaminio negavę gamintojo patvirtinimo ir visada naudokite originalius priedus. Dėl

nepatvirtintų modifikacijų ir (arba) priedų operatorius arba kiti asmenys gali rimtai susižaloti arba žūti.

- Sugadinto gaminio nenaudokite. Atlikite šioje naudojimo instrukcijoje aprašytas saugos patikras ir techninės priežiūros procedūras. Visus kitus priežiūros darbus turi atlikti įgalioti techninės priežiūros darbuotojai.
- Visus priežiūros ir remonto darbus turi atlikti įgalioti techninės priežiūros darbuotojai. Jei gaminio dalis turi defektų, kreipkitės į techninio aptarnavimo atstovą.

Naudojimo saugos instrukcijos



PERSPĖJIMAS: Prieš naudodami gaminį, perskaitykite toliau esančius įspėjimus.

- Šis gaminys gali būti pavojingas ir rimtai sužeisti arba pražudyti naudotoją arba aplinkinius. Būkite atsargūs ir tinkamai naudokite gaminį.
- Prieš darbą atlikite produkto patikrą. Žr. *Techninė priežiūra psl. 216*.
- Nenaudokite gaminio, jeigu esate pavargę, sergate arba vartojote alkoholio ar kitų narkotinių medžiagų. Dėl to gali susilpnėti jūsų regėjimas, koordinacija arba sumažėti gebėjimas priimti sprendimus.
- Prieš naudodami sumontuokite visus gaubtus ir apsaugas. Norėdami išvengti elektros šoko, įsitikinkite, kad nepažeistas uždegimo žvakės dangtelis ir uždegimo kabelis.
- Nelieskite uždegimo žvakės ar uždegimo kabelio, kai variklis dirba.
- Išlaikykite saugų mažiausiai 15 m atstumą nuo žmonių arba gyvūnų. Jei žmonės, vaikai arba gyvūnai yra arčiau nei 15 m atstumu, sustabdykite gaminį. Nukreipkite gaminį nuo asmenų, gyvūnų, atvirų langų ir kitų objektų.
- Neleiskite vaikams valdyti gaminio. Užtikrinkite, kad visi operatoriai perskaitytų ir suprastų šios naudojimo instrukcijos turinį.
- Naudojimo metu rankas ir kitus objektus laikykite toliau nuo pūstuvo korpuso. Besisukančios dalys gali sunkiai sužaloti.
- Nenaudokite gaminio, jei nėra sumontuotos oro įsiurbimo grotelės. Prieš naudodami visada užtikrinkite, kad oro įsiurbimo grotelės sumontuotos ir nepažeistos.
- Įvykus incidentui, atlaisvinkite juosmens bei krūtinės diržus ir leiskite gaminii nukristi.
- Laikykitės nacionalinių reglamentų ir direktyvų.
- Saugokitės įkaitusių paviršių.
- Per didelė vibracija gali pažeisti kraujotakos arba nervų sistemą. Kreipkitės į gydytoją, jei jums pasireiškia tokie simptomai kaip tirpimas, jutimo praradimas, dilgčiojimas, dūrimo jausmas, skausmas, silpnumas arba pirštų, rankų ar riešo spalvos pasikeitimas.

- Saugokitės išsviedžiamų daiktų. Išsviedžiami daiktai gali sunkiai sužaloti.
- Įrenginio nenaudokite blogu oru, pvz., esant tirštam rūkui, lietuvi, smarkiai vėjui ar dideliam šalčiui. Darbas blogu oru gali varginti ir sudaryti pavojingas sąlygas.
- Įsitikinkite, kad galite judėti ir išlaikyti stabilią padėtį. Patikrinkite, ar darbo srityje nėra galimų kliūčių, pavyzdžiui, akmenų. Būkite atsargūs, kai gaminį naudojate stovėdami ant šlaito.
- Nepadėkite gaminio ant žemės, kai užvestas variklis.
- Nenaudokite gaminio būdami aukštai, pavyzdžiui, ant kopėčių.
- Užtikrinkite, kad būsite išgirsti įvykus incidentui.
- Įsitikinkite, kad išmetamųjų dujų anga neužblokuota. Kad gaminys nebūtų pažeistas, kliūtys turi būti mažiausiai 50 cm atstumu nuo išmetamųjų dujų angos.
- Neužveskite gaminio patalpoje, esant prastam oro srautui arba greta degių medžiagų. Išmetamosiose variklio dujose yra anglies monoksido, galinčio sukelti apsinuodijimą. Išmetamosios dujos yra karštos, jose gali būti kibirkščių, kurios gali sukelti gaisrą.

Asmeninės apsauginės priemonės



PERSPĖJIMAS: Prieš naudodami gaminį, perskaitykite toliau esančius įspėjimus.

- Naudodami gaminį visada dėvėkite patvirtintas asmenines apsaugines priemones. Asmeninės apsauginės priemonės negali visiškai apsaugoti nuo sužalojimo, tačiau jos gali sumažinti sužalojimo mastą. Dėl išsamesnės informacijos prašome kreiptis į savo prekybos atstovą.
- Naudokite patvirtintas apsaugines ausines. Ilgalaikis triukšmo poveikis gali visam laikui pakenkti klausai.
- Naudokite patvirtintas akių apsaugos priemones. Jei naudojamas apsauginis skydelis, turi būti nešiojami ir patvirtinti apsauginiai akiniai. Patvirtinti apsauginiai akiniai yra tie, kurie atitinka JAV ANSI Z87.1 standartą arba ES EN 166 standartą.
- Naudodami ir atlikdami techninę priežiūrą mūvėkite apsaugines pirštines.
- Apsiaukite apsauginiais auliniiais batais arba batais neslidžiais padais.
- Dėvėkite stipraus audinio ir ilgus drabužius. Nedėvėkite papuošalų arba nemūvėkite atvirų batų. Norint sumažinti susižalojimo pavojų, drabužiai turi būti priglundę, tačiau neribojantys jūsų judesius. Susiriškite plaukus, kad jie būtų aukščiau pečių ir nepatektų į besisukančias dalis arba neužsikabintų už šakų.
- Jei kyla dulkių pavojus, naudokite kvėpavimo apsaugą.
- Pasirūpinkite, kad netoliese būtų pirmosios pagalbos vaistinė.

Gaminio apsauginės priemonės



PERSPĖJIMAS: Prieš naudodami gaminį, perskaitykite toliau esančius įspėjimus.

- Nesinaudokite gaminio, jei jo apsauginės priemonės yra netvarkingos.
- Reguliariai tikrinkite apsaugines priemones. Žr. *Techninė priežiūra psl. 216.*
- Jei apsauginės priemonės yra pažeistos, pasitarkite su Husqvarna techninės priežiūros atstovu.

Duslintuvo patikra



PERSPĖJIMAS: Jeigu duslintuvus sugadintas, įrenginio nenaudokite.



PERSPĖJIMAS: Dirbant ir baigus darbą, taip pat įrenginiui veikiant tuščiaja eiga, duslintuvus labai įkaista. Kad nenusidegintumėte, būtinai mūvėkite apsaugines pirštines.



PERSPĖJIMAS: Duslintuvo viduje yra chemikalai, kurie gali turėti kancerogeninių medžiagų. Nelieskite duslintuvo, jei jis yra pažeistas.

- Reguliariai apžiūrėkite duslintuvą. Duslintuvus iki minimumo sumažina triukšmo lygį ir nukreipia nuo naudotojo variklio išmetamąsias dujas. Žr. *Duslintuvo priežiūra psl. 217.*

Vibracijos slopinimo sistemos patikra

1. Įsitikinkite, kad vibracijų slopinimo įrenginiuose nėra įtrūkimų arba deformacijų.
2. Patikrinkite, ar antivibracinės sistemos detalės yra tinkamai pritvirtintos prie variklio ir rankenų.

Žr. *Gaminio apžvalga psl. 210*, jei reikia informacijos apie tai, kur jūsų produkte yra vibracijos slopinimo sistema.

Paleidimo / Išjungimo jungiklio patikra

1. Naudokite paleidimo / stabdymo jungiklį varikliui išjungti.

2. Įsitikinkite, kad variklis visiškai išjungtas.

Norėdami sužinoti, kur yra paleidimo / stabdymo jungiklis jūsų gaminyje, žr. *Gaminio apžvalga psl. 210.*

Degalų naudojimo sauga



PERSPĖJIMAS: Prieš imdamiesi naudoti gaminį perskaitykite toliau nurodytus įspėjamuosius nurodymus.

- Nemaišykite arba nepilkite degalų patalpoje arba šalia šilumos šaltinio.
- Neužveskite gaminio, jei apļiejote gaminį arba kūną alyva arba kuru.
- Neužveskite gaminio, jei iš variklio sunkiasi kuras. Reguliariai tikrinkite, ar iš variklio nesisunkia kuras.
- Su degalais visada elkitės atsargiai. Kuras yra degus, o jo garai – sprogdūs, todėl galima sunkiai susižaloti arba žūti.
- Neįkvėpkite kuro garų, nes jie gali sužaloti. Pasirūpinkite tinkamu vėdinimu.
- Nerūkykite greta kuro arba variklio.
- Nestatykite gaminio arba kuro bakelio greta šiltų objektų, atviros liepsnos, kibirkščių arba degiklio.
- Laikydami ir transportuodami kurą visada naudokite patvirtintus kontenerius.

Priežiūros saugos instrukcijos



PERSPĖJIMAS: Prieš imdamiesi naudoti gaminį perskaitykite toliau nurodytus įspėjamuosius nurodymus.

- Išjunkite variklį, išimkite uždegimo žvakę ir leiskite varikliui atvėsti prieš atlikdami techninę priežiūrą ir montuodami.
- Užsikimšus kibirkščių gesinimo tinkleliui variklis perkaista, todėl gali būti sugadintas.
- Jei kibirkščių gesinimo tinklelis dažnai užsikemša, tai gali reikšti, kad blogai veikia katalizatorius. Dėl duslintuvo patikrinimo kreipkitės į techninės priežiūros atstovą.

Surinkimas

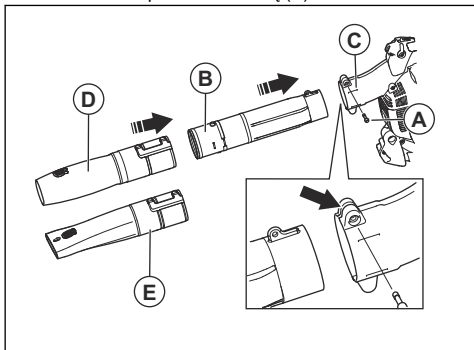
Įvadas



PERSPĖJIMAS: Prieš surinkdami gaminį perskaitykite ir supraskite skyrių apie saugą.

Pūstuvo vamzdžio montavimas

1. Atlaisvinkite spaustuvo varžtą (A).



2. Pritvirtinkite tarpinį vamzdį (B) prie pūstuvo vamzdžio (C).
3. Įstatykite ir pritvirtinkite spaustuvo varžtą (A).
4. Įstatykite apvalų antgalį (D) arba plokščią antgalį (E) į tarpinį vamzdį.

Naudojimas

Įvadas



PERSPĖJIMAS: Prieš naudodami gaminį perskaitykite ir supraskite skyrių apie saugą.

Degalai

Įrenginys turi dvitaktį variklį.



PASTABA: Naudojant netinkamo tipo degalus gali būti sugadintas variklis. Naudokite benzino ir dvitaktių variklių alyvos mišinį.

Iš anksto sumaišyti degalai

- Naudokite Husqvarna iš anksto sumaišytus alkilintus degalus, siekdami geriausių rezultatų ir prailginti variklio tarnavimo laiką. Šiuose degaluose palyginti su įprastiniais degalais yra mažiau kenksmingų chemikalų, todėl sumažėja kenksmingų išmetamųjų dujų kiekis. Likučių po degimo kiekis yra mažesnis, naudojant šiuos degalus, todėl variklio komponentai išlieka švaresni.

Degalų maišymas

Benzinas

- Naudokite kokybišką bešvinį benzina, kurio etanolio koncentracija yra iki 10 %.



PASTABA: Nenaudokite benzino, kurio oktaninis skaičius yra mažesnis nei 90 RON/87 AKI. Naudojant žemesnio oktaninio skaičiaus degalus gali nesklandžiai veikti variklis, tai pažeis variklį.

Alyva dvitaktiams varikliams

- Siekdami geriausių rezultatų ir našumo, naudokite Husqvarna dvitaktių variklių alyvą.
- Jei negalite gauti Husqvarna dvitaktio variklio alyvos, naudokite geros kokybės dvitaktių variklio alyvą, skirtą oru aušinamiems varikliams. Norėdami išsirinkti tinkamą alyvą, kreipkitės į techninio aptarnavimo atstovą.



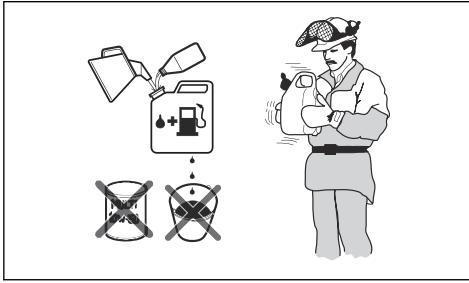
PASTABA: Niekada nenaudokite dvitaktės alyvos, skirtos vandeniu aušinamiems valčių varikliams, dar vadinamos valčių variklių alyva. Nenaudokite alyvos, skirtos keturtaktiams varikliams.

Degalų ir dvitaktių variklių alyvos maišymas

Benzinas, litrais	Dvitaktio variklio alyva, litrais
	2 % (50:1)
5	0,10
10	0,20
15	0,30
20	0,40



PASTABA: Maišant nedidelius degalų kiekius, nedidelė paklaida gali stipriai pakeisti mišinio santykį. Kruopščiai pamatuokite alyvos kiekį, kad gautumėte tinkamą mišinį.



1. Pripildykite pusę kiekio degalų švarioje talpykloje degalams.
2. Supilkite visą alyvos kiekį.
3. Suplakite degalų mišinį.
4. Tada supilkite likusią benzino dalį į talpyklą.
5. Kruopščiai suplakite degalų mišinį.



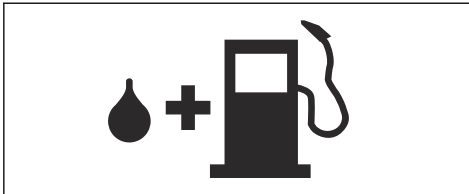
PASTABA: Nesumaišykite degalų ilgesniam nei 1 mėnesio laikotarpiui.

Kuro bakelio užpildymas



PERSPĖJIMAS: Laikykitės procedūrų, kurios skirtos užtikrinti jūsų saugą.

1. Išjunkite variklį ir palaukite, kol jis atvės.
2. Nuvalykite sritį aplink kuro bakelio dangtelį.



3. Papurtykite talpyklą, kad degalai gerai susimaišytų.
4. Lėtai nuimkite kuro bakelio dangtelį, kad išleistumėte slėgį.
5. Užpildykite degalų bakelį.



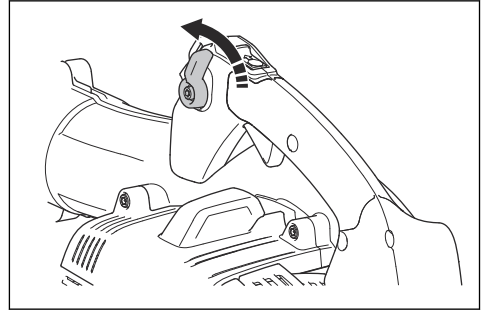
PASTABA: Degalų bakelio neperpildykite. Degalams įkaitus šie plečiasi.

6. Stipriai užsukite degalų bakelio dangtelį.
7. Išvalykite išsiliejusius degalus art gaminio ir aplink jį.
8. Prieš paleidami gaminį visada patraukite jį 3 metrus / 10 pėdų nuo degalų pildymo vietos ir degalų talpyklos.

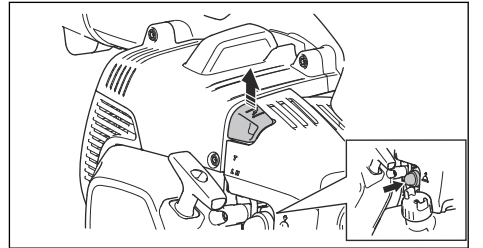
Pasižymėkite: Norėdami sužinoti, kur yra kuro bakelis jūsų gaminyje, žr. *[vadas psl. 210]*.

Gaminio paleidimas

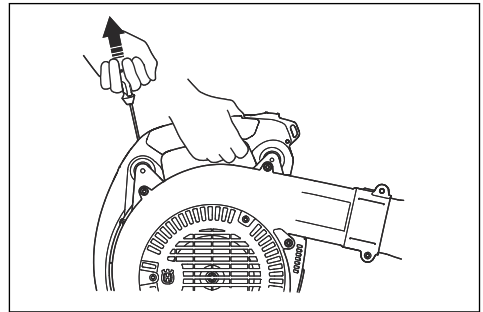
1. Nustatykite droselio valdiklį į darbo tuščiąja eiga padėtį.



2. Jeigu variklis šaltas, nustatykite oro sklendės valdiklį į uždarytos oro sklendės padėtį.



3. Kelis kartus paspauskite oro šalinimo siurbliuką, kol užsipildys degalais. Nebūtina visiškai pripildyti oro šalinimo siurbliuko.
4. Padėkite gaminį ant lygaus žemės paviršiaus.
5. Dešine ranka laikykite gaminį.



PASTABA: Nelaikykite gaminio koja.

6. Starterio lyno rankeną traukite lėtai tol, kol pajusite pasipriešinimą.
7. Greitai patraukite starterio lyno rankeną kairiąją ranka. Patraukite starterio lyno rankeną kelis kartus, kol variklis užsives.

Pasižymėkite: Netraukite starterio lyno rankenos iki galo ir nepaleiskite jos.

8. Jeigu variklis šaltas, nustatykite oro vožtuvo rankenėlę į atidarytos oro sklendės padėtį.
9. Jeigu variklis šaltas, leiskite varikliui veikti 2–3 minutes, kol pašils.



PERSPĖJIMAS: Oras išleidžiamas, kai variklis paleidžiamas ir gaminys veikia tuščiaja eiga. Neleiskite asmenims artintis prie gaminio arba pūstuvo vamzdžio.

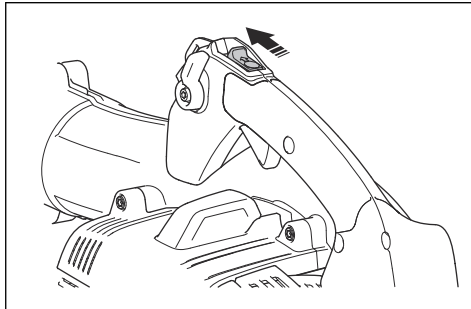
- Tinkamais sodo įrankiais atkrapštykite medžiagą nuo žemės.
- Dulketose vietose naudokite purškimo įrangą, kad sudrėkintumėte paviršių. Tokiu būdu sutrumpinsite darbo laiką.
- Baigę darbą, sandėliuokite gaminį vertikaliai.

Norėdami sustabdyti variklį



PASTABA: Nesustabdykite gaminio, kai jis veikia visu greičiu.

- Nustatykite paleidimo / stabdymo jungiklį į stabdymo padėtį.



Gaminio naudojimas

- Naudokite gaminį įprastomis darbo valandomis. Laikykitės vietinių įstatymų.
- Sumažinkite įrangos dalis ir pasirinkite savo užduočiai tinkamą greitį. Naudokite akceleratorių, nustatytą žemiausioje padėtyje, kad sumažintumėte triukšmą ir dulkių kiekį.
- Laikykite pūstuvo antgalį šalia žemės.

Pasižymėkite: Husqvarna rekomenduoja naudoti visą pūstuvo antgalio pailginimą.

- Įsidėmėkite vėjo kryptį ir naudokite gaminį atsižvelgdami į ją.

Techninė priežiūra

Įvadas



PERSPĖJIMAS: Prieš prižiūredami produktą, perskaitykite ir supraskite saugos skyrių.

Priežiūros grafikas

Techninės priežiūros darbas	Kasdien	Savaitinė	Kiekvie- ną mėnesį
Nuvalykite išorinius paviršius.	X		
Patikrinkite, ar akceleratoriaus gaidukas tinkamai veikia.	X		
Patikrinkite, ar paleidimo / stabdymo jungiklis tinkamai veikia. Žr. <i>Paleidimo / išjungimo jungiklio patikra psl. 213.</i>	X		
Patikrinkite variklį, degalų bakelį ir degalų žarnes, ar nėra nuotėkio. Patikrinkite, ar nepažeistas kuro filtras. Jeigu reikia, kuro filtrą pakeiskite.	X		
Išvalykite oro filtrą. Jeigu jis vis tiek nešvarus, oro filtrą pakeiskite.	X		
Priveržkite varžles ir varžtus.	X		
Patikrinkite oro įsiurbimo groteles, kad įsitikintumėte, ar jos neužblokuotos.	X		
Patikrinkite, ar nesugadintas starteris ir starterio virvė.		X	

Techninės priežiūros darbas	Kasdien	Savaitinė	Kiekvie- nų mėnesį
Patikrinkite, ar virpesių slopintuvai nėra pažeisti, įtrūkę ir deformuoti. Patikrinkite, ar virpesių slopintuvai sumontuoti pagal reikalavimus.		X	
Patikrinkite uždegimo žvakę. Žr. <i>Žvakės patikra psl. 217.</i>		X	
Išvalykite aušinimo sistemą.		X	
Išvalykite karbiuratoriaus išorinį paviršių ir plotą aplink jį.		X	
Išvalykite kuro baką.			X
Patikrinkite visus laidus ir jungtis.			X
Patikrinkite ir nuvalykite duslintuvo kibirkščių gesinimo tinklėlį (gaminiai be katali- zatoriaus).		X	
Patikrinkite ir nuvalykite duslintuvo kibirkščių gesinimo tinklėlį (gaminiai su katali- zatoriumi).			X
Pakeiskite uždegimo žvakę. Įsitinkite, kad jis turi pritvirtintą slopintuvą.			X

Greičio tuščiaja eiga reguliavimas

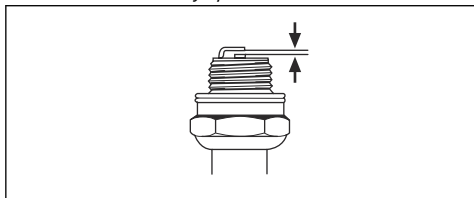
1. Pasižiūrėkite, ar oro filtras yra švarus ir ar uždėtas oro filtro dangtelis.
2. Laisvosios eigos apsisukimus reguliuokite varžtu. Norėdami sužinoti, kur yra laisvosios eigos greičio reguliavimo varžtas jūsų gaminyje, žr. *Gaminio apžvalga psl. 210.*

Žvakės patikra



PASTABA: Naudokite rekomenduojamą uždegimo žvakę. Žr. *Žvakės patikra psl. 217.* Netinkama uždegimo žvakė gali sugadinti gaminį.

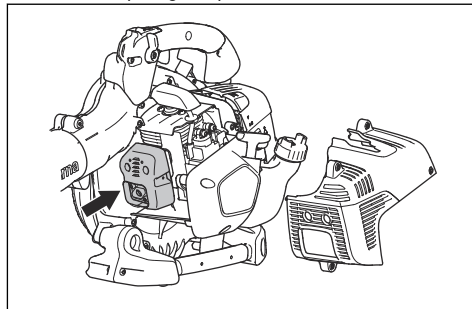
1. Išjunkite variklį ir palaukite, kol gaminys atvės.
2. Jei uždegimo žvakė nešvari, nuvalykite ją.
3. Patikrinkite, ar tarpas tarp elektrodų yra tinkamas. žr. *Techniniai duomenys psl. 220.*



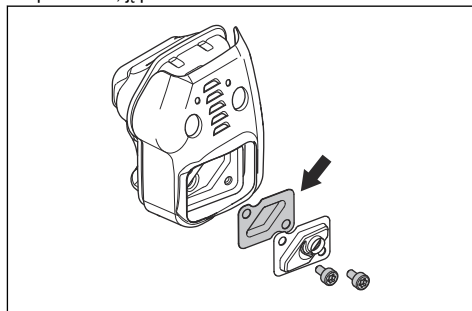
4. Keiskite uždegimo žvakę kas mėnesį ar dažniau, jei reikia.

Duslintuvo priežiūra

1. Išjunkite variklį ir palaukite, kol atvės duslintuvas. Mūvėkite apsaugines pirštines.



2. Nuimkite duslintuvo gaubtą.
3. Apžiūrėkite Jeigu kibirkščių gesinimo tinklėlis pažeistas, jį pakeiskite.



Aušinimo sistemos patikrinimas ir išvalymas

Aušinimo sistemą sudaro aušinimo briaunos ant cilindro ir oro įsiurbimo grotelės.

1. Išjunkite variklį.
2. Patikrinkite, ar aušinimo sistema neužteršta ir neužsikimšusi. Jei reikia, nuvalykite oro įsiurbimo grotelės ir aušinimo briaunas.



PASTABA: Jei aušinimo sistema nešvari ar užsikimšusi, gali perkaisti variklis ir dėl to sugesti gaminys. Dėl užsikimšusių oro įsiurbimo grotelių silpnėja pūtimo jėga.

3. Patikrinkite, ar nepažeista aušinimo sistema. Pasi rūpinkite, kad dalys būtų tinkamai pritvirtintas prie gaminio.

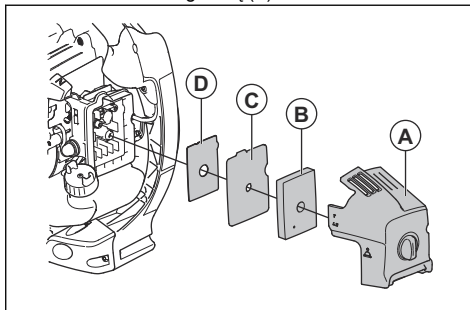
Oro filtro valymas



PASTABA: Nenaudokite gaminio be oro filtro arba su pažeistu oro filtru. Ore esančios dulkės gali pažeisti variklį.

1. Pastumkite oro sklendės rankenėlę į uždarytos oro sklendės padėtį.

2. Nuimkite oro filtro gaubtą (A).



3. Iš filtro rėmelio išimkite oro filtrą (B).
4. Išplaukite oro filtrą (B) šiltame muiluo tame vandenyje.

Pasižymėkite: Ilgai naudoto oro filtro negalima iki galo išvalyti. Reguliariai keiskite oro filtrą ir visuomet pakeiskite sugadintą oro filtrą.

5. Nuvalykite vidinį oro filtro dangtelio (A) paviršių šepetėliu.
6. Išimkite ir pakeiskite veltinio filtrą (C), jei jis purvinas.
7. Uždėkite tinklėlį (D), veltinio filtrą (C) ir oro filtrą (B).
8. Pritvirtinkite oro filtro dangtelį (A) prie gaminio.

Gedimai ir jų šalinimas

Neįmanoma užvesti variklio

Tikrinkite toliau išvardytus dalykus	Galima priežastis	Sprendimas
Stabdymo mygtukas.	Sustabdymo padėtis	Stabdymo jungiklį nustatykite į paleidimo padėtį.
Starterio strektė (-ės).	Užblokuota (-os) arba nusi-dėvėjusi (-ios) starterio strektė (-ės).	Sureguliuokite arba pakeiskite starterio strektę (-es).
		Nuvalykite sritį aplink starterio strektę (-es). Kreipkitės į įgaliotą priežiūros specialistą.
Degalų bakelis.	Netinkama degalų rūšis.	Ištuštinkite degalų bakelį ir naudokite tinkamus degalus.
Karbiuratorius.	Tuščios eigos greičio reguliavimas.	Laisvosios eigos apsisukimus reguliuokite koregavimo varžtu.

Neįmanoma užvesti variklio		
Tikrinkite toliau išvardytus daiktus	Galima priežastis	Sprendimas
Kibirkštis (nėra kibirkšties).	Uždegimo žvakė nešvari arba drėgna.	Pasirūpinkite, kad uždegimo žvakė būtų sausa ir švari.
	Netinkamas tarpas tarp elektrodų ant uždegimo žvakės.	Išvalykite žvakę. Patikrinkite, ar tarpas tarp elektrodų yra tinkamas. Įsitinkinkite, kad uždegimo žvakėje yra slopintuvas. Informacijos apie tinkamą tarpą tarp elektrodų rasite techniniuose duomenyse.
Uždegimo žvakė.	Uždegimo žvakė nepriberžta.	Priveržkite uždegimo žvakę.
	Ant uždegimo žvakės elektrodų yra nepažeidžiamos medžiagos.	Įsitinkinkite, kad naudojate tinkamą kuro mišinį. Patikrinkite, ar oro filtras yra švarus.

Variklis užsiveda, tačiau vėl užgęsta		
Tikrinkite toliau išvardytus daiktus	Galima priežastis	Sprendimas
Degalų bakelis.	Netinkama degalų rūšis.	Išleiskite ir naudokite tinkamą kurą.
Karbiuratorius.	Variklis neveikia tinkamai tuščiajame eiga.	Kreipkitės į techninio aptarnavimo atstovą.
Oro filtras.	Užsikimšęs oro filtras	Išvalykite oro filtrą.

Gabenimas ir laikymas



PERSPĖJIMAS: Kad išvengtumėte gaisro pavojaus, įsitinkinkite, kad gabenimo ar laikymo metu nėra nuotėkių arba dūmų. Įsitinkinkite, kad nėra kibirkščių arba gaisro pavojaus.

- Ištuštinkite degalų bakelį prieš gabenimą arba ilgą laikymą. Pastumkite oro šalinimo siurbliuką, kad užtikrintumėte, jog visi degalai išleisti. Degalus išleiskite tinkamoje šalinimo vietoje.
- Prieš palikdami saugoti ilgesniam laikui, įsitinkinkite, kad gaminys yra švarus ir atlikti visi priežiūros darbai.
- Išsukite uždegimo žvakę ir į cilindrą įpilkite maždaug 15 ml dvitakčių variklių alyvos. Pasukite gaminį 3 kartus ir vėl įsukite uždegimo žvakę.
- Gabenimo metu gaminį saugiai pritvirtinkite prie transporto priemonės.
- Laikykite gaminį sausoje, vėsioje ir švarioje vietoje, kurioje yra geras oro srautas. Saugokite gaminį nuo vaikų.

Techniniai duomenys

Techniniai duomenys

Husqvarna 525BX	
Variklis	
Cilindro darbinis tūris, cm ³	25,4
Greitis tuščiąja eiga, aps./min	3 000
Katalizatorius	Taip
Uždegimo sistema	
Degimo žvakė	NGK BPMR8Y
Tarpas tarp elektrodų, mm	0,6–0,7
Degalų ir tepimo sistema	
Kuro bakelio talpa, l / cm ³	0,45 / 450
Svoris	
Svoris be degalų, kg	4,4
Skleidžiamas triukšmas⁴⁶	
Garso stiprumo lygis, išmatuotas dB (A)	104
Garso galios lygis, garantuojamas L _{WA} dB (A)	106
Garso lygiai⁴⁷	
Tolygus garso slėgio naudotojo ausiai lygis, išmatuotas pagal EN15503, dB(A):	
Su apvaliu antgaliu	91
Su plokščiu antgaliu	92
Vibracijos lygis⁴⁸	
Ekvivalentiški rankenų vibracijos lygiai (a _{hv,eq}), išmatuoti pagal EN 15503, m/s ²	
Su apvaliu antgaliu	1,2
Su plokščiu antgaliu	2,0
Ventiliatoriaus parametrai	
Didžiausias galimas oro srauto greitis naudojant apskritą antgalį (m/s)	70
Maksimalus oro greitis su plokščiu antgaliu, m/s	86
Oro srautas naudojant apvalų antgalį (m ³ /min.)	13

⁴⁶ Triukšmas, skleidžiamas į aplinką, išmatuotas kaip garso galia (L_{WA}) pagal EB direktyvą 2000/14/EB. Pateiktas įrenginio garso stiprumo lygis buvo išmatuotas naudojant didžiausią garsą sukeltantį originalų pūstuvo antgaliu. Skirtumas tarp garantuojamojo ir matuojamojo garso stiprumo yra tas, kad pagal Direktyvą 2000/14/EB garantuojamasis garso stiprumas apima ir matavimo rezultatų sklaidą bei nukrypimus tarp skirtingų to pačio modelio įrenginių.

⁴⁷ Pateikiamų triukšmo slėgio duomenų būdingoji statistinė sklaida (standartinis nuokrypis) lygi 1,0 dB (A).

⁴⁸ Pateiktuose vibracijos lygio duomenyse yra 1,0 m/s² tipiška statistinė sklaida (standartinis nuokrypis).

	Husqvarna 525BX
Oro srautas naudojant plokščią antgalį (m ³ /min.)	10

EB atitikties deklaracija

EB atitikties deklaracija

Husqvarna AB, SE-561 82 Huskvarna, Švedija, tel.: +46-36-146500, patvirtina, kad pūstuvus **Husqvarna 525BX**, kurio serijos numeris yra 2016 ir vėlesnis (metai aiškiai nurodyti ant vardinių parametru plokštelės, po jų – serijos numeris), atitinka šių TARYBOS DIREKTYVŲ reikalavimus:

- 2006 m. gegužės 17 d. įrengimų direktyvos **2006/42/EB**.
- 2014 m. vasario 26 d. direktyva **2014/30/ES** dėl elektromagnetinio suderinamumo;
- 2000 m. gegužės 8 d. direktyvos **2000/14/EB** dėl į aplinką skleidžiamo triukšmo. Atitikties įvertinimas remiantis V priedu. Daugiau informacijos apie triukšmo emisiją žr. sk. „*Techniniai duomenys psl. 220*“.
- 2011 m. birželio 8 d. Direktyvos **2011/65/ES** dėl tam tikrų pavojingų medžiagų naudojimo elektros ir elektroninėje įrangoje apribojimo.

Taikyti šie standartai:

EN ISO 12100-2/A1:2009, CISPR 12:2009, EN 15503:2009/A2:2015, EN 50581:2012

RISE SMP Svensk Maskinprovning AB, atliko savanorišką tipo tyrimą Husqvarna AB vardu. Sertifikatui suteiktas numeris: **SEC/14/2423** - 525BX

Huskvarna, 2020-01-01



Per Gustafsson, plėtos vadovas (igaliotasis „Husqvarna AB“ atstovas, atsakingas už techninę dokumentaciją).

Saturs

Ievads.....	223	Problēmu novēršana.....	232
Drošība.....	224	Pārvadāšana un uzglabāšana.....	233
Montāža.....	227	Tehniskie dati.....	234
Lietošana.....	227	EK atbilstības deklarācija.....	236
Apkope.....	229		

Ievads

Izstrādājuma apraksts

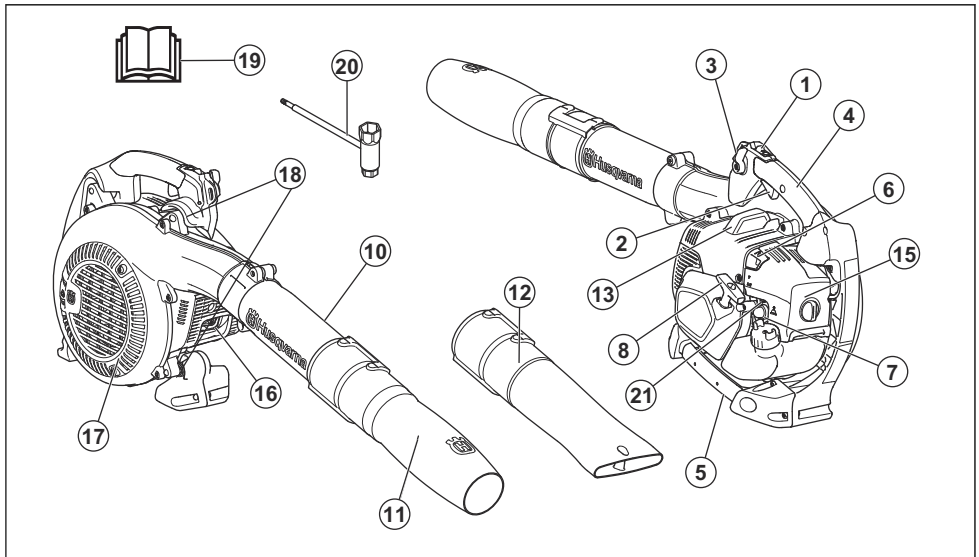
Šis izstrādājums ir pūtējs ar benzīna dzinēju.

Mēs pastāvīgi strādājam, lai pilnveidotu savus izstrādājumus, un tāpēc paturam tiesības izdarīt izmaiņas, piemēram, izstrādājumu formai un izskatam bez iepriekšēja paziņojuma.

Izstrādājuma pārskats

Paredzētā lietošana

Izmantojiet izstrādājumu lapu un cita nevēlama materiāla aizpūšanai no tādām vietām kā zālāji, gājēju ietves un asfaltēti ceļi.



1. Iedarbināšanas/apturēšanas slēdzis
2. Droseles mēlīte
3. Droseles vadības svira
4. Vadības rokturis
5. Rokturis
6. Gaisa vārsta vadība
7. Degvielas sūknis
8. Startera auklas rokturis
9. Skavas skrūve
10. Starpcaurule
11. Apaļš uzgalis
12. Plakanais uzgalis
13. Aizdedzes svece
14. Degvielas tvertnes vāciņš
15. Gaisa filtrs
16. Slāpētājs
17. Gaisa ieplūdes sietfiltrs
18. Vibrāciju samazināšanas sistēma
19. Lietošanas rokasgrāmata
20. Kombinētā uzgriežņu atslēga

Simboli uz izstrādājuma



BRĪDINĀJUMS! Šis izstrādājums var būt bīstams un radīt smagas vai nāvējošas traumas operatoram vai citām personām. Esiet uzmanīgi un lietojiet izstrādājumu pareizi.



Rūpīgi izlasiet šo lietotāja rokasgrāmatu un pirms izstrādājuma lietošanas pārliecinieties, vai izprotat instrukcijas.



Izmantojiet apstiprinātus dzirdes un acu aizsarglīdzekļus. Ja strādājat putekļainā vidē, lietojiet elpceļu aizsargmasku.



Izmantojiet apstiprinātus aizsargcimdus.



Šis izstrādājums atbilst spēkā esošajām EK direktīvām.



Benzīna un divtaktu dzinēja eļļas maisījums.



Atgaisošanas sūkņa balons.



Gaisa vārsts, atvērta pozīcija.



Gaisa vārsts, aizvērta pozīcija.



Trokšņa izplūde vidē atbilstoši Eiropas Direktīvai 2000/14/EK un Jaundienvidviesas tiesību aktiem "Darba vidē aizsardzības

(trokšņa kontroles) regula (2017)". Trokšņa izplūdes dati ir atrodami uz iekārtas etiķetes un tehnisko datu nodaļā.



Uzmanieties no izsviestiem objektiem. Izsviesti objekti var radīt nopietnas traumas. Lietojiet individuālos aizsardzības līdzekļus.



Ievērojiet drošības distanci — citas personas vai dzīvnieki nedrīkst atrasties tuvāk par 15 m.

yyyywwxxxxx

Datu plāksnītē ir norādīts sērijas numurs. **yyyy** ir ražošanas gads un **ww** ir ražošanas nodaļa.

Piezīme: Pārējie uz izstrādājuma norādītie simboli/uzlīmes attiecas uz citu tirdzniecības nozaru prasībām.

Euro V emisija



BRĪDINĀJUMS: Motora atvēršana anulē šī ķēdes zāģa ES tipa apstiprinājumu.

Atbildība par izstrādājuma kvalitāti

Saskaņā ar likumiem par izstrādājuma kvalitāti mēs neuzņemamies atbildību par bojājumiem, ko radījis mūsu izstrādājums, ja:

- ir veikts nepareizs izstrādājuma remonts;
- izstrādājuma remonts ir veikts, izmantojot detaļas, ko nav nodrošinājis vai apstiprinājis ražotājs;
- izstrādājumam tiek pievienots piederums, ko nav nodrošinājis vai apstiprinājis ražotājs;
- izstrādājuma remonts nav veikts pilnvarotā remontdarbnīcā vai pie pilnvarota speciālista.

Drošība

Drošības definīcijas

Tālāk sniegtās definīcijas norāda katra signālvārda nozīmīguma līmeni.



BRĪDINĀJUMS: Traumas.



IEVĒROJIET: Izstrādājuma bojājumi.

Piezīme: Šī informācija atvieglo izstrādājuma lietošanu.

Vispārīgi norādījumi par drošību



BRĪDINĀJUMS: Pirms izstrādājuma lietošanas izlasiet tālāk izklāstītos brīdinājumus.

- Bez ražotāja apstiprinājuma neveiciet nekādas izstrādājuma izmaiņas un vienmēr izmantojiet oriģinālos piederumus. Neapstiprinātas izmaiņas un/vai piederumi var radīt nopietnas traumas vai operatora vai citu personu nāvi.
- Nelietojiet bojātu izstrādājumu. Veiciet drošības pārbaudes un tehnisko apkopi, kas norādīta šajā lietošanas rokasgrāmatā. Visi pārējie apkopes darbi ir jāveic apstiprināta servisa darbiniekiem.
- Visi pārējie apkopes darbi un remonts ir jāveic apstiprināta servisa darbiniekiem. Ja kāda izstrādājuma daļa ir bojāta, sazinieties ar izplatītāju, kas nodrošina apkopi.

Darba drošības norādījumi



BRĪDINĀJUMS: Pirms izstrādājuma lietošanas izlasiet tālāk izklāstītos brīdinājumus.

- Šis izstrādājums var būt bīstams un izraisīt nopietnas vai nāvējošas traumas operatoram vai citām personām. Esiet uzmanīgs un lietojiet izstrādājumu pareizi.
- Pirms lietošanas pārbaudiet izstrādājumu. Sk. *Apkope lpp. 229*.
- Neizmantojiet šo izstrādājumu, ja esat noguris, slims vai lietojis alkoholu vai citas vielas, kas var ietekmēt redzi, spriešanas spējas vai koordināciju.
- Pirms lietošanas uzlieciet visus pārsegus un aizsargus. Lai nepieļautu elektrotriecienu, pārbaudiet, vai nav bojāts aizdedzes sveces vāciņš un aizdedzes vads.
- Neaiztieciet aizdedzes sveci vai aizdedzes vadu, kamēr darbojas dzinējs.
- Ievērojiet drošības distanci — citas personas vai dzīvnieki nedrīkst atrasties tuvāk par 15 m. Ja kāda persona, bērns vai dzīvnieks pienāk tuvāk par 15 m, izslēdziet izstrādājumu. Gādājiet, lai izstrādājums nebūtu vērstu personu, dzīvnieku, atvērtu logu un citu priekšmetu virzienā.
- Neļaujiet bērniem darbināt izstrādājumu. Gādājiet, lai visi operatori būtu izlasījuši un izpratuši šīs lietošanas rokasgrāmatas saturu.
- Izstrādājuma lietošanas laikā nepieskarieties pūtēja korpusam ar rokām un nenovietojiet uz tā citus priekšmetus. Rotējošas daļas var radīt nopietnas traumas.
- Nelietojiet izstrādājumu, ja nav uzstādīts gaisa ieplūdes sieffiltrs. Pirms lietošanas noteikti pārbaudiet, vai ir uzstādīts un nav bojāts gaisa ieplūdes sieffiltrs.

- Ārkārtas situācijā atvienojiet stiprinājuma vidusjostu un krūšu daļas siksnu, ļaujot izstrādājumam nokrist.
- Ievērojiet nacionālos noteikumus un norādījumus.
- Netuviniet ķermeņa daļas karstām virsmām.
- Pārāk liela vibrācija var radīt asinsrites vai nervu sistēmas bojājumus. Vērsieties pie ārsta, ja novērojat tādu simptomus kā nejutība, jutības traucējumi, tirpšana, durstīga sajūta, sāpes, nespēks, pirkstu, roku vai locītavu ādas krāsas izmaiņas.
- Uzmanietais no izviesiem objektiem. Izviesi objekti var radīt nopietnas traumas.
- Neizmantojiet izstrādājumu sliktos laikapstākļos, piemēram, miglā, lietū, spēcīgā vējā un ļoti lielā aukstumā. Darba veikšana sliktos laikapstākļos var izraisīt nogurumu un bīstamas situācijas.
- Pārļiecinieties, vai varat kustēties un strādāt stabilā stāvoklī. Pārbaudiet, vai darba veikšanas zonā nav iespējama šķēršļu, piemēram, akmeņu. Strādājot ar šo izstrādājumu nogāzēs, jāievēro piesardzība.
- Nelieciet izstrādājumu zemē, kad tā dzinējs darbojas.
- Neizmantojiet izstrādājumu, atrodoties augstumā, piemēram, uz trepēm.
- Gādājiet, lai jūs vienmēr kāds sadzirdētu, ja notiek nelaimes gadījums.
- Pārļiecinieties, vai nav bloķēta izplūdes gāzu caurule. Lai novērstu izstrādājuma bojājumus, izplūdes gāzu caurules tuvumā (vismaz 50 cm attālumā) nedrīkst būt šķēršļu.
- Nelietojiet izstrādājumu telpās, slikti ventilētās vietās vai uzliesmojošu materiālu tuvumā. Dzinēja izplūdes gāzu sastāvā ir oglekļa monoksīds, kas var izraisīt saindēšanos. Izplūdes gāzes ir karstas, un tajās var būt dzirksteles, kas var izraisīt aizdegšanos.

Individuālie aizsarglīdzekļi



BRĪDINĀJUMS: Pirms izstrādājuma lietošanas izlasiet tālāk izklāstītos brīdinājumus.

- Izmantojot izstrādājumu, lietojiet apstiprinātu personīgo aizsargaprīkojumu. Individuālie aizsarglīdzekļi nevar pilnībā novērst traumu gūšanas risku, taču var samazināt traumas smagumu. Lai iegūtu plašāku informāciju, sazinieties ar savu izplatītāju.
- Izmantojiet apstiprinātus dzirdes aizsarglīdzekļus. Ilgstoša uzturēšanās trokšņainā vidē var radīt neatgriezeniskus dzirdes bojājumus.
- Izmantojiet apstiprinātus acu aizsarglīdzekļus. Apstiprinātas aizsargbrilles ir jālieto arī tad, ja tiek izmantots sejšegs. Apstiprinātas aizsargbrilles ir tādas, kas atbilst standarta ANSI Z87.1 prasībām ASV vai standarta EN 166 prasībām ES valstīs.
- Izstrādājuma izmantošanas un tehniskās apkopes laikā izmantojiet aizsargcimdus.

- Izmantojiet aizsargapavus vai apavus ar neslīdošu zoli.
- Valkājiet no izturīga auduma darinātu apģērbu, kas pārklāj visu ķermeni. Neizmantojiet rotaslietas vai atvērtus apavus. Lai mazinātu traumu gūšanas risku, jūsu apģērbam ir jābūt pieguļošam, taču tas nedrīkst ierobežot kustības. Lai novērstu matu nokļūšanu rotējošās daļās vai aizķeršanos aiz zariem, sakārtojiet tos tā, lai tie būtu virs pleciem.
- Ja strādājat putekļainā vidē, izmantojiet elpceļu aizsarglīdzekļus.
- Turiet tuvumā neatliekamās palīdzības aprīkojumu.

Izstrādājuma drošības ierīces



BRĪDINĀJUMS: Pirms sākat lietot izstrādājumu, izlasiet tālāk izklāstītās brīdinājuma instrukcijas.

- Nelietojiet izstrādājumu ar bojātām drošības ierīcēm.
- Regulāri pārbaudiet drošības ierīces. Sk. *Apkope lpp. 229.*
- Ja drošības ierīces ir bojātas, sazinieties ar vietējo Husqvarna apkopes sniedzēju.

Slāpētāja pārbaude



BRĪDINĀJUMS: Neizmantojiet izstrādājumu, ja ir bojāts slāpētājs.



BRĪDINĀJUMS: Slāpētājs lietošanas laikā, pēc tās un darbojoties brīvgaitā kļūst ļoti karsts. Lietojiet aizsargcimdus, lai novērstu apdegumus.



BRĪDINĀJUMS: Slāpētāja iekšpusē ir ķīmiskas vielas, kas var būt kancerogēnas. Nepieskarieties slāpētājam, ja tas ir bojāts.

- Regulāri apskatiet slāpētāju, lai pārbaudītu, vai tas nav bojāts. Trokšņa slāpētājs nodrošina minimālu troksni un novirza dzinēja izplūdes gāzes prom no operatora. Sk. *Slāpētāja apkope lpp. 231.*

Vibrāciju slāpēšanas sistēmas pārbaude

1. Pārbaudiet, vai vibrāciju slāpēšanas bloki nav ieplaisājuši vai deformēti.
2. Pārbaudiet, vai vibrāciju slāpēšanas bloki ir pareizi piestiprināti motora blokam un roktura blokam.

Informāciju par to, kur konkrētajā ķēdes zāģī atrodas vibrāciju slāpēšanas sistēma, skatiet šeit: *Izstrādājuma pārskats lpp. 223.*

Start/Stop (ieslēgšanas/izslēgšanas) slēdža pārbaude

1. Lai izslēgtu motoru, izmantojiet Start/Stop slēdzi.
2. Pārlicinieties, vai dzinējs pilnībā apstājas.

Informāciju par to, kur atrodas Start/Stop slēdzis, sk. *Izstrādājuma pārskats lpp. 223.*

Drošības norādījumi, rīkojoties ar degvielu



BRĪDINĀJUMS: Pirms izstrādājuma lietošanas izlasiet tālāk izklāstītos brīdinājumus.

- Nemaisiet un neuzpildiet degvielu iekštelpās vai karstuma avotu tuvumā.
- Neiedarbiniet izstrādājumu, ja uz tā vai jūsu ķermeņa ir izlijusi degviela vai eļļa.
- Neiedarbiniet izstrādājumu, ja dzinējā ir degvielas sūce. Regulāri pārbaudiet, vai dzinējā nav radusies degvielas sūce.
- Vienmēr esiet piesardzīgs, rīkojoties ar degvielu. Degviela un tās tvaiki ir uzliesmojoši un sprādzienbīstami; tas var izraisīt traumas un nāves gadījumus.
- Neieelpojiet degvielas tvaikus, jo tie var izraisīt savainojumus. Pārlicinieties, vai gaisa plūsma ir pietiekama.
- Nesmēķējiet degvielas vai dzinēja tuvumā.
- Nenovietojiet izstrādājumu vai degvielas tvertni siltu priekšmetu, atklātas liesmas, dzirksteles vai signāllampīņas tuvumā.
- Vienmēr izmantojiet apstiprinātās tvertnes degvielas glabāšanai un transportēšanai.

Norādījumi par drošu apkopi



BRĪDINĀJUMS: Pirms izstrādājuma lietošanas izlasiet tālāk izklāstītos brīdinājumus.

- Pirms tehniskās apkopes un montāžas izslēdziet dzinēju, izņemiet aizdedzes sveici un ļaujiet dzinējam atdzist.
- Ja dzirksteļu uztvērējs ir nosprostots, dzinējs pārāk stipri uzkarst un tiek bojāts.
- Ja dzirksteļu uztvērēja siets bieži aizsērē, iespējams, ir pasliktinājies katalizatora darbība. Lai pārbaudītu slāpētāju, sazinieties ar izplatītāju, kas nodrošina apkopi.

Montāža

Ievads

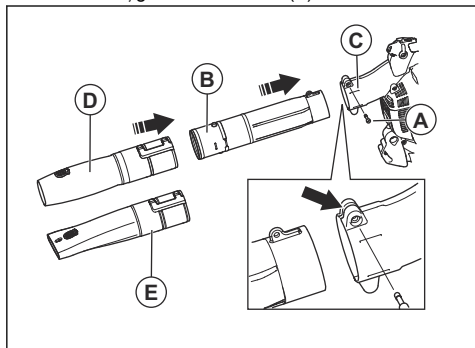


BRĪDINĀJUMS: Pirms izstrādājuma montāžas izlasiet un izprotiet drošības norādījumus.

2. Uzstādiēt starpposma cauruli (B) uz pūtēja caurules (C).
3. Uzstādiēt un piegrieziet skavas skrūvi (A).
4. Uzstādiēt apaļo uzgali (D) vai plakano uzgali (E) uz starpcaurules.

Pūtēja caurules montāža

1. Atlaidiet vaļīgāk skavas skrūvi (A).



Lietošana

Ievads



BRĪDINĀJUMS: Pirms produkta lietošanas izlasiet un izprotiet drošības norādījumus.



IEVĒROJIET: Neizmantojiet benzīnu, kura oktānskaitlis ir mazāks nekā 90 RON/87 AKI. Degviela ar zemāku oktānskaitli var radīt motora kļaudzēšanu, kas savukārt rada motora bojājumus.

Degviela

Šim izstrādājumam ir divtaktu dzinējs.



IEVĒROJIET: Nepareiza veida degviela var sabojāt dzinēju. Izmantojiet benzīna un divtaktu dzinēja eļļas maisījumu.

Divtaktu eļļa

- Lai uzlabotu rezultātus un veiktspēju, izmantojiet Husqvarna divtaktu dzinēja eļļu.
- Ja Husqvarna divtaktu dzinēja eļļa nav pieejama, izmantojiet kvalitatīvu divtaktu dzinēju eļļu, kas paredzēta motoriem ar gaisa dzesēšanu. Lai izvēlētu pareizu eļļu, sazinieties ar vietējo apkopes sniedzēju.

Iepriekš sajaukta degviela

- Lai uzlabotu veiktspēju un pagarinātu motora darbību, izmantojiet Husqvarna iepriekš sajauktu alkilātu degvielu. Šī degviela satur mazāk ķīmisku vielu, salīdzinot ar parasto degvielu, tādējādi tiek samazināts kaitīgo izplūdes gāzu apjoms. Izmantojot šo degvielu, atliekvielu līmenis pēc sadegšanas ir zemāks, kas saglabā tīrus motora komponentus.



IEVĒROJIET: Nelietojiet divtaktu dzinēja eļļu, kas paredzēta ar ūdeni dzesējamiem piekarināmiem dzinējiem; šādu eļļu dēvē arī par piekarināmu dzinēju eļļu. Nelietojiet četrtaktu dzinējiem paredzētu eļļu.

Degvielas sajaukšana

Benzīns

- Izmantojiet labas kvalitātes bezsvina benzīnu ar maksimālo etanola saturu 10%.

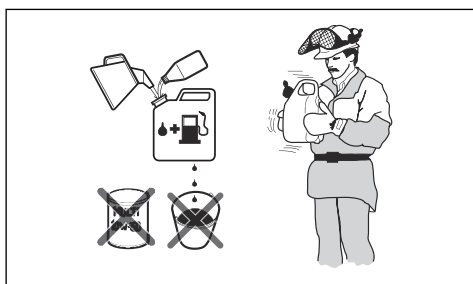
Benzīna un divtaktu dzinēja eļļas sagatavošana

Benzīns, litri	Divtaktu dzinēja eļļa, litri
----------------	------------------------------

	2% (50:1)
5	0,10
10	0,20
15	0,30
20	0,40



IEVĒROJIET: Samaisot mazu degvielas daudzumu, nelielas kļūdas var būtiski ietekmēt maisījuma attiecību. Rūpīgi nomēriet eļļas daudzumu un pārbaudiet, vai tiek iegūts pareizs maisījums.



1. Iepildiet pusi benzīna daudzuma tīrā degvielas tvertnē.
2. Pievienojiet visu daudzumu eļļas.
3. Sakratiet degvielas maisījumu.
4. Pievienojiet tvertnē pārējo benzīna daudzumu.
5. Rūpīgi sakratiet degvielas maisījumu.



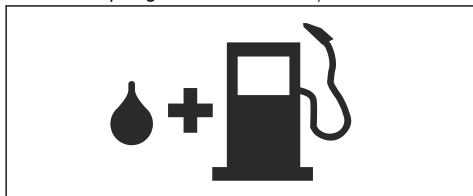
IEVĒROJIET: Vienā reizē sajauciet degvielu, lai tās pietiek tikai 1 mēnesim.

Degvielas tvertnes uzpilde



BRĪDINĀJUMS: Drošības nolūkā ievērojiet tālāk norādīto procedūru.

1. Apturiet dzinēja darbību un ļaujiet tam atdzist.
2. Satīriet ap degvielas tvertnes vāciņu.



3. Sakratiet tvertni un pārbaudiet, vai degviela ir pilnībā sajaukusies ar eļļu.

4. Degvielas tvertnes vāciņu atveriet lēnām, lai samazinātu spiedienu.
5. Uzpildiet degvielas tvertni.



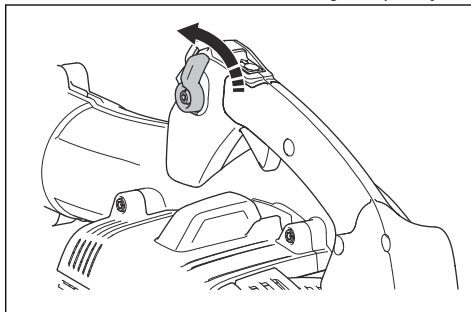
IEVĒROJIET: Pārliecinieties, ka degvielas tvertnē nav pārāk daudz degvielas. Uzkarstot degviela izplešas.

6. Rūpīgi pievelciet degvielas tvertnes vāciņu.
7. Notīriet degvielu, kas izlījusi uz izstrādājuma un ap to.
8. Pirms izstrādājuma iedarbināšanas pārvietojiet to vismaz 3 m/10 pēdu attālumā no degvielas uzpildīšanas vietas un degvielas avota.

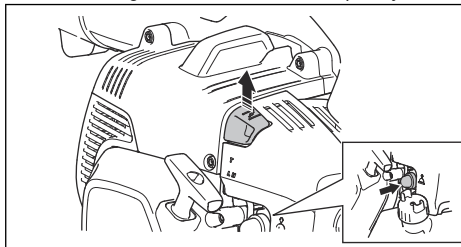
Piezīme: Informāciju par to, kur atrodas konkrētā izstrādājuma degvielas tvertne, sk. *Ievads lpp. 223*.

Izstrādājuma iedarbināšana

1. Iestatiet droses vadības ierīci tukšgaitas pozīcijā.

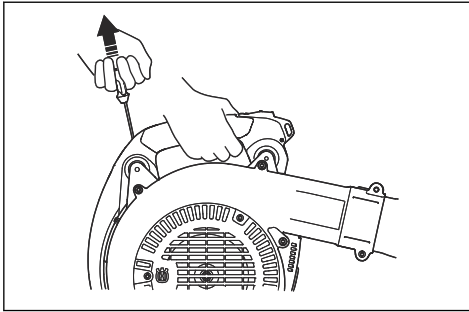


2. Ja dzinējs ir auksts, iestatiet gaisa vārsta vadības ierīci tā, lai gaisa vārsts būtu aizvērtā pozīcijā.



3. Vairākas reizes saspiediet atgaisošanas sūkņa balonu, līdz degviela sāk to piepildīt. Atgaisošanas sūkņa balons nav obligāti jāuzpilda līdz galam.
4. Novietojiet izstrādājumu zemē (līdzinā vietā).

5. Turiet izstrādājumu ar labo roku.



IEVĒROJIET: Nekāpiet uz izstrādājuma ar kājām, lai noturētu to.

6. Lēni velciet startera auklas rokturi, līdz sajūtat pretestību.
7. Ar kreiso roku strauji pavelciet startera auklas rokturi. Vairākas reizes strauji un spēcīgi pavelciet startera auklas rokturi, līdz dzinējs iedarbojas.

Piezīme: Neizvelciet startera auklas rokturi līdz galam un neatlaidiet to.

8. Ja dzinējs ir auksts, iestatiet gaisa vārsta vadības ierīci atvērtā pozīcijā.
9. Ja dzinējs ir auksts, pirms izstrādājuma izmantošanas ļaujiet dzinējam iesilt, darbinot to 2–3 minūtes.



BRĪDINĀJUMS: Gaiss sāk plūst tad, kad ir iedarbināts dzinējs un izstrādājums darbojas brīvgaitā. Gādājiet, lai izstrādājumam vai pūtēja caurulei netuvojas citi cilvēki.

Izstrādājuma darbināšana

- Izmantojiet izstrādājumu parastajā darba laikā. Ievērojiet vietējos noteikumus.

- Izmantojiet minimālu aprikojuma daudzumu un izvēlieties veicamajam darbam atbilstošu ātrumu. Lai novērstu nevajadzīgi lielu troksni un putekļus, izmantojiet zemāko iespējamo droseles pozīciju.
- Turiet pūtēja uzgali tuvu pie zemes.

Piezīme: Husqvarna iesaka izmantot maksimālo pūtēja uzgala garumu.

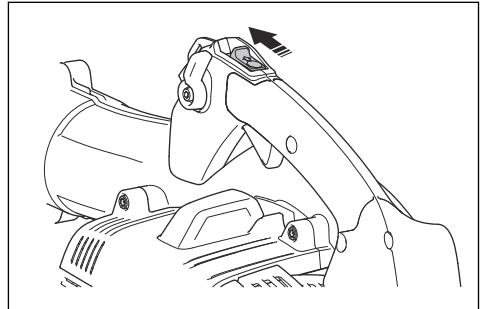
- Nosakiet vēja virzienu un izmantojiet izstrādājumu tā, lai pūšanas virziens atbilstu vēja virzienam.
- Lai atbrīvotu zemei pieķērušos materiālus, izmantojiet atbilstošus dārza darbarīkus.
- Putekļainās vietās darba veikšanas vietas samitrināšanai izmantojiet izsmidzinātāju. Tādējādi tiks samazināts izstrādājuma izmantošanas laiks.
- Kad izstrādājums netiek izmantots, glabājiet to vertikālā stāvoklī.

Dzinēja apturēšana



IEVĒROJIET: Neizslēdziet izstrādājumu, kad tas darbojas maksimālajā ātrumā.

- Iestatiet iedarbināšanas/apturēšanas slēdzi apturēšanas pozīcijā.



Apkope

Ievads



BRĪDINĀJUMS: Pirms ķēdes zāģa apkopes veikšanas izlasiet un izprotiet sadaļu par drošības pasākumiem.

Apkopes grafiks

Apkope	Katru dienu	Reizi nedēļā	Reizi mēnesī
Noīriet ārējās virsmas.	X		

Apkope	Katru dienu	Reizi nedēļā	Reizi mēnesī
Pārbaudiet, vai droseles vadība darbojas pareizi.	X		
Pārbaudiet, vai pareizi darbojas ieslēgšanas/izslēgšanas slēdzis. Sk. <i>Start/Stop (ieslēgšanas/izslēgšanas) slēdža pārbaude lpp. 226.</i>	X		
Pārbaudiet, vai dzinējā, degvielas tvertnē un degvielas caurulēs nav noplūdes. Pārbaudiet, vai degvielas filtrs nav aizsērējis. Nomainiet degvielas filtru, ja nepieciešams.	X		
Iztīriet gaisa filtru. Nomainiet gaisa filtru, ja nepieciešams.	X		
Pievelciet uzgriežņus un skrūves.	X		
Pārbaudiet gaisa ieplūdes atveri, lai pārliecinātos, vai tā nav nosprostota.	X		
Pārbaudiet, vai nav bojāts starteris un startera aukla.		X	
Pārbaudiet, vai vibrāciju slāpēšanas elementi nav bojāti, saplaisājuši vai deformējušies. Pārbaudiet, vai vibrāciju slāpēšanas elementi ir pareizi pievienoti.		X	
Pārbaudiet aizdedzes sveci. Sk. <i>Aizdedzes sveces pārbaude lpp. 230.</i>		X	
Iztīriet dzesēšanas sistēmu.		X	
Notīriet karburatora ārējo virsmu un ap to esošo laukumu.		X	
Iztīriet degvielas tvertni.			X
Pārbaudiet visus kabelus un savienojumus.			X
Pārbaudiet un iztīriet slāpētāja dzirksteļu uztvērējsietu (izstrādājumiem bez katalizatora).		X	
Pārbaudiet un iztīriet slāpētāja dzirksteļu uztvērējsietu (izstrādājumiem ar katalizatoru).			X
Nomainiet aizdedzes sveci. Pārbaudiet, vai tai ir pievienots ierobežotājs.			X

Tukšgaitas apgriezīgu skaita regulēšana

1. Pārbaudiet gaisa filtra tīrību un pārliecinieties, vai ir uzlikts gaisa filtra vāciņš.
2. Izmantojot tukšgaitas regulēšanas skrūvi, noregulējiet tukšgaitas apgriezīgu skaitu. Informāciju par to, kur atrodas konkrētā izstrādājuma tukšgaitas regulēšanas skrūve, sk. *Izstrādājuma pārskats lpp. 223.*

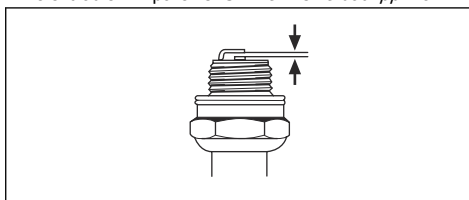
Aizdedzes sveces pārbaude



IEVĒROJIET: Izmantojiet ieteikto aizdedzes sveces tipu. Sk. *Aizdedzes sveces pārbaude lpp. 230.* Nepareiza aizdedzes svece var radīt izstrādājuma bojājumus.

1. Izslēdziet dzinēju un ļaujiet izstrādājumam atdzist.
2. Ja aizdedzes svece ir neīra, notīriet to.

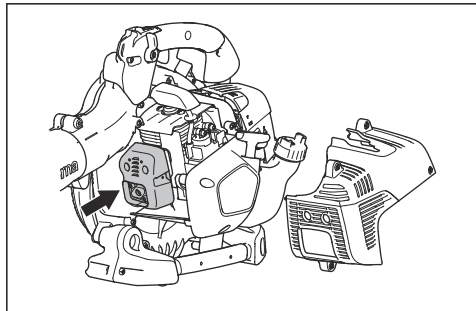
3. Pārbaudiet, vai attālums starp aizdedzes sveces elektrodiem ir pareizs. Sk. *Tehniskie dati lpp. 234.*



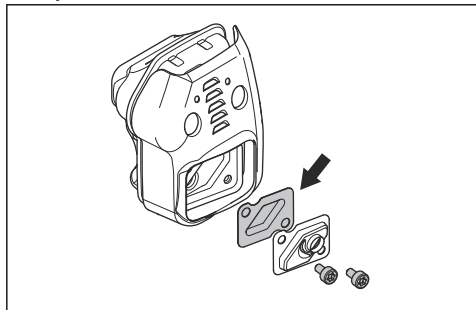
4. Nomainiet aizdedzes sveci reizi mēnesī vai biežāk, ja nepieciešams.

Slāpētāja apkope

1. Apturiet dzinēja darbību un ļaujiet slāpētājam atdzist. Lietojiet aizsargcimdus.



2. Noņemiet slāpētāja pārsegu.
3. Veiciet vizuālo pārbaudi. Ja dzirksteļu uztvērējs ir bojāts, nomainiet to.



Dzesēšanas sistēmas pārbaude un tīrīšana

Dzesēšana sistēmu veido cilindra dzesēšanas ribas un gaisa iepļūdes sietfiltrs.

1. Apturiet dzinēju.
2. Pārlicinieties, vai dzesēšanas sistēma nav nefīra vai aizsērējusi. Ja nepieciešams, iztīriet gaisa iepļūdes sietfiltru un dzesēšanas ribas.



IEVĒROJIET: Nefīra vai aizsērējusi dzesēšanas sistēma var paaugstināt

dzinēja temperatūru un radīt izstrādājuma bojājumus. Aizsērējis gaisa iepļūdes sietfiltrs samazina plūsmas jaudu.

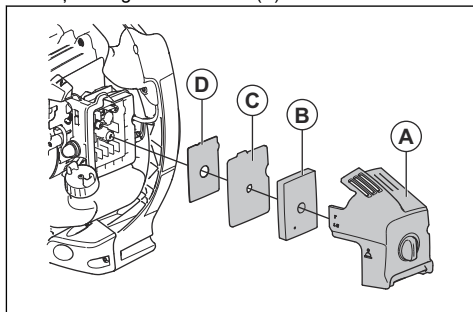
3. Pārbaudiet, vai dzesēšanas sistēma nav bojāta. Pārlicinieties, vai daļas ir pareizi pievienotas izstrādājumam.

Gaisa filtra tīrīšana



IEVĒROJIET: Neizmantojiet izstrādājumu bez gaisa filtra vai ar bojātu gaisa filtru. Putekļains gaiss var izraisīt dzinēja bojājumus.

1. Pavirziet gaisa vārsta vadības ierīci līdz gaisa vārsta slēgtai pozīcijai.
2. Noņemiet gaisa filtra vāku (A).



3. Izņemiet gaisa filtru (B) no filtra ietvara.
4. Iztīriet gaisa filtru (B) ar siltu ūdeni un ziepēm.

Piezīme: Gaisa filtru, kas ir izmantots ilgu laiku, nevar pilnībā iztīrīt. Mainiet gaisa filtru regulāri un vienmēr nomainiet bojātu gaisa filtru.

5. Ar suku notīriet gaisa filtra vāku (A) iekšējo virsmu.
6. Ja filca filtrs (C) ir nefīrs, noņemiet to un uzlieciet atpakaļ.
7. Uzstādiet sietu (D), filca filtru (C) un gaisa filtru (B).
8. Uzstādiet uz izstrādājuma gaisa filtra vāku (A).

Problēmu novēršana

Nevar iedarbināt dzinēju		
Kas jāpārbauda	Iespējamais iemesls	Risinājums
Stop (izslēgšanas) slēdzis	Izslēgta pozīcija	Pārlēdziet apturēšanas slēdzi iedarbināšanas stāvoklī
Startera aizturis(i)	Nosprostots(i) vai nolietots(i) startera aizturis(i).	Noregulējiet vai nomainiet startera aizturi(us).
		Nofīriet vietu ap aizturi(iem).
		Sazinieties ar apstiprinātu izplatītāju, kas nodrošina apkopi.
Degvielas tvertne.	Nepiemērota degviela.	Iztukšojiet degvielas tvertni un lietojiet piemērotu degvielu.
Karburators.	Tukšgaitas apgriezīgu skaitu regulēšana.	Regulējiet tukšgaitas apgriezīgu skaitu ar tukšgaitas regulēšanas skrūvi.
Aizdedze (nav dzirksteles).	Aizdedzes svece ir netīra vai mitra.	Pārbaudiet, vai aizdedzes svece ir sausa un tīra.
	Attālums starp aizdedzes sveces elektrodiem nav pareizs.	Nofīriet aizdedzes sveci. Pārbaudiet, vai attālums starp aizdedzes sveces elektrodiem ir pareizs. Pārbaudiet, vai aizdedzes svece ir uzstādīta ar slāpētāju.
		Informāciju par pareizu attālumu starp elektrodiem skatiet tehnisko datu sadaļā.
Aizdedzes svece.	Aizdedzes svece ir vaļīga.	Pievelciet aizdedzes sveci.
	Uz aizdedzes sveces elektrodiem ir netīrumi.	Pārliecinieties, vai degvielas maisījums ir atbilstošs.
		Pārliecinieties, vai gaisa filtrs ir tīrs.

Dzinējs sāk darboties, taču tad apstājas		
Kas jāpārbauda	Iespējamais iemesls	Risinājums
Degvielas tvertne.	Nepiemērota degviela.	Iztukšojiet un iepildiet piemērotu degvielu.
Karburators.	Tukšgaitā dzinējs nedarbojas pareizi.	Sazinieties ar vietējo apkopes sniedzēju.
Gaisa filtrs.	Aizsērējis gaisa filtrs.	Iztīriet gaisa filtru.

Pārvadāšana un uzglabāšana



BRĪDINĀJUMS: Lai novērstu aizdegšanās risku, pārbaudiet, vai transportēšanas un glabāšanas laikā nav noplūžu vai tvaiku. Gādājiet, lai nerastos dzirksteļošanas vai aizdegšanās risks.

- Pirms transportēšanas vai ilgstošas uzglabāšanas iztukšojiet degvielas tvertni. Saspiediet atgaisošanas sūkņa balonu, lai pārļiecinātos, vai ir iztukšota visa degviela. Utilizējiet degvielu atbilstošā utilizēšanas vietā.
- Pirms novietojat izstrādājumu ilgstošai glabāšanai, pārļiecinieties, vai izstrādājums ir tīrs un tam ir veikta pilna apkope.
- Izņemiet aizdedzes sveci un ielejiet cilindrā aptuveni 15 ml divtaktu dzinēja eļļas. Apgrieziet izstrādājumu otrādi 3 reizes un atkal ielieciet aizdedzes sveci.
- Transportēšanas laikā droši nostipriniet izstrādājumu transportlīdzeklī.
- Glabājiet izstrādājumu sausā, vēsā, tīrā vietā un labi ventilētā vietā. Nodrošiniet, lai bērni nevarētu piekļūt izstrādājumam.

Tehniskie dati

Tehniskie dati

Husqvarna 525BX	
Dzinējs	
Cilindra darba tilpums, cm ³	25,4
Brīvgaitas apgriezību skaits, apgr./min.	3000
Katalizators	Jā
Aizdedzes sistēma	
Aizdedzes svece	NGK BPMR8Y
Attālums starp elektrodiem, mm	0,6–0,7
Degvielas un elļošanas sistēma	
Degvielas tvertnes tilpums, l / cm ³	0,45 / 450
Svars	
Svars, bez degvielas, kg	4,4
Trokšņa emisija⁴⁹	
Skaņas jaudas līmenis, izmērītais dB (A)	104
Skaņas jaudas līmenis, garantētais L _{WA} dB (A)	106
Skaņas līmeņi⁵⁰	
Ekvivalents skaņas spiediena līmenis pie lietotāja auss mērīts saskaņā ar standartu EN15503 dB(A).	
Aprīkots ar apaļu uzgali	91
Aprīkots ar plakānu uzgali	92
Vibrācijas līmeņi⁵¹	
Ekvivalenti vibrācijas līmeņi (a _{hv, eq}) pie rokturiem mērīti atbilstoši standartam EN 15503, m/s ²	
Aprīkots ar apaļu uzgali	1,2
Aprīkots ar plakānu uzgali	2,0
Ventilatora darbība	
Maksimālais gaisa ātrums ar apaļu uzgali, m/s	70
Maksimālais gaisa ātrums ar plakānu uzgali, m/s	86
Gaisa plūsma ar apļveida sprauslu, m ³ /min	13

⁴⁹ Atbilstoši EK direktīvai 2000/14/EK trokšņa emisija apkārtņē ir mērīta kā trokšņa jauda (L_{WA}). Novērotais ierīces skaņas jaudas līmenis ir izmērīts ar pievienotu oriģinālo pūtēja uzgali, kas rada augstāko līmeni. Atšķirība starp garantēto un izmērīto skaņas jaudas līmeni ir tāda, ka garantētā skaņas intensitātes līmeņa mērījumu rezultāts ietver arī izkliedi mērījuma rezultātā un atšķirības dažādām tā paša modeļa ierīcēm atbilstoši direktīvai 2000/14/EK.

⁵⁰ Sniegtajos datos par skaņas spiediena līmeni tipiskā statistiskā izklide ir 1,0 dB(A) (standartnovirze).

⁵¹ Sniegtajos datos par vibrācijas līmeni tipiskā statistiskā izklide ir 1,0 m/s² (standarta novirze).

	Husqvarna 525BX
Gaisa plūsma ar plakanu sprauslu, m ³ /min	10

EK atbilstības deklarācija

EK atbilstības deklarācija

Husqvarna ABSE-561 82 Huskvarna, Zviedrija, tālr. +46-36-146500 apliecina, ka pūtējs **Husqvarna 525BX** ar sērijas numuriem, sākot no 2016 (gada skaitlis, kam seko sērijas numurs, ir skaidri norādīts uz datu plāksnītes), atbilst prasībām, kas noteiktas PADOMES DIREKTĪVĀS:

- 2006. gada 17. maijs, direktīva **2006/42/EK**, "par mašīnu tehniku".
- 2014. gada 26. februāra direktīva **2014/30/ES** "par elektromagnētisko saderību".
- 2000. gada 8. maija direktīva **2000/14/EK** "par trokšņa emisiju vidē". Atbilstības novērtējums saskaņā ar V pielikumu. Informāciju par trokšņa emisiju skatiet sadaļā *Tehniskie dati lpp. 234*.
- 2011. gada 8. jūnija Direktīva **2011/65/ES** par dažu bīstamu vielu izmantošanas ierobežošanu elektriskās un elektroniskās iekārtās.

Ir piemēroti šādi standarti:

EN ISO 12100-2/A1:2009, CISPR 12:2009, EN 15503:2009/A2:2015, EN 50581:2012

RISE SMP Svensk Maskinprovning AB, ir veicis brīvprātīgu tipa pārbaudi Husqvarna AB vārdā. Sertifikāta numurs: **SEC/14/2423** - 525BX;

Huskvarna, 2020-01-01



Pērs Gustavsons (Per Gustafsson), izstrādes nodaļas vadītājs (pilnvarotais Husqvarna AB pārstāvis, kas atbild par tehnisko dokumentāciju)

Inhoud

Inleiding.....	237	Probleemoplossing.....	246
Veiligheid.....	238	Transport en opslag.....	247
Montage.....	241	Technische gegevens.....	248
Werking.....	241	EG verklaring van overeenstemming.....	250
Onderhoud.....	243		

Inleiding

Productbeschrijving

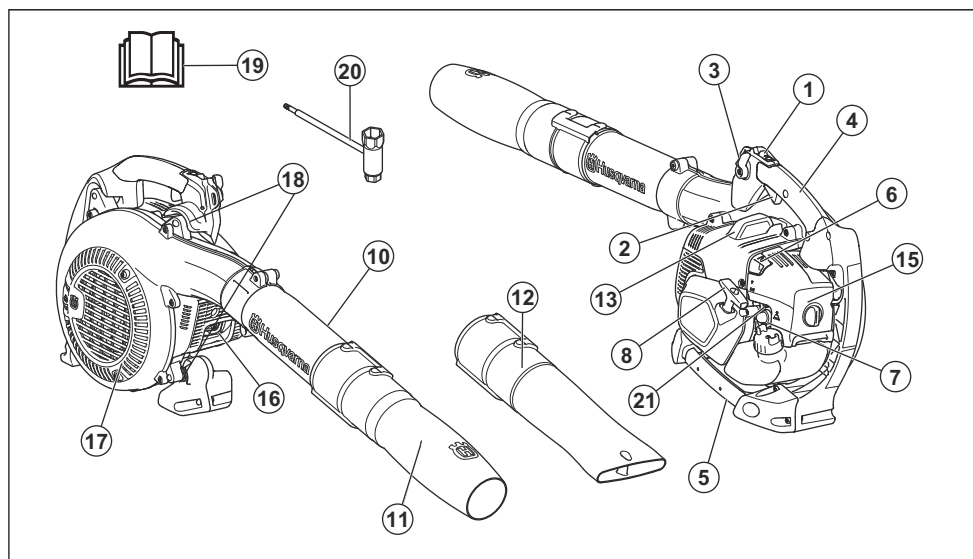
Dit product is een bladblazer met een brandstofmotor.

Husqvarna AB werkt voortdurend aan het verder ontwikkelen van haar producten en behoudt zich dan ook het recht voor om zonder aankondiging vooraf wijzigingen in o.a. vorm en uiterlijk door te voeren.

Gebruik

Gebruik het product voor het wegblazen van bladeren en ander ongewenst materiaal van bijvoorbeeld gazons, voetpaden en asfaltwegen.

Productoverzicht



1. Start/stop-schakelaar
2. Gashendel
3. Gashendel
4. Bedieningshendel
5. Hendel
6. Chokehendel
7. Balgje voor extra brandstofvoer
8. Startkoordgreep
9. Klemschroef
10. Tussenpijp
11. Rond mondstuk
12. Plat mondstuk
13. Bougie
14. Brandstoftankdop
15. Luchtfilter
16. Geluiddemper
17. Luchtinlaatrooster
18. Trillingdempingssysteem
19. Bedieningshandleiding
20. Ring-steeksleutel

Symbolen op het product



WAARSCHUWING! Dit product kan gevaarlijk zijn en ernstig of fataal letsel toebrengen aan de gebruiker of anderen. Wees voorzichtig en gebruik het product op de juiste manier.



Lees de bedieningshandleiding zorgvuldig door en zorg dat u de instructies hebt begrepen voordat u het product gebruikt.



Gebruik goedgekeurde gehoorbescherming en oogbescherming. Als de omgeving stof bevat, gebruik dan een stofmasker.



Draag goedgekeurde veiligheidshandschoenen.



Dit product voldoet aan de geldende EU-richtlijnen.



Mengsel van benzine en tweetaktolie.



Primerbalg van brandstofpomp.



Choke, geopende stand.



Choke, gesloten stand.



Geluidsemissies naar de omgeving volgens de Europese richtlijn 2000/14/EG en de wetgeving van Nieuw-Zuid-Wales "Protection of the Environment Operations (Noise Control) Regulation 2017". De geluidsemissiegegevens vindt u op het

machinelabel en in het hoofdstuk Technische gegevens.



Kijk uit voor wegslingerende objecten. Wegslingerende objecten kunnen ernstig letsel veroorzaken. Maak altijd gebruik van persoonlijke beschermingsmiddelen.



Houd een veiligheidsafstand aan van minimaal 15 m tot andere personen of dieren.

yyyywwxxxx

Het productplaatje toont het serienummer. **jjj** is het productiejaar en **ww** is de productie-week.

Let op: Andere symbolen/stickers op het product hebben betrekking op certificeringseisen voor overige commerciële markten.

Euro V-emissies



WAARSCHUWING: De EU-typegoedkeuring van dit product vervalt als ongeoorloofde wijzigingen aan de motor aangebracht worden.

Productaansprakelijkheid

Zoals uiteengezet in de wet voor productaansprakelijkheid zijn wij niet aansprakelijk voor schade die door ons product wordt veroorzaakt, indien:

- het product niet goed is gerepareerd.
- het product is gerepareerd met onderdelen die niet van de fabrikant afkomstig zijn, of onderdelen die niet zijn goedgekeurd door de fabrikant.
- het product een accessoire bevat dat niet afkomstig is van de fabrikant of niet is goedgekeurd door de fabrikant.
- het product niet is gerepareerd door een erkend servicepunt of door een erkende autoriteit.

Veiligheid

Veiligheidsdefinities

De onderstaande definities geven de mate van ernst weer voor elk trefwoord.



WAARSCHUWING: Letsel aan personen.



OPGELET: Schade aan het product.

Let op: Deze informatie maakt het product eenvoudiger in gebruik.

Algemene veiligheidsinstructies



WAARSCHUWING: Lees de volgende waarschuwingen voordat u het product gaat gebruiken.

- Breng geen wijzigingen aan in het product zonder toestemming van de fabrikant en gebruik altijd originele accessoires. Niet goedgekeurde wijzigingen en/of niet-originele onderdelen kunnen tot ernstig letsel of de dood van zowel gebruiker als omstanders leiden.
- Gebruik nooit een beschadigd product. Voer de in deze bedieningshandleiding beschreven veiligheidscontroles en onderhoudstaken uit. Alle overige onderhoudswerkzaamheden moeten worden uitgevoerd door erkend onderhoudspersoneel.
- Alle onderhoudswerkzaamheden en reparaties moeten worden uitgevoerd door erkend onderhoudspersoneel. Als een onderdeel van het product defect is, neem dan contact op met uw servicedealer.

Veiligheidsinstructies voor bediening



WAARSCHUWING: Lees de volgende waarschuwingen voordat u het product gaat gebruiken.

- Dit product kan gevaarlijk zijn en ernstig of fataal letsel toebrengen aan de gebruiker of anderen. Wees voorzichtig en gebruik het product op de juiste manier.
 - Controleer het product vóór gebruik. Zie *Onderhoud op pagina 243*.
 - Gebruik het product niet wanneer u vermoeid of ziek bent, of alcohol of drugs hebt gebruikt waardoor uw gezichts-, beoordelings- of coördinatievermogen wordt aangetast.
 - Breng vóór gebruik alle afdekkingen en afschermingen aan. Verzeker u ervan dat de bougiekop en ontstekingskabel onbeschadigd zijn om het risico van een elektrische schok te voorkomen.
 - Raak de bougie of de ontstekingskabel niet aan terwijl de motor loopt.
 - Houd een veiligheidsafstand aan van minimaal 15 m tot andere personen of dieren. Stop het product als personen, kinderen of dieren dichterbij komen dan 15 meter. Richt het product niet op personen, dieren, open ramen of andere voorwerpen.
- Laat het product niet door kinderen bedienen. Zorg ervoor dat alle gebruikers deze bedieningshandleiding lezen en begrijpen.
 - Houd tijdens het werk handen en andere voorwerpen uit de buurt van de behuizing van de bladblazer. Roterende onderdelen kunnen ernstig letsel veroorzaken.
 - Gebruik het product niet als het luchtinlaatrooster niet is gemonteerd. Zorg er vóór gebruik altijd voor dat het luchtinlaatrooster is gemonteerd en niet is beschadigd.
 - Als zich een noodsituatie voordoet, maakt u de heupgordel en de borstgordel van het harnas los en laat u het product vallen.
 - Houd u aan de nationale voorschriften en richtlijnen.
 - Houd alle lichaamsdelen uit de buurt van hete oppervlakken.
 - Door te veel trillingen kan de circulatie of het zenuwstelsel beschadigd raken. Neem contact op met uw arts als u symptomen hebt, zoals gevoelloosheid, verlies van gevoel, tintelingen, een prikkelend gevoel, pijn, krachtverlies of veranderingen in de huidskleur in uw vingers, handen of polsen.
 - Kijk uit voor wegslingerende objecten. Wegslingerende objecten kunnen ernstig letsel veroorzaken.
 - Gebruik het product niet bij slecht weer, zoals mist, regen, harde wind en hevige kou. Werken bij slecht weer kan leiden tot vermoeidheid en gevaarlijke omstandigheden.
 - Zorg dat u vrij kunt bewegen en in een stabiele houding kunt werken. Controleer het werkgebied op mogelijke obstakels, zoals stenen. Wees voorzichtig wanneer u het product op een helling bedient.
 - Plaats het product niet met een draaiende motor op de grond.
 - Gebruik dit product niet op hoogte, zoals op een ladder.
 - Zorg ervoor dat u altijd kunt worden gehoord als er een ongeval plaatsvindt.
 - Controleer of de uitlaat voor uitlaatgassen niet is geblokkeerd. Om schade aan het product te voorkomen, moet u obstakels op een afstand van ten minste 50 cm vanaf de uitlaat voor uitlaatgassen houden.
 - Start het product niet binnenshuis, bij een slechte luchtstroom of in de buurt van licht ontvlambaar materiaal. De uitlaatgassen van de motor bevatten koolmonoxide, dat koolmonoxidevergiftiging kan veroorzaken. De uitlaatgassen van de motor zijn heet en kunnen vonken veroorzaken die tot brand kunnen leiden.

Persoonlijke beschermingsuitrusting



WAARSCHUWING: Lees de volgende waarschuwingen voordat u het product gaat gebruiken.

- Draag tijdens het gebruik van het product altijd goedgekeurde persoonlijke beschermingsmiddelen. Persoonlijke beschermingsuitrusting kunnen niet alle risico's uitsluiten maar kunnen de ernst van eventueel letsel helpen beperken. Neem voor meer informatie contact op met uw dealer.
- Gebruik goedgekeurde gehoorbescherming. Langdurige blootstelling aan lawaai kan leiden tot permanente gehoorbeschadiging.
- Gebruik goedgekeurde oogbescherming. Als u een vizier gebruikt, moet u ook een goedgekeurde veiligheidsbril gebruiken. Een goedgekeurde veiligheidsbril moet voldoen aan de norm ANSI Z87.1 voor de VS of EN 166 voor de EU-landen.
- Draag veiligheidshandschoenen tijdens gebruik en onderhoud.
- Gebruik beschermende laarzen of schoenen met antislipzolen.
- Gebruik kleding van sterke stof en van volledige lengte. Gebruik geen sieraden of open schoenen. Om het risico op letsel te verminderen, moet uw nauwsluitende kleding dragen, maar mag deze uw bewegingen niet beperken. Bind uw haar samen tot boven schouderlengte om te voorkomen dat uw haar in draaiende onderdelen terechtkomt of op takken vast komt te zitten.
- Gebruik ademhalingsbescherming wanneer het risico van het vrijkomen van stof bestaat.
- Houd de EHBO-does in de buurt.

geluiddemper niet aan indien deze is beschadigd.

- Controleer de demper regelmatig visueel. De geluiddemper is bedoeld om geluidsniveaus zo laag mogelijk te houden en om de uitlaatgassen weg te voeren van de gebruiker. Zie *Onderhoud uitvoeren aan de geluiddemper op pagina 245*.

Trillingsdempingssysteem controleren

1. Controleer de trillingdempers op scheuren of vervorming.
2. Controleer of de trillingdempers op de juiste wijze zijn bevestigd op de motor en de handgreep.

Raadpleeg *Productoverzicht op pagina 237* voor informatie over de locatie van het trillingdempingssysteem op uw product.

De start/stop-schakelaar controleren

1. Schakel de motor uit met de start/stop-schakelaar.
2. Zorg ervoor dat de motor volledig wordt stopgezet.

Raadpleeg *Productoverzicht op pagina 237* om te zien waar zich op uw product de start/stop-schakelaar bevindt.

Brandstofveiligheid



WAARSCHUWING: Lees de volgende waarschuwingen voordat u het product gaat gebruiken.

- Meng en vul brandstof niet binnenshuis bij of in de buurt van een warmtebron.
- Start het product niet als er brandstof of olie op het product of uw lichaam is gemorst.
- Start het product niet als er sprake is van brandstoflekkage. Controleer de motor regelmatig op brandstoflekkage.
- Wees altijd voorzichtig met brandstof. Brandstof is licht ontvlambaar en de brandstofgassen zijn explosief. Deze kunnen ernstig letsel veroorzaken of leiden tot de dood.
- Adem geen brandstofdampen in, dit kan letsel veroorzaken. Zorg voor voldoende ventilatie.
- Rook niet in de buurt van de brandstof of de motor.
- Plaats het product of een jerrycan met brandstof niet in de buurt van warme voorwerpen, open vuur, vonken of waakvlammen.
- Gebruik altijd goedgekeurde containers voor opslag en transport van brandstof.

Veiligheidsinstructies voor onderhoud



WAARSCHUWING: Lees de volgende waarschuwingen voordat u het product gaat gebruiken.

Veiligheidsvoorzieningen op het product



WAARSCHUWING: Lees de volgende waarschuwingen voordat u het product gaat gebruiken.

- Gebruik het product nooit wanneer de veiligheidsvoorzieningen defect zijn.
- Controleer de veiligheidsvoorzieningen regelmatig op een juiste werking. Zie *Onderhoud op pagina 243*.
- Als de veiligheidsvoorzieningen defect zijn, neem dan contact op met uw Husqvarna servicedealer.

Geluiddemper controleren



WAARSCHUWING: Gebruik geen product met een defecte geluiddemper.



WAARSCHUWING: De demper wordt zeer heet tijdens en na gebruik, ook bij stationair toerental. Gebruik beschermende handschoenen om brandwonden te voorkomen.



WAARSCHUWING: De binnenkant van de geluiddemper bevat chemicaliën die kankerverwekkend kunnen zijn. Raak de

- Zet de motor af, verwijder de bougie en laat de motor afkoelen voordat u onderhouds- en montagewerkzaamheden uitvoert.
- Een verstopt vonkenscherm leidt ertoe dat de motor te heet wordt, waardoor schade aan de motor ontstaat.
- Indien het vonkenscherm vaak verstopt is, kan dit erop duiden dat de werking van de katalysator is afgenomen. Neem contact op met uw servicedealer voor controle van de geluiddemper.

Montage

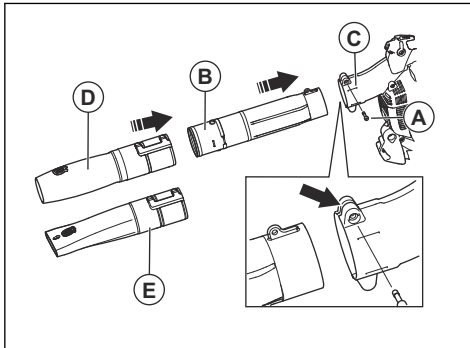
Inleiding



WAARSCHUWING: Zorg dat u het hoofdstuk over veiligheid hebt gelezen en begrepen voordat u het apparaat monteert.

Blaaspijp monteren

1. Draai de klemschroef (A) los.



2. Monteer de tussenpijp (B) op de blaaspijp (C).
3. Monteer de klemschroef (A) en draai deze vast.
4. Breng het ronde mondstuk (D) of het platte mondstuk (E) aan op de tussenpijp.

Werking

Inleiding



WAARSCHUWING: Zorg dat u het hoofdstuk over veiligheid hebt gelezen en begrepen voordat u het product gebruikt.

Brandstof

Dit product is uitgerust met een tweetaktmotor.



OPGELET: Een verkeerde soort brandstof kan leiden tot motorschade. Gebruik een mengsel van benzine en tweetaktolie.

Voorgemengde brandstof

- Gebruik voorgemengde Husqvarna-alkylaatbrandstof voor optimale prestaties en een lange levensduur van de motor. Deze brandstof bevat minder schadelijke stoffen dan reguliere brandstof waardoor de uitstoot van schadelijke uitlaatgassen wordt beperkt. Bij gebruik van deze brandstof blijven er minder verbrandingsresten in de motor achter

waardoor de onderdelen van de motor schoner blijven.

Brandstof mengen

Benzine

- Gebruik hoogwaardige loodvrije benzine met maximaal 10% ethanol (E10).



OPGELET: Gebruik geen benzine met een octaangetal lager dan 90 RON/87 AKI. Een lager octaangetal kan leiden tot pingelen van de motor wat tot motorschade kan leiden.

Tweetaktolie

- Gebruik voor de beste resultaten en optimale prestaties Husqvarna tweetaktolie.
- Als geen Husqvarna tweetaktolie beschikbaar is, gebruik dan een andere hoogwaardige tweetaktolie voor luchtgekoelde motoren. Bespreek de keuze van de tweetaktolie met uw servicedealer.



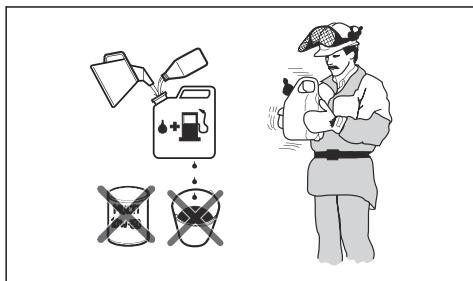
OPGELET: Gebruik geen tweetaktolie die bedoeld is voor watergekoelde buitenboordmotoren, zogenaamde outboardoil. Gebruik geen olie die is bedoeld voor viertaktmotoren.

Benzine en tweetaktolie mengen

Benzine, liter	Tweetaktolie, liter
	2% (50:1)
5	0,10
10	0,20
15	0,30
20	0,40



OPGELET: Wanneer u kleine hoeveelheden brandstof mengt, kunnen kleine fouten grote gevolgen hebben voor de mengverhouding. Meet de hoeveelheid olie nauwkeurig af om het juiste mengsel te verkrijgen.



1. Giet de helft van de benzine in een schone brandstofbestendige houder.
2. Voeg de volledige hoeveelheid olie toe.
3. Schud het brandstofmengsel.
4. Giet de resterende hoeveelheid benzine in de houder.
5. Schud het brandstofmengsel grondig.



OPGELET: Meng maximaal de hoeveelheid brandstof die u nodig hebt voor 1 maand.

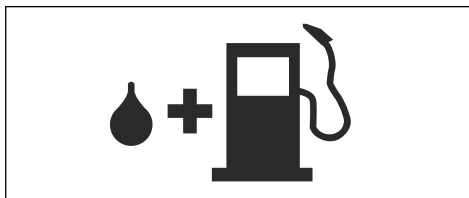
Brandstoftank vullen



WAARSCHUWING: Houd u voor uw eigen veiligheid aan de volgende procedure.

1. Stop de motor en laat de motor afkoelen.

2. Maak het gebied rondom de brandstoftankdop goed schoon.



3. Schud de container en zorg ervoor dat de brandstof volledig is gemengd.
4. Draai de brandstoftankdop langzaam los om de druk te laten ontsnappen.
5. Vul de brandstoftank.



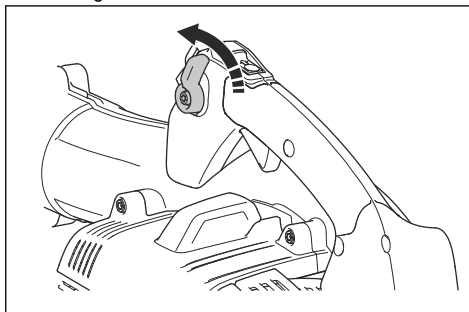
OPGELET: Zorg dat er niet te veel brandstof in de brandstoftank zit. De brandstof zet uit wanneer deze heet wordt.

6. Draai de tankdop volledig vast.
7. Verwijder gemorste brandstof op en rond het product.
8. Verwijder het product altijd ten minste 3 m uit de buurt van de tankplaats en brandstofbron voordat u het product gaat starten.

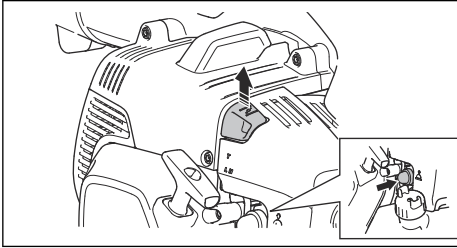
Let op: Zie *Inleiding op pagina 237* om te zien waar de brandstoftank op uw product is.

Product starten

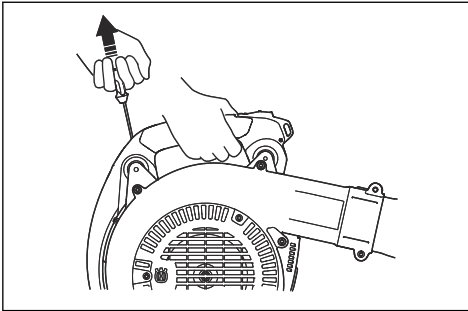
1. Zet de gashendel in de stationaire stand.



2. Als de motor koud is, zet u de chokehendel in de gesloten chokestand.



3. Druk de primerbalg van de brandstofpomp steeds opnieuw in, totdat de primerbalg wordt gevuld met brandstof. Het is niet nodig het balgie volledig te vullen.
4. Plaats het product op een vlakke ondergrond.
5. Houd het product vast met uw rechterhand.



OPGELET: Gebruik niet uw voeten om het product vast te houden.

6. Trek langzaam aan de startkoordhendel totdat u weerstand voelt.
7. Trek snel aan de startkoordhendel met uw linkerhand. Trek steeds opnieuw aan de startkoordhendel tot de motor start.

Let op: Trek de startkoordhendel niet helemaal uit tot de maximale positie en laat de startkoordhendel niet los.

8. Als de motor koud is, zet u de chokehendel in de geopende stand.
9. Als de motor koud is, laat de motor dan 2 tot 3 minuten warmdraaien voordat u de motor gebruikt.



WAARSCHUWING: Er komt lucht vrij wanneer de motor wordt gestart en het product op stationair toerental wordt ingesteld. Laat geen personen in de buurt van het product of de blaaspijp komen.

Het product gebruiken

- Gebruik het product uitsluitend op gebruikelijke werktijden. Volg de plaatselijke regelgeving.
- Verminder het aantal apparaten en selecteer het juiste toerental voor uw taak. Gebruik de gasregeling in de laagst mogelijke stand om meer geluid en stof dan nodig is te voorkomen.
- Houd de blaasmond dicht bij de grond.

Let op: Husqvarna raadt u aan het volledige verlengstuk van de blaasmond te gebruiken.

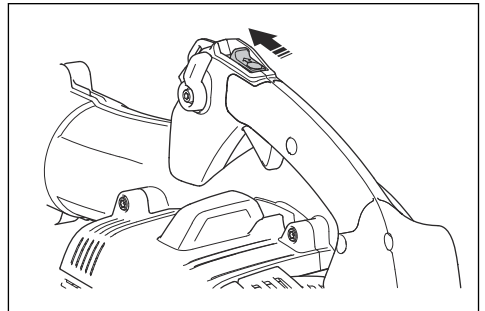
- Noteer de windrichting en bedien het product in de windrichting.
- Gebruik geschikt tuingereedschap om materiaal van de grond los te maken.
- Maak in gebieden met stof gebruik van spuitapparatuur om het gebied te nat te maken. Dit verkort de bedrijfstijd.
- Bewaar het product na gebruik verticaal.

Motor uitschakelen



OPGELET: Stop het product niet op volle snelheid.

- Zet de start/stop-schakelaar in de stopstand.



Onderhoud

Inleiding



WAARSCHUWING: Zorg dat u het hoofdstuk over veiligheid hebt gelezen en

begrepen voordat u onderhoud aan het product gaat uitvoeren.

Onderhoudsschema

Onderhoud	Elke dag	Wekelijks	Maandelijks
Reinig de externe oppervlakken.	X		
Controleer of de gashendel goed werkt.	X		
Controleer of de start/stopschakelaar correct werkt. Zie <i>De start/stop-schakelaar controleren op pagina 240.</i>	X		
Controleer de motor, de brandstoftank en de brandstofleidingen op lekkages. Controleer het brandstoffilter op verontreiniging. Vervang het brandstoffilter indien nodig.	X		
Maak het luchtfilter schoon. Vervang het luchtfilter indien nodig.	X		
Draai moeren en bouten aan.	X		
Inspecteer de luchtinlaat en controleer of deze niet is geblokkeerd.	X		
Controleer de starter en het startkoord op beschadigingen.		X	
Controleer de trillingsdempers op beschadigingen, scheuren en vervorming. Controleer of de trillingsdempers correct zijn bevestigd.		X	
Controleer de bougie. Zie <i>De bougie controleren op pagina 244.</i>		X	
Reinig het koelsysteem.		X	
Reinig het externe oppervlak van de carburateur en het gebied er omheen.		X	
Reinig de brandstoftank.			X
Controleer alle kabels en aansluitingen.			X
Controleer het vonkenscherm van de geluiddemper en reinig deze (voor producten zonder katalysator).		X	
Controleer en reinig het vonkenscherm op de geluiddemper (voor machines met katalysator).			X
Vervang de bougie. Zorg ervoor dat deze is bevestigd met een onderdrukker.			X

Stationair toerental afstellen

1. Zorg dat het luchtfilter schoon is en het luchtfilterdeksel gemonteerd is.
2. Stel het stationair toerental af met de schroef voor stationair draaien. Zie *Productoverzicht op pagina 237* om te zien waar zich op de machine de schroef voor stationair draaien bevindt.

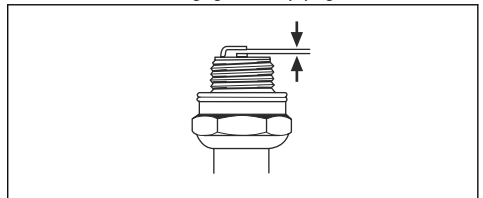
De bougie controleren



OPGELET: Gebruik de aanbevolen bougie. Zie *De bougie controleren op pagina 244.* Een onjuiste bougie kan leiden tot schade aan het product.

1. Stop de motor en laat het product afkoelen.
2. Reinig de bougie als deze vuil is.

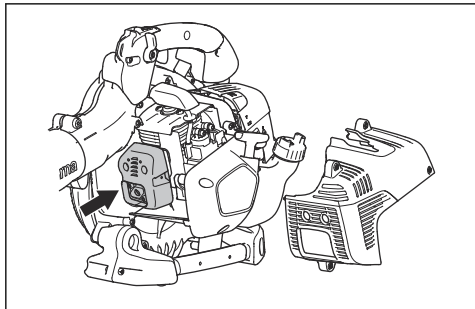
3. Controleer of de afstand tussen de elektroden juist is. Zie *Technische gegevens op pagina 248.*



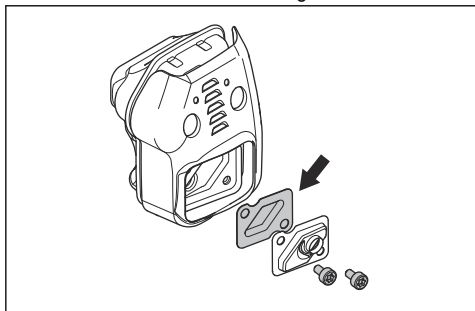
4. Vervang de bougie maandelijks of vaker indien nodig.

Onderhoud uitvoeren aan de geluiddemper

1. Stop de motor en laat de geluiddemper afkoelen. Draag veiligheidshandschoenen.



2. Verwijder de afdekkap van de geluiddemper.
3. Voer een visuele controle uit. Vervang het vonkenscherm als het beschadigd is.



Het koelsysteem inspecteren en reinigen

Het koelsysteem omvat de koelvinnen op de cilinder en het luchtinlaatrooster.

1. Stop de motor.
2. Zorg ervoor dat het koelsysteem niet vuil of verstopt is. Reinig indien nodig het luchtinlaatrooster en de koelvinnen.



OPGELET: Een vuil of verstopt koelsysteem kan tot gevolg hebben dat

de temperatuur van de motor stijgt en het product beschadigd raakt. Een verstopt luchtinlaatrooster vermindert de blaaskracht.

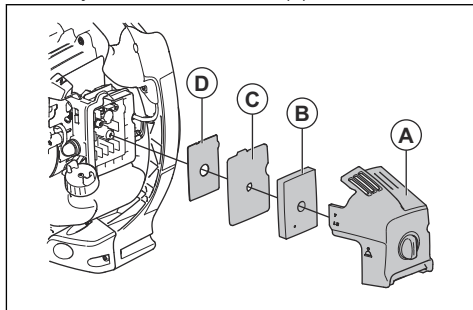
3. Inspecteer het koelsysteem op schade. Zorg ervoor dat de onderdelen correct op het product zijn bevestigd.

Het luchtfilter reinigen



OPGELET: Gebruik het product niet zonder luchtfilter of met een beschadigd luchtfilter. Stof in de lucht kan schade aan de motor veroorzaken.

1. Duw de chokehendel naar de gesloten chokestand.
2. Verwijder het luchtfilterdeksel (A).



3. Verwijder het luchtfilter (B) uit het filterframe.
4. Reinig het luchtfilter (B) met warm water en zeep.

Let op: Een luchtfilter dat lange tijd is gebruikt, kan niet volledig worden gereinigd. Vervang het luchtfilter regelmatig en vervang een defect luchtfilter altijd.

5. Reinig het binnenoppervlak van het luchtfilterdeksel (A) met een borstel.
6. Verwijder en vervang het viltfilter (C) als het vuil is.
7. Monteer het scherm (D), het viltfilter (C) en het luchtfilter (B).
8. Bevestig het luchtfilterdeksel (A) op het product.

Probleemoplossing

De motor kan niet worden gestart		
Controle	Mogelijke oorzaak	Oplossing
Stopknop.	Stopstand	Zet de stopschakelaar in de startpositie.
Startpal(len).	Geblokkeerde of versleten startpal(len).	Verstel of vervang de startpal(len).
		Reinig het gebied rondom de startpal(len).
		Neem contact op met een erkende servicedealer.
Brandstoftank.	Verkeerd type brandstof.	Tap de brandstoftank af en vul deze met de juiste brandstof.
Carburateur.	Afstelling van het stationair toerental.	Stel het stationair toerental af met de stelschroef.
Ontsteking (geen vonk).	Bougie vies of nat.	Zorg ervoor dat de bougie droog en schoon is.
		De elektrodenafstand op de bougie is niet juist.
		Bougie reinigen. Controleer of de afstand tussen de elektroden juist is. Zorg ervoor dat de bougie is uitgerust met een onderdrukker. Zie de technische gegevens voor de correcte elektrodenafstand.
Bougie.	Bougie is los.	Draai de bougie vast.
	Er is ongewenst materiaal aanwezig op de elektroden van de bougie.	Zorg dat het brandstofmengsel correct is.
		Zorg dat het luchtfilter schoon is.

De motor start, maar stopt weer		
Controle	Mogelijke oorzaak	Oplossing
Brandstoftank.	Verkeerd type brandstof.	Tap de tank af en gebruik de juiste brandstof.
Carburateur.	De motor werkt niet naar behoren bij stationair toerental.	Neem contact op met uw servicedealer.
Luchtfilter.	Verstopt luchtfilter.	Maak het luchtfilter schoon.

Transport en opslag



WAARSCHUWING: Om brandgevaar te voorkomen, moet u ervoor zorgen dat er geen lekken of dampen zijn tijdens transport of opslag. Zorg ervoor dat er geen risico op vonken of brand bestaat.

- Leeg de brandstoftank voordat het product wordt vervoerd of gedurende lange tijd wordt opgeslagen. Druk op de primerbalg van de brandstofpomp om ervoor te zorgen dat alle brandstof wordt verwijderd. De brandstof via een geschikte verwijderingslocatie afvoeren.
- Zorg ervoor dat het product schoon is en dat er volledig onderhoud wordt uitgevoerd voordat het product lange tijd wordt opgeborgen.
- Verwijder de bougie en giet ongeveer 15 ml tweetaktolie in de cilinder. Draai het product 3 keer om en breng de bougie opnieuw aan.
- Bevestig het product stevig op het voertuig tijdens vervoer.
- Plaats het product in een droge, koele en schone ruimte met een goede luchtstroom. Houd de machine buiten het bereik van kinderen.

Technische gegevens

Technische gegevens

	Husqvarna 525BX
Motor	
Cilinderinhoud, cm ³	25,4
Stationair toerental, tpm	3000
Katalysator	Ja
Ontstekingsstelsel	
Bougie	NGK BPMR8Y
Elektrodenafstand, mm	0,6-0,7
Brandstof-/smeersysteem	
Inhoud brandstoftank, l / cm ³	0,45 / 450
Gewicht	
Gewicht zonder brandstof, in kg	4,4
Geluidsemissies⁵²	
Geluidsvermogensniveau, gemeten dB(A)	104
Geluidsvermogensniveau, gegarandeerd L _{WA} dB (A)	106
Geluidsniveau⁵³	
Equivalent geluidsdrukniveau bij het oor van de gebruiker, gemeten volgens EN 15503 dB(A):	
Voorzien van een rond mondstuk	91
Voorzien van een plat mondstuk	92
Trillingsniveau⁵⁴	
Equivalent trillingsniveaus (a _{hν,eq}) in de handgrepen, gemeten volgens EN 15503, m/s ²	
Voorzien van een rond mondstuk	1,2
Voorzien van een plat mondstuk	2,0
Ventilatorprestaties	
Max. luchtsnelheid met rond mondstuk, m/s	70

⁵² Geluidsemissie naar de omgeving gemeten als geluidsvermogen (L_{WA}) volgens EG-richtlijn 2000/14/EG. Het gerapporteerde geluidsvermogensniveau voor de machine is gemeten met de originele blaasmondstuk die het hoogste niveau geeft. Het verschil tussen gegarandeerd en gemeten geluidsvermogen is dat het gegarandeerde geluidsvermogen ook spreiding in het meetresultaat omvat en de verschillen tussen de verschillende machines van hetzelfde model conform Richtlijn 2000/14/EG.

⁵³ De gerapporteerde gegevens voor het geluidsdrukniveau vertonen een typische statistische spreiding (standaardafwijking) van 1,0 dB (A).

⁵⁴ De gerapporteerde gegevens voor een trillingsniveau vertonen een typische statistische spreiding (standaardafwijking) van 1,0 m/s².

	Husqvarna 525BX
Max. luchtsnelheid met plat mondstuk, m/s	86
Luchtstroom met rond mondstuk, m ³ /min	13
Luchtsnelheid bij plat mondstuk m ³ /min	10

EG verklaring van overeenstemming

EG-conformiteitsverklaring

Husqvarna AB, SE-561 82 Huskvarna, Zweden, tel: +46-36-146500, verklaart dat de bladblazer **Husqvarna 525BX** met serienummers van 2016 en later (het jaar staat duidelijk op het productplaatje vermeld, gevolgd door het serienummer) voldoet aan de eisen die zijn opgenomen in de RICHTLIJNEN VAN DE RAAD:

- van 17 mei 2006 "met betrekking tot machines" **2006/42/EG**.
- van 26 februari 2014 "betreffende elektromagnetische compatibiliteit" **2014/30/EU**.
- van 8 mei 2000 "met betrekking tot geluidsemissies in het milieu" **2000/14/EG**. Conformiteitsbeoordeling volgens bijlage V. Raadpleeg *Technische gegevens op pagina 248* voor informatie betreffende geluidsemissie.
- van 8 juni 2011 "inzake beperking van het gebruik van bepaalde gevaarlijke stoffen in elektrische en elektronische apparatuur" **2011/65/EU**.

De volgende normen zijn van toepassing:

EN ISO 12100-2/A1:2009, CISPR 12:2009, EN 15503:2009/A2:2015, EN 50581:2012

RISE SMP Svensk Maskinprovning AB, heeft namens Husqvarna AB een niet-verplicht typeonderzoek uitgevoerd. Het certificaat heeft nummer: **SEC/14/2423 - 525BX**

Huskvarna, 2020-01-01



Per Gustafsson, Hoofd Ontwikkeling (gemachtigde vertegenwoordiger voor Husqvarna AB en verantwoordelijk voor technische documentatie)

INNHold

Innledning.....	251	Feilsøking.....	259
Sikkerhet.....	252	Transport og oppbevaring.....	260
Montering.....	254	Tekniske data.....	261
Drift.....	255	EF-samsvarserklæring.....	263
Vedlikehold.....	257		

Innledning

Produktbeskrivelse

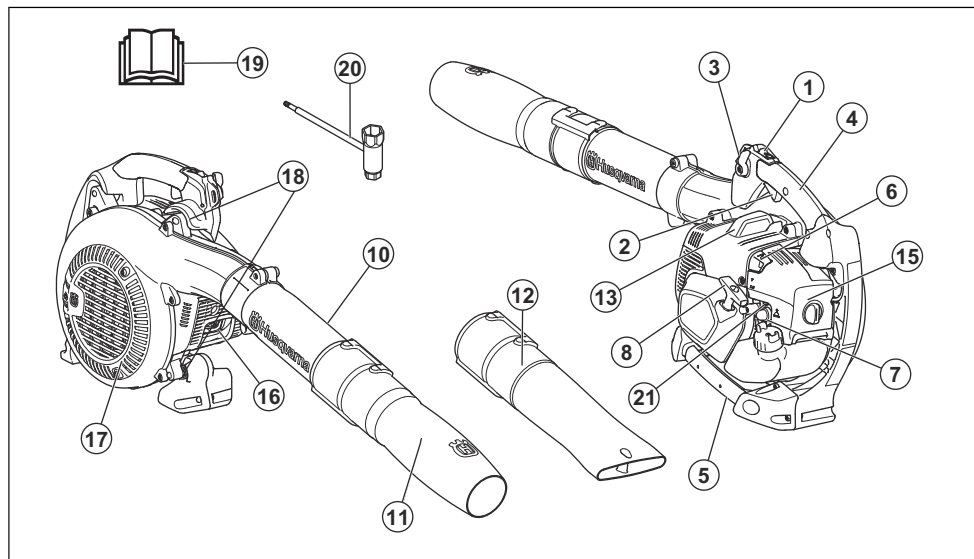
Produktet er en blåser med en drivstoffmotor.

Vi arbeider løpende med å videreutvikle produktene våre og forbeholder oss derfor retten til endringer vedrørende bl.a. form og utseende uten varsel.

Bruksområder

Bruk produktet til blåsing av løv og annet uønsket materiale på for eksempel plener, gangveier og asfaltveier.

Produktoversikt



1. Start/stopp-bryter
2. Gassregulator
3. Gassregulator
4. Regulatorhåndtak
5. Håndtak
6. Chokeregulator
7. Drivstoffpumpe
8. Startsnorhåndtak
9. Klemmeskrue
10. Mellomrør
11. Rundt munnstykke
12. flatt munnstykke
13. Tennplugg
14. Drivstofflokk
15. Luftfilter
16. Lyddemper
17. Luftinntaksskjerm
18. Avvibreringssystem
19. Bruksanvisning
20. Kombinasjonsnøkkel
21. Tomgangsskrue

Symboler på produktet



ADVARSEL! Dette produktet kan være farlig og føre til alvorlig personskade eller død for brukeren eller andre. Vær forsiktig, og bruk produktet riktig.



Les nøye gjennom bruksanvisningen, og sørg for at du har forstått instruksjonene før bruk.



Bruk godkjent hørselsvern og godkjent øyvern. Bruk åndedrettsvern hvis omgivelsene er støvete.



Bruk godkjente vernehansker.



Dette produktet samsvarer med gjeldende EF-direktiver.



Blanding av bensin og totaktsolje.



Pumpe (blære).



Choke, åpen stilling.



Choke, lukket stilling.



Støyutslipp til omgivelsene i henhold til EU-direktiv 2000/14/EF og New South Wales-forskriften «Protection of the Environment Operations (Noise Control) Regulation

2017». Du finner informasjon om støyutslipp på maskinetiketten og i kapitlet Tekniske data.



Se opp for gjenstander som slynges ut. Gjenstander som slynges ut kan føre til alvorlig skade. Bruk personlig verneutstyr.



Hold en sikkerhetsavstand på minst 15 m til personer eller dyr.

yyyywwxxxx

Typeskillet viser serienummeret. **yyyy** er produksjonsåret og **ww** er produksjonsuken.

Merk: Øvrige symboler/klistremerker angitt på produktet gjelder sertifiseringskrav for andre markeder.

Euro V-utslipp



ADVARSEL: Tukling med motoren opphever EU-type-godkjenningen til dette produktet.

Produktansvar

Som nevnt i lovverket om produktansvar er vi ikke ansvarlig for skader som produktet vårt forårsaker, i følgende tilfeller:

- Produktet er reparert på feil måte.
- Produktet er reparert med deler som ikke kommer fra produsenten eller som ikke er godkjent av produsenten.
- Produktet har et tilbehør som ikke kommer fra produsenten eller som ikke er godkjent av produsenten.
- Produktet er ikke reparert på et godkjent servicesenter eller av en godkjent aktør.

Sikkerhet

Sikkerhetsdefinisjoner

Definisjonene nedenfor angir alvorlighetsgraden for hvert signalord.



ADVARSEL: Skade på personer.



OBS: Skade på produktet.

Merk: Denne informasjonen gjør produktet lettere å bruke.

Generelle sikkerhetsinstruksjoner



ADVARSEL: Les de følgende advarelinstruksjonene før du bruker produktet.

- Ikke utfør endringer på produktet uten godkjenning fra produsenten, og bruk alltid originalt tilbehør. Endringer og/eller tilbehør som ikke er godkjent, kan føre til alvorlig skade eller død for brukeren eller andre.
- Ikke bruk et skadet produkt. Utfør sikkerhetskontroller og vedlikehold som oppgitt i bruksanvisningen. Alt annet vedlikeholdsarbeid må utføres av godkjent servicepersonell.
- Alt av service- og reparasjonsarbeid må utføres av godkjent servicepersonell. Ta kontakt med serviceforhandleren din hvis en del av produktet er defekt.

Sikkerhetsinstruksjoner for drift



ADVARSEL: Les de følgende advarelinstruksjonene før du bruker produktet.

- Dette produktet kan være farlig og føre til alvorlig personskade eller død for brukeren eller andre. Vær forsiktig, og bruk produktet riktig.
- Utfør en kontroll av produktet før bruk. Se *Vedlikehold på side 257*.
- Ikke bruk dette produktet dersom du er trett eller syk eller under påvirkning av alkohol eller andre rusmidler som kan redusere syn, dømmekraft og motorikk.
- Monter alle deksler og skjermer før bruk. Pass på at tennpluggetten og tenningskabelen ikke er skadet, for å forhindre elektrisk støt.
- Ikke berør tennpluggen eller tenningskabelen når motoren er i gang.
- Hold en sikkerhetsavstand på minst 15 m til personer eller dyr. Stopp produktet dersom personer, barn eller dyr kommer nærmere enn 15 m unna. Pek produktet vekk fra personer, dyr, åpne vinduer og andre objekter.
- Ikke la barn bruke produktet. Påse at alle brukere leser og forstår innholdet i bruksanvisningen.
- Hold hender eller andre gjenstander vekk fra blåserhuset under bruk. De roterende delene kan føre til alvorlig skade
- Ikke bruk produktet hvis luftinntaksskjermen ikke er montert. Påse alltid at luftinntaksskjermen er montert og ikke er skadet før bruk.
- Dersom det oppstår en nødsituasjon skal du åpne hoftebeltet og brystbeltet på selen og la produktet falle.
- Følg nasjonale forskrifter og direktiver.
- Hold alle kroppsdeler unna varme overflater.

- For mye vibrasjoner kan forårsake skader på blodsirkulasjons- eller nervesystemet. Oppsøk lege hvis du har symptomer, for eksempel dovnang, manglende følelse, «kiling», «stikk», smerte, manglende eller redusert styrke, forandringer i hudens farge eller overflate på fingre, hender eller håndledd.
- Se opp for gjenstander som slynges ut. Gjenstander som slynges ut kan føre til alvorlig skade.
- Ikke bruk produktet i dårlig vær, for eksempel tåke, regn, sterk vind eller for kalde omgivelser. Det å utføre arbeid i dårlig vær kan føre til at du blir sliten, og farlige forhold.
- Sørg for at du kan bevege deg og holder en stabil stilling. Kontroller arbeidsområdet for mulige hindringer, for eksempel steiner. Vær forsiktig hvis du bruker produktet i en helling.
- Ikke legg produktet på bakken med motoren på.
- Ikke bruk produktet fra høye stillinger, for eksempel på en stige.
- Pass på at du alltid kan høres dersom det inntreffer en ulykke.
- Påse at eksosgassutløpet ikke er blokkert. Hold hindringer minst 50 cm unna eksosgassutløpet for å forhindre skader på produktet.
- Ikke start produktet innendørs, i dårlig luftstrøm eller i nærheten av brennbare materialer. Motorens avgasser inneholder karbonmonoksid som kan forårsake karbonmonoksidforgiftning. Motorens avgasser er varme og kan inneholde gnister som kan starte en brann.

Personlig verneutstyr



ADVARSEL: Les de følgende advarelinstruksjonene før du bruker produktet.

- Benytt godkjent verneutstyr når du bruker produktet. Verneutstyr kan aldri fullstendig forhindre skade, men det reduserer skadeomfanget. Kontakt forhandleren for mer informasjon.
- Bruk godkjent hørselsvern. Langvarig eksponering for støy kan gi varige hørselsskader.
- Bruk godkjent øyevern. Ved bruk av visir skal det også brukes godkjente vernebriller. Godkjente vernebriller er slike som tilfredsstiller standard ANSI Z87.1 for USA eller EN 166 for EU-land.
- Bruk vernehansker under bruk og vedlikehold.
- Bruk vernehansker eller -sko med sklisikre såler.
- Bruk klær i solid stoff og hel lengde. Ikke bruk smykker eller åpne sko. For å senke ulykkesrisikoen må klærne dine være tettsittende, men ikke begrense bevegelsene dine. Sett opp håret over skuldrene for å forhindre at det dras inn i roterende deler eller setter seg fast i greiner.
- Bruk åndedrettsvern når det er risiko for støv.
- Ha førstehjelpsutstyr i nærheten.

Sikkerhetsutstyr på produktet



ADVARSEL: Les de følgende advarslene før du bruker produktet.

- Ikke bruk produktet dersom sikkerhetsutstyret er defekt.
- Utfør regelmessig kontroll av sikkerhetsutstyret. Se *Vedlikehold på side 257*.
- Ta kontakt med din Husqvarna-serviceforhandler dersom sikkerhetsutstyret er defekt.

Slik kontrollerer du lyddemperen



ADVARSEL: Ikke bruk et produkt med en defekt lyddemper.



ADVARSEL: Lyddemperen blir svært varm under og etter bruk, også på tomgang. Bruk vernehansker for å forhindre brannskader.



ADVARSEL: Innsiden av lyddemperen inneholder kjemikalier som kan være kreftfremkallende. Ikke berør lyddemperen hvis den er skadet.

- Utfør regelmessig en visuell inspeksjon av lyddemperen. Lyddemperen begrenser støynivået og sender avgassene bort fra brukeren. Se *Slik utfører du vedlikehold på lyddemperen på side 258*.

Slik kontrollerer du avvibreringssystemet

1. Forsikre deg om at det ikke er noen sprekker eller misdannelser på avvibreringsenhetene.
2. Kontroller at avvibreringsenhetene er festet riktig til motorenheten og håndtakenheten.

Se *Produktoversikt på side 251* for informasjon om hvor avvibreringssystemet er på produktet ditt.

Slik kontrollerer du start/stopp-bryteren

1. Bruk start/stopp-bryteren til å stoppe motoren.

2. Kontroller at motoren stopper helt.

Hvis du vil se hvor start/stopp-bryteren er på produktet, kan du se *Produktoversikt på side 251*.

Drivstoffsikkerhet



ADVARSEL: Les de følgende advarelinstruksjonene før du bruker produktet.

- Ikke bland eller fyll på drivstoff innendørs eller i nærheten av en varmekilde.
- Ikke start produktet hvis det er olje eller drivstoff på produktet eller på kroppen din.
- Ikke start produktet hvis motoren lekker drivstoff. Kontroller motoren for drivstofflekkasjer med jevne mellomrom.
- Vær alltid forsiktig med drivstoff. Drivstoff er brannfarlig, og avgassene er eksplosive og kan forårsake alvorlig personskade eller død.
- Ikke start inn bensindamp, da dette kan føre til personskade. Pass på at det er tilstrekkelig luftstrøm.
- Du må ikke røyke i nærheten av drivstoff eller motoren.
- Ikke plasser produktet eller en drivstoffbeholder i nærheten av varme gjenstander, en åpen flamme, en gnist eller en pilotflamme.
- Bruk alltid godkjente beholdere for oppbevaring og transport av drivstoff.

Sikkerhetsinstruksjoner for vedlikehold



ADVARSEL: Les de følgende advarelinstruksjonene før du bruker produktet.

- Stopp motoren, fjern tennpluggen og la motoren kjøle seg ned før vedlikehold og montering.
- En blokkert gnistfangerskjerm kan føre til at motoren blir overopphetet, noe som kan skade motoren.
- Hvis gnistfangernettet ofte blir tett, kan dette være et tegn på redusert katalysatorytelse. Få serviceforhandleren til å undersøke lyddemperen.

Montering

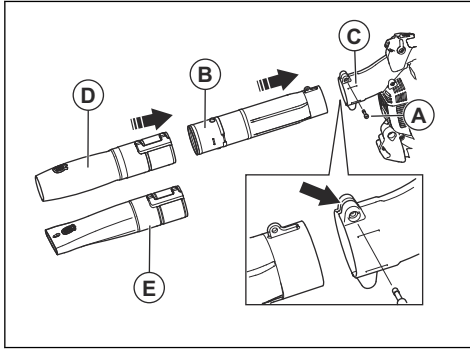
Innledning



ADVARSEL: Les og forstå kapittelet om sikkerhet før du monterer produktet.

Slik monterer du blåserrøret

1. Løsne klemmeskruen (A).



2. Monter mellomrøret (B) på blåserrøret (C).
3. Monter og trekk til klemmeskruen (A).
4. Monter det runde munnstykket (D) eller det flate munnstykket (E) på mellomrøret.

Drift

Innledning



ADVARSEL: Les og forstå kapittelet om sikkerhet før du bruker produktet.

Drivstoff

Dette produktet har en totaktsmotor.



OBS: Feil type drivstoff kan føre til skader på motoren. Bruk en blanding av bensin og totaktsolje.

Forhåndsblandet drivstoff

- Bruk Husqvarna forhåndsblandet alkylatdrivstoff for å få best mulig ytelse og forlengelse av motorens levetid. Drivstoffet inneholder færre skadelige stoffer sammenlignet med vanlig drivstoff, noe som reduserer skadelige avgasser. Mengden rester etter forbrenning er lavere med dette drivstoffet, noe som holder motoren ren.

Slik blander du drivstoff

Bensin

- Bruk kvalitetsbensin av blyfri type med maksimalt 10 prosent etanolinnhold.



OBS: Ikke bruk bensin med et oktantal som er mindre enn 90 RON/87 AKI. Bruk av lavere oktantal kan føre til motorbanking, noe som forårsaker motorskader.

Totaktsolje

- For å få best mulig resultat og ytelse bør du bruke Husqvarna-totaktsolje.
- Hvis det ikke er mulig å få tak i Husqvarna-totaktsolje, kan du bruke en totaktsolje av høy kvalitet for luftkjølte motorer. Snakk med serviceforhandleren din for å velge riktig olje.



OBS: Bruk ikke totaktsolje beregnet på vannkjølte påhengsmotorer, såkalt outboardoil. Ikke bruk olje for firetaktsmotorer.

Blande bensin og totaktsolje

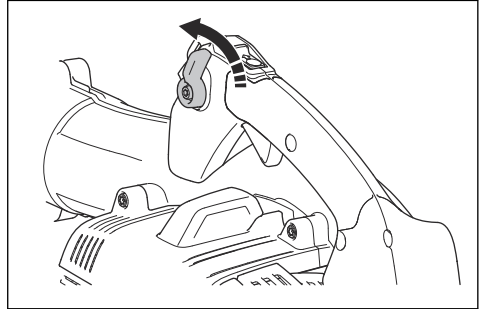
Bensin, liter	Totaktsolje, liter
	2 % (50:1)
5	0,10
10	0,20
15	0,30
20	0,40



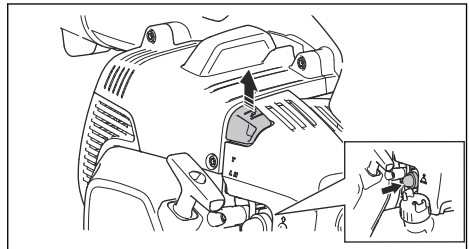
OBS: Små feil kan påvirke blandingsforholdet drastisk når du blander små mengder drivstoff. Mål oljemengden som skal blandes, svært nøyaktig for å sikre at du får riktig blandingsforhold.

Slik starter du produktet

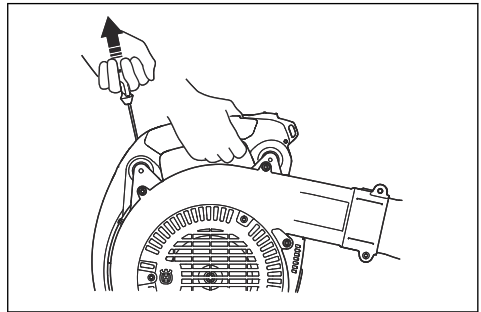
1. Sett gasregulatoren i tomgangsstilling.



2. Hvis motoren er kald, flytter du chokehendelen til stengt chokestilling.

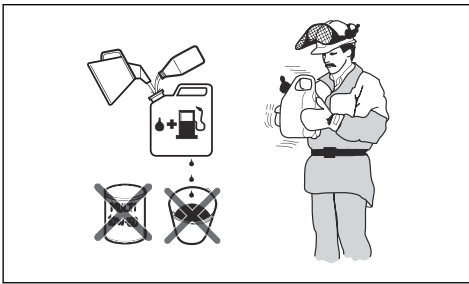


3. Trykk på pumpen gjentatte ganger inntil drivstoff begynner å fylle blæren. Det er ikke nødvendig å fylle blæren helt.
4. Plasser produktet på et flatt underlag eller på bakken.
5. Hold produktet med høyre hånd.



OBS: Ikke bruk føttene til å holde produktet.

6. Trekk sakte i startsnorhåndtaket til du kjenner motstand.
7. Trekk raskt i startsnorhåndtaket med venstrehånden. Trekk gjentatte ganger i startsnoren til motoren starter.



1. Fyll halve drivstoffmengden i en ren beholder for drivstoff.
2. Tilsett all oljen.
3. Rist drivstoffblandingen.
4. Fyll resten av bensinen på beholderen.
5. Rist drivstoffblandingen forsiktig.



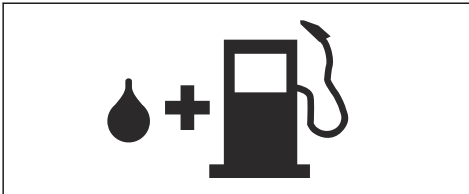
OBS: Ikke bland drivstoff for mer enn én måned om gangen.

Slik fyller du drivstofftanken



ADVARSEL: Utfør følgende prosedyren for din egen sikkerhet.

1. Stopp motoren, og la motoren bli avkjølt.
2. Tørk rent rundt drivstofflokket.



3. Rist beholderen, og forsikre deg om at drivstoffet er helt blandet.
4. Åpne drivstofflokket sakte for å slippe ut trykket.
5. Fyll drivstofftanken.



OBS: Kontroller at det ikke er for mye drivstoff i drivstofftanken. Drivstoffet utvides når det blir varmt.

6. Trekk forsiktig til drivstofflokket.
7. Rengjør drivstoffsøl på og rundt produktet.
8. Flytt produktet minst tre meter bort fra drivstoffkilden og stedet der du fylte drivstoff, før du starter motoren.

Merk: Hvis du vil finne ut hvor drivstofftanken er på produktet, kan du se *Innledning på side 251*.

Merk: Ikke trekk startsnoren helt ut, og ikke slipp håndtaket på startsnoren.

8. Hvis motoren er kald, flytter du chokehendelen til åpen stilling.
9. Hvis motoren er kald, lar du den gå i to-tre minutter for å varme den opp før bruk.



ADVARSEL: Luft slippes ut når motoren startes, og når produktet går på tomgang. Ikke la personer komme nær produktet eller blåserørret.

Slik bruker du produktet

- Bruk produktet ved vanlige arbeidstider. Følg lokale forskrifter.
- Reduser mengden utstyr som brukes, og velg riktig hastighet for arbeidet. Bruk gassregulatoren på lavest mulig stilling for å forhindre mer støy og støv enn nødvendig.
- Hold blåsermunnstykket nær bakken.

Merk: Husqvarna anbefaler at du bruker den fullstendige blåserørforlengeren.

- Merk deg vindretningen, og bruk produktet i vindretningen.

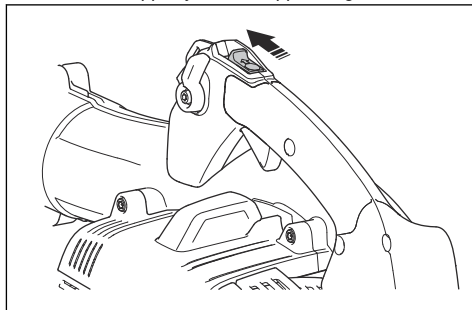
- Bruk nødvendige hageredskaper til å løsne materiale fra bakken.
- I støvete områder bruker du sprøyteutstyr til å væte området. Dette reduserer driftstiden.
- Etter bruk oppbevarer du produktet vertikalt.

Slik slår du av motoren



OBS: Ikke stopp produktet ved full hastighet.

- Sett start/stopp-bryteren i stopp-stillingen.



Vedlikehold

Innledning



ADVARSEL: Les og forstå kapittelet om sikkerhet før du utfører vedlikehold på produktet.

Vedlikeholdsskjema

Vedlikehold	Daglig	Ukentlig	Månedlig
Rengjør de utvendige flatene.	X		
Kontroller at gassregulatoren fungerer som den skal.	X		
Kontroller at start/stopp-bryteren fungerer som den skal. Se <i>Slik kontrollerer du start/stopp-bryteren på side 254.</i>	X		
Undersøk motoren, drivstofftanken og drivstofflinjene for lekkasjer. Undersøk drivstofffilteret for forurensning. Skift ut drivstofffilteret om nødvendig.	X		
Rengjør luftfilteret. Skift ut luftfilteret om nødvendig.	X		
Trekk til muttere og skruer.	X		
Undersøk luftinntaket og pass på at det ikke er blokkert.	X		
Undersøk starteren og startsnoren for skader.		X	
Undersøk de vibrasjonsdempende enhetene for skader, sprekker og deformering. Kontroller at de vibrasjonsdempende enhetene er riktig installert.		X	

Vedlikehold	Daglig	Ukentlig	Månedlig
Kontroller tennpluggen. Se <i>Kontrollere tennpluggen på side 258.</i>		X	
Rengjør kjølesystemet.		X	
Rengjør utsiden av forgasseren og området rundt den.		X	
Rengjør drivstofftanken.			X
Undersøk alle kabler og forbindelser.			X
Undersøk og rengjør lyddemperens gnistfangernett (for produkter uten katalysator).		X	
Undersøk og rengjør lyddemperens gnistfangernett (for produkter med katalysator).			X
Skift tennplugg. Påse at den har støydemping.			X

Slik justerer du tomgangsturtallet

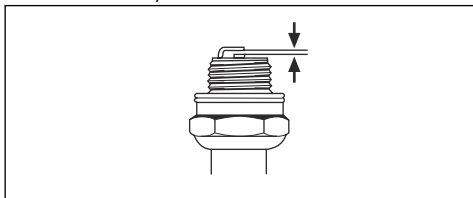
1. Sørg for at luftfilteret er rent og at luftfilterdekelet er festet.
2. Juster tomgangsturtallet med tomgangsskruen. Hvis du vil se hvor tomgangsskruen er på produktet, kan du se *Produktoversikt på side 251.*

Kontrollere tennpluggen



OBS: Bruk anbefalt tennplugg. Se *Kontrollere tennpluggen på side 258.* Feil tennplugg kan føre til skade på produktet.

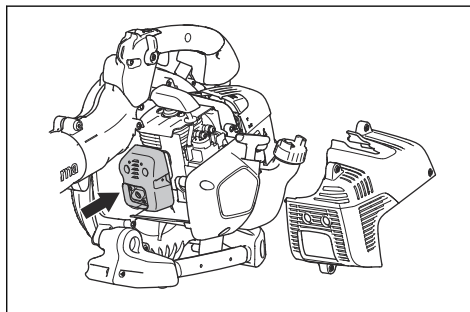
1. Stopp motoren, og la produktet bli avkjølt.
2. Rengjør tennpluggen hvis den er skitten.
3. Kontroller at elektrodeavstanden er riktig. Se *Tekniske data på side 261.*



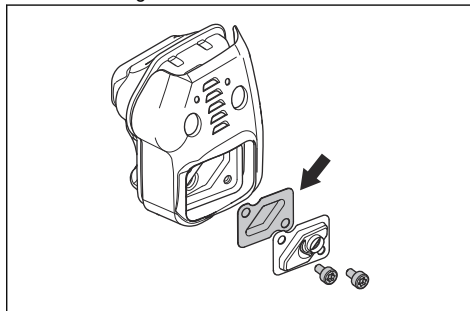
4. Skift tennpluggen månedlig, eller oftere om nødvendig.

Slik utfører du vedlikehold på lyddemperen

1. Stopp motoren, og la lyddemperen bli avkjølt. Bruk vernehansker.



2. Ta av lyddemperdekelet.
3. Utfør en visuell kontroll. Bytt ut gnistfangernettet hvis det er ødelagt.



Slik inspiserer og rengjør du kjølesystemet.

Kjølesystemet inkluderer kjøleflensene på sylinderen og luftinntaksskjermen.

1. Stopp motoren.
2. Kontroller at kjølesystemet ikke er skittent eller tilstoppet. Rengjør luftinntaksskjermen og kjøleflensene om nødvendig.



OBS: Et tilsmusset eller tett kjølesystem kan øke motortemperaturen og kan forårsake skader på produktet. En tilstoppet luftinntaksskjerm reduserer blåsestyrken.

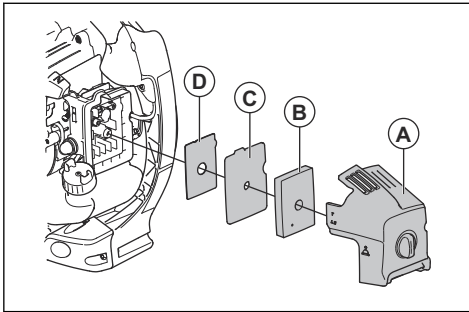
3. Undersøk kjølesystemet for skader. Pass på at delene er riktig festet til produktet.

Slik rengjør du luftfilteret



OBS: Ikke bruk produktet uten luftfilter eller med et skadet luftfilter. Støv i luften kan forårsake skader på motoren.

1. Flytt chokehendelen til lukket choke-stillingen.
2. Ta av luftfilterdekselet (A).



3. Ta ut luftfilteret (B) fra filterrammen.
4. Rengjør luftfilteret (B) med varmt vann med såpe.

Merk: Et luftfilter som har vært i bruk i lang tid, blir aldri fullstendig rent. Skift luftfilteret regelmessig, og skift alltid ut et defekt luftfilter.

5. Rengjør den indre overflaten til luftfilterdekselet (A) med en børste.
6. Fjern og skift ut filteret (C) hvis det er skittent.
7. Monter nettet (D), filteret (C) og luftfilteret (B).
8. Monter luftfilterdekselet (A) på produktet.

Feilsøking

Motoren kan ikke startes		
Kontroller	Mulig årsak	Løsning
Stoppknapp.	Stopp-stilling	Sett stoppbryteren i startstillingen.
Starthaker.	Blokkerte eller slitte starthaker.	Juster eller skift ut starthakene.
		Rengjør rundt starthakene.
		Ta kontakt med en godkjent serviceforhandler.
Drivstofftank	Feil drivstoff-type	Tøm drivstofftanken, og bruk riktig drivstoff.
Forgasser.	Justering av tomgangsturtallet	Juster tomgangsturtallet med tomgangsjusteringskruen.

Motoren kan ikke startes		
Kontroller	Mulig årsak	Løsning
Gnist (ingen gnist).	Tennpluggen er skitten eller våt.	Kontroller at tennpluggen er tørr og ren.
	Elektrodeavstanden på tennpluggen er feil.	Rengjør tennpluggen. Kontroller at elektrodeavstanden er riktig. Påse at tennpluggen har støydemping. Se Tekniske data for den riktige elektrodeavstanden.
Tennplugg	Tennpluggen sitter løst.	Stram til tennpluggen.
	Det er uønsket materiale på tennpluggens elektroder.	Pass på at drivstoffblandingen er riktig. Kontroller at luftfilteret er rent.

Motoren starter, men stopper igjen		
Kontroller	Mulig årsak	Løsning
Drivstofftank	Feil drivstofftype	Tøm den og bruk riktig drivstoff.
Forgasser.	Motoren fungerer ikke korrekt på tomgang.	Snakk med serviceforhandleren din.
Luftfilter.	Tilstoppet luftfilter.	Rengjør luftfilteret.

Transport og oppbevaring



ADVARSEL: For å forhindre brannfare må du sikre at det ikke er noen lekkasjer eller avgasser under transport eller oppbevaring. Pass på at det ikke er noen fare for gnister eller brann.

- Oppbevar produktet på et tørt, kjølig og rent sted med god luft sirkulasjon. Hold produktet utilgjengelig for barn.

- Tøm drivstofftanken før transport eller lengre tids oppbevaring. Trykk på luftpumpen for å sikre at alt drivstoffet er fjernet. Lever drivstoffet hos en returstasjon.
- Før lang tids oppbevaring må du sørge for at produktet er rent og at fullstendig service er utført.
- Fjern tennpluggen og hell omtrent 15 ml totaktolje i sylindere. Snu produktet tre ganger, og monter tennpluggen igjen.
- Fest produktet til kjøretøyet på en sikker måte under transport.

Tekniske data

Tekniske data

	Husqvarna 525BX
Motor	
Sylindervolum, cm ³	25,4
Tomgangsturtall, o/min	3000
Katalysator	Ja
Tenningssystem	
Tennplugg	NGK BPMR8Y
Elektrodeavstand, mm	0,6/-0,7
Drivstoff-/smøresystem	
Drivstofftankens kapasitet, l / cm ³	0,45 / 450
Vekt	
Vekt, uten drivstoff, kg	4,4
Støyutslipp⁵⁵	
Lydeffektnivå, målt dB (A)	104
Lydeffektnivå, garantert L _{WA} dB (A)	106
Lydnivåer⁵⁶	
Ekvivalent lydtrykksnivå ved brukerens øre, målt etter EN15503 dB(A):	
Utstyrt med rundt munnstykke	91
Utstyrt med flatt munnstykke	92
Vibrasjonsnivåer⁵⁷	
Ekvivalente vibrasjonsnivåer (a _{h_v,eq}) i håndtak, målt i henhold til EN 15503, m/s ²	
Utstyrt med rundt munnstykke	1,2
Utstyrt med flatt munnstykke	2,0
Vifteeffekt	
Maks. lufthastighet med rundt munnstykke, m/s	70
Maks. lufthastighet med flatt munnstykke, m/s	86
Lufflyt med rundt munnstykke, m ³ /min	13

⁵⁵ Utslipp av støy til omgivelsene målt som lydeffekt (L_{WA}) samsvarer med EF-direktiv 2000/14/EF. Rapporterte lydeffektnivåer for maskinen er målt med det originale blåsermunnstykke som gir høyest nivå. Forskjellen mellom garantert og målt lydeffekt er at garantert lydeffekt også omfatter spredning i måleresultatet og variasjoner mellom forskjellige maskiner av samme modell, i henhold til direktivet 2000/14/EF.

⁵⁶ Rapporterte data for ekvivalent lydtrykksnivå for maskinen har en typisk statistisk spredning (standardavvik) på 1,0 dB (A).

⁵⁷ Rapporterte data for vibrasjonsnivå har en typisk statistisk spredning (standardavvik) på 1,0 m/s².

	Husqvarna 525BX
Luftflyt med flatt munnstykke, m ³ /min	10

EF-samsvarserklæring

Husqvarna AB, SE-561 82 Huskvarna, Sverige, tlf.: +46-36-146500, erklærer at blåseren **Husqvarna 525BX**, med serienummer fra 2016 og fremover (året er tydelig merket på typeskiltet, etterfulgt av serienummeret), samsvarer med kravene i RÅDSDIREKTIVET:

- fra 17. mai 2006 «angående maskiner», **2006/42/EF**
- fra 26. februar 2014, «angående elektromagnetisk kompatibilitet», **2014/30/EU**
- fra 8. mai 2000 «angående utslipp av støy til omgivelsene», **2000/14/EF** Vurdering av overensstemmelse utført i henhold til Vedlegg V. For informasjon angående støyutslipp kan du se *Tekniske data på side 261*.
- fra 8. juni 2011 «om begrensning i bruk av visse farlige stoffer i elektrisk og elektronisk utstyr» **2011/65/EU**.

Følgende standarder er blitt brukt:

EN ISO 12100-2/A1:2009, CISPR 12:2009, EN 15503:2009/A2:2015, EN 50581:2012

RISE SMP Svensk Maskinprovning AB, har utført frivillig typekontroll på vegne av Husqvarna AB. Sertifikatet er nummerert: **SEC/14/2423** – 525BX

Huskvarna, 2020-01-01



Per Gustafsson, utviklingssjef (autorisert representant for Husqvarna AB og ansvarlig for teknisk dokumentasjon)

SPIS TREŚCI

Wstęp.....	264	Rozwiązywanie problemów.....	273
Bezpieczeństwo.....	265	Transport i przechowywanie.....	274
Montaż.....	268	Dane techniczne.....	275
Przeznaczenie.....	268	Deklaracja zgodności WE.....	277
Przegląd.....	271		

Wstęp

Opis produktu

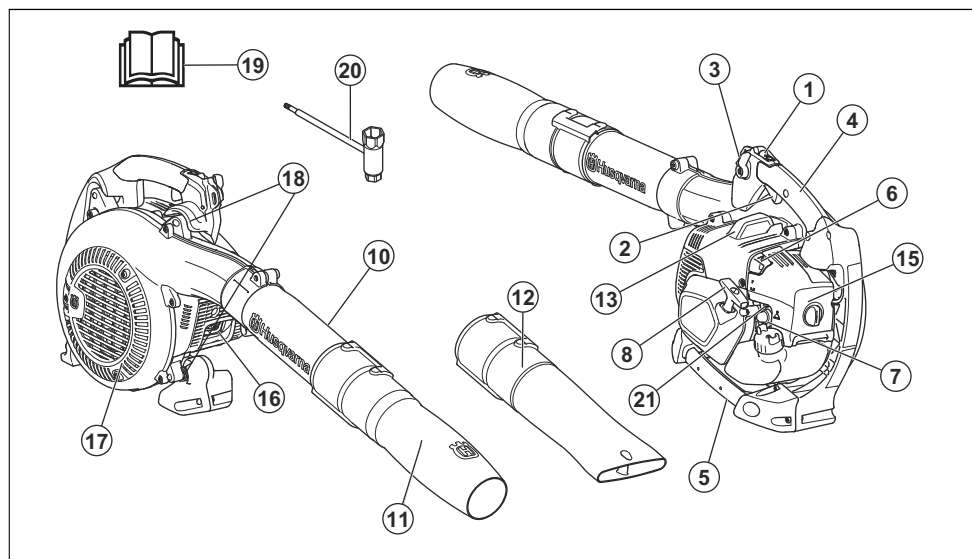
To urządzenie jest dmuchawą z silnikiem spalinowym.

Nieustannie modernizujemy swoje wyroby, w związku z czym zastrzegamy sobie prawo do wprowadzania zmian dotyczących m.in. wyglądu produktów bez uprzedzenia.

Przeznaczenie

Produkt jest przeznaczony do zmiatania liści oraz innych niepożądanych materiałów z powierzchni takich jak chodniki, ścieżki i drogi asfaltowe.

Przegląd produktu



1. Przełącznik start/stop
2. Dźwignia gazu
3. Dźwignia przepustnicy
4. Uchwyt sterujący
5. Uchwyt
6. Dźwignia ssania
7. Pompka
8. Rączka linki rozrusznika
9. Śruba klamry
10. Rura pośrednicząca
11. Dysza okrągła
12. Końcówka wylotowa płaska
13. Świeca zapłonowa
14. Zakrętka zbiornika paliwa
15. Filtr powietrza
16. Tłumik
17. Osłona wlotu powietrza
18. Układ tłumienia drgań
19. Instrukcja obsługi
20. Klucz dwustronny
21. Śruba obrotów jałowych

Symbole znajdujące się na produkcie



OSTRZEŻENIE! Produkt może spowodować poważne obrażenia ciała lub śmierć operatora lub innych osób. Zachować ostrożność i prawidłowo korzystać z produktu.



Przed przystąpieniem do pracy należy dokładnie i ze zrozumieniem zapoznać się z treścią niniejszej instrukcji obsługi.



Należy używać zatwierdzonych ochronników słuchu oraz zatwierdzonych okularów ochronnych. Używać maski przeciwpyłowej w miejscach, w których występuje pył.



Nosić rękawice ochronne.



Niniejszy produkt jest zgodny z obowiązującymi dyrektywami wspólnoty europejskiej.



Mieszanka benzyny i oleju do silników dwusuwowych.



Gruszka pompki paliwa.



Ssanie w położeniu otwartym.



Ssanie w położeniu zamkniętym.



Emisje hałasu do środowiska zgodnie z dyrektywą europejską 2000/14/WE i przepisami Nowej Południowej Walii „Protection of the Environment Operations (Noise Control) Regulation 2017”. Dane dotyczące emisji hałasu można znaleźć na

etykietce maszyny oraz w rozdziale „Dane techniczne”.



Uważać na odrzucone przedmioty. Odrzucone przedmioty mogą spowodować poważne obrażenia ciała. Stosuj środki ochrony osobistej.



Zachować bezpieczną odległość co najmniej 15 m od osób postronnych oraz zwierząt.

yyyywwxxxx

Tabliczka znamionowa z numerem seryjnym. **yyyy** oznacza rok produkcji, a **ww** tydzień produkcji.

Uwaga: Pozostałe symbole/naklejki samoprzylepne umieszczone na produkcie dotyczą wymogów związanych z certyfikatami w innych obszarach komercyjnych.

Emisje Euro V



OSTRZEŻENIE: Ingerencja w silnik powoduje unieważnienie europejskiego zatwierdzenia typu produktu.

ODPOWIEDZIALNOŚĆ ZA PRODUKT

Zgodnie z przepisami dotyczącymi odpowiedzialności za produkt nie ponosimy odpowiedzialności za szkody spowodowane przez nasz produkt, jeśli:

- produkt jest nieprawidłowo naprawiany.
- produkt jest naprawiany przy użyciu części nie pochodzących od producenta lub niezatwierdzonych przez producenta.
- produkt jest wyposażony w akcesoria nie pochodzące od producenta lub niezatwierdzone przez producenta.
- produkt nie jest naprawiany w autoryzowanym centrum serwisowym lub przez autoryzowaną placówkę.

Bezpieczeństwo

Definicje dotyczące bezpieczeństwa

Poniższe definicje nadają poziom znaczenia każdemu słowu sygnałowemu.



OSTRZEŻENIE: Obrażenia osób.



UWAGA: Uszkodzenie produktu.

Uwaga: Ta informacja ułatwia używanie maszyny.

Ogólne zasady bezpieczeństwa



OSTRZEŻENIE: Przed rozpoczęciem użytkowania produktu przeczytać następujące ostrzeżenia.

- Nie wprowadzać zmian do urządzenia bez zgody producenta i zawsze korzystać z oryginalnych akcesoriów. Modyfikacje i akcesoria, które nie zostały zatwierdzone przez producenta, mogą stać się przyczyną groźnych obrażeń lub śmierci operatora urządzenia bądź innych osób.
- Nie wolno używać uszkodzonego produktu. Należy przeprowadzać kontrole bezpieczeństwa i czynności konserwacyjne opisane w niniejszej instrukcji obsługi. Wszelkie pozostałe prace konserwacyjne muszą być wykonywane przez pracowników autoryzowanego serwisu.
- Wszelkie prace serwisowe oraz naprawy muszą być wykonywane przez pracowników autoryzowanego serwisu. Jeśli jakkolwiek część urządzenia jest wadliwa, należy zwrócić się do punktu serwisowego.

Instrukcje bezpieczeństwa dotyczące obsługi



OSTRZEŻENIE: Przed rozpoczęciem użytkowania produktu przeczytać następujące ostrzeżenia.

- Produkt może spowodować poważne obrażenia ciała lub śmierć operatora lub innych osób. Zachować ostrożność i prawidłowo korzystać z produktu.
- Przed uruchomieniem urządzenia należy sprawdzić jego stan techniczny. Patrz *Przegląd na stronie 271*.
- Nie używać urządzenia będąc zmęczonym, chorym lub pod wpływem alkoholu, narkotyków czy lekarstw, które mogą wpływać negatywnie na wzrok, zdolność oceny sytuacji lub koordynację ruchów.
- Zamontować wszystkie pokrywy i osłony przed użyciem urządzenia. Aby uniknąć porażenia prądem, należy upewnić się, że fajka świecy zapłonowej i przewód zapłonowy nie są uszkodzone.
- Nie dotykać świecy zapłonowej ani przewodu zapłonowego podczas pracy silnika.
- Zachować bezpieczną odległość co najmniej 15 m od osób postronnych oraz zwierząt. Wyłączyć urządzenie, gdy osoby postronne, dzieci lub zwierzęta znajdują się w odległości bliższej niż 15 m. Zwracać urządzenie w kierunku przeciwnym do osób postronnych, zwierząt, otwartych okien i innych obiektów.
- Nie wolno pozwalać dzieciom na obsługę produktu. Wszyscy operatorzy urządzenia powinni zapoznać się z treścią niniejszej instrukcji obsługi.
- Podczas pracy urządzenia należy trzymać ręce i wszelkie inne obiekty z dala od obudowy dmuchawy.

Części obrotowe mogą spowodować poważne obrażenia ciała.

- Nie używać urządzenia, jeśli osłona wlotu powietrza nie została zamontowana. Przed użyciem należy się zawsze upewnić, że osłona wlotu powietrza jest zamontowana i nie jest uszkodzona.
- W przypadku wystąpienia awarii należy zwolnić pas biodrowy i piersiowy, a następnie opuścić urządzenie.
- Należy przestrzegać wszystkich przepisów oraz dyrektyw prawa krajowego.
- Należy uważać, aby nie dotknąć żadną częścią ciała gorących powierzchni.
- Zbyt wysoki poziom drgań może spowodować uszkodzenie układu krwionośnego lub nerwowego. W przypadku rozpoznania u siebie objawów takich jak odrętwienie, utrata czucia, mrowienie, kłucie, ból, utrata siły lub odbarwienia dłoni, palców lub nadgarstków należy zwrócić się do lekarza.
- Uważać na odrzucane przedmioty. Odrzucane przedmioty mogą spowodować poważne obrażenia ciała.
- Nie używać urządzenia w niesprzyjających warunkach atmosferycznych, np. w mgłę, w deszczu, przy silnym wietrze lub na silnym mrozie. Praca w takich warunkach może powodować zmęczenie i stwarzać niebezpieczeństwo.
- Należy zapewnić sobie możliwość poruszania się i pracy w stabilnej pozycji. Sprawdzić obszar pracy pod kątem ewentualnych przeszkód, np. kamieni. Należy zachować ostrożność podczas pracy na pochyłości.
- Nie stawiać urządzenia na podłożu podczas pracy silnika.
- Nie należy uruchamiać urządzenia na podwyższeniu, np. na drabinie.
- Należy upewnić się, że w razie wypadku operator urządzenia będzie słyszany.
- Należy sprawdzić, czy wylot spalin nie jest zablokowany. Aby zapobiec uszkodzeniu urządzenia, zachować minimum 50 cm odstępów między wylotem spalin a przeszkodami.
- Nigdy nie włączać urządzenia w pomieszczeniach, miejscach ze złym przepływem powietrza ani w pobliżu materiałów łatwopalnych. Spaliny silnikowe zawierają tlenek węgla, którego wdychanie może spowodować zatrucie. Spaliny silnikowe mają wysoką temperaturę i mogą wraz z nimi wydostawać się iskry, dlatego stanowią zagrożenie pożarowe.

Środki ochrony osobistej



OSTRZEŻENIE: Przed rozpoczęciem użytkowania produktu przeczytać następujące ostrzeżenia.

- Podczas używania urządzenia należy zawsze mieć na sobie środki ochrony osobistej dopuszczone do użytku przez odpowiednie władze. Środki ochrony osobistej nie eliminują ryzyka odniesienia obrażeń,

natomiast mogą ograniczyć ich rozmiar. Dodatkowe informacje można uzyskać w punkcie sprzedaży.

- Stosować atestowane ochronniki słuchu. Długotrwałe narażenie na hałas może doprowadzić do trwałego uszkodzenia słuchu.
- Stosuj atestowane środki ochrony oczu. Używając maski ochronnej twarzy, nosić także zatwierdzone okulary ochronne. Za zatwierdzone okulary ochronne uważane są takie, które są zgodne z normami ANSI Z87.1 dla USA lub EN 166 dla krajów UE.
- Stosować rękawice ochronne podczas obsługi i konserwacji.
- Nosić buty ochronne lub buty z antypoślizgowymi podeszwami.
- Nosić długą odzież uszytą z materiału odpornego na rozdarcie. Nie nosić biżuterii ani otwartego obuwia. Aby zmniejszyć ryzyko odniesienia obrażeń, operator powinien mieć na sobie dopasowaną, ale nieograniczającą swobody ruchów odzież. Włosy należy spiąć powyżej ramion, aby zapobiec możliwości ich przedostania się do części obrotowych lub zaplątania o gałęzie.
- Jeśli istnieje ryzyko powstawania pyłu, załóż także środki ochrony dróg oddechowych.
- Zawsze mieć pod ręką apteczkę.

Zespoły zabezpieczające na urządzeniu



OSTRZEŻENIE: Przed rozpoczęciem użytkowania produktu przeczytać następujące ostrzeżenia.

- Nie należy używać maszyny z uszkodzonymi urządzeniami zabezpieczającymi.
- Regularnie przeprowadzać kontrole urządzeń zabezpieczających. Patrz *Przegląd na stronie 271*.
- Jeśli urządzenia zabezpieczające są uszkodzone, skontaktować się z warsztatem obsługi technicznej Husqvarna.

Sprawdzanie tłumika



OSTRZEŻENIE: Nie używać produktu z uszkodzonym tłumikiem.



OSTRZEŻENIE: Podczas pracy urządzenia, również na biegu jałowym, oraz po wyłączeniu urządzenia tłumik jest bardzo gorący. Stosować rękawice ochronne, aby zapobiec oparzeniom.



OSTRZEŻENIE: Wewnątrz tłumika znajdują się substancje chemiczne mogące wywoływać choroby nowotworowe. Nie dotykać uszkodzonego tłumika.

- Regularnie przeprowadzać kontrolę wzrokową tłumika. Tłumik ogranicza do minimum poziom hałasu i odprowadza spaliny poza strefę pracy operatora. Patrz *Konserwacja tłumika na stronie 272*.

Sprawdzanie układu amortyzowania drgań

1. Sprawdzić, czy amortyzatory nie są pęknięte lub odkształcone.
2. Upewnić się, że amortyzatory są prawidłowo przymocowane do silnika i uchwytów.

Aby uzyskać informacje na temat lokalizacji systemu tłumienia drgań w danym produkcie, patrz *Przegląd produktu na stronie 264*.

Sprawdzanie wyłącznika

1. Silnik należy wyłączać za pomocą przełącznika start/stop.
2. Upewnić się, że silnik został całkowicie wyłączony.

Aby sprawdzić, gdzie w urządzeniu znajduje się przełącznik start/stop, patrz *Przegląd produktu na stronie 264*.

Zasady bezpieczeństwa dotyczące paliwa



OSTRZEŻENIE: Przed rozpoczęciem użytkowania produktu przeczytać następujące ostrzeżenia.

- Nie mieszać ani nie dolewać paliwa wewnątrz pomieszczeń ani w pobliżu źródła ciepła.
- Nie uruchamiać urządzenia, jeśli doszło do rozlania paliwa lub oleju na urządzenie lub ciało.
- Nie uruchamiać urządzenia w przypadku wycieku paliwa z silnika. Regularnie sprawdzać silnik pod kątem nieszczelności.
- Ostrożnie obchodzić się z paliwem. Paliwo jest łatwopalne, a jego opary mogą wybuchnąć, powodując poważne obrażenia lub śmierć.
- Nie wdychać oparów paliwa, ponieważ może to być groźne dla zdrowia lub życia. Zapewnić odpowiednią wentylację.
- Nie palić tytoniu w pobliżu paliwa lub silnika.
- Nie umieszczać urządzenia ani pojemnika na paliwo w pobliżu gorących obiektów, otwartego płomienia, iskry lub płomienia zapłonowego.
- Zawsze należy korzystać z zatwierdzonych pojemników do przechowywania i transportu paliwa.

Instrukcje bezpieczeństwa dotyczące konserwacji



OSTRZEŻENIE: Przed rozpoczęciem użytkowania produktu przeczytać następujące ostrzeżenia.

- Zatrzymać silnik, wymontować świecę zapłonową i poczekać, aż silnik ostygnie przed przystąpieniem do konserwacji lub montażu.
- Zatkany chwytacz iskier może powodować przegrzewanie się silnika, a w konsekwencji jego uszkodzenie.

- Jeżeli siatka zapycha się często, może to oznaczać, że uległa zmniejszeniu efektywność działania katalizatora. W takim przypadku należy oddać tłumik do przeglądu w punkcie serwisowym.

Montaż

Wstęp

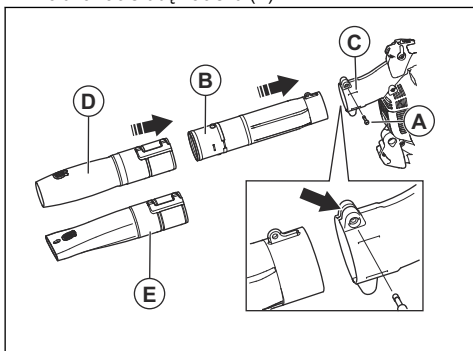


OSTRZEŻENIE: Przed zmontowaniem produktu należy zapoznać się z rozdziałem dotyczącym bezpieczeństwa.

2. Zamontować rurę pośredniczącą (B) i rurę dmuchawy (C).
3. Wkręcić i dokręcić śrubę zacisku (A).
4. Zamontować okrągłą (D) lub płaską dyszę (E) na rurze pośredniczącej.

Montaż rury dmuchawy

1. Poluzować śrubę zacisku (A).



Przeznaczenie

Wstęp



OSTRZEŻENIE: Przed użyciem produktu należy zapoznać się z rozdziałem dotyczącym bezpieczeństwa.

gazów wydechowych. Ilość pozostałości po spaleniu tego paliwa jest mniejsza, co zapewnia większą czystość elementów silnika.

Mieszanie paliwa

Benzyzna

- Należy używać wysokiej jakości benzyny bezołowiowej o maks. 10% zawartości etanolu.

Paliwo

Produkt jest wyposażony w silnik dwusuwowy.



UWAGA: Nieprawidłowy rodzaj paliwa może doprowadzić do uszkodzenia silnika. Używać mieszanki benzyny i oleju do silników dwusuwowych.



UWAGA: Nie używać benzyny o liczbie oktanowej niższej niż 90 RON/87 AKI. Używanie benzyny o niższej liczbie oktanowej może powodować odgłosy stukania i prowadzić do uszkodzenia silnika.

Wstępnie wymieszane paliwo

- W celu zapewnienia najlepszej wydajności i wydłużenia żywotności silnika należy używać wstępnie wymieszanego paliwa alkilowego Husqvarna. Takie paliwo zawiera mniej szkodliwych substancji chemicznych w porównaniu z tradycyjnym paliwem, dzięki czemu wytwarza mniej szkodliwych

Olej do silników dwusuwowych

- Aby uzyskać najlepsze wyniki i wydajność, należy używać oleju do silników dwusuwowych Husqvarna.
- Jeśli olej Husqvarna do silników dwusuwowych nie jest dostępny, należy użyć dobrej jakości oleju do

silników dwusuwowych chłodzonych powietrzem. Skontaktować się z dealerem ds. serwisu w celu wybrania właściwego oleju.



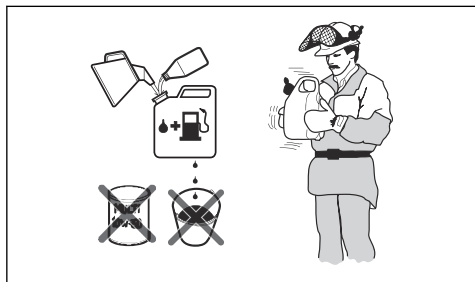
UWAGA: Nigdy nie używaj oleju do silników dwusuwowych przeznaczonych do chłodzonych wodą, zaburtowych silników do łodzi. Nie używać oleju przeznaczonych do silników czterusuwowych.

Mieszanie benzyny i oleju do silników dwusuwowych

Benzyzna, w litrach	Olej do silników dwusuwowych, w litrach
	2% (50:1)
5	0,10
10	0,20
15	0,30
20	0,40



UWAGA: Podczas mieszania małych ilości paliwa niewielkie błędy mogą mieć znaczny wpływ na proporcje mieszanki. W celu uzyskania prawidłowej mieszanki należy dokładnie odmierzyć ilość dodawanego oleju.



1. Wlać połowę objętości benzyny do czystego pojemnika na paliwo.
2. Wlać pełną ilość oleju.
3. Wymieszać dokładnie paliwo z olejem, potrząsając pojemnikiem.
4. Dodać pozostałą objętość benzyny do pojemnika.
5. Wymieszać dokładnie paliwo z olejem, potrząsając pojemnikiem.



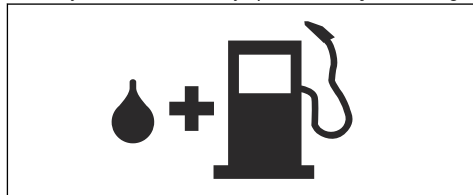
UWAGA: Nie mieszać jednorazowo większej ilości paliwa niż wymagana na 1 miesiąc pracy.

Napełnianie zbiornika paliwa



OSTRZEŻENIE: Należy przestrzegać następującej procedury w celu zapewnienia bezpieczeństwa użytkownika.

1. Wyłączyć silnik i poczekać, aż ostygnie.
2. Oczyszczyć korek wlewowy i powierzchnię wokół niego.



3. Wstrząsnąć pojemnikiem i upewnić się, że paliwo jest dobrze wymieszone.
4. Wyjąć korek zbiornika paliwa w celu wyrównania ciśnienia.
5. Napełnianie zbiornika paliwa.



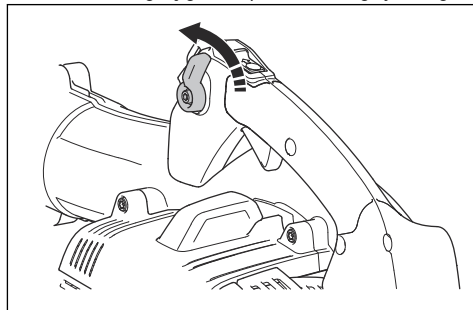
UWAGA: Upewnić się, że w zbiorniku paliwa nie ma zbyt dużo paliwa. Paliwo rozszerza się po nagrzaniu.

6. Ostrożnie dokręcić korek zbiornika paliwa.
7. Usunąć rozlane paliwo z produktu i jego otoczenia.
8. Przed uruchomieniem silnika należy przenieść produkt na odległość 3 m/10 stóp lub więcej od miejsca tankowania i przechowywania paliwa.

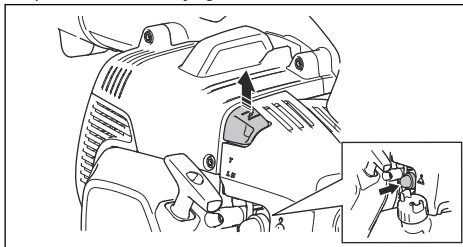
Uwaga: Aby sprawdzić, gdzie w produkcie znajduje się zbiornik paliwa, patrz *Wstęp na stronie 264*.

Uruchamianie produktu

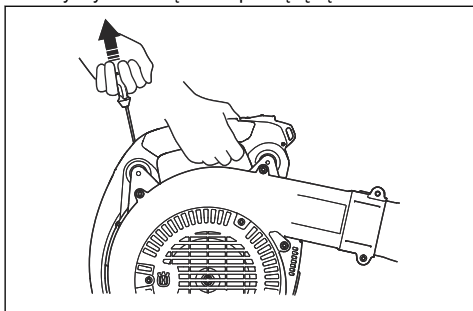
1. Ustawić dźwignię gazu w położeniu biegu jałowego.



2. Jeśli silnik jest zimny, przestawić dźwignię ssania do położenia zamkniętego.



3. Nacisnąć kilkakrotnie gruszkę pompki paliwa, aby napełniła się paliwem. Nie jest konieczne całkowite napełnienie gruszki pompki paliwa.
4. Umieścić urządzenie na płaskiej powierzchni na ziemi.
5. Przytrzymać urządzenie prawą ręką.



UWAGA: Nie przytrzymywać urządzenia stopami.

6. Powoli ciągnąć rączkę linki rozrusznika do poczucia oporu.
7. Pociągnąć za rączkę linki rozrusznika lewą ręką. Pociągnąć rączkę linki rozrusznika kilkakrotnie aż do uruchomienia silnika.

Uwaga: Nie ciągnąć rączki linki rozrusznika do pełnego wysunięcia i nie puszczać jej.

8. Jeśli silnik jest zimny, przestawić dźwignię ssania do położenia otwartego.
9. Przed rozpoczęciem korzystania z urządzenia, należy pozostawić silnik włączony przez 2–3 minuty, jeśli jest zimny.



OSTRZEŻENIE: Powietrze jest wyrzucane po uruchomieniu silnika, a także w czasie pracy na biegu jałowym. Nie dopuszczać osób postronnych w pobliżu urządzenia ani rury dmuchawy.

Obsługa produktu

- Używać urządzenia podczas typowych godzin pracy. Przestrzegać lokalnych przepisów.
- Zmniejszyć liczbę pracujących urządzeń i dostosować prędkość do potrzeb i charakteru pracy. Ustawić przepustnicę w najniższej możliwej pozycji, aby zapobiec większej niż to konieczne emisji hałasu i pyłu.
- Trzymać dyszę dmuchawy blisko podłoża.

Uwaga: Firma Husqvarna zaleca stosowanie pełnego przedłużenia dyszy dmuchawy.

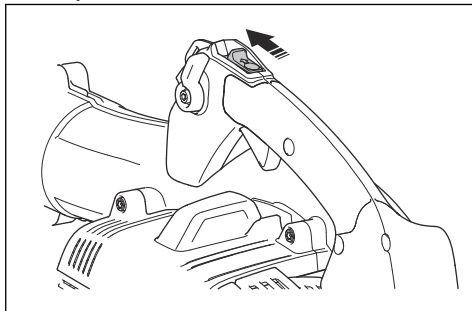
- Należy zwrócić uwagę na kierunek wiatru i sterować urządzeniem zgodnie z kierunkiem, w którym wieje.
- Użyć odpowiednich narzędzi ogrodniczych, aby oddzielić materiał od podłoża.
- Na obszarach, gdzie występuje pył, użyć urządzeń spryskujących, aby zwilżyć teren. Pozwoli to ograniczyć czas pracy.
- Po zakończeniu pracy przechowywać urządzenie w pozycji pionowej.

Wyłączanie silnika



UWAGA: Nie wyłączać urządzenia przy pełnych obrotach.

- Ustawić przełącznik START/STOP w położeniu zatrzymania.



Przegląd

Wstęp



OSTRZEŻENIE: Przed przystąpieniem do konserwacji produktu zapoznać się z rozdziałem dotyczącym bezpieczeństwa.

Plan konserwacji

Przegląd	Codzie- nie	Co tyd- zień	Co miesi- ąc
Oczyszczyć powierzchnie zewnętrzne.	X		
Upewnić się, że dźwignia gazu działa prawidłowo.	X		
Upewnić się, że przełącznik start/stop działa prawidłowo. Patrz <i>Sprawdzenie wyłącznika na stronie 267</i> .	X		
Sprawdzić silnik, zbiornik paliwa i przewody paliwowe pod kątem wycieków. Sprawdzić filtr paliwa pod kątem zanieczyszczeń. W razie konieczności wymienić filtr paliwa.	X		
Oczyszczyć filtr powietrza. W razie konieczności wymienić filtr powietrza.	X		
Dokręcić nakrętki i śruby.	X		
Sprawdzić wlot powietrza, aby upewnić się, że nie jest zablokowany.	X		
Sprawdzić rozrusznik i linkę rozrusznika pod kątem uszkodzeń.		X	
Sprawdzić elementy amortyzujące pod kątem uszkodzeń, pęknięć i odkształceń. Upewnić się, że elementy amortyzujące są prawidłowo zamontowane.		X	
Sprawdzić świecę zapłonową. Patrz <i>Sprawdzenie świecy zapłonowej na stronie 271</i> .		X	
Oczyszczyć układ chłodzenia.		X	
Wyczyścić zewnętrzną powierzchnię gaźnika oraz przestrzeń wokół niego.		X	
Oczyścić zbiornik paliwa.			X
Sprawdzić stan wszystkich przewodów i połączeń.			X
Sprawdzić i oczyścić chwytacz isker znajdujący się na tłumiku (w urządzeniach bez katalizatora).		X	
Sprawdzić i oczyścić chwytacz isker znajdujący się na tłumiku (w urządzeniach z katalizatorem).			X
Wymienić świecę zapłonową. Upewnić się, że jest podłączona z tłumikiem.			X

Regulacja obrotów biegu jałowego

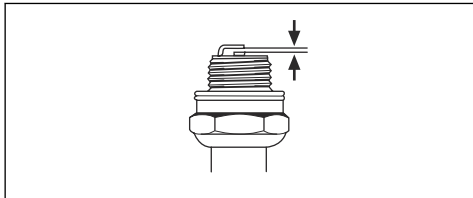
1. Sprawdzić, czy filtr powietrza jest czysty, a jego pokrywa została zamontowana.
2. Ustawić obroty biegu jałowego za pomocą śruby obrotów jałowych. Aby sprawdzić, gdzie w produkcie znajduje się śruba obrotów jałowych, patrz *Przegląd produktu na stronie 264*.

Sprawdzenie świecy zapłonowej



UWAGA: Używać zalecanej świecy zapłonowej. Patrz *Sprawdzenie świecy zapłonowej na stronie 271*. Nieprawidłowa świeca zapłonowa może doprowadzić do uszkodzenia maszyny.

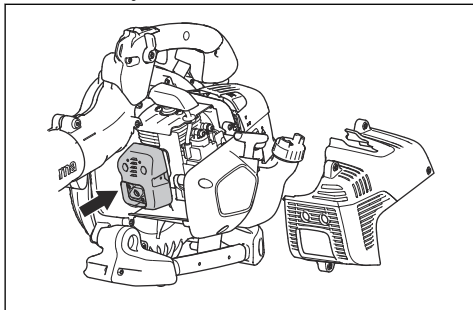
1. Wyłączyć silnik i poczekać, aż urządzenie ostygnie.
2. Wyczyścić świecę zapłonową, jeśli jest brudna.
3. Upewnić się, że odstęp między elektrodami jest prawidłowy. Patrz *Dane techniczne na stronie 275*.



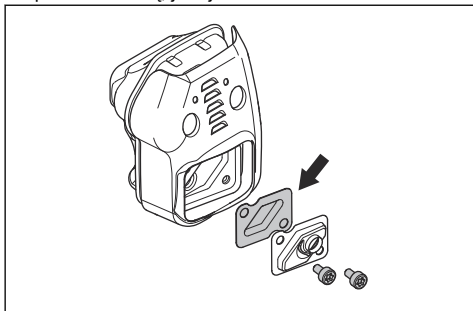
4. Wymieniać świecę zapłonową co miesiąc lub częściej, jeśli zachodzi taka potrzeba.

Konserwacja tłumika

1. Wyłączyć silnik i poczekać, aż tłumik ostygnie. Stosować rękawice ochronne.



2. Zdjąć pokrywę tłumika.
3. Przeprowadzić kontrolę wzrokową. Wymienić siatkę przeciwiskrową, jeśli jest uszkodzona.



Kontrola i oczyszczanie układu chłodzenia

Układ chłodzenia zawiera żebra chłodzące na cylindrze i osłonie wlotu powietrza.

1. Zatrzymać silnik.
2. Sprawdzić, czy system chłodzący nie jest zabrudzony lub zatkany. W razie konieczności oczyścić osłonę wlotu powietrza i żebra chłodzące.



UWAGA: Zanieczyszczony lub zatkany układ chłodzenia może podnieść temperaturę silnika i doprowadzić do uszkodzenia urządzenia. Zatkana osłona wlotu powietrza zmniejsza siłę wydmuchu.

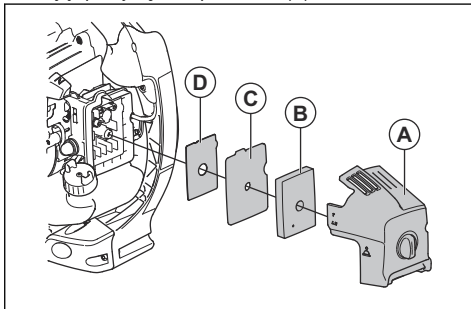
3. Sprawdzić układ chłodzenia pod kątem uszkodzeń. Upewnić się, że części urządzenia są prawidłowo zamocowane.

Czyszczenie filtra powietrza



UWAGA: Nie uruchamiać silnika, jeśli filtr powietrza nie jest zamontowany lub jest uszkodzony. Pył w powietrzu może spowodować uszkodzenie silnika.

1. Przesunąć dźwignię ssania do położenia zamkniętego.
2. Zdjąć pokrywę filtra powietrza (A).



3. Wyjąć filtr powietrza (B) z ramki filtra.
4. Umyć filtr powietrza (B) ciepłą wodą z mydłem.

Uwaga: Całkowite oczyszczenie filtra po długim okresie użytkowania nie jest możliwe. Wymienić filtr powietrza regularnie i zawsze wymieniać uszkodzony filtr powietrza.

5. Wyczyścić szczotką powierzchnię wewnętrzną pokrywy filtra powietrza (A).
6. Jeśli filtr filcowy (C) jest zanieczyszczony, należy go wymienić na nowy.
7. Zamocować siatkę przeciwiskrową (D), filtr filcowy (C) i filtr powietrza (B).
8. Zamocować pokrywę filtra powietrza (A) w urządzeniu.

Rozwiązywanie problemów

Silnik się nie uruchamia		
Kontrola	Możliwa przyczyna	Rozwiązanie długoterminowe
Przycisk stop.	Pozycja zatrzymania	Przesuń wyłącznik do położenia włączenia.
Zabieraki rozrusznika.	Zablokowane lub zużyte zabieraki rozrusznika.	Wyregulować lub wymienić zabieraki rozrusznika.
		Wyczyścić powierzchnię wokół zabieraków rozrusznika.
		Skontaktować się z autoryzowanym punktem serwisowym.
Zbiornik paliwa.	Niewłaściwy rodzaj paliwa.	Opróżnić zbiornik paliwa i użyć odpowiedniego paliwa.
Gaźnik.	Regulacja obrotów biegu jałowego.	Ustawić obroty biegu jałowego dyszą regulacyjną obrotów biegu jałowego.
Iskra (brak iskry).	Świeca zapłonowa zanieczyszczona lub mokra.	Sprawdzić, czy świeca zapłonowa jest sucha i czysta.
	Odstęp między elektrodami na świecy zapłonowej jest nieprawidłowy.	Wyczyść świecę zapłonową. Upewnij się, że odstęp między elektrodami jest prawidłowy. Upewnij się, czy świeca zapłonowa jest wyposażona w tzw. eliminator zakłóceń radiowych.
		Informacje na temat odpowiedniego odstępu między elektrodami znajdują się w danych technicznych.
świeca zapłonowa,	Świeca zapłonowa jest poluzowana.	Dokręć świecę zapłonową.
	Na elektrodach świecy zapłonowej znajduje się niepożądany materiał.	Dopilnować, aby używana była odpowiednia mieszanka paliwowa.
		Zadbać o czystość filtra powietrza.

Silnik odpala i gaśnie		
Kontrola	Możliwa przyczyna	Rozwiązanie długoterminowe
Zbiornik paliwa.	Niewłaściwy rodzaj paliwa.	Opróżnić zbiornik i wlać właściwe paliwo.

Silnik odpala i gaśnie		
Kontrola	Możliwa przyczyna	Rozwiązanie długoterminowe
Gaźnik.	Silnik nie działa prawidłowo przy obrotach biegu jałowego.	Należy zwrócić się do punktu serwisowego.
Filtr powietrza	Zapchany filtr powietrza.	Wyczyścić filtr powietrza.

Transport i przechowywanie



OSTRZEŻENIE: Aby zapobiec ryzyku pożaru podczas transportu i przechowywania, należy upewnić się, że nie ma żadnych przecieków ani nie wydostają się żadne opary. Upewnić się, że nie występuje żadne ryzyko zetknięcia się z iskrą lub wystąpienia pożaru.

- Opróżnić zbiornik paliwa przed transportem lub długim przechowywaniem. Nacisnąć kilkakrotnie gruszkę pompki paliwa, aby upewnić się, że całe paliwo zostało usunięte. Utylizacja paliwa musi odbywać się w odpowiednim miejscu.
- Przed długim okresem przechowywania należy upewnić się, że urządzenie jest czyste i zostało poddane pełnemu serwisowi.
- Wykręcić świecę zapłonową i wlać do cylindra ok. 15 ml oleju do silników dwusuwowych. Obrócić urządzenie 3 razy i ponownie zamontować świecę zapłonową.
- Bezpiecznie zamocować urządzenie do pojazdu na czas transportu.
- Urządzenie przechowywać w suchym, chłodnym i czystym miejscu o dobrej wentylacji. Przechowywać produkt z dala od dzieci.

Dane techniczne

Dane techniczne

	Husqvarna 525BX
Silnik	
Pojemność skokowa, cm ³	25,4
Obroty na biegu jałowym, obr./min	3000
Katalizator	Tak
Układ zapłonowy	
Świeca zapłonowa	NGK BPMR8Y
Odstęp między elektrodami świecy, w mm	0,6-0,7
Układ zasilania/smarowania	
Pojemność zbiornika paliwa, l / cm ³	0,45 / 450
Waga	
Masa, bez paliwa, kg	4,4
Poziom hałasu⁵⁸	
Zmierzony poziom mocy akustycznej, dB(A)	104
Poziom głośności, gwarantowana moc akustyczna [L _{WA} dB(A)]	106
Poziomy głośności⁵⁹	
Równoważny poziom ciśnienia akustycznego przy uchu operatora, mierzony zgodnie z normą EN15503 dB(A):	
Dysza okrągła	91
Dysza płaska	92
Poziomy wibracji⁶⁰	
Równoważne poziomy drgań uchwytów (a _{hv,eq}), zmierzone zgodnie z normami: EN 15503, m/s ²	
Dysza okrągła	1,2
Dysza płaska	2,0
Wydajność pracy wentylatora	
Maks. prędkość powietrza w przypadku dyszy okrągłej, w m/s	70

⁵⁸ Emisję hałasu do otoczenia zmierzono jako moc akustyczną (L_{WA}), zgodnie z dyrektywą WE 2000/14/WE. Odnotowany poziom ciśnienia akustycznego dla maszyny został zmierzony z oryginalnym dyszy dmuchawy, takim który daje najwyższy poziom hałasu. Różnica pomiędzy gwarantowanym a zmierzonym poziomem ciśnienia akustycznego wynika z tego, że poziom gwarantowany zawiera także rozproszenie w wynikach pomiaru oraz różnice pomiędzy różnymi typami maszyn tego samego modelu zgodnie z Dyrektywą 2000/14/EC.

⁵⁹ Odnotowane dane dla ciśnienia akustycznego mają typowe rozproszenie statystyczne (odchylenie standardowe) w wysokości 1,0 dB (A).

⁶⁰ Odnotowane dane dla poziomu wibracji mają typowe rozproszenie statystyczne (odchylenie standardowe) w wysokości 1,0 m/s².

	Husqvarna 525BX
Maks. prędkość powietrza w przypadku dyszy płaskiej, w m/s	86
Przepływ powietrza w przypadku okrągłej końcówki wylotowej, m ³ /min	13
Przepływ powietrza w przypadku płaskiej końcówki wylotowej, m ³ /min	10

Deklaracja zgodności WE

Deklaracja zgodności WE

Husqvarna AB, SE-561 82 Huskvarna, Szwecja, tel.:
+46-36-146500, niniejszym zapewnia, że dmuchawa

Husqvarna 525BX, począwszy od maszyn
wyprodukowanych w roku 2016 (rok produkcji jest
podany przed numerem seryjnym na tabliczce
znamionowej), są zgodne z przepisami zawartymi w
DYREKTYWIE RADY:

- dyrektywie maszynowej **2006/42/WE** z 17 maja 2006 r.
- z 26 lutego 2014 roku, „dotyczącej kompatybilności elektromagnetycznej” **2014/30/UE**
- dyrektywie dotyczącej emisji hałasu do otoczenia **2000/14/WE** z 8 maja 2000 r. Ocena zgodności została przeprowadzona według załącznika V. Informacje dotyczące emisji hałasu można znaleźć w rozdziale *Dane techniczne na stronie 275*.
- dyrektywie dotyczącej ograniczenia użycia niektórych substancji niebezpiecznych **2011/65/UE** z dnia 8 czerwca 2011 r.

Zostały zastosowane następujące normy:

**EN ISO 12100-2/A1:2009, CISPR 12:2009, EN
15503:2009/A2:2015, EN 50581:2012**

Dobrowolna kontrola homologacyjna na rzecz
Husqvarna AB została przeprowadzona przez RISE
SMP Svensk Maskinprovning AB, . Numer certyfikatu:
SEC/14/2423 - 525BX

Huskvarna, 2020-01-01



Per Gustafsson, kierownik ds. rozwoju (autoryzowany
przedstawiciel firmy Husqvarna AB oraz osoba
odpowiedzialna za dokumentację techniczną)

ÍNDICE

Introdução.....	278	Resolução de problemas.....	287
Segurança.....	279	Transporte e armazenamento.....	288
Montagem.....	282	Especificações técnicas.....	289
Funcionamento.....	282	Declaração CE de conformidade.....	291
Manutenção.....	285		

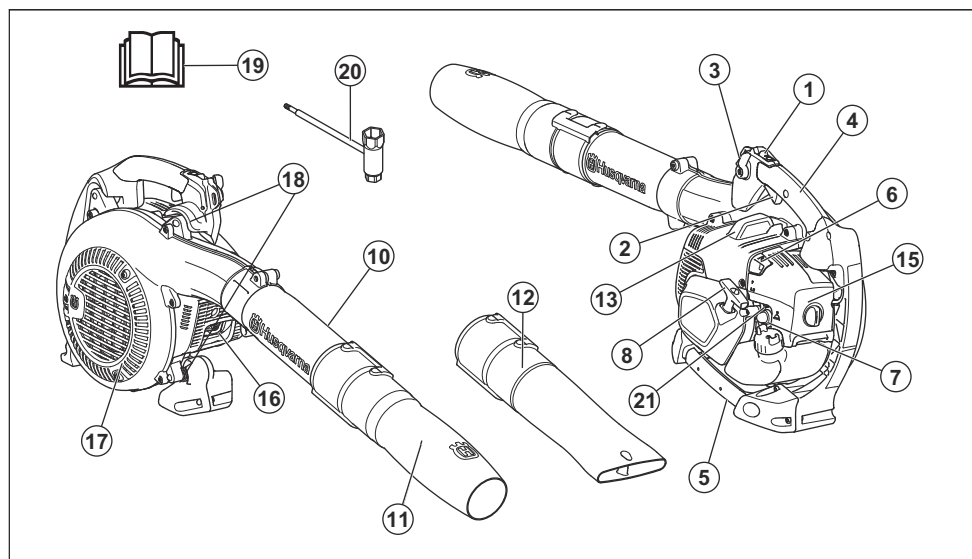
Introdução

Descrição do produto

O produto é um soprador com um motor a combustível.

Seguimos uma política de desenvolvimento contínuo dos nossos produtos e, por conseguinte, reservamo-nos o direito de modificar o design e o aspecto dos mesmos, sem aviso prévio.

Vista geral do produto



1. Interruptor de arranque/paragem
2. Acelerador
3. Acelerador
4. Punho de comando
5. Pega
6. Controlo do estrangulador
7. Bomba de combustível
8. Punho do cabo de arranque
9. Parafuso de fixação
10. Tubo intermédio

11. Bocal arredondado
12. Bocal plano
13. Vela de ignição
14. Tampa do depósito de combustível
15. Filtro de ar
16. Silenciador
17. Grelha de entrada de ar
18. Sistema antivibração
19. Manual do utilizador
20. Chave combinada

Símbolos no produto



AVISO! Este produto pode ser perigoso e provocar ferimentos graves ou a morte do operador ou de terceiros. Seja cuidadoso e utilize o produto corretamente.



Leia o manual do utilizador com atenção e certifique-se de que compreende as instruções antes de utilizar o produto.



Utilize protetores acústicos e proteção ocular aprovados. Se o ambiente tiver pó, utilize uma máscara respiratória.



Utilize luvas de proteção aprovadas.



Este produto está em conformidade com as diretivas aplicáveis da CE.



Mistura de gasolina e óleo para motores de dois tempos.



Ampola da purga de ar.



Estrangulador, posição aberta.



Estrangulador, posição fechada.



Emissões de ruído para o meio ambiente de acordo com a Diretiva Europeia 2000/14/CE e com o regulamento "Protection of the Environment Operations (Noise Control) Regulation 2017" (regulamento de proteção de operações no meio ambiente [controle do ruído] de 2017 da Nova Gales do Sul). Os dados das emissões de ruído podem ser

encontrados na etiqueta da máquina no capítulo Especificações técnicas.



Tenha cuidado com a projeção de objetos. Os objetos projetados podem causar ferimentos graves. Use equipamento de proteção pessoal.



Mantenha uma distância de segurança de, no mínimo, 15 m em relação a pessoas ou animais.

A etiqueta de tipo apresenta o número de série. **yyyy** corresponde ao ano de produção e **ww** à semana de produção.

yyyyywwxxxx

Nota: Os restantes símbolos/autocolantes existentes no produto dizem respeito a exigências para homologação em outras áreas comerciais.

Emissões Euro V



ATENÇÃO: A adulteração do motor anula a aprovação deste produto pela UE.

Responsabilidade pelo produto

Como referido nas leis de responsabilidade pelo produto, não somos responsáveis por danos causados pelo nosso produto se:

- o produto tiver sido incorretamente reparado.
- o produto tiver sido reparado com peças que não sejam do fabricante ou que não sejam aprovadas pelo fabricante.
- o produto tiver um acessório que não seja do fabricante ou que não seja aprovado pelo fabricante.
- o produto não tiver sido reparado por um centro de assistência autorizado ou por uma autoridade aprovada.

Segurança

Definições de segurança

As definições abaixo indicam o nível de gravidade para cada palavra do sinal.



ATENÇÃO: Ferimentos pessoais.



CUIDADO: Danos no produto.

Nota: Esta informação facilita a utilização do produto.

Instruções de segurança gerais



ATENÇÃO: Leia as instruções de aviso que se seguem antes de utilizar o produto.

- Não efetue alterações ao produto sem a aprovação do fabricante e utilize sempre acessórios originais. Modificações e/ou acessórios não aprovados podem resultar em ferimentos graves ou morte do operador ou de terceiros.
- Não utilize um produto danificado. Efetue as verificações de segurança e manutenção descritas neste manual do utilizador. Qualquer outra manutenção tem de ser realizada por pessoal de assistência aprovado.
- Todos os trabalhos de manutenção e reparação têm de ser realizados por pessoal de assistência aprovado. Se uma peça do produto apresentar defeitos, contacte o seu revendedor com assistência técnica.

Instruções de segurança para funcionamento



ATENÇÃO: Leia as instruções de aviso que se seguem antes de utilizar o produto.

- Este produto pode ser perigoso e provocar ferimentos graves ou a morte do operador ou de terceiros. Seja cuidadoso e utilize o produto corretamente.
- Inspeccione o produto antes de o utilizar. Consulte *Manutenção na página 285*.
- Não utilize o produto se estiver cansado, doente ou sob a influência de álcool ou outras drogas que possam afetar a sua visão, discernimento ou coordenação motora.
- Instale todas as coberturas e proteções antes da utilização. Para evitar choques elétricos, certifique-se de que a cobertura da vela de ignição e o cabo de ignição não estão danificados.
- Não toque na vela ou no cabo de ignição quando o motor está ligado.
- Mantenha uma distância de segurança de, no mínimo, 15 m em relação a pessoas ou animais. Se pessoas, crianças ou animais se aproximarem a menos de 15 m, pare o produto. Aponte o produto para longe de pessoas, animais, janelas abertas e outros objetos.

- Não permita que as crianças operem o produto. Certifique-se de que todos os operadores leem e compreendem o conteúdo deste manual do utilizador.
- Mantenha as mãos ou outros objetos afastados do alojamento do soprador durante o funcionamento. As peças rotativas podem provocar ferimentos graves.
- Não utilize o produto se a grelha de admissão de ar não estiver instalada. Certifique-se sempre de que a grelha de admissão de ar está instalada e não está danificada antes da utilização.
- Em caso de emergência, solte o cinto de cintura e o cinto do peito da correia e deixe o produto cair.
- Cumpra os regulamentos e diretivas nacionais.
- Mantenha todas as partes do corpo afastadas de superfícies quentes.
- Demasiada vibração pode causar problemas de circulação ou no sistema nervoso. Fale com o seu médico se apresentar sintomas como, por exemplo, entorpecimento, perda de sensibilidade, formigamento, pontadas, dor, perda de força ou alterações na cor da pele dos seus dedos, mãos ou pulsos.
- Tenha cuidado com a projeção de objetos. Os objetos projetados podem causar ferimentos graves.
- Não utilize o produto em condições meteorológicas desfavoráveis como, por exemplo nevoeiro, chuva, ventos fortes ou ambientes demasiado frios. Trabalhar em condições meteorológicas desfavoráveis pode provocar cansaço e condições perigosas.
- Certifique-se de que se pode mover e manter numa posição estável. Verifique a área de trabalho quanto a possíveis obstáculos como, por exemplo, pedras. Tenha cuidado se utilizar o produto num declive.
- Não coloque o produto no chão com o motor ligado.
- Não utilize o produto em locais elevados como, por exemplo, numa escada.
- Certifique-se de que pode sempre ser ouvido em caso de acidente.
- Certifique-se de que a saída dos gases de escape não está obstruída. Para evitar danos no produto, mantenha os obstáculos a uma distância mínima de 50 cm da saída dos gases de escape.
- Não ligue o produto em locais fechados, pouco ventilados ou próximo de material inflamável. Os gases de escape do motor contêm monóxido de carbono, o que pode causar envenenamento por monóxido de carbono. Os gases de escape do motor são quentes e podem conter faíscas que podem causar incêndios.

Equipamento de proteção pessoal



ATENÇÃO: Leia as instruções de aviso que se seguem antes de utilizar o produto.

- Utilize equipamento de proteção pessoal aprovado ao utilizar o produto. O equipamento de proteção pessoal não previne totalmente os ferimentos mas diminui a respectiva gravidade. Para mais informações, fale com o revendedor.
- Utilize protetores acústicos aprovados. A exposição prolongada a ruídos pode provocar danos auditivos permanentes.
- Utilize proteção ocular aprovada. Mesmo com viseira, é necessário utilizar óculos de proteção aprovados. É necessário que os óculos de proteção aprovados estejam em conformidade com a norma ANSI Z87.1 nos EUA ou a norma EN 166 nos países da UE.
- Utilize luvas de proteção durante a operação e manutenção.
- Utilize sapatos ou botas de proteção com solas antiderrapantes.
- Utilize vestuário de tecido resistente e comprido. Não utilize joias nem calçado aberto. Para diminuir o risco de ferimentos, o vestuário tem de ser justo, mas não pode limitar os seus movimentos. Coloque o cabelo acima dos ombros para evitar que este entre em peças rotativas ou que fique preso em ramos.
- Utilize proteção respiratória quando houver risco de poeira.
- Mantenha equipamentos de primeiros socorros sempre à mão.

Dispositivos de segurança no produto



ATENÇÃO: Leia as instruções de aviso que se seguem antes de utilizar o produto.

- Não utilize o produto com dispositivos de segurança defeituosos.
- Verifique regularmente os dispositivos de segurança. Consulte *Manutenção na página 285*.
- Se os dispositivos de segurança estiverem defeituosos, fale com o seu revendedor com assistência técnica Husqvarna.

Verificar o silenciador



ATENÇÃO: Não utilize um produto com um silenciador defeituoso.



ATENÇÃO: O silenciador aquece muito durante e após a utilização, e também à velocidade de ralenti. Use luvas de proteção para evitar queimaduras.



ATENÇÃO: O interior do silenciador contém produtos químicos potencialmente cancerígenos. Não toque no silenciador se este estiver danificado.

- Verifique visualmente o silenciador com regularidade. O silenciador mantém o mais baixo nível de ruído possível e afasta os gases de escape do utilizador. Consulte *Efetuar a manutenção do silenciador na página 286*.

Verificar o sistema antivibração

1. Certifique-se de que não existem fissuras nem deformações nas unidades antivibração.
2. Confirme que as unidades antivibração estão bem fixadas na unidade do motor e na unidade do punho.

Consulte *Vista geral do produto na página 278* para obter informações sobre a localização do sistema antivibração no produto.

Verificar o interruptor de arranque/paragem

1. Utilize o interruptor de arranque/paragem para parar o motor.
2. Certifique-se de que o motor para totalmente.

Para ver onde se encontra o interruptor start/stop no seu produto, consulte *Vista geral do produto na página 278*.

Segurança no manuseamento do combustível



ATENÇÃO: Leia as instruções de aviso que se seguem antes de utilizar o produto.

- Não misture ou adicione o combustível em espaços interiores ou próximo de uma fonte de calor.
- Não ligue o produto se existir óleo ou combustível no produto ou no seu corpo.
- Não ligue o produto se o motor tiver uma fuga de combustível. Examine regularmente o motor quanto a fugas de combustível.
- Tenha sempre cuidado com o combustível. O combustível é inflamável e os gases do combustível são explosivos e podem causar ferimentos graves ou morte.
- Não respire os gases do combustível, podem causar ferimentos. Certifique-se de que existe um fluxo de ar suficiente.
- Não fume perto de combustível ou do motor.
- Não coloque o produto ou um recipiente de combustível próximo de objetos quentes, de uma chama aberta, de uma faísca ou de uma luz piloto.
- Utilize recipientes aprovados para o transporte e armazenamento de combustível.

Instruções de segurança para manutenção



ATENÇÃO: Leia as instruções de aviso que se seguem antes de utilizar o produto.

- Desligue o motor, retire a vela de ignição e deixe o motor arrefecer antes da manutenção e montagem.
- Uma rede retentora de faíscas obstruída faz com que o motor fique demasiado quente, o que provoca danos no motor.

- Se a rede retentora de faíscas estiver frequentemente obstruída, pode ser indício de que o desempenho do catalisador está reduzido. Contacte o seu revendedor com assistência técnica para examinar o silenciador.

Montagem

Introdução

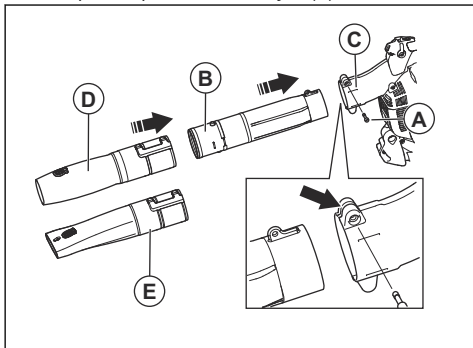


ATENÇÃO: Certifique-se de que lê e compreende o capítulo sobre segurança antes de montar o produto.

2. Instale o tubo intermédio (B) no tubo do soprador (C).
3. Instale e aperte o parafuso de fixação (A).
4. Instale o bocal arredondado (D) ou o bocal plano (E) no tubo intermédio.

Montar o tubo do soprador

1. Desaperte o parafuso de fixação (A).



Funcionamento

Introdução



ATENÇÃO: Certifique-se de que lê e compreende o capítulo sobre segurança antes de usar o produto.

combustível, o que mantém os componentes do motor mais limpos.

Para misturar o combustível

Gasolina

- Utilize gasolina sem chumbo de boa qualidade com um conteúdo de etanol de, no máximo, 10%.

Combustível

Este produto tem um motor de dois tempos.



CUIDADO: O tipo errado de combustível pode resultar em danos no motor. Utilize uma mistura de gasolina e óleo para motor de dois tempos.



CUIDADO: Não utilize gasolina com um índice de octanas inferior a 90 RON/87 AKI. A utilização de um índice de octanas inferior pode causar batimento do motor, o que provoca danos no motor.

Combustível previamente misturado

- Utilize combustível alquilado previamente misturado da Husqvarna para obter o melhor desempenho e prolongar a vida útil do motor. Este combustível contém substâncias químicas menos nocivas em comparação com o combustível normal, o que reduz os gases de escape nocivos. A quantidade de resíduos após a combustão é inferior com este

Óleo para motores a dois tempos

- Para obter melhores resultados e desempenho, use o óleo para motor de dois tempos da Husqvarna.
- Se o óleo para motores de dois tempos da Husqvarna não estiver disponível, use um óleo para motores de dois tempos de boa qualidade destinado a motores arrefecidos a ar. Entre em contacto com o

seu revendedor com assistência técnica para selecionar o óleo correto.



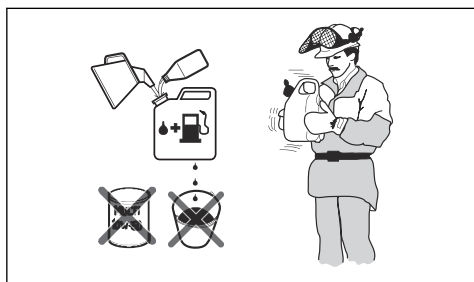
CUIDADO: Não use óleo para motores de dois tempos formulado para motores fora de borda arrefecidos a água, também conhecido como óleo para motores fora de borda. Não utilize óleo para motores a quatro tempos.

Misturar gasolina e óleo para motores de dois tempos

Gasolina, litros	Óleo para motor de dois tempos, litros
	2% (50:1)
5	0,10
10	0,20
15	0,30
20	0,40



CUIDADO: Ao misturar pequenas quantidades de combustível, existe o risco de pequenos erros poderem influenciar drasticamente a proporção da mistura. Meça cuidadosamente a quantidade de óleo e certifique-se de que obtém a mistura correta.



1. Encha metade da quantidade de gasolina num recipiente limpo para combustível.
2. Adicione a quantidade total de óleo.
3. Agite bem a mistura de combustível.
4. Adicione a restante quantidade de gasolina ao recipiente.
5. Agite cuidadosamente a mistura de combustível.



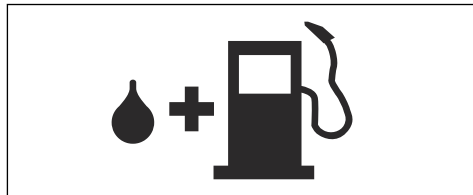
CUIDADO: Não misture combustível para mais de 1 mês de cada vez.

Para encher o depósito de combustível



ATENÇÃO: Cumpra o procedimento que se segue para sua segurança.

1. Desligue o motor e deixe-o arrefecer.
2. Limpe bem à volta da tampa do depósito de combustível.



3. Agite ligeiramente o recipiente e certifique-se de que o combustível fica totalmente misturado.
4. Retire a tampa do depósito de combustível lentamente para libertar a pressão.
5. Encha o depósito de combustível.



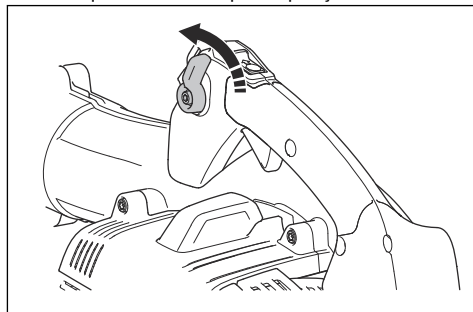
CUIDADO: Certifique-se de que não existe demasiado combustível no respetivo depósito. O combustível expande-se quando fica quente.

6. Aperte com cuidado a tampa do depósito de combustível.
7. Limpe o combustível derramado sobre e à volta do produto.
8. Antes de ligar o motor, afaste o produto, no mínimo, 3 m/10 pés da fonte de combustível e do local de abastecimento.

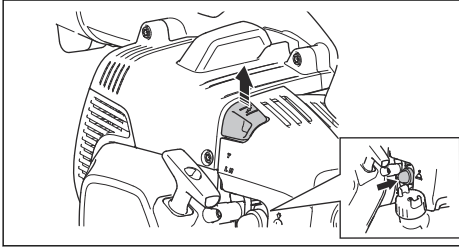
Nota: Para ver onde se encontra o depósito de combustível no seu produto, consulte *Introdução na página 278*.

Arranque

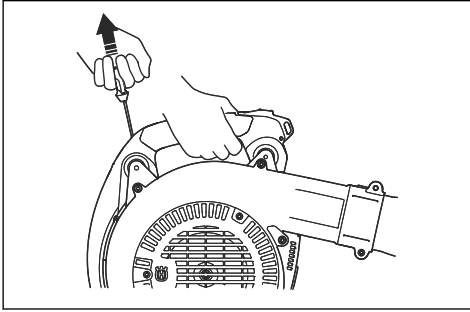
1. Desloque o acelerador para a posição de ralenti.



- Se o motor estiver frio, empurre o controlo do estrangulador para a posição de estrangulação fechada.



- Prima a ampola da purga de ar repetidamente, até o combustível começar a encher a respetiva ampola. Não é necessário encher a ampola da purga de ar totalmente.
- Coloque o produto no chão, numa superfície plana.
- Segure o produto com a mão direita.



CUIDADO: Não utilize os pés para segurar o produto.

- Puxe o punho do cabo de arranque lentamente até sentir resistência.
- Puxe rapidamente o punho do cabo de arranque com a mão esquerda. Puxe o punho do cabo de arranque repetidamente até que o motor arranque.

Nota: Não puxe totalmente o punho do cabo de arranque e não o largue.

- Se o motor estiver frio, coloque o controlo do estrangulador na posição aberta.
- Se o motor estiver frio, deixe-o a funcionar durante 2-3 minutos para que este aqueça antes da operação.



ATENÇÃO: O ar é libertado quando o motor é ligado e quando o produto está definido na velocidade de ralenti. Não permita que pessoas se aproximem do produto ou do tubo do soprador.

Utilizar o produto

- Utilize o produto nas horas de trabalho habituais. Respeite os regulamentos locais.
- Diminua as peças de equipamento e selecione a velocidade correta para a sua tarefa. Utilize o acelerador na posição mais baixa possível para evitar ruídos e poeira desnecessários.
- Mantenha o bocal do soprador próximo do solo.

Nota: A Husqvarna recomenda a utilização do bocal do soprador na sua extensão máxima.

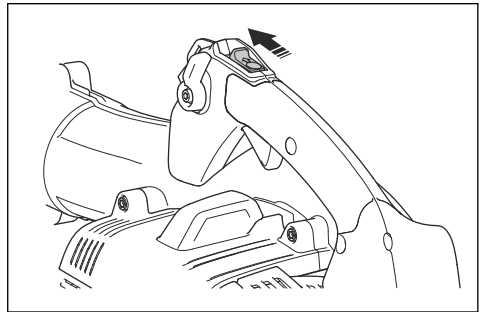
- Tome nota da direção do vento e utilize o produto nessa direção.
- Utilize ferramentas de jardim aplicáveis para libertar o material do solo.
- Em áreas com pó, utilize equipamento de pulverização para humedecer a área. Tal diminui o tempo de funcionamento.
- Após a utilização, armazene o produto na vertical.

Parar o motor



CUIDADO: Não pare o produto quando este estiver na velocidade máxima.

- Coloque o interruptor start/stop na posição de paragem.



Manutenção

Introdução

antes de realizar tarefas de manutenção no produto.



ATENÇÃO: Certifique-se de que leu e compreendeu o capítulo sobre segurança

Esquema de manutenção

Manutenção	Diariamente	Semanalmente	Mensalmente
Limpe as superfícies externas.	X		
Certifique-se de que o controlo do acelerador funciona corretamente.	X		
Certifique-se de que o interruptor start/stop funciona corretamente. Consulte <i>Verificar o interruptor de arranque/paragem na página 281.</i>	X		
Examine o motor, o depósito de combustível e os tubos de combustível quanto a fugas. Verifique a existência de contaminação no filtro de combustível. Se necessário, substitua o filtro de combustível.	X		
Limpe o filtro de ar. Substitua o filtro de ar, se necessário.	X		
Aperte as porcas e os parafusos.	X		
Examine a admissão de ar e certifique-se de que não está bloqueada.	X		
Verifique o dispositivo de arranque e a corda de arranque quanto a danos.		X	
Examine as unidades antivibração quanto à existência de danos, fissuras e deformações. Certifique-se de que as unidades antivibração se encontram corretamente instaladas.		X	
Examine a vela de ignição. Consulte <i>Verificar a vela de ignição na página 285.</i>		X	
Limpe o sistema de arrefecimento.		X	
Limpe a superfície exterior do carburador e a área circundante.		X	
Limpe o depósito de combustível.			X
Examine todos os cabos e ligações.			X
Examine e limpe a rede retentora de faíscas do silenciador (para produtos sem catalisador).		X	
Examine e limpe a rede retentora de faíscas do silenciador (para produtos com catalisador).			X
Substitua a vela de ignição. Certifique-se de que está fixo com um supressor.			X

Ajustar o ralenti

1. Certifique-se de que o filtro de ar está limpo e de que a cobertura do filtro de ar está instalada.
2. Ajuste o ralenti com o parafuso do ralenti. Para ver onde se encontra o parafuso do ralenti no seu produto, consulte *Vista geral do produto na página 278.*

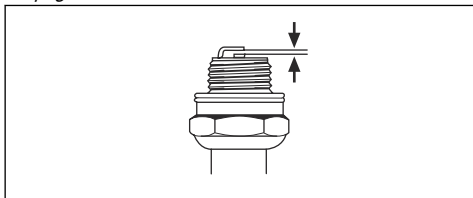
Verificar a vela de ignição



CUIDADO: Utilize a vela de ignição recomendada. Consulte *Verificar a vela de ignição na página 285.* Uma vela de ignição incorreta pode causar danos ao produto.

1. Desligue o motor e deixe o produto arrefecer.

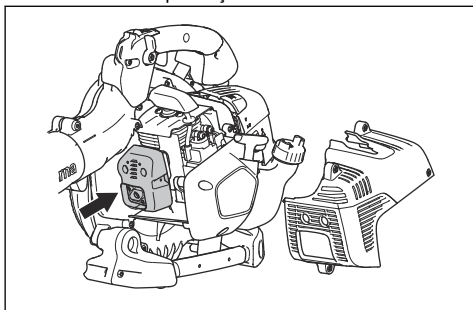
2. Limpe a vela de ignição se estiver suja.
3. Certifique-se de que a distância entre os eletrodos está correta. Consulte *Especificações técnicas na página 289*.



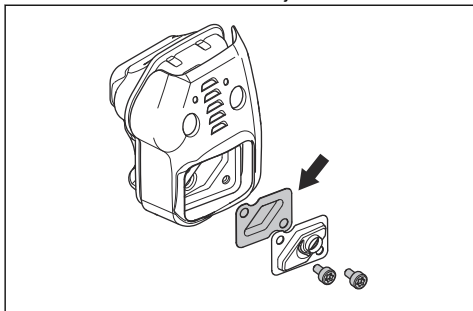
4. Substitua a vela de ignição uma vez por mês ou mais frequentemente se necessário.

Efetuar a manutenção do silenciador

1. Desligue o motor e deixe arrefecer o silenciador. Utilize luvas de protecção.



2. Retire a cobertura do silenciador.
3. Efetue uma inspeção visual. Substitua a rede retentora de faíscas caso esteja danificada.



Examinar e limpar o sistema de arrefecimento

O sistema de arrefecimento inclui as aletas de arrefecimento no cilindro e na grelha de admissão de ar.

1. Desligue o motor.
2. Certifique-se de que o sistema de arrefecimento não está sujo ou obstruído. Se necessário, limpe a grelha de admissão de ar e as aletas de arrefecimento.



CUIDADO: Se o sistema de arrefecimento estiver sujo ou obstruído, a temperatura do motor pode aumentar, causando danos no produto. Se a grelha de admissão de ar estiver obstruída, a força de sopro diminui.

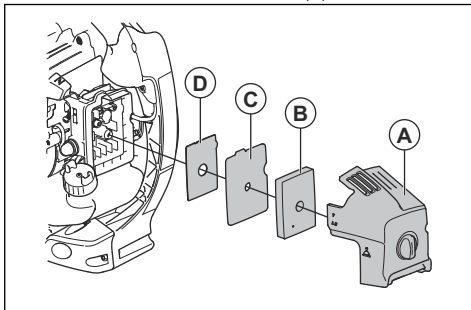
3. Verifique o sistema de arrefecimento quanto à existência de danos. Certifique-se de que as peças estão corretamente instaladas no produto.

Para limpar o filtro de ar



CUIDADO: Não utilize o produto sem um filtro de ar montado ou com um filtro de ar danificado. A poeira no ar pode causar danos no motor.

1. Empurre o controlo do estrangulador para a posição de estrangulação fechada.
2. Retire a cobertura do filtro de ar (A).



3. Retire o filtro de ar (B) da estrutura do filtro.
4. Limpe o filtro de ar (B) com água morna e sabão.

Nota: Um filtro de ar que tenha sido utilizado durante muito tempo não pode ser limpo totalmente. Substitua o filtro de ar regularmente e substitua sempre um filtro de ar com defeito.

5. Limpe a superfície interna da cobertura do filtro de ar (A) com uma escova.
6. Retire e substitua o filtro de feltro (C) se este estiver sujo.
7. Instale o filtro (D), o filtro de feltro (C) e o filtro de ar (B).
8. Instale a cobertura do filtro de ar (A) no produto.

Resolução de problemas

Não é possível ligar o motor		
Verificar	Causa possível	Solução
Botão Stop.	Posição de paragem	Leve o contacto de paragem à posição de arranque.
Prendedor(es) do dispositivo de arranque.	Prendedor(es) do dispositivo de arranque bloqueado(s) ou gasto(s).	Ajuste ou substitua o(s) prendedor(es) do dispositivo de arranque.
		Limpe a área em redor do(s) prendedor(es) do dispositivo de arranque.
		Contacte um revendedor com assistência técnica aprovada.
Depósito de combustível.	Tipo de combustível errado.	Drene o depósito de combustível e utilize o combustível correto.
Carburador.	Ajuste do ralenti.	Ajuste o ralenti com o parafuso de ajuste do ralenti.
Faisca (ausência de faísca).	Vela de ignição suja ou molhada.	Certifique-se de que a vela de ignição está seca e limpa.
	A distância entre os eléctrodos na vela de ignição está incorreta.	Limpe a vela de ignição. Certifique-se de que a distância entre os eléctrodos está correta. Certifique-se de que a vela de ignição está instalada com um supressor.
		Consulte as especificações técnicas para obter a distância correta entre os eléctrodos.
Vela de ignição.	A vela de ignição está solta.	Aperte a vela de ignição.
	Existem materiais indesejados nos eléctrodos da vela de ignição.	Certifique-se de que a mistura de combustível está correta.
		Certifique-se de que o filtro de ar está limpo.

O motor arranca mas para novamente		
Verificação	Causa possível	Solução
Depósito de combustível.	Tipo de combustível errado.	Purgue-o e utilize o combustível correto.
Carburador.	O motor não funciona correctamente ao ralenti.	Contacte o seu revendedor com assistência técnica.
Filtro de ar.	Filtro de ar entupido.	Limpe o filtro de ar.

Transporte e armazenamento



ATENÇÃO: Para evitar o risco de incêndio, certifique-se de que não existem fugas nem vapores de combustível durante o transporte ou armazenamento. Certifique-se de que não existe risco de faíscas ou incêndio.

- Esvazie o depósito de combustível antes do transporte ou de armazenamento a longo prazo. Empurre a ampola de purga de ar para se certificar de que todo o combustível é retirado. Elimine o combustível numa localização de eliminação aplicável.
- Certifique-se de que o produto está limpo e de que é realizada uma manutenção completa antes de o armazenar por um período de tempo prolongado.
- Retire a vela de ignição e coloque aproximadamente 15 ml de óleo para motores de dois tempos no cilindro. Rode o produto 3 vezes e volte a instalar a vela de ignição.
- Fixe o produto ao veículo em segurança durante o transporte.
- Coloque o produto num local seco, fresco e limpo que tenha um fluxo de ar adequado. Mantenha o produto afastado de crianças.

Especificações técnicas

Especificações técnicas

	Husqvarna 525BX
Motor	
Cilindrada, cm ³	25,4
Velocidade ao ralenti, rpm	3000
Conversor catalítico	Sim
Sistema de ignição	
Vela de ignição	NGK BPMR8Y
Distância entre os eletrodos, mm	0,6-0,7
Sistema de lubrificação e combustível	
Capacidade do depósito de combustível, l / cm ³	0,45 / 450
Peso	
Peso sem combustível, kg	4,4
Emissões de ruído⁶¹	
Nível de potência sonora, dB(A) medidos	104
Nível de potência sonora, garantido L _{WA} dB (A)	106
Níveis acústicos⁶²	
Nível de pressão sonora equivalente, ao nível do ouvido do utilizador, medido de acordo com a norma EN15503, dB (A):	
Equipado com bocal arredondado	91
Equipado com bocal plano	92
Níveis de vibração⁶³	
Níveis de vibração equivalentes (a _{nv,eq}) nos punhos, medidos de acordo com a norma EN 15503, m/s ²	
Equipado com bocal arredondado	1,2
Equipado com bocal plano	2,0
Rendimento do ventilador	
Velocidade máx. do ar com bocal arredondado, m/s	70

⁶¹ Emissões de ruído para as imediações, medidas sob forma de potência sonora (L_{WA}) em conformidade com a diretiva da CE 2000/14/CE. O nível de potência sonora registado para a máquina foi medido com o bocal do soprador original que debita o nível mais alto. A diferença entre a potência sonora garantida e medida é que a potência sonora garantida inclui também a dispersão no resultado da medição e as variações entre diferentes máquinas do mesmo modelo, de acordo com a diretiva 2000/14/CE.

⁶² Os dados comunicados relativamente ao nível de pressão de ruído têm uma dispersão estatística típica (desvio padrão) de 1,0 dB (A).

⁶³ Os dados comunicados relativamente ao nível de vibração têm uma dispersão estatística típica (desvio padrão) de 1,0 m/s².

	Husqvarna 525BX
Velocidade máx. do ar com bocal plano, m/s	86
Fluxo de ar com bocal arredondado, m ³ /min	13
Fluxo de ar com bocal plano, m ³ /min	10

Declaração CE de conformidade

Declaração CE de conformidade

Husqvarna AB, SE-561 82 Huskvarna, Suécia, tel: +46-36-146500, declara que o soprador **Husqvarna 525BX** com número de série de 2016 e posteriores (o ano é claramente indicado na etiqueta de tipo, seguido do número de série), cumpre as disposições constantes na DIRETIVA DO CONSELHO:

- de 17 de maio de 2006, "referente a máquinas" **2006/42/CE**.
- de 26 de fevereiro de 2014, "referente à compatibilidade eletromagnética", **2014/30/UE**.
- de 8 de maio de 2000, "referente a emissões de ruído para o ambiente" **2000/14/CE**. Avaliação de conformidade efetuada de acordo com as disposições do Anexo V. Para informações referentes às emissões sonoras, consulte *Especificações técnicas na página 289*.
- de 8 de junho de 2011 "relativa à restrição do uso de determinadas substâncias perigosas em equipamento elétrico e eletrônico" **2011/65/UE**.

Foram respeitadas as seguintes normas:

EN ISO 12100-2/A1:2009, CISPR 12:2009, EN 15503:2009/A2:2015, EN 50581:2012

A RISE SMP Svensk Maskinprovning AB, realizou o exame de tipo voluntário em nome da Husqvarna AB. O certificado tem o número: **SEC/14/2423** - 525BX

Huskvarna, 2020-01-01



Per Gustafsson, Chefe de Desenvolvimento
(representante autorizado da Husqvarna AB e responsável pela documentação técnica)

CUPRINS

Introducere.....	292	Depanarea.....	301
Siguranță.....	293	Transportul și depozitarea.....	302
Asamblarea.....	296	Date tehnice.....	303
Funcționarea.....	296	Declarație de conformitate CE.....	305
Întreținerea.....	298		

Introducere

Descrierea produsului

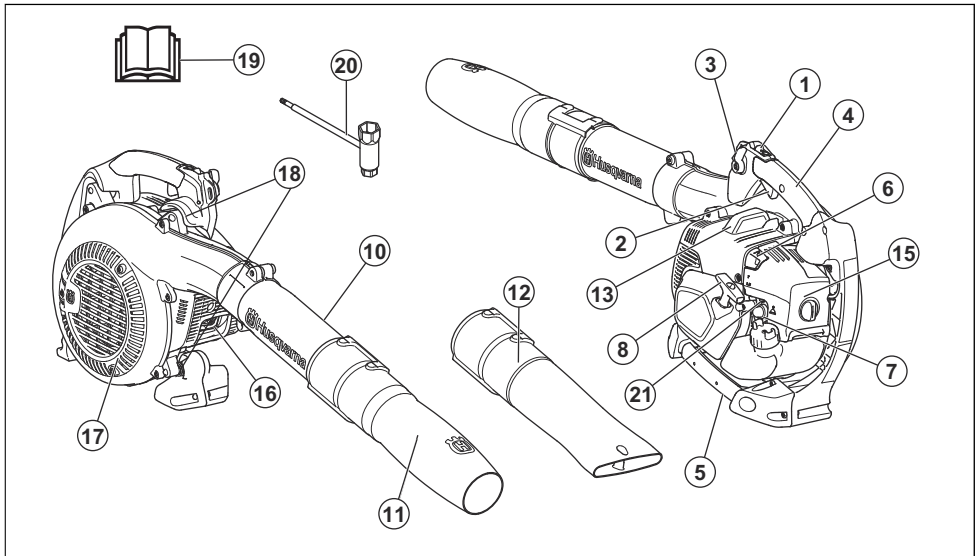
Acest produs este o suflantă cu motor cu combustibil.

Avem o politică de îmbunătățire continuă a produselor și, prin urmare, ne rezervăm dreptul de a modifica proiectul și aspectul produselor fără preaviz.

Domeniul de utilizare

Utilizați produsul pentru a sufla frunze și alte materiale nedorite din zone precum gazoane, alei și drumuri asfaltate.

Prezentarea generală a produsului



1. Comutator pornit/oprit
2. Pârghie accelerație
3. Control accelerație
4. Mânerul de control
5. Mâner
6. Acționare șoc
7. Buton de amorsare
8. Mâner pentru șnurul de pornire
9. Șurub clemă
10. Țeavă intermediară
11. Duză rotundă
12. Duză plată
13. Bujie
14. Bușon rezervor de carburant
15. Filtru de aer
16. Amortizor de zgomot
17. Filtru pentru priză de aer
18. Sistem amortizare vibrații
19. Manualul operatorului
20. Cheie combinată
21. Șurubul de turație de mers în gol

Simbolurile de pe produs



AVERTISMENT! Acest produs poate fi periculos și poate cauza vătămări corporale grave sau decesul operatorului sau al altor persoane. Acționați cu grijă și utilizați corect produsul.



Citiți cu atenție manualul operatorului și asigurați-vă că înțelegeți instrucțiunile înainte de utilizare.



Utilizați protecția de auz și ochelarii de protecție aprobați. Dacă mediul conține praf, folosiți o mască respiratorie.



Utilizați mănuși de protecție omologate.



Acest produs respectă directivele CE aplicabile.



Amestec de benzină și ulei pentru motoare în doi timpi.



Buton purjor.



Clapetă de șoc, poziție deschisă.



Clapetă de șoc, poziție închisă.



Emissiile de zgomot în mediu, conform Directivei Europene 2000/14/CE și a Regulamentului New South Wales din 2017 privind operațiunile de protecție a mediului

(controlul zgomotului). Datele privind emisiile de zgomot pot fi găsite pe eticheta utilajului și la capitolul Date tehnice.



Fiți atenți la obiectele proiectate. Obiectele proiectate pot provoca vătămări corporale grave. Utilizați echipamentul de protecție personală.



Păstrați o distanță de siguranță de minimum 15 m de persoane și animale.

Plăcuța de identificare afișează seria. **aaaa** este anul de producție și **ss** este săptămâna de producție.

aaaaassxxxx

Nota: Alte simboluri/autocolante de pe produs se referă la cerințele de certificare pentru alte zone comerciale.

Emissiile de Euro V



AVERTISMENT: În urma modificării neautorizate a motorului, este anulată aprobarea de tip UE pentru acest produs.

Răspunderea pentru produs

Conform prevederilor legislației privind răspunderea pentru produs, nu ne asumăm răspunderea pentru daunele cauzate de produsul nostru dacă:

- produsul este reparat necorespunzător;
- produsul este reparat cu piese care nu provin de la producător sau care nu sunt aprobate de acesta;
- produsul are un accesoriu care nu provine de la producător sau care nu este aprobat de acesta;
- produsul nu este reparat la un centru de service omologat sau de o autoritate omologată;

Siguranță

Definiții privind siguranța

Definițiile de mai jos indică nivelul de gravitate pentru fiecare cuvânt de semnalizare.



AVERTISMENT: Vătămări corporale.



ATENȚIE: Deteriorarea produsului.

Nota: Aceste informații facilitează utilizarea produsului.

Instrucțiuni generale de siguranță



AVERTISMENT: Înainte de a utiliza produsul, citiți instrucțiunile de avertizare de mai jos.

- Nu efectuați modificări la produs fără aprobarea producătorului și utilizați întotdeauna accesorii originale. Modificările și/sau accesoriile care nu sunt aprobate pot duce la vătămări corporale grave sau la decesul operatorului sau al altor persoane.
- Nu utilizați un produs deteriorat. Efectuați inspecțiile de siguranță și operațiile de întreținere indicate în acest manual al operatorului. Toate celelalte lucrări de întreținere trebuie efectuate de către personal de service aprobat.
- Toate lucrările de service și reparații trebuie efectuate de personal de service aprobat. Dacă o componentă a produsului este defectă, adresați-vă reprezentantului dvs. de service.

Instrucțiuni de siguranță pentru utilizare



AVERTISMENT: Înainte de a utiliza produsul, citiți instrucțiunile de avertizare de mai jos.

- Acest produs poate fi periculos și poate cauza vătămări corporale grave sau decesul operatorului sau al altor persoane. Acționați cu grijă și utilizați corect produsul.
- Efectuați o inspecție a produsului înainte de utilizare. Consultați *Întreținerea la pagina 298*.
- Nu utilizați produsul atunci când sunteți obosit, bolnav sau dacă ați consumat alcool sau droguri care vă pot afecta capacitatea vizuală, capacitatea de a gândi rațional sau coordonarea.
- Instalați toate capacele și apărătoarele înainte de utilizare. Pentru prevenirea șocurilor electrice, asigurați-vă că de integritatea capacului bujei și a cablului de alimentare a aprinderii.
- Nu atingeți bujia sau cablul de alimentare a aprinderii în timp ce motorul este în funcțiune.
- Păstrați o distanță de siguranță de minimum 15 m de persoane și animale. Dacă persoanele sau animalele se apropie la mai puțin de 15 m de produs, opriți-l. Orientați produsul în direcție opusă persoanelor, animalelor, ferestrelor deschise și altor obiecte.
- Nu permiteți copiilor să utilizeze produsul. Asigurați-vă că toți operatorii citesc și înțeleg conținutul acestui manual de utilizare.
- Țineți mâinile și alte obiecte la distanță de suflantă în timpul funcționării. Piesele rotative pot provoca vătămări corporale grave.
- Nu utilizați produsul dacă filtrul pentru priza de aer nu este instalat. Înainte de utilizare, asigurați-vă întotdeauna că filtrul pentru priza de aer este instalat și nu prezintă deteriorări.

- În caz de urgență, eliberați cureaua pentru mijloc și cureaua pentru piept ale hamului și lăsați produsul să cadă.
- Respectați reglementările și directivele naționale.
- Nu apropiați părțile corpului de suprafețele fierbinți.
- Vibrațiile excesive pot afecta sistemul circulator sau nervos. Discutați cu medicul dacă aveți simptome, de exemplu, amorțeală, pierderea sensibilității tactile, furnicături, înțepături, durere, pierderea forței sau modificări ale culorii pielii la degete, mâini sau încheieturi.
- Fiți atent la obiectele proiectate. Obiectele proiectate pot provoca vătămări corporale grave.
- Nu utilizați produsul în condiții de vreme nefavorabilă, precum ceață, ploaie, vânt puternic sau frig intens. Activitatea în condiții dificile poate conduce la oboseală și poate genera situații periculoase.
- Asigurați-vă că vă puteți deplasa și că vă puteți menține într-o poziție stabilă. Efectuați o verificare a suprafeței de lucru pentru a detecta posibile obstacole, de ex., stânci. Procedați cu atenție atunci când utilizați produsul în pantă.
- Nu așezați produsul pe sol când motorul este pornit.
- Nu operați produsul din poziții înalte, de ex., de pe o scară.
- Asigurați-vă că puteți fi întotdeauna auzit în cazul producerii unui accident.
- Asigurați-vă că orificiul de evacuare a gazelor de eșapament nu este blocat. Pentru a preveni deteriorarea produsului, obstacolele trebuie să se afle la o distanță de minimum 50 cm de orificiul de evacuare a gazelor de eșapament.
- Nu porniți produsul în interior, în condiții de flux de aer insuficient sau în apropierea unor materiale inflamabile. Gazele de eșapament conțin monoxid de carbon, care poate duce la intoxicație cu monoxid de carbon. Gazele de eșapament sunt fierbinți și pot conține scântei care pot declanșa incendii.

Echipment de protecție personală



AVERTISMENT: Înainte de a utiliza produsul, citiți instrucțiunile de avertizare de mai jos.

- Utilizați echipamente omologate de protecție personală atunci când folosiți produsul. Echipamentele de protecție personală nu pot elimina complet riscul de vătămare, însă pot reduce gravitatea vătămarilor. Adresați-vă distribuitorului pentru informații suplimentare.
- Utilizați un sistem omologat de protecție a auzului. Expunerea pe termen lung la zgomot poate avea ca rezultat deteriorarea ireversibilă a auzului.
- Utilizați ochelari de protecție omologați. Dacă utilizați un vizor de protecție, trebuie să purtați și ochelari de protecție. Ochelarii de protecție trebuie să fie conformi cu standardul ANSI Z87.1 în S.U.A. sau EN 166 în țările din UE.

- Utilizați mănuși de protecție în timpul operării și întreținerii.
- Utilizați cizme sau pantofi de protecție cu tălpi anti-alunecare.
- Utilizați îmbrăcăminte lungă, dintr-un material rezistent. Nu utilizați bijuterii sau pantofi decupați. Pentru a reduce riscul de vătămare corporală, hainele trebuie să fie strânse pe corp, dar să nu vă limiteze mișcările. Strângeți părul deasupra umerilor, pentru a preveni pătrunderea acestuia în piesele în mișcare sau prinderea în ramuri.
- Utilizați protecție respiratorie când există pericolul de generare a prafului.
- Păstrați echipamentul de prim ajutor în apropiere.

Dispozitivele de siguranță de pe produs



AVERTISMENT: Înainte de a utiliza produsul, citiți instrucțiunile de avertizare de mai jos.

- Nu utilizați un produs cu dispozitive de siguranță deteriorate.
- Verificați regulat dispozitivele de siguranță. Consultați *Întreținerea la pagina 298*.
- Dacă dispozitivele de siguranță sunt defecte, adresați-vă reprezentantului de service Husqvarna.

Verificarea amortizorului de zgomot



AVERTISMENT: Nu utilizați un produs cu amortizor de zgomot deteriorat.



AVERTISMENT: Amortizorul de zgomot devine foarte fierbinte în timpul utilizării și după utilizare, precum și la turație de mers la ralanti. Utilizați mănuși de protecție pentru a preveni vătămările prin arsuri.



AVERTISMENT: Partea interioară a amortizorului de zgomot conține substanțe chimice care pot fi cancerigene. Nu atingeți amortizorul de zgomot dacă este deteriorat.

- Inspectați vizual periodic amortizorul de zgomot. Amortizorul de zgomot este proiectat pentru a reduce la minimum nivelul de zgomot și a dirija gazele de eșapament departe de utilizator. Consultați *Întreținerea amortizorului de zgomot la pagina 300*.

Pentru a verifica sistemul de amortizare a vibrațiilor

1. Asigurați-vă că nu există crăpături sau deformări pe unitățile de amortizare a vibrațiilor.
2. Asigurați-vă că unitățile de amortizare a vibrațiilor sunt atașate corect de motor și mâner.

Consultați *Prezentarea generală a produsului la pagina 292* pentru informații despre locul în care sistemul de amortizare a vibrațiilor se află pe produsul dvs.

Verificarea comutatorului de pornire/oprire

1. Utilizați comutatorul de pornire/oprire pentru a opri motorul.
2. Asigurați-vă că motorul s-a oprit complet.

Pentru a vedea unde se află comutatorul de pornire/oprire pe produsul dvs., consultați *Prezentarea generală a produsului la pagina 292*.

Reguli de siguranță referitoare la carburant



AVERTISMENT: Înainte de a utiliza produsul, citiți instrucțiunile de avertizare de mai jos.

- Nu amestecați și nu adăugați carburant în interior sau lângă o sursă de încălzire.
- Nu porniți produsul dacă vărsați combustibil sau ulei pe produs sau pe corp.
- Nu porniți produsul dacă motorul prezintă scurgeri de combustibil. Examinați cu regularitate motorul, pentru a identifica eventuale scurgeri de combustibil.
- Manipulați întotdeauna cu atenție combustibilul. Combustibilul este inflamabil, iar vaporii de combustibil sunt explozivi și pot cauza vătămări corporale grave sau deces.
- Nu respirați vaporii de carburant, se pot produce vătămări corporale. Asigurați-vă că fluxul de aer este suficient.
- Nu fumați în apropierea carburantului sau a motorului.
- Nu poziționați produsul sau rezervorul de carburant în apropierea unor obiecte calde, a unei flăcări deschise, a scânteilor sau a unei lumini pilot.
- Utilizați întotdeauna recipiente omologate pentru depozitarea și transportarea combustibilului.

Instrucțiuni de siguranță pentru întreținere



AVERTISMENT: Înainte de a utiliza produsul, citiți instrucțiunile de avertizare de mai jos.

- Opriți motorul, demontați bujia și lăsați motorul să se răcească înainte de întreținere și asamblare.
- O sită parascânteii blocată determină încălzirea excesivă a motorului, ceea ce cauzează deteriorarea motorului.
- Dacă sita parascânteii se înfundă frecvent, acesta poate fi un semn că performanța convertorului catalitic este afectată. Contactați atelierul de service pentru a examina amortizorul de zgomot.

Asamblarea

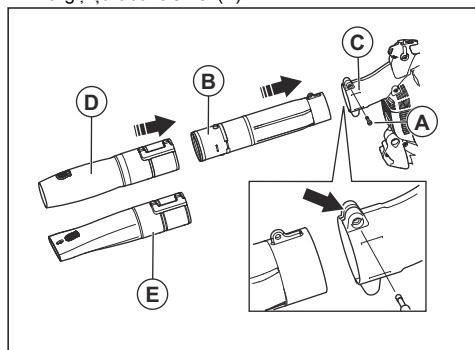
Introducere



AVERTISMENT: Citiți și înțelegeți capitoul referitor la siguranță înainte de asamblarea produsului.

Pentru asamblarea țevii suflantei

1. Lărgiți șurubul clemei (A).



2. Montați țeava intermediară (B) pe țeava suflantei (C).
3. Montați și strângeți șurubul clemei (A).
4. Montați duza rotundă (D) sau duza plată (E) pe țeava intermediară.

Funcționarea

Introducere



AVERTISMENT: Citiți și înțelegeți capitoul referitor la siguranță înainte de utilizarea produsului.

Carburant

Acest produs dispune de motor în doi timpi.



ATENȚIE: Tipul incorect de carburant poate deteriora motorul. Utilizați un amestec de benzină și de ulei pentru motoare în doi timpi.

Carburant preamestecat

- Utilizați carburantul alchilat preamestecat Husqvarna pentru cele mai bune performanțe și prelungirea duratei de viață a motorului. Acest carburant conține substanțe chimice mai puțin nocive în comparație cu carburantul obișnuit, ceea ce reduce nivelul gazelor de eșapament nocive. Cantitatea de resturi după ardere este mai mică în cazul acestui carburant, care păstrează componentele motorului mai curate.

Pentru amestecarea carburantului

Benzină

- Utilizați benzină fără plumb de calitate cu un conținut maxim de 10% etanol.



ATENȚIE: Nu utilizați benzină cu o cifră octanică mai mică de 90 RON/87 AKI. Utilizarea unui carburant cu o cifră octanică inferioară poate provoca bătăi la motor, ceea ce duce la defectarea motorului.

Ulei pentru motoare în doi timpi

- Pentru cele mai bune rezultate și performanțe, utilizați uleiul pentru motoare în doi timpi Husqvarna.
- Dacă uleiul Husqvarna pentru motoare în doi timpi nu este disponibil, utilizați un ulei pentru motoare în doi timpi de bună calitate pentru motoare răcite cu aer. Adresați-vă reprezentantului dvs. de service pentru a alege uleiul corect.



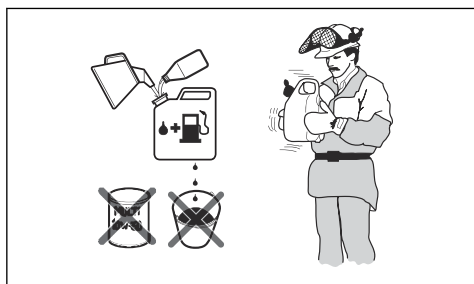
ATENȚIE: Nu utilizați ulei pentru motoare în doi timpi răcit pentru motoarele externe răcite cu apă, numit și ulei pentru motoare externe. Nu folosiți ulei pentru motoare în patru timpi.

Amestecarea benzinei cu ulei pentru motoare în doi timpi

Benzină, litru	Ulei pentru motoare în doi timpi, litru
	2% (50:1)
5	0,10
10	0,20
15	0,30
20	0,40



ATENȚIE: Micile erori pot să influențeze drastic raportul amestecului atunci când amestecați cantități mici de carburant. Măsurați cu grijă cantitatea de ulei și asigurați-vă că obțineți amestecul corect.



1. Umpleți jumătate din cantitatea de benzină într-un recipient curat pentru combustibil.
2. Adăugați cantitatea completă de ulei.
3. Agitați amestecul.
4. Adăugați în recipient cantitatea de benzină rămasă.
5. Agitați cu grijă amestecul.



ATENȚIE: Nu amestecați carburantul pentru mai mult de 1 lună la un moment dat.

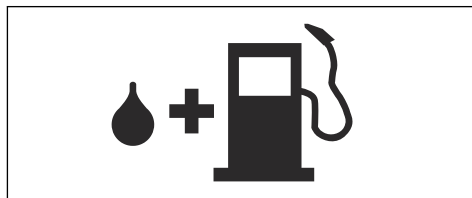
Umplerea rezervorului de carburant



AVERTISMENT: Respectați procedura următoare pentru propria siguranță.

1. Oprii motorul și lăsați motorul să se răcească.

2. Curățați suprafața din jurul capacului rezervorului de carburant.



3. Agitați recipientul și asigurați-vă că amestecarea carburantului s-a efectuat corespunzător.
4. Scoateți încet capacul rezervorului de carburant, pentru a elibera presiunea.
5. Umpleți rezervorul de carburant.



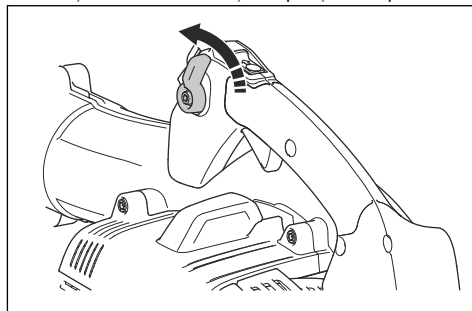
ATENȚIE: Verificați să nu existe prea mult carburant în rezervorul de carburant. Carburantul se dilată atunci când se încălzește.

6. Strângeți cu atenție capacul rezervorului de carburant.
7. Curățați excesul de carburant de pe produs și din jurul acestuia.
8. Îndepărtați produsul la cel puțin 3 m/10 ft de zona de realimentare și de sursa de carburant înainte de a porni motorul.

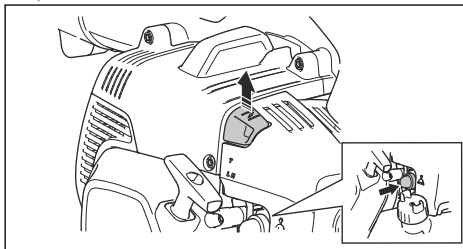
Nota: Pentru a vedea unde se află rezervorul de carburant pe produsul dvs., consultați *Introducere la pagina 292*.

Pornirea produsului

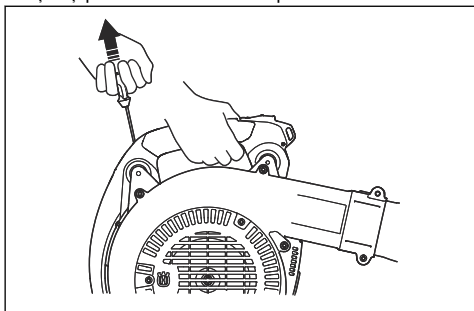
1. Setati controlul accelerației în poziția de repaus.



2. Dacă motorul este rece, împingeți dispozitivul de acționare a șocului în poziția închisă a clapetei de șoc.



3. Apăsăți în mod repetat balonul purjorului până când combustibilul începe să umple balonul purjorului. Nu este necesar să umpleți complet butonul purjorului.
4. Poziționați produsul pe o suprafață plană pe sol.
5. Țineți produsul cu mâna dreaptă.



ATENȚIE: Nu utilizați picioarele pentru a susține produsul.

6. Trageți încet de mânerul șnurului de pornire până când simțiți rezistență.
7. Trageți repede de mânerul șnurului de pornire cu mâna stângă. Trageți în mod repetat de mânerul șnurului de pornire până când motorul pornește.

Nota: Nu trageți complet mânerul șnurului de pornire și nu-i dați drumul.

8. Dacă motorul este rece, setați acționarea șocului la poziția deschisă.
9. Dacă motorul este rece, lăsați-l să funcționeze timp de 2-3 minute, pentru a se încălzi înainte de utilizare.



AVERTISMENT: Se eliberează aer la pornirea motorului și când produsul este setat la turație de mers la ralanti. Nu permiteți nimănui să se apropie de produs sau de țeava suflantei.

Utilizarea produsului

- Operați produsul în limitele orelor normale de program. Respectați reglementările locale.
- Reduceți numărul de echipamente și selectați turația adecvată pentru sarcina dvs. Utilizați accelerația în poziția cea mai coborâtă posibil pentru a preveni excesul de zgomot și de praf.
- Mențineți duza suflantei în apropierea solului.

Nota: Husqvarna recomandă utilizarea extensiei complete a duzei de suflantă.

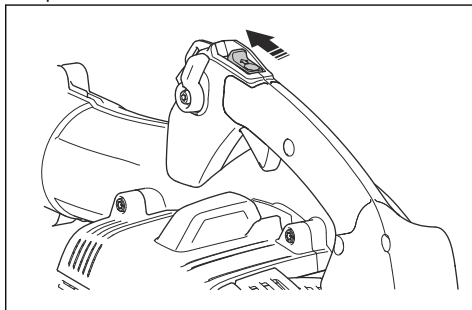
- Observați direcția vântului și operați produsul în direcția acestuia.
- Utilizați unelte de grădinarit adecvate pentru deblocarea materialelor din sol.
- În zonele cu praf, utilizați echipament de pulverizare pentru a umezi zona. Aceasta reduce durata de funcționare.
- După utilizare, depozitați produsul în poziție verticală.

Oprirea motorului



ATENȚIE: Nu opriți produsul la viteză maximă.

- Muțați comutatorul de pornire/oprire în poziția de oprire.



Întreținerea

Introducere



AVERTISMENT: Citiți și înțelegeți capitoul privind siguranța înainte de a efectua operații de întreținere asupra produsului.

Program de Întreținere

Întreținerea	Zilnic	Săptămănal	Lunar
Curățați suprafețele exterioare.	X		
Asigurați-vă că controlul accelerației funcționează corect.	X		
Asigurați-vă că comutatorul de pornire/oprire funcționează corect. Consultați <i>Verificarea comutatorului de pornire/oprire la pagina 295.</i>	X		
Verificați etanșeitatea motorului, a rezervorului de carburant și a conductelor de carburant. Verificați dacă există contaminare pe filtrul de carburant. Înlocuiți filtrul de carburant dacă este necesar.	X		
Curățați filtrul de aer. Înlocuiți filtrul de aer dacă este necesar.	X		
Strângeți șuruburile și piulițele.	X		
Examinați priza de aer pentru a vă asigura că nu este blocată.	X		
Verificați demarorul și firul acestuia, pentru a vedea dacă nu prezintă deteriorări.		X	
Examinați unitățile de amortizare a vibrațiilor, pentru a identifica dacă există deteriorări, fisuri și deformări. Asigurați-vă că unitățile de amortizare a vibrațiilor sunt instalate corect.		X	
Verificați bujia. Consultați <i>Verificarea bujiei la pagina 299.</i>		X	
Curățați sistemul de răcire.		X	
Curățați suprafața exterioară a carburatorului și zona din jurul acesteia.		X	
Curățați rezervorul de carburant.			X
Verificați toate cablurile și conexiunile.			X
Examinați și curățați sита parascânteie de pe amortizorul de zgomot (pentru produse fără convertor catalitic).		X	
Examinați și curățați sита parascânteie de pe amortizorul de zgomot (pentru produse cu convertor catalitic).			X
Înlocuiți bujia. Verificați dacă este atașată cu rezistență supresoare.			X

Reglarea turației de mers în gol

- Asigurați-vă că filtrul de aer este curat și capacul filtrului de aer este montat.
- Reglați turația de mers la ralanti cu ajutorul șurubului de reglare a turației la mers la ralanti. Pentru a vedea unde se află șurubul de reglare a turației la mers la ralanti pe produsul dvs., consultați *Prezentarea generală a produsului la pagina 292.*

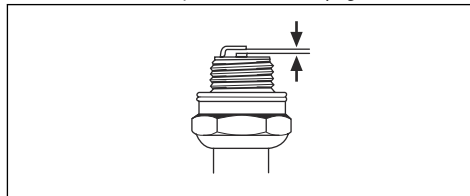
Verificarea bujiei



ATENȚIE: Utilizați o bujie recomandată. Consultați *Verificarea bujiei la pagina 299.* O bujie incorectă poate cauza deteriorarea produsului.

- Oprii motorul și lăsați produsul să se răcească.

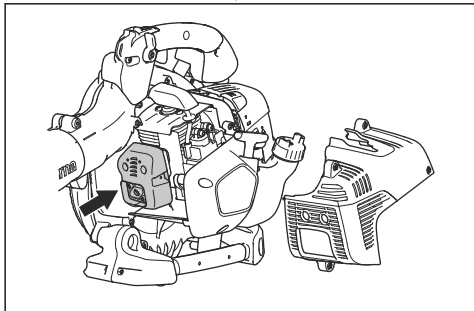
- Curățați bujia dacă este murdară.
- Asigurați-vă că apărătoarea electrozudului este corectă. Consultați *Date tehnice la pagina 303.*



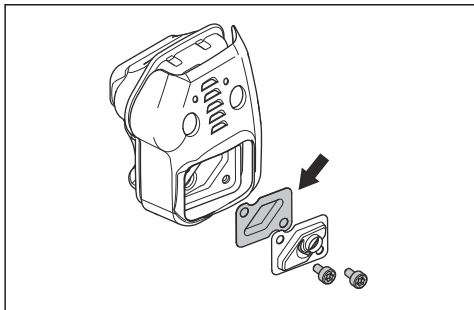
- Înlocuiți bujia lunar sau mai frecvent, dacă este necesar.

Întreținerea amortizorului de zgomot

1. Oprii motorul și lăsați amortizorul de zgomot să se răcească. Utilizați mănuși de protecție.



2. Scoateți capacul amortizorului de zgomot.
3. Verificați vizual. Înlocuiți sита parascânteii dacă este deteriorată.



Pentru a examina și curăța sistemul de răcire

Sistemul de răcire include lamelele de răcire de pe cilindru și de pe filtrul prizei de aer.

1. Oprii motorul.
2. Asigurați-vă că sistemul de răcire nu este murdar sau blocat. Dacă este necesar, curățați filtrul prizei de aer și lamelele de răcire.



ATENȚIE: Un sistem de răcire murdar sau blocat poate mări temperatura

motorului și poate cauza deteriorarea produsului. Un filtru înfundat al prizei de aer reduce forța de suflare.

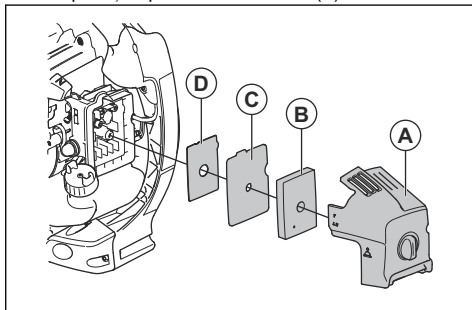
3. Examinați sistemul de răcire pentru a detecta eventualele deteriorări. Asigurați-vă că piesele sunt atașate corect pe produs.

Curățarea filtrului de aer



ATENȚIE: Nu utilizați produsul fără filtru de aer sau cu un filtru de aer deteriorat. Praful din aer poate cauza deteriorarea motorului.

1. Împingeți dispozitivul de acționare a șocului în poziția închis.
2. Îndepărtați capacul filtrului de aer (A).



3. Scoateți filtrul de aer (B) din carcasa filtrului.
4. Curățați filtrul de aer (B) cu apă caldă și săpun.

Nota: Un filtru de aer care a fost utilizat timp îndelungat nu poate fi curățat complet. Schimbați periodic filtrul de aer și înlocuiți întotdeauna un filtru de aer defect.

5. Curățați cu o perie suprafața interioară a capacului filtrului de aer (A).
6. Înlăturați și înlocuiți filtrul din păslă (C) dacă este murdar.
7. Montați sита (D), filtrul din păslă (C) și filtrul de aer (B).
8. Montați capacul filtrului de aer (A) pe produs.

Depanarea

Motorul nu pomește		
Verificați	Cauza posibilă	Soluție
Butonul de oprire.	Poziția Stop	Setați comutatorul de oprire în poziția de pornire.
Clichetul(ele) de pornire.	Clichete de pornire blocate sau uzate.	Reglați sau înlocuiți clichetele de pornire.
		Curățați zona din jurul clichetelor de pornire.
		Adresați-vă unui distribuitor de service autorizat.
Rezervor de combustibil.	Tip de combustibil incorect.	Goliți rezervorul de carburant și utilizați combustibilul corect.
Carburatorul.	Ajustarea turației de mers în gol.	Ajustați turația de mers în gol utilizând șurubul de reglare.
Scânteie (fără scânteie).	Bujia este murdară sau umeză.	Asigurați-vă că bujia este uscată și curată.
	Distanța dintre electrozi de pe bujie este incorectă.	Curățați bujia. Asigurați-vă că apărătoarea electrozului este corectă. Asigurați-vă că bujia este instalată cu un amortizor.
		Consultați fișa cu date tehnice pentru distanța corectă dintre electrozi.
Bujie.	Bujia este slăbită.	Strângeți bujia.
	Material nedorit prezent pe electrozii bujiei.	Asigurați-vă că amestecul este corect.
		Asigurați-vă că filtrul de aer este curat.

Motorul pomește, dar se oprește din nou		
Verificați	Cauza posibilă	Soluție
Rezervor de combustibil.	Tip de combustibil incorect.	Goliți-l și utilizați combustibilul corect.
Carburatorul.	Motorul nu funcționează corect la turația de mers la ralanti.	Adresați-vă reprezentantului de service.
Filtru de aer.	Filtru de aer înfundat.	Curățați filtrul de aer.

Transportul și depozitarea



AVERTISMENT: Pentru a preveni riscul de incendii, asigurați-vă că nu există scurgeri sau vapori în timpul transportului sau al depozitării. Asigurați-vă că nu există risc de scânteii sau de incendiu.

- Goliți rezervorul de combustibil înainte de a-l transporta sau depozita pe termen lung. Apăsați pe balonul purjorului pentru a vă asigura de eliminarea completă a combustibilului. Eliminați carburantul într-o locație de eliminare autorizată.
- Asigurați-vă că produsul este curat și că s-a efectuat o intervenție de service completă înainte de depozitarea pe termen lung.
- Scoateți bujia și introduceți aproximativ 15 ml de ulei pentru motoare în doi timpi în cilindru. Rotiți produsul de 3 ori și instalați din nou bujia.
- Fixați bine produsul de vehicul în timpul transportului.
- Păstrați produsul într-un spațiu uscat, curat și răcoros, cu un flux de aer adecvat. Nu lăsați produsul la îndemâna copiilor.

Date tehnice

Date tehnice

	Husqvarna 525BX
Motor	
Cilindree, cm ³	25,4
Turație de mers în gol, rot/min	3000
Convertor catalitic	Da
Sistem de aprindere	
Bujie	NGK BPMR8Y
Apărătoare electrod, mm	0,6-0,7
Carburant și sistem de ungere	
Capacitatea rezervorului de combustibil, l / cm ³	0,45 / 450
Greutate	
Greutate fără carburant, kg	4,4
Emisii de zgomot⁶⁴	
Nivel de putere acustică, măsurat în dB(A)	104
Nivel de putere acustică garantat L _{WA} dB (A)	106
Niveluri de zgomot⁶⁵	
Nivel echivalent de presiune a zgomotului la urechea operatorului, măsurat conform EN15503 dB(A):	
Echipată cu duză rotundă	91
Echipată cu duză plată	92
Niveluri de vibrații⁶⁶	
Nivelele echivalente de vibrații (a _{hV,eq}) la mână, măsurate în conformitate cu EN 15503, m/s ²	
Echipată cu duză rotundă	1,2
Echipată cu duză plată	2,0
Performanța ventilatorului	
Viteza maximă a aerului cu duza rotundă, în m/s	70
Viteza maximă a aerului cu duza plată, în m/s	86

⁶⁴ Emisiile de zgomot în mediu măsurate ca putere acustică (L_{WA}) în conformitate cu directiva CE 2000/14/CE. Nivelul de putere a sunetului raportat pentru aparat a fost măsurat cu accesoriul original duză de suflantă emite cel mai ridicat nivel. Diferența dintre puterea garantată a sunetului și cea măsurată este aceea că puterea garantată a sunetului include, de asemenea, dispersia în rezultatul de măsurare și variațiile dintre diferitele aparate ale aceluiași model conform Directivei 2000/14/CE.

⁶⁵ Datele raportate pentru presiunea nivelului de zgomot prezintă o distribuție statistică tipică (abatere standard) de 1,0 dB (A).

⁶⁶ Datele raportate pentru nivelul de vibrații prezintă o dispersie statistică tipică (abatere standard) de 1,0 m/s².

	Husqvarna 525BX
Debit de aer cu duză rotundă, m ³ /min	13
Debit de aer cu duză plată, m ³ /min	10

Declarație de conformitate CE

Declarație de conformitate CE

Husqvarna AB, SE-561 82 Huskvarna, Suedia, tel.: +46-36-146500, declară că suflanta **Husqvarna 525BX** cu seriile din 2016 și ulterioare (anul este specificat clar pe plăcuța de identificare, urmat de serie), respectă cerințele DIRECTIVEI CONSILIULUI:

- din 17 mai 2006 „referitoare la utilaje” **2006/42/CE**.
- din 26 februarie 2014 „referitoare la compatibilitatea electromagnetică” **2014/30/UE**.
- din 8 mai 2000 „referitoare la emisiile de zgomot în mediul înconjurător” **2000/14/CE**. Evaluare de conformitate conform Anexei V. Pentru informații privind emisiile de zgomot, consultați *Date tehnice la pagina 303*.
- din 8 iunie 2011 privind „restricțiile de utilizare a anumitor substanțe periculoase cu echipamente electrice și electronice” **2011/65/UE**.

Au fost aplicate următoarele standarde:

EN ISO 12100-2/A1:2009, CISPR 12:2009, EN 15503:2009/A2:2015, EN 50581:2012

RISE SMP Svensk Maskinprovning AB, a efectuat examinarea voluntară de tip în numele Husqvarna AB. Numărul prezentului certificat este: **SEC/14/2423** - 525BX

Huskvarna, 2020-01-01



Per Gustafsson, Director de Dezvoltare (Reprezentant autorizat pentru Husqvarna AB și responsabil cu documentația tehnică)

Содержание

Введение.....	306	Поиск и устранение неисправностей.....	315
Безопасность.....	308	Транспортировка и хранение.....	317
Сборка.....	310	Технические данные.....	318
Эксплуатация.....	311	Декларация соответствия ЕС.....	320
Техническое обслуживание.....	313		

Введение

Описание изделия

Данное изделие представляет собой воздуходувку с двигателем внутреннего сгорания.

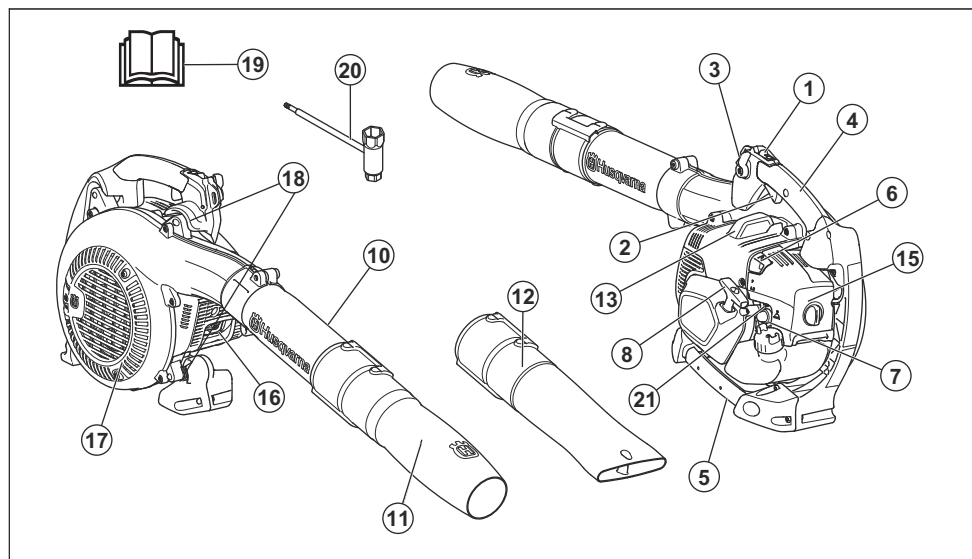
Мы постоянно работаем над усовершенствованием и развитием своей продукции и поэтому оставляем за собой право на внесение изменений в конструкцию и

внешний вид без предварительного предупреждения.

Назначение

Изделие используется для выдувания листьев и прочего мусора с таких участков и зон, как газоны, дорожки и асфальтированные дороги.

Обзор изделия



1. Переключатель запуска/остановки
2. Дроссельный регулятор
3. Ручка дросселя
4. Рукоятка управления
5. Рукоятка
6. Заслонка
7. Кнопка подкачивающего насоса
8. Ручка шнура стартера
9. Зажимной винт
10. Промежуточная труба

11. Круглая насадка
12. Плоская насадка
13. Свеча зажигания
14. Крышка топливного бака
15. Воздушный фильтр
16. Глушитель
17. Фильтр в воздуховоде
18. Система гашения вибраций
19. Руководство по эксплуатации
20. Комбинированный ключ

21. Винт регулировки частоты вращения холостого хода

Условные обозначения на изделии



ПРЕДУПРЕЖДЕНИЕ! Изделие может представлять опасность и стать причиной тяжелой травмы или смерти оператора или окружающих. Соблюдайте осторожность и правила эксплуатации изделия.



Перед началом работы внимательно прочитайте руководство по эксплуатации и убедитесь, что понимаете приведенные в нем инструкции.



Используйте одобренные средства защиты глаз и органов слуха. При работе в пыльных условиях используйте респиратор.



Используйте проверенные защитные перчатки.



Данное изделие отвечает требованиям соответствующих директив ЕС.



Смесь бензина и масла для двухтактных двигателей.



Груша нагнетателя.



Заслонка, открытое положение.



Заслонка, закрытое положение.



Эмиссия шума в окружающую среду согласно Директиве Европейского союза 2000/14/ЕС и законодательству Нового Южного Уэльса "Регламент 2017 года по защите окружающей среды (контроль уровня шума)". Данные об эмиссии шума приведены на паспортной табличке

агрегата и в разделе "Технические данные".



Берегитесь отбрасываемых предметов. Отбрасываемые предметы могут стать причиной серьезной травмы. Пользуйтесь средствами индивидуальной защиты.



Соблюдайте безопасное расстояние не менее 15 м до людей или животных.

yyuywwxxxx

На паспортной табличке указан серийный номер. **yyuy** означает год производства, **ww** — производственную неделю.

Примечание: Остальные символы/этикетки на изделии отвечают требованиям, предъявляемым к сертификации в других коммерческих зонах.

Соответствие уровня токсичных выбросов стандарту Euro V



ПРЕДУПРЕЖДЕНИЕ: В случае вмешательства в работу двигателя данное изделие перестанет соответствовать нормативам ЕС.

Ответственность изготовителя

В соответствии с законами об ответственности изготовителя мы не несем ответственности за ущерб, вызванный эксплуатацией нашего изделия в результате:

- ненадлежащего ремонта изделия;
- использования для ремонта изделия неоригинальных деталей или деталей, не одобренных производителем;
- использования неоригинальных дополнительных принадлежностей или принадлежностей, не одобренных производителем;
- ремонта изделия в неавторизованном сервисном центре или неквалифицированным специалистом;

Безопасность

Инструкции по технике безопасности

Ниже приведены определения уровня опасности для каждого сигнального слова.



ПРЕДУПРЕЖДЕНИЕ: Травмирование человека.



ВНИМАНИЕ: Повреждение изделия.

Примечание: Эта информация поможет упростить эксплуатацию изделия.

Общие инструкции по технике безопасности



ПРЕДУПРЕЖДЕНИЕ: В обязательном порядке прочитайте следующие инструкции по технике безопасности, прежде чем приступать к эксплуатации изделия.

- Запрещается вносить изменения в изделие без разрешения производителя. Используйте только оригинальные принадлежности. Несанкционированные модификации и/или неодобренные принадлежности могут привести к серьезным травмам или смерти оператора или других лиц.
- Не используйте поврежденное изделие. Проверяйте состояние защитных устройств и проводите техническое обслуживание в соответствии с инструкциями в данном руководстве по эксплуатации. Все прочие виды технического обслуживания должны проводиться сертифицированными специалистами по обслуживанию.
- Все работы по обслуживанию и ремонту должны выполняться сертифицированными специалистами по обслуживанию. Если какая-либо часть изделия неисправна, обратитесь в сервисный центр.

Инструкции по технике безопасности во время эксплуатации



ПРЕДУПРЕЖДЕНИЕ: В обязательном порядке прочитайте следующие инструкции по технике безопасности, прежде чем приступать к эксплуатации изделия.

- Изделие может представлять опасность и стать причиной тяжелой травмы или смерти оператора или окружающих. Соблюдайте осторожность и правила эксплуатации изделия.
- Перед началом эксплуатации проверьте изделие. См. раздел *Техническое обслуживание на стр. 313*.
- Ни в коем случае не используйте изделие, если вы устали, больны или находитесь под воздействием спиртного или других веществ, которые могут повлиять на зрение, оценку действительности или координацию.
- Перед использованием установите все крышки и кожули. Во избежание поражения электрическим током убедитесь, что колпачок свечи зажигания и кабель зажигания не повреждены.
- Запрещается касаться колпачка свечи или кабеля зажигания при работающем двигателе.
- Соблюдайте безопасное расстояние не менее 15 м до людей или животных. Если люди, в частности дети, или животные приближаются к изделию ближе, чем на 15 м, остановите изделие. Направляйте изделие в сторону от людей, животных, открытых окон и других объектов.
- Не позволяйте детям управлять изделием. Убедитесь, что все операторы прочитали и поняли содержание данного руководства по эксплуатации.
- Во время работы не подносите руки или какие-либо предметы к корпусу воздуходувки. Вращающиеся детали могут стать причиной серьезной травмы.
- Не используйте изделие без фильтра в воздуховоде. Перед началом работы всегда проверяйте, что фильтр в воздуховоде установлен и не поврежден.
- В аварийной ситуации ослабьте поясной и нагрудный ремни оснастки и дайте изделию упасть.
- Соблюдайте государственные нормативы и директивы.
- Держите части тела на безопасном расстоянии от горячих поверхностей.
- Слишком сильная вибрация может привести к нарушениям кровообращения или нервной системы. Если у вас есть такие симптомы, как онемение, потеря чувствительности, покалывание, боль, в том числе пульсирующая, упадок сил или изменение цвета кожи на пальцах, руках или запястьях, обратитесь к врачу.
- Берегитесь отбрасываемых предметов. Отбрасываемые предметы могут стать причиной серьезной травмы.
- Не используйте изделие при неблагоприятных погодных условиях, например в туман, дождь,

при сильном ветре и низких температурах. Работа в плохую погоду может привести к усталости и возникновению опасных ситуаций.

- Убедитесь, что вы можете свободно перемещаться и работать в устойчивом положении. Проверьте рабочую зону на наличие препятствий, например камней. Соблюдайте осторожность при работе с изделием на наклонной поверхности.
- Запрещается класть изделие на землю при работающем двигателе.
- Не работайте с изделием на высоте, например стоя на стремянке.
- Убедитесь, что вас обязательно услышат в случае аварии.
- Убедитесь, что вывод выхлопных газов не засорен. Во избежание повреждения изделия вывод выхлопных газов должен находиться на расстоянии не менее 50 см от препятствий.
- Запрещается запускать изделие в помещении, в условиях плохой вентиляции или рядом с легковоспламеняющимися материалами. Выхлопные газы двигателя содержат монооксид углерода, который может стать причиной отравления угарным газом. Выхлопные газы имеют высокую температуру и могут содержать искры, которые в свою очередь могут привести к воспламенению.

Средства индивидуальной защиты



ПРЕДУПРЕЖДЕНИЕ: В обязательном порядке прочитайте следующие инструкции по технике безопасности, прежде чем приступать к эксплуатации изделия.

- Каждый раз при работе с изделием следует использовать рекомендованные средства индивидуальной защиты. Средства индивидуальной защиты не могут полностью исключить риск получения травмы, но они способны снизить тяжесть травмы. Для получения дополнительных сведений обратитесь к своему дилеру.
- Всегда пользуйтесь защитными наушниками. Продолжительное воздействие шума может повлечь неизлечимое ухудшение слуха.
- Пользуйтесь проверенными средствами защиты глаз. При использовании защитной маски следует пользоваться также одобренными защитными очками. Под одобренными защитными очками подразумеваются очки, отвечающие требованиям стандарта ANSI Z87.1 для США или EN 166 для стран ЕС.
- Во время эксплуатации и технического обслуживания используйте защитные перчатки.
- Надевайте защитные ботинки или обувь с нескользящей подошвой.

- Используйте длинную одежду из прочной ткани. Не надевайте ювелирные украшения или открытую обувь. Чтобы снизить риск получения травмы, одежда должна плотно прилегать к телу, но не сковывать движения. Соберите волосы выше уровня плеч, чтобы они не попали во вращающиеся части и не зацепились за ветки.
- При работе в условиях, которые могут привести к появлению пыли, используйте средства защиты органов дыхания.
- Средства оказания первой помощи всегда должны быть под рукой.

Защитные устройства на изделии



ПРЕДУПРЕЖДЕНИЕ: В обязательном порядке прочитайте следующие инструкции по технике безопасности, прежде чем приступать к эксплуатации изделия.

- Запрещается использовать изделие с неисправными защитными устройствами.
- Регулярно выполняйте проверку защитных устройств. См. раздел *Техническое обслуживание на стр. 313*.
- Если защитные устройства неисправны, обратитесь к своему сервисному дилеру Husqvarna.

Проверка глушителя



ПРЕДУПРЕЖДЕНИЕ: Запрещается использовать изделие с неисправным глушителем.



ПРЕДУПРЕЖДЕНИЕ: Глушитель сильно нагревается в ходе работы и остается нагретым после окончания работы, а также при холостых оборотах. Во избежание ожогов пользуйтесь защитными перчатками.



ПРЕДУПРЕЖДЕНИЕ: Внутри глушителя содержится химикаты, которые могут быть канцерогенными. Не прикасайтесь к глушителю, если он поврежден.

- Регулярно выполняйте визуальную проверку глушителя. Глушитель предназначен для максимального снижения уровня шума и отвода выхлопных газов в сторону от оператора. См. раздел *Техобслуживание глушителя на стр. 314*.

Проверка системы гашения вибраций

1. Убедитесь в отсутствии трещин или деформации на амортизаторах.
2. Убедитесь, что амортизаторы надежно закреплены между блоком двигателя и рукояткой.

Информацию о расположении системы гашения вибраций на изделии см. в разделе *Обзор изделия на стр. 306*.

Проверка переключателя запуска/остановки

1. Используйте переключатель запуска/остановки для остановки двигателя.
2. Убедитесь, что двигатель полностью остановился.

Информацию о расположении переключателя запуска/остановки на изделии см. в разделе *Обзор изделия на стр. 306*.

Техника безопасности в отношении топлива



ПРЕДУПРЕЖДЕНИЕ: В обязательном порядке прочитайте следующие инструкции по технике безопасности, прежде чем приступить к эксплуатации изделия.

- Не смешивайте и не заливайте топливо в помещении или рядом с источником тепла.
- Запрещается запускать изделие, если вы пролили топливо или масло на изделие или тело.
- Запрещается запускать изделие при наличии утечки топлива из двигателя. Регулярно проверяйте двигатель на наличие утечек топлива.
- Соблюдайте осторожность при обращении с топливом. Топливо является легковоспламеняющейся жидкостью со взрывоопасными парами и может привести к серьезным или смертельным травмам.

- Запрещается вдыхать пары топлива, т. к. это может причинить вред здоровью. Убедитесь в наличии достаточного потока воздуха.
- Запрещается курить вблизи топлива или двигателя.
- Запрещает размещать изделие или емкость для топлива вблизи нагретых предметов, открытого огня, искр или горелок.
- Всегда используйте рекомендованные контейнеры для хранения и транспортировки топлива.

Инструкции по технике безопасности во время технического обслуживания



ПРЕДУПРЕЖДЕНИЕ: В обязательном порядке прочитайте следующие инструкции по технике безопасности, прежде чем приступить к эксплуатации изделия.

- Перед проведением технического обслуживания и сборки остановите двигатель, снимите свечу зажигания и дайте двигателю остыть.
- Засоренная искрогасительная сетка может привести к перегреву двигателя и, как следствие, к его повреждению.
- Если искрогасительная сетка часто засоряется, это может быть признаком нарушения работы каталитического нейтрализатора. Обратитесь к своему сервисному дилеру для проверки глушителя.

Сборка

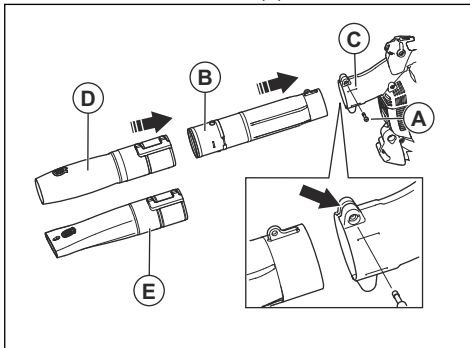
Введение



ПРЕДУПРЕЖДЕНИЕ: Перед сборкой изделия внимательно изучите раздел техники безопасности.

Сборка трубы воздуходувки

1. Ослабьте зажимной винт (A).



2. Установите промежуточную трубу (B) в трубу воздуходувки (C).

3. Установите и затяните зажимной винт (А).

4. Установите круглую (D) или плоскую (E) насадку на промежуточную трубу.

Эксплуатация

Введение



ПРЕДУПРЕЖДЕНИЕ: Перед эксплуатацией изделия внимательно изучите раздел техники безопасности.

Топливо

Данное изделие оборудовано двухтактным двигателем.



ВНИМАНИЕ: Заправка неподходящим типом топлива может привести к повреждению двигателя. Используйте смесь бензина и масла для двухтактных двигателей.

Предварительно смешанное топливо

- Для обеспечения оптимальной производительности и продления срока службы двигателя используйте предварительно смешанное топливо-алкилат Husqvarna. Данный тип топлива содержит меньшее количество вредных веществ по сравнению с обычным топливом, что приводит к сокращению вредных выбросов. Такое топливо при сгорании образует меньшее количество остатков, благодаря чему компоненты двигателя остаются более чистыми.

Смешивание топлива

Бензин

- Используйте неэтилированный бензин надлежащего качества с максимальным содержанием этанола 10%.



ВНИМАНИЕ: Не используйте бензин с октановым числом меньше 90 RON/87 АК1. При более низком октановом числе двигатель может производить стук, что в свою очередь может привести к повреждению двигателя.

Масло для двухтактных двигателей

- Для достижения оптимальных результатов и мощности пользуйтесь маслом Husqvarna для двухтактных двигателей.
- Если у вас нет масла Husqvarna для двухтактных двигателей, вы можете использовать высококачественное масло, предназначенное для двухтактных двигателей с воздушным охлаждением. Для выбора правильного масла обратитесь к своему дилеру по обслуживанию.



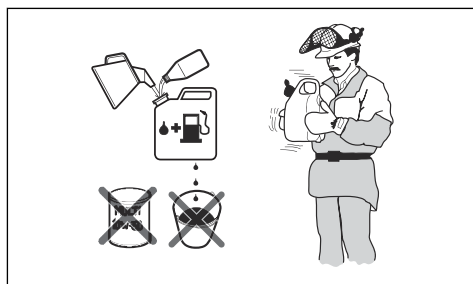
ВНИМАНИЕ: Запрещается использовать масло, предназначенное для двухтактных двигателей с внешним водяным охлаждением, т.н. "outboard oil". Использовать масло для четырехтактных двигателей запрещается.

Смешивание бензина и масла для двухтактных двигателей

Бензин, л	Масло для двухтактных двигателей, л
	2% (50:1)
5	0,10
10	0,20
15	0,30
20	0,40



ВНИМАНИЕ: Небольшие неточности при смешивании небольшого количества топлива могут значительно повлиять на соотношение компонентов в смеси. Внимательно измеряйте количество масла, чтобы обеспечить правильное соотношение компонентов.



- Добавьте половину количества бензина в чистую емкость для топлива.
- Добавьте все количество масла.
- Взболтайте топливную смесь.
- Добавьте оставшуюся часть бензина в емкость.
- Осторожно взболтайте топливную смесь.



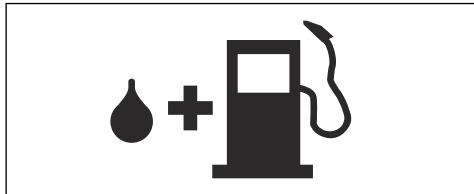
ВНИМАНИЕ: Срок хранения топливной смеси не должен превышать 1 месяца.

Заправка топливного бака



ПРЕДУПРЕЖДЕНИЕ: Следуйте приведенным ниже инструкциям для вашей безопасности.

1. Остановите двигатель и дайте ему остыть.
2. Очистите поверхность вокруг крышки топливного бака.



3. Взболтайте емкость и убедитесь, что топливо полностью смешалось.
4. Медленно снимите крышку топливного бака, чтобы стравить давление.
5. Заполните топливный бак.



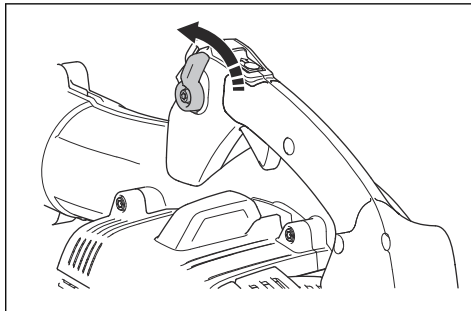
ВНИМАНИЕ: Убедитесь, что в топливном баке не слишком много топлива. При нагреве топливо расширяется.

6. Аккуратно затяните крышку топливного бака.
7. Уберите пролитое топливо с изделия и вокруг него.
8. Перед запуском двигателя относите изделие в сторону не менее чем на 3 м / 10 футов от источника топлива и места заправки топливом.

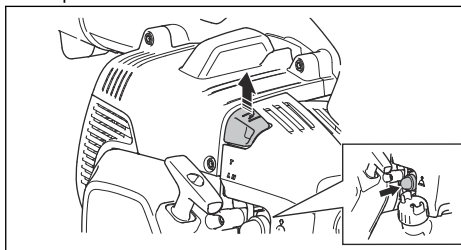
Примечание: Информацию по расположению топливного бака на изделии см. в разделе *Введение на стр. 306*.

Запуск изделия

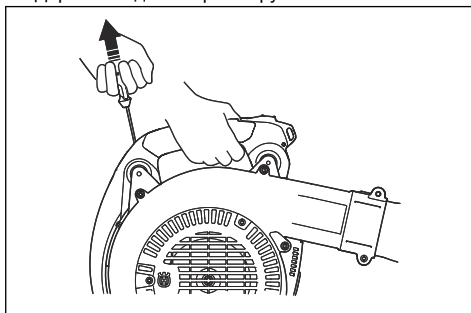
1. Установите ручку дросселя в положение холостого хода.



2. При холодном двигателе установите заслонку в закрытое положение.



3. Несколько раз нажмите на грушу нагнетателя, пока ее не начнет заполнять топливо. Полностью заполнять грушу топливом не требуется.
4. Разместите изделие на ровном участке земли.
5. Держите изделие правой рукой.



ВНИМАНИЕ: Не держите изделие ногами.

6. Медленно потяните ручку шнура стартера, пока не почувствуется сопротивление.
7. Резко потяните ручку шнура стартера левой рукой. Несколько раз потяните ручку шнура стартера, пока двигатель не запустится.

Примечание: Не вытягивайте ручку шнура стартера полностью и не отпускайте ее.

- При холодном двигателе установите заслонку в открытое положение.
- Если двигатель холодный, перед началом работы дайте ему прогреться в течение 2-3 минут.



ПРЕДУПРЕЖДЕНИЕ: Воздух выпускается при запуске двигателя и при работе изделия на холостом ходу. Не позволяйте людям приближаться к воздуходувке или ее трубе.

Эксплуатация изделия

- Эксплуатация изделия в обычное рабочее время. Соблюдайте местное законодательство.
- Уменьшите количество единиц оборудования и выберите скорость, соответствующую выполняемой задаче. Используйте дроссель в крайнем нижнем положении, чтобы предотвратить чрезмерное образование шума и пыли.
- Держите насадку воздуходувки рядом с землей.

Примечание: Husqvarna рекомендует работать с полностью выдвинутой насадкой воздуходувки.

- Следите за направлением ветра и перемещайте изделие по направлению ветра.

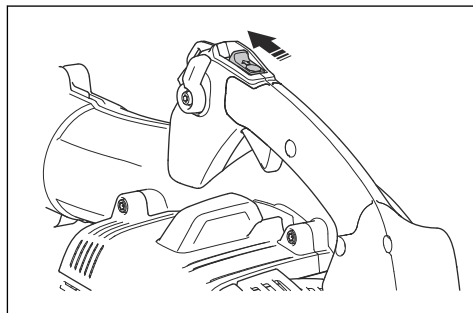
- Используйте соответствующие садовые инструменты, чтобы отделить материал от земли.
- На запыленных участках используйте распылители для увлажнения. За счет этого уменьшается время работы.
- После работы храните изделие в вертикальном положении.

Остановка двигателя



ВНИМАНИЕ: Не останавливайте изделие на полной скорости.

- Установите переключатель запуска/остановки в положение остановки.



Техническое обслуживание

Введение



ПРЕДУПРЕЖДЕНИЕ: Перед техническим обслуживанием изделия внимательно изучите раздел техники безопасности.

График технического обслуживания

Техническое обслуживание	Ежеднев но	Еженеде льно	Ежемеся чно
Очистите внешние поверхности.	X		
Убедитесь, что заслонка работает исправно.	X		
Проверьте работу переключателя запуска/остановки. См. раздел <i>Проверка переключателя запуска/остановки на стр. 310</i> .	X		
Проверьте двигатель, топливный бак и топливопроводы на наличие утечек. Проверьте топливный фильтр на наличие загрязнений. При необходимости замените топливный фильтр.	X		
Очистите воздушный фильтр. При необходимости замените воздушный фильтр.	X		
Затяните гайки и винты.	X		

Техническое обслуживание	Ежедневно	Еженедельно	Ежемесячно
Осмотрите воздухопровод и убедитесь, что он не засорен.	X		
Осмотрите стартер и шнур стартера на наличие повреждений.		X	
Осмотрите амортизаторы на наличие повреждений, трещин и деформации. Проверьте правильность установки амортизаторов.		X	
Проверьте свечу зажигания. См. раздел <i>Проверка свечи зажигания на стр. 314.</i>		X	
Очистите систему охлаждения.		X	
Очистите наружные поверхности карбюратора и область вокруг него.		X	
Прочистите топливный бак.			X
Осмотрите все провода и соединения.			X
Осмотрите и очистите искрогасительную сетку на глушителе (для изделий без каталитического нейтрализатора).		X	
Осмотрите и очистите искрогасительную сетку на глушителе (для изделий с каталитическим нейтрализатором).			X
Замените свечу зажигания. Убедитесь, что она оснащена изоляцией радиопомех.			X

Регулировка оборотов холостого хода

1. Убедитесь, что воздушный фильтр чист, а крышка воздушного фильтра установлена на место.
2. Отрегулируйте обороты холостого хода с помощью винта холостого хода. Информацию о расположении винта холостого хода на изделии см. в разделе *Обзор изделия на стр. 306.*

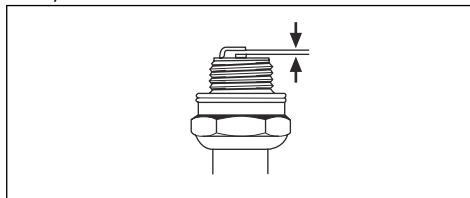
Проверка свечи зажигания



ВНИМАНИЕ: Используйте только рекомендуемые свечи зажигания. См. раздел *Проверка свечи зажигания на стр. 314.* Применение неподходящих свечей зажигания может привести к повреждению изделия.

1. Остановите двигатель и дайте изделию остыть.
2. Очистите свечу зажигания, если она загрязнена.

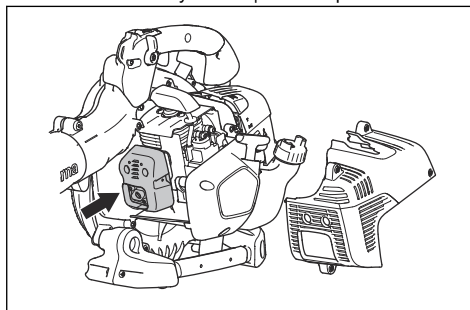
3. Проверьте правильность зазора между электродами. См. раздел *Технические данные на стр. 318.*



4. Выполняйте замену свечи зажигания раз в месяц или чаще, если необходимо.

Техобслуживание глушителя

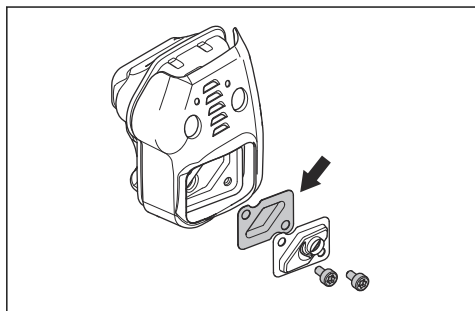
1. Остановите двигатель и дайте глушителю остыть. Используйте защитные перчатки.



2. Снимите крышку глушителя.

3. Выполните визуальную проверку. В случае повреждения искрогасительной сетки замените ее.

грязным воздушным фильтром. Пыль в воздухе может привести к повреждению двигателя.



Проверка и очистка системы охлаждения

Система охлаждения включает охлаждающие ребра на цилиндре и фильтр в воздуховоде.

1. Остановите двигатель.
2. В системе охлаждения не должно быть загрязнений и засоров. При необходимости очистите фильтр в воздуховоде и охлаждающие ребра.



ВНИМАНИЕ: Загрязнение или засорение системы охлаждения может привести к перегреву двигателя, в результате чего возможно повреждение изделия. Засоренный фильтр в воздуховоде снижает силу обдува.

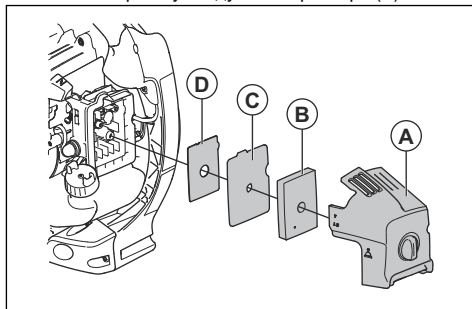
3. Осмотрите систему охлаждения на наличие повреждений. Убедитесь, что детали правильно установлены на изделие.

Очистка воздушного фильтра



ВНИМАНИЕ: Запрещается использовать изделие без воздушного фильтра или с

1. Переведите заслонку в закрытое положение.
2. Снимите крышку воздушного фильтра (А).



3. Извлеките воздушный фильтр (В) из рамы фильтра.
4. Промойте воздушный фильтр (В) теплой мыльной водой.

Примечание: Воздушный фильтр после эксплуатации в течение длительного периода невозможно полностью вычистить. Регулярно выполняйте замену воздушного фильтра и всегда заменяйте неисправный фильтр.

5. Очистите внутреннюю поверхность крышки воздушного фильтра (А) щеткой.
6. Снимите и замените войлочный фильтр (С), если он загрязнен.
7. Установите сетчатый фильтр (D), войлочный фильтр (С) и воздушный фильтр (В).
8. Установите крышку воздушного фильтра (А) на изделие.

Поиск и устранение неисправностей

Двигатель не запускается		
Проверка	Возможная причина	Решение
Кнопка остановки.	Положение остановки	Переведите выключатель в положение запуска.

Двигатель не запускается		
Проверка	Возможная причина	Решение
Собачка(-и) стартера.	Блокировка или износ собачки(-ек) стартера	Отрегулируйте или замените собачку(-и) стартера.
		Очистите поверхность вокруг собачки(-ек) стартера.
		Обратитесь к авторизованному сервисному дилеру.
Топливный бак.	Топливо несоответствующего типа.	Опорожните топливный бак и залейте подходящее топливо.
Карбюратор.	Регулировка оборотов холостого хода.	Отрегулируйте частоту вращения холостого хода с помощью винта регулировки холостого хода.
Зажигание (нет искры).	Свеча зажигания загрязнена или намокла.	Убедитесь, что свеча зажигания сухая и чистая.
	Неверный зазор между электродами свечи зажигания.	Очистите свечу зажигания. Проверьте правильность зазора между электродами. Убедитесь, что свеча зажигания оснащена изоляцией радиопомех. Правильный зазор между электродами см. в технических данных.
Свеча зажигания.	Плохой контакт свечи зажигания.	Затяните свечу зажигания.
	Посторонние материалы на электродах свечи зажигания.	Убедитесь, что используется надлежащая топливная смесь.
		Убедитесь, что воздушный фильтр чист.

Двигатель запускается, но затем снова останавливается		
Проверка	Возможная причина	Решение
Топливный бак.	Топливо несоответствующего типа.	Опорожните бак и залейте подходящее топливо.
Карбюратор.	Некорректная работа двигателя на холостых оборотах.	Обратитесь к своему дилеру по обслуживанию.
Воздушный фильтр.	Засорение воздушного фильтра.	Очистите воздушный фильтр.

Транспортировка и хранение



ПРЕДУПРЕЖДЕНИЕ: Во избежание возгорания убедитесь в отсутствии утечек или паров во время транспортировки или хранения. Убедитесь в отсутствии риска возникновения искр или возгорания.

- Сливайте топливо из топливного бака перед транспортировкой или помещением изделия на длительное хранение. Нажмите на грушу нагнетателя, чтобы удалить все топливо. Утилизируйте топливо в специально предназначенном для этого месте.
- Перед помещением изделия на длительное хранение очистите его и проведите полное обслуживание.
- Снимите свечу зажигания и залейте в цилиндр примерно 15 мл масла для двухтактных двигателей. Переверните изделие 3 раза и установите на место свечу зажигания.
- Надежно закрепляйте изделие на транспортном средстве на время транспортировки.
- Храните изделие в сухом, прохладном и чистом месте с хорошей вентиляцией. Храните изделие в недоступном для детей месте.

Технические данные

Технические данные

	Husqvarna 525BX
Двигатель	
Объем цилиндра, см ³	25,4
Обороты холостого хода, об/мин	3000
Каталитический нейтрализатор	Да
Система зажигания	
Свеча зажигания	NGK BPMR8Y
Зазор между электродами, мм	0,6-0,7
Топливная система и система смазки	
Емкость топливного бака, л / см ³	0,45 / 450
Вес	
Вес без топлива, кг	4,4
Излучение шума⁶⁷	
Уровень мощности звука, измеренный, дБ(А)	104
Уровень мощности шума, гарантированный L _{WA} дБ (А)	106
Уровни шума⁶⁸	
Эквивалентный уровень давления звука на уровне уха пользователя, измеренный согласно EN15503, дБ (А):	
С круглой насадкой	91
С плоской насадкой	92
Уровни вибрации⁶⁹	
Эквивалентный уровень вибрации (a _{hv,eq}) на ручках, измеренный согласно EN 15503, м/с ²	
С круглой насадкой	1,2
С плоской насадкой	2,0
Производительность вентилятора	
Макс. скорость воздушного потока с круглой насадкой, м/с	70

⁶⁷ Излучение шума в окружающую среду измеряется как мощность звука (L_{WA}) согласно директиве ЕС 2000/14/ЕС. Указанный уровень мощности звука для устройства измерен с оригинальным насадкой воздуходувки, дающим наивысший уровень. Разница между гарантированной и измеренной мощностью звука заключается в том, что гарантированная мощность звука включает результаты измерений как диапазон и их отклонение для устройств одной и той же модели согласно директиве 2000/14/ЕС.

⁶⁸ Указанные данные об уровне шумового давления имеют типичный статистический разброс (стандартное отклонение) в 1,0 дБ(А).

⁶⁹ Указанные данные об уровне вибрации имеют типичный статистический разброс (стандартное отклонение) 1,0 м/с².

	Husqarna 525BX
Макс. скорость воздушного потока с плоской насадкой, м/с	86
Воздушный поток с круглой насадкой, м ³ /мин	13
Воздушный поток с плоской насадкой, м ³ /мин	10

Декларация соответствия ЕС

Декларация соответствия ЕС

Husqvarna AB, SE-561 82 Huskvarna, Швеция, тел.: +46-36-146500, настоящим заявляет, что воздуходувки **Husqvarna 525BX** с серийными номерами от 2016 и далее (год производства четко указан на паспортной табличке рядом с серийным номером) соответствуют требованиям ДИРЕКТИВЫ СОВЕТА ЕС:

- от 17 мая 2006 года, "о машинах и механизмах" **2006/42/ЕС**.
- от 26 февраля 2014 года "об электромагнитной совместимости" **2014/30/EU**.
- от 8 мая 2000 года "относительно эмиссии шума в окружающую среду" **2000/14/ЕС**. Оценка соответствия нормам выполнена согласно Приложению V. Информацию по эмиссии шума см. в разделе *Технические данные на стр. 318*.
- от 8 июня 2011 года "об ограничении использования определенных опасных веществ в электрическом и электронном оборудовании" **2011/65/EU**.

Применяются следующие стандарты:

EN ISO 12100-2/A1:2009, CISPR 12:2009, EN 15503:2009/A2:2015, EN 50581:2012

RISE SMP Svensk Maskinprovning AB, по собственному желанию осуществила типовую проверку от имени компании Husqvarna AB. Номер сертификата: **SEC/14/2423** - 525BX

Huskvarna, 2020-01-01



Пер Густафссон (Per Gustafsson), директор Отдела разработок (уполномоченный представитель компании Husqvarna AB и ответственный за техническую документацию)

Obsah

Úvod.....	321	Riešenie problémov.....	330
Bezpečnosť.....	322	Preprava a uskladnenie.....	331
Montáž.....	325	Technické údaje.....	332
Prevádzka.....	325	ES vyhlásenie o zhode.....	334
Údržba.....	327		

Úvod

Popis výrobku

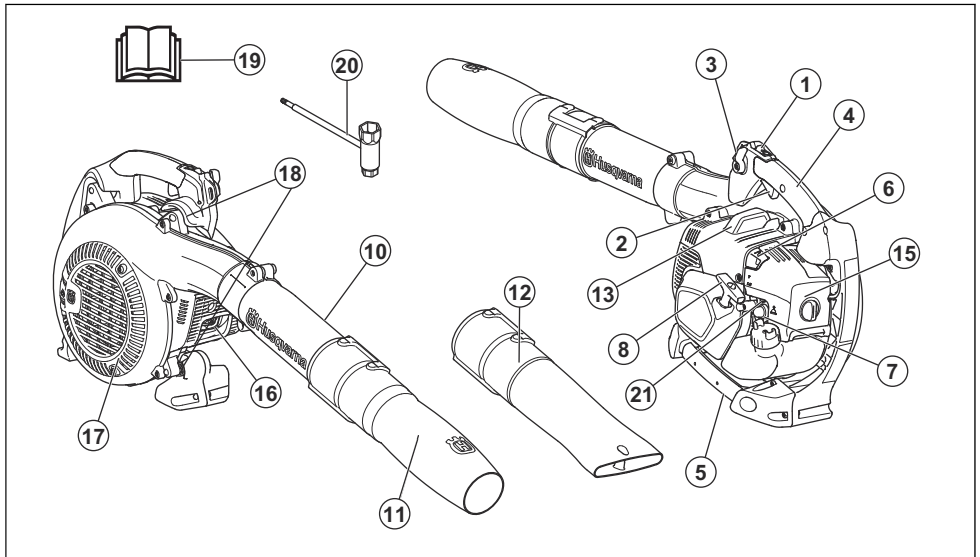
Tento výrobok je fúkač so spaľovacím motorom.

Neustále ďalej vyvíjame svoje výrobky, a preto si vyhradzuje právo upravovať dizajn a vzhľad výrobkov bez toho, aby sme o tom vopred informovali.

Plánované použitie

Výrobok používajte na odfukovanie lístia a iného nežiadúceho materiálu z plôch, ako sú trávniky, chodníky a asfaltové cesty.

Prehľad výrobku



1. Vypínač štart/stop
2. Páčka plynu
3. Ovládanie plynu
4. Ovládacia páka
5. Rukoväť
6. Ovládanie sýtiča
7. Nastrekovací balónik
8. Držadlo štartovacieho lanka
9. Upínacia skrutka
10. Stredná trubica
11. Okrúhla dýza
12. Plochá dýza
13. Zapaľovacia sviečka
14. Uzáver palivovej nádrže
15. Vzduchový filter
16. Tlmič výfuku
17. Mriežka nasávania vzduchu
18. Systém na tlmenie vibrácií
19. Návod na obsluhu
20. Kombinovaný kľúč
21. Skrutka voľnobežných otáčok

Symbols na výrobku



UPOZORNENIE! Tento výrobok môže byť nebezpečný a spôsobiť vážne poranenie alebo usmrtenie obsluhujúceho pracovníka alebo iných osôb. Zachovávajújte opatrosť a používajte výrobok správnym spôsobom.



Skôr než začnete produkt používať, pozorne si prečítajte návod na obsluhu a dôsledne sa oboznámte s pokynmi.



Používajte schválené prostriedky na ochranu sluchu a ochranu očí. Ak prostredie obsahuje prach, používajte dýchaciu masku.



Používajte schválené ochranné rukavice.



Tento výrobok je v súlade s príslušnými smernicami EÚ.



Zmes benzínu a dvojtaktného oleja.



Balónik pumpy.



Sýtič, otvorená poloha.



Sýtič, zatvorená poloha.



Emisie hluku do okolia podľa európskej smernice 2000/14/EÚ a legislatívy v štáte New South Wales „Protection of the Environment Operations (Noise Control) Regulation 2017“ (Nariadenie o ochrane

životného prostredia pri prevádzke (kontrola hluku) z roku 2017). Údaje o emisii hluku možno nájsť na štítku stroja a v kapitole s technickými údajmi.



Dávajte pozor na odletujúce predmety. Odletujúce predmety môžu spôsobiť vážne poranenie. Používajte osobné ochranné pomôcky.



Udržujte bezpečnostnú vzdialenosť minimálne 15 m od osôb alebo zvierat.

rrrtbooox

Na výkonovom štítku je uvedené výrobné číslo. **yyyy** je rok výroby a **ww** je týždeň výroby.

Poznámka: Ostatné symboly/emblémy na výrobku odkazujú na požiadavky certifikácie pre ďalšie komerčné oblasti.

Emisie Euro V



VÝSTRAHA: Nepovolená manipulácia s motorom ruší platnosť typového schválenia tohto výrobku pre EÚ.

Zodpovednosť za výrobok

V súlade s právnymi predpismi upravujúcimi zodpovednosť za výrobok nenesieme zodpovednosť za škody spôsobené našim výrobkom v dôsledku:

- nesprávne vykonanej opravy výrobku,
- opravy výrobku, pri ktorej neboli použité diely od výrobcu alebo diely schválené výrobcom,
- používania príslušenstva od iného výrobcu alebo príslušenstva, ktoré nie je schválené výrobcom,
- opravy výrobku, ktoré neboli vykonané v schválenom servisnom stredisku alebo schválenými kompetentnými osobami.

Bezpečnosť

Bezpečnostné definície

Nižšie uvedené definície označujú úroveň závažnosti pre každé signálne slovo.



VÝSTRAHA: Poranenie osôb.



VAROVANIE: Poškodenie výrobku.

Poznámka: Táto informácia napomáha k jednoduchšiemu používaniu výrobku.

Všeobecné bezpečnostné pokyny



VÝSTRAHA: Skôr než budete výrobok používať, prečítajte si nasledujúce výstrahy.

- Výrobok neupravujte bez súhlasu výrobcu a vždy používajte originálne príslušenstvo. Zmeny alebo príslušenstvo, ktoré neboli schválené, môžu viesť k vážnemu poraneniu alebo smrti obsluhy alebo ostatných osôb.
- Ak sa výrobok poškodí, nepoužívajte ho. Vykonávajte bezpečnostné kontroly a údržbu podľa pokynov uvedených v tomto návode na obsluhu. Všetky ostatné úkony údržby smú vykonávať len schválení pracovníci servisu.
- Všetky servisné a opravné úkony musia vykonať schválení pracovníci servisu. Ak je niektorá časť zariadenia chybná, obráťte sa na svojho servisného predajcu.

Bezpečnostné pokyny pre prevádzku



VÝSTRAHA: Skôr než budete výrobok používať, prečítajte si nasledujúce výstrahy.

- Tento výrobok môže byť nebezpečný a spôsobiť vážne poranenie alebo usmrtenie obsluhujúceho pracovníka alebo iných osôb. Zachovávajte opatrnosť a používajte výrobok správnym spôsobom.
- Pred použitím vykonajte kontrolu výrobku. Pozrite si časť *Údržba na strane 327*.
- Výrobok nepoužívajte, ak ste unavení, chorí alebo pod vplyvom alkoholu, liekov alebo čohokoľvek iného, čo môže viesť k zníženiu zrakovej schopnosti, koordinácie alebo schopnosti úsudku.
- Pred použitím namontujte všetky kryty a ochranné prvky. V záujme zabránenia úrazu elektrickým prúdom skontrolujte, či nie je poškodený kryt zapalovacej sviečky a kábel zapalovania.
- Nedoťkajte sa zapalovacej sviečky ani kábla zapalovania, keď je zapnutý motor.
- Udržujte bezpečnostnú vzdialenosť minimálne 15 m od osôb alebo zvierat. Ak sa k vám počas prevádzky produktu priblížia osoby, deti alebo zvieratá do vzdialenosti menšej ako 15 m, zastavte produkt. Produktom nemierťe na osoby, zvieratá, otvorené okná a iné predmety.
- Nenechajte deti používať produkt. Uistite sa, že si všetci obsluhujúci pracovníci prečítali tento návod na obsluhu a porozumeli jeho obsahu.
- Počas prevádzky udržiavajte ruky alebo iné predmety mimo krytu fúkača. Rotujúce časti môžu spôsobiť vážne poranenie.
- Nepoužívajte produkt, ak nie je nainštalovaná mriežka nasávania. Pred použitím sa vždy uistite, že

je nainštalovaná mriežka nasávania a nevykazuje žiadne známky poškodenia.

- V prípade núdze uvoľníte pásový a hrudný popruh od hlavného popruhu a nechajte produkt spadnúť.
- Dodržiavajte vnútroštátne predpisy a smernice.
- Všetky časti tela udržiavajte mimo horúcich plôch.
- Príliš vysoké vibrácie môžu spôsobiť poškodenie krvného obehu alebo nervovej sústavy. Ak sa u vás prejavia príznaky, ako napríklad znečulenie, strata citu, brnenie, pichanie, bolesť, strata sily, zmeny farby pokožky na prstoch, rukách alebo zápästiach, obráťte sa na svojho lekára.
- Dávajte pozor na odletujúce predmety. Odletujúce predmety môžu spôsobiť vážne poranenie.
- Výrobok nepoužívajte v nepriaznivých poveternostných podmienkach, napríklad v hmle, pri daždi a silnom vetre alebo vo veľmi chladnom prostredí. Práca v nepriaznivom počasí môže spôsobiť únavu alebo byť príčinou nebezpečných podmienok.
- Uistite sa, že sa môžete voľne pohybovať a zachovávať si stabilný postoj. Skontrolujte pracovnú oblasť, či sa v nej nenachádzajú možné prekážky, ako napríklad skaly. Keď používate produkt na svahu, postupujte opatrne.
- Nekladte produkt na zem, keď je zapnutý motor.
- Produkt nepoužívajte na vyvýšených miestach, ako napríklad na rebríku.
- Zabezpečte, aby ste si v prípade nehody mohli vždy privolať pomoc.
- Skontrolujte, či nie je zablokovaný vývod výfukových plynov. Aby ste zabránili poškodeniu produktu, udržiajte minimálne 50 cm odstup medzi vývodom výfukových plynov a prekážkami.
- Neštartujte výrobok vo vnútri, v miestach s nedostatočným prúdením vzduchu ani v blízkosti horľavého materiálu. Výfukové plyny motora obsahujú oxid uhoľnatý, ktorý môže spôsobiť otravu. Výfukové plyny motora sú horúce a môžu obsahovať iskry, ktoré môžu vyvolať požiar.

Osobné ochranné prostriedky



VÝSTRAHA: Skôr než budete používať produkt, prečítajte si nasledujúce výstrahy.

- Pri používaní produktu používajte schválené osobné ochranné prostriedky. Osobné ochranné prostriedky nedokážu úplne vylúčiť riziko, ale môžu znížiť vážnosť zranenia. Ak potrebujete ďalšie informácie, obráťte sa na predajcu.
- Používajte schválené chrániče sluchu. Dlhodobé vystavenie sa hluku môže spôsobiť trvalé poškodenie sluchu.
- Používajte schválené chrániče očí. Ak používate štít, musíte tiež používať schválené ochranné okuliare. Schválené ochranné okuliare musia zodpovedať

norme ANSI Z87.1 platnej v USA alebo norme EN 166 platnej v krajinách EÚ.

- Počas prevádzky alebo vykonávania údržby používajte ochranné rukavice.
- Používajte ochrannú obuv s protišmykovými podrážkami.
- Používajte odev z pevnej tkaniny a plnej dĺžky. Nepoužívajte šperky ani otvorenú obuv. V záujme zníženia rizika poranenia musí byť odev priliehavý, nesmie však obmedzovať pohyb. Vlasy si uchytíte nad úrovňou ramien, aby ste zabránili vniknutiu vlasov do rotujúcich častí alebo ich zachyteniu o konáre.
- V prašnom prostredí používajte dýchaciu masku.
- Majte poruke vybavenie prvej pomoci.

Bezpečnostné zariadenia na výrobku



VÝSTRAHA: Skôr než budete používať produkt, prečítajte si nasledujúce výstrahy.

- Nepoužívajte produkt, ktorý má chybné bezpečnostné zariadenia.
- Pravidelne kontrolujte bezpečnostné zariadenia. Pozrite si časť *Údržba na strane 327*.
- Ak sú bezpečnostné zariadenia chybné, obráťte sa na servisného zástupcu spoločnosti Husqvarna.

Kontrola tlmíča výfuku



VÝSTRAHA: Nepoužívajte výrobok, ak je tlmíč výfuku poškodený.



VÝSTRAHA: Tlmíče výfuku sa počas prevádzky a po nej výrazne zahrievajú, a to aj pri voľnobežných otáčkach. V záujme predchádzania zraneniam spôsobených popálením používajte ochranné rukavice.



VÝSTRAHA: Tlmíč výfuku obsahuje vo vnútri chemické látky, ktoré môžu mať karcinogénne účinky. Nedotýkajte sa tlmíča výfuku, ak je poškodený.

- Pravidelne pohľadom kontrolujte tlmíč výfuku. Tlmíč výfuku slúži na udržovanie minimálnej hladiny hluku a na smerovanie výfukových plynov smerom od obsluhy. Pozrite si časť *Údržba tlmíča výfuku na strane 329*.

Kontrola systému na tlenie vibrácií

1. Uistite sa, že jednotky na tlenie vibrácií nie sú poškodené ani deformované.
2. Uistite sa, že sú jednotky na tlenie vibrácií správne pripojené k motoru a rukoväti.

Informácie o umiestnení systému na tlenie vibrácií na vašom výrobku nájdete v časti *Prehľad výrobku na strane 321*.

Kontrola vypínača štart/stop

1. Pomocou vypínača štart/stop vypnete motor.
2. Uistite sa, že sa motor úplne zastavil.

Ak chcete zistiť, kde sa vypínač štart/stop nachádza na vašom výrobku, pozrite si časť *Prehľad výrobku na strane 321*.

Bezpečnosť paliva



VÝSTRAHA: Skôr než budete výrobok používať, prečítajte si nasledujúce výstrahy.

- Palivo nezmiešavajte ani nedopĺňajte v interiéri ani v blízkosti zdroja tepla.
- Výrobok neštartujte, ak sa na výrobku alebo na vašom tele nachádza olej alebo palivo.
- Výrobok neštartujte, ak sa na motore vyskytuje netesnosť a dochádza k úniku paliva. Pravidelne kontrolujte výskyt netesností a úniku paliva na motore.
- Pri manipulácii s palivom buďte vždy opatrní. Palivo je horľavá látka a výpary z paliva sú výbušné a môžu spôsobiť vážne poranenie alebo smrť.
- Vyhnite sa vdychovaniu výparov paliva, pretože môžu spôsobiť poranenie. Zabezpečte dostatočné prúdenie vzduchu.
- V blízkosti paliva alebo motora nefajčite.
- Výrobok ani nádobu na palivo neukladajte do blízkosti teplých predmetov, iskier alebo trvalého plameňa.
- Na uskladnenie a prepravu paliva vždy používajte schválené kanistre.

Bezpečnostné pokyny pre údržbu



VÝSTRAHA: Skôr než budete výrobok používať, prečítajte si nasledujúce výstrahy.

- Pred vykonávaním údržby a montáže zastavte motor, vyberte zapalovaciu sviečku a nechajte motor vychladnúť.
- V dôsledku zaneseného sitka lapača iskier sa motor príliš prehrieva, čo môže viesť k poškodeniu valcov a piestov.
- Ak je sitko lapača iskier často zanesené, môže to znamenať, že je výkon katalyzátora znížený. Kontaktujte servisného predajcu, aby tlmíč výfuku skontroloval.

Montáž

Úvod

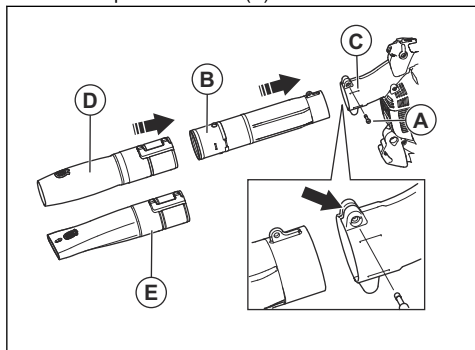


VÝSTRAHA: Pred montážou výrobku si prečítajte kapitolu o bezpečnosti a uistite sa, že rozumiete informáciám, ktoré sa v nej uvádzajú.

2. Namontujte strednú trubicu (B) do fúkacej trubice (C).
3. Namontujte a utiahnite upínaciu skrutku (A).
4. Na strednú trubicu namontujte okrúhlu dýzu (D) alebo plochú dýzu (E).

Montáž fúkacej trubice

1. Povoľte upínaciu skrutku (A).



Prevádzka

Úvod



VÝSTRAHA: Pred používaním výrobku si prečítajte kapitolu o bezpečnosti a uistite sa, že rozumiete informáciám, ktoré sa v nej uvádzajú.

Palivo

Tento výrobok má dvojtaktný motor.



VAROVANIE: Nesprávny typ paliva môže poškodiť motor. Používajte zmes benzínu a dvojtaktného oleja.

Namiešané palivo

- Na dosiahnutie najlepšieho výkonu a maximalizáciu životnosti motora použite namiešané alkylátové palivo Husqvarna. Toto palivo obsahuje v porovnaní s bežným palivom menej škodlivých látok, čo znižuje objem škodlivých výfukových plynov. Množstvo zvyškov po spaľovaní je pri tomto palive nižšie, čo udržuje komponenty motora čistejšie.

Miešanie paliva

Benzín

- Používajte kvalitný bezolovnatý benzín s max. 10 % etanolu.



VAROVANIE: Nepoužívajte benzín s oktánovým číslom menším než 90 RON/87 AKI. Použitie nižšieho oktánového čísla môže spôsobiť klepanie motora, ktoré môže viesť k poškodeniu motora.

Dvojtaktný olej

- Na dosiahnutie najlepších výsledkov používajte dvojtaktný olej Husqvarna.
- Ak nemáte k dispozícii dvojtaktný olej Husqvarna, môžete použiť iný dvojtaktný olej vysokej kvality, ktorý je určený pre vzduchom chladené motory. S výberom správneho oleja vám poradí váš servisný predajca.



VAROVANIE: Nepoužívajte olej pre dvojtaktné motory určený pre vodou chladené motory, niekedy označovaný aj

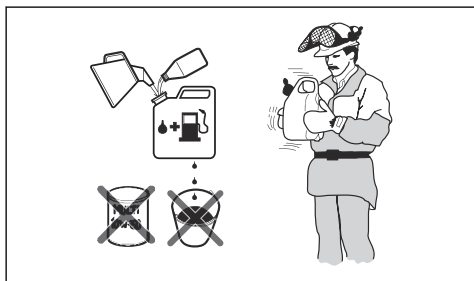
ako olej pre lodné motory. Nepoužívajte oleje určené pre štvortaktné motory.

Vytvorenie zmesi benzínu a oleja pre dvojtaktné motory

Benzín, liter	Olej pre dvojtaktné motory, liter
	2 % (50:1)
5	0,10
10	0,20
15	0,30
20	0,40



VAROVANIE: Pri miešaní malého množstva paliva môžu malé chyby výrazne ovplyvniť pomer zmesi. Opatrne odmerajte množstvo oleja, aby ste získali správnu zmes.



1. Polovicu množstva benzínu nalejte do čistej nádoby na palivo.
2. Pridajte celú dávku oleja.
3. Zmes paliva premiešajte.
4. Do nádoby pridajte zvyšné množstvo benzínu.
5. Zmes paliva opatrne premiešajte.



VAROVANIE: Zmes paliva nemiešajte na viac ako 1 mesiac.

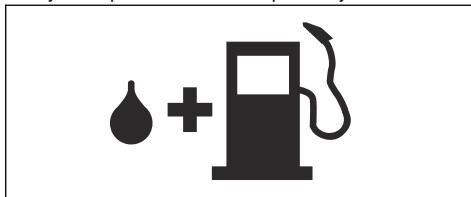
Doplňanie paliva do palivovej nádrže



VÝSTRAHA: Dodržiavajte nasledujúci postup kvôli vlastnej bezpečnosti.

1. Zastavte motor a nechajte ho vychladnúť.

2. Vycistite priestor okolo veka palivovej nádrže.



3. Zatraste nádobou a skontrolujte, či je palivo úplne zmiešané.
4. Pomaly odstráňte veko palivovej nádrže a uvoľnite tlak.
5. Nalejte palivo do palivovej nádrže.



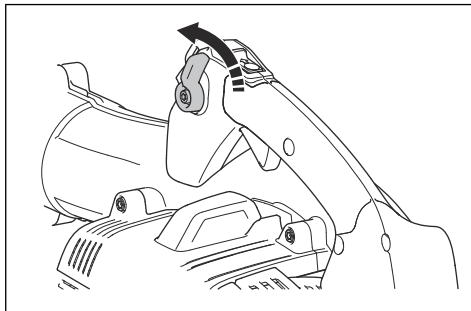
VAROVANIE: Skontrolujte, či v palivovej nádrži nie je príliš veľa paliva. Pri zahrievaní sa palivo rozširuje.

6. Utiahnite veko palivovej nádrže.
7. Utrite rozliaty benzín na produkte na okolo neho.
8. Pred štartovaním motora sa s výrobkom vzdialte od miesta dopĺňania a od zdroja paliva minimálne o 3 m/10 stôp.

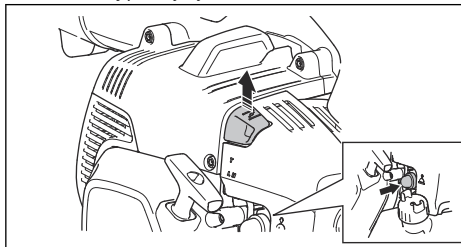
Poznámka: Ak chcete zistiť, kde sa palivová nádrž nachádza na vašom výrobku, pozrite si časť *Úvod na strane 321*.

Zapnutie výrobku

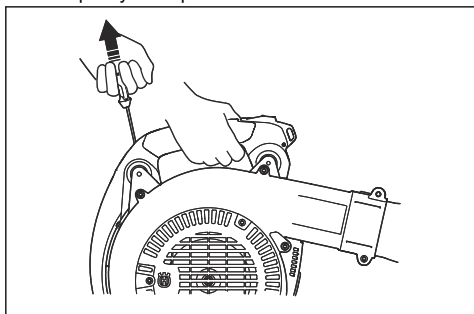
1. Presuňte ovládanie škrtiacej klapky do polohy voľnobehu.



2. Ak je motor studený, potlačte ovládanie sýtiča do zatvorenej polohy sýtiča.



3. Opakovane stláčajte pumpu, kým sa balónik pumpy nezačne plniť palivom. Nie je potrebné úplne naplniť balónik pumpy.
4. Položte výrobok na zem na rovný povrch.
5. Uchopte výrobok pravou rukou.



VAROVANIE: Na pridržanie produktu nepoužívajte chodidlá.

6. Pomaly ťahajte za dráždlo štartovacieho lanka, kým nepocítite odpor.
7. Ľavou rukou rýchlo potiahnite dráždlo štartovacieho lanka. Opakovane potiahnite dráždlo štartovacieho lanka, kým sa motor nenašartuje.

Poznámka: Nevyťahujte dráždlo štartovacieho lanka úplne von ani rukoväť štartovacieho lanka nepúšťajte.

8. Ak je motor studený, nastavte ovládanie sýtiča do otvorenej polohy.
9. Ak je motor studený, pred používaním nechajte motor 2 – 3 minúty bežať na voľnoběžných otáčkach, aby sa zahrial.



VÝSTRAHA: Vzduch začne prúdiť hneď po naštartovaní motora, dokonca aj keď je výrobok nastavený na voľnoběžné otáčky. Nedovoľte iným osobám priblížiť sa k výrobku alebo fúkačkej trubici.

Obsluha výrobku

- Výrobok používajte počas bežných pracovných hodín. Dodržiavajte miestne nariadenia.
- Pri plnení vašej pracovnej úlohy obmedzte počet zariadení a vyberte si správne otáčky. Používajte plyn na najnižšej možnej polohe, aby ste zabránili vyšším úrovňam hluku a prašnosti, ako je nevyhnutné.
- Udržiavajte dýzu fúkača blízko pri zemi.

Poznámka: Spoločnosť Husqvarna odporúča používať plné rozšírenie dýzy fúkača.

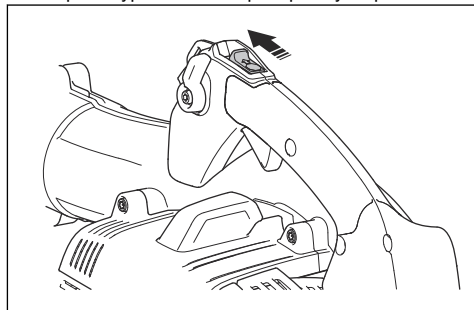
- Venujte pozornosť smeru vetra a výrobok používajte v smere vetra.
- Na uvoľnenie materiálu od zeme použite vhodné záhradné náradie.
- V prašných oblastiach použite striekacie zariadenie na zvlhčenie prašného miesta. Skrúti sa tým čas prevádzky.
- Po prevádzke nechajte výrobok uskladnený vo vertikálnej polohe.

Zastavenie motora



VAROVANIE: Nevypínajte výrobok pri maximálnych otáčkach.

- Prepnete vypínač štart/stop do polohy stop.



Údržba

Úvod

že rozumiete informáciám, ktoré sú v nej uvedené.



VÝSTRAHA: Pred údržbou výrobku si prečítajte kapitolu o bezpečnosti a uistite sa,

Plán údržby

Údržba	Denne	Týžd- enne	Mesačne
Vyčistite vonkajšie povrchy.	X		
Skontrolujte, či ovládanie plynu funguje správne.	X		
Skontrolujte, či vypínač štart/stop funguje správne. Pozrite si časť <i>Kontrola vypí- nača štart/stop na strane 324.</i>	X		
Skontrolujte tesnosť motora, palivovej nádrže a rozvodov paliva. Skontrolujte, či nie je znečistený palivový filter. V prípade potreby vymeňte palivový filter.	X		
Vyčistite vzduchový filter. Ak je vzduchový filter poškodený, vymeňte ho.	X		
Dotiahnite matice a skrutky.	X		
Skontrolujte nasávanie vzduchu a uistite sa, že nie je zablokované.	X		
Skontrolujte, či štartér a štartovacie nie sú poškodené.		X	
Skontrolujte, či antivibračné prvky nevykazujú známky poškodenia, popraskania alebo deformácie. Skontrolujte, či sú antivibračné prvky správne nainštalované.		X	
Skontrolujte zapaľovaciu sviečku. Pozrite si časť <i>Kontrola zapaľovacej sviečky na strane 328.</i>		X	
Vyčistite chladiaci systém.		X	
Vyčistite vonkajší povrch karburátora a jeho okolie.		X	
Vyčistite palivovú nádrž.			X
Skontrolujte všetky káble a konektory.			X
Skontrolujte a vyčistite sitko lapača iskier v tlmíči výfuku (pre výrobky bez kataly- zátoru).		X	
Skontrolujte a vyčistite sitko lapača iskier v tlmíči výfuku (pre výrobky s katalyzá- torom).			X
Vymeňte zapaľovaciu sviečku. Uistite sa, že je pripojená s odrušovačom.			X

Nastavenie voľnobežných otáčok

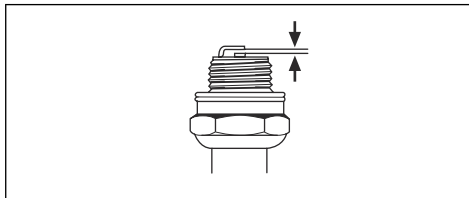
1. Uistite sa, že je vzduchový filter čistý a že je kryt vzduchového filtra pripevnený k výrobku.
2. Pomocou skrutky voľnobežných otáčok nastavte voľnobežné otáčky. Ak chcete zistiť, kde sa na vašom výrobku nachádza skrutka voľnobežných otáčok, pozrite si časť *Prehľad výrobku na strane 321.*

Kontrola zapaľovacej sviečky



VAROVANIE: Používajte odporúčanú zapaľovaciu sviečku. Pozrite si časť *Kontrola zapaľovacej sviečky na strane 328.* Nesprávny typ zapaľovacej sviečky môže viesť k poškodeniu výrobku.

2. Ak je zapaľovacia sviečka znečistená, vyčistite ju.
3. Skontrolujte správnu šírku medzery medzi elektródami. Pozrite si časť *Technické údaje na strane 332.*

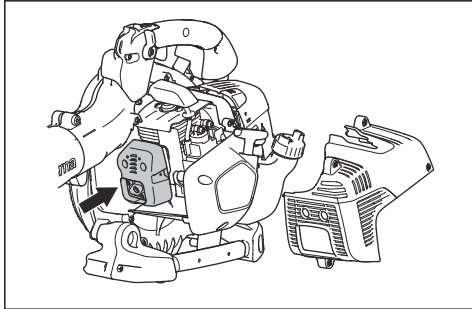


4. Vymeňte zapaľovaciu sviečku raz mesačne alebo v prípade potreby častejšie.

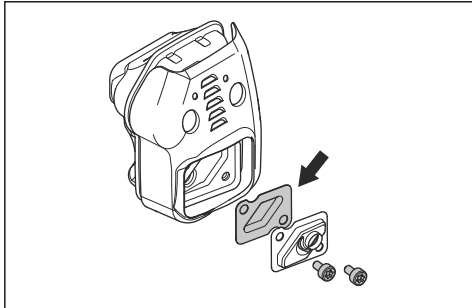
1. Zastavte motor a výrobok vychladnúť.

Údržba tlmíča výfuku

1. Zastavte motor a nechajte tlmíč výfuku vychladnúť. Používajte ochranné rukavice.



2. Odstráňte kryt tlmíča výfuku.
3. Vykonajte vizuálnu kontrolu. Ak je sitko lapača iskier poškodené, vymeňte ho.



Preskúšanie a očistenie chladiaceho systému

Chladiaci systém zahŕňa chladiace rebrá na valci a mriežku nasávania.

1. Zastavte motor.
2. Skontrolujte, či chladiaci systém nie je znečistený ani upchaný. V prípade potreby očistite mriežku nasávania a chladiace rebrá.



VAROVANIE: Znečistený alebo zablokovaný chladiaci systém môže

zvyšovať teplotu motora a spôsobiť poškodenie výrobku. Zanesená mriežka nasávania znižuje rýchlosť fúkania.

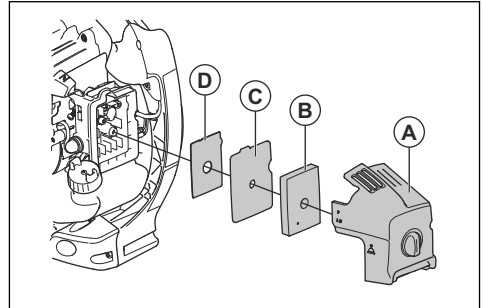
3. Skontrolujte, či chladiaci systém nie je poškodený. Skontrolujte, či sú diely správne pripevnené k výrobku.

Čistenie vzduchového filtra



VAROVANIE: Výrobok nepoužívajte bez vzduchového filtra ani s poškodeným vzduchovým filtrom. Prach vo vzduchu môže poškodiť motor.

1. Zatláčajte ovládanie sýtiča do zatvorenej polohy sýtiča.
2. Demontujte kryt vzduchového filtra (A).



3. Vyberte vložku vzduchového filtra (B) z rámu filtra.
4. Očistite vzduchový filter (B) teplou mydlovou vodou.

Poznámka: Vzduchový filter, ktorý bol používaný dlhší čas, nemožno úplne vyčistiť. Pravidelne vymieňajte vzduchový filter a vždy vymeňte poškodený vzduchový filter.

5. Pomocou kefy očistíte vnútornú časť krytu vzduchového filtra (A).
6. Ak je plstený filter (C) znečistený, vyberte ho a vymeňte.
7. Namontujte sitko (D), plstený filter (C) a vzduchový filter (B).
8. Namontujte kryt vzduchového filtra (A) k výrobku.

Riešenie problémov

Motor nemožno naštartovať		
Kontrola	Možná príčina	Riešenie
Tlačidlo Stop.	Poloha Stop	Prepnite vypínač do štartovacej polohy.
Západka/-y štartéra	Zablokovaná alebo opotrebovaná západka/-y štartéra.	Nastavte alebo vymeňte západku/-y štartéra.
		Vyčistite okolie západky/-iek štartéra.
		Obráťte sa na schváleného servisného predajcu.
Palivová nádrž.	Nesprávny typ paliva.	Vypustíte palivovú nádrž a použijete správne palivo.
Karburátor.	Nastavenie voľnobežných otáčok.	Nastavte voľnobežné otáčky pomocou nastavovacej skrutky voľnobežných otáčok.
Zapaľovanie (bez iskry).	Zapaľovacia sviečka je znečistená alebo vlhká.	Uistite sa, že je zapaľovacia sviečka suchá a čistá.
	Nesprávna medzera medzi elektródami na zapaľovacej sviečke.	Vyčistite zapaľovaciu sviečku. Skontrolujte správnu šírku medzery medzi elektródami. Skontrolujte, či je zapaľovacia sviečka nainštalovaná s tlmícom.
		Informácie o správnosti medzery medzi elektródami nájdete v časti s technickými údajmi.
Zapaľovacia sviečka.	Zapaľovacia sviečka je uvoľnená.	Utiahnite zapaľovaciu sviečku.
	Na elektródach zapaľovacej sviečky sa nachádza nežiadúci materiál.	Uistite sa, že používate správnu zmes paliva.
		Uistite sa, že je čistý vzduchový filter.

Motor naštartuje, no znova sa vypne		
Kontrola	Možná príčina	Riešenie
Palivová nádrž.	Nesprávny typ paliva.	Vypustíte obsah a použijete správne palivo.
Karburátor.	Nesprávne fungovanie motora pri voľnobežných otáčkach.	Obráťte sa na servisného predajcu.

Motor naštartuje, no znova sa vypne		
Kontrola	Možná príčina	Riešenie
Vzduchový filter.	Zanesený vzduchový filter.	Vyčistite vzduchový filter.

Preprava a uskladnenie



VÝSTRAHA: V záujme zabránenia nebezpečenstvu požiaru sa presvedčte, že počas prepravy alebo skladovania nehrozí žiadne nebezpečenstvo úniku paliva alebo jeho výparov. Uistite sa, že nehrozí nebezpečenstvo iskrenia alebo požiaru.

- Pred prepravou alebo pred dlhodobým skladovaním vyprázdňte palivovú nádrž. Stláčaním balónika pumpy sa presvedčte, že sa odstránilo všetko palivo. Palivo zlikvidujte v príslušnom zariadení na likvidáciu.
- Pred dlhodobým skladovaním sa presvedčte, či je výrobok čistý a či bol vykonaný jeho kompletný servis.
- Odmontujte zapalovaciu sviečku a do valca nalejte približne 15 ml dvojtaktného oleja. 3-krát otočte výrobok a znova namontujte zapalovaciu sviečku.
- Pred prepravou výrobok bezpečne pripevnite k vozidlu.
- Výrobok skladujte na suchom, chladnom a čistom mieste s dobrým vetraním. Batériu uchovávajte mimo dosahu detí.

Technické údaje

Technické údaje

	Husqvarna 525BX
Motor	
Objem valca, cm ³	25,4
Voľnobežné otáčky, ot./min	3 000
Katalyzátor	Áno
Systém zapalovania	
Zapaľovacia sviečka	NGK BPMR8Y
Vzdialenosť elektród, mm	0,6 – 0,7
Systém paliva a mazania	
Objem palivovej nádrže, l / cm ³	0,45 / 450
Hmotnosť	
Hmotnosť bez paliva, kg	4,4
Emisie hluku⁷⁰	
Nameraná úroveň hlučnosti, dB(A)	104
Zaručená úroveň hlučnosti L _{WA} dB(A)	106
Úrovne hlučnosti⁷¹	
Ekvivalentná hladina akustického tlaku pri uchu používateľa meraná podľa normy EN15503, dB(A):	
Pri použití s okrúhlou dýzou	91
Pri použití s plochou dýzou	92
Úrovne vibrácií⁷²	
Ekvivalentné hladiny vibrácií (a _{hv,eq}) na rukovätiach merané podľa normy EN 15503, m/s ²	
Pri použití s okrúhlou dýzou	1,2
Pri použití s plochou dýzou	2,0
Výkon ventilátora	
Maximálna rýchlosť vzduchu s okrúhlou dýzou, m/s	70

⁷⁰ Hladina hluku meraná ako akustický tlak (L_{WA}) v súlade s európskou smernicou 2000/14/ES. Uvádzaná hladina akustického výkonu pre stroj bola meraná s originálnym dýzou fúkača, ktorý produkuje najvyššiu úroveň. Rozdiel medzi zaručeným a nameraným akustickým výkonom spočíva v tom, že zaručený akustický výkon zahŕňa aj rozptyl výsledkov merania a rozdiely medzi jednotlivými strojmi rovnakého modelu v súlade so smernicou 2000/14/ES.

⁷¹ Uvádzané údaje pre hladinu akustického tlaku majú typický štatistický rozptyl (štandardnú odchýlku) 1,0 dB (A).

⁷² Uvádzané údaje pre ekvivalentný stupeň vibrácií majú typický štatistický rozptyl (štandardnú odchýlku) 1,0 m/s².

	Husqvarna 525BX
Maximálna rýchlosť vzduchu s plochou dýzou, m/s	86
Prietok vzduchu s okrúhlou dýzou, m ³ /min.	13
Prietok vzduchu s plochou dýzou, m ³ /min.	10

ES vyhlásenie o zhode

Husqvarna AB, SE-561 82 Huskvarna, Švédsko, tel.: +46-36-146500, vyhlasuje, že fúkač **Husqvarna 525BX** s výrobným číslom od roku 2016 (rok je zreteľne uvedený na výkonovom štítku, za ním nasleduje výrobné číslo) vyhovuje požiadavkám SMERNICE RADY:

- zo 17. mája 2006 o strojových zariadeniach **2006/42/ES**,
- z 26. februára 2014 vzťahujúca sa na elektromagnetickú kompatibilitu, **2014/30/EÚ**,
- z 8. mája 2000 týkajúca sa emisií hluku zariadení používaných vo vonkajšom priestore **2000/14/ES**. Hodnotenie zhody podľa dodatku V. Informácie týkajúce sa emisií hluku nájdete v časti *Technické údaje na strane 332*.
- z 8. júna 2011 „o obmedzení používania určitých nebezpečných látok v elektrických a elektronických zariadeniach“, **2011/65/EÚ**.

Boli uplatnené nasledujúce normy:

EN ISO 12100-2/A1:2009, CISPR 12:2009, EN 15503:2009/A2:2015, EN 50581:2012

Spoločnosť RISE SMP Svensk Maskinprovning AB, z poverenia spoločnosti Husqvarna AB vykonala dobrovoľnú typovú skúšku. Číslo certifikátu: **SEC/14/2423 – 525BX**,

Huskvarna, 2020-01-01



Per Gustafsson, manažér pre oblasť vývoja
(autorizovaný zástupca spoločnosti Husqvarna AB a
osoba zodpovedná za technickú dokumentáciu)

Znaki na izdelku



OPOZORILO! Ta izdelek je lahko nevaren in lahko povzroči hude poškodbe oziroma smrt uporabnika ali drugih. Bodite previdni in uporabljajte izdelek pravilno.



Pred začetkom uporabe izdelka natančno preberite navodila za uporabo in se prepričajte, da ste jih razumeli.



Uporabljajte odobreno zaščito za sluh in odobreno zaščito oči. Če okolje vsebuje prah, uporabite dihalno masko.



Uporabljajte odobrene zaščitne rokavice.



Izdelek je v skladu z veljavnimi direktivami ES.



Mešanica bencina in olja za dvotaktni motorje.



Membrana črpalke goriva.



Čok v odprtem položaju.



Čok v zaprtem položaju.



Nivo emisije hrupa v okolje je skladen z Evropsko direktivo 2000/14/ES in zakonodajo Novega južnega Walesa, in sicer z direktivo "Zaščita okolja pri delu (nadzor hrupa) iz 2017". Podatke o emisijah

hrupa najdete na oznaki stroja in v poglavju Tehnični podatki.



Pazite na odbite predmete. Zaradi izmeta predmetov lahko pride do hudih telesnih poškodb. Uporabljajte osebno zaščitno opremo.



Med uporabo izdelka bodite na varnostni razdalji 15 m od drugih oseb ali živali.

yyyywwxxxxx

Na tipski ploščici je navedena serijska številka. **yyyy** pomeni leto proizvodnje, **ww** pa označuje teden proizvodnje.

Opomba: Ostali simboli in oznake na izdelku se nanašajo na zahteve za certifikacijo, ki veljajo za druga komercialna območja.

Stopnja emisij Euro V



OPOZORILO: Zaradi predelave motorja se razveljavi EU-homologacija tega izdelka.

Odgovornost proizvajalca

Kot je navedeno v zakonodaji, ki ureja odgovornost proizvajalca, ne prevzemamo nikakršne odgovornosti za poškodbe, ki bi jih naši izdelki povzročili v naslednjih primerih:

- Izdelek ni pravilno popravljen.
- Izdelek je popravljen z deli, ki jih ni izdelal ali odobril proizvajalec.
- Na izdelku je nameščena dodatna oprema, ki je ni izdelal ali odobril proizvajalec.
- Izdelek ni bil popravljen v pooblaščenem servisnem centru ali pri pooblaščenem organu.

Varnost

Varnostne definicije

Spodnje definicije označujejo stopnjo resnosti posameznih opozorilnih besed.



OPOZORILO: Poškodbe oseb.



POZOR: Poškodbe izdelka.

Opomba: Te informacije olajšajo uporabo izdelka.

Splošna varnostna navodila



OPOZORILO: Pred uporabo izdelka preberite navodila v povezavi z opozorili v nadaljevanju.

- Ne spreminjajte izdelka brez vnaprejšnje odobritve proizvajalca in vedno uporabljajte originalno dodatno opremo. Spremembe in/ali dodatna oprema, ki niso odobrene, lahko povzročijo hude telesne poškodbe ali smrt uporabnika ali drugih oseb.
- Ne uporabljajte poškodovanega izdelka. Sledite navodilom za varnostne preglede in vzdrževanje, ki so navedena v teh navodilih za uporabo. Vsa druga vzdrževalna dela lahko opravi samo pooblaščen servisno osebje.
- Vse servise in popravila lahko opravi samo pooblaščen servisno osebje. Če je del izdelka pokvarjen, se obrnite na servisnega zastopnika.

Varnostna navodila za uporabo



OPOZORILO: Pred uporabo izdelka preberite navodila v povezavi z opozorili v nadaljevanju.

- Ta izdelek je lahko nevaren in lahko povzroči hude poškodbe oziroma smrt upravljavca ali drugih. Bodite previdni in uporabljajte izdelek pravilno.
- Pred uporabo pregledite izdelek. Glejte *Vzdrževanje na strani 341*.
- Izdelka ne uporabljajte, ko ste utrujeni, bolni ali pod vplivom alkohola, mamil ali zdravil, ki lahko slabo vplivajo na vaš vid, presojo ali koordinacijo.
- Pred uporabo namestite vse pokrove in varovala. Da preprečite električni udar, poskrbite, da pokrov svečke in vžigalni kabel nista poškodovana.
- Ko motor deluje, se ne dotikajte svečke ali vžigalnega kabla.
- Med uporabo izdelka bodite na varnostni razdalji 15 m od drugih oseb ali živali. Če so osebe, otroci ali živali bližje kot 15 m, izklopite izdelek. Izdelek usmerite stran od oseb, živali, odprtih oken in drugih predmetov.
- Otroci izdelka ne smejo uporabljati. Vsi uporabniki morajo prebrati in razumeti vsebino teh navodil za uporabo.
- Med delovanjem z rokami ali drugimi predmeti ne segajte v ohišje pihalnika. Vrtljivi deli lahko povzročijo hude telesne poškodbe.
- Izdelka ne uporabljajte, če rešetka dovoda zraka ni nameščena. Pred uporabo se vedno prepričajte, da je nameščena rešetka dovoda zraka in da ni poškodovana.
- V najnem primeru sprostite pas in prsni pas oprtnika ter pustite, da izdelek pade.
- Upoštevajte nacionalne uredbe in direktive.
- Izognite se stiku z vročimi površinami.

- Preveč tresljajev lahko povzročijo poškodbe v obtoku ali živčnem sistemu. Pogovorite se z zdravnikom, če imate simptome, kot so otrplost, izguba občutenja, ščemenje, zbadanje, bolečina, zmanjšano moč ali sprememba barve kože v prstih, rokah ali zapestjih.
- Pazite na odbite predmete. Zaradi izmeta predmetov lahko pride do hudih telesnih poškodb.
- Izdelka ne uporabljajte v slabem vremenu, npr. megli, dežju, močnem vetru in premrzlem okolju. Uporaba izdelka v slabem vremenu lahko povzroči utrujenost in nevarne razmere.
- Zagotovite, da se lahko premikate in ohranjate stabilen položaj. Preverite, ali so v delovnem območju morebitne ovire, npr. kamenje. Če izdelek upravljate na pobočju, bodite previdni.
- Ko je motor vklopljen, izdelka ne odlagajte na tla.
- Izdelka ne uporabljajte z visokih položajev, na primer na lestvi.
- Prepričajte se, da vas bo v primeru nesreče vedno nekdo slišal.
- Pazite, da bo izhod za izpušne pline prost. Ovire naj bodo na razdalji najmanj 50 cm od izhoda za izpušne pline, da preprečite poškodbo izdelka.
- Izdelka nikoli ne zaganjajte v zaprtih prostorih, prostorih s slabim pretokom ali v bližini vnetljivih materialov. Izpušni plini motorja vsebujejo ogljikov monoksid, ki lahko povzroči zastrupitev. Izpušni plini so vroči in lahko vsebujejo iskre, ki lahko zanetijo požar.

Osebna zaščitna oprema



OPOZORILO: Pred uporabo izdelka preberite navodila v povezavi z opozorili v nadaljevanju.

- Med uporabo izdelka obvezno uporabljajte ustrezno osebno zaščitno opremo. Osebna zaščitna oprema ne more popolnoma preprečiti poškodb, vendar v primeru nesreče omili posledice. Če potrebujete več informacij, se obrnite na prodajalca.
- Uporabljajte odobreno zaščitno za sluh. Dolgotrajna izpostavljenost hrupu lahko povzroči trajne poškodbe sluha.
- Uporabljajte odobreno zaščitno oči. Tudi če uporabljate vizir, morate vedno uporabljati tudi homologirana zaščitna očala. Homologirana zaščitna očala morajo biti skladna s standardom ANSI Z87.1 za ZDA ali s standardom EN 166 za države EU.
- Med uporabo in vzdrževanjem uporabljajte zaščitne rokavice.
- Uporabljajte zaščitno obutev ali čevlje z nedersečimi podplati.
- Uporabljajte dolga oblačila iz trpežnih materialov. Ne nosite nakita ali odprtih čevljev. Oblačila naj se vam tesno prilagajajo, vendar naj vas ne ovirajo pri gibanju, da zmanjšate tveganje poškodb. Lase si spnite nad rameni in tako preprečite, da bi se lasje zapletli v vrtljive dele ali se zataknili za veje.

- Če obstaja nevarnost prašenja, uporabljajte dihalno masko.
- Opremo za prvo pomoč hranite v bližini.

Varnostne naprave na izdelku



OPOZORILO: Pred uporabo izdelka preberite navodila v povezavi z opozorili v nadaljevanju.

- Ne uporabljajte izdelka s poškodovanimi varnostnimi napravami.
- Redno preverjajte varnostne naprave. Glejte poglavje *Vzdrževanje na strani 341*.
- Če so varnostne naprave poškodovane, se obrnite na servisnega zastopnika Husqvarna.

Preverjanje dušilnika



OPOZORILO: Če je dušilnik poškodovan, izdelka ne uporabljajte.



OPOZORILO: Dušilnik se med delovanjem, tudi pri hitrosti prostega teka, močno segreje in ostane vroč tudi po delovanju. Uporabljajte zaščitne rokavice, da preprečite opekline.



OPOZORILO: Notranja stran dušilnika vsebuje kemikalije, ki so lahko rakotvorne. Poškodovanega dušilnika se ne dotikajte.

- Redno vizualno preverjajte dušilnik. Dušilnik zmanjšuje nivo hrupa na najnižjo možno raven in odvaja izpušne pline stran od uporabnika. Glejte *Vzdrževanje dušilnika na strani 342*.

Preverjanje sistema za dušenje tresljajev

1. Prepričajte se, da na elementih za blaženje tresljajev ni razpok ali deformacij.
2. Prepričajte se, da so elementi za blaženje tresljajev ustrezno pritrjeni na motor in ročaj.

Za informacije o tem, kje na izdelku je nameščen sistem za dušenje tresljajev, glejte poglavje *Pregled izdelka na strani 335*.

Preverjanje stikala za vklop/izklop

1. Z vklopno/izklopnim stikalom izklopite motor.
2. Prepričajte se, da se je motor popolnoma zaustavil.

Za mesto stikala za vklop/izklop na vašem izdelku glejte *Pregled izdelka na strani 335*.

Varnost pri delu z gorivom



OPOZORILO: Pred uporabo izdelka preberite navodila v povezavi z opozorili v nadaljevanju.

- Goriva ne mešajte ali dolivajte v zaprtih prostorih ali v bližini vira toplote.
- Če so na izdelku ali na vašem telesu ostanki goriva ali olja, izdelka na zaganjajte.
- Če iz motorja izteka gorivo, izdelka ne zaganjajte. Redno preverjajte, ali iz motorja izteka gorivo.
- Z gorivom vedno ravnajte previdno. Gorivo je vnetljivo, hlapi goriva pa so eksplozivni, kar lahko privede do hudih poškodb ali smrti.
- Ne vdihavajte hlapov goriva, saj lahko pride do poškodb. Zagotovite zadosten pretok zraka.
- V bližini goriva ali motorja ne kadite.
- Izdelka ali posode za gorivo ne postavljajte v bližino vročih predmetov, odprtega ognja, isker ali indikatorskih lučk.
- Za prevoz in skladiščenje goriva vedno uporabite odobrene posode.

Varnostna navodila za vzdrževanje



OPOZORILO: Pred uporabo izdelka preberite navodila v povezavi z opozorili v nadaljevanju.

- Pred vzdrževanjem in sestavljanjem zaustavite motor, odstranite svečko in počakajte, da se motor ohladi.
- Zamašena mrežica lovilnika isker povzroči pregrevanje motorja in posledične poškodbe motorja.
- Če je lovilnik isker pogosto zamašen, je to lahko znak, da je delovanje katalizatorja poslabšano. Dušilnik naj pregleda servisni zastopnik.

Montaža

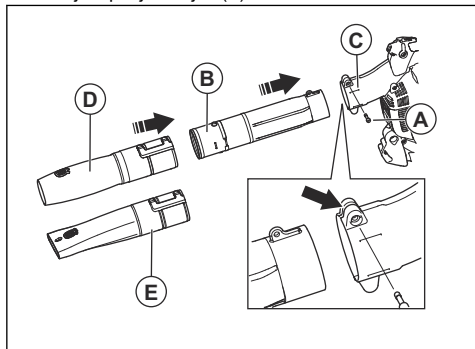
Uvod



OPOZORILO: Preden začnete sestavljati izdelek, morate prebrati in razumeti poglavje o varnosti.

Sestavljanje cevi pihalnika

1. Odvijte vpenjalni vijak (A).



2. Na cev pihalnika (C) namestite vmesno cev (B).
3. Namestite in zategnite vpenjalni vijak (A).
4. Na vmesno cev namestite okroglo šobo (D) ali ploščato šobo (E).

Delovanje

Uvod



OPOZORILO: Preden začnete uporabljati izdelek, morate prebrati in razumeti poglavje o varnosti.

Gorivo

Ta izdelek ima dvotaktni motor.



POZOR: Če uporabite neustrezno vrsto goriva, lahko poškodujete motor. Uporabite mešanico bencina in olja za dvotaktne motorje.

Predhodno zmešano gorivo

- Za najboljše delovanje in daljšo življenjsko dobo motorja uporabljajte vnaprej pripravljeno mešanico goriva z alkiatom Husqvarna. V gorivu je manj škodljivih kemikalij v primerjavi z običajnim gorivom, kar zmanjšuje količino škodljivih izpušnih plinov. Po zgorevanju tega goriva je količina ostankov manjša, zaradi česar so deli motorja čistejši.

Mešanje goriva

Bencin

- Uporabljajte kakovosten neosvinčen bencin z največ 10-% vsebnostjo etanola.



POZOR: Ne uporabljajte bencina, ki ima oktansko število nižje od 90 RON/87 AKI. Uporaba nižjega oktanskega števila lahko povzroči klenkanje, kar povzroča poškodbe motorja.

Olje za dvotaktne motorje

- Za čim boljše rezultate in zmogljivost uporabite olje za dvotaktne motorje Husqvarna.
- Če olje za dvotaktne motorje Husqvarna ni na voljo, lahko uporabite kakovostno olje za dvotaktne motorje z zračnim hlajenjem. Za izbiro ustreznega olja se obrnite na servisnega zastopnika.



POZOR: Ne uporabljajte olja za vodno hlajene izvenkrmne dvotaktne motorje. Ne uporabljajte olja za štiritaktne motorje.

Mešanica bencina in olja za dvotaktne motorje

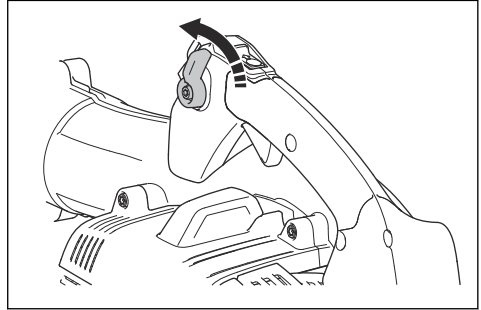
Bencin, liter	Olje za dvo- taktne motorje, liter
	2 % (50 : 1)
5	0,10
10	0,20
15	0,30
20	0,40



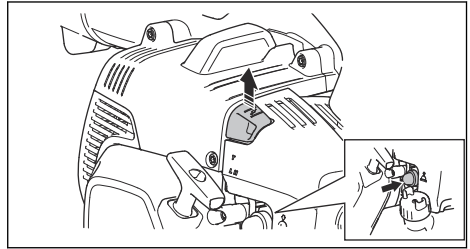
POZOR: Pri mešanju manjših količin goriva lahko manjša odstopanja močnejše vplivajo na razmerje mešanice. Natančno izmerite količino olja in tako ustvarite pravilno mešanico.

Zagon izdelka

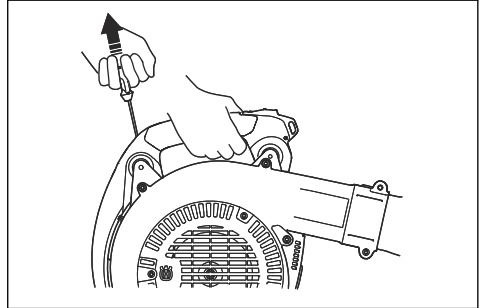
1. Ročico za plin premaknite v položaj prostega teka.



2. Če je motor hladen, ročico čoka potisnite v položaj zaprtega čoka.

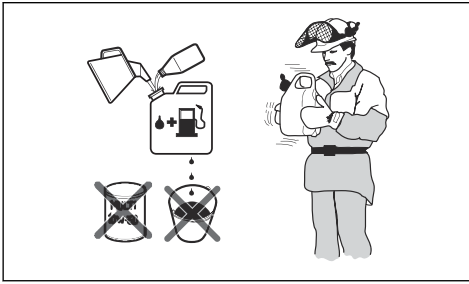


3. Membrano črpalke za gorivo pritiskajte toliko časa, da se napolni z gorivom. Membrane črpalke za gorivo ni treba povsem napolniti.
4. Izdelek postavite na ravno površino na tleh.
5. Izdelek pridržite z desno roko.



POZOR: Izdelka ne držite z nogami.

6. Počasi povlecite ročico zaganjalne vrvice, dokler ne začutite upora.
7. Z levo roko na hitro povlecite ročico zaganjalne vrvice. Ročico zaganjalne vrvice povlecite večkrat, dokler ne zaženete motorja.



1. Dolijte polovico bencina v čisto posodo za gorivo.
2. Dodajte celotno količino olja.
3. Pretresite mešanico goriva.
4. V posodo dodajte še preostalo količino bencina.
5. Temeljito pretresite mešanico goriva.



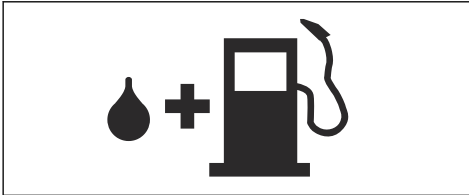
POZOR: Naenkrat ne pripravite mešanice goriva za več kot en mesec.

Polnjenje posode za gorivo



OPOZORILO: Za lastno varnost upoštevajte postopek v nadaljevanju.

1. Zaustavite motor in pustite, da se ohladi.
2. Očistite področje okrog pokrova posode za gorivo.



3. Pretresite posodo in tako poskrbite za ustrezno mešanje goriva.
4. Odstranite pokrovček posode za gorivo, da sprostite pritisk.
5. Napolnite posodo za gorivo.



POZOR: Prepričajte se, da v posodi za gorivo ni preveč goriva. Gorivo ima pri višjih temperaturah večjo prostornino.

6. Zategnite pokrovček posode za gorivo.
7. Na izdelku in okoli njega očistite razlito gorivo.
8. Izdelek pred zagonom za vsaj 3 m (10 čevljev) odmaknite od mesta, kjer ste točili gorivo, in od vira goriva.

Opomba: Za mesto rezervoarja za gorivo na vašem izdelku glejte *Uvod na strani 335*.

Opomba: Ročice zaganjalne vrvice nikoli ne izvlecite do konca in ne izpustite ročice zaganjalne vrvice.

- Če je motor hladen, ročico čoka premaknite v položaj odprtega čoka.
- Če je motor hladen, ga pred uporabo pustite delovati 2–3 minute, da se segreje.



OPOZORILO: Zrak se sprosti ob zagonu motorja, in ko je izdelek nastavljen na prosti tek. Osebam ne dovolite, da se približajo izdelku ali cevi pihalnika.

Upravljanje izdelka

- Izdelek uporabljajte ob običajnih delovnih urah. Upoštevajte lokalne predpise.
- Zmanjšajte število kosov opreme in izberite ustrezno hitrost za opravilo. Ročico za plin uporabljajte v najnižjem možnem položaju in tako preprečite dodaten hrup in prah.
- Šoba pihalnika naj bo blizu tal.

Opomba: Husqvarna priporoča, da uporabljate celoten podaljšek šobe pihalnika.

- Zabeležite si smer vetra in izdelek uporabljajte v smeri vetra.

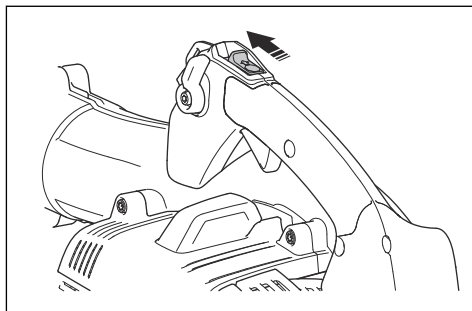
- Z ustreznim vrtnim orodjem odstranite material s tal.
- Na območjih s prahom območje zmočite z opremo za škropljenje. S tem se skrajša čas delovanja.
- Po delovanju postavite izdelek v navpični položaj za shranjevanje.

Zaustavitev motorja



POZOR: Izdelka ne zaustavljajte pri polni hitrosti.

- Stikalo za vklop/izklop potisnite v položaj zaustavitve.



Vzdrževanje

Uvod



OPOZORILO: Pred izvajanjem vzdrževalnih del na izdelku morate prebrati in razumeti poglavje o varnosti.

Urnik vzdrževanja

Vzdrževanje	Dnevno	Teden- sko	Mesečno
Očistite zunanje površine.	X		
Ročica za plin mora pravilno delovati.	X		
Poskrbite, da stikalo za vklop/izklop deluje pravilno. Glejte <i>Preverjanje stikala za vklop/izklop na strani 338</i> .	X		
Preglejte, ali iz motorja, posode ali cevi za gorivo izteka gorivo. Preverite, ali je filter goriva onesnažen. Po potrebi zamenjajte zračni filter.	X		
Očistite zračni filter. Po potrebi zračni filter zamenjajte.	X		
Privijte matice in vijake.	X		
Preverite dovod zraka in se prepričajte, da ni blokiran.	X		
Preverite, ali sta zaganjalnik in zaganjalna vrstica poškodovana.		X	

Vzdrževanje	Dnevno	Teden- sko	Mesečno
Preverite, ali so elementi za blaženje treslajev poškodovani, razpokani ali deformirani. Prepričajte se, da so elementi za blaženje treslajev pravilno nameščeni.		X	
Preglejte svečko. Glejte <i>Preverjanje svečke na strani 342</i> .		X	
Očistite hladilni sistem.		X	
Očistite zunanjo površino uplinjalnika in območje okrog njega.		X	
Očistite rezervoar za gorivo.			X
Preverite vse kable in povezave.			X
Preglejte in očistite mrežico lovilnika isker na dušilniku (za izdelke brez katalizatorja).		X	
Preglejte in očistite mrežico lovilnika isker na dušilniku (za izdelke s katalizatorjem).			X
Zamenjajte svečko. Kapica mora biti nameščena.			X

Prilagajanje hitrosti prostega teka

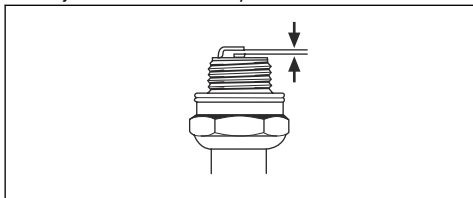
1. Prepričajte se, da je zračni filter čist in njegov pokrov pritrjen.
2. Hitrost prostega teka prilagodite z vijakom za hitrost prostega teka na vašem izdelku glejte *Pregled izdelka na strani 335*.

Preverjanje svečke



POZOR: Uporabite priporočeno svečko. Glejte *Preverjanje svečke na strani 342*. Če uporabite neustrezno svečko, se lahko izdelek poškoduje.

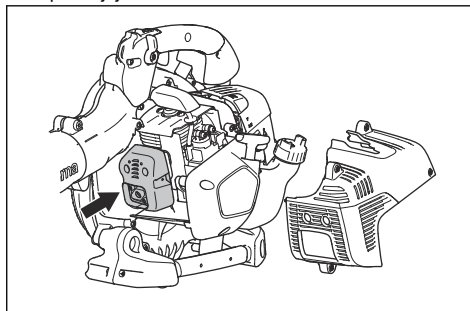
1. Zaustavite motor in pustite, da se izdelek ohladi.
2. Če je svečka umazana, jo očistite.
3. Prepričajte se, da je razmak pri elektrodi pravi. Glejte razdelek *Tehnični podatki na strani 345*.



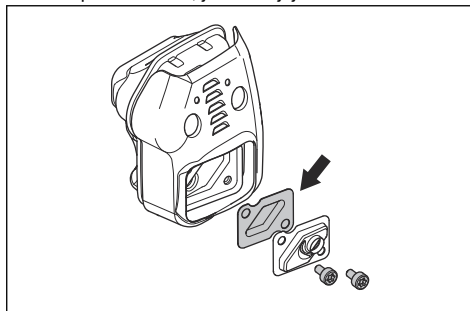
4. Svečko zamenjajte enkrat mesečno ali pogosteje, če je potrebno.

Vzdrževanje dušilnika

1. Zaustavite motor in pustite, da se dušilnik ohladi. Uporabljajte zaščitne rokavice.



2. Odstranite pokrov dušilca.
3. Opravite vizualni pregled. Če je mrežica lovilnika isker poškodovana, jo zamenjajte.



Pregled in čiščenje hladilnega sistema

Hladilni sistem vključuje hladilna rebra na valju in rešetko dovoda zraka.

1. Zaustavite motor.
2. Prepričajte se, da hladilni sistem ni umazan ali zamašen. Po potrebi očistite rešetko dovoda zraka in hladilna rebra.



POZOR: Umazan ali zamašen hladilni sistem lahko poviša temperaturo izdelka, zaradi česar lahko pride do poškodb izdelka. Zamašena rešetka dovoda zraka zmanjša silo pihanja.

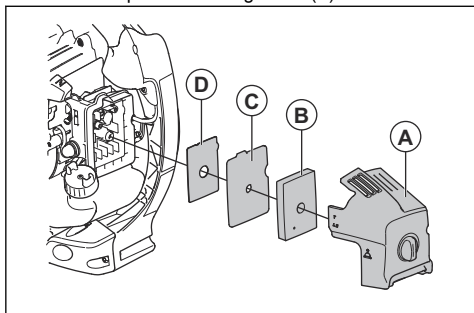
3. Preglejte, ali je hladilni sistem poškodovan. Zagotovite, da so deli pravilno pritrjeni na izdelek.

Čiščenje zračnega filtra



POZOR: Ne uporabljajte izdelka brez zračnega filtra ali s poškodovanim zračnim filtrom. Prah v zraku lahko poškoduje motor.

1. Ročico čoka potisnite v položaj zaprtega čoka.
2. Odstranite pokrov zračnega filtra (A).



3. Z okvirja za filter odstranite zračni filter (B).
4. Zračni filter (B) očistite s toplo vodo in milnico.

Opomba: Zračnega filtra, ki ste ga dolgo uporabljali, ne morete popolnoma očistiti. Redno menjajte zračni filter in vedno zamenjajte poškodovan zračni filter.

5. S krtačo očistite notranjo površino pokrova zračnega filtra (A).
6. Če je filter iz filca (C) umazan, ga odstranite in zamenjajte.
7. Namestite mrežico (D), filter iz filca (C) in zračni filter (B).
8. Pokrov zračnega filtra (A) namestite na izdelek.

Odpravljanje težav

Motorja ni mogoče zagnati		
Kontrola	Možen vzrok	Rešitev
Gumb za zaustavitev.	Položaj za izklop	Izklopno stikalo premaknite v položaj za zagon.
Zaskočne kljukice zaganjalnika.	Blokirane ali obrabljene zaskočne kljukice zaganjalnika.	Prilagodite ali zamenjajte zaskočne kljukice zaganjalnika.
		Očistite okolico zaskočnih kljukic zaskočne kljukice zaganjalnika.
		Obrnite se na pooblaščenega servisnega zastopnika.
Posoda za gorivo.	Nepravilna vrsta goriva.	Izpraznite rezervoar za gorivo in jo napolnite s pravilnim gorivom.
Uplinjalnik.	Nastavitev hitrosti prostega teka.	Prosti tek nastavite z nastavitvenim vijakom za prosti tek.

Motorja ni mogoče zagnati		
Kontrola	Možen vzrok	Rešitev
Iskra (ni iskre).	Umazana ali mokra svečka.	Poskrbite, da je svečka suha in čista.
	Razmak med elektrodama na svečki ni pravilen.	Očistite svečko. Prepričajte se, da je razmak med elektrodama pravilen. Na svečki mora biti nameščena zaščitna kapica. Ustrezen razmak med elektrodama si oglejte v tehničnih podatkih.
Svečka.	Vžigalna svečka ni čvrsto nameščena.	Zategnite svečko.
	Na elektrodah svečk je nežen material.	Mešanica goriva mora biti ustrezna. Zračni filter mora biti čist.

Motor se zažene, vendar se ponovno zaustavi		
Kontrola	Možen vzrok	Rešitev
Rezervoar za gorivo.	Nepravilna vrsta goriva.	Izpraznite ga in uporabite pravilno gorivo.
Uplinjalnik.	Motor pri hitrosti prostega teka ne deluje pravilno.	Obrnite se na servisnega zastopnika.
Zračni filter.	Zamašen zračni filter.	Očistite zračni filter.

Prevoz in skladiščenje



OPOZORILO: Da preprečite nevarnost požara, se med prevozom ali skladiščenjem prepričajte, da ni puščanja ali hlapov. Prepričajte se, da ni nevarnosti iskrenja ali požara.

- Izdelek hranite v suhem in čistem prostoru z dobrim pretokom zraka. Izdelek hranite zunaj dosega otrok.
- Pred prevažanjem ali dolgotrajnim skladiščenjem izpraznite rezervoar za gorivo. Pritisnite membrano črpalke za gorivo, da se prepričate, da ste odstranili vse gorivo. Gorivo zavržite na temu primernem zbirnem mestu.
- Prepričajte se, da je izdelek čist in da je pred dolgotrajnim skladiščenjem opravljen popoln servis.
- Odstranite svečko in v valj nalijte približno 15 ml olja za dvotaktno motorje. Izdelek 3-krat obrnite in znova namestite svečko.
- Med prevozom izdelek varno pritrdite na vozilo.

Tehnični podatki

Tehnični podatki

	Husqvarna 525BX
Motor	
Gibna prostornina valja v cm ³	25,4
Hitrost prostega teka, vrt/min	3000
Katalizator	Da
Vžigalni sistem	
Svečka	NGK BPMR8Y
Razmik elektrod, mm	0,6-0,7
Sistem za gorivo in mazanje	
Kapaciteta rezervoarja goriva v l / cm ³	0,45 / 450
Teža	
Teža brez goriva, kg	4,4
Emisije hrupa⁷³	
Raven zvočne moči, izmerjena v dB(A)	104
Raven zvočne moči, zajamčena L _{WA} v dB(A)	106
Nivoji hrupa⁷⁴	
Ekvivalentna raven zvočnega tlaka na uporabnikovem ušesu, merjena po EN15503, dB (A):	
Z nameščeno okroglo šobo	91
Z nameščeno ploščato šobo	92
Ravni vibracij⁷⁵	
Ekvivalentne ravni vibracij (a _{hv,eq}) v ročajih, izmerjene v skladu z EN 15503, m/s ²	
Z nameščeno okroglo šobo	1,2
Z nameščeno ploščato šobo	2,0
Zmogljivost ventilatorja	
Najvišja hitrost zraka pri okrogli šobi, m/s	70
Najvišja hitrost zraka pri ploščati šobi, m/s	86
Zračni pretok pri okrogli šobi, m ³ /min	13

⁷³ Emisije hrupa v okolje, merjene kot moč zvoka (L_{WA}), v skladu z direktivo ES 2000/14/ES. Navedena raven zvočne moči naprave je bila izmerjena z originalnim šobi pihalnika, ki dosega najvišjo raven. Razlika med zajamčeno in izmerjeno ravno zvočne moči je v tem, da zajamčena raven zvočne moči, v skladu z direktivo 2000/14/ES, vključuje tudi razpršitev izmerjenih vrednosti in razlike med različnimi napravami istega modela.

⁷⁴ Zabeleženi podatki za nivo zvočnega tlaka imajo tipično statistično razpršitev (standardni odklon) 1,0 dB(A).

⁷⁵ Zabeleženi podatki za raven vibracij imajo tipično statistično razpršitev (standardni odklon) 1,0 m/s².

	Husqvarna 525BX
Zračni pretok pri ploščati šobi, m ³ /min	10

Izjava ES o skladnosti

Husqvarna ABSE-561 82 Huskvarna, Švedska, tel.: +46-36-146500, izjavlja, da so pihalniki **Husqvarna 525BX** s serijskimi številkami od 2016 dalje (leto izdelave, ki mu sledi serijska številka, je jasno navedeno na tipski plošči), skladne z zahtevami DIREKTIVE SVETA:

- **2006/42/ES** z dne 17. maja 2006, "ki se nanaša na stroje".
- **2014/30/EU** z dne 26. februarja 2014 "o elektromagnetni združljivosti".
- **2000/14/ES** z dne 8. maja 2000 "o emisijah hrupa v okolje". Ocena skladnosti z Dodatkom V. Za informacije o emisijah hrupa glejte poglavje *Tehnični podatki na strani 345*.
- z dne 8. junija 2011 o omejevanju uporabe nekaterih nevarnih snovi v električni in elektronski opremi **2011/65/EU**.

Uporabljeni so naslednji standardi:

EN ISO 12100-2/A1:2009, CISPR 12:2009, EN 15503:2009/A2:2015, EN 50581:2012

RISE SMP Svensk Maskinprovning AB, je v imenu Husqvarna AB prostovoljno opravil tipski pregled. Številka certifikata je: **SEC/14/2423** - 525BX

Huskvarna, 2020-01-01



Per Gustafsson, Vodja razvoja (pooblaščen zastopnik družbe Husqvarna AB in odgovorna oseba za tehnično dokumentacijo)

Sadržaj

Uvod.....	348	Rešavanje problema.....	356
Bezbednost.....	349	Transport i skladištenje.....	357
Sklapanje.....	351	Tehnički podaci.....	358
Rukovanje.....	352	EZ deklaracija o usaglašenosti.....	360
Održavanje.....	354		

Uvod

Opis proizvoda

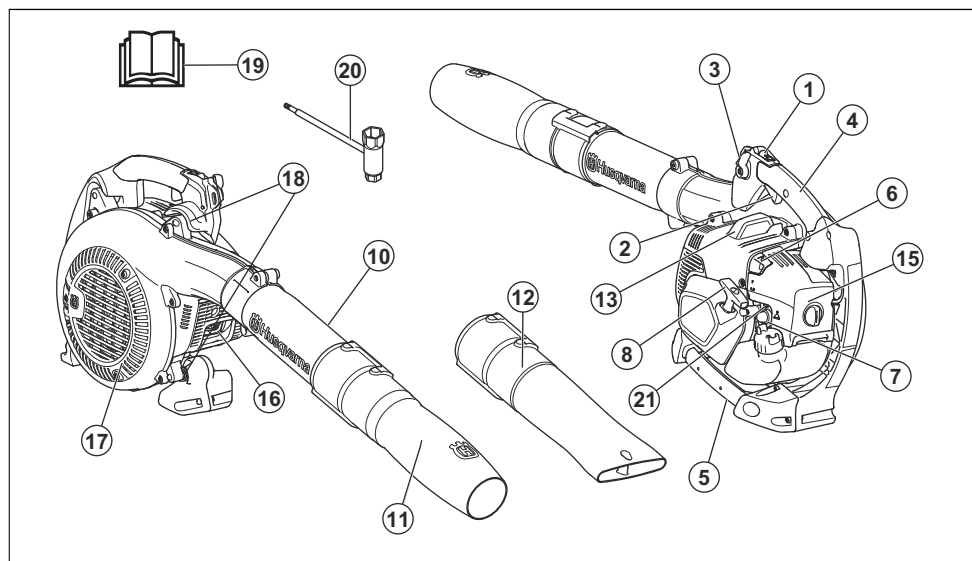
Proizvod je duvač sa SUS motorom.

Naša politika je neprekidan razvoj proizvoda i zato zadržavamo pravo da modifikujemo dizajn i izgled proizvoda, bez prethodnog obaveštenja.

Namena

Proizvod služi za duvanje lišća i drugog nepoželjnog materijala iz oblasti kao što su travnjaci, staze i asfaltirani putevi.

Pregled proizvoda



1. Prekidač za pokretanje / zaustavljanje
2. Prekidač gasa
3. Komanda gasa
4. Komandna ručica
5. Ručica
6. Kontrola čoka
7. Pumpa za gorivo
8. Ručica užeta startera
9. Zavrtanj obujmice
10. Srednja cev
11. Okrugla mlaznica
12. Ravna mlaznica
13. Svećica
14. Poklopac rezervoara za gorivo
15. Filter za vazduh
16. Prigušivač
17. Mrežica dovoda vazduha
18. Sistem prigušenja vibracija
19. Korisničko uputstvo
20. Kombinovani ključ
21. Vijak brzine praznog hoda

Simboli na proizvodu



UPOZORENJE! Ovaj proizvod može biti opasan i prouzrokovati teške povrede ili smrt rukovaoca i drugih osoba. Budite pažljivi i koristite proizvod na pravilan način.



Pre korišćenja pažljivo pročitajte korisničko uputstvo i uverite se da razumete njegov sadržaj.



Koristite odobrenu zaštitu za uši i oči. Ako je okruženje prašnjavo, koristite masku za disanje.



Koristite odobrene zaštitne rukavice.



Proizvod je usaglašen sa važećim direktivama EZ.



Mešavina benzina i ulja za dvotaktni motor.



Pumpa za vazduh.



Čok, otvoren položaj.



Čok, zatvoren položaj.



Emisije buke u okruženje u skladu sa evropskom Direktivom 2000/14/EZ i propisom o zaštiti radova u okruženju (kontrola buke) Novog Južnog Velsa iz 2017. Podaci o emisiji buke su navedeni na

nalepnici mašine i u poglavlju Tehnički podaci.



Pazite na izbačene predmete. Izbačeni predmeti mogu da nanese teške povrede. Koristite ličnu zaštitnu opremu.



Ljudi i životinje treba da budu na bezbednom rastojanju, najmanje 15 m.

yyyywwxxxx

Pločica tipa prikazuje serijski broj. **yyyy** je godina proizvodnje, a **ww** je nedelja proizvodnje.

Napomena: Drugi simboli/oznake na proizvodu odnose se na zahteve za sertifikaciju za ostale komercijalne oblasti.

Emisije Euro V.



UPOZORENJE: Neovlašćene prepravke motora poništavaju EU tip odobrenja za ovaj proizvod.

Odgovornost za proizvod

Kako je izloženo u zakonima o odgovornosti za proizvode, mi nismo odgovorni za oštećenja prouzrokovana našim proizvodom u sledećim slučajevima:

- proizvod je popravljen na pogrešan način
- proizvod je popravljen korišćenjem delova koji nisu napravljeni ili odobreni od strane proizvođača
- proizvod ima opremu koja ne potiče ili nije odobrena od strane proizvođača
- proizvod nije popravljen u ovlašćenom servisnom centru ili od strane ovlašćenog stručnjaka

Bezbednost

Bezbednosne definicije

Definicije navedene u nastavku pružaju nivo ozbiljnosti za svaku signalnu reč.



UPOZORENJE: Telesne povrede osoba.



OPREZ: Oštećenje proizvoda.

Napomena: Ove informacije olakšavaju korišćenje proizvoda.

Opšta bezbednosna uputstva



UPOZORENJE: Pročitajte upozoravajuća uputstva koja slede pre korišćenja proizvoda.

- Ne prepravljajte proizvod bez odobrenja proizvođača i uvek koristite originalne dodatke. Neodobrene prepravke i/ili dodaci mogu da dovedu do teških povreda ili smrti rukovaoca i drugih osoba.
- Nemojte koristiti oštećeni proizvod. Obavljajte bezbednosne provere i održavanje opisano u priručniku za rukovaoca. Sve druge radove održavanja mora obaviti ovlašćeni serviser.
- Sve druge radove popravki i održavanja mora obaviti ovlašćeni serviser. Ako je deo proizvoda neispravan, obratite se serviseru.

Bezbednosna uputstva za rad



UPOZORENJE: Pročitajte upozoravajuća uputstva koja slede pre korišćenja proizvoda.

- Ovaj proizvod može biti opasan i prouzrokovati teške povrede ili smrt rukovaoca ili drugih osoba. Budite pažljivi i koristite proizvod na pravilan način.
- Pregledajte proizvod pre upotrebe. Pogledajte *Održavanje na stranici 354*.
- Ne koristite uređaj ako ste umorni, bolesni ili pod uticajem alkohola i drugih supstanci koje mogu da vam ometaju ili, rasuđivanje i koncentraciju.
- Pre korišćenja postavite sve poklopce i štitnike. Da biste sprečili strujni udar, uverite se da kapica svećice i kabl za paljenje nisu oštećeni.
- Ne dodirujte svećicu ni kabl za paljenje dok motor radi.
- Ljudi i životinje treba da budu na bezbednom rastojanju, najmanje 15 m. Ako osobe ili životinje priđu na manje od 15 m, zaustavite proizvod. Ne usmeravajte proizvod ka osobama, licima, otvorenim prozorima i drugim predmetima.
- Ne dozvolite deci da rukuju proizvodom. Veoma je važno da svi rukovaoci pročitaju i shvate sadržaj ovog korisničkog uputstva.
- Tokom rada držite šake dalje od kućišta duvača. Delovi koji rotiraju mogu da nanese teške povrede.
- Ne koristite proizvod ako mrežica dovoda vazduha nije postavljena. Uvek se pre upotrebe uverite da mrežica dovoda vazduha nije oštećena i da je na svom mestu.
- U vanrednim situacijama, otpustite grudni i pojasni remen i pustite da proizvod padne.
- Poštujte državne zakone i propise.
- Držite delove tela podalje od vrućih površina.
- Previše vibracija može da ošteti nervni sistem ili krvotok. Obratite se doktoru ako uočite simptome kao što su obamlost, gubitak osećaja, golicanje,

bockanje, bol, gubitak snage ili promena boje kože na prstima, šakama ili zglobovima.

- Pazite na izbačene predmete. Izbačeni predmeti mogu da nanese teške povrede.
- Nemojte rukovati proizvodom po lošem vremenu, kao što je magla, kiša, jak vetar i velika hladnoća. Rad po lošem vremenu zamara i može da izazove opasne uslove.
- Uverite se da možete da se krećete i da ste u stabilnom položaju. Proverite ima li u radnom prostoru prepreka, npr. kamenja. Budite pažljivi kada koristite proizvod na nagibima.
- Ne ostavljajte proizvod na tlo ako mu motor radi.
- Ne koristite proizvod na visokim mestima, na primer sa merdevina.
- Uverite se da neko uvek može da vas čuje u slučaju nezgode.
- Uverite se da auspuh nije blokiran. Da biste sprečili oštećenje proizvoda, prepreke treba da budu udaljene najmanje 50 cm od auspuha.
- Nemojte pokretati proizvod u zatvorenom prostoru, na mestima sa lošom cirkulacijom vazduha ili blizu zapaljivih materijala. Izduvni gasovi iz motora sadrže ugljen-monoksidi, koji može da izazove trovanje. Izduvni gasovi su vrući i mogu da sadrže varnicu koja može da pokrene požar.

Lična zaštitna oprema



UPOZORENJE: Pročitajte upozoravajuća uputstva koja slede pre korišćenja proizvoda.

- Koristite odobrenu ličnu zaštitnu opremu kad koristite proizvod. Lična zaštitna oprema ne može da u potpunosti spreči telesnu povredu, ali umanjuje težinu telesne povrede. Obratite se prodavcu za više informacija.
- Koristite odobrenu zaštitu za sluh. Dugotrajno izlaganje buci može prouzrokovati trajne povrede sluha.
- Koristite odobrenu zaštitu za oči. Prilikom korišćenja vizira istovremeno se moraju koristiti odobrene zaštitne naočare. Odobrene zaštitne naočare moraju da ispunjavaju standard ANSI Z87.1 u SAD ili EN 166 u zemljama Evropske unije.
- Koristite zaštitne rukavice tokom rada i održavanja.
- Koristite zaštitnu obuću sa nekližućim đonom.
- Koristite obuću pune dužine od jake tkanine. Ne nosite nakit i ne nosite otvorenu obuću. Da biste smanjili opasnost od povrede, odeća treba da bude pripijena, ali ne sme da ograničava pokrete. Vežite osu iznad ramena ako je duga, da ne bi ušla u rotirajuće delove ili hvatala grančice.
- Koristite zaštitu za disajne organe ako je moguće podizanje prašine.
- Neka vam komplet za prvu pomoć bude u blizini.

Bezbednosni uređaji na proizvodu



UPOZORENJE: Pročitajte upozoravajuća uputstva koja slede pre korišćenja proizvoda.

- Nemojte koristiti proizvod na kojem su oštećeni bezbednosni uređaji.
- Redovno proveravajte bezbednosne uređaje. Pogledajte *Održavanje na stranici 354*.
- Ako su bezbednosni uređaji neispravni, obratite se Husqvarna prodavcu.

Da biste proverili prigušivač



UPOZORENJE: Nemojte koristiti proizvod sa oštećenim prigušivačem.



UPOZORENJE: Prigušivači postaju veoma vrući tokom i posle rada, kao i pri brzini praznog hoda. Nosite zaštitne rukavice da biste sprečili pojavu opekotina.



UPOZORENJE: Unutrašnjost prigušivača sadrži hemikalije koje mogu biti kancerogene. Ne dodirujte prigušivač ako je vreo.

- Redovno vizuelno proveravajte prigušivač. Prigušivač održava nivoe buke na minimumu i šalje izduvne gasove od rukovaoca. Pogledajte *Održavanje prigušivača na stranici 355*.

Da biste proverili sistem prigušenja vibracija

1. Uverite se da na jedinicama za prigušivanje vibracija nema pukotina i deformacija.
2. Proverite da li je element za prigušivanje vibracija dobro pričvršćen na jedinice motora i ručke.

Pogledajte *Pregled proizvoda na stranici 348* za informacije o tome gde na proizvodu se nalazi sistem za prigušivanje vibracija.

Provera rada prekidača za pokretanje/zaustavljanje

1. Upotrebite prekidač za pokretanje/zaustavljanje da biste zaustavili motor.

2. Uverite se da se motor potpuno zaustavio.

Pogledajte *Pregled proizvoda na stranici 348* da biste videli gde na proizvodu se nalazi prekidač za pokretanje / zaustavljanje.

Bezbednost oko goriva



UPOZORENJE: Pročitajte upozoravajuća uputstva koja slede pre korišćenja proizvoda.

- Nemojte mešati gorivo u zatvorenom prostoru ili blizu izvora toplote.
- Nemojte pokretati proizvod ako se na njemu ili na vama nalazi ulje ili gorivo.
- Nemojte pokretati proizvod ako postoji curenje iz motora. Redovno proveravajte da li postoji curenje iz motora.
- Budite oprezni pri radu sa gorivom. Gorivo je zapaljivo a isparenja su eksplozivna i mogu izazvati teške povrede ili smrt.
- Nemojte udisati isparenja goriva, to može izazvati telesnu povredu. Pobrinite se da ima dovoljno protoka vazduha.
- Nemojte pušiti u blizini goriva ili motora.
- Nemojte stavljati proizvod ni sud sa gorivom blizu toplih predmeta, blizu otvorenog plamena, varnica ili pilot svetla.
- Uvek koristite odobrene kanistere za čuvanje i transport goriva.

Bezbednosna uputstva za održavanje



UPOZORENJE: Pročitajte upozoravajuća uputstva koja slede pre korišćenja proizvoda.

- Zaustavite motor, skinite svećicu i sačekajte da se motor ohladi pre održavanja i skapanja.
- Zapušen hvatač varnica uzrokuje prekomerno zagrevanje motora, što za posledicu ima oštećenje motora.
- Ako je hvatač varnica često zapušen to može biti znak da je smanjen učinak katalizatora. Obratite se servisu radi pregleda prigušivača.

Skapanje

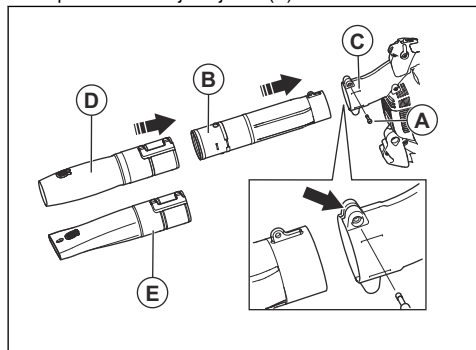
Uvod



UPOZORENJE: Pre skapanja proizvoda je potrebno da pročitate i razumete poglavlje o bezbednosti.

Sklapanje cevi duvača

1. Otpustite zavrtanj objumice (A).



2. Umetnite međucev (B) u cev duvača (C).
3. Postavite i pritegnite zavrtanj objumice (A).
4. Stavite okruglu (D) ili ravnu mlaznicu (E) na međucev.

Rukovanje

Uvod



UPOZORENJE: Pre korišćenja proizvoda je potrebno da pročitate i razumete poglavlje o bezbednosti.

Gorivo

Ovaj proizvod ima dvotaktni motor.



OPREZ: Neodgovarajući tip goriva može da ošteti motor. Koristite mešavinu benzina i ulja za dvotaktni motor.

Unapred smešano gorivo

- Koristite Husqvarna unapred smešano alkilatno gorivo za najbolje radne karakteristike i produžetak radnog veka motora. To gorivo sadrži manje štetnih hemikalija od običnog goriva i tako smanjuje štetne izduvne gasove. Količina ostataka posle sagorevanja je niža u ovom gorivu, pa komponente motora ostaju čistije.

Mešanje goriva

Benzin

- Koristite kvalitetan bezolovni benzin sa maksimalno 10% etanola.



OPREZ: Nemojte koristiti benzin sa oktanskim brojem manjim od 90 RON / 87 AKI. Korišćenje benzina manjeg oktanskog broja može da izazove štetno detonantno sagorevanje u motoru.

Ulje za dvotaktne motore

- Najbolje rezultate daje Husqvarna ulje za dvotaktne motore.
- Ako Husqvarna ulje za dvotaktne motore nije dostupno, koristite drugo ulje za dvotaktne motore dobrog kvaliteta za motore sa vazдушnim hlađenjem. Obratite se dileru za izbor odgovarajućeg ulja.



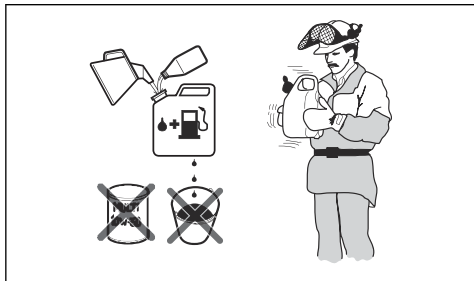
OPREZ: Nemojte koristiti ulje za dvotaktne motore za vanbrodske motore sa vodenim hlađenjem, koje se takođe naziva ulje za vanbrodske motore. Nemojte koristiti ulje za četvorotaktne motore.

Pravljenje mešavine benzina i ulja za dvotaktne motore

Benzin, litara	Ulje za dvo- taktne motore, litara
	2% (50:1)
5	0,10
10	0,20
15	0,30
20	0,40



OPREZ: Male greške mogu znatno da utiču na odnos u mešavini kad mešate male količine goriva. Pažljivo izmerite količinu ulja koja će se koristiti za mešavinu da biste dobili tačan odnos u mešavini.



1. Dospite pola količine goriva u čist sud za gorivo.
2. Dodajte punu količinu ulja.
3. Promešajte mešavinu goriva.
4. Dodajte preostalu količinu goriva u sud za gorivo.
5. Pažljivo promešajte mešavinu goriva.



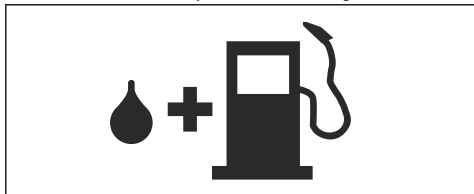
OPREZ: Ne pravite mešavinu za duže od 1 mesec unapred.

Punjenje rezervoara za gorivo



UPOZORENJE: Pratite postupak koji sledi radi vaše bezbednosti.

1. Zaustavite motor i pustite da se ohladi.
2. Obrišite deo oko čepa rezervoara za gorivo.



3. Promućkajte kantu i uverite se da se gorivo u potpunosti izmešalo.
4. Polako otvorite čep rezervoara za gorivo da biste izjednačili pritisak.
5. Napunite rezervoar za gorivo.



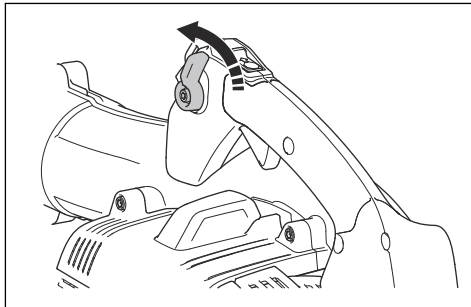
OPREZ: Uverite se da u rezervoaru nema previše goriva. Gorivo se širi kad se zagreje.

6. Pažljivo zategnite čep rezervoara za gorivo.
7. Obrišite gorivo koje je prosuto na i oko proizvoda.
8. Pomerite proizvod 3 m / 10 stopa ili dalje od mesta iz izvora dolivanja goriva pre pokretanja motora.

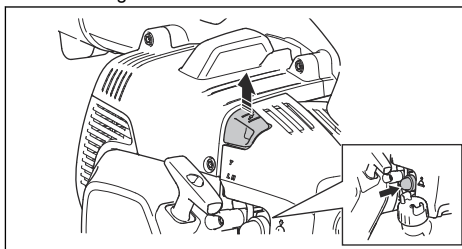
Napomena: Pogledajte *Uvod na stranici 348* da biste videli gde na proizvodu se nalazi rezervoar za gorivo.

Pokretanje proizvoda

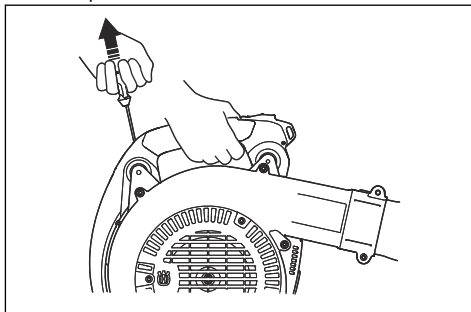
1. Pomerite komandu gasa u položaj praznog hoda.



2. Ako je motor hladan, stavite regulator čoka u položaj zatvorenog čoka.



3. Pritiskajte pumpu za izbacivanje vazduha dok gorivo ne počne da se ulazi u nju. Nije potrebno da se pumpa za vazduh potpuno napuni.
4. Položite proizvod na ravnu površinu.
5. Držite proizvod desnom rukom.



OPREZ: Nemojte da držite proizvod stopalima.

6. Lagano vucite uže startera dok ne osetite otpor.
7. Brzo povucite uže startera levom rukom. Povlačite uže startera dok se motor ne pokrene.

Napomena: Ne izvlačite uže startera do kraja i ne puštajte ručicu užeta startera.

8. Ako je motor hladan, stavite regulator čoka u položaj otvorenog čoka.
9. Ako je motor hladan, pustite ga da radi 2–3 minuta pre upotrebe, da bi se zagrejao.



UPOZORENJE: Kad je motor pokrenut i kad je proizvod postavljen u brzinu praznog hoda, izbacuje se vazduh. Ne dozvolite nikom da prilazi proizvodu ili cevi duvača.

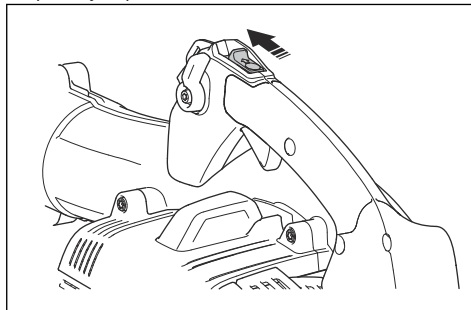
- Pokvasite prašnjave površine pre rada raspršivačem. To smanjuje vreme potrebno za rad.
- Posle rada odložite proizvod u uspravnom položaju.

Zaustavljanje motora



OPREZ: Ne zaustavljajte proizvod dok radi punom brzinom.

- Pomerite prekidač za uključivanje/zaustavljanje u položaj stop.



Rad sa proizvodom

- Koristite proizvod u uobičajeno radno vreme. Poštujte lokalne propise.
- Smanjite broj opreme koji se koristi i izaberite odgovarajuću brzinu za zadatak. Koristite gas na najslabijem prihvatljivom podešavanju da biste smanjili stvaranje nepotrebne buke i prašine.
- Mlaznica duvača treba da bude blizu tla.

Napomena: Husqvarna preporučuje da koristite najveći produžetak mlaznice duvača.

- Utvrdite smer vetra i koristite proizvod niz vetar.
- Za vađenje materijala iz tla koristite odgovarajuće baštenske alatke.

Održavanje

Uvod



UPOZORENJE: Pre održavanja proizvoda je potrebno da pročitate i razumete poglavlje o bezbednosti.

Šema održavanja

Održavanje	Dnevno	Nedeljno	Mesečno
Očistite spoljne površine.	X		
Proverite da li komanda gasa funkcioniše pravilno.	X		
Uverite se da prekidač za pokretanje/zaustavljanje pravilno radi. Pogledajte <i>Provera rada prekidača za pokretanje/zaustavljanje na stranici 351.</i>	X		
Pregledajte motor, rezervoar za gorivo i vodove za gorivo u pogledu curenja. Pregledajte da li postoji oštećenje na filteru za gorivo. Zamenite filter za vazduh ako je potrebno.	X		
Očistite filter za vazduh. Zamenite filter za vazduh ako je potrebno.	X		
Pritegnite navrtke i zavrtnje.	X		
Pregledajte usisnik vazduha da biste se uverili da nije zapušten.	X		
Pregledajte starter i uže startera u pogledu oštećenja.		X	
Proverite da li su jedinice za prigušivanje vibracija oštećene, naprsle ili deformisane. Uverite se da su jedinice za prigušivanje vibracija pravilno postavljene.		X	

Održavanje	Dnevno	Nedeljno	Mesečno
Proverite svećicu. Pogledajte <i>Pregled svećice na stranici 355.</i>		X	
Očistite sistem za hlađenje.		X	
Očistite spoljnu površinu karburatora i prostor oko njega.		X	
Očistite rezervoar za gorivo.			X
Pregledajte sve kablove i veze.			X
Pregledajte i očistite mrežicu hvatača varnica na prigušivaču (za proizvode bez katalizatora).		X	
Pregledajte i očistite mrežicu hvatača varnica na prigušivaču (za proizvode sa katalizatorom).			X
Zamenite svećicu. Uverite se da je postavljena zajedno sa prigušivačem.			X

Podešavanje brzine praznog hoda

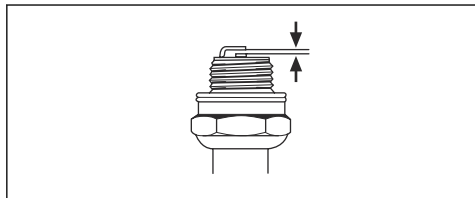
1. Uverite se da je filter za vazduh čist i da je poklopac filtera za vazduh postavljen.
2. Prilagodite brzinu praznog hoda pomoću zavrtnja za prazan hod. Pogledajte *Pregled proizvoda na stranici 348* da biste videli gde na proizvodu se nalazi zavrtnj za prazan hod.

Pregled svećice



OPREZ: Koristite preporučenu svećicu. Pogledajte *Pregled svećice na stranici 355.* Neodgovarajuća svećica može izazvati oštećenje proizvoda.

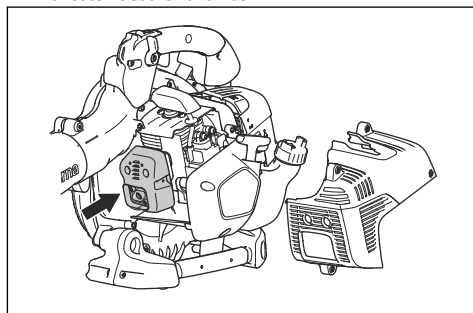
1. Zaustavite motor i sačekajte da se ohladi.
2. Očistite svećicu ako je zaprljana.
3. Uverite se da je zazor između elektroda odgovarajući. Pogledajte *Tehnički podaci na stranici 358.*



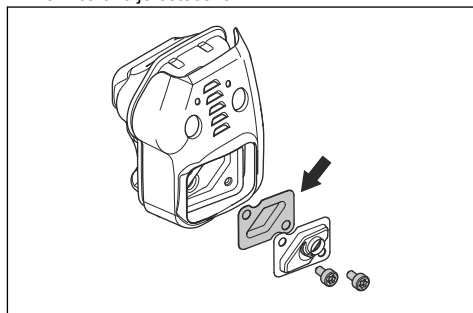
4. Menjajte svećicu mesečno ili češće ako je potrebno.

Održavanje prigušivača

1. Zaustavite motor i pustite da se prigušivač ohladi. Koristite zaštitne rukavice.



2. Uklonite poklopac prigušivača.
3. Pregledajte vizuelno. Zamenite mrežicu hvatača varnica ako je oštećena.



Pregled i čišćenje sistema za hlađenje

Sistem za hlađenje se sastoji od peraja za hlađenje na cilindru i usisnika vazduha.

1. Zaustavite motor.

- Uverite se da sistem za hlađenje nije prljav ili zapušten. Ako je potrebno, očistite mrežicu dovoda vazduha i rashladna peraja.



OPREZ: Prljav ili zapušten sistem za hlađenje će dovesti do rasta temperature motora, što može da ošteti proizvod. Zapušena mrežica dovoda vazduha smanjuje silu duvanja.

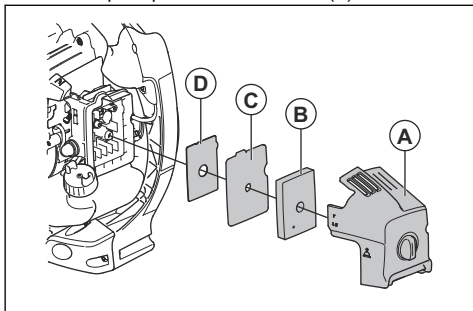
- Pregledajte ima li oštećenja na rashladnom sistemu. Uverite se da su delovi pravilno postavljeni na proizvod.

Čišćenje filtera za vazduh



OPREZ: Ne koristite proizvod bez filtera za vazduh ili sa prljavim filterom za vazduh. Prašina u vazduhu može da ošteti motor.

- Pomerite kontrolu čoka u položaj zatvorenog čoka.
- Uklonite poklopac filtera za vazduh (A).



- Uklonite filter za vazduh (B) iz kućišta filtera.
- Očistite filter za vazduh (B) toplom vodom i sapunom.

Napomena: Dugo korišćen filter za vazduh ne može da se potpuno očisti. Redovno menjajte filter za vazduh i uvek zamenite neispravan filter za vazduh.

- Očistite unutrašnju površinu poklopca filtera za vazduh (A) četkom.
- Izvadite i zamenite filcani filter (C) ako je prljav.
- Postavite mrežicu (D), filcani filter (C) i filter za vazduh (B).
- Postavite poklopac filtera za vazduh (A) na proizvod.

Rešavanje problema

Motor se ne pokreće		
Provera	Mogući uzrok	Rešenje
Dugme stop.	Položaj zaustavljanja	Postavite prekidač za zaustavljanje u položaj za pokretanje.
Startne kopče.	Blokirane ili pohačane startne kopče.	Podesite ili zamenite startne kopče.
		Očistite prostor oko startnih kopči.
		Obratite se ovlašćenom servisnom centru.
Rezervoar za gorivo.	Neispravn tip goriva.	Ispraznite rezervoar za gorivo i dopunite odgovarajućim gorivom.
Karburator.	Podešavanje brzine praznog hoda.	Prilagodite brzinu praznog hoda pomoću zavrtnja za podešavanje.

Motor se ne pokreće		
Provera	Mogući uzrok	Rešenje
Varničenje (nema varnica).	Svećica je zamašćena ili mokra.	Postarajte se da svećica bude suva i čista.
	Zazor elektroda svećice nije tačan.	Očistite svećicu. Uverite se da je zazor između elektroda odgovarajući. Postarajte se da svećica ima prigušivač.
		Informacije o tačnom zazoru elektroda potražite u tehničkim podacima.
Svećica.	Svećica je labava.	Zategnite svećicu.
	Na elektroda-ma svećice ima naslaga.	Uverite se da je mešavina dobro napravljena.
		Uverite se da je filter za vazduh čist.

Motor se pokreće, ali se opet zaustavlja		
Provera	Mogući uzrok	Rešenje
Rezervoar za gorivo.	Neispravni tip goriva.	Ispraznite ga i koristite odgovarajuće gorivo.
Karburator.	Motor ne radi ispravno u brzini praznog hoda.	Obratite se serviseru.
Filter za vazduh.	Filter za vazduh je zapušten.	Očistite filter za vazduh.

Transport i skladištenje



UPOZORENJE: Da biste sprečili opasnost od požara, uverite se da tokom transporta i skladištenja nema curenja i isparavanja goriva. Uverite se da nema opasnosti od varničenja i plamena.

- Čuvajte proizvod na suvom i čistom mestu sa dobrim protokom vazduha. Držite proizvod van domašaja dece.

- Ispraznite rezervoar za gorivo pre dugotrajnog skladištenja ili transporta. Pritisnite pumpu za vazduh da biste izbacili gorivo iz nje. Gorivo odbacujte na odgovarajućoj lokaciji za odbacivanje.
- Uverite se da je proizvod očišćen i da je urađen kompletan servis pre dugotrajnog skladištenja.
- Izvadite svećicu i sipajte približno 15 ml ulja za dvotaktne motore u cilindar. Okrenite proizvod 3 puta i vratite svećicu na mesto.
- Dobro pričvrstite proizvod za vozilo tokom transporta.

Tehnički podaci

Tehnički podaci

Husqvarna 525BX	
Motor	
Zapremina cilindra, cm ³	25,4
Brzina praznog hoda, o/min	3000
Katalizator	Da
Sistem paljenja	
Svećica	NGK BPMR8Y
Zazor elektroda, mm	0,6–0,7
Sistem za gorivo i podmazivanje	
Kapacitet rezervoara za gorivo, l / cm ³	0,45 / 450
Težina	
Težina bez goriva, kg	4,4
Emisija buke⁷⁶	
Nivo zvučne snage, mereno dB (A)	104
Nivo zvučne snage, garantovano L _{WA} dB (A)	106
Nivoi zvuka⁷⁷	
Ekvivalent nivoa pritiska zvuka na uho rukovaoca, mereno prema standardu EN15503 dB(A):	
Opremljen okruglom duvalicom	91
Opremljen ravnom duvalicom	92
Nivoi vibracije⁷⁸	
Ekvivalentni nivoi vibracija (a _{hV,eq}) na ručkama, mereni u skladu sa EN 15503, m/s ²	
Opremljen okruglom duvalicom	1,2
Opremljen ravnom duvalicom	2,0
Učinak ventilatora	
Maks. brzina vazduha s okruglom mlaznicom, m/s	70
Maks. brzina vazduha s ravnom mlaznicom, m/s	86
Protok vazduha sa okruglom mlaznicom, m ³ /min	13

⁷⁶ Emisije buke u životnoj sredini merene kao zvučna snaga (L_{WA}) u skladu sa direktivom 2000/14/EZ. Izmjeren je prijavljeni nivo zvučne snage za mašinu. Razlika između garantovanog i izmerenog nivoa zvučne snage je da garantovana zvučna snaga takođe obuhvata raspršenje rezultata merenja i razlike između različitih mašina istog modela u skladu sa Direktivom 2000/14/EZ.

⁷⁷ Prijavljeni podaci za nivo zvučnog pritiska imaju tipičnu statističku disperziju (standardna devijacija) od 1,0 dB (A).

⁷⁸ Podaci o nivou vibracije imaju tipičnu statističku disperziju (standardno odstupanje) od 1,0 m/s².

	Husqarna 525BX
Protok vazduha sa ravnom mlaznicom, m ³ /min	10

EZ deklaracija o usaglašenosti

EZ deklaracija o usaglašenosti

Husqvarna AB, SE-561 82 Huskvarna, Švedska, tel:
+46-36-146500, izjavljuje da su duvači **Husqvarna**
525BX serijskih brojeva od 2016 nadalje (serijski broj se
nalazi posle godine, koja je jasno označena na pločici
tipa) u skladu sa zahtevima DIREKTIVE VEĆA:

- od 17. maja 2006., „u vezi sa
mašinerijom“ **2006/42/EZ**.
- od 26. februara 2014., „koja se odnosi na
elektromagnetnu kompatibilnost“ **2014/30/EU**.
- od 8. maja 2000., „koja se odnosi na emisije buke u
okruženju“ **2000/14/EZ**. Ocenjivanje usaglašenosti u
skladu sa Aneksom V. Za informacije koje se odnose
na emisije buke, pogledajte poglavlje *Tehnički
podaci na stranici 358*.
- od 8. juna 2011., „o ograničenju upotrebe određenih
opasnih supstanci u električnoj i elektronskoj
opremi“ **2011/65/EU**.

Primenjeni su sledeći standardi:

EN ISO 12100-2/A1:2009, CISPR 12:2009, EN
15503:2009/A2:2015, EN 50581:2012

RISE SMP Svensk Maskinprovning AB, je izvršio
volonterski pregled tipa u ime kompanije Husqvarna AB.
Sertifikat nosi broj: **SEC/14/2423** – 525BX

Huskvarna, 2020-01-01



Per Gustafsson, Menadžer razvoja (Ovlašćeni
predstavnik kompanije Husqvarna AB i odgovorna
osoba za tehničku dokumentaciju)

Innehåll

Introduktion.....	361	Felsökning.....	369
Säkerhet.....	362	Transport och förvaring.....	370
Montering.....	364	Tekniska data.....	371
Drift.....	365	EG-försäkran om överensstämmelse.....	373
Underhåll.....	367		

Introduktion

Produktbeskrivning

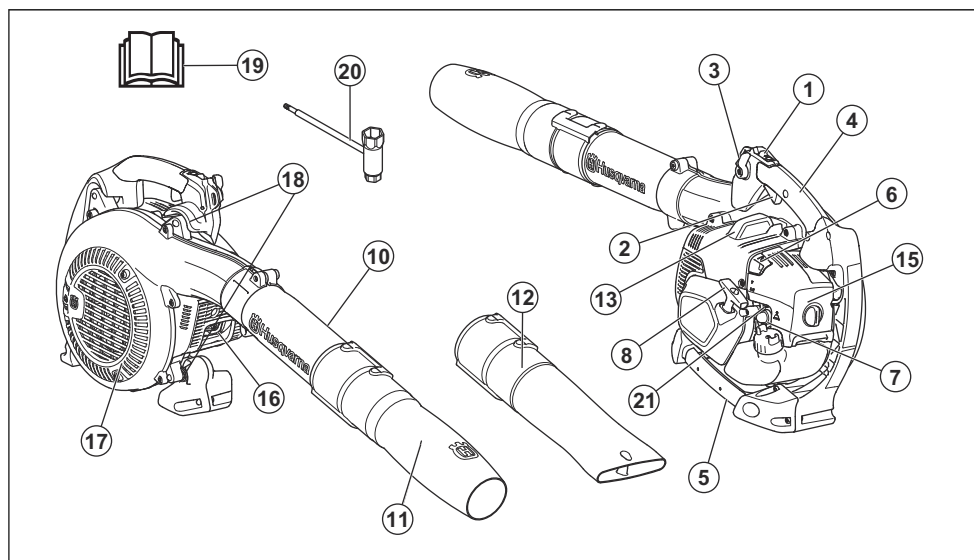
Produkten är en blåsare med bränslemotor.

Vi arbetar ständigt med att vidareutveckla våra produkter och förbehåller oss därför rätten till ändringar beträffande bl.a. form och utseende utan föregående meddelande.

Avsedd användning

Använd produkten för att blåsa löv och annat oönskat material från områden som gräsmattor, gångar och asfaltsvägar.

Produktöversikt



1. Start/stopp-kontakt
2. Gasreglage
3. Gasreglage
4. Reglagehandtag
5. Handtag
6. Chokereglage
7. Bränslepump
8. Startsnörets handtag
9. Klämskruv
10. Mellanrör

11. Runt munstycke
12. Platt munstycke
13. Tändstift
14. Bränsletankslock
15. Luftfilter
16. Ljuddämpare
17. Luftintagsnät
18. Avvibreringssystem
19. Bruksanvisning
20. Kombinyckel

Symboler på produkten



WARNING! Den här produkten kan vara farlig och kan orsaka allvarlig eller livshotande skada för användaren och andra. Var försiktig och använd produkten på rätt sätt.



Läs igenom bruksanvisningen noggrant och se till att du förstår instruktionerna innan användning.



Använd godkända hörselskydd och godkända ögonskydd. Om det är dammig ska du använda en andningsmask.



Använd godkända skyddshandskar.



Den här produkten överensstämmer med gällande EG-direktiv.



Blandning av bensen och tvåtaktsolja.



Bränslepumpblåsa.



Choke, öppet läge.



Choke, stängt läge.



Emission av buller i miljön enligt EU-direktiv 2000/14/EC och New South

Wales "Protection of the Environment Operations (Noise Control) Regulation 2017". Information om bulleremission finns på maskinens etikett och i avsnittet Tekniska data.



Håll koll på utslungade föremål. Utslungade föremål kan orsaka allvarlig skada. Använd personlig skyddsutrustning.



Håll ett säkerhetsavstånd på minst 15 m till personer och djur.

ååååvxxxx

Typskylten visar serienumret. **yyyy** är produktionsåret och **ww** är produktionsveckan.

Notera: Övriga symboler/dekaler på produkten avser specifika krav för certifieringar på andra kommersiella marknader.

Euro V-utsläpp



WARNING: Manipulering av motorn upphäver EG-typgodkännandet för den här produkten.

Produktansvar

Enligt lagstiftningen för produktansvar ansvarar vi inte för skador som vår produkt orsakar om:

- produkten repareras felaktigt
- produkten repareras med delar som inte kommer från tillverkaren eller inte har godkänts av tillverkaren
- produkten har ett tillbehör som inte kommer från tillverkaren eller inte har godkänts av tillverkaren
- produkten inte repareras vid ett godkänt servicecenter eller av en godkänd person.

Säkerhet

Säkerhetsdefinitioner

Definitionerna nedan beskriver allvarlighetsgraden för varje signalord.



WARNING: Personskador.



OBSERVERA: Skador på produkten.

Notera: Denna information gör produkten lättare att använda.

Allmänna säkerhetsanvisningar



VARNING: Läs varningsinstruktionerna nedan innan du använder produkten.

- Gör inga ändringar på produkten utan tillverkarens godkännande och använd alltid originaltillbehör. Modificeringar och/eller tillbehör som inte är godkända kan leda till allvarliga personskador eller dödsfall för användaren eller andra.
- Använd inte en skadad produkt. Utför säkerhetskontroller och underhåll enligt den här bruksanvisningen. Allt annat underhåll måste utföras av godkänd servicepersonal.
- Allt service- och reparationsarbete måste utföras av godkänd servicepersonal. Om en del av produkten är defekt ska du kontakta en serviceverkstad.

Säkerhetsinstruktioner för drift



VARNING: Läs varningsinstruktionerna nedan innan du använder produkten.

- Den här produkten kan vara farlig och kan orsaka allvarlig eller livshotande skada för användaren och andra. Var försiktig och använd produkten på rätt sätt.
- Inspektera produkten före användning. Se *Underhåll på sida 367*.
- Använd aldrig produkten om du är trött, sjuk eller påverkad av alkohol, droger eller läkemedel som kan försämra din syn, ditt omdöme och din kroppskontroll.
- Montera alla kåpor och skydd före användning. Förhindra elektriska stötar genom att se till att tändhatten och tändkabeln inte är skadade.
- Vidrör inte tändstiftet eller tändkabeln när motorn är igång.
- Håll ett säkerhetsavstånd på minst 15 m till personer och djur. Stoppa produkten om personer, barn eller djur kommer närmare än 15 m. Rikta produkten bort från personer, djur, öppna fönster och andra föremål.
- Låt inte barn använda produkten. Se till att alla användare läser och förstår innehållet i denna bruksanvisning.
- Håll händer och andra föremål borta från fläkthuset under drift. Roterande delar kan orsaka allvarlig skada.
- Använd inte produkten om luftintagnsätet inte är installerat. Se till att luftintagnsätet är installerat och att det inte är skadat före användning.
- Om en nödsituation uppstår ska du lossa selens midjebälte och bröstbälte och låta produkten falla ned.
- Följ nationella bestämmelser och direktiv.
- Håll alla kroppsdelar borta från varma ytor.

- För mycket vibrationer kan orsaka skador på blodcirkulationen eller nervsystemet. Prata med läkare om du upplever symptom, t.ex. domningar, avsaknad av känsla, kittlingar, stickningar, smärta, avsaknad av styrka eller förändringar i hudens färg på fingrar, händer eller handleder.
- Håll koll på utslungade föremål. Utslungade föremål kan orsaka allvarlig skada.
- Använd inte produkten i dåligt väder, t.ex. dimma, regn, hård vind och stark kyla. Arbete i dåligt väder kan orsaka trötthet och farliga förhållanden.
- Se till att du kan röra dig och arbeta i en stabil position. Titta i arbetsområdet efter eventuella hinder, t.ex. stenar. Var försiktig om du använder produkten i en sluttning.
- Ställ inte produkten på marken när motorn är igång.
- Använd inte produkten från höga positioner, t.ex. på en stege.
- Se till att du alltid kan göra dig hörd om en olycka inträffar.
- Se till att avgasutloppet inte är blockerat. För att förhindra skador på produkten ska du hålla ett avstånd på minst 50 cm från avgasutloppet och eventuella hinder.
- Starta inte produkten inomhus, vid dåligt luftflöde eller nära brandfarligt material. Tänk på att motorns avgaser innehåller kolmonoxid som kan orsaka kolmonoxidförgiftning. Motorns avgaser är heta och kan medföra gnistor som kan orsaka brand.

Personlig skyddsutrustning



VARNING: Läs varningsinstruktionerna nedan innan du använder produkten.

- Använd godkänd personlig skyddsutrustning när du använder produkten. Personlig skyddsutrustning kan inte eliminera skaderisken helt, men den kan minska effekten av eventuella skador. Prata med din återförsäljare för mer information.
- Använd godkända hörselskydd. Långvarig exponering för buller kan ge bestående hörselskador.
- Använd godkänt ögonskydd. Används visir måste även godkända skyddsglasögon användas. Godkända skyddsglasögon måste uppfylla standarden ANSI Z87.1 i USA eller SS-EN 166 i EU-länder.
- Använd skyddshandskar vid drift och underhåll.
- Använd skyddsstövlar eller skor med halkfri sula.
- Använd hellånga kläder i slitstarkt material. Använd inte smycken eller öppna skor. För att minska risken för skador måste kläderna vara åtsittande, men de ska inte begränsa dina rörelser. Sätt upp håret ovanför axlarna för att förhindra att håret dras in i roterande delar eller fastnar i grenar.
- Använd andningskydd när det finns risk för damm.
- Ha första förband nära till hands.

Säkerhetsanordningar på produkten



VARNING: Läs varningsinstruktionerna nedan innan du använder produkten.

- Använd inte en produkt med defekta säkerhetsanordningar.
- Kontrollera säkerhetsanordningarna regelbundet. Se *Underhåll på sida 367*.
- Om säkerhetsanordningarna är defekta ska du prata med en Husqvarna-serviceverkstad.

Kontrollera ljuddämparen



VARNING: Använd inte en produkt med defekt ljuddämpare.



VARNING: Ljuddämparen blir mycket het under och efter drift, samt vid tomgångsvarvtal. Använd skyddshandskar för att förhindra brännskador.



VARNING: Ljuddämparens insida innehåller kemikalier som kan vara cancerframkallande. Rör inte ljuddämparen om den är skadad.

- Kontrollera regelbundet ljuddämparen visuellt. Ljuddämparen håller ljudnivån till ett minimum och leder bort motorens avgaser från användaren. Se *Underhåll av ljuddämparen på sida 368*.

Kontrollera avvibreringssystemet

1. Se till att det inte finns några sprickor eller deformationer på avvibreringselementen.
2. Se till att avvibreringselementen sitter fast ordentligt på motorenheten och handtagsenheten.

Se *Produktöversikt på sida 361* för information om var avvibreringssystemet finns på din produkt.

Kontrollera start-/stoppbrytaren

1. Använd start-/stoppbrytaren för att stoppa motorn.

2. Se till att motorn stannar helt.

Information om var start-/stoppbrytaren är på produkten finns i *Produktöversikt på sida 361*.

Bränslesäkerhet



VARNING: Läs varningsinstruktionerna nedan innan du använder produkten.

- Blanda inte och fyll inte på bränsle inomhus eller nära en värmekälla.
- Starta inte produkten om det finns bränsle eller olja på produkten eller på din kropp.
- Starta inte produkten om motorn har bränsleläckage. Undersök regelbundet om det läcker bränsle från motorn.
- Var alltid försiktig med bränsle. Bränsle är brandfarligt och bränsleångorna är explosiva och kan orsaka allvarliga personskador eller dödsfall.
- Undvik att andas in bränsleångor då det kan orsaka personskador. Se till att det finns tillräckligt luftflöde.
- Rök inte i närheten av bränslet eller motorn.
- Placera inte produkten eller bränslebehållaren nära varma föremål, öppen låga, en gnista eller en tändlåga.
- Använd alltid godkända behållare för transport och förvaring av bränsle.

Säkerhetsinstruktioner för underhåll



VARNING: Läs varningsinstruktionerna nedan innan du använder produkten.

- Stoppa motorn, ta bort tändstiftet och låt motorn svalna före underhåll och montering.
- Ett blockerat gnistskydd gör att motorn blir för varm, vilket kan leda till skador på motorn.
- Om gnistskyddet ofta är igensatt kan det vara ett tecken på att katalysatorns funktion är nedsatt. Kontakta din serviceverkstad om ljuddämparen behöver ses över.

Montering

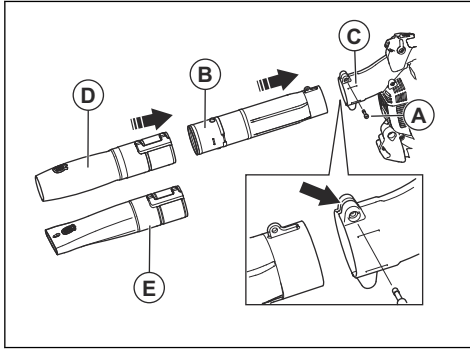
Introduktion



VARNING: Läs och förstå säkerhetskapitlet innan du monterar produkten.

Montera blåsaröret

1. Lossa klämskruven (A).



2. Montera mellanöret (B) på blåsaröret (C).
3. Montera och dra åt klämskruven (A).
4. Montera det runda munstycket (D) eller det platta munstycket (E) på mellanöret.

Drift

Introduktion



VARNING: Läs och förstå säkerhetskapitlet innan du använder produkten.

Bränsle

Denna produkt har en tvåtaktsmotor.



OBSERVERA: Motorn kan skadas om du fyller på med fel typ av bränsle. Använd en blandning av bensen och tvåtaktsolja.

Förblandat bränsle

- Använd förblandat alkylatbränsle från Husqvarna för bästa prestanda och förlängning av motorns livslängd. Det här bränslet innehåller mindre skadliga kemikalier jämfört med vanligt bränsle, vilket minskar de skadliga avgaserna. Mängden rester som finns kvar efter förbränning är lägre med detta bränsle, vilket håller komponenterna i motorn renare.

Blanda bränsle

Bensin

- Använd blyfri bensin av bra kvalitet med högst 10 % etanolhalt.



OBSERVERA: Använd inte bensin med ett oktantal lägre än 90 RON/87 AKI. Ett lägre oktantal kan orsaka motorknackning, vilket leder till motorskador.

Tvåtaktsolja

- För bästa resultat och funktion ska du använda tvåtaktsolja från Husqvarna.
- Om tvåtaktsolja från Husqvarna inte finns tillgänglig kan du använda en annan tvåtaktsolja av hög kvalitet för luftkylda motorer. Tala med en serviceverkstad för att välja rätt olja.



OBSERVERA: Använd inte tvåtaktsolja för vattenkylda utombordsmotorer, s.k. outboardoil. Använd inte olja avsedd för fyrtaktsmotorer.

Blanda bensen och tvåtaktsolja

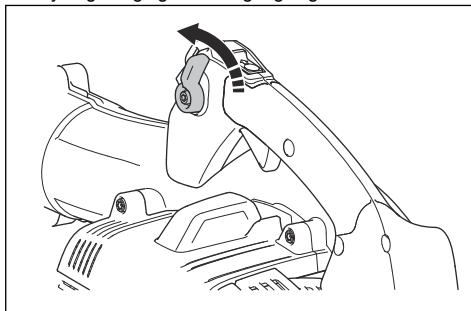
Bensin, liter	Tvåtaktsolja, liter
	2 % (50:1)
5	0,10
10	0,20
15	0,30
20	0,40



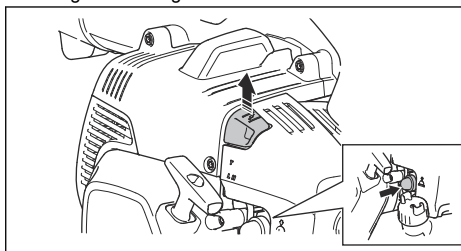
OBSERVERA: Små fel kan påverka blandningsförhållandet drastiskt när du blandar små mängder bränsle. Mät noga mängden olja för att se till att du får rätt blandning.

Starta produkten

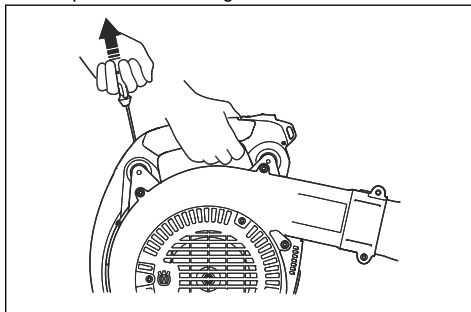
1. Flytta gasreglaget till tomgångsläget.



2. Om motorn är kall för du chokereglaget till det stängda chokeläget.

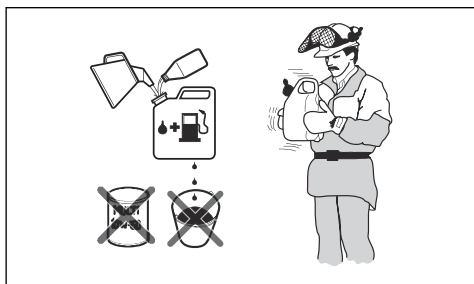


3. Tryck på bränslepumpblåsan upprepade gånger tills bränslet börjar fyllas på i den. Det är inte nödvändigt att fylla bränslepumpblåsan helt.
4. Placera produkten på en plan yta på marken.
5. Håll produkten med höger hand.



OBSERVERA: Använd inte fötterna för att hålla fast produkten.

6. Dra långsamt i startsnörets handtag tills du känner ett motstånd.
7. Dra snabbt i startsnörets handtag med vänster hand. Dra upprepade gånger i startsnörets handtag tills motorn startar.



1. Fyll halva mängden bensin i en ren behållare för bränsle.
2. Tillsätt all olja.
3. Skaka bränsleblandningen.
4. Fyll i återstående mängd bensin i behållaren.
5. Skaka omsorgsfullt bränsleblandningen.



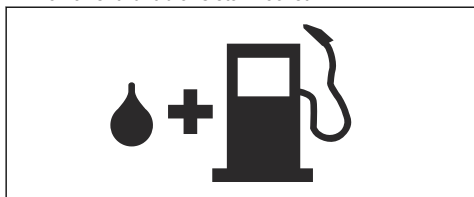
OBSERVERA: Blanda inte bränsle för mer än en månad i taget.

Fylla på bränsletanken



VARNING: Följ nedanstående procedur för din säkerhet.

1. Stanna motorn och vänta tills den har svalnat.
2. Torka rent runt bränsletanklocket.



3. Skaka behållaren och kontrollera att bränslet är helt blandat.
4. Ta bort tanklocket långsamt för att släppa på trycket.
5. Fyll bränsletanken.



OBSERVERA: Kontrollera att det inte finns för mycket bränsle i bränsletanken. Bränslet expanderar när det blir varmt.

6. Dra åt bränsletanklocket ordentligt.
7. Torka upp bränslespill på och runt produkten.
8. Flytta produkten minst tre meter bort från tankningsplatsen och bränsledepån innan du startar motorn.

Notera: Information om var bränsletanken sitter på produkten finner du i *Introduktion på sida 361*.

Notera: Dra inte ut startsnörets handtag helt och släpp inte heller startsnörets handtag.

- Om motorn är kall för du chokereglaget till öppet läge.
- Om motorn är kall låter du den gå i två till tre minuter så att den blir varm innan den används.



VARNING: Luft släpps ut när motorn startas och produkten ställs in på tomgång. Låt inte någon komma i närheten av produkten eller blåsarröret.

Använda produkten

- Använd produkten vid normal arbetstid. Följ lokala bestämmelser.
- Begränsa antalet utrustningsdelar och välj rätt varvtal för uppgiften. Använd gasreglaget i lägsta möjliga läge för att undvika mer buller och damm än nödvändigt.
- Håll blåsarmunstycket nära marken.

Notera: Husqvarna rekommenderar att du använder en komplett förlängning av blåsarmunstycket.

- Notera vindriktningen och manövrera produkten i vindriktningen.

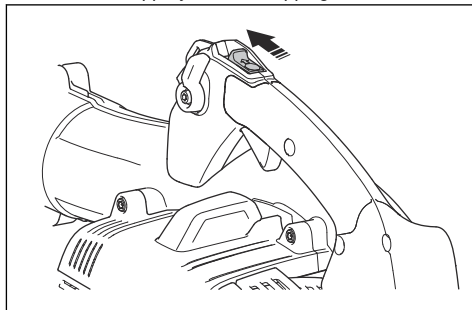
- Använd lämpliga trädgårdsredskap för att få bort material från marken.
- I dammiga områden ska du använda sprututrustning för att fukta området. Detta minskar arbetstiden.
- Efter användning ska produkten förvaras vertikalt.

Stänga av motorn



OBSERVERA: Stoppa inte produkten med fullt varvtal.

- För start-/stoppbrytaren till stoppläget.



Underhåll

Introduktion



VARNING: Läs och förstå säkerhetskapitlet innan du utför underhåll på produkten.

Underhållsschema

Underhåll	Dagligen	Varje vecka	Varje månad
Rengör utvändiga ytor.	X		
Se till att gasreglaget fungerar som det ska.	X		
Se till att start-/stoppbrytaren fungerar som den ska. Se <i>Kontrollera start-/stoppbrytaren på sida 364</i> .	X		
Undersök om motorn, bränsletanken och bränsleledningarna läcker. Undersök bränslefiltret avseende smuts. Byt ut bränslefiltret om det behövs.	X		
Rengör luftfiltret. Byt ut luftfiltret vid behov.	X		
Dra åt muttrar och skruvar.	X		
Undersök luftintaget och se till att det inte är igensatt.	X		
Undersök om startmotorn och startsnöre är skadade.		X	
Undersök om avvibreringselementen har skador, sprickor eller deformationer. Kontrollera att avvibreringselementen är korrekt monterade.		X	

Underhåll	Dagligen	Varje vecka	Varje månad
Undersök tändstiftet. Se <i>Kontrollera tändstiftet på sida 368.</i>		X	
Rengör kylsystemet.		X	
Rengör förgasarens utsida och området runt denna.		X	
Rengör bränsletanken.			X
Undersök alla kablar och anslutningar.			X
Undersök och rengör ljuddämparens gnistskydd (för produkter utan katalysator).		X	
Undersök och rengör ljuddämparens gnistskydd (för produkter med katalysator).			X
Byt ut tändstiftet. Se till att det har en dämpare.			X

Så justerar du tomgångsvarvtalet

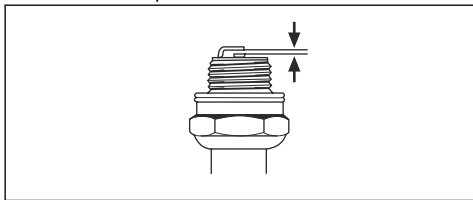
1. Se till att luftfiltret är rent och att luftfilterkåpan är monterad.
2. Justera tomgångsvarvtalet med hjälp av tomgångsskruven. Information om var tomgångsskruven sitter på produkten finns i *Produktöversikt på sida 361.*

Kontrollera tändstiftet



OBSERVERA: Använd det rekommenderade tändstiftet. Se *Kontrollera tändstiftet på sida 368.* Ett felaktigt tändstift kan skada produkten.

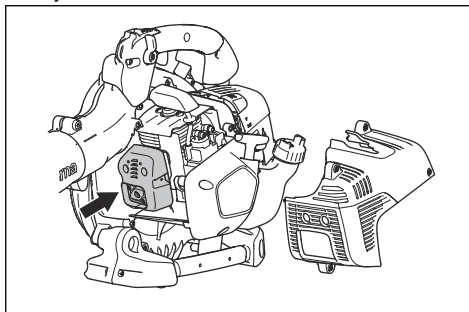
1. Stoppa motorn och låt produkten svalna.
2. Rengör tändstiftet om det är smutsigt.
3. Kontrollera att elektrodavståndet är korrekt. Se *Tekniska data på sida 371.*



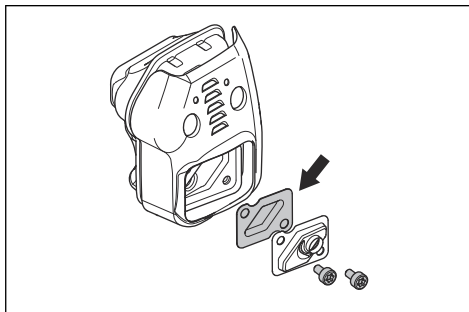
4. Byt ut tändstiftet varje månad eller oftare om det behövs.

Underhåll av ljuddämparen

1. Stanna motorn och låt ljuddämparen svalna. Använd skyddshandskar.



2. Ta bort ljuddämparens kåpa.
3. Gör en visuell kontroll. Byt ut gnistskyddet om det är skadat.



Inspektera och rengöra kylsystemet

Kylsystemet innefattar kylflänsarna på cylindern och luftintagsnätet.

1. Stoppa motorn.

2. Se till att kylsystemet inte är smutsigt eller igensatt. Rengör luftintagnätet och kylflänsarna om det behövs.



OBSERVERA: Ett smutsigt eller igensatt kylsystem kan leda till ökad temperatur i motorn med skador på produkten som följd. Ett igensatt luftintagnät minskar blåskraften.

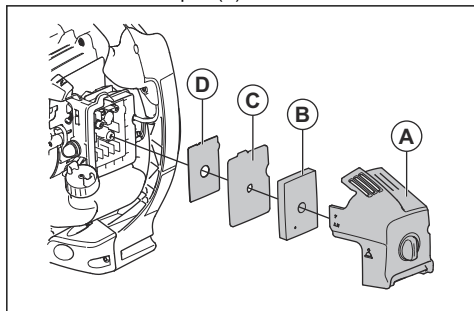
3. Undersök om kylsystemet är skadat. Se till att delarna fästs korrekt på produkten.

Rengöra luftfiltret



OBSERVERA: Använd inte en produkt utan luftfilter eller med ett skadat luftfilter. Damm i luften kan skada motorn.

1. För chokereglaget till stängt chokeläge.
2. Ta bort luftfilterkåpan (A).



3. Ta bort luftfiltret (B) från filterramen.
4. Rengör luftfiltret (B) med varmt vatten och tvål.

Notera: Ett luftfilter som använts länge kan inte bli helt rent. Byt ut luftfiltret regelbundet och byt alltid ut ett defekt luftfilter.

5. Rengör den inre ytan av luftfilterkåpan (A) med en borste.
6. Ta bort och byt filtret (C) om det är smutsigt.
7. Montera skyddet (D), filtret (C) och luftfiltret (B).
8. Montera luftfilterkåpan (A) på produkten.

Felsökning

Det går inte att starta motorn		
Kontrollera	Möjlig orsak	Lösning
Stoppknapp.	Stoppläge	Ställ stoppknappen i startläget.
Starthakar.	Blockerade eller slitna starthakar.	Justera eller byt ut starthakarna.
		Rengör runt starthakarna.
		Kontakta en godkänd serviceverkstad.
Bränsletank.	Fel bränsle påfyllt.	Töm bränsletanken och använd rätt bränsle.
Förgasare.	Fel tomgångsvarvtal.	Justera tomgångsvarvtalet med justerskruven för tomgång.

Det går inte att starta motorn		
Kontrollera	Möjlig orsak	Lösning
Tändstift (ingen gnista).	Tändstiftet är smutsigt eller vått.	Se till att tändstiftet är torrt och rent.
	Elektroдавståndet på tändstiftet är felaktigt.	Rengör tändstiftet. Kontrollera att elektroдавståndet är korrekt. Se till att tändstiftet har en dämpare. Se tekniska data för korrekt elektroдавstånd.
Tändstift.	Tändstiftet sitter löst.	Dra åt tändstiftet.
	Det finns oönskat material på tändstiftselektrodena.	Se till att bränsleblandningen är korrekt. Se till att luftfiltret är rent.

Motorn startar men stannar igen		
Kontrollera	Möjlig orsak	Lösning
Bränsletank.	Fel bränsle påfyllt.	Töm den och använd rätt bränsle.
Förgasare.	Motorn fungerar inte som den ska på tomgång.	Vänd dig till en serviceverkstad.
Luftfilter.	Igensatt luftfilter.	Rengör luftfiltret.

Transport och förvaring



VARNING: Undvik brandrisk genom att se till att det inte förekommer läckage eller ångor under transport eller förvaring. Se till att det inte finns någon risk för gnistor eller brand.

- Töm bränsletanken före transport eller långtidsförvaring. Tryck på bränslepumpblåsan för att se till att allt bränsle är tomt. Kassera bränslet på lämplig anvisad plats.
- Se till att produkten är ren och att fullständig service är utförd före en längre tids förvaring.
- Ta bort tändstiftet och håll ungefär 15 ml tvåttaktolja i cylindern. Vänd produkten tre gånger och sätt tillbaka tändstiftet.
- Se till att produkten är säkert fastsatt på fordonet under transport.
- Förvara produkten på en torr, sval och ren plats med bra luftflöde. Håll produkten utom räckhåll för barn.

Tekniska data

Tekniska data

	Husqvarna 525BX
Motor	
Cylindervolym, cm ³	25,4
Tomgångsvarvtal, varv/min	3 000
Katalysator	Ja
Tändsystem	
Tändstift	NGK BPMR8Y
Elektrodavstånd, mm	0,6–0,7
Bränsle-/smörjsystem	
Bränsletankvolym, l / cm ³	0,45 / 450
Vikt	
Vikt, utan bränsle, kg	4,4
Bulleremissioner⁷⁹	
Ljudeffektnivå, uppmätt dB(A)	104
Ljudeffektnivå, garanterad L _{WA} dB(A)	106
Ljudnivåer⁸⁰	
Ekvivalent ljudtrycksnivå vid användarens öra, mätt enligt EN 15503, dB(A):	
Utrustad med runt munstycke	91
Utrustad med platt munstycke	92
Vibrationsnivåer⁸¹	
Vibrationsnivåer (a _{hv,eq}) i handtag, uppmätt enligt EN 15503, m/s ²	
Utrustad med runt munstycke	1,2
Utrustad med platt munstycke	2,0
Fläktprestanda	
Maximal lufthastighet med runt munstycke, m/s	70
Maximal lufthastighet med platt munstycke, m/s	86
Luftflöde med runt munstycke, m ³ /min	13

⁷⁹ Emission av buller till omgivningen uppmätt som ljudeffekt (L_{WA}) enligt EG-direktiv 2000/14/EG. Rapporterad ljudeffektnivå för maskinen har uppmätts med den originalmunstycke som ger den högsta nivån. Skillnaden mellan garanterad och uppmätt ljudeffekt är att den garanterade ljudeffekten också inkluderar spridning i märesultatet och variationen mellan olika maskiner av samma modell enligt direktiv 2000/14/EG.

⁸⁰ Redovisade data för ljudtrycksnivå har ett typiskt spridningsmått (standardavvikelse) på 1,0 dB(A).

⁸¹ Rapporterade data för vibrationsnivå har en typisk statistisk spridning (standardavvikelse) på 1,0 m/s².

	Husqvarna 525BX
Luftflöde med platt munstycke, m ³ /min	10

EG-försäkran om överensstämmelse

EG-försäkran om överensstämmelse

Husqvarna AB, 561 82 Huskvarna, Sverige, tel:

+46-36-146500, försäkrar härmed att blåsaren

Husqvarna 525BX med serienummer från 2016 och

framåt (året anges tydligt på typskylten, följt av

serienumret) motsvarar föreskrifterna i RÅDETS

DIREKTIV:

- av den 17 maj 2006 "angående maskiner" **2006/42/EG**
- av den 26 februari 2014 "angående elektromagnetisk kompatibilitet" **2014/30/EU**
- av den 8 maj 2000 "angående emission av buller i miljön" **2000/14/EG** Bedömning av överensstämmelse enligt bilaga V. För information angående bulleremissionerna, se *Tekniska data på sida 371*.
- av den 8 juni 2011 angående "begränsning av användning av vissa farliga ämnen i elektrisk och elektronisk utrustning" **2011/65/EU**

Följande standarder har tillämpats:

EN ISO 12100-2/A1:2009, CISPR 12:2009, EN

15503:2009/A2:2015, EN 50581:2012

RISE SMP Svensk Maskinprovning AB, har utfört frivillig

typkontroll på uppdrag av Husqvarna AB. Certifikatet har

nummer **SEC/14/2423** – 525BX

Huskvarna, 2020-01-01



Per Gustafsson, utvecklingschef (auktoriserad representant för Husqvarna AB samt ansvarig för tekniskt underlag)

İçindekiler

Giriş.....	374	Sorun giderme.....	382
Güvenlik.....	375	Taşıma ve saklama.....	383
Montaj.....	378	Teknik veriler.....	384
Kullanım.....	378	AT Uyumluluk Bildirimi.....	386
Bakım.....	380		

Giriş

Ürün açıklaması

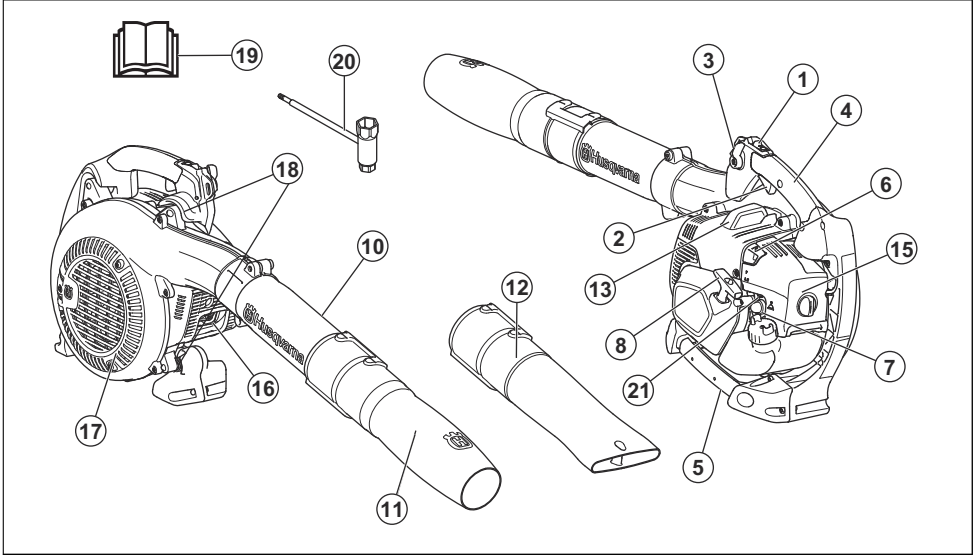
Bu ürün, yakıt motorlu bir üfleycidir.

Sürekli bir ürün geliştirme politikasına sahibiz ve dolayısıyla önceden bildirimde bulunmaksızın ürünlerin tasarımı ve görünümünde değişiklikler yapma hakkını saklı tutarız.

Kullanım amacı

Ürünü çimenlik alan, patika ve asfalt yollar gibi alanlardaki yaprakları ve diğer istenmeyen malzemeleri üflemek için kullanın.

Ürüne genel bakış



1. Çalıştırma/durdurma anahtarı
2. Gaz tetiği
3. Gaz kontrolü
4. Kontrol kolu
5. Tutma yeri
6. Jikle kontrolü
7. Hava alma haznesi
8. Çalıştırma ipi kolu
9. Kelepçe vidası
10. Ara boru
11. Yuvarlak uç
12. Yassı uç
13. Buji
14. Yakıt tankı kapağı
15. Hava filtresi
16. Susturucu
17. Hava giriş bölmesi
18. Titreşim azaltma sistemi
19. Kullanım kılavuzu
20. Kombine anahtar

Ürün üzerindeki semboller



UYARI! Bu ürün, tehlikeli olabilir ve operatör ya da başkaları açısından ciddi yaralanmalara veya ölüme neden olabilir. Dikkatli olun ve ürünü doğru kullanın.



Kullanım kılavuzunu dikkatle okuyun ve kullanımdan önce talimatları anladığınızdan emin olun.



Onaylı kulak koruma ekipmanı ve onaylı koruyucu gözlük kullanın. Ortamda toz varsa solunum maskesi kullanın.



Onaylı koruyucu eldiven kullanın.



Bu ürün yürürlükteki AB Direktiflerine uygundur.



Benzin ve iki zamanlı yağ karışımı.



Yakıt pompası diyaframı haznesi.



Jikle, açık konumu.



Jikle, kapalı konumu.



Avrupa Direktifi 2000/14/AT ve Yeni Güney Galler mevzuatı "Çevre Koruma Operasyonları (Gürültü Kontrolü)

Yönetmeliği 2017" uyarınca çevreye yayılan gürültü emisyonu. Gürültü emisyonu verileri makine etiketinde ve Teknik veriler bölümünde bulunabilir.



Savrulabilecek nesnelere karşı dikkatli olun. Fırlayan nesnelere ciddi yaralanmalara neden olabilir. Kişisel koruyucu ekipmanlar kullanın.



İnsan veya hayvanlarla aranızda en az 15 m'lik bir güvenlik mesafesi bırakın.

Nominal değerler plakası seri numarasını gösterir. **yyyy** üretim yılı, **hh** ise üretim haftasıdır.

yyyyhhxxxx

Not: Ürünün üzerindeki diğer semboller/etiketler, diğer ticari alanların sertifikalandırma gereklilikleri ile ilgilidir.

Avrupa V Emisyonları



UYARI: Motorun kurcalanması bu ürünün AB tip onayını geçersiz kılar.

Ürün sorumluluğu

Ürün sorumluluğu yasalarında belirtildiği üzere;

- ürünün hatalı bir şekilde onarılması,
- ürünün, üretici tarafından onaylanmayan veya üreticiden alınmayan parçalarla tamir edilmesi,
- üründe, üreticiden alınmayan veya üretici tarafından onaylanmayan bir aksesuar bulunması,
- ve ürünün, onaylı bir servis merkezinde veya yetkili bir kurum tarafından tamir edilmemesi durumunda oluşabilecek hasarlardan sorumlu değildir.

Güvenlik

Güvenlik tanımları

Aşağıdaki tanımlar, her bir sinyal kelimesinin önem derecesini belirtir.



UYARI: Yaralanma tehlikesi.



DİKKAT: Ürünün hasar görme tehlikesi.

Not: Bu bilgiler, ürünün kullanımını kolaylaştırır.

Genel güvenlik talimatları



UYARI: Ürünü kullanmadan önce aşağıdaki uyarı talimatlarını okuyun.

- Üreticinin onayı olmadan üründe değişiklik yapmayın ve her zaman orijinal aksesuarları kullanın. Onaylanmayan değişiklikler ve/veya aksesuarlar, operatörün veya diğer kişilerin ciddi şekilde yaralanmasına veya ölümüne neden olabilir.
- Hasarlı ürünü kullanmayın. Bu kullanım kılavuzunda belirtilen emniyet kontrollerini ve bakımları gerçekleştirin. Diğer tüm bakım işlemleri, yetkili servis personeli tarafından yapılmalıdır.
- Tüm servis ve onarım işlemleri yetkili servis personeli tarafından gerçekleştirilmelidir. Ürünün bir parçası kusurluysa servis bayinizle görüşün.

Kullanım için güvenlik talimatları



UYARI: Ürünü kullanmadan önce aşağıdaki uyarı talimatlarını okuyun.

- Bu ürün, tehlikeli olabilir ve operatör ya da başkaları açısından ciddi yaralanmalara veya ölüme neden olabilir. Dikkatli olun ve ürünü doğru kullanın.
- Kullanmadan önce ürünü kontrol edin. Bkz. *Bakım sayfa: 380*.
- Ürünü yorgunken, hastayken veya görüşünüzü, dikkatinizi ve koordinasyonunuzu etkileyebilecek alkol ya da diğer uyuşturucu maddelerin etkisi altındayken kullanmayın.
- Kullanmadan önce tüm kapakları ve siperlikleri takın. Elektrik çarpmasını önlemek için buji kapağının ve ateşleme kablosunun hasar görmediğinden emin olun.
- Motor açıkken bujiye veya ateşleme kablosuna dokunmayın.
- İnsan veya hayvanlarla aranızda en az 15 m'lik bir güvenlik mesafesi bırakın. İnsanlar, çocuklar veya hayvanlar 15 m'den daha fazla yaklaşırsa ürünü durdurun. Ürünü insanlardan, hayvanlardan, açık pencerelerden ve diğer nesnelere uzak tutun.
- Çocukların ürünü kullanmasına izin vermeyin. Bu kullanım kılavuzunun içeriğini tüm operatörlerin okuyup anladığından emin olun.
- Çalışma sırasında ellerinizi veya diğer nesnelere üfleciyi muhafazasından uzak tutun. Döner parçalar ciddi yaralanmalara neden olabilir.
- Hava giriş bölmesi takılı değilse ürünü kullanmayın. Kullanmadan önce hava giriş bölgesinin takıldığından ve hasarlı olmadığından her zaman emin olun.
- Acil bir durum meydana gelirse kuşam askılığın bel ve göğüs kemerlerini serbest bırakıp ürünün düşmesini sağlayın.
- Ulusal düzenlemelere ve direktiflere uyun.

- Tüm uzuvlarınızı sıcak yüzeylerden uzak tutun.
- Çok fazla titreşim dolaşım veya sinir sistemine zarar verebilir. Uyuşma, his kaybı, karıncalanma, iğnelenme, ağrı, güç kaybı veya parmak, el veya bileklerinizeki cilt renginde değişiklik gibi belirtiler varsa doktorunuza danışın.
- Savrulabilecek nesnelere karşı dikkatli olun. Fırlayan nesnelere ciddi yaralanmalara neden olabilir.
- Ürünü sis, yağmur, kuvvetli rüzgar ve aşırı soğuk ortamlar gibi hava şartlarında kullanmayın. Kötü hava koşullarında çalışmak yorgunluğa ve tehlikeli durumlara neden olabilir.
- Hareket edebildiğinizden ve dengeli pozisyonda kalabildiğinizden emin olun. Çalışma alanında bulunabilecek taş gibi engelleri kontrol edin. Ürünü eğimli yerlerde kullanıyorsanız dikkatli olun.
- Ürünü motor açıkken yere koymayın.
- Ürünü merdiven gibi yüksek konumlardan çalıştırmayın.
- Bir kaza olursa mutlaka duyulabileceğinizden emin olun.
- Egzoz dumanı çıkışının tıkalı olmadığından emin olun. Ürünün hasar görmesini önlemek için engelleri egzoz dumanı çıkışından en az 50 cm mesafede tutun.
- Ürünü kapalı alanlarda, hava akışı yetersiz olan yerlerde veya yanıcı maddelerin yakınında çalıştırmayın. Motor egzozu dumanlarının içerdiği karbon monoksit zehirlenmeye neden olabilir. Motor egzozu dumanları sıcaktır ve bir yangına neden olabilecek kıvılcıklar içerebilir.

Kişisel koruyucu ekipman



UYARI: Ürünü kullanmadan önce aşağıdaki uyarı talimatlarını okuyun.

- Ürünü kullanırken onaylı kişisel koruyucu ekipmanları kullanın. Kişisel koruyucu ekipmanlar yaralanma riskini tamamen engelleyemez ancak yaralanmanın derecesini azaltır. Daha fazla bilgi için lütfen satıcınızla görüşün.
- Onaylanmış kulak koruma ekipmanı kullanın. Uzun süre gürültüye maruz kalınması sürekli işitme kaybına yol açabilir.
- Onaylı koruyucu gözlük kullanın. Vizör kullanıyorsanız onaylı koruma gözlüğü de kullanmanız gerekir. Onaylı koruma gözlüğü ABD'de ANSI Z87.1 veya AB ülkelerinde EN 166 standardıyla uyumlu olmalıdır.
- Kullanım ve bakım sırasında koruyucu eldivenler kullanın.
- Kaymaz tabanlı koruyucu botlar veya ayakkabılar giyin.
- Güçlü kumaştan ve tam uzunlukta kıyafetler kullanın. Takı veya açık ayakkabılar kullanmayın. Yaralanma riskini azaltmak için giysilerinizin dar olmalı ancak hareketlerinizi sınırlamamalıdır. Saçınızın dönen

parçalara veya dallara takılmamasını önlemek için saçınızı omuzlarınızın üzerinde toplayın.

- Toz riski varsa solunum koruması kullanın.
- İlk yardım ekipmanını yakında bulundurun.

Ürünün üzerindeki güvenlik aletleri



UYARI: Ürünü kullanmadan önce aşağıdaki uyarı talimatlarını okuyun.

- Güvenlik araçları arızalı olan bir ürünü kullanmayın.
- Güvenlik araçlarını düzenli olarak kontrol edin. Bkz. *Bakım sayfada: 380.*
- Güvenlik araçları arızalıysa Husqvarna bayinizle görüşün.

Susturucuyu kontrol etme



UYARI: Susturucusu bozuk olan bir ürünü kullanmayın.



UYARI: Susturucu rölantinin yanı sıra çalışma sırasında ve sonrasında çok ısınır. Yanıkları önlemek için koruyucu eldiven takın.



UYARI: Susturucunun iç kısmında kanserojen olabilecek kimyasal maddeler bulunmaktadır. Hasarlıysa susturucuya dokunmayın.

- Susturucuyu düzenli olarak gözle kontrol edin. Susturucu, gürültü düzeyini minimum seviyede tutar ve egzoz dumanını operatörden uzağa gönderir. Bkz. *Susturucuda bakım yapma sayfada: 382.*

Titreşim azaltma sistemini kontrol etme

1. Titreşim azaltma ünitelerinde çatlak veya deformasyon olmadığından emin olun.
2. Titreşim azaltma ünitelerinin motor ünitesine ve kol ünitesine doğru bir şekilde takıldığından emin olun.

Ürününüzde kullanılan titreşim azaltma sistemi hakkında bilgi için bkz. *Ürüne genel bakış sayfada: 374.*

Başlatma/durdurma anahtarını kontrol etme

1. Motoru durdurmak için çalıştırma/durdurma anahtarını kullanın.

2. Motorun tamamen durduğundan emin olun.

Çalıştırma/durdurma anahtarının ürününüzün neresinde olduğunu görmek için bkz. *Ürüne genel bakış sayfada: 374.*

Yakıt güvenliği



UYARI: Ürünü kullanmadan önce aşağıdaki uyarı talimatlarını okuyun.

- Yakıtı kapalı mekanlarda veya bir ısı kaynağının yakınında karıştırmayın ya da ilave etmeyin.
- Üründe veya vücudunuzda yakıt ya da yağ kalıntısı varsa ürünü çalıştırmayın.
- Motorda yakıt sızıntısı varsa ürünü çalıştırmayın. Motorda yakıt sızıntısı olup olmadığını düzenli olarak kontrol edin.
- Yakıtla uğraşırken her zaman dikkatli olun. Yakıt yanıcı ve yakıt dumanları patlayıcıdır; bunlar ciddi yaralanmaya veya ölüme sebep olabilir.
- Yaralanmaya sebep olabileceğinden yakıt dumanını solumayın. Yeterli hava akışı olduğundan emin olun.
- Yakıtın veya motorun yakınında sigara içmeyin.
- Ürünü veya yakıt konteynerini sıcak nesnelere, açık ateşin, kıvılcımın veya pilot alevin yakınına yerleştirmeyin.
- Yakıtı taşımak ve saklamak için her zaman onaylı kaplar kullanın.

Bakım için güvenlik talimatları



UYARI: Ürünü kullanmadan önce aşağıdaki uyarı talimatlarını okuyun.

- Bakım ve montajdan önce motoru durdurun, bujiyi çıkarın ve motorun soğumasını bekleyin.
- Tıkalı bir kıvılcım önleyici siperlik, motorun aşırı ısınmasına neden olur ve bu da motora hasar verir.
- Kıvılcım önleyici siperlik sık sık tıkanıyorsa bu durum katalitik dönüştürücü performansının azaldığının bir göstergesi olabilir. Susturucuyu kontrol ettirmek için servis bayinizle görüşün.

Montaj

Giriş

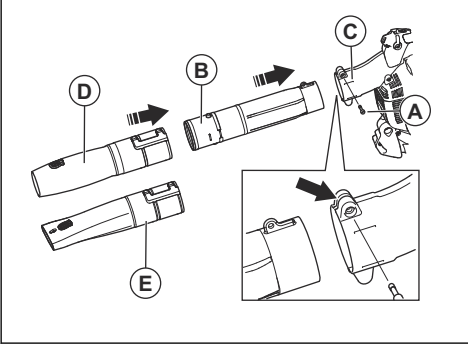


UYARI: Ürünü monte etmeden önce güvenlik bölümünü okuyup anlayın.

2. Ara boruyu (B) üfleyici borusuna (C) takın.
3. Kelepçe vidasını (A) takın ve sıkın.
4. Yuvarlak ucu (D) veya düz ucu (E) ara boruya takın.

Üfleyici borusunu monte etme

1. Kelepçe vidasını (A) gevşetin.



Kullanım

Giriş



UYARI: Ürünü kullanmadan önce güvenlik bölümünü okuyup anlayın.



DİKKAT: Oktan oranı 90 RON/87 AKI değerinin altında olan benzin kullanmayın. Daha düşük oktanlı benzinin kullanılması motorda vuruntuya ve hasarlara neden olabilir.

Yakıt

Bu üründe iki zamanlı motor bulunur.



DİKKAT: Yanlış tür yakıtın kullanımı motor hasarına neden olabilir. Benzin ve iki zamanlı motor yağı karışımı kullanın.

İki zamanlı yağ

- En iyi sonuçlar ve performans için Husqvarna iki zamanlı yağ kullanın.
- Husqvarna iki zamanlı yağ yoksa hava soğutmalı motorlar için iyi kalitede başka bir iki zamanlı yağ kullanın. Doğru yağı seçmek için servis bayinizle iletişime geçin.

Hazır yakıt karışımı

- Motorun en iyi performansı göstermesi ve motor ömrünün uzaması için Husqvarna hazır alkilat yakıt kullanın. Zararlı egzoz dumanını azaltan bu yakıt, normal yakıta kıyasla daha az zararlı kimyasal içerir. Bu yakıt yanma sonrası daha az kalıntı bıraktığından, motor bileşenlerini daha temiz tutar.



DİKKAT: Su soğutmalı dış motorlar için olan ve dış yağ olarak da bilinen iki zamanlı motor yağlarını kullanmayın.

Yakıtın karıştırılması

Benzin

- Maksimum %10 etanol içerikli iyi kalite kurşunsuz benzin kullanın.

Benzinle iki zamanlı yağ karıştırma

Benzin, litre	İki zamanlı yağ, litre
	%2 (50:1)
5	0,10

10	0,20
15	0,30
20	0,40



DİKKAT: Az miktarda yakıt karıştırırken yapılan küçük bir hata, karışımın oranını büyük ölçüde etkileyebilir. Doğru karışımı elde ettiğinizden emin olmak için yağ miktarını dikkatli bir şekilde ölçün.



1. Benzinin yarısını temiz bir yakıt kabına doldurun.
2. Yağ miktarının tümünü ekleyin.
3. Yakıt karışımını çalkalayın.
4. Kalan benzini kaba ekleyin.
5. Yakıt karışımını dikkatlice çalkalayın.



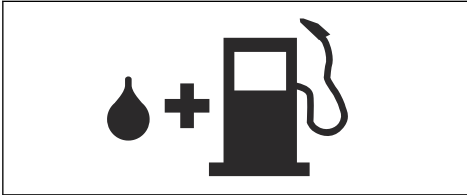
DİKKAT: Tek seferde 1 aylıktan fazla yakıt karıştırmayın.

Yakıt tankını doldurma



UYARI: Güvenliğiniz için aşağıdaki prosedüre uyun.

1. Motoru durdurun ve soğumasını bekleyin.
2. Yakıt tankı kapağının çevresini temizleyin.



3. Kabı sallayın ve yakıtın iyice karıştığından emin olun.
4. Basıncı tahliye etmek için yakıt tankı kapağını yavaşça çıkarın.
5. Yakıt tankını doldurun.



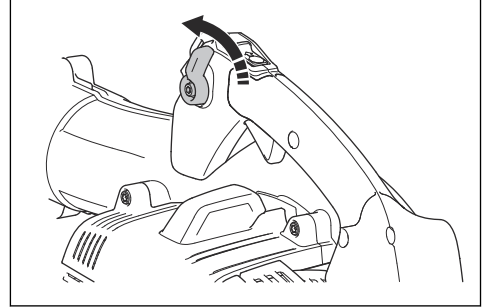
DİKKAT: Yakıt tankında çok fazla yakıt olmadığından emin olun. Yakıt ısındığında genişler.

6. Yakıt tankının kapağını dikkatlice sıkın.
7. Ürünün üzerindeki ve çevresindeki yakıt kalıntılarını temizleyin.
8. Motoru çalıştırmadan önce ürünü yakıt ikmali alanından ve yakıt kaynağından en az 3 m/10 ft uzaklaştırın.

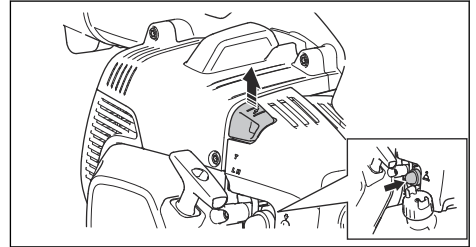
Not: Yakıt tankının ürününüzün neresinde olduğunu görmek için bkz. *Giriş sayfa*da: 374.

Ürünü çalıştırma

1. Gaz kontrolünü rölanti konumuna getirin.

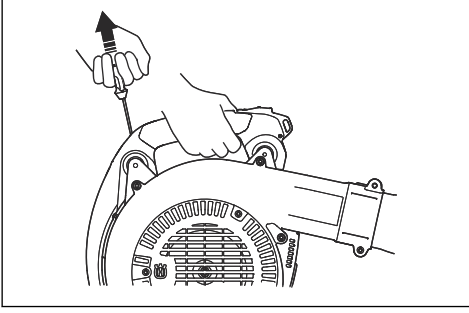


2. Motor soğuksa jikle kontrolünü jikle kapalı konumuna itin.



3. Yakıt hazneye dolmaya başlayana kadar yakıt pompası diyaframı haznesini tekrar tekrar itin. Yakıt pompası diyaframı haznesini tamamen doldurmak gerekmez.
4. Ürünü yerde düz bir yüzeye yerleştirin.

5. Ürünü sağ elinizle tutun.



DİKKAT: Ürünü ayaklarınızla sabitlemeyin.

6. Direnç oluşana kadar çalıştırma ipi kolunu yavaşça çekin.
7. Çalıştırma ipi kolunu sol elinizle hızlıca çekin. Çalıştırma ipi kolunu motor çalışana kadar tekrar çekin.

Not: Çalıştırma ipi kolunu sonuna kadar çekmeyin ve çalıştırma ipi kolunu elinizden bırakmayın.

8. Motor soğuksa jikle kontrolünü açık konumuna getirin.
9. Motor soğuksa çalışmadan önce motorun 2-3 dakika ısınmasını bekleyin.



UYARI: Motor çalıştırıldığında ve ürün rölantideyken hava tahliye edilir. Kişilerin ürünün veya üfleyici borusunun yakınına gelmesine izin vermemeyin.

Ürünü çalıştırma

- Ürünü normal çalışma saatlerinde kullanın. Yerel yönetmeliklere uyun.

- Ekipman parçalarını azaltın ve göreviniz için doğru hızı seçin. Gerekinden daha fazla gürültü ve toz çıkmasını önlemek için gaz pedalını mümkün olan en düşük konumda kullanın.
- Üfleyici ucunu yere yakın tutun.

Not: Husqvarna, tam üfleyici ucu uzatmasını kullanmanızı önerir.

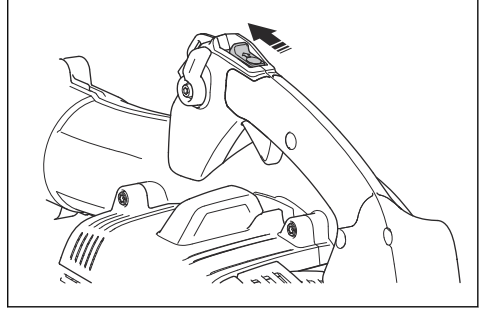
- Rüzgar yönüne dikkat edin ve ürünü rüzgar yönünde çalıştırın.
- Malzemeleri yerden ayırmak için uygun bahçe aletlerini kullanın.
- Tozlu alanlarda alanı ıslatmak için sprey ekipmanını kullanın. Bu işlem, çalışma süresini azaltır.
- Ürünü kullandıktan sonra dikey konumda saklayın.

Motorun durdurulması



DİKKAT: Ürünü tam hızda durdurmayın.

- Çalıştırma/durdurma anahtarını durdurma konumuna getirin.



Bakım

Giriş



UYARI: Ürün üzerinde bakım yapmadan önce güvenlik bölümünü okuyup anlayın.

Bakım takvimi

Bakım	Günlük	Haftalık olarak	Aylık olarak
Dış yüzeyleri temizleyin.	X		
Gaz kontrolünün doğru şekilde çalıştığından emin olun.	X		

Bakım	Günlük	Haftalık olarak	Aylık olarak
Çalıştırma/durdurma anahtarının doğru şekilde çalıştığından emin olun. Bkz. <i>Başlatma/durdurma anahtarını kontrol etme sayfa: 377.</i>	X		
Motorda, yakıt tankında ve yakıt hatlarında kaçak olup olmadığına bakın. Yakıt filtresinde kirlilik olup olmadığını kontrol edin. Gerekirse yakıt filtresini değiştirin.	X		
Hava filtresini temizleyin. Gerekirse hava filtresini değiştirin.	X		
Somun ve vidaları sıkın.	X		
Hava girişini inceleyin ve tıkalı olmadığından emin olun.	X		
Marş motorunda ve marş ipinde hasar olup olmadığına bakın.		X	
Titreşim azaltma ünitelerinde hasar, çatlak ve aşınma olup olmadığını kontrol edin. Titreşim azaltma ünitelerinin doğru şekilde takıldığından emin olun.		X	
Bujiyi kontrol edin. Bkz. <i>Bujinin kontrolü sayfa: 381.</i>		X	
Soğutma sistemini temizleyin.		X	
Karbüratörün dış yüzeyini ve etrafındaki bölgeyi temizleyin.		X	
Yakıt tankını temizleyin.			X
Tüm kabloları ve bağlantıları kontrol edin.			X
Susturucu üzerindeki kıvılcım önleyici siperliğini kontrol edip temizleyin (katalitik konvertörü olmayan ürünler için).		X	
Susturucu üzerindeki kıvılcım önleyici siperliğini kontrol edip temizleyin (katalitik konvertörlü ürünler için).			X
Bujiyi değiştirin. Parazit gidericiyle birlikte takıldığından emin olun.			X

Rölantinin ayarlanması

- Hava filtresinin temiz olduğundan ve hava filtresi kapağının takıldığından emin olun.
- Rölanti vidasını kullanarak rölantiyi ayarlayın. Rölanti vidasının ürününüzün neresinde olduğunu görmek için bkz. *Ürüne genel bakış sayfa: 374.*

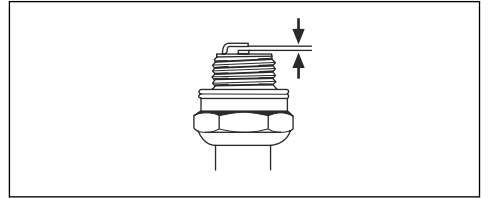
Bujinin kontrolü



DİKKAT: Önerilen bujii kullanın. Bkz. *Bujinin kontrolü sayfa: 381.* Yanlış buji, ürüne zarar verebilir.

- Motoru durdurun ve ürünün soğumasını bekleyin.
- Buji kırılsa bujii temizleyin.

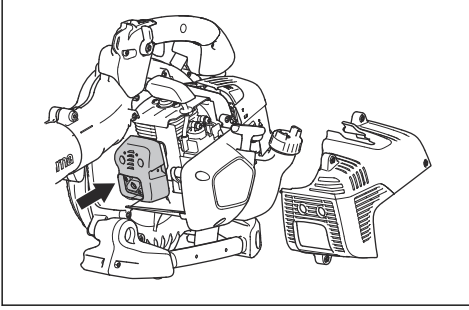
- Elektrot boşluğunun doğru olduğundan emin olun. Bkz. *Teknik veriler sayfa: 384.*



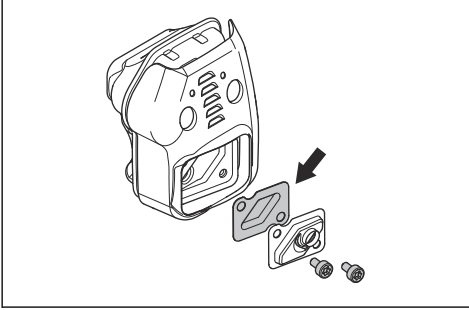
- Bujiyi ayda bir veya gerekirse daha sık değiştirin.

Susturucuda bakım yapma

1. Motoru durdurun ve susturucunun soğumasını bekleyin. Korumayı eldivenler kullanın.



2. Susturucu kapağını çıkarın.
3. Gözle kontrol edin. Hasarlıysa kıvılcım önleyici siperliği değiştirin.



Soğutma sistemini kontrol etme ve temizleme

Soğutma sisteminde silindir üzerindeki soğutma kanatları ve hava giriş bölgesi bulunur.

1. Motoru durdurun.
2. Soğutma sisteminin kirli ya da tıkalı olmadığından emin olun. Gerekirse hava giriş bölgesini ve soğutma kanatlarını temizleyin.



DİKKAT: Kirli veya tıkanmış soğutma sistemi, motor sıcaklığının artmasına ve üründe hasara neden olabilir. Tıkalı hava giriş bölgesi üfleme kuvvetini azaltır.

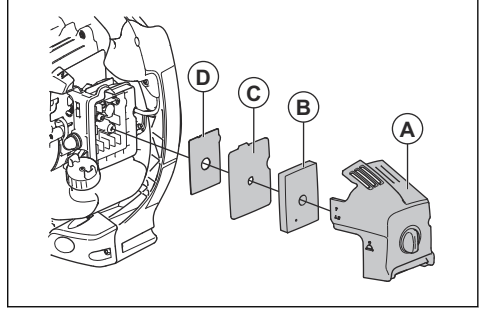
3. Soğutma sisteminde hasar olup olmadığını kontrol edin. Parçaların ürüne doğru şekilde takıldığından emin olun.

Hava filtresinin temizlenmesi



DİKKAT: Hava filtresi olmadan veya hasarlı hava filtresi ile ürünü kullanmayın. Havadaki toz motorda hasara neden olabilir.

1. Jikle kontrolünü jikle kapalı konumuna itin.
2. Hava filtresi kapağını (A) çıkarın.



3. Hava filtresini (B) filtre çerçevesinden çıkarın.
4. Hava filtresini (B) ılık su ve sabunla temizleyin.

Not: Uzun süre kullanılmış hava filtresi tamamen temizlenemez. Hava filtresini düzenli olarak değiştirin; kusurlu hava filtresini mutlaka değiştirin.

5. Hava filtresi kapağının (A) iç yüzeyini bir fırça ile temizleyin.
6. Kirliyse keçe filtreyi (C) çıkarın ve değiştirin.
7. Siperliği (D), keçe filtreyi (C) ve hava filtresini (B) takın.
8. Hava filtresi kapağını (A) ürüne takın.

Sorun giderme

Motor çalıştırmıyor		
Kontrol edin	Olası neden	Çözüm
Durdurma düğmesi.	Durdurma konumu	Durdurma anahtarını çalıştırma konumuna getirin.

Motor çalıştırılmıyor		
Kontrol edin	Olası neden	Çözüm
Marş motoru mandalları.	Marş motoru mandalları tıkanmış veya aşınmış.	Marş motoru mandallarını ayarlayın ya da değiştirin.
		Marş motoru mandallarının etrafını temizleyin.
		Yetkili bir servis bayisiyle görüşün.
Yakıt tankı.	Yanlış yakıt tipi.	Yakıt tankını boşaltın ve doğru yakıt kullanın.
Karbüratör.	Rölantinin ayarlanması.	Rölanti ayar vidasını kullanarak rölantiyi ayarlayın.
Ateşleme (kıvılcım yok).	Buji kirlenmiş ya da ıslak.	Bujinin kuru ve temiz olduğundan emin olun.
	Bujideki elektrot boşluğu hatalı.	Bujiyi temizleyin. Elektrot boşluğunun doğru olduğundan emin olun. Bujinin bir parazit gidericiyle birlikte takıldığından emin olun.
		Doğru elektrot boşluğu için teknik bilgilere göz atın.
Buji.	Buji gevşemiş.	Bujiyi sıkın.
	Buji elektrotlarında istenmeyen maddeler var.	Yakıt karışımının doğru olduğundan emin olun.
		Hava filtresinin temiz olduğundan emin olun.

Motor çalışıyor ancak tekrar duruyor		
Kontrol edin	Olası neden	Çözüm
Yakıt tankı.	Yanlış yakıt tipi.	Boşaltın ve doğru yakıt kullanın.
Karbüratör.	Motor rölantide düzgün çalışmıyor.	Servis bayinize danışın.
Hava filtresi.	Hava filtresi tıkanmış.	Hava filtresini temizleyin.

Taşıma ve saklama



UYARI: Yangın riskini önlemek için taşıma veya depolama sırasında sızıntı veya duman olmadığından emin olun. Kıvılcım veya yangın riski olmadığından emin olun.

- Ürünü taşımadan veya uzun süreli depolamadan önce yakıt tankını boşaltın. Yakıt pompası diyaframı haznesini iterek yakıtın tamamen boşaltıldığından emin olun. Yakıtı uygun bir çöp atma merkezinde bertaraf edin.
- Uzun süreli depolamadan önce ürünün temiz olduğundan ve tam servis işleminin yapıldığından emin olun.
- Bujiyi çıkarın ve silindire yaklaşık 15 ml iki zamanlı yağ koyun. Ürünü 3 kez döndürün ve bujiyi tekrar takın.
- Taşıma sırasında ürünü araca güvenli şekilde sabitleyin.
- Ürünü hava akışı iyi olan kuru, serin ve temiz bir yerde tutun. Ürünü çocuklardan uzakta tutun.

Teknik veriler

Teknik veriler

	Husqvarna 525BX
Motor	
Silindir hacmi, cm ³	25,4
Rölanti, dev/dk	3000
Katalitik konvertör	Evet
Ateşleme sistemi	
Buji	NGK BPMR8Y
Elektrot boşluğu, mm	0,6-0,7
Yakıt ve yağlama sistemi	
Yakıt tankı kapasitesi, l / cm ³	0,45 / 450
Ağırlık	
Yakıtsız ağırlık, kg	4,4
Gürültü yayma⁸²	
Ses gücü seviyesi, ölçülen dB (A)	104
Ses gücü seviyesi, L _{WA} dB (A) garantili	106
Ses seviyeleri⁸³	
EN15503 uyarınca ölçülen operatörün kulağında oluşan eşdeğer ses basınç düzeyi, dB(A):	
Yuvarlak uç takılıyken	91
Düz uç takılıyken	92
Titreşim seviyeleri⁸⁴	
EN 15503 uyarınca ölçülen tutma yerlerindeki eşdeğer titreşim düzeyleri (a _{hν,eq}), m/sn ²	
Yuvarlak uç takılıyken	1,2
Düz uç takılıyken	2,0
Fan performansı	
Yuvarlak uç ile maks. hava hızı, m/sn	70
Düz uç ile maks. hava hızı, m/sn	86
Yuvarlak nozül ile hava akışı m ³ /dak.	13

⁸² 2000/14/AT sayılı AT direktifi uyarınca ses gücü (L_{WA}) olarak çevrede ölçülen gürültü yayma seviyesi. Makine için bildirilen ses seviyesi, en yüksek seviyeyi veren orijinal üfleyci ucunun ölçülmüştür. Garanti edilen ve ölçülen ses düzeyi arasındaki fark, garantili ses gücünün 2000/14/AT Sayılı Direktif doğrultusunda ölçüm sonucundaki dağılımı ve aynı modelden farklı makineler arasındaki değişimleri de içermesidir.

⁸³ Ses basıncı düzeyi için bildirilen verilerdeki tipik istatistik dağılım (standart sapma) 1,0 dB (A) şeklindedir.

⁸⁴ Titreşim düzeyi için bildirilen verilerin tipik istatistik dağılımı (standart sapması) 1,0 m/sn² şeklindedir.

	Husqvarna 525BX
Düz uç ile hava akışı, m ³ /dak.	10

AT Uyumluluk Bildirimi

AT Uyumluluk Bildirimi

Husqvarna AB, SE-561 82 Huskvarna, İsveç, tel: +46-36-146500; seri numaraları 2016 veya sonraki tarihli (yıl, seri numarasıyla birlikte nominal değerler plakasında açıkça belirtilmiştir) **Husqvarna 525BX** üfleyicinin aşağıdaki KONSEY DİREKTİFİ gereksinimleriyle uyumlu olduğunu belirtir:

- 17 Mayıs 2006 tarihli ve **2006/42/AT** sayılı "makinelere ilgili" direktif.
- 26 Şubat 2014 tarihli ve **2014/30/AB** sayılı "elektromanyetik uyumlulukla ilgili" direktif.
- 8 Mayıs 2000 tarihli ve **2000/14/AT** sayılı "çevreye gürültü yayma ile ilgili" direktif. Uyumluluk değerlendirmesi Ek V'e göre yapılmıştır. Gürültü emisyonları hakkında bilgi için bkz. *Teknik veriler sayfa: 384*.
- 8 Haziran 2011 tarihli ve **2011/65/AB** sayılı "elektrikli ve elektronik ekipmanlarda belirli tehlikeli maddelerin kullanımının kısıtlanmasına ilişkin" direktif.

Aşağıdaki standartlar uygulanmıştır:

EN ISO 12100-2/A1:2009, CİSPR 12:2009, EN 15503:2009/A2:2015, EN 50581:2012

RISE SMP Svensk Maskinprovning AB, ; Husqvarna AB adına gönüllü olarak tip incelemesi gerçekleştirmiştir. Sertifika numarası: **SEC/14/2423** - 525BX

Huskvarna, 2020-01-01



Per Gustafsson, Geliştirme Müdürü (Husqvarna AB yetkili temsilcisi ve teknik dokümantasyon sorumlusu)

Türk ithalat şirketi daha fazla bilgi için temas edilecek:
ÇULLAS ORMAN BAHÇE VE TARIM MAKİNELERİ
SAN. TİC.LTD.ST
SUADIYE MAHALLESİ BAGDAT CADDESİ NO:455/3
KADIKÖY / İSTANBUL / TÜRKİYE
+90 216 519 88 82
MAHMUT GUNAY GURCAY
mgg@cullas.com.tr





www.husqvarna.com

Original instructions
Оригинални инструкции
Originalna uputstva
Původní pokyny
Originale instruktioner
Originalanweisungen
Αρχικές οδηγίες
Instrucciones originales
Originaaljuhend
Alkuperäiset ohjeet
Instructions d'origine
Originalne upute
Eredeti útmutatás
Istruzioni originali

取扱説明書原本
Originalios instrukcijos
Lietošanas pamācība
Originale instructies
Originale instruksjoner
Oryginalne instrukcje
Instruções originais
Instrucțiuni inițiale
Оригинальные инструкции
Põlvodné pokyny
Izvirna navodila
Originalna uputstva
Bruksanvisning i original
Orijinal talimatlar

1141294-38



2020-03-25