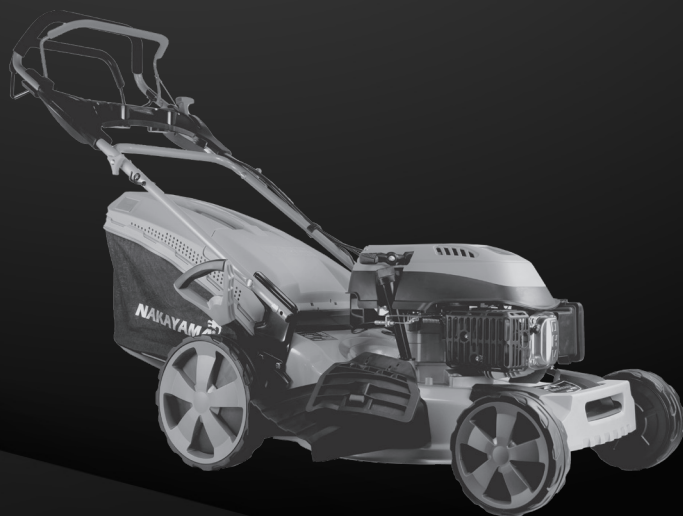


# NAKAYAMA®

GARDEN TOOLS EXPERT

# NAKAYAMA®

PRO



**PM4810**  
032373

**PM4820**  
032380

**PM4830**  
032397

**PM5310**  
032403

**PM5810**  
032410

v2.2

**EN** **FR**

**IT** **EL**

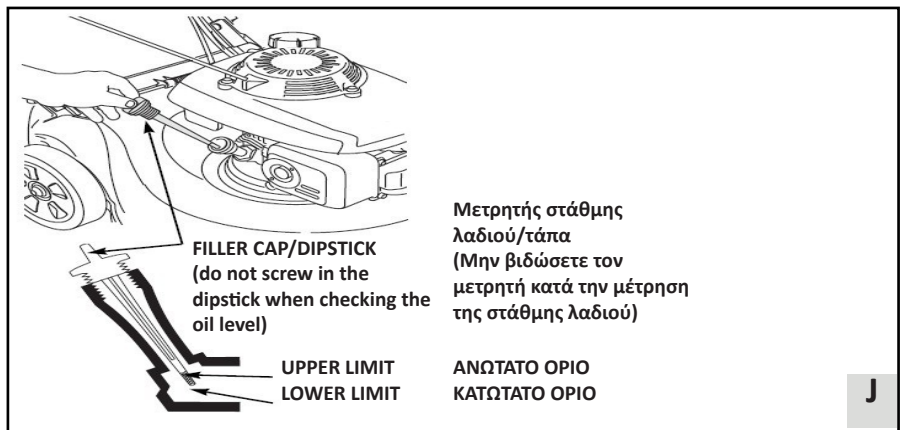
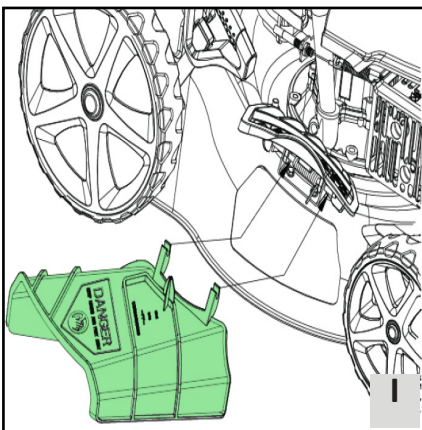
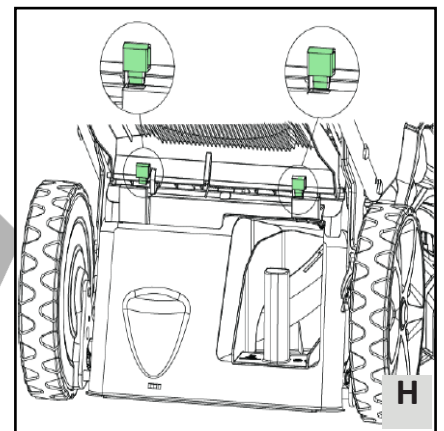
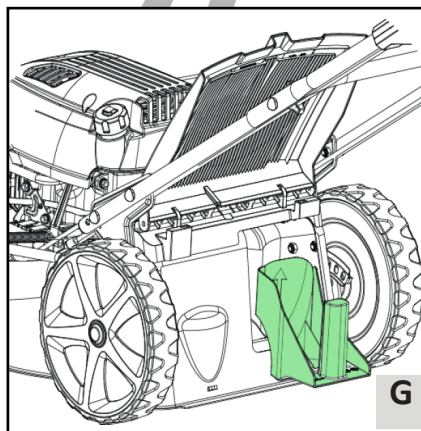
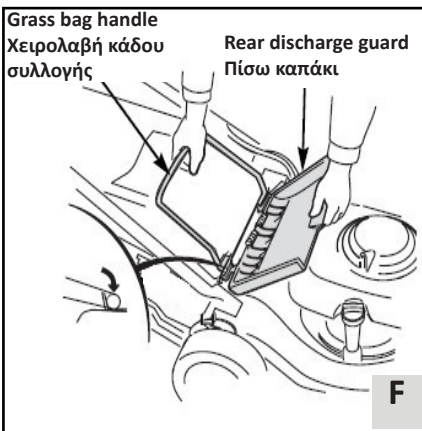
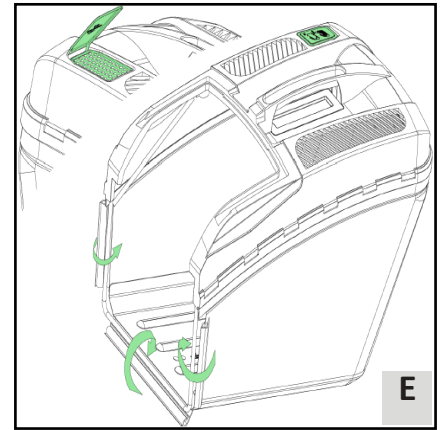
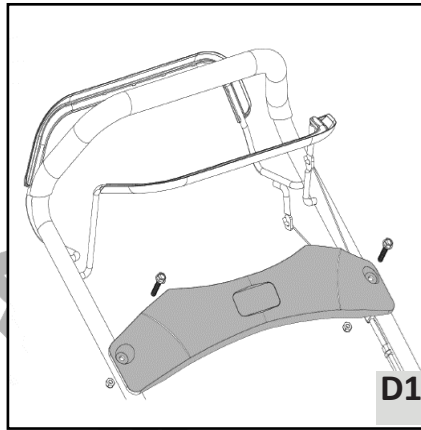
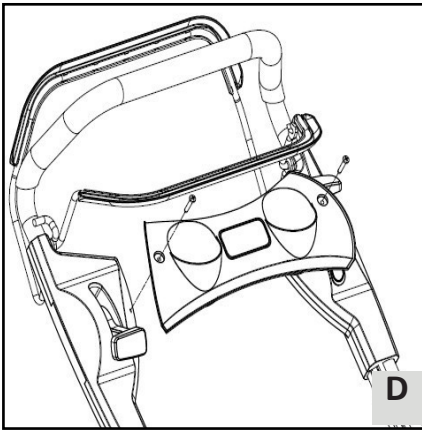
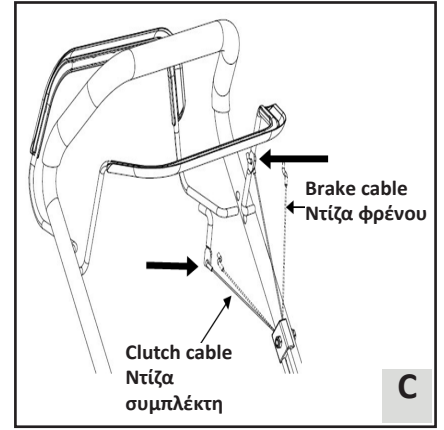
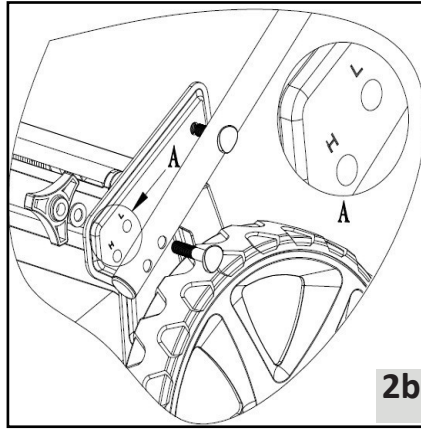
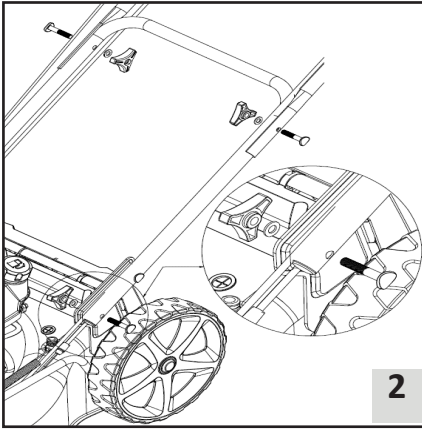
**BG** **SL**

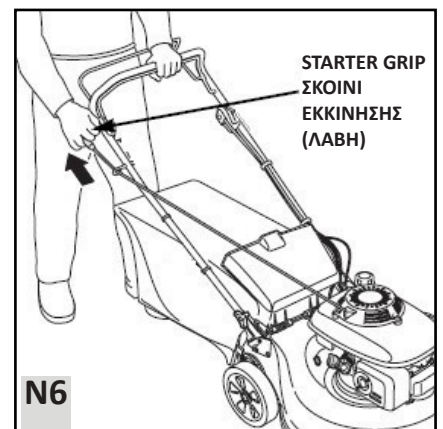
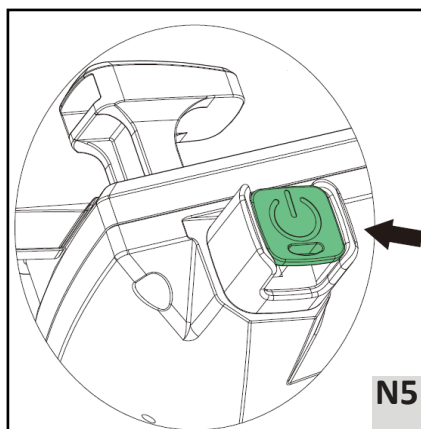
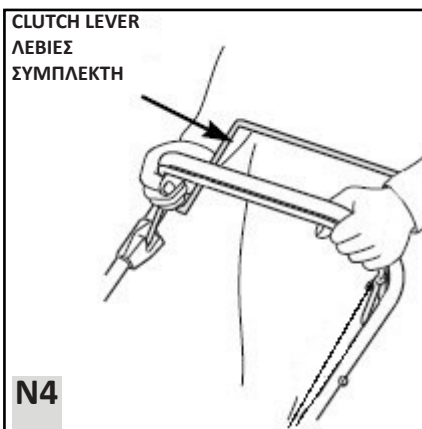
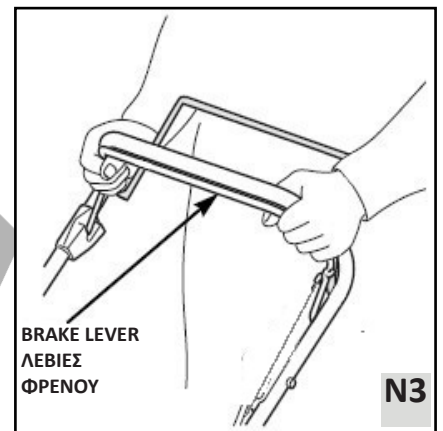
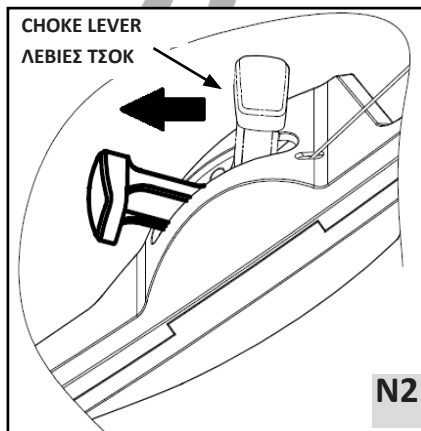
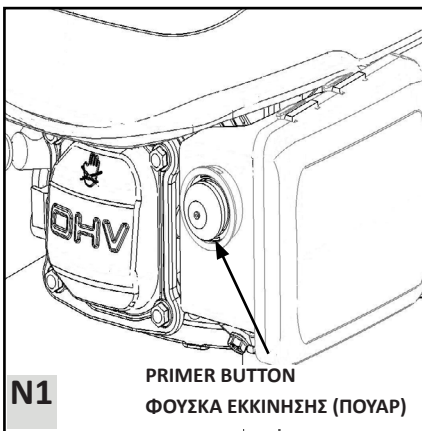
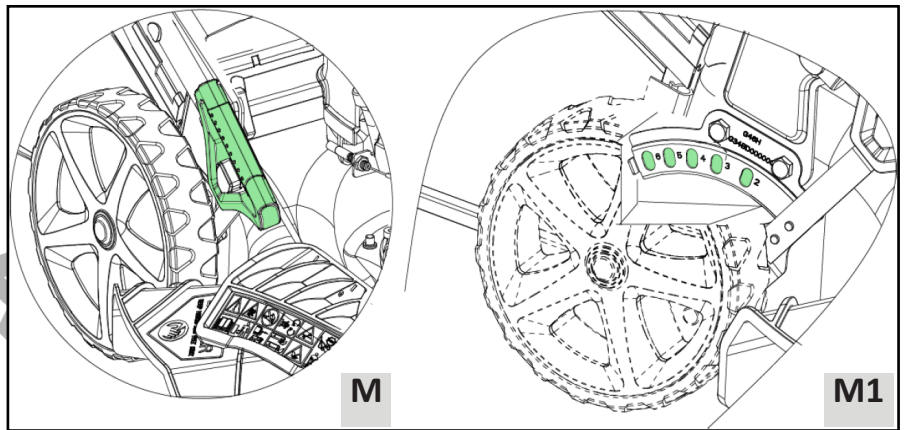
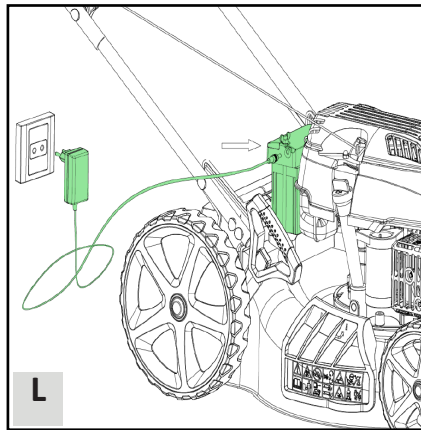
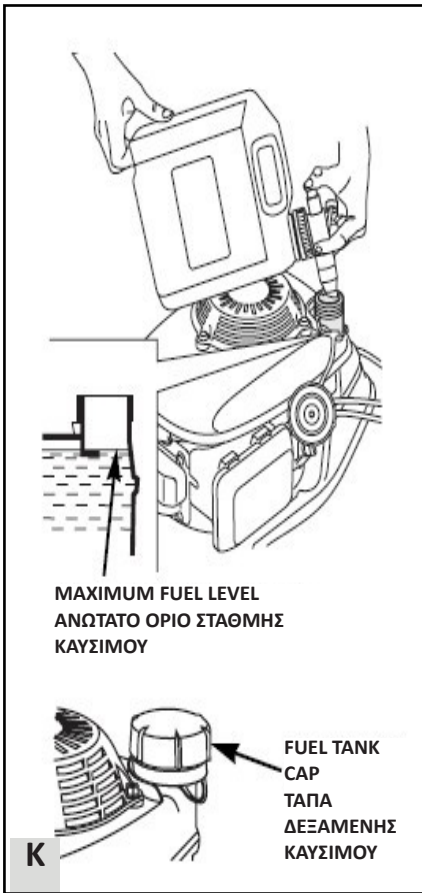
**RO** **HR**

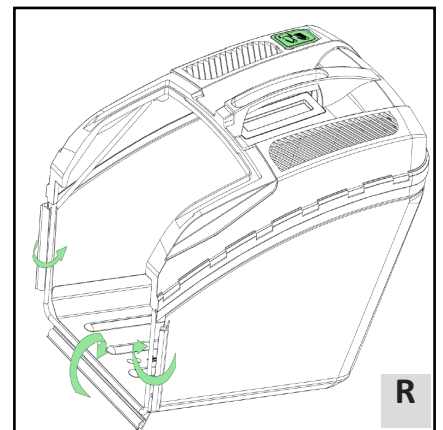
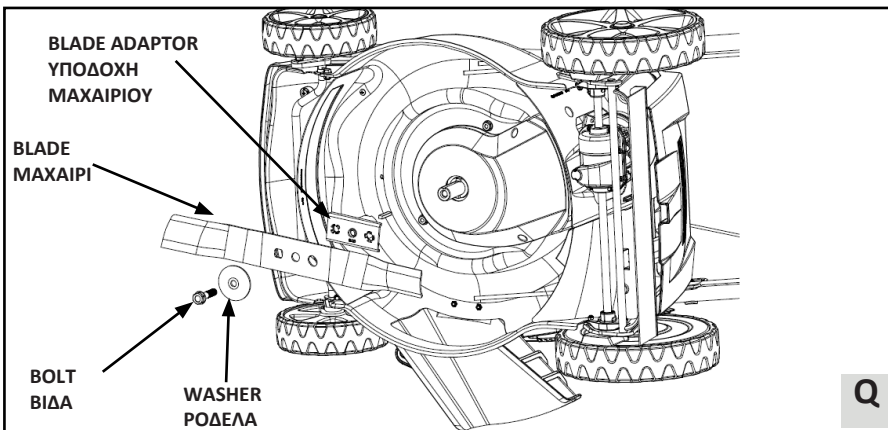
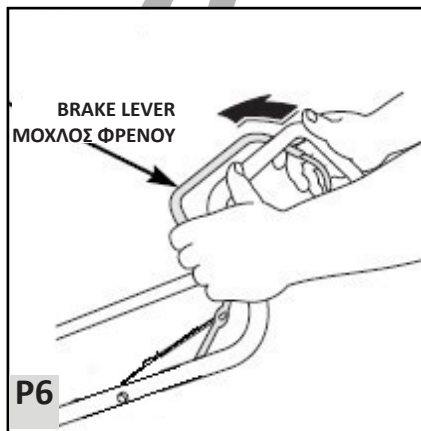
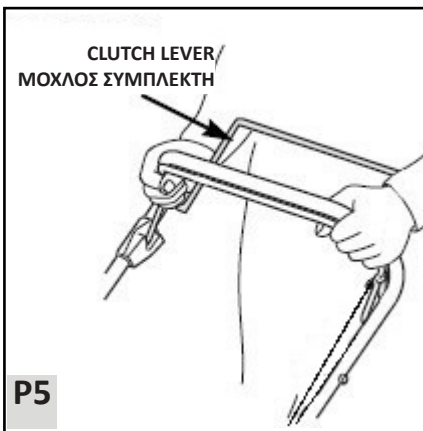
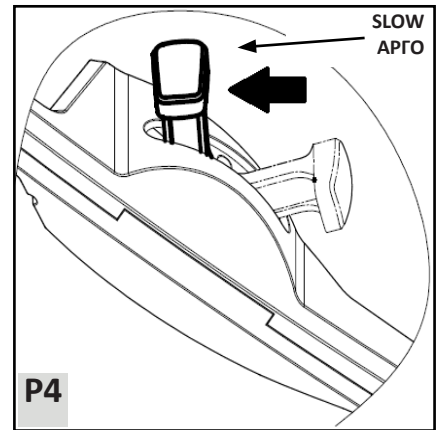
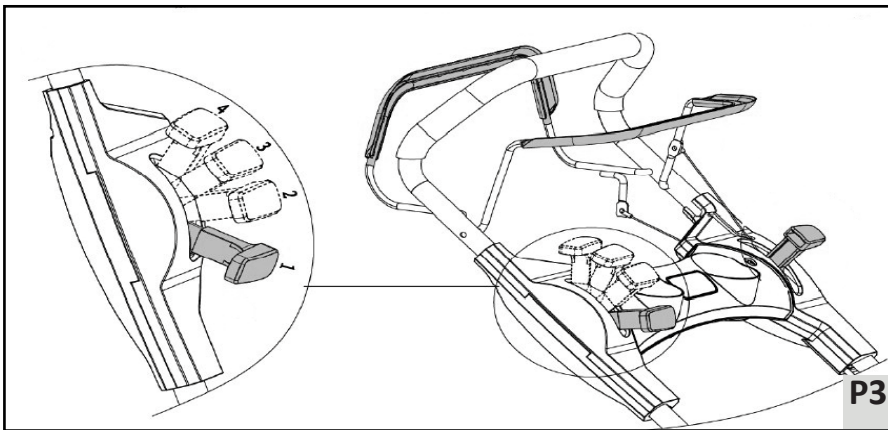
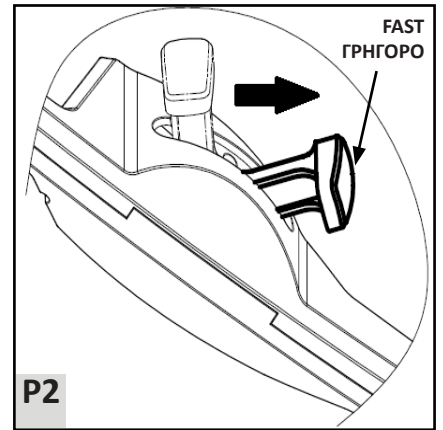
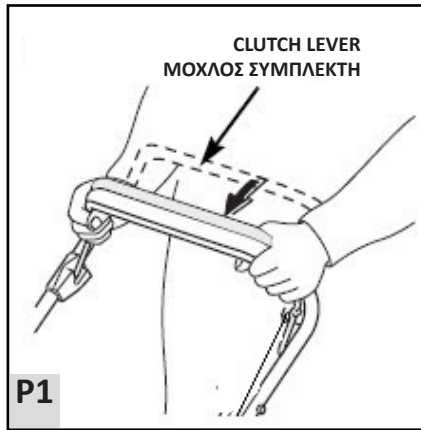
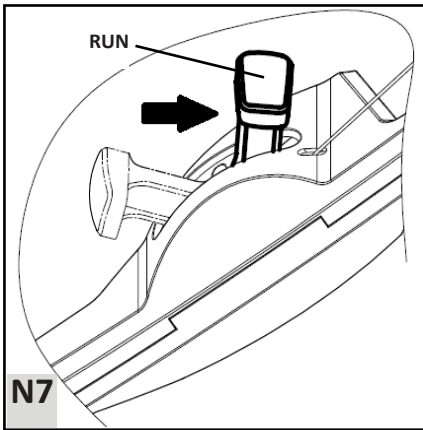


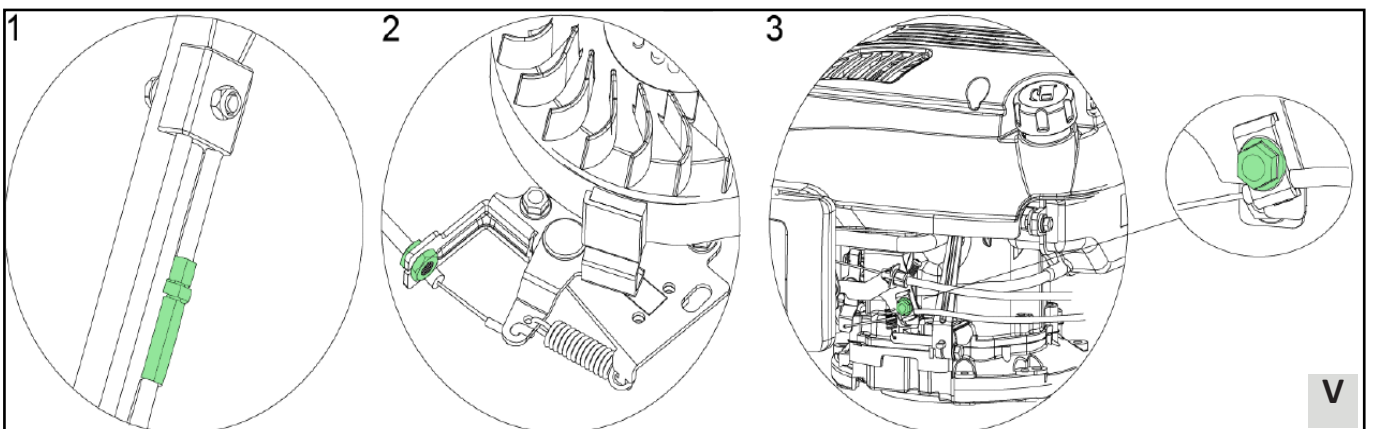
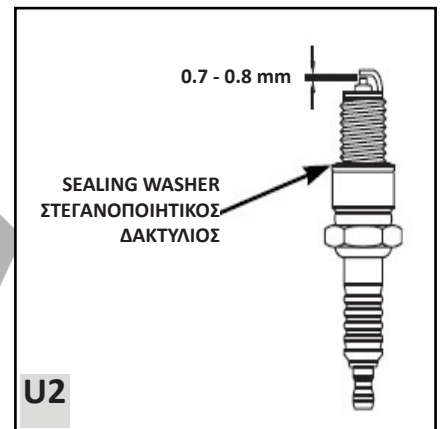
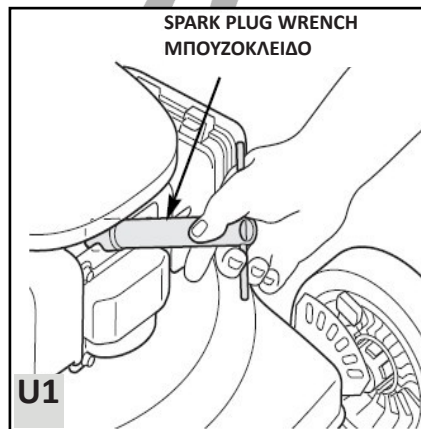
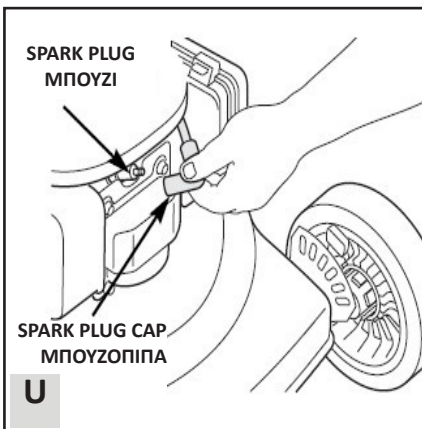
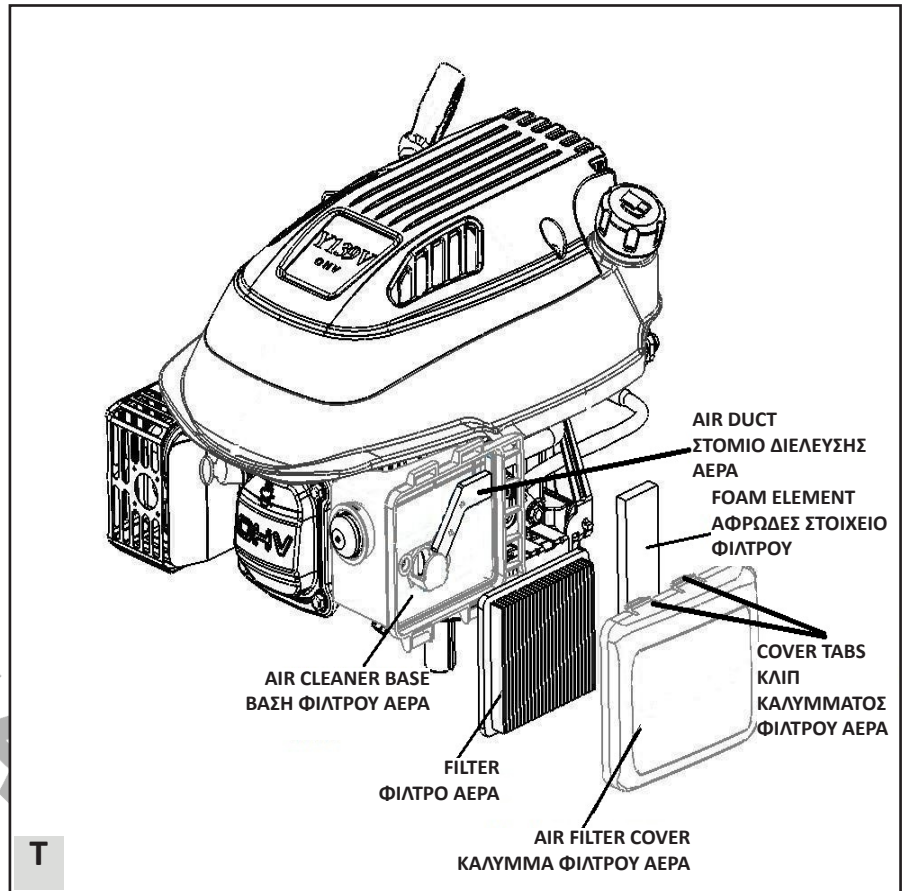
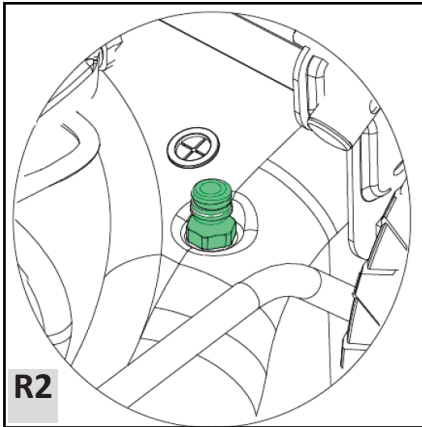
WWW.NIKOLAOUTOOLS.GR

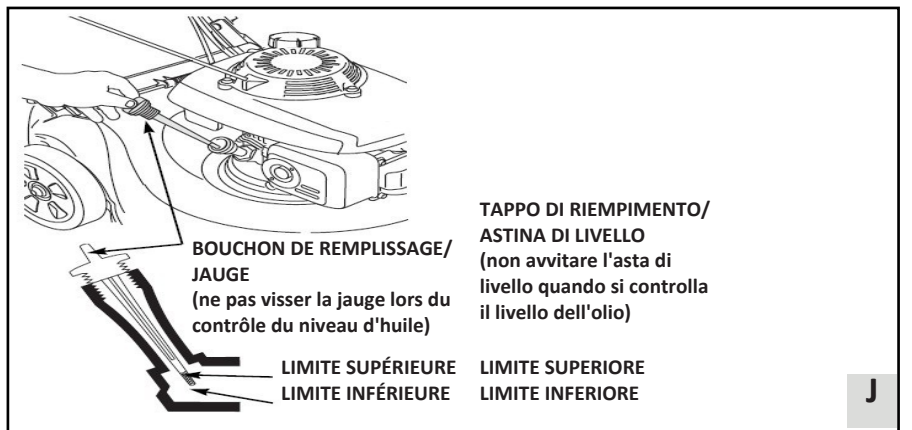
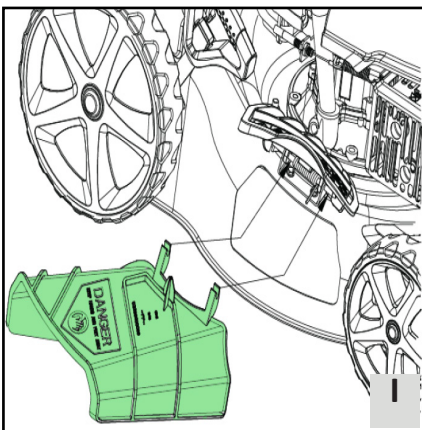
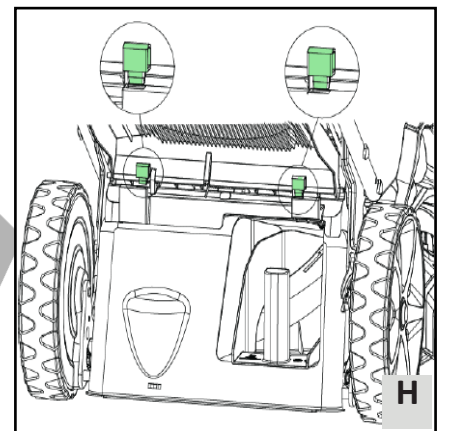
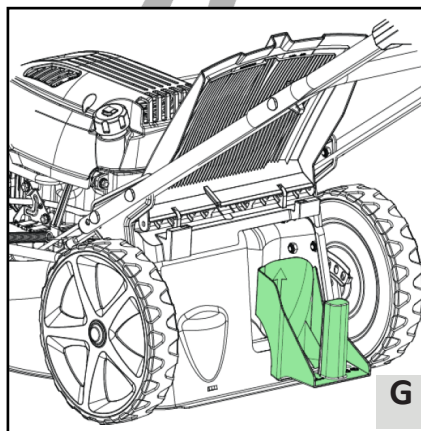
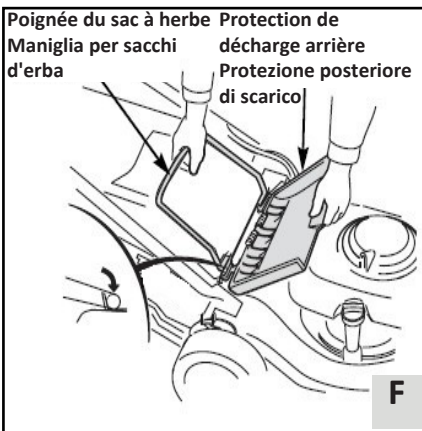
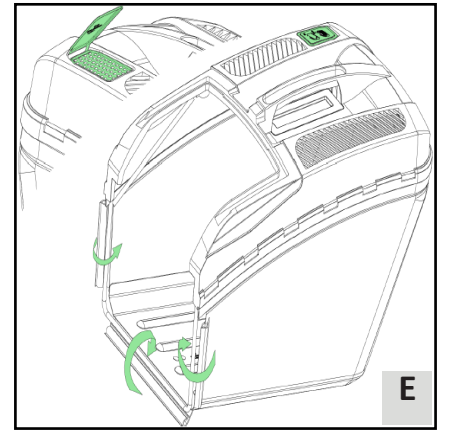
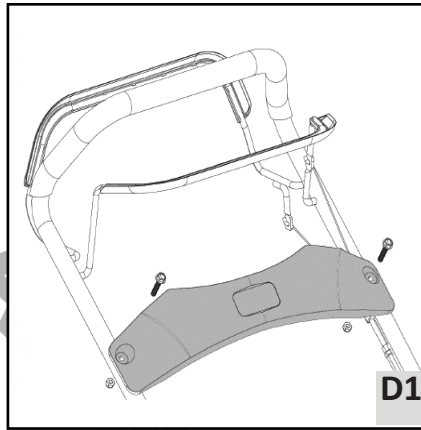
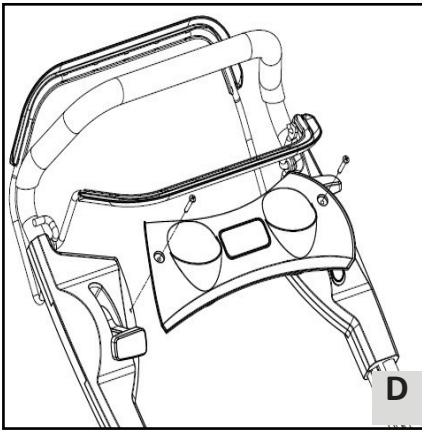
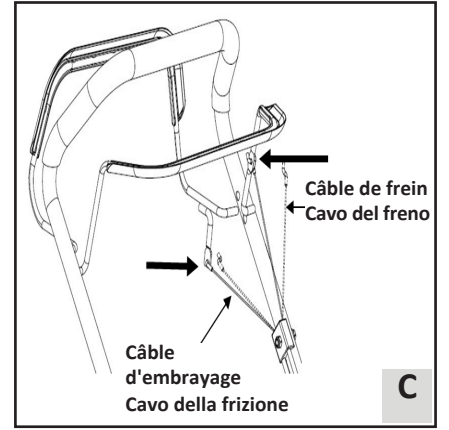
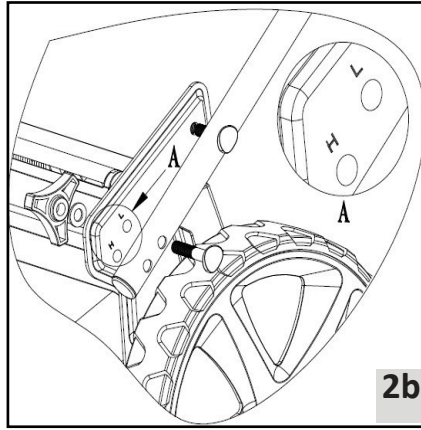
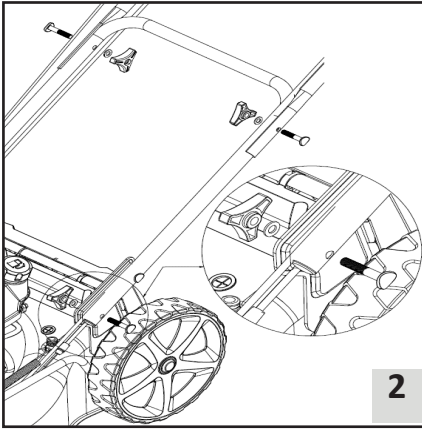


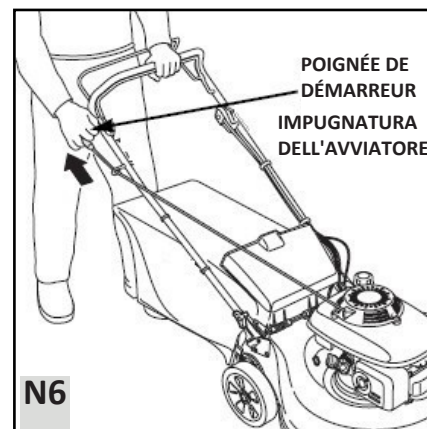
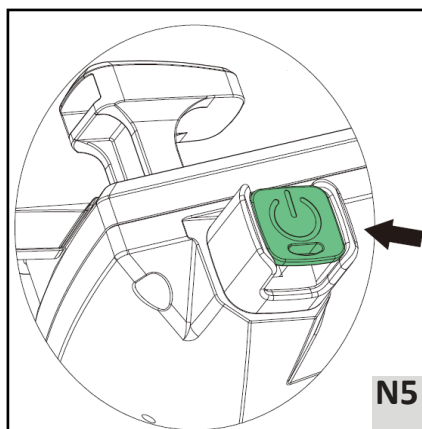
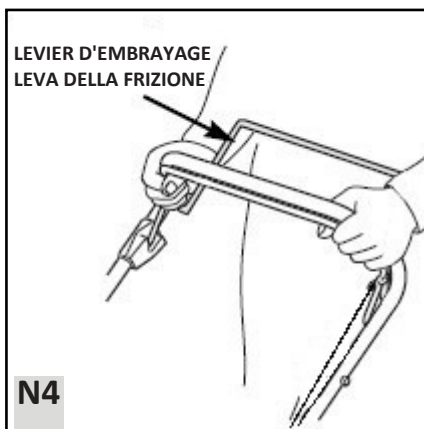
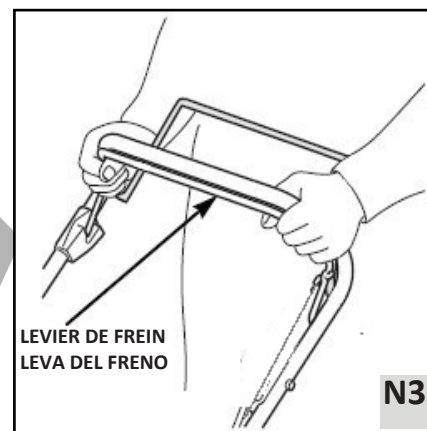
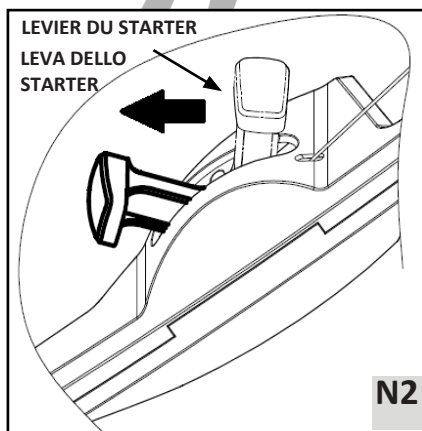
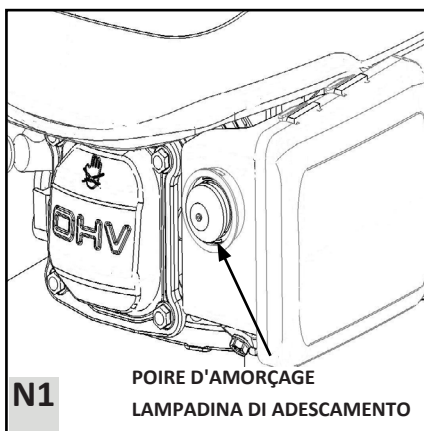
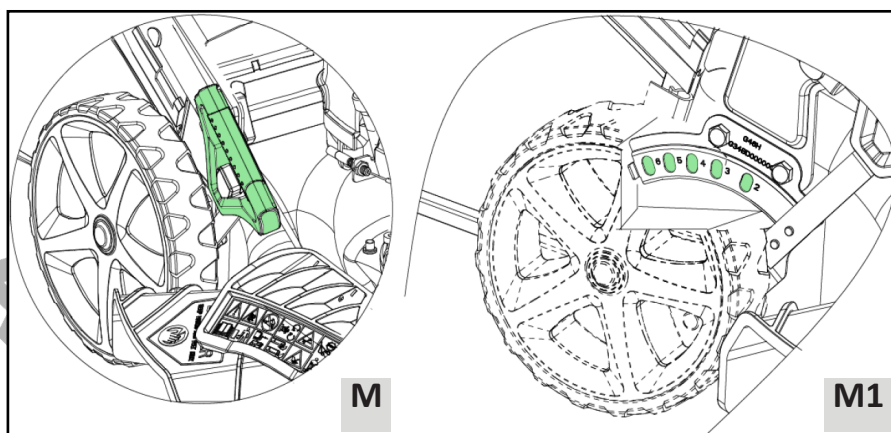
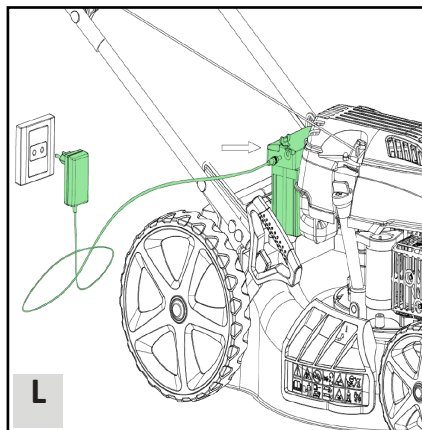


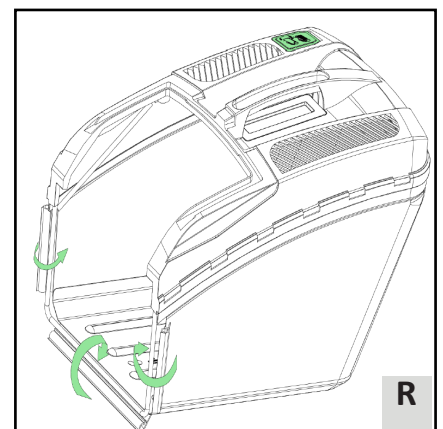
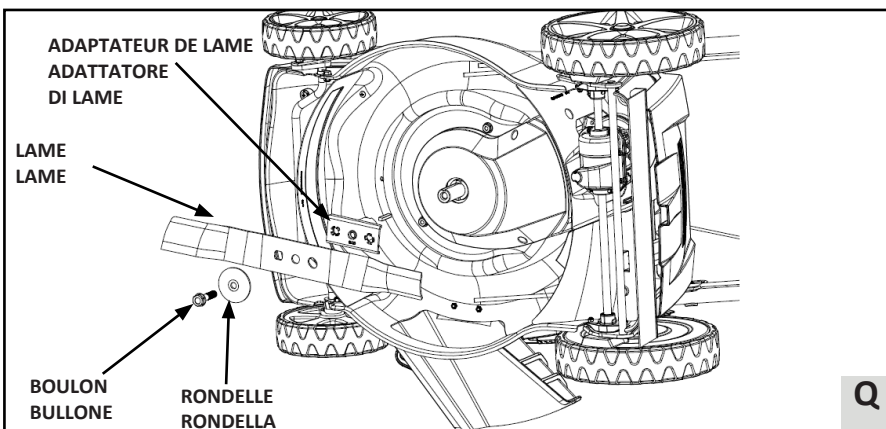
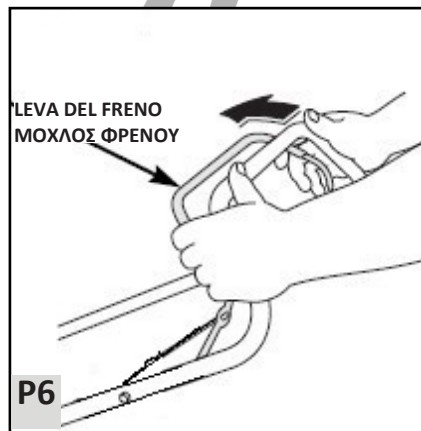
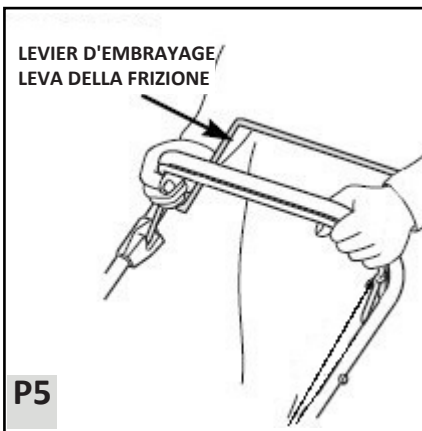
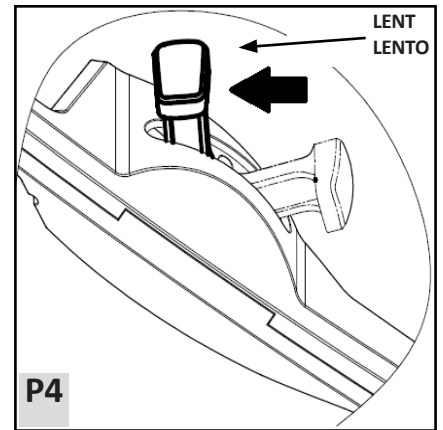
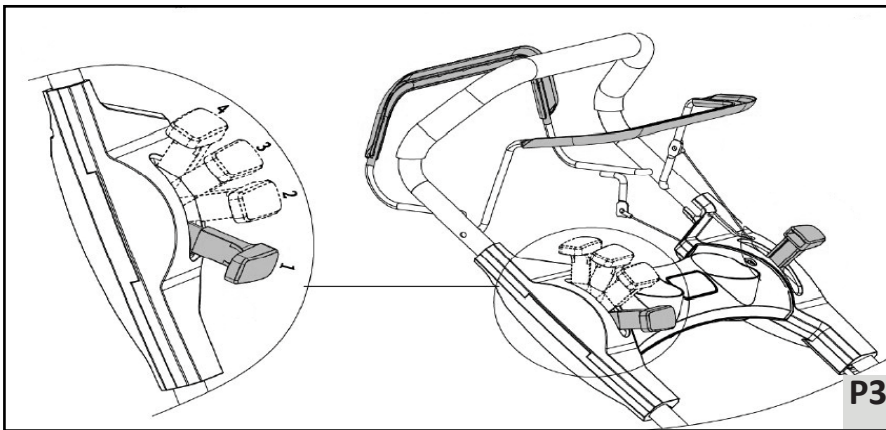
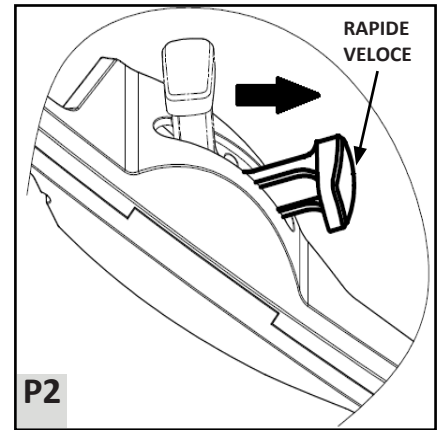
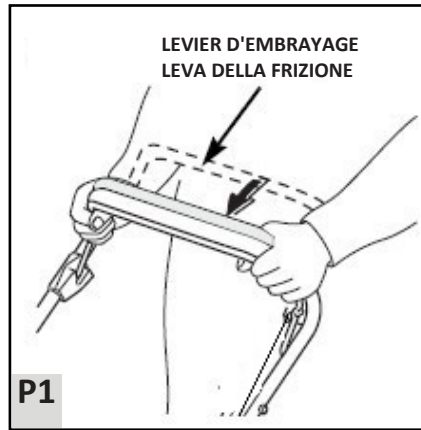
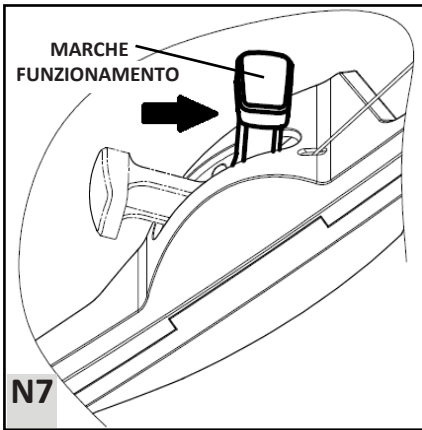




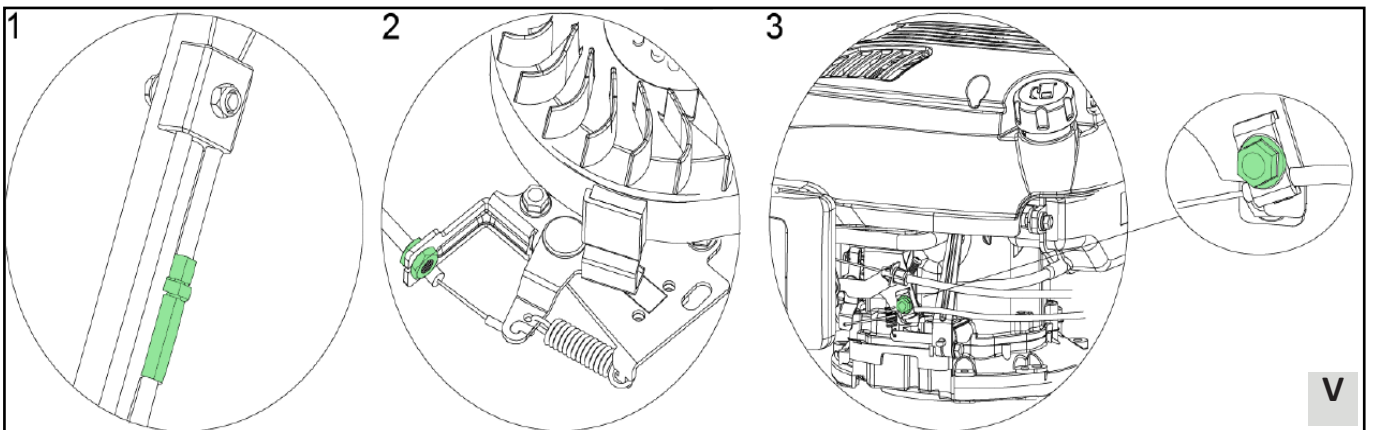
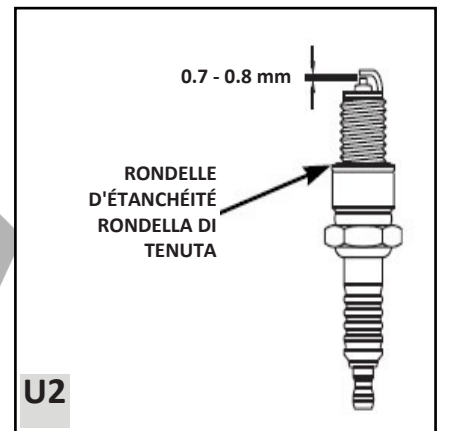
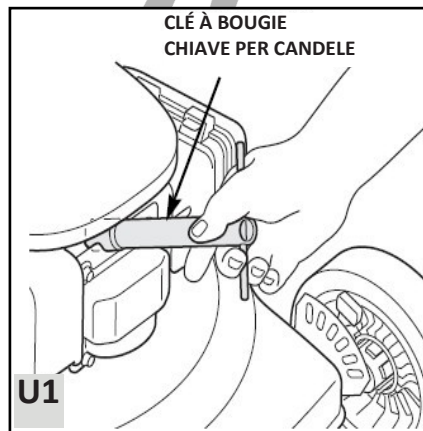
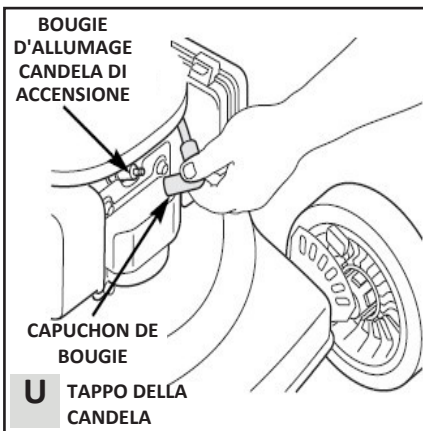
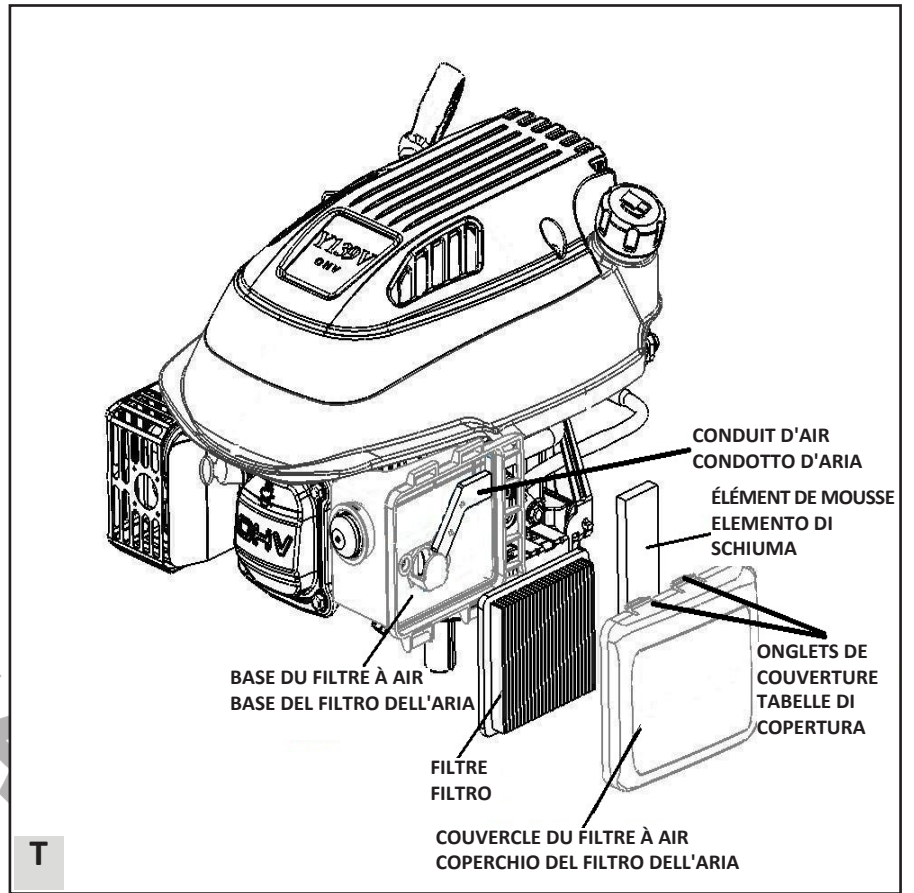
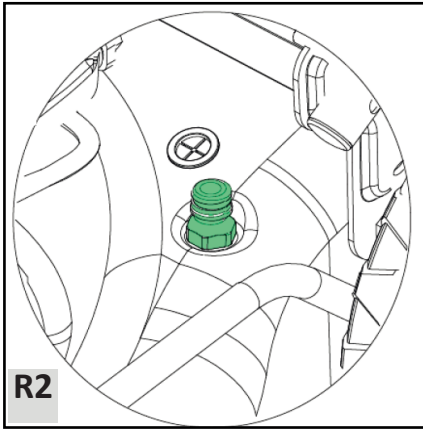


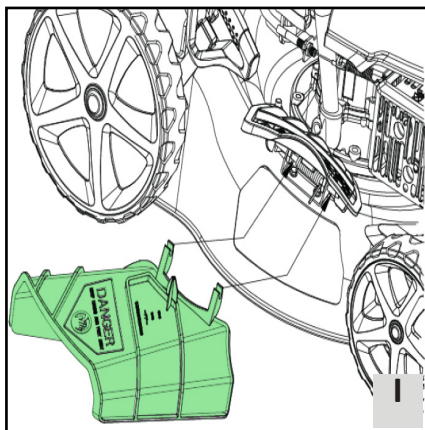
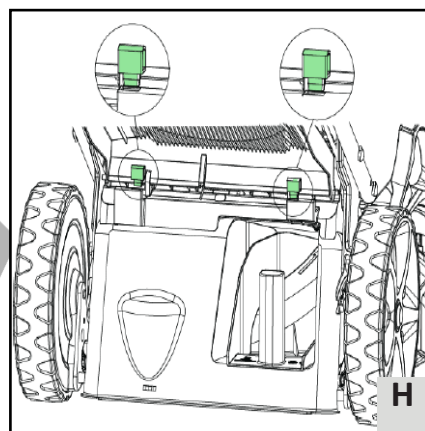
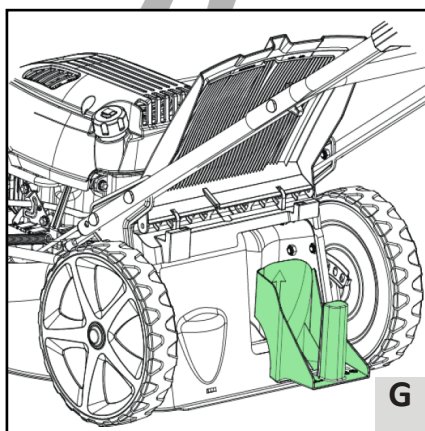
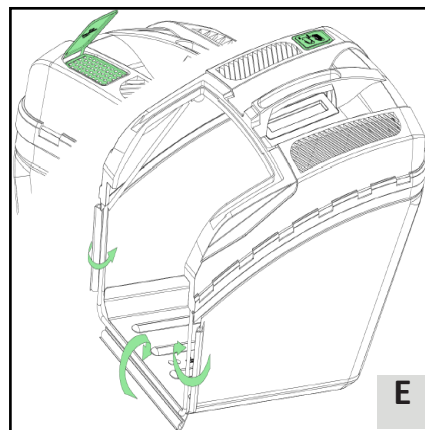
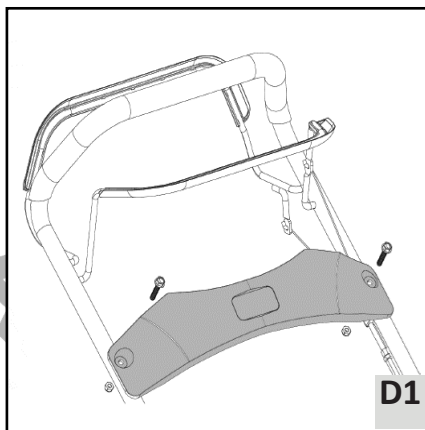
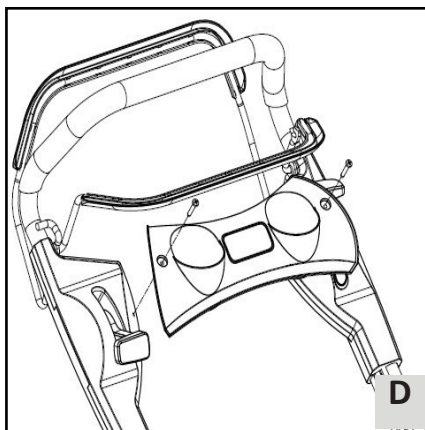
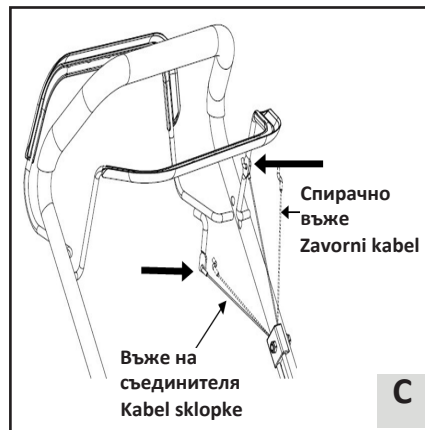
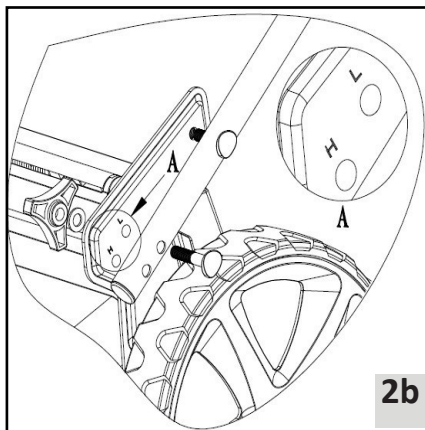
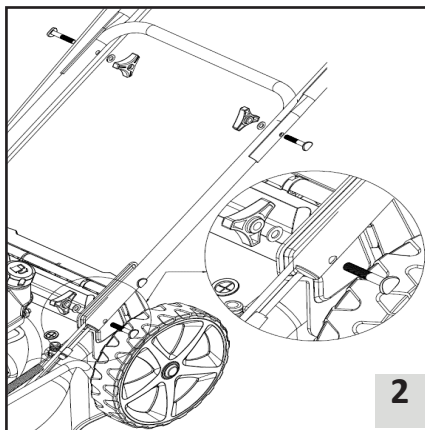


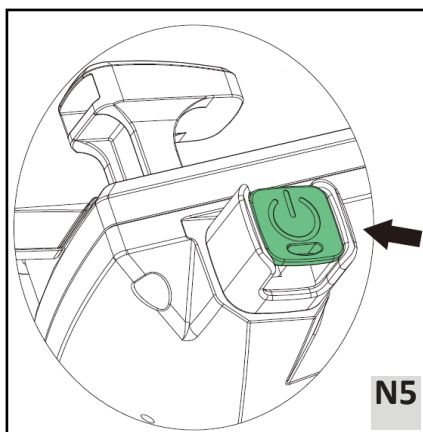
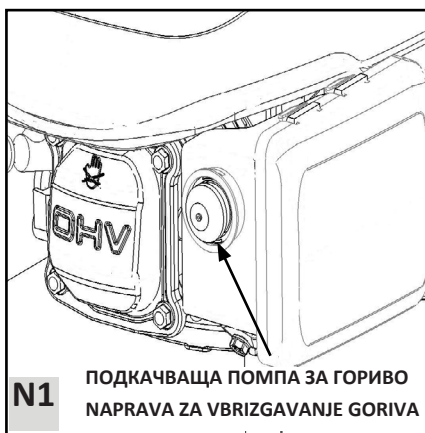
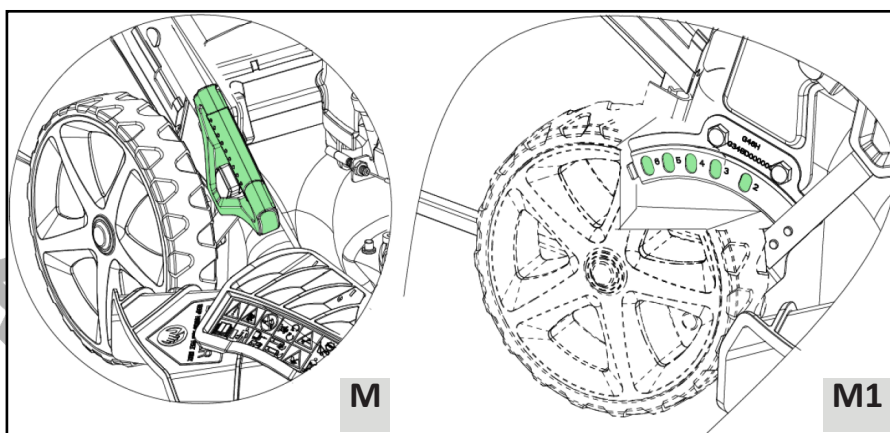
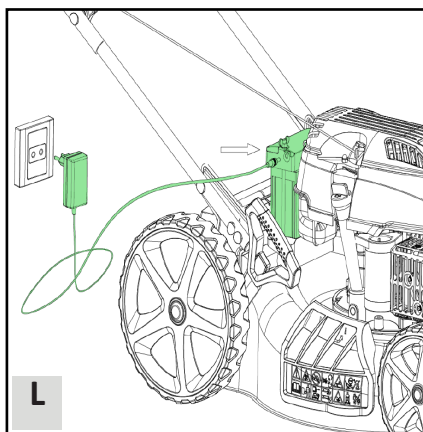


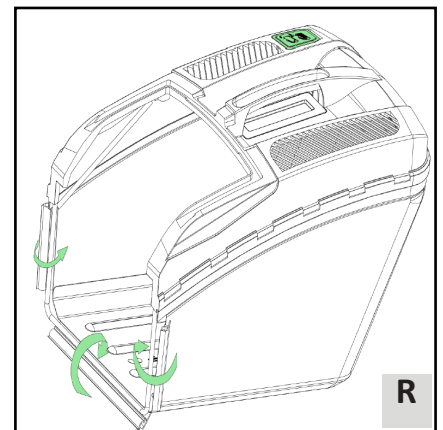
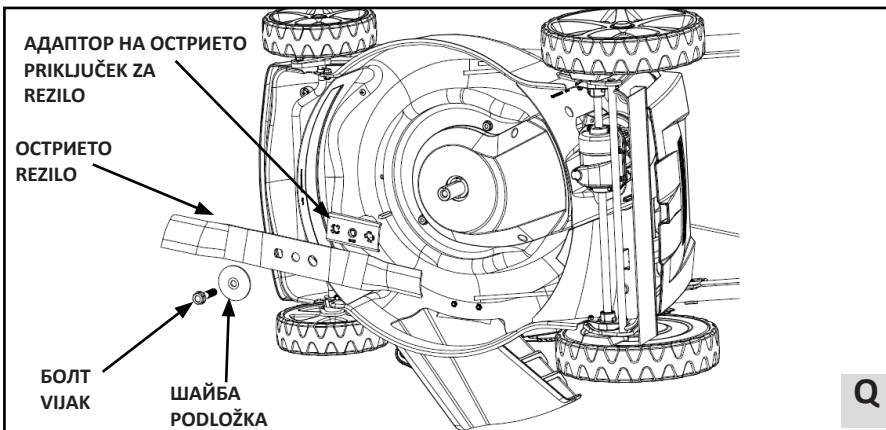
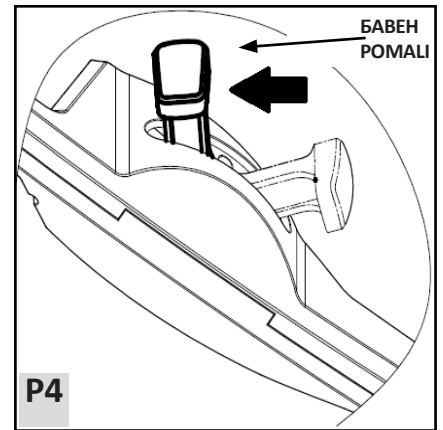
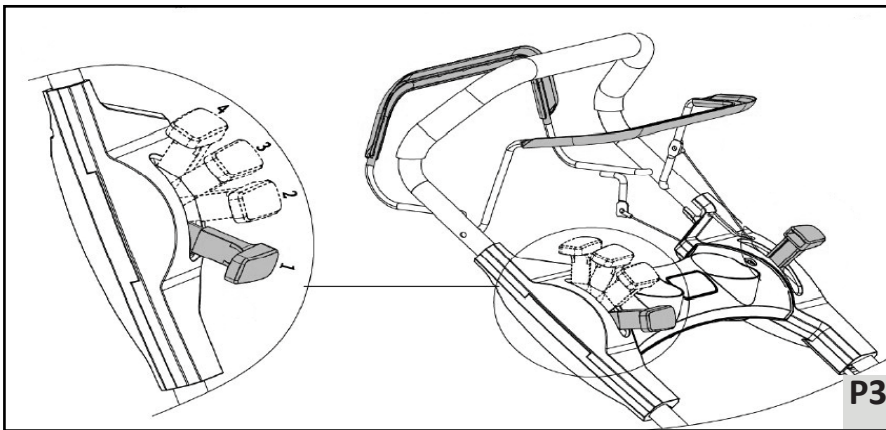
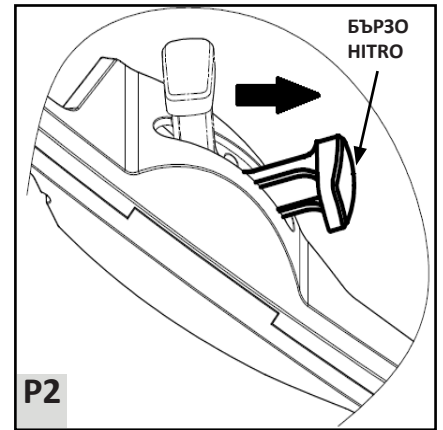
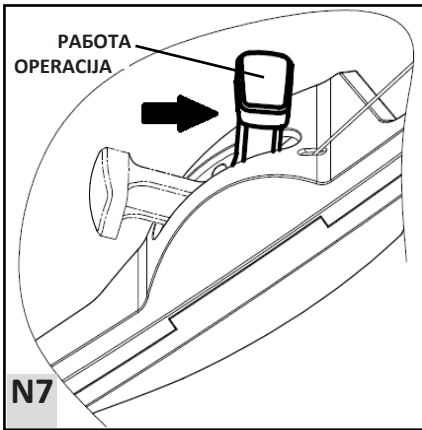


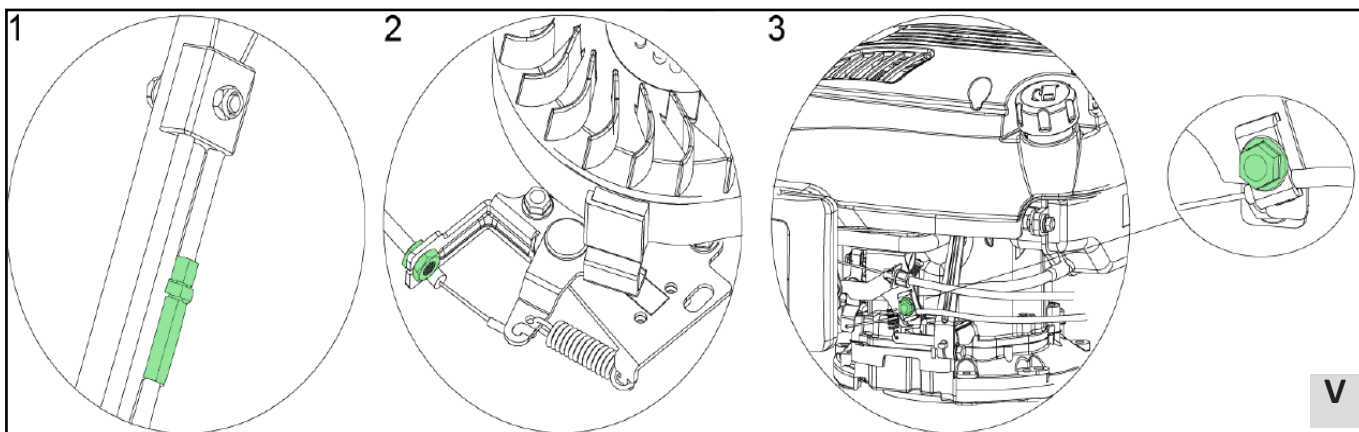
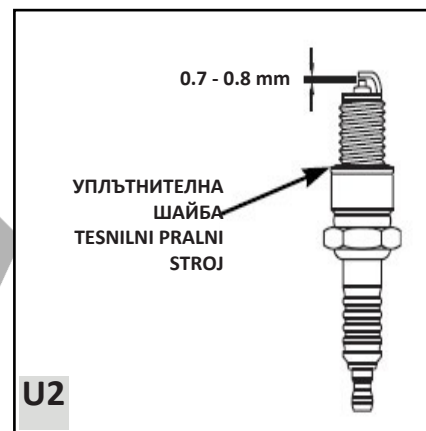
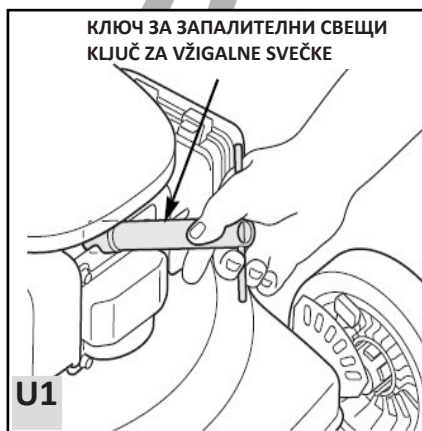
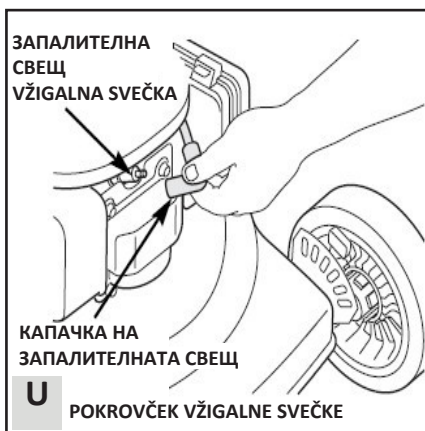
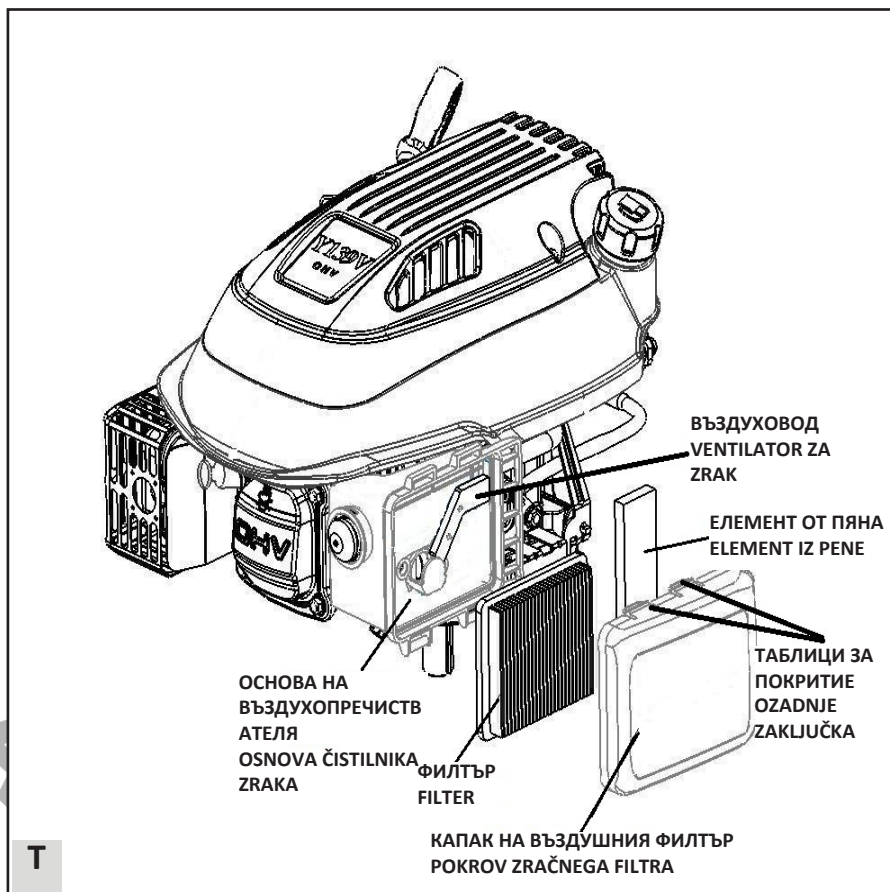
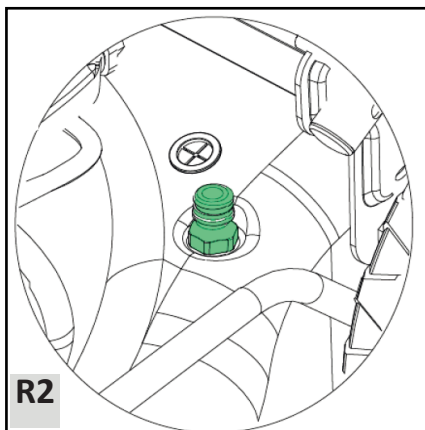


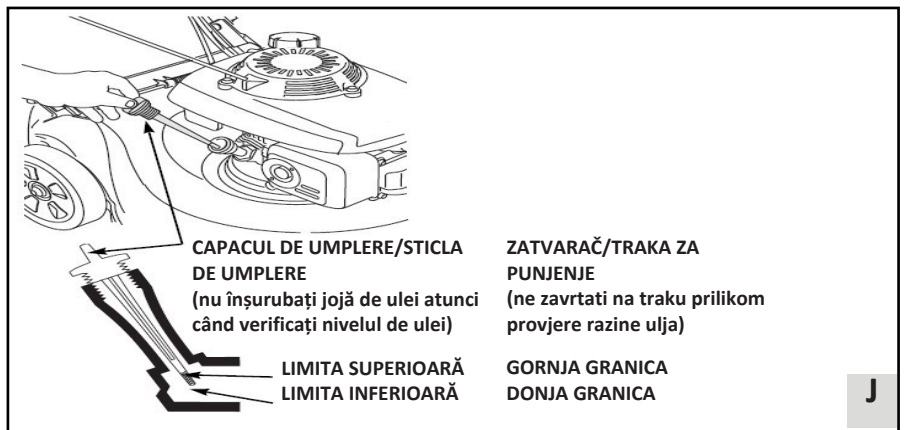
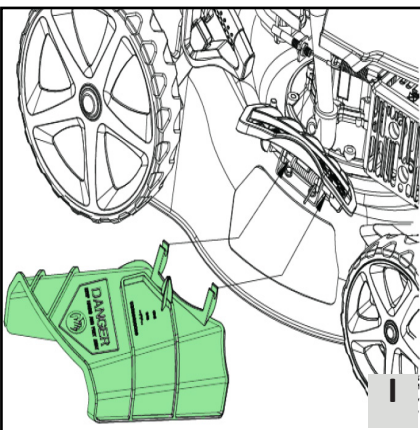
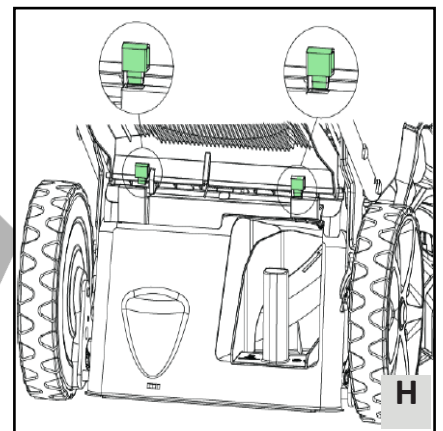
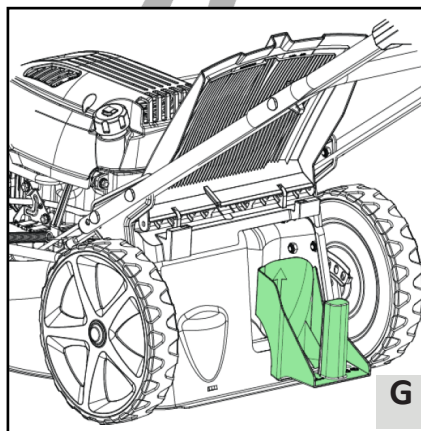
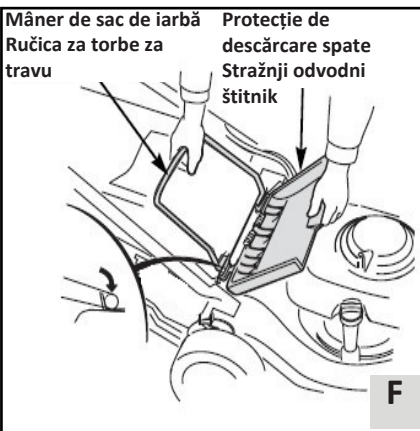
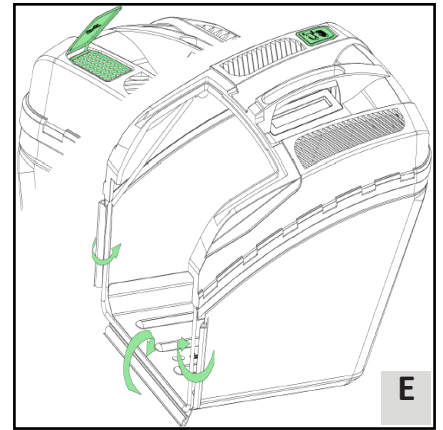
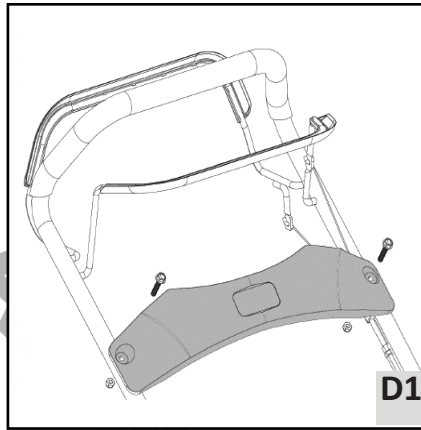
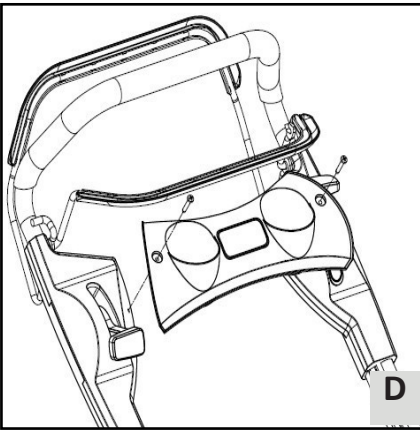
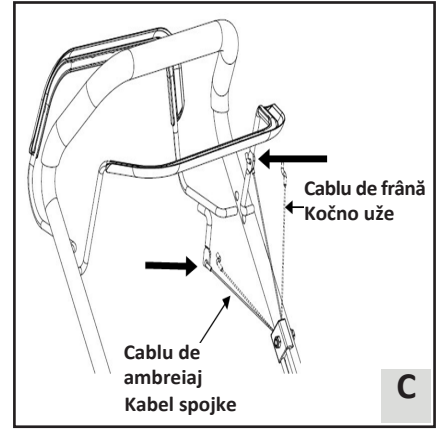
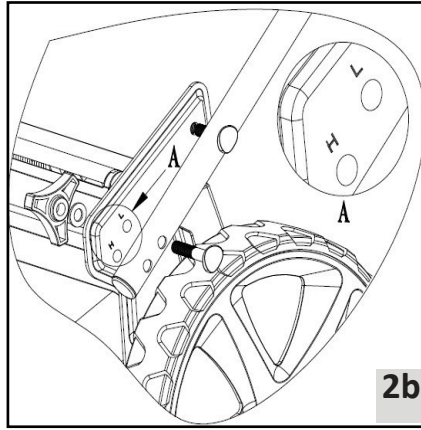
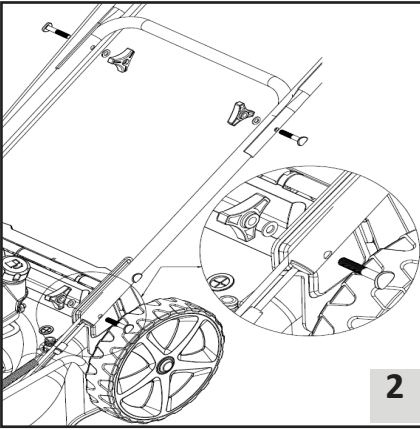


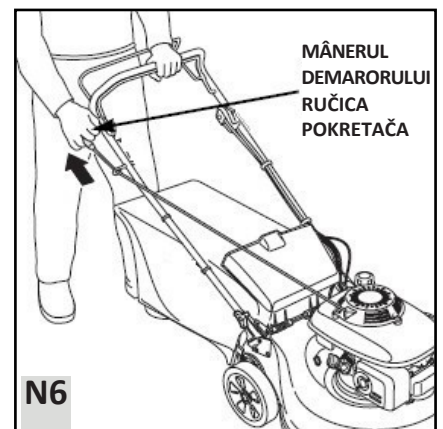
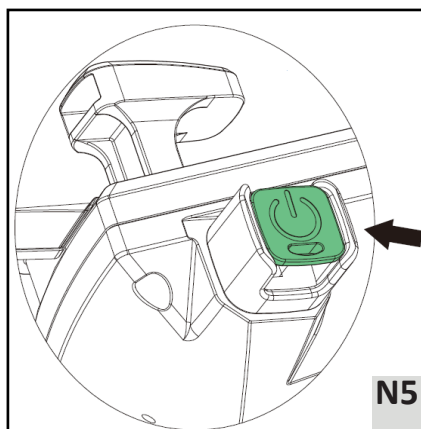
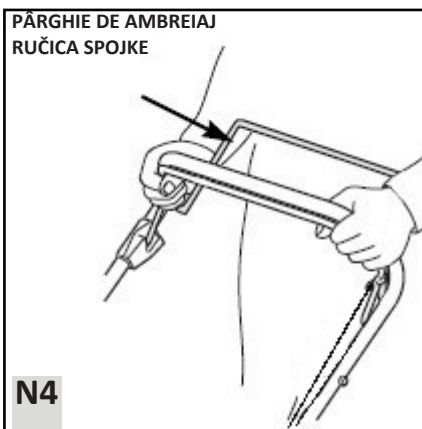
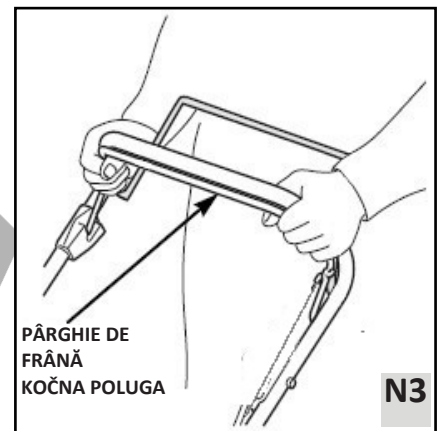
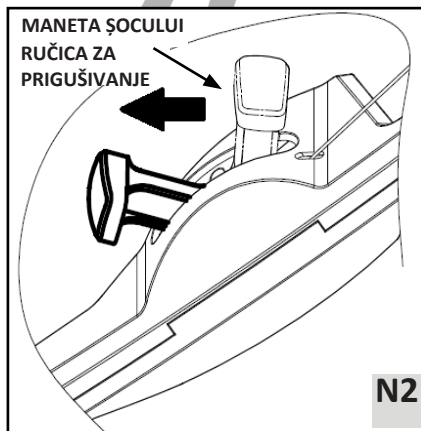
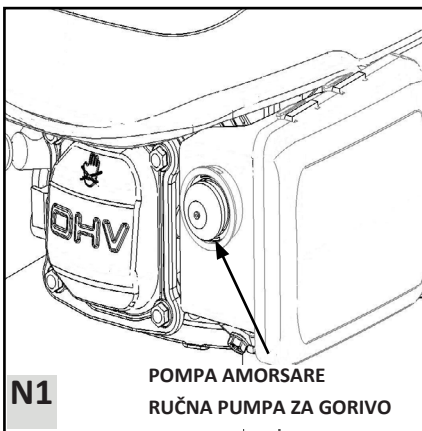
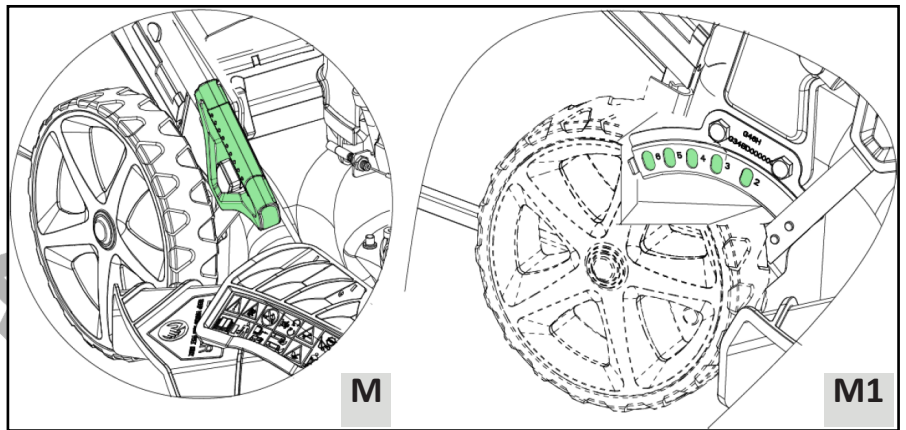
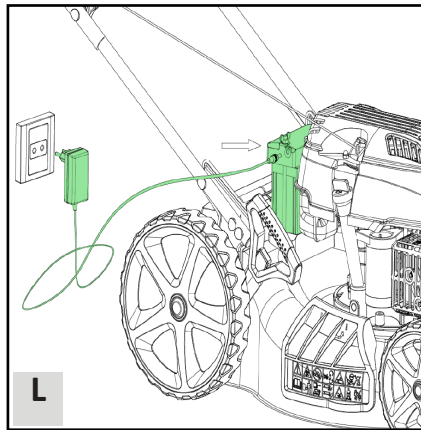


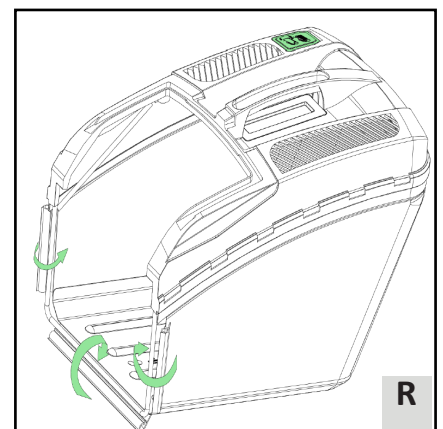
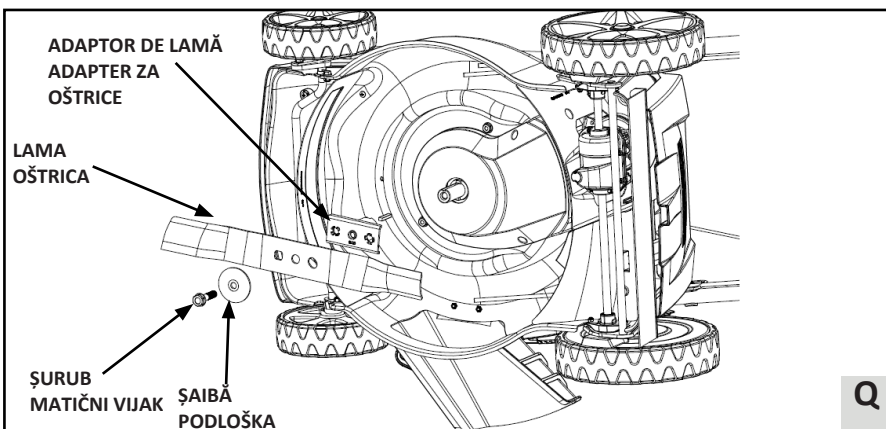
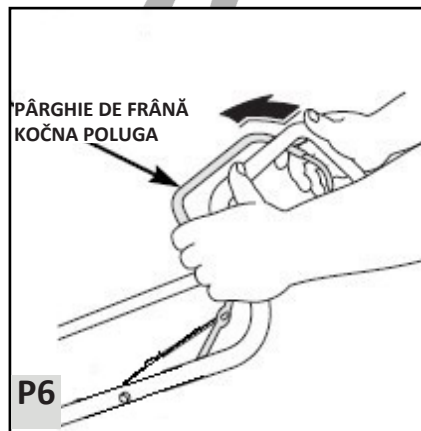
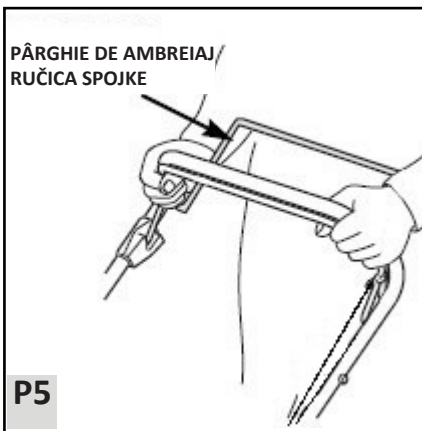
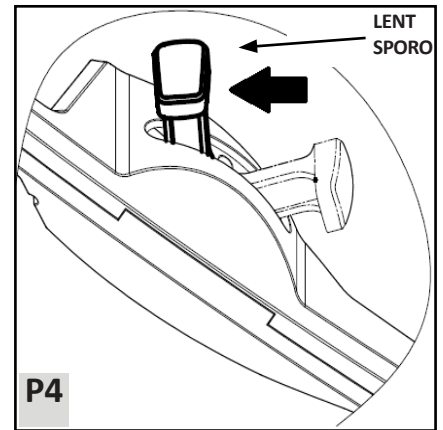
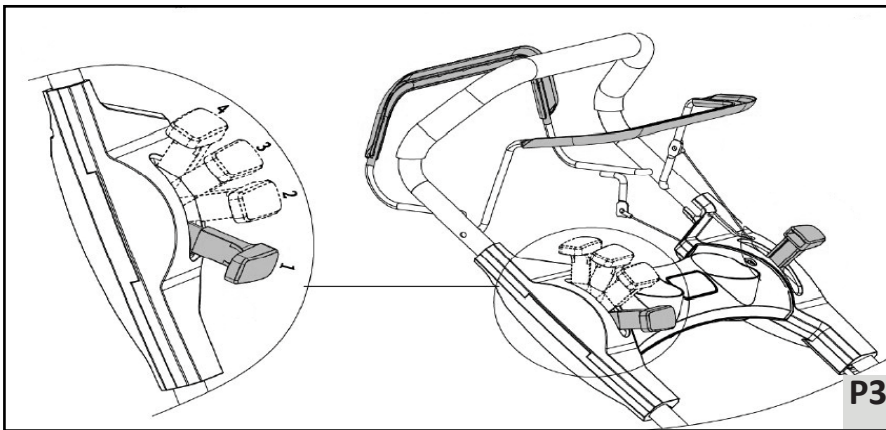
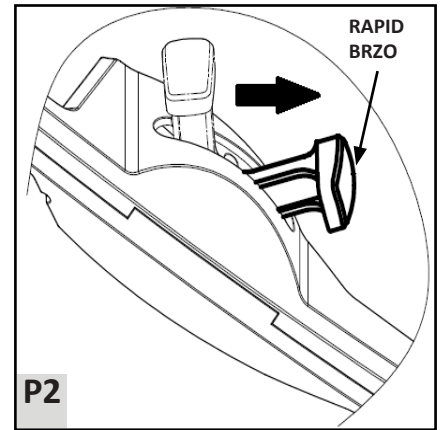
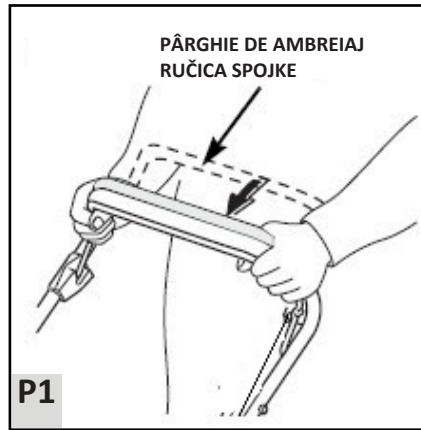
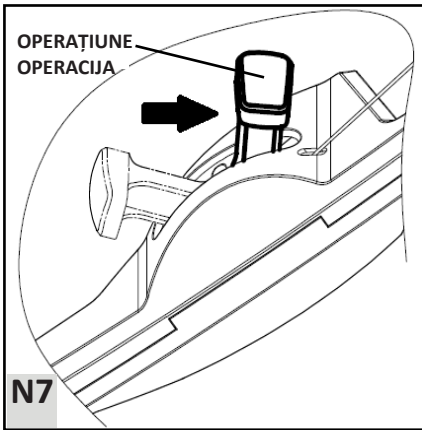




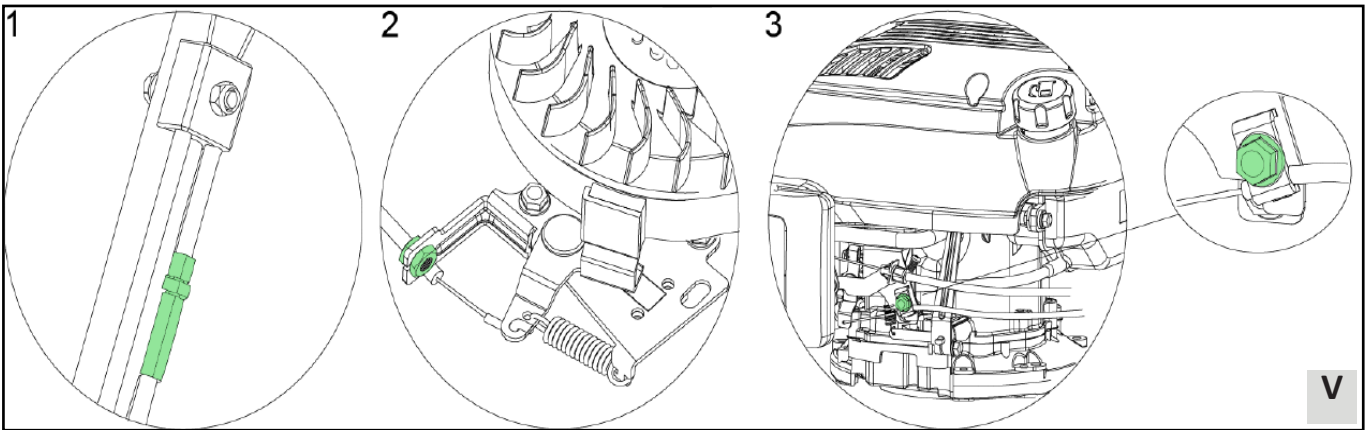
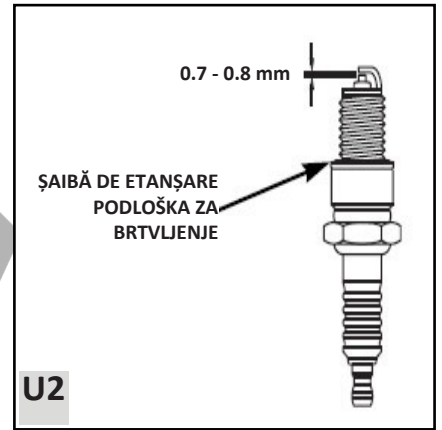
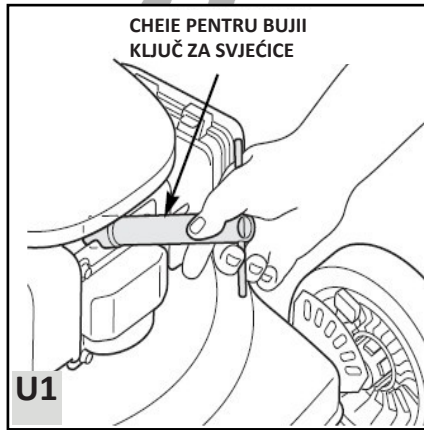
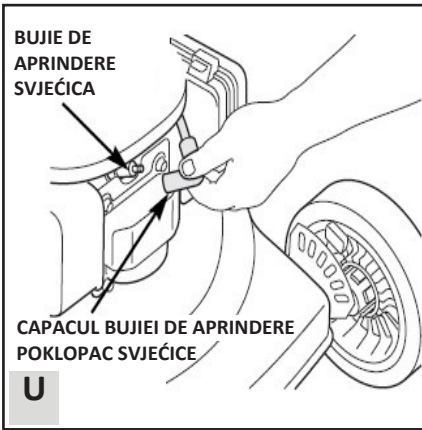
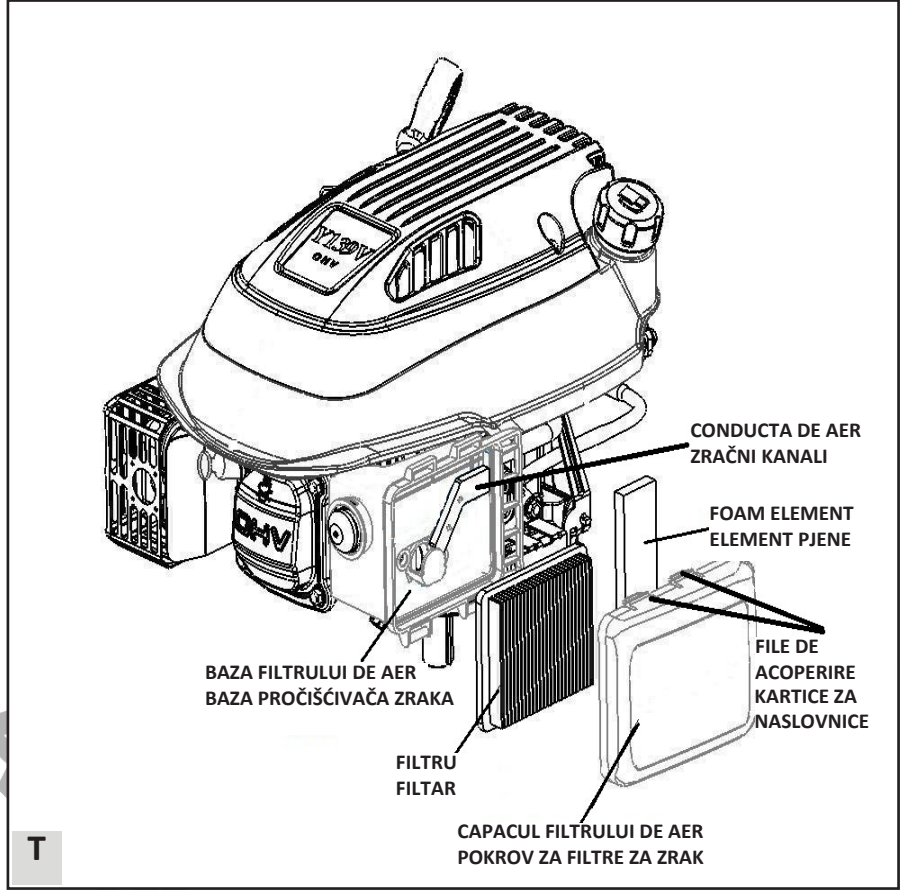
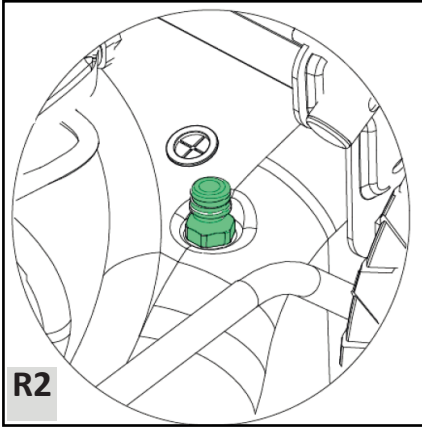














Thank you for choosing our Gasoline Lawnmower.

To ensure that you get the best results from your Gasoline Lawnmower please read all of these safety and operating instructions carefully before using this product.

## Safety instructions

Your safety and the safety of others are very important. We have provided important safety messages in this manual and on the mower. This information alerts you to potential hazards that could hurt you or others. Please read these messages carefully.

Of course, it is not practical or possible to warn you about all the hazards associated with operating or maintaining a lawn mower. You must use your own good judgment.

- Read the instruction manual before using the machine.
- Keep other people at a safe distance while working
- Remove the spark plug cable from the spark plug and read instructions before carrying out any repair or maintenance.
- Blades in movement. Do not put hands or feet near or under the opening of the cutting plate.
- Do not use on hills above 22°
- Do not touch rotating parts.
- Stop the engine before cleaning of work area.
- Warning: Always use correct tools and original spare parts.
- Warning: The blade is sharp, do not touch the blade.
- Keep bystanders, especially children away!

### General Conditions Of Use

This machine is to be used exclusively for cutting natural grass. Never use the mower for other purposes. Any other utilization can involve danger for your safety and can involve damage to the mower.

Persons under 16 years of age and persons who are not familiar with the user instructions must not use the mower.

The user is responsible of the safety of other people in the working area. Keep children and domestic animals at a safe distance while the mower is in use. Before mowing, remove all foreign object from the lawn which may be thrown by the machine, stay alert for any foreign objects which may have been missed.

- Check that all nuts, bolts and screws are well tightened.
- Before mowing place the grass catcher in its position.
- Before mowing make sure that the blade and the blade fixing screw are securely fastened. When cutting edges require sharpening, this must be done evenly on both sides so as to prevent any imbalance. If the blade is damaged, it must be replaced.
- When mowing always wear a long trousers and strong footwear.
- Do not run the engine in an enclosed and/or poorly ventilated area, where gas of the engine contains carbon monoxide, which are dangerous for your health.
- Work only when there is sufficient light.
- Do not use the lawnmower when it is raining or when the grass is wet.
- Particular precautions must be taken while mowing on slopes or downing stretches. Mow across the face of slopes, never down or up.
- Turn off the engine if you must leave the lawnmower unattended, displace the lawnmower or incline it.
- Never lift the rear of the mower while starting the engine and never place your hands and feet underneath the deck or into the rear discharge chute while the engine is running.
- Never change in any way the rated speed of the engine.
- On the self-propelled mowers, disconnect the self-propelled system before starting the engine.
- Never lift or carry the mower while the engine is running.
- Stop the engine and remove the spark plug cover in these cases:
  - Before any operation under the deck or the grass rear discharge chute.
  - Before any maintenance, repairing or checking operations.
  - Before carrying, lifting or removing the mower.
  - If you leave the mower unattended or changing the cutting height.
  - To remove and emptying the grass catcher.
  - After hitting a foreign object, stop the engine and check thoroughly the mower in order to see if it is damage. Bring the mower in a agreed service station to do the repairing if necessary.

### Warning! After you stopped the engine the blade is still in motion during a few seconds.

- If the mower vibrates in an abnormal way, find the reasons why, and take your mower to an agreed service station.
- Check regularly that bolts, nuts and screw are regularly tightening for a safe use of the mower.

### Warning! GASOLINE IS HIGHLY INFLAMMABLE!

- Keep gasoline in a jerry can specially made for this purpose.
- Fill up the tank with a funnel, do the operation outside. Do not smoke. Do not use mobile phone.
- Fill up with gasoline and oil before starting the engine. Never open the cap of the fuel tank to add gasoline while the engine is running or still hot.
- Do not start the engine if there is some gasoline spread around, take the mower away from the one where gasoline have been split and avoid any contact from a hot source as long as the split gasoline is completely evaporated.
- Tighten the fuel tank cap and close tightly the jerry can cap.

**Safety Symbols**



Read the instruction manual before using the machine.



Keep other people at a safe distance while working



Remove the spark plug cable from the spark plug and read instructions before carrying out any repair or maintenance.



Blades in movement. Do not put hands or feet near or under the opening of the cutting plate.



Do not use on hills above 22°



Do not touch rotating parts.



Stop the engine before cleaning of work area.

**Assembly**

**Unpacking**

Remove lawn mower from carton and check thoroughly for additional loose parts.

**Handle Setup**

Open out the handle and screw the handles parts with the four screws and knobs. Put the recoil starter on the right of the handle and fix the cable with the plastic collar. Introduce the rope of the recoil starter handle on its support guide rope.

**Handle Bar Height Adjustment (Pictures 2 and 2b)**

If you want to adjust height of the handle bar, you can choose "L" or "H" two holes in left-right Bracket to fix the handle bar with screws and knobs. The "H" hole is high position of the handle bar, and the "L" hole is low position of the handle bar.

**Brake & Clutch Cable Setup (Picture C)**

Insert the brake cable and clutch cable in to the hole of appropriate lever, see the illustration. The arrow indicates where the cable should loop through.

**Panel Setup (Pictures D and D1)**

Take out panel and two screws or bolts in a bag from carton, and fix the panel with screws.

\* Note: Different model have different panel. Not all models do have middle Panel.

**Grass Bag Assembly (Pictures E and F)**

• Clip the plastic edges of the bag onto the frame and attach the clips as shown.

The grass collector comes with a handy indicator showing whether the box is full of grass and needs emptying.

• Lift the rear discharge guard, remove the mulching plug, and install the grass bag.

**Mulching plug (Picture G)**

The mulching plug helps to curve the inside of the mower deck for more efficient mulching. Install and remove the mulching plug by raising the rear discharge guard as shown. The mulching plug only fits one way. Remove the mulching plug when using a grass bag.

**Rear Discharge Guard Props (Picture H)**

Take out two supports in a bag from carton, and lift the rear discharge guard, install the two supports which can hold the rear discharge guard, and this can make the grass out more efficiently from the deck.

**Side Discharge Cover Assembly (Picture I)**

Lift the side discharge guard, install the side discharge cover.

Only Mulching: please remove the side discharge cover.

\* Note: Not all models do have side discharge guard

## Before Operation

### Engine Oil (Picture J)

The mower is shipped without oil in the engine.

All engines are run at the factory prior to packaging. Most of the oil is removed prior to shipment; however, some oil remains in the engine. The amount of oil left in the engine varies.

Add enough oil to bring the oil level between the upper and lower limit marks on the dipstick as shown. Do not overfill engine with oil

### Fuel (Picture K)

Notice: Engine delivered without gasoline, refuel 1.0 liter of before starting the engine.

- Remove the filler cap
- Add fuel to the bottom of the fuel level limit in the neck of the fuel tank. Do not overfill. Wipe up spilled fuel before starting the engine.
- Tighten the fuel tank cap

Gasoline is extremely flammable, and gasoline vapour can explode, causing serious injury or death. Use extreme care when handling gasoline. Keep out of reach of children.

Refuel in a well-ventilated area with the engine stopped. Do not smoke or allow flames or sparks in the area where the engine is refuelled or where gasoline is stored. Avoid repeated or prolonged contact with skin or breathing of vapour.

After refuelling, tighten the fuel tank cap securely. If any fuel was spilled, make sure the area is dry before starting the engine.

### Charging the battery (Picture L)

Charge the battery before use Before the electric start function is used, the battery must be charged for 5 hours. Put the charger plug into the hole in the battery and connect the charger to a power supply.

\* Note: Not all models have Electric Start Function.

### Cutting Height Adjustment (Picture M and M1)

Check the cutting height settings, and make any necessary adjustments.

Warning! The blade can cause serious injury. Stop the engine before adjusting cutting height.

## Operating Instructions

### Starting The Engine (Picture N1-N7)

- Primer

In cold condition, it's necessary to push the primer button on the air filter before pulling the starter handle.

Temperature	Push times
<0°C	3-4
0°C ~10°C	2-3
10°C ~ 20°C	1-2
>20°C	1

We also should put more fuel to mix air for easy start. When you push the primer button, it will pump the fuel direct from carburettor to burning house.

\* Note: Not all models have this PRIMER.

• Move the choke lever to the "CHOKE" position (Not equipped on all models).

\* Note: Not all models have this choke lever.

• Pull back on the brake lever and hold it against the handle.

• Release the clutch lever. This will prevent the mower from moving forward when you operate the starter.

\* Note: Not all models have this clutch lever.

• If the models have electric start function, please press the E-starting button lightly, the engine will be started.

\* Note: Not all models have Electric Start Function.

• With the starter handle in its support, take the starter handle with your right hand and pull slowly as far as to have a resistance, then pull energetically on the starter handle with starter rope through the support (If the cold start is not sufficient enough, repeat this operation 2 or 3 times).

• Immediately after the start, push back the choke lever from "CHOKE" position to "RUN" position (If the temperature is low, allow the engine to run for a few minutes before starting to work).

\* Note: Not all models have this choke lever.

### Operation The Controls for Mowing (Picture P1-P6)

Blade is in action as soon as engine started. While the machine is working maintain the security handle in working position. The engine will stop as soon as you release the engine control bar.

Release the lever to stop the engine whenever you need to leave the mower.

### Clutch Lever

Push the clutch lever forward and hold it against the handlebar to propel the mower forward.

Release the clutch lever to stop the mower's forward movement.

Always release the clutch lever before starting the engine. If the clutch is engaged, the mower will move forward.

Operate the clutch lever with a quick and complete motion, so the clutch is either fully engaged or fully released. Hold the clutch lever against the handlebar during self-propelled mowing. This will help to extend the service life of the clutch mechanism.

### Throttle Lever

For best cut quality, always mow with the throttle lever in the "FAST" position. When the blade rotate at the preset fast speed, it creates a strong fan action that lifts and cuts grass more efficiently.

\* Note: Not all models have this Throttle lever.



### Variable speed Lever

Speed can be adjusted from 2.7 – 5.0 km/h while driving. Activate the right handle on the dashboard and set in one of the 4 different speeds. When driving in one the two lowest speeds the pace difference will not vary significantly.

\* Note: Not all models have this Throttle lever.

### Stop Engine

Move the throttle lever to the "SLOW" position.

\* Note: Not all models have this Throttle lever.

- Release the clutch lever.
- Release the brake lever.

Warning! The blade will continue to rotate for a few seconds after the engine has stopped. Disconnect the spark plug cap if the lawnmower is to be left unattended.

## Maintenance

**IMPORTANT Regular, careful maintenance is essential for keeping the safety level and original performance of the machine unchanged in time.**

- Keep all nuts, bolts and screws tight to be sure the equipment is in safe working condition. Regular maintenance is essential for safety and performance.
- Never store the equipment with fuel in the tank inside a building where vapour may reach a flame or a spark or a source of extreme heat.
- Allow the engine to cool before storing in an enclosed space.
- To reduce the fire hazard, keep the engine, exhaust silencer, battery compartment and fuel storage area free of grass, leaves, or excessive grease. Do not leave containers with grass cuttings in rooms.
- For reasons of safety, do not use the equipment with worn or damaged parts. Parts are to be replaced and not repaired. Use genuine spare parts (blades should always bear the symbol). Parts that are not of the same quality can damage the equipment and be dangerous for your safety.
- If the fuel tank has to be drained, this should be done outdoors and when the engine is cool.
- Wear strong work gloves when removing and reassembling the blade.
- Check the blade's balance after sharpening.
- Check the self-closing guard and grass-catcher frequently for wear and deterioration.
- Whenever the machine is to be handled, transported or tilted you must:
  - Wear strong working gloves;
  - Grasp the machine at the points that offer a safe grip, taking account of the weight and its distribution.

### Blade

#### Inspection

- Tilt the mower to the right, so the air cleaner side is up. This will help to prevent fuel leakage and hard starting.
  - Inspect the blade for damage, cracks and excessive rust or corrosion.
- A dull blade can be sharpened, but a blade that is excessively worn, bent, cracked, or otherwise damaged must be replaced.
- A torque wrench must always be used when installing the blade.
- Check that the blade bolts are tight.

#### Removal and installation (Picture Q)

If you remove the blade for sharpening or replacement, you will need a torque wrench for installation. Wear heavy gloves to protect your hands.

- Remove the bolt with a socket wrench. Use a wooden block to prevent the blade from turning when removing the bolt. Then remove the blade.
- Install the blade using the blade bolt and special washers. Be sure to install the special washers with the concave side toward the blade and the convex side toward the bolt.
- Tighten the blade bolt with a torque wrench. Use a wooden block to prevent the blade from turning when tightening the bolt.

#### Grass Bag Cleaning and Replacement (Picture R)

##### Cleaning

Wash the bag with a garden hose, and allow it to dry completely before use; a wet bag will clog quickly.

##### Replacement

- Unclip the plastic edges of the bag from the frame, remove the bag from the upper cover.
- Insert the fabric bag into the upper cover, clip the plastic edges of the bag onto the frame.

#### Water Nozzle (Picture R2)

- The left side of the mower deck is fitted with a water nozzle for washing the deck.
- When using the water nozzle, the machine must be in the lowest height position and placed on the lawn. This ensures that the water remains under the deck during cleaning.
- Attach a hose to the nozzle.
- Turn on the water and start the engine.
- The rotations of the blades will ensure that the water will clean the underside of the deck.

Note: Not all models have water nozzle.

## Engine Maintenance

### Check Engine Oil Level (Picture J)

Check the engine oil level with the engine stopped and the mower.

- Remove the oil filler cap, and wipe the dipstick clean.
- Insert the dipstick into the oil filler neck, but do not screw it in.
- Check the oil level shown on the dipstick. If near the lower, fill to the upper level with the oil. Do not overfill.
- Screw in the filler cap securely.

**Notice: Running the engine with a low oil level will cause engine damage.**

### Change Engine Oil

- Drain the used oil while the engine is warm. Warm oil drains quickly and completely.
  - Wipe the oil filler area clean, then remove the oil filler cap/dipstick.
  - Place a suitable container next to the mower to catch the used oil, then tilt the mower on its right side. The used oil will drain through the filler neck. Allow the oil to drain completely.
  - Please dispose of used motor oil and the containers in a manner that is compatible with the environment. We suggest you take it in a sealed container to your local recycling center or service station for reclamation. Do not throw it in the trash, pour it on the ground, or pour it down a drain.
  - Fill with the recommended oil. Do not overfill. Allow a couple of minutes for the oil to settle down in the engine, then measure the oil level.
- \* Some models are equipped with an oil drain bolt; Untighten and remove the oil drain bolt and let the oil drain in the container. Make sure to tighten securely the drain bolt and add the sealing washer (if included before adding oil).

### Air Cleaner Service (Picture T)

Notice: Operating the engine without an air cleaner, or with a damaged air cleaner, will allow dirt to enter the engine, causing rapid engine wear.

- Press down on the cover tabs and remove the cover.
- Remove the filter from the air cleaner base.
- Inspect the filter and foam element, and replace it if damaged.
- Clean the filter by tapping it several times on a hard surface to remove dirt, or blow compressed air through the air filter from the inside. Never try to brush off dirt; brushing will force dirt into the fibers.
- Wipe dirt from the inside of the air cleaner base and cover, using a moist rag. Be careful to prevent dirt from entering the air duct that leads to the carburettor.
- Reinstall the filter and cover.

### Spark Plug Service (Picture U - U1 - U2)

For good performance, the spark plug must be properly gapped and free of deposits.

- Disconnect the spark plug cap and remove any dirt from around the spark plug area.
- Remove the spark plug with a spark plug wrench.
- Inspect the spark plug. Replace it if the electrodes are worn, or if the insulator is cracked or chipped.
- Measure the spark plug electrode gap with a suitable gauge. The gap should be 0.028 ~ 0.031 in (0.7 ~ 0.8mm). Correct the gap, if necessary, by carefully bending the side electrode with a suitable tool.
- Install the spark plug carefully, by hand, to avoid cross-threading.
- Install the spark plug cap on the spark plug.

NOTICE: A loose spark plug can overheat and damage the engine. Over tightening the spark plug can damage the threads in the cylinder head.

### Cable Adjustment (Picture V)

Before the machine is being used, the cable adjustment should always be checked.

The cables can be checked by activating the handles fully and check if the cable is tight. If not, it must be tightened. If the handle cannot easily be fully activated, the cable should be loosened.

After first season, it must be expected that the cables need to be adjusted for optimal activation, as cables can stretch when used.

The following cables may be necessary to readjust:

1. Cable for drive
2. Cable for engine brake
3. Cable for throttle cable

## Maintenance Schedule

REGULAR SERVICE PERIOD(4)		Before	First	Every 3	Every 6	Every	Every
ITEM		Each	Month	Months	Months	Year	Two
Perform at every indicated month or operating hour interval, whichever comes first.		Use	or 5 Hrs	or 25 Hrs	or 50 Hrs	or 100 Hrs	Years or 250 Hrs
Engine oil	Check	O					
	Replace		O	O(2)			
Air cleaner	Check		O				
	Replace			O			
Spark plug	Check-adjust					O	
	Replace						O
Flywheel brake pad (A types)	Check					O	
Fuel tank and filter	Clean			O			
Fuel tube	Check	Every 2 years (Replace if necessary)					
Valve clearance	Check-adjust						O
Combustion chamber	Clean	After every 200 hours					

## Troubleshooting

ENGINE WILL NOT START	Possible Cause	Correction
1. Check fuel.	Out of fuel.	Refuel
	Bad fuel; engine stored without treating or draining gasoline, or refueled with bad gasoline	Drain the fuel tank and carburetor. Refuel with fresh gasoline.
2. Remove and inspect spark plug.	Spark plug faulty, fouled, or improperly gapped.	Replace the spark plug.
	Spark plug wet with fuel (flooded engine).	Dry and reinstall spark plug.
3. Take engine to an authorized our servicing dealer, or refer to shop manual.	Fuel filter clogged, carburetor malfunction, ignition malfunction, valves stuck, etc.	Replace or repair faulty components as necessary.
4. Push the prime button	In cold condition	Push the prime button.

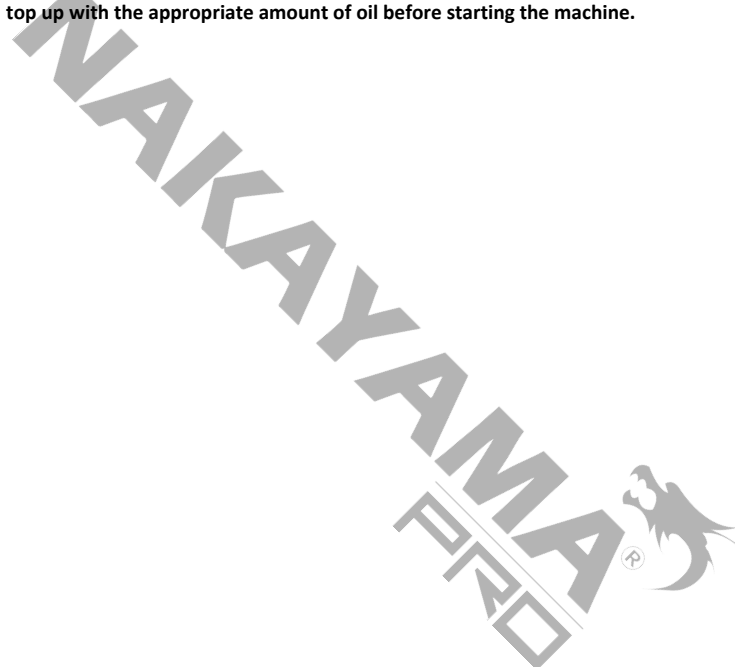
ENGINE LACKS POWER	Possible Cause	Correction
1. check air cleaner	Air cleaner elements clogged.	Clean or replace air cleaner elements
2. Check fuel	Bad fuel; engine stored without treating or draining gasoline, or refueled with bad gasoline.	Drain the fuel tank and carburetor. Refuel with fresh gasoline.
3. Take engine to an authorized our servicing dealer, or refer to shop manual.	Fuel filter clogged, carburetor malfunction, ignition malfunction, valves stuck, etc.	Replace or repair faulty components as necessary.

## Technical Data

Model:	PM4810	PM4820	PM4830	PM5310	PM5810
Displacement:	145cc	145cc	145cc	170cc	196cc
Engine type:	OHV Euro V	OHV Euro V	OHV Euro V	OHV Euro V	OHV Euro V
Cutting width:	42cm	46cm	46cm	51cm	53cm
Height adjustment:	25-75mm (6 settings)	25-75mm (6 settings)	25-75mm (6 settings)	25-75mm (6 settings)	25-75mm (6 settings)
Grass catcher capacity:	45L	65L	65L	65L	65L
Wheel Dim.:	150mm(FR)/180mm(R)	180mm(FR)/230mm(R)	180mm(FR)/230mm(R)	180mm(FR)/230mm(R)	200mm(FR)/280mm(R)
Type:	Hand push	Hand push	Self propelled	Self propelled	Self propelled
Engine oil type:	SAE 10w-30 or SAE20w50*	SAE 10w-30 or SAE 20w50*	SAE 10w-30 or SAE 20w50*	SAE 10w-30 or SAE 20w50*	SAE 10w-30 or SAE 20w50*
Recommended fuel:	Unleaded gasoline 94 Octane or higher	Unleaded gasoline 94 Octane or higher	Unleaded gasoline 94 Octane or higher	Unleaded gasoline 94 Octane or higher	Unleaded gasoline 94 Octane or higher
Functions:	3 in 1	3 in 1	3 in 1	4 in 1	4 in 1

\* Choose the appropriate type depending on the local environmental temperature.

**Attention! For safety reasons, the machine may be delivered without engine oil.  
Please check the engine oil level and top up with the appropriate amount of oil before starting the machine.**



\* The manufacturer reserves the right to make minor changes to product design and technical specifications without prior notice unless these changes significantly affect the performance and safety of the products. The parts described / illustrated in the pages of the manual that you hold in your hands may also concern other models of the manufacturer's product line with similar features and may not be included in the product you just acquired.

\* To ensure the safety and reliability of the product and the warranty validity, all repair, inspection, repair or replacement work, including maintenance and special adjustments, must only be carried out by technicians of the authorized service department of the manufacturer.

\* Always use the product with the supplied equipment. Operation of the product with non-provided equipment may cause malfunctions or even serious injury or death. The manufacturer and the importer shall not be liable for injuries and damages resulting from the use of non-conforming equipment.



Merci d'avoir choisi notre tondeuse à gazon à essence.

Pour vous assurer d'obtenir les meilleurs résultats avec votre tondeuse à gazon à essence, veuillez lire attentivement toutes les instructions de sécurité et d'utilisation avant d'utiliser cette tondeuse à gazon à essence.

## Instructions de sécurité

Votre sécurité et celle des autres sont très importantes. Des messages de sécurité importants figurent dans ce manuel et sur la tondeuse. Ces informations vous avertissent des risques potentiels qui pourraient vous blesser ou blesser d'autres personnes. Veuillez lire attentivement ces messages. Bien entendu, il n'est ni pratique ni possible de vous avertir de tous les risques liés à l'utilisation ou à l'entretien d'une tondeuse à gazon. Vous devez utiliser votre propre un bon jugement.

- Lisez le manuel d'instructions avant d'utiliser la machine.
- Maintenir les autres personnes à une distance de sécurité pendant le travail
- Retirez le câble de la bougie d'allumage et lisez les instructions avant d'effectuer toute réparation ou tout entretien.
- Lames en mouvement. Ne pas mettre les mains ou les pieds à proximité ou sous l'ouverture de la plaque de coupe.
- Ne pas utiliser sur des pentes supérieures à 22°.
- Ne pas toucher les pièces en rotation.
- Arrêter le moteur avant de nettoyer la zone de travail.
- Avertissement : Utilisez toujours les outils adéquats et les pièces de rechange d'origine.
- Avertissement : La lame est tranchante, ne la touchez pas.
- Éloignez les passants, en particulier les enfants !

## Conditions générales d'utilisation

Cette machine doit être utilisée exclusivement pour couper de l'herbe naturelle. Ne jamais utiliser la tondeuse à d'autres fins. Toute autre utilisation peut être dangereuse pour votre sécurité et peut endommager la tondeuse.

Les personnes âgées de moins de 16 ans et celles qui ne connaissent pas le mode d'emploi ne doivent pas utiliser la tondeuse.

L'utilisateur est responsable de la sécurité des autres personnes se trouvant dans la zone de travail. Maintenez les enfants et les animaux domestiques à une distance suffisante pendant l'utilisation de la tondeuse. Avant de tondre, enlevez tous les objets étrangers de la pelouse qui pourraient être projetés par la machine, et restez attentif à tout objet étranger qui aurait pu être manqué.

- Vérifiez que tous les écrous, boulons et vis sont bien serrés.
- Avant de tondre, placez le bac à herbe dans sa position.
- Avant de tondre, assurez-vous que la lame et la vis de fixation de la lame sont bien fixées. Lorsque les arêtes de coupe doivent être réaffûtées, il faut le faire uniformément des deux côtés afin d'éviter tout déséquilibre. Si la lame est endommagée, elle doit être remplacée.
- Lorsque vous fauchez, portez toujours un pantalon long et des chaussures solides.
- Ne faites pas tourner le moteur dans un endroit fermé et/ou mal ventilé, où les gaz du moteur contiennent du monoxyde de carbone, dangereux pour votre santé.
- Ne travaillez que lorsque la lumière est suffisante.
- N'utilisez pas la tondeuse à gazon lorsqu'il pleut ou que l'herbe est mouillée.
- Des précautions particulières doivent être prises lors de la tonte de pentes ou de descentes. Tondre en travers des pentes, jamais en bas ou en haut.
- Arrêtez le moteur si vous devez laisser la tondeuse sans surveillance, la déplacer ou l'incliner.
- Ne soulevez jamais l'arrière de la tondeuse pendant le démarrage du moteur et ne placez jamais vos mains ou vos pieds sous le plateau de coupe ou dans la goulotte d'éjection arrière pendant que vous utilisez la tondeuse.
- Ne modifiez jamais, de quelque manière que ce soit, le régime nominal du moteur.
- Sur les tondeuses autotractées, débranchez le système autotracté avant de démarrer le moteur.
- Ne jamais soulever ou porter la tondeuse lorsque le moteur est en marche.
- Dans ce cas, arrêtez le moteur et retirez le couvercle de la bougie d'allumage :
  - Avant toute opération sous le plateau de coupe ou la goulotte d'éjection arrière de l'herbe.
  - Avant toute opération d'entretien, de réparation ou de contrôle.
  - Avant de transporter, de soulever ou de déposer la tondeuse.
  - Si vous laissez la tondeuse sans surveillance ou si vous changez la hauteur de coupe.
  - Pour retirer et vider le bac à herbe.
- Après avoir heurté un objet étranger, arrêtez le moteur et vérifiez soigneusement la tondeuse pour voir si elle est endommagée. Apportez la tondeuse dans une station service agréée pour effectuer les réparations si nécessaire.

### Attention ! Après avoir arrêté le moteur, la lame reste en mouvement pendant quelques secondes.

- Si la tondeuse vibre de manière anormale, cherchez-en les raisons et amenez-la dans une station-service agréée.
- Vérifiez régulièrement que les boulons, écrous et vis sont correctement serrés pour une utilisation sûre de la tondeuse.

### Attention ! L'ESSENCE EST HAUTEMENT INFLAMMABLE !

- Conservez l'essence dans un jerrycan spécialement conçu à cet effet.
- Remplir le réservoir à l'aide d'un entonnoir, effectuer l'opération à l'extérieur. Ne pas fumer. Ne pas utiliser de téléphone portable.
- Faites le plein d'essence et d'huile avant de démarrer le moteur. N'ouvrez jamais le bouchon du réservoir de carburant pour ajouter de l'essence lorsque le moteur est en marche ou encore chaud.
- Ne démarrez pas le moteur si de l'essence s'est répandue, éloignez la tondeuse de l'endroit où l'essence s'est répandue et évitez tout contact avec une source chaude tant que l'essence répandue s'est complètement évaporée.
- Serrez le bouchon du réservoir de carburant et fermez hermétiquement le bouchon du jerrycan.

## Symboles de sécurité



Lisez le manuel d'instructions avant d'utiliser la machine.



Maintenir les autres personnes à une distance de sécurité pendant le travail.



Retirer le câble de la bougie d'allumage et lire les instructions avant d'effectuer toute réparation ou entretien.



Lames en mouvement. Ne pas mettre les mains ou les pieds à proximité ou sous l'ouverture de la plaque de coupe.



Ne pas utiliser sur des pentes supérieures à 22°.



Ne pas toucher les pièces en rotation.



Arrêter le moteur avant le nettoyage de la zone de travail.

## Assemblée

## Déballage

Retirez la tondeuse du carton et vérifiez soigneusement qu'il n'y a pas d'autres pièces détachées.

## Configuration de la poignée

Ouvrez la poignée et vissez les parties de la poignée avec les quatre vis et boutons. Placer le démarreur à rappel à droite de la poignée et fixer le câble avec le collier en plastique. Introduire le câble de la poignée du démarreur à rappel sur son câble guide de support.

## Réglage de la hauteur du guidon (images 2 et 2b)

Si vous souhaitez régler la hauteur du guidon, vous pouvez choisir les deux trous "L" ou "H" dans le support gauche-droit pour fixer le guidon à l'aide de vis et de boutons. Le trou "H" correspond à la position haute du guidon, et le trou "L" à la position basse du guidon.

## Montage des câbles de frein et d'embrayage (photo C)

Insérez le câble de frein et le câble d'embrayage dans le trou du levier approprié, voir l'illustration. La flèche indique l'endroit où le câble doit passer.

## Configuration du panneau (images D et D1)

Sortir du carton le panneau et les deux vis ou boulons dans un sachet, et fixer le panneau avec les vis.

\* Remarque : les panneaux varient d'un modèle à l'autre. Tous les modèles n'ont pas le panneau central.

## Assemblage du sac à herbe (photos E et F)

- Clipsez les bords en plastique du sac sur le cadre et fixez les clips comme indiqué.
- Le collecteur d'herbe est équipé d'un indicateur pratique qui indique si le bac est plein d'herbe et s'il doit être vidé.
- Soulevez la protection de l'éjection arrière, retirez le bouchon de déchiquetage et installez le sac à herbe.

## Bouchon de déchiquetage (photo G)

Le bouchon de déchiquetage permet de courber l'intérieur du carter de la tondeuse pour un déchiquetage plus efficace. Installez et retirez le bouchon mulching en relevant la protection de l'éjection arrière comme indiqué. Le bouchon mulching ne s'installe que dans un sens. Retirez le bouchon mulching lorsque vous utilisez un sac à herbe.

## Supports de protection de l'éjection arrière (photo H)

Sortez les deux supports du carton et soulevez la grille d'éjection arrière. Installez les deux supports qui peuvent maintenir la grille d'éjection arrière, ce qui permet d'évacuer l'herbe plus efficacement du plateau.

## Assemblage du couvercle d'évacuation latérale (image I)

Soulevez la protection de l'éjection latérale, installez le couvercle de l'éjection latérale.

Mulching uniquement : retirez le couvercle d'éjection latérale.

\* Remarque : tous les modèles ne sont pas équipés d'une protection contre l'éjection latérale.

## Avant l'opération

### Huile moteur (photo J)

La tondeuse est livrée sans huile dans le moteur.

Tous les moteurs sont rodés à l'usine avant d'être emballés. La plus grande partie de l'huile est retirée avant l'expédition, mais une certaine quantité d'huile reste dans le moteur. La quantité d'huile restant dans le moteur varie.

Ajoutez suffisamment d'huile pour que le niveau d'huile se situe entre les repères supérieur et inférieur de la jauge, comme indiqué. Ne pas trop remplir le moteur d'huile.

### Carburant (photo K)

Avis : Moteur livré sans essence, faire le plein de 1,0 litre d'essence avant de démarrer le moteur.

- Retirer le bouchon de remplissage
- Ajoutez du carburant jusqu'à la limite inférieure du niveau de carburant dans le col du réservoir. Ne pas faire déborder le réservoir. Essayez le carburant renversé avant de démarrer le moteur.
- Serrer le bouchon du réservoir de carburant

L'essence est extrêmement inflammable et les vapeurs d'essence peuvent exploser et provoquer des blessures graves, voire mortelles. Soyez extrêmement prudent lorsque vous manipulez de l'essence. Tenir à l'écart des à la portée des enfants.

Faites le plein dans un endroit bien ventilé, moteur arrêté. Ne fumez pas et ne laissez pas de flammes ou d'étincelles dans la zone où le moteur est ravitaillé ou dans la zone où l'essence est utilisée.

est stocké. Éviter le contact répété ou prolongé avec la peau ou l'inhalation de vapeurs.

Après avoir fait le plein, serrez fermement le bouchon du réservoir de carburant. Si du carburant a été renversé, assurez-vous que la zone est sèche avant de démarrer le moteur.

### Chargement de la batterie (Image L)

Charger la batterie avant utilisation Avant d'utiliser la fonction de démarrage électrique, la batterie doit être chargée pendant 5 heures. Insérez la fiche du chargeur dans l'orifice de la batterie et branchez le chargeur sur une source d'alimentation.

\* Note : Tous les modèles ne disposent pas de la fonction de démarrage électrique.

### Réglage de la hauteur de coupe (images M et M1)

Vérifiez les réglages de la hauteur de coupe et effectuez les ajustements nécessaires.

Avertissement ! La lame peut provoquer des blessures graves. Arrêtez le moteur avant de régler la hauteur de coupe.

## Mode d'emploi

### Démarrage du moteur (images N1-N7)

- Poire d'amorçage (ci-après également dénommé "bouton d'amorçage", "primer")

A froid, il est nécessaire d'appuyer sur le bouton d'amorçage du filtre à air avant de tirer la poignée du démarreur.

Température	Temps de poussée
<0°C	3-4
0°C ~ 10°C	2-3
10°C ~ 20°C	1-2
>20°C	1

Il faut également augmenter la quantité de carburant pour mélanger l'air afin de faciliter le démarrage. Lorsque vous appuyez sur le bouton d'amorçage, le carburant est pompé directement du carburateur à la chambre de combustion.

\* Note : Tous les modèles ne sont pas équipés de ce PRIMER.

- Placer le levier de starter en position "CHOKE" (pas sur tous les modèles).

\* Remarque : Ce levier de starter n'est pas disponible sur tous les modèles.

- Tirez le levier de frein vers l'arrière et maintenez-le contre la poignée.

- Relâchez le levier d'embrayage. Cela empêchera la tondeuse d'avancer lorsque vous actionnez le démarreur.

\* Remarque : Ce levier d'embrayage n'est pas disponible sur tous les modèles.

- Si les modèles sont équipés de la fonction de démarrage électrique, appuyez légèrement sur le bouton de démarrage électrique, le moteur démarrera.

\* Note : Tous les modèles ne disposent pas de la fonction de démarrage électrique.

- Avec la poignée du démarreur dans son support, prendre la poignée du démarreur avec la main droite et tirer lentement jusqu'à avoir une résistance, puis tirer énergiquement sur la poignée du démarreur avec la corde du démarreur à travers le support (Si le démarrage à froid n'est pas suffisant, répéter cette opération 2 ou 3 fois).

- Immédiatement après le démarrage, repoussez le levier de starter de la position "CHOKE" à la position "RUN" (si la température est basse, laissez le moteur tourner pendant quelques minutes avant de commencer à travailler).

\* Remarque : Ce levier de starter n'est pas disponible sur tous les modèles.

### Fonctionnement Les commandes pour la tonte (image P1-P6)

La lame est en action dès que le moteur démarre. Pendant que la machine travaille, maintenez la poignée de sécurité en position de travail. Le moteur s'arrête dès que vous relâchez la barre de contrôle du moteur.

Relâchez le levier pour arrêter le moteur lorsque vous devez quitter la tondeuse.

### Levier d'embrayage

Poussez le levier d'embrayage vers l'avant et maintenez-le contre le guidon pour faire avancer la tondeuse.

Relâchez le levier d'embrayage pour arrêter le mouvement de la tondeuse vers l'avant.

Relâchez toujours le levier d'embrayage avant de démarrer le moteur. Si l'embrayage est engagé, la tondeuse avancera.

Actionnez le levier d'embrayage d'un mouvement rapide et complet, de manière à ce que l'embrayage soit complètement engagé ou complètement relâché. Maintenir le levier d'embrayage contre le guidon pendant la tonte automotrice. Cela permet de prolonger la durée de vie du mécanisme d'embrayage.

### Levier d'accélérateur

Pour une qualité de coupe optimale, tondez toujours avec la manette des gaz en position "FAST". Lorsque la lame tourne à la vitesse rapide préréglée, elle crée un puissant effet de ventilateur qui soulève et coupe l'herbe plus efficacement.

\* Remarque : Tous les modèles ne sont pas équipés de cette manette des gaz.

### Levier de vitesse variable

La vitesse peut être réglée entre 2,7 et 5,0 km/h pendant la conduite. Actionnez la poignée droite sur le tableau de bord et réglez sur l'une des 4 vitesses différentes. Lorsque vous conduisez à l'une des deux vitesses les plus basses, la différence d'allure ne varie pas de manière significative.

\* Remarque : Tous les modèles ne sont pas équipés de cette manette des gaz.

### Arrêt du moteur

Placez la manette des gaz en position "SLOW".

\* Note : Tous les modèles ne sont pas équipés de cette manette des gaz.

- Relâcher le levier d'embrayage.
- Relâcher le levier de frein.

Attention ! La lame continue de tourner pendant quelques secondes après l'arrêt du moteur. Débranchez le capuchon de la bougie d'allumage si la tondeuse doit être laissée sans surveillance.

## Entretien

**IMPORTANT Un entretien régulier et soigné est indispensable pour maintenir dans le temps le niveau de sécurité et les performances d'origine de la machine.**

- Veillez à ce que tous les écrous, boulons et vis soient bien serrés afin de vous assurer que l'équipement fonctionne en toute sécurité. Un entretien régulier est essentiel pour la sécurité et les performances.
- Ne jamais stocker l'équipement avec du carburant dans le réservoir à l'intérieur d'un bâtiment où les vapeurs peuvent atteindre une flamme, une étincelle ou une source de chaleur extrême.
- Laissez le moteur refroidir avant de le ranger dans un espace clos.
- Pour réduire les risques d'incendie, veillez à ce que le moteur, le silencieux d'échappement, le compartiment de la batterie et la zone de stockage du carburant soient exempts d'herbe, de feuilles ou de graisse excessive. Ne laissez pas de récipients contenant de l'herbe coupée dans les pièces.
- Pour des raisons de sécurité, n'utilisez pas l'appareil avec des pièces usées ou endommagées. Les pièces doivent être remplacées et non réparées. Utilisez des pièces de rechange d'origine (les lames doivent toujours porter le symbole). Les pièces qui ne sont pas de la même qualité peuvent endommager l'appareil et être dangereuses pour votre sécurité.
- Si le réservoir de carburant doit être vidangé, cette opération doit être effectuée à l'extérieur et lorsque le moteur est froid.
- Portez des gants de travail solides lorsque vous retirez et remontez la lame.
- Vérifiez l'équilibre de la lame après l'affûtage.
- Vérifiez fréquemment que la protection à fermeture automatique et le bac à herbe ne sont pas usés ou détériorés.
- Chaque fois que la machine doit être manipulée, transportée ou basculée, vous devez :
  - Porter des gants de travail solides ;
  - Saisir la machine aux points offrant une prise sûre, en tenant compte du poids et de sa répartition.

### Lame

#### L'inspection

- Inclinez la tondeuse vers la droite, de manière à ce que le côté du filtre à air soit vers le haut. Cela permet d'éviter les fuites de carburant et les démarrages difficiles.
  - Inspectez la lame pour vérifier qu'elle n'est pas endommagée, fissurée et qu'elle ne présente pas de rouille ou de corrosion excessive. Une lame émoussée peut être aiguisée, mais une lame excessivement usée, déformée, fissurée ou endommagée doit être remplacée.
  - Une clé dynamométrique doit toujours être utilisée lors de l'installation de la lame.
- Vérifiez que les boulons de la lame sont bien serrés.

#### Démontage et installation (photo Q)

Si vous retirez la lame pour l'affûter ou la remplacer, vous aurez besoin d'une clé dynamométrique pour l'installer. Portez des gants épais pour protéger vos mains.

- Retirez le boulon à l'aide d'une clé à douille. Utilisez un bloc de bois pour empêcher la lame de tourner lorsque vous retirez le boulon. Retirez ensuite la lame.
- Installez la lame à l'aide du boulon de lame et des rondelles spéciales. Veillez à installer les rondelles spéciales avec le côté concave vers la lame et le côté convexe vers le boulon.
- Serrez le boulon de la lame à l'aide d'une clé dynamométrique. Utilisez un bloc de bois pour empêcher la lame de tourner lorsque vous serrez le boulon.

#### Nettoyage et remplacement du sac à herbe (photo R)

##### Nettoyage

Lavez le sac avec un tuyau d'arrosage et laissez-le sécher complètement avant de l'utiliser ; un sac mouillé se colmatera rapidement.

##### Remplacement

- Détachez les bords en plastique du sac du cadre, puis retirez le sac du couvercle supérieur.
- Insérer le sac en tissu dans le couvercle supérieur, clipser les bords en plastique du sac sur le cadre.

#### Buse d'eau (photo R2)

- Le côté gauche du plateau de coupe est équipé d'une buse d'eau pour le lavage du plateau.
  - Lors de l'utilisation de la buse d'arrosage, la machine doit être placée sur la pelouse dans la position la plus basse. Cela permet de s'assurer que l'eau reste sous le pont pendant le nettoyage.
  - Fixer un tuyau à la buse.
  - Ouvrez l'eau et démarrez le moteur.
  - Les rotations des lames permettent à l'eau de nettoyer le dessous du plateau de coupe.
- Remarque : Tous les modèles ne sont pas équipés d'une buse d'arrosage.

### Entretien du moteur

#### Vérifier le niveau d'huile moteur (Photo J)

Vérifiez le niveau d'huile moteur lorsque le moteur est arrêté et que la tondeuse est en marche.

- Retirez le bouchon de remplissage d'huile et nettoyez la jauge.
- Insérer la jauge dans le goulot de remplissage d'huile, sans la visser.
- Vérifiez le niveau d'huile indiqué sur la jauge. S'il est proche du niveau inférieur, remplissez d'huile jusqu'au niveau supérieur. Ne pas trop remplir.
- Visser fermement le bouchon de remplissage.

**Attention : Faire tourner le moteur lorsque le niveau d'huile est bas endommagera le moteur.**

#### Vidange de l'huile moteur

- Vidangez l'huile usagée lorsque le moteur est chaud. L'huile chaude se vidange rapidement et complètement.
  - Essuyez la zone de remplissage d'huile, puis retirez le bouchon de remplissage d'huile/la jauge.
  - Placez un récipient approprié à côté de la tondeuse pour recueillir l'huile usagée, puis inclinez la tondeuse sur le côté droit. L'huile usagée s'écoulera par le goulot de remplissage. Permettre l'écoulement de l'huile usagée par le goulot de remplissage l'huile s'égoutte complètement.
  - Veuillez vous débarrasser de l'huile moteur usagée et de ses contenants d'une manière compatible avec l'environnement. Nous vous suggérons de les apporter dans un récipient fermé à votre centre de recyclage local ou à votre station-service pour qu'ils soient récupérés. Ne la jetez pas à la poubelle, ne la répandez pas sur le sol et ne la jetez pas dans les égouts.
  - Remplir avec l'huile recommandée. Ne pas trop remplir. Laissez l'huile se stabiliser dans le moteur pendant quelques minutes, puis mesurez le niveau d'huile.
- \* Certains modèles sont équipés d'un boulon de vidange d'huile ; desserrez et retirez le boulon de vidange d'huile et laissez l'huile s'écouler dans le récipient. Veillez à bien serrer le boulon de vidange et à ajouter la rondelle d'étanchéité (si elle est incluse) avant d'ajouter de l'huile.

#### Entretien du filtre à air (photo T)

Avis : L'utilisation du moteur sans filtre à air, ou avec un filtre à air endommagé, permet à la saleté de pénétrer dans le moteur, ce qui entraîne une usure rapide de ce dernier.

- Appuyez sur les languettes du couvercle et retirez le couvercle.
- Retirez le filtre de la base du filtre à air.
- Inspectez le filtre et l'élément en mousse, et remplacez-les s'ils sont endommagés.
- Nettoyez le filtre en le tapotant plusieurs fois sur une surface dure pour éliminer la saleté, ou en soufflant de l'air comprimé à travers le filtre à air depuis l'intérieur. N'essayez jamais d'enlever la saleté avec une brosse ; la brosse forcerait la saleté à pénétrer dans les fibres.
- Essuyez la saleté à l'intérieur de la base et du couvercle du filtre à air à l'aide d'un chiffon humide. Veillez à ce que la saleté ne pénètre pas dans le conduit d'air menant au carburateur.
- Réinstaller le filtre et le couvercle.

#### Entretien des bougies d'allumage (Photo U - U1 - U2)

Pour obtenir de bonnes performances, la bougie d'allumage doit être correctement taraudée et exempte de dépôts.

- Débranchez le capuchon de la bougie d'allumage et éliminez toute trace de saleté autour de la bougie.
- Retirez la bougie d'allumage à l'aide d'une clé à bougie.
- Inspectez la bougie d'allumage. Remplacez-la si les électrodes sont usées ou si l'isolateur est fissuré ou ébréché.
- Mesurez l'écartement des électrodes de la bougie d'allumage à l'aide d'une jauge appropriée. L'écart doit être de 0,028 ~ 0,031 in (0,7 ~ 0,8mm). Corrigez l'écartement, si nécessaire, en procédant comme suit plier l'électrode latérale à l'aide d'un outil approprié.
- Installer la bougie d'allumage avec précaution, à la main, afin d'éviter un filetage croisé.
- Installer le capuchon de la bougie d'allumage sur la bougie.

AVIS : Une bougie mal serrée peut surchauffer et endommager le moteur. Un serrage excessif de la bougie peut endommager le filetage de la culasse.

#### Réglage du câble (image V)

Avant d'utiliser la machine, il faut toujours vérifier le réglage du câble.

Les câbles peuvent être contrôlés en activant complètement les poignées et en vérifiant si le câble est tendu. Si ce n'est pas le cas, il faut le resserrer. Si la poignée ne peut pas être facilement actionnée à fond, le câble doit être desserré.

Après la première saison, il faut s'attendre à ce que les câbles aient besoin d'être ajustés pour une activation optimale, car les câbles peuvent s'étirer à l'usage.

Il peut être nécessaire de réajuster les câbles suivants :

1. Câble pour l'entraînement
2. Câble pour le frein moteur
3. Câble pour câble d'accélérateur

## Calendrier d'entretien

PÉRIODE DE SERVICE RÉGULIER(4)		Avant chaque utilisation	Premier mois ou 5 heures	Tous les 3 mois ou 25 heures	Tous les 6 mois ou 50 heures	Chaque année ou 100 heures	Tous les deux ans ou 250 heures
ÉLÉMENT Effectuer cette opération tous les mois indiqués ou toutes les heures de fonctionnement, selon ce qui se produit en premier.							
Huile moteur	Vérifier	O					
	Remplacer		O	O(2)			
Filtre à air	Vérifier		O				
	Remplacer			O			
Bougie d'allumage	Contrôler-ajuster					O	
	Remplacer						O
Frein à volant d'inertie tampon (types A)	Vérifier					O	
Réservoir de carburant et filtre	Nettoyer			O			
Tube à combustible	Vérifier	Tous les 2 ans (remplacer si nécessaire)					
Jeu des soupapes	Contrôler-ajuster						O
Combustion chambre	Nettoyer	Toutes les 200 heures					

## Dépannage

LE MOTEUR NE DÉMARRE PAS	Cause possible	Correction
1. Vérifier le carburant.	Panne de carburant.	Faire le plein
	Mauvais carburant ; moteur stocké sans traitement ni vidange de l'essence, de ravitaillement avec de l'essence de mauvaise qualité	Vidanger le réservoir de carburant et le carburateur. Refaire le plein avec de l'essence fraîche.
2. Retirer et inspecter la bougie d'allumage.	Bougie d'allumage défectueuse, encrassée ou mal tarudée.	Remplacer la bougie d'allumage.
	Bougie d'allumage mouillée par le carburant (moteur noyé).	Sécher et réinstaller la bougie d'allumage.
3. Amener le moteur chez un concessionnaire agréé ou se référer au manuel d'atelier.	Filtre à carburant bouché, dysfonctionnement du carburateur, dysfonctionnement de l'allumage, soupapes bloquées, etc.	Remplacer ou réparer les composants défectueux si nécessaire.
4. Appuyer sur le bouton d'amorçage	En cas de froid	Appuyez sur le bouton d'amorçage.

LE MOTEUR MANQUE DE PUISSANCE	Cause possible	Correction
1. Vérifier le filtre à air	Les éléments du filtre à air sont obstrués.	Nettoyer ou remplacer les éléments du filtre à air
2. Vérifier le carburant	Mauvais carburant ; moteur stocké sans traitement ni vidange de l'essence, de ravitaillé avec de l'essence de mauvaise qualité.	Vidanger le réservoir de carburant et le carburateur. Refaire le plein avec de l'essence fraîche.
3. Amener le moteur chez un concessionnaire agréé ou se référer au manuel d'atelier.	Filtre à carburant bouché, dysfonctionnement du carburateur, dysfonctionnement de l'allumage, soupapes bloquées, etc.	Remplacer ou réparer les composants défectueux si nécessaire.

## Données techniques

Modèle :	PM4810	PM4820	PM4830	PM5310	PM5810
Cylindrée :	145cm <sup>3</sup>	145cm <sup>3</sup>	145cm <sup>3</sup>	170cm <sup>3</sup>	196cm <sup>3</sup>
Type de moteur :	OHV Euro V	OHV Euro V	OHV Euro V	OHV Euro V	OHV Euro V
Largeur de coupe :	42cm	46cm	46cm	51cm	53cm
Réglage de la hauteur :	25-75mm (6 réglages)	25-75mm (6 réglages)	25-75mm (6 réglages)	25-75mm (6 réglages)	25-75mm (6 réglages)
Capacité du bac à herbe :	45L	65L	65L	65L	65L
Dim. de roue :	150mm(FR)/180mm(R)	180mm(FR)/230mm(R)	180mm(FR)/230mm(R)	180mm(FR)/230mm(R)	200mm(FR)/280mm(R)
Type :	Poussée manuelle	Poussée manuelle	Autopropulsé	Autopropulsé	Autopropulsé
Type d'huile moteur :	SAE 10w-30 ou SAE20w50*	SAE 10w-30 ou SAE 20w50*	SAE 10w-30 ou SAE 20w50*	SAE 10w-30 ou SAE 20w50*	SAE 10w-30 ou SAE 20w50*
Carburant recommandé :	Essence sans plomb 94 Octane ou plus	Essence sans plomb 94 Octane ou plus	Essence sans plomb 94 Octane ou plus	Essence sans plomb 94 Octane ou plus	Essence sans plomb 94 Octane ou plus
Fonctions :	3 en 1	3 en 1	3 en 1	4 en 1	4 en 1

\* Choisissez le type approprié en fonction de la température ambiante locale.

**Attention ! Pour des raisons de sécurité, la machine peut être livrée sans huile moteur.**  
Vérifiez le niveau d'huile du moteur et ajoutez la quantité d'huile appropriée avant de démarrer la machine.

\* Le fabricant se réserve le droit d'apporter des modifications mineures à la conception et aux spécifications techniques du produit sans préavis, à moins que ces modifications n'affectent de manière significative les performances et la sécurité des produits. Les pièces décrites / illustrées dans les pages du manuel que vous tenez entre vos mains peuvent également concerner d'autres modèles de la gamme de produits du fabricant présentant des caractéristiques similaires et peuvent ne pas être incluses dans le produit que vous venez d'acquérir.

\* Pour garantir la sécurité et la fiabilité du produit et la validité de la garantie, tous les travaux de réparation, d'inspection, de réparation ou de remplacement, y compris l'entretien et les réglages spéciaux, doivent être effectués uniquement par des techniciens du service après-vente agréé du fabricant.

\* Utilisez toujours le produit avec l'équipement fourni. L'utilisation du produit avec un équipement non fourni peut entraîner des dysfonctionnements, voire des blessures graves ou mortelles. Le fabricant et l'importateur ne sont pas responsables des blessures et des dommages résultant de l'utilisation d'un équipement non conforme.

Grazie per aver scelto il nostro tosaerba a benzina.

Per ottenere i migliori risultati dal vostro tosaerba a benzina, leggete attentamente tutte le presenti istruzioni di sicurezza e d'uso prima di utilizzare questo apparecchio.

## Istruzioni di sicurezza

La vostra sicurezza e quella degli altri è molto importante. In questo manuale e sul tosaerba sono riportati importanti messaggi di sicurezza. Queste informazioni mettono in guardia da potenziali pericoli che potrebbero danneggiare voi o altri. Leggere attentamente questi messaggi.

Naturalmente non è possibile né pratico avvertire l'utente di tutti i pericoli associati all'uso o alla manutenzione di un tosaerba. L'utente deve utilizzare il proprio buon giudizio.

- Prima di utilizzare la macchina, leggere le istruzioni per l'uso.
- Tenere le altre persone a distanza di sicurezza durante il lavoro
- Rimuovere il cavo della candela dalla candela e leggere le istruzioni prima di effettuare qualsiasi riparazione o manutenzione.
- Lama in movimento. Non mettere mani o piedi vicino o sotto l'apertura del piatto di taglio.
- Non utilizzare su colline con temperatura superiore a 22°.
- Non toccare le parti rotanti.
- Arrestare il motore prima di pulire l'area di lavoro.
- Attenzione: Utilizzare sempre gli strumenti corretti e i ricambi originali.
- Attenzione: La lama è affilata, non toccarla.
- Tenete lontani gli astanti, soprattutto i bambini!

## Condizioni generali di utilizzo

Questa macchina deve essere utilizzata esclusivamente per tagliare l'erba naturale. Non utilizzare mai il tosaerba per altri scopi. Qualsiasi altro utilizzo può comportare pericoli per la vostra sicurezza e può comportare danni al tosaerba.

Le persone di età inferiore ai 16 anni e quelle che non conoscono le istruzioni per l'uso non devono utilizzare il tosaerba.

L'utente è responsabile della sicurezza delle altre persone che si trovano nell'area di lavoro. Tenere i bambini e gli animali domestici a distanza di sicurezza quando il tosaerba è in funzione. Prima di falciare, rimuovere dal prato tutti gli oggetti estranei che possono essere lanciati dalla macchina; prestare attenzione a eventuali oggetti estranei che potrebbero essere sfuggiti.

- Controllare che tutti i dadi, i bulloni e le viti siano ben serrati.
  - Prima di falciare, posizionare il raccogliherba nella sua sede.
  - Prima di falciare, accertarsi che la lama e la vite di fissaggio della lama siano saldamente fissate. Quando i bordi di taglio devono essere riaffilati, è necessario farlo uniformemente su entrambi i lati, in modo da evitare qualsiasi sbilanciamento. Se la lama è danneggiata, deve essere sostituita.
  - Durante la falciatura indossare sempre pantaloni lunghi e calzature robuste.
  - Non far funzionare il motore in un'area chiusa e/o poco ventilata, dove i gas del motore contengono monossido di carbonio, pericoloso per la salute.
  - Lavorare solo quando la luce è sufficiente.
  - Non utilizzare il tosaerba quando piove o quando l'erba è bagnata.
  - È necessario adottare particolari precauzioni durante la falciatura su pendii o tratti in discesa. Falciare lungo le pendenze, mai in discesa o in salita.
  - Spegnerne il motore se si deve lasciare il tosaerba incustodito, spostarlo o inclinarlo.
  - Non sollevare mai la parte posteriore del tosaerba mentre si avvia il motore e non mettere mai le mani o i piedi sotto il piatto o nello scivolo di scarico posteriore mentre il motore è in funzione.
  - Non modificare mai in alcun modo la velocità nominale del motore.
  - Sui tosaerba semoventi, scollegare il sistema semovente prima di avviare il motore.
  - Non sollevare o trasportare mai il tosaerba con il motore acceso.
  - In questi casi, arrestare il motore e rimuovere il coperchio della candela:
    - Prima di qualsiasi operazione sotto il piatto o lo scivolo di scarico posteriore dell'erba.
    - Prima di qualsiasi operazione di manutenzione, riparazione o controllo.
    - Prima di trasportare, sollevare o rimuovere il tosaerba.
    - Se si lascia il tosaerba incustodito o si cambia l'altezza di taglio.
    - Per rimuovere e svuotare il raccogliherba.
  - Dopo aver urtato un oggetto estraneo, spegnere il motore e controllare accuratamente il tosaerba per verificare se è danneggiato. Portare il tosaerba in una stazione di servizio convenzionata per effettuare la riparazione, se necessario.
- Attenzione! Dopo aver arrestato il motore, la lama rimane in movimento per alcuni secondi.**
- Se il tosaerba vibra in modo anomalo, cercatene i motivi e portatelo in un centro di assistenza convenzionato.
  - Controllare regolarmente che i bulloni, i dadi e le viti siano serrati correttamente per un utilizzo sicuro del tosaerba.

## Attenzione! LA BENZINA È ALTAMENTE INFIAMMABILE!

- Conservare la benzina in una tanica appositamente predisposta.
- Riempire il serbatoio con un imbuto, eseguire l'operazione all'esterno. Non fumare. Non utilizzare il telefono cellulare.
- Fare il pieno di benzina e olio prima di fissare il motore. Non aprire mai il tappo del serbatoio per aggiungere benzina quando il motore è in funzione o ancora caldo.
- Non avviare il motore se c'è della benzina sparsa in giro, allontanare il tosaerba da quello in cui è stata spaccata la benzina ed evitare qualsiasi contatto con una fonte calda finché la benzina spaccata è completamente evaporata.
- Serrare il tappo del serbatoio del carburante e chiudere bene il tappo della tanica.



## Simboli di sicurezza



Prima di utilizzare la macchina, leggere le istruzioni per l'uso.



Tenere le altre persone a distanza di sicurezza durante il lavoro.



Rimuovere il cavo della candela dalla candela e leggere le istruzioni prima di effettuare qualsiasi riparazione o manutenzione.



Lame in movimento. Non mettere mani o piedi vicino o sotto l'apertura del piatto di taglio.



Non utilizzare su colline con temperatura superiore a 22°.



Non toccare la rotazione parti.



Spegnere il motore prima di pulizia dell'area di lavoro.

## Montaggio

### Disimballaggio

Togliere il tosaerba dalla confezione e controllare accuratamente che non vi siano altre parti allentate.

### Impostazione della maniglia

Aprire la maniglia e avvitare le parti della maniglia con le quattro viti e le manopole. Posizionare l'autoavvolgente a destra della maniglia e fissare il cavo con il collare di plastica. Introdurre la fune della maniglia dell'autoavvolgente sulla sua fune guida di supporto.

### Regolazione dell'altezza della barra della maniglia (figure 2 e 2b)

Se si desidera regolare l'altezza del manubrio, è possibile scegliere i due fori "L" o "H" della staffa sinistra-destra per fissare il manubrio con viti e manopole. Il foro "H" corrisponde alla posizione alta del manubrio, mentre il foro "L" corrisponde alla posizione bassa del manubrio.

### Configurazione del cavo del freno e della frizione (figura C)

Inserire il cavo del freno e il cavo della frizione nel foro della leva appropriata, come illustrato nella figura. La freccia indica il punto in cui il cavo deve passare.

### Impostazione del pannello (figure D e D1)

Estrarre dalla confezione il pannello e le due viti o bulloni contenuti in un sacchetto e fissare il pannello con le viti.

\* Nota: i diversi modelli hanno pannelli diversi. Non tutti i modelli hanno il pannello centrale.

### Gruppo del sacco per l'erba (figure E e F)

• Agganciare i bordi in plastica della borsa al telaio e fissare le clip come mostrato.

Il raccoglitore d'erba è dotato di un pratico indicatore che indica se il contenitore è pieno d'erba e deve essere svuotato.

• Sollevare la protezione dello scarico posteriore, rimuovere il tappo del mulching e installare il sacco dell'erba.

### Tappo per pacciamatura (figura G)

Il tappo mulching aiuta a curvare l'interno del piatto del tosaerba per un mulching più efficiente. Per installare e rimuovere il tappo mulching, sollevare la protezione dello scarico posteriore come illustrato. Il tappo mulching si inserisce in un solo senso. Rimuovere il tappo mulching quando si utilizza un sacco per l'erba.

### Puntelli della protezione posteriore dello scarico (figura H)

Estrarre dal cartone due supporti in un sacchetto e sollevare la protezione di scarico posteriore, installare i due supporti che possono sostenere la protezione di scarico posteriore e far uscire l'erba dal piatto in modo più efficiente.

### Gruppo coperchio di scarico laterale (figura I)

Sollevare la protezione di scarico laterale, installare il coperchio di scarico laterale.

Solo Mulching: rimuovere il coperchio di scarico laterale.

\* Nota: non tutti i modelli sono dotati di protezione per lo scarico laterale.

## Prima del funzionamento

### Olio motore (figura J)

Il tosaerba viene spedito senza olio nel motore.

Tutti i motori vengono fatti funzionare in fabbrica prima dell'imballaggio. La maggior parte dell'olio viene rimossa prima della spedizione; tuttavia, una parte dell'olio rimane nel motore. La quantità di olio rimasta nel motore varia.

Aggiungere una quantità di olio sufficiente a portare il livello dell'olio tra i segni di limite superiore e inferiore dell'astina di livello, come indicato. Non riempire eccessivamente il motore di olio.

### Carburante (figura K)

Avviso: Il motore viene fornito senza benzina, fare rifornimento di 1,0 litri prima di avviare il motore.

- Rimuovere il tappo di riempimento
- Aggiungere il carburante fino al limite inferiore del livello del carburante nel collo del serbatoio. Non riempire eccessivamente. Pulire il carburante versato prima di avviare il motore.
- Serrare il tappo del serbatoio del carburante

La benzina è estremamente infiammabile e i suoi vapori possono esplodere, causando gravi lesioni o morte. Prestare la massima attenzione quando si maneggia la benzina. Tenere lontano da alla portata dei bambini.

Effettuare il rifornimento in un'area ben ventilata e a motore fermo. Non fumare e non lasciare fiamme o scintille nell'area in cui viene effettuato il rifornimento di carburante o in cui la benzina viene utilizzata per il rifornimento.

è immagazzinato. Evitare il contatto ripetuto o prolungato con la pelle o la respirazione dei vapori.

Dopo il rifornimento, serrare saldamente il tappo del serbatoio del carburante. Se si è versato del carburante, accertarsi che la zona sia asciutta prima di avviare il motore.

### Ricarica della batteria (figura L)

Prima di utilizzare la funzione di avviamento elettrico, la batteria deve essere caricata per 5 ore. Inserire la spina del caricabatterie nel foro della batteria e collegare il caricabatterie a una presa di corrente.

\* Nota: non tutti i modelli dispongono della funzione di avviamento elettrico.

### Regolazione dell'altezza di taglio (figure M e M1)

Controllare le impostazioni dell'altezza di taglio ed effettuare le regolazioni necessarie.

Attenzione! La lama può causare gravi lesioni. Arrestare il motore prima di regolare l'altezza di taglio.

## Istruzioni per l'uso

### Avvio del motore (figura N1-N7)

- Lampadina di adescamento (di seguito anche "pulsante di innesco" "primer").

A freddo, è necessario spingere la lampadina di adescamento sul filtro dell'aria prima di tirare la maniglia di avviamento.

Temperatura	Tempi di spinta
<0°C	3-4
0°C ~ 10°C	2-3
10°C ~ 20°C	1-2
>20°C	1

Inoltre, per facilitare l'avviamento, è necessario aggiungere più carburante alla miscela d'aria. Quando si preme il pulsante di innesco, il carburante viene pompato direttamente dal carburatore alla camera di combustione.

\* Nota: non tutti i modelli dispongono di questo PRIMER.

- Portare la leva dello starter in posizione "CHOKE" (non presente su tutti i modelli).

\* Nota: non tutti i modelli dispongono di questa leva dello starter.

- Tirate indietro la leva del freno e tenetela contro la maniglia.

- Rilasciare la leva della frizione. In questo modo si evita che il tosaerba si muova in avanti quando si aziona il motorino di avviamento.

\* Nota: non tutti i modelli dispongono di questa leva della frizione.

- Se i modelli sono dotati di funzione di avviamento elettrico, premere leggermente il pulsante di avviamento E per avviare il motore.

\* Nota: non tutti i modelli dispongono della funzione di avviamento elettrico.

- Con la maniglia di avviamento nel suo supporto, prendere la maniglia di avviamento con la mano destra e tirare lentamente fino ad avere una resistenza, quindi tirare energicamente la maniglia di avviamento con la corda di avviamento attraverso il supporto (se l'avviamento a freddo non è sufficiente, ripetere questa operazione 2 o 3 volte).

- Subito dopo l'avviamento, spingere indietro la leva dello starter dalla posizione "CHOKE" alla posizione "RUN" (se la temperatura è bassa, lasciare girare il motore per qualche minuto prima di iniziare a lavorare).

\* Nota: non tutti i modelli dispongono di questa leva dello starter.

### Funzionamento I comandi per la falciatura (figure P1-P6)

La lama entra in azione non appena il motore viene avviato. Durante il funzionamento della macchina, mantenere la maniglia di sicurezza in posizione di lavoro. Il motore si arresta non appena si rilascia la barra di controllo del motore.

Rilasciare la leva per arrestare il motore quando si deve lasciare il tosaerba.

### Leva della frizione

Spingere la leva della frizione in avanti e tenerla premuta contro il manubrio per far avanzare il tosaerba.

Rilasciare la leva della frizione per arrestare il movimento in avanti del tosaerba.

Rilasciare sempre la leva della frizione prima di avviare il motore. Se la frizione è innestata, il tosaerba si sposta in avanti.

Azionare la leva della frizione con un movimento rapido e completo, in modo che la frizione sia completamente innestata o completamente rilasciata.

Tenere la leva della frizione contro il manubrio durante la falciatura semovente. Ciò contribuirà a prolungare la durata del meccanismo della frizione.

### Leva dell'acceleratore

Per ottenere la migliore qualità di taglio, tagliare sempre con la leva dell'acceleratore in posizione "FAST". Quando le lame ruotano alla velocità veloce preimpostata, creano una forte azione a ventaglio che solleva e taglia l'erba in modo più efficiente.

\* Nota: non tutti i modelli dispongono di questa leva dell'acceleratore.

**Velocità variabile Leva**

La velocità può essere regolata da 2,7 a 5,0 km/h durante la guida. Attivare la maniglia destra sul cruscotto e impostare una delle 4 diverse velocità. Quando si guida a una delle due velocità più basse, la differenza di velocità non varia in modo significativo.

\* Nota: non tutti i modelli dispongono di questa leva dell'acceleratore.

**Arresto del motore**

Portare la leva dell'acceleratore in posizione "SLOW".

\* Nota: non tutti i modelli dispongono di questa leva dell'acceleratore.

- Rilasciare la leva della frizione.
- Rilasciare la leva del freno.

Attenzione! La lama continua a ruotare per alcuni secondi dopo l'arresto del motore. Scollegare il cappuccio della candela se il tosaerba deve essere lasciato incustodito.

**Manutenzione**

**IMPORTANTE** Una manutenzione regolare e accurata è essenziale per mantenere inalterati nel tempo il livello di sicurezza e le prestazioni originali della macchina.

- Mantenere stretti tutti i dadi, i bulloni e le viti per essere certi che l'apparecchiatura sia in condizioni di lavoro sicure. Una manutenzione regolare è essenziale per la sicurezza e le prestazioni.
- Non conservare mai l'apparecchiatura con il carburante nel serbatoio all'interno di un edificio in cui i vapori possano raggiungere una fiamma o una scintilla o una fonte di calore estremo.
- Lasciare raffreddare il motore prima di riporlo in uno spazio chiuso.
- Per ridurre il rischio di incendio, tenere il motore, il silenziatore di scarico, il vano batteria e l'area di stoccaggio del carburante liberi da erba, foglie o grasso eccessivo. Non lasciare contenitori con erba tagliata nelle stanze.
- Per motivi di sicurezza, non utilizzare l'apparecchiatura con parti usurate o danneggiate. Le parti devono essere sostituite e non riparate. Utilizzare ricambi originali (le lame devono sempre riportare il simbolo). I pezzi di ricambio di qualità diversa possono danneggiare l'apparecchiatura ed essere pericolosi per la vostra sicurezza.
- Se è necessario svuotare il serbatoio del carburante, l'operazione deve essere eseguita all'aperto e a motore freddo.
- Indossare guanti da lavoro robusti durante la rimozione e il rimontaggio della lama.
- Controllare il bilanciamento della lama dopo l'affilatura.
- Controllare frequentemente che la protezione a chiusura automatica e il raccogliherba non siano usurati o deteriorati.
- Ogni volta che la macchina deve essere movimentata, trasportata o inclinata, è necessario:
  - Indossare guanti da lavoro resistenti;
  - Afferrare la macchina nei punti che offrono una presa sicura, tenendo conto del peso e della sua distribuzione.

**Lama****Ispezione**

- Inclinare il tosaerba verso destra, in modo che il lato del filtro dell'aria sia in alto. In questo modo si evitano perdite di carburante e difficoltà di avviamento.
  - Ispezionare la lama per verificare l'assenza di danni, crepe, ruggine o corrosione eccessiva.
- Una lama opaca può essere affilata, ma una lama eccessivamente usurata, piegata, incrinata o altrimenti danneggiata deve essere sostituita.
- Per l'installazione della lama è necessario utilizzare sempre una chiave dinamometrica.
- Controllare che i bulloni della lama siano stretti.

**Rimozione e installazione (figura Q)**

Se si rimuove la lama per l'affilatura o la sostituzione, è necessaria una chiave dinamometrica per l'installazione. Indossare guanti pesanti per proteggere le mani.

- Rimuovere il bullone con una chiave a bussola. Utilizzare un blocco di legno per evitare che la lama giri durante la rimozione del bullone. Quindi rimuovere la lama.
- Installare la lama utilizzando il bullone della lama e le rondelle speciali. Assicurarsi di installare le rondelle speciali con il lato concavo verso la lama e il lato convesso verso il bullone.
- Serrare il bullone della lama con una chiave dinamometrica. Utilizzare un blocco di legno per evitare che la lama giri durante il serraggio del bullone.

**Pulizia e sostituzione del sacco dell'erba (figura R)****Pulizia**

Lavare il sacchetto con un tubo da giardino e lasciarlo asciugare completamente prima dell'uso; un sacchetto bagnato si intasa rapidamente.

**Sostituzione**

- Staccare i bordi in plastica della borsa dal telaio, rimuovere la borsa dal coperchio superiore.
- Inserire il sacchetto di tessuto nella copertura superiore, agganciare i bordi di plastica del sacchetto al telaio.

**Ugello dell'acqua (figura R2)**

- Il lato sinistro del piatto è dotato di un ugello per il lavaggio del piatto.
- Quando si utilizza l'ugello dell'acqua, la macchina deve essere nella posizione più bassa in altezza e posizionata sul prato. In questo modo si garantisce che l'acqua rimanga sotto il durante la pulizia del ponte.
- Collegare un tubo flessibile all'ugello.
- Aprire l'acqua e avviare il motore.
- Le rotazioni delle lame garantiscono che l'acqua pulisca la parte inferiore del piatto.

Nota: Non tutti i modelli sono dotati di ugello dell'acqua.

**Manutenzione del motore****Controllo del livello dell'olio motore (figura J)**

Controllare il livello dell'olio motore a motore fermo e con il tosaerba fermo.

- Rimuovere il tappo di riempimento dell'olio e pulire l'astina di livello.
- Inserire l'astina di livello nel bocchettone di riempimento dell'olio, senza avvitare.
- Controllare il livello dell'olio indicato sull'astina di livello. Se è vicino a quello inferiore, riempire con l'olio fino al livello superiore. Non riempire eccessivamente.
- Avvitare saldamente il tappo di riempimento.

**Avviso: Il funzionamento del motore con un livello di olio basso può causare danni al motore.**

**Cambio dell'olio motore**

• Scaricare l'olio usato quando il motore è caldo. L'olio caldo si scarica rapidamente e completamente.

- Pulire l'area di riempimento dell'olio, quindi rimuovere il tappo/astina di riempimento dell'olio.
- Collocare un contenitore adatto a raccogliere l'olio usato accanto al tosaerba, quindi inclinare il tosaerba sul lato destro. L'olio usato defluisce attraverso il bocchettone di riempimento. Consentire l'olio a scolare completamente.

- Smaltire l'olio motore usato e i relativi contenitori in modo compatibile con l'ambiente. Si consiglia di portarlo in un contenitore sigillato al centro di riciclaggio o alla stazione di servizio locale per il recupero. Non gettarlo nella spazzatura, non versarlo a terra e non versarlo in uno scarico.
  - Riempire con l'olio consigliato. Non riempire eccessivamente. Lasciare che l'olio si depositi nel motore per un paio di minuti, quindi misurare il livello dell'olio.
- \* Alcuni modelli sono dotati di un bullone di scarico dell'olio; allentare e rimuovere il bullone di scarico dell'olio e lasciare che l'olio defluisca nel contenitore. Assicurarsi di serrare bene il bullone di scarico e aggiungere la rondella di tenuta (se in dotazione) prima di aggiungere l'olio.

**Manutenzione del filtro dell'aria (figura T)**

Avviso: Il funzionamento del motore senza filtro dell'aria o con un filtro dell'aria danneggiato consente l'ingresso di sporcizia nel motore, causandone una rapida usura.

- Premere sulle linguette del coperchio e rimuoverlo.
- Rimuovere il filtro dalla base del filtro dell'aria.
- Ispezionare il filtro e l'elemento in schiuma e sostituirlo se danneggiato.
- Pulire il filtro battendolo più volte su una superficie dura per rimuovere la sporcizia, oppure soffiare aria compressa attraverso il filtro dall'interno. Non cercare mai di rimuovere la sporcizia con la spazzola; la spazzolatura costringe la sporcizia a penetrare nelle fibre.
- Pulire la sporcizia dall'interno della base e del coperchio del filtro dell'aria, usando uno straccio umido. Fare attenzione a non far penetrare lo sporco nel condotto dell'aria che porta al carburatore.
- Reinstallare il filtro e il coperchio.

**Manutenzione delle candele (figura U - U1 - U2)**

Per ottenere buone prestazioni, la candela deve essere correttamente smaltita e priva di depositi.

- Scollegare il cappuccio della candela e rimuovere lo sporco dalla zona della candela.
- Rimuovere la candela con una chiave per candele.
- Ispezionare la candela. Sostituirla se gli elettrodi sono usurati o se l'isolante è incrinato o scheggiato.
- Misurare la distanza tra gli elettrodi della candela con un calibro adatto. La distanza deve essere di 0,028 ~ 0,031 pollici (0,7 ~ 0,8 mm). Se necessario, correggere lo spazio tra gli elettrodi con attenzione piegare l'elettrodo laterale con uno strumento adeguato.
- Installare la candela con cautela, a mano, per evitare di filettare in modo incrociato.
- Installare il cappuccio della candela sulla candela.

**AVVISO:** Una candela allentata può surriscaldare e danneggiare il motore. Un serraggio eccessivo della candela può danneggiare la filettatura della testata.

**Regolazione del cavo (figura V)**

Prima dell'utilizzo della macchina, è necessario verificare sempre la regolazione del cavo.

I cavi possono essere controllati attivando completamente le maniglie e verificando se il cavo è teso. In caso contrario, è necessario stringere il cavo. Se non è facile attivare completamente la maniglia, il cavo deve essere allentato.

Dopo la prima stagione, è necessario regolare i cavi per un'attivazione ottimale, poiché i cavi possono allungarsi durante l'uso.

Potrebbe essere necessario regolare i seguenti cavi:

1. Cavo per l'azionamento
2. Cavo per freno motore
3. Cavo per il cavo dell'acceleratore

## Programma di manutenzione

PERIODO DI SERVIZIO REGOLARE(4)		Prima di ogni	Primo mese	Ogni 3 mesi o	Ogni 6 mesi o	Ogni anno	Ogni due anni
ELEMENTO		utilizzo	o 5 ore	25 ore	50 ore	o 100 ore	o 250 ore
Eseguire l'operazione ogni mese indicato o ogni ora di funzionamento, a seconda di quale sia la prima.							
Olio motore	Controllo	O					
	Sostituire		O	O(2)			
Pulitore d'aria	Controllo		O				
	Sostituire			O			
Candela di accensione	Controllo-regolazione					O	
	Sostituire						O
Freno del volante tampone (tipi A)	Controllo					O	
Serbatoio del carburante e filtro	Pulito			O			
Tubo del carburante	Controllo	Ogni 2 anni (sostituire se necessario)					
Gioco delle valvole	Controllo-regolazione						O
Combustione camera	Pulito	Ogni 200 ore					

## Risoluzione dei problemi

IL MOTORE NON SI AVVIA	Possibile causa	Correzione
1. Controllare il carburante.	Esaurito il carburante.	Rifornimento di carburante
	Carburante scadente; motore immagazzinato senza trattamento o scarico della benzina, di rifornimento di benzina scadente	Svuotare il serbatoio e il carburatore. Rifornire con benzina fresca.
2. Rimuovere e ispezionare la candela.	Candela di accensione difettosa, sporca o non correttamente tarata.	Sostituire la candela.
	Candela bagnata di carburante (motore ingolfato).	Asciugare e reinstallare la candela.
3. Portare il motore presso un rivenditore autorizzato o consultare il manuale d'officina.	Filtro del carburante intasato, malfunzionamento del carburatore, malfunzionamento dell'accensione, valvole bloccate, ecc.	Se necessario, sostituire o riparare i componenti difettosi.
4. Premete il pulsante di innesco	In condizioni di freddo	Premete il pulsante di primo soccorso.

IL MOTORE MANCA DI POTENZA	Possibile causa	Correzione
1. Controllare il filtro dell'aria	Elementi del filtro dell'aria intasati.	Pulire o sostituire gli elementi del filtro dell'aria.
2. Controllare il carburante	Carburante scadente; motore immagazzinato senza trattamento o scarico della benzina, di rifornimento di benzina scadente.	Svuotare il serbatoio e il carburatore. Rifornire con benzina fresca.
3. Portare il motore presso un rivenditore autorizzato o consultare il manuale d'officina.	Filtro del carburante intasato, malfunzionamento del carburatore, malfunzionamento dell'accensione, valvole bloccate, ecc.	Se necessario, sostituire o riparare i componenti difettosi.

## Dati tecnici

Modello:	PM4810	PM4820	PM4830	PM5310	PM5810
Cilindrata:	145cm <sup>3</sup>	145cm <sup>3</sup>	145cm <sup>3</sup>	170cm <sup>3</sup>	196cm <sup>3</sup>
Tipo di motore:	OHV Euro V	OHV Euro V	OHV Euro V	OHV Euro V	OHV Euro V
Larghezza di taglio:	42 cm	46 cm	46 cm	51 cm	53 cm
Regolazione dell'altezza:	25-75 mm (6 impostazioni)	25-75 mm (6 impostazioni)	25-75 mm (6 impostazioni)	25-75 mm (6 impostazioni)	25-75 mm (6 impostazioni)
Capacità del raccogliore d'erba:	45L	65L	65L	65L	65L
Dimensioni delle ruote:	150 mm (FR)/180 mm (R)	180 mm (FR)/230 mm (R)	180 mm (FR)/230 mm (R)	180 mm (FR)/230 mm (R)	200 mm (FR)/280 mm (R)
Tipo:	Spinta a mano	Spinta a mano	Semovente	Semovente	Semovente
Tipo di olio motore:	SAE 10w-30 o SAE20w50*	SAE 10w-30 o SAE 20w50*	SAE 10w-30 o SAE 20w50*	SAE 10w-30 o SAE 20w50*	SAE 10w-30 o SAE 20w50*
Carburante consigliato:	Benzina senza piombo 94 Ottano o superiore	Benzina senza piombo 94 Ottano o superiore	Benzina senza piombo 94 Ottano o superiore	Benzina senza piombo 94 Ottano o superiore	Benzina senza piombo 94 Ottano o superiore
Funzioni:	3 in 1	3 in 1	3 in 1	4 in 1	4 in 1

\* Scegliere il tipo appropriato in base alla temperatura ambientale locale.

**Attenzione!** Per motivi di sicurezza, la macchina può essere consegnata senza olio motore.

Prima di avviare la macchina, controllare il livello dell'olio motore e rabboccarlo con una quantità adeguata.

\* Il produttore si riserva il diritto di apportare modifiche minori al design e alle specifiche tecniche del prodotto senza preavviso, a meno che tali modifiche non influiscano in modo significativo sulle prestazioni e sulla sicurezza dei prodotti. Le parti descritte/illustrate nelle pagine del manuale che avete tra le mani possono riguardare anche altri modelli della linea di prodotti del produttore con caratteristiche simili e potrebbero non essere incluse nel prodotto appena acquistato.

\* Per garantire la sicurezza e l'affidabilità del prodotto e la validità della garanzia, tutti i lavori di riparazione, ispezione, riparazione o sostituzione, compresa la manutenzione e le regolazioni speciali, devono essere eseguiti esclusivamente da tecnici del servizio di assistenza autorizzato del produttore.

\* Utilizzare sempre il prodotto con le apparecchiature in dotazione. L'utilizzo del prodotto con apparecchiature non in dotazione può causare malfunzionamenti o addirittura lesioni gravi o morte. Il produttore e l'importatore non sono responsabili per lesioni e danni derivanti dall'uso di apparecchiature non conformi.

Σας ευχαριστούμε που επιλέξατε την χλοοκοπτική μηχανή της εταιρείας μας.

Για να εξασφαλίσετε την βέλτιστη απόδοση λειτουργίας αλλά και την ασφαλή λειτουργία του, σας παρακαλούμε να διαβάσετε προσεκτικά όλες τις οδηγίες ασφάλειας και λειτουργίας πριν χρησιμοποιήσετε αυτό το μηχάνημα.

## Οδηγίες ασφαλείας

Βεβαιωθείτε πως ακολουθείτε τις οδηγίες ασφαλείας για να αποφύγετε τον τραυματισμό και τις βλάβες. Στο εγχειρίδιο θα βρείτε σημαντικές οδηγίες ασφαλείας σχετικά με την λειτουργία του μηχανήματος. Αυτές οι οδηγίες ασφαλείας σας ειδοποιούν για πιθανούς κινδύνους που θα μπορούσαν να βλάψουν εσάς ή άλλους. Διαβάστε προσεκτικά τις οδηγίες αυτές.

Ο κατασκευαστής, δεν είναι δυνατόν να σας προειδοποιήσει για όλους τους κινδύνους που συνδέονται με τη λειτουργία ή την συντήρηση του μηχανήματος. Η χρήση του μηχανήματος θα πρέπει να γίνεται πάντοτε βάσει της λογικής κρίσης σας τηρώντας τα βασικά μέτρα ασφαλείας που ισχύουν για όλα τα μηχανήματα.

- Διαβάστε το εγχειρίδιο οδηγιών πριν χρησιμοποιήσετε το μηχάνημα.
- Κρατήστε άλλα άτομα σε ασφαλή απόσταση κατά την διάρκεια της εργασίας.
- Αφαιρέστε το μπουζοκαλώδιο από το μπουζί και διαβάστε τις οδηγίες πριν εκτελέσετε οποιαδήποτε εργασία επισκευής ή συντήρησης.
- Το μηχάνημα διαθέτει περιστρεφόμενα μαχαίρια. Μην τοποθετείτε τα χέρια ή τα πόδια σας κοντά ή κάτω από το άνοιγμα του μηχανισμού κοπής.
- Μην το χρησιμοποιείτε το μηχάνημα σε έδαφος με κλίση άνω των 22°.
- Μην αγγίζετε περιστρεφόμενα μέρη.
- Διακόψτε την λειτουργία του κινητήρα πριν καθαρίσετε ή τακτοποιήσετε το χώρο εργασίας.
- Προειδοποίηση: Χρησιμοποιείτε πάντα σωστά εργαλεία και γνήσια ανταλλακτικά.
- Προειδοποίηση: Το μαχαίρι κοπής είναι αιχμηρό, μην αγγίζετε το μαχαίρι χωρίς γάντια προστασίας.
- Κρατήστε τους παρευρισκόμενους, ειδικά τα παιδιά σε ασφαλή απόσταση από το μηχάνημα!

### Γενικές συμβουλές ασφαλείας για την λειτουργία του μηχανήματος

Το μηχάνημα είναι σχεδιασμένο και κατασκευασμένο για την κοπή φυσικού γρασιδιού. Μην χρησιμοποιείτε το μηχάνημα για οποιοδήποτε άλλη χρήση. Η χρήση του μηχανήματος για την εκτέλεση οποιαδήποτε άλλης διαδικασίας θέτει αυτόματα τον εαυτό σας σε κίνδυνο και μπορεί να προκαλέσει βλάβη στο μηχάνημα.

Άτομα ηλικίας κάτω των 16 ετών και άτομα που δεν διαθέτουν την απαραίτητη εμπειρία χρήσης του μηχανήματος ή δεν έχουν διαβάσει τις οδηγίες δεν επιτρέπεται να χρησιμοποιήσουν το μηχάνημα.

Ο χειριστής είναι υπεύθυνος για την ασφάλεια των ατόμων που βρίσκονται εντός της περιοχής εργασίας. Κρατήστε τα παιδιά και τα κατοικίδια σε ασφαλή απόσταση από τον χώρο εργασίας.

Πριν ξεκινήσετε την εργασία, απομακρύνετε όλα τα ξένα σώματα και τα εμπόδια που θα μπορούσαν να εκσφενδονιστούν από το μαχαίρι κοπής κατά την διάρκεια λειτουργίας του μηχανήματος. Μείνετε σε εγρήγορση για να εντοπίσετε τυχόν ξένα σώματα και εμπόδια κατά την διάρκεια εργασίας.

- Βεβαιωθείτε πως όλα τα εξαρτήματα σύσφιξης όπως μπουλόνια, βίδες, παξιμάδια κτλ. είναι καλά συσφιγμένα προτού θέσετε σε λειτουργία το μηχάνημα.
- Βεβαιωθείτε πως έχετε τοποθετήσει τον κάδο ή την σακούλα συλλογής στο μηχάνημα προτού το θέσετε σε λειτουργία..
- Βεβαιωθείτε πως το μαχαίρι κοπής και τα εξαρτήματα σύσφιξης του είναι καλά συσφιγμένα προτού θέσετε σε λειτουργία το μηχάνημα. Σε περίπτωση που το μαχαίρι κοπής είναι στομαμένο/φθαρμένο θα πρέπει να ακονιστεί ή να αντικατασταθεί από έναν επαγγελματία.
- Για την ορθή και ασφαλή εκτέλεση της εργασίας θα πρέπει να φοράτε υποδήματα ασφαλείας και παντελόνι εργασίας.
- Μην θέτετε σε λειτουργία το μηχάνημα σε εσωτερικούς χώρους ή χώρους με ανεπαρκή εξαερισμό, τα καυσαέρια περιέχουν μονοξείδιο του άνθρακα, το οποίο βλάπτει την υγεία.
- Εργαστείτε μόνο σε χώρους εργασίας με επαρκή φωτισμό.
- Μην χρησιμοποιείτε το μηχάνημα υπό συνθήκες υψηλής υγρασίας, βροχή ή σε περίπτωση που το γρασίδι είναι βρεγμένο.
- Σε περίπτωση που πρέπει να χρησιμοποιήσετε το μηχάνημα σε έδαφος με κλίση. Κατευθύνετε το μηχάνημα παράλληλα με την πλαγιά και όχι ανηφορίζοντας ή κατηφορίζοντας σε αυτή.
- Διακόψτε την λειτουργία του κινητήρα σε περίπτωση που πρόκειται να αφήσετε το μηχάνημα ανεπιτήρητο ή να εκτελέσετε οποιαδήποτε ρύθμιση.
- Μην σηκώνετε το πίσω μέρος του μηχανήματος κατά την διάρκεια εκκίνησης και μην πλησιάζετε τα πόδια σας κοντά στον μηχανισμό κοπής που βρίσκεται στο κάτω μέρος του μηχανήματος και στην έξοδο του.
- Δεν επιτρέπεται η οποιαδήποτε ρύθμιση ή μετατροπή των συστημάτων που σχετίζονται με την ταχύτητα λειτουργίας του μηχανήματος η οποία έχει προ-ρυθμιστεί από το εργοστάσιο κατασκευής του.
- Για τα αυτοκινούμενα μηχανήματα, αποσυμπλέξτε το σύστημα μετάδοσης της κίνησης προτού θέσετε σε λειτουργία το μηχάνημα.
- Μην σηκώνετε ή μεταφέρετε το μηχάνημα την στιγμή που βρίσκεται σε λειτουργία.
- Διακόψτε την λειτουργία του κινητήρα και αποσυνδέστε την μπουζόπιπα από το μπουζί στις παρακάτω περιπτώσεις:
  - Πριν από οποιαδήποτε εργασία ή ρύθμιση του μηχανισμού κοπής ή του στομίου εξόδου.
  - Πριν από οποιαδήποτε εργασία ρύθμισης, ελέγχου ή συντήρησης του μηχανήματος.
  - Πριν την μεταφορά, μετακίνηση ή ανύψωση του μηχανήματος.
  - Σε περίπτωση που πρέπει να εγκαταλείψετε τον χώρο εργασίας αφήνοντας το μηχάνημα ανεπιτήρητο ή πριν από την ρύθμιση του ύψους του μηχανήματος.
  - Πριν από την αφαίρεση και το άδειασμα του κάδου συλλογής του γρασιδιού.
  - Μετά από οποιαδήποτε αλληλεπίδραση με ξένα σώματα ή εμπόδια. Διακόψτε την λειτουργία του κινητήρα και ελέγξτε προσεκτικά το μηχάνημα για να βεβαιωθείτε πως δεν προκλήθηκε ζημιά ή βλάβη. Παραδώστε το μηχάνημα σε ένα από τα εξουσιοδοτημένα τμήματα Service της εταιρείας προς έλεγχο και επισκευή.

**Προσοχή! Το μαχαίρι κοπής του μηχανήματος συνεχίζει να περιστρέφεται για κάποια δευτερόλεπτα μετά την διακοπή λειτουργίας του κινητήρα.**

- Σε περίπτωση που αντιληφθείτε πως το μηχάνημα παράγει κραδασμούς, παραδώστε το μηχάνημα σε ένα από τα εξουσιοδοτημένα τμήματα Service.
- Για την ασφαλή λειτουργία του μηχανήματος, βεβαιωθείτε πως όλα τα εξαρτήματα σύσφιξης όπως μπουλόνια, βίδες, παξιμάδια κτλ. είναι καλά συσφιγμένα προτού θέσετε σε λειτουργία το μηχάνημα.

### Προσοχή! Η βενζίνη είναι πολύ εύφλεκτη!

- Διατηρήστε την βενζίνη σε ένα ειδικό δοχείο καυσίμου κατά την αποθήκευσή της.
- Ανεφοδιάστε με καύσιμο χρησιμοποιώντας ένα κατάλληλο χωνί, πάντοτε σε εξωτερικό χώρο. Μην καπνίζετε. Μην χρησιμοποιείτε συσκευή κινητής τηλεφωνίας κατά την διάρκεια του ανεφοδιασμού.
- Βεβαιωθείτε πως έχετε συμπληρώσει την σωστή ποσότητα λαδιού και καυσίμου προτού θέσετε σε λειτουργία το μηχάνημα. Μην ξεβιδώσετε την τάπα

καυσίμου την στιγμή που ο κινητήρας βρίσκεται σε λειτουργία ή είναι ακόμα ζεστός.

- Ποτέ μην θέσετε σε λειτουργία τον κινητήρα σε περίπτωση που έχει χυθεί καύσιμο, μετακινήστε το μηχάνημα μακριά από το σημείο όπου χύθηκε το καύσιμο και περιμένετε μέχρι να εξατμιστεί το καύσιμο από την επιφάνεια.
- Βεβαιωθείτε πως έχετε συσφίξει καλά την τάπα του δοχείου καυσίμου.

## Εικονογράμματα ασφαλείας



Διαβάστε τις οδηγίες του εγχειριδίου πριν θέσετε σε λειτουργία το μηχάνημα.



Κρατήστε τους παρευρισκόμενους σε ασφαλή απόσταση από τον χώρο εργασίας.



Αποσυνδέστε την μπαταρία από το μπουζί και διαβάστε προσεκτικά τις οδηγίες πριν από κάθε διαδικασία συντήρησης ή ρύθμισης.



Προσοχή στα κινούμενα εξαρτήματα κοπής. Μην πλησιάζετε τα χέρια ή τα πόδια σας κοντά στα εξαρτήματα του μηχανισμού κοπής.



Μη χρησιμοποιείτε το μηχάνημα σε έδαφος με κλίση άνω των 22°



Μην ακουμπάτε τα περιστρεφόμενα εξαρτήματα.



Διακόψτε την λειτουργία του κινητήρα όταν εκτελείτε καθαρισμό/τακτοποίηση του χώρου εργασίας.

## Συναρμολόγηση

### Αποσυσκευασία

Αφαιρέστε το μηχάνημα από το χαρτοκιβώτιο και εντοπίστε τα υπόλοιπα εξαρτήματα που βρίσκονται εντός της συσκευασίας.

### Σύνδεση της λαβής του σκοινιού εκκίνησης

Σε περίπτωση που το σκοινί εκκίνησης δεν είναι προσυναρμολογημένο. Τοποθετήστε το σκοινί εκκίνησης στην λαβή και συσφίξτε τα εξαρτήματα σύνδεσης. Τοποθετήστε το πλαστικό κολάρο στην άκρη του σκοινιού και έπειτα τον οδηγό.

### Ρύθμιση του ύψους της μπάρας οδήγησης (Εικόνες 2 και 2b)

Για να ρυθμίσετε το ύψος της μπάρας οδήγησης μπορείτε να επιλέξετε μία από τις διαθέσιμες θέσεις "L" or "H" μέσω των δύο οπών που βρίσκονται στον αριστερό σφινγκτήρα και έπειτα να συσφίξετε τα εξαρτήματα σύσφιξης.

Η οπή "H" αντιστοιχεί στην υψηλή ρύθμιση του ύψους και η "L" στην χαμηλή αντίστοιχα.

### Σύνδεση της ντίζας πέδησης (ντίζα φρένου) και της ντίζας σύμπλεξης (ντίζα συμπλέκτη) (Εικόνα C)

Συνδέστε την άκρη της κάθε ντίζας στις αντίστοιχες οπές σύνδεσης των μοχλών σύμφωνα με τις εικόνες. Περάστε τις ντίζες στα σημεία που επισημαίνονται με το βέλος.

### Σύνδεση της πρόσοψης (Εικόνες D και D1)

Αφαιρέστε την πρόσοψη και τις δύο βίδες από το χαρτοκιβώτιο, και στερεώστε την χρησιμοποιώντας τις βίδες.

\* Σημείωση: Οι προσόψεις διαφέρουν ανάλογα με τον τύπο του μηχανήματος. Η πρόσοψη δεν διατίθεται σε όλα τα μοντέλα.

### Σύνδεση του κάδου/σάκου συλλογής (Εικόνες E και F)

• Συνδέστε τις άκρες του κάδου στο πλαίσιο και ασφαλίστε τα κλιπ σύμφωνα με την εικόνα.

Ο κάδος συλλογής είναι εξοπλισμένος με έναν δείκτη πλήρωσης ο οποίος ενημερώνει τον χειριστή σε περίπτωση που ο κάδος γεμίσει πλήρως.

• Σηκώστε το οπίσθιο καπάκι, αφαιρέστε το εξάρτημα χορτολίπανσης και συνδέστε τον κάδο.

### Εξάρτημα χορτολίπανσης (Εικόνα G)

Το εξάρτημα χορτολίπανσης δημιουργεί μια καμπύλη στο θάλαμο συλλογής του μηχανήματος βελτιώνοντας την απόδοση της λειτουργίας χορτολίπανσης.

Για να συνδέσετε ή να αφαιρέσετε το εξάρτημα χορτολίπανσης θα πρέπει να σηκώσετε το οπίσθιο καπάκι. Το εξάρτημα χορτολίπανσης μπορεί να συνδεθεί μόνο από την μία πλευρά του. Για να χρησιμοποιήσετε τον κάδο συλλογής θα πρέπει να αφαιρέσετε το εξάρτημα χορτολίπανσης.

### Τοποθέτηση των στηριγμάτων στο οπίσθιο καπάκι (Εικόνα H)

Αφαιρέστε τα στηρίγματα από την αρχική συσκευασία, σηκώστε το οπίσθιο καπάκι, συνδέστε τα στηρίγματα στο οπίσθιο καπάκι. Τα στηρίγματα κρατούν σηκωμένο το καπάκι έτσι ώστε να διευκολύνεται η πρόσβαση στον θάλαμο εξόδου.

### Σύνδεση του εξαρτήματος πλευρικής απόρριψης του γρασιδιού (Εικόνα I)

Σηκώστε το οπίσθιο καπάκι και συνδέστε το εξάρτημα πλευρικής απόρριψης.

Κατά την χορτολίπανση μόνο: Αφαιρέστε το εξάρτημα πλευρικής απόρριψης.

\* Σημείωση: το εξάρτημα πλευρικής απόρριψης δεν διατίθεται σε όλα τα μοντέλα.



## Πριν από την λειτουργία

### Λάδι κινητήρα (Εικόνα J)

Προσοχή! Το μηχάνημα παραδίδεται χωρίς λάδι.

Όλοι οι κινητήρες δοκιμάζονται στο εργοστάσιο κατασκευής τους. Η μεγαλύτερη ποσότητα λαδιού αφαιρείται πριν την παράδοση τους, παρ' όλα αυτά δεν είναι δυνατή η αφαίρεση όλης της ποσότητας λαδιού από τους κινητήρες. Η ποσότητα αυτή διαφέρει από κινητήρα σε κινητήρα.

Συμπληρώστε την κατάλληλη ποσότητα λαδιού έτσι ώστε η στάθμη να βρίσκεται μεταξύ του ανώτατου και του κατώτατου ορίου του δείκτη μέτρησης της στάθμης λαδιού. Μην συμπληρώνετε υπερβολική ποσότητα λαδιού.

### Καύσιμα (Εικόνα K)

Σημείωση: Το μηχάνημα παραδίδεται χωρίς καύσιμα, ανεφοδιάστε το μηχάνημα με 1 λίτρο βενζίνης προτού θέσετε σε λειτουργία το μηχάνημα.

• Ξεβιδώστε την τάπα καυσίμου.

• Συμπληρώστε την κατάλληλη ποσότητα καυσίμου μέσω της οπής πλήρωσης της δεξαμενής. Μην συμπληρώνετε υπερβολική ποσότητα καυσίμου. Σκουπίστε τα καύσιμα σε περίπτωση που χύθηκαν σε κάποια επιφάνεια.

• Τοποθετήστε την τάπα καυσίμου και σφίξτε την καλά.

Η βενζίνη είναι πολύ εύφλεκτη, οι ατμοί και οι αναθυμιάσεις του καυσίμου μπορεί να εκραγούν, προκαλώντας σοβαρό τραυματισμό ή ακόμη και θάνατο. Να είστε ιδιαίτερα προσεκτικοί κατά τον χειρισμό των καυσίμων. Κρατήστε τα καύσιμα σε ασφαλή απόσταση από τα παιδιά.

Ο ανεφοδιασμός θα πρέπει πάντοτε να πραγματοποιείται σε χώρους με επαρκή εξαερισμό. Βεβαιωθείτε πως έχετε διακόψει την λειτουργία του κινητήρα πριν τον ανεφοδιασμό καυσίμων. Πριν τον ανεφοδιασμό καυσίμου, όπως επίσης και στον χώρο αποθήκευσης των καυσίμων θα πρέπει να βεβαιωθείτε ότι δεν υπάρχουν πηγές θερμότητας ή μηχανήματα και συσκευές που παράγουν σπινθήρες ή ενεργή φλόγα. Αποφύγετε οποιαδήποτε παρατεταμένη χρονικά επαφή με το δέρμα σας και την εισπνοή των αναθυμιάσεων. Μετά τον ανεφοδιασμό καυσίμου, σφίξτε την τάπα της δεξαμενής καυσίμου καλά. Σε περίπτωση που έχει χυθεί καύσιμο σε κάποια επιφάνεια, βεβαιωθείτε πως έχει στεγνώσει προτού θέσετε σε λειτουργία το μηχάνημα.

### Φόρτιση της μπαταρίας (Εικόνα L)

Φορτίστε την μπαταρία προτού θέσετε σε λειτουργία το μηχάνημα. Θα πρέπει να φορτίσετε την μπαταρία για 5 ώρες ώστε να φορτιστεί επαρκώς για να τροφοδοτηθεί το σύστημα εκκίνησης. Συνδέστε το βύσμα φόρτισης του φορτιστή στην υποδοχή σύνδεσης της μπαταρίας και συνδέστε τον φορτιστή στην πρίζα.

\* Σημείωση: Το ηλεκτρικό σύστημα εκκίνησης δεν διατίθεται σε όλα τα μοντέλα.

### Ρύθμιση του ύψους κοπής (Εικόνες M και M1)

Ελέγξτε κατά πόσο το ύψος κοπής είναι σωστό και κάντε τις απαραίτητες ρυθμίσεις.

Προσοχή! Το μαχαίρι κοπής μπορεί να προκαλέσει σοβαρό τραυματισμό. Διακόψτε την λειτουργία του κινητήρα προτού πραγματοποιήσετε οποιαδήποτε ρύθμιση.

## Οδηγίες λειτουργίας

### Εκκίνηση του κινητήρα (Εικόνες N1-N7)

• Φούσκα εκκίνησης (πουάρ)

Σε καιρικές συνθήκες όπου η θερμοκρασία είναι χαμηλή, είναι απαραίτητο να πιέζετε την φούσκα πριν την απόπειρα εκκίνησης.

Θερμοκρασία	Επαναλήψεις πουάρ
<0°C	3-4 φορές
0°C ~ 10°C	2-3 φορές
10°C ~ 20°C	1-2 φορές
>20°C	1 φορά

\* Σημείωση: Αυτός ο τύπος φούσκας εκκίνησης δεν διατίθεται σε όλα τα μοντέλα.

• Μετακινήστε τον λεβιέ του τσόκ στην θέση "CHOKE" (δεν διατίθεται σε όλα τα μοντέλα).

\* Σημείωση: Αυτός ο τύπος τσόκ δεν διατίθεται σε όλα τα μοντέλα.

• Τραβήξτε τον λεβιέ του φρένου προς το μέρος την μπάρας οδήγησης και κρατήστε τον πατημένο.

• Απελευθερώστε τον λεβιέ σύμπλεξης. Η ενέργεια αυτή θα εμποδίσει την μετακίνηση της μηχανής κατά την εκκίνηση.

\* Σημείωση: Αυτός ο τύπος λεβιέ σύμπλεξης δεν διατίθεται σε όλα τα μοντέλα.

• Αν η μηχανή σας διαθέτει ηλεκτρικό σύστημα εκκίνησης (μίζα), πιέστε απαλά τον διακόπτη εκκίνησης για να εκκινήσετε τον κινητήρα.

\* Σημείωση: Το ηλεκτρικό σύστημα εκκίνησης δεν διατίθεται σε όλα τα μοντέλα.

• Με το σκονί εκκίνησης τοποθετημένο στο τύμπανο εκκίνησης, τραβήξτε αργά προς το μέρος σας μέχρι να νιώσετε ελαφρά αντίσταση, έπειτα τραβήξτε το σκονί απότομα και δυνατά (σε περίπτωση που δεν επιτυγχάνεται εκκίνηση λόγω χαμηλής θερμοκρασίας, επαναλάβετε την διαδικασία άλλες 2 ή 3 φορές).

• Αμέσως μετά την εκκίνηση του κινητήρα, επαναφέρετε τον λεβιέ του τσόκ από την θέση "CHOKE" στην θέση "RUN" (αν η θερμοκρασία περιβάλλοντος είναι χαμηλή, περιμένετε για λίγα λεπτά μέχρι να προθερμανθεί ο κινητήρας).

\* Σημείωση: ο τύπος του τσόκ μπορεί να διαφέρει ανάλογα με το μοντέλο.

### Χειριστήρια και μέσα ελέγχου (Εικόνες P1-P6)

Το μαχαίρι κοπής αρχίζει να περιστρέφεται αμέσως μετά την εκκίνηση του κινητήρα. Ενώ το μηχάνημα λειτουργεί, διατηρήστε την μπάρα και τους λεβιέδες σε θέση εργασίας. Ο κινητήρας θα σταματήσει μόλις απελευθερώσετε την μπάρα και τους λεβιέδες ελέγχου του κινητήρα.

Απελευθερώστε τον λεβιέ όταν επιθυμείτε να διακόψετε την λειτουργία του κινητήρα.

### Λεβιές σύμπλεξης

Πιέστε τον λεβιέ σύμπλεξης μπροστά και κρατήστε τον πατημένο στην μπάρα οδήγησης για να οδηγήσετε την μηχανή προς τα εμπρός.

Για να σταματήσετε την κίνηση της μηχανής απελευθερώστε τον λεβιέ σύμπλεξης.

Πριν από την εκκίνηση του κινητήρα βεβαιωθείτε πως έχετε απελευθερώσει τον λεβιέ σύμπλεξης. Σε αντίθετη περίπτωση, η μηχανή θα κινηθεί προς τα

εμπρός.

Χειριστείτε τον λεβιέ σύμπλεξης κάνοντας ταχεία και πλήρη σύμπλεξη ή αποσύμπλεξη έτσι ώστε ο συμπλέκτης να είναι είτε πλήρως συμπλεγμένος ή πλήρως αποσυμπλεγμένος. Κρατήστε τον λεβιέ σύμπλεξης πλήρως πατημένο στην μπάρα οδήγησης για αυτοκινούμενα μοντέλα. Αυτό θα βοηθήσει στην παράταση της διάρκειας ζωής του μηχανισμού συμπλέκτη.

#### Λεβιές τροφοδοσίας (γκάζι)

Για καλύτερα αποτελέσματα κατά την κοπή, ο λεβιές τροφοδοσίας θα πρέπει να βρίσκεται σε θέση υψηλής ταχύτητας "FAST". Όταν το μαχαίρι περιστρέφεται βάσει της εργοστασιακής ρύθμισης υψηλής ταχύτητας η κοπή του γρασιδιού γίνεται πολύ πιο αποτελεσματικά.

\* Σημείωση: Δεν διαθέτουν όλα τα μοντέλα αυτόν τον τύπο λεβιέ τροφοδοσίας.

#### Λεβιές τροφοδοσίας μεταβλητής ταχύτητας

Η ταχύτητα μπορεί να ρυθμιστεί μεταξύ των 2.7 – 5.0 km/h κατά την διάρκεια λειτουργίας. Ενεργοποιήστε τον λεβιέ που βρίσκεται στα δεξιά στον πίνακα οργάνων χειρισμού και επιλέξτε μία από τις 4 διαθέσιμες ταχύτητες. Όταν οδηγείτε σε μία από τις δύο χαμηλότερες ταχύτητες η διαφορά βήματος δεν θα διαφέρει σημαντικά.

\* Σημείωση: Δεν διαθέτουν όλα τα μοντέλα αυτόν τον τύπο λεβιέ τροφοδοσίας.

#### Διακοπή λειτουργίας του κινητήρα

Ρυθμίστε τον λεβιέ τροφοδοσίας στην θέση "SLOW".

\* Σημείωση: Δεν διαθέτουν όλα τα μοντέλα αυτόν τον τύπο λεβιέ τροφοδοσίας.

- Απελευθερώστε τον λεβιέ σύμπλεξης.
- Απελευθερώστε τον λεβιέ του φρένου.

Προειδοποίηση! Η λάμα θα συνεχίσει να περιστρέφεται για λίγα δευτερόλεπτα μετά τη διακοπή λειτουργίας του κινητήρα. Αποσυνδέστε την μπουζόπιτα εάν η χλοοκοπτική πρόκειται να αφεθεί ανεπιτήρητο.

#### Συντήρηση

**Σημαντικό! Η τακτική, προσεκτική συντήρηση είναι απαραίτητη για τη διατήρηση του επιπέδου ασφάλειας και της αρχικής απόδοσης του μηχανήματος αμετάβλητου στο χρόνο.**

- Κρατήστε όλα τα παξιμάδια, τα μπουλόνια και τις βίδες καλά συσφιγμένα για να βεβαιωθείτε ότι ο εξοπλισμός είναι σε ασφαλή κατάσταση λειτουργίας. Η τακτική συντήρηση είναι απαραίτητη για την ασφάλεια και την διατήρηση της απόδοσης του μηχανήματος.
- Μην αποθηκεύετε ποτέ τον εξοπλισμό με καύσιμα στη δεξαμενή μέσα σε κτίριο όπου οι ατμοί μπορεί να έρθουν σε επαφή με ενεργή φλόγα ή σπινθήρα ή πηγή υψηλής θερμότητας.
- Αφήστε τον κινητήρα να κρυώσει πριν τον αποθηκεύσετε σε κλειστό χώρο.
- Για να μειώσετε τον κίνδυνο πυρκαγιάς, κρατήστε τον κινητήρα, την εξάτμιση, την μπαταρία και τον κάδο συλλογής καθαρά από γρασίδι, λάδι, φύλλα ή άλλα υπολείμματα. Μην αφήνετε δοχεία με κομμένο γρασίδι σε κλειστούς χώρους.
- Για λόγους ασφαλείας, μην χρησιμοποιείτε τον εξοπλισμό με φθαρμένα ή κατεστραμμένα εξαρτήματα. Τα εξαρτήματα πρέπει να αντικατασταθούν και όχι να επισκευαστούν. Χρησιμοποιείτε γνήσια ανταλλακτικά (τα μαχαίρια κοπής πρέπει πάντα να φέρουν τα εικονίδια των ανάλογων προδιαγραφών). Τα ανταλλακτικά κατώτερης ποιότητας μπορούν να προκαλέσουν βλάβη στον εξοπλισμό και να είναι επικίνδυνα για την ασφάλειά σας.
- Εάν η δεξαμενή καυσίμου πρέπει να αποστραγγιστεί, αυτό πρέπει να γίνει σε εξωτερικούς χώρους και όταν ο κινητήρας είναι κρύος.
- Φοράτε ανθεκτικά γάντια εργασίας κατά την αφαίρεση και επανατοποθέτηση του μαχαίριου κοπής.
- Ελέγξτε την ισορροπία της λάμας μετά το ακόνισμα.
- Ελέγχετε συχνά το οπίσθιο καπάκι, τον κάδο συλλογής και όλα τα εξαρτήματα προστασίας για ενδείξεις εκτεταμένης φθοράς.
- Κάθε φορά που πρόκειται θέσετε σε λειτουργία το μηχάνημα, να το μεταφέρετε ή να το γείρετε, πρέπει:
  - Να φοράτε ανθεκτικά γάντια εργασίας.
  - Να συγκρατείτε το μηχάνημα κρατώντας το από τα σημεία που προσφέρουν ασφαλή πρόσφυση, λαμβάνοντας υπόψη το βάρος και την κατανομή βάρους του.

#### Μαχαίρι κοπής

##### Έλεγχος κατάστασης

- Γείρετε το μηχάνημα προς τα δεξιά, έτσι ώστε η πλευρά στην οποία βρίσκεται το φίλτρο αέρα να είναι στραμμένη προς τα πάνω. Αυτό θα βοηθήσει στην πρόληψη της διαρροής καυσίμων και δεν θα δημιουργήσει πρόβλημα στην επόμενη εκκίνηση.
  - Επιθεωρήστε το μαχαίρι κοπής για τυχόν ζημιές, ρωγμές και υπερβολική σκουριά ή διάβρωση.
  - Ένα στομωμένο μαχαίρι μπορεί να ακονιστεί, αλλά σε περίπτωση που είναι υπερβολικά φθαρμένο, λυγισμένο, ραγισμένο ή με άλλο τρόπο κατεστραμμένο πρέπει να αντικατασταθεί.
  - Κατά την τοποθέτηση του μαχαίριου πρέπει πάντα να χρησιμοποιείται ροπόκλειδο.
- Βεβαιωθείτε ότι τα μπουλόνια σύσφιξης του μαχαίριου κοπής είναι καλά συσφιγμένα.

#### Αφαίρεση και αντικατάσταση (Εικόνα Q)

Εάν αφαιρέσετε το μαχαίρι για ακόνισμα ή αντικατάσταση, θα χρειαστείτε ένα ροπόκλειδο για την τοποθέτηση. Φορέστε ανθεκτικά γάντια προστασίας για να προστατεύσετε τα χέρια σας.

- Αφαιρέστε το μπουλόνι με μια κασάνια και καρυδάκι. Χρησιμοποιήστε ένα ξύλινο μπλοκ για να αποτρέψετε την περιστροφή του μαχαίριου κοπής κατά την αφαίρεση του μπουλονιού. Στη συνέχεια, αφαιρέστε το μαχαίρι κοπής.
- Τοποθετήστε το μαχαίρι κοπής χρησιμοποιώντας το μπουλόνι σύσφιξης και τις ειδικές ροδέλες. Φροντίστε να τοποθετήσετε τις ειδικές ροδέλες με την κοίλη πλευρά στραμμένη προς το μαχαίρι κοπής και την κυρτή πλευρά προς το μπουλόνι.
- Σφίξτε το μπουλόνι σύσφιξης με ένα ροπόκλειδο. Χρησιμοποιήστε ένα ξύλινο μπλοκ για να αποτρέψετε την περιστροφή του μαχαίριου κοπής κατά την σύσφιξη του μπουλονιού.

#### Καθαρισμός και αντικατάσταση του σάκου συλλογής (Εικόνα R)

##### Καθαρισμός

Πλύνετε τον σάκο με ένα λάστιχο κήπου, και αφήστε τον να στεγνώσει εντελώς πριν από τη χρήση. Εάν ο σάκος συλλογής είναι βρεγμένος θα φραγεί πολύ σύντομα.

### Αντικατάσταση σάκου συλλογής

- Αφαιρέστε τις πλαστικές άκρες του σάκου από το πλαίσιο, αφαιρέστε τον σάκο από το επάνω κάλυμμα.
- Τοποθετήστε τον υφασμάτινο σάκο στο επάνω κάλυμμα, συνδέστε τις πλαστικές άκρες του σάκου στο πλαίσιο.

### Αναμονή σύνδεσης παροχής νερού (Εικόνα R2)

- Στην αριστερή πλευρά του μηχανήματος είναι τοποθετημένη μια αναμονή σύνδεσης της παροχής νερού για την έκπλυση του θαλάμου του μηχανήματος με την βοήθεια του νερού.
  - Κατά την λειτουργία του συστήματος έκπλυσης, το μηχανήμα θα πρέπει να είναι ρυθμισμένη στο χαμηλότερο ύψος κοπής του και να βρίσκεται σε εξωτερικό χώρο έτσι ώστε να συγκρατείται το νερό στο κάτω μέρος του μηχανήματος.
  - Συνδέστε το λάστιχο στην αναμονή.
  - Ανοίξτε την στρόφιγγα της παροχής νερού και θέστε σε λειτουργία το μηχανήμα.
  - Ο θάλαμος κοπής καθαρίζεται αποτελεσματικά με την βοήθεια του περιστρεφόμενου μαχαριού κοπής.
- Σημείωση: Το σύστημα έκπλυσης δεν διατίθεται σε όλα τα μοντέλα.

### Συντήρηση του κινητήρα

#### Έλεγχος της στάθμης λαδιού του κινητήρα (Εικόνα J)

Ελέγξτε την στάθμη του λαδιού αφού πρώτα έχετε διακόψει την λειτουργία του κινητήρα.

- Ξεβιδώστε και αφαιρέστε την τάπα λαδιού και σκουπίστε την ράβδο μέτρησης.
- Τοποθετήστε την ράβδο μέτρησης στον λαϊμό πλήρωσης, χωρίς όμως να βιδώσετε την τάπα.
- Ελέγξτε το αποτύπωμα της στάθμης στην επιφάνεια της ράβδου. Αν βρίσκεται κοντά στο κατώτατο όριο, συμπληρώστε την κατάλληλη ποσότητα λαδιού ώστε το αποτύπωμα να βρίσκεται κοντά στο ανώτερο όριο. Μην συμπληρώνετε υπερβολική ποσότητα λαδιού.
- Βιδώστε και ασφαλίστε καλά την τάπα λαδιού.

Σημείωση: Μην θέτετε σε λειτουργία τον κινητήρα με χαμηλή στάθμη λαδιού για να αποφύγετε την πρόκληση βλάβης στον κινητήρα.

### Αλλαγή λαδιού του κινητήρα

- Αποστραγγίστε το λάδι του κινητήρα όσο είναι ζεστός. Το θερμό λάδι απομακρύνεται ταχύτερα και αποτελεσματικότερα.
- Σκουπίστε καλά τις επιφάνειες γύρω από την τάπα λαδιού, και αφαιρέστε την τάπα/δείκτη μέτρησης της στάθμης.
- Τοποθετήστε ένα κατάλληλο δοχείο συλλογής για να συλλέξετε το λάδι του κινητήρα, γείρετε το μηχανήμα προς την δεξιά πλευρά του. Το χρησιμοποιημένο λάδι θα αποστραγγιστεί μέσω του λαϊμού πλήρωσης. Περιμένετε μέχρι να αποστραγγιστεί όλη η ποσότητα λαδιού.
- Απορρίψτε το χρησιμοποιημένο λάδι κινητήρα και τα δοχεία με τρόπο φιλικό προς το περιβάλλον. Σας προτείνουμε να το παραδώσετε σε σφραγισμένο δοχείο στο τοπικό σας κέντρο ανακύκλωσης ή σε πρατήριο καυσίμων για ανακύκλωση. Μην το απορρίπτετε με τα οικιακά απορρίμματα, στο έδαφος, ή την αποχέτευση.
- Χρησιμοποιήστε το συνιστώμενο λάδι. Μην συμπληρώνετε υπερβολική ποσότητα λαδιού. Περιμένετε ωστόσο κατακαθιστεί το λάδι, και έπειτα μετρήστε την στάθμη του λαδιού.
- \* Ορισμένα μοντέλα είναι εξοπλισμένα με τάπα αποστράγγισης λαδιού. Ξεβιδώστε και αφαιρέστε το μπουλόνι αποστράγγισης λαδιού και αφήστε το λάδι να στραγγίξει στο δοχείο. Βεβαιωθείτε ότι σφίξατε με ασφάλεια το μπουλόνι αποστράγγισης και προσθέστε την ροδέλα στεγανοποίησης (εάν περιλαμβάνεται).

### Συντήρηση του φίλτρου αέρα (Εικόνα T)

Σημείωση: Η λειτουργία του κινητήρα χωρίς φίλτρο αέρα ή με ελαττωματικό φίλτρο αέρα, θα επιτρέψει την είσοδο ρύπων και υπολειμμάτων στον κινητήρα, προκαλώντας ταχεία φθορά του κινητήρα.

- Πιέστε προς τα κάτω τα κλιπ και αφαιρέστε το κάλυμμα.
- Αφαιρέστε το φίλτρο από τη βάση του.
- Επιθεωρήστε το φίλτρο και το αφρώδες στοιχείο και αντικαταστήστε τα εάν έχουν υποστεί βλάβη ή έχουν φθαρεί υπερβολικά.
- Καθαρίστε το φίλτρο χτυπώντας το απαλά, αρκετές φορές σε μια σκληρή επιφάνεια για να αφαιρέσετε την σκόνη ή φυσήξτε το με συμπιεσμένο αέρα χαμηλής ταχύτητας από την εσωτερική πλευρά προς την εξωτερική. Ποτέ μην προσπαθήσετε να χρησιμοποιήσετε βούρτσα για τον καθαρισμό του φίλτρου. Το βούρτσισμα θα προκαλέσει εισχώρηση των ρύπων στο εσωτερικό των ινών.
- Καθαρίστε την σκόνη και τους ρύπους από το εσωτερικό της βάσης του φίλτρου αέρα και του καλύμματος χρησιμοποιώντας ένα ελαφρώς νοτισμένο πανί. Να είστε προσεκτικοί έτσι ώστε να αποτρέψετε την εισχώρηση ρύπων από την είσοδο του αεραγωγού που οδηγεί στο καρμπυρατέρ.
- Τοποθετήστε ξανά το φίλτρο και το κάλυμμα.

### Συντήρηση του μπουζί (Εικόνας U - U1 - U2)

Για καλύτερα αποτελέσματα, το μπουζί θα πρέπει να έχει το σωστό διάκενο και να είναι καθαρό από ρύπους.

- Αποσυνδέστε την μπουζόπιπα και καθαρίστε προσεκτικά τις εξωτερικές επιφάνειες γύρω από το σημείο σύνδεσης.
- Ξεσφίξτε το μπουζί χρησιμοποιώντας ένα μπουζόκλειδο και έπειτα αφαιρέστε το προσεκτικά.
- Ελέγξτε το μπουζί προσεκτικά. Αντικαταστήστε το σε περίπτωση που οι ακίδες είναι φθαρμένες υπερβολικά ή η μόνωση είναι ραγισμένη ή σπασμένη.
- Μετρήστε το διάκενο χρησιμοποιώντας ένα φίλερ. Το διάκενο θα πρέπει να είναι από 0.7 ~ 0.8mm. Διορθώστε το διάκενο, αν κρίνετε πως είναι απαραίτητο λυγίζοντας προσεκτικά το ηλεκτρόδιο με το κατάλληλο εργαλείο.
- Βιδώστε προσεκτικά το μπουζί με το χέρι σας για να αποφύγετε την πρόκληση βλάβης στο σπείρωμα και έπειτα σφίξτε το με το μπουζόκλειδο.
- Συνδέστε την μπουζόπιπα στο μπουζί.

Σημείωση: Ένα ανεπαρκώς σφισμένο μπουζί μπορεί να υπερθερμανθεί κατά την διάρκεια λειτουργίας του κινητήρα και να οδηγήσει σε βλάβη του κινητήρα. Αντιθέτως η υπερβολική σύσφιξη του μπουζί θα προκαλέσει βλάβη στο σπείρωμα του κυλίνδρου.

### Ρύθμιση των ντιζών (Εικόνα V)

Πριν από τη χρήση του μηχανήματος, η τάση και οι ρυθμίσεις των ντιζών θα πρέπει πάντα να ελέγχεται.

Οι ντιζες μπορούν να ελεγχθούν ενεργοποιώντας πλήρως τον κάθε λεβιέ και ελέγχοντας αν η τάση είναι σωστή. Αν όχι, πρέπει να την αυξήσετε. Εάν ο λεβιές δεν μπορεί εύκολα να ενεργοποιηθεί πλήρως, τότε η τάση της ντιζας πρέπει να μειωθεί.

Μετά την πρώτη σεζόν εργασιών, πρέπει να αναμένεται ότι η τάση της κάθε ντιζας θα πρέπει να ρυθμιστεί ξανά καθώς οι ντιζες μπορούν να τεταθούν λόγω της πολυώρης χρήσης.

Ενδέχεται να είναι απαραίτητη η ρύθμιση των ακόλουθων ντιζών:

1. Ντιζα σύμπλεξης.
2. Ντιζα πέδησης.
3. Ντιζα τροφοδοσίας.

## Περιοδική συντήρηση

ΠΡΟΓΡΑΜΜΑ ΠΕΡΙΟΔΙΚΗΣ ΣΥΝΤΗΡΗΣΗΣ (4)		ΠΡΙΝ ΑΠΟ ΚΑΘΕ ΧΡΗΣΗ	ΤΟΝ ΠΡΩΤΟ ΜΗΝΑ Ή 5 ΩΡΕΣ ΛΕΙΤΟΥΡΓΙΑΣ	ΚΑΘΕ 3 ΜΗΝΕΣ Ή 25 ΩΡΕΣ ΛΕΙΤΟΥΡΓΙΑΣ	ΚΑΘΕ 6 ΜΗΝΕΣ Ή 50 ΩΡΕΣ ΛΕΙΤΟΥΡΓΙΑΣ	ΚΑΘΕ ΧΡΟΝΟ Ή 100 ΩΡΕΣ ΛΕΙΤΟΥΡΓΙΑΣ	ΚΑΘΕ ΔΥΟ ΧΡΟΝΙΑ Ή 250 ΩΡΕΣ ΛΕΙΤΟΥΡΓΙΑΣ
ΤΜΗΜΑ Εκτέλεση σε κάθε υποδεικνυόμενο χρονικό διάστημα μήνα ή ώρας λειτουργίας, όποιο από τα δύο έρθει πρώτο.							
Λάδι κινητήρα	Ελέγξτε	0					
	Αντικατάσταση		0	0 (2)			
Φίλτρο αέρα	Ελέγξτε		0				
	Αντικατάσταση			0			
Μπουζί	Έλεγχος - ρύθμιση					0	
	Αντικατάσταση						0
Πέλμα πέδησης σφονδύλου (Τύπος Α)	Έλεγχος					0	
Δεξαμενή και φίλτρο καυσίμου	Καθαρισμός			0			
Σωληνάκια καυσίμου	Ελέγξτε	Κάθε 2 χρόνια (αντικαταστήστε αν είναι απαραίτητο)					
Διάκενο βαλβίδων	Έλεγχος - ρύθμιση					0	
Θάλαμος καύσης	Καθαρισμός	Μετά από κάθε 200 ώρες.					

## Προδιορισμός βλαβών

0 κινητήρας δεν εκκινείται	Πιθανή αιτία	Ενέργεια επιδιόρθωσης
1. Ελέγξτε τα καύσιμα	Δεν υπάρχει καύσιμο στην δεξαμενή	Ανεφοδιασμός
	Χαμηλή ποιότητα καυσίμου. Το μηχανήμα αποθηκεύτηκε χωρίς να έχουν πρώτα αφαιρεθεί τα καύσιμα, ή ανεφοδιάστηκε με καύσιμα χαμηλής ποιότητας	Αδειάστε το καύσιμο από το καρμπυρατέρ και από την δεξαμενή καυσίμου. Ανεφοδιάστε με νέο καύσιμο.
2. Αφαιρέστε και ελέγξτε το μπουζί	Το μπουζί είναι ελαττωματικό, φραγμένο ή έχει λανθασμένη ρύθμιση διάκενου.	Αντικαταστήστε το μπουζί.
	Το μπουζί είναι βρεγμένο με καύσιμο.	Στεγνώστε και επανατοποθετήστε το μπουζί.
3. Παραδώστε το μηχανήμα σε ένα εξουσιοδοτημένο τμήμα Service προς έλεγχο και επισκευή	Το φίλτρο αέρα είναι φραγμένο, πρόβλημα στο καρμπυρατέρ, πρόβλημα στο σύστημα ανάφλεξης, μπλοκαρισμένες βαλβίδες, κτλ.	Επισκευάστε ή αντικαταστήστε τα ελαττωματικά εξαρτήματα.
4. Πιέστε την φούσκα εκκίνησης (πουάρ)	Χαμηλή θερμοκρασία περιβάλλοντος, κρύος κινητήρας.	Πιέστε την φούσκα εκκίνησης (πουάρ).

Έλλειψη ισχύος	Πιθανή αιτία	Ενέργεια επιδιόρθωσης
1. Ελέγξτε το φίλτρο αέρος	Τα στοιχεία του φίλτρου αέρος είναι φραγμένα	Καθαρίστε ή αντικαταστήστε τα στοιχεία
2. Ελέγξτε τα καύσιμα	Χαμηλή ποιότητα καυσίμου. Το μηχανήμα αποθηκεύτηκε χωρίς να έχουν πρώτα αφαιρεθεί τα καύσιμα, ή ανεφοδιάστηκε με καύσιμα χαμηλής ποιότητας	Αδειάστε το καύσιμο από το καρμπυρατέρ και από την δεξαμενή καυσίμου.
		Ανεφοδιάστε με νέο καύσιμο.
3. Παραδώστε το μηχανήμα σε ένα εξουσιοδοτημένο τμήμα Service προς έλεγχο και επισκευή	Το φίλτρο αέρα είναι φραγμένο, πρόβλημα στο καρμπυρατέρ, πρόβλημα στο σύστημα ανάφλεξης, κολλημένες βαλβίδες, κτλ.	Επισκευάστε ή αντικαταστήστε τα ελαττωματικά εξαρτήματα.

## Τεχνικά Χαρακτηριστικά

Μοντέλο:	PM4810	PM4820	PM4830	PM5310	PM5810
Κυβισμός:	145cc	145cc	145cc	170cc	196cc
Engine type:	OHV Euro V	OHV Euro V	OHV Euro V	OHV Euro V	OHV Euro V
Πλάτος κοπής:	42cm	46cm	46cm	51cm	53cm
Εύρος ρύθμισης ύψους:	25-75mm (6 ρυθμίσεις)	25-75mm (6 ρυθμίσεις)	25-75mm (6 ρυθμίσεις)	25-75mm (6 ρυθμίσεις)	25-75mm (6 ρυθμίσεις)
Χωρητικότητα κάδου:	45L	65L	65L	65L	65L
Διαστάσεις τροχών:	150mm(Εμπ.) 180mm(Οπ.)	180mm(Εμπ.) 230mm(Οπ.)	180mm(Εμπ.) 230mm(Οπ.)	180mm(Εμπ.) 230mm(Οπ.)	200mm(Εμπ.) 280mm(Οπ.)
Τύπος:	Ωθούμενη	Ωθούμενη	Αυτοκινούμενη	Αυτοκινούμενη	Αυτοκινούμενη
Τύπος λαδιού κινητήρα:	SAE 10w-30 ή SAE 20w50*	SAE 10w-30 ή SAE 20w50*	SAE 10w-30 ή SAE 20w50*	SAE 10w-30 ή SAE 20w50*	SAE 10w-30 ή SAE 20w50*
Τύπος καυσίμου:	Αμόλυβδη βενζίνη 94 οκτανίων και άνω	Αμόλυβδη βενζίνη 94 οκτανίων και άνω	Αμόλυβδη βενζίνη 94 οκτανίων και άνω	Αμόλυβδη βενζίνη 94 οκτανίων και άνω	Αμόλυβδη βενζίνη 94 οκτανίων και άνω
Λειτουργίες:	3 σε 1	3 σε 1	3 σε 1	4 σε 1	4 σε 1

\* Επιλέξτε τον κατάλληλο τύπο ανάλογα με την τοπική θερμοκρασία περιβάλλοντος.

Προσοχή! Για λόγους ασφαλείας, το μηχάνημα ενδεχομένως να παραδοθεί χωρίς λάδι κινητήρα.

Παρακαλούμε να ελέγξετε την στάθμη λαδιού κινητήρα και να συμπληρώσετε την κατάλληλη ποσότητα λαδιού προτού θέσετε σε λειτουργία το μηχάνημα.

\* Ο κατασκευαστής διατηρεί το δικαίωμα να πραγματοποιήσει δευτερεύουσες αλλαγές στο σχεδιασμό του προϊόντος και στα τεχνικά χαρακτηριστικά χωρίς προηγούμενη ειδοποίηση, εκτός εάν οι αλλαγές αυτές επηρεάζουν σημαντικά την απόδοση και λειτουργία ασφάλειας των προϊόντων. Τα εξαρτήματα που περιγράφονται / απεικονίζονται στις σελίδες του εγχειριδίου που κρατάτε στα χέρια σας ενδέχεται να αφορούν και σε άλλα μοντέλα της σειράς προϊόντων του κατασκευαστή, με παρόμοια χαρακτηριστικά, και ενδέχεται να μην περιλαμβάνονται στο προϊόν που μόλις αποκτήσατε.

\* Για να διασφαλιστεί η ασφάλεια και η αξιοπιστία του προϊόντος καθώς και η ισχύς της εγγύησης όλες οι εργασίες επιδιόρθωσης, ελέγχου, επισκευής ή αντικατάστασης συμπεριλαμβανομένης της συντήρησης και των ειδικών ρυθμίσεων, πρέπει να εκτελούνται μόνο από τεχνικούς του εξουσιοδοτημένου τμήματος Service του κατασκευαστή.

\* Χρησιμοποιείτε πάντα το προϊόν με τον παρεχόμενο εξοπλισμό. Η λειτουργία του προϊόντος με μη-προβλεπόμενο εξοπλισμό ενδέχεται να προκαλέσει βλάβη ή ακόμα και σοβαρό τραυματισμό ή θάνατο. Ο κατασκευαστής και ο εισαγωγέας ουδεμία ευθύνη φέρει για τραυματισμούς και βλάβες που προκύπτουν από την χρήση μη προβλεπόμενου εξοπλισμού.

Благодарим ви, че избрахте нашата бензинова косачка.

За да сте сигурни, че получавате най-добрите резултати от вашата бензинова косачка, моля, прочетете внимателно всички тези инструкции за безопасност и работа, преди да използвате тази продукт.

## Инструкции за безопасност

Вашата безопасност и безопасността на другите са много важни. В това ръководство и върху косачката сме предоставили важни съобщения за безопасност. Тази информация ви предупреждава за потенциални опасности, които могат да наранят вас или други хора. Моля, прочетете внимателно тези съобщения.

Разбира се, не е практично или възможно да ви предупредим за всички опасности, свързани с експлоатацията или поддръжката на косачка за трева. Трябва да използвате собствените си добра преценка.

- Прочетете ръководството за експлоатация, преди да използвате машината.
- Дръжте другите хора на безопасно разстояние, докато работите
- Отстранете кабела на запалителната свещ от запалителната свещ и прочетете инструкциите, преди да извършвате ремонт или поддръжка.
- Остриета в движение. Не поставяйте ръце или крака близо до или под отвора на режещата плоча.
- Не използвайте на хълмове над 22°.
- Не докосвайте въртящите се части.
- Преди почистване на работната зона спрете двигателя.
- Предупреждение: Винаги използвайте подходящи инструменти и оригинални резервни части.
- Предупреждение: Острието е остро, не го докосвайте.
- Пазете околните, особено децата, настрана!

### Общи условия за използване

Тази машина трябва да се използва изключително за косене на естествена трева. Никога не използвайте косачката за други цели. Всяко друго използване може да доведе до опасност за вашата безопасност и може да доведе до повреда на косачката.

Лица под 16-годишна възраст и лица, които не са запознати с инструкциите за употреба, не трябва да използват косачката.

Потребителят е отговорен за безопасността на другите хора в работната зона. Дръжте децата и домашните животни на безопасно разстояние, докато косачката се използва. Преди да косите, отстранете всички чужди предмети от тревата, които могат да бъдат изхвърлени от машината, бъдете нащрек за чужди предмети, които може да са били пропуснати.

- Проверете дали всички гайки, болтове и винтове са добре затегнати.
- Преди косене поставете коша за трева на мястото му.
- Преди косене се уверете, че острието и винтът за закрепване на острието са здраво закрепени. Когато режешите ръбове се нуждаят от преточване, това трябва да се направи равномерно от двете страни, за да се предотврати всякакъв дисбаланс. Ако острието е повредено, то трябва да се смени.
- Когато косите, винаги носете дълъг панталон и здрави обувки.
- Не пускайте двигателя в затворено и/или лошо проветриво помещение, където газовете на двигателя съдържат въглероден оксид, който е опасен за вашата здраве.
- Работете само когато има достатъчно светлина.
- Не използвайте косачката, когато вали дъжд или когато тревата е мокра.
- Особени предпазни мерки трябва да се вземат при косене на склонове или спускащи се участъци. Косете по лицето на склоновете, никога надолу или нагоре.
- Изключете двигателя, ако трябва да оставите косачката без надзор, да я преместите или да я наклоните.
- Никога не повдигайте задната част на косачката, докато стартирате двигателя, и никога не поставяйте ръцете и краката си под коша или в улея за задно изхвърляне, докато двигателят работи.
- Никога не променяйте по какъвто и да е начин номиналната скорост на двигателя.
- При самоходните косачки изключете самоходната система, преди да стартирате двигателя.
- Никога не вдигайте и не пренасяйте косачката, докато двигателят работи.
- В тези случаи спрете двигателя и свалете капачката на запалителната свещ:
  - Преди да започнете работа под палубата или задния улей за изхвърляне на трева.
  - Преди всякакви операции по поддръжка, ремонт или проверка.
  - Преди да пренасяте, повдигате или сваляте косачката.
  - Ако оставите косачката без надзор или промените височината на рязане.
  - За изваждане и изпразване на коша за трева.
  - След удар с чужд предмет спрете двигателя и проверете добре косачката, за да видите дали е повредена. Занесете косачката в договорен сервиз, за да извършите ремонт, ако е необходимо.

**Предупреждение! След като сте спрели двигателя, ножът все още е в движение в продължение на няколко секунди.**

- Ако косачката вибрира по необичаен начин, открийте причините за това и отнесете косачката си в договорен сервиз.
- Редовно проверявайте дали болтовете, гайките и винтовете са добре затегнати, за да използвате косачката безопасно.

### Предупреждение! БЕНЗИНЪТ Е СИЛНО ЗАПАЛИМ!

- Съхранявайте бензина в каничка, направена специално за тази цел.
- Напълнете резервоара с помощта на фуния и извършете операцията навън. Не пушете. Не използвайте мобилен телефон.
- Заредете с бензин и масло, преди да стартирате двигателя. Никога не отваряйте капачката на резервоара за гориво, за да добавите бензин, докато двигателят работи или е все още горещ.
- Не стартирайте двигателя, ако наоколо има разпръснат бензин, отдалечете косачката от мястото, където се е разпръснал бензинът, и избягвайте всякакъв контакт с горещ източник, докато разпръснатият бензин се изпари напълно.
- Затегнете плътно капачката на резервоара за гориво и затворете плътно капачката на каната.

## Символи за безопасност



Прочетете ръководството за експлоатация, преди да използвате машината.



Дръжте другите хора на безопасно разстояние, докато работите



Отстранете кабела на запалителната свещ от свещта и прочетете инструкциите, преди да извършвате ремонт или поддръжка.



Остриета в движение. Не поставяйте ръце или крака близо до или под отворената режеща плоча.



Не използвайте на хълмове над 22°



Не докосвайте въртящите се части.



Изключете двигателя преди почистване на работната зона.

## Сглобяване

### Разопаковане на

Извадете косачката от кашона и проверете внимателно за допълнителни разхлабени части.

### Настройка на дръжката

Отворете дръжката и завийте частите на дръжката с четирите винта и копчетата. Поставете стартера на откат отдясно на дръжката и фиксирайте кабела с пластмасовата яка. Въведете въжето на дръжката на стартера на откат върху опорното водещо въже.

### Регулиране на височината на дръжката (Снимки 2 и 2b)

Ако искате да регулирате височината на дръжката, можете да изберете два отвора "L" или "H" в лявата и дясната скоба, за да фиксирате дръжката с винтове и копчета. Отворът "H" е за висока позиция на кормилото, а отворът "L" е за ниска позиция на кормилото.

### Настройка на въжетата на спирачките и съединителя (Снимка C)

Вкарайте спирачното въже и въжето на съединителя в отвора на съответния лост, вижте илюстрацията. Стрелката показва къде трябва да се прокара кабелът.

### Настройка на панела (снимки D и D1)

Извадете панела и двата винта или болта в торбичка от картонената опаковка и закрепете панела с винтове.

\* Забележка: Различните модели имат различен панел. Не всички модели имат среден панел.

### Сглобка на торбата за трева (Снимки E и F)

- Прикрепете пластмасовите краища на чантата към рамката и закрепете щипките, както е показано. Колекторът за трева е снабден с удобен индикатор, който показва дали кутията е пълна с трева и трябва да се изпразни.
- Повдигнете предпазителя на задното изхвърляне, извадете щепсела за мулчиране и поставете торбата за трева.

### Щепсел за мулчиране (снимка G)

Тапата за мулчиране спомага за изкривяване на вътрешността на косилния апарат за по-ефективно мулчиране. Монтирайте и демонтирайте тапата за мулчиране, като повдигнете предпазителя на задното изхвърляне, както е показано на фигурата. Тапата за мулчиране се монтира само в една посока.

Отстранете тапата за мулчиране, когато използвате торба за трева.

### Опори за предпазване на задното изхвърляне (Снимка H)

Извадете от картонената кутия две опори в торбичка и повдигнете предпазителя за задното изхвърляне, монтирайте двете опори, които могат да задържат предпазителя за задното изхвърляне, и това може да направи тревата по-ефективна от палубата.

### Сглобка на капака за странично изхвърляне (Снимка I)

Повдигнете предпазителя за странично изхвърляне и монтирайте капака за странично изхвърляне.

Само за мулчиране: свалете капака за странично изхвърляне.

\* Забележка: Не всички модели имат предпазител за странично изхвърляне.

## Преди работа

### Двигателно масло (Снимка J)

Косачката се доставя без масло в двигателя.

Всички двигатели се стартират в завода преди опаковане. По-голямата част от маслото се отстранява преди транспортиране; въпреки това известно количество масло остава в двигателя. Количеството масло, което остава в двигателя, е различно.

Долейте достатъчно масло, за да достигне нивото на маслото между горната и долната гранична маркировка на мерителната пръчка, както е показано. Не препълвайте двигателя с масло.

### Гориво (Снимка K)

Известие: Двигателят се доставя без бензин, зареждайте 1,0 литра преди стартиране на двигателя.

- Сваляне на капачката на резервоара
- Долейте гориво до долната част на границата на нивото на горивото в гърловината на резервоара за гориво. Не препълвайте резервоара. Избършете разлятото гориво, преди да стартирате двигателя.
- Затегнете капачката на резервоара за гориво

Бензинът е изключително запалим и бензиновите пари могат да се взривят, причинявайки сериозно нараняване или смърт. Бъдете изключително внимателни при работа с бензин. Пазете от достигане на деца.

Презареждайте гориво на добре проветриво място при спрян двигател. Не пушете и не допускайте появата на пламъци или искри в зоната, където двигателят се зарежда с гориво или където се намира бензинът се съхранява. Избягвайте повторен или продължителен контакт с кожата или вдишване на пари.

След зареждане с гориво затегнете здраво капачката на резервоара за гориво. Ако е разлято гориво, уверете се, че мястото е сухо, преди да стартирате двигателя.

### Зареждане на батерията (Снимка L)

Зареждане на акумулатора преди употреба Преди да използвате функцията за електрическо стартиране, акумулаторът трябва да бъде зареден за 5 часа. Поставете щепсела на зарядното устройство в отвора на акумулатора и свържете зарядното устройство към електрическата мрежа.

\* Забележка: Не всички модели разполагат с функцията за електрическо стартиране.

### Регулиране на височината на рязане (Снимка M и M1)

Проверете настройките на височината на рязане и направете необходимите корекции.

Предупреждение! Острието може да причини сериозни наранявания. Спрете двигателя, преди да регулирате височината на рязане.

## Инструкции за експлоатация

### Стартиране на двигателя (Снимка N1-N7)

- Подкачваща помпа за гориво (наричан по-нататък също "бутон за грундиране" или "бутон за зареждане", "primer")

В студено състояние е необходимо да натиснете бутона за зареждане на въздушния филтър, преди да дръпнете дръжката на стартера.

Температура	Времена за натискане
<0°C	3-4
0°C ~ 10°C	2-3
10°C ~ 20°C	1-2
>20°C	1

Също така трябва да добавим повече гориво към смесения въздух за по-лесно стартиране. Когато натиснете бутона за грундиране, горивото ще се подава директно от карбуратора към горивната камера.

\* Забележка: Не всички модели имат този PRIMER.

- Преместете лоста за дроселовата клапа в положение "CHOKE" (не се предлага за всички модели).

\* Забележка: Не всички модели имат този лост за дроселовата клапа.

- Издърпайте назад спирачния лост и го притиснете към дръжката.

- Освободете лоста на съединителя. Това ще попречи на косачката да се движи напред, когато задействате стартера.

\* Забележка: Не всички модели са оборудвани с този лост на съединителя.

- Ако моделите имат функция за електрическо стартиране, моля, натиснете леко бутона за стартиране, двигателят ще се стартира.

\* Забележка: Не всички модели разполагат с функцията за електрическо стартиране.

- Когато дръжката на стартера е в опората си, хванете дръжката на стартера с дясната си ръка и я издърпайте бавно дотолкова, че да има съпротивление, след което издърпайте енергично дръжката на стартера със стартерното въже през опората (Ако студеният старт не е достатъчен, повторете тази операция 2 или 3 пъти).

- Веднага след стартирането натиснете обратно лоста на дроселовата клапа от положение "CHOKE" в положение "RUN" (Ако температурата е ниска, оставете двигателя да работи няколко минути, преди да започнете работа).

\* Забележка: Не всички модели имат този лост за дроселовата клапа.

### Работа Управлението на косенето (Снимка P1-P6)

Острието е в действие веднага след стартирането на двигателя. Докато машината работи, поддържайте предпазната дръжка в работно положение.

Двигателят ще спре веднага щом освобождавате лоста за управление на двигателя.

Освободете лоста, за да спрете двигателя, когато се налага да напуснете косачката.

### Лост на съединителя

Натиснете лоста на съединителя напред и го задръжте върху кормилото, за да задвижите косачката напред. Освободете лоста на съединителя, за да спрете движението на косачката напред.

Винаги освобождавайте лоста на съединителя, преди да стартирате двигателя. Ако съединителят е задействан, косачката ще се движи напред.

Задействайте лоста на съединителя с бързо и цялостно движение, така че съединителят да е напълно включен или напълно изключен.

Придържайте лоста на съединителя към кормилото по време на самоходно косене. Това ще спомогне за удължаване на експлоатационния живот на механизма на съединителя.

### Лост на дросела

За да постигнете най-добро качество на косене, винаги косете с лоста за газта в положение "БЪРЗО". Когато ножът се върти със зададената бърза скорост, той създава силно ветрило, което повдига и коси тревата по-ефективно.

\* Забележка: Не всички модели имат този лост за газта.



### Лост за промяна на скоростта

Скоростта може да се регулира от 2,7 до 5,0 км/ч по време на движение. Активирайте дясната ръкохватка на таблото и задайте една от 4-те различни скорости. При шофиране в една от двете най-ниски скорости разликата в темпото няма да варира значително.

\* Забележка: Не всички модели имат този лост за газта.

### Спиране на двигателя

Преместете лоста на газта в положение "SLOW" (бавно).

\* Забележка: Не всички модели имат този лост за газта.

- Освободете лоста на съединителя.
- Освободете спирачния лост.

Предупреждение! Острието ще продължи да се върти няколко секунди след спирането на двигателя. Изключете капачката на запалителната свещ, ако косачката ще бъде оставена без надзор.

## Поддръжка

**ВАЖНО** Редовната и внимателна поддръжка е от съществено значение за запазване на нивото на безопасност и първоначалната производителност на машината непроменени във времето.

- Затегнете всички гайки, болтове и винтове, за да сте сигурни, че оборудването е в безопасно работно състояние. Редовната поддръжка е от съществено значение за безопасността и производителността.
- Никога не съхранявайте оборудването с гориво в резервоара в сграда, където парите могат да достигнат до пламък или искра, или до източник на силна топлина.
- Оставете двигателя да изстине, преди да го съхранявате в затворено помещение.
- За да намалите опасността от пожар, поддържайте двигателя, шумозаглушителя на изпускателната система, отделението за акумулатора и мястото за съхранение на горивото чисти от трева, листа или прекомерна мазнина. Не оставяйте контейнери с окосена трева в помещенията.
- От съображения за безопасност не използвайте оборудването с износени или повредени части. Частите трябва да се подменят, а не да се ремонтират. Използвайте оригинални резервни части (на остриетата винаги трябва да има символ). Части, които не са от същото качество, могат да повредят оборудването и да бъдат опасни за вашата безопасност.
- Ако се налага източване на горивния резервоар, това трябва да се направи на открито и когато двигателят е хладен.
- Носете здрави работни ръкавици, когато сваляте и сглобявате острието.
- Проверете баланса на острието след заточване.
- Често проверявайте самозатварящия се предпазител и коша за трева за износване и повреда.
- Винаги, когато машината трябва да се пренася, транспортира или накланя, трябва да:
  - Носете здрави работни ръкавици;
  - Хванете машината в точките, които осигуряват безопасен захват, като вземете предвид теглото и неговото разпределение.

### Острие

#### Инспекция

- Наклонете косачката надясно, така че страната на въздушния чистач да е нагоре. Това ще помогне да се предотврати изтичането на гориво и трудното стартиране.
- Проверете острието за повреди, пукнатини и прекомерна ръжда или корозия.
- Тъпото острие може да се наточи, но острие, което е прекалено износено, огънато, напукано или повредено по друг начин, трябва да се замени.
- При монтажа на ножа винаги трябва да се използва динамометричен ключ. Проверете дали болтовете на острието са затегнати.

#### Демонтаж и монтаж (Снимка Q)

Ако сваляте острието за заточване или подмяна, ще ви е необходим динамометричен ключ за монтажа. Носете тежки ръкавици, за да предпазите ръцете си.

- Свалете болта с помощта на гаечен ключ. Използвайте дървено блокче, за да предотвратите завъртането на острието при свалянето на болта. След това извадете острието.
- Монтирайте острието с помощта на болта на острието и специалните шайби. Не забравяйте да монтирате специалните шайби с вдлъбнатата страна към острието и с изпъкналата страна към болта.
- Затегнете болта на острието с помощта на динамометричен ключ. Използвайте дървено блокче, за да предотвратите завъртането на острието при затягането на болта.

#### Почистване и смяна на торбата за трева (Снимка R)

##### Почистване

Измийте торбичката с градински маркуч и я оставете да изсъхне напълно преди употреба; мократа торбичка се запушва бързо.

##### Смяна на

- Откачете пластмасовите краища на чантата от рамката и извадете чантата от горния капак.
- Поставете торбичката от плат в горния капак, закрепете пластмасовите краища на торбичката върху рамката.

#### Дюза за вода (снимка R2)

- Лявата страна на палубата на косачката е снабдена с воден накрайник за измиване на палубата.
  - Когато използвате дюзата за вода, машината трябва да е в най-ниското положение на височина и да е поставена върху тревата. Това гарантира, че водата ще остане под палубата по време на почистването.
  - Свържете маркуча към накрайника.
  - Пуснете водата и стартирайте двигателя.
  - Въртенето на лопатките гарантира, че водата ще почисти долната страна на палубата.
- Забележка: Не всички модели имат дюза за вода.

## Поддръжка на двигателя

### Проверка на нивото на моторното масло (Снимка J)

Проверете нивото на моторното масло при спрян двигател и косачка.

- Свалете капачката на резервоара за масло и избършете пръчката за измерване.
- Поставете мерителната пръчка в гърловината за пълнене с масло, но не я завивайте.
- Проверете нивото на маслото, показано на мерителната пръчка. Ако е близо до долното, напълнете маслото до горното ниво. Не преливайте.
- Завийте здраво капачката на резервоара.

**Известие: Работата на двигателя при ниско ниво на маслото ще доведе до повреда на двигателя.**

### Смяна на моторното масло

- Излейте използваното масло, докато двигателят е топъл. Топлото масло се източва бързо и напълно.
- Избършете мястото за пълнене на маслото, след което свалете капачката на резервоара за масло/капсулата.
- Поставете подходящ съд до косачката, за да съберете използваното масло, след което наклонете косачката на дясната ѝ страна. Отработеното масло ще изтече през гърловината за пълнене. Оставете маслото да се източи напълно.

• Моля, изхвърляйте използваното моторно масло и контейнерите по начин, който е съвместим с околната среда. Препоръчваме ви да го занесете в запечатан контейнер в местния център за рециклиране или бензиностанция за възстановяване. Не го изхвърляйте в боклука, не го изливайте на земята и не го изливайте в канализацията.

• Напълнете с препоръчаното масло. Не преливайте. Оставете няколко минути маслото да се утаи в двигателя, след което измерете нивото на маслото.

\* Някои модели са оборудвани с болт за източване на маслото; Разтегнете и извадете болта за източване на маслото и оставете маслото да изтече в контейнера. Уверете се, че стегнахте добре болта за източване и добавете уплътнителната шайба (ако е включена в комплекта, преди да добавите масло).

### Обслужване на въздушния филтър (Снимка T)

**Известие:** Работата на двигателя без въздухоочистител или с повреден въздухоочистител ще позволи навлизане на мръсотия в двигателя, което ще доведе до бързото му износване.

- Натиснете бутоните на капака и го свалете.
- Извадете филтъра от основата на въздухопречиствателя.
- Проверете филтъра и пенообразуващия елемент и ги сменете, ако са повредени.
- Почистете филтъра, като го почукате няколко пъти върху твърда повърхност, за да отстраните замърсяванията, или издухайте сгъстен въздух през въздушния филтър отвътре. Никога не се опитвайте да отстранявате мръсотията с четка; четкането ще забие мръсотията във влакната.
- Избършете мръсотията от вътрешната страна на основата и капака на въздухоочистителя с помощта на влажен парцал. Внимавайте мръсотията да не попадне във въздуховода, който води към карбуратора.
- Монтирайте отново филтъра и капака.

### Обслужване на запалителните свещи (Снимка U - U1 - U2)

За да работи добре, запалителната свещ трябва да е правилно зацепена и без отлагания.

- Изключете капачката на запалителната свещ и отстранете всички замърсявания в областта на запалителната свещ.
- Свалете запалителната свещ с ключ за запалителни свещи.
- Проверете запалителната свещ. Заменете я, ако електродите са износени или ако изолаторът е напукан или счупен.
- Измерете разстоянието между електродите на запалителната свещ с помощта на подходящ манометър. Разстоянието трябва да бъде 0,028 ~ 0,031 инча (0,7 ~ 0,8 мм). Ако е необходимо, коригирайте разстоянието, като внимателно огъване на страничния електрод с помощта на подходящ инструмент.
- Монтирайте запалителната свещ внимателно, с ръка, за да избегнете кръстосано нарязване.
- Монтирайте капачката на запалителната свещ върху свещта.

**ЗАБЕЛЕЖКА:** Разхлабената запалителна свещ може да прегрее и да повреди двигателя. Прекаленото затягане на запалителната свещ може да повреди резбите в цилиндърната глава.

### Регулиране на кабела (снимка V)

Преди да използвате машината, винаги трябва да проверявате настройката на кабела.

Кабелите могат да бъдат проверени, като активирате дръжките напълно и проверите дали кабелът е затегнат. Ако не е, той трябва да се затегне. Ако дръжката не може лесно да се задейства напълно, кабелът трябва да се разхлаби.

След първия сезон трябва да се очаква, че кабелите ще трябва да се регулират за оптимално активиране, тъй като кабелите могат да се разтегнат при употреба.

Възможно е да се наложи да се регулират следните кабели:

1. Кабел за задвижване
2. Кабел за моторна спирачка
3. Кабел за въжето на дроселовата клапа

## График за поддръжка

ПЕРИОД НА РЕДОВНА СЛУЖБА(4)		Преди	Първи	На	На	Всяка	На
ЕЛЕМЕНТ		всяка	месец	на	на	година	на
Извършвайте на всеки посочен месец или интервал от работни часове, което от двете настъпи първо.		употреба	или 5 часа	всеки 3 месеца или 25 часа	всеки 6 месеца или 50 часа	или 100 часа	всеки две години или 250 часа
Двигателно масло	Проверете	0					
	Замяна на		0	0(2)			
Пречиствател на въздуха	Проверете		0				
	Замяна на			0			
Запалителна свещ	Проверка и настройка					0	
	Замяна на						0
Спирачка на маховика подложка (тип А)	Проверете					0	
Резервоар за гориво и филтър	Почистете			0			
Тръба за гориво	Проверете	На всеки 2 години (ако е необходимо, сменете)					
Клиренс на клапаните	Проверка и настройка						0
Изгаряне камера	Почистете	След всеки 200 часа					

## Отстраняване на неизправности

ДВИГАТЕЛЯТ НЕ СЕ СТАТИРА	Възможна причина	Корекция
1. Проверете горивото.	Няма гориво.	Зареждане с гориво
	Лошо гориво; двигател, съхраняван без обработка или източване на бензин, от зареден с лош бензин	Изпразнете резервоара за гориво и карбуратора. Заредете гориво с пресен бензин.
2. Извадете и проверете запалителната свещ.	Запалителната свещ е дефектна, замърсена или неправилно зацепена.	Сменете запалителната свещ.
	Запалителната свещ е мокра от гориво (наводнен двигател).	Подсушете и монтирайте отново запалителната свещ.
3. Отнесете двигателя в оторизиран наш сервизен дилър или се обърнете към ръководството за експлоатация.	Запушен горивен филтър, неизправност в карбуратора, неизправност в запалването, заклещени клапани и т.н.	Заменете или ремонтирайте дефектните компоненти, ако е необходимо.
4. Натиснете подкачваща помпа за гориво.	В студено състояние	Натиснете подкачваща помпа за гориво.

ДВИГАТЕЛЯТ НЕ РАЗПОЛАГА С МОЩНОСТ	Възможна причина	Корекция
1. Проверка на въздушния чистач	Елементите на въздушния филтър са запушени.	Почистете или сменете елементите на въздушния филтър
2. Проверка на горивото	Лошо гориво; двигател, съхраняван без обработка или източване на бензин, от зареден с лош бензин.	Изпразнете резервоара за гориво и карбуратора. Заредете гориво с пресен бензин.
3. Отнесете двигателя в оторизиран наш сервиз или се обърнете към ръководството за експлоатация.	Запушен горивен филтър, неизправност в карбуратора, неизправност в запалването, заклещени клапани и т.н.	Заменете или ремонтирайте дефектните компоненти, ако е необходимо.

## Технически данни

Модел:	PM4810	PM4820	PM4830	PM5310	PM5810
Работен обем:	145 куб. см	145 куб. см	145 куб. см	170 куб. см	196 куб. см
Тип на двигателя:	OHV Euro V	OHV Euro V	OHV Euro V	OHV Euro V	OHV Euro V
Ширина на рязане:	42 см	46 см	46 см	51 см	53 см
Регулиране на височината:	25-75 мм (6 настройки)	25-75 мм (6 настройки)	25-75 мм (6 настройки)	25-75 мм (6 настройки)	25-75 мм (6 настройки)
Капацитет на коша за трева:	45L	65L	65L	65L	65L
Размери на колелата:	150 мм (FR)/180 мм (R)	180 мм (FR) /230 мм (R)	180 мм (FR) /230 мм (R)	180 мм (FR) /230 мм (R)	200 мм (FR) /280 мм (R)
Тип:	Ръчно натискане	Ръчно натискане	Самоходна	Самоходна	Самоходна
Вид на моторното масло:	SAE 10w-30 или SAE20w50*	SAE 10w-30 или SAE 20w50*	SAE 10w-30 или SAE 20w50*	SAE 10w-30 или SAE 20w50*	SAE 10w-30 или SAE 20w50*
Препоръчително гориво:	Безоловен бензин 94 Октан или по-високо	Безоловен бензин 94 Октан или по-високо	Безоловен бензин 94 Октан или по-високо	Безоловен бензин 94 Октан или по-високо	Безоловен бензин 94 Октан или по-високо
Функции:	3 в 1	3 в 1	3 в 1	4 в 1	4 в 1

\* Изберете подходящия тип в зависимост от местната температура на околната среда.

**Внимание! От съображения за безопасност машината може да бъде доставена без моторно масло.  
Преди да стартирате машината, проверете нивото на маслото в двигателя и долейте необходимото количество масло.**

\* Производителят си запазва правото да прави незначителни промени в дизайна и техническите спецификации на продуктите без предварително уведомление, освен ако тези промени не засягат значително работата и безопасността на продуктите. Частите, описани/илюстрирани на страниците на ръководството, което държите в ръцете си, може да се отнасят и за други модели от продуктовата линия на производителя с подобни характеристики и може да не са включени в току-що придобития от вас продукт.

\* За да се гарантира безопасността и надеждността на продукта, както и валидността на гаранцията, всички дейности по ремонт, проверка, поправка или замяна, включително поддръжка и специални настройки, трябва да се извършват само от техници от оторизирания сервизен отдел на производителя.

\* Винаги използвайте продукта с доставеното оборудване. Работата на продукта с неосигурено оборудване може да доведе до неизправности или дори до сериозни наранявания или смърт. Производителят и вносителят не носят отговорност за наранявания и щети, възникнали в резултат на използването на несъответстващо на изискванията оборудване.

Zahvaljujemo se vam, da ste izbrali našo bencinsko kosilnico.

Da bi zagotovili najboljše rezultate svoje bencinske kosilnice, pred uporabo tega izdelka natančno preberite vsa ta varnostna navodila in navodila za uporabo.

## Varnostna navodila

Vaša varnost in varnost drugih je zelo pomembna. V tem priročniku in na kosilnici smo navedli pomembna varnostna sporočila. Te informacije vas opozarjajo na morebitne nevarnosti, ki bi lahko poškodovale vas ali druge. Prosimo, da ta sporočila skrbno preberete.

Seveda ni praktično ali mogoče opozoriti na vse nevarnosti, povezane z upravljanjem ali vzdrževanjem kosilnice. Uporabljati morate lastne dobra presoja.

- Pred uporabo stroja preberite navodila za uporabo.
- med delom druge ljudi držite na varni razdalji.
- Odstranite kabel vžigalne svečke z vžigalne svečke in pred kakršnim koli popravilom ali vzdrževanjem preberite navodila.
- Rezila v gibanju. Ne postavljajte rok ali nog v bližino ali pod odprtino rezalne plošče.
- Ne uporabljajte na hribih nad 22°
- Ne dotikajte se vrtečih se delov.
- Pred čiščenjem delovnega območja ustavite motor.
- Opozorilo: Vedno uporabljajte pravilno orodje in originalne nadomestne dele.
- Opozorilo: Ne dotikajte se rezila, rezilo je ostro.
- Pazite, da se mimoidoči, zlasti otroci, ne približujejo!

### Splošni pogoji uporabe

Ta stroj se uporablja izključno za košnjo naravne trave. Kosilnice nikoli ne uporabljajte v druge namene. Vsaka drugačna uporaba lahko pomeni nevarnost za vašo varnost in lahko povzroči poškodbe kosilnice.

Osebe, mlajše od 16 let, in osebe, ki niso seznanjene z navodili za uporabo, ne smejo uporabljati kosilnice.

Uporabnik je odgovoren za varnost drugih oseb na delovnem območju. Otroke in domače živali med uporabo kosilnice držite na varni razdalji. Pred košnjo odstranite s trate vse tujke, ki bi jih stroj lahko odvrigel, bodite pozorni na morebitne spregledane tujke.

- Preverite, ali so vse matice, vijaki in sorniki dobro zategnjeni.
- Pred košnjo postavite koš za travo na svoje mesto.
- Pred košnjo se prepričajte, da sta rezilo in vijak za pritrditev rezila dobro pritrjena. Če je treba rezalne robove ponovno nabrusiti, je treba to storiti enakomerno na obeh straneh, da se prepreči neravnovesje. Če je rezilo poškodovano, ga je treba zamenjati.
- Pri košnji vedno nosite dolge hlače in močno obutev.
- Ne poganjajte motorja v zaprtem in/ali slabo prezračevanem prostoru, kjer plini motorja vsebujejo ogljikov monoksid, ki je nevaren za vaše zdravje.
- Delajte le ob zadostni svetlobi.
- Kosilnice ne uporabljajte, ko dežuje ali ko je trava mokra.
- Posebno previdnost je treba upoštevati pri košnji na pobočjih ali v nižjih predelih. Kosite po pobočjih, nikoli navzdol ali navzgor.
- Če morate pustiti kosilnico brez nadzora, jo premakniti ali nagniti, izklopite motor.
- Med zagonom motorja nikoli ne dvigujte zadnjega dela kosilnice in nikoli ne polagajte rok in nog pod kosilnico ali v zadnji izmetni žleb, ko motor deluje.
- Nikoli ne spreminjajte nazivne hitrosti motorja.
- Pri samohodnih kosilnicah pred zagonom motorja odklopite samohodni sistem.
- Nikoli ne dvigujte ali prenašajte kosilnice, ko motor deluje.
- V teh primerih ustavite motor in odstranite pokrov vžigalne svečke:
  - Pred kakršnim koli delom pod tlorisom ali žlebom za odvajanje trave.
  - Pred vsakim vzdrževanjem, popravilom ali preverjanjem.
  - Pred prenašanjem, dvigovanjem ali odstranjevanjem kosilnice.
  - Če pustite kosilnico brez nadzora ali spremenite višino košnje.
  - Odstranjevanje in praznjenje koša za travo.
- Po trku s tujim predmetom ustavite motor in temeljito preverite kosilnico, da ugotovite, ali je poškodovana. Kosilnico odpeljite na dogovorjeno servisno postajo, da po potrebi opravite popravilo.

### Opozorilo! Po ustavitvi motorja se rezilo še nekaj sekund giblje.

- Če kosilnica nenavadno vibrira, poiščite razloge za to in kosilnico odpeljite na dogovorjeni servis.
- Redno preverjajte, ali so vijaki, matice in sorniki pravilno zategnjeni za varno uporabo kosilnice.

### Opozorilo! BENCIN JE ZELO VNETHLIV!

- Bencin hranite v kanistru, izdelanem posebej za ta namen.
- Z lijakom napolnite rezervoar in postopek opravite zunaj. Ne kadite. Ne uporabljajte mobilnega telefona.
- Pred zagonom motorja napolnite z bencinom in oljem. Nikoli ne odpirajte pokrovčka rezervoarja za gorivo, da bi dodali bencin, ko motor deluje ali je še vroč.
- Ne zaženite motorja, če je naokrog razpršenega nekaj bencina, umaknite kosilnico z mesta, kjer se je razpršil bencin, in se izogibajte stiku z vročim virom, dokler razpršeni bencin popolnoma ne izhlapi.
- Privijte pokrovček rezervoarja za gorivo in tesno zaprite pokrovček kanistra za gorivo.

## Varnostni simboli



Pred uporabo stroja preberite navodila za uporabo.



med delom druge ljudi držite na varni razdalji.



Odstranite kabel vžigalne svečke z vžigalne svečke in pred kakršnim koli popravilom ali vzdrževanjem preberite navodila.



Rezila v gibanju. Ne postavljajte rok ali nog v bližino ali pod odprtino rezalne plošče.



Ne uporabljajte na hribih nad 22°



Ne dotikajte se vrtečih se deli.



Ustavite motor, preden čistite delovnega območja.

## Montaža

### Razpakiranje

Kosilnico odstranite iz škatle in temeljito preverite, ali ni dodatnih ohlapnih delov.

### Nastavitev ročaja

Odprite ročaj in privijte dele ročajev s štirimi vijaki in gumbi. Na desni strani ročaja namestite zaganjalnik odboja in kabel pritrdite s plastično ovratnico. Vrv ročaja zaganjalnika navora namestite na njegovo podporno vodilno vrv.

### Nastavitev višine ročaja (sliki 2 in 2b)

Če želite prilagoditi višino ročaja, lahko izberete dve luknji "L" ali "H" v levem in desnem nosilcu za pritrditev ročaja z vijaki in gumbi. Odprtina "H" pomeni visok položaj ročaja, odprtina "L" pa nizek položaj ročaja.

### Nastavitev kabla zavore in sklopke (slika C)

Kabel zavore in sklopke vstavite v odprtino ustrezne ročice, glejte sliko. Puščica kaže, kje naj se kabel spelje skozi zanko.

### Nastavitev plošče (sliki D in D1)

Iz škatle vzemite ploščo in dva vijaka ali vijake v vrečki ter pritrdite ploščo z vijaki.

\* Opomba: Različni modeli imajo različne plošče. Vsi modeli nimajo srednje plošče.

### Sestava vrečke za travo (sliki E in F)

- Plastične robove vrečke pripnite na okvir in pritrdite sponke, kot je prikazano. Zbiralnik trave je opremljen s priročnim indikatorjem, ki kaže, ali je koš poln trave in ga je treba izprazniti.
- Dvignite zadnjo zaščito za izpust, odstranite vtič za mulčenje in namestite vrečko za travo.

### Vtič za mulčenje (slika G)

Vtič za mulčenje pomaga ukriviti notranjost kosilnice za učinkovitejše mulčenje. Vtič za mulčenje namestite in odstranite tako, da dvignete varovalo zadnjega izpusta, kot je prikazano na sliki. Vtič za mulčenje se prilega samo v eno smer. Če uporabljate vrečko za travo, odstranite vtič za mulčenje.

### Podpori varovala za zadnje praznjenje (slika H)

Iz škatle vzemite dva nosilca v vrečki in dvignite varovalo za zadnji izpust, namestite dva nosilca, ki lahko držita varovalo za zadnji izpust, in tako lahko učinkovitejše odstranite travo s krova.

### Sklop pokrova stranskega izpusta (slika I)

Dvignite bočno varovalo izpusta in namestite pokrov stranskega izpusta.

Samo mulčenje: odstranite pokrov stranskega praznjenja.

\* Opomba: Vsi modeli nimajo varovala za stranski izpust

## Pred začetkom delovanja

### Motorno olje (slika J)

Kosilnica je dobavljena brez olja v motorju.

Vsi motorji so pred pakiranjem zagnani v tovarni. Večina olja se pred odpremo odstrani, vendar nekaj olja ostane v motorju. Količina olja, ki ostane v motorju, je različna.

Dolijte toliko olja, da bo raven olja med zgornjo in spodnjo mejno oznako na merilni palici, kot je prikazano na sliki. Motorja ne napolnite z oljem preveč.

### Gorivo (slika K)

Obvestilo: Pred zagonom motorja napolnite 1,0 litra bencina.

- Odstranite pokrovček za polnjenje
- Gorivo dolijte do dna omejitve nivoja goriva v vratu rezervoarja za gorivo. Ne polnite preveč. Pred zagonom motorja obrišite razlito gorivo.
- Privijte pokrovček rezervoarja za gorivo

Bencin je izredno vnetljiv, bencinski hlapi pa lahko eksplodirajo in povzročijo hude telesne poškodbe ali smrt. Pri ravnanju z bencinom bodite zelo previdni. Ne približujte se dosegljivi otrokom.

Gorivo točite v dobro prezračenem prostoru z ugasnjenim motorjem. Na območju, kjer motor polnite z gorivom, ne kadite in ne dovolite, da bi se v prostoru, kjer se polni bencin, pojavili plameni ali iskre.

je shranjen. Izogibajte se večkratnemu ali daljšemu stiku s kožo ali vdihavanju hlapov.

Po točenju goriva dobro privijte pokrovček rezervoarja za gorivo. Če se je gorivo razlilo, se pred zagonom motorja prepričajte, da je območje suho.

### Polnjenje baterije (slika L)

Pred uporabo napolnite baterijo. Pred uporabo funkcije električnega zagona je treba baterijo polniti 5 ur. Vtič polnilnika vstavite v luknjo v bateriji in polnilnik priključite na električno omrežje.

\* Opomba: Vsi modeli nimajo funkcije električnega zagona.

### Nastavitev višine rezanja (slika M in M1)

Preverite nastavitve višine rezanja in jih po potrebi prilagodite.

Opozorilo! Rezilo lahko povzroči hude poškodbe. Pred nastavljanjem višine rezanja zaustavite motor.

## Navodila za uporabo

### Zagon motorja (slike N1-N7)

• Naprava za vbrizgavanje goriva (v nadaljevanju tudi "gumb za zagon", "primer")

V hladnem stanju je treba pred potegom ročice zaganjalnika pritisniti gumb za zagon na zračnem filtru.

Temperatura	Časi potiskanja
<0°C	3-4
0°C ~ 10°C	2-3
10°C ~ 20°C	1-2
>20°C	1

Za lažji zagon bi morali dodati tudi več goriva za mešanje zraka. Ko pritisnete gumb za zagon, bo gorivo iz uplinjača steklo neposredno v kurilno napravo.

\* Opomba: Vsi modeli nimajo tega PRIMER.

• Prestavite ročico dušilke v položaj "CHOKE" (niso opremljeni vsi modeli).

\* Opomba: Vsi modeli nimajo te ročice za dušilko.

• Potegnite nazaj zavorno ročico in jo držite ob ročaju.

• Sprostite ročico sklopke. To bo preprečilo, da bi se kosilnica premaknila naprej, ko pritisnete zaganjalnik.

\* Opomba: Vsi modeli nimajo te ročice sklopke.

• Če imajo modeli funkcijo električnega zagona, rahlo pritisnite gumb za zagon, motor se bo zagnal.

\* Opomba: Vsi modeli nimajo funkcije električnega zagona.

• Z desno roko primite ročico zaganjalnika v opornik in jo počasi povlecite tako daleč, da bo imela upor, nato pa z zagnosko vrvjo energično potegnite ročico zaganjalnika skozi opornik (če hladni zagon ni dovolj učinkovit, ponovite to operacijo 2 ali 3 krat).

• Takoj po zagonu potisnite ročico dušilke iz položaja "CHOKE" v položaj "RUN" (če je temperatura nizka, pustite motor delovati nekaj minut, preden začnete delati).

\* Opomba: Vsi modeli nimajo te ročice za dušilko.

### Upravljanje Krmilniki za košnjo (slike P1-P6)

Rezilo je v pogonu takoj, ko je motor zagnan. Med delovanjem stroja ohranajte varnostni ročaj v delovnem položaju. Motor se ustavi takoj, ko sprostite krmilno palico motorja.

Ko želite zapustiti kosilnico, sprostite vzvod za zaustavitev motorja.

### Ročica sklopke

Potisnite ročico sklopke naprej in jo držite ob ročaju, da se kosilnica požene naprej. Spustite ročico sklopke, da ustavite premikanje kosilnice naprej.

Pred zagonom motorja vedno sprostite ročico sklopke. Če je sklopka vključena, se bo kosilnica premikala naprej.

Ročico sklopke upravljajte s hitrim in popolnim gibanjem, tako da je sklopka popolnoma vklopljena ali popolnoma izklopljena. Držite ročico sklopke ob krmilu med samohodno košnjo. S tem boste podaljšali življenjsko dobo mehanizma sklopke.

### Ročica dušilne lopute

Za najboljšo kakovost košnje vedno kosite z ročico za plin v položaju "FAST". Ko se rezilo vrti pri nastavljeni hitri hitrosti, ustvarja močan ventilatorski učinek, ki učinkoviteje dviguje in kosi travo.

\* Opomba: Vsi modeli nimajo te ročice za plin.

**Spremenljiva hitrost Ročica**

Hitrost lahko med vožnjo prilagodite od 2,7 do 5,0 km/h. Vključite desno ročico na armaturni plošči in nastavite eno od 4 različnih hitrosti. Med vožnjo z eno od dveh najnižjih hitrosti se razlika v hitrosti ne bo bistveno spreminjala.

\* Opomba: Vsi modeli nimajo te ročice za plin.

**Ustavite motor**

Ročico za plin prestavite v položaj "SLOW" (počasi).

\* Opomba: Vsi modeli nimajo te ročice za plin.

- Sprostite ročico sklopke.
- Sprostite zavorno ročico.

Opozorilo! Rezilo se vrtilo še nekaj sekund po tem, ko se motor ustavi. Če bo kosilnica ostala brez nadzora, odklopite pokrovček vžigalne svečke.

**Vzdrževanje**

**POMEMBNO Redno in skrbno vzdrževanje je bistvenega pomena za ohranjanje nespremenjene ravni varnosti in prvotne zmogljivosti stroja.**

- Vse matice, vijaki in sorniki naj bodo zategnjeni, da bo oprema varno delovala. Redno vzdrževanje je bistvenega pomena za varnost in učinkovitost.
- Naprave z gorivom v rezervoarju nikoli ne shranjujte v stavbi, kjer bi hlapi lahko dosegli plamen, iskro ali vir ekstremne toplote.
- Pred shranjevanjem v zaprtem prostoru počakajte, da se motor ohladi.
- Da bi zmanjšali nevarnost požara, poskrbite, da na motorju, dušilniku izpušnih plinov, prostoru za akumulator in prostoru za shranjevanje goriva ne bo trave, listja ali pretirane maščobe. Posod s pokošeno travo ne puščajte v prostorih.
- Zaradi varnosti ne uporabljajte opreme z obrabljenimi ali poškodovanimi deli. Delov je treba zamenjati in ne popravljati. Uporabljajte originalne nadomestne dele (na rezilih mora biti vedno simbol). Deli, ki niso enake kakovosti, lahko poškodujejo opremo in so nevarni za vašo varnost.
- Če je treba izprazniti rezervoar za gorivo, to storite na prostem in pri hladnem motorju.
- Pri odstranjevanju in sestavljanju rezila nosite močne delovne rokavice.
- Po ostrenju preverite ravnost rezila.
- Pogosto preverjajte obrabo in poškodbe samozapiralnega varovala in koša za travo.
- Kadar koli je treba s strojem rokovati, ga prevažati ali nagibati, morate:
  - Nosite močne delovne rokavice;
  - Stroj primate v točkah, ki omogočajo varen oprijem, pri čemer upoštevajte težo in njeno porazdelitev.

**Rezilo****Inšpekcijski pregled**

- Kosilnico nagnite v desno, tako da je stran čistilca zraka obrnjena navzgor. Tako boste preprečili uhajanje goriva in otežen zagon.
  - Preverite, ali je rezilo poškodovano, razpokano in prekomerno zarjavelo ali korodirano.
  - Tupo rezilo lahko nabrusite, vendar je treba zamenjati preveč obrabljeno, upognjeno, razpokano ali kako drugače poškodovano rezilo.
  - Pri nameščanju rezila je treba vedno uporabiti momentni ključ.
- Preverite, ali so vijaki rezila zategnjeni.

**Odstranitev in namestitvev (slika Q)**

Če odstranite rezilo zaradi ostrenja ali zamenjave, boste za namestitev potrebovali momentni ključ. Za zaščito rok nosite močne rokavice.

- Vijak odstranite z vijaknim ključem. Pri odstranjevanju vijaka uporabite lesen blok, da preprečite vrtenje rezila. Nato odstranite rezilo.
- Rezilo namestite z vijakom za rezilo in posebnimi podložkami. Posebne podložke namestite tako, da je konkavna stran obrnjena proti rezilu, konveksna stran pa proti vijaku.
- Z momentnim ključem privijte vijak rezila. Pri zategovanju vijaka uporabite lesen blok, da preprečite vrtenje rezila.

**Čiščenje in zamenjava vrečke za travo (slika R)****Čiščenje**

Vrečko operite z vrtno cevjo in jo pred uporabo popolnoma posušite; mokra vrečka se hitro zamaši.

**Zamenjava**

- Odklopite plastične robove vrečke z okvirja in odstranite vrečko z zgornjega pokrova.
- V zgornji pokrov vstavite vrečko iz blaga in plastične robove vrečke pripnite na okvir.

**Vodna šoba (slika R2)**

- Na levi strani krova kosilnice je nameščena šoba za vodo za pranje krova.
- Pri uporabi vodne šobe mora biti stroj v najnižjem višinskem položaju in postavljen na trato. To zagotavlja, da voda ostane pod med čiščenjem.
- Na šobo priključite cev.
- Vključite vodo in zaženite motor.
- Z vrtenjem lopatic bo voda očistila spodnjo stran krova. Opomba: Vsi modeli nimajo šobe za vodo.



## Vzdrževanje motorja

### Preverite raven motornega olja (slika J)

Preverite nivo motornega olja pri ustavljenem motorju in kosilnici.

- Odstranite pokrovček rezervoarja za olje in očistite merilno palico.
- Merilno palico vstavite v vratce za polnjenje olja, vendar je ne privijte.
- Preverite raven olja, ki je prikazana na merilni palici. Če je blizu spodnje, olje napolnite do zgornje ravni. Ne polnite preveč.
- Tesno privijte pokrovček za polnjenje.

**Obvestilo:** Pri delovanju motorja z nizkim nivojem olja lahko pride do poškodb motorja.

### Zamenjajte motorno olje

- Ko je motor topel, izpraznite izrabljeno olje. Toplo olje se izčrpa hitro in popolnoma.
  - Obrišite prostor za polnjenje olja in odstranite pokrovček za polnjenje olja.
  - Ob kosilnico postavite ustrezno posodo, v katero se bo steklo izrabljeno olje, nato pa kosilnico nagnite na desno stran. Izrabljeno olje bo odteklo skozi polnilno grlo. Pustite, da se olje popolnoma izprazni.
  - Izrabljeno motorno olje in posode odvrzite na okolju prijazen način. Predlagamo, da ga v zaprti posodi odnesete v lokalni center za recikliranje ali na bencinski servis za predelavo. Ne vrzite ga v smeti, ne izlijte ga na tla ali ga zlijte v odtok.
  - Napolnite ga s priporočenim oljem. Ne polnite preveč. Počakajte nekaj minut, da se olje v motorju umiri, nato izmerite raven olja.
- \* Nekateri modeli so opremljeni z vijakom za izpust olja; odvijte in odstranite vijak za izpust olja ter pustite, da olje izteče v posodo. Pred dodajanjem olja poskrbite, da bo izpustni vijak dobro zategnjen, in dodajte tesnilno podložko (če je priložena).

### Servis čistilnika zraka (slika T)

Obvestilo: Pri delovanju motorja brez zračnega čistilca ali s poškodovanim zračnim čistilcem lahko v motor vstopa umazanija, kar povzroči hitro obrabo motorja.

- Pritisnite na jezička na pokrovu in odstranite pokrov.
- Odstranite filter s podstavka čistilnika zraka.
- Preglejte filter in penasti element ter ga zamenjajte, če je poškodovan.
- Filter očistite tako, da z njim večkrat udarite po trdi površini, da odstranite umazanijo, ali pa skozi zračni filter od znotraj izpihajte stisnjen zrak. Nikoli ne poskušajte odstraniti umazanije s krtačo; krtačenje bo umazanijo potisnilo v vlakna.
- Z vlažno krpo obrišite umazanijo z notranje strani podstavka in pokrova čistilnika zraka. Pazite, da v zračni kanal, ki vodi do uplinjača, ne pride umazanija.
- Ponovno namestite filter in pokrov.

### Servis vžigalnih svečk (Slika U - U1 - U2)

Za dobro delovanje mora biti vžigalna svečka pravilno vpeta in brez oblog.

- Odklopite pokrovček vžigalne svečke in odstranite morebitno umazanijo z območja vžigalne svečke.
- Vžigalno svečko odstranite s ključem za vžigalno svečko.
- Preglejte vžigalno svečko. Zamenjajte jo, če so elektrode obrabljene ali če je izolator razpokan ali odlomljen.
- Z ustreznim merilnikom izmerite vrzel med elektrodami vžigalne svečke. Vrzel mora biti 0,028 ~ 0,031 in (0,7 ~ 0,8 mm). Če je potrebno, popravite vrzel tako, da skrbno upogibanje stranske elektrode z ustreznim orodjem.
- Vžigalno svečko namestite previdno, z roko, da preprečite navzkrižno zarezovanje.
- Na vžigalno svečko namestite pokrovček vžigalne svečke.

**OPOZORILO:** Ohlapna vžigalna sveča se lahko pregreje in poškoduje motor. Pretirano zategovanje vžigalne svečke lahko poškoduje navoje v glavi valja.

### Nastavitev kabla (slika V)

Pred uporabo stroja je treba vedno preveriti nastavitev kabla.

Kable lahko preverite tako, da ročaje popolnoma aktivirate in preverite, ali je kabel napet. Če ni, ga je treba zategniti. Če ročice ni mogoče zlahka popolnoma aktivirati, je treba kabel zrahljati.

Po prvi sezoni je treba pričakovati, da bo treba kable prilagoditi za optimalno aktiviranje, saj se lahko kabli med uporabo raztegnejo.

Morda bo treba ponovno nastaviti naslednje kable:

1. Kabel za pogon
2. Kabel za motorno zavoro
3. Kabel za kabel dušilne lopute

## Urnik vzdrževanja

OBDOBJE REDNEGA SLUŽBOVANJA(4)		Pred	Prvi	Vsakah	Vsakah	Vsaki	Vsaki
ELEMENT		vsako	meseč	3	6	o leto	dve leti
Izvedite ga vsak navedeni mesec ali v intervalu delovnih ur, kar nastopi prej.		uporabo	ali 5 ur	mesece ali 25 ur	mesece ali 50 ur	ali 100 ur	ali 250 ur
Motorno olje	Preverite	O					
	Zamenjava		O	O(2)			
Čistilec zraka	Preverite		O				
	Zamenjava			O			
Vžigalna svečka	Preverjanje in prilagajanje					O	
	Zamenjava						O
Zavora vztrajnika blazinica (tipi A)	Preverite					O	
Rezervoar za gorivo in filter	Čisto			O			
Cev za gorivo	Preverite	Vsaki 2 leti (po potrebi zamenjajte)					
Ventilna zračnost	Preverjanje in prilagajanje						O
Zgorevanje komora	Čisto	Po vsakih 200 urah					

## Odpravljanje težav

MOTOR SE NE ZAŽENE	Možen vzrok	Popravek
1. Preverite količino goriva.	Ni goriva.	Napolnite z gorivom
	Slabo gorivo; motor, shranjen brez obdelave ali praznjenja bencina, od napolnjeni s slabim bencinom.	Izpraznite rezervoar za gorivo in uplinjač. Natočite sveže bencinsko gorivo.
2. Odstranite in pregledajte vžigalno svečko.	Vžigalna svečka je okvarjena, zamaščena ali nepravilno vpeta.	Zamenjajte vžigalno svečko.
	Vžigalna svečka je mokra od goriva (poplavljen motor).	Osušite in ponovno namestite vžigalno svečko.
3. Odnosite motor k pooblaščenemu serviserju ali si oglejte priročnik.	Zamašen filter za gorivo, okvara uplinjača, okvara vžiga, zataknjeni ventili itd.	Po potrebi zamenjajte ali popravite okvarjene sestavne dele.
4. Pritisnite tipko za prvo stopnjo	V hladnem stanju	Pritisnite gumb prime.

MOTORJU PRIMANJKUJE MOČI	Možen vzrok	Popravek
1. Preverite zračni čistilec	Zamašeni elementi čistilnika zraka.	Očistite ali zamenjajte elemente čistilca zraka
2. Preverite gorivo	Slabo gorivo; motor, shranjen brez obdelave ali praznjenja bencina, od napolnjen s slabim bencinom.	Izpraznite rezervoar za gorivo in uplinjač. Natočite sveže bencinsko gorivo.
3. Odnosite motor k pooblaščenemu serviserju ali si oglejte priročnik za popravila.	Zamašen filter za gorivo, okvara uplinjača, okvara vžiga, zataknjeni ventili itd.	Po potrebi zamenjajte ali popravite okvarjene sestavne dele.

## Tehnični podatki

Model:	PM4810	PM4820	PM4830	PM5310	PM5810
Delovna prostornina:	145 ccm	145 ccm	145 ccm	170 ccm	196 ccm
Vrsta motorja:	OHV Euro V	OHV Euro V	OHV Euro V	OHV Euro V	OHV Euro V
Širina rezanja:	42 cm	46 cm	46 cm	51 cm	53 cm
Nastavitev višine:	25-75 mm (6 nastavitev)	25-75 mm (6 nastavitev)	25-75 mm (6 nastavitev)	25-75 mm (6 nastavitev)	25-75 mm (6 nastavitev)
Zmogljivost lovilca trave:	45L	65L	65L	65L	65L
Dimenzije koles:	150 mm (FR) / 180 mm (R)	180 mm (FR)/230 mm (R)	180 mm (FR)/230 mm (R)	180 mm (FR)/230 mm (R)	200 mm (FR)/280 mm (R)
Vrsta:	Potiskanje z roko	Potiskanje z roko	Samopogonski	Samopogonski	Samopogonski
Vrsta motornega olja:	SAE 10w-30 ali SAE20w50*	SAE 10w-30 ali SAE 20w50*	SAE 10w-30 ali SAE 20w50*	SAE 10w-30 ali SAE 20w50*	SAE 10w-30 ali SAE 20w50*
Priporočeno gorivo:	Neosvinčeni bencin 94 Oktan ali več	Neosvinčeni bencin 94 Oktan ali več	Neosvinčeni bencin 94 Oktan ali več	Neosvinčeni bencin 94 Oktan ali več	Neosvinčeni bencin 94 Oktan ali več
Funkcije:	3 v 1	3 v 1	3 v 1	4 v 1	4 v 1

\* Izberite ustrezno vrsto glede na temperaturo lokalnega okolja.

**Pozor! Iz varnostnih razlogov je stroj lahko dobavljen brez motornega olja. Pred zagonom stroja preverite raven motornega olja in dolijte ustrezno količino olja.**

\* Proizvajalec si pridržuje pravico do manjših sprememb zasnove in tehničnih specifikacij izdelka brez predhodnega obvestila, razen če te spremembe bistveno vplivajo na delovanje in varnost izdelkov. Deli, opisani/prikazani na straneh priložnice, ki ga držite v rokah, se lahko nanašajo tudi na druge modele proizvajalčeve linije izdelkov s podobnimi lastnostmi in morda niso vključeni v izdelek, ki ste ga pravkar pridobili.

\* Da bi zagotovili varnost in zanesljivost izdelka ter veljavnost garancije, lahko vsa popravila, preglede, popravila ali zamenjave, vključno z vzdrževanjem in posebnimi nastavitvami, opravljajo le tehniki pooblaščenega servisnega oddelka proizvajalca.

\* Izdelek vedno uporabljajte s priloženo opremo. Uporaba izdelka z opremo, ki ni priložena, lahko povzroči motnje v delovanju ali celo hude telesne poškodbe ali smrt. Proizvajalec in uvoznik nista odgovorna za poškodbe in škodo, ki so posledica uporabe neustrezne opreme.

Vă mulțumim că ați ales mașina noastră de tuns iarba pe benzină.

Pentru a vă asigura că obțineți cele mai bune rezultate de la mașina dumneavoastră de tuns iarba pe benzină, vă rugăm să citiți cu atenție toate aceste instrucțiuni de siguranță și de utilizare înainte de a utiliza acest produs.

## Instrucțiuni de siguranță

Siguranța dumneavoastră și a celorlalți este foarte importantă. Am furnizat mesaje de siguranță importante în acest manual și pe motocositoare. Aceste informații vă atenționează asupra pericolelor potențiale care v-ar putea răni pe dumneavoastră sau pe alții. Vă rugăm să citiți cu atenție aceste mesaje. Desigur, nu este practic sau posibil să vă avertizăm cu privire la toate pericolele asociate cu utilizarea sau întreținerea unei mașini de tuns iarba. Trebuie să vă folosiți propriile bună judecată.

- Citiți manualul de instrucțiuni înainte de a utiliza aparatul.
- Păstrați alte persoane la o distanță de siguranță în timpul lucrului
- Scoateți cablul bujiei de la bujie și citiți instrucțiunile înainte de a efectua orice reparație sau întreținere.
- Lamele în mișcare. Nu puneți mâinile sau picioarele în apropierea sau sub deschiderea plăcii de tăiere.
- Nu se utilizează pe dealuri de peste 22°.
- Nu atingeți piesele rotative.
- Oprți motorul înainte de a curăța zona de lucru.
- Avertisment: Folosiți întotdeauna unelte corecte și piese de schimb originale.
- Avertisment: Lama este ascuțită, nu o atingeți.
- Țineți la distanță trecătorii, în special copiii!

### Condiții generale de utilizare

Acest utilaj trebuie utilizat exclusiv pentru tăierea ierbii naturale. Nu folosiți niciodată mașina de tuns iarba în alte scopuri. Orice altă utilizare poate pune în pericol siguranța dumneavoastră și poate deteriora mașina de tuns iarba.

Persoanele cu vârsta sub 16 ani și persoanele care nu cunosc instrucțiunile de utilizare nu trebuie să utilizeze mașina de tuns iarba.

Utilizatorul este responsabil de siguranța altor persoane aflate în zona de lucru. Țineți copiii și animalele domestice la o distanță sigură în timp ce mașina de tuns iarba este în funcțiune. Înainte de a tunde, îndepărtați toate obiectele străine de pe gazon care pot fi aruncate de mașină, rămâneți în alertă pentru orice obiect străin care ar fi putut fi omis.

- Verificați dacă toate piulițele, bolțurile și șuruburile sunt bine strânse.
- Înainte de cosit, așezați dispozitivul de colectare a ierbii în poziția sa.
- Înainte de a tunde, asigurați-vă că lama și șurubul de fixare a lamei sunt bine fixate. Atunci când marginile tăietoare trebuie ascuțite din nou, acest lucru trebuie să se facă în mod egal pe ambele părți, pentru a preveni orice dezechilibru. În cazul în care lama este deteriorată, aceasta trebuie înlocuită.
- Când tundeți, purtați întotdeauna pantaloni lungi și încălțăminte rezistentă.
- Nu porniți motorul într-o zonă închisă și/sau slab ventilată, unde gazele motorului conțin monoxid de carbon, care sunt periculoase pentru dumneavoastră sănătate.
- Lucrați numai atunci când există suficientă lumină.
- Nu folosiți mașina de tuns iarba când plouă sau când iarba este umedă.
- Trebuie luate măsuri de precauție deosebite la cositul pe pante sau pe porțiuni de coborâre. Tăiați în lungul pantelor, niciodată în jos sau în sus.
- Oprți motorul dacă trebuie să lăsați mașina de tuns iarba nesupravegheată, să o deplasați sau să o înclinați.
- Nu ridicați niciodată partea din spate a mașinii de tuns iarba în timp ce porniți motorul și nu vă puneți niciodată mâinile și picioarele sub platforma de tuns iarba sau în jghebul de descărcare spate în timp ce
- Nu modificați niciodată în niciun fel turația nominală a motorului.
- La motocositoarele autopropulsate, deconectați sistemul autopropulsat înainte de a porni motorul.
- Nu ridicați sau transportați niciodată mașina de tuns iarba în timp ce motorul este în funcțiune.
- În aceste cazuri, oprți motorul și scoateți capacul bujiei de aprindere:
- Înainte de orice operațiune sub platformă sau sub jghebul de descărcare spate a ierbii.
- Înainte de orice operațiune de întreținere, reparație sau verificare.
- Înainte de a transporta, ridica sau scoate mașina de tuns iarba.
- Dacă lăsați mașina de tuns iarba nesupravegheată sau dacă schimbați înălțimea de tăiere.
- Pentru a scoate și goli recipientul de colectare a ierbii.
- După ce ați lovit un obiect străin, oprți motorul și verificați temeinic mașina de tuns iarba pentru a vedea dacă este deteriorată. Aduceți mașina de tuns iarba într-o stație de service agreată pentru a efectua reparațiile, dacă este necesar.

### Atenție! După ce ați oprit motorul, lama este încă în mișcare timp de câteva secunde.

- Dacă mașina de tuns iarba vibrează în mod anormal, căutați motivele și duceți-o la o stație de service agreată.
- Verificați în mod regulat dacă șuruburile, piulițele și șuruburile sunt strânse în mod secular pentru o utilizare sigură a motocositoarei.

### Atenție! BENZINA ESTE FOARTE INFLAMABILĂ!

- Păstrați benzina într-un bidon special conceput în acest scop.
- Umpleți rezervorul cu o pâlnie, faceți operațiunea afară. Nu fumați. Nu folosiți telefonul mobil.
- Faceți plinul de benzină și ulei înainte de a porni motorul. Nu deschideți niciodată capacul rezervorului de combustibil pentru a adăuga benzină în timp ce motorul este în funcțiune sau încă fierbinte.
- Nu porniți motorul dacă există benzină împrăștiată în jur, îndepărtați mașina de tuns iarba de cea în care s-a împrăștiat benzina și evitați orice contact cu o sursă de căldură atât timp cât benzina împrăștiată s-a evaporat complet.
- Strângeți bine capacul rezervorului de combustibil și închideți bine capacul bidonului.

## Simboluri de siguranță



Citiți manualul de instrucțiuni înainte de a utiliza aparatul.



Păstrați alte persoane la o distanță de siguranță în timpul lucrului.



Scoateți cablul bujiei de la bujie și citiți instrucțiunile înainte de a efectua orice reparație sau întreținere.



Lamele în mișcare. Nu puneți mâinile sau picioarele în apropierea sau sub deschiderea plăcii de tăiere.



Nu se utilizează pe dealuri de peste 22°.



Nu atingeți piesele rotative.



Oprțiți motorul înainte de curățarea zonei de lucru.

## Ansamblu

### Despachetarea

Scoateți mașina de tuns iarba din cutie și verificați cu atenție dacă există alte piese libere.

### Configurarea mânerului

Desfaceți mânerul și înșurubați părțile mânerului cu cele patru șuruburi și butoane. Așezați demarorul cu recul în partea dreaptă a mânerului și fixați cablul cu ajutorul colierului de plastic. Introduceți cablul mânerului demarorului cu recul pe cablul de ghidare al acestuia.

### Reglarea înălțimii ghidonului (Imaginile 2 și 2b)

Dacă doriți să reglați înălțimea ghidonului, puteți alege "L" sau "H" două găuri în suportul stânga-dreapta pentru a fixa ghidonul cu șuruburi și butoane. Gaura "H" reprezintă poziția înaltă a ghidonului, iar gaura "L" reprezintă poziția joasă a ghidonului.

### Configurarea cablurilor de frână și ambreiaj (imaginea C)

Introduceți cablul de frână și cablul de ambreiaj în orificiul manetei corespunzătoare, a se vedea ilustrația. Săgeata indică locul prin care trebuie să treacă cablul.

### Configurarea panoului (imaginile D și D1)

Scoateți din cutie panoul și două șuruburi sau șuruburi într-o pungă și fixați panoul cu șuruburi.

\* Notă: diferite modele au panouri diferite. Nu toate modelele au panoul din mijloc.

### Ansamblul sacului pentru iarbă (Imaginile E și F)

- Prindeți marginile de plastic ale pungii pe cadru și fixați clemele așa cum se arată.
- Colectorul de iarbă este prevăzut cu un indicator practic care arată dacă cutia este plină de iarbă și trebuie golită.
- Ridicați apărătoarea de descărcare din spate, scoateți fișa de mulcire și instalați sacul de iarbă.

### Dop de mulcire (imaginea G)

Dopul de mulcire ajută la curbarea interiorului tăvălugului motocosoarei pentru o mulcire mai eficientă. Instalați și scoateți fișa de mulcire ridicând apărătoarea de descărcare din spate, așa cum se arată în figură. Dopul de mulcire se potrivește doar într-un singur sens. Scoateți fișa de mulcire atunci când folosiți un sac de iarbă.

### Pivoți de protecție a găzii de descărcare spate (imaginea H)

Scoateți din cutie doi suportți într-o pungă și ridicați garda de descărcare din spate, instalați cei doi suportți care pot susține garda de descărcare din spate, iar acest lucru poate face ca iarba să iasă mai eficient din platformă.

### Ansamblul capacului de descărcare laterală (imaginea I)

Ridicați apărătoarea laterală de evacuare, instalați capacul de evacuare laterală.

Numai pentru mulcire: îndepărtați capacul de evacuare laterală.

\* Notă: Nu toate modelele au protecție laterală de descărcare.

## Înainte de operare

### Ulei de motor (Imaginea J)

Mașina de tuns iarba este livrată fără ulei în motor.

Toate motoarele sunt rulate în fabrică înainte de ambalare. Cea mai mare parte a uleiului este îndepărtată înainte de expediere; cu toate acestea, o parte din ulei rămâne în motor. Cantitatea de ulei rămasă în motor variază.

Adăugați suficient ulei pentru a aduce nivelul de ulei între marcajele limită superioară și inferioară de pe jojă, așa cum se arată. Nu umpleți excesiv motorul cu ulei.

### Combustibil (Imagine K)

Aviz: Motorul este livrat fără benzină, alimentați cu 1,0 litru de benzină înainte de a porni motorul.

- Îndepărtați capacul de umplere
- Adăugați combustibil până la limita inferioară a nivelului de combustibil din gâtul rezervorului de combustibil. Nu umpleți în exces. Ștergeți combustibilul vărsat înainte de a porni motorul.

- Strângeți capacul rezervorului de combustibil

Benzina este extrem de inflamabilă, iar vaporii de benzină pot exploda, provocând răni grave sau chiar moartea. Fiți extrem de atent atunci când manipulați benzina. Păstrați-o departe de la îndemâna copiilor.

Alimentați într-o zonă bine ventilată, cu motorul oprit. Nu fumați și nu lăsați să apară flăcări sau scântei în zona în care se realimentează motorul sau în care benzina este stocat. A se evita contactul repetat sau prelungit cu pielea sau inhalarea vaporilor.

După realimentare, strângeți bine capacul rezervorului de combustibil. Dacă s-a vărsat combustibil, asigurați-vă că zona este uscată înainte de a porni motorul.

### Încărcarea bateriei (Imaginea L)

Încărcați bateria înainte de utilizare înainte de a utiliza funcția de pornire electrică, bateria trebuie încărcată timp de 5 ore. Introduceți fișa încărcătorului în orificiul din baterie și conectați încărcătorul la o sursă de alimentare.

\* Notă: Nu toate modelele au funcția de pornire electrică.

### Reglarea înălțimii de tăiere (Imaginea M și M1)

Verificați setările înălțimii de tăiere și efectuați toate ajustările necesare.

Atenție! Lama poate provoca răni grave. Opriti motorul înainte de a regla înălțimea de tăiere.

## Instrucțiuni de utilizare

### Pornirea motorului (Imaginea N1-N7)

- Pompa amorsare (denumit în continuare, de asemenea, "buton de amorsare", "primer")

În condiții de frig, este necesar să apăsați butonul de amorsare de pe filtrul de aer înainte de a trage mânerul de pornire.

Temperatura	Timpii de împingere
<0°C	3-4
0°C ~ 10°C	2-3
10°C ~ 20°C	1-2
>20°C	1

De asemenea, ar trebui să punem mai mult combustibil pentru a amesteca aerul pentru o pornire ușoară. Atunci când apăsați butonul de amorsare, acesta va pompa combustibilul direct din carburator în camera de ardere.

\* Notă: Nu toate modelele au acest PRIMER.

- Mutați maneta de starter în poziția "CHOKE" (nu este echipată pe toate modelele).

\* Notă: Nu toate modelele au această pârghie de strangulare.

- Trageți înapoi de maneta de frână și țineți-o pe mâner.

- Eliberați maneta de ambreiaj. Acest lucru va împiedica mașina de tuns iarba să se deplaseze înainte atunci când acționați demarorul.

\* Notă: Nu toate modelele au această manetă de ambreiaj.

- Dacă modelele au funcția de pornire electrică, vă rugăm să apăsați ușor butonul de pornire electrică, iar motorul va fi pornit.

\* Notă: Nu toate modelele au funcția de pornire electrică.

- Cu mânerul starterului în suportul său, luați mânerul starterului cu mâna dreaptă și trageți încet până la a avea o rezistență, apoi trageți energic de mânerul starterului cu frânghia starterului prin suport (Dacă pornirea la rece nu este suficient de suficientă, repetați această operațiune de 2 sau 3 ori).

- Imediat după pornire, împingeți înapoi maneta de starter din poziția "CHOKE" în poziția "RUN" (Dacă temperatura este scăzută, lăsați motorul să funcționeze câteva minute înainte de a începe să lucrați).

\* Notă: Nu toate modelele au această pârghie de strangulare.

### Operare Comenzile pentru cosit (Imaginea P1-P6)

Lama intră în acțiune imediat ce motorul este pornit. În timpul funcționării mașinii, mențineți mânerul de siguranță în poziția de lucru. Motorul se oprește de îndată ce eliberați bara de comandă a motorului.

Eliberați maneta pentru a opri motorul ori de câte ori trebuie să părăsiți mașina de tuns iarba.

### Pârghie de ambreiaj

Împingeți maneta de ambreiaj înainte și țineți-o pe ghidon pentru a propulsa motocositoarea înainte.

Eliberați maneta de ambreiaj pentru a opri mișcarea de înaintare a motocositoarei.

Eliberați întotdeauna maneta ambreiajului înainte de a porni motorul. Dacă ambreiajul este cuplat, mașina de tuns iarba se va deplasa înainte.

Acționați maneta de ambreiaj cu o mișcare rapidă și completă, astfel încât ambreiajul să fie fie complet cuplat sau complet eliberat. Țineți maneta de ambreiaj pe ghidon în timpul cositului autopropulsat. Acest lucru va contribui la prelungirea duratei de viață a mecanismului de ambreiaj.

### Pârghie de accelerație

Pentru cea mai bună calitate a tăierii, tundeți întotdeauna cu maneta de accelerație în poziția "FAST". Atunci când lama se rotește la viteză rapidă presetată, aceasta creează o acțiune puternică a ventilatorului care ridică și taie iarba mai eficient.

\* Notă: Nu toate modelele au această manetă de accelerație.

**Pârghie de viteză variabilă**

Viteza poate fi reglată de la 2,7 - 5,0 km/h în timpul deplasării. Activați mânerul din dreapta de pe tabloul de bord și setați în una dintre cele 4 viteze diferite. Atunci când conduceți într-una dintre cele două viteze cele mai mici, diferența de ritm nu va varia semnificativ.

\* Notă: Nu toate modelele au această manetă de accelerație.

**Opriti motorul**

Mutați maneta de accelerație în poziția "SLOW".

\* Notă: Nu toate modelele au această manetă de accelerație.

- Eliberați maneta de ambreiaj.
- Eliberați maneta de frână.

Atenție! Lama va continua să se rotească timp de câteva secunde după ce motorul s-a oprit. Deconectați capacul bujiei dacă mașina de tuns iarba va fi lăsată nesupravegheată.

**Întreținere**

**IMPORTANT** Întreținerea regulată și atentă este esențială pentru a menține neschimbate în timp nivelul de siguranță și performanțele originale ale mașinii.

- Țineți toate piulițele, șuruburile și șuruburile strânse pentru a vă asigura că echipamentul este în stare de funcționare sigură. Întreținerea regulată este esențială pentru siguranță și performanță.
- Nu depozitați niciodată echipamentul cu combustibilul în rezervor în interiorul unei clădiri în care vaporii pot ajunge la o flacără, la o scânteie sau la o sursă de căldură extremă.
- Lăsați motorul să se răcească înainte de a-l depozita într-un spațiu închis.
- Pentru a reduce pericolul de incendiu, păstrați motorul, amortizorul de evacuare, compartimentul bateriei și zona de depozitare a combustibilului libere de iarbă, frunze sau grăsimi excesivă. Nu lăsați recipiente cu iarbă tăiată în încăperi.
- Din motive de siguranță, nu utilizați echipamentul cu piese uzate sau deteriorate. Piesele trebuie înlocuite și nu reparate. Folosiți piese de schimb originale (lamele trebuie să poarte întotdeauna simbolul). Piesele care nu sunt de aceeași calitate pot deteriora echipamentul și pot fi periculoase pentru siguranța dumneavoastră.
- În cazul în care este necesară golirea rezervorului de combustibil, aceasta trebuie făcută în aer liber și când motorul este rece.
- Purtați mănuși de lucru rezistente atunci când demontați și reasamblați lama.
- Verificați echilibrul lamei după ascuțire.
- Verificați frecvent dacă garda cu închidere automată și dispozitivul de colectare a ierbii sunt uzate sau deteriorate.
- Ori de câte ori mașina trebuie manipulată, transportată sau înclinată, trebuie:
  - Purtați mănuși de lucru puternice;
  - Prindeți mașina în punctele care oferă o prindere sigură, ținând cont de greutate și de distribuția acesteia.

**Lama****Inspecție**

- Înclinați mașina de tuns iarba spre dreapta, astfel încât partea cu filtrul de aer să fie în sus. Acest lucru va ajuta la prevenirea scurgerilor de combustibil și a pornirii dificile.
- Inspectați lama pentru a vedea dacă este deteriorată, fisurată, ruginită sau corodată excesiv.
- O lamă plictisitoare poate fi ascuțită, dar o lamă excesiv de uzată, îndoită, crăpată sau deteriorată în alt mod trebuie înlocuită.
- La instalarea lamei trebuie să se utilizeze întotdeauna o cheie dinamometrică. Verificați dacă șuruburile lamei sunt strânse.

**Demontare și instalare (Imaginea Q)**

Dacă scoateți lama pentru ascuțire sau înlocuire, veți avea nevoie de o cheie dinamometrică pentru instalare. Purtați mănuși groase pentru a vă proteja mâinile.

- Îndepărtați șurubul cu o cheie tubulară. Folosiți un bloc de lemn pentru a împiedica lama să se rotească atunci când scoateți șurubul. Apoi scoateți lama.
- Instalați lama cu ajutorul șurubului pentru lamă și a șablonului special. Asigurați-vă că instalați șablonul special cu partea concavă spre lamă și partea convexă spre șurub.
- Strângeți șurubul lamei cu o cheie dinamometrică. Folosiți un bloc de lemn pentru a împiedica lama să se rotească atunci când strângeți șurubul.

**Curățarea și înlocuirea sacului de iarbă (Imagine R)****Curățare**

Spălați sacul cu un furtun de grădină și lăsați-l să se usuce complet înainte de a-l folosi; un sac umed se va bloca rapid.

**Înlocuire**

- Desprindeți marginile din plastic ale sacului de cadru, scoateți sacul din capacul superior.
- Introduceți pungă de țesătură în capacul superior, fixați marginile de plastic ale pungii pe cadru.

**Duză de apă (Imagine R2)**

- Partea stângă a platformei de cosit este prevăzută cu o duză de apă pentru spălarea platformei.
- Atunci când utilizați duza de apă, mașina trebuie să fie în poziția de înălțime cea mai joasă și așezată pe gazon. Acest lucru asigură faptul că apa rămâne sub punte în timpul curățării.
- Atașați un furtun la duză.
- Deschideți apa și porniți motorul.
- Rotațiile lamei vor asigura că apa va curăța partea inferioară a punții. Notă: Nu toate modelele au duză de apă.

## Întreținerea motorului

### Verificați nivelul uleiului de motor (imaginea J)

Verificați nivelul uleiului de motor cu motorul oprit și cu motocoșitoarea oprită.

- Îndepărtați capacul de umplere a uleiului și curățați jojă de ulei.
- Introduceți jojă de ulei în gâtul de umplere cu ulei, dar nu o înșurubați.
- Verificați nivelul de ulei indicat pe jojă. Dacă este aproape de cel inferior, umpleți cu ulei până la nivelul superior. Nu umpleți în exces.
- Înșurubați bine capacul de umplere.

**Aviz: Dacă motorul funcționează cu un nivel scăzut de ulei, acesta se va deteriora.**

### Schimbarea uleiului de motor

- Scurgeți uleiul uzat în timp ce motorul este cald. Uleiul cald se scurge rapid și complet.
  - Curățați zona de umplere cu ulei, apoi scoateți capacul de umplere cu ulei.
  - Așezați un recipient adecvat lângă mașina de tuns iarba pentru a colecta uleiul uzat, apoi înclinați mașina de tuns iarba pe partea dreaptă. Uleiul uzat se va scurge prin gâtul de umplere. Lăsați uleiul să se scurgă complet.
  - Vă rugăm să eliminați uleiul de motor uzat și recipientele acestuia într-un mod compatibil cu mediul înconjurător. Vă sugerăm să îl duceți într-un recipient sigilat la centrul de reciclare sau la stația de service locală pentru valorificare. Nu-l aruncați la gunoi, nu-l turnați pe jos și nu-l vărsați în canalizare.
  - Umpleți cu uleiul recomandat. Nu umpleți în exces. Lăsați câteva minute pentru ca uleiul să se așeze în motor, apoi măsurați nivelul de ulei.
- \* Unele modele sunt echipate cu un șurub de scurgere a uleiului; deșurubați și scoateți șurubul de scurgere a uleiului și lăsați uleiul să se scurgă în recipient. Asigurați-vă că strângeți se- curețiv șurubul de scurgere și adăugați șaiba de etanșare (dacă este inclusă) înainte de a adăuga ulei.

### Service pentru filtrul de aer (Imagine T)

Aviz: Funcționarea motorului fără un filtru de aer sau cu un filtru de aer deteriorat va permite murdăriei să pătrundă în motor, provocând uzura rapidă a acestuia.

- Apăsăți în jos pe filele capacului și scoateți capacul.
- Scoateți filtrul din baza filtrului de aer.
- Inspectați filtrul și elementul de spumă și înlocuiți-l dacă este deteriorat.
- Curățați filtrul lovindu-l de mai multe ori pe o suprafață dură pentru a îndepărta murdăria sau suflați aer comprimat prin filtrul de aer din interior. Nu încercați niciodată să îndepărtați murdăria cu peria; periajul va forța murdăria să intre în fibre.
- Ștergeți murdăria din interiorul bazei și a capacului filtrului de aer, folosind o cârpă umedă. Aveți grijă să împiedicați murdăria să pătrundă în conducta de aer care duce la carburator.
- Reinstalați filtrul și capacul.

### Service bujii de aprindere (Imagine U - U1 - U2)

Pentru o performanță bună, bujia trebuie să fie corect distanțată și să nu aibă depuneri.

- Deconectați capacul bujiei de aprindere și îndepărtați orice murdărie din jurul zonei bujiei.
- Scoateți bujia cu o cheie pentru bujii.
- Inspectați bujia de aprindere. Înlocuiți-o dacă electrozii sunt uzați sau dacă izolatorul este crăpat sau ciobit.
- Măsurați distanța dintre electrozii bujiei cu un instrument de măsură adecvat. Distanța trebuie să fie de 0,028 ~ 0,031 in (0,7 ~ 0,8 mm). Corectați decalajul, dacă este necesar, cu atenție îndoirea electrodului lateral cu un instrument adecvat.
- Instalați bujia cu grijă, cu mâna, pentru a evita filetarea încrucișată.
- Instalați capacul bujiei pe bujie.

AVERTISMENT: O bujie slăbită poate supraîncălzi și deteriora motorul. Strângerea excesivă a bujiei de aprindere poate deteriora filetele din capul cilindrului.

### Reglarea cablului (imaginea V)

Înainte de utilizarea mașinii, trebuie verificată întotdeauna reglarea cablului.

Cablurile pot fi verificate prin activarea completă a mânelor și prin verificarea dacă cablul este strâns. În caz contrar, acesta trebuie strâns. În cazul în care mânerul nu poate fi activat complet cu ușurință, cablul trebuie slăbit.

După primul sezon, este de așteptat ca cablurile să fie ajustate pentru o activare optimă, deoarece cablurile se pot întinde în timpul utilizării.

Este posibil să fie necesară reajustarea următoarelor cabluri:

1. Cablu pentru acționare
2. Cablu pentru frâna de motor
3. Cablu pentru cablu de accelerație



## Program de întreținere

PERIOADA DE SERVICIU REGULAT(4)		Înainte	Prima	La	La	În	La
ELEMENT		de	lună	fiecare	fiecare	fiecare	fiecare
Efectuați-o la fiecare lună sau la fiecare interval de ore de funcționare indicat, în funcție de care dintre acestea survine prima.		fiecare	sau	3 luni	6 luni	an	doi ani
		utilizare	5 ore	sau	sau	sau	sau
				25 ore	50 ore	100 ore	250 ore
Ulei de motor	Verificați	O					
	Înlocuiți		O	O(2)			
Filtru de aer	Verificați		O				
	Înlocuiți			O			
Bujie de aprindere	Verificați și reglați					O	
	Înlocuiți						O
Frână de volan tampon (tipuri A)	Verificați					O	
Rezervorul de combustibil și filtru	Curat			O			
Tubul de combustibil	Verificați	La fiecare 2 ani (înlocuiți dacă este necesar)					
Joc de supapă	Verificați și reglați						O
Combustie cameră	Curat	După fiecare 200 de ore					

## Depanare

MOTORUL NU PORNEȘTE	Cauză posibilă	Corecție
1. Verificați combustibilul.	Nu mai avem combustibil.	Alimentați
	Combustibil stricat; motor depozitat fără tratarea sau golirea benzinei, din alimentate cu benzină proastă	Goliți rezervorul de combustibil și carburatorul. Alimentați cu benzină proaspătă.
2. Scoateți și inspectați bujia de aprindere.	Bujie de aprindere defectă, murdară sau cu spațiere necorespunzătoare.	Înlocuiți bujia de aprindere.
	Bujie umedă cu combustibil (motor inundat).	Uscați și reinstalați bujia.
3. Duceți motorul la un distribuitor autorizat de service sau consultați manualul de service.	Filtru de combustibil înfundat, defecțiune a carburatorului, defecțiune a aprinderii, supape blocate, etc.	Înlocuiți sau reparați componentele defecte, după caz.
4. Apăsăți butonul de amorsare	În condiții de frig	Apăsăți butonul de pornire.

MOTORUL ESTE LIPSIT DE PUTERE	Cauză posibilă	Corecție
1. verificați filtrul de aer	Elementele filtrului de aer sunt înfundate.	Curățați sau înlocuiți elementele filtrului de aer
2. Verificați combustibilul	Combustibil stricat; motor depozitat fără tratarea sau golirea benzinei, din alimentat cu benzină proastă.	Goliți rezervorul de combustibil și carburatorul. Alimentați cu benzină proaspătă.
3. Duceți motorul la un distribuitor autorizat de service sau consultați manualul atelierului.	Filtru de combustibil înfundat, defecțiune a carburatorului, defecțiune a aprinderii, supape blocate, etc.	Înlocuiți sau reparați componentele defecte, după caz.

## Date tehnice

Model:	PM4810	PM4820	PM4830	PM5310	PM5810
Cilindree:	145cm <sup>3</sup>	145cm <sup>3</sup>	145cm <sup>3</sup>	170cm <sup>3</sup>	196cm <sup>3</sup>
Tipul de motor:	OHV Euro V	OHV Euro V	OHV Euro V	OHV Euro V	OHV Euro V
Lățimea de tăiere:	42cm	46cm	46cm	51cm	53cm
Reglarea înălțimii:	25-75mm (6 setări)	25-75mm (6 setări)	25-75mm (6 setări)	25-75mm (6 setări)	25-75mm (6 setări)
Capacitate de colectare a ierbii:	45L	65L	65L	65L	65L
Dim. roți:	150mm(FR)/180mm(R)	180mm(FR)/230mm(R)	180mm(FR)/230mm(R)	180mm(FR)/230mm(R)	200mm(FR)/280mm(R)
Tip:	Împingere manuală	Împingere manuală	Autopropulsat	Autopropulsat	Autopropulsat
Tipul de ulei de motor:	SAE 10w-30 sau SAE20w50*.	SAE 10w-30 sau SAE 20w50*.	SAE 10w-30 sau SAE 20w50*.	SAE 10w-30 sau SAE 20w50*.	SAE 10w-30 sau SAE 20w50*.
Combustibil recomandat:	Benzină fără plumb 94 Octan sau mai mare	Benzină fără plumb 94 Octan sau mai mare	Benzină fără plumb 94 Octan sau mai mare	Benzină fără plumb 94 Octan sau mai mare	Benzină fără plumb 94 Octan sau mai mare
Funcții:	3 în 1	3 în 1	3 în 1	4 în 1	4 în 1

\* Alegeți tipul adecvat în funcție de temperatura mediului local.

**Atenție!** Din motive de siguranță, mașina poate fi livrată fără ulei de motor.

Vă rugăm să verificați nivelul uleiului de motor și să completați cu o cantitate corespunzătoare de ulei înainte de a porni mașina.

\* Producătorul își rezervă dreptul de a aduce modificări minore la designul și specificațiile tehnice ale produsului fără notificare prealabilă, cu excepția cazului în care aceste modificări afectează în mod semnificativ performanța și siguranța produselor. Piesele descrise / ilustrate în paginile manualului pe care îl țineți în mâini pot viza și alte modele din linia de produse ale producătorului cu caracteristici similare și pot să nu fie incluse în produsul pe care tocmai l-ați achiziționat.

\* Pentru a asigura siguranța și fiabilitatea produsului, precum și valabilitatea garanției, toate lucrările de reparații, inspecții, reparații sau înlocuiri, inclusiv întreținerea și reglajele speciale, trebuie efectuate numai de către tehnicieni ai departamentului de service autorizat al producătorului.

\* Utilizați întotdeauna produsul cu echipamentul furnizat. Funcționarea produsului cu echipamente care nu sunt furnizate poate cauza defecțiuni sau chiar vătămări grave sau chiar moartea. Producătorul și importatorul nu sunt răspunzători pentru vătămările și daunele rezultate din utilizarea unui echipament neconform.

Hvala vam što ste odabrali našu kosilicu za travu s benzinom.

Kako biste bili sigurni da ćete dobiti najbolje rezultate od svoje kosilice za travu za benzin, pažljivo pročitajte sve ove upute o sigurnosti i rukovanju prije primjene ovog proizvoda.

## Sigurnosne upute

Vaša sigurnost i sigurnost drugih vrlo su važne. U ovom priručniku i na kosilici naveli smo važne sigurnosne poruke. Ove vas informacije upozoravaju na potencijalne opasnosti koje bi mogle naškoditi vama ili drugima. Pažljivo pročitajte ove poruke.

Naravno, nije praktično niti moguće upozoriti vas na sve opasnosti vezane uz rad ili održavanje kosilice. Morate primijeniti vlastitu dobru prosudbu.

- Prije uporabe brizgalice pročitajte upute za uporabu.
- Držite druge osobe na sigurnoj udaljenosti tijekom rada.
- Izvadite svjećicu iz svjeće i pročitajte upute prije bilo kakvog popravka ili održavanja.
- Oštrice u pokretu. Nemojte stavljati ruke ili noge blizu ili ispod otvora ploče za rezanje.
- Ne primjenjivati na brežuljcima iznad 22 °.
- Nemojte dodirivati rotirajuće dijelove.
- Prekinite motor prije čišćenja radnog prostora.
- Upozorenje: uvijek koristite ispravne alate i originalne rezervne dijelove.
- Upozorenje: oštrica je oštra, nemojte dodirivati oštricu.
- Čuvajte druge nazočne, posebno djecu.

### Opći uvjeti uporabe

Taj se stroj koristi isključivo za rezanje prirodne trave. Nikada ne koristite kosilice za druge namjene. Svako drugo korištenje može dovesti do opasnosti za Vašu sigurnost i može dovesti do oštećenja kosilice.

Osobe mlađe od 16 godina i osobe koje nisu upoznate s uputama za uporabu ne smiju koristiti kosilice.

Korisnik je odgovoran za sigurnost drugih ljudi u radnom prostoru. Držite djecu i domaće životinje na sigurnoj udaljenosti dok je kosilica u upotrebi. Prije košnje uklonite sve strane predmete s travnjaka koje stroj može baciti, pazite na sve strane predmete koji su možda propušteni.

- Provjerite jesu li sve matice, svornjaci i vijci dobro zategnuti.
  - Prije košnje staviti hvatača trave u svoj položaj.
  - Prije košnje provjerite jesu li oštrica i vijak za pričvršćivanje oštrice čvrsto pričvršćeni. Pri rezanju rubova potrebno je ravnomjerno obiju strana kako bi se spriječila neravnoteža. Ako je oštrica oštećena, mora se zamijeniti.
  - Kad košnja uvijek nosi duge hlače i jaku obuću.
  - Nemojte pokretati motor u zatvorenom i/ili slabo ventiliranom prostoru, gdje plin motora sadrži ugljikov monoksid, koji je opasan za vaše zdravlje.
  - Djeluje samo kada ima dovoljno svjetla.
  - Ne koristite kosilice za travu tijekom kiše ili mokre trave.
  - Potrebno je poduzeti posebne mjere opreza prilikom košnje na pokosima ili povlačnim rastegnućima. Kosilica preko nagiba, nikad dolje ili gore.
  - Isključite motor ako košaricu travnjaka morate ostaviti bez nadzora, premjestiti ili nagnuti.
  - Nikada nemojte podizati stražnji dio kosilice dok pokrećete motor i nikada ne stavljajte ruke i noge ispod palube ili u stražnji ispusni žlijeb dok motor radi.
  - Nikada nemojte ni na koji način promijeniti nazivnu brzinu motora.
  - Na samohodnim kosilicama isključite samohodni sustav prije pokretanja motora.
  - Nikada ne podignite ili nosite kosilicu dok motor radi.
  - Zaustavite motor i uklonite poklopac svjeće u sljedećim slučajevima:
    - prije bilo kakvog rada ispod palube ili stražnjeg otvora trave.
    - prije bilo kakvog održavanja, popravka ili provjere.
    - prije nošenja, podizanja ili skidanja kosilice.
    - ostavite li kosilicu bez nadzora ili mijenjate visinu rezanja.
    - uklanjanje i pražnjenje hvatača trave.
    - Nakon što udarite u stranu stvar, zaustavite motor i temeljito provjerite kosilicu kako biste provjerili je li oštećena. Dovedi kosilicu u dogovorenu benzinsku postaju da po potrebi popravi.
- Upozorenje! Nakon što ste zaustavili motor, oštrica je još uvijek u pokretu tijekom nekoliko sekundi.**
- Ako kosilica vibrira na neuobičajen način, pronađite razloge i odvedite kosilicu na dogovorenu benzinsku crpku.
  - redovito provjeravajte jesu li vijci, matice i vijci sekularno zatezanje za sigurno korištenje kosilice.

### Upozorenje! GAZOLIN JE JAKO ZAPALJIV!

- Održavajte benzin u posudi posebno izrađenoj za tu namjenu.
- napunite spremnik lijevkom, izvedite operaciju vani. Nemojte pušiti. Nemojte koristiti mobilni telefon.
- napunite benzinom i uljem prije uboda u motor. Nikad nemojte otvarati poklopac spremnika za gorivo da biste dodali benzin dok motor radi ili je još vruć.
- Nemojte pokretati motor ako je oko njega rasprostranjen određeni benzin, odvojite kosilicu od one gdje je benzin razdvojen i izbjegavajte bilo kakav doticaj s vrućim izvorom sve dok je razdvojeni benzin potpuno isparavan.
- Pooštrite poklopac spremnika za gorivo i čvrsto zatvorite poklopac spremnika za sudar.

## Sigurnosni simboli



Prije korištenja stroja pročitajte upute za uporabu.



Ostale osobe držite na sigurnoj udaljenosti tijekom rada



Izvadite svječiću iz svječiće i pročitajte upute prije bilo kakvog popravka ili održavanja.



Oštrice u pokretu. Nemojte stavljati ruke ili noge blizu ili ispod otvora ploče za rezanje.



Ne primjenjivati na brežuljcima iznad 22 °.



Nemojte dodirivati rotirajuće dijelove.



Zaustavite motor prije čišćenja radnog prostora.

## Upute za montažu

**Raspakiranje**

Izvadite kosilice iz kartonske kutije i temeljito provjerite ima li dodatnih nepričvrščenih dijelova.

**Postavljanje pokazivača**

Otvorite dršku i zavijte dijelove drški s četiri vijka i kvake. Postavite pokretač zavojnice s desne strane drške i pričvrstite kabel plastičnim objumom. Na konop vodilice za podupiranje uvedite užu ručice za paljenje zavojnica.

**Podešavanje visine trake ručke (slike 2 i 2b)**

Ako želite podesiti visinu upravljačke poluge, možete odabrati „L” ili „H” dvije rupe u lijevoj desnoj zagradi kako biste popravili upravljačku traku vijcima i kvakama. Otvor „H” je visok položaj upravljača, a otvor „L” je nizak položaj upravljača.

**Postavljanje kabela za kočnice i spojke (slika C)**

Umetnite kočni kabel i kabel spojke u otvor odgovarajuće poluge, pogledajte ilustraciju. Strelica označava gdje bi se kabel trebao petljati.

**Postava panela (slike D i D1)**

Izvadite panele i dva vijka ili svornjake u vrećici iz kutije i pričvrstite panele vijcima.

\* Napomena: različiti modeli imaju različite ploče. Nemaju svi modeli srednju ploču.

**Sklop vreća za travu (slike E i F)**

- Spojite plastične rubove vrećice na okvir i pričvrstite kvačice kako je prikazano. Skupljač trave ima praktičan pokazatelj o tome je li kutija puna trave i treba li se pražnjenje.
- Podignite stražnji odvodni štitnik, uklonite utikač za malčiranje i ugrađujte traženu vrećicu.

**Utikač za malčiranje (slika G)**

Čep za malčiranje pomaže zakriviti unutrašnjost kosilice radi učinkovitijeg malčiranja. Instalirajte i uklonite utikač za malčiranje podizanjem stražnjeg odvodnog štitnika kako je prikazano. Utikač za malčiranje pristaje samo jednom. Uklonite utičnicu za malčiranje prilikom korištenja tračne vrećice.

**Podupirači stražnje straže (slika H)**

Izvadite dva nosača u vrećici iz kutije i podignite stražnji odvodni štitnik, ugradite dva nosača koji mogu držati stražnji odvodni štitnik, a to može učiniti travu učinkovitijom iz palube.

**Sklop omota za bočni otpust (slika I)**

Podignite bočni odvodni štitnik, postavite bočni odvodni poklopac.

Samo malčiranje: uklonite bočni poklopac za pražnjenje.

\* Napomena: nemaju svi modeli bočni odvodni štitnik.

## Prije operacije

### Ulje za motore (slika J)

Kosilica se otprema bez ulja u motoru.

Svi motori se izvode u tvornici prije pakiranja. Većina ulja uklanja se prije otpreme; međutim, dio ulja ostaje u motoru. Količina ulja u motoru varira.

Dodajte dovoljno ulja kako biste doveli razinu ulja između gornjih i donjih graničnih oznaka na pločici kako je prikazano. Nemojte prenapuniti motor uljem.

### Gorivo (slika K)

Napomena: motor isporučen bez benzina, gorivo od 1,0 otpadaka prije pokretanja motora.

- Uklonite poklopac punila.
- Dodajte gorivo na dno granice razine goriva na vratu spremnika goriva. Nemojte previše napuniti. Obrišite proliveno gorivo prije pokretanja motora.
- Skinite zatvarač spremnika za gorivo.

Benzin je iznimno zapaljiv, a benzinska para može eksplodirati, uzrokujući ozbiljnu ozljedu ili smrt. Potreban je izniman oprez prilikom rukovanja benzinom. Čuvati izvan dohvata djece.

Zaustavljeno je ponovno punjenje motora u dobro prozračenom prostoru. Ne pušite ili ne dopuštajte plamen ili iskre na području na kojem se motor puni gorivom ili na kojem se skladišti benzin. Izbjegavajte ponovljeni ili produljeni kontakt s kožom ili udisanjem pare.

Nakon punjenja goriva, čvrsto zategnite poklopac spremnika za gorivo. Ako je bilo kakvo gorivo izliveno, prije pokretanja motora provjerite je li područje suho.

### Punjenje baterije (slika L)

Napunite bateriju prije uporabe prije korištenja funkcije električnog pokretanja, bateriju je potrebno napuniti 5 sati. Stavite punjač u rupu u bateriji i priključite punjač na izvor napajanja.

\* Napomena: Svi modeli nemaju funkciju Electric Start.

### Podešavanje visine rezanja (slika M i M1)

Provjerite postavke visine rezanja i napravite potrebne prilagodbe.

Upozorenje! Oštrica može uzrokovati ozbiljnu ozljedu. Zaustavite motor prije podešavanja visine rezanja.

## Upute za rukovanje

### Pokretanje motora (slika N1-N7)

- Ručna pumpa za gorivo.

U hladnom stanju potrebno je pritisnuti ručnu pumpu na zračni filter prije povlačenja ručice startera.

Temperatura	Vrijeme guranja
<0°C	3-4
0°C ~10°C	2-3
10°C ~ 20°C	1-2
>20°C	1

Trebamo staviti i više goriva za miješanje zraka za lak početak. Kada pritisnete ručnu pumpu za gorivo, ona će pumpati gorivo direktno od rasplinjača do spaljivanja kuće.

\* Napomena: nemaju svi modeli tu ručnu pumpu za gorivo.

- Pomaknite ručicu za prigušivanje do položaja „CHOKE” (nije opremljena na svim modelima).

\* Napomena: nemaju svi modeli tu ručicu za prigušivanje.

- Povucite ručicu kočnice i držite je za ručicu.

\* Otpustite ručicu spojke. To će spriječiti pomicanje kosilice naprijed kada pokrenete starter.

\* Napomena: nemaju svi modeli tu ručicu spojke.

- Ako modeli imaju električnu funkciju pokretanja, lagano pritisnite tipku E za pokretanje, motor će se pokrenuti.

\* Napomena: Svi modeli nemaju funkciju električnog starta.

• Držeći ručicu startera u svojoj podlozi, desnom rukom uzmete ručicu startera i povucite polako do otpora, a zatim snažno povucite ručicu startera s užešom startera kroz podlogu (Ako hladni početak nije dovoljan, ponovite ovu operaciju 2 ili 3 puta).

• Odmah nakon početka pritisnite ručicu za prigušivanje od položaja „CHOKE” do položaja „RUN” (Ako je temperatura niska, pustite da motor radi nekoliko minuta prije početka rada).

\* Napomena: nemaju svi modeli tu ručicu za prigušivanje.

### Upravljanje kosilicama (slika P1-P6)

Oštrica je u funkciji čim motor započne s radom. Dok stroj radi, održavajte zaštitnu ručicu u radnom položaju. Motor će se zaustaviti čim otpustite upravljačku traku motora.

Otpustite ručicu kako biste zaustavili motor kad god trebate napustiti kosilicu.

### Ručica spojke

Gurnite ručicu spojke prema naprijed i držite je za upravljač kako biste pomicali kosilice prema naprijed.

Otpustite ručicu spojke kako biste zaustavili pomicanje naprijed kosilice.

Prije pokretanja motora uvijek otpustite ručicu spojke. Ako je spojnica uključena, kosilica će se pomicati naprijed.

Upravlajte ručicom spojke brzim i potpunim pokretom, tako da je spojnica potpuno aktivirana ili potpuno otpuštena. Držite ručicu spojke za upravljač tijekom samohodne košnje. Time će se produljiti vijek trajanja mehanizma spojke.

### Ručica za zaustavljanje

Za najbolju kvalitetu rezanja uvijek se kosi s ručicom zaklopke u „BRZOM” položaju. Kada se oštrica okrene unaprijed zadanom brzinom, stvara snažnu radnju ventilatora koja učinkovitije podiže i kosi travu.

\* Napomena: Nemaju svi modeli ovu ručicu ubrzanja.

### Ručica promjenjive brzine

Brzina se može podešavati od 2,7 do 5,0 km/h tijekom vožnje. Aktivirajte desnu ručicu na nadzornoj ploči i postavite je jednom od 4 različite brzine. Kod vožnje u jednoj od dvije najniže brzine razlika u brzini neće se značajno razlikovati.

\* Napomena: nemaju svi modeli ovu ručicu ubrzanja.

### Zaustavni modul

Pomaknite ručicu gasa na položaj „SLOW”.

\* Napomena: nemaju svi modeli ovu ručicu ubrzanja.

- Otpustite ručicu spojke.
- Otpustite ručicu kočnice.

Upozorenje! Oštrica će nastaviti rotirati nekoliko sekundi nakon što se motor zaustavi. Isključite poklopac svjeće kako bi kosilica ostala bez nadzora.

## Održavanje

**VAŽNO: redovito, pažljivo održavanje neophodno je kako bi se razina sigurnosti i izvorna izvedba stroja na vrijeme održale nepromijenjenima.**

- Držite čvrsto sve matice, svornjake i vijke kako biste bili sigurni da je oprema u sigurnom radnom stanju. Redovito održavanje ključno je za sigurnost i učinkovitost.
- Nikada ne čuvajte opremu s gorivom u spremniku unutar zgrade gdje para može doprijeti do plamena ili iskre ili izvora iznimne topline.
- Ostavite motor da se hladi prije pohranjivanja u zatvorenom prostoru.
- Da bi se smanjila opasnost od požara, motor, ispušni prigušivač, baterijski odjeljak i prostor za pohranu goriva moraju ostati bez trave, lišća ili prekomjerne masti. Ne ostavljajte posude s travnatim reznicama u sobama.
- Iz sigurnosnih razloga nemojte koristiti opremu s istrošenim ili oštećenim dijelovima. Dijelove treba zamijeniti i ne popraviti. Upotrijebite originalne rezervne dijelove (oštrice uvijek trebaju nositi simbol). Dijelovi koji nisu iste kvalitete mogu oštetiti opremu i biti opasni za vašu sigurnost.
- Ako spremnik goriva treba ocijediti, to treba učiniti na otvorenom i kada je motor hladan.
- Nositi snažne radne rukavice prilikom skidanja i ponovnog slaganja oštrice.
- Provjerite ravnotežu oštrice nakon oštrenja.
- Često provjeravajte trošenje i propadanje samozatvarajućeg štitnika i hvatača trave.
- Kad god trebate rukovati uređajem, prevoziti ga ili naginjati, morate:
  - nositi snažne radne rukavice,
  - Grasperite stroj na mjestima koja pružaju siguran prijanjanje, uzimajući u obzir težinu i njegovu distribuciju.

### Sječivo

#### Inspekcija

- Nagnite kosilicu udesno tako da je strana pročišćivača zraka gore. Time će se spriječiti istjecanje goriva i teško pokretanje.
- Pregledajte oštricu na oštećenja, pukotine i prekomjernu hrđu ili koroziju.

Oštrica se može oštrenje, ali se mora zamijeniti oštrica koja je prekomjerno istrošena, savijena, napuknuta ili na drugi način oštećena.

- Pri ugradnji oštrice uvijek se mora koristiti moment-ključ.

Provjerite jesu li vijci oštrice čvrsti.

#### Uklanjanje i instalacija (slika Q)

Ako skinete oštricu za oštrenje ili zamjenu, trebat će Vam moment ključ za ugradnju. Nosite teške rukavice kako biste zaštitili ruke.

- Uklonite vijak nasadnim ključem. Koristite drveni blok kako biste spriječili okretanje oštrice prilikom skidanja vijka. Zatim uklonite oštricu.
- Ugradite oštricu pomoću vijka oštrice i posebnih podložaka. Obavezno ugrađujte posebne podložne pločice s konkavnom stranom prema oštrici i konveksnom stranom prema vijku.
- Pooštrite vijak oštrice okretnim ključem. Koristite drveni blok kako biste spriječili okretanje oštrice prilikom zatezanja vijka.

#### Čišćenje i zamjena vreća za travu (slika R)

##### Čišćenje

Operite vrećicu vrtnom crijevom i pustite da se potpuno osuši prije uporabe; mokra vrećica brzo će se začepiti.

##### Zamjena

- Odvojite plastične rubove vrećice od okvira, izvadite vrećicu iz gornjeg poklopca.
- Umetnite vrećicu od tkanine u gornji poklopac, pričvrstite plastične rubove vrećice na okvir.

#### Mlaznica za vodu (R2) za slike

Mlaznica za vodu (R2) za slike

- Lijeva strana kosilice opremljena je mlaznicom za vodu za pranje palube.
- Kada se koristi mlaznica za vodu, stroj mora biti u najnižem položaju visine i postaviti na travnjak. Time se osigurava da voda ostane pod palubom tijekom čišćenja.
- Pričvrstite cijev na mlaznicu.
- Uključite vodu i pokrenite motor.
- Rotacijom oštrica osigurat će se da voda očisti donji dio palube.

Napomena: nemaju svi modeli mlaznicu za vodu.

## Održavanje motora

### Provjera razine ulja motora (slika J)

Provjerite razinu motornog ulja zaustavljenim motorom i kosilicom.

- Uklonite zatvarač s filterom za ulje i obrišite klip.
- Umetnite ljepljivu traku u vrat uljnog punila, ali je nemojte zavrtati.
- Provjerite razinu ulja prikazanu na traci. Ako ste blizu donjeg, napunite ulje do gornje razine. Nemojte previše napuniti.
- Čvrsto navijte zatvarač punila.

**Napomena: Pokretanje motora s niskom razinom ulja uzrokovat će oštećenje motora.**

### Promijeni ulje motora

- Izvucite iskorišteno ulje dok je motor topao. Toplo ulje se brzo i potpuno odvodi.
  - Obrišite područje uljnog punila čistim, a zatim uklonite poklopac uljnog punila/ljepljivu traku.
  - Postavite odgovarajući spremnik uz kosilicu kako biste uhvatili korišteno ulje, a zatim nagnite kosilicu na desnoj strani. Korišteno ulje drenirat će kroz vrat punila. Dopustiti potpuno istjecanje ulja.
  - Uklonite korišteno motorno ulje i spremnike na način koji je kompatibilan s okolinom. Predlažemo da ga u zatvorenom kontejneru odvedete u lokalni reciklažni centar ili servisnu postaju na oporabu. Nemojte ga bacati u smeće, istresti ga na tlo ili istresti niz odvod.
  - Napunite preporučenim uljem. Nemojte previše napuniti. Dopustite par minuta da se ulje slegne u motoru, a zatim izmjerite razinu ulja.
- \* Neki modeli opremljeni su vijkom za odvođenje ulja; otvrdite i uklonite vijak za odvođenje ulja i pustite da ulje odlazi u spremnik. Pobrinite se za sigurno učvršćivanje sidra za odvod i dodajte brtvenu perilicu (ako je uključena prije dodavanja ulja).

### Servis pročišćavanja zraka (slika T)

Napomena: rad motora bez pročišćivača zraka ili oštećenog pročišćivača zraka omogućit će prljavštinu ulazak u motor, što uzrokuje brzo trošenje motora.

- Pritisnite pokrovne kartice prema dolje i uklonite pokrov.
- Uklonite filter s baze pročišćivača zraka.
- Pregledajte filter i pjenasti element i zamijenite ga ako je oštećen.
- Očistite filter tako što ćete ga nekoliko puta lupkati po tvrdoj površini kako biste uklonili prljavštinu ili puhati komprimirani zrak kroz zračni filter iznutra. Nikada ne pokušavajte otprati prljavštinu; četkanje će nanijeti prljavštinu u vlakna.
- Izbrišite prljavštinu s unutrašnje strane baze pročišćivača zraka i pokrivača vlažnom krpom. Pazite da spriječite ulazak prljavštine u zračni kanal koji dovodi do rasplinjača.
- Ponovno instalirajte filter i poklopac.

### Servis dodatka za iskru (slika U - U1 - U2)

Za dobre performanse svjećica mora biti pravilno očišćena i bez naslaga.

Za dobre performanse svjećica mora biti pravilno očišćena i bez naslaga.

- Prekinite zatvarač svjećice i uklonite svu prljavštinu s područja svjećice.
- Uklonite svjećicu s ključem svjećice.
- Pregledajte svjećicu. Zamijenite ga ako su elektrode istrošene ili ako je izolator napuknut ili čipiran.
- Izmjerite jaz elektrode svjećice odgovarajućim mjeracem. Razlika bi trebala biti 0,028 ~ 0,031 u (0,7 ~ 0,8 mm). Ispravite prazninu, ako je potrebno, pažljivo savijajući bočnu elektrodu odgovarajućim alatom.
- Pažljivo ručno instalirajte svjećicu kako biste izbjegli križno narezivanje.
- Stavite zatvarač svjećice na svjećicu.

**NAPOMENA:** labavi svjećica može pregrijati i oštetiti motor. Zatezanje svjećice može oštetiti niti glave cilindra.

### Podešavanje kablova (slika V)

Prije korištenja stroja uvijek treba provjeriti namještanje kabela.

Kabeli se mogu provjeriti potpunom aktivacijom ručica i provjerom je li kabel čvrsto pričvršćen. Ako nije, mora se pooštriti. Ako se ručica ne može lako aktivirati u potpunosti, kabel treba otpustiti.

Nakon prve sezone treba očekivati da kabeli trebaju biti prilagođeni optimalnoj aktivaciji jer se kabeli mogu rastezati pri korištenju.

Sljedeći kabeli mogu biti potrebni za ponovno razmatranje:

1. Kabel za pogon
2. Kabel za kočnice motora
3. Kabel za prigušni kabel

## Raspored održavanja

RAZDOBLJE REDOVNOG PRIJEVOZA (4)		Prije	Prvi	Prva 3	Prva 3	Svake	Svake
ELEMENT		svake	mjesec	mjeseca	mjeseca	godine	dvije godine
Izvedite u svakom navedenom mjesecu ili radnom satu, ovisno o tome što nastupi prije.		primjene	ili 5 sati	ili 25 sati	ili 50 sati	ili 100 sati	ili 250 sati
Ulje za motore	Kontrola	O					
	Zamijeni		O	O(2)			
Sredstvo za čišćenje zraka	Kontrola		O				
	Zamijeni			O			
Svjećica	Kontrola-prilagodi					O	
	Zamijeni						O
Pločica za kočnice zamašnjaka (A)	Kontrola					O	
Spremnici i filtri za gorivo	Očisti			O			
Cijevi za gorivo	Kontrola	Svake 2 godine (zamjena ako je potrebna)					
Raščišćavanje ventila	Kontrola-prilagodi						O
Komora izgaranja	Očisti	Nakon svakih 200 sati					

## Otklanjanje poteškoća

MODUL SE NEĆE POKRENUTI	Mogući uzrok	Otopina
1. Provjerite gorivo.	Iz goriva.	Ponovno napuniti
	Loše gorivo; motor uskladišten bez obrade ili odvoda benzina, goriv s lošim benzinom	Odvodnjavanje spremnika za gorivo i rasplinjača. Ponovno punjenje svježim benzinom.
2. Uklonite i pregledajte svjećicu.	Iskre neispravnu, zaprepaštenu ili nepravilno zamućenu utičnicu.	Zamijenite svjećicu.
	Svjećica mokra s gorivom (poplavljeni motor).	Sušite i ponovno instalirajte svjećicu.
3. Preuzmite motor ovlaštenom trgovcu servisima ili pogledajte priručnik za trgovinu.	Začepljen filter za gorivo, kvar rasplinjača, kvar paljenja, zaglavljene ventili itd.	Po potrebi zamijenite ili popravite neispravne komponente.
4. Pritisnite ručnu pumpu za gorivo	U hladnom stanju	Pritisnite ručnu pumpu za gorivo.

MOTOR NEMA DOVOLJNO SNAGE	Mogući uzrok	Otopina
1. Provjeri sredstvo za čišćenje zraka	Elementi za pročišćavanje zraka su začepljeni.	Očisti ili zamijeni elemente pročišćivača zraka
2. Provjera goriva	Loše gorivo; motor uskladišten bez obrade ili odvoda benzina, oštećen lošim benzinom.	Odvodnjavanje spremnika za gorivo i rasplinjača. Ponovno punjenje svježim benzinom.
3. Preuzmite motor ovlaštenom trgovcu servisima ili pogledajte priručnik za trgovinu.	Začepljen filter za gorivo, kvar rasplinjača, kvar paljenja, zaglavljene ventili itd.	Po potrebi zamijenite ili popravite neispravne komponente.



## Tehnički podaci

Model:	PM4810	PM4820	PM4830	PM5310	PM5810
Radni obujam:	145cc	145cc	145cc	170cc	196cc
Tip motora:	OHV Euro V	OHV Euro V	OHV Euro V	OHV Euro V	OHV Euro V
Širina izrezivanja:	42cm	46cm	46cm	51cm	53cm
Podešavanje visine:	25-75mm (6 postavki)	25-75mm (6 postavki)	25-75mm (6 postavki)	25-75mm (6 postavki)	25-75mm (6 postavki)
Kapacitet hvataljki trave:	45L	65L	65L	65L	65L
Dimenzije kotača:	150mm(FR)/180mm(R)	180mm(FR)/230mm(R)	180mm(FR)/230mm(R)	180mm(FR)/230mm(R)	200mm(FR)/280mm(R)
Vrsta:	Guranje ruku	Guranje ruku	Samohodni	Samohodni	Samohodni
Vrsta motornog ulja:	SAE 10w-30 ili SAE20w50*	SAE 10w-30 ili SAE 20w50*	SAE 10w-30 ili SAE 20w50*	SAE 10w-30 ili SAE 20w50*	SAE 10w-30 ili SAE 20w50*
Preporučeno gorivo:	Bezolovni benzin 94 oktan ili više	Bezolovni benzin 94 oktan ili više	Bezolovni benzin 94 oktan ili više	Bezolovni benzin 94 oktan ili više	Bezolovni benzin 94 oktan ili više
Funkcije:	3 od 1	3 od 1	3 od 1	4 od 1	4 od 1

\* Odaberite odgovarajuću vrstu ovisno o lokalnoj temperaturi okoliša.

**Pažnja!** Iz sigurnosnih razloga stroj se može isporučiti bez motornog ulja.  
Prije pokretanja stroja provjerite razinu motornog ulja i dopunite odgovarajuću količinu ulja.

MAKAYAMA  
PRO



\* Proizvođač zadržava pravo na manje izmjene u dizajnu proizvoda i tehničkim specifikacijama bez prethodne najave, osim ako te promjene značajno utječu na performanse i sigurnost proizvoda. Dijelovi opisani / ilustrirani na stranicama priručnika koje držite u rukama također se mogu odnositi na druge modele proizvođačeve linije proizvoda sa sličnim značajkama i možda neće biti uključeni u proizvod koji ste upravo nabavili.

\* Kako bi se osigurala sigurnost i pouzdanost proizvoda i valjanost jamstva, sve popravke, inspeksijske ili zamjenske radove, uključujući održavanje i posebne prilagodbe, smiju obavljati samo tehničari ovlaštenog servisnog odjela proizvođača.

\* Uvijek koristite proizvod s isporučenom opremom. Rad proizvoda s neiskorištenom opremom može uzrokovati kvarove ili čak ozbiljne ozljede ili smrt. Proizvođač i uvoznik nisu odgovorni za ozljede i štete nastale uporabom nesukladne opreme.

**EL**

Τα μηχανήματα έχουν κατασκευαστεί με αυστηρά πρότυπα που έχει θέσει η εταιρεία και συνάδουν με τα ευρωπαϊκά πρότυπα ποιότητας. Για τα βενζινοκίνητα και πετρελαιοκίνητα μηχανήματα παρέχεται περίοδος εγγύησης 24 μηνών για ερασιτεχνική χρήση και 12 μηνών για επαγγελματική χρήση. Η ισχύς της εγγύησης ξεκινά από την ημερομηνία αγοράς του προϊόντος. Αποδεικτικό του δικαιώματος της εγγύησης αποτελεί το παραστατικό αγοράς του μηχανήματος (απόδειξη λιανικής ή τιμολόγιο). Σε καμία περίπτωση η εταιρεία δεν καλύπτει τη σχετική δαπάνη ανταλλακτικών και εργασίας εάν και εφόσον δε συνοδεύεται από αντίγραφο του παραστατικού. Σε περίπτωση που η επισκευή πρέπει να γίνει στο service μας η δαπάνη μεταφοράς (από και προς) βαρύνει εξ' ολοκλήρου τον αποστολέα. Τα μηχανήματα αποστέλλονται για την επισκευή τους στην εταιρεία ή σε εξουσιοδοτημένο συνεργείο με τον ενδεδειγμένο τρόπο και μέσο μεταφοράς.

**ΕΞΑΙΡΕΣΕΙΣ ΚΑΙ ΠΕΡΙΟΡΙΣΜΟΙ ΤΗΣ ΕΓΓΥΗΣΗΣ:**

- 1) Εξαρτήματα που φθείρονται φυσιολογικά από τη χρήση τους (λάμα, αλυσίδα, μαινέζα, μπουζί, χειρόμυζα κ.λπ.).
- 2) Μηχανήματα που έχουν υποστεί ζημιές από τη μη συμμόρφωση με τις οδηγίες του κατασκευαστή.
- 3) Μηχανήματα με ελλιπή συντήρηση ή φροντίδα.
- 4) Χρήση μη ενδεδειγμένων εξαρτημάτων/αναλωσίμων.
- 5) Μηχανήματα που έχουν δοθεί χωρίς επιβάρυνση.
- 6) Βλάβη από αποθήκευση του μηχανήματος με καύσιμο.
- 7) Βλάβη που προήλθε από λανθασμένη συναρμολόγηση του μηχανήματος.
- 8) Βλάβη που προέρχεται από λάθος μίξη καυσίμου με λάδι μηχανής.
- 9) Βλάβη που οφείλεται σε κακής ποιότητας καύσιμο ή λιπαντικό.
- 10) Βλάβη από πλημμελή καθαρισμό του μηχανήματος.
- 11) Μηχανήματα που έχουν υποστεί τροποποιήσεις – αλλαγές ή έχουν ανοιχτεί από μη εξουσιοδοτημένο συνεργείο.
- 12) Μηχανήματα που χρησιμοποιούνται για ενοίκιαση.

Η εγγύηση καλύπτει αποκλειστικά τη δωρεάν αντικατάσταση του εξαρτήματος που έχει κατασκευαστικό ελάττωμα ή αστοχία υλικού. Σε περίπτωση έλλειψης ανταλλακτικού η εταιρεία διατηρεί το δικαίωμα αντικατάστασης του μηχανήματος με άλλο αντίστοιχο μοντέλο. Μετά τη διεκπεραίωση εγγύησης δεν επιμηκύνεται ούτε ανανεώνεται ο χρόνος εγγύησης του εργαλείου. Αντικατάσταση ανταλλακτικού με χρήση επισκευής, καλύπτεται από 1 χρόνο εγγύηση καλής λειτουργίας, με προϋπόθεση την τήρηση των όρων εγγύησης. Τα ανταλλακτικά ή τα μηχανήματα τα οποία αντικαθίστανται παραμένουν στην κατοχή της εταιρείας μας. Άλλες απαιτήσεις, εκτός από αυτές που αναφέρονται σε αυτό το έντυπο εγγύησης επισκευής των μηχανημάτων, δεν ισχύουν. Για αυτήν την εγγύηση ισχύει το ελληνικό Δίκαιο.

**EN**

The machinery have been manufactured according to strict standards set by our company, which are aligned with the respective european quality standards. The diesel and gasoline powered machines are provided with a warranty period of 24 months for non-professional use and 12 months for professional use. The warranty is valid from the date of purchase of the product. Proof of the warranty right is the purchase document of the machine (retail receipt or invoice). Under no circumstances shall the company cover the relevant cost of spare parts and respective required working hours unless a copy of the purchase document is presented. In case the repair has to be done by our service department the cost of transportation (to and from) is entirely borne by the sender (client). The said machines must be sent for repair to the company or to an authorized workshop in the appropriate way and means of transport.

**WARRANTY EXEMPTIONS AND RESTRICTIONS:**

- 1) Spare parts that wear out naturally as a consequence of being used (blade, chain, recoil starter, spark plug, trimmer line etc.).
- 2) Machinery damaged as a result of non-compliance with the instructions of the manufacturer.
- 3) Machinery poorly maintained or taken care of.
- 4) Use of improper spare parts or accessories.
- 5) Machinery given to third entities free of charge.
- 6) Storing the machine with fuel.
- 7) Damage as a result of mistaken assembly.
- 8) Damage as a result of mixing of fuel with machine oil by mistake.
- 9) Damage as a result of poor quality of fuel or lubricant.
- 10) Damage as a result of not cleaning the generator as required.
- 11) Equipment that has been modified or disassembled by unauthorized personnel.
- 12) Equipment used for rent.

The warranty covers only the free of charge replacement of the component that presents a manufacturing defect or material failure. In case of lack of a specific spare part the company reserves the right to replace the machine with another of the same kind. After all warranty procedures have been concluded, the warranty period of the machine shall not be extended or renewed. Replacement of a spare part with repair charge is covered by a 1 year warranty of good operation, subject to compliance with the warranty terms. The spare parts or machinery that are replaced remain in the possession of our company. Requirements, other than those mentioned in this warranty form, regarding repairing a machine or damage thereof, do not apply. Greek law and relative regulations apply to this warranty.

**FR**

Les machines ont été fabriquées selon les normes strictes établies par notre société et se sont alignées sur les normes de qualité européennes respectives. Les machines à moteur diesel et à essence sont fournies avec une période de garantie de 24 mois pour un usage non professionnel et 12 mois pour une utilisation professionnelle. La garantie est valable à partir de la date d'achat du produit. La preuve du droit à la garantie est le document d'achat de la machine (ticket de caisse ou facture). En aucun cas, la société ne couvrira le coût des pièces de rechange et des heures de travail nécessaires si une copie du document d'achat n'est pas présentée. Si la réparation doit être effectuée par notre service après-vente, les frais de transport (aller et retour) sont entièrement à la charge de l'expéditeur (client). Les machines doivent être envoyées pour réparation à l'entreprise ou à un atelier agréé de la manière et avec le moyen de transport appropriés.

**EXEMPTIONS ET RESTRICTIONS DE GARANTIE :**

- 1) Les pièces de rechange qui s'usent naturellement suite à leur utilisation (lame, chaîne, démarreur à rappel, bougie d'allumage, fil de coupe etc).
- 2) Machines endommagées à la suite du non-respect des instructions du fabricant.
- 3) Machines mal entretenues ou mal soignées.
- 4) Utilisation de pièces de rechange ou d'accessoires inadaptés.
- 5) Machines données à des tiers à titre gratuit.
- 6) Stockage de la machine avec du carburant.
- 7) Dommages résultant d'un montage erroné.
- 8) Dommages résultant du mélange par erreur du carburant avec l'huile de la machine.
- 9) Dommages résultant d'une mauvaise qualité du carburant ou du lubrifiant.
- 10) Dommages résultant d'un nettoyage insuffisant du générateur.
- 11) Équipement qui a été modifié ou démonté par du personnel non autorisé.
- 12) Matériel utilisé pour la location.

La garantie couvre uniquement le remplacement gratuit du composant qui présente un défaut de fabrication ou une défaillance matérielle. En cas d'absence d'une pièce de rechange spécifique, l'entreprise se réserve le droit de remplacer la machine par une autre du même type. Après la conclusion de toutes les procédures de garantie, la période de garantie de la machine ne sera pas prolongée ou renouvelée. Le remplacement d'une pièce détachée avec frais de réparation est couvert par une garantie de bon fonctionnement de 1 an, sous réserve du respect des conditions de garantie. Les pièces de rechange ou les machines remplacées restent en possession de notre société. Les exigences, autres que celles mentionnées dans ce formulaire de garantie, concernant la réparation d'une machine ou de ses dommages, ne sont pas applicables. La loi grecque et ses règlements s'appliquent à cette garantie.

**IT**

Le macchine sono state fabbricate secondo le norme rigorose stabilite dalla nostra azienda, che sono allineate con i rispettivi standard di qualità europei. Le macchine con motore diesel e benzina sono fornite con un periodo di garanzia di 24 mesi per uso non professionale e 12 mesi per uso professionale. La garanzia è valida dalla data di acquisto del prodotto. La prova del diritto di garanzia è il documento di acquisto della macchina (scontrino o fattura). In nessun caso l'azienda coprirà il relativo costo dei pezzi di ricambio e delle rispettive ore di lavoro necessarie se non viene presentata una copia del documento di acquisto. Nel caso in cui la riparazione debba essere effettuata dal nostro servizio di assistenza, il costo del trasporto (da e per) è interamente a carico del mittente (cliente). Le suddette macchine devono essere inviate per la riparazione all'azienda o ad un'officina autorizzata nel modo e nel mezzo di trasporto appropriato.

**ESENZIONI E RESTRIZIONI DELLA GARANZIA:**

- 1) Pezzi di ricambio che si usurano naturalmente a causa dell'uso (lama, catena, auto avvolgente, candela, filo del trimmer, ecc.)
- 2) Macchine danneggiate a causa del mancato rispetto delle istruzioni del fabbricante.
- 3) Macchina sottoposta a scarsa manutenzione o cura.
- 4) Utilizzo di pezzi di ricambio o accessori inadeguati.
- 5) Macchina ceduta a terzi a titolo gratuito.
- 6) Conservazione della macchina con carburante.
- 7) Danni causati da un montaggio errato.
- 8) Danni dovuti alla miscelazione per errore del carburante con l'olio della macchina.
- 9) Danni causati dalla cattiva qualità del carburante o del lubrificante.
- 10) Danni causati dalla mancata pulizia del generatore come richiesto.
- 11) Apparecchiature che sono state modificate o smontate da personale non autorizzato.
- 12) Apparecchiature utilizzate per il noleggio.

La garanzia copre solo la sostituzione gratuita del componente che presenta un difetto di fabbricazione o di materiale. In caso di mancanza di un pezzo di ricambio specifico, l'azienda si riserva il diritto di sostituire la macchina con un'altra dello stesso tipo. Una volta concluse tutte le procedure di garanzia, il periodo di garanzia della macchina non potrà essere esteso o rinnovato. La sostituzione di un pezzo di ricambio con spese di riparazione è coperta da una garanzia di 1 anno di buon funzionamento, a condizione che vengano rispettati i termini della garanzia. I pezzi di ricambio o le macchine sostituite rimangono in possesso della nostra società. I requisiti, diversi da quelli menzionati in questo modulo di garanzia, riguardanti la riparazione di una macchina o il suo danneggiamento, non sono applicabili. La legge greca e i relativi regolamenti si applicano a questa garanzia.

**AL**

Makineritë janë prodhuar sipas standardeve strikte të vendosura nga kompania jonë, të cilat janë në përputhje me standardet përkatëse të cilësisë evropiane. Makinat me naftë dhe benzinë janë të pajisura me një periudhë garancie prej 24 muajsh për përdorim jo profesional dhe 12 muaj për përdorim profesional. Garancia është e vlefshme nga data e blerjes së produktit. Prova e së drejtës së garancisë është dokumenti i blerjes së makinës (faturë ose faturë me pakicë). Në asnjë rrethanë ndërmarrja nuk mbulon koston përkatëse të pjesëve të këmbimit dhe orarin përkatës të kërkuar të punës, përveç kur është paraqitur një kopje e dokumentit të blerjes. Në rast se riparimi duhet të bëhet nga departamenti ynë i shërbimit kostoja e transportit (për dhe nga) është tërësisht e mbajtur nga dërguesi (klienti). Makinat e thëna duhet të dërgohen për riparim në ndërmarrje ose në një punishte të autorizuar në mënyrën dhe mjetet e duhura të transportit.

**PËRJASHTIMET DHE KUFIZIMET E GARANCISË:**

- 1) Pjesët rezervë që përdoren në mënyrë natyrale si pasojë e të qënit e përdorur (tehu, zinxhiri, tingëllimi, prizat e shkëndijës, vija e trimerit etj.).
- 2) Makineritë e dëmtuara si rezultat i mosrespektimit të udhëzimeve të prodhuesit.
- 3) Makineritë e mirëmbajtura keq ose të kujdesura për të.
- 4) Përdorimi i pjesëve të papërshtatshme të këmbimit ose aksesoreve.
- 5) Makineritë që u jepen enteve të treta pa pagesë.
- 6) Magazinimi i makinës me karburant.
- 7) Dëmtimi si rezultat i mbledhjes së gabuar.
- 8) Dëmtimi si pasojë e përzjerjes së karburantit me vajin e makinës gabimisht.
- 9) Dëmtimi si rezultat i cilësisë së dobët të karburantit ose lubrifikantit.
- 10) Dëmtimi si pasojë e mospastrimit të gjeneratorit sipas nevojës.
- 11) Pajisje që janë modifi kuar ose çmontuar nga personel i paautorizuar.
- 12) Pajisje që përdoren me qira.

Garancia mbulon vetëm zëvendësimin pa pagesë të komponentit që paraqet një defekt prodhues ose dështim material. Në rast të mungesës së një pjese rezervë specifike kompania rezervon të drejtën për të zëvendësuar makinën me një tjetër të të njëjtit lloj. Pasi të jenë përfunduar të gjitha procedurat e garancisë, periudha e garancisë së makinës nuk do të zgjatet ose të rinovohet. Zëvendësimi i një pjese rezervë me pagesë riparimi mbulohet nga një garanci 1 vjeçare e një operacioni të mirë, subjekt i përputhjes me kushtet e garancisë. Pjesët rezervë ose makineritë që zëvendësohen mbeten në zotërim të kompanisë sonë. Kërkesat, përveç atyre të përmendura në këtë formë garancie, në lidhje me riparimin e një makine ose dëmtimin e saj, nuk zbatohen. Ligji grek dhe rregullat relative zbatohen për këtë garancia.

**SRB**

Mašine su proizvedene po strogim standardima koje je postavila naša kompanija, a koji su usklađeni sa odgovarajućim evropskim standardima kvaliteta. Mašinama na dizel i benzin obezbeđen je garantni rok od 24 meseca za neprogllašavanje i 12 meseca za profesionalnu upotrebu. Garancija važi od dana kupovine proizvoda. Dokaz o pravnu garancije je dokument o nabavci mašine (prijemnica u maloprodaji ili faktura). Ni pod kojim uslovima preduzeće neće pokriti relevantne troškove rezervnih delova i odgovarajuće potrebno radno vreme ukoliko nije predstavljena kopija dokumenta o nabavci. U slučaju da popravku mora da obavni naše odeljenje servisa troškovi transporta (do i od) u potpunosti snose pošiljaoca (klijenta). Rečeno mašine moraju biti poslate na popravku u preduzeće ili u ovlašćenu radionicu na odgovarajući način i način transporta.

**GARANTNA IZUZEĆA I OGRANIČENJA:**

- 1) Rezervni delovi koji se istroše prirodnim putem kao posledica upotrebe (sečivo, lanac, trzaj startera, svećica, linija trimera itd.).
- 2) Mašinerije oštećene kao rezultat nepoštovanja uputstava proizvođača.
- 3) Mašinerija loše održavana ili zbrinuta.
- 4) Upotreba nepravilnih rezervnih delova ili pribora.
- 5) Mašinerija data trećim entitetima besplatno.
- 6) Skladištenje mašine gorivom.
- 7) Šteta kao rezultat greške u montaži.
- 8) Šteta kao posledica mešanja goriva sa mašinskim uljem greškom.
- 9) Šteta kao posledica lošeg kvaliteta goriva ili lubrikanta.
- 10) Šteta kao posledica neisceljenja generatora po potrebi.
- 11) Oprema koju je neovlašćeno osoblje modifikovalo ili rastavalo.
- 12) Oprema koja se koristi za iznajmljivanje.

Garancija pokriva samo besplatnu zamenu komponente koja predstavlja nedostatak proizvodnje ili kvar materijala. U slučaju nedostatka određenog rezervnog dela preduzeće zadržava pravo da zameni mašinu drugom istom vrstom. Nakon zaključenja svih garantnog postupka, garantni rok mašine neće biti produžen niti obnovljen. Rezervni delovi ili mašinerije koje se zamenjuju ostaju u posedu naše firme. Zamenjena rezervnog dela naknadom za popravku pokrivena je jednogodišnjom garancijom dobrog rada, koja podleže poštovanju uslova garancije. Zahtevi, osim onih koji su pomenuti u ovom garantnog obrascu, u vezi sa popravkom mašine ili oštećenjem, ne primenjuju se. Grčki zakon i relativni propisi odnose se na ovu garanciju.

EN

## WARRANTY

This appliance is a quality product. It was designed in compliance with current technical standards and made carefully using normal, good quality materials. The warranty period is 24 months for non-professional use and 12 months for professional use and commences on the date of purchase, which can be verified by the receipt, invoice or delivery note. During this warranty period all functional errors, which, despite the careful treatment described in our operating manual, are verifiably due to material flaws, will be rectified by our after-sales service staff. The warranty takes the form that defective parts will be repaired or replaced with perfect parts free of charge at our discretion. Replaced parts will become our property. Repair work or the replacement of individual parts will not extend the warranty period nor will it result in a new warranty period being commenced for the appliance. No separate warranty period will commence for spare parts that may be used. We cannot offer a warranty for damage and defects on appliances or their parts caused by the use of excessive force, improper treatment and servicing. This also applies for failures to comply with the operating manual and the installation or spare and accessory parts that are not included in our range of products. In the event of interference with or modifications to the appliance by unauthorized persons, the warranty will be rendered void. Damages that are attributable to improper handling, over loading, or natural wear and tear are excluded from the guarantee. Damages caused by the manufacturer or by a material defect will be corrected at no charge by repair or by providing spare parts. The prerequisite is that the equipment is handed over assembled, and complete with the proof of sale and guarantee. For a guarantee claim, only use the original packaging. That way, we can guarantee quick and smooth guarantee processing. Please send us the appliances post-paid or request a Freeway sticker. Unfortunately we will be unable to accept appliances that are not postpaid. The warranty does not cover parts that are subject to natural wear and tear. If you wish to make a warranty claim, report faults or order spare parts or accessories, please contact the after-sales center: Subject to change without prior notice.

DE

## GARANTIE

Dieses Gerät ist ein Qualitätsprodukt. Es wurde gemäß den aktuellen technischen Standards entworfen und sorgfältig mit normalen, hochwertigen Materialien hergestellt. Die Garantiezeit beträgt 24 Monate bei nicht-professioneller Nutzung und 12 Monate bei professioneller Nutzung und beginnt mit dem Kaufdatum, was anhand von Quittung, Rechnung oder Lieferschein überprüft werden kann. Während dieser Garantiezeit werden alle Funktionsfehler, die trotz der in unserer Bedienungsanleitung beschriebenen sorgfältigen Behandlung nachweislich auf Materialfehler zurückzuführen sind, von unseren Kundendienstmitarbeitern behoben. Die Garantie besteht in der Form, dass defekte Teile nach unserem Ermessen kostenlos repariert oder durch einwandfreie Teile ersetzt werden. Ersetzte Teile werden unser Eigentum. Reparaturarbeiten oder der Austausch einzelner Teile verlängern die Garantiezeit nicht und führen nicht zu einer neuen Garantiezeit für das Gerät. Für eventuell verbrauchte Ersatzteile beginnt keine gesonderte Gewährleistungsfrist. Wir können keine Garantie für Schäden und Mängel an Geräten oder deren Teilen geben, die durch übermäßige Gewaltanwendung, unsachgemäße Behandlung und Wartung verursacht wurden. Dies gilt auch für die Nichtbeachtung der Bedienungsanleitung und der Montage- oder Ersatz- und Zubehörteile, die nicht in unserem Sortiment enthalten sind. Bei Eingriffen in die Änderung durch unbefugte Personen am Gerät erlischt die Garantie. Schäden, die auf unsachgemäße Behandlung, Überlastung oder natürliche Abnutzung zurückzuführen sind, sind von der Garantie ausgeschlossen. Schäden, die vom Hersteller oder durch einen Materialfehler verursacht werden, werden durch Reparatur oder Ersatzteillieferung kostenlos behoben. Voraussetzung ist, dass das Gerät zusammen mit dem Verkaufsbeleg und der Garantie zusammengebaut übergeben wird. Verwenden Sie für einen Garantieanspruch nur die Originalverpackung. Auf diese Weise können wir eine schnelle und reibungslose Garantieabwicklung garantieren. Bitte schicken Sie uns die Geräte im Nachhinein oder fordern Sie einen Freeway-Aufkleber an. Geräte, die nicht nachbezahlt werden, können wir leider nicht akzeptieren. Die Garantie erstreckt sich nicht auf Teile, die einem natürlichen Verschleiß unterliegen. Wenn Sie einen Garantieanspruch geltend machen, Fehler melden oder Ersatzteile oder Zubehör bestellen möchten, wenden Sie sich bitte an das Kundendienstcenter: Änderungen vorbehalten.

FR

## GARANTIE

Cet appareil est un produit de qualité. Il a été conçu conformément aux normes techniques en vigueur et fabriqué avec soin à l'aide de matériaux usuels et de qualité. La période de garantie est de 24 mois pour une utilisation non professionnelle et 12 mois pour une utilisation professionnelle et débute à la date d'achat. Elle peut être vérifiée sur le reçu, la facture ou le bon de livraison. Pendant cette période de garantie, toutes les erreurs de fonctionnement qui, malgré le traitement minutieux décrit dans notre manuel d'utilisation, sont dues à des défauts matériels, seront corrigées par notre service après-vente. La garantie prend la forme que les pièces défectueuses seront réparées ou remplacées par des pièces parfaites gratuitement à notre discrétion. Les pièces remplacées deviendront notre propriété. Les travaux de réparation ou le remplacement de pièces individuelles ne prolongeront pas la période de garantie et n'entraîneront pas le début d'une nouvelle période de garantie pour l'appareil. Aucune période de garantie séparée ne commencera pour les pièces de rechange susceptibles d'être utilisées. Nous ne pouvons pas offrir de garantie pour les dommages et les défauts des appareils ou de leurs pièces causés par l'utilisation d'une force excessive, un traitement ou un entretien inapproprié. Ceci s'applique également aux cas de non-respect du manuel d'utilisation et de l'installation ou des pièces détachées et accessoires non compris dans notre gamme de produits. En cas d'interférence avec des modifications apportées à l'appareil par des personnes non autorisées, la garantie sera annulée. Les dommages résultant d'une mauvaise manipulation, d'un chargement excessif ou d'une usure naturelle sont exclus de la garantie. Les dommages causés par le fabricant ou par un défaut matériel seront corrigés gratuitement par la réparation ou par la fourniture de pièces de rechange. La condition préalable est que le matériel soit remis assemblé et accompagné de la preuve de vente et de la garantie. Pour une demande de garantie, utilisez uniquement l'emballage d'origine. De cette manière, nous pouvons garantir un traitement rapide et sans heurts des garanties. S'il vous plaît envoyez-nous les appareils post-payés ou demandez un autocollant Freeway. Malheureusement, nous ne pourrions pas accepter les appareils non post-payés. La garantie ne couvre pas les pièces soumises à une usure naturelle. Si vous souhaitez faire une demande de garantie, signaler un défaut ou commander des pièces de rechange ou des accessoires, veuillez contacter le service après-vente: Sujet à modification sans préavis.

ESP

## GARANTÍA

Este aparato es un producto de calidad. Fue diseñado de acuerdo con las normas técnicas actuales y se hizo con cuidado utilizando materiales normales y de buena calidad. El período de garantía es de 24 meses para uso no profesional y de 12 meses para uso profesional y comienza en la fecha de compra, que puede verificarse mediante el recibo, la factura o la nota de entrega. Durante este período de garantía, todos los errores funcionales que, a pesar del tratamiento cuidadoso que se describen en nuestro manual de operación, son verificables debido a fallas materiales, serán corregidos por nuestro personal de servicio postventa. La garantía adquiere la forma de que las piezas defectuosas se repararán o reemplazarán con piezas perfectas de forma gratuita a nuestra discreción. Las partes reemplazadas se convertirán en nuestra propiedad. Los trabajos de reparación o el reemplazo de piezas individuales no ampliarán el período de garantía, no dará lugar a que se comience un nuevo período de garantía para el aparato. No se iniciará ningún período de garantía por separado para las piezas de repuesto que puedan ser utilizadas. No podemos ofrecer una garantía por daños y defectos en los aparatos o sus partes causados por el uso excesivo de la fuerza, el tratamiento y el servicio incorrectos. Esto también se aplica a las fallas en el cumplimiento del manual de operación y la instalación o piezas de repuesto y accesorios que no están incluidos en nuestra gama de productos. En caso de interferencia con modificaciones al aparato por parte de personas no autorizadas, la garantía quedará anulada. Los daños que son atribuibles a un manejo inadecuado, sobrecarga o desgaste natural están excluidos de la garantía. Los daños causados por el fabricante o por un defecto de material se corregirán sin costo alguno por reparación o proporcionando piezas de repuesto. El requisito previo es que el equipo se entregue ensamblado y se complete con el comprobante de venta y garantía. Para una reclamación de garantía, utilice únicamente el embalaje original. De esta manera, podemos garantizar un rápido y suave procesamiento de garantías. Por favor, envíenos los electrodomésticos con pospago o solicite una etiqueta de Freeway. Lamentablemente, no podremos aceptar aparatos que no sean de pospago. La garantía no cubre las piezas que están sujetas a desgaste natural. Si desea realizar un reclamo de garantía, informar fallas o solicitar piezas de repuesto o accesorios, comuníquese con el centro de postventa: Sujeto a cambios sin previo aviso.

## IT

### GARANZIA

Questo apparecchio è un prodotto di qualità. È stato progettato in conformità con le attuali norme tecniche e realizzato con attenzione utilizzando materiali normali di buona qualità. Il periodo di garanzia è di 24 mesi per uso non professionale e di 12 mesi per uso professionale e decorre dalla data di acquisto, che può essere verificata tramite ricevuta, fattura o bolla di consegna. Durante questo periodo di garanzia tutti gli errori funzionali, che, nonostante l'accurato trattamento descritto nel nostro manuale operativo, sono verificabili a causa di difetti dei materiali, verranno risolti dal nostro personale di assistenza post-vendita. La garanzia assume la forma che le parti difettose saranno riparate o sostituite con parti perfette gratuitamente a nostra discrezione. Le parti sostituite diventeranno di nostra proprietà. I lavori di riparazione o la sostituzione di singole parti non prolungheranno il periodo di garanzia, poiché non si verificherà un nuovo periodo di garanzia per l'apparecchio. Non inizierà alcun periodo di garanzia separato per i pezzi di ricambio che possono essere utilizzati. Non possiamo offrire una garanzia per danni e difetti su apparecchi o loro parti causati dall'uso di forza eccessiva, trattamento e manutenzione inadeguati. Ciò vale anche per il mancato rispetto del manuale operativo e delle parti di installazione o di ricambio e accessori non inclusi nella nostra gamma di prodotti. In caso di interferenza con modifiche all'apparecchio da parte di persone non autorizzate, la garanzia sarà invalidata. Sono esclusi dalla garanzia i danni riconducibili a uso improprio, sovraccarico o usura naturale. I danni causati dal produttore o da un difetto materiale verranno corretti gratuitamente mediante riparazione o fornitura di pezzi di ricambio. Il presupposto è che l'attrezzatura sia consegnata assemblata e completa con la prova di vendita e garanzia. Per una richiesta di garanzia, utilizzare solo la confezione originale. In questo modo, possiamo garantire un'elaborazione della garanzia rapida e agevole. Vi preghiamo di inviarci gli elettrodomestici post-pagamento o richiedere un adesivo Freeway. Purtroppo non saremo in grado di accettare apparecchi che non sono postpagati. La garanzia non copre parti soggette a usura naturale. Se si desidera presentare una richiesta di intervento in garanzia, segnalare guasti o ordinare pezzi di ricambio o accessori, contattare il centro assistenza: soggetto a modifiche senza preavviso.

## SLO

### GARANCIJA

Ta aprava je kakovosten izdelek. Zasnovan je bil v skladu z veljavnimi tehničnimi standardi in skrbno izdelan z običajnimi, kakovostnimi materiali. Garancijsko obdobje je 24 mesecev za neprofesionalno uporabo in 12 mesecev za profesionalno uporabo in se začne na dan nakupa, ki ga je mogoče preveriti s potrdilom o prejemu, računom ali dobavnico. V času garancijskega roka bodo vse funkcionalne napake, ki so kljub skrbni obdelavi, opisani v naših navodilih za uporabo, preverljive zaradi materialnih napak, odpravile naše servisno osebje. Garancija prevzame obliko, da bodo okvarjeni deli po lastni presoji brezplačno popravljene ali zamenjane z brezhibnimi deli. Zamenjani deli bodo postali naša last. Popravila ali zamenjava posameznih delov ne podaljšujejo garancijskega roka, dokler ne začne veljati nova garancijska doba za napravo. Za rezervne dele, ki se lahko pojavijo, se ne bo začelo ločeno garancijsko obdobje. Ne moremo ponuditi garancije za poškodbe in napake na napravah ali njihovih delih zaradi uporabe prekomerne sile, nepravilne obdelave in servisiranja. To velja tudi za neupoštevanje navodil za uporabo in namestitve ali rezervnih delov in dodatkov, ki niso vključeni v našo paleto izdelkov. V primeru motenj v napravi s strani nepooblaščenih oseb, se garancija razveljavi. Poškodbe, ki so posledica nepravilnega ravnanja, obremenitve ali naravne obrabe, so izključene iz garancije. Poškodbe, ki jih povzroči proizvajalec ali materialna napaka, se bodo popravile ali popravile z zagotavljanjem rezervnih delov. Predpogoj je, da se oprema preda sestavljena in skupaj z dokazilom o prodaji in garancijo. Za garancijski zahtevek uporabite samo originalno embalažo. Tako lahko zagotovimo hitro in gladko obdelavo garancij. Prosimo, pošljite nam naprave po plačilu ali zahtevajte nalepko za Freeway. Na žalost ne bomo mogli sprejeti naprav, ki niso postpaid. Garancija ne zajema delov, ki so predmet naravne obrabe. Če želite vložiti zahtevek za garancijo, prijaviti napake ali naročiti nadomestne dele ali dodatno opremo, se obrnite na spodnji prodajni center: Pridržujemo si pravico do sprememb brez predhodnega obvestila.

## MLT

### GARANYIJA

Dan l-apparat huwa prodott ta 'kwalità. Kienet imfassla f'konformità mal-istandards tekniċi attwali u saret b'attenzjoni bl-użu ta 'materjali normali u ta' kwalità tajba. Il-perjodu tal-garanzija huwa ta '24 xahar għal użu mhux professjonali u 12-il xahar għall-użu professjonali u jibda fid-data tax-xiri, li jista' jiġi vverifikat bir-riċevuta, fattura jew nota tal-kunsinna. Matul dan il perjodu ta 'garanzija l-iżbalji funzjonali kollha, li, minkejja t-trattament bir-reqq deskritt fil-manwal operattiv tagħna, huma verifikabbli minħabba difetti materjali, se jiġu kkoreġuti mill-istaff tagħna tas-servizz ta' wara l-bejgħ. Il-garanzija tiegħu l-forma li partijiet difettużi se jissewewew jew jiġu sostitwiti bi partijiet perfetti bla ħlas fid-diskreżjoni tagħna. Partijiet mibdula jsiru proprjetà tagħna. Ix-xogħol ta 'tiswija jew is-sostituzzjoni ta' partijiet individwali ma jestendux il-perjodu ta 'garanzija mhux se jirriżulta f'li jibda perjodu ġdid ta' garanzija għall-apparat. Ma jibda l-ebda perjodu ta 'garanzija separat għal spare parts li jistgħu jiġu ted. Ma nistgħux noffru garanzija għal ħsara u difetti fuq l-apparat jew il-partijiet tagħhom ikkawżati mill-użu ta 'forza eċċessiva, trattament mhux xieraq u manutenzjoni. Dan japplika wkoll għal nuqqasijiet ta 'konformità mal-manwal tat-thaddim u l-installazzjoni jew partijiet ta' rikambju u aċċessorji li mhumiex inkluzi fil-firxa ta 'prodotti tagħna. Fil-każ ta 'interferenza ma' modifiki fl-apparat minn persuni mhux awtorizzati, il-garanzija ssir nulla. Ħsarat li huma attribwiti għal immaniġġjar hażin, tagħbija żejda, jew xedd u kedd naturali huma esklużi mill-garanzija. Danni kkawżati mill-manifattur jew minn difett materjali se jiġu kkoreġuti mingħajr ħlas permezz ta 'tiswija jew billi jiġu pprovduti spare parts. Il-pre-ekwiżit huwa li t-tagħmir jiġi mgħoddi immuntat, u komplut bil-prova tal-bejgħ u l-garanzija. Għal talba ta 'garanzija, uża biss l-imballaġġ originali. B'dan il-mod, nistgħu niggarantixxu proċessar ta 'garanzija malajr u bla xkiel. Jekk jogħġbok ibgħatilna l-appliances post-paid jew itlob stiker tal-Freeway. Sfortunatament ma nkunux nistgħu naċċettaw apparat li ma jithallasx wara. Il-garanzija ma tkoprix partijiet li huma soġġetti għal ilbies u kedd naturali. Jekk tixtieq tagħmel talba għall-garanzija, irrapporta ħsarat jew tordna spare parts jew aċċessorji, jekk jogħġbok ikkuntatt ja ċ-ċentru ta'wara l-bejgħ: Soġġett għal bidla mingħajr avviż minn qabel.

## SK

### ZÁRUKA

Tento spotřebič je kvalitní výrobek. Bol navrhnutý v súlade s platnými technickými normami a opatrne používal bežné a kvalitné materiály. Záručná doba je 24 mesiacov na neprofesionálne použitie a 12 mesiacov na profesionálne použitie a začína plynúť dátumom nákupu, ktorý je možné overiť potvrdením, faktúrou alebo dodacím listom. Počas tejto záručnej lehoty všetky funkčné chyby, ktoré napriek starostlivej úprave popísanej v našom návode na obsluhu sú overiteľné z dôvodu materiálnych nedostatkov, opravia naši pracovníci popredajného servisu. Záruka má formu, že vadné časti budú opravené alebo nahradené perfektnými dielmi bezplatne podľa nášho uváženia. Nahradené diely sa stanú našimi vlastnosťami. Opravné práce alebo výmena jednotlivých dielov predĺženie záručnej lehoty nevedie k vzniku novej záručnej lehoty pre spotrebič. Za náhradné diely, ktoré môžu byť dodané, sa nezačína samostatná záručná lehota. Nemôžeme ponúknuť záruku na poškodenie a poškodenie spotrebičov alebo ich častí spôsobené nadmernou silou, nesprávnou obsluhou a servisom. Platí to aj pre poruchy v súlade s návodom na obsluhu a inštaláciou alebo náhradnými dielmi a príslušenstvom, ktoré nie sú súčasťou našej ponuky. V prípade zásahu do modifikácie spotrebiča neoprávnenými osobami sa záruka stane neplatnou. Škody, ktoré sú spôsobené nesprávnou manipuláciou, nadmerným zaťažením alebo prirodzeným opotrebovaním, sú z záruky vylúčené. Škody spôsobené výrobcom alebo chybou materiálu budú opravené bezplatne opravou alebo poskytnutím náhradných dielov. Predpokladom je, že zariadenie je odovzdané a kompletné s dokladom o predaji a zárukou. Pokiaľ ide o nárok na záruku, použite iba pôvodný obal. Týmto spôsobom môžeme zaručiť rýchle a plynulé spracovanie záruky. Pošlite nám, prosím, spotrebiče, ktoré ste už zaplatili, alebo požiadajte o nálepku Freeway. Bohužiaľ nebudeme môcť prijať zariadenia, ktoré nie sú vyplatené. Záruka sa nevzťahuje na časti, ktoré sú vystavené prirodzenému opotrebovaniu. Ak chcete požiadať o záruku, oznámiť chyby alebo objednať náhradné diely alebo príslušenstvo, obráťte sa na nižšie uvedené stredisko popredajného servisu: Podliehajú zmenám bez predchádzajúceho upozornenia.

BG

## ГАРАНЦИЯ

Този уред е качествен продукт. Той е проектиран в съответствие с действащите технически стандарти и е направен внимателно при използване на нормални, качествени материали. Гаранционният срок е 24 месеца за непрофесионално ползване и 12 месеца за професионална употреба започва да тече от датата на покупката, която може да бъде потвърдена с квитанция, фактура или документ за доставка. По време на този гаранционен период всички функционални грешки, които, въпреки внимателното третиране, описано в нашето ръководство за експлоатация, са проверими поради материални недостатъци, ще бъдат отстранени от нашия сервизен персонал. Гаранцията приема формата, в която дефектните части ще бъдат ремонтирани или заменени с перфектни части безплатно по наше усмотрение. Подменените части ще станат наша собственост. Ремонтните работи или подмяната на отделни части няма да удължат гаранционния срок, без това да доведе до започване на нов гаранционен период за уреда. За резервни части, които могат да бъдат поставени, няма да започне отделен гаранционен срок. Не можем да предложим гаранция за повреди и дефекти на уредите или техните части, причинени от използването на прекомерна сила, неправилно третиране и обслужване. Това важи и за неспазване на ръководството за експлоатация и инсталацията, както и резервни и допълнителни части, които не са включени в нашата гама от продукти. В случай на намеса в модификации на уреда от неупълномощени лица, гаранцията ще бъде премахната. Щети, които се дължат на неправилно боравене, натоварване или естествено износване, са изключени от гаранцията. Щети, причинени от производителя или от дефект на материала, ще бъдат поправени без заплащане чрез ремонт или чрез предоставяне на резервни части. Предпоставка е оборудването да се съблява и да се допълни с доказателство за продажба и гаранция. За гаранционна претенция използвайте само оригиналната опаковка. По този начин можем да гарантираме бърза и гладка обработка на гаранциите. Моля, изпратете ни уредите след плащане или заявете стикер на Freeway. За съжаление няма да можем да приемаме уреди, които не са с абонамент. Гаранцията не покрива части, които са обект на естествено износване. Ако желаете да направите гаранционна претенция, да съобщите за неизправности или да поръчате резервни части или аксесоари, моля свържете се с центъра за поддръжка: Подлежи на промяна без предизвестие.

RO

## ГARANȚIE

Acest aparat este un produs de calitate. A fost proiectat în conformitate cu standardele tehnice actuale și a făcut cu atenție materiale normale, de bună calitate. Perioada de garanție este de 24 de luni pentru uz neprofesionist și de 12 luni pentru uz profesional și începe la data cumpărării, care poate fi verificată prin chitanță, factură sau buletin de livrare. În timpul acestei perioade de garanție, toate erorile funcționale, care, în ciuda tratamentului atent descris în manualul nostru de utilizare, sunt verifiabile din cauza defectelor materiale, vor fi rectificate de personalul nostru de service post-vânzare. Garanția ia forma faptului că piesele defecte vor fi reparate sau înlocuite cu piese perfecte gratuit, la discreția noastră. Piesele înlocuite vor deveni proprietatea noastră. Lucrările de reparații sau înlocuirea pieselor individuale nu vor prelungi perioada de garanție, deoarece nu vor duce la începerea unei noi perioade de garanție pentru aparat. Nu se va începe nici o perioadă de garanție separată pentru piesele de schimb care pot fi incluse. Nu putem oferi o garanție pentru defecțiunile și defectele aparatelor sau ale pieselor acestora cauzate de utilizarea forței excesive, tratarea necorespunzătoare și întreținerea. Acest lucru se aplică și în caz de nerespectare a manualului de utilizare și a pieselor de instalare sau de rezervă și accesoriilor care nu sunt incluse în gama noastră de produse. În caz de interferență cu mod-uri care aduc aparatului de către persoane neautorizate, garanția va fi anulată. Daunele care pot fi atribuite manipulării necorespunzătoare, supraîncălzirii sau uzurii naturale sunt excluse din garanție. Deteriorările cauzate de producător sau de un defect material vor fi corectate gratuit, prin reparații sau prin furnizarea de piese de schimb. Condiția prealabilă este ca echipamentul să fi predat în asamblare și să fi completat cu dovada vânzării și a garanției. Pentru o cerere de garanție, utilizați numai ambalajul original. În acest fel, putem garanta pro-cesarea rapidă și fără probleme a garanției. Trimiteți-ne aparatele post-plăți sau solicitați un autocolant Freeway. Din păcate, nu vom putea accepta dispozitive care nu sunt plătiți postpaid. Garanția nu acoperă piese care sunt supuse uzurii naturale. Dacă doriți să solicitați o garanție, să semnalați defecțiunile sau să comandați piese de schimb sau accesorii, vă rugăm să contactați centrul de asistență tehnică: Pot fi modificate fără o noti-ficatie prealabilă.

NMK

## ГАРАНЦИЈА

Овој уред е квалитетен производ. Дизајниран е во согласност со тековните технички стандарти и направен е внимателно со употреба на нормални, квалитетни материјали. Гарантниот период е 24 месеци за непрофесионална употреба и 12 месеци за професионална употреба и започнува на датумот на купување, што може да се потврди со потврда, фактура или испратница. За време на овој гарантен период, сите функционални грешки, кои, и покрај внимателниот третман опишан во нашето упатство за работа, се проверливи поради материјални недостатоци, ќе бидат поправени од нашиот персонал по продажбата. Гаранцијата има форма дека неисправните делови ќе бидат поправени или заменети со совршени делови бесплатно по наша дискреција. Заменетите делови ќе станат наша сопственост. Работата за поправка или замената на поединечни делови нема да го продолжи гарантниот период и нема да резултира со започнување на нов гарантен период за апаратот. Нема да започне посебен гарантен период за резервните делови што може да се тераат. Не можеме да понудиме гаранција за оштетувања и дефекти на апаратите или нивните делови предизвикани од употреба на прекумерна сила, несоодветен третман и сервисирање. Ова исто така важи и за неусогласеност со упатството за работа и инсталацијата или резервните и дополнителните делови кои не се вклучени во нашата палета на производи. Во случај на мешање на модификации на апаратот од страна на неовластени лица, гаранцијата ќе се поништи. Штетите што се припишуваат на неправилно ракување, прекумерно оптоварување или природно абеење се исклучени од гаранцијата. Штетите предизвикани од производителот или од материјален дефект ќе се коригираат бесплатно со поправка или со обезбедување резервни делови. Предуслов е опремата да биде предадена склопена, и комплетна со доказ за продажба и гаранција. За гаранција, користете го само оригиналното пакување. На тој начин, можеме да гарантираме брза и непречена обработка на гаранциите. Ве молиме испратете ни ги апаратите пост-пејд или побарајте налепница за автопат. За жал, нема да можеме да прифатиме апарати што не се постпејд. Гаранцијата не опфаќа делови кои се предмет на природно абеење и кинење. Доколку сакате да поднесете барање за гаранција, да пријавите дефекти или да нарачате резервни делови или додатоци, ве молиме контактирајте го постпродажниот центар подолу: Може да се промени без претходна најава.

HUN

## ГARANCIA

Ez a készülék minőségi termék. Úgy tervezték, hogy megfeleljen a jelenlegi műszaki szabványoknak, és gondosan, normál, jó minőségű anyagokkal készült. A jótállási idő nem professzionális használat esetén 24 hónap, szakmai használat esetén 12 hónap, és a vásárlás napján kezdődik, amelyet a kézhezvétellel, a számla vagy a kézbesítési értesítés igazolhat. A garanciaidő alatt minden olyan funkcionális hiba, amely az üzemeltetési utasításunkban leírt gondos kezelés ellenére bizonyíthatóan az anyaghibák miatt következik be, a vevőszolgálatunk javítja. A garancia olyan formája, hogy a hibás alkatrészek javítása vagy cseréje a tökéletes alkatrészekkel ingyenes. A cserélt részek tulajdonunk lesz. A javítási munkák vagy az egyes részek cseréje nem hosszabbítja meg a jótállási időszakot, és nem eredményez új garanciaidő megkezdését a készülék számára. Nincs külön garanciaidő a pótalkatrészek esetén. Nem nyújtunk garanciát a készülékek vagy alkatrészeik károsodására és hibáira a túlzott erő, a helytelen kezelés és a karbantartás miatt. Ez vonatkozik az üzemeltetési utasítás és a telepítés, illetve a tartalék és tartozék alkatrészeinek meg nem felelésére is, amelyek nem tartoznak a termékínálatunkba. Abban az esetben, ha a készülék jogosulatlan személy általi módosításai zavarnak, a garancia érvényét veszti. A nem megfelelő kezelés, a terhelés vagy a természetes kopás okozta károk nem tartoznak a garancia hatálya alá. A gyártó vagy az anyaghiba által okozott károkat a javítás vagy a pótalkatrészek beszerzése nélkül kijavítják. Az előfeltétel az, hogy a berendezést összeszerelték, és az értékesítés és a garancia igazolásával kiegészüljön. A garancia igényléséhez csak az eredeti csomagolást használja. Így garantálhatjuk a gyors és zökkenőmentes garanciafeldolgozást. Kérjük, küldje el nekünk a készüléket utólag fizetett vagy kérjen Freeway matricát. Sajnos nem tudjuk elfogadni a nem utólag fizetett készülékeket. A garancia nem terjed ki a természetes kopásnak kitett alkatrészekre. Ha garanciális igényt kíván nyújtani, hibákat jelenteni vagy pótalkatrészeket vagy tartozékokat rendelni, kérjük, vegye fel a kapcsolatot az alábbi értékesítési központtal: Előzetes értesítés nélkül változhat.

POL

## GWARANCJA

To urządzenie jest produktem wysokiej jakości. Został zaprojektowany zgodnie z aktualnymi standardami technicznymi i wykonany starannie przy użyciu zwykłych, dobrej jakości materiałów. Okres gwarancji wynosi 24 miesiące w przypadku użytku nieprofesjonalnego i 12 miesięcy w przypadku użytku profesjonalnego i rozpoczyna się w dniu zakupu, który można zweryfikować za pomocą paragonu, faktury lub dowodu dostawy. W okresie gwarancji wszystkie błędy funkcjonalne, które pomimo starannego traktowania opisanego w naszej instrukcji obsługi, są weryfikowalne przez wady materiałowe, zostaną naprawione przez nasz personel obsługi posprzedażnej. Gwarancja ma formę, w której wadliwe części zostaną naprawione lub wymienione na części zamiennie bezpłatnie według naszego uznania. Wymienione części staną się naszą własnością. Naprawa lub wymiana pojedynczych części nie przedłuży okresu gwarancji, nie spowoduje to rozpoczęcia nowego okresu gwarancyjnego dla urządzenia. Nie rozpocznie się oddzielny okres gwarancji na części zamiennie, które mogą być używane. Nie możemy zaoferować gwarancji na uszkodzenia i usterki urządzeń lub ich części spowodowane użyciem nadmiernej siły, niewłaściwego traktowania i serwisowania. Dotyczy to również nieprzestrzegania instrukcji obsługi i instalacji lub części zamiennych i akcesoriów, które nie są zawarte w naszej ofercie produktów. W przypadku ingerencji w modyfikacje urządzenia przez osoby nieuprawnione, gwarancja zostanie unieważniona. Szkody, które można przypisać niewłaściwej obsłudze, nadmiernemu obciążeniu lub naturalnemu zużyciu, są wyłączone z gwarancji. Uszkodzenia spowodowane przez producenta lub wadę materiałową zostaną naprawione bezpłatnie przez naprawę lub przez dostarczenie części zamiennych. Warunkiem wstępnym jest przekazanie sprzętu w komplecie wraz z dowodem sprzedaży i gwarancją. W przypadku reklamacji należy używać tylko oryginalnego opakowania. W ten sposób możemy zagwarantować szybkie i płynne przetwarzanie gwarancji. Prześlij nam urządzenia post-paid lub zamów naklejkę na autostradę. Niestety nie będziemy mogli akceptować urządzeń, które nie są opłacane z dołu. Gwarancja nie obejmuje części ulegających naturalnemu zużyciu. Jeśli chcesz zgłosić roszczenie gwarancyjne, zgłośić usterki lub zamówić części zamiennie lub akcesoria, skontaktuj się z następującym centrum obsługi posprzedażnej: Zastrzega się możliwość zmian bez uprzedzenia.

ALB

## GARANCIA

Kjo pajisje është një produkt cilësor. Washtë hartuar në përputhje me standardet aktuale teknike dhe është bërë me kujdes duke përdorur materiale normale, me cilësi të mirë. Periudha e garancisë është 24 muaj për përdorim jo profesional dhe 12 muaj për përdorim profesional dhe fillon në datën e blerjes, e cila mund të vërtetohet me faturën, faturën ose dorëzimin. Gjatë kësaj periudhe garancie, të gjitha gabimet funksionale, të cilat, përkundër trajtimit të kujdesshëm të përkthuar në manualin tonë të funksionimit, janë verifikueshëm për shkak të metave të materialit, do të korrigjohen nga stafi ynë i shërbimit pas shitjes. Garancia merr formën që pjesët e dëmtuara do të riparohen ose zëvendësohen me pjesët të përsosura falas, sipas gjykimit tonë. Pjesët e zëvendësuara do të bëhen pronë jonë. Puna e riparimit ose zëvendësimit i pjesëve individuale nuk do të zgjasë periudhën e garancisë, por nuk do të rezultojë në fillimin e një periudhe të re garancie për pajisjen. Asnjë periudhë e veçantë e garancisë nuk do të fillojë për pjesët rezervë që mund të merren. Ne nuk mund të ofrojmë një garanci për dëmtimin dhe defektet e pajisjeve ose pjesëve të tyre të shkaktuara nga përdorimi i forcës së tepërt, trajtimi dhe shërbimi i pahijshëm. Kjo gjithashtu vlen për dështimet në përputhje me manualin e funksionimit dhe instalimin ose pjesët rezervë dhe aksesorë që nuk përfshihen në gamën tonë të produkteve. Në rast ndërhyrjeje në modifikimet e pajisjes nga persona të paautorizuar, garancia do të hiqet. Dëmet që mund t'i atribuohen trajtimit të pahijshëm, ngarkimit të tepërt, ose konsumit natyror, përjashtohen nga garancia. Dëmet e shkaktuara nga prodhuesi ose nga një defekt i materialit do të korrigjohen pa pagesë me riparim ose duke siguruar pjesë këmbimi. Parakushti është që pajisjet të dorëzohen të montuara, dhe të kompletuara me provën e shitjes dhe garancisë. Për një kërkesë garancie, përdorni vetëm paketimin origjinal. Në atë mënyrë, ne mund të garantojmë përpunim të shpejtë dhe të qetë të garancisë. Ju lutemi na dërgoni pajisjet me postë të paguar ose kërkoni një afishe autostradë. Për fat të keq, ne nuk do të jemi në gjendje të pranohim pajisje që nuk janë me kontratë. Garancia nuk përfshin pjesë që i nënshtrohen konsumit natyror. Nëse dëshironi të bëni një kërkesë për garanci, të raportoni gabime ose të porosisni pjesë rezervë ose pajisje, ju lutemi kontaktoni qendrën pas: Subjekti për të ndryshuar pa njëjt im paraprak.

HR

## JAMSTVO

Ovaj je uređaj kvalitetan proizvod. Dizajniran je u skladu s trenutnim tehničkim standardima i izrađen je pažljivo koristeći normalne, kvalitetne materijale. Garancijsko razdoblje je 24 mjeseca za neprofesionalnu upotrebu i 12 mjeseci za profesionalnu uporabu i započinje datumom kupnje, što se može potvrditi potvrdom primitka, računa ili dostavnice. Tijekom ovog jamstvenog razdoblja sve će funkcionalne pogreške, koje su unatoč pažljivom postupanju opisanom u našem priručniku za upotrebu provjerljivo zbog materijalnih nedostataka, otkloniti od strane našeg servisnog osoblja. Jamstvo ima oblik da će se oštećeni dijelovi besplatno popraviti ili zamijeniti savršenim dijelovima, po našem nahođenju. Zamijenjeni dijelovi postat će naše vlasništvo. Popravak ili zamjena pojedinih dijelova neće produžiti jamstveno razdoblje, jer neće rezultirati novim jamstvenim rokom za uređaj. Neće započeti zasebni jamstveni rok za rezervne dijelove koji se mogu trošiti. Ne možemo pružiti jamstvo za oštećenja i oštećenja uređaja ili njihovih dijelova uzrokovanih prekomjernom silom, nepravilnim postupanjem i servisiranjem. To se također odnosi i na neusklađivanje s uputama za uporabu i instalacijskim ili rezervnim i pomoćnim dijelovima koji nisu uključeni u naš asortiman proizvoda. U slučaju ometanja neovlaštenih osoba na izmjenama uređaja, jamstvo će se poništiti. Oštećenja koja se mogu pripisati nepravilnom rukovanju, preopterećenju ili prirodnom habanju isključena su iz jamstva. Štete uzrokovane proizvođačem ili oštećenjem materijala ispravit će se besplatnim popravkom ili osiguravanjem rezervnih dijelova. Predviđet je da se oprema preda u sastavu, zajedno s dokazom o prodaji i garancijom. Za garancijski zahtjev koristite samo originalno pakiranje. Na taj način možemo jamčiti brzu i glatku obradu jamstava. Pošaljite nam uređaje naknadno ili zatražite naljepnicu autoputa. Nažalost, nećemo biti u mogućnosti prihvatiti uređaje koji nisu pretplaćeni. Jamstvo ne obuhvaća dijelove koji su podložni prirodnom habanju. Ako želite podnijeti zahtjev za jamstvom, prijaviti kvarove ili naručiti rezervne dijelove ili pribor, molimo kontakti rajte dolje prodajni centar: Podložno promjenama bez prethodne najave.

SRB

## GARANCIJA

Ovaj aparat je kvalitetan proizvod. Dizajniran je u skladu sa trenutnim tehničkim standardima i rađen pažljivo koristeći normalne, kvalitetne materijale. Garantni rok je 24 meseca. Garantni rok je 24 meseca za neprofesionalno korišćenje i 12 meseci za profesionalnu upotrebu i započinje danom kupovine, što se može verifikovati primaњem, fakturom ili otpremnicom. Tokom ovog garantnog perioda, sve funkcionalne greške koje se, uprkos pažljivom postupanju opisanom u našem uputstvu za upotrebu, verovatno mogu proveriti zbog materijalnih nedostataka, otkloniće od strane našeg servisnog osoblja. Garancija dobija oblik da će se neispravni delovi popraviti ili zameniti savršenim delovima besplatno po našem nahođenju. Zameњeni delovi postaću naše vlasništvo. Popravci ili zamena pojedinih delova neće produžiti garantni rok jer neće rezultirati novim garancijskim rokom za aparat. Neće početi poseban garantni rok za rezervne delove koji se mogu napuniti. Ne možemo pružiti garanciju za oštećenja i oštećenja uređaja ili њihovih delova nastalih prekomernom silom, nepravilnim tretmanom i servisiraњem. Ovo se takođe odnosi i na nepoštovaње uputstva za upotrebu i instalacionih ili rezervnih i pomoćnih delova koji nisu obuhvaćeni našim asortimanom proizvoda. U slučaju ometaња modifikacija uređaja od strane neovlašћених osoba, garancija će se poništiti. Oštećenja koja se mogu pripisati nepravilnom rukovaњу, preopterećenju ili prirodnom habaњу su isključena iz garancije. Oštećenja nastala od strane proizvođača ili oštećenja materijala ispravljaće se ili popravlaњem rezervnih delova besplatno. Preuslov je da se oprema preda u sastavu, zajedno sa dokazom o prodaji i garancijom. Za zahtev o garanciji koristite samo originalno pakovaње. Na taj način možemo garantovati brzu i glatku obradu garancija. Pošaljite nam uređaje naknadno ili zatražite nalepnicu sa autoputa. Nažalost, nećemo biti u mogućnosti da prihvatimo uređaje koji nisu plaćeni. Garancija ne pokriva delove koji su izloženi prirodnom habaњу. Ako želite da podnesete zahtev za garancijom, prijavite greške ili naručite rezervne delove ili dodatnu opremu, molimo kontaktirajte doњи prodajni centar: Mory se promeniti bez prethodne najave.



The instructions manual is also available in digital format on our website [www.nikolaoutools.gr](http://www.nikolaoutools.gr). Find it by entering the product code in the Search " 🔍 " field.

Μπορείτε να βρείτε τις οδηγίες χρήσης και σε ηλεκτρονική μορφή μέσω της ιστοσελίδας μας [www.nikolaoutools.gr](http://www.nikolaoutools.gr). Αναζητήστε τις με τον κωδικό προϊόντος στο πεδίο Αναζήτηση " 🔍 " .