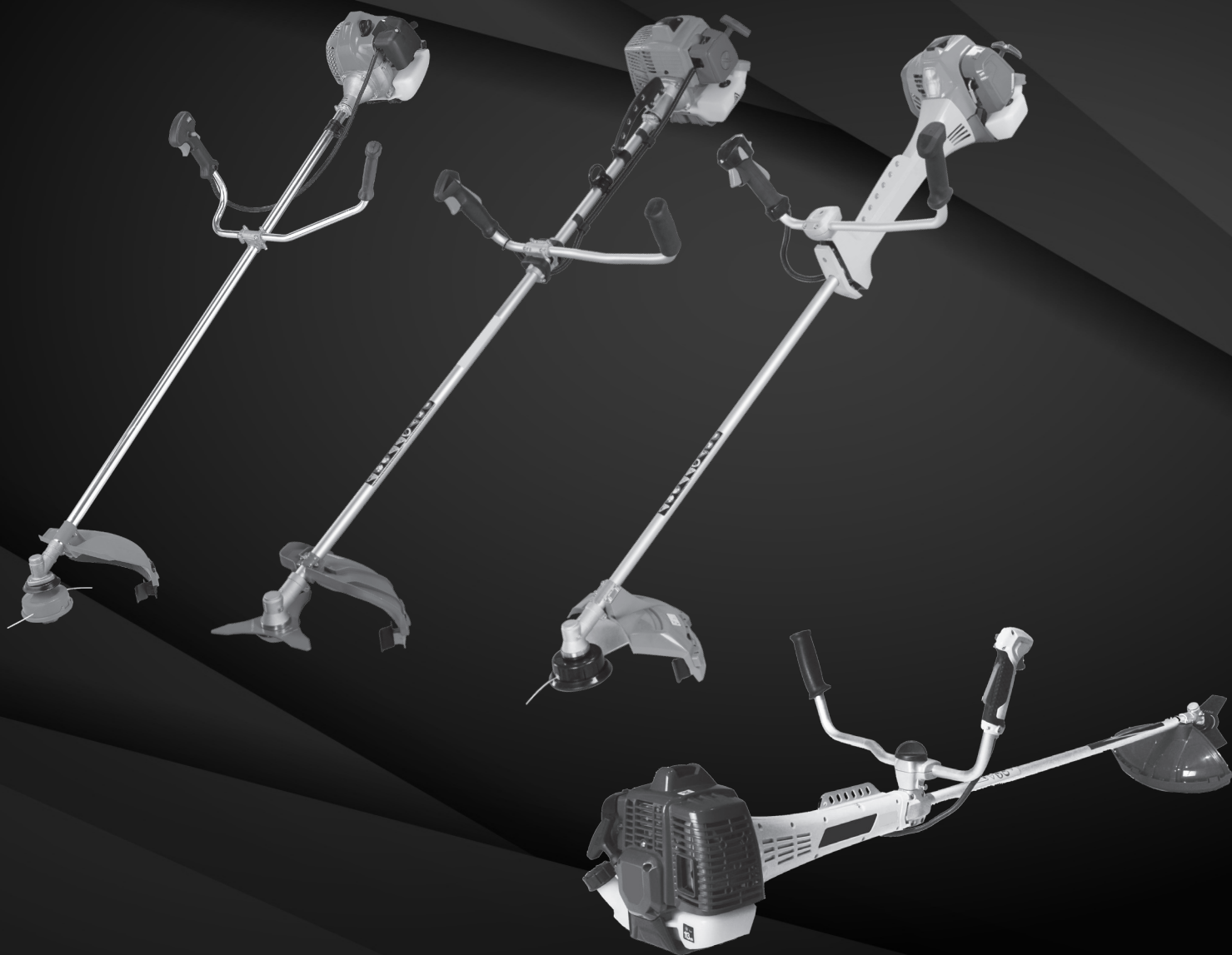


NAKAYAMA[®]
GARDEN TOOLS EXPERT

NAKAYAMA[®]
PRO
Shaping outdoor life.



PB5221 – PB5600 – PB5450 – PB7500 – PB7700

ART NO: 033783 - 033790 - 033967 - 033813 - 033806

v2.2

EN FR

IT EL

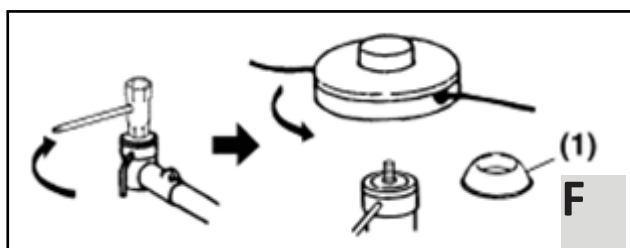
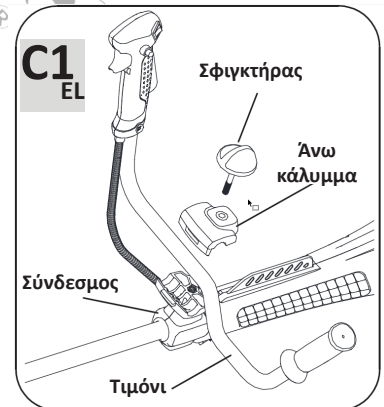
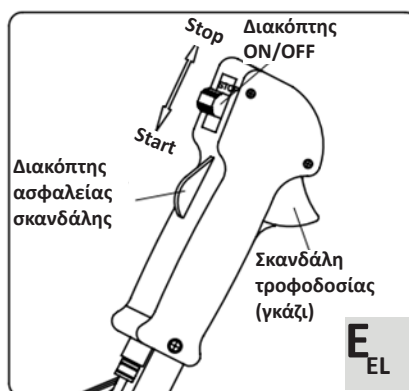
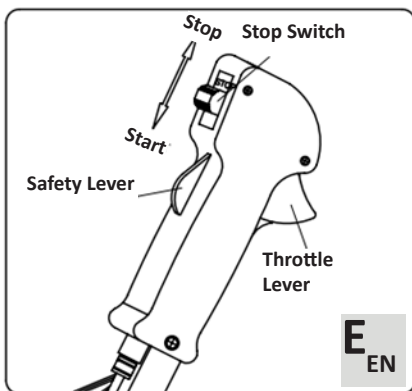
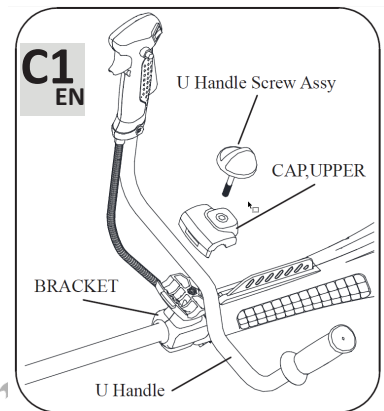
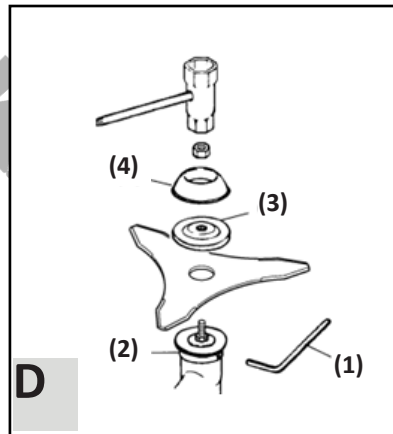
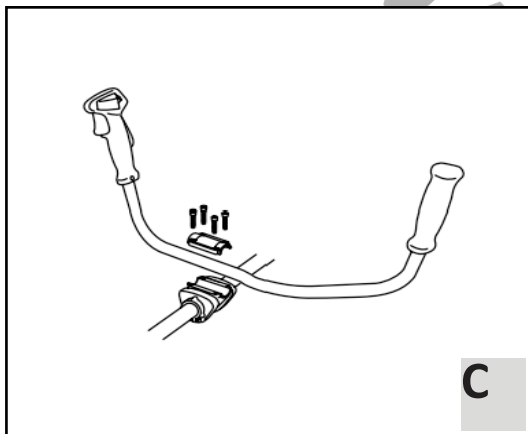
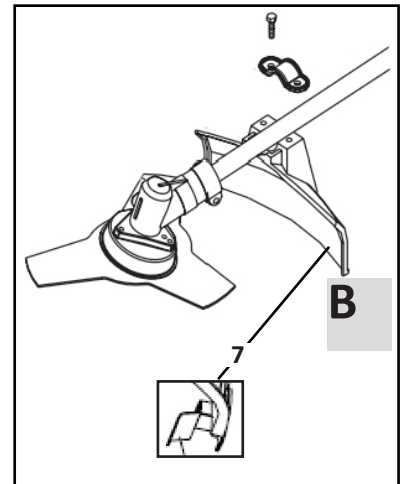
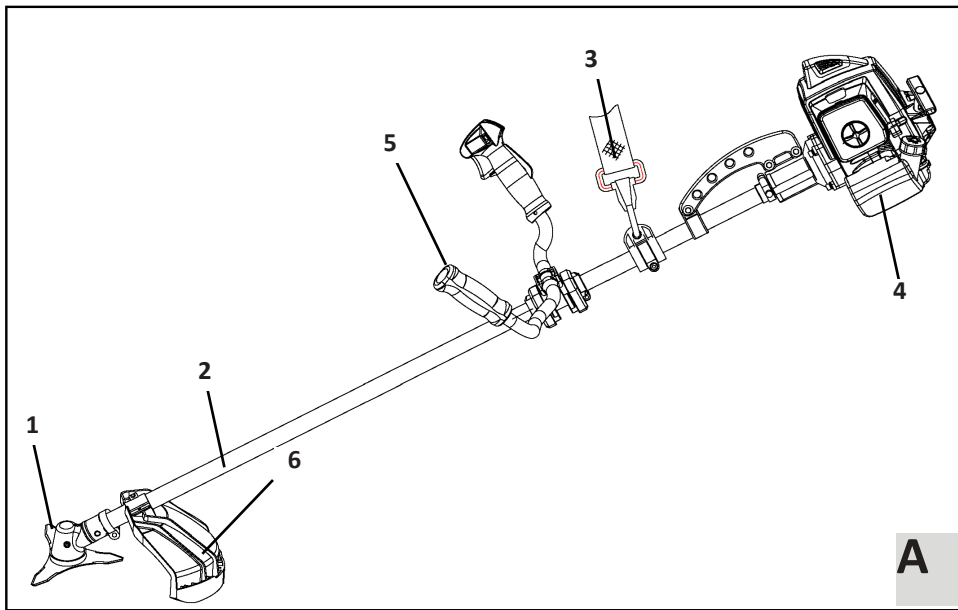
BG SL

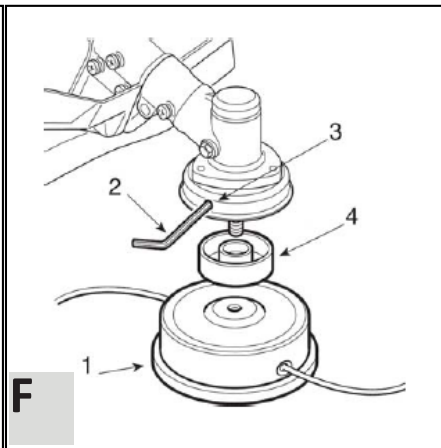
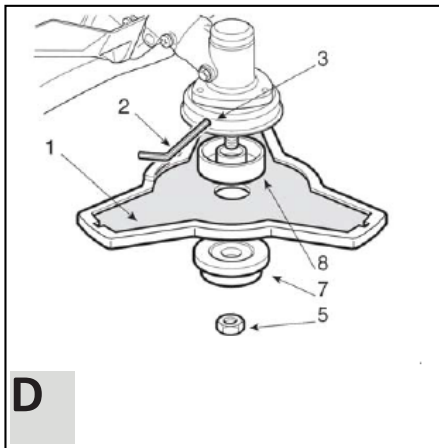
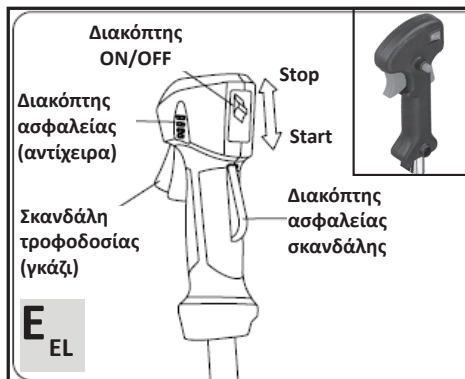
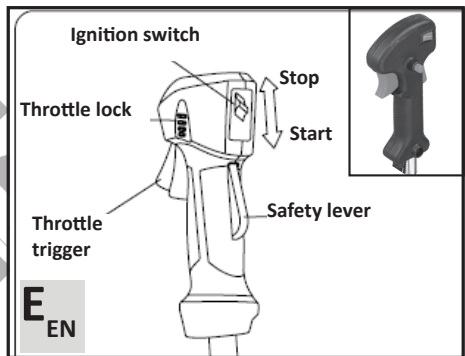
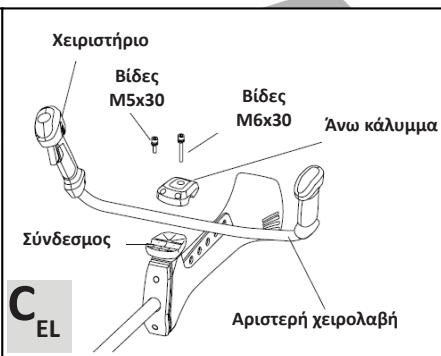
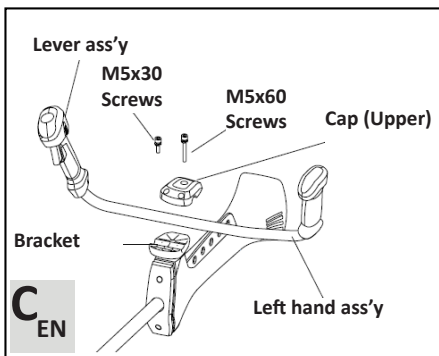
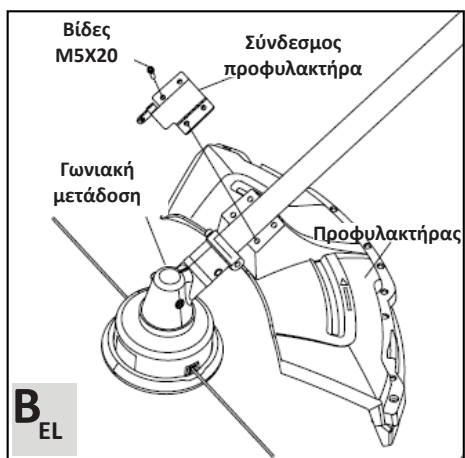
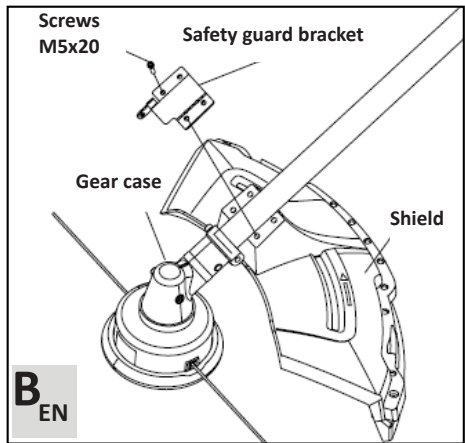
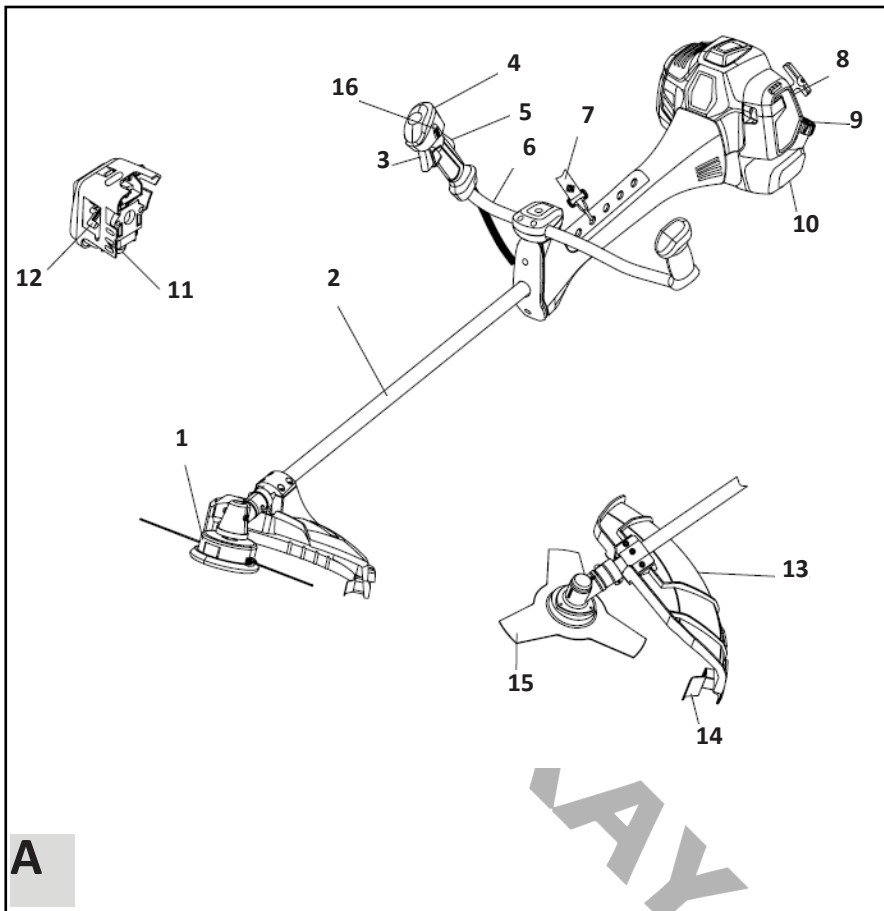
RO

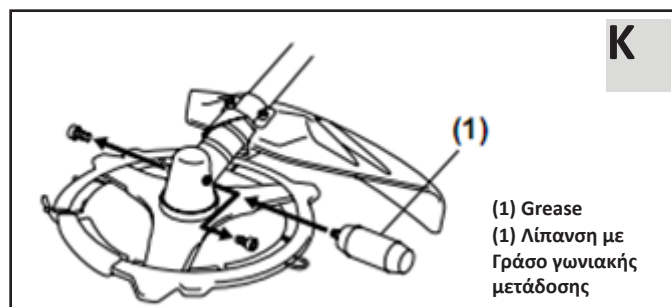
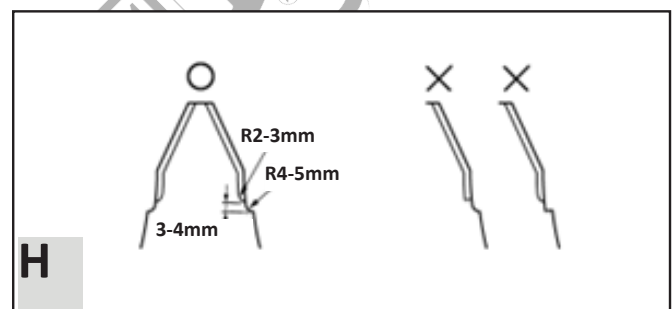
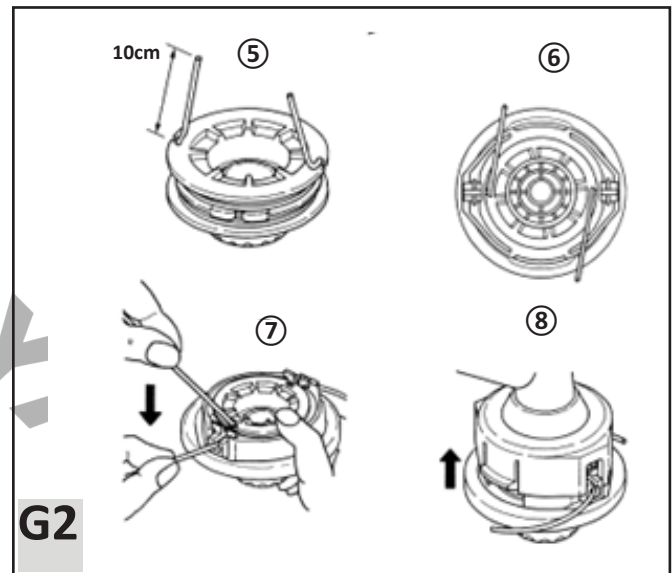
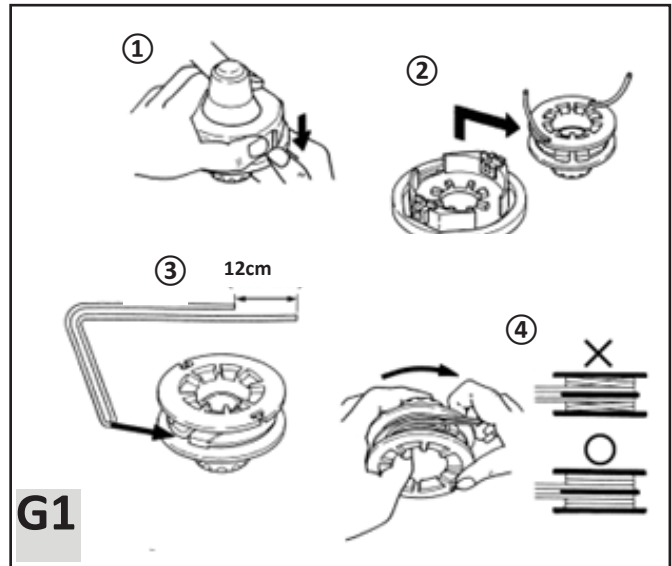
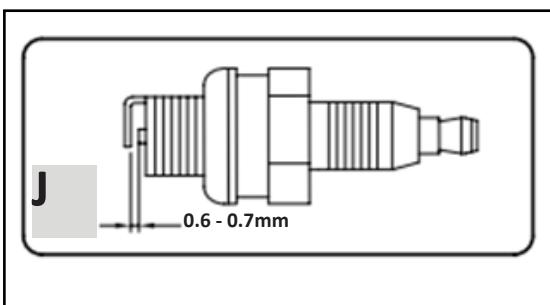
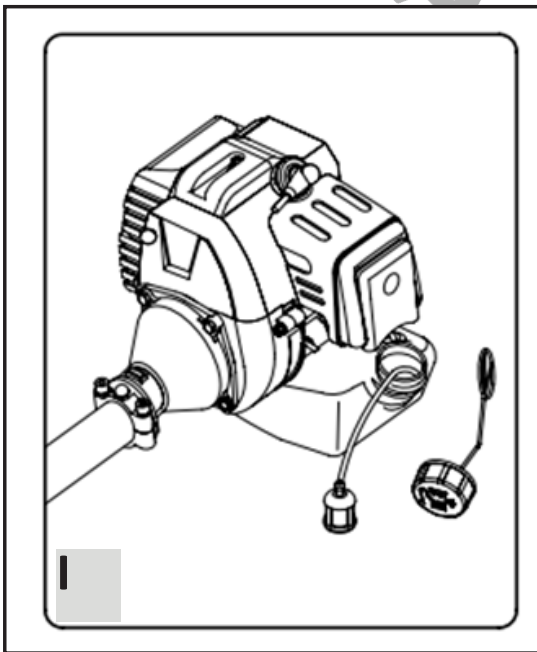
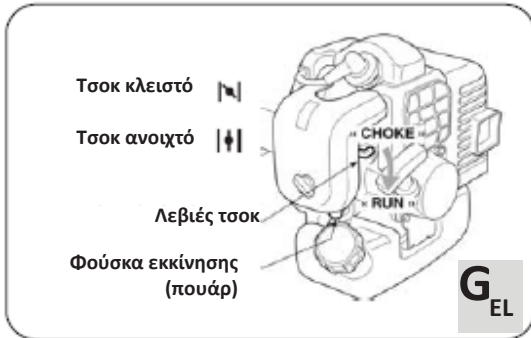
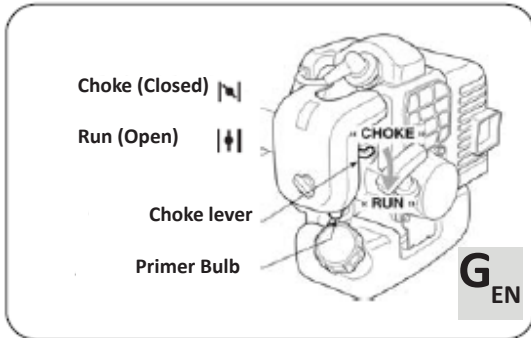


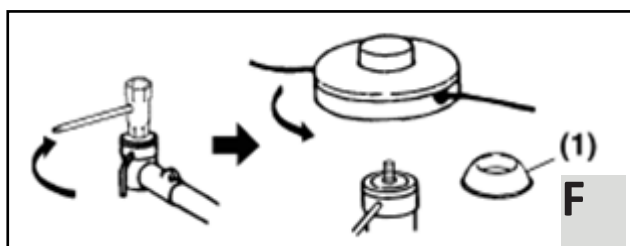
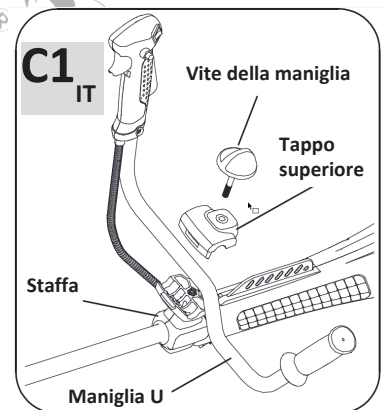
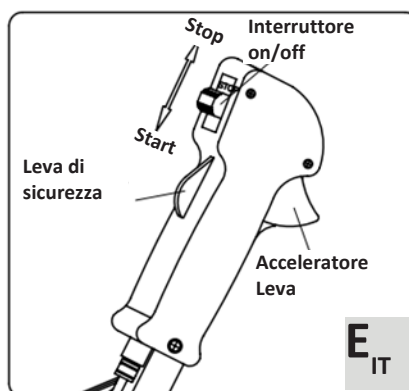
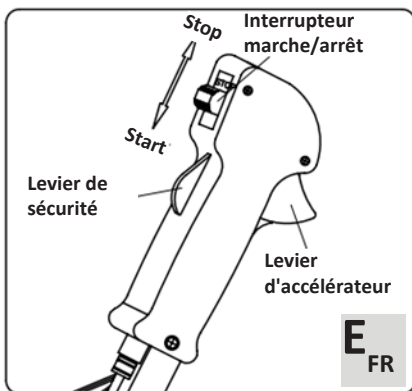
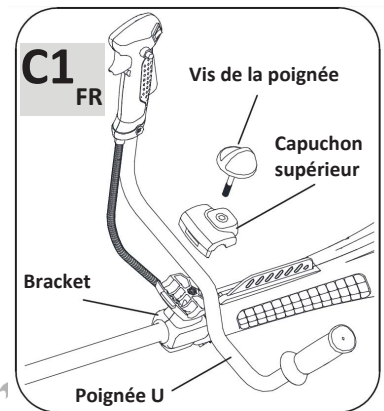
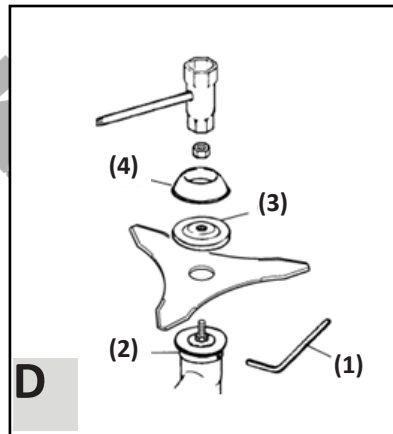
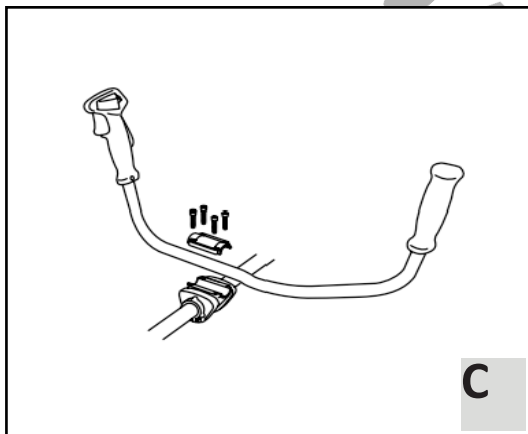
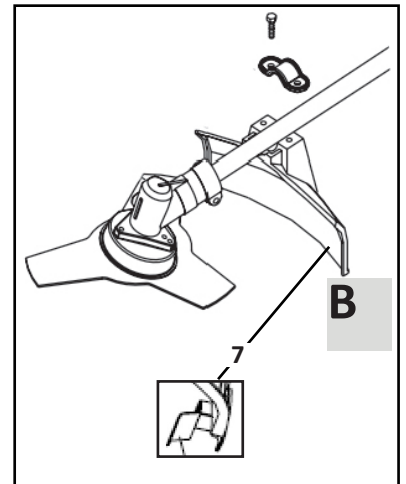
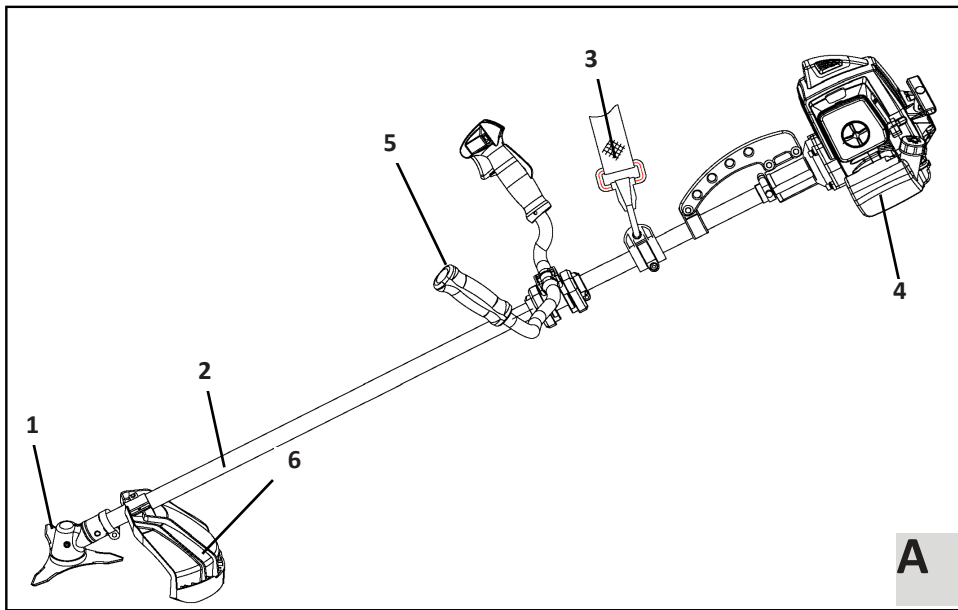
WWW.NIKOLAOUTOOLS.GR

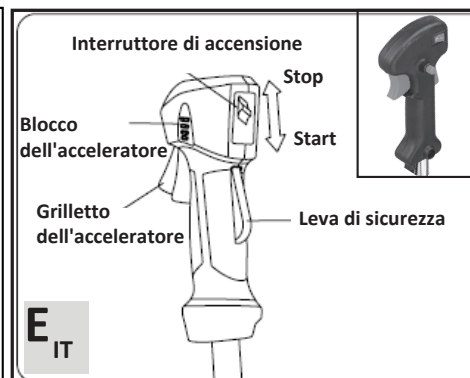
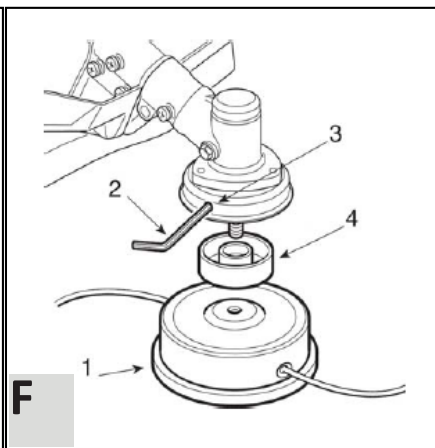
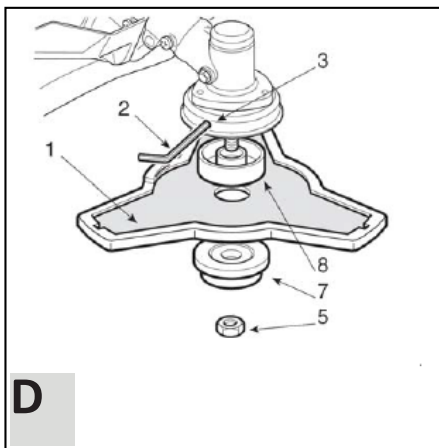
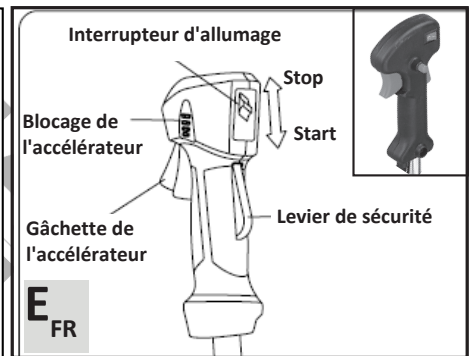
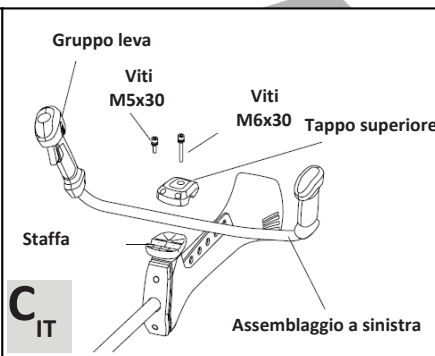
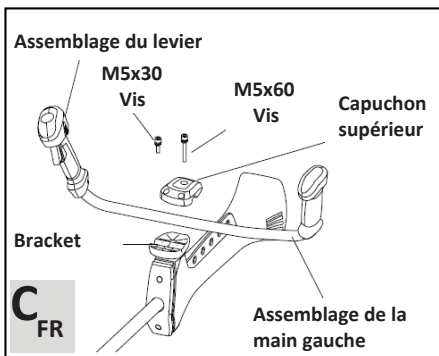
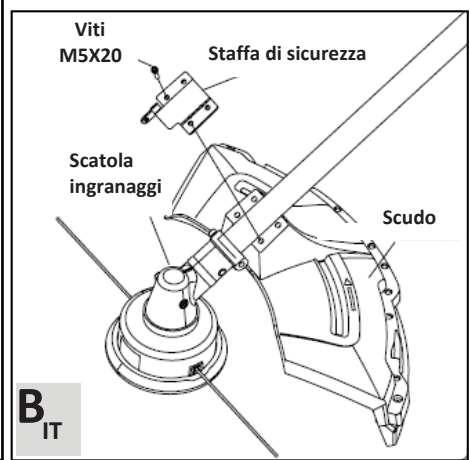
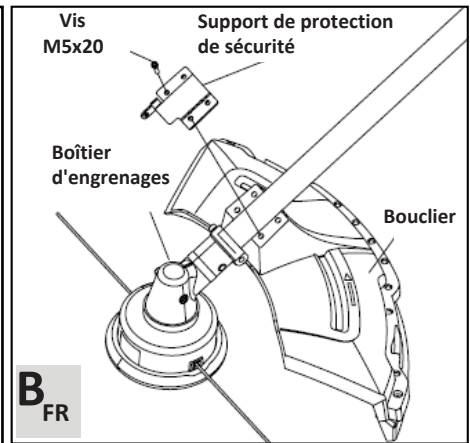
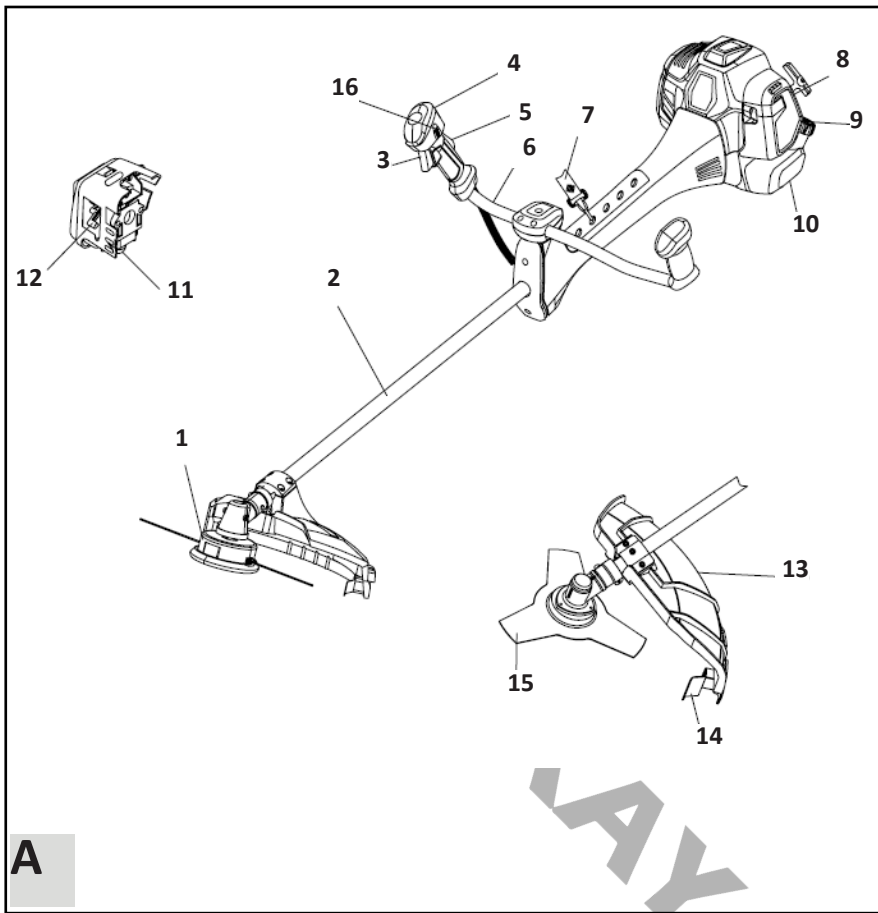


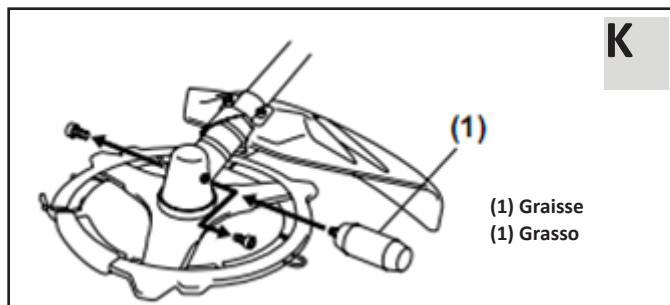
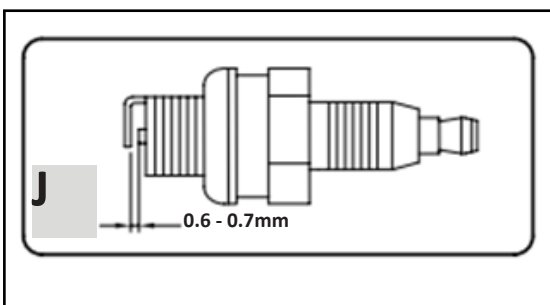
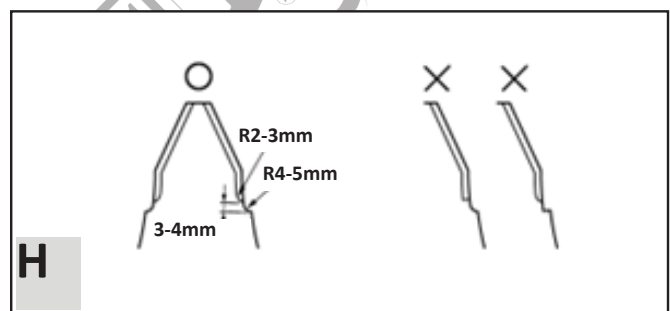
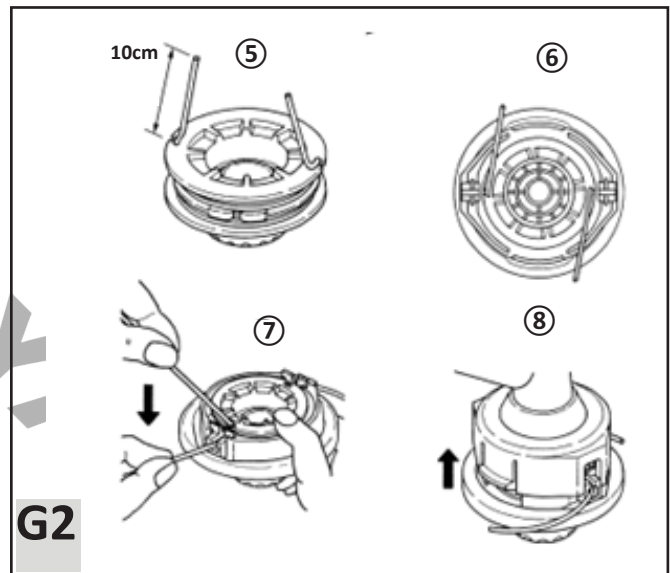
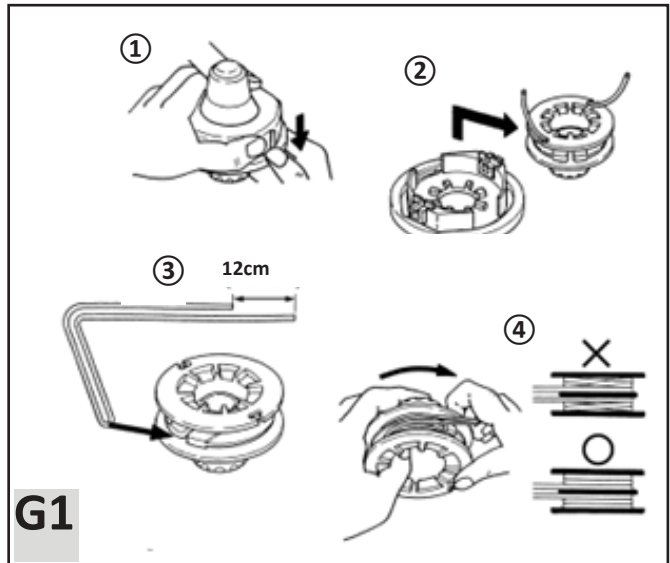
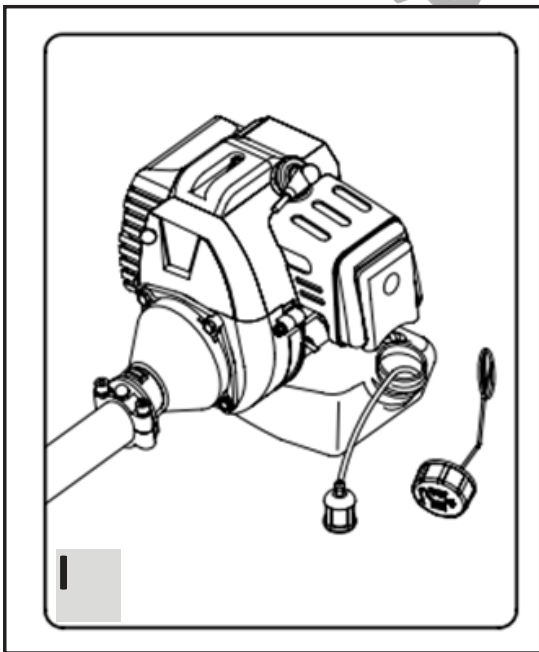
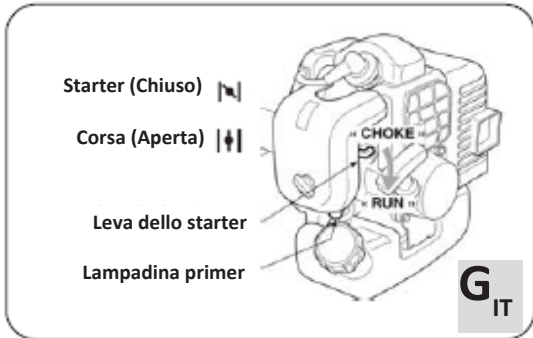
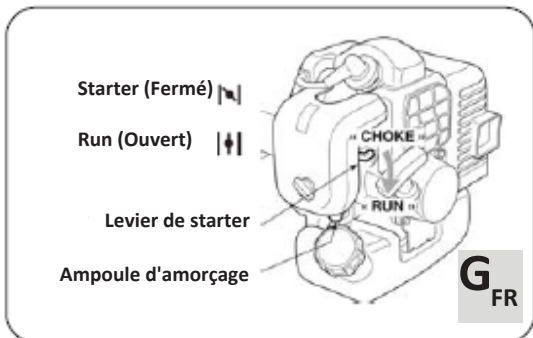


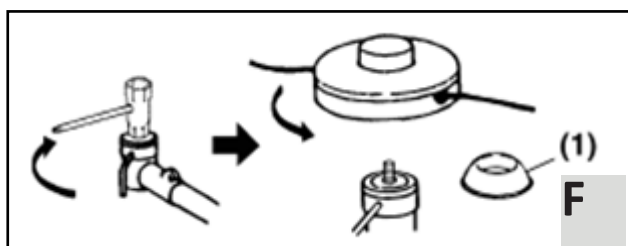
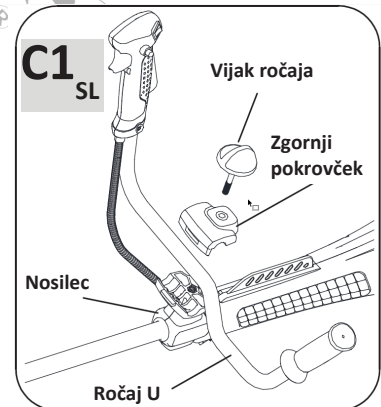
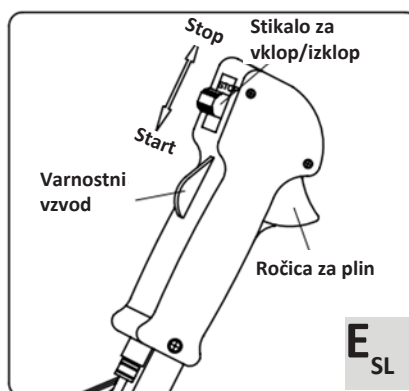
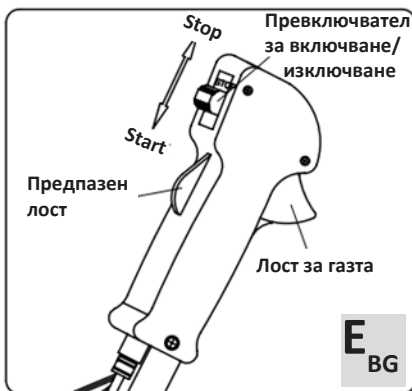
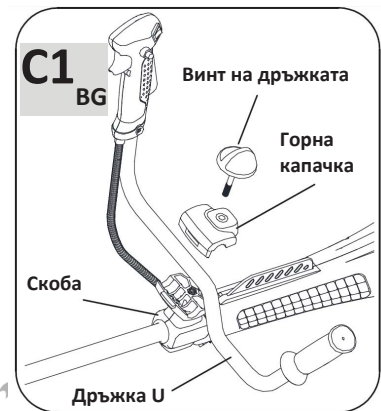
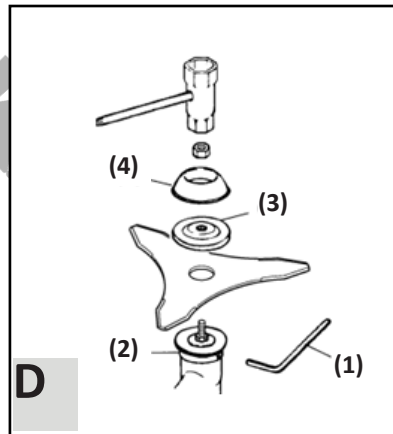
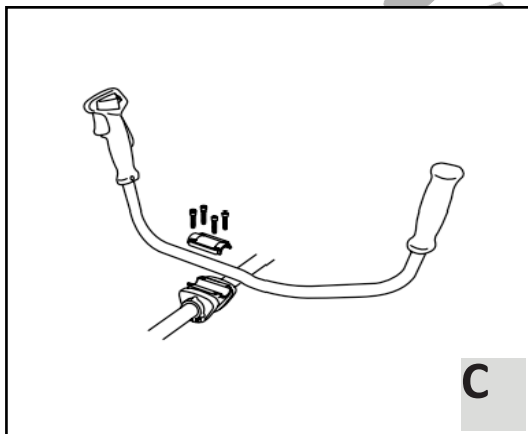
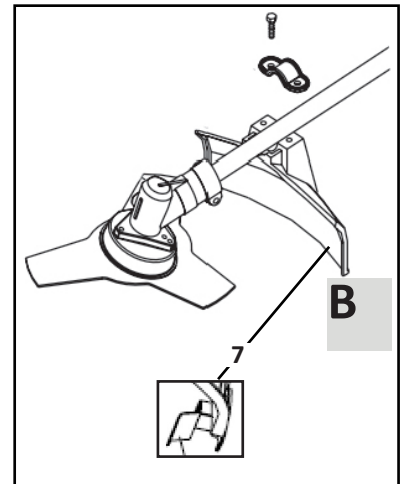
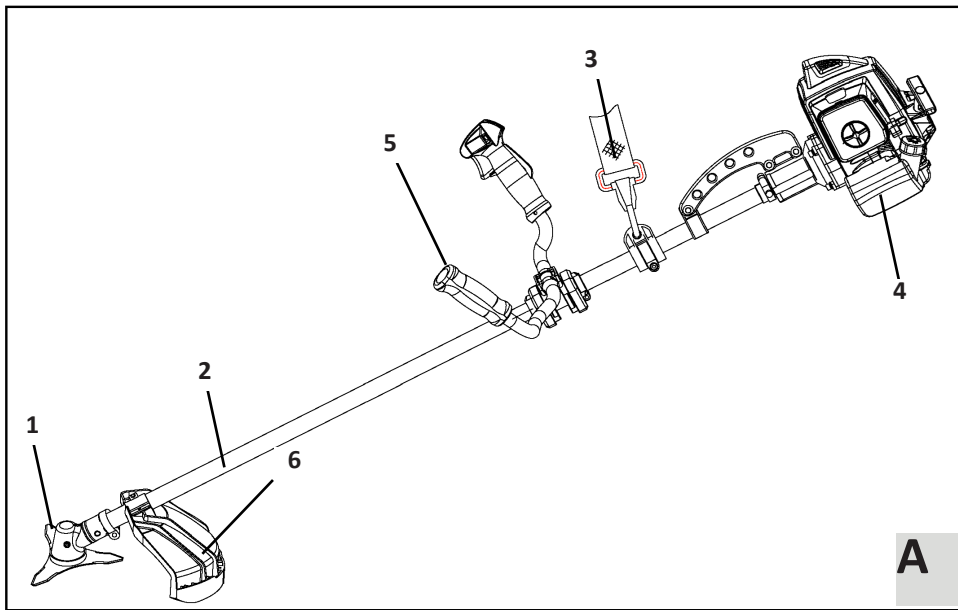


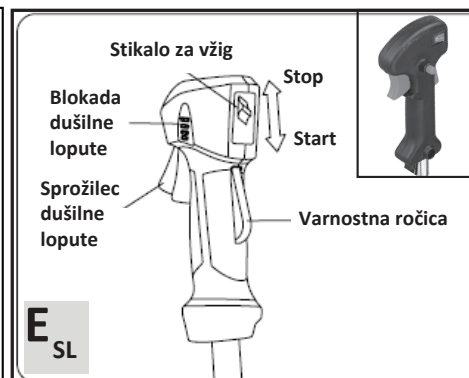
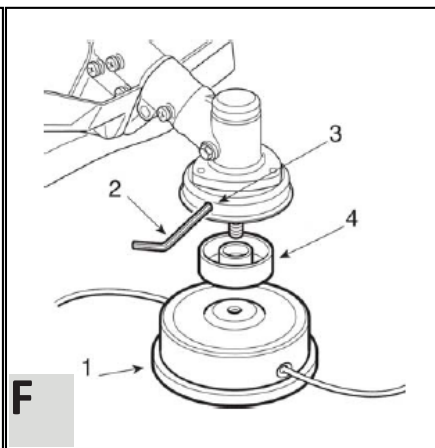
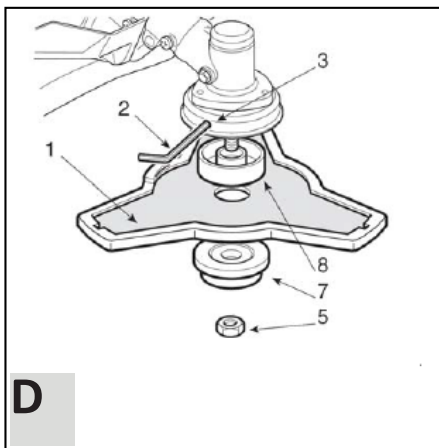
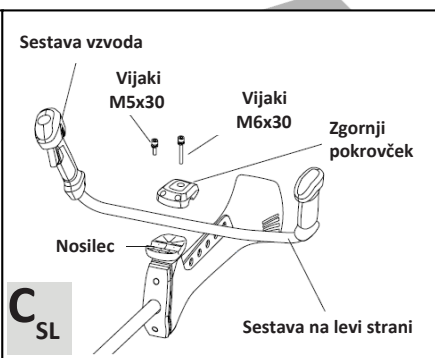
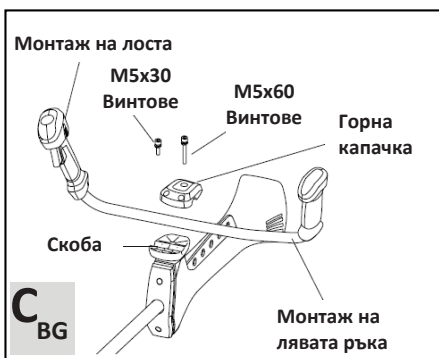
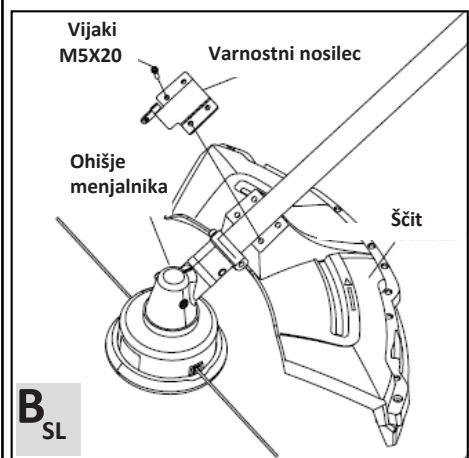
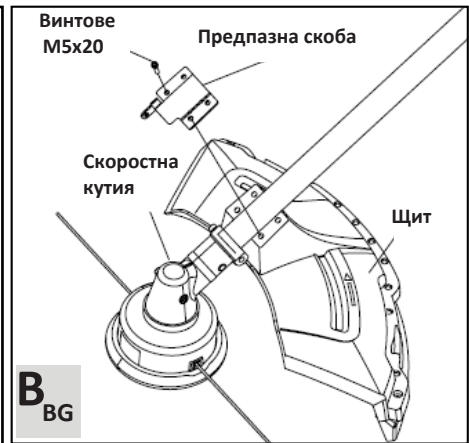
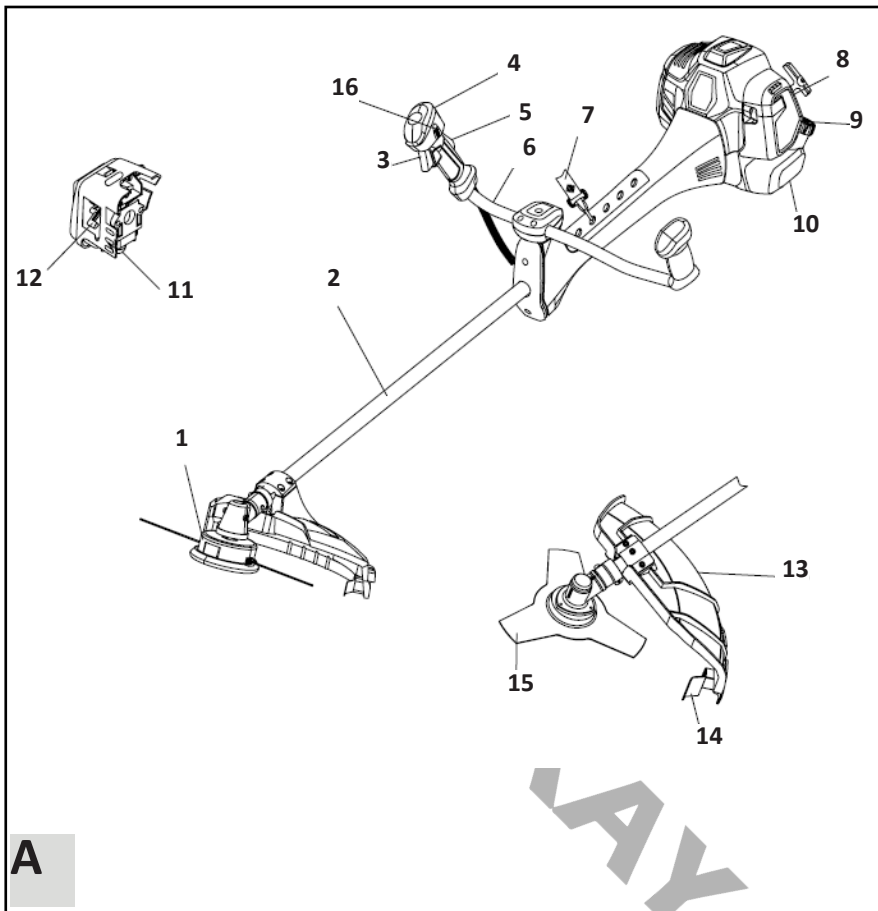


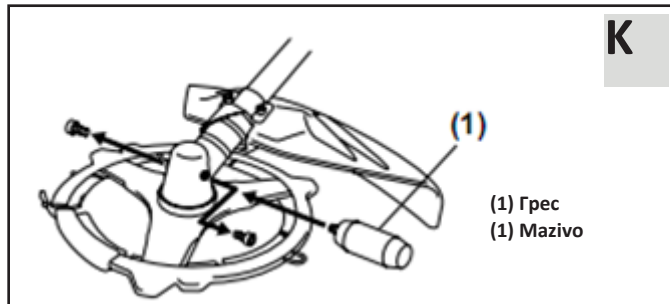
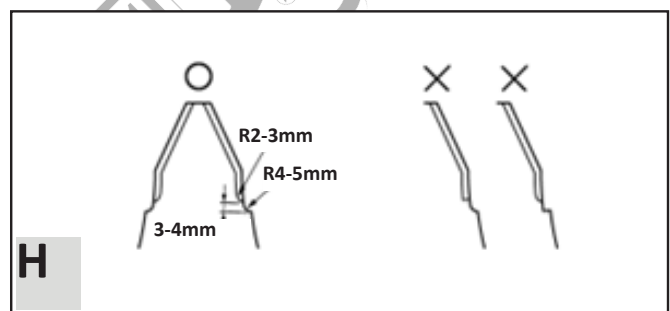
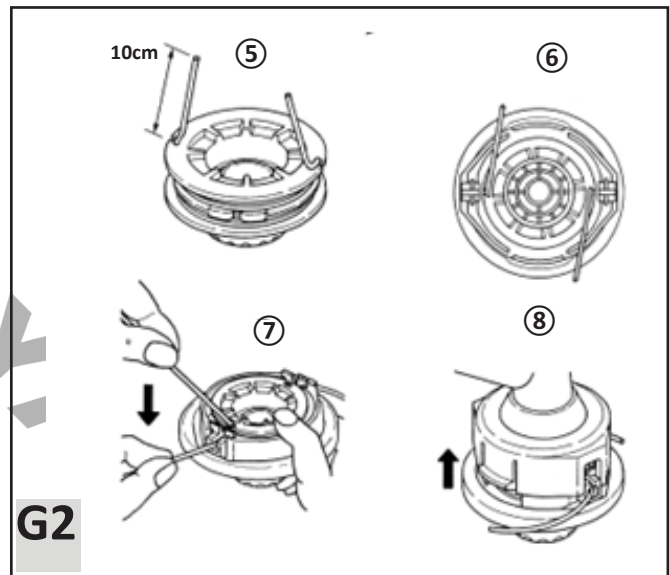
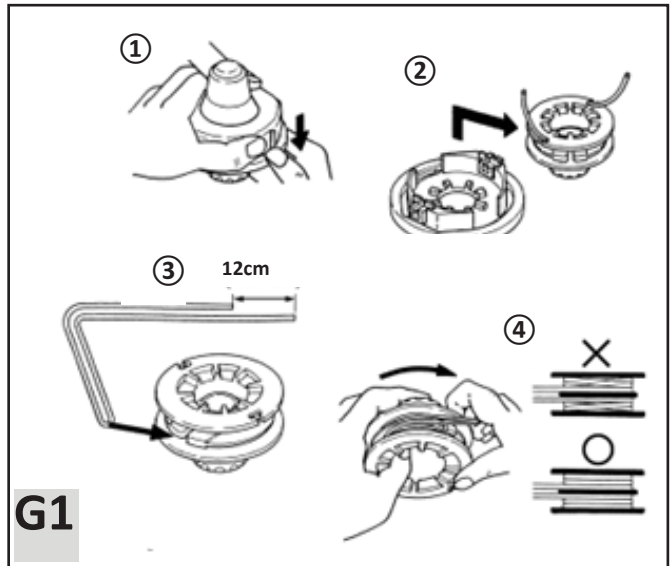
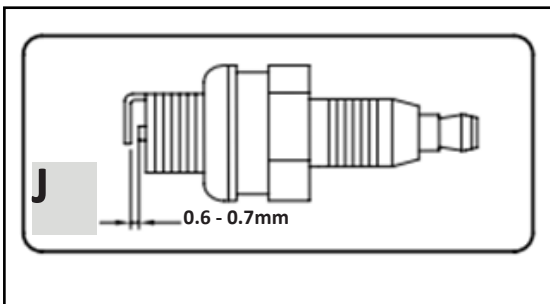
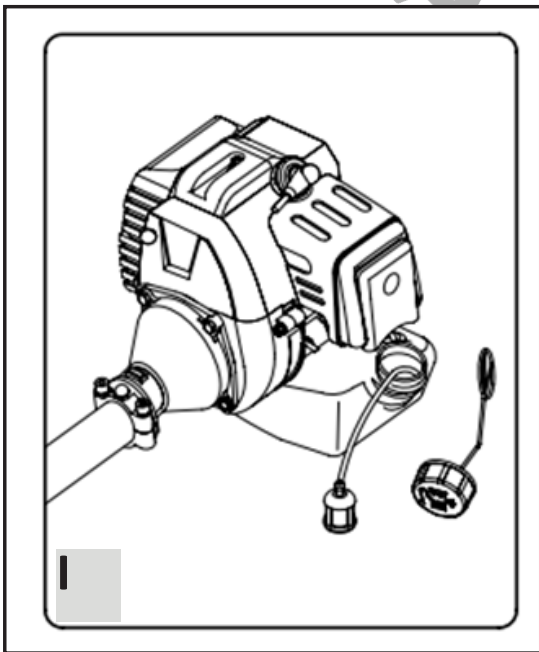
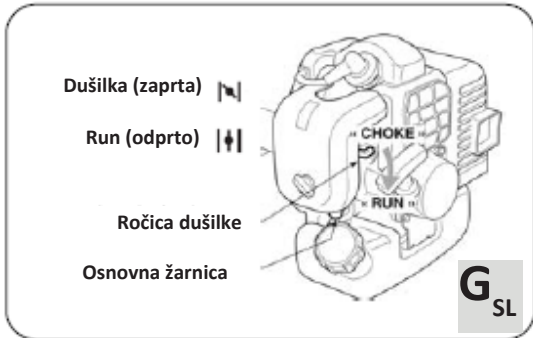
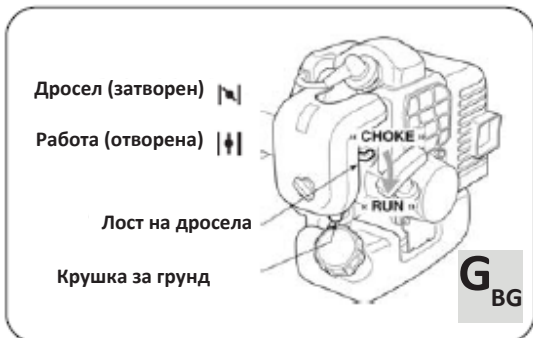


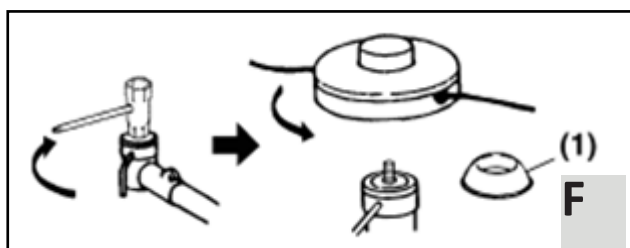
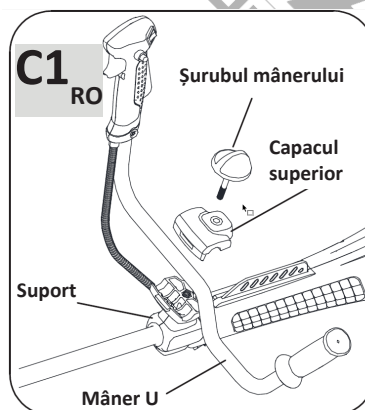
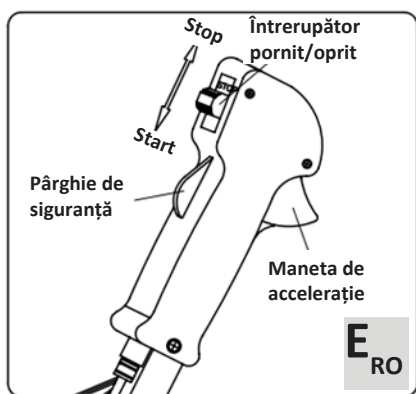
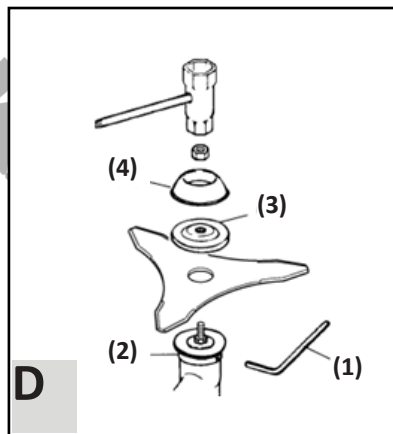
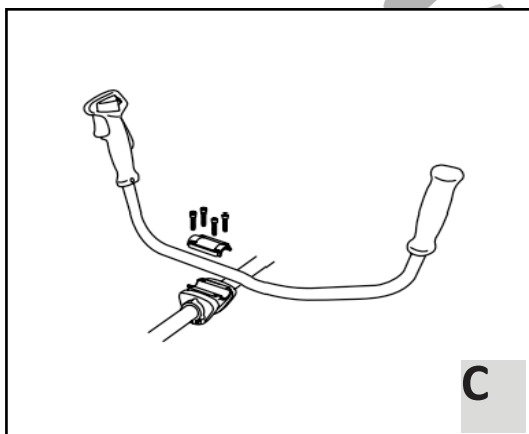
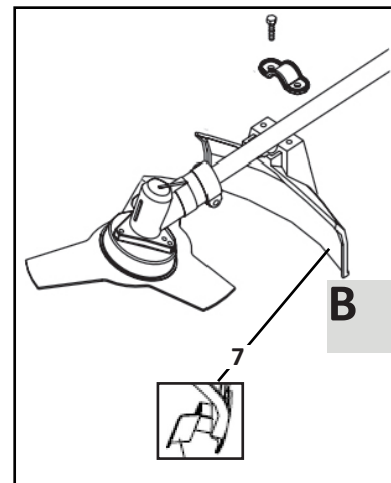
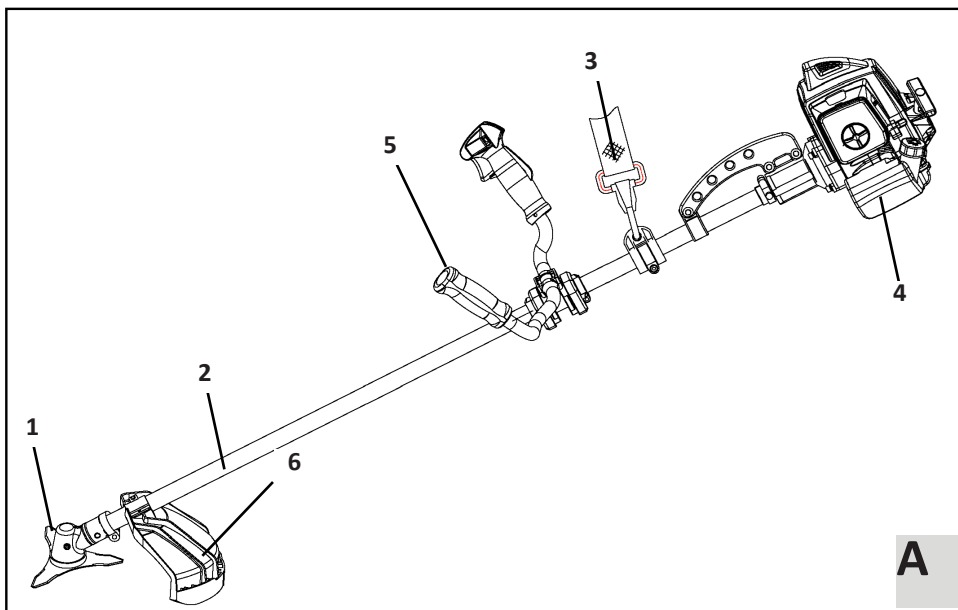


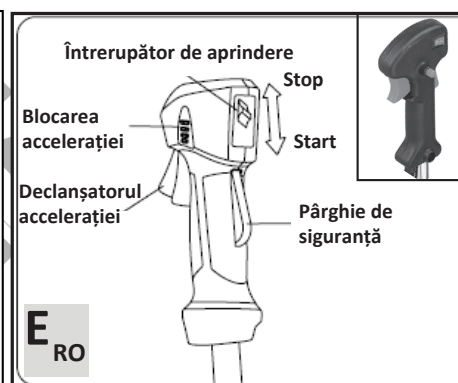
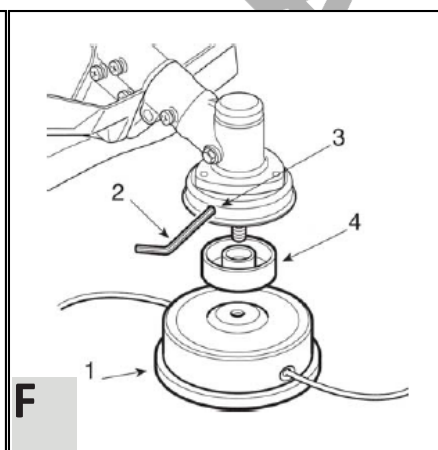
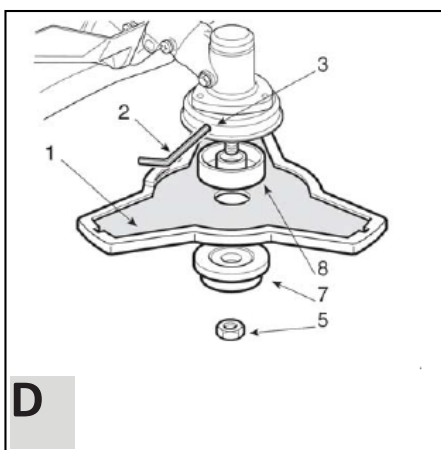
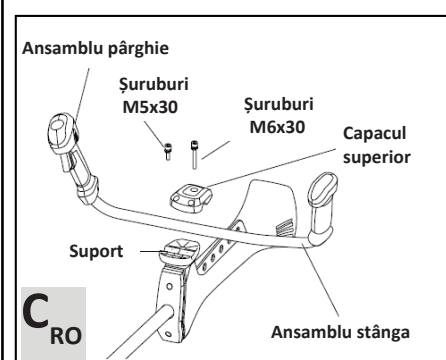
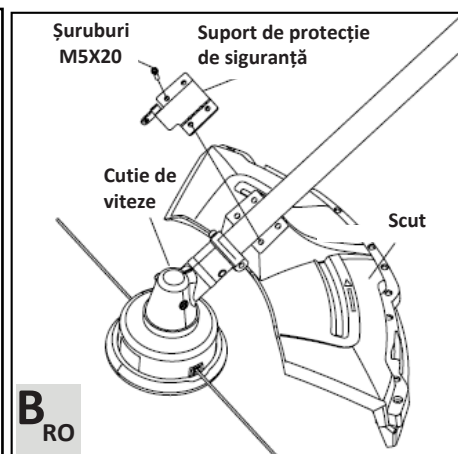
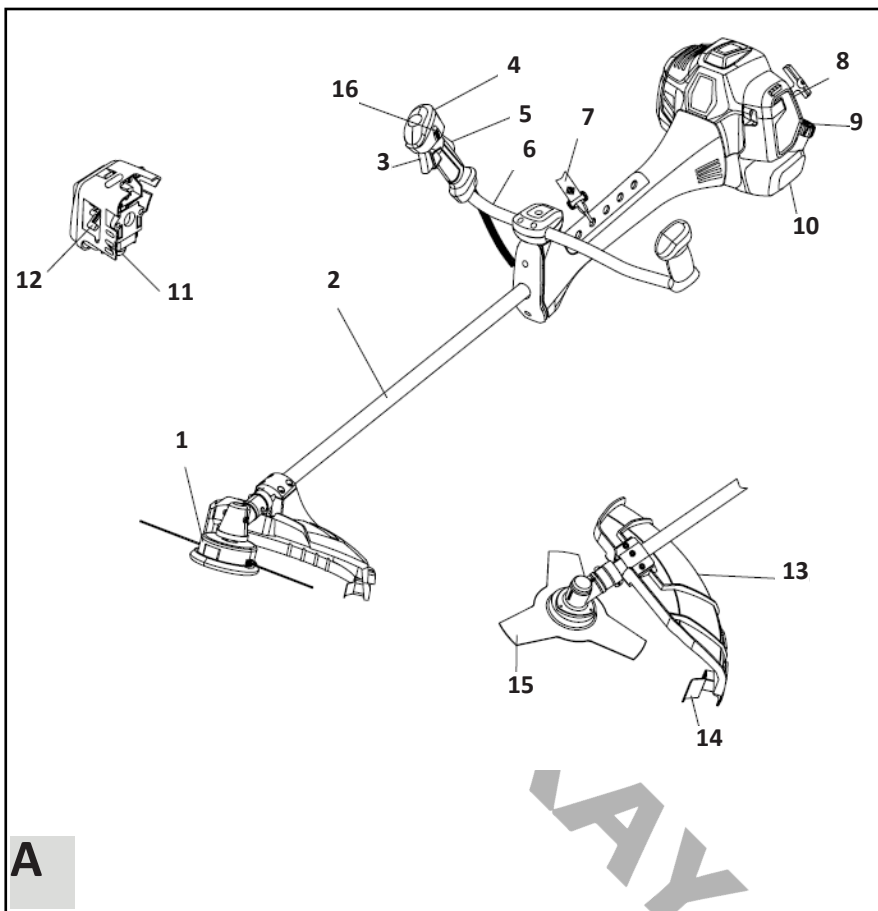


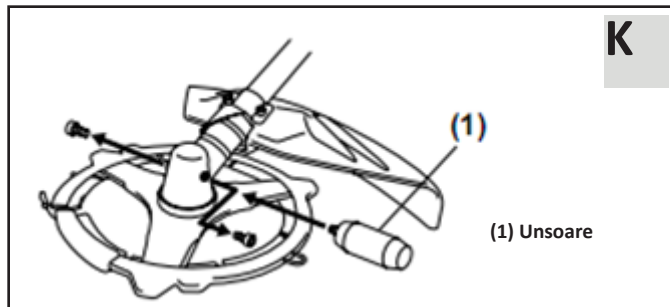
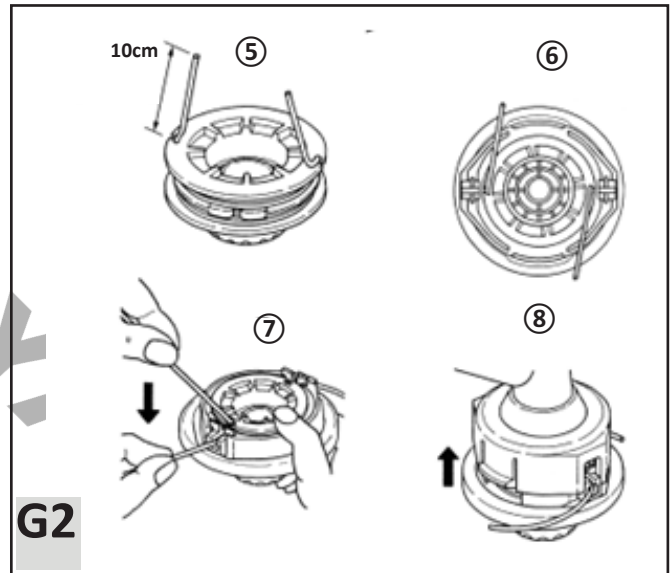
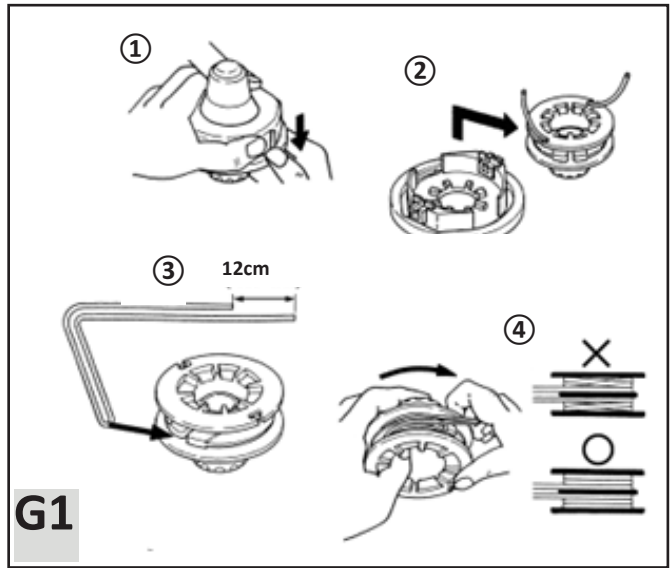
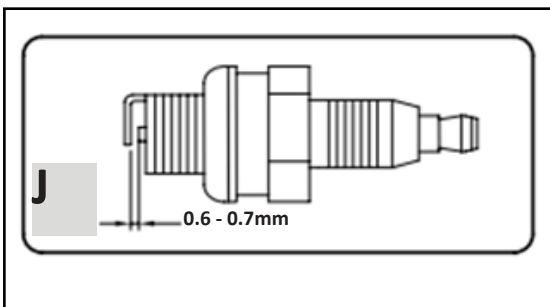
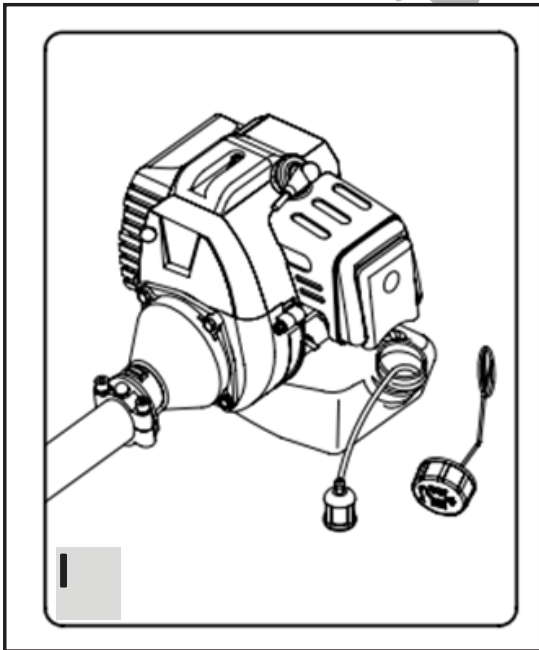
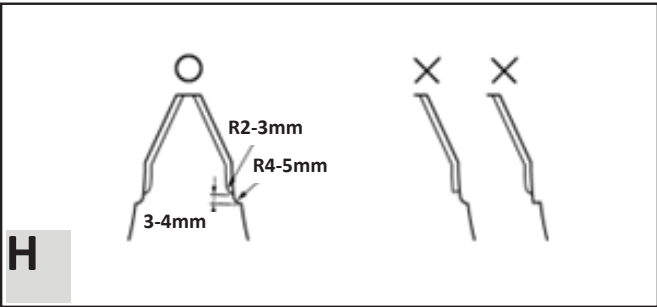
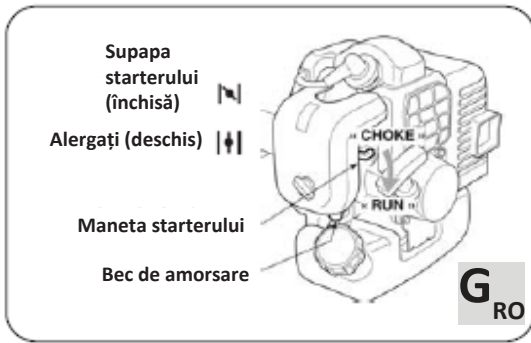












Safety instructions

This machine can cause serious injuries. Read the instructions carefully for the correct handling, preparations, maintenance, starting and stopping of the machine.

Be familiar with all controls and the proper use of the machine.

Keep this manual handy so that you may refer to it later whenever any questions arise. Also note, if you have any questions which cannot be answered herein, contact the dealer from whom you purchased the product.

Never allow children or anyone unable to fully understand the directions given in the manual to use the machine.

Personal safety equipment

When cutting, make sure to wear the following safety equipment:

1. Helmet
2. Ear protectors
3. Protection goggles or face protector
4. Thick work gloves
5. Non-slip-sole work boots

Do not wear loose clothing, jewellery, short trousers, sandals, or go barefoot. Do not wear anything which might be caught by a moving part of the unit.

Secure hair so it is above shoulder length.

Work place

Never start the engine inside a closed room or building. Exhaust gases contain dangerous carbon monoxide.

Never use the product:

- A. When the ground is slippery or when you can't maintain a steady posture.
 - B. At night, at times of heavy fog, or at any other times when your field of vision might be limited and it would be difficult to gain a clear view of the working area.
 - C. During rain storms, during lightning storms, at times of strong or gale-force winds, or at any other times when weather conditions might make it unsafe to use the product.
- The machine may not be used unless it is undamaged and functions properly. If the equipment or parts of it have become defective, have it repaired by a specialized technician.
 - Always obey the current national and international safety, health, and working regulations.
 - Do not operate the machine unless you did not find any faults on checking. If a part has become defective, make sure to replace it before you use the machine again.
 - The environment must be free of easily flammable and explosive materials.
 - Do not overload the machine. Use the machine only for its intended purpose.
 - Always work with care, and stay alert: Do not operate the machine when you are tired, ill, or under the influence of alcohol, drugs or medication, as you will no longer be able to operate the machine safely.

Before starting the machine

- Make sure that no persons or animals are within your work area when you start working.
- Make sure there are no obstacles in your work area.
- Ensure that your machine has been fully and properly assembled.
- Check that the machine works properly and make sure, in particular, that the chain rail or hedge trimmer head sits tightly and properly, and that the On/Off switch works properly. Do not operate the machine with a damaged or extensively worn cutting device.
- The machine will vibrate during operation. This may cause its screws and parts to loosen. Therefore, check all screws and parts for tightness.

Using the product

Cut only materials recommended by the manufacturer. And use only for tasks explained in the manual.

1. Grip the handles firmly with both hands using your whole hand. Place your feet slightly apart (slightly further apart than the width of your shoulders) so that your weight is distributed evenly across both legs, and always be sure to maintain a steady, even posture while working.
2. Keep cutting attachment below waist level.
3. Maintain the speed of the engine at the level required to perform cutting work, and never raise the speed of the engine above the level necessary.
4. If the unit starts to shake or vibrate, turn off the engine and check the whole unit. Do not use it until the trouble has been properly corrected.
5. Keep all parts of your body away from rotating cutting attachment and hot surfaces.
6. Never touch the muffler, spark plug, or other metallic parts of the engine while the engine is in operation or immediately after shutting down the engine. Doing so could result in serious burns or electrical shock.

Maintenance

- In order to maintain your product in proper working order, perform the maintenance and checking operations described in the manual at regular intervals.
- Always be sure to turn off the engine before performing any maintenance or checking procedures.

The metallic parts reach high temperatures immediately after stopping the engine

- Use only original replacement parts. Only these spare parts are guaranteed to be designed and suitable for use with this machine. Using other spare parts will void your warranty and may cause danger to yourself and your surroundings.
- In the event that any part must be replaced or any maintenance or repair work not described in this manual must be performed, please contact our servicing dealer for assistance.
- Under no circumstances should you ever take apart the product or alter it in any way. Doing so might result in the product becoming damaged during operation or the product becoming unable to operate properly.

Handling fuel

- The engine is designed to run on a mixed fuel, which contains highly flammable gasoline. Never store cans of fuel or refill the tank of the unit in any place where there is a boiler, stove, wood fire, electrical sparks, welding sparks, or any other source of heat or fire which might ignite the fuel.
- Never smoke while operating the unit or refilling its fuel tank.
- When refilling the tank, always turn off the engine and allow it to cool down. Take a careful look around to make sure that there are no sparks or open flames anywhere nearby before refuelling.
- Wipe spilled fuel completely using a dry rag if any fuel spillage occurs during refuelling.
- After refuelling, screw the fuel cap back tightly onto the fuel tank and then carry the unit to a spot 3m or more away from where it was refuelled before turning on the engine.

Transport and Storage

- When you finish cutting in one location and wish to continue work in another spot, turn off the engine, lift up the unit and carry it paying attention to the blade.
- When transporting or storing the machine always fit the cutting device guard or guide bar cover.
- When hand-carrying the product, cover over the cutting part if necessary, lift up the product and carry it paying attention to the blade.
- Never transport the product over rough roads over long distances by vehicle without removing all fuel from the fuel tank. If doing so, fuel might leak from the tank during transport.
- Protect the machine from damage when transporting it.

WARNING & DANGER

All models trimmers and brush cutters can throw small stone, metal or small objects as well as the material being cut. Read these "Rules for Safe Operation" With care.

Follow the instructions in your operator's manual.

Read the operator's manual carefully. Be thoroughly familiar with the controls and proper use of the unit. Know how to stop the unit and shut off the engine. Know how to unhook a harnessed unit quickly.

Never allow anyone to use the unit without proper instruction. Be sure the operator wears the foot, leg, eye, face and hearing protection.

Do not rely on the debris shield on the unit to protect your eyes from ricocheting or thrown objects. Keep the area clear of bystanders, children and pets.

Never allow children to operate or play with the unit.

Do not allow anyone to enter the operating DANGER ZONE with you. The danger zone is an area 15 meters in radius (about 16 paces) or 50 feet.

Insist that persons in the RISK ZONE beyond the danger zone wear eye protection from thrown objects. If the unit must be used where there are unprotected people, operate at a low throttle speed to reduce the risk of thrown objects.

Move the stop switch to "stop" position when the engine idles, hereby ensuring it is reliable before cutting. Only may continue to operate the unit when stop switch is in good condition.

Routines for checking that the cutting attachment stops turning when the engine idles.

Hold the brush cutter with the right hand on the trigger handle and the left hand on the left handle.

Keep a firm grip with both hands while in operation.

Brush cutter should be held at a comfortable position with the trigger handle about hip height. Maintain your grip and balance on both feet. Position yourself so that you will not be drawn off balance by the kick-back reaction of the cutting blade.

Use the shoulder harness at all times. Adjust both harness and harness clamp on the unit so that the unit hangs a few inches above ground level. The cutting head and the plastic debris shield should be level in all directions. Harness the unit on the right side of your body.

WARNING & DANGER

In addition to head, eye, face and ear protectors wear shoes to protect your feet and improve your footing on slippery surfaces. Do not wear ties, jewellery, or loose, dangling clothing which could be caught in the unit.

Do not wear open-toed footwear, or go barefoot or bare legged. In certain situations you must wear total face and head protection.

Pay attention so as not to kick back and blade thrust.

Before starting the engine

1. The area within a perimeter of 15m of the person using the product should be considered a hazardous area into which no one should enter. If necessary yellow warning rope, warning signs should be placed around the perimeter of the area. When work is to be performed simultaneously by two or more persons, care should also be taken to constantly look around or otherwise check for the presence and locations of other people working so as to maintain a distance between each person sufficient to ensure safety.
2. Check the condition of working area to avoid any accident by hitting hidden obstacles such as stumps, stones, cans, or broken glass. Remove any obstacle before beginning work.
3. Inspect the entire unit for loose fasteners and fuel leakage. Make sure that the cutting attachment is properly installed and securely fastened.
4. Be sure the debris guard is firmly attached in place.
5. Always use the shoulder strap. Adjust the strap for comfort before starting the engine. The strap should be adjusted so the left hand can comfortably hold the handlebar grip approximately waist high.

Starting the engine

1. Keep bystanders and animals at least 15m away from the operating point. If you are approached, immediately stop the engine.
2. The product is equipped with a centrifugal clutch mechanism, so the cutting attachment begins to rotate as soon as the engine is started by putting the throttle into the start position. When starting the engine, place the product onto the ground in a flat clear area and hold it firmly in place so as to ensure that neither the cutting part nor the throttle come into contact with any obstacle when the engine starts. Never place the throttle into the high-speed position when starting the engine.
3. After starting the engine, check to make sure that the cutting attachment stops rotating when the throttle is moved fully back to its original position. If it continues to rotate even after the throttle has been moved fully back, turn off the engine and take the unit to your authorized **Nakayama** servicing dealer for repair.

Technical Data

Model:	PB5221	PB5600/PB5450	PB7500	PB7700
Displacement:	52cc	52cc	63.3cc	63.3cc
Horsepower:	2hp	2.3hp / 2hp	3hp	3hp
Anti-vibration System:	N/A	YES / N/A	N/A	YES
Shaft dimensions:	28mm*1.5m	28mm*1.5m	28mm*1.5m	28mm*1.5m
Net weight:	7.6kg	8.5kg	8.8kg	10.8kg

* The manufacturer reserves the right to make minor changes to product design and technical specifications without prior notice unless these changes significantly affect the performance and safety of the products. The parts described / illustrated in the pages of the manual that you hold in your hands may also concern other models of the manufacturer's product line with similar features and may not be included in the product you just acquired.

* To ensure the safety and reliability of the product and the warranty validity, all repair, inspection, repair or replacement work, including maintenance and special adjustments, must only be carried out by technicians of the authorized service department of the manufacturer.

* Always use the product with the supplied equipment. Operation of the product with non-provided equipment may cause malfunctions or even serious injury or death. The manufacturer and the importer shall not be liable for injuries and damages resulting from the use of non-conforming equipment.

Identify the parts illustrated on pages 2-3 and follow the corresponding instructions depending on the type of your brush cutter.

Description of main parts (Picture A, page 2 or 3)

1. CUTTING HEAD: Equipped with a cutting Disk or a replaceable nylon trimming line that advances when the trimmer head is tapped against the ground while the head is turning at normal operating speed.
2. DRIVE SHAFT ASSEMBLY: Contains a specially designed inner flexible drive shaft.
3. THROTTLE TRIGGER: Spring loaded to return to idle when released. When accelerating, press trigger gradually for best operating technique .Do not hold trigger while starting.
4. IGNITION SWITCH: Move switch forward to stop, back to start.
5. THROTTLE LOCKOUT: Before acceleration, compress it please.
6. U-HANDLE: this handle can be adjusted at you convenience for comfort.
7. HARNESS ASSEMBLY: a attachment which hang the machine on the operator and adjustable in length.
8. AIR CLEANER COVER: Contains replaceable felt element.
9. FUEL TANK LID.
10. FUEL TANK: Contains fuel and fuel filter.
11. Priming Bulb: Pressing the priming bulb pumps(7 to 10 times before starting),will remove all air and stale fuel from fuel system and bring fresh fuel to the carburettor.
12. CHOKE: the choke control is located on the top of the filter cover.
13. COLD STARTS: Pull lever up to close choke for cold starts. Push lever down for RUN position.
13. DEBRIS SHIELD: Mounted just above the cutting attachment. Helps protect operator by deflecting debris produced during the trimming operation. Do not operate unit without shield.
14. CUT-OFF KNIFE: Trims nylon filament to the correct length-7" ,head to end of line-when nylon trimming head is bumped on the ground during the operation of advancing the line .If trimmer is operated without a cut-off knife the line becomes too long(more than 7") the operating speed will slow down the engine, this will overheat or damage the engine.
15. BLADE: Circular blade for grass, weed or brush cutting applications. Harness, plastic shield and U-Handles required for blade operation.
16. THROTTLE LOCK (not included on all models)

Assembly and main adjustments

Installing the handle (Picture C, page 2)

- Loosen the 4 bolts on the upper cap and insert the handle.
- Re-tighten the bolts securely.

Installing the handle (Picture C, page 3)

- Install handle in bracket. Position handle in a comfortable operating position and tighten the M5X30 and M6X50 screws.

Warning! Do not attempt to disassemble the two special screws. The two clamps position has been adjusted at a suitable place,do not attempt to remove or move them. Otherwise,it can result in serious personal injury.

Installing the handle (Picture C1, page 2)

- Install handle in bracket. Position handle in a comfortable operating position and tighten U Handle Screw Assy.

Installing debris guard (Picture B, page 2)

- Attach the debris guard with the bolts provided to the shaft.

Installing debris guard (Picture B, page 3)

Install the safety cover on the shaft with the safety cover bracket and the screws provided. Tighten the screws after setting the safety cover bracket at the appropriate position.

Caution! Always place the inner ring nut in front of the disc or the nylon trimming heads on the drive shaft of the angle transmission.

Installing the blade (Picture D, page 2)

1. Put the angled bar (1) into the side holes of the inner holder and the gear case.
2. Remove the nut (left-handed) and the outer holder (3) from the gear shaft.
3. Put the blade onto the inner holder (2). make the marked side face the holder.
4. Put the outer holder (3) onto the gear shaft making the recessed side face the blade.
5. Fasten the blade by the nut and the cover (4).

Warning! Always wear protective gloves when handling the blade and place the blade guard when applicable.

Installing the blade (Picture D, page 3)

Insert the hex key (2) into the specific hole in the angle transmission (3) and rotate the blade (1) by hand until the hex key enters the inner hole, blocking rotation.

Unscrew the nut (5) in a clockwise direction.

Pull out the outer ring-nut (7) and remove the blade (1).

Ensure that the grooves in the inner ring-nut (8) match-up perfectly with the angle transmission (3).

Fit the blade (1) and outer ring -nut (7).

Refit the nut (5), fully tightening it in an anticlockwise direction.

Remove the hex key (2).

Warning! Always wear protective gloves when handling the blade and place the blade guard when applicable.

Installing line head (Picture F, page 2)

1. While locking the gear shaft by inserting the supplied tool into the upper holder on the gear box, loosen and remove the nut (left-handed).
2. Detach the cover (1), fit the line head assembly to the gear shaft and hand tighten it securely.

Installing line head (Picture F, page 3)

Insert the hex key (2) into the specific hole in the angle transmission (3) and rotate the cutting line head (1) by hand until the hex key enters the inner hole, blocking rotation.

Ensure that the grooves in the inner ring-nut (4) match perfectly with the angle transmission(3).

Fit the cutting line head (1) turning in an anticlockwise direction.

Remove the hex key (2).

Line head spool replacement: (Pictures G1 and G2)**Balancing the unit**

1. Put on strap and attach unit to strap.
2. Slide clamp up or down until unit balances with head apart from the ground when using it.

Before operation

When mixing gasoline with two cycle engine oil, use only gasoline which contains no ethanol or methanol (types of alcohol). this will help to avoid possible damage to engine fuel lines and other engine parts.

Do not mix gasoline and oil directly in the engine fuel tank.

IMPORTANT: Failure to follow proper fuel mix instructions may cause damage to the engine.

1. When preparing fuel mixture, mix only the amount needed for the job you are to do.

Do not use fuel that has been stored longer than 1 month. Fuel mixture stored longer than this will cause hard starting and poor performance. If fuel mix has been stored longer than this time, it should be removed and filled with fresh mixture.

WARNING! DANGER

2. Never fill the fuel tank to the very top (under 3/4 of the tank)
3. Never add fuel to the tank in a closed non-ventilated area.
4. Don't add fuel to this unit close to an open fire or sparks.
5. Be sure to wipe off spilled fuel before attempting to start engine
6. Do not attempt to refuel a hot engine.

Check points before operation

1. Check for loose bolts, nuts and fittings.
2. Check the air cleaner for dirt. Clean the air filter of all dirt, etc. before operation.
3. Check to be sure that protector is securely in place.
4. Check to be sure that fuel is not leaking.
5. Check to be sure that blade is not cracked.

WARNING! DANGER!

The engine exhaust from this product contains chemicals known to cause cancer, birth defects, or other reproductive harm.

Fuel

Warning: Gasoline is very flammable. Avoid smoking or bringing any flame or sparks near fuel.

Wipe up all spills before starting the engine.

Make sure to stop the engine and allow it cool before starting the engine.

Keep open flames away from the area where fuel is handled or stored.

Important: Never use oil for 4 cycle engine use or water cooled 2-cycle engine.

Never use "FUEL WITH NO OIL (RAW GASOLINE)".

Never use fuel laced with water.

Mixed fuel which have been left unused for period of one month or more may clog the carburettor or result in the engine failing to operate properly. Put remained fuel into an air-tight container and keep it in the dark and cool room.

Please ask for "mixed gasoline for air-cooled 2-cycle engines" at your nearest gas station, or use fuel made by putting unleaded 94 octane gasoline or higher and air-cooled 2-cycle special engine oil into a mixing container in accordance with the following ratios and then shaking to mix well.

Mixing ratios:

Use a special type 2-cycle oil (30ml of oil for each 1L of unleaded gasoline 94 octanes or higher).

Fuelling the unit

1. Untwist and remove the fuel cap. Rest the cap on a dustless place .
2. Put fuel into the fuel tank to 80% of the full capacity.
3. Fasten the fuel cap securely and wipe up any fuel spillage around the unit.

Operation**Engine starting and stopping procedures****Starting a cold engine (Picture E, page 2 & picture G)**

1. Move the stop switch to "START" position.
2. Give a gentle push on the primer pump repeatedly (7-10 times) until fuel comes into the primer pump.
3. Cold Starts: Pull lever up to close choke.
4. Pull starter handle until engine false fires. If fuel tank was not run dry, pull Starter.
5. Push choke lever inwards (excessive cranking with choke lever will cause flooding of engine making it difficult to start).
6. Pull starter handle until engine starts.
7. Allow engine to warm up for a few minutes before using one to three times and engine should start.

Starting a warm engine (Picture E, page 2 & picture G)

If the fuel tank was not run dry, pull starter rope one to three times and engine should start.

Warning! DO NOT USE CHOKE!

If the fuel tank was run dry, after refilling repeat steps 3 - 7 in starting cold engine.

Starting a cold engine (Picture E, page 3 & picture G)

1. Move the ignition switch to "START".
2. Give a gentle push on the primer pump repeatedly (7 -10 times) until fuel comes into the primer pump.
3. Pull the chock lever up to close choke.
4. Move the throttle trigger and keep it in position with the throttle lock (if present).
5. Pull starter handle until engine false fires.
6. Push choke lever inwards(excessive cranking with choke lever will cause flooding of engine making it difficult to start.)
7. Pull starter handle until engine starts.
8. When the engine is started, disconnect the starter by turning the choke lever to "RUN".
9. Disengage the throttle lock (if present) pressing the throttle trigger briefly.
10. Allow engine to warm up for a few minutes before using.

Starting a warm engine (Picture E, page 3 & picture G)

The choke lever to the "RUN"

- If the fuel tank was not run dry, pull starter one to three times and engine should start.
- If fuel tank was run dry, after refilling repeat steps 1-2-7 .

Warning: If the starter rope is been pulled repeatedly with the choke on, it may flood the engine and make starting difficult.

If you have flooded the engine, remove the spark plug and gently pull the handle on the starter rope to eliminate any excess fuel; then dry the spark plug electrodes and replace it on the engine.

Stopping the engine

- Release the throttle trigger and allow the engine to run idle for a few seconds.
- Move switch to STOP position.

Using the shoulder harness

1. Assemble and adjust the shoulder harness and belt.
2. Adjust the shoulder-harness button, and move the hook to your waist, then adjust the belt (if a belt is included).
3. Hang the latch tab on the harness hook.
4. If the brush cutter doesn't balance, then adjust the harness hanger, and the handlebar, until the it balances.

WARNING! The hook is situated at your right hip, and the quick-release latch is situated at the outside.

Before using, please check the shoulder harness and confirm it is OK. Encounter danger, please stop the brush cutter immediately, and pull the quick-release latch tab, the brush cutter will be depart from your body.



Cutting with a nylon head

The CUT - OFF KNIFE will be on the right side of the debris shield.

If the brush cutter is equipped with a bump feet head in order to increase the length of the cutting line press the cutting head on the ground by guiding it downwards.

WARNING! The proper debris shield must be in place on the unit when nylon cutting line is used. The cutting line can flap around if too much line is exposed. Always use the plastic debris shield with cut-off knife when using nylon cutting heads.

For nearly all cutting, it is good to tilt the line head so that contact is made on the part of the line circle where the line is moving away from you and the debris shield.

WARNING&DANGER

Tilting the head to the wrong side will shoot the debris TOWARDS you. If the line head is held flat to the ground so that cutting occurs on the whole line circle, debris will be THROWN at you, drag will slow the engine down, and you will use up a lot of line.

WARNING&DANGER

Never use wire or wire-reinforced line in place of nylon trimmer line. Load your nylon line cutting head only with nylon trimmer line of the proper diameter.

WARNING&DANGER

Use extreme caution when operating over bare spots and gravel, because the line can throw small rock particles at high speeds. Debris shields on the unit cannot stop objects which bounce or ricochet off hard surfaces.

Cutting with a blade

There are many different types of blades, however the two most commonly used are the following.

BRUSH CUTTER BLADE is used for cutting brush and weeds up to 3/4" in diameter.

DANGER! DO NOT TOUCH THESE TYPES OF OBJECTS WITH BLADE: Utility wires, metal stakes, rubber, rocks, masonry, fences.

NEVER USE A BRUSH CUTTER FOR CUTTING TREES.

Do not cut with dull, cracked or damaged metal blade.

Before cutting growth, inspect for obstructions such as boulders, metal stakes or strands of wire from broken fences. If an obstruction cannot be removed, mark its location so that you can avoid it with the blade. Rocks and metal will dull or damage a blade. Wires can catch on the blade head and flap around or be thrown into the air.

Blade thrust is the reaction which may occur when the spinning blade contacts anything it cannot cut. This contact may cause the blade to stop for an instant, and suddenly "thrust" the unit away from the object that was hit. This reaction can be violent enough to cause the operator to lose control of the unit. Blade thrust may occur without warning if the blade snags, stalls or binds. This is more likely to occur in areas where it is difficult to see the material being cut. For cutting ease and safety, approach the weeds being cut from the right to the left, in the event that an unexpected object or woody stock is encountered, this could minimise the blade thrust reaction.

Maintenance and care

Refilling trimming line

1. For replacement line, use a diameter of up to 3mm. The spool is capable for a line up to 6m(20ft) on the 10cm(4") head. Avoid using a larger line as it may cut down the trimming performance.

For safety reasons, do not use metal reinforced line.

2. Pinch the slotted area on the both sides of the spool housing to unhook the bottom cap.

3. Take out the spool and pull off the old line. Put one end of new line through the spool holes and pull it until the length is equal between each part of the line.

4. Wind up the line in the correct direction as indicated on the spool.

5. Hook each end of the line in the slot on the edge of the spool, and then put the ends through the eyelets on the housing. Make sure that the spring and the washers are in place.

6. While holding the spool against the housing, pull the line ends to release them from the slot.

7. Line up the slot on the bottom cap with the hook on the housing, press the cap against the housing until it clicks.

Fast winding thread heads (not included with all models): Align the spool holes with the corresponding head holes, align the two ends of the cutting thread and rotate the head by winding the cutting thread.

Blade (Picture H)

- Check the blade and the fasteners for looseness, cracking, or bending.

- Check the cutting edges and reform with a flat file

1. Keep the end corner sharp.

2. Round the root of the edge, using round file.

3. Do not use water when using a grinder.

- It is recommended that filing should be done by professionals.

- Especially regarding filing the saw blade, Leave it to the professionals.

WARNING: Make sure that the engine has stopped and is cool before performing any service to the machine. Contact with moving cutting head or hot muffler may result in a personal injury.

Air Filter

Accumulated dust in the air filter will reduce engine efficiency. Increase fuel consumption and allow abrasive particles to pass into the engine. Remove the air filter as often as necessary to maintain in a clean condition.

Light surface dust can readily be removed by tapping the filter. Heavy deposits should be washed out in suitable solvent.

Remove filter cover by loosening air filter cover knob.

Adjusting the Carburettor

Do not adjust carburettor unless necessary.

If you have trouble with the carburettor, see your dealer. Improper adjustment may cause engine damage and void warranty.

Fuel filter

Fuel tank is fitted with a filter.

Filter is situated at the free end of fuel pipe and can be picked out through fuel port with a piece of hooked wire or the like.

Check the fuel filter periodically. Do not allow dust to enter into fuel tank. Clogged filter will cause difficulty in starting engine or abnormalities in engine performance.

- When filter is dirty, replace the filter.
- When the inside of the fuel tank is dirty, it can be cleaned by rinsing the tank out with gasoline.

Checking the spark plug (Picture J)

Do not attempt to remove the plug from a hot engine in order to avoid possible damage to the threads.

Clean or replace the plug if fouled with heavy oily deposits.

Replace the plug if the center electrode is worn rounded at the end.

Spark plug gap: 0.6-0.7mm

Gear Case (Picture K)

- The reduction gears are lubricated by a special angled transmission grease, in the gear case. Supply new grease every 25 hours of use or more often depending on the job condition.
- Remove the bolt of the grease nipple and the bolt opposite side of the grease nipple. Install new grease into the grease nipple to arrange for old grease to exit from the opposite side.

Muffler

Inspect periodically, the muffler for loose fasteners, any damage or corrosion. If any sign of exhaust leakage is found, stop using the machine and have it repaired immediately.

Note that failing to do so may result in the engine catching on fire.

PROCEDURES TO BE PERFORMED AFTER EVERY 100 HOURS OF USE

1. Remove the muffler, insert a screwdriver into the vent, and wipe away any carbon build-up. Wipe away any carbon build-up on the muffler exhaust vent and cylinder exhaust port at the same time.
2. Tighten all screws, bolts, and fittings.
3. Check to see if any oil or grease has worked its way in between the clutch lining and drum, and if it has, wipe it away using oil-free, lead-free gasoline.

Transport & Storage

- The engine should be turned off when the unit is moved between work areas.
- After the engine has stopped, the muffler is still hot. Never touch hot parts such as the muffler.
- Confirm that the fuel has not leaked from the tank.
- Allow the engine to cool; empty the fuel tank and secure the unit from moving before transporting in a vehicle, if the blade is fitted, always use the blade guard.

WARNING! DANGER!

- Always place the blade guard on the blade when the unit is not in use. Remove the blade guard before using the unit. If not removed the blade guard could become a thrown object as the blade begins to turn.

WARNING! DANGER!

- Please empty the fuel tank before transporting, to avoid the engine leaking.
- For avoiding the cutting attachment damaged the brush cutter and people, please remove the cutting attachment, and at the same time, reset the brush cutter as factory state, and then cast all parts into the package.
- Before transporting, all parts should be packed and validated safe.

Extended storage

- Inspect, clean and repair unit if necessary.
- Remove all fuel from tank.
- Start engine-This will consume all fuel in fuel line and carburettor.
- Remove spark plug and pour one tea spoon of clean motor oil into spark plug hole of cylinder-replace spark plug.
- Store in clean, dry, dust free area.

WARNING! DANGER!

- Do not store in a closed area where fuel vapours can reach an open flame from hot water heaters, furnaces, etc. Store in a locked, well ventilated area only.

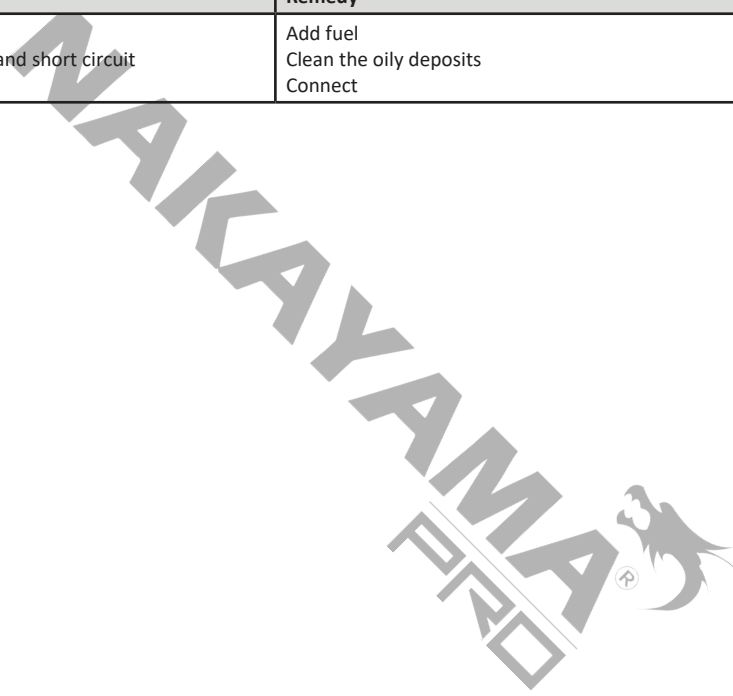
Troubleshooting

1. FAILURE TO START					
Symptom		Possible cause		Remedy	
Cylinder compression pressure normal	Spark plug spark normal	Fuel system abnormality		There is no fuel in tank fuel filter obstructed	Add fuel in tank Clean fuel filter
		Fuel system normal	Fuel	Fuel is too dirty. There is water in fuel. There is too much fuel in the cylinder. Mixture ratio is improper.	Replace the fuel. Replace the fuel. Remove the spark plug and dry it. Mixture proration.
	Fuel system normal	High voltage wire spark normal	Spark plug	Spark plug fouled with oily deposits. Spark plug insulation damage. Spark gap is too large or small.	Clean the oily deposits. Replace the spark plug. Adjust the spark plug gap to 0.6-0.7mm.
		High voltage wire spark abnormality		High voltage wire breach or break off. Coil looseness	Replace or tighten. Tighten.
Fuel system normal	Ignition system normal	Compression pressure is inadequate	Piston ring attrite Piston ring is broken Piston ring cementation Spark plug looseness. Conjoint surface of the cylinder and crank case leak	Replace with a new one Replace Eliminate Tighten Eliminate	
		Compression normal	High voltage wire and spark plug contact poor Stop switch failure or short circuit.	Tighten the spark plug cap. Repair or replace.	

2. LOW OUTPUT		
Symptom	Possible cause	Remedy
Flameout when speedup The smoke is thin, carburetor spout backward.	Fuel filter obstruct Fall short of fuel Muffler fouled with oily deposits	Clean fuel filter, clean fuel road, adjust carburetor
Compress press is inadequate	Piston, piston ring, cylinder attrite	Replace piston, piston ring
Engine leak	Conjoint surface of the cylinder and crankcase leak	Repair
The end of two crank shaft leak	The seal is bad	Replace seal
	Engine overheats Burning chamber fouled with oily deposits	Avoid using it for a long time, in high speed and heavy load. Clean the oily deposits

3. ENGINE RUNNING UNSTABLE		
Symptom	Possible cause	Remedy
There are knock sound in engine	Piston, piston ring, Cylinder attrite, Piston pin, piston attrite, Bearing of crank shaft attrite	Replace piston, piston ring Replace piston pin, piston Replace bearing
There are metal knock sound	Engine overheats Burning chamber fouled with oily deposits Gasoline branded is unfit	
Engine ignition break off	There is water in fuel Spark gap is wrong Coil gap is wrong	Instead fuel Adjust spark gap 0.6-0.7mm Adjust coil gap 0.3-0.4mm

4. THE ENGINE SUDDENLY STOPPED	
Possible cause	Remedy
Fuel has been used up Spark plug fouled with oily deposits and short circuit High voltage wire fall off	Add fuel Clean the oily deposits Connect



Consignes de sécurité

Cette machine peut provoquer des blessures graves. Lisez attentivement les instructions pour manipuler, préparer, entretenir, démarrer et arrêter correctement la machine. Familiarisez-vous avec toutes les commandes et l'utilisation correcte de la machine.

Conservez ce manuel à portée de main afin de pouvoir vous y référer ultérieurement en cas de questions. Notez également que si vous avez des questions auxquelles vous ne pouvez pas répondre dans ce manuel, contactez le revendeur auprès duquel vous avez acheté le produit.

Ne laissez jamais les enfants ou toute personne incapable de comprendre pleinement les instructions données dans le manuel utiliser la machine.

Équipement de sécurité personnelle

Lors de la découpe, veillez à porter les équipements de sécurité suivants :

1. Casque
2. Protections auditives
3. Lunettes de protection ou protecteur facial
4. Gants de travail épais
5. Bottes de travail à semelle antidérapante

Ne portez pas de vêtements amples, de bijoux, de pantalons courts, de sandales ou de pieds nus. Ne portez rien qui puisse être happé par une partie mobile de l'appareil. Attachez vos cheveux de manière à ce qu'ils soient au-dessus de la longueur des épaules.

Lieu de travail

Ne démarrez jamais le moteur dans une pièce ou un bâtiment fermé. Les gaz d'échappement contiennent du monoxyde de carbone dangereux.

N'utilisez jamais le produit :

- A. Lorsque le sol est glissant ou lorsque vous ne pouvez pas maintenir une posture stable.
- B. la nuit, en cas de brouillard épais, ou à tout autre moment où votre champ de vision pourrait être limité et où il serait difficile d'avoir une vue claire de la zone de travail.
- C. Pendant les orages, les tempêtes de foudre, les vents forts ou les coups de vent, ou à tout autre moment où les conditions météorologiques pourraient rendre l'utilisation du produit dangereuse.

- La machine ne doit pas être utilisée si elle n'est pas endommagée et ne fonctionne pas correctement. Si l'appareil ou des parties de celui-ci sont devenus défectueux, faites-le réparer par un technicien spécialisé.

- Respectez toujours les réglementations nationales et internationales en vigueur en matière de sécurité, de santé et de travail.

- N'utilisez la machine que si vous n'avez pas trouvé de défauts lors du contrôle. Si une pièce est devenue défectueuse, veillez à la remplacer avant d'utiliser à nouveau la machine.

- L'environnement doit être exempt de matériaux facilement inflammables et explosifs.

- Ne surchargez pas la machine. N'utilisez la machine que pour l'usage auquel elle est destinée.

- Travaillez toujours avec précaution et restez vigilant : n'utilisez pas la machine si vous êtes fatigué, malade ou sous l'influence de l'alcool, de drogues ou de médicaments, car vous ne serez plus en mesure d'utiliser la machine en toute sécurité.

Avant de démarrer la machine

- Assurez-vous qu'aucune personne ou aucun animal ne se trouve dans votre zone de travail lorsque vous commencez à travailler.

- Assurez-vous qu'il n'y a pas d'obstacles dans votre zone de travail.

- Assurez-vous que votre machine a été entièrement et correctement assemblée.

- Vérifiez le bon fonctionnement de la machine et assurez-vous, en particulier, que le rail de la chaîne ou la tête du taille-haie repose bien et correctement, et que l'interrupteur Marche/Arrêt fonctionne correctement. N'utilisez pas la machine avec un dispositif de coupe endommagé ou très usé.

- La machine va vibrer pendant son fonctionnement. Cela peut entraîner le desserrage de ses vis et pièces. Par conséquent, vérifiez le serrage de toutes les vis et pièces.

Utilisation du produit

Ne coupez que les matériaux recommandés par le fabricant. Et n'utilisez que pour les tâches expliquées dans le manuel.

1. Saisissez fermement les poignées des deux mains en utilisant toute votre main. Placez vos pieds légèrement écartés (un peu plus loin que la largeur de vos épaules) afin que votre poids soit réparti uniformément sur les deux jambes, et veillez toujours à maintenir une posture stable et régulière pendant le travail.
2. Maintenez l'accessoire de coupe en dessous du niveau de la taille.
3. Maintenez le régime du moteur au niveau requis pour effectuer les travaux de coupe, et n'augmentez jamais le régime du moteur au-delà du niveau nécessaire.
4. Si l'appareil se met à trembler ou à vibrer, arrêtez le moteur et vérifiez l'ensemble de l'appareil. Ne l'utilisez pas tant que le problème n'a pas été correctement corrigé.
5. Tenez toutes les parties de votre corps éloignées de l'accessoire de coupe rotatif et des surfaces chaudes.
6. Ne touchez jamais le silencieux, la bougie d'allumage ou d'autres parties métalliques du moteur lorsque celui-ci est en marche ou immédiatement après son arrêt. Cela pourrait entraîner des brûlures graves ou une décharge électrique.

Maintenance

- Afin de maintenir votre produit en bon état de fonctionnement, effectuez à intervalles réguliers les opérations d'entretien et de contrôle décrites dans le manuel.

- Veillez toujours à arrêter le moteur avant d'effectuer toute procédure d'entretien ou de contrôle.

Les pièces métalliques atteignent des températures élevées immédiatement après l'arrêt du moteur.

- N'utilisez que des pièces de rechange d'origine. Seules ces pièces de rechange sont garanties comme étant conçues et adaptées pour être utilisées avec cette machine. L'utilisation d'autres pièces de rechange annulera votre garantie et peut entraîner un danger pour vous-même et votre entourage.

- Si une pièce doit être remplacée ou si des travaux d'entretien ou de réparation non décrits dans le présent manuel doivent être effectués, veuillez contacter notre service d'assistance technique pour obtenir de l'aide.

- Vous ne devez en aucun cas démonter le produit ou le modifier de quelque manière que ce soit. Vous risqueriez d'endommager le produit au cours de son utilisation ou l'incapacité du produit à fonctionner correctement.

Manipulation du carburant

- Le moteur est conçu pour fonctionner avec un carburant mixte, qui contient de l'essence hautement inflammable. Ne stockez jamais de bidons de carburant ou ne remplissez jamais le réservoir de l'appareil dans un endroit où il y a une chaudière, un poêle, un feu de bois, des étincelles électriques, des étincelles de soudage ou toute autre source de chaleur ou de feu qui pourrait enflammer le carburant.
- Ne fumez jamais en utilisant l'appareil ou en remplissant son réservoir de carburant.
- Lorsque vous faites le plein, arrêtez toujours le moteur et laissez-le refroidir. Regardez attentivement autour de vous pour vous assurer qu'il n'y a pas d'étincelles ou de flammes nues à proximité avant de faire le plein.
- Essuyez complètement le carburant renversé à l'aide d'un chiffon sec si un déversement de carburant se produit pendant le ravitaillement.
- Après avoir fait le plein, revissez fermement le bouchon du réservoir de carburant, puis transportez l'appareil jusqu'à un endroit situé à 3 m ou plus de l'endroit où il a été ravitaillé avant de mettre le moteur en marche.

Transport et stockage

- Lorsque vous avez terminé de couper à un endroit et que vous souhaitez poursuivre le travail à un autre endroit, arrêtez le moteur, soulevez l'appareil et transportez-le en faisant attention à la lame.
- Lorsque vous transportez ou rangez la machine, mettez toujours en place la protection du dispositif de coupe ou le couvercle du guide-chaîne.
- Lorsque vous portez le produit à la main, recouvrez la partie coupante si nécessaire, soulevez le produit et portez-le en faisant attention à la lame.
- Ne transportez jamais le produit sur des routes accidentées sur de longues distances avec un véhicule sans retirer tout le carburant du réservoir. Si vous le faites, du carburant pourrait s'échapper du réservoir pendant le transport.
- Protégez la machine contre tout dommage lors de son transport.

AVERTISSEMENT ET DANGER

Tous les modèles de coupe-bordures et de débroussailluses peuvent projeter de petites pierres, du métal ou de petits objets ainsi que le matériau à couper. Lisez ces "Règles pour une utilisation en toute sécurité" avec attention.

Suivez les instructions de votre manuel d'utilisation.

Lisez attentivement le manuel de l'opérateur. Familiarisez-vous avec les commandes et l'utilisation correcte de l'appareil. Savoir comment arrêter l'appareil et couper le moteur. Savoir comment décrocher rapidement une unité harnachée.

Ne permettez jamais à quiconque d'utiliser l'appareil sans instruction appropriée. Veillez à ce que l'opérateur porte des protections pour les pieds, les jambes, les yeux, le visage et les oreilles.

Ne comptez pas sur la protection contre les débris de l'appareil pour protéger vos yeux des ricochets ou des objets projetés. Veillez à ce qu'il n'y ait pas de spectateurs, d'enfants ou d'animaux domestiques dans la zone. Ne laissez jamais les enfants utiliser l'appareil ou jouer avec lui.

Ne permettez à personne de pénétrer avec vous dans la ZONE DE DANGER de fonctionnement. La zone de danger est une zone de 15 mètres de rayon (environ 16 pas) ou de 50 pieds.

Insistez pour que les personnes se trouvant dans la ZONE DE RISQUE au-delà de la zone de danger portent des lunettes de protection contre les objets projetés. Si l'appareil doit être utilisé dans un endroit où se trouvent des personnes non protégées, faites fonctionner l'appareil à une faible vitesse d'accélération pour réduire le risque de projection d'objets.

Placez l'interrupteur d'arrêt sur la position "stop" lorsque le moteur tourne au ralenti, afin de vous assurer qu'il est fiable avant la coupe. Vous ne pouvez continuer à utiliser l'appareil que si l'interrupteur d'arrêt est en bon état.

Routines pour vérifier que l'accessoire de coupe s'arrête de tourner lorsque le moteur tourne au ralenti.

Tenez la débroussailluse avec la main droite sur la poignée de déclenchement et la main gauche sur la poignée gauche.

Gardez une prise ferme avec les deux mains pendant le fonctionnement.

Le débroussaillier doit être tenu dans une position confortable, la poignée de la gâchette étant à peu près à la hauteur des hanches. Maintenez votre prise et votre équilibre sur vos deux pieds. Placez-vous de manière à ne pas être déséquilibré par la réaction de recul de la lame de coupe.

Utilisez le harnais d'épaule à tout moment. Réglez le harnais et la pince du harnais sur l'appareil de manière à ce que l'appareil pende à quelques centimètres au-dessus du niveau du sol. La tête de coupe et la protection plastique contre les débris doivent être de niveau dans toutes les directions.

Attachez l'appareil sur le côté droit de votre corps.

AVERTISSEMENT ET DANGER

En plus des protections de la tête, des yeux, du visage et des oreilles, portez des chaussures pour protéger vos pieds et améliorer votre assise sur les surfaces glissantes. Ne portez pas de cravates, de bijoux ou de vêtements amples et pendants qui pourraient se prendre dans l'appareil.

Ne portez pas de chaussures à bout ouvert, ne vous déplacez pas pieds nus ou jambes nues. Dans certaines situations, vous devez porter une protection totale du visage et de la tête.

Faites attention à ne pas donner des coups de pied en arrière et des coups de lame.

Avant de démarrer le moteur

1. La zone située dans un périmètre de 15 m autour de la personne qui utilise le produit doit être considérée comme une zone dangereuse dans laquelle personne ne doit pénétrer. Si nécessaire, une corde d'avertissement jaune, des panneaux d'avertissement doivent être placés autour du périmètre de la zone. Lorsque le travail doit être effectué simultanément par deux personnes ou plus, il faut également veiller à regarder constamment autour de soi ou à vérifier d'une autre manière la présence et l'emplacement des autres personnes qui travaillent, afin de maintenir une distance suffisante entre chaque personne pour assurer la sécurité.
2. Vérifiez l'état de la zone de travail afin d'éviter tout accident en heurtant des obstacles cachés tels que des souches, des pierres, des boîtes de conserve ou du verre brisé. Retirez tout obstacle avant de commencer le travail.
3. Inspectez l'ensemble de l'appareil pour vérifier que les fixations ne sont pas desserrées et qu'il n'y a pas de fuite de carburant. Assurez-vous que l'accessoire de coupe est correctement installé et solidement fixé.
4. Assurez-vous que la protection contre les débris est bien fixée en place.
5. Utilisez toujours la bandoulière. Ajustez la sangle pour plus de confort avant de démarrer le moteur. La sangle doit être réglée de manière à ce que la main gauche puisse tenir confortablement la poignée du guidon à peu près à hauteur de la taille.

Démarrage du moteur

1. Maintenez les badauds et les animaux à une distance d'au moins 15 m du point de fonctionnement. Si vous êtes approché, arrêtez immédiatement le moteur.
2. Le produit est équipé d'un mécanisme d'embrayage centrifuge, de sorte que l'accessoire de coupe commence à tourner dès que le moteur est démarré en mettant la manette des gaz en position de démarrage. Lors du démarrage du moteur, placez le produit sur le sol dans une zone plane et dégagée et tenez-le fermement en place afin de vous assurer que ni la partie coupante ni la manette des gaz n'entrent en contact avec un quelconque obstacle lorsque le moteur démarre.

Ne placez jamais la manette des gaz en position haute vitesse lorsque vous démarrez le moteur.

3. Après avoir démarré le moteur, vérifiez que l'accessoire de coupe s'arrête de tourner lorsque la manette des gaz est ramenée à sa position initiale. S'il continue à tourner même après que la manette des gaz a été ramenée à sa position initiale, arrêtez le moteur et faites réparer l'appareil chez votre revendeur

Nakayama agréé.

Données techniques

Modèle :	PB5221	PB5600/PB5450	PB7500	PB7700
Déplacement :	52 cm ³	52 cm ³	63.3cc	63.3cc
Puissance :	2 ch	2,3 ch / 2 ch	3hp	3hp
Système anti-vibration :	Non applicable	OUI / Non applicable	Non applicable	OUI
Dimensions de l'arbre :	28mm*1.5m	28mm*1.5m	28mm*1.5m	28mm*1.5m
Poids net :	7,6 kg	8,5 kg	8,8 kg	10,8 kg

* Le fabricant se réserve le droit d'apporter des modifications mineures à la conception et aux spécifications techniques des produits sans préavis, à moins que ces modifications n'affectent de manière significative les performances et la sécurité des produits. Les pièces décrites / illustrées dans les pages du manuel que vous tenez entre vos mains peuvent également concerner d'autres modèles de la gamme de produits du fabricant ayant des caractéristiques similaires et peuvent ne pas être incluses dans le produit que vous venez d'acquérir.

* Pour garantir la sécurité et la fiabilité du produit et la validité de la garantie, tous les travaux de réparation, d'inspection, de réparation ou de remplacement, y compris l'entretien et les réglages spéciaux, doivent être effectués uniquement par des techniciens du service après-vente agréé du fabricant.

* Utilisez toujours le produit avec l'équipement fourni. L'utilisation du produit avec un équipement non fourni peut entraîner des dysfonctionnements, voire des blessures graves ou la mort. Le fabricant et l'importateur ne sont pas responsables des blessures et des dommages résultant de l'utilisation d'un équipement non conforme.

Identifiez les pièces illustrées aux pages 2-3 et suivez les instructions correspondantes en fonction du type de votre débroussailleuse.

Description des principales parties (Image A, page 2 ou 3)

1. TÊTE DE COUPE : Équipée d'un disque de coupe ou d'un fil de coupe en nylon remplaçable qui avance lorsque la tête de coupe est frappée contre le sol alors qu'elle tourne à sa vitesse normale de fonctionnement.
2. ASSEMBLAGE DE L'ARBRE D'ENTRAÎNEMENT : Contient un arbre d'entraînement interne flexible spécialement conçu.
3. Gâchette de papillon : à ressort, elle revient au ralenti lorsqu'elle est relâchée. Lorsque vous accélérez, appuyez progressivement sur la gâchette pour obtenir la meilleure technique de fonctionnement. Ne tenez pas la gâchette pendant le démarrage.
4. COMMUTATEUR D'IGNITION : Avancez le commutateur pour arrêter, reculez pour démarrer.
5. LE VERROUILLAGE DE L'ACCÉLÉRATEUR : Avant l'accélération, compressez-le s'il vous plaît.
6. Poignée en U : cette poignée peut être ajustée à votre convenance pour plus de confort.
7. ASSEMBLAGE DE HARNET : un accessoire qui accroche la machine à l'opérateur et dont la longueur est réglable.
8. COUVERTURE DU NETTOYEUR D'AIR : Contient un élément en feutre remplaçable.
9. COUVERCLE DU RÉSERVOIR DE CARBURANT.
10. RÉSERVOIR DE CARBURANT : Contient le carburant et le filtre à carburant.
11. Poire d'amorçage : En appuyant sur la pompe de la poire d'amorçage (7 à 10 fois avant le démarrage), vous éliminez l'air et le carburant vicié du système d'alimentation et apportez du carburant frais au carburateur.
12. CHOKE : la commande du starter est située sur le dessus du couvercle du filtre.
13. BOUCLIER DE DÉBRIS : Tirez le levier vers le haut pour fermer le starter pour les démarrages à froid. Poussez le levier vers le bas pour la position RUN.
14. BOUCLIER DE DÉBRIS : Monté juste au-dessus de l'accessoire de coupe. Aide à protéger l'utilisateur en déviant les débris produits pendant l'opération de coupe. Ne pas utiliser l'appareil sans le bouclier.
15. COUPEAU DE COUPE : coupe le filament de nylon à la longueur correcte - 7", de la tête à l'extrémité de la ligne - lorsque la tête de coupe en nylon est heurtée sur le sol pendant l'opération d'avancement de la ligne. Si le trimmer est utilisé sans couteau de coupe, la ligne devient trop longue (plus de 7"), la vitesse de fonctionnement ralentira le moteur, ce qui surchauffera ou endommagera le moteur.
16. LAME : lame circulaire pour la coupe de l'herbe, des mauvaises herbes ou des broussailles. Le harnais, la protection en plastique et les poignées en U sont nécessaires pour le fonctionnement de la lame.
17. VERROUILLAGE DU THROTTLE (non inclus sur tous les modèles)

Montage et réglages principaux

Installation de la poignée (Photo C, page 2)

- Desserrez les 4 boulons du capuchon supérieur et insérez la poignée. Resserrez les boulons à fond.

Installation de la poignée (Photo C, page 3)

- Installez la poignée dans le support. Placez la poignée dans une position de fonctionnement confortable et serrez les vis M5X30 et M6X50.
- Attention ! N'essayez pas de démonter les deux vis spéciales. La position des deux pinces a été réglée à un endroit approprié, n'essayez pas de les retirer ou de les déplacer. Sinon, cela peut entraîner des blessures graves.**

Installation de la poignée (Image C1, page 2)

- Installer la poignée dans le support. Placez la poignée dans une position de fonctionnement confortable et serrez la vis de la poignée U.

Installation de la protection contre les débris (Image B, page 2)

- Fixez la protection contre les débris à l'aide des boulons fournis sur l'arbre.

Installation de la protection contre les débris (Image B, page 3)

Installez le couvercle de sécurité sur l'arbre à l'aide du support du couvercle de sécurité et des vis fournies. Serrez les vis après avoir placé le support du couvercle de sécurité à la position appropriée.

Attention! Placez toujours l'écrou de la bague intérieure devant le disque ou les têtes de coupe en nylon sur l'arbre d'entraînement du renvoi d'angle.

Installation de la lame (Image D, page 2)

1. Introduire la barre coudée (1) dans les trous latéraux du support intérieur et du boîtier d'engrenage.
2. Retirer l'écrou (à gauche) et le support extérieur (3) de l'arbre de transmission.
3. Placez la lame sur le support intérieur (2). Faites en sorte que le côté marqué soit face au support.
4. Placez le support extérieur (3) sur l'arbre de transmission en veillant à ce que le côté en creux soit tourné vers la lame.
5. Fixez la lame à l'aide de l'écrou et du couvercle (4).

Avertissement! Portez toujours des gants de protection lorsque vous manipulez la lame et placez le protège-lame le cas échéant.

Installation de la lame (Image D, page 3)

Insérer la clé hexagonale (2) dans le trou spécifique du renvoi d'angle (3) et faire tourner la lame (1) à la main jusqu'à ce que la clé hexagonale entre dans le trou intérieur, bloquant ainsi la rotation.

Dévissez l'écrou (5) dans le sens des aiguilles d'une montre.

Retirez la bague extérieure (7) et retirez la lame (1).

S'assurer que les rainures de la bague-écrou intérieure (8) correspondent parfaitement au renvoi d'angle (3).

Monter la lame (1) et la bague-écrou extérieure (7).

Remettez l'écrou (5) en le serrant à fond dans le sens inverse des aiguilles d'une montre. Retirez la clé hexagonale (2).

Avertissement! Portez toujours des gants de protection lorsque vous manipulez la lame et placez le protège-lame le cas échéant.

Installation de la tête de ligne (Photo F, page 2)

1. Tout en bloquant l'arbre de transmission en insérant l'outil fourni dans le support supérieur de la boîte de vitesses, desserrez et retirez l'écrou (gaucher).
2. Détachez le couvercle (1), montez l'ensemble de la tête de ligne sur l'arbre de transmission et serrez-le fermement à la main.

Installation de la tête de ligne (Photo F, page 3)

Insérez la clé hexagonale (2) dans le trou spécifique du renvoi d'angle (3) et faites tourner la tête de la ligne de coupe (1) à la main jusqu'à ce que la clé hexagonale entre dans le trou intérieur, bloquant ainsi la rotation.

S'assurer que les rainures de la bague intérieure (4) correspondent parfaitement au renvoi d'angle (3).

Montez la tête de la ligne de coupe (1) en tournant dans le sens inverse des aiguilles d'une montre.

Retirez la clé hexagonale (2).

Remplacement de la bobine de la tête de ligne : (Photos G1 et G2)**Équilibrer l'unité**

1. Mettez la sangle et attachez l'unité à la sangle.
2. Faites glisser la pince vers le haut ou vers le bas jusqu'à ce que l'unité soit en équilibre avec la tête écartée du sol lors de son utilisation.

Avant l'utilisation

Lorsque vous mélangez de l'essence avec de l'huile pour moteur à deux temps, n'utilisez que de l'essence ne contenant pas d'éthanol ou de méthanol (types d'alcools).

Ne mélangez pas l'essence et l'huile directement dans le réservoir du moteur.

IMPORTANT : Le non-respect des instructions relatives au mélange de carburant peut endommager le moteur.

1. Lorsque vous préparez le mélange de carburant, ne mélangez que la quantité nécessaire pour le travail à effectuer.

Ne pas utiliser de carburant qui a été stocké pendant plus d'un mois. Un mélange de carburant stocké plus longtemps entraînera des difficultés de démarrage et des performances médiocres.

Si le mélange de carburant a été stocké plus longtemps que cette période, il doit être retiré et rempli de mélange frais.

AVERTISSEMENT ! DANGER

2. Ne remplissez jamais le réservoir de carburant jusqu'en haut (moins de 3/4 du réservoir).
3. N'ajoutez jamais de carburant au réservoir dans un endroit fermé et non ventilé.
4. N'ajoutez pas de combustible à cet appareil à proximité d'un feu ouvert ou d'étincelles.
5. Veillez à essuyer le carburant renversé avant de tenter de démarrer le moteur.
6. N'essayez pas de faire le plein d'un moteur chaud.

Points de contrôle avant l'opération

1. Vérifiez que les boulons, les écrous et les raccords ne sont pas desserrés.
2. Vérifiez que le filtre à air n'est pas encrassé. Nettoyez le filtre à air de toute saleté, etc. avant de l'utiliser.
3. Vérifiez que le protecteur est bien en place.
4. Vérifiez que le carburant ne fuit pas.
5. Vérifiez que la lame n'est pas fendue.

AVERTISSEMENT ! DANGER !

Les gaz d'échappement du moteur de ce produit contiennent des produits chimiques connus pour provoquer des cancers, des malformations congénitales ou d'autres troubles de la reproduction.

Carburant

Avertissement : L'essence est très inflammable. Évitez de fumer ou d'approcher toute flamme ou étincelle à proximité du carburant.

Essuyez tout déversement avant de démarrer le moteur.

Veillez à arrêter le moteur et à le laisser refroidir avant de le démarrer.

Tenez les flammes nues éloignées de la zone où le carburant est manipulé ou stocké.

Important : Ne jamais utiliser d'huile pour moteurs à 2 temps ou les moteurs à 4 temps refroidis par eau.

N'utilisez jamais de "CARBURANT SANS HUILE (ESSENCE BRUTE)".

N'utilisez jamais de carburant additionné d'eau.

Le carburant mélangé qui n'a pas été utilisé pendant une période d'un mois ou plus peut boucher le carburateur ou entraîner un mauvais fonctionnement du moteur. Mettez le carburant resté dans un récipient étanche à l'air et conservez-le dans une pièce sombre et fraîche.

Demandez de l'essence mixte pour moteurs à 2 temps refroidis par air" à la station-service la plus proche, ou utilisez du carburant fabriqué en mettant de l'essence sans plomb à indice d'octane 94 ou supérieur et de l'huile spéciale pour moteurs à 2 temps refroidis par air dans un récipient de mélange selon les rapports suivants, puis en secouant pour bien mélanger.

Rapports de mélange :

Utilisez une huile spéciale pour 2 cycles (30 ml d'huile pour 1 litre d'essence sans plomb 94 octanes ou plus).

Alimentation de l'unité

1. Dévissez et retirez le bouchon de carburant. Posez le bouchon sur un endroit sans poussière.
2. Mettez du carburant dans le réservoir à 80 % de sa capacité totale.
3. Fixez solidement le bouchon du réservoir et essuyez tout déversement de carburant autour de l'appareil.

Opération

Procédures de démarrage et d'arrêt du moteur

Démarrage d'un moteur froid (Photo E, page 2 & photo G)

1. Placez l'interrupteur d'arrêt sur la position "START".
2. Appuyez doucement sur la pompe d'amorçage à plusieurs reprises (7 à 10 fois) jusqu'à ce que le carburant entre dans la pompe d'amorçage.
3. Démarrage à froid : Tirez le levier vers le haut pour fermer le starter.
4. Tirez la poignée du démarreur jusqu'à ce que le moteur fasse un faux feu. Si le réservoir de carburant n'a pas été vidé, tirez sur le démarreur.
5. Poussez le levier de l'étrangleur vers l'intérieur (un démarrage excessif avec le levier de l'étrangleur entraînera une inondation du moteur, ce qui le rendra difficile à démarrer).
6. Tirez la poignée du démarreur jusqu'à ce que le moteur démarre.
7. Laissez le moteur chauffer pendant quelques minutes avant de l'utiliser une à trois fois et le moteur devrait démarrer.

Démarrage d'un moteur chaud (Image E, page 2 & image G)

Si le réservoir de carburant n'a pas été vidé, tirez la corde du démarreur une à trois fois et le moteur devrait démarrer.

Attention ! NE PAS UTILISER LE STARTER !

Si le réservoir de carburant a été vidé, après avoir fait le plein, répétez les étapes 3 à 7 en démarrant le moteur froid.

Démarrage d'un moteur froid (Photo E, page 3 & photo G)

1. Placez le commutateur d'allumage sur "START".
2. Appuyez doucement sur la pompe d'amorçage à plusieurs reprises (7 à 10 fois) jusqu'à ce que le carburant entre dans la pompe d'amorçage.
3. Tirez le levier de calage vers le haut pour fermer le starter.
4. Déplacez la gâchette de l'accélérateur et maintenez-la en position avec le verrou de l'accélérateur (si présent).
5. Tirez la poignée du démarreur jusqu'à ce que le moteur fasse faux bond.
6. Poussez le levier de l'étrangleur vers l'intérieur (un démarrage excessif avec le levier de l'étrangleur entraînera une inondation du moteur, ce qui le rendra difficile à démarrer).
7. Tirez la poignée du démarreur jusqu'à ce que le moteur démarre.
8. Lorsque le moteur est démarré, débranchez le démarreur en tournant le levier du starter sur "RUN".
9. Désengagez le verrouillage de l'accélérateur (s'il existe) en appuyant brièvement sur la gâchette de l'accélérateur.
10. Laissez le moteur se réchauffer pendant quelques minutes avant de l'utiliser.

Démarrage d'un moteur chaud (Image E, page 3 & image G)

Le levier du starter sur la position "RUN".

- Si le réservoir de carburant n'a pas été vidé, tirez le démarreur une à trois fois et le moteur devrait démarrer.
- Si le réservoir de carburant a été vidé, après avoir fait le plein, répétez les étapes 1-2-7.

Avertissement : Si la corde du démarreur est tirée à plusieurs reprises alors que le starter est activé, le moteur risque d'être noyé et le démarrage difficile. Si vous avez noyé le moteur, retirez la bougie et tirez doucement sur la poignée de la corde du démarreur pour éliminer tout excès de carburant ; séchez ensuite les électrodes de la bougie et remplacez-la sur le moteur.

Arrêter le moteur

- Relâchez la gâchette de l'accélérateur et laissez le moteur tourner au ralenti pendant quelques secondes.
- Placez le commutateur en position STOP.

Utilisation du harnais de sécurité

1. Assemblez et réglez le baudrier et la ceinture.
2. Ajustez le bouton du harnais d'épaule, et déplacez le crochet vers votre taille, puis ajustez la ceinture (si une ceinture est incluse).
3. Accrochez la languette de verrouillage au crochet du harnais.
4. Si la débroussailleuse ne s'équilibre pas, réglez le crochet du harnais et le guidon jusqu'à ce qu'elle s'équilibre.

ATTENTION ! Le crochet est situé au niveau de votre hanche droite, et le loquet à libération rapide est situé à l'extérieur.

Avant l'utilisation, veuillez vérifier le harnais de sécurité et confirmer qu'il est correct. En cas de danger, arrêtez immédiatement la débroussailleuse et tirez sur la languette de verrouillage rapide, la débroussailleuse s'éloignera de votre corps.

Coupe avec une tête en nylon

Le couteau coupeur se trouve sur le côté droit du bouclier à débris.

Si la débroussailleuse est équipée d'une tête à pieds bosselés, afin d'augmenter la longueur de la ligne de coupe, appuyez la tête de coupe sur le sol en la guidant vers le bas.

AVERTISSEMENT ! La protection appropriée contre les débris doit être en place sur l'unité lorsque du fil de coupe en nylon est utilisé. Le fil de coupe peut se déplacer si trop de fil est exposé. Utilisez toujours le bouclier à débris en plastique avec le couteau de coupe lorsque vous utilisez des têtes de coupe en nylon.

Pour presque toutes les coupes, il est bon d'incliner la tête de ligne de façon à ce que le contact se fasse sur la partie du cercle de ligne où la ligne s'éloigne de vous et du bouclier à débris.

AVERTISSEMENT&DANGER

Si vous inclinez la tête de ligne du mauvais côté, les débris seront projetés VERS vous. Si la tête de ligne est tenue à plat sur le sol de façon à ce que la coupe se fasse sur tout le cercle de la ligne, les débris seront projetés vers vous, la traînée ralentira le moteur et vous utiliserez beaucoup de ligne.

AVERTISSEMENT&DANGER

N'utilisez jamais de fil métallique ou de fil renforcé à la place d'un fil de coupe en nylon. Ne chargez votre tête de coupe en nylon qu'avec du fil de coupe en nylon de diamètre approprié.

AVERTISSEMENT&DANGER

Soyez extrêmement prudent lorsque vous travaillez sur des endroits dénudés et du gravier, car la ligne peut projeter de petites particules de roche à grande vitesse.

Les écrans anti-débris de l'appareil ne peuvent pas arrêter les objets qui rebondissent ou ricochent sur des surfaces dures.

Couper avec une lame

Il existe de nombreux types de lames, mais les deux plus couramment utilisées sont les suivantes.

LA LAME DE COUPE-BRISE est utilisée pour couper les broussailles et les mauvaises herbes jusqu'à 3/4" de diamètre.

DANGER ! NE TOUCHEZ PAS CES TYPES D'OBJETS AVEC LA LAME : fils électriques, piquets métalliques, caoutchouc, pierres, maçonnerie, clôtures. NE JAMAIS UTILISER UNE DÉBROUSSAILLEUSE POUR COUPER DES ARBRES.

Ne pas couper avec une lame métallique émoussée, fissurée ou endommagée.

Avant de couper la végétation, vérifiez qu'il n'y a pas d'obstacles tels que des rochers, des piquets métalliques ou des fils de fer provenant de clôtures cassées. S'il est impossible d'enlever un obstacle, marquez son emplacement afin de pouvoir l'éviter avec la lame. Les rochers et le métal émoussent ou endommagent la lame. Les fils peuvent s'accrocher à la tête de la lame et se balancer ou être projetés en l'air.

La poussée de la lame est la réaction qui peut se produire lorsque la lame en rotation entre en contact avec un objet qu'elle ne peut pas couper. Ce contact peut provoquer l'arrêt de la lame pendant un instant.

La réaction de l'opérateur peut être assez violente pour qu'il perde le contrôle de l'appareil et que l'appareil s'éloigne soudainement de l'objet touché. Cette réaction peut être suffisamment violente pour que l'opérateur perde le contrôle de l'appareil. La poussée de la lame peut se produire sans avertissement si la lame s'accroche, décroche ou se coince. Cela risque davantage de se produire dans les zones où il est difficile de voir le matériau à couper. Pour faciliter la coupe et la rendre plus sûre, approchez les herbes à couper de la droite vers la gauche, au cas où vous rencontreriez un objet inattendu ou une matière ligneuse, ce qui pourrait minimiser la réaction de la poussée de la lame.

Maintenance et entretien

Remplissage de la ligne d'éboutage

1. Pour la ligne de remplacement, utilisez un diamètre de 3 mm maximum. La bobine peut contenir une ligne jusqu'à 6m (20ft) sur la tête de 10cm (4"). Évitez d'utiliser une ligne plus grosse, car cela pourrait réduire les performances de coupe.

Pour des raisons de sécurité, n'utilisez pas de ligne renforcée par du métal.

2. Pincez la zone fendue des deux côtés du logement de la bobine pour décrocher le capuchon inférieur.

3. Sortez la bobine et retirez l'ancienne ligne. Passez une extrémité de la nouvelle ligne dans les trous de la bobine et tirez-la jusqu'à ce que la longueur soit égale entre chaque partie de la ligne.

4. Enroulez la ligne dans le bon sens, comme indiqué sur la bobine.

5. Accrochez chaque extrémité de la ligne dans la fente située sur le bord de la bobine, puis passez les extrémités dans les œillets du boîtier. Assurez-vous que le ressort et les rondelles sont en place.

6. Tout en maintenant la bobine contre le boîtier, tirez sur les extrémités de la ligne pour les libérer de la fente.

7. Alignez la fente du bouchon inférieur avec le crochet du boîtier, appuyez le bouchon contre le boîtier jusqu'à ce qu'il s'enclenche.

Têtes de fil à bobinage rapide (non fournies avec tous les modèles) : Alignez les trous de la bobine avec les trous correspondants de la tête, alignez les deux extrémités du fil de coupe et faites tourner la tête en enroulant le fil de coupe.

Lame (photo H)

- Vérifiez que la lame et les fixations ne sont pas desserrées, fissurées ou pliées.

- Contrôlez les bords de coupe et réformez-les avec une lime plate.

1. Gardez le coin de l'extrémité tranchant.

2. Arrondissez la racine du bord, en utilisant une lime ronde.

3. N'utilisez pas d'eau lorsque vous utilisez un broyeur.

- Il est recommandé que le classement soit effectué par des professionnels.

- Surtout en ce qui concerne le limage de la lame de scie, laissez-le aux professionnels.

AVERTISSEMENT : Assurez-vous que le moteur s'est arrêté et qu'il est froid avant d'effectuer tout entretien sur la machine. Tout contact avec la tête de coupe en mouvement ou avec des le silencieux peut entraîner des blessures corporelles.

Filtre à air

L'accumulation de poussière dans le filtre à air réduit le rendement du moteur. Elle augmente la consommation de carburant et permet aux particules abrasives de passer dans le moteur. Retirez le filtre à air aussi souvent que nécessaire pour le maintenir en état de propreté.

La poussière superficielle légère peut être facilement enlevée en tapant sur le filtre. Les dépôts importants doivent être éliminés par lavage dans un solvant approprié.

Retirez le couvercle du filtre en desserrant le bouton du couvercle du filtre à air.

Réglage du carburateur

Ne réglez le carburateur que si nécessaire.

Si vous avez des problèmes avec le carburateur, consultez votre revendeur. Un réglage incorrect peut endommager le moteur et annuler la garantie.

Filtre à carburant

Le réservoir de carburant est équipé d'un filtre.

Le filtre est situé à l'extrémité libre du tuyau de carburant et peut être retiré par l'orifice de carburant à l'aide d'un morceau de fil croché ou similaire.

Vérifiez périodiquement le filtre à carburant. Ne laissez pas la poussière pénétrer dans le réservoir de carburant. Un filtre colmaté entraînera des difficultés de démarrage du moteur ou des anomalies dans ses performances.

- Lorsque le filtre est sale, remplacez-le.
- Lorsque l'intérieur du réservoir de carburant est sale, il peut être nettoyé en rinçant le réservoir avec de l'essence.

Contrôle de la bougie d'allumage (Image J)

N'essayez pas de retirer la bougie d'un moteur chaud afin d'éviter d'endommager les filets.

Nettoyez ou remplacez la bougie si elle est encrassée par des dépôts huileux importants.

Remplacez la fiche si l'électrode centrale est usée et arrondie à son extrémité.

Écart entre les bougies d'allumage : 0,6-0,7mm

Boîtier d'engrenage (Photo K)

- Les engrenages de réduction sont lubrifiés par une graisse spéciale pour transmission en angle, dans le carter d'engrenage. Fournir une nouvelle graisse toutes les 25 heures d'utilisation ou plus souvent en fonction des conditions de travail.
- Retirez le boulon du graisseur et le boulon du côté opposé du graisseur. Installez de la graisse neuve dans le graisseur de manière à ce que la graisse usagée sorte par le côté opposé.

Silencieux

Inspectez périodiquement le silencieux pour vérifier que les fixations ne sont pas desserrées, qu'il n'est pas endommagé ou corrodé. Si vous constatez un quelconque signe de fuite d'échappement, cessez d'utiliser la machine et faites-la réparer immédiatement.

Notez que si vous ne le faites pas, le moteur risque de s'enflammer.

PROCÉDURES À EFFECTUER APRÈS TOUTES LES 100 HEURES D'UTILISATION

1. Retirez le silencieux, insérez un tournevis dans l'évent et essuyez toute accumulation de carbone. Essuyez les dépôts de carbone sur l'évent du silencieux et l'orifice d'échappement du cylindre en même temps.
2. Serrez toutes les vis, tous les boulons et tous les raccords.
3. Vérifiez que de l'huile ou de la graisse ne s'est pas infiltrée entre la garniture d'embrayage et le tambour, et si c'est le cas, essuyez-la avec de l'essence sans huile et sans plomb.

Transport et stockage

- Le moteur doit être éteint lorsque l'unité est déplacée entre les zones de travail.
- Après l'arrêt du moteur, le silencieux est encore chaud. Ne touchez jamais les pièces chaudes telles que le silencieux.
- Confirmez que le carburant n'a pas fui du réservoir.
- Laissez le moteur refroidir ; videz le réservoir de carburant et sécurisez l'appareil pour qu'il ne bouge pas avant de le transporter dans un véhicule, si la lame est montée, utilisez toujours la protection de la lame.

AVERTISSEMENT ! DANGER !

- Placez toujours le protège-lame sur la lame lorsque l'appareil n'est pas utilisé. Retirez la protection de la lame avant d'utiliser l'appareil. Si elle n'est pas retirée, la protection de la lame peut devenir un objet projeté lorsque la lame commence à tourner.

AVERTISSEMENT ! DANGER !

- Veuillez vider le réservoir de carburant avant le transport, afin d'éviter les fuites du moteur.
- Pour éviter que l'accessoire de coupe n'endommage la débroussailleuse et les personnes, veuillez retirer l'accessoire de coupe et, en même temps, redresser la brosse.
- Découpez selon l'état de l'usine, puis coulez de toutes les pièces dans l'emballage.
- Avant le transport, toutes les pièces doivent être emballées et validées comme sûres.

Stockage prolongé

- Inspecter, nettoyer et réparer l'unité si nécessaire.
- Retirez tout le carburant du réservoir.
- Démarrez le moteur - Cela consommera tout le carburant dans la conduite de carburant et le carburateur.
- Retirez la bougie et versez une cuillère à café d'huile moteur propre dans le trou de la bougie du cylindre - remplacez la bougie.
- Stocker dans un endroit propre, sec et sans poussière.

AVERTISSEMENT ! DANGER !

- Ne pas stocker dans un endroit fermé où les vapeurs de carburant peuvent atteindre une flamme nue provenant d'un chauffe-eau, d'une chaudière, etc. Stockez uniquement dans un endroit fermé à clé et bien ventilé.

Dépannage

1. DÉFAUT DE DÉMARRAGE					
Problème		Cause possible		Résolution	
Pression de compression des cylindres normale	Bougie d'allumage étincelle normale	Anomalie du système de carburant		Ajouter du carburant dans le réservoir Nettoyer le filtre à carburant	
		Système de carburant normal	Carburant	Le carburant est trop sale. Il y a de l'eau dans le carburant. Il y a trop de carburant dans le cylindre. Le rapport de mélange est incorrect.	Remplacez le carburant. Remplacez le carburant. Retirer la bougie et la sécher. Proration du mélange.
	Système de carburant normal	Étincelle de fil haute tension normale	Bougie d'allumage	Bougie d'allumage encrassée par des dépôts huileux. L'isolation de la bougie d'allumage est endommagée. L'écartement des étincelles est trop grand ou trop petit.	Nettoyer les dépôts huileux. Remplacez la bougie d'allumage. Réglez l'écart de la bougie d'allumage à 0,6-0,7 mm.
		Anomalie de l'étincelle du fil haute tension		Rupture ou rupture d'un fil haute tension. Desserrage de la bobine.	Remplacez ou serrez. Serrez.
Système de carburant normal	Système d'allumage normal	La pression de compression est insuffisante	Le segment de piston est attrité. Le segment de piston est cassé. Le segment de piston est cimenté. La bougie d'allumage est desserrée. Fuite de la surface de jonction du cylindre et du carter de vilebrequin.	Remplacer par un nouveau Remplacer Éliminer Serrer Éliminer	
		Compression normale	Contact entre le fil haute tension et la bougie d'allumage mauvais. Défaillance ou court-circuit de l'interrupteur d'arrêt.	Serrez le capuchon de la bougie d'allumage. Réparer ou remplacer.	

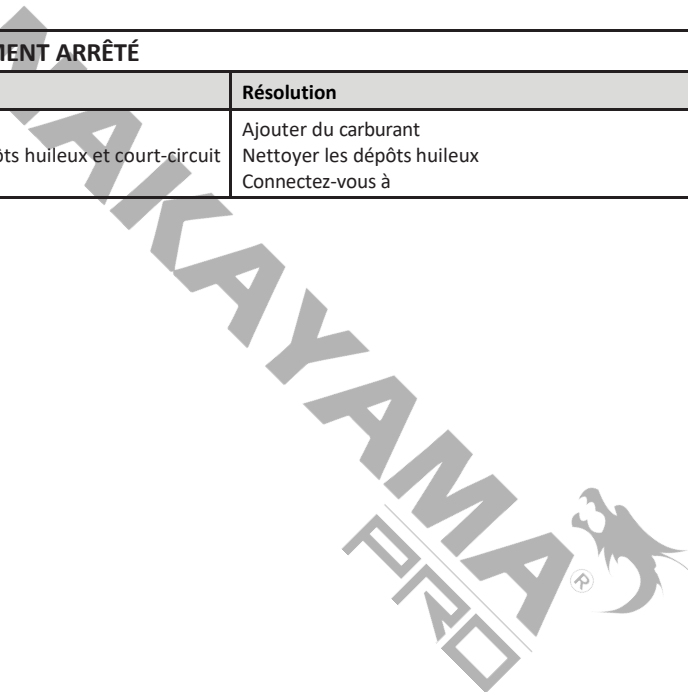
2. SORTIE BASSE		
Problème	Cause possible	Résolution
Extinction lors de l'accélération La fumée est mince, le bec du carburateur en arrière.	Obstruction du filtre à carburant Manque de carburant Silencieux encrassé par des dépôts huileux	Nettoyer le filtre à carburant, nettoyer la route de carburant, régler le carburateur.
La presse de compression est insuffisante	Piston, segment de piston, cylindre attrite	Remplacer le piston, le segment de piston
Fuite du moteur	Surface de jonction du cylindre et du carter qui fuit	Réparation
La fin de la fuite de deux vilebrequins	Le joint est mauvais	Remplacer le joint
	Le moteur surchauffe Chambre de combustion encrassée par des dépôts huileux	Évitez de l'utiliser pendant une longue période, à grande vitesse et avec une charge importante. Nettoyer les dépôts huileux.

3. MOTEUR TOURNANT DE FAÇON INSTABLE

Problème	Cause possible	Résolution
Il y a des bruits de cognement dans le moteur	Piston, segment de piston, Attrouplement de cylindres, Axe de piston, piston attrité, Palier de vilebrequin attrité	Remplacer le piston, le segment de piston Remplacer l'axe du piston, le piston Remplacer le roulement
Il y a des bruits de cliquetis métalliques	Le moteur surchauffe Chambre de combustion encrassée par des dépôts huileux La marque d'essence est usée.	
Coupure de l'allumage du moteur	Il y a de l'eau dans le carburant L'écartement des étincelles est incorrect L'écartement des bobines est incorrect	Régler le carburant Ajuster l'écartement de l'étincelle 0.6-0.7mm Ajuster l'écartement de la bobine 0.3- 0.4mm

4. LE MOTEUR S'EST SOUDAINEMENT ARRÊTÉ

Cause possible	Résolution
Le carburant a été épuisé Bougie d'allumage encrassée par des dépôts huileux et court-circuit Chute du fil haute tension	Ajouter du carburant Nettoyer les dépôts huileux Connectez-vous à



 AIKAYAMA
 PRO

Istruzioni di sicurezza

Que sta macchina può causare gravi lesioni. Leggere attentamente le istruzioni per la corretta manipolazione, preparazione, manutenzione, avviamento e arresto della macchina. Conoscere tutti i comandi e l'uso corretto della macchina.

Tenere a portata di mano questo manuale per poterlo consultare in seguito in caso di domande. Inoltre, in caso di domande che non trovano risposta in questo manuale, contattare il rivenditore presso il quale è stato acquistato il prodotto.

Non permettere mai ai bambini o a chiunque non sia in grado di comprendere appieno le indicazioni fornite nel manuale di utilizzare la macchina.

Attrezzatura di sicurezza personale

Durante le operazioni di taglio, assicurarsi di indossare i seguenti dispositivi di sicurezza:

1. Casco
2. Protezioni per le orecchie
3. Occhiali di protezione o protezioni per il viso
4. Guanti da lavoro spessi
5. Stivali da lavoro con suola antiscivolo

Non indossare abiti larghi, gioielli, pantaloni corti, sandali o camminare a piedi nudi. Non indossare nulla che possa impigliarsi in una parte mobile dell'unità. Assicurare i capelli in modo che siano al di sopra della lunghezza delle spalle.

Posto di lavoro

Non avviare mai il motore all'interno di un locale o di un edificio chiuso. I gas di scarico contengono monossido di carbonio pericoloso.

Non utilizzare mai il prodotto:

- A. Quando il terreno è scivoloso o non si riesce a mantenere una postura stabile.
- B. Di notte, in caso di forte nebbia o in qualsiasi altro momento in cui il campo visivo potrebbe essere limitato e sarebbe difficile avere una visione chiara dell'area di lavoro.
- C. Durante i temporali, i fulmini, i venti forti o impetuosi o in qualsiasi altro momento in cui le condizioni atmosferiche potrebbero rendere pericoloso l'uso del prodotto.

- La macchina non può essere utilizzata se non è integra e funziona correttamente. Se l'apparecchiatura o parti di essa sono diventate difettose, farle riparare da un tecnico specializzato.
 - Rispettare sempre le norme nazionali e internazionali vigenti in materia di sicurezza, salute e lavoro.
 - Non mettere in funzione la macchina se il controllo non ha rilevato alcun difetto. Se un componente è diventato difettoso, sostituirlo prima di utilizzare nuovamente la macchina.
 - L'ambiente deve essere privo di materiali facilmente infiammabili ed esplosivi.
 - Non sovraccaricare la macchina. Utilizzare la macchina solo per lo scopo previsto.
 - Lavorare sempre con attenzione e rimanere vigili: non utilizzare la macchina quando si è stanchi, malati o sotto l'effetto di alcol, droghe o farmaci, poiché non si è più in grado di operare in sicurezza.
- Prima di avviare la macchina
- Assicurarsi che non vi siano persone o animali nell'area di lavoro quando si inizia a lavorare.
 - Assicuratevi che non vi siano ostacoli nell'area di lavoro.
 - Assicurarsi che la macchina sia stata completamente e correttamente assemblata.
 - Verificare il corretto funzionamento della macchina e assicurarsi, in particolare, che la guida della catena o la testa del tagliasepi siano ben salde e correttamente posizionate e che l'interruttore di accensione/spegnimento funzioni correttamente. Non utilizzare la macchina con un dispositivo di taglio danneggiato o molto usurato.
 - La macchina vibra durante il funzionamento. Ciò può causare l'allentamento di viti e parti. Controllare quindi che tutte le viti e le parti siano ben strette.

Utilizzo del prodotto

Tagliare solo i materiali raccomandati dal produttore. E utilizzare solo per le operazioni spiegate nel manuale.

1. Afferrare saldamente le impugnature con entrambe le mani, usando tutta la mano. Posizionare i piedi leggermente distanziati (poco più della larghezza delle spalle) in modo che il peso sia distribuito uniformemente su entrambe le gambe e assicuratevi sempre di mantenere una postura stabile e uniforme durante il lavoro.
2. Tenere l'attrezzo di taglio sotto l'altezza della vita.
3. Mantenere la velocità del motore al livello richiesto per eseguire il lavoro di taglio e non aumentare mai la velocità del motore oltre il livello necessario.
4. Se l'unità inizia a tremare o a vibrare, spegnere il motore e controllare l'intera unità. Non utilizzare l'unità finché il problema non è stato risolto.
5. Tenere tutte le parti del corpo lontane dall'attrezzo di taglio rotante e dalle superfici calde.
6. Non toccare mai la marmitta, la candela o altre parti metalliche del motore mentre il motore è in funzione o subito dopo lo spegnimento. Ciò potrebbe causare gravi ustioni o scosse elettriche.

Manutenzione

- Per mantenere il prodotto in buone condizioni di funzionamento, eseguire le operazioni di manutenzione e controllo descritte nel manuale a intervalli regolari.
 - Spegnere sempre il motore prima di eseguire qualsiasi operazione di manutenzione o controllo.
- Le parti metalliche raggiungono temperature elevate subito dopo l'arresto del motore.
- Utilizzare solo parti di ricambio originali. Solo questi ricambi sono garantiti come progettati e adatti all'uso con questa macchina. L'uso di altri pezzi di ricambio invalida la garanzia e può essere pericoloso per sé e per l'ambiente circostante.
 - Nel caso in cui sia necessario sostituire un componente o eseguire interventi di manutenzione o riparazione non descritti nel presente manuale, si prega di contattare il nostro ufficio tecnico rivenditore per l'assistenza.
 - Non smontare mai il prodotto o modificarlo in alcun modo. In caso contrario, il prodotto potrebbe subire danni durante l'utilizzo.
- o che il prodotto non sia in grado di funzionare correttamente.

Gestione del carburante

- Il motore è progettato per funzionare con un carburante misto, che contiene benzina altamente infiammabile. Non conservate mai le taniche di carburante e non riempite il serbatoio dell'unità in luoghi in cui siano presenti caldaie, stufe, fuochi di legna, scintille elettriche, scintille di saldatura o qualsiasi altra fonte di calore o fuoco che possa incendiare il carburante.
- Non fumare mai durante il funzionamento dell'unità o il rifornimento del serbatoio del carburante.
- Quando si fa rifornimento, spegnere sempre il motore e lasciarlo raffreddare. Prima di fare rifornimento, guardatevi bene intorno per assicurarvi che non ci siano scintille o fiamme libere nelle vicinanze.
- In caso di fuoriuscita di carburante durante il rifornimento, pulire completamente con uno straccio asciutto.
- Dopo il rifornimento, riavvitare saldamente il tappo del serbatoio e portare l'unità in un punto distante almeno 3 metri dal punto in cui è stato effettuato il rifornimento prima di accendere il motore.

Trasporto e stoccaggio

- Quando si finisce di tagliare in un punto e si desidera continuare il lavoro in un altro, spegnere il motore, sollevare l'unità e trasportarla facendo attenzione alla lama.
- Quando si trasporta o si ripone la macchina, montare sempre la protezione del dispositivo di taglio o il coperchio della barra di guida.
- Quando si trasporta il prodotto a mano, coprire la parte di taglio se necessario, sollevare il prodotto e trasportarlo facendo attenzione alla lama.
- Non trasportare mai il prodotto su strade accidentate e per lunghe distanze con un veicolo senza aver rimosso tutto il carburante dal serbatoio. In tal caso, il carburante potrebbe fuoriuscire dal serbatoio durante il trasporto.
- Proteggere la macchina da eventuali danni durante il trasporto.

AVVERTENZE E PERICOLI

Tutti i modelli di tagliabordi e decespugliatori possono lanciare pietre, metalli o piccoli oggetti oltre al materiale da tagliare. Leggete queste "Regole per un utilizzo sicuro" con attenzione.

Seguire le istruzioni del manuale dell'operatore.

Leggere attentamente il manuale dell'operatore. Conoscere a fondo i comandi e l'uso corretto dell'unità. Sapere come fermare l'unità e spegnere il motore.

Sapere come sganciare rapidamente un'unità imbracata.

Non permettere mai a nessuno di utilizzare l'unità senza un'adeguata istruzione. Assicurarsi che l'operatore indossi le protezioni per piedi, gambe, occhi, viso e udito.

Non affidarsi allo schermo anti-detriti dell'unità per proteggere gli occhi da oggetti che rimbalzano o vengono lanciati. Tenere l'area sgombra da passanti, bambini e animali domestici. Non permettere mai ai bambini di utilizzare o giocare con l'unità.

Non permettere a nessuno di entrare con voi nella ZONA DI PERICOLO operativa. La zona di pericolo è un'area di 15 metri di raggio (circa 16 passi) o 50 piedi. Assicurarsi che le persone che si trovano nella ZONA DI RISCHIO, al di là dell'area di pericolo, indossino una protezione per gli occhi contro gli oggetti lanciati. Se l'unità deve essere utilizzata in presenza di persone non protette, operare a una bassa velocità dell'acceleratore per ridurre il rischio di lancio di oggetti.

Portare l'interruttore di arresto in posizione "stop" quando il motore gira al minimo, assicurandosi che sia affidabile prima di tagliare. L'unità può continuare a funzionare solo se l'interruttore di arresto è in buone condizioni.

Procedure per verificare che l'apparato di taglio smetta di girare quando il motore gira al minimo.

Impugnare il decespugliatore con la mano destra sull'impugnatura del grilletto e con la mano sinistra sull'impugnatura sinistra.

Mantenere una presa salda con entrambe le mani durante il funzionamento.

Il decespugliatore deve essere tenuto in una posizione comoda con l'impugnatura del grilletto all'altezza dei fianchi. Mantenere la presa e l'equilibrio su entrambi i piedi. Posizionarsi in modo da non essere sbilanciati dalla reazione di contraccolpo della lama di taglio.

Utilizzare sempre l'imbracatura a spalla. Regolare l'imbracatura e il morsetto dell'imbracatura sull'unità in modo che l'unità penda a pochi centimetri dal livello del suolo. La testa di taglio e la protezione in plastica dai detriti devono essere in piano in tutte le direzioni. Imbracare l'unità sul lato destro del corpo.

AVVERTENZE E PERICOLI

Oltre alle protezioni per la testa, gli occhi, il viso e le orecchie, indossare scarpe per proteggere i piedi e migliorare l'appoggio su superfici scivolose.

Non indossare cravatte, gioielli o indumenti larghi e penzolanti che potrebbero impigliarsi nell'unità.

Non indossare calzature aperte, né andare a piedi o gambe nude. In alcune situazioni è necessario indossare una protezione totale per il viso e la testa.

Prestare attenzione a non calciare all'indietro e a non dare la spinta alla lama.

Prima di avviare il motore

1. L'area entro un perimetro di 15 m dalla persona che utilizza il prodotto deve essere considerata un'area pericolosa in cui non si deve entrare.

Se necessario, lungo il perimetro dell'area devono essere collocati una corda gialla e cartelli di avvertimento. Quando il lavoro deve essere eseguito simultaneamente da due o più persone, è necessario guardarsi costantemente intorno o controllare in altro modo la presenza e l'ubicazione di altre persone che lavorano, in modo da mantenere una distanza tra ciascuna persona sufficiente a garantire la sicurezza.

2. Controllare le condizioni dell'area di lavoro per evitare incidenti dovuti all'urto con ostacoli nascosti come ceppi, pietre, lattine o vetri rotti.

Rimuovere qualsiasi ostacolo prima di iniziare il lavoro.

3. Ispezionare l'intera unità per verificare che non vi siano elementi di fissaggio allentati o perdite di carburante. Assicurarsi che l'attrezzo di taglio sia installato correttamente e fissato saldamente.

4. Assicurarsi che la protezione dai detriti sia fissata saldamente in posizione.

5. Utilizzare sempre la tracolla. Prima di avviare il motore, regolare la cinghia in modo confortevole. La cinghia deve essere regolata in modo che la mano sinistra possa tenere comodamente l'impugnatura del manubrio all'altezza della vita.

Avvio del motore

1. Tenere gli astanti e gli animali ad almeno 15 m di distanza dal punto di lavoro. In caso di avvicinamento, spegnere immediatamente il motore.

2. Il prodotto è dotato di un meccanismo di frizione centrifuga, per cui l'apparato di taglio inizia a ruotare non appena il motore viene avviato mettendo l'acceleratore in posizione di partenza. Quando si avvia il motore, collocare il prodotto a terra in un'area piana e libera e tenerlo saldamente in posizione, in modo da garantire che né la parte di taglio né l'acceleratore entrino in contatto con alcun ostacolo quando il motore si avvia.

Non mettere mai l'acceleratore in posizione di alta velocità quando si avvia il motore.

3. Dopo aver avviato il motore, verificare che l'apparato di taglio smetta di ruotare quando l'acceleratore viene riportato completamente alla posizione originale.

Se continua a ruotare anche dopo che l'acceleratore è stato riportato completamente indietro, spegnere il motore e portare l'unità presso il rivenditore autorizzato **Nakayama** per la riparazione.

Dati tecnici

Modello:	PB5221	PB5600/PB5450	PB7500	PB7700
Spostamento:	52cc	52cc	63,3cc	63,3cc
Potenza in cavalli:	2 CV	2,3 CV / 2 CV	3hp	3hp
Sistema antivibrazioni:	Non applicabile	Si / Non applicabile	Non applicabile	S
Dimensioni dell'albero:	28 mm*1,5 m	28 mm*1,5 m	28 mm*1,5 m	28 mm*1,5 m
Peso netto:	7,6 kg	8,5 kg	8,8 kg	10,8 kg

* Il produttore si riserva il diritto di apportare modifiche minori al design e alle specifiche tecniche del prodotto senza preavviso, a meno che tali modifiche non influiscano significativamente sulle prestazioni e sulla sicurezza dei prodotti. Le parti descritte/illustrate nelle pagine del manuale che avete tra le mani possono riguardare anche altri modelli della linea di prodotti del produttore con caratteristiche simili e potrebbero non essere incluse nel prodotto appena acquistato.

* Per garantire la sicurezza e l'affidabilità del prodotto e la validità della garanzia, tutti gli interventi di riparazione, ispezione, riparazione o sostituzione, compresa la manutenzione e le regolazioni speciali, devono essere eseguiti esclusivamente da tecnici del servizio di assistenza autorizzato dal produttore.

* Utilizzare sempre il prodotto con l'attrezzatura fornita. L'utilizzo del prodotto con apparecchiature non in dotazione può causare malfunzionamenti o addirittura lesioni gravi o morte. Il produttore e l'importatore non sono responsabili per lesioni e danni derivanti dall'uso di apparecchiature non conformi.

Identificare le parti illustrate al le pagine 2-3 e seguire le istruzioni corrispondenti a seconda del tipo di decespugliatore.

Descrizione delle parti principali (figura A, pagina 2 o 3)

- TESTA DI TAGLIO: dotata di un disco di taglio o di un filo di nylon sostituibile che avanza quando la testa del tagliabordi viene battuta contro il terreno mentre la testa gira alla normale velocità di funzionamento.
- ASSEMBLAGGIO ALBERO DI TRASMISSIONE: contiene un albero di trasmissione flessibile interno appositamente progettato.
- TRIGGER DEL TRIMENTO: caricato a molla per tornare al minimo quando viene rilasciato. Quando si accelera, premere il grilletto gradualmente per ottenere la migliore tecnica di funzionamento. Non tenere il grilletto durante l'avviamento.
- INTERRUTTORE DI ACCENSIONE: spostare l'interruttore in avanti per arrestare, indietro per avviare.
- BLOCCO DELL'ACCELERATORE: Prima dell'accelerazione, comprimerlo per favore.
- MANIGLIA A U: questa maniglia può essere regolata a piacimento per garantire il massimo comfort.
- ASSEMBLAGGIO A FASCIA: un accessorio che appende la macchina all'operatore e che è regolabile in lunghezza.
- COPERTURA DEL PULITORE D'ARIA: contiene un elemento in feltro sostituibile.
- COPERCHIO DEL SERBATOIO DEL CARBURANTE.
- Serbatoio del carburante: contiene il carburante e il filtro del carburante.
- Lampadina di adescamento: Premendo le pompe della lampadina di adescamento (da 7 a 10 volte prima dell'avviamento), si rimuove tutta l'aria e il carburante esausto dall'impianto di alimentazione e si introduce carburante fresco nel carburatore.
- CHOKE: il comando dello starter si trova sulla parte superiore del coperchio del filtro.
- AVVIAMENTI A FREDDO: tirare la leva verso l'alto per chiudere lo starter per gli avviamenti a freddo. Spingere la leva verso il basso per ottenere la posizione RUN.
- SCUDO DEBRIS: montato appena sopra l'attrezzo di taglio. Aiuta a proteggere l'operatore deviando i detriti prodotti durante l'operazione di taglio. Non utilizzare l'unità senza lo scudo.
- COLTELLO DI TAGLIO: taglia il filamento di nylon alla lunghezza corretta - 7", dalla testa all'estremità del filo - quando la testa di taglio in nylon viene urtata a terra durante l'operazione di avanzamento del filo. Se il trimmer viene utilizzato senza un coltello di taglio, il filo diventa troppo lungo (più di 7") e la velocità di funzionamento rallenta il motore, che si surriscalda o si danneggia.
- LAMA: lama circolare per applicazioni di taglio di erba, erbacce o sterpaglie. Per il funzionamento della lama sono necessari l'imbracatura, la protezione in plastica e le maniglie a U.
- BLOCCO DEL TRIMESTRE (non incluso in tutti i modelli)

Montaggio e regolazioni principali

Installazione della maniglia (figura C, pagina 2)

- Allentare i 4 bulloni sulla calotta superiore e inserire la maniglia. Serrare nuovamente e saldamente i bulloni.

Installazione della maniglia (figura C, pagina 3)

- Installare la maniglia nella staffa. Posizionare la maniglia in una posizione confortevole e serrare le viti M5X30 e M6X50.

Attenzione! Non tentare di smontare le due viti speciali. La posizione dei due morsetti è stata regolata in un punto adeguato, non tentare di rimuoverli o spostarli. In caso contrario, potrebbero verificarsi gravi lesioni personali.

Montaggio della maniglia (figura C1, pagina 2)

- Installare la maniglia nella staffa. Posizionare la maniglia in una posizione di lavoro comoda e serrare il gruppo di viti della maniglia a U.

Installazione della protezione contro i detriti (figura B, pagina 2)

- Fissare la protezione dai detriti all'albero con i bulloni in dotazione.

Installazione della protezione contro i detriti (figura B, pagina 3)

Installare il coperchio di sicurezza sull'albero con la staffa del coperchio di sicurezza e le viti in dotazione.
Serrare le viti dopo aver posizionato la staffa del coperchio di sicurezza nella posizione appropriata.

Attenzione! Posizionare sempre la ghiera interna davanti al disco o alle testine di rifinitura in nylon sull'albero di trasmissione della trasmissione angolare.

Installazione della lama (figura D, pagina 2)

1. Inserire la barra angolare (1) nei fori laterali del supporto interno e della scatola del cambio.
2. Rimuovere il dado (a sinistra) e il supporto esterno (3) dall'albero dell'ingranaggio.
3. Posizionare la lama sul supporto interno (2). Il lato contrassegnato deve essere rivolto verso il supporto.
4. Collocare il supporto esterno (3) sull'albero dell'ingranaggio con il lato incassato rivolto verso la lama.
5. Fissare la lama con il dado e il coperchio (4).

Attenzione! Indossare sempre guanti protettivi quando si maneggia la lama e posizionare la protezione della lama, se applicabile.

Installazione della lama (figura D, pagina 3)

Inserire la chiave esagonale (2) nel foro specifico della trasmissione angolare (3) e ruotare manualmente la lama (1) finché la chiave esagonale non entra nel foro interno, bloccando la rotazione.

Svitare il dado (5) in senso orario.

Estrarre la ghiera esterna (7) e rimuovere la lama (1).

Assicurarsi che le scanalature della ghiera interna (8) combacino perfettamente con la trasmissione angolare (3).

Montare la lama (1) e la ghiera esterna (7).

Rimontare il dado (5), serrandolo completamente in senso antiorario.

Rimuovere la chiave esagonale (2).

Attenzione! Indossare sempre guanti protettivi quando si maneggia la lama e posizionare la protezione della lama, se applicabile.

Installazione della testata (figura F, pagina 2)

1. Mentre si blocca l'albero del cambio inserendo l'utensile in dotazione nel supporto superiore della scatola del cambio, allentare e rimuovere il dado (a sinistra).
2. Staccare il coperchio (1), montare il gruppo della testa della linea sull'albero dell'ingranaggio e serrarlo saldamente a mano.

Installazione della testa di linea (figura F, pagina 3)

Inserire la chiave esagonale (2) nel foro specifico della trasmissione angolare (3) e ruotare manualmente la testa della linea di taglio (1) finché la chiave esagonale non entra nel foro interno, bloccando la rotazione.

Assicurarsi che le scanalature della ghiera interna (4) combacino perfettamente con la trasmissione angolare (3).

Montare la testa della linea di taglio (1) ruotando in senso antiorario.

Rimuovere la chiave esagonale (2).

Sostituzione della bobina della testa della lenza: (Immagini G1 e G2)**Bilanciamento dell'unità**

1. Indossare la cinghia e fissare l'unità alla cinghia.
2. Far scorrere la pinza verso l'alto o verso il basso fino a quando l'unità si bilancia con la testa distanziata dal suolo durante l'utilizzo.

Prima dell'uso

Quando si miscela la benzina con l'olio per motori a due tempi, utilizzare solo benzina che non contenga etanolo o metanolo (tipi di alcool). Questo aiuterà a evitare possibili danni ai condotti di alimentazione del motore e ad altre parti del motore.

Non mescolare benzina e olio direttamente nel serbatoio del motore.

IMPORTANTE: la mancata osservanza delle istruzioni sulla corretta miscelazione del carburante può causare danni al motore.

1. Quando si prepara la miscela di carburante, mescolare solo la quantità necessaria per il lavoro da svolgere.

Non utilizzare carburante conservato per più di 1 mese. Se la miscela di carburante è stata conservata per più di questo periodo, è necessario rimuoverla e riempirla con miscela fresca.

ATTENZIONE! PERICOLO

2. Non riempire mai il serbatoio di carburante fino all'orlo (meno di 3/4 del serbatoio).
3. Non aggiungere mai carburante al serbatoio in un'area chiusa e non ventilata.
4. Non aggiungere carburante a questa unità in prossimità di un fuoco aperto o di scintille.
5. Assicurarsi di eliminare il carburante versato prima di tentare di avviare il motore.
6. Non tentare di rifornire di carburante un motore caldo.

Punti di controllo prima del funzionamento

1. Controllare che non vi siano bulloni, dadi e raccordi allentati.
2. Controllare che il filtro dell'aria non sia sporco. Pulire il filtro dell'aria da ogni traccia di sporco, ecc. prima del funzionamento.
3. Verificare che la protezione sia saldamente in posizione.
4. Verificare che non vi siano perdite di carburante.
5. Verificare che la lama non sia incrinata.

ATTENZIONE! PERICOLO!

Lo scarico del motore di questo prodotto contiene sostanze chimiche note per causare cancro, difetti di nascita o altri danni riproduttivi.

Carburante

Attenzione: La benzina è molto infiammabile. Evitare di fumare o di avvicinare fiamme o scintille al carburante.

Pulire tutte le fuoriuscite prima di avviare il motore.

Prima di avviare il motore, arrestarlo e lasciarlo raffreddare.

Tenere le fiamme libere lontane dall'area in cui viene maneggiato o stoccato il carburante.

Importante: non utilizzare mai olio per motori a 4 cicli o per motori a 2 cicli raffreddati ad acqua.

Non utilizzare mai "CARBURANTE SENZA OLIO (GASOLINA GREZZA)".

Non utilizzare mai carburante addizionato con acqua.

Il carburante misto lasciato inutilizzato per un mese o più può intasare il carburatore o causare il malfunzionamento del motore. Mettete il carburante rimasto in un contenitore ermetico e conservatelo al buio e al fresco.

Chiedere la "benzina miscelata per motori a 2 tempi raffreddati ad aria" alla stazione di servizio più vicina, oppure utilizzare un carburante ottenuto mettendo in un contenitore di miscelazione la benzina senza piombo a 94 ottani o superiore e l'olio speciale per motori a 2 tempi raffreddati ad aria, secondo i rapporti indicati di seguito, e poi agitando per miscelare bene.

Rapporti di miscelazione:

Utilizzare un olio per 2 tempi di tipo speciale (30 ml di olio per ogni 1 litro di benzina senza piombo a 94 ottani o superiore).

Alimentazione dell'unità

1. Svitare e rimuovete il tappo del carburante. Appoggiare il tappo in un luogo privo di polvere.
2. Introdurre il carburante nel serbatoio fino all'80% della sua capacità.
3. Fissare saldamente il tappo del carburante e pulire eventuali fuoriuscite di carburante intorno all'unità.

Operazione

Procedure di avviamento e arresto del motore

Avviamento a motore freddo (figura E, pagina 2 e figura G)

1. Portare l'interruttore di arresto in posizione "START".
2. Spingere delicatamente la pompa di adescamento ripetutamente (7-10 volte) finché il carburante non entra nella pompa di adescamento.
3. Avviamento a freddo: Tirare la leva verso l'alto per chiudere lo starter.
4. Tirare la maniglia di avviamento finché il motore non si accende. Se il serbatoio non è stato svuotato, tirare il motorino di avviamento.
5. Spingere la leva dello starter verso l'interno (una manovra eccessiva con la leva dello starter provoca l'ingolfamento del motore, rendendone difficile l'avviamento).
6. Tirare la maniglia di avviamento finché il motore non si avvia.
7. Lasciare scaldare il motore per qualche minuto prima di utilizzarlo da una a tre volte e il motore dovrebbe avviarsi.

Avvio a motore caldo (figura E, pagina 2 e figura G)

Se il serbatoio del carburante non è rimasto a secco, tirare la fune di avviamento da una a tre volte e il motore dovrebbe avviarsi.

Attenzione! NON USARE LO STARTER!

Se il serbatoio del carburante è rimasto a secco, dopo il rifornimento ripetere i passaggi da 3 a 7 per l'avviamento a motore freddo.

Avviamento a motore freddo (figura E, pagina 3 e figura G)

1. Portare il commutatore di accensione su "START".
2. Spingere delicatamente la pompa di adescamento ripetutamente (7-10 volte) finché il carburante non entra nella pompa di adescamento.
3. Tirare la leva di blocco verso l'alto per chiudere lo starter.
4. Spostare il grilletto dell'acceleratore e mantenerlo in posizione con il blocco dell'acceleratore (se presente).
5. Tirare la maniglia di avviamento finché il motore non si accende.
6. Spingere la leva dello starter verso l'interno (una manovra eccessiva con la leva dello starter provoca l'ingolfamento del motore, rendendone difficile l'avviamento).
7. Tirare la maniglia di avviamento finché il motore non si avvia.
8. Quando il motore è avviato, scollegare il motorino di avviamento ruotando la leva dello starter su "RUN".
9. Disattivare il blocco dell'acceleratore (se presente) premendo brevemente il grilletto dell'acceleratore.
10. Lasciare riscaldare il motore per qualche minuto prima di utilizzarlo.

Avviamento a motore caldo (figura E, pagina 3 e figura G)

La leva dello starter in posizione "RUN".

- Se il serbatoio del carburante non è rimasto a secco, tirare il motorino di avviamento da una a tre volte e il motore dovrebbe avviarsi.
- Se il serbatoio è rimasto a secco, dopo il rifornimento ripetere i punti 1-2-7.

Attenzione: Se la fune di avviamento viene tirata ripetutamente con lo starter inserito, il motore potrebbe ingolfarsi e l'avviamento risultare difficoltoso. Se il motore si è ingolfato, rimuovere la candela e tirare delicatamente la maniglia della fune di avviamento per eliminare il carburante in eccesso; quindi asciugare gli elettrodi della candela e rimetterla sul motore.

Arresto del motore

- Rilasciare il grilletto dell'acceleratore e lasciare che il motore giri al minimo per qualche secondo.
- Portare l'interruttore in posizione STOP.

Utilizzo dell'imbracatura a spalla

1. Montare e regolare la bretella e la cintura.
2. Regolare il pulsante dell'imbracatura per le spalle e spostare il gancio in vita, quindi regolare la cintura (se la cintura è inclusa).
3. Agganciare la linguetta di chiusura al gancio dell'imbracatura.
4. Se il decespugliatore non si bilancia, regolare il gancio dell'imbracatura e il manubrio finché non si bilancia.

ATTENZIONE! Il gancio si trova sul fianco destro e la chiusura rapida si trova all'esterno.

Prima dell'uso, controllare l'imbracatura a tracolla e verificare che sia a posto. In caso di pericolo, fermare immediatamente il decespugliatore e tirare la linguetta a sgancio rapido: il decespugliatore si allontanerà dal corpo.

Taglio con testa in nylon

Il coltello da taglio si trova sul lato destro dello scudo anti-detriti.

Se il decespugliatore è dotato di una testina con piedi a sbalzo, per aumentare la lunghezza della linea di taglio premere la testina a terra guidandola verso il basso.

ATTENZIONE! Quando si utilizza il filo di nylon, l'unità deve essere dotata di un'adeguata protezione contro i detriti. Il filo di taglio può sbandare se è troppo esposto. Quando si utilizzano teste di taglio in nylon, utilizzare sempre la protezione dai detriti in plastica con il coltello da taglio.

Per quasi tutti i tagli, è bene inclinare la testa della lenza in modo che il contatto avvenga sulla parte del cerchio di lenza in cui la lenza si allontana dall'operatore e dalla protezione dai detriti.

ATTENZIONE E PERICOLO

Se la testa della lenza viene tenuta piatta al suolo, in modo che il taglio avvenga sull'intero cerchio della lenza, i detriti verranno scagliati contro di voi, la resistenza aerodinamica rallenterà il motore e si consumerà molta lenza.

ATTENZIONE E PERICOLO

Non utilizzare mai filo o filo rinforzato al posto del filo di nylon. Caricare la testa di taglio in nylon solo con filo di nylon del diametro corretto.

ATTENZIONE E PERICOLO

Prestare la massima attenzione quando si opera su terreni nudi e ghiaia, perché la linea può lanciare piccole particelle di roccia ad alta velocità. Gli schermi anti-detrimenti dell'unità non sono in grado di bloccare gli oggetti che rimbalzano su superfici dure.

Taglio con lama

Esistono diversi tipi di lame, ma le due più utilizzate sono le seguenti.

La LAMA TAGLIAPOLVERE è utilizzata per tagliare sterpaglie ed erbacce fino a 3/4" di diametro.

PERICOLO! NON TOCCARE CON LA LAMA QUESTI TIPI DI OGGETTI: Fili elettrici, pali metallici, gomma, rocce, muratura, recinzioni.

NON USARE MAI UN DECESPUGLIATORE PER TAGLIARE GLI ALBERI.

Non tagliare con lame di metallo opache, incrinata o danneggiata.

Prima di tagliare la vegetazione, controllate che non vi siano ostacoli come massi, pali di metallo o fili di ferro di recinzioni rotte. Se un ostacolo non può essere rimosso, segnatene la posizione in modo da poterlo evitare con la lama. I sassi e il metallo possono opacizzare o danneggiare la lama. I fili metallici possono impigliarsi nella testa della lama e sbattere o essere lanciati in aria.

La spinta della lama è la reazione che può verificarsi quando la lama in rotazione entra in contatto con qualcosa che non può tagliare. Questo contatto può causare l'arresto della lama per un istante e "spingere" improvvisamente l'unità lontano dall'oggetto colpito. Questa reazione può essere così violenta da far perdere all'operatore il controllo dell'unità. La spinta della lama può avvenire senza preavviso se la lama si impiglia, si blocca o si lega. È più probabile che ciò avvenga in aree in cui è difficile vedere il materiale da tagliare. Per tagliare con facilità e sicurezza, avvicinarsi alle erbacce da tagliare da destra a sinistra, nel caso in cui si incontri un oggetto imprevisto o una massa legnosa, in modo da ridurre al minimo la reazione di spinta della lama.

Manutenzione e cura

Riempimento della linea di rifilatura

1. Per il filo di ricambio, utilizzare un diametro fino a 3 mm. Il rocchetto è in grado di contenere un filo fino a 6 m (20 piedi) con la testa da 10 cm (4").

Evitare di utilizzare un filo più grande per non ridurre le prestazioni di taglio.

Per motivi di sicurezza, non utilizzare linee metalliche rinforzate.

2. Pizzicare l'area scanalata su entrambi i lati dell'alloggiamento del rocchetto per sganciare il tappo inferiore.

3. Estrarre la bobina ed estrarre la vecchia lenza. Inserire un'estremità della nuova lenza nei fori del rocchetto e tirarla finché la lunghezza non è uguale tra le due parti della lenza.

4. Avvolgere il filo nella direzione corretta, come indicato sulla bobina.

5. Agganciare ogni estremità del filo nella fessura sul bordo del rocchetto, quindi far passare le estremità attraverso gli occhielli sull'alloggiamento.

Assicurarsi che la molla e le rondelle siano al loro posto.

6. Tenendo la bobina contro l'alloggiamento, tirare le estremità della linea per liberarle dalla fessura.

7. Allineare la fessura sul tappo inferiore con il gancio sull'alloggiamento, premere il tappo contro l'alloggiamento finché non scatta.

Teste di filo ad avvolgimento rapido (non incluse in tutti i modelli): Allineare i fori del rocchetto con i corrispondenti fori della testa, allineare le due estremità del filo di taglio e ruotare la testa avvolgendo il filo di taglio.

Lama (figura H)

- Controllare che la lama e i dispositivi di fissaggio non siano allentati, incrinati o piegati.

- Controllare i bordi di taglio e riformarli con una lima piatta.

- Mantenere l'angolo finale affilato.

- Arrotondare la radice del bordo, utilizzando una lima rotonda.

- Non utilizzare l'acqua quando si utilizza una smerigliatrice.

- Si raccomanda che l'archiviazione venga effettuata da professionisti.

- Soprattutto per quanto riguarda la limatura della lama, lasciatela ai professionisti.

AVVERTENZA: Prima di eseguire qualsiasi intervento sulla macchina, accertarsi che il motore sia fermo e freddo. Il contatto con la testa di taglio in movimento o con le parti calde marmitta può provocare lesioni personali.

Filtro dell'aria

L'accumulo di polvere nel filtro dell'aria riduce l'efficienza del motore. Aumenta il consumo di carburante e consente il passaggio di particelle abrasive nel motore. Rimuovere il filtro dell'aria ogni volta che è necessario per mantenerlo pulito.

La polvere superficiale leggera può essere facilmente rimossa picchiettando il filtro. I depositi pesanti devono essere lavati con un solvente adatto. Rimuovere il coperchio del filtro allentando la manopola del coperchio del filtro dell'aria.

Regolazione del carburatore

Non regolare il carburatore se non è necessario.

In caso di problemi con il carburatore, rivolgersi al proprio rivenditore. Una regolazione errata può causare danni al motore e invalidare la garanzia.

Filtro carburante

Il serbatoio del carburante è dotato di un filtro.

Il filtro è situato all'estremità libera del tubo del carburante e può essere prelevato attraverso l'attacco del carburante con un pezzo di filo uncinato o simili.

Controllare periodicamente il filtro del carburante. Non lasciare che la polvere penetri nel serbatoio del carburante. Un filtro intasato può causare difficoltà di avviamento o anomalie nelle prestazioni del motore.

- Quando il filtro è sporco, sostituirlo.
- Quando l'interno del serbatoio del carburante è sporco, è possibile pulirlo sciacquando il serbatoio con della benzina.

Controllo della candela (figura J)

Non tentare di rimuovere il tappo da un motore caldo per evitare di danneggiare le filettature.

Pulire o sostituire l'otturatore se è incrostato da pesanti depositi oleosi.

Sostituire la spina se l'elettrodo centrale è arrotondato all'estremità.

Distanza tra le candele: 0,6-0,7 mm

Scatola ingranaggi (figura K)

- Gli ingranaggi di riduzione sono lubrificati da uno speciale grasso di trasmissione angolato, nella scatola degli ingranaggi. Fornire nuovo grasso ogni 25 ore di utilizzo o più spesso a seconda delle condizioni di lavoro.
- Rimuovere il bullone dell'ingrassatore e il bullone sul lato opposto dell'ingrassatore. Installare il nuovo grasso nell'ingrassatore in modo che il grasso vecchio esca dal lato opposto.

Marmitta

Ispezionare periodicamente la marmitta per verificare che non vi siano elementi di fissaggio allentati, danni o corrosione. Se si riscontrano segni di perdite di gas di scarico, interrompere l'uso della macchina e farla riparare immediatamente.

Si noti che, in caso contrario, il motore potrebbe incendiarsi.

PROCEDURE DA ESEGUIRE OGNI 100 ORE DI UTILIZZO

1. Rimuovere la marmitta, inserire un cacciavite nello sfiato ed eliminare eventuali accumuli di carbonio. Eliminare contemporaneamente gli accumuli di carbonio sullo sfiato della marmitta e sulla porta di scarico del cilindro.
2. Serrare tutte le viti, i bulloni e i raccordi.
3. Controllare se tra il rivestimento della frizione e il tamburo sono penetrati olio o grasso e, in tal caso, eliminarli con benzina senza olio e senza piombo.

Trasporto e stoccaggio

- Il motore deve essere spento quando l'unità viene spostata tra le aree di lavoro.
- Dopo l'arresto del motore, la marmitta è ancora calda. Non toccare mai parti calde come la marmitta.
- Verificare che il carburante non sia fuoriuscito dal serbatoio.
- Lasciare raffreddare il motore; svuotare il serbatoio del carburante e bloccare l'unità prima di trasportarla su un veicolo.

ATTENZIONE! PERICOLO!

- Posizionare sempre la protezione della lama sulla lama quando l'unità non è in uso. Rimuovere la protezione della lama prima di utilizzare l'unità. Se non viene rimossa, la protezione della lama potrebbe diventare un oggetto lanciato quando la lama inizia a girare.

ATTENZIONE! PERICOLO!

- Svuotare il serbatoio del carburante prima del trasporto, per evitare perdite del motore.
- Per evitare che l'attrezzo di taglio danneggi il decespugliatore e le persone, rimuovere l'attrezzo di taglio e, allo stesso tempo, riavvolgere la spazzola.
- Taglierina come da stato di fabbrica, e poi colata di tutte le parti nel pacchetto.
- Prima del trasporto, tutte le parti devono essere imballate e convalidate in modo sicuro.

Archiviazione estesa

- Ispezionare, pulire e riparare l'unità, se necessario.
- Rimuovere tutto il carburante dal serbatoio.
- Avviare il motore: in questo modo si consuma tutto il carburante presente nel tubo di alimentazione e nel carburatore.
- Rimuovere la candela e versare un cucchiaino di olio motore pulito nel foro della candela del cilindro.
- Conservare in un luogo pulito, asciutto e privo di polvere.

ATTENZIONE! PERICOLO!

- Non immagazzinare in un'area chiusa dove i vapori del combustibile possono raggiungere una fiamma libera da scaldabagni, forni, ecc. Conservare solo in un'area chiusa e ben ventilata.

Risoluzione dei problemi

1. MANCATO AVVIO					
Problema			Possibile causa	Risoluzione	
Pressione di compressione del cilindro normale	Candela di scintilla normale	Anomalia del sistema di alimentazione		Il filtro del carburante non è presente nel serbatoio.	Aggiungere carburante nel serbatoio Pulire il filtro del carburante
		Sistema di alimentazione normale	Carburante	Il carburante è troppo sporco. C'è acqua nel carburante. C'è troppo carburante nel cilindro. Il rapporto di miscela non è corretto.	Sostituire il carburante. Sostituire il carburante. Rimuovere la candela e asciugarla. Preparazione della miscela.
	Sistema di alimentazione normale	Scintilla del filo ad alta tensione normale	Candela di accensione	Candela sporca di depositi oleosi. Danni all'isolamento della candela. Lo spazio tra le scintille è troppo grande o troppo piccolo.	Pulire i depositi oleosi. Sostituire la candela. Regolare la distanza tra le candele a 0,6-0,7 mm.
		Anomalia della scintilla del filo ad alta tensione		Rottura o rottura del filo dell'alta tensione. Allentamento della bobina	Sostituire o stringere. Stringere.
Sistema di alimentazione normale	Sistema di accensione normale	La pressione di compressione è inadeguata	Anello del pistone attrito. L'anello del pistone è rotto. Cementazione dell'anello del pistone. Allentamento della candela. Superficie di congiunzione del cilindro e del basamento che perde	Sostituire con uno nuovo Sostituire Eliminare Stringere Eliminare	
		Compressione normale	Il filo dell'alta tensione e il contatto della candela sono insufficienti Guasto o cortocircuito dell'interruttore di arresto.	Serrare il cappuccio della candela. Riparare o sostituire.	

2. USCITA BASSA		
Problema	Possibile causa	Risoluzione
Flameout quando si accelera Il fumo è sottile, il beccuccio del carburatore è indietro.	Ostruzione del filtro del carburante Manca il carburante Marmitta sporca di depositi oleosi	Pulire il filtro del carburante, pulire la strada del carburante, regolare il carburatore
La presa di compressione è inadeguata	Pistone, fasce elastiche, cilindro attrite	Sostituire il pistone, l'anello del pistone
Perdita del motore	Superficie di congiunzione del cilindro e del basamento che perde	Riparazione
La fine di due perdite dell'albero a gomito	La guarnizione è difettosa	Sostituire la guarnizione
	Il motore si surriscalda Camera di combustione sporca di depositi oleosi	Evitare di utilizzarlo per lungo tempo, ad alta velocità e con carichi elevati. Pulire i depositi oleosi

3. FUNZIONAMENTO INSTABILE DEL MOTORE

Problema	Possibile causa	Risoluzione
Il motore emette un suono di bussata	Pistone, fasce elastiche, Cilindro attrito, Perno del pistone, attrito del pistone, cuscinetto dell'albero a gomito attrito	Sostituire il pistone, l'anello del pistone Sostituire lo spinotto, il pistone Sostituire il cuscinetto
Ci sono colpi di metallo	Il motore si surriscalda Camera di combustione sporca di depositi oleosi Il marchio della benzina è inadeguato	
Interruzione dell'accensione del motore	C'è acqua nel carburante La distanza tra le scintille è sbagliata La distanza tra le bobine è sbagliata	Invece il carburante Regolare la distanza tra le scintille 0,6-0,7 mm Regolare la distanza tra le bobine 0,3-0,4 mm

4. IL MOTORE SI È IMPROVVISAMENTE FERMATO

Possibile causa	Risoluzione
Il carburante è stato consumato Candela sporca di depositi oleosi e cortocircuito Caduta del filo dell'alta tensione	Aggiungere carburante Pulire i depositi oleosi Collegare

Οδηγίες ασφαλείας

Αυτό το εργαλείο μπορεί να προκαλέσει σοβαρά τραύματα. Διαβάστε προσεκτικά τις οδηγίες για τον σωστό χειρισμό, την προετοιμασία, τη συντήρηση, την εκκίνηση και τη διακοπή λειτουργίας του εργαλείου. Βεβαιωθείτε πως έχετε εξοικειωθεί με την τρόπο λειτουργίας των χειριστηρίων και με τη σωστή χρήση του εργαλείου.

Φυλάξτε αυτό το εγχειρίδιο κοντά σας ώστε να μπορείτε να ανατρέξετε αργότερα όποτε σας έχει δημιουργηθεί κάποια απορία. Τέλος, σε περίπτωση που έχετε οποιαδήποτε απορία που δεν μπορεί να απαντηθεί με την βοήθεια του εγχειριδίου, παρακαλούμε να επικοινωνήσετε με τον αντιπρόσωπο από τον οποίο αγοράσατε το προϊόν.

Ποτέ μην επιτρέπετε σε παιδιά ή σε οποιονδήποτε που δεν είναι σε θέση να κατανοήσει πλήρως τις οδηγίες που δίνονται στο εγχειρίδιο για τη χρήση του εργαλείου να το χρησιμοποιήσει.

Ατομικός εξοπλισμός ασφαλείας

Κατά την χρήση του εργαλείου, βεβαιωθείτε ότι φοράτε τον ακόλουθο εξοπλισμό ασφαλείας:

1. Κράνος
2. Ακουστικά προστασίας
3. Προστατευτικά γυαλιά ή μάσκα προστασίας
4. Γάντια εργασίας μεγάλου πάχους
5. Αντιολισθητικές μπότες εργασίας

Μη φοράτε χαλαρά ρούχα, κοσμήματα, κοντά παντελόνια, σανδάλια ή εργάζεστε χωρίς υποδήματα. Μη φοράτε ρουχισμό ή αξεσουάρ που μπορεί να τραβηχτούν και να εμπλακούν στα κινούμενα μέρη του εργαλείου. Δέστε τα μαλλιά σας έτσι ώστε να είναι πάνω από το μήκος των ώμων.

Χώρος εργασίας

Μην εκκινήσετε ποτέ τον κινητήρα μέσα σε κλειστό χώρο ή κτίριο. Τα καυσάερα περιέχουν μονοξείδιο του άνθρακα το οποίο είναι ένα επιβλαβές για την υγεία αέριο.

Ποτέ μην χρησιμοποιείτε το προϊόν στις ακόλουθες περιπτώσεις:

- A. Όταν το έδαφος είναι ολισθηρό ή όταν δεν μπορείτε να διατηρήσετε σταθερή στάση.
- B. Τη νύχτα, σε περιόδους βαριάς ομίχλης ή οποιαδήποτε άλλη στιγμή που το οπτικό σας πεδίο μπορεί να είναι περιορισμένο και θα ήταν δύσκολο να αποκτήσετε μια σαφή εικόνα της κατάστασης του χώρου εργασίας.
- Γ. Κατά τη διάρκεια καταιγίδων, κατά τη διάρκεια βροχής, κατά τη διάρκεια καταιγίδων με κεραυνούς, σε περιπτώσεις ισχυρών ανέμων ή ανεμοστρόβιλων ή σε οποιαδήποτε άλλη στιγμή που οι καιρικές συνθήκες ενδέχεται να καθιστούν το εργαλείο ανασφαλές για χρήση.
 - Το εργαλείο θα πρέπει να χρησιμοποιηθεί μόνο εφόσον δεν είναι κατεστραμμένο και λειτουργεί σωστά. Εάν ο εξοπλισμός ή τα τμήματα του έχουν γίνει ελαττωματικά, θα πρέπει να επισκευασθούν από έναν εξειδικευμένο τεχνικό.
 - Τηρείτε πάντα τους ισχύοντες εθνικούς και διεθνείς κανονισμούς ασφαλείας, υγείας και εργασίας.
 - Μη χρησιμοποιείτε το εργαλείο αν εντοπίσετε σφάλματα κατά την διαδικασία ελέγχου του. Αν ένα τμήμα έχει καταστεί ελαττωματικό, φροντίστε να το αντικαταστήσετε πριν χρησιμοποιήσετε ξανά το εργαλείο.
 - Το περιβάλλον εργασίας δεν θα πρέπει να περιέχει εύφλεκτα και εκρηκτικά υλικά.
 - Μην υπερφορτώνετε το εργαλείο. Χρησιμοποιείτε το εργαλείο μόνο για τις εργασίες για τις οποίες προορίζεται.
 - Να εργάζεστε πάντα με προσοχή και να είστε προσεκτικοί: Μην χρησιμοποιείτε το εργαλείο όταν είστε κουρασμένοι, άρρωστοι ή υπό την επήρεια αλκοόλ, ναρκωτικών ή φαρμάκων, καθώς δεν θα είστε σε θέση να χειρίζεστε με ασφάλεια το εργαλείο.

Πριν από την εκκίνηση του εργαλείου

- Βεβαιωθείτε ότι κανένα άτομο ή ζώο δεν βρίσκεται μέσα στην περιοχή εργασίας σας όταν αρχίσετε να εργάζεστε.
- Βεβαιωθείτε ότι δεν υπάρχουν εμπόδια στο χώρο εργασίας σας.
- Βεβαιωθείτε ότι το εργαλείο σας έχει συναρμολογηθεί πλήρως και σωστά.
- Βεβαιωθείτε ότι το εργαλείο λειτουργεί σωστά και βεβαιωθείτε ιδίως ότι ο οδηγός της αλυσίδας και η κεφαλή είναι σωστά τοποθετημένα και ότι ο διακόπτης ενεργοποίησης / απενεργοποίησης λειτουργεί σωστά. Μην χρησιμοποιείτε το εργαλείο με φθαρμένο ή εκτενώς φθαρμένο εξάρτημα κοπής.
- Το εργαλείο παράγει δονήσεις κατά τη λειτουργία. Αυτό μπορεί να προκαλέσει χαλάρωση των βιδών και των εξαρτημάτων του. Επομένως, ελέγξτε όλες τις βίδες και τα εξαρτήματα για να βεβαιωθείτε ότι είναι σφιγμένα καλά και υπάρχει στεγανότητα.

Οδηγίες ασφαλείας σχετικά με την χρήση του προϊόντος

Να πραγματοποιείτε εργασίες κοπής μόνο σε υλικά που συνιστώνται από τον κατασκευαστή. Χρησιμοποιήστε το εργαλείο μόνο για εργασίες που προβλέπονται στο εγχειρίδιο.

1. Πιάστε τις λαβές σταθερά και με τα δύο χέρια σας χρησιμοποιώντας ολόκληρη την παλάμη σας. Τοποθετήστε τα πόδια σας μεταξύ τους σε απόσταση (ελαφρώς σε μεγαλύτερη απόσταση μεταξύ τους σε σχέση με το αντίστοιχο πλάτος των ώμων σας) ούτως ώστε το βάρος σας να κατανέμεται ομοιόμορφα και στα δύο πόδια σας. Να φροντίζετε σε κάθε περίπτωση να διατηρείτε μια σωστή στάση σώματος κατά την εργασία.
2. Κρατήστε το εξάρτημα κοπής κάτω από το επίπεδο της μέσης.
3. Διατηρήστε την ταχύτητα του κινητήρα στο επίπεδο που απαιτείται για την εκτέλεση των εργασιών κοπής και μην αυξάνετε ποτέ την ταχύτητα του κινητήρα πάνω από το απαιτούμενο επίπεδο.
4. Εάν η μονάδα αρχίσει να τρέμει ή να δονείται, απενεργοποιήστε τον κινητήρα και ελέγξτε ολόκληρη τη μονάδα. Μην χρησιμοποιείτε το εργαλείο έως ότου διορθωθεί το πρόβλημα.
5. Κρατήστε όλα τα μέρη του σώματός σας μακριά από το περιστρεφόμενο εξάρτημα κοπής και καυτές επιφάνειες.
6. Μην αγγίζετε ποτέ την εξάτμιση, το μπουζί ή άλλα μεταλλικά μέρη του κινητήρα ενώ ο κινητήρας βρίσκεται σε λειτουργία ή αμέσως μετά την απενεργοποίηση του κινητήρα καθώς μπορεί να προκληθούν σοβαρά εγκαύματα ή ηλεκτροπληξία.

Οδηγίες ασφαλείας σχετικά με την συντήρηση του μηχανήματος

- Για να διατηρήσετε το προϊόν σας σε καλή κατάσταση λειτουργίας, πραγματοποιήστε τις εργασίες συντήρησης και ελέγχου που περιγράφονται στο εγχειρίδιο σε τακτά χρονικά διαστήματα.
 - Θα πρέπει πάντοτε να απενεργοποιείτε τον κινητήρα προτού εκτελέσετε οποιαδήποτε διαδικασία συντήρησης ή ελέγχου.
- Τα μεταλλικά τμήματα αναπτύσσουν υψηλές θερμοκρασίες αμέσως μετά τη διακοπή του κινητήρα
- Χρησιμοποιείτε μόνο αυθεντικά ανταλλακτικά. Μόνο τα αυθεντικά ανταλλακτικά είναι σχεδιασμένα κατάλληλα για χρήση με αυτό το εργαλείο. Η χρήση ανταλλακτικών άλλων εταιρειών θα ακυρώσει την εγγύησή σας και μπορεί να προκαλέσει κινδύνους για τον εαυτό σας και το περιβάλλον σας.
 - Σε περίπτωση αντικατάστασης οποιουδήποτε εξαρτήματος ή εκτέλεσης εργασιών συντήρησης ή επισκευής που δεν περιγράφονται σε αυτό το εγχειρίδιο, επικοινωνήστε με τον αντιπρόσωπο εξυπηρέτησης πελατών για βοήθεια.
 - Σε καμία περίπτωση δεν πρέπει ποτέ να αποσυναρμολογήσετε το εργαλείο ή να το μετατρέψετε με οποιονδήποτε τρόπο. Κάτι τέτοιο μπορεί να προκαλέσει βλάβες στο εργαλείο κατά τη διάρκεια της λειτουργίας του ή να μην μπορεί να λειτουργήσει σωστά.

Χειρισμός καυσίμου

- Ο κινητήρας έχει σχεδιαστεί για να λειτουργεί με μείγμα καυσίμου, το οποίο περιέχει εξαιρετικά εύφλεκτη βενζίνη. Ποτέ μην αποθηκεύετε δοχεία καυσίμου ή εκτελείτε πλήρωση της δεξαμενής του εργαλείου σε χώρους όπου υπάρχει λέβητας, σόμπα, ξυλεια, ηλεκτρικοί σπινθήρες, σπινθήρες συγκόλλησης ή οποιαδήποτε άλλη πηγή θερμότητας ή φωτιάς που μπορεί να προκαλέσει ανάφλεξη του καυσίμου.
- Μην καννίζετε ποτέ κατά τη λειτουργία του εργαλείου ή την πλήρωση της δεξαμενής καυσίμου.
- Όταν γεμίζετε τη δεξαμενή, σβήστε τον κινητήρα και αφήστε τον να κρυώσει. Κοιτάξτε προσεκτικά για να βεβαιωθείτε ότι δεν υπάρχουν σπινθήρες ή φλόγες οπουδήποτε στην περιοχή πριν το ανεφοδιασμό.
- Σκουπίστε πλήρως το καύσιμο χρησιμοποιώντας ένα στεγνό πανί εάν τυχόν υπάρξει διαρροή καυσίμου κατά την διάρκεια του ανεφοδιασμού.
- Μετά τον ανεφοδιασμό, βιδώστε ξανά το καπάκι του καυσίμου στη δεξαμενή καυσίμου και στη συνέχεια μεταφέρετε το εργαλείο σε ένα σημείο με απόσταση 3m και άνω μακριά από το σημείο πλήρωσης του καυσίμου πριν ενεργοποιήσετε τον κινητήρα.

Οδηγίες ασφαλείας σχετικά με την μεταφορά και την αποθήκευση

- Όταν ολοκληρώσετε την κοπή σε μια θέση και θέλετε να συνεχίσετε να εργάζεστε σε άλλο σημείο, απενεργοποιήστε τον κινητήρα, σηκώστε το εργαλείο και μεταφέρετε προσέχοντας την λεπίδα.
- Κατά την μεταφορά ή αποθήκευση του εργαλείου, θα πρέπει να τοποθετείτε πάντοτε το προστατευτικό κάλυμμα του εξαρτήματος κοπής ή τον προφυλακτήρα της λάμας.
- Όταν μεταφέρετε το εργαλείο με τα χέρια, αν χρειάζεται, καλύψτε το εξάρτημα κοπής, σηκώστε το εργαλείο και δώστε μεγάλη προσοχή στη λεπίδα.
- Ποτέ μην μεταφέρετε το προϊόν σε ανώμαλο δρόμο σε μεγάλες αποστάσεις με το όχημα χωρίς να αφαιρέσετε όλο το καύσιμο από τη δεξαμενή καυσίμου. Σε αντίθετη περίπτωση, ενδέχεται να διαρρεύσει καύσιμο από τη δεξαμενή κατά τη μεταφορά.
- Προστατεύστε το εργαλείο από ζημιές που μπορεί να προκληθούν κατά τη μεταφορά του.

ΠΡΟΣΟΧΗ ΚΙΝΔΥΝΟΣ

Όλα τα μοντέλα θαμνοκοπτικών μπορούν ενδεχομένως να εκσφενδονίσουν μικρές πέτρες, μεταλλικά ή μικρά αντικείμενα, καθώς και τμήματα του ίδιου του υλικού κοπής.

Διαβάστε προσεκτικά τους κανόνες για ασφαλή λειτουργία και ακολουθήστε τις οδηγίες στο εγχειρίδιο χρήσης.

Να είστε απολύτως εξοικειωμένοι με τον χειρισμό και την ορθή χρήση της μονάδας. Να γνωρίζετε πώς να διακόψετε την λειτουργία της μονάδας. Να γνωρίζετε πώς να αποσυνδέετε την εξάρτηση από το εργαλείο.

Μην αφήνετε ποτέ κανέναν να χρησιμοποιεί το εργαλείο χωρίς κατάλληλες οδηγίες. Βεβαιωθείτε ότι ο χειριστής φέρει ανάλογη προστατευτική ενδυμασία ή εξάρτηση ποδιών, , ματιών, προσώπου και ακοής.

Μην βασίζεστε στον προφυλακτήρα του εργαλείου προκειμένου να προστατεύσετε τα μάτια σας από εξοστρακίζόμενα ή ριπτόμενα αντικείμενα. Κρατήστε τυχόν παρευρισκόμενους μακριά από τον χώρο εργασίας, καθώς επίσης παιδιά και κατοικίδια ζώα. Μην αφήνετε ποτέ τα παιδιά να λειτουργούν ή να παίζουν με το μηχάνημα.

Μην αφήνετε κανέναν να εισέλθει μαζί σας στην επικίνδυνη ζώνη εργασίας. Ως επικίνδυνη ζώνη ορίζεται η περιοχή με ακτίνα 15 μέτρων από το σημείο εργασίας (περίπου 16 βήματα)

Να επιμένετε άτομα ευρισκόμενα στη ζώνη μέσου ρίσκου πέραν της επικίνδυνης ζώνης να φορούν προστασία ματιών έναντι προστασίας εκτοξευόμενων και εξοστρακίζόμενων αντικειμένων. Εάν το εργαλείο πρέπει να χρησιμοποιηθεί σε περιοχή όπου υπάρχουν απροστάτευτα άτομα, να το λειτουργείτε υποχρεωτικά με χαμηλή ταχύτητα ώστε να μειώνεται ο κίνδυνος τραυματισμού από εκτοξευόμενα ή εξοστρακίζόμενα αντικείμενα.

Μετακινήστε το διακόπτη διακοπής λειτουργίας στη θέση "STOP" όταν ο κινητήρας είναι στο ρελαντί, εξασφαλίζοντας ότι είναι αξιόπιστος προ της εκτέλεσης εργασιών κοπής. Δεν μπορείτε να συνεχίσετε να λειτουργείτε το μηχάνημα παρά μόνον αν ο διακόπτης διακοπής λειτουργίας βρίσκεται σε καλή κατάσταση και λειτουργεί σωστά.

Ρουτίνες προκειμένου να ελέγχεται ότι το πρόσθετο εξάρτημα κοπής σταματά να περιστρέφεται όταν ο κινητήρας είναι στο ρελαντί:

Κρατήστε με το δεξί χέρι τη λαβή σκανδάλης του θαμνοκοπτικού και με το αριστερό χέρι την αριστερή λαβή. Κρατήστε σφιχτά τις λαβές και με τα δύο χέρια ενώ λειτουργείτε το μηχάνημα. Θα πρέπει να κρατάτε το θαμνοκοπτικό έχοντας μια άνετη θέση σε σωστή στάση με την σκανδάλη χειρισμού σε ύψος λίγο πιο κάτω από τη μέση. Διατηρήστε τη λαβή και την ισορροπία σας και στα δύο πόδια σας. Τοποθετήστε το σώμα σας κατά τέτοιο τρόπο ούτως ώστε να μην χάσετε την ισορροπία σας από τις δυνάμεις αντίδρασης του δίσκου κοπής.

Να χρησιμοποιείτε την εξάρτηση ώμου ανά πάσα στιγμή. Ρυθμίστε τόσο την εξάρτηση όσο και τον σφινκτήρα αυτής στο μηχάνημα ούτως ώστε το εργαλείο να κρέμεται μερικώς ίντσες πάνω από το επίπεδο του εδάφους. Ο δίσκος κοπής και ο πλαστικός προφυλακτήρας πρέπει να είναι επίπεδοι προς όλες τις κατευθύνσεις. Να φέρετε το εργαλείο στην δεξιά πλευρά του σώματός σας.

ΠΡΟΣΟΧΗ ΚΙΝΔΥΝΟΣ

Εκτός από προστασία για το κεφάλι (κράνος), μάτια (γυαλιά), προσώπου και αυτιών πρέπει να φοράτε ειδικά αντιολισθητικά υποδήματα για την προστασία των ποδιών σας αλλά και για να έχετε καλύτερη ισορροπία σε τυχόν ολισθηρές επιφάνειες. Μην φοράτε γραβάτες, κοσμήματα ή φαρδιά ρούχα που θα μπορούσαν να "πιαστούν" στο εργαλείο. Μην φοράτε υποδήματα ανοικτού τύπου και προφανώς μην εργάζεστε άνευ κατάλληλων υποδημάτων, ζυπόλητοι κλπ. Σε ορισμένες περιπτώσεις θα πρέπει να φοράτε καθολική προστασία προσώπου και κεφαλής. Προσέχετε ιδιαίτερος ενδεχόμενο "κλώτσημα" του εργαλείου κατά την εκτέλεση εργασιών.

Πριν από την εκκίνηση του κινητήρα

1. Η περιοχή εντός περιμέτρου 15 μέτρων από το άτομο που χρησιμοποιεί το εργαλείο θα πρέπει να θεωρείται επικίνδυνη περιοχή στην οποία κανείς δεν πρέπει να εισέλθει. Εάν κριθεί απαραίτητο κίτρινο προειδοποιητικό σχοινί ή και προειδοποιητικές πινακίδες πρέπει να τοποθετούνται στην περίμετρο της περιοχής εργασιών. Όταν η εργασία πρόκειται να εκτελεστεί ταυτόχρονα από δύο ή περισσότερα άτομα, θα πρέπει επίσης να λαμβάνεται μέριμνα ώστε να ελέγχετε ανά πάσα στιγμή την παρουσία και τις θέσεις άλλων ατόμων που βρίσκονται στον ευρύτερο χώρο, ώστε να διατηρείται μια απόσταση μεταξύ κάθε ατόμου, επαρκής για να εξασφαλίζεται συνθηκές ασφάλειας.
2. Ελέγξτε την κατάσταση της περιοχής εργασίας για να αποφύγετε οποιοδήποτε ατύχημα όπως π.χ. να πέσετε σε τυχόν κρυμμένα εμπόδια όπως τα κούτσουρα, οι πέτρες, τα δοχεία, ή το σπασμένο γυαλί.
3. Επιθεωρήστε ολόκληρη τη μονάδα για χαλαρές συνδέσεις και διαρροή καυσίμου. Βεβαιωθείτε ότι το εξάρτημα κοπής είναι σωστά τοποθετημένο και στερεωμένο με ασφάλεια.
4. Βεβαιωθείτε ότι ο προφυλακτήρας αποβλήτων είναι σταθερά συνδεδεμένος στη θέση του.
5. Χρησιμοποιείτε πάντοτε ιμάντα εξάρτησης. Ρυθμίστε τον ιμάντα ώστε να αισθάνεστε άνετα προ της έναρξης εργασιών. Ο ιμάντας θα πρέπει να προσαρμόζεται ώστε το αριστερό χέρι να μπορεί να κρατά άνετα την λαβή του εργαλείου.

Κατά την εκκίνηση του κινητήρα

1. Κρατήστε τους παρευρισκόμενους και τα ζώα το λιγότερο 15 μέτρα μακριά από το σημείο εργασιών. Εάν σας πλησιάσουν, σταματήστε αμέσως την λειτουργία του μηχανήματος.
2. Το προϊόν είναι εξοπλισμένο με έναν φυγοκεντρικό μηχανισμό συμπλέκτη, έτσι ώστε το εξάρτημα κοπής να αρχίζει να περιστρέφεται μόλις ξεκινήσει ο

κινητήρας πατώντας το γκάτζι στη θέση εκκίνησης. Κατά την εκκίνηση του κινητήρα, τοποθετήστε το εργαλείο στο έδαφος σε επίπεδη καθαρή περιοχή και κρατήστε το σταθερά στη θέση του έτσι ώστε να εξασφαλίζεται ότι ούτε το μέρος κοπής ούτε το γκάτζι έρχονται σε επαφή με οποιοδήποτε εμπόδιο κατά την εκκίνηση του κινητήρα.

Μην τοποθετείτε ποτέ το γκάτζι στη θέση υψηλής ταχύτητας κατά την εκκίνηση του κινητήρα.

3. Μετά την εκκίνηση του κινητήρα, βεβαιωθείτε ότι το εξάρτημα κοπής σταματά να περιστρέφεται όταν το γκάτζι μετακινηθεί πλήρως πίσω στην αρχική του θέση. Εάν συνεχίσει να περιστρέφεται ακόμα και μετά την πλήρη μετακίνηση του γκαζιού προς τα πίσω, απενεργοποιήστε τον κινητήρα και αποστείλετε τη μονάδα στον εξουσιοδοτημένο αντιπρόσωπο σέρβις NAKAYAMA για επισκευή.

Τεχνικά Χαρακτηριστικά

Μοντέλο:	PB5221	PB5600/PB5450	PB7500	PB7700
Κυβισμός:	52cc	52cc	63.3cc	63.3cc
Ιπποδύναμη:	2hp	2.3hp / 2hp	3hp	3hp
Σύστημα αντιδόνησης:	Δεν διατίθεται	Ναί / Δεν διατίθεται	Δεν διατίθεται	Ναί
Διαστάσεις μπαστουιού:	28mm*1.5m	28mm*1.5m	28mm*1.5m	28mm*1.5m
Καθ. βάρος:	7.6kg	8.5kg	8.8kg	10.8kg

*Ο κατασκευαστής διατηρεί το δικαίωμα να πραγματοποιήσει δευτερεύουσες αλλαγές στο σχεδιασμό του προϊόντος και στα τεχνικά χαρακτηριστικά χωρίς προηγούμενη ειδοποίηση, εκτός εάν οι αλλαγές αυτές επηρεάζουν σημαντικά την απόδοση και λειτουργία ασφάλειας των προϊόντων. Τα εξάρτηματα που περιγράφονται / απεικονίζονται στις σελίδες του εγχειριδίου που κρατάτε στα χέρια σας ενδέχεται να αφορούν και σε άλλα μοντέλα της σειράς προϊόντων του κατασκευαστή, με παρόμοια χαρακτηριστικά, και ενδέχεται να μην περιλαμβάνονται στο προϊόν που μόλις αποκτήσατε.

*Για να διασφαλιστεί η ασφάλεια και η αξιοπιστία του προϊόντος καθώς και η ισχύς της εγγύησης όλες οι εργασίες επιδιόρθωσης, ελέγχου, επισκευής ή αντικατάστασης συμπεριλαμβανομένης της συντήρησης και των ειδικών ρυθμίσεων, πρέπει να εκτελούνται μόνο από τεχνικούς του εξουσιοδοτημένου τμήματος Service του κατασκευαστή.

*Χρησιμοποιείτε πάντα το προϊόν με τον παρεχόμενο εξοπλισμό. Η λειτουργία του προϊόντος με μη-προβλεπόμενο εξοπλισμό ενδέχεται να προκαλέσει βλάβη ή ακόμα και σοβαρό τραυματισμό ή θάνατο. Ο κατασκευαστής και ο εισαγωγέας ουδεμία ευθύνη φέρει για τραυματισμούς και βλάβες που προκύπτουν από την χρήση μη προβλεπόμενου εξοπλισμού.

Προσδιορίστε τα εξάρτηματα που απεικονίζονται στις σελίδες 2-3 και ακολουθήστε τις αντίστοιχες οδηγίες ανάλογα με τον τύπο του θαμνοκοπτικού σας.

Περιγραφή βασικών τμημάτων (Εικόνα Α, σελ. 2 ή 3)

- Κεφαλή κοπής: Η κεφαλή μπορεί να συνδυαστεί με ένα δίσκο κοπής ή μία κεφαλή μεινέζας με νάλιν νήμα κοπής. Το νήμα επεκτείνεται όταν το κάτω μέρος της κεφαλής έρχεται σε επαφή με το έδαφος με την ανάλογη δύναμη, την στιγμή που η κεφαλή περιστρέφεται με κανονική ταχύτητα λειτουργίας.
 - Σύστημα άξονα μετάδοσης της κίνησης/μπαστούνι: Το μπαστούνι περιέχει έναν ειδικά σχεδιασμένο εσωτερικό εύκαμπτο άξονα μετάδοσης της κίνησης.
 - Σκανδάλη τροφοδοσίας (γκάζι): Ο μηχανισμός της σκανδάλης διαθέτει ένα ελατήριο ώστε να επαναφέρεται στην θέση ρελαντί όταν ελευθερωθεί η σκανδάλη. Κατά την επιτάχυνση, για καλύτερα αποτελέσματα, πιέστε την σκανδάλη σταδιακά. Μην κρατάτε πλήρως πατημένη την σκανδάλη κατά την εκκίνηση.
 - Διακόπτης ON/OFF: Πιέστε τον διακόπτη μπροστά για να διακόψετε την λειτουργία του κινητήρα (stop) και προς τα πίσω για τον ρυθμίσετε στην θέση εκκίνησης (start).
 - Διακόπτης ασφάλισης σκανδάλης: Πιέστε τον διακόπτη πριν πιέσετε την σκανδάλη τροφοδοσίας.
 - Τιμόνι: Το τιμόνι μπορεί να ρυθμιστεί ώστε να διευκολύνεται ο χειρισμός.
 - Σύστημα πρόσδεσης/εξάρτυση: Το σύστημα σε συνδυασμό με την εξάρτηση χρησιμοποιείται για την ανάρτηση του μηχανήματος. Οι ιμάντες της εξάρτυσης μπορούν να ρυθμιστούν ως προς το μήκος τους.
 - Φίλτρο αέρος: Περιέχει αντικαταστήσιμα στοιχεία.
 - Τάπα δεξαμενής καυσίμου.
 - Δεξαμενή καυσίμου: Περιέχει τα καύσιμα και φέρει το φίλτρο καυσίμου.
 - Φούσκα καυσίμου (πουάρ): Πιέστε την φούσκα (7 έως 10 φορές πριν από την εκκίνηση) για να αφαιρέσετε τον αέρα και το παλιό καύσιμο από το σύστημα μεταφοράς του καυσίμου και να αντλήσετε το φρέσκο καύσιμο στο καμπυρατέρ.
 - Τσόκ: Ο λεβιές ελέγχου του τσόκ βρίσκεται στο επάνω μέρος του καλύμματος φίλτρου.
- Κρύα εκκίνηση: Τραβήξτε το μοχλό προς τα πάνω για να κλείσετε το τσόκ όταν πραγματοποιείτε κρύα εκκίνηση. Πιέστε το μοχλό προς τα κάτω για τη θέση RUN.
- Προφυλακτήρας: Ο προφυλακτήρας είναι τοποθετημένος ακριβώς από πάνω από τον μηχανισμό κοπής. Βοηθά στην προστασία του χειριστή με την εκτροπή των θραυσμάτων που παράγονται κατά τη διάρκεια της διαδικασίας κοπής. Μην χρησιμοποιείτε το μηχάνημα χωρίς τον προφυλακτήρα.
 - Λεπίδα κοπής του νήματος: Η λεπίδα χρησιμοποιείται για την κοπή του νήματος στο σωστό μήκος καθώς επεκτείνεται όταν πατάτε την κεφαλή κοπής στο έδαφος. Εάν το θαμνοκοπτικό τεθεί σε λειτουργία χωρίς την λεπίδα, το μήκος του νήματος θα είναι μεγαλύτερο από το επιθυμητό (πάνω από 7''») με αποτέλεσμα να επιβραδύνεται η ταχύτητα του κινητήρα, οδηγώντας σε υπερθέρμανση ή βλάβη.
 - Δίσκος κοπής: Κυκλική λεπίδα για εφαρμογές κοπής χόρτων ή θάμνων. Κατά την λειτουργία του μηχανήματος με δίσκο κοπής θα πρέπει πάντοτε να χρησιμοποιείτε την εξάρτηση, την χειρολαβή και να είναι τοποθετημένος ο προφυλακτήρας.
 - Διακόπτης ασφαλείας (αντίχειρα), δεν διατίθεται σε όλα τα μοντέλα.

Συναρμολόγηση και βασικές ρυθμίσεις

Σύνδεση του τιμονιού (Εικόνα C, σελ. 2)

- Χαλαρώστε τα 4 βίδες που βρίσκονται στο άνω κάλυμμα και τοποθετήστε το τιμόνι. Σφίξτε ξανά τα βίδες και βεβαιωθείτε πως είναι σωστά τοποθετημένα.

Σύνδεση του τιμονιού (Εικόνα C, σελ.3)

- Τοποθετήστε το τιμόνι μέσα στον σύνδεσμο. Ρυθμίστε το τιμόνι σε μια άνετη θέση λειτουργίας και σφίξτε τις βίδες M5X30 και M6X50.

Προειδοποίηση! Μην επιχειρήσετε να αποσυναρμολογήσετε τις δύο βίδες της βάσης του συνδέσμου. Οι σύνδεσμοι είναι τοποθετημένοι από τον κατασκευαστή σε ένα κατάλληλο σημείο βάσει του σχεδιασμού του μηχανήματος, μην επιχειρήσετε να τους αφαιρέσετε ή να τους μετακινήσετε. Διαφορετικά, μπορεί να προκληθεί σοβαρός τραυματισμός.

Σύνδεση τιμονιού (Εικόνα C1, σελ. 2)

Τοποθετήστε το τιμόνι στον σύνδεσμο. Ρυθμίστε το τιμόνι σε μια άνετη θέση και σφίξτε τον σφιγκτήρα.

Σύνδεση του προφυλακτήρα (Εικόνα Β, σελ. 2)

- Συνδέστε τον προφυλακτήρα στο μπαστούνι χρησιμοποιώντας τις παρεχόμενες βίδες.

Σύνδεση του προφυλακτήρα (Εικόνα Β, σελ. 3)

Συνδέστε τον προφυλακτήρα στο μπαστούνι χρησιμοποιώντας το στήριγμα (σύνδεσμο) του προφυλακτήρα και τις παρεχόμενες βίδες. Σφίξτε τις βίδες αφού ρυθμίσετε το στήριγμα του προφυλακτήρα στην κατάλληλη θέση.

Προσοχή! Τοποθετείτε πάντοτε το εσωτερικό παξιμάδι δακτυλίου πριν τον δίσκο ή τις κεφαλές μεσινέζας πάνω στον άξονα μετάδοσης της κίνησης του συστήματος γωνιακής μετάδοσης.

Σύνδεση του δίσκου κοπής (Εικόνα D, σελ. 2)

1. Τοποθετήστε το κλειδί τύπου άλλεν (1) στις εσωτερικές οπές της γωνιακής μετάδοσης.
2. Αφαιρέστε το παξιμάδι (αριστερόστροφο σπείρωμα) και την ροδέλα (3) από τον μηχανισμό της γωνιακής μετάδοσης.
3. Τοποθετήστε τον δίσκο κοπής στην υποδοχή σύνδεσης (2). Συνδέστε τον δίσκο με την πλευρά που φέρει τα σχέδια να είναι στραμμένη προς την υποδοχή.
4. Τοποθετήστε την ροδέλα (3) στον άξονα με την επίπεδη πλευρά να είναι εφάπτεται στον δίσκο.
5. Συσφίξτε τον δίσκο κοπής στον άξονα χρησιμοποιώντας το παξιμάδι και το προστατευτικό κάλυμμα του παξιμαδιού (4).

Προσοχή! Να φοράτε πάντα γάντια προστασίας όταν χειρίζεστε τον δίσκο και τοποθετήστε το προστατευτικό κάλυμμα του δίσκου όταν είναι διαθέσιμο.

Σύνδεση/αντικατάσταση του δίσκου κοπής (Εικόνα D, σελ. 3)

Εισάγετε το κλειδί άλλεν (2) στην ειδική εσοχή που βρίσκεται στο σύστημα της γωνιακής μετάδοσης (3) και περιστρέψτε τον δίσκο (1) με το χέρι σας μέχρι το κλειδί να εισέλθει στην εσωτερική οπή, μπλοκάροντας την περιστροφή του δίσκου.

Ξεβιδώστε το παξιμάδι (5) περιστρέφοντάς το δεξιόστροφα.

Τραβήξτε προς τα έξω το προστατευτικό κάλυμμα του παξιμαδιού (7) και αφαιρέστε τον δίσκο κοπής (1).

Βεβαιωθείτε ότι οι αυλακώσεις στο εσωτερικό παξιμάδι δακτυλίου (8) εφάπτονται σωστά με τις εσοχές της γωνιακής μετάδοσης (3)

Τοποθετήστε τον δίσκο κοπής (1) και το προστατευτικό κάλυμμα του παξιμαδιού (7).

Επανατοποθετήστε το παξιμάδι (5), σφίγγοντας αριστερόστροφα.

Αφαιρέστε το κλειδί άλλεν (2).

Προειδοποίηση! Να φοράτε πάντα προστατευτικά γάντια όταν χειρίζεστε τον δίσκο και τοποθετήστε το προστατευτικό κάλυμμα του δίσκου όταν είναι διαθέσιμο.

Σύνδεση της κεφαλής μεσινέζας (Εικόνα F, σελίδα 2)

1. Ενώ μπλοκάρτε τον άξονα μετάδοσης της κίνησης εισάγοντας το παρεχόμενο κλειδί στην υποδοχή που βρίσκεται στο πάνω τμήμα του συστήματος γωνιακής μετάδοσης, χαλαρώστε και αφαιρέστε το παξιμάδι (αριστερόστροφο σπείρωμα).

2. Αποσυνδέστε το κάλυμμα (1), τοποθετήστε την κεφαλή μεσινέζας στον άξονα μετάδοσης της κίνησης και σφίξτε την καλά.

Σύνδεση της κεφαλής μεσινέζας (Εικόνα F, σελίδα 3)

Εισάγετε το κλειδί άλλεν (2) στην ειδική εσοχή που βρίσκεται στο σύστημα της γωνιακής μετάδοσης (3) και περιστρέψτε την κεφαλή (1) με το χέρι σας μέχρι το κλειδί να εισέλθει στην εσωτερική οπή, μπλοκάροντας την περιστροφή της.

Βεβαιωθείτε ότι οι αυλακώσεις στο εσωτερικό παξιμάδι δακτυλίου (4) εφάπτονται σωστά με τις εσοχές της γωνιακής μετάδοσης (3)

Συνδέστε την κεφαλή μεσινέζας (1) περιστρέφοντάς την αριστερόστροφα.

Αφαιρέστε το κλειδί άλλεν (2).

Αντικατάσταση του καρουλίου μεσινέζας (νήματος κοπής): (Εικόνες G1 και G2)

Εξισορρόπηση του μηχανήματος

1. Φορέστε την εξάρτηση και συνδέστε το μηχάνημα στην εξάρτηση.

2. Μετακινήστε το άγκιστρο σύνδεσης προς τα εμπρός ή προς τα πίσω μέχρι το σημείο όπου το μηχάνημα ισορροπεί και η κεφαλή κοπής βρίσκεται σε μικρή απόσταση πάνω από την επιφάνεια του εδάφους.

Πριν την λειτουργία

Κατά την ανάμειξη βενζίνης με λάδι δίχρονου κινητήρα να χρησιμοποιείτε μόνο βενζίνη που δεν περιέχει αιθανόλη ή μεθανόλη (τύποι αλκοόλης). Αυτό θα βοηθήσει να αποφευχθεί πιθανή βλάβη στις γραμμές καυσίμου του κινητήρα και άλλα τμήματα του κινητήρα.

Μην αναμιγνύετε βενζίνη και λάδι απευθείας στη δεξαμενή καυσίμου του κινητήρα.

ΣΗΜΑΝΤΙΚΟ: Η μη τήρηση των κατάλληλων οδηγιών ανάμειξης καυσίμου μπορεί να προκαλέσει βλάβη στον κινητήρα.

1. Κατά την προετοιμασία του μίγματος καυσίμων, να αναμιγνύετε μόνο το ποσό που απαιτείται για την εργασία που πρόκειται να κάνετε.

Μην χρησιμοποιείτε καύσιμα τα οποία έχουν αποθηκευτεί για περισσότερο από ένα μήνα. Το μείγμα καυσίμων που αποθηκεύεται για περισσότερο από το χρονικό αυτό διάστημα θα προκαλέσει δύσκολη εκκίνηση και κακή απόδοση. Εάν το μείγμα καυσίμων έχει αποθηκευτεί περισσότερο από το εν λόγω χρονικό διάστημα, θα πρέπει να αφαιρεθεί και να χρησιμοποιηθεί φρέσκο μείγμα.

ΠΡΟΣΟΧΗ ΚΙΝΔΥΝΟΣ

2. Μην γεμίζετε ποτέ τη δεξαμενή καυσίμου έως την κορυφή (προτιμάται το πολύ κάτω από τα 3/4 της δεξαμενής)

3. Μην προσθέτετε ποτέ καύσιμο στη δεξαμενή σε κλειστό μη αεριζόμενο χώρο.

4. Μην προσθέτετε καύσιμο σε αυτή τη μονάδα κοντά σε ανοιχτή φωτιά ή σπινθήρες.

5. Να είστε βέβαιοι ότι έχετε σκουπίσει τυχόν διαρρευθέν καύσιμο πριν προσπαθήσετε να εκκινήσετε τον κινητήρα

6. Μην επιχειρήσετε να ανεφοδιάσετε έναν θερμό κινητήρα.

Έλεγχος πριν από τη λειτουργία

1. Ελέγξτε για χαλαρά βίδες, παξιμάδια και χαλαρές συνδέσεις.

2. Ελέγξτε τον καθαριστή αέρα για ακαθαρσίες. Καθαρίστε το φίλτρο αέρα από όλες τις ακαθαρσίες κ.λπ.

3. Ελέγξτε για να βεβαιωθείτε ότι ο προφυλακτήρας είναι σταθερά στη θέση του.

4. Ελέγξτε για να βεβαιωθείτε ότι δεν υπάρχουν διαρροές καυσίμου.

5. Ελέγξτε για να βεβαιωθείτε ότι ο κοπτικός δίσκος δεν είναι ραγισμένη.

ΠΡΟΣΟΧΗ ΚΙΝΔΥΝΟΣ!

Η εξάτμιση του κινητήρα περιέχει χημικές ουσίες που είναι γνωστό ότι προκαλούν καρκίνο, γενετικές ανωμαλίες, ή άλλες αναπαραγωγικές βλάβες.

Καύσιμα

Προειδοποίηση: Η βενζίνη είναι εξαιρετικά εύφλεκτη. Αποφύγετε το κάπνισμα και μην πλησιάζετε ενεργές φλόγες ή σπινθήρες κοντά στα καύσιμα. Σκουπίστε όλες τις διαρροές πριν ξεκινήσετε τον κινητήρα.

Βεβαιωθείτε ότι έχετε σταματήσει τον κινητήρα και αφήστε τον να κρυώσει πριν τον εκκινήσετε.

Κρατήστε τις ανοιχτές φλόγες μακριά από την περιοχή όπου διακινούνται ή αποθηκεύονται τα καύσιμα.

Σημαντικό: Ποτέ μην χρησιμοποιείτε λάδι κινητήρα για 4χρονους κινητήρες ή υδρόψυκτους δίχρονους κινητήρες.

Ποτέ μην χρησιμοποιείτε το «ΚΑΥΣΙΜΟ ΧΩΡΙΣ ΛΑΔΙ (ΣΚΕΤΟ ΚΑΥΣΙΜΟ)».

Ποτέ μην χρησιμοποιείτε καύσιμα με νερό.

Το μικτό καύσιμο που έχει παραμείνει αχρησιμοποίητο για περίοδο ενός μήνα ή περισσότερο μπορεί να φράξει το καμπυρατέρ ή να οδηγήσει στον κινητήρα να μην λειτουργεί σωστά. Τοποθετήστε το καύσιμο που απέμεινε σε ένα αεροστεγές δοχείο και φυλάξτε το σε ένα σκοτεινό και δροσερό δωμάτιο.

Ζητήστε «μίγμα βενζίνης για αερόψυκτους δίχρονους κινητήρες» στο πλησιέστερο βενζινάδικο, ή παρασκευάστε το μίγμα τοποθετώντας αμόλυβδη βενζίνη 94 οκτανίων και άνω, και ειδικό λάδι αερόψυκτων δίχρονων κινητήρων σε ένα δοχείο ανάμιξης σύμφωνα με τις ακόλουθες αναλογίες και στη συνέχεια ανακινείται για να αναμιχθεί καλά.

Αναλογίες ανάμιξης μείγματος καυσίμου - λαδιού

Χρησιμοποιήστε λάδι ειδικού τύπου δίχρονων κινητήρων (30ml λαδιού για κάθε 1L αμόλυβδης βενζίνης 94 οκτανίων και άνω).

Ανεφοδιασμός του μηχανήματος με μίγμα καυσίμου - ελαίου

1. Ξεβιδώστε και αφαιρέστε την τάπα καυσίμου. Ακουμπήστε την τάπα σε ένα καθαρό σημείο.
2. Συμπληρώστε κατά 80% της πλήρους χωρητικότητας, την δεξαμενή καυσίμου με μίγμα καυσίμου.
3. Επανατοποθετήστε την τάπα καυσίμου και σφίξτε την καλά. Βεβαιωθείτε πως η τάπα είναι καλά σφικμένη.

Οδηγίες λειτουργίας**Οδηγίες εκκίνησης και διακοπής της λειτουργίας του κινητήρα****Ψυχρή εκκίνηση (κρύος κινητήρας) (Εικόνα Ε, σελ. 2 & εικόνα Γ)**

1. Θέστε τον διακόπτη ON/OFF στην θέση "START".
2. Πιέστε απαλά την φούσκα καυσίμου (πουάρ) επανειλημμένα (7-10 φορές) μέχρι να εμφανιστεί το καύσιμο στο εσωτερικό της φούσκας.
3. Ψυχρή εκκίνηση: Τραβήξτε τον λεβιέ του τσόκ προς τα πάνω για να κλείσετε το τσόκ.
4. Τραβήξτε το σκονί εκκίνησης της χειρόμιζας μέχρι να νιώσετε ελαφρά αντίσταση. Τραβήξτε απότομα το σκονί μέχρι να πραγματοποιηθεί στιγμιαία ανάφλεξη.
5. Πιέστε το λεβιέ του τσόκ προς τα κάτω (η υπερβολική και άσκοπη χρήση του τσόκ θα προκαλέσει υπερχειλίση καυσίμου του κινητήρα καθιστώντας δύσκολη την εκκίνηση του).
6. Τραβήξτε το σκονί εκκίνησης της χειρόμιζας μέχρι να νιώσετε ελαφρά αντίσταση. Τραβήξτε απότομα το σκονί μέχρι να εκκινηθεί ο κινητήρας.
7. Περιμένετε για λίγα λεπτά μέχρι να ζεσταθεί ο κινητήρας.

Θερμή εκκίνηση (ζεστός κινητήρας) (Εικόνα Ε, σελ. 2 & εικόνα Γ)

Σε περίπτωση που η διακοπή της λειτουργίας του κινητήρα δεν έγινε λόγω εξάντλησης του καυσίμου, τραβήξτε το σκονί της χειρόμιζας με τον τρόπο που περιγράφηκε παραπάνω για να εκκινήσετε τον κινητήρα.

Προσοχή! Σε αυτή την περίπτωση μην χρησιμοποιήσετε το τσόκ!

Σε περίπτωση που η διακοπή της λειτουργίας του κινητήρα έγινε λόγω εξάντλησης του καυσίμου, μετά τον ανεφοδιασμό καυσίμου, επαναλάβετε τα βήματα 3 - 7 του προηγούμενου κεφαλαίου.

Ψυχρή εκκίνηση (κρύος κινητήρας) (Εικόνα Ε, σελ. 3 & εικόνα Γ)

1. Θέστε τον διακόπτη ON/OFF στην θέση "START".
2. Πιέστε απαλά την φούσκα καυσίμου (πουάρ) επανειλημμένα (7-10 φορές) μέχρι να εμφανιστεί το καύσιμο στο εσωτερικό της φούσκας.
3. Τραβήξτε τον λεβιέ του τσόκ προς τα πάνω για να κλείσετε το τσόκ.
4. Πιέστε την σκανδάλη ασφαρίζοντας την ταυτόχρονα με την ασφάλεια (αντίχειρα) της σκανδάλης (αν διατίθεται).
5. Τραβήξτε το σκονί εκκίνησης της χειρόμιζας μέχρι να νιώσετε ελαφρά αντίσταση. Τραβήξτε απότομα το σκονί μέχρι να πραγματοποιηθεί στιγμιαία ανάφλεξη.
6. Πιέστε το λεβιέ του τσόκ προς τα κάτω (η υπερβολική και άσκοπη χρήση του τσόκ θα προκαλέσει υπερχειλίση καυσίμου του κινητήρα καθιστώντας δύσκολη την εκκίνηση του).
7. Τραβήξτε το σκονί εκκίνησης της χειρόμιζας μέχρι να νιώσετε ελαφρά αντίσταση. Τραβήξτε απότομα το σκονί μέχρι να εκκινηθεί ο κινητήρας.
8. Μετά την εκκίνηση γυρίστε τον μοχλό του τσόκ στην θέση "RUN".
9. Απεμπλέξτε τον διακόπτη ασφαλείας της σκανδάλης (αν διατίθεται) πιέζοντας απότομα την σκανδάλη.
10. Περιμένετε για λίγα λεπτά μέχρι να ζεσταθεί ο κινητήρας.

Θερμή εκκίνηση (ζεστός κινητήρας) (Εικόνα Ε, σελ. 3 & εικόνα Γ)

Γυρίστε το τσόκ στην θέση "RUN"

• Σε περίπτωση που η διακοπή της λειτουργίας του κινητήρα δεν έγινε λόγω εξάντλησης του καυσίμου, τραβήξτε το σκονί της χειρόμιζας με τον τρόπο που περιγράφηκε παραπάνω για να εκκινήσετε τον κινητήρα.

• Σε περίπτωση που η διακοπή της λειτουργίας του κινητήρα έγινε λόγω εξάντλησης του καυσίμου, μετά τον ανεφοδιασμό καυσίμου, επαναλάβετε τα βήματα 1-2-7 του προηγούμενου κεφαλαίου.

Προσοχή: Εάν τραβήξετε το σκονί εκκίνησης επανειλημμένα την στιγμή που το τσόκ είναι κλειστό, μπορεί να προκληθεί υπερχειλίση καυσίμου του κινητήρα καθιστώντας δύσκολη την εκκίνηση του.

Σε περίπτωση υπερχειλίσης καυσίμου, αφαιρέστε το μπουζί και τραβήξτε απαλά το σκονί εκκίνησης για να απομακρύνετε τα υπερχειλισμένα καύσιμα. Στεγνώστε καλά το μπουζί και επανατοποθετήστε το στον κινητήρα.

Διακοπή λειτουργίας του κινητήρα

- Απελευθερώστε την σκανδάλη τροφοδοσίας και περιμένετε για ένα περίπου λεπτό επιτρέποντας στο μηχάνημα να λειτουργήσει για ένα περίπου λεπτό σε κατάσταση ρελαντί.
- Πιέστε τον διακόπτη ρυθμίζοντας τον στην θέση STOP.

Χρησιμοποιώντας το σύστημα της εξάρτυσης

1. Συνδέστε και ρυθμίστε σε μια κατάλληλη θέση το σύστημα της εξάρτυσης.
2. Ρυθμίστε το τμήμα πρόσδεσης των ώμων, και έπειτα ρυθμίστε το τμήμα πρόσδεσης της μέσης. Ρυθμίστε την ζώνη (αν διατίθεται).
3. Συνδέστε το άγκιστρο στην υποδοχή σύνδεσης της εξάρτυσης του μηχανήματος.
4. Σε περίπτωση που το μηχάνημα δεν ισορροπεί σωστά, αλλάξτε την θέση σύνδεσης της εξάρτυσης και ρυθμίστε το τιμόνι μέχρι να ισορροπεί σωστά.

Προσοχή! Το άγκιστρο σύνδεσης του συστήματος εξάρτυσης πρέπει να βρίσκεται στην αριστερή πλευρά της μέσης σας και ο ταχυσύνδεσμος να είναι στραμμένος προς τα έξω.

Προτού θέσετε σε λειτουργία το μηχάνημα, βεβαιωθείτε πως το σύστημα της εξάρτυσης είναι σωστά τοποθετημένο με ασφάλεια. Σε περίπτωση κινδύνου, διακόψτε την λειτουργία του κινητήρα αμέσως και απομακρυνθείτε από το μηχάνημα και χρησιμοποιήστε τον ταχυσύνδεσμο για να αποσυνδέσετε το μηχάνημα από το σύστημα της εξάρτυσης.

Χρησιμοποιώντας την κεφαλή μεσινέζας

Η λεπίδα κοπής του νήματος βρίσκεται στην δεξιά πλευρά του προφυλακτήρα.

Σε περίπτωση που το θαμνοκοπτικό σας είναι εξοπλισμένο με κεφαλή μεσινέζας με αυτόματο σύστημα τροφοδοσίας νήματος, πιέστε το κάτω μέρος της κεφαλής στην επιφάνεια του εδάφους καθώς η κεφαλή περιστρέφεται μέχρι να εξαχθεί το νήμα κοπής.

Προσοχή! Κατά την διάρκεια λειτουργίας του μηχανήματος με κεφαλή μεσινέζας θα πρέπει πάντοτε να είναι τοποθετημένος ο προφυλακτήρας. Το μήκος του νήματος κοπής θα πρέπει να έχει το σωστό μήκος διότι σε άλλη περίπτωση θα ταλαντεύεται. Θα πρέπει πάντοτε να είναι τοποθετημένος ο προφυλακτήρας με την λεπίδα κοπής του νήματος κατά την λειτουργία του μηχανήματος με κεφαλή μεσινέζας.

Συνιστάται κατά την διάρκεια όλων σχεδόν των ειδών κοπής να χρησιμοποιείτε την περιοχική κοπή που βρίσκεται μακριά από εσάς και κατευθύνοντας το μηχάνημα προς την σωστή πλευρά ώστε τα θραύσματα και το κομμένο γρασίδι να εκσφενδονίζονται μακριά από το σώμα σας.

ΠΡΟΣΟΧΗ - ΚΙΝΔΥΝΟΣ

Αν στρέψετε το μηχάνημα και την κεφαλή κοπής προς την λάθος κατεύθυνση, τα θραύσματα θα εκσφενδονίζονται προς την κατεύθυνση του σώματος σας, θέτοντας σε κίνδυνο την σωματική σας ακεραιότητα. Αν η κεφαλή κοπής βρίσκεται παράλληλα στο έδαφος και χρησιμοποιούνται όλες οι επιφάνειες τις για την κοπή και όχι μόνο μία περιοχή της, αυτό θα έχει ως αποτέλεσμα τα θραύσματα να εκσφενδονίζονται προς την κατεύθυνση του σώματος σας, θα επιβραδυνθεί η ταχύτητα περιστροφής της κεφαλής και του κινητήρα και θα χρησιμοποιηθεί μεγαλύτερη ποσότητα νήματος.

ΠΡΟΣΟΧΗ - ΚΙΝΔΥΝΟΣ

Μην χρησιμοποιείτε ποτέ σύρμα ή πλαστικό νήμα που περιέχει μεταλλικό σύρμα ως νήμα κοπής. Τοποθετήστε νήμα κοπής της σωστής διαμέτρου σύμφωνα με τις οδηγίες του κατασκευαστή.

ΠΡΟΣΟΧΗ - ΚΙΝΔΥΝΟΣ

Να είστε ιδιαίτερα προσεκτικοί όταν το μηχάνημα χρησιμοποιείται πάνω από γυμνά σημεία και χαλίκι, επειδή η κεφαλή κοπής μπορεί να εκσφενδονίσει θραύσματα με μεγάλη ταχύτητα.

Οι προφυλακτήρες των μηχανημάτων δεν μπορούν να σταματήσουν τα αντικείμενα που αναπηδούν ή εξοστρακίζονται από τις σκληρές επιφάνειες.

Χρησιμοποιώντας δίσκους κοπής

Στην αγορά μπορείτε να βρείτε πολλούς και διαφορετικούς τύπους δίσκων κοπής, εντούτοις οι δύο συνηθέστερα χρησιμοποιούμενοι τύποι είναι οι ακόλουθοι:

Το θαμνοκοπτικό είναι κατάλληλο για την κοπή φυτών διαμέτρου έως 3/4».

Προσοχή! Ο δίσκος δεν πρέπει να έρθει σε επαφή με τα εξής αντικείμενα και επιφάνειες: Καλώδια, πασσάλους μετάλλων, καουτσούκ, πέτρες, τοιχοποιία, και φράκτες.

Μην χρησιμοποιείτε ποτέ το θαμνοκοπτικό για την κοπή κλαδιών ή κορμών δέντρων.

Μην χρησιμοποιείτε ποτέ το θαμνοκοπτικό όταν ο δίσκος κοπής είναι ραγισμένος, φθαρμένος ή στομωμένος.

Πριν από την διαδικασία κοπής, επιθεωρήστε τον χώρο για εμπόδια όπως είναι τα αναχώματα, οι μεταλλικοί πάσσαλοι ή τμήματα σύρματος από σπασμένους φράκτες. Εάν ένα εμπόδιο δεν μπορεί να αφαιρεθεί, σημειώστε τη θέση του έτσι ώστε να μπορείτε να το αποφύγετε κατά την διάρκεια της διαδικασίας. Οι βράχοι και τα μεταλλικά αντικείμενα μπορεί να φθείρουν ή να προκαλέσουν βλάβη στους δίσκους κοπής. Τα καλώδια μπορούν να πιάσουν στην κεφαλή κοπής και να περιστρέφονται μαζί με τον δίσκο ή να εκσφενδονιστούν με μεγάλη ταχύτητα.

Η ανάκρουση (κλώτσημα) είναι η αντίδραση που μπορεί να προκύψει όταν ο περιστρεφόμενος δίσκος έρχεται σε επαφή με οτιδήποτε δεν μπορεί να κόψει. Αυτή η επαφή μπορεί να προκαλέσει την στιγμιαία ακινητοποίηση του δίσκου, και να ωθήσει την κεφαλή κοπής μακριά από το αντικείμενο που χτυπήθηκε. Αυτή η αντίδραση μπορεί να είναι αρκετά βίαιη ώστε ο χειριστής να χάσει τον έλεγχο της του μηχανήματος. Η ανάκρουση μπορεί να εμφανιστεί χωρίς προειδοποίηση όταν ο δίσκος κοπής μπλοκαριστεί ή σταματήσει. Αυτό είναι πιο πιθανό να συμβεί σε περιοχές όπου δεν υπάρχει οπτική επαφή με το υλικό που κόβεται. Για να χρησιμοποιήσετε το μηχάνημα με αποτελεσματικό και με ασφαλή τρόπο, πλησιάστε την κεφαλή κοπής στο φυτά που επιθυμείτε να κόψετε από τα δεξιά προς τα αριστερά. Έτσι, σε περίπτωση που συναντήσετε ένα ξένο σώμα ή έναν ξυλώδη βλαστό, η αντίδραση ανάκρουσης θα ελαχιστοποιηθεί.

Συντήρηση και φροντίδα

Επαναπλήρωση του νήματος κοπής

1. Ως νήμα κοπής αντικατάσταση, χρησιμοποιήστε νήμα διαμέτρου έως 3mm. Το καρούλι μεινέζας μπορεί να φέρει ένα νήμα κοπής μήκους έως 6m στην κεφαλή των 10cm. Αποφύγετε τη χρήση μεγαλύτερου νήματος, καθώς ενδεχομένως μπορεί να μειωθεί η απόδοση κοπής. Για λόγους ασφαλείας, μην χρησιμοποιείτε ενισχυμένο με μέταλλο νήμα.
 2. Πιέστε την περιοχή εγκοπής σε αμφότερες τις πλευρές του περιβλήματος καρουλιού μεινέζας για να αποδεσμεύσετε το κάτω καπάκι.
 3. Βγάλτε το καρούλι και τραβήξτε το παλαιό νήμα κοπής. Περάστε το ένα άκρο του νέου νήματος μέσα από τις οπές του καρουλιού και τραβήξτε έως ότου το μήκος είναι ίσο μεταξύ των τμημάτων του νήματος.
 4. Τυλίξτε το νήμα προς τη σωστή κατεύθυνση, όπως υποδεικνύεται στο καρούλι.
 5. Αγκιστρώστε κάθε άκρο του νήματος στην εγκοπή στην άκρη του καρουλιού και στη συνέχεια περάστε τα άκρα μέσα από τις οπές του περιβλήματος. Βεβαιωθείτε ότι ελατήριο και ροδέλες βρίσκονται στη θέση τους.
 6. Κρατώντας το καρούλι ενάντια του περιβλήματος, τραβήξτε τα άκρα του νήματος για να τα απελευθερώσετε από την εγκοπή.
 7. Ευθυγραμμίστε την εγκοπή στο κάτω καπάκι με το άγκιστρο στο περίβλημα, πιέστε το καπάκι ενάντια του περιβλήματος έως ότου κάνει «κλικ».
- Κεφαλές νήματος ταχείας περιέλιξης (δεν περιλαμβάνεται σε όλα τα μοντέλα):** Ευθυγραμμίστε τις οπές του καρουλιού με τις αντίστοιχες οπές της κεφαλής ισομοιράστε τις δυο άκρες τους νήματος κοπής και περιστρέψτε την κεφαλή τυλίγοντας το νήμα κοπής.

Δίσκος κοπής (Εικόνα Η)

- Ελέγξτε τον δίσκο κοπής και τους συνδετήρες για χαλαρότητα, ρωγμές ή τυχόν κάμψη.
 - Ελέγξτε τις άκρες κοπής (δόντια) και διαμορφώστε τα με μια επίπεδη λίμα.
1. Κρατήστε έκαστο δόντι αιχμηρό.
 2. Γύρω από τη ρίζα κάθε δοντιού, χρησιμοποιήστε κυλινδροειδή λίμα.
 3. Μην χρησιμοποιείτε νερό κατά την εφαρμογή της μηχανής τροχίσματος.
- Συνιστάται το τρόχισμα να πραγματοποιείται από επαγγελματίες.
 - Ειδικά σε ότι αφορά το τρόχισμα του δίσκου κοπής πριονιού, προτείνεται να λαμβάνει χώρα μόνον από επαγγελματίες.
- ΠΡΟΣΟΧΗ:** Βεβαιωθείτε ότι ο κινητήρας έχει σταματήσει και είναι κρύος πριν εκτελέσετε οποιοδήποτε Service στο μηχανήμα. Επαφή με κινούμενη κεφαλή κοπής ή καυτή εξάτμιση μπορεί να οδηγήσει σε σοβαρό τραυματισμό.

Φίλτρο αέρα

Η συσσωρευμένη σκόνη στο φίλτρο αέρα θα μειώσει την απόδοση του κινητήρα. Αυξήστε την κατανάλωση καυσίμου και επιτρέψτε σε λειαντικά σωματίδια να εισέλθουν κινητήρα. Αφαιρέστε το φίλτρο αέρα όσο συχνά απαιτείται προκειμένου να το διατηρήσετε σε καθαρή κατάσταση. Η ελαφριά σκόνη επιφάνειας μπορεί εύκολα να αφαιρεθεί με ανακίνηση του φίλτρου. Οι βαρύτερες εναποθέσεις σκόνης θα πρέπει να ξεπλένονται σε κατάλληλο διαλύτη. Αφαιρέστε το κάλυμμα φίλτρου χαλαρώνοντας το κομβίο ρύθμισης καλύμματος φίλτρου αέρα.

Ρύθμιση του καμπυρατέρ

Μην ρυθμίζετε το καμπυρατέρ εκτός και εάν είναι απολύτως απαραίτητο. Αν έχετε πρόβλημα με το καμπυρατέρ, συμβουλευθείτε το προμηθευτή σας. Ακατάλληλη τυχόν ρύθμιση μπορεί να προκαλέσει βλάβη στον κινητήρα και κατά συνέπεια ακύρωση της εγγύησης.

Φίλτρο καυσίμου

Η δεξαμενή καυσίμου είναι εξοπλισμένη με ένα φίλτρο καυσίμου. Το φίλτρο βρίσκεται στο ελεύθερο τέλος του σωλήνα τροφοδοσίας του καυσίμου και μπορεί να αφαιρεθεί από την δεξαμενή με ένα άγκιστρο ή ένα λυγισμένο σύρμα. Ελέγχετε περιοδικά το φίλτρο καυσίμου. Μην αφήνετε τη σκόνη να εισέρχεται στη δεξαμενή καυσίμου. Το φραγμένο φίλτρο θα προκαλέσει δυσκολία στην εκκίνηση του κινητήρα ή ανωμαλίες στην απόδοση του κινητήρα.

- Όταν το φίλτρο είναι ακάθαρτο, αντικαταστήστε το φίλτρο.
- Όταν το εσωτερικό της δεξαμενής καυσίμου είναι ακάθαρτο, μπορεί να καθαριστεί με έκπλυση της δεξαμενής με βενζίνη.

Έλεγχος του μπουζί (Εικόνα J)

Μην επιχειρήσετε να αφαιρέσετε το μπουζί από έναν θερμό ή και καυτό κινητήρα προκειμένου να αποφύγετε πιθανή ζημιά στα σπειρώματα. Καθαρίστε ή αντικαταστήστε το μπουζί σε περίπτωση που παρατηρηθούν μεγάλης έκτασης εναποθέσεις ελαίων. Αντικαταστήστε το μπουζί εάν το κεντρικό ηλεκτρόδιο έχει φθαρεί στο άκρο του.
Διάκενο μπουζί : 0.6-0.7mm

Σύστημα γωνιακής μετάδοσης (Εικόνα Κ)

- Τα γρανάζια μειωτήρες λιπαίνονται με ειδικό γράσο γωνιακής μετάδοσης. Αντικαταστήστε το γράσο κάθε 25 ώρες χρήσης ή συχνότερα ανάλογα με την κατάσταση εργασίας.
- Αφαιρέστε το μπουλόνι του μαστού γρασαρίσματος και το μπουλόνι που βρίσκεται απέναντι από τον μαστό. Τοποθετήστε νέο γράσο στον μαστό εξωθώντας το παλιό γράσο προς την έξοδο που βρίσκεται στην αντίθετη πλευρά.

Εξάτμιση

Επιθεωρήστε περιοδικά την εξάτμιση για χαλαρές συνδέσεις, οποιαδήποτε ζημιά ή διάβρωση. Εάν βρεθεί κάποιο σημάδι διαρροής καυσαερίων, σταματήστε να χρησιμοποιείτε το μηχανήμα και επισκευάστε το αμέσως. Σημειώστε ότι αν δεν προβείτε σε άμεση επισκευή ο κινητήρας ενδεχομένως δύναται να αναφλεγεί.

Διαδικασίες που πρέπει να ακολουθούνται ανά 100 ώρες χρήσης

1. Αφαιρέστε την εξάτμιση, τοποθετήστε ένα κατσαβίδι στο άνοιγμα και σκουπίστε τυχόν συσώρευση άνθρακα. Σκουπίστε ταυτόχρονα οποιαδήποτε συσώρευση άνθρακα στην εξαγωγή εξάτμισης και τη θύρα εξαγωγής του κυλίνδρου.
2. Σφίξτε όλες τις βίδες, τα βίδες και τις συνδέσεις.
3. Ελέγξτε αν τυχόν λάδι ή γράσο έχει παρεισφρήσει μεταξύ του συμπλέκτη και του τυμπάνου, και εάν ναι, σκουπίστε χρησιμοποιώντας βενζίνη άνευ ελαίων και μολύβδου.

Μεταφορά και αποθήκευση

Το εργαλείο πρέπει να απενεργοποιείται όταν μετακινείται μεταξύ χώρων εργασίας.

Με την απενεργοποίηση του εργαλείου η εξάτμιση είναι ακόμα καυτή. Μην αγγίζετε ποτέ καυτά μέρη όπως παραδείγματος χάριν την εξάτμιση.

Βεβαιωθείτε ότι καύσιμο δεν έχει διαρρεύσει από τη δεξαμενή.

Αφήστε τον κινητήρα να κρυώσει, αδειάστε τη δεξαμενή καυσίμου και διασφαλίστε ότι η μονάδα παραμένει σε σταθερή θέση κατά οποιαδήποτε μετακίνηση της με όχημα. Εάν ο δίσκος κοπής είναι τοποθετημένος, χρησιμοποιείτε πάντοτε το ανάλογο προστατευτικό κάλυμμα.

ΠΡΟΣΟΧΗ – ΚΙΝΔΥΝΟΣ!

Τοποθετείτε πάντα το προστατευτικό λάμα στον δίσκο κοπής όταν η μονάδα δεν χρησιμοποιείται. Αφαιρέστε το προστατευτικό κάλυμμα πριν χρησιμοποιήσετε το εργαλείο. Εάν δεν αφαιρεθεί το προστατευτικό κάλυμμα θα μπορούσε να καταστεί επικίνδυνο όταν ο δίσκος κοπής αρχίζει να περιστρέφεται.

ΠΡΟΣΟΧΗ - ΚΙΝΔΥΝΟΣ!

Παρακαλούμε αδειάστε την δεξαμενή καυσίμου πριν από κάθε μεταφορά προκειμένου να αποφευχθεί διαρροή καυσίμου. Προκειμένου να αποτραπεί τυχόν βλάβη στο μηχάνημα ή/και τραυματισμός σε ανθρώπου, αφαιρέστε το πρόσθετο εξάρτημα κοπής (π.χ. δίσκο κοπής) και ταυτόχρονα, συσκευάστε τον θαμνοκοπτικού όπως τον παραλάβατε από το εργοστάσιο κατασκευής στα συστατικά του μέρη. Πριν από τη μεταφορά, όλα τα συστατικά μέρη του θαμνοκοπτικού θα πρέπει να συσκευάζονται και να ελέγχονται για την ασφάλεια τους.

Εκτεταμένη αποθήκευση

Επιθεωρήστε, καθαρίστε και επισκευάστε το εργαλείο εάν είναι απαραίτητο.

- Αφαιρέστε όλα τα καύσιμα από τη δεξαμενή. Με εκκίνηση του μηχανήματος και λειτουργία για κάποιο χρονικό διάστημα το παραμένον καύσιμο θα καταναλωθεί στη γραμμή καυσίμου και στο καμπυρατέρ.

- Αφαιρέστε το μπουζί και εγχύστε καθαρό λάδι κινητήρα (1 κουτάλι του τσαγιού σε ποσότητα) στην οπή του μπουζί του κυλίνδρου και αντικαταστήστε το μπουζί.

Φυλάσσετε σε καθαρό, στεγνό, χωρίς σκόνη χώρο το εργαλείο.

ΠΡΟΣΟΧΗ – ΚΙΝΔΥΝΟΣ!

Μην αποθηκεύετε σε κλειστό χώρο όπου οι ατμοί καυσίμου μπορούν να φθάσουν σε μια ανοιχτή φλόγα φούρνων, θερμαντήρων νερού. Να αποθηκεύετε το εργαλείο μόνο σε μια κλειδωμένη και καλά αεριζόμενη περιοχή.

Επίλυση αναδυόμενων προβλημάτων

1. ΑΠΟΤΥΧΙΑ ΕΚΚΙΝΗΣΗΣ					
ΠΡΟΒΛΗΜΑ			ΠΙΘΑΝΗ ΑΙΤΙΑ	ΕΠΙΔΙΟΡΘΩΣΗ	
Πίεση συμπίεσης κυλίνδρου κανονική	Σπινθήρας μπουζί κανονικός	Ανωμαλία συστήματος καυσίμου		Δεν υπάρχει καύσιμο στην δεξαμενή Το φίλτρο καυσίμου είναι μπλοκαρισμένο	Προσθέστε καύσιμο στη δεξαμενή Καθαρίστε το φίλτρο καυσίμου
		Σύστημα καυσίμου κανονικό	Καύσιμο	Το καύσιμο είναι υπερβολικά ακάθαρτο Υπάρχει νερό στο καύσιμο Υπερβολική ποσότητα καυσίμου στον κύλινδρο Ο λόγος ανάμειξης είναι ακατάλληλος	Αντικαταστήστε το καύσιμο Αντικαταστήστε το καύσιμο Αφαιρέστε το μπουζί και στεγνώστε το Διορθώστε τον λόγο ανάμειξης
	Σύστημα καυσίμου κανονικό	Σπινθήρας καλωδίου υψηλής τάσης κανονικός	Μπουζί	Εναποθέσεις ελαίου στο μπουζί Καταστροφή μόνωσης μπουζί Διάκενο μπουζί πολύ μεγάλο ή μικρό	Καθαρίστε τις εναποθέσεις ελαίου Αντικαταστήστε το μπουζί Προσαρμόστε το διάκενο μπουζί στο εύρος από 0,6 έως 0,7 mm
		Ανωμαλία στον σπινθήρα καλωδίου υψηλής τάσης		Βλάβη καλωδίου υψηλής τάσης (ρήξη ή ολική κοπή) Χαλαρότητα πηνίου	Αντικαταστήστε ή συσφίξτε Συσφίξτε

Σύστημα καυσίμου κανονικό	Σύστημα έναυσης κανονικό	Πίεση συμπίεσης ανεπαρκής	Φθορά δακτυλίου πιστονιού Θραύση δακτυλίου πιστονιού Ενανθράκωση δακτυλίου πιστονιού Χαλάρωση μπουζί Διαρροή στην συνένωση επιφανειών κυλίνδρου και στροφαλοθάλαμου	Αντικαταστήστε με νέο Αντικαταστήστε Αφαιρέστε και αντικαταστήστε Συσφίξτε Σφραγίστε την διαρροή
		Συμπίεση κανονική	Κακή επαφή καλωδίου υψηλής τάσης και μπουζί Αποτυχία διακόπτη διακοπής λειτουργίας ή βραχυκύκλωμα	Συσφίξτε την μπουζόπιπα Επιδιορθώστε ή αντικαταστήστε

2. ΧΑΜΗΛΗ ΜΗΧΑΝΙΚΗ ΙΣΧΥΣ ΕΞΟΔΟΥ

ΠΡΟΒΛΗΜΑ	ΠΙΘΑΝΗ ΑΙΤΙΑ	ΕΠΙΔΙΟΡΘΩΣΗ
Σβήσιμο κινητήρα κατά την επιτάχυνση Λεπτός καπνός Αναστροφή στο καρμπυρατέρ	Μπλοκαρισμένο φίλτρο καυσίμου Έλλειψη καυσίμου Στην εξάτμιση υπάρχει εναπόθεση ελαίου	Καθαρίστε το φίλτρο καυσίμου, τις σωληνώσεις καυσίμου και τα σημεία όδευσης καυσίμου. Ρυθμίστε το καρμπυρατέρ Καθαρίστε τις εναποθέσεις ελαίου.
Πίεση συμπίεσης ανεπαρκής	Πιστόνι, ελατήριο πιστονιού, φθορά κυλίνδρου	Αντικατάσταση πιστονιού, ελατηρίου πιστονιού
Διαρροή στην μηχανή	Διαρροή στην επιφάνεια συνένωσης κυλίνδρου, στροφαλοθάλαμου	Επιδιόρθωση
Διαρροή σε άκρο των δύο ατράκτων	Η τσιμούχα χρήζει αντικατάστασης	Αντικαταστήστε την τσιμούχα.
	Υπερθέρμανση μηχανής Εναποθέσεις ελαίου στον θάλαμο καύσης	Αποφύγετε χρήση για μεγάλο χρονικό διάστημα, σε υψηλή ταχύτητα και μεγάλο φορτίο Καθαρίστε τις εναποθέσεις ελαίου

3. ΑΣΤΑΘΕΙΑ ΜΗΧΑΝΗΣ ΚΑΤΑ ΤΗΝ ΛΕΙΤΟΥΡΓΙΑ		
ΠΡΟΒΛΗΜΑ	ΠΙΘΑΝΗ ΑΙΤΙΑ	ΕΠΙΔΙΟΡΘΩΣΗ
Ακούγονται ήχοι τύπου κρότου στην μηχανή	Πιστόνι, ελατήριο πιστονιού, φθορά κυλίνδρου, φθορά πείρου πιστονιού, φθορά πιστονιού, φθορά στα ρουλεμάν στροφαλοθαλάμου	Αντικαταστήστε το πιστόνι, το ελατήριο πιστονιού Αντικαταστήστε τον πείρο πιστονιού, το πιστόνι Αντικαταστήστε τα ρουλεμάν
Ακούγονται μεταλλικοί ήχοι τύπου κρότου	Υπερθέρμανση μηχανής Εναποθέσεις ελαίου στον θάλαμο καύσης Το είδος της βενζίνης που χρησιμοποιείται ακατάλληλο	Αποφύγετε την χρήση, ιδιαιτέρως με υψηλή ταχύτητα και μεγάλο φορτίο , για μεγάλο χρονικό διάστημα Καθαρίστε τις εναποθέσεις καυσίμου Αντικαταστήστε με το σωστό καύσιμο των απαιτούμενων οκτανίων
Διακοπή έναυσης μηχανής	Υπάρχει νερό στο καύσιμο Λανθασμένο διάκενο μπουζί Λανθασμένο διάκενο πηνίου	Αντικαταστήστε καύσιμο Ρυθμίστε το διάκενο μπουζί στο εύρος 0.6-0.7 mm Ρυθμίστε το διάκενο πηνίου στο εύρος 0,3 - 0,4 mm

4. Η ΜΗΧΑΝΗ ΣΤΑΜΑΤΑ ΞΑΦΝΙΚΑ	
ΠΙΘΑΝΗ ΑΙΤΙΑ	ΕΠΙΔΙΟΡΘΩΣΗ
Το καύσιμο καταναλώθηκε πλήρως Μπουζί με εναποθέσεις ελαίου - βραχυκύκλωμα Αποσύνδεση καλωδίου υψηλής τάσης	Προσθέστε καύσιμο Καθαρίστε τις εναποθέσεις ελαίου Συνδέστε το καλώδιο υψηλής τάσης

Инструкции за безопасност

Тази машина може да причини сериозни наранявания. Прочетете внимателно инструкциите за правилно боравене, подготовка, поддръжка, пускане и спиране на машината. Бъдете запознати с всички органи за управление и с правилното използване на машината.

Съхранявайте това ръководство под ръка, за да можете да се обръщате към него по-късно, когато възникнат въпроси. Също така имайте предвид, че ако имате въпроси, на които не може да бъде отговорено тук, свържете се с търговеца, от когото сте закупили продукта.

Никога не позволявайте на деца или на лица, които не са в състояние да разберат напълно указанията в ръководството, да използват машината.

Оборудване за лична безопасност

Когато режете, не забравяйте да носите следните предпазни средства:

1. Каска
2. Протектори за уши
3. Защитни очила или протектор за лице
4. Дебели работни ръкавици
5. Работни обувки с нехлъзгаща се подметка

Не носете свободни дрехи, бижута, къси панталони, сандали и не ходете боси. Не носете нищо, което може да бъде захванато от движеща се част на устройството. Прикрепете косата, така че да е с дължина над раменете.

Работно място

Никога не стартирайте двигателя в затворено помещение или сграда. Отработените газове съдържат опасен въглероден оксид.

Никога не използвайте продукта:

- A. Когато земята е хлъзгава или не можете да поддържате стабилна стойка.
- B. През нощта, при силна мъгла или по всяко друго време, когато зрителното ви поле може да бъде ограничено и би било трудно да видите ясно работното място.
- C. По време на дъждовни бури, гръмотевични бури, силни или бурни ветрове или по всяко друго време, когато метеорологичните условия могат да направят използването на продукта опасно.

- Машината не може да се използва, ако не е повредена и не функционира правилно. Ако оборудването или части от него са се повредили, възложете ремонта им на специализиран техник.
- Винаги спазвайте действащите национални и международни правила за безопасност, здраве и работа.
- Не работете с машината, освен ако при проверката не сте открили никакви неизправности. Ако някоя част е дефектирала, не забравяйте да я смените, преди да използвате машината отново.
- Средата трябва да е свободна от лесно запалими и взривоопасни материали.
- Не претоварвайте машината. Използвайте машината само по предназначение.
- Винаги работете внимателно и бъдете нащрек: Не работете с машината, когато сте уморени, болни или под въздействието на алкохол, наркотици или лекарства, тъй като няма да можете да работите безопасно с машината.

Преди да стартирате машината

- Уверете се, че в работната зона няма хора или животни, когато започнете работа.
- Уверете се, че в работната зона няма препятствия.
- Уверете се, че машината ви е напълно и правилно сглобена.
- Проверете дали машината работи правилно и по-специално дали верижната шина или главата на ножицата за жив плет седи плътно и правилно, както и дали превключвателят за включване/изключване работи правилно. Не използвайте машината с повредено или силно износено режещо устройство.
- По време на работа машината вибрира. Това може да доведе до разхлабване на нейните винтове и части. Затова проверявайте всички винтове и части за затягане.

Използване на продукта

Резете само материали, препоръчани от производителя. И използвайте само за задачите, обяснени в ръководството.

1. Хванете дръжките здраво с двете си ръце, като използвате цялата си ръка. Разположете краката си леко настрани (малко по-далеч от ширината на раменете), така че тежестта ви да се разпределя равномерно между двата крака, и винаги се старайте да поддържате стабилна, равномерна стойка, докато работите.
2. Дръжте режещата приставка под нивото на кръста.
3. Поддържайте скоростта на двигателя на нивото, необходимо за извършване на работа по рязане, и никога не повишавайте скоростта на двигателя над необходимото ниво.
4. Ако уредът започне да се клати или вибрира, изключете двигателя и проверете целия уред. Не го използвайте, докато проблемът не бъде правилно отстранен.
5. Дръжте всички части на тялото си далеч от въртящата се режеща приставка и горещите повърхности.
6. Никога не докосвайте шумозаглушителя, запалителната свещ или други метални части на двигателя, докато двигателят работи или непосредствено след изключването му. Това може да доведе до сериозни изгаряния или електрически удар.

Поддръжка

- За да поддържате продукта си в изправност, извършвайте на редовни интервали операциите по поддръжка и проверка, описани в ръководството.
- Винаги се уверявайте, че сте изключили двигателя, преди да извършвате каквито и да било процедури по поддръжка или проверка. Металните части достигат високи температури веднага след спиране на двигателя.
- Използвайте само оригинални резервни части. Само за тези резервни части е гарантирано, че са проектирани и подходящи за използване с тази машина. Използването на други резервни части ще доведе до прекратяване на гаранцията и може да предизвика опасност за вас и заобикалящата ви среда.
- В случай че трябва да се замени някоя част или да се извърши поддръжка или ремонт, които не са описани в това ръководство, моля, свържете се с нашия сервизен дилър за помощ.
- При никакви обстоятелства не трябва да разглобявате продукта или да го промените по какъвто и да е начин. Това може да доведе до повреда на продукта по време на или продуктът не може да работи правилно.

Работа с гориво

- Двигателят е проектиран да работи със смесено гориво, което съдържа лесно запалим бензин. Никога не съхранявайте кутии с гориво или не зареждайте резервоара на уреда на място, където има котел, печка, огън от дърва, електрически искри, искри от заваряване или друг източник на топлина или огън, който може да възпламени горивото.
- Никога не пушете, докато работите с уреда или пълните резервоара му с гориво.
- Когато пълните резервоара, винаги изключвайте двигателя и го оставете да изстине. Преди да заредите резервоара с гориво, огледайте внимателно наоколо, за да се уверите, че наблизо няма искри или открит огън.
- Ако по време на зареждане с гориво се получи разлив на гориво, избършете напълно разлятото гориво със сух парцал.
- След зареждане с гориво завийте плътно капачката на резервоара за гориво и пренесете уреда на място, отдалечено на 3 м или повече от мястото на зареждане с гориво, преди да включите двигателя.

Транспорт и съхранение

- Когато приключите с рязането на едно място и желаете да продължите работа на друго място, изключете двигателя, повдигнете уреда и го пренесете, като обърнете внимание на острието.
- Когато транспортирате или съхранявате машината, винаги поставяйте предпазителя на режещото устройство или капака на направляващата шина.
- Когато пренасяте продукта на ръце, при необходимост покрийте режещата част, повдигнете продукта и го пренесете, като обърнете внимание на острието.
- Никога не транспортирайте продукта по неравни пътища на дълги разстояния с превозно средство, без да сте извадили цялото гориво от резервоара за гориво. Ако го направите, горивото може да изтече от резервоара по време на транспортирането.
- Предпазвайте машината от повреди при транспортирането ѝ.

ПРЕДУПРЕЖДЕНИЕ И ОПАСНОСТ

Всички модели тримери и хрсторези могат да хвърлят малки камъни, метални или дребни предмети, както и рязания материал.

Прочетете тези "Правила за безопасна работа" с внимание.

Следвайте инструкциите в ръководството за експлоатация.

Прочетете внимателно ръководството за експлоатация. Запознайте се добре с управлението и правилното използване на уреда. Знайте как да спрете уреда и да изключите двигателя. Да знаете как бързо да откачите прикачения агрегат.

Никога не позволявайте на никого да използва устройството без подходящи инструкции. Уверете се, че операторът носи предпазни средства за краката, краката, очите, лицето и слуха.

Не разчитайте, че щитът за отломки на уреда ще предпази очите ви от рикоширали или хвърлени предмети. Пазете зоната от странични лица, деца и домашни любимци. Никога не позволявайте на деца да работят или да си играят с уреда.

Не позволявайте на никого да влиза с вас в работната ОПАСНА ЗОНА. Опасната зона е зона с радиус 15 метра (около 16 крачки) или 50 фута. Настоявайте лицата, намиращи се в РИСКОВАТА ЗОНА извън опасната зона, да носят предпазни средства за очите от хвърлени предмети. Ако уредът трябва да се използва на места, където има незащитени хора, работете с ниска скорост на газта, за да намалите риска от хвърлени предмети.

Преместете превключвателя за спиране в положение "стоп", когато двигателят работи на празен ход, като по този начин се уверите, че е надежден преди рязане. Може да продължите да работите с уреда само когато стоп превключвателят е в добро състояние.

Процедури за проверка дали режещият инструмент спира да се върти, когато двигателят работи на празен ход.

Дръжте хрстореза с дясната ръка върху дръжката на спусъка, а с лявата - върху лявата дръжка.

По време на работа дръжте здраво и двете ръце.

Четкорезачката трябва да се държи в удобно положение, като дръжката на спусъка е на височината на бедрото. Поддържайте захвата и равновесието на двата си крака. Разположете се така, че да не бъдете извадени от равновесие от обратната реакция на режещия нож.

Винаги използвайте раменния колан. Настройте както коланите, така и скобата за коланите на уреда, така че уредът да виси на няколко сантиметра над нивото на земята. Режещата глава и пластмасовият щит за отломки трябва да са на едно ниво във всички посоки. Закопчайте уреда от дясната страна на тялото си.

ПРЕДУПРЕЖДЕНИЕ И ОПАСНОСТ

В допълнение към предпазните средства за глава, очи, лице и уши носете обувки, които да предпазват краката ви и да подобряват стъпването ви върху хлъзгави повърхности. Не носете вратовръзки, бижута или свободни, висящи дрехи, които могат да бъдат захванати от устройството.

Не носете обувки с отворени пръсти, не ходете боси или с голи крака. В определени ситуации трябва да носите цялостна защита на лицето и главата. Обръщайте внимание, за да не отхвърчите назад и да не забиете острието.

Преди стартиране на двигателя

1. Зоната в периметър от 15 м от лицето, което използва продукта, трябва да се счита за опасна зона, в която никой не трябва да влиза. Ако е необходимо, по периметъра на зоната трябва да се поставят жълти предупредителни въжета, предупредителни знаци. Когато работата трябва да се извършва едновременно от две или повече лица, трябва също така да се внимава постоянно да се оглеждат или да проверяват по друг начин за присъствието и местоположението на други работещи лица, така че да се поддържа разстояние между всяко лице, достатъчно за осигуряване на безопасност.
2. Проверявайте състоянието на работната зона, за да избегнете злополуки, причинени от удари в скрити препятствия, като например пънове, камъни, кутии или счупени стъкла. Отстранете всяко препятствие, преди да започнете работа.
3. Проверете цялото устройство за разхлабени крепежни елементи и течове на гориво. Уверете се, че режещата приставка е правилно монтирана и надеждно закрепена.
4. Уверете се, че предпазителят от замърсявания е здраво закрепен на мястото си.
5. Винаги използвайте презрамката за рамо. Регулирайте ремъка за удобство, преди да стартирате двигателя. Ремъкът трябва да се регулира така, че лявата ръка да може удобно да държи ръкохватката на кормилото приблизително на височината на кръста.

Стартиране на двигателя

1. Дръжте странични лица и животни на разстояние най-малко 15 м от работната точка. Ако ви приближат, незабавно спрете двигателя.
2. Продуктът е оборудван с механизъм с центробежен съединител, така че режещата приставка започва да се върти веднага след стартиране на двигателя чрез поставяне на газта в положение за стартиране. Когато стартирате двигателя, поставете продукта на земята на равна свободна площ и го дръжте здраво на място, така че да се уверите, че нито режещата част, нито дроселовата клапа ще влязат в контакт с някакво препятствие при стартирането на двигателя.

Никога не поставяйте дросела в положение за висока скорост при стартиране на двигателя.

3. След като стартирате двигателя, проверете дали режещата приставка спира да се върти, когато газта се върне напълно в първоначалното си положение. Ако тя продължава да се върти дори след като дроселовата клапа е преместена напълно назад, изключете двигателя и отнесете уреда за ремонт при оторизиран сервизен дилър на **Nakayama**.

Технически данни

Модел:	PB5221	PB5600/PB5450	PB7500	PB7700
Изместване:	52 куб. см	52 куб. см	63,3 куб. см	63,3 куб. см
Конски сили:	2hp	2,3 к.с. / 2 к.с.	3 к.с.	3 к.с.
Антивибрационна система:	Не е приложимо	ДА / Не е приложимо	Не е приложимо	ДА
Размери на вала:	28 мм * 1,5 м	28 мм * 1,5 м	28 мм * 1,5 м	28 мм * 1,5 м
Нетно тегло:	7,6 кг	8,5 кг	8,8 кг	10,8 кг

* Производителят си запазва правото да прави незначителни промени в дизайна и техническите спецификации на продуктите без предварително уведомление, освен ако тези промени не засягат значително работата и безопасността на продуктите. Частите, описани/илюстрирани на страниците на ръководството, което държите в ръцете си, може да се отнасят и за други модели от продуктова линия на производителя с подобни характеристики и може да не са включени в току-що придобития от вас продукт.

* За да се гарантира безопасността и надеждността на продукта и валидността на гаранцията, всички работи по ремонт, проверка, поправка или замяна, включително поддръжка и специални настройки, трябва да се извършват само от техници от оторизиран сервизен отдел на производителя.

* Винаги използвайте продукта с доставеното оборудване. Работата на продукта с оборудване, което не е доставено, може да доведе до неизправности или дори до сериозни наранявания или смърт. Производителят и вносителят не носят отговорност за наранявания и щети, възникнали в резултат на използването на несъответстващо на изискванията оборудване.

Разпознайте частите, илюстрирани на страници 2-3, и следвайте съответните инструкции в зависимост от типа на хрестореза.

Описание на основните части (Снимка А, страница 2 или 3)

- РЕЖЕЩА ГЛАВА: Оборудвана е с режещ диск или сменяема найлонова линия за подрязване, която се придвижва напред, когато главата на тримера се удари в земята, докато главата се върти с нормална работна скорост.
- Сглобка на задвижващия вал: Съдържа специално проектиран вътрешен гъвкав задвижващ вал.
- ДВИГАТЕЛ НА ДВИГАТЕЛЯ: Пружинен, за да се върне в режим на празен ход, когато се освободи. Когато ускорявате, натискайте спусъка постепенно, за да постигнете най-добра техника на работа. Не дръжте спусъка при стартиране.
- Превключвател за запалването: Преместете превключвателя напред, за да спрете, и назад, за да запалите.
- БЛОКИРАНЕ НА ДРОСЕЛОВАТА КЛАПА: Преди ускоряване го компресируйте.
- U-образна дръжка: тази дръжка може да се регулира по ваше желание за по-голямо удобство.
- СВЪРЗАЛНА СГРАДА: приспособление за окачване на машината на оператора, което може да се регулира по дължина.
- КАПАК НА ВЪЗДУШНАТА ЧИСТОТА: Съдържа сменяем филцов елемент.
- КАПАК НА РЕЗЕРВОАРА ЗА ГОРИВО.
- Резервоар за гориво: Съдържа гориво и горивен филтър.
- Захранваща крушка: Натискането на помпите на крушката за зареждане (от 7 до 10 пъти преди стартиране) ще премахне целия въздух и застоялото гориво от горивната система и ще доведе свежо гориво до карбуратора.
- ДРОСЕЛ: управлението на дросела се намира в горната част на капака на филтъра.
- СТУДЕНИ СТАРТОВЕ: Издърпайте лоста нагоре, за да затворите дроселовата клапа при студени стартове. Избутайте лоста надолу за позиция RUN.
- ЩИТ ЗА ДЕБРИС: Монтиран точно над режещата приставка. Помага за защитата на оператора, като отклонява отломките, образувани по време на операцията по подрязване. Не работете с уреда без щит.
- НОЖ ЗА ОТСТРАНЯВАНЕ: Отрязва найлоновата нишка до правилната дължина - 7", от главата до края на линията - когато найлоновата глава за подрязване се удари в земята по време на операцията за напредване на линията. Ако тримерът работи без нож за отрязване, линията става твърде дълга (повече от 7"), работната скорост ще забави двигателя, което ще доведе до прегряване или повреда на двигателя.
- Острие: Циркулярно острие за рязане на трева, плевели или храсти. За работа с ножа са необходими ремъци, пластмасов щит и U-образни дръжки.
- Блокировка на дросела (не е включена във всички модели)

Сглобяване и основни настройки

Монтиране на дръжката (Снимка В, страница 2)

- Разхлабете 4-те болта на горната капачка и поставете дръжката. Затегнете отново здраво болтовете.

Монтиране на дръжката (Снимка В, страница 3)

- Монтирайте дръжката в скобата. Поставете дръжката в удобно за работа положение и затегнете винтовете M5X30 и M6X50.

Предупреждение! Не се опитвайте да демонтирате двата специални винта. Позицията на двете скоби е регулирана на подходящо място, не се опитвайте да ги отстранявате или премествате. В противен случай може да се стигне до сериозно нараняване на хора.

Монтиране на дръжката (снимка С1, страница 2)

- Монтирайте дръжката в скобата. Поставете дръжката в удобно за работа положение и затегнете винта U на дръжката.

Монтиране на предпазителя от замърсяване (Снимка В, страница 2)

- Закрепете предпазителя от замърсявания с предоставените болтове към вала.

Монтиране на предпазителя от замърсяване (Снимка В, страница 3)

Монтирайте предпазния капак върху вала с помощта на скобата на предпазния капак и предоставените винтове. Затегнете винтовете, след като поставите скобата на предпазния капак на подходящото място.

Внимание! Винаги поставяйте гайката на вътрешния пръстен пред диска или найлоновите глави за подрязване върху задвижващия вал на ъгловата трансмисия.

Монтиране на острието (снимка D, страница 2)

1. Поставете ъгловия прът (1) в страничните отвори на вътрешния държач и на скоростната кутия.
2. Свалете гайката (лява) и външния държач (3) от вала на зъбната предавка.
3. Поставете острието върху вътрешния държач (2), така че маркираната страна да е обрната към държача.
4. Поставете външния държач (3) върху зъбния вал, така че вдлъбнатата страна да е обрната към острието.
5. Закрепете острието с помощта на гайката и капака (4).

Предупреждение! Винаги носете защитни ръкавици при работа с ножа и поставяйте предпазителя на ножа, когато е приложимо.

Монтиране на острието (снимка D, страница 3)

Поставете шестостенния ключ (2) в специфичния отвор в ъгловата трансмисия (3) и завъртете острието (1) с ръка, докато шестостенният ключ влезе във вътрешния отвор и блокира въртенето.

Отвийте гайката (5) по посока на часовниковата стрелка.

Издърпайте външната гайка с пръстен (7) и извадете острието (1).

Уверете се, че жлебовете на вътрешната гайка (8) съвпадат напълно с ъгловия механизъм (3).

Монтирайте острието (1) и външния пръстен - гайка (7).

Монтирайте отново гайката (5), като я затегнете напълно в посока, обратна на часовниковата стрелка.

Извадете шестоъгълния ключ (2).

Предупреждение! Винаги носете защитни ръкавици при работа с ножа и поставяйте предпазителя на ножа, когато е приложимо.

Инсталиране на главата на линията (снимка F, страница 2)

1. Докато фиксирате вала на зъбната предавка, като поставите доставения инструмент в горния държач на скоростната кутия, разхлабете и свалете гайката (лява ръка).
2. Свалете капака (1), монтирайте сглобката на главата на линията към вала на предавката и я затегнете здраво с ръка.

Инсталиране на главата на линията (снимка F, страница 3)

Поставете шестостенния ключ (2) в специфичния отвор в ъгловата трансмисия (3) и завъртете главата на режещата линия (1) с ръка, докато шестостенният ключ влезе във вътрешния отвор, блокирайки въртенето.

Уверете се, че жлебовете на вътрешната гайка с пръстен (4) съвпадат напълно с ъгловия механизъм (3).

Монтирайте главата на линията за рязане (1), като я завъртите в посока, обратна на часовниковата стрелка.

Извадете шестостенния ключ (2).

Смяна на макарата на главата на линията: (снимки G1 и G2)

Балансиране на устройството

1. Поставете ремъка и прикрепете устройството към ремъка.
2. При използване на скобата я плъзнете нагоре или надолу, докато устройството се балансира с глава, отдръпната от земята.

Преди работа

Когато смесвате бензин с масло за двутактови двигатели, използвайте само бензин, който не съдържа етанол или метанол (видове алкохол). Това ще помогне да се избегнат възможни повреди на горивните тръбопроводи и други части на двигателя.

Не смесвайте бензин и масло директно в резервоара за гориво на двигателя.

ВАЖНО: Неспазването на инструкциите за правилно смесване на горивото може да доведе до повреда на двигателя.

1. Когато приготвяте горивната смес, смесвайте само количеството, необходимо за работата, която трябва да свършите.

Не използвайте гориво, което е било съхранявано повече от 1 месец. Горивната смес, съхранявана по-дълго от този срок, ще доведе до трудно стартиране и лоша работа. Ако горивната смес е била съхранявана по-дълго от този срок, тя трябва да се отстрани и да се напълни с прясна смес.

ПРЕДУПРЕЖДЕНИЕ! ОПАСНОСТ

2. Никога не пълнете резервоара за гориво до самия му връх (под 3/4 от резервоара).
3. Никога не добавяйте гориво в резервоара в затворено непроветриво помещение.
4. Не добавяйте гориво в този уред в близост до открит огън или искри.
5. Не забравяйте да избършете разлятото гориво, преди да се опитате да стартирате двигателя.
6. Не се опитвайте да зареждате гориво в горещ двигател.

Контролни точки преди работа

1. Проверете за разхлабени болтове, гайки и фитинги.
2. Проверете въздушния чистач за замърсяване. Почистете въздушния филтър от всички замърсявания и т.н. преди работа.
3. Проверете дали протекторът е добре поставен.
4. Проверете дали няма изтичане на гориво.
5. Проверете дали острието не е напукано.

ПРЕДУПРЕЖДЕНИЕ! ОПАСНОСТ!

Отработените газове от двигателя на този продукт съдържат химикали, за които е известно, че причиняват рак, вродени дефекти или други репродуктивни увреждания.

Гориво

Предупреждение: Бензинът е много запалим. Избягвайте да пушите или да доближавате пламък или искри до горивото.

Избършете всички разливи преди да стартирате двигателя.

Уверете се, че сте спрели двигателя и сте го оставили да изстине, преди да стартирате двигателя.

Пазете открит огън далеч от зоната, където се работи с гориво или се съхранява.

Важно: Никога не използвайте масло за 4-тактов двигател или за 2-тактов двигател с водно охлаждане.

Никога не използвайте "ГОРИВО БЕЗ МАСЛО (суров бензин)".

Никога не използвайте гориво, примесено с вода.

Смесено гориво, което не е било използвано в продължение на един месец или повече, може да запуши карбуратора или да доведе до неправилна работа на двигателя. Поставете останалото гориво в херметически затворен съд и го съхранявайте в тъмно и хладно помещение.

Моля, попитайте за "смесен бензин за двутактови двигатели с въздушно охлаждане" на най-близката бензиностанция или използвайте гориво, приготвено чрез поставяне на безоловен бензин с октаново число 94 или по-високо и специално моторно масло за двутактови двигатели с въздушно охлаждане в съд за смесване в съответствие със следните съотношения и след това разклатете, за да се смесят добре.

Съотношения на смесване:

Използвайте специален тип масло за 2-тактови двигатели (30 мл масло за всеки 1 л безоловен бензин 94 октана или повече).

Зареждане на устройството с гориво

1. Развийте и свалете капачката за гориво. Поставете капачката на безпрашно място.
2. Налейте гориво в резервоара за гориво до 80% от пълния му обем.
3. Закрепете здраво капачката за гориво и избършете евентуално разлято гориво около уреда.

Операция

Процедури за стартиране и спиране на двигателя

Стартиране на студен двигател (снимка Е, страница 2 и снимка G)

1. Преместете превключвателя за спиране в положение "START".
2. Натиснете многократно (7-10 пъти) помпата за грунд, докато в нея постъпи гориво.
3. Студено стартиране: Издърпайте лоста нагоре, за да затворите дроселовата клапа.
4. Издърпайте дръжката на стартера, докато двигателят се запали фалшиво. Ако резервоарът за гориво не е пресъхнал, издърпайте стартера.
5. Натиснете лоста на дросела навътре (прекомерното натискане на лоста на дросела ще доведе до наводняване на двигателя и ще затрудни стартирането му).
6. Издърпайте дръжката на стартера, докато двигателят заработи.
7. Оставете двигателя да загрее за няколко минути, преди да използвате един до три пъти, и двигателят трябва да заработи.

Стартиране на топъл двигател (снимка Е, страница 2 и снимка G)

Ако резервоарът за гориво не е пресъхнал, издърпайте въжето на стартера един до три пъти и двигателят трябва да запали.

Предупреждение! НЕ ИЗПОЛЗВАЙТЕ ДРОСЕЛ!

Ако резервоарът за гориво е пресъхнал, след като го напълните, повторете стъпки 3 - 7 при стартиране на студен двигател.

Стартиране на студен двигател (снимка Е, страница 3 и снимка G)

1. Преместете превключвателя за запалването в положение "START".
2. Натиснете многократно (7 -10 пъти) помпата за грундиране, докато горивото постъпи в помпата за грундиране.
3. Издърпайте нагоре лоста на дросела, за да затворите дроселовата клапа.
4. Преместете спусъка на дроселовата клапа и го задръжте в позиция с блокировката на дроселовата клапа (ако има такава).
5. Издърпайте дръжката на стартера, докато двигателят се запали фалшиво.
6. Избутайте лоста на дросела навътре(прекомерното натискане на лоста на дросела ще доведе до наводняване на двигателя и ще затрудни стартирането му).
7. Издърпайте дръжката на стартера, докато двигателят заработи.
8. Когато двигателят е стартиран, изключете стартера, като завъртите лоста на дросела в положение "RUN".
9. Изключете блокировката на газта (ако има такава), като натиснете за кратко спусъка на газта.
10. Оставете двигателя да загрее за няколко минути, преди да го използвате.

Стартиране на топъл двигател (снимка Е, страница 3 и снимка G)

Лостът на дроселовата клапа в положение "RUN"

- Ако резервоарът за гориво не е пресъхнал, дръпнете стартера един до три пъти и двигателят трябва да запали.
- Ако резервоарът за гориво е пресъхнал, след зареждане повторете стъпки 1-2-7.

Предупреждение: Ако въжето на стартера се дърпа многократно при включен дросел, това може да наводни двигателя и да затрудни стартирането.

Ако сте наводнили двигателя, извадете запалителната свещ и внимателно издърпайте дръжката на стартерното въже, за да отстраните излишното гориво; след това подсушете електродите на запалителната свещ и я поставете на мястото ѝ в двигателя.

Спиране на двигателя

- Отпуснете спусъка на газта и оставете двигателя да работи на празен ход за няколко секунди.
- Преместете превключвателя в положение STOP.

Използване на раменния колан

1. Сглобете и регулирайте раменния колан и колана.
2. Регулирайте бутона за раменния колан и преместете куката към талията си, след което регулирайте колана (ако е включен колан).
3. Закачете ключалката на куката на колана.
4. Ако хросторезът не се балансира, регулирайте закачалката на ремъка и кормилото, докато се балансира.

ПРЕДУПРЕЖДЕНИЕ! Куката е разположена в дясната част на бедрото ви, а ключалката за бързо освобождаване е разположена от външната страна. Преди да използвате, моля, проверете раменния колан и потвърдете, че е наред. Ако се сблъскате с опасност, незабавно спрете хростореза и издърпайте бързо освобождаващата се ключалка, хросторезът ще се отдели от тялото ви.

Рязане с найлонова глава

НОЖЪТ за отрязване ще се намира от дясната страна на щита за отломки.

Ако хросторезът е оборудван с глава с наклонящи се крака, за да увеличите дължината на линията на рязане, натиснете режещата глава върху земята, като я насочвате надолу.

ПРЕДУПРЕЖДЕНИЕ! Когато се използва найлонова режеща линия, на уреда трябва да бъде поставен подходящ щит за отломки. Режещата линия може да се размърда, ако е изложена твърде много линия. При използване на найлонови режещи глави винаги използвайте пластмасовия щит за отломки с нож за отрязване.

За почти всички видове рязане е добре да наклоните главата на линията, така че да се осъществява контакт с частта от кръга на линията, в която линията се отдалечава от вас и от щита за отломки.

ПРЕДУПРЕЖДЕНИЕ И ОПАСНОСТ

Ако главата на линията се държи плоско към земята, така че да се реже по целия кръг на линията, отломките ще се хвърлят към вас, съпротивлението ще забави двигателя и ще изразходват много линия.

ПРЕДУПРЕЖДЕНИЕ И ОПАСНОСТ

Никога не използвайте тел или подсилена тел вместо найлоново въже за тримери. Зареждайте режещата глава с найлонова корда само с найлонова корда с подходящ диаметър.

ПРЕДУПРЕЖДЕНИЕ И ОПАСНОСТ

Бъдете изключително внимателни, когато работите върху голи места и чакъл, тъй като линията може да изхвърли малки скални частици с висока скорост. Щитовете за отломки на уреда не могат да спрат предмети, които отскачат или рикошират от твърди повърхности.

Рязане с острие

Съществуват много различни видове остриета, но най-често използваните са следните.

Острието за рязане на храсти се използва за рязане на храсти и плевели с диаметър до 3/4".

ОПАСНОСТ! Не докосвайте с острието тези видове предмети: електрически кабели, метални колове, гума, камъни, зидария, огради.

НИКОГА НЕ ИЗПОЛЗВАЙТЕ ХРАСТОРЕЗ ЗА РЯЗАНЕ НА ДЪРВЕТА.

Не режете с тъпо, напукано или повредено метално острие.

Преди да изрежете растенията, проверете дали няма препятствия, като например камъни, метални колове или жици от скъсани огради. Ако препятствието не може да бъде отстранено, отбележете местоположението му, за да можете да го избегнете с острието. Камъните и металът ще затъпят или повредят острието. Жиците могат да се закачат за главата на острието и да се размахват или да бъдат изхвърлени във въздуха. Тягата на острието е реакцията, която може да възникне, когато въртящото се острие докосне нещо, което не може да отреже. Този контакт може да доведе до спиране на острието за миг и внезапно "изтласква" устройството от обекта, който е бил ударен. Тази реакция може да бъде достатъчно силна, за да накара оператора да загуби контрол над устройството. Избутването на острието може да настъпи без предупреждение, ако острието се заклещи, застопори или закърпи. Това е по-вероятно да се случи в зони, където е трудно да се види рязаният материал. За по-лесно и безопасно рязане подхождайте към рязаните плевели отдалеч, в случай че срещнете неочакван предмет или дървесен материал, това може да сведе до минимум реакцията на тягата на острието.

Поддръжка и грижи

Зареждане на линията за подрязване

1. За резервна линия използвайте диаметър до 3 мм. Шпулата може да се използва за влакно с дължина до 6 м (20 фута) при глава 10 см (4"). Избягвайте да използвате по-голяма линия, тъй като тя може да намали ефективността на подрязване.

От съображения за безопасност не използвайте метално подсилено въже.

2. Притиснете прорезите от двете страни на корпуса на макаратата, за да откачите долната капачка.

3. Извадете макаратата и издърпайте старото влакно. Поставете единия край на новата линия през дупките на шпулата и я издърпайте, докато дължината на всяка част от линията се изравни.

4. Навийте влакното в правилната посока, както е указано на макаратата.

5. Закачете двата края на въжето в прореза на ръба на макаратата и след това прокарайте краищата през отворите на корпуса. Уверете се, че пружината и шайбите са на мястото си.

6. Докато държите макаратата към корпуса, издърпайте краищата на линията, за да ги освободите от гнездото.

7. Подравнете прореза на долната капачка с куката на корпуса и натиснете капачката към корпуса, докато щракне.

Глави за бързо навиване на конци (не са включени във всички модели): Подравнете отворите на шпулата със съответните отвори на главата, подравнете двата края на режещия конец и завъртете главата, като навивате режещия конец.

Острие (снимка Н)

• Проверете острието и скрепителните елементи за хлабини, пукнатини или огъване.

• Проверете режещите ръбове и ги реформирайте с плоска пила

1. Дръжте крайния ъгъл остър.

2. Заоблете корена на ръба, като използвате кръгла пила.

3. Не използвайте вода, когато използвате мелница.

• Препоръчително е подаването на документи да се извършва от професионалисти.

• Особено що се отнася до пиленето на острието на триона, оставете го на професионалистите.

ПРЕДУПРЕЖДЕНИЕ: Уверете се, че двигателят е спрял и е изстинал, преди да извършвате каквито и да било дейности по машината. Контакт с движеща се режеща глава или гореща може да доведе до телесни повреди.

Въздушен филтър

Натрупаният прах във въздушния филтър намалява ефективността на двигателя. Увеличава разхода на гориво и позволява на абразивни частици да преминават в двигателя. Изваждайте въздушния филтър толкова често, колкото е необходимо, за да го поддържате в чисто състояние. Лекият повърхностен прах може лесно да бъде отстранен чрез почукване на филтъра. Тежките отлагания трябва да се измият с подходящ разтворител. Свалете капака на филтъра, като разхлабите копчето на капака на въздушния филтър.

Регулиране на карбуратора

Не регулирайте карбуратора, освен ако не е необходимо.

Ако имате проблеми с карбуратора, обърнете се към вашия дилър. Неправилната настройка може да доведе до повреда на двигателя и да отмени гаранцията.

Горивен филтър

Резервоарът за гориво е снабден с филтър.

Филтърът е разположен в свободния край на тръбата за гориво и може да бъде изваден през отвора за гориво с парче закачена тел или подобно приспособление.

Периодично проверявайте горивния филтър. Не позволявайте навлизането на прах в резервоара за гориво. Запушеният филтър ще доведе до трудности при стартирането на двигателя или до аномалии в работата на двигателя.

- Когато филтърът е замърсен, го сменете.
- Когато вътрешността на резервоара за гориво е замърсена, тя може да бъде почистена чрез изплакване на резервоара с бензин.

Проверка на запалителната свещ (снимка J)

Не се опитвайте да изваждате свещта от горещ двигател, за да избегнете евентуална повреда на резбата. Почистете или сменете свещта, ако е замърсена с тежки маслени отлагания.

Сменете щепсела, ако централният електрод е заоблен в края.

Разстояние между запалителните свещи: 0,6-0,7 мм

Редукторна кутия (снимка K)

• Редукторите се смазват със специална грес за трансмисии под ъгъл в кутията на редуктора. Подавайте нова грес на всеки 25 часа работа или по-често в зависимост от условията на работа.

• Свалете болта на нипела за смазка и болта от противоположната страна на нипела за смазка. Инсталирайте нова грес в нипела за грес, за да организирате излизането на старата грес от противоположната страна.

Шумозаглушител

Периодично проверявайте шумозаглушителя за разхлабени крепежни елементи, повреди или корозия. Ако откриете някакъв признак на изтичане на отработените газове, спрете да използвате машината и я ремонтирайте незабавно.

Имайте предвид, че ако не го направите, двигателят може да се запали.

ПРОЦЕДУРИ, КОИТО ТРЯБВА ДА СЕ ИЗВЪРШВАТ СЛЕД ВСЕКИ 100 ЧАСА УПОТРЕБА

1. Свалете шумозаглушителя, вкарайте отвертка във вентилационния отвор и избършете натрупания въглерод. Едновременно избършете натрупания нагар на изпускателния отвор на заглушителя и изпускателния отвор на цилиндъра.
2. Затегнете всички винтове, болтове и фитинги.
3. Проверете дали между накладката на съединителя и барабана не е попаднало масло или грес и ако е попаднало, избършете го с безоловен бензин.

Транспорт и съхранение

- Двигателят трябва да бъде изключен, когато уредът се премества между работните зони.
- След спиране на двигателя, заглушителят е все още горещ. Никога не докосвайте горещи части, като например заглушителя.
- Уверете се, че горивото не е изтекло от резервоара.
- Оставете двигателя да изстине; изпразнете резервоара за гориво и обезопасете уреда от движение, преди да го транспортирате в превозно средство, ако е монтирано острие, винаги използвайте предпазителя на острието.

ПРЕДУПРЕЖДЕНИЕ! ОПАСНОСТ!

- Винаги поставяйте предпазителя на острието, когато уредът не се използва. Свалете предпазителя на острието, преди да използвате уреда. Ако не бъде отстранен, предпазителят на острието може да се превърне в хвърлен предмет, когато острието започне да се върти.

ПРЕДУПРЕЖДЕНИЕ! ОПАСНОСТ!

- Моля, изпразнете резервоара за гориво преди транспортиране, за да избегнете изтичане на гориво от двигателя.
- За да избегнете повреждане на режещата приставка на хрстореза и хората, моля, отстранете режещата приставка и едновременно с това издърпайте отново четката.
- Фреза, както е в завода, и след това отливане на всички части в пакета.
- Преди транспортиране всички части трябва да се опаковат и да се потвърди тяхната безопасност.

Разширено съхранение

- Проверете, почистете и ремонтирайте устройството, ако е необходимо.
- Отстранете цялото гориво от резервоара.
- Стартиране на двигателя - Това ще доведе до изразходване на цялото гориво в горивопровода и карбуратора.
- Извадете запалителната свещ и налейте една чаена лъжичка чисто моторно масло в отвора за запалителната свещ на цилиндъра - сменете запалителната свещ.
- Съхранявайте на чисто, сухо и незапращено място.

ПРЕДУПРЕЖДЕНИЕ! ОПАСНОСТ!

- Не съхранявайте в затворено помещение, където горивните пари могат да достигнат до открит пламък от нагреватели за гореща вода, печки и др. Съхранявайте само в затворено, добре проветрено помещение.

Отстраняване на неизправности

1. НЕУСПЕШНО СТАТИРАНЕ					
Проблем		Възможна причина		Резолуция	
Нормално налягане на сгъстяване на цилиндъра	Запалителна свещ нормална искра	Аномалия в горивната система		Добавяне на гориво в резервоара Почистване на горивния филтър	
		Нормална горивна система	Гориво	Горивото е твърде мръсно. В горивото има вода. В цилиндъра има твърде много гориво. Съотношението на сместа е неправилно.	Сменете горивото. Сменете горивото. Извадете запалителната свещ и я подсушете. Профилиране на сместа.
	Нормална горивна система	Нормална искра от проводник с високо напрежение	Запалителна свещ	Запалителната свещ е замърсена с маслени отлагания. Повредена изолация на запалителната свещ. Разстоянието между искрите е твърде голямо или малко.	Почистете мазните отлагания. Сменете запалителната свещ. Регулирайте разстоянието между запалителните свещи на 0,6-0,7 мм.
		Високо напрежение проводник искра аномалия		Прекъсване или скъсване на проводник за високо напрежение. Разхлабване на намотката	Сменете или затегнете. Затегнете.
Нормална горивна система	Нормална система за запалване	Налягането на компресия е недостатъчно	Атрит на буталния пръстен Счупен бутален пръстен Циментация на буталния пръстен Разхлабване на запалителната свещ. Теч от съединителната повърхност на цилиндъра и картера	Заменете с нов Заменете Премахване Затягане Премахване	
		Нормална компресия	Лош контакт на проводник за високо напрежение и запалителна свещ Повреда на стоп-изключвателя или късо съединение.	Затегнете капачката на запалителната свещ. Поправете или заменете.	

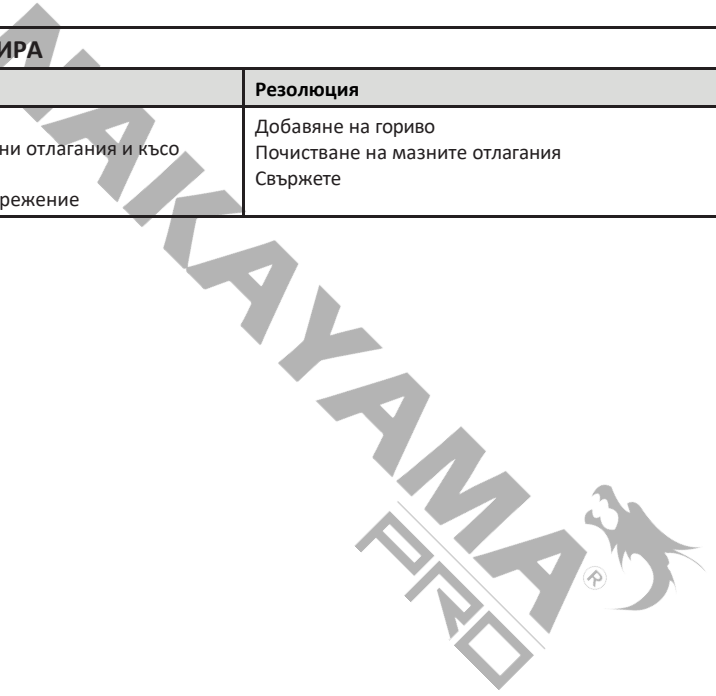
2. НИСЪК ИЗХОД		
Проблем	Възможна причина	Резолуция
Изгаряне при увеличаване на скоростта Димът е тънък, карбураторният чучур е обърнат назад.	Запушване на горивния филтър Недостиг на гориво Замърсяване на шумозаглушителя с маслени отлагания	Почистете горивния филтър, почистете пътя на горивото, регулирайте карбуратора
Пресата за компресиране е недостатъчна	Бутало, бутален пръстен, атрит на цилиндъра	Смяна на буталото, буталния пръстен
Теч от двигателя	Теч от съединителната повърхност на цилиндъра и картера	Ремонт
Крайт на две изтичания на колянния вал	Уплътнението е повредено	Смяна на уплътнението
	Двигателят прегрява Замърсяване на горивната камера с маслени отлагания	Избягвайте да го използвате продължително време, при висока скорост и голямо натоварване. Почистване на мазните отлагания

3. НЕСТАБИЛНА РАБОТА НА ДВИГАТЕЛЯ

Проблем	Възможна причина	Резолюция
В двигателя се чува почукване	Бутало, бутален пръстен, Атрит на цилиндъра, Щифт на буталото, атрит на буталото, Атрит на лагера на колянвия вал	Смяна на бутало, бутален пръстен Смяна на бутален щифт, бутало Смяна на лагер
Има метален звук на почукване	Двигателят прегрява Горивната камера е замърсена с маслени отлагания Марката бензин е неподходяща	
Прекъсване на запалването на двигателя	Има вода в горивото Разстоянието между искрите е неправилно Разстоянието между бобините е неправилно	Регулиране на горивото Регулиране на междината между искрите 0,6-0,7 мм Регулиране на междината между бобините 0,3-0,4 мм

4. ДВИГАТЕЛЯТ ВНЕЗАПНО СПИРА

Възможна причина	Резолюция
Горивото е изразходвано Запалителна свещ, замърсена с маслени отлагания и късо съединение Отпадане на проводник за високо напрежение	Добавяне на гориво Почистване на мазните отлагания Свържете



Varnostna navodila

Ta stroj lahko povzroči hude poškodbe. Pozorno preberite navodila za pravilno ravnanje, pripravo, vzdrževanje, zagon in zaustavitev stroja. Seznanite se z vsemi upravljalnimi elementi in pravilno uporabo stroja.

Ta priročnik imejte pri roki, da ga boste lahko pozneje pregledali, ko se vam bodo pojavila kakršnakoli vprašanja. Prav tako upoštevajte, da se v primeru vprašanj, na katera v tem priročniku ni mogoče odgovoriti, obrnite na prodajalca, pri katerem ste izdelek kupili.

Nikoli ne dovolite, da bi stroj uporabljali otroci ali osebe, ki ne morejo v celoti razumeti navodil iz priročnika.

Osebna varnostna oprema

Pri rezanju uporabljajte naslednjo varnostno opremo:

1. Čelada
2. Zaščitniki za ušesa
3. Zaščitna očala ali ščitnik za obraz
4. Debele delovne rokavice
5. Delovni škornji z nederščim podplatom

Ne nosite ohlapnih oblačil, nakita, kratkih hlač, sandalov in ne hodite bos. Ne nosite ničesar, kar bi se lahko zataknilo za premikajoči se del enote. Lase si uredite tako, da so daljši od ramen.

Delovno mesto

Motorja nikoli ne zaženite v zaprtem prostoru ali stavbi. Izpušni plini vsebujejo nevaren ogljikov monoksid.

Nikoli ne uporabljajte izdelka:

- A. Kadar so tla spolzka ali kadar ne morete ohraniti stabilne drže.
- B. Ponoči, ob močni megli ali kadar koli drugič, ko je vaše vidno polje omejeno in bi bilo težko jasno videti delovno površino območje.
- C. Med dežjem, nevihtami, strelami, močnim ali viharnim vetrom ali kadar koli drugič bi bila uporaba izdelka zaradi vremenskih razmer nevarna.

- Naprave ne smete uporabljati, če ni poškodovana in ne deluje pravilno. Če je oprema ali njeni deli postali okvarjeni, jo dajte popraviti specializiranemu serviserju.
- Vedno upoštevajte veljavne nacionalne in mednarodne varnostne, zdravstvene in delovne predpise.
- Ne uporabljajte stroja, če pri preverjanju niste našli nobenih napak. Če se je kakšen del pokvaril, ga pred ponovno uporabo stroja zamenjajte.
- Okolje ne sme vsebovati lahko vnetljivih in eksplozivnih snovi.
- Ne preobremenite stroja. Stroj uporabljajte le za predvideni namen.
- Vedno delajte previdno in ostanite pozorni: ne upravljajte stroja, če ste utrujeni, bolni ali pod vplivom alkohola, drog ali zdravil, saj ne boste več sposobni varno upravljati stroja.

Pred zagonom stroja

- Ko začnete delati, se prepričajte, da na delovnem območju ni oseb ali živali.
- Prepričajte se, da na delovnem območju ni ovir.
- Prepričajte se, da je stroj v celoti in pravilno sestavljen.
- Preverite, ali stroj deluje pravilno, in se prepričajte, da je verižna tirnica ali glava za rezanje žive meje tesno in pravilno nameščena ter da stikalo za vklop/izklop deluje pravilno. Ne uporabljajte stroja s poškodovano ali močno obrabljeno rezalno napravo.
- Stroj med delovanjem vibrira. To lahko povzroči, da se vijaki in deli sprostijo. Zato preverite tesnost vseh vijakov in delov.

Uporaba izdelka

Režite samo materiale, ki jih priporoča proizvajalec. Uporabljajte samo za naloge, ki so opisane v priročniku.

1. Držala trdno primite z obema rokama s celo dlanjo. Stopala postavite rahlo narazen (nekoliko bolj narazen, kot je širina vaših ramen), da bo vaša teža enakomerno porazdeljena na obe nogi, pri delu pa pazite, da ohranite stabilno in enakomerno držo.
2. Nastavek za rezanje naj bo pod nivojem pasu.
3. Ohranite hitrost motorja na ravni, ki je potrebna za opravljanje rezalnih del, in nikoli ne povečajte hitrosti motorja nad potrebno raven.
4. Če se enota začne tressti ali vibrirati, ugasnite motor in preverite celotno enoto. Naprave ne uporabljajte, dokler težave niso ustrezno odpravljene.
5. Vse dele telesa držite stran od vrtečega se rezalnega nastavka in vročih površin.
6. Nikoli se ne dotikajte dušilca zvoka, vžigalne svečke ali drugih kovinskih delov motorja med delovanjem motorja ali takoj po ugasnitvi motorja. To lahko povzroči hude opekline ali električni udar.

Vzdrževanje

- Da bi izdelek ohranili v brezhibnem stanju, v rednih časovnih presledkih izvajajte postopke vzdrževanja in preverjanja, opisane v priročniku.
 - Pred kakršnim koli vzdrževanjem ali preverjanjem vedno izklopite motor. Kovinski deli takoj po ustavitvi motorja dosežejo visoke temperature.
 - Uporabljajte samo originalne nadomestne dele. Samo za te nadomestne dele je zagotovljeno, da so zasnovani in primerni za uporabo s tem strojem.
 - Uporaba drugih nadomestnih delov pomeni izgubo garancije in lahko povzroči nevarnost za vas in vašo okolico.
 - Če je treba zamenjati kateri koli del ali opraviti kakršno koli vzdrževanje ali popravilo, ki ni opisano v tem priročniku, se obrnite na našo serviserja za pomoč.
 - Izdelka nikakor ne smete razstavljati ali kakor koli spreminjati. To lahko povzroči, da se izdelek med delovanjem poškoduje.
- delovanje ali pa izdelek ne more pravilno delovati.

Ravnanje z gorivom

- Motor je zasnovan tako, da deluje na mešano gorivo, ki vsebuje zelo vnetljiv bencin. Nikoli ne shranjujte pločevink z gorivom ali ne polnite rezervoarja naprave na mestu, kjer je kotel, peč, drva, električne iskre, varilne iskre ali kateri koli drug vir toplote ali ognja, ki bi lahko vžgal gorivo.
- Nikoli ne kadite med delovanjem naprave ali polnjenjem rezervoarja za gorivo.
- Pri polnjenju rezervoarja vedno ugasnite motor in počakajte, da se ohladi. Pred polnjenjem goriva se skrbno ozrite naokoli in se prepričajte, da v bližini ni isker ali odprtega ognja.
- Če se med točenjem goriva razlije gorivo, ga popolnoma obrišite s suho krpo.
- Po točenju goriva pokrovček za gorivo ponovno tesno privijte na rezervoar za gorivo, nato pa napravo odnesite na mesto, ki je od mesta točenja goriva oddaljeno 3 m ali več, preden vklopite motor.

Prevoz in skladiščenje

- Ko končate rezanje na enem mestu in želite nadaljevati delo na drugem mestu, izklopite motor, dvignite napravo in jo odnesite, pri tem pa bodite pozorni na rezilo.
- Pri prevozu ali shranjevanju stroja vedno namestite varovalo rezalne naprave ali pokrov vodilne palice.
- Pri ročnem prenašanju izdelka po potrebi pokrijte rezalni del, dvignite izdelek in ga prenašajte, pri tem pa bodite pozorni na rezilo.
- Izdelka nikoli ne prevažajte z vozilom po neurejenih cestah na daljše razdalje, ne da bi iz rezervoarja za gorivo odstranili vse gorivo. Če to storite, lahko med prevozom iz rezervoarja izteče gorivo.
- Med prevozom stroj zaščitite pred poškodbami.

OPOZORILA IN NEVARNOSTI

Vsi modeli obrezovalnikov in krtačnikov lahko mečejo majhne kamne, kovinske ali manjše predmete, pa tudi rezani material.

Preberite ta "Pravila za varno uporabo" pazljivo.

Upoštevajte navodila v priročniku za uporabo.

Pozorno preberite navodila za uporabo. Temeljito se seznanite z upravljanjem in pravilno uporabo enote. Vedeti morate, kako ustaviti enoto in izklopiti motor. Vedeti, kako hitro odklopiti privezane enote.

Nikoli nikomur ne dovolite, da bi uporabljal napravo brez ustreznih navodil. Prepričajte se, da upravljavec uporablja zaščito za noge, noge, oči, obraz in sluh. Ne zanašajte se na to, da vam bo ščitnik pred drobcem na enoti zaščilil oči pred odbitimi ali odvrženimi predmeti. Na območju naj ne bo mimoidočih, otrok in hišnih ljubljenčkov.

Nikoli ne dovolite otrokom, da upravljajo enoto ali se igrajo z njo.

Nikomur ne dovolite, da bi z vami vstopil v območje nevarnosti delovanja. Nevarno območje je območje s polmerom 15 metrov (približno 16 korakov) ali 50 čevljev. Zahtevajte, da osebe, ki se nahajajo v območju tveganja zunaj nevarnega območja, uporabljajo zaščito oči pred odvrženimi predmeti. Če je treba napravo uporabljati na mestih, kjer so nezaščiteni osebe, jo upravljajte z nizko hitrostjo plina, da zmanjšate nevarnost metanja predmetov.

Ko motor deluje v prostem teku, prestavite stikalo za ustavitve v položaj "stop" in se prepričajte, da je pred rezanjem zanesljiv. Napravo lahko uporabljate le, če je stikalo za ustavitve v dobrem stanju.

Postopki za preverjanje, ali se rezalni pribor preneha vrteti, ko motor deluje v prostem teku.

Krtačni rezalnik držite z desno roko na sprožilnem ročaju in z levo roko na levem ročaju. Med delovanjem naprave jo trdno držite z obema rokama.

Krtačni rezalnik je treba držati v udobnem položaju z ročajem sprožilca približno v višini bokov. Ohranite oprijem in ravnotežje na obeh nogah. Postavite se tako, da vas reakcija rezilnega lista ne bo vrgla iz ravnotežja.

Vedno uporabljajte ramenski pas. Postroj in objemko za pasove na enoti nastavite tako, da bo enota visela nekaj centimetrov nad tlemi. Rezalna glava in plastični ščitnik za ostanke morata biti v vseh smereh poravnana. Napravo pripnite na desni strani telesa.

OPOZORILA IN NEVARNOSTI

Poleg ščitnikov za glavo, oči, obraz in ušesa nosite tudi čevlje za zaščito stopal in boljše stopanje na spolzkih površinah. Ne nosite kravata, nakita ali ohlapnih, visečih oblačil, ki bi se lahko ujela v enoto.

Ne nosite odprte obutve, ne hodite bos ali z bosimi nogami. V določenih primerih morate nositi popolno zaščito obraza in glave.

Bodite pozorni, da se ne odrinete nazaj in ne potisnete z rezilom.

Pred zagonom motorja

1. Območje znotraj območja 15 m od osebe, ki uporablja izdelek, je treba obravnavati kot nevarno območje, v katerega ne sme nihče vstopiti. Po potrebi je treba po obodu območja namestiti rumeno opozorilno vrv, opozorilne znake. Kadar morata delo hkrati opravljati dve ali več oseb, je treba poskrbeti tudi za to, da se nenehno ozirate naokoli ali kako drugače preverjate prisotnost in lokacije drugih oseb, ki delajo, tako da je razdalja med posameznimi osebami zadostna za zagotavljanje varnosti.
2. Preverite stanje delovnega območja, da se izognete morebitnim nesrečam zaradi naleta na skrite ovire, kot so štori, kamni, pločevinke ali razbito steklo. Pred začetkom dela odstranite vse ovire.
3. Celotno enoto pregledajte, če so zrahljani pritrdilni elementi in če iz nje izteka gorivo. Prepričajte se, da je rezalni nastavek pravilno nameščen in varno pritrjen.
4. Prepričajte se, da je zaščita pred drobirjem trdno pritrjena na mestu.
5. Vedno uporabljajte ramenski pas. Preden zaženete motor, nastavite pas za udobje. Pas naj bo nastavljen tako, da lahko leva roka udobno drži ročaj krmila približno v višini pasu.

Zagon motorja

1. Okoliške osebe in živali naj bodo od delovnega mesta oddaljene vsaj 15 m. Če se vam približajo, takoj ustavite motor.
2. Izdelek je opremljen z mehanizmom centrifugalne sklopke, zato se rezalni nastavek začne vrteti takoj, ko se motor zažene z nastavitvijo ročice za plin v položaj za zagon. Ob zagonu motorja izdelek postavite na tla na ravnem prostem prostoru in ga trdno držite na mestu, da se ob zagonu motorja ne bi rezalni del in dušilna loputa dotaknila nobene ovire.
3. Med zagonom motorja nikoli ne postavljajte ročice za plin v položaj za visoke hitrosti.
4. Po zagonu motorja preverite, ali se rezalni nastavek preneha vrteti, ko je ročica za plin popolnoma vrnjena v prvotni položaj. Če se še naprej vrti tudi po tem, ko je bila ročica za plin popolnoma pomaknjena nazaj, ugasnite motor in napravo odnesite v popravilo k pooblaščenemu serviserju **Nakayama**.

Tehnični podatki

Model:	PB5221	PB5600/PB5450	PB7500	PB7700
Premikanje:	52 kubičnih centimetrov	52 kubičnih centimetrov	63,3 cm ³	63,3 cm ³
Konjska moč:	2 KM	2,3 KM / 2 KM	3 KM	3 KM
Protivibracijski sistem:	Se ne uporablja	DA / Se ne uporablja	Se ne uporablja	DA
Dimenzije gredi:	28 mm * 1,5 m	28 mm * 1,5 m	28 mm * 1,5 m	28 mm * 1,5 m
Neto teža:	7,6 kg	8,5 kg	8,8 kg	10,8 kg

* Proizvajalec si pridržuje pravico do manjših sprememb zasnovne in tehničnih specifikacij izdelka brez predhodnega obvestila, razen če te spremembe bistveno vplivajo na delovanje in varnost izdelkov. Deli, opisani/prikazani na straneh priročnika, ki ga držite v rokah, se lahko nanašajo tudi na druge modele proizvajalčeve linije izdelkov s podobnimi lastnostmi in morda niso vključeni v izdelek, ki ste ga pravkar pridobili.

* Da bi zagotovili varnost in zanesljivost izdelka ter veljavnost garancije, smejo vsa popravila, preglede, popravila ali zamenjave, vključno z vzdrževanjem in posebnimi nastavitvami, opravljati le tehniki pooblaščenega servisnega oddelka proizvajalca.

* Izdelek vedno uporabljajte s priloženo opremo. Uporaba izdelka z opremo, ki ni priložena, lahko povzroči nepravilno delovanje ali celo hude telesne poškodbe ali smrt. Proizvajalec in uvoznik ne odgovarjata za poškodbe in škodo, ki so posledica uporabe neustrezne opreme.

Prepoznajte dele, prikazane na straneh 2-3, in upoštevajte ustrezna navodila glede na tip vašega krtačnega rezalnika.

Opis glavnih delov (slika A, stran 2 ali 3)

1. REZALNA GLAVA: Opremljena z rezalnim diskom ali zamenljivo najlonsko rezalno vrstico, ki se premakne, ko z glavo trimerja udarimo ob tla, medtem ko se glava vrti z normalno hitrostjo delovanja.
2. Sestav pogonske gredi: vsebuje posebej zasnovano notranjo gibljivo pogonsko gred.
3. Sprožilec ročice: Vzmet, ki se ob sprostitvi vrne v prosti tek. Med pospeševanjem sprožilec pritiskajte postopoma, da dosežete najboljšo tehniko delovanja. Med zagonom ne držite sprožilca.
4. Stikalo za vžig: Za ustavitev premaknite stikalo naprej, za zagon nazaj.
5. BLOKADA DUŠILNE LOPUTE: Pred pospeševanjem ga stisnite.
6. U-ROČILO: ta ročaj lahko za udobje nastavite po želji.
7. SISTEM VESLA: nastavek, ki obesi stroj na upravljavca in je nastavljen po dolžini.
8. Pokrov zračnega čistilnika: Vsebuje zamenljiv filcni element.
9. POKROV REZERVOARJA ZA GORIVO.
10. Rezervoar za gorivo: Vsebuje gorivo in filter za gorivo.
11. Žarnica za polnjenje: S pritiskom na črpalko za zalivanje (7- do 10-krat pred zagonom) se iz sistema za gorivo odstrani ves zrak in zastarelo gorivo, v uplinjač pa priteče sveže gorivo.
12. DUSILKA: upravljalnik dušilke se nahaja na vrhu pokrova filtra.
13. Hladni zagoni: Potegnite ročico navzgor, da zaprete dušilko za hladne zagone. Potisnite ročico navzdol za položaj RUN.
13. Ščitnik proti debri: nameščen tik nad rezalnim nastavkom. Pomaga zaščititi upravljavca, saj odbija ostanke, ki nastanejo med obrezovanjem. Naprave ne uporabljajte brez ščita.
14. Odrezovalni nož: obrezuje najlonsko nitko na pravilno dolžino - 7", od glave do konca vrvice - ko se najlonska obrezovalna glava med premikanjem vrvice udari ob tla. Če trimmer deluje brez odrezovalnega noža, postane vrstica predolga (več kot 7"), hitrost delovanja upočasni motor, kar povzroči pregrevanje ali poškodbe motorja.
15. LISJE: Krožno rezilo za rezanje trave, plevela ali grmičevja. Za delovanje rezila so potrebni postroj, plastični ščitnik in U-ročaji.
16. Zaklepanje ročice (ni vključeno pri vseh modelih)

Montaža in glavne prilagoditve

Namestitev ročaja (slika C, stran 2)

- Razrahljajte 4 vijake na zgornjem pokrovu in vstavite ročaj. Vijake ponovno trdno zategnite.

Namestitev ročaja (slika C, stran 3)

- Namestite ročaj v nosilec. Ročaj postavite v udoben položaj za uporabo in zategnite vijaka M5X30 in M6X50.

Opozorilo! Ne poskušajte odstraniti dveh posebnih vijakov. Položaj obeh objemk je bil nastavljen na ustrezno mesto, ne poskušajte ju odstraniti ali premakniti. V nasprotnem primeru lahko pride do hudih telesnih poškodb.

Namestitev ročaja (slika C1, stran 2)

- Namestite ročaj v nosilec. Ročaj postavite v udoben položaj za uporabo in zategnite sklop vijakov U ročaja.

Namestitev varovala pred drobirjem (Slika B, stran 2)

- S priloženimi vijaki pritrdite varovalo pred drobirjem na gred.

Namestitev varovala pred drobirjem (Slika B, stran 3)

Varnostni pokrov namestite na gred z nosilcem varnostnega pokrova in priloženimi vijaki. Ko nastavite nosilec varnostnega pokrova na ustrezen položaj, privijte vijake.

Pozor! Notranjo obročno matico vedno namestite pred disk ali najlonske obrezovalne glave na pogonski gredi kotnega prenosnika.

Namestitev rezila (slika D, stran 2)

1. V stranski odprtini notranjega držala in ohišja menjalnika vstavite kotno palico (1).
2. Z gredi zobnika odstranite matico (levoročno) in zunanje držalo (3).
3. Rezilo namestite na notranje držalo (2), tako da je označena stran obrnjena proti držalu.
4. Zunanje držalo (3) namestite na zobato gred tako, da je vdolbena stran obrnjena proti rezilu.
5. Rezilo pritrdite z matico in pokrovom (4).

Opozorilo! Pri rokovanju z rezilom vedno nosite zaščitne rokavice in po potrebi namestite varovalo rezila.

Namestitev rezila (slika D, stran 3)

Šestiložni ključ (2) vstavite v določeno luknjo v kotnem prenosu (3) in z roko zavrtite rezilo (1), dokler šestiložni ključ ne vstopi v notranjo luknjo in blokira vrtenje.

Odvijte matico (5) v smeri urinega kazalca.

Izvlomite zunanjo obročasto matico (7) in odstranite rezilo (1).

Prepričajte se, da se utori v notranjem obročnem matici (8) popolnoma ujemajo s kotnim prenosom (3).

Namestite rezilo (1) in zunanjo obročasto matico (7).

Ponovno namestite matico (5) in jo popolnoma zategnite v smeri urinega kazalca.

Odstranite šestierokotni ključ (2).

Opozorilo! Pri rokovanju z rezilom vedno nosite zaščitne rokavice in po potrebi namestite varovalo rezila.

Namestitev glave linije (slika F, stran 2)

1. Med blokiranjem gredi menjalnika z vstavljanjem priloženega orodja v zgornje držalo na menjalniku sprostite in odstranite matico (levoročno).
2. Odstranite pokrov (1), namestite sklop vodilne glave na gred zobnika in ga z roko dobro zategnite.

Namestitev glave linije (slika F, stran 3)

Šestiložni ključ (2) vstavite v določeno luknjo v kotnem prenosu (3) in z roko zavrtite glavo rezalne linije (1), dokler šestiložni ključ ne vstopi v notranjo luknjo in blokira vrtenje.

Prepričajte se, da se utori v notranjem obročnem maticniku (4) popolnoma ujemajo s kotnim prenosom (3).

Namestite glavo linije za rezanje (1), obračajoč jo se v nasprotni smeri urinega kazalca.

Odstranite šestiložni ključ (2).

Zamenjava tuljave z glavo vrvice: (Sliki G1 in G2)**Uravnoteženje enote**

1. Nataknite trak in pritrdite enoto na trak.
2. Objemko premaknite navzgor ali navzdol, dokler se enota med uporabo ne uravnesi z glavo, ki je odmaknjena od tal.

Pred uporabo

Pri mešanju bencina z oljem dvokrožnega motorja uporabljajte samo bencin, ki ne vsebuje etanola ali metanola (vrste alkohola). S tem se boste izognili morebitnim poškodbam vodov za gorivo in drugih delov motorja.

Ne mešajte bencina in olja neposredno v rezervoarju za gorivo motorja.

POMEMBNO: Neupoštevanje navodil za pravilno mešanje goriva lahko povzroči poškodbe motorja.

1. Ko pripravljate mešanico goriva, zmešajte le toliko, kolikor je potrebno za delo, ki ga nameravate opraviti.

Ne uporabljajte goriva, ki je bilo shranjeno dlje kot 1 mesec. Mešanica goriva, shranjena dlje, bo povzročila težak zagon in slabše delovanje. Če je bila mešanica goriva shranjena dlje, jo je treba odstraniti in napolniti s svežo mešanico.

OPOZORILO! NEVARNOST

2. nikoli ne napolnite rezervoarja za gorivo do vrha (manj kot 3/4 rezervoarja).
3. Nikoli ne dolivajte goriva v rezervoar v zaprtem, neprezračevanem prostoru.
4. Ne dodajajte goriva v to enoto v bližini odprtega ognja ali isker.
5. Pred zagonom motorja obvezno obrišite razlito gorivo.
6. Ne poskušajte natočiti goriva v vroč motor.

Kontrolne točke pred začetkom delovanja

1. Preverite, ali niso zrahljani vijaki, matice in priključki.
2. Preverite, ali je čistilec zraka umazan. Pred uporabo očistite zračni filter vseh nečistoč itd.
3. Preverite, ali je zaščita dobro nameščena.
4. Preverite, ali gorivo ne izteka.
5. Prepričajte se, da rezilo ni razpokano.

OPOZORILO! NEVARNOST!

Izpušni plini motorja tega izdelka vsebujejo kemikalije, za katere je znano, da povzročajo raka, okvare pri rojstvu ali druge poškodbe pri razmnoževanju.

Gorivo

Opozorilo: Bencin je zelo vnetljiv. Izogibajte se kajenju ali kakršnemu koli plamenu ali iskreju v bližini goriva.

Pred zagonom motorja obrišite vse razlite tekočine.

Pred zagonom motorja ga ustavite in počakajte, da se ohladi.

Odp rtega ognja ne približujte prostoru, kjer se ravna z gorivom ali se ga skladišči.

Pomembno: Nikoli ne uporabljajte olja za uporabo 4-taktnega motorja ali vodno hlajenega 2-taktnega motorja.

Nikoli ne uporabljajte goriva brez olja (surovega bencina).

Nikoli ne uporabljajte goriva z dodatkom vode.

Mešano gorivo, ki je ostalo neuporabljeno en mesec ali več, lahko zamaši uplinjač ali povzroči, da motor ne deluje pravilno. Preostalo gorivo prelijte v neprepustno posodo in jo hranite v temnem in hladnem prostoru.

Na najbližji bencinski črpalki povprašajte po "mešanem bencinu za zračno hlajene dvotaktne motorje" ali uporabite gorivo, ki ga pripravite tako, da v posodo za mešanje natočite neosvinčen 94-oktanski bencin ali višji in posebno olje za zračno hlajene dvotaktne motorje v skladu z naslednjimi razmerji ter dobro pretrese, da se premeša.

Razmerja mešanja:

Uporabite posebno olje za dvotaktne motorje (30 ml olja na vsak 1 l neosvinčenega bencina 94 oktanov ali več).

Polnjenje enote z gorivom

1. Odvijte in odstranite pokrovček za gorivo. Pokrovček odložite na brezprašno mesto.
2. V rezervoar za gorivo natočite gorivo do 80 % polne prostornine.
3. Dobro pritrdite pokrovček za gorivo in obrišite morebitna razlitja goriva okoli naprave.

Operacija**Postopki zagona in ustavljanja motorja****Zagon hladnega motorja (slika E, stran 2 in slika G)**

1. Prestavite stikalo za ustave v položaj "START".
2. Večkrat (7-10-krat) rahlo pritisnite na črpalko za zalivanje, dokler v črpalko za zalivanje ne priteče gorivo.
3. Hladni zagoni: Potegnite ročico navzgor, da zaprete dušilko.
4. Potegnite ročico zaganjalnika, dokler se motor lažno ne vžge. Če rezervoar za gorivo ni bil suh, potegnite zaganjalnik.
5. Ročico dušilke potisnite navznoter (pretirano vrtenje z ročico dušilke bo povzročilo poplavljanje motorja in otežilo zagon).
6. Potegnite ročico zaganjalnika, dokler se motor ne zažene.
7. Pred enim do tremi primeri uporabe pustite motor nekaj minut, da se segreje, in motor mora vskočiti.

Zagon toplega motorja (Slika E, stran 2 in slika G)

Če rezervoar za gorivo ni bil suh, potegnite zaganjalno vrstico enkrat do trikrat in motor mora zagnati.

Opozorilo! NE UPORABLJAJTE DUŠILKE!

Če je rezervoar za gorivo presahnil, po polnjenju ponovite korake 3-7 pri zagonu hladnega motorja.

Zagon hladnega motorja (slika E, stran 3 in slika G)

1. Prestavite stikalo za vžig v položaj "START".
2. Večkrat (7 -10-krat) rahlo pritisnite na črpalko za zalivanje, dokler v črpalko za zalivanje ne priteče gorivo.
3. Potegnite ročico za dušilko navzgor, da zaprete dušilko.
4. Premaknite sprožilec za plin in ga zadržite v položaju z zaporo za plin (če je prisotna).
5. Potegnite ročico zaganjalnika, dokler se motor lažno ne vžge.
6. Ročico dušilke potisnite navznoter (pretirano vrtenje z ročico dušilke bo povzročilo poplavljanje motorja in otežilo zagon).
7. Potegnite ročico zaganjalnika, dokler se motor ne zažene.
8. Ko je motor zagnan, zaganjalnik odklopite tako, da ročico dušilke obrnete v položaj "RUN".
9. Odklopite blokado dušilne lopute (če je prisotna) s kratkim pritiskom na sprožilec dušilne lopute.
10. Pred uporabo pustite motor nekaj minut, da se segreje.

Zagon toplega motorja (Slika E, stran 3 in slika G)

Ročico dušilke postavite v položaj "RUN".

- Če rezervoar za gorivo ni bil izpraznjen, potegnite zaganjalnik enkrat do trikrat in motor mora zagnati.
- Če je rezervoar za gorivo presahnil, po polnjenju ponovite korake 1-2-7.

Opozorilo: Če pri vklopljeni dušilni loputi večkrat potegnete vrstico za zaganjalnik, lahko pride do zalitja motorja in oteženega zagona.

Če ste zalivali motor, odstranite vžigalno svečko in nežno potegnite ročaj na zaganjalni vrvi, da odstranite odvečno gorivo; nato posušite elektrode vžigalne svečke in jo namestite na motor.

Ustavev motorja

- Spustite sprožilec plina in pustite, da motor nekaj sekund deluje v prostem teku.
- Prestavite stikalo v položaj STOP.

Uporaba ramenskega pasu

1. Sestavite in prilagodite ramenski pas in varnostni pas.
2. Nastavite gumb za ramenski pas in premaknite kavelj na pas, nato nastavite pas (če je pas priložen).
3. Zaklepni jeziček obesite na kavelj postroja.
4. Če krtačni rezalnik ne deluje uravnoteženo, prilagodite obešalnik in krmilo, dokler se ne uravnoteži.

OPOZORILO! Kljuka se nahaja na desnem boku, zaskočnica za hitro sprostitev pa na zunanji strani.

Pred uporabo preverite ramenski pas in potrdite, da je v redu. Če naletite na nevarnost, nemudoma ustavite krtačni rezalnik in potegnite jeziček za hitro sprostitev, krtačni rezalnik se bo odmaknil od vašega telesa.

Rezanje z najlonsko glavo

Nož za odrezovanje bo na desni strani ščita za ostanke.

Če je krtačnik opremljen z glavo s poševnimi nogami, da bi povečali dolžino rezalne linije, pritisnite rezalno glavo na tla tako, da jo vodite navzdol.

OPOZORILO! Pri uporabi najlonske rezalne vrvi mora biti na enoti nameščena ustrezna zaščita pred drobci. Rezalna vrv lahko plapolja, če je izpostavljena preveč vrvi. Pri uporabi najlonskih rezalnih glav vedno uporabljajte plastični ščitnik za ostanke z rezalnim nožem.

Pri skoraj vseh vrstah rezanja je dobro nagniti glavo vrvice tako, da se dotika tistega dela kroga vrvice, kjer se vrvica oddaljuje od vas in ščita proti drobtinam.

OPOZORILO IN NEVARNOST

Če glavo nagnete na napačno stran, bodo ostanki leteli proti vam. Če glavo vrvice držite ravno ob tleh, tako da rezanje poteka po celotnem krogu vrvice, bodo ostanki leteli proti vam, upor bo upočasnil motor, vi pa boste porabili veliko vrvice.

OPOZORILO IN NEVARNOST

Namesto najlonske vrvice nikoli ne uporabljajte žice ali vrvice, ojačane z žico. Rezalno glavo z najlonsko vrvico napolnite samo z najlonsko vrvico ustreznega premera.

OPOZORILO IN NEVARNOST

Pri vožnji po golih mestih in gramozu bodite zelo previdni, saj lahko linija pri velikih hitrostih odvrže majhne delce kamenja.

Ščitniki za drobce na enoti ne morejo zaustaviti predmetov, ki se odbijajo ali odbijajo od trdih površin.

Rezanje z rezilom

Obstaja veliko različnih vrst rezil, vendar se najpogosteje uporabljata naslednji dve.

Rezilo za rezanje grmičevja se uporablja za rezanje grmičevja in plevela do premera 3/4".

NEVARNOST! Z rezilom se ne dotikajte teh vrst predmetov: žice, kovinski koli, gume, skale, zidaki, ograje.

NIKOLI NE UPORABLJAJTE KRTAČNEGA REZALNIKA ZA REZANJE DREVES.

Ne režite z dolgočasnim, razpokanim ali poškodovanim kovinskim rezilom.

Pred rezanjem rastja preverite, ali so na njem ovire, kot so balvani, kovinski koli ali žice iz pretrganih ograj. Če ovire ni mogoče odstraniti, označite njeno lokacijo, da se ji boste lahko z rezilom izognili. Kamni in kovina utrudijo ali poškodujejo rezilo. Žice se lahko zataknejo za glavo rezila in se razletijo ali pa jih vrže v zrak.

Tlačna sila rezila je reakcija, ki lahko nastane, ko se vrteče rezilo dotakne nečesa, česar ne more prerezati. Ta stik lahko povzroči, da se rezilo za trenutek ustavi in nenadoma "potisnite" enoto stran od predmeta, ki je bil zadet. Ta reakcija je lahko tako močna, da upravljavec izgubi nadzor nad enoto. Do potiska rezila lahko pride brez opozorila, če se rezilo zatakne, ustavi ali zaveže. To se lahko zgodi na območjih, kjer je težko videti rezani material. Za lažje in varnejše rezanje se plevelu, ki ga režete, približujte z desne na levo, če naletite na nepričakovan predmet ali lesni material, kar lahko zmanjša reakcijo potiska rezila.

Vzdrževanje in nega

Polnjenje linije za obrezovanje

1. Za nadomestno vrvico uporabite premer do 3 mm. Na 10-centimetrski (4-palčni) glavi lahko namestite vrvico dolžine do 6 m. Izogibajte se uporabi večje vrvice, saj lahko zmanjša zmogljivost obrezovanja.

Iz varnostnih razlogov ne uporabljajte kovinske ojačene vrvi.

2. Stisnite reže na obeh straneh ohišja tuljave, da odklopite spodnji pokrovček.

3. Izvlecite tuljavo in odstranite staro vrvico. En konec nove vrvice vstavite skozi luknje na tuljavi in jo vleci, dokler ne bo dolžina med posameznimi deli vrvice enaka.

4. Navijte vrvico v pravi smeri, kot je označeno na tuljavi.

5. Oba konca vrvice zataknete v režo na robu tuljave, nato pa konca vrvice potegnite skozi očesca na ohišju. Prepričajte se, da so vzmet in podložke na mestu.

6. Medtem ko držite tuljavo ob ohišju, potegnite konce vrvice, da se sprostijo iz reže.

7. Ujemite režo na spodnjem pokrovčku s kavljem na ohišju in pritisnite pokrovček na ohišje, dokler se ne zaskoči.

Hitro navijalne glave (niso vključene v vse modele): Vstavite luknje za tuljavo v ustrezne luknje glave, poravnajte oba konca rezalne niti in zavrtite glavo z navijanjem rezalne niti.

Rezilo (slika H)

- Preverite, ali so rezilo in pritrdilni elementi ohlapni, razpokani ali upognjeni.

- Preverite rezalne robove in jih popravite s ploščato pilo

1. Končni vogal naj bo oster.

2. Z okroglo pilo zaokrožite koren roba.

3. Pri uporabi mlinčka ne uporabljajte vode.

- Priporočljivo je, da arhiviranje opravijo strokovnjaki.

- Še posebej glede piljenja žaginega lista, to prepustite strokovnjakom.

OPOZORILO: Pred kakršnim koli servisnim posegom na stroju se prepričajte, da se je motor ustavil in ohladil. Stik z gibajočo se rezalno glavo ali vročim lahko povzroči telesne poškodbe.

Zračni filter

Nakopičen prah v zračnem filtru zmanjša učinkovitost motorja. Povečala se bo poraba goriva, abrazivni delci pa bodo lahko prehajali v motor. Zračni filter odstranjujte tako pogosto, kot je potrebno, da ga ohranite v čistem stanju.

Lahkoten površinski prah zlahka odstranite s tapkanjem po filtru. Močne usedline je treba sprati v ustreznem topilu.

Pokrov filtra odstranite tako, da sprostite gumb za pokrov zračnega filtra.

Nastavljanje uplinjača

Uplinjevalnika ne nastavljajte, razen če je to potrebno.

Če imate težave z uplinjačem, se obrnite na prodajalca. Nepravilna nastavitve lahko povzročijo poškodbe motorja in izgubo garancije.

Filter za gorivo

Rezervoar za gorivo je opremljen s filtrom.

Filter se nahaja na prostem koncu cevi za gorivo in ga lahko skozi odprtino za gorivo izvlečete s kosom žice s kljuko ali podobno.

Redno preverjajte filter za gorivo. Ne dovolite, da bi v rezervoar za gorivo prišel prah. Zamašen filter bo povzročil težave pri zagonu motorja ali nepravilnosti v delovanju motorja.

- Če je filter umazan, ga zamenjajte.
- Če je notranjost posode za gorivo umazana, jo lahko očistite tako, da posodo sperete z bencinom.

Preverjanje vžigalne svečke (slika J)

Ne poskušajte odstraniti svečke iz vročega motorja, da ne bi prišlo do morebitnih poškodb navojev.

Če je čep onesnažen z močnimi oljnimi oblogami, ga očistite ali zamenjajte.

Če je sredinska elektroda na koncu obrabljena, vtič zamenjajte.

Vrzel med vžigalnimi svečami: 0,6-0,7 mm

Menjalnik (slika K)

• Redukcijski zobniki so namazani s posebno kotno transmisijsko mastjo v ohišju zobnika. Vsakih 25 ur uporabe ali pogosteje dodajte novo mazivo, odvisno od delovnih pogojev.

• Odstranite vijak namastne vtičnice in vijak na nasprotni strani namastne vtičnice. Namestite novo mazivo v maščobno vtičnico in poskrbite, da staro mazivo izstopi z nasprotne strani.

Dušilnik zvoka

Redno pregledajte dušilec za zrahljane pritrdilne elemente, morebitne poškodbe ali korozijo. Če odkrijete kakršne koli znake uhajanja izpušnih plinov, prenehajte uporabljati stroj in ga takoj popravite.

Če tega ne storite, lahko pride do vžiga motorja.

POSTOPKI, KI JIH JE TREBA OPRAVITI PO VSAKIH 100 URAH UPORABE

1. Odstranite dušilec zvoka, vstavite izvijač v zračnik in obrišite morebitne ostanke ogljika. Hkrati obrišite morebitne ostanke ogljika na izpušni odprtini dušilca zvoka in izpušni odprtini valja.
2. Zategnite vse vijake, sornike in napeljave.
3. Preverite, ali se je med oblogo sklopke in boben prebilo kakšno olje ali mast, in če se je, jo obrišite z bencinom brez olja in svinca.

Prevoz in skladiščenje

- Motor je treba izklopiti, ko se enota premika med delovnimi območji.
- Ko se motor ustavi, je dušilec še vedno vroč. Nikoli se ne dotikajte vročih delov, kot je dušilec zvoka.
- Prepričajte se, da gorivo ni izteklo iz rezervoarja.
- Počakajte, da se motor ohladi; izpraznite rezervoar za gorivo in pred prevozom v vozilu napravo zavarujte pred premikanjem, če je vgrajeno rezilo, vedno uporabite varovalo rezila.

OPOZORILO! NEVARNOST!

- Ko naprave ne uporabljate, na rezilo vedno namestite zaščitno rezila. Pred uporabo enote odstranite varovalo rezila. Če ga ne odstranite, lahko varovalo rezila postane odvržen predmet, ko se rezilo začne vrteti.

OPOZORILO! NEVARNOST!

- Pred prevozom izpraznite rezervoar za gorivo, da ne bi prišlo do puščanja motorja.
- Da rezalni nastavek ne bi poškodoval krtačnika in ljudi, odstranite rezalni nastavek in hkrati ponovno napnite krtačo.
- Cutter kot tovarniško stanje, nato pa vse dele odlijte v paket.
- Pred prevozom je treba vse dele zapakirati in potrditi njihovo varnost.

Razširjeno shranjevanje

- Po potrebi pregledjte, očistite in popravite enoto.
- Iz rezervoarja odstranite vse gorivo.
- Zagon motorja - Pri tem se porabi vse gorivo v cevi za gorivo in uplinjaču.
- Odstranite vžigalno svečko in v odprtino za vžigalno svečko valja vlijte eno čajno žličko čistega motornega olja - zamenjajte vžigalno svečko.
- Shranjujte v čistem, suhem prostoru brez prahu.

OPOZORILO! NEVARNOST!

- Ne shranjujte v zaprtem prostoru, kjer hlapi goriva lahko dosežejo odprt plamen iz grelnikov vode, peči itd. Hranite samo v zaprtem, dobro prezračevanem prostoru.

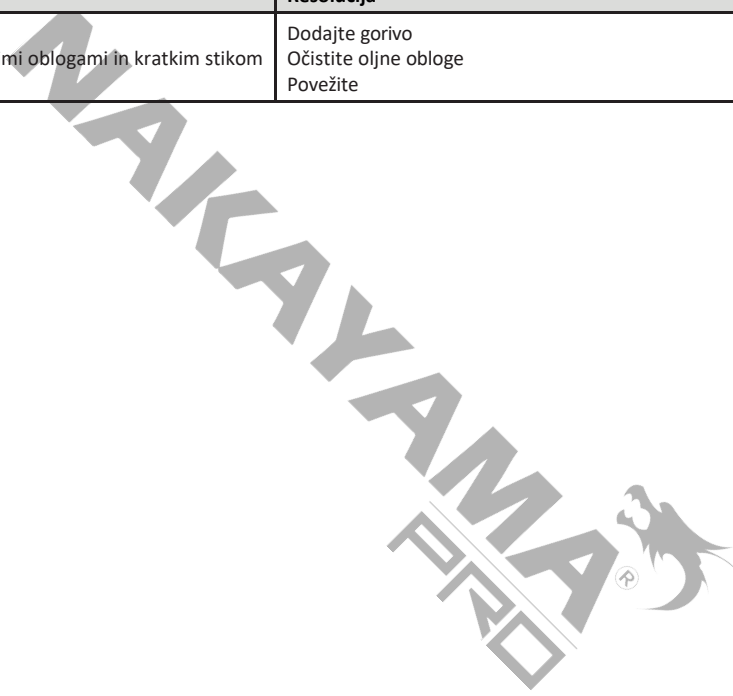
Odpravljanje težav

1. NEUSPEŠEN ZAGON					
Problem			Možen vzrok		Resolucija
Kompresijski tlak v valju normalen	Vžigalna svečka iskri normalno	Nepravilnosti v sistemu za gorivo		V rezervoarju ni goriva Obiskan je filter za gorivo.	Dodajte gorivo v Očistite filter za
		Normalen sistem za gorivo	Gorivo	Gorivo je preveč umazano. V gorivu je voda. V valju je preveč goriva. Razmerje mešanja je nepravilno.	Zamenjajte gorivo. Zamenjajte gorivo. Odstranite vžigalno svečko in jo posušite. Razporeditev mešanice.
	Normalen sistem za gorivo	Visoka napetost žica iskra normalno	Vžigalna svečka	Vžigalna svečka je onesnažena z oljnimi oblogami. Poškodovana izolacija vžigalne svečke. Iskra je prevelika ali premajhna.	Očistite oljne obloge. Zamenjajte vžigalno svečko. Vrzel med vžigalnimi svečami nastavite na 0,6-0,7 mm.
		Visokonapetostna žica iskre nepravilnosti		Visokonapetostna žica se prelomi ali odtrga. Ohlapnost tuljave	Zamenjajte ali zategnite. Zategnite.
Normalen sistem za gorivo	Sistem vžiga normalen	Kompresijski tlak je nezadosten	Atritat batnega obroča Zlomljen batni obroč Cementacija batnega obroča Ohlapnost vžigalne svečke. Tečejo stične površine valja in ohišja ročičnega menjalnika	Zamenjajte ga z novim Zamenjajte Odpraviti Zategnite Odpraviti	
		Kompresija normalna	Visokonapetostna žica in stik vžigalne svečke sta slaba Okvara ali kratek stik zaustavitvenega stikala.	Privijte pokrovček vžigalne svečke. Popravite ali zamenjajte.	

2. NIZKI IZHOD			
Problem	Možen vzrok		Resolucija
Plamen ob povečanju hitrosti Dim je tanek, iztok uplinjača nazaj.	Filter goriva je oviran Pomanjkanje goriva Dušilnik je onesnažen z mastnimi usedlinami		Očistite filter za gorivo, očistite cesto za gorivo, nastavite uplinjač
Stiskanje stiskalnice je neustrezno	Upornik, batni obroč, atritet cilindra		Zamenjajte bat, batni obroč
Puščanje motorja	Tečejo stične površine valja in karterja		Popravila
Konec puščanja dveh ročičnih gredi	Tesnilo je slabo		Zamenjajte tesnilo
	Motor se pregreva Zgorevalna komora je onesnažena z oljnimi oblogami		Ne uporabljajte ga dalj časa, pri visoki hitrosti in veliki obremenitvi. Očistite oljne obloge

3. NESTABILNO DELOVANJE MOTORJA		
Problem	Možen vzrok	Resolucija
V motorju se sliši pokanje	Bat, batni obroč, Atritet cilindra, Batni zatič, batni atritet, Ležaj ročične gredi atritet	Zamenjava bata, batnega obroča Zamenjava bata, bata Zamenjava ležaja
Obstajajo kovinski zvok udarca	Motor se pregreva Zgorevalna komora je onesnažena z oljnimi usedlinami Blagovna znamka bencina je neprimerna	
Prekinitev vžiga motorja	V gorivu je voda Vrzel v iskri je napačna Vrzel v tuljavi je napačna	Namesto goriva Prilagodite vrzel v iskri 0,6-0,7 mm Prilagodite vrzel v tuljavi 0,3- 0,4 mm

4. SE JE MOTOR NENADOMA USTAVIL	
Možen vzrok	Resolucija
Poraba goriva je izčrpana Vžigalna svečka je onesnažena z oljnimi oblogami in kratkim stikom Odpade visokonapetostna žica	Dodajte gorivo Očistite oljne obloge Povežite



Instrucțiuni de siguranță

Acest aparat poate provoca leziuni grave. Citiți cu atenție instrucțiunile pentru manipularea, pregătirea, întreținerea, pornirea și oprirea corectă a mașinii.

Fiți familiarizat cu toate comenzile și cu utilizarea corectă a mașinii.

Păstrați acest manual la îndemână pentru a vă putea referi la el mai târziu ori de câte ori apar întrebări. De asemenea, rețineți că, în cazul în care aveți întrebări la care nu se poate răspunde în acest manual, contactați dealerul de la care ați achiziționat produsul.

Nu permiteți niciodată copiilor sau oricărei persoane care nu poate înțelege pe deplin instrucțiunile din manual să utilizeze aparatul.

Echipament personal de siguranță

Atunci când tăiați, asigurați-vă că purtați următoarele echipamente de siguranță:

1. Cască
2. Protectori de urechi
3. Ochelari de protecție sau ochelari de protecție a feței
4. Mănuși groase de lucru
5. Cizme de lucru cu talpă antiderapantă

Nu purtați haine largi, bijuterii, pantaloni scurți, sandale și nu mergeți desculți. Nu purtați nimic care ar putea fi prins de o parte mobilă a unității.

Fixați-vă părul astfel încât să fie deasupra lungimii umerilor.

Locul de muncă

Nu porniți niciodată motorul în interiorul unei încăperi sau clădiri închise. Gazele de eșapament conțin monoxid de carbon periculos.

Nu utilizați niciodată produsul:

- A. Când terenul este alunecos sau când nu vă puteți menține o poziție stabilă.
- B. Pe timp de noapte, pe timp de ceață densă sau în orice alt moment în care câmpul de vizibilitate ar putea fi limitat și ar fi dificil să obțineți o vedere clară a zonei de lucru.
- C. În timpul furtunilor cu ploaie, în timpul furtunilor cu fulgere, în perioadele de vânt puternic sau cu rafale de vânt sau în orice alt moment în care condițiile meteorologice ar putea face nesigură utilizarea produsului.

• Aparatul nu poate fi utilizat decât dacă nu este intact și nu funcționează corespunzător. Dacă echipamentul sau părți ale acestuia au devenit defecte, trimiteți-l la reparație la un tehnician specializat.

• Respectați întotdeauna reglementările naționale și internaționale în vigoare în materie de siguranță, sănătate și muncă.

• Nu puneți în funcțiune aparatul decât dacă nu ați constatat nicio defecțiune la verificare. Dacă o piesă a devenit defectă, asigurați-vă că o înlocuiți înainte de a utiliza din nou mașina.

• Mediul trebuie să fie lipsit de materiale ușor inflamabile și explozive.

• Nu suprasolicitați aparatul. Utilizați aparatul numai în scopul pentru care a fost conceput.

• Lucrați întotdeauna cu atenție și rămâneți vigilenți: Nu folosiți mașina atunci când sunteți obosit, bolnav sau sub influența alcoolului, a drogurilor sau a medicamentelor, deoarece nu veți mai putea folosi mașina în siguranță.

Înainte de a porni mașina

• Asigurați-vă că în zona de lucru nu se află persoane sau animale atunci când începeți să lucrați.

• Asigurați-vă că nu există obstacole în zona de lucru.

• Asigurați-vă că mașina a fost asamblată complet și corect.

• Verificați dacă aparatul funcționează corect și asigurați-vă, în special, că șina cu lanț sau capul de tuns gard viu este așezat bine și corect și că întrerupătorul de pornire/oprire funcționează corect. Nu folosiți mașina cu un dispozitiv de tăiere deteriorat sau foarte uzat.

• Mașina va vibra în timpul funcționării. Acest lucru poate cauza slăbirea șuruburilor și a pieselor sale. Prin urmare, verificați dacă toate șuruburile și piesele sunt bine strânse.

Utilizarea produsului

Tăiați numai materialele recomandate de producător. Și folosiți-o numai pentru sarcinile explicate în manual.

1. Prindeți ferm mânerul cu ambele mâini, folosind întreaga mână. Așezați-vă picioarele ușor depărtate (puțin mai mult decât lățimea umerilor), astfel încât greutatea să fie distribuită uniform pe ambele picioare și asigurați-vă întotdeauna că mențineți o poziție constantă și uniformă în timpul lucrului.
2. Păstrați dispozitivul de tăiere sub nivelul taliei.
3. Mențineți turația motorului la nivelul necesar pentru efectuarea lucrărilor de tăiere și nu ridicați niciodată turația motorului peste nivelul necesar.
4. Dacă unitatea începe să tremure sau să vibreze, opriți motorul și verificați întreaga unitate. Nu o utilizați până când problema nu a fost corectată corespunzător.
5. Țineți toate părțile corpului departe de dispozitivul de tăiere rotativ și de suprafețele fierbinți.
6. Nu atingeți niciodată toba de eșapament, bujia de aprindere sau alte părți metalice ale motorului în timpul funcționării motorului sau imediat după oprirea acestuia. Acest lucru ar putea avea ca rezultat arsuri grave sau șocuri electrice.

Întreținere

• Pentru a vă menține produsul în stare de funcționare corespunzătoare, efectuați la intervale regulate operațiunile de întreținere și verificare descrise în manual.

• Asigurați-vă întotdeauna că opriți motorul înainte de a efectua orice procedură de întreținere sau verificare.

Piese metalice ating temperaturi ridicate imediat după oprirea motorului

• Utilizați numai piese de schimb originale. Numai aceste piese de schimb sunt garantate ca fiind proiectate și adecvate pentru utilizarea cu acest aparat.

Folosirea altor piese de schimb va anula garanția și poate provoca pericole pentru dvs. și pentru cei din jur.

• În cazul în care trebuie înlocuită o piesă sau trebuie efectuate lucrări de întreținere sau reparații care nu sunt descrise în acest manual, vă rugăm să vă adresați la sediul nostru dealerul de service pentru asistență.

• În niciun caz nu trebuie să demontați produsul sau să îl modificați în vreun fel. În acest caz, produsul ar putea fi deteriorat în timpul funcționare sau ca produsul să nu mai poată funcționa corect.

Manipularea combustibilului

- Motorul este proiectat să funcționeze cu un combustibil mixt, care conține benzină foarte inflamabilă. Nu depozitați niciodată bidoanele de combustibil și nu umpleți niciodată rezervorul unității într-un loc în care există un cazan, o sobă, un foc de lemne, scânteii electrice, scânteii de sudură sau orice altă sursă de căldură sau de foc care ar putea aprinde combustibilul.
- Nu fumați niciodată în timp ce folosiți aparatul sau îi umpleți rezervorul de combustibil.
- Atunci când umpleți rezervorul, opriți întotdeauna motorul și lăsați-l să se răcească. Aruncați o privire atentă în jur pentru a vă asigura că nu există scânteii sau flăcări deschise în apropiere înainte de a alimenta cu combustibil.
- Ștergeți complet combustibilul vărsat cu o cârpă uscată dacă se produce o scurgere de combustibil în timpul alimentării cu combustibil.
- După realimentare, înșurubați bine capacul rezervorului de combustibil și apoi transportați aparatul la o distanță de 3 m sau mai mult de locul unde a fost realimentat înainte de a porni motorul.

Transport și depozitare

- Când terminați de tăiat într-un loc și doriți să continuați lucrul în alt loc, opriți motorul, ridicați aparatul și transportați-l cu atenție la lamă.
- Când transportați sau depozitați mașina, montați întotdeauna protecția dispozitivului de tăiere sau capacul barei de ghidare.
- Când transportați produsul cu mâna, acoperiți partea de tăiere dacă este necesar, ridicați produsul și transportați-l cu atenție la lamă.
- Nu transportați niciodată produsul pe drumuri accidentate pe distanțe lungi cu un vehicul fără a scoate tot combustibilul din rezervor. În acest caz, combustibilul s-ar putea scurge din rezervor în timpul transportului.
- Protejați aparatul de deteriorări atunci când îl transportați.

AVERTIZARE ȘI PERICOL

Toate modelele de mașini de tuns și de tăiat tufișuri pot arunca pietre mici, metal sau obiecte mici, precum și materialul care se taie.

Citiți aceste "Reguli pentru o utilizare în siguranță" cu grijă.

Urmați instrucțiunile din manualul de utilizare.

Citiți cu atenție manualul de utilizare. Familiarizați-vă temeinic cu comenzile și utilizarea corectă a unității. Să știți cum să opriți unitatea și să opriți motorul.

Să știți cum să decuplați rapid o unitate cu hamuri.

Nu permiteți niciodată nimănui să utilizeze aparatul fără instrucțiuni corespunzătoare. Asigurați-vă că operatorul poartă protecție pentru picioare, ochi, față și auz.

Nu vă bazați pe scutul de protecție împotriva resturilor de pe aparat pentru a vă proteja ochii de obiectele ricoșate sau aruncate. Păstrați zona liberă de trecători, copii și animale de companie. Nu permiteți niciodată copiilor să opereze sau să se joace cu unitatea.

Nu permiteți nimănui să intre cu dumneavoastră în ZONA DE PERICOL de funcționare. Zona de pericol este o zonă cu o rază de 15 metri (aproximativ 16 pași) sau 50 de picioare.

Insistați ca persoanele aflate în ZONA DE RISC dincolo de zona de pericol să poarte protecție pentru ochi împotriva obiectelor aruncate. În cazul în care unitatea trebuie utilizată unde există persoane neprotejate, operați la o viteză redusă a accelerației pentru a reduce riscul de aruncare a obiectelor.

Mutați comutatorul de oprire în poziția "stop" atunci când motorul merge la ralanti, asigurându-vă astfel că este fiabil înainte de tăiere. Puteți continua să folosiți aparatul numai atunci când comutatorul de oprire este în stare bună.

Proceduri de verificare a faptului că dispozitivul de tăiere nu se mai rotește atunci când motorul funcționează la ralanti.

Țineți mașina de tăiat perii cu mâna dreaptă pe mânerul de declanșare și cu mâna stângă pe mânerul stâng.

Păstrați o prindere fermă cu ambele mâini în timpul funcționării.

Mașina de tăiat perii trebuie ținută într-o poziție confortabilă, cu mânerul de declanșare la înălțimea soldului. Mențineți aderența și echilibrul pe ambele picioare. Poziționați-vă astfel încât să nu fiți dezechilibrat de reacția de recul a lamei de tăiere.

Folosiți în permanență hamul de umăr. Reglați atât hamul, cât și clema de prindere a hamului de pe unitate astfel încât unitatea să atârne la câțiva centimetri deasupra nivelului solului. Capul de tăiere și scutul de plastic pentru resturi trebuie să fie la nivel în toate direcțiile. Legați unitatea cu hamul pe partea dreaptă a corpului.

AVERTIZARE ȘI PERICOL

În plus față de protecția capului, a ochilor, a feței și a urechilor, purtați pantofi pentru a vă proteja picioarele și pentru a vă îmbunătăți aderența pe suprafețele alunecoase. Nu purtați cravate, bijuterii sau haine largi și atârtnate care ar putea fi prinse în unitate.

Nu purtați încălțăminte cu vârful deschis sau mergeți desculți sau cu picioarele goale. În anumite situații, trebuie să purtați protecție totală a feței și a capului.

Fiți atenți pentru a nu lovi cu piciorul în spate și a nu împinge lama.

Înainte de a porni motorul

1. Zona aflată într-un perimetru de 15 m în jurul persoanei care utilizează produsul trebuie considerată o zonă periculoasă în care nimeni nu trebuie să intre.

Dacă este necesar, în jurul perimetrului zonei trebuie amplasate frângerii galbene de avertizare, panouri de avertizare. Atunci când activitatea trebuie efectuată simultan de două sau mai multe persoane, trebuie, de asemenea, să se aibă grijă să se privească în mod constant în jur sau să se verifice în alt mod prezența și locația altor persoane care lucrează, astfel încât să se mențină o distanță suficientă între fiecare persoană pentru a asigura siguranța.

2. Verificați starea zonei de lucru pentru a evita orice accident prin lovirea de obstacole ascunse, cum ar fi buturugi, pietre, cutii de conserve sau sticlă spartă. Îndepărtați orice obstacol înainte de a începe lucrul.

3. Inspectați întreaga unitate pentru a verifica dacă există elemente de fixare slăbite și scurgeri de combustibil. Asigurați-vă că accesoriul de tăiere este instalat corect și fixat în siguranță.

4. Asigurați-vă că apărătoarea de resturi este fixată ferm în poziție.

5. Folosiți întotdeauna cureaua de umăr. Reglați cureaua pentru confort înainte de a porni motorul. Cureaua trebuie reglată astfel încât mâna stângă să poată ține confortabil mânerul ghidonului la aproximativ înălțimea taliei.

Pornirea motorului

1. Țineți persoanele aflate în preajmă și animalele la o distanță de cel puțin 15 m de punctul de operare. Dacă sunteți abordat, opriți imediat motorul.

2. Produsul este echipat cu un mecanism de ambreiaj centrifugal, astfel încât dispozitivul de tăiere începe să se rotească de îndată ce motorul este pornit prin punerea accelerației în poziția de pornire. Când porniți motorul, așezați produsul pe sol, într-o zonă plată și liberă, și țineți-l ferm pe loc, astfel încât să vă asigurați că nici partea de tăiere și nici accelerația nu intră în contact cu vreun obstacol atunci când motorul pornește.

Nu puneți niciodată accelerația în poziția de mare viteză atunci când porniți motorul.

3. După pornirea motorului, verificați dacă dispozitivul de tăiere se oprește din rotație atunci când accelerația este deplasată complet înapoi în poziția inițială.

Dacă acesta continuă să se rotească chiar și după ce accelerația a fost mutată complet înapoi, opriți motorul și duceți unitatea la un distribuitor autorizat Nakayama pentru reparații.

Date tehnice

Model:	PB5221	PB5600/PB5450	PB7500	PB7700
Deplasare:	52cc	52cc	63.3cc	63.3cc
Cai putere:	2hp	2.3hp / 2hp	3hp	3hp
Sistem antivibrație:	Nu se aplică	DA / Nu se aplică	Nu se aplică	DA
Dimensiunile arborelui:	28mm*1.5m	28mm*1.5m	28mm*1.5m	28mm*1.5m
Greutate netă:	7,6 kg	8.5kg	8,8 kg	10.8kg

* Producătorul își rezervă dreptul de a aduce modificări minore la designul și specificațiile tehnice ale produsului fără notificare prealabilă, cu excepția cazului în care aceste modificări afectează în mod semnificativ performanța și siguranța produselor. Piese descrise / ilustrate în paginile manualului pe care îl țineți în mâini pot viza și alte modele din linia de produse ale producătorului cu caracteristici similare și pot să nu fie incluse în produsul pe care tocmai l-ați achiziționat.

* Pentru a asigura siguranța și fiabilitatea produsului, precum și valabilitatea garanției, toate lucrările de reparații, inspecții, reparații sau înlocuiri, inclusiv întreținerea și reglajele speciale, trebuie să fie efectuate numai de către tehnicienii ai departamentului de service autorizat al producătorului.

* Utilizați întotdeauna produsul cu echipamentul furnizat. Funcționarea produsului cu echipamente care nu sunt furnizate poate cauza defecțiuni sau chiar vătămări grave sau chiar moartea. Producătorul și importatorul nu sunt răspunzători pentru vătămările și daunele rezultate din utilizarea unui echipament neconform.

Identificați piesele ilustrate la paginile 2-3 și urmați instrucțiunile corespunzătoare, în funcție de tipul mașinii dumneavoastră de tăiat perii.

Descrierea părților principale (imaginea A, pagina 2 sau 3)

- CAP DE TĂIERE: Echipat cu un disc de tăiere sau cu o linie de tăiere din nailon înlocuibilă care avansează atunci când capul trimmerului este lovit de sol în timp ce capul se rotește la viteza normală de funcționare.
- ANSAMBLUL ARBORE DE CONDUCERE: Conține un arbore de transmisie flexibil interior special conceput.
- TRIGATORUL DE ÎNCĂLZIRE: Încărcat cu arc pentru a reveni la ralanti atunci când este eliberat. La accelerare, apăsați treptat trăgaciul pentru a obține cea mai bună tehnică de funcționare. Nu țineți trăgaciul apăsat în timpul demarării.
- Comutatorul de aprindere: Mutați comutatorul înainte pentru a opri, înapoi pentru a porni.
- BLOCAREA ACCELERĂȚIEI: Înainte de accelerare, comprimați-l, vă rog.
- MÂNERUL U: acest mâner poate fi reglat la discreția dumneavoastră pentru confort.
- ANSAMBLUL HARNESS: un accesoriu care atârnă mașina de operator și este reglabil în lungime.
- Capacul curățătorului de aer: Conține un element de păslă înlocuibil.
- CAPACUL REZERVORULUI DE COMBUSTIBIL.
- REZERVORUL DE COMBUSTIBIL: Conține combustibilul și filtrul de combustibil.
- Bulb de amorsare: Apăsarea pompei becului de amorsare (de 7 până la 10 ori înainte de a porni), va elimina tot aerul și combustibilul vechi din sistemul de alimentare și va aduce combustibil proaspăt în carburator.
- Încetinitorul: controlul starterului este situat în partea superioară a capacului filtrului.
- PORNIRI LA RECE: Trageți maneta în sus pentru a închide starterul pentru porniri la rece. Împingeți pârghia în jos pentru poziția RUN.
- SCUTĂ DEBRIS: montată chiar deasupra dispozitivului de tăiere. Ajută la protejerea operatorului prin devierea resturilor produse în timpul operațiunii de tăiere. Nu folosiți unitatea fără scut.
- CUȚIT DE TĂIERE: Taie filamentul de nailon la lungimea corectă - 7", de la cap la capătul liniei - atunci când capul de tăiere din nailon se lovește de sol în timpul operațiunii de avansare a liniei. Dacă trimmerul este utilizat fără un cuțit de tăiere, linia devine prea lungă (mai mult de 7"), viteza de funcționare va încetini motorul, ceea ce va duce la supraîncălzirea sau deteriorarea motorului.
- LAMA: Lamă circulară pentru aplicații de tăiere a ierbii, buruienilor sau a tufişurilor. Pentru utilizarea lamei sunt necesare hamul, protecția din plastic și mânerul în U.
- BLOCAJ DE ÎNCHIDERE (nu este inclus pe toate modelele)

Montaj și reglaje principale

Montarea mânerului (imaginea C, pagina 2)

- Slăbiți cele 4 șuruburi de pe capacul superior și introduceți mânerul. Strângeți din nou bine șuruburile.

Montarea mânerului (imaginea C, pagina 3)

- Instalați mânerul în suport. Poziționați mânerul într-o poziție de operare confortabilă și strângeți șuruburile M5X30 și M6X50.

Atenție! Nu încercați să dezamblați cele două șuruburi speciale. Poziția celor două cleme a fost reglată într-un loc potrivit, nu încercați să le scoateți sau să le mutați. În caz contrar, se pot produce vătămări corporale grave.

Montarea mânerului (imaginea C1, pagina 2)

- Instalați mânerul în suport. Poziționați mânerul într-o poziție de operare confortabilă și strângeți ansamblul de șuruburi pentru mâner U.

Instalarea dispozitivului de protecție împotriva resturilor (imaginea B, pagina 2)

- Atașați la arbore garda de protecție împotriva resturilor cu ajutorul șuruburilor furnizate.

Instalarea dispozitivului de protecție împotriva resturilor (imaginea B, pagina 3)

Instalați capacul de siguranță pe arbore cu ajutorul suportului pentru capacul de siguranță și a șuruburilor furnizate. Strângeți șuruburile după ce ați fixat suportul capacului de siguranță în poziția corespunzătoare.

Atenție! Așezați întotdeauna piulița inelară interioară în fața discului sau a capetelor de tăiere din nailon de pe arborele de transmisie al transmisiei unghiulare.

Instalarea lamei (imaginea D, pagina 2)

1. Introduceți bara înclinată (1) în găurile laterale ale suportului interior și ale carcasei angrenajului.
2. Îndepărtați piulița (stângaci) și suportul exterior (3) de pe arborele de transmisie.
3. Așezați lama pe suportul interior (2). orientați partea marcată spre suport.
4. Așezați suportul exterior (3) pe arborele de angrenaj, astfel încât partea încastrată să fie orientată spre lamă.
5. Fixați lama cu ajutorul piuliței și al capacului (4).

Atenție! Purtați întotdeauna mănuși de protecție atunci când manipulați lama și plasați protecția lamei, dacă este cazul.

Instalarea lamei (imaginea D, pagina 3)

Introduceți cheia hexagonală (2) în orificiul specific din transmisia unghiulară (3) și rotiți lama (1) cu mâna până când cheia hexagonală intră în orificiul interior, blocând rotația.

Deșurubați piulița (5) în sensul acelor de ceasornic.

Scoateți piulița inelară exterioară (7) și scoateți lama (1).

Asigurați-vă că canelurile din piulița inelară interioară (8) se potrivesc perfect cu transmisia unghiulară (3).

Montați lama (1) și piulița inelară exterioară (7).

Montați din nou piulița (5), strângând-o complet în sens invers acelor de ceasornic.

Scoateți cheia hexagonală (2).

Atenție! Purtați întotdeauna mănuși de protecție atunci când manipulați lama și plasați protecția lamei, dacă este cazul.

Instalarea capului de linie (imaginea F, pagina 2)

1. În timp ce blocați arborele de transmisie prin introducerea sculei furnizate în suportul superior de pe cutia de viteze, slăbiți și îndepărtați piulița (stângaci).
2. Detașați capacul (1), montați ansamblul capului de linie pe arborele de transmisie și strângeți-l bine cu mâna.

Instalarea capului de linie (imaginea F, pagina 3)

Introduceți cheia hexagonală (2) în orificiul specific din transmisia unghiulară (3) și rotiți capul liniei de tăiere (1) cu mâna până când cheia hexagonală intră în orificiul interior, blocând rotația.

Asigurați-vă că canelurile din piulița inelară interioară (4) se potrivesc perfect cu transmisia unghiulară (3).

Montați capul liniei de tăiere (1) rotindu-l în sens invers acelor de ceasornic.

Îndepărtați cheia hexagonală (2).

Înlocuirea bobinei de cap de linie: (Imaginile G1 și G2)**Echilibrarea unității**

1. Puneți cureaua și atașați unitatea la curea.
2. Glisați cleva în sus sau în jos până când unitatea se echilibrează cu capul depărtat de sol atunci când o utilizați.

Înainte de utilizare

Atunci când amestecați benzină cu ulei pentru motoare cu două cicluri, utilizați numai benzină care nu conține etanol sau metanol (tipuri de alcool).

Acest lucru va ajuta la evitarea posibilelor deteriorări ale conductelor de combustibil ale motorului și ale altor piese ale motorului.

Nu amestecați benzină și ulei direct în rezervorul de combustibil al motorului.

IMPORTANT: Nerespectarea instrucțiunilor de amestecare corectă a combustibilului poate cauza deteriorarea motorului.

1. Atunci când pregătiți amestecul de combustibil, amestecați doar cantitatea necesară pentru munca pe care urmează să o faceți.

Nu utilizați combustibil care a fost depozitat mai mult de o lună. Amestecul de combustibil stocat mai mult timp va cauza o pornire dificilă și performanțe slabe.

Dacă amestecul de combustibil a fost stocat mai mult decât această perioadă, acesta trebuie scos și umplut cu amestec proaspăt.

AVERTISMENT! PERICOL

2. Nu umpleți niciodată rezervorul de combustibil până la partea superioară (sub 3/4 din rezervor).
3. Nu adăugați niciodată combustibil în rezervor într-o zonă închisă și neventilată.
4. Nu adăugați combustibil la această unitate în apropierea unui foc deschis sau a unor scântei.
5. Asigurați-vă că ștergeți combustibilul vărsat înainte de a încerca să porniți motorul.
6. Nu încercați să realimentați un motor fierbinte.

Puncte de control înainte de operare

1. Verificați dacă există șuruburi, piulițe și fittinguri slăbite.
2. Verificați dacă filtrul de aer este murdar. Curățați filtrul de aer de orice murdărie etc. înainte de funcționare.
3. Verificați dacă dispozitivul de protecție este bine fixat.
4. Verificați să vă asigurați că nu există scurgeri de combustibil.
5. Verificați dacă lama nu este crăpată.

AVERTISMENT! PERICOL!

Gazele de eșapament ale motorului de la acest produs conțin substanțe chimice cunoscute ca fiind cauzatoare de cancer, malformații congenitale sau alte efecte nocive asupra reproducerii.

Combustibil

Avertisment: Benzina este foarte inflamabilă. Evitați să fumați sau să aduceți orice flacără sau scânteie în apropierea combustibilului.

Ștergeți toate deversările înainte de a porni motorul.

Asigurați-vă că opriți motorul și lăsați-l să se răcească înainte de a porni motorul.

Țineți flăcările deschise departe de zona în care se manipulează sau se depozitează combustibilul.

Important: Nu folosiți niciodată ulei pentru utilizarea motoarelor cu 4 cicluri sau a motoarelor cu 2 cicluri răcite cu apă.

Nu folosiți niciodată "COMBUSTIBIL FĂRĂ ULEI (BENZINĂ BRUTĂ)".

Nu utilizați niciodată combustibil cu apă.

Combustibilul amestecat care a rămas nefolosit pentru o perioadă de o lună sau mai mult poate înfundă carburatorul sau poate duce la funcționarea necorespunzătoare a motorului. Puneți combustibilul rămas într-un recipient etanș și păstrați-l în camera întunecată și răcoasă.

Vă rugăm să cereți "benzină mixtă pentru motoare cu 2 timpi răcite cu aer" la cea mai apropiată benzinărie sau să folosiți combustibilul obținut prin introducerea benzinei fără plumb cu cifră octanică 94 sau mai mare și a uleiului special pentru motoare cu 2 timpi răcite cu aer într-un recipient de amestecare în conformitate cu următoarele proporții și apoi agitărea pentru a se amesteca bine.

Raporturile de amestecare:

Folosiți un ulei de tip special pentru 2 cicluri (30 ml de ulei pentru fiecare 1 l de benzină fără plumb cu cifra octanică 94 sau mai mare).

Alimentarea cu combustibil a unității

1. Desfaceți și scoateți capacul de combustibil. Așezați capacul pe un loc fără praf.
2. Introduceți combustibil în rezervorul de combustibil până la 80% din capacitatea maximă.
3. Fixați bine capacul de combustibil și ștergeți orice scurgere de combustibil în jurul unității.

Operațiunea

Proceduri de pornire și oprire a motorului

Pornirea unui motor rece (imaginea E, pagina 2 și imaginea G)

1. Mutați comutatorul de oprire în poziția "START".
2. Împingeți ușor pompa de amorsare în mod repetat (de 7-10 ori) până când combustibilul intră în pompa de amorsare.
3. Porniri la rece: Trageți maneta în sus pentru a închide starterul.
4. Trageți de mânerul starterului până când motorul pornește fals. Dacă rezervorul de combustibil nu a fost golit, trageți motorul de pornire.
5. Împingeți maneta de starter spre interior (o manevră excesivă a manetei de starter va cauza inundarea motorului, ceea ce va face dificilă pornirea acestuia).
6. Trageți de mânerul starterului până când motorul pornește.
7. Lăsați motorul să se încălzească timp de câteva minute înainte de a-l folosi de una până la trei ori și motorul ar trebui să pornească.

Pornirea unui motor cald (imaginea E, pagina 2 și imaginea G)

Dacă rezervorul de combustibil nu a fost golit, trageți de frânghia de pornire de una-trei ori și motorul ar trebui să pornească.

Atenție! NU FOLOSIȚI STARTERUL!

Dacă rezervorul de combustibil a fost golit, după reumplere, repetați pașii 3 - 7 la pornirea motorului la rece.

Pornirea unui motor rece (imaginea E, pagina 3 și imaginea G)

1. Mutați comutatorul de contact în poziția "START".
2. Împingeți ușor pompa de amorsare în mod repetat (de 7 - 10 ori) până când combustibilul intră în pompa de amorsare.
3. Trageți în sus maneta de blocare pentru a închide starterul.
4. Deplasați trăgaciul de accelerație și mențineți-l în poziție cu ajutorul dispozitivului de blocare a accelerației (dacă este prezent).
5. Trageți de mânerul starterului până când motorul pornește fals.
6. Împingeți maneta de starter spre interior (o pornire excesivă a manivelei de starter va cauza inundarea motorului, ceea ce va face dificilă pornirea acestuia).
7. Trageți de mânerul starterului până când motorul pornește.
8. Când motorul este pornit, deconectați demarorul prin rotirea manetei de înăbușire la "RUN".
9. Decuplați dispozitivul de blocare a accelerației (dacă este prezent) apăsând scurt pe trăgaciul accelerației.
10. Lăsați motorul să se încălzească timp de câteva minute înainte de utilizare.

Pornirea unui motor cald (imaginea E, pagina 3 și imaginea G)

Maneta starterului pe "RUN"

- Dacă rezervorul de combustibil nu a fost golit, trageți starterul de una-trei ori și motorul ar trebui să pornească.
- Dacă rezervorul de combustibil a fost golit, după reumplere, repetați pașii 1-2-7.

Avertisment: Dacă frânghia de pornire este trasă în mod repetat cu starterul în funcțiune, aceasta poate inunda motorul și face dificilă pornirea.

Dacă ați inundat motorul, scoateți bujia și trageți ușor de mânerul cablului de pornire pentru a elimina excesul de combustibil; apoi uscați electrozii bujiei și puneți-o la loc pe motor.

Oprirea motorului

- Eliberați trăgaciul de accelerație și lăsați motorul să funcționeze la ralanti timp de câteva secunde.
- Mutați comutatorul în poziția STOP.

Utilizarea hamului de umăr

1. Asamblați și reglați hamul de umăr și centura.
2. Reglați butonul de pe umăr și deplasați cârligul spre talie, apoi reglați centura (dacă este inclusă o centură).
3. Agățați fila de închidere de cârligul hamului.
4. Dacă nu se echilibrează, reglați cârligul hamului și ghidonul până când se echilibrează.

AVERTISMENT! Cârligul este situat în șoldul drept, iar dispozitivul de închidere rapidă este situat în exterior.

Înainte de utilizare, vă rugăm să verificați hamul de umăr și să confirmați că este în regulă. Dacă întâmpinați un pericol, vă rugăm să opriți imediat mașina de tăiat perii și să trageți fila de eliberare rapidă, mașina de tăiat perii va fi îndepărtată de corpul dumneavoastră.

Tăierea cu un cap de nailon

Cuțitul de tăiere se va afla în partea dreaptă a scutului pentru resturi.

În cazul în care mașina de tăiat perii este echipată cu un cap de tăiere cu piciorușe, pentru a mări lungimea liniei de tăiere, apăsați capul de tăiere pe sol, ghidându-l în jos.

AVERTISMENT! Scutul de protecție adecvat pentru resturi trebuie să fie amplasat pe unitate atunci când se utilizează linia de tăiere din nailon.

Firul de tăiere poate să se clatine dacă este expus prea mult fir. Folosiți întotdeauna scutul de protecție împotriva resturilor din plastic cu cuțitul de tăiere atunci când folosiți capete de tăiere din nailon.

Pentru aproape toate tipurile de tăiere, este bine să înclinați capul de linie astfel încât să se realizeze contactul pe partea cercului de linie în care linia se îndepărtează de dumneavoastră și de scutul de protecție împotriva resturilor.

AVERTISMENT ȘI PERICOL

Înclinarea capului în partea greșită va arunca resturile spre dumneavoastră. Dacă capul de linie este ținut plat la sol astfel încât tăierea să se producă pe întregul cerc de linie, resturile vor fi ARUNCATE spre dumneavoastră, rezistența va încetini motorul și veți consuma multă linie.

AVERTISMENT ȘI PERICOL

Nu folosiți niciodată sârmă sau linie de sârmă armată în locul liniei de nylon pentru trimmer. Încărcați capul de tăiere a liniei de nailon numai cu o linie de tăiere din nailon cu diametrul corespunzător.

AVERTISMENT ȘI PERICOL

Fiți extrem de prudent atunci când lucrați pe locuri goale și pe pietriș, deoarece linia poate arunca particule mici de piatră la viteze mari. Scuturile de protecție împotriva resturilor de pe unitate nu pot opri obiectele care ricoșează sau ricoșează de pe suprafețe dure.

Tăierea cu o lamă

Există multe tipuri diferite de lame, însă cele două cele mai frecvent utilizate sunt următoarele.

LAMA DE TĂIERE a tufelor este utilizată pentru tăierea tufelor și a buruienilor cu un diametru de până la 3/4".

PERICOL! NU atingeți cu lama aceste tipuri de obiecte: cabluri de utilități, țărșuși metalici, cauciuc, pietre, zidărie, garduri.

NU FOLOSIȚI NICIODATĂ O MAȘINĂ DE TĂIAT TUFISURI PENTRU A TĂIA COPACI.

Nu tăiați cu o lamă metalică tocată, crăpată sau deteriorată.

Înainte de a tăia vegetația, verificați dacă există obstacole, cum ar fi bolovani, țărșuși de metal sau fire de sârmă de la garduri rupte. Dacă un obstacol nu poate fi îndepărtat, marcați locația acestuia, astfel încât să îl puteți evita cu lama. Pietrele și metalul vor toci sau deteriora o lamă. Firele se pot prinde de capul lamei și se pot agita sau pot fi aruncate în aer.

Împingerea lamei este reacția care poate apărea atunci când lama care se învârtă intră în contact cu ceva ce nu poate tăia. Acest contact poate face ca lama să se oprească pentru o clipă, și "împingeți" brusc unitatea departe de obiectul lovit. Această reacție poate fi suficient de violentă pentru a face ca operatorul să piardă controlul unității. Împingerea lamei se poate produce fără avertisment dacă lama se agață, se blochează sau se blochează. Acest lucru este mai probabil să se întâmple în zonele în care este dificil de văzut materialul tăiat. Pentru a tăia cu ușurință și în siguranță, apropiați-vă de buruienile care se taie de la dreapta la stânga, în cazul în care se întâlnește un obiect neașteptat sau material lemnos, acest lucru ar putea minimiza reacția de împingere a lamei.

Întreținere și îngrijire

Reumplerea liniei de tundere

1. Pentru linia de înlocuire, utilizați un diametru de până la 3 mm. Bobina este capabilă pentru o linie de până la 6 m (20 ft) pe capul de 10 cm (4").

Evitați utilizarea unei linii mai mari, deoarece poate reduce performanța de tăiere.

Din motive de siguranță, nu folosiți parâme cu armătură metalică.

2. Strângeți zona cu fante de pe ambele părți ale carcsei bobinei pentru a decupla capacul inferior.

3. Scoateți bobina și scoateți firul vechi. Introduceți un capăt al liniei noi prin găurile bobinei și trageți de ea până când lungimea este egală între fiecare parte a liniei.

4. Înfășurați firul în direcția corectă, așa cum este indicat pe bobină.

5. Agățați fiecare capăt al liniei în fanta de pe marginea bobinei, apoi treceți capetele prin ochelarii de pe carcasă. Asigurați-vă că arcul și șaibele sunt la locul lor.

6. În timp ce țineți bobina de carcasă, trageți de capetele cablului pentru a le elibera din fantă.

7. Aliniați fanta de pe capacul de jos cu cârligul de pe carcasă, apăsați capacul împotriva carcsei până când acesta face clic.

Capete de înfășurare rapidă a firului (nu sunt incluse la toate modelele): Aliniați găurile bobinei cu găurile corespunzătoare ale capului, aliniați cele două capete ale firului de tăiere și rotiți capul prin înfășurarea firului de tăiere.

Lamă (imagine H)

• Verificați dacă lama și elementele de fixare sunt slăbite, crăpate sau îndoite.

• Verificați marginile de tăiere și reformați-le cu un fișier plat.

1. Păstrați colțul de capăt ascuțit.

2. Rotunjiți rădăcina marginii, folosind un fișier rotund.

3. Nu folosiți apă atunci când utilizați un polizor.

• Se recomandă ca arhivarea să fie făcută de profesioniști.

• Mai ales în ceea ce privește șlefuirea pânzei de ferăstrău, lăsați-o în seama profesioniștilor.

AVERTISMENT: Asigurați-vă că motorul s-a oprit și s-a răcit înainte de a efectua orice operațiune de întreținere a mașinii. Contactul cu capul de tăiere în mișcare sau cu un cap de tăiere fierbinte eșapament poate duce la vătămări corporale.

Filtru de aer

Praful acumulat în filtrul de aer va reduce eficiența motorului. Crește consumul de combustibil și permite trecerea particulelor abrazive în motor. Îndepărtați filtrul de aer ori de câte ori este necesar pentru a-l menține în stare curată.

Praful superficial ușor poate fi îndepărtat cu ușurință prin lovirea filtrului. Depunerile grele trebuie spălate cu un solvent adecvat.

Îndepărtați capacul filtrului prin slăbirea butonului de acoperire a filtrului de aer.

Reglarea carburatorului

Nu reglați carburatorul decât dacă este necesar.

Dacă aveți probleme cu carburatorul, adresați-vă dealerului dumneavoastră. O reglare necorespunzătoare poate cauza deteriorarea motorului și anularea garanției.

Filtru de combustibil

Rezervorul de combustibil este prevăzut cu un filtru.

Filtrul este situat la capătul liber al țevii de combustibil și poate fi scos prin orificiul de alimentare cu o bucată de sârmă cu cârlige sau ceva asemănător.

Verificați periodic filtrul de combustibil. Nu lăsați praful să pătrundă în rezervorul de combustibil. Filtrul înfundat va cauza dificultăți în pornirea motorului sau anomalii în performanța motorului.

- Când filtrul este murdar, înlocuiți-l.
- Atunci când interiorul rezervorului de combustibil este murdar, acesta poate fi curățat prin clătirea rezervorului cu benzină.

Verificarea bujiei de aprindere (imaginea J)

Nu încercați să scoateți bujia de pe un motor fierbinte pentru a evita posibilele deteriorări ale filetelor.

Curățați sau înlocuiți bujia dacă este murdară cu depuneri grele de ulei.

Înlocuiți fișa dacă electrodul central este uzat și rotunjit la capăt.

Decalajul bujiei de aprindere: 0,6-0,7 mm

Carcasa de angrenaje (Imagine K)

• Angrenajele de reducere sunt lubrifiate cu o unsoare specială de transmisie înclinată, în carcasa angrenajului. Furnizați unsoare nouă la fiecare 25 de ore de utilizare sau mai des în funcție de condițiile de lucru.

• Îndepărtați șurubul de la niplul de ungere și șurubul din partea opusă a niplului de ungere. Instalați unsoare nouă în niplul de ungere pentru a aranja ca unsoarea veche să iasă din partea opusă.

Evacuare

Inspectați periodic sistemul de evacuare pentru a verifica dacă există elemente de fixare slăbite, deteriorări sau coroziune. Dacă se constată orice semn de scurgere a gazelor de eșapament, nu mai utilizați mașina și cereți-i să o repareți imediat.

Rețineți că, în caz contrar, motorul poate lua foc.

PROCEDURI CARE TREBUIE EFECTUATE LA FIECARE 100 DE ORE DE UTILIZARE

1. Îndepărtați amortizorul, introduceți o șurubelniță în orificiul de aerisire și ștergeți eventualele acumulări de carbon. Ștergeți în același timp orice acumulare de carbon de pe orificiul de evacuare al amortizorului și de pe orificiul de evacuare al cilindrului.
2. Strângeți toate șuruburile, bolțurile și fittingurile.
3. Verificați dacă între garnitura de ambreiaj și tambur a pătruns ulei sau grăsime, iar dacă a pătruns, ștergeți-o folosind benzină fără ulei și fără plumb.

Transport și depozitare

- Motorul trebuie oprit atunci când unitatea este mutată între zonele de lucru.
- După ce motorul s-a oprit, eșapamentul este încă fierbinte. Nu atingeți niciodată piesele fierbinți, cum ar fi toba de eșapament.
- Confirmați că nu s-au produs scurgeri de combustibil din rezervor.
- Lăsați motorul să se răcească; goliți rezervorul de combustibil și asigurați unitatea împotriva mișcării înainte de a o transporta într-un vehicul; dacă este montată lama, utilizați întotdeauna protecția lamei.

AVERTISMENT! PERICOL!

• Așezați întotdeauna apărătoarea lamei pe lamă atunci când unitatea nu este utilizată. Îndepărtați protecția lamei înainte de a utiliza unitatea. Dacă nu este îndepărtată, protecția lamei ar putea deveni un obiect aruncat atunci când lama începe să se rotească.

AVERTISMENT! PERICOL!

- Vă rugăm să goliți rezervorul de combustibil înainte de transport, pentru a evita scurgerile din motor.
- Pentru a evita ca dispozitivul de tăiere să deterioreze dispozitivul de tăiere a periei și oamenii, vă rugăm să scoateți dispozitivul de tăiere și, în același timp, să rețineți peria.
- Tăietor ca stare de fabrică și apoi turnarea tuturor părților în pachet.
- Înainte de transport, toate piesele trebuie să fie ambalate și validate în siguranță.

Stocare extinsă

- Inspectați, curățați și reparați unitatea dacă este necesar.
- Scoateți tot combustibilul din rezervor.
- Porniți motorul -Acest lucru va consuma tot combustibilul din conducta de combustibil și din carburator.
- Scoateți bujia și turnați o lingură de ulei de motor curat în orificiul bujiei din cilindru - înlocuiți bujia.
- A se depozita într-o zonă curată, uscată, fără praf.

AVERTISMENT! PERICOL!

• Nu depozitați într-o zonă închisă în care vaporii de combustibil pot ajunge la o flacără deschisă de la încălzitoare de apă caldă, cuptoare etc. Depozitați numai într-o zonă închisă și bine ventilată.

Depanare

1. EȘECUL DE A PORNI					
Problema			Cauza posibilă	Rezoluția	
Presiunea de compresie a cilindrilor normală	Bujie scânteie normală	Anomalie a sistemului de combustibil		Nu există combustibil în rezervor Filtru de combustibil obstrucționat	Adăugați combustibil în rezervor Curățați filtrul de combustibil
		Sistemul de combustibil normal	Combustibil	Combustibilul este prea murdar. Există apă în combustibil. Este prea mult combustibil în cilindru. Raportul de amestec este necorespunzător.	Înlocuiți combustibilul. Înlocuiți combustibilul. Scoateți bujia și uscați-o. Prelucrarea amestecului.
	Sistemul de combustibil normal	Scânteie de înaltă tensiune de sârmă normală	Bujie de aprindere	Bujie de aprindere murdară cu depuneri uleioase. Deteriorarea izolației bujiei de aprindere. Distanța dintre scânteii este prea mare sau prea mică.	Curățați depunerile uleioase. Înlocuiți bujia de aprindere. Reglați distanța dintre bujii de aprindere la 0,6-0,7 mm.
		Anomalie de scânteie a cablului de înaltă tensiune		Înteruperea sau ruperea firelor de înaltă tensiune. Slăbire a bobinei	Înlocuiți sau strângeți. Strângeți.
Sistemul de combustibil normal	Sistem de aprindere normal	Presiunea de compresie este inadecvată	Uzura inelelor pistonului Inelul pistonului este rupt Inelul pistonului este cimentat Bujie slăbită. Suprafața de îmbinare a cilindrului și a carterului de manivelă prezintă scurgeri	Înlocuiți-l cu unul nou Înlocuiți Eliminați Strângeți Eliminați	
		Compresie normală	Sârmă de înaltă tensiune și contactul bujiei de aprindere slab Defecțiune a întrerupătorului de oprire sau scurtcircuit.	Strângeți capacul bujiei de aprindere. Reparați sau înlocuiți.	

2. IEȘIRE JOASĂ		
Problema	Cauza posibilă	Rezoluția
Flameout la accelerare Fumul este subțire, cu gura de carburator în spate.	Filtrul de combustibil se blochează Caderea deficitului de combustibil Evacuare murdară cu depuneri uleioase	Curățați filtrul de combustibil, curățați drumul de combustibil, reglați carburatorul
Presa de compresie este inadecvată	Piston, segment de piston, uzura cilindrilor	Înlocuiți pistonul, inelul de piston
Scurgere motor	Suprafața de îmbinare a cilindrului și a carterului prezintă scurgeri	Reparații
Sfârșitul a două scurgeri de arbore cotit	Garnitura este stricată	Înlocuiți garnitura
	Motorul se supraîncălzește Camera de ardere murdară cu depuneri uleioase	Evitați să îl folosiți pentru o perioadă lungă de timp, la viteză mare și sarcină mare. Curățați depunerile uleioase

3. FUNCȚIONAREA INSTABILĂ A MOTORULUI		
Problema	Cauza posibilă	Rezoluție
Există un sunet de ciocnire în motor	Piston, segment de piston, Uzura cilindrilor, Tijă de piston, uzura pistonului, Rulment de uzură a arborelui cotit	Înlocuiți pistonul, segmentul de piston Înlocuiți știftul de piston, pistonul Înlocuiți rulmentul
Se aude un sunet metalic de ciocnire	Motorul se supraîncălzește Cameră de ardere murdară cu depuneri uleioase Benzina marcată este nepotrivită	
Întreruperea aprinderii motorului	Există apă în combustibil. Distanța dintre scânteii este greșită. Distanța dintre bobine este greșită.	Reglați combustibilul Reglați distanța dintre scânteii 0,6-0,7mm Reglați distanța dintre bobine 0,3-0,4mm

4. MOTORUL S-A OPRIT BRUSC	
Cauza posibilă	Rezoluție
Combustibilul a fost epuizat Bujie de aprindere murdară cu depuneri uleioase și scurtcircuit Căderea firului de înaltă tensiune	Adăugați combustibil Curățați depunerile uleioase Conectați-vă

EL

Τα μηχανήματα έχουν κατασκευαστεί με αυστηρά πρότυπα που έχει θέσει η εταιρεία και συνάδουν με τα ευρωπαϊκά πρότυπα ποιότητας. Για τα βενζινοκίνητα και πετρελαιοκίνητα μηχανήματα παρέχεται περίοδος εγγύησης 24 μηνών για ερασιτεχνική χρήση και 12 μηνών για επαγγελματική χρήση. Η ισχύς της εγγύησης ξεκινά από την ημερομηνία αγοράς του προϊόντος. Αποδεικτικό του δικαιώματος της εγγύησης αποτελεί το παραστατικό αγοράς του μηχανήματος (απόδειξη λιανικής ή τιμολόγιο). Σε καμία περίπτωση η εταιρεία δεν καλύπτει τη σχετική δαπάνη ανταλλακτικών και εργασίας εάν και εφόσον δε συνοδεύεται από αντίγραφο του παραστατικού. Σε περίπτωση που η επισκευή πρέπει να γίνει στο service μας η δαπάνη μεταφοράς (από και προς) βαρύνει εξ' ολοκλήρου τον αποστολέα. Τα μηχανήματα αποστέλλονται για την επισκευή τους στην εταιρεία ή σε εξουσιοδοτημένο συνεργείο με τον ενδεδειγμένο τρόπο και μέσο μεταφοράς.

ΕΞΑΙΡΕΣΕΙΣ ΚΑΙ ΠΕΡΙΟΡΙΣΜΟΙ ΤΗΣ ΕΓΓΥΗΣΗΣ:

- 1) Εξαρτήματα που φθείρονται φυσιολογικά από τη χρήση τους (λάμα, αλυσίδα, μαινέζα, μπουζί, χειρόμυζα κ.λπ.).
- 2) Μηχανήματα που έχουν υποστεί ζημιές από τη μη συμμόρφωση με τις οδηγίες του κατασκευαστή.
- 3) Μηχανήματα με ελλιπή συντήρηση ή φροντίδα.
- 4) Χρήση μη ενδεδειγμένων εξαρτημάτων/αναλωσίμων.
- 5) Μηχανήματα που έχουν δοθεί χωρίς επιβάρυνση.
- 6) Βλάβη από αποθήκευση του μηχανήματος με καύσιμο.
- 7) Βλάβη που προήλθε από λανθασμένη συναρμολόγηση του μηχανήματος.
- 8) Βλάβη που προέρχεται από λάθος μίξη καυσίμου με λάδι μηχανής.
- 9) Βλάβη που οφείλεται σε κακής ποιότητας καύσιμο ή λιπαντικό.
- 10) Βλάβη από πλημμελή καθαρισμό του μηχανήματος.
- 11) Μηχανήματα που έχουν υποστεί τροποποιήσεις – αλλαγές ή έχουν ανοιχτεί από μη εξουσιοδοτημένο συνεργείο.
- 12) Μηχανήματα που χρησιμοποιούνται για ενοίκιαση.

Η εγγύηση καλύπτει αποκλειστικά τη δωρεάν αντικατάσταση του εξαρτήματος που έχει κατασκευαστικό ελάττωμα ή αστοχία υλικού. Σε περίπτωση έλλειψης ανταλλακτικού η εταιρεία διατηρεί το δικαίωμα αντικατάστασης του μηχανήματος με άλλο αντίστοιχο μοντέλο. Μετά τη διεκπεραίωση εγγύησης δεν επιμηκύνεται ούτε ανανεώνεται ο χρόνος εγγύησης του εργαλείου. Αντικατάσταση ανταλλακτικού με χρήση επισκευής, καλύπτεται από 1 χρόνο εγγύηση καλής λειτουργίας, με προϋπόθεση την τήρηση των όρων εγγύησης. Τα ανταλλακτικά ή τα μηχανήματα τα οποία αντικαθίστανται παραμένουν στην κατοχή της εταιρείας μας. Άλλες απαιτήσεις, εκτός από αυτές που αναφέρονται σε αυτό το έντυπο εγγύησης επισκευής των μηχανημάτων, δεν ισχύουν. Για αυτήν την εγγύηση ισχύει το ελληνικό Δίκαιο.

EN

The machinery have been manufactured according to strict standards set by our company, which are aligned with the respective european quality standards. The diesel and gasoline powered machines are provided with a warranty period of 24 months for non-professional use and 12 months for professional use. The warranty is valid from the date of purchase of the product. Proof of the warranty right is the purchase document of the machine (retail receipt or invoice). Under no circumstances shall the company cover the relevant cost of spare parts and respective required working hours unless a copy of the purchase document is presented. In case the repair has to be done by our service department the cost of transportation (to and from) is entirely borne by the sender (client). The said machines must be sent for repair to the company or to an authorized workshop in the appropriate way and means of transport.

WARRANTY EXEMPTIONS AND RESTRICTIONS:

- 1) Spare parts that wear out naturally as a consequence of being used (blade, chain, recoil starter, spark plug, trimmer line etc.).
- 2) Machinery damaged as a result of non-compliance with the instructions of the manufacturer.
- 3) Machinery poorly maintained or taken care of.
- 4) Use of improper spare parts or accessories.
- 5) Machinery given to third entities free of charge.
- 6) Storing the machine with fuel.
- 7) Damage as a result of mistaken assembly.
- 8) Damage as a result of mixing of fuel with machine oil by mistake.
- 9) Damage as a result of poor quality of fuel or lubricant.
- 10) Damage as a result of not cleaning the generator as required.
- 11) Equipment that has been modified or disassembled by unauthorized personnel.
- 12) Equipment used for rent.

The warranty covers only the free of charge replacement of the component that presents a manufacturing defect or material failure. In case of lack of a specific spare part the company reserves the right to replace the machine with another of the same kind. After all warranty procedures have been concluded, the warranty period of the machine shall not be extended or renewed. Replacement of a spare part with repair charge is covered by a 1 year warranty of good operation, subject to compliance with the warranty terms. The spare parts or machinery that are replaced remain in the possession of our company. Requirements, other than those mentioned in this warranty form, regarding repairing a machine or damage thereof, do not apply. Greek law and relative regulations apply to this warranty.

FR

Les machines ont été fabriquées selon les normes strictes établies par notre société et se sont alignées sur les normes de qualité européennes respectives. Les machines à moteur diesel et à essence sont fournies avec une période de garantie de 24 mois pour un usage non professionnel et 12 mois pour une utilisation professionnelle. La garantie est valable à partir de la date d'achat du produit. La preuve du droit à la garantie est le document d'achat de la machine (ticket de caisse ou facture). En aucun cas, la société ne couvrira le coût des pièces de rechange et des heures de travail nécessaires si une copie du document d'achat n'est pas présentée. Si la réparation doit être effectuée par notre service après-vente, les frais de transport (aller et retour) sont entièrement à la charge de l'expéditeur (client). Les machines doivent être envoyées pour réparation à l'entreprise ou à un atelier agréé de la manière et avec le moyen de transport appropriés.

EXEMPTIONS ET RESTRICTIONS DE GARANTIE :

- 1) Les pièces de rechange qui s'usent naturellement suite à leur utilisation (lame, chaîne, démarreur à rappel, bougie d'allumage, fil de coupe etc).
- 2) Machines endommagées à la suite du non-respect des instructions du fabricant.
- 3) Machines mal entretenues ou mal soignées.
- 4) Utilisation de pièces de rechange ou d'accessoires inadaptés.
- 5) Machines données à des tiers à titre gratuit.
- 6) Stockage de la machine avec du carburant.
- 7) Dommages résultant d'un montage erroné.
- 8) Dommages résultant du mélange par erreur du carburant avec l'huile de la machine.
- 9) Dommages résultant d'une mauvaise qualité du carburant ou du lubrifiant.
- 10) Dommages résultant d'un nettoyage insuffisant du générateur.
- 11) Équipement qui a été modifié ou démonté par du personnel non autorisé.
- 12) Matériel utilisé pour la location.

La garantie couvre uniquement le remplacement gratuit du composant qui présente un défaut de fabrication ou une défaillance matérielle. En cas d'absence d'une pièce de rechange spécifique, l'entreprise se réserve le droit de remplacer la machine par une autre du même type. Après la conclusion de toutes les procédures de garantie, la période de garantie de la machine ne sera pas prolongée ou renouvelée. Le remplacement d'une pièce détachée avec frais de réparation est couvert par une garantie de bon fonctionnement de 1 an, sous réserve du respect des conditions de garantie. Les pièces de rechange ou les machines remplacées restent en possession de notre société. Les exigences, autres que celles mentionnées dans ce formulaire de garantie, concernant la réparation d'une machine ou de ses dommages, ne sont pas applicables. La loi grecque et ses règlements s'appliquent à cette garantie.

IT

Le macchine sono state fabbricate secondo le norme rigorose stabilite dalla nostra azienda, che sono allineate con i rispettivi standard di qualità europei. Le macchine con motore diesel e benzina sono fornite con un periodo di garanzia di 24 mesi per uso non professionale e 12 mesi per uso professionale. La garanzia è valida dalla data di acquisto del prodotto. La prova del diritto di garanzia è il documento di acquisto della macchina (scontrino o fattura). In nessun caso l'azienda coprirà il relativo costo dei pezzi di ricambio e delle rispettive ore di lavoro necessarie se non viene presentata una copia del documento di acquisto. Nel caso in cui la riparazione debba essere effettuata dal nostro servizio di assistenza, il costo del trasporto (da e per) è interamente a carico del mittente (cliente). Le suddette macchine devono essere inviate per la riparazione all'azienda o ad un'officina autorizzata nel modo e nel mezzo di trasporto appropriato.

ESENZIONI E RESTRIZIONI DELLA GARANZIA:

- 1) Pezzi di ricambio che si usurano naturalmente a causa dell'uso (lama, catena, auto avvolgente, candela, filo del trimmer, ecc.)
- 2) Macchine danneggiate a causa del mancato rispetto delle istruzioni del fabbricante.
- 3) Macchina sottoposta a scarsa manutenzione o cura.
- 4) Utilizzo di pezzi di ricambio o accessori inadeguati.
- 5) Macchina ceduta a terzi a titolo gratuito.
- 6) Conservazione della macchina con carburante.
- 7) Danni causati da un montaggio errato.
- 8) Danni dovuti alla miscelazione per errore del carburante con l'olio della macchina.
- 9) Danni causati dalla cattiva qualità del carburante o del lubrificante.
- 10) Danni causati dalla mancata pulizia del generatore come richiesto.
- 11) Apparecchiature che sono state modificate o smontate da personale non autorizzato.
- 12) Apparecchiature utilizzate per il noleggio.

La garanzia copre solo la sostituzione gratuita del componente che presenta un difetto di fabbricazione o di materiale. In caso di mancanza di un pezzo di ricambio specifico, l'azienda si riserva il diritto di sostituire la macchina con un'altra dello stesso tipo. Una volta concluse tutte le procedure di garanzia, il periodo di garanzia della macchina non potrà essere esteso o rinnovato. La sostituzione di un pezzo di ricambio con spese di riparazione è coperta da una garanzia di 1 anno di buon funzionamento, a condizione che vengano rispettati i termini della garanzia. I pezzi di ricambio o le macchine sostituite rimangono in possesso della nostra società. I requisiti, diversi da quelli menzionati in questo modulo di garanzia, riguardanti la riparazione di una macchina o il suo danneggiamento, non sono applicabili. La legge greca e i relativi regolamenti si applicano a questa garanzia.

AL

Makineritë janë prodhuar sipas standardeve strikte të vendosura nga kompania jonë, të cilat janë në përputhje me standardet përkatëse të cilësisë evropiane. Makinat me naftë dhe benzinë janë të pajisura me një periudhë garancie prej 24 muajsh për përdorim jo profesional dhe 12 muaj për përdorim profesional. Garancia është e vlefshme nga data e blerjes së produktit. Prova e së drejtës së garancisë është dokumenti i blerjes së makinës (faturë ose faturë me pakicë). Në asnjë rrethanë ndërmarrja nuk mbulon koston përkatëse të pjesëve të këmbimit dhe orarin përkatës të kërkuar të punës, përveç kur është paraqitur një kopje e dokumentit të blerjes. Në rast se riparimi duhet të bëhet nga departamenti ynë i shërbimit kostoja e transportit (për dhe nga) është tërësisht e mbajtur nga dërguesi (klienti). Makinat e thëna duhet të dërgohen për riparim në ndërmarrje ose në një punishte të autorizuar në mënyrën dhe mjetet e duhura të transportit.

PËRJASHTIMET DHE KUFIZIMET E GARANCISË:

- 1) Pjesët rezervë që përdoren në mënyrë natyrale si pasojë e të qënit e përdorur (tehu, zinxhiri, tingëllimi, prizë e shkëndijës, vija e trimerit etj.).
- 2) Makineritë e dëmtuara si rezultat i mosrespektimit të udhëzimeve të prodhuesit.
- 3) Makineritë e mirëmbajtura keq ose të kujdesura për të.
- 4) Përdorimi i pjesëve të papërshtatshme të këmbimit ose aksesoreve.
- 5) Makineritë që u jepen enteve të treta pa pagesë.
- 6) Magazinimi i makinës me karburant.
- 7) Dëmtimi si rezultat i mbledhjes së gabuar.
- 8) Dëmtimi si pasojë e përzjerjes së karburantit me vajin e makinës gabimisht.
- 9) Dëmtimi si rezultat i cilësisë së dobët të karburantit ose lubrifikantit.
- 10) Dëmtimi si pasojë e mospastrimit të gjeneratorit sipas nevojës.
- 11) Pajisje që janë modifi kuar ose çmontuar nga personel i paautorizuar.
- 12) Pajisje që përdoren me qira.

Garancia mbulon vetëm zëvendësimin pa pagesë të komponentit që paraqet një defekt prodhues ose dështim material. Në rast të mungesës së një pjese rezervë specifike kompania rezervon të drejtën për të zëvendësuar makinën me një tjetër të të njëjtit lloj. Pasi të jenë përfunduar të gjitha procedurat e garancisë, periudha e garancisë së makinës nuk do të zgjatet ose të rinovohet. Zëvendësimi i një pjese rezervë me pagesë riparimi mbulohet nga një garanci 1 vjeçare e një operacioni të mirë, subjekt i përputhjes me kushtet e garancisë. Pjesët rezervë ose makineritë që zëvendësohen mbeten në zotërim të kompanisë sonë. Kërkesat, përveç atyre të përmendura në këtë formë garancie, në lidhje me riparimin e një makine ose dëmtimin e saj, nuk zbatohen. Ligji grek dhe rregullat relative zbatohen për këtë garancia.

SRB

Mašine su proizvedene po strogim standardima koje je postavila naša kompanija, a koji su usklađeni sa odgovarajućim evropskim standardima kvaliteta. Mašinama na dizel i benzin obezbeđen je garantni rok od 24 meseca za neprogllašavanje i 12 meseca za profesionalnu upotrebu. Garancija važi od dana kupovine proizvoda. Dokaz o pravnu garancije je dokument o nabavci mašine (prijemnica u maloprodaji ili faktura). Ni pod kojim uslovima preduzeće neće pokriti relevantne troškove rezervnih delova i odgovarajuće potrebno radno vreme ukoliko nije predstavljena kopija dokumenta o nabavci. U slučaju da popravku mora da obavni naše odeljenje servisa troškovi transporta (do i od) u potpunosti snose pošiljaoca (klijenta). Rečeno mašine moraju biti poslate na popravku u preduzeće ili u ovlašćenu radionicu na odgovarajući način i način transporta.

GARANTNA IZUZEĆA I OGRANIČENJA:

- 1) Rezervni delovi koji se istroše prirodnom putem kao posledica upotrebe (sečivo, lanac, trzaj startera, svećica, linija trimera itd.).
- 2) Mašinerije oštećene kao rezultat nepoštovanja uputstava proizvođača.
- 3) Mašinerija loše održavana ili zbrinuta.
- 4) Upotreba nepravilnih rezervnih delova ili pribora.
- 5) Mašinerija data trećim entitetima besplatno.
- 6) Skladištenje mašine gorivom.
- 7) Šteta kao rezultat greške u montaži.
- 8) Šteta kao posledica mešanja goriva sa mašinskim uljem greškom.
- 9) Šteta kao posledica lošeg kvaliteta goriva ili lubrikanta.
- 10) Šteta kao posledica neisceljenja generatora po potrebi.
- 11) Oprema koju je neovlašćeno osoblje modifikovalo ili rastavalo.
- 12) Oprema koja se koristi za iznajmljivanje.

Garancija pokriva samo besplatnu zamenu komponente koja predstavlja nedostatak proizvodnje ili kvar materijala. U slučaju nedostatka određenog rezervnog dela preduzeće zadržava pravo da zameni mašinu drugom istom vrstom. Nakon zaključenja svih garantnog postupka, garantni rok mašine neće biti produžen niti obnovljen. Rezervni delovi ili mašinerije koje se zamenjuju ostaju u posedu naše firme. Zamena rezervnog dela naknadom za popravku pokrivena je jednogodišnjom garancijom dobrog rada, koja podleže poštovanju uslova garancije. Zahtevi, osim onih koji su pomenuti u ovom garantnog obrascu, u vezi sa popravkom mašine ili oštećenjem, ne primenjuju se. Grčki zakon i relativni propisi odnose se na ovu garanciju.

EN

WARRANTY

This appliance is a quality product. It was designed in compliance with current technical standards and made carefully using normal, good quality materials. The warranty period is 24 months for non-professional use and 12 months for professional use and commences on the date of purchase, which can be verified by the receipt, invoice or delivery note. During this warranty period all functional errors, which, despite the careful treatment described in our operating manual, are verifiably due to material flaws, will be rectified by our after-sales service staff. The warranty takes the form that defective parts will be repaired or replaced with perfect parts free of charge at our discretion. Replaced parts will become our property. Repair work or the replacement of individual parts will not extend the warranty period nor will it result in a new warranty period being commenced for the appliance. No separate warranty period will commence for spare parts that may be used. We cannot offer a warranty for damage and defects on appliances or their parts caused by the use of excessive force, improper treatment and servicing. This also applies for failures to comply with the operating manual and the installation or spare and accessory parts that are not included in our range of products. In the event of interference with or modifications to the appliance by unauthorized persons, the warranty will be rendered void. Damages that are attributable to improper handling, over loading, or natural wear and tear are excluded from the guarantee. Damages caused by the manufacturer or by a material defect will be corrected at no charge by repair or by providing spare parts. The prerequisite is that the equipment is handed over assembled, and complete with the proof of sale and guarantee. For a guarantee claim, only use the original packaging. That way, we can guarantee quick and smooth guarantee processing. Please send us the appliances post-paid or request a Freeway sticker. Unfortunately we will be unable to accept appliances that are not postpaid. The warranty does not cover parts that are subject to natural wear and tear. If you wish to make a warranty claim, report faults or order spare parts or accessories, please contact the after-sales center: Subject to change without prior notice.

DE

GARANTIE

Dieses Gerät ist ein Qualitätsprodukt. Es wurde gemäß den aktuellen technischen Standards entworfen und sorgfältig mit normalen, hochwertigen Materialien hergestellt. Die Garantiezeit beträgt 24 Monate bei nicht-professioneller Nutzung und 12 Monate bei professioneller Nutzung und beginnt mit dem Kaufdatum, was anhand von Quittung, Rechnung oder Lieferschein überprüft werden kann. Während dieser Garantiezeit werden alle Funktionsfehler, die trotz der in unserer Bedienungsanleitung beschriebenen sorgfältigen Behandlung nachweislich auf Materialfehler zurückzuführen sind, von unseren Kundendienstmitarbeitern behoben. Die Garantie besteht in der Form, dass defekte Teile nach unserem Ermessen kostenlos repariert oder durch einwandfreie Teile ersetzt werden. Ersetzte Teile werden unser Eigentum. Reparaturarbeiten oder der Austausch einzelner Teile verlängern die Garantiezeit nicht und führen nicht zu einer neuen Garantiezeit für das Gerät. Für eventuell verbrauchte Ersatzteile beginnt keine gesonderte Gewährleistungsfrist. Wir können keine Garantie für Schäden und Mängel an Geräten oder deren Teilen geben, die durch übermäßige Gewaltanwendung, unsachgemäße Behandlung und Wartung verursacht wurden. Dies gilt auch für die Nichtbeachtung der Bedienungsanleitung und der Montage- oder Ersatz- und Zubehörteile, die nicht in unserem Sortiment enthalten sind. Bei Eingriffen in die Änderung durch unbefugte Personen am Gerät erlischt die Garantie. Schäden, die auf unsachgemäße Behandlung, Überlastung oder natürliche Abnutzung zurückzuführen sind, sind von der Garantie ausgeschlossen. Schäden, die vom Hersteller oder durch einen Materialfehler verursacht werden, werden durch Reparatur oder Ersatzteillieferung kostenlos behoben. Voraussetzung ist, dass das Gerät zusammen mit dem Verkaufsbeleg und der Garantie zusammengebaut übergeben wird. Verwenden Sie für einen Garantieanspruch nur die Originalverpackung. Auf diese Weise können wir eine schnelle und reibungslose Garantieabwicklung garantieren. Bitte schicken Sie uns die Geräte im Nachhinein oder fordern Sie einen Freeway-Aufkleber an. Geräte, die nicht nachbezahlt werden, können wir leider nicht akzeptieren. Die Garantie erstreckt sich nicht auf Teile, die einem natürlichen Verschleiß unterliegen. Wenn Sie einen Garantieanspruch geltend machen, Fehler melden oder Ersatzteile oder Zubehör bestellen möchten, wenden Sie sich bitte an das Kundendienstcenter: Änderungen vorbehalten.

FR

GARANTIE

Cet appareil est un produit de qualité. Il a été conçu conformément aux normes techniques en vigueur et fabriqué avec soin à l'aide de matériaux usuels et de qualité. La période de garantie est de 24 mois pour une utilisation non professionnelle et 12 mois pour une utilisation professionnelle et débute à la date d'achat. Elle peut être vérifiée sur le reçu, la facture ou le bon de livraison. Pendant cette période de garantie, toutes les erreurs de fonctionnement qui, malgré le traitement minutieux décrit dans notre manuel d'utilisation, sont dues à des défauts matériels, seront corrigées par notre service après-vente. La garantie prend la forme que les pièces défectueuses seront réparées ou remplacées par des pièces parfaites gratuitement à notre discrétion. Les pièces remplacées deviendront notre propriété. Les travaux de réparation ou le remplacement de pièces individuelles ne prolongeront pas la période de garantie et n'entraîneront pas le début d'une nouvelle période de garantie pour l'appareil. Aucune période de garantie séparée ne commencera pour les pièces de rechange susceptibles d'être utilisées. Nous ne pouvons pas offrir de garantie pour les dommages et les défauts des appareils ou de leurs pièces causés par l'utilisation d'une force excessive, un traitement ou un entretien inapproprié. Ceci s'applique également aux cas de non-respect du manuel d'utilisation et de l'installation ou des pièces détachées et accessoires non compris dans notre gamme de produits. En cas d'interférence avec des modifications apportées à l'appareil par des personnes non autorisées, la garantie sera annulée. Les dommages résultant d'une mauvaise manipulation, d'un chargement excessif ou d'une usure naturelle sont exclus de la garantie. Les dommages causés par le fabricant ou par un défaut matériel seront corrigés gratuitement par la réparation ou par la fourniture de pièces de rechange. La condition préalable est que le matériel soit remis assemblé et accompagné de la preuve de vente et de la garantie. Pour une demande de garantie, utilisez uniquement l'emballage d'origine. De cette manière, nous pouvons garantir un traitement rapide et sans heurts des garanties. S'il vous plaît envoyez-nous les appareils post-payés ou demandez un autocollant Freeway. Malheureusement, nous ne pourrions pas accepter les appareils non post-payés. La garantie ne couvre pas les pièces soumises à une usure naturelle. Si vous souhaitez faire une demande de garantie, signaler un défaut ou commander des pièces de rechange ou des accessoires, veuillez contacter le service après-vente: Sujet à modification sans préavis.

ESP

GARANTÍA

Este aparato es un producto de calidad. Fue diseñado de acuerdo con las normas técnicas actuales y se hizo con cuidado utilizando materiales normales y de buena calidad. El período de garantía es de 24 meses para uso no profesional y de 12 meses para uso profesional y comienza en la fecha de compra, que puede verificarse mediante el recibo, la factura o la nota de entrega. Durante este período de garantía, todos los errores funcionales que, a pesar del tratamiento cuidadoso que se describen en nuestro manual de operación, son verificables debido a fallas materiales, serán corregidos por nuestro personal de servicio postventa. La garantía adquiere la forma de que las piezas defectuosas se repararán o reemplazarán con piezas perfectas de forma gratuita a nuestra discreción. Las partes reemplazadas se convertirán en nuestra propiedad. Los trabajos de reparación o el reemplazo de piezas individuales no ampliarán el período de garantía, no dará lugar a que se comience un nuevo período de garantía para el aparato. No se iniciará ningún período de garantía por separado para las piezas de repuesto que puedan ser utilizadas. No podemos ofrecer una garantía por daños y defectos en los aparatos o sus partes causados por el uso excesivo de la fuerza, el tratamiento y el servicio incorrectos. Esto también se aplica a las fallas en el cumplimiento del manual de operación y la instalación o piezas de repuesto y accesorios que no están incluidos en nuestra gama de productos. En caso de interferencia con modificaciones al aparato por parte de personas no autorizadas, la garantía quedará anulada. Los daños que son atribuibles a un manejo inadecuado, sobrecarga o desgaste natural están excluidos de la garantía. Los daños causados por el fabricante o por un defecto de material se corregirán sin costo alguno por reparación o proporcionando piezas de repuesto. El requisito previo es que el equipo se entregue ensamblado y se complete con el comprobante de venta y garantía. Para una reclamación de garantía, utilice únicamente el embalaje original. De esta manera, podemos garantizar un rápido y suave procesamiento de garantías. Por favor, envíenos los electrodomésticos con pospago o solicite una etiqueta de Freeway. Lamentablemente, no podremos aceptar aparatos que no sean de pospago. La garantía no cubre las piezas que están sujetas a desgaste natural. Si desea realizar un reclamo de garantía, informar fallas o solicitar piezas de repuesto o accesorios, comuníquese con el centro de postventa: Sujeto a cambios sin previo aviso.

IT

GARANZIA

Questo apparecchio è un prodotto di qualità. È stato progettato in conformità con le attuali norme tecniche e realizzato con attenzione utilizzando materiali normali di buona qualità. Il periodo di garanzia è di 24 mesi per uso non professionale e di 12 mesi per uso professionale e decorre dalla data di acquisto, che può essere verificata tramite ricevuta, fattura o bolla di consegna. Durante questo periodo di garanzia tutti gli errori funzionali, che, nonostante l'accurato trattamento descritto nel nostro manuale operativo, sono verificabili a causa di difetti dei materiali, verranno risolti dal nostro personale di assistenza post-vendita. La garanzia assume la forma che le parti difettose saranno riparate o sostituite con parti perfette gratuitamente a nostra discrezione. Le parti sostituite diventeranno di nostra proprietà. I lavori di riparazione o la sostituzione di singole parti non prolungheranno il periodo di garanzia, poiché non si verificherà un nuovo periodo di garanzia per l'apparecchio. Non inizierà alcun periodo di garanzia separato per i pezzi di ricambio che possono essere utilizzati. Non possiamo offrire una garanzia per danni e difetti su apparecchi o loro parti causati dall'uso di forza eccessiva, trattamento e manutenzione inadeguati. Ciò vale anche per il mancato rispetto del manuale operativo e delle parti di installazione o di ricambio e accessori non inclusi nella nostra gamma di prodotti. In caso di interferenza con modifiche all'apparecchio da parte di persone non autorizzate, la garanzia sarà invalidata. Sono esclusi dalla garanzia i danni riconducibili a uso improprio, sovraccarico o usura naturale. I danni causati dal produttore o da un difetto materiale verranno corretti gratuitamente mediante riparazione o fornitura di pezzi di ricambio. Il presupposto è che l'attrezzatura sia consegnata assemblata e completa con la prova di vendita e garanzia. Per una richiesta di garanzia, utilizzare solo la confezione originale. In questo modo, possiamo garantire un'elaborazione della garanzia rapida e agevole. Vi preghiamo di inviarci gli elettrodomestici post-pagamento o richiedere un adesivo Freeway. Purtroppo non saremo in grado di accettare apparecchi che non sono postpagati. La garanzia non copre parti soggette a usura naturale. Se si desidera presentare una richiesta di intervento in garanzia, segnalare guasti o ordinare pezzi di ricambio o accessori, contattare il centro assistenza: soggetto a modifiche senza preavviso.

SLO

GARANCIJA

Ta aprava je kakovosten izdelek. Zasnovan je bil v skladu z veljavnimi tehničnimi standardi in skrbno izdelan z običajnimi, kakovostnimi materiali. Garancijsko obdobje je 24 mesecev za neprofesionalno uporabo in 12 mesecev za profesionalno uporabo in se začne na dan nakupa, ki ga je mogoče preveriti s potrdilom o prejemu, računom ali dobavnico. V času garancijskega roka bodo vse funkcionalne napake, ki so kljub skrbni obdelavi, opisani v naših navodilih za uporabo, preverljive zaradi materialnih napak, odpravile naše servisno osebje. Garancija prevzame obliko, da bodo okvarjeni deli po lastni presoji brezplačno popravljivi ali zamenjani z brezhibnimi deli. Zamenjani deli bodo postali naša last. Popravila ali zamenjava posameznih delov ne podaljšujejo garancijskega roka, dokler ne začne veljati nova garancijska doba za napravo. Za rezervne dele, ki se lahko pojavijo, se ne bo začelo ločeno garancijsko obdobje. Ne moremo ponuditi garancije za poškodbe in napake na napravah ali njihovih delih zaradi uporabe prekomerne sile, nepravilne obdelave in servisiranja. To velja tudi za neupoštevanje navodil za uporabo in namestitve ali rezervnih delov in dodatkov, ki niso vključeni v našo paleto izdelkov. V primeru motenj v napravi s strani nepooblaščenih oseb, se garancija razveljavi. Poškodbe, ki so posledica nepravilnega ravnanja, obremenitve ali naravne obrabe, so izključene iz garancije. Poškodbe, ki jih povzroči proizvajalec ali materialna napaka, se bodo popravile ali popravile z zagotavljanjem rezervnih delov. Predpogoj je, da se oprema preda sestavljena in skupaj z dokazilom o prodaji in garancijo. Za garancijski zahtevek uporabite samo originalno embalažo. Tako lahko zagotovimo hitro in gladko obdelavo garancij. Prosimo, pošljite nam naprave po plačilu ali zahtevajte nalepko za Freeway. Na žalost ne bomo mogli sprejeti naprav, ki niso postpaid. Garancija ne zajema delov, ki so predmet naravne obrabe. Če želite vložiti zahtevek za garancijo, prijaviti napake ali naročiti nadomestne dele ali dodatno opremo, se obrnite na spodnji prodajni center: Pridržujemo si pravico do sprememb brez predhodnega obvestila.

MLT

GARANYIJA

Dan l-apparat huwa prodott ta 'kwalità. Kienet imfassla f'konformità mal-istandards tekniċi attwali u saret b'attenzjoni bl-użu ta 'materjali normali u ta' kwalità tajba. Il-perjodu tal-garanzija huwa ta '24 xahar għal użu mhux professjonali u 12-il xahar għall-użu professjonali u jibda fid-data tax-xiri, li jista' jiġi vverifikat bir-riċevuta, fattura jew nota tal-kunsinna. Matul dan il perjodu ta 'garanzija l-iżbalji funzjonali kollha, li, minkejja t-trattament bir-reqq deskritt fil-manwal operattiv tagħna, huma verifikabbli minħabba difetti materjali, se jiġu kkoreġuti mill-istaff tagħna tas-servizz ta' wara l-bejgħ. Il-garanzija tiegħu l-forma li partijiet difettużi se jissewewew jew jiġu sostitwiti bi partijiet perfetti bla ħlas fid-diskreżjoni tagħna. Partijiet mibdula jsiru proprjetà tagħna. Ix-xogħol ta 'tiswija jew is-sostituzzjoni ta' partijiet individwali ma jestendux il-perjodu ta 'garanzija mhux se jirriżulta f'li jibda perjodu ġdid ta' garanzija għall-apparat. Ma jibda l-ebda perjodu ta 'garanzija separat għal spare parts li jistgħu jiġu ted. Ma nistgħux noffru garanzija għal ħsara u difetti fuq l-apparat jew il-partijiet tagħhom ikkawżati mill-użu ta 'forza eċċessiva, trattament mhux xieraq u manutenzjoni. Dan japplika wkoll għal nuqqasijiet ta 'konformità mal-manwal tat-thaddim u l-installazzjoni jew partijiet ta' rikambju u aċċessorji li mhumiex inkluzi fil-firxa ta 'prodotti tagħna. Fil-każ ta 'interferenza ma' modifiki fl-apparat minn persuni mhux awtorizzati, il-garanzija ssir nulla. Ħsarat li huma attribwiti għal immaniġġjar hażin, tagħbija żejda, jew xedd u kedd naturali huma esklużi mill-garanzija. Danni kkawżati mill-manifattur jew minn difett materjali se jiġu kkoreġuti mingħajr ħlas permezz ta 'tiswija jew billi jiġu pprovduti spare parts. Il-pre-rekwiżit huwa li t-tagħmir jiġi mgħoddi immuntat, u komplut bil-prova tal-bejgħ u l-garanzija. Għal talba ta 'garanzija, uża biss l-imballaġġ originali. B'dan il-mod, nistgħu niggarantixxu proċessar ta 'garanzija malajr u bla xkiel. Jekk jogħġbok ibgħatilna l-appliances post-paid jew itlob stiker tal-Freeway. Sfortunatament ma nkunux nistgħu naċċettaw apparat li ma jithallasx wara. Il-garanzija ma tkoprix partijiet li huma soġġetti għal ilbies u kedd naturali. Jekk tixtieq tagħmel talba għall-garanzija, irrapporta ħsarat jew tordna spare parts jew aċċessorji, jekk jogħġbok ikkontattat ja ċ-ċentru ta'wara l-bejgħ: Soġġett għal bidla mingħajr avviż minn qabel.

SK

ZÁRUKA

Tento spotřebič je kvalitní výrobek. Bol navrhnutý v súlade s platnými technickými normami a opatrne používal bežné a kvalitné materiály. Záručná doba je 24 mesiacov na neprofesionálne použitie a 12 mesiacov na profesionálne použitie a začína plynúť dátumom nákupu, ktorý je možné overiť potvrdením, faktúrou alebo dodacím listom. Počas tejto záručnej lehoty všetky funkčné chyby, ktoré napriek starostlivej úprave popísanej v našom návode na obsluhu sú overiteľné z dôvodu materiálnych nedostatkov, opravia naši pracovníci popredajného servisu. Záruka má formu, že vadné časti budú opravené alebo nahradené perfektnými dielmi bezplatne podľa nášho uváženia. Nahradené diely sa stanú našimi vlastnosťami. Opravné práce alebo výmena jednotlivých dielov predĺženie záručnej lehoty nevedie k vzniku novej záručnej lehoty pre spotrebič. Za náhradné diely, ktoré môžu byť dodané, sa nezačína samostatná záručná lehota. Nemôžeme ponúknuť záruku na poškodenie a poškodenie spotrebičov alebo ich častí spôsobené nadmernou silou, nesprávnou obsluhou a servisom. Platí to aj pre poruchy v súlade s návodom na obsluhu a inštaláciou alebo náhradnými dielmi a príslušenstvom, ktoré nie sú súčasťou našej ponuky. V prípade zásahu do modifikácie spotrebiča neoprávnenými osobami sa záruka stane neplatnou. Škody, ktoré sú spôsobené nesprávnou manipuláciou, nadmerným zaťažením alebo prirodzeným opotrebovaním, sú z záruky vylúčené. Škody spôsobené výrobcom alebo chybou materiálu budú opravené bezplatne opravou alebo poskytnutím náhradných dielov. Predpokladom je, že zariadenie je odovzdané a kompletné s dokladom o predaji a zárukou. Pokiaľ ide o nárok na záruku, použite iba pôvodný obal. Týmto spôsobom môžeme zaručiť rýchle a plynulé spracovanie záruky. Pošlite nám, prosím, spotrebiče, ktoré ste už zaplatili, alebo požiadajte o nálepku Freeway. Bohužiaľ nebudeme môcť prijať zariadenia, ktoré nie sú vyplatené. Záruka sa nevzťahuje na časti, ktoré sú vystavené prirodzenému opotrebovaniu. Ak chcete požiadať o záruku, oznámiť chyby alebo objednať náhradné diely alebo príslušenstvo, obráťte sa na nižšie uvedené stredisko popredajného servisu: Podliehajú zmenám bez predchádzajúceho upozornenia.

BG

ГАРАНЦИЯ

Този уред е качествен продукт. Той е проектиран в съответствие с действащите технически стандарти и е направен внимателно при използване на нормални, качествени материали. Гаранционният срок е 24 месеца за непрофесионално ползване и 12 месеца за професионална употреба започва да тече от датата на покупката, която може да бъде потвърдена с квитанция, фактура или документ за доставка. По време на този гаранционен период всички функционални грешки, които, въпреки внимателното третиране, описано в нашето ръководство за експлоатация, са проверими поради материални недостатъци, ще бъдат отстранени от нашия сервизен персонал. Гаранцията приема формата, в която дефектните части ще бъдат ремонтирани или заменени с перфектни части безплатно по наше усмотрение. Подменените части ще станат наша собственост. Ремонтните работи или подмяната на отделни части няма да удължат гаранционния срок, без това да доведе до започване на нов гаранционен период за уреда. За резервни части, които могат да бъдат поставени, няма да започне отделен гаранционен срок. Не можем да предложим гаранция за повреди и дефекти на уредите или техните части, причинени от използването на прекомерна сила, неправилно третиране и обслужване. Това важи и за неспазване на ръководството за експлоатация и инсталацията, както и резервни и допълнителни части, които не са включени в нашата гама от продукти. В случай на намеса в модификации на уреда от неупълномощени лица, гаранцията ще бъде премахната. Щети, които се дължат на неправилно боравене, натоварване или естествено износване, са изключени от гаранцията. Щети, причинени от производителя или от дефект на материала, ще бъдат поправени без заплащане чрез ремонт или чрез предоставяне на резервни части. Предпоставка е оборудването да се съблява и да се допълни с доказателство за продажба и гаранция. За гаранционна претенция използвайте само оригиналната опаковка. По този начин можем да гарантираме бърза и гладка обработка на гаранциите. Моля, изпратете ни уредите след плащане или заявете стикер на Freeway. За съжаление няма да можем да приемаме уреди, които не са с абонамент. Гаранцията не покрива части, които са обект на естествено износване. Ако желаете да направите гаранционна претенция, да съобщите за неизправности или да поръчате резервни части или аксесоари, моля свържете се с центъра за поддръжка: Подлежи на промяна без предизвестие.

RO

ГARANȚIE

Acest aparat este un produs de calitate. A fost proiectat în conformitate cu standardele tehnice actuale și a făcut cu atenție materiale normale, de bună calitate. Perioada de garanție este de 24 de luni pentru uz neprofesionist și de 12 luni pentru uz profesional și începe la data cumpărării, care poate fi verificată prin chitanță, factură sau buletin de livrare. În timpul acestei perioade de garanție, toate erorile funcționale, care, în ciuda tratamentului atent descris în manualul nostru de utilizare, sunt verifiabile din cauza defectelor materiale, vor fi rectificate de către personalul nostru de service post-vânzare. Garanția ia forma faptului că piesele defecte vor fi reparate sau înlocuite cu piese perfecte gratuit, la discreția noastră. Piesele înlocuite vor deveni proprietatea noastră. Lucrările de reparații sau înlocuirea pieselor individuale nu vor prelungi perioada de garanție, deoarece nu vor duce la începerea unei noi perioade de garanție pentru aparat. Nu se va începe nici o perioadă de garanție separată pentru piesele de schimb care pot fi incluse. Nu putem oferi o garanție pentru defecțiunile și defectele aparatelor sau ale pieselor acestora cauzate de utilizarea forței excesive, tratamentul necorespunzător și întreținerea. Acest lucru se aplică și în caz de nerespectare a manualului de utilizare și a pieselor de instalare sau de rezervă și accesoriilor care nu sunt incluse în gama noastră de produse. În caz de interferență cu mod-uri care aduc aparatului de către persoane neautorizate, garanția va fi anulată. Daunele care pot fi atribuite manipulării necorespunzătoare, supraîncălzirii sau uzurii naturale sunt excluse din garanție. Deteriorările cauzate de producător sau de un defect material vor fi corectate gratuit, prin reparații sau prin furnizarea de piese de schimb. Condiția prealabilă este ca echipamentul să fi predat în asamblare și să fi completat cu dovada vânzării și a garanției. Pentru o cerere de garanție, utilizați numai ambalajul original. În acest fel, putem garanta pro-cesarea rapidă și fără probleme a garanției. Trimiteți-ne aparatele post-plăți sau solicitați un autocolant Freeway. Din păcate, nu vom putea accepta dispozitive care nu sunt plătiți postpaid. Garanția nu acoperă piese care sunt supuse uzurii naturale. Dacă doriți să solicitați o garanție, să semnalați defecțiuni sau să comandați piese de schimb sau accesorii, vă rugăm să contactați centrul de asistență tehnică: Pot fi modificate fără o noti-ficare prealabilă.

NMK

ГАРАНЦИЈА

Овој уред е квалитетен производ. Дизајниран е во согласност со тековните технички стандарти и направен е внимателно со употреба на нормални, квалитетни материјали. Гарантниот период е 24 месеци за непрофесионална употреба и 12 месеци за професионална употреба и започнува на датумот на купување, што може да се потврди со потврда, фактура или испратница. За време на овој гарантен период, сите функционални грешки, кои, и покрај внимателниот третман опишан во нашето упатство за работа, се проверливи поради материјални недостатоци, ќе бидат поправени од нашиот персонал по продажбата. Гаранцијата има форма дека неисправните делови ќе бидат поправени или заменети со совршени делови бесплатно по наша дискреција. Заменетите делови ќе станат наша сопственост. Работата за поправка или замената на поединечни делови нема да го продолжи гарантниот период и нема да резултира со започнување на нов гарантен период за апаратот. Нема да започне посебен гарантен период за резервните делови што може да се тераат. Не можеме да понудиме гаранција за оштетувања и дефекти на апаратите или нивните делови предизвикани од употреба на прекумерна сила, несоодветен третман и сервисирање. Ова исто така важи и за неусогласеност со упатството за работа и инсталацијата или резервните и дополнителните делови кои не се вклучени во нашата палета на производи. Во случај на мешање на модификации на апаратот од страна на неовластени лица, гаранцијата ќе се поништи. Штетите што се припишуваат на неправилно ракување, прекумерно оптоварување или природно абеење се исклучени од гаранцијата. Штетите предизвикани од производителот или од материјален дефект ќе се коригираат бесплатно со поправка или со обезбедување резервни делови. Предуслов е опремата да биде предадена склопена, и комплетна со доказ за продажба и гаранција. За гаранција, користете го само оригиналното пакување. На тој начин, можеме да гарантираме брза и непречена обработка на гаранциите. Ве молиме испратете ни ги апаратите пост-пејд или побарајте налепница за автопат. За жал, нема да можеме да прифатиме апарати што не се постпејд. Гаранцијата не опфаќа делови кои се предмет на природно абеење и кинење. Доколку сакате да поднесете барање за гаранција, да пријавите дефекти или да нарачате резервни делови или додатоци, ве молиме контактирајте го постпродажниот центар подолу: Може да се промени без претходна најава.

HUN

ГARANCIA

Ez a készülék minőségi termék. Úgy tervezték, hogy megfeleljen a jelenlegi műszaki szabványoknak, és gondosan, normál, jó minőségű anyagokkal készült. A jótállási idő nem professzionális használat esetén 24 hónap, szakmai használat esetén 12 hónap, és a vásárlás napján kezdődik, amelyet a kézhezvétellel, a számla vagy a kézbesítési értesítés igazolhat. A garanciaidő alatt minden olyan funkcionális hiba, amely az üzemeltetési utasításunkban leírt gondos kezelés ellenére bizonyíthatóan az anyaghibák miatt következik be, a vevőszolgálatunk javítja. A garancia olyan formája, hogy a hibás alkatrészek javítása vagy cseréje a tökéletes alkatrészekkel ingyenes. A cserélt részek tulajdonunk lesz. A javítási munkák vagy az egyes részek cseréje nem hosszabbítja meg a jótállási időszakot, és nem eredményez új garanciaidő megkezdését a készülék számára. Nincs külön garanciaidő a pótalkatrészek esetén. Nem nyújtunk garanciát a készülékek vagy alkatrészeik károsodására és hibáira a túlzott erő, a helytelen kezelés és a karbantartás miatt. Ez vonatkozik az üzemeltetési utasítás és a telepítés, illetve a tartalék és tartozék alkatrészeinek meg nem felelésére is, amelyek nem tartoznak a termékínálatunkba. Abban az esetben, ha a készülék jogosulatlan személy általi módosításai zavarnak, a garancia érvényét veszti. A nem megfelelő kezelés, a terhelés vagy a természetes kopás okozta károk nem tartoznak a garancia hatálya alá. A gyártó vagy az anyaghiba által okozott károkat a javítás vagy a pótalkatrészek beszerzése nélkül kijavítják. Az előfeltétel az, hogy a berendezést összeszerelték, és az értékesítés és a garancia igazolásával kiegészüljön. A garancia igényléséhez csak az eredeti csomagolást használja. Így garantálhatjuk a gyors és zökkenőmentes garanciafeldolgozást. Kérjük, küldje el nekünk a készüléket utólag fizetett vagy kérjen Freeway matricát. Sajnos nem tudjuk elfogadni a nem utólag fizetett készülékeket. A garancia nem terjed ki a természetes kopásnak kitett alkatrészekre. Ha garanciális igényt kíván nyújtani, hibákat jelenteni vagy pótalkatrészeket vagy tartozékokat rendelni, kérjük, vegye fel a kapcsolatot az alábbi értékesítési központtal: Előzetes értesítés nélkül változhat.

POL

GWARANCJA

To urządzenie jest produktem wysokiej jakości. Został zaprojektowany zgodnie z aktualnymi standardami technicznymi i wykonany starannie przy użyciu zwykłych, dobrej jakości materiałów. Okres gwarancji wynosi 24 miesiące w przypadku użytku nieprofesjonalnego i 12 miesięcy w przypadku użytku profesjonalnego i rozpoczyna się w dniu zakupu, który można zweryfikować za pomocą paragonu, faktury lub dowodu dostawy. W okresie gwarancji wszystkie błędy funkcjonalne, które pomimo starannego traktowania opisanego w naszej instrukcji obsługi, są weryfikowalne przez wady materiałowe, zostaną naprawione przez nasz personel obsługi posprzedażnej. Gwarancja ma formę, w której wadliwe części zostaną naprawione lub wymienione na części zamiennie bezpłatnie według naszego uznania. Wymienione części staną się naszą własnością. Naprawa lub wymiana pojedynczych części nie przedłuży okresu gwarancji, nie spowoduje to rozpoczęcia nowego okresu gwarancyjnego dla urządzenia. Nie rozpocznie się oddzielny okres gwarancji na części zamiennie, które mogą być używane. Nie możemy zaoferować gwarancji na uszkodzenia i usterki urządzeń lub ich części spowodowane użyciem nadmiernej siły, niewłaściwego traktowania i serwisowania. Dotyczy to również nieprzestrzegania instrukcji obsługi i instalacji lub części zamiennych i akcesoriów, które nie są zawarte w naszej ofercie produktów. W przypadku ingerencji w modyfikacje urządzenia przez osoby nieuprawnione, gwarancja zostanie unieważniona. Szkody, które można przypisać niewłaściwej obsłudze, nadmiernemu obciążeniu lub naturalnemu zużyciu, są wyłączone z gwarancji. Uszkodzenia spowodowane przez producenta lub wadę materiałową zostaną naprawione bezpłatnie przez naprawę lub przez dostarczenie części zamiennych. Warunkiem wstępnym jest przekazanie sprzętu w komplecie wraz z dowodem sprzedaży i gwarancją. W przypadku reklamacji należy używać tylko oryginalnego opakowania. W ten sposób możemy zagwarantować szybkie i płynne przetwarzanie gwarancji. Prześlij nam urządzenia post-paid lub zamów naklejkę na autostradę. Niestety nie będziemy mogli akceptować urządzeń, które nie są opłacane z dołu. Gwarancja nie obejmuje części ulegających naturalnemu zużyciu. Jeśli chcesz zgłosić roszczenie gwarancyjne, zgłośić usterki lub zamówić części zamiennie lub akcesoria, skontaktuj się z następującym centrum obsługi posprzedażnej: Zastrzega się możliwość zmian bez uprzedzenia.

ALB

GARANCIA

Kjo pajisje është një produkt cilësor. Washtë hartuar në përputhje me standardet aktuale teknike dhe është bërë me kujdes duke përdorur materiale normale, me cilësi të mirë. Periudha e garancisë është 24 muaj për përdorim jo profesional dhe 12 muaj për përdorim profesional dhe fillon në datën e blerjes, e cila mund të vërtetohet me faturën, faturën ose dorëzimin. Gjatë kësaj periudhe garancie, të gjitha gabimet funksionale, të cilat, përkundër trajtimit të kujdesshëm të përkthuesit në manualin tonë të funksionimit, janë verifikueshëm për shkak të metave të materialit, do të korrigjohen nga stafi ynë i shërbimit pas shitjes. Garancia merr formën që pjesët e dëmtuara do të riparohen ose zëvendësohen me pjesët të përsosura falas, sipas gjykimit tonë. Pjesët e zëvendësuara do të bëhen pronë jonë. Puna e riparimit ose zëvendësimit i pjesëve individuale nuk do të zgjasë periudhën e garancisë, por nuk do të rezultojë në fillimin e një periudhe të re garancie për pajisjen. Asnjë periudhë e veçantë e garancisë nuk do të fillojë për pjesët rezervë që mund të merren. Ne nuk mund të ofrojmë një garanci për dëmtimin dhe defektet e pajisjeve ose pjesëve të tyre të shaktuara nga përdorimi i forcës së tepërt, trajtimi dhe shërbimi i pahijshëm. Kjo gjithashtu vlen për dështimet në përputhje me manualin e funksionimit dhe instalimin ose pjesët rezervë dhe aksesorë që nuk përfshihen në gamën tonë të produkteve. Në rast ndërhyrjeje në modifikimet e pajisjes nga persona të paautorizuar, garancia do të hiqet. Dëmet që mund t'i atribuohen trajtimit të pahijshëm, ngarkimit të tepërt, ose konsumit natyror, përjashtohen nga garancia. Dëmet e shaktuara nga prodhuesi ose nga një defekt i materialit do të korrigjohen pa pagesë me riparim ose duke siguruar pjesë këmbimi. Parakushti është që pajisjet të dorëzohen të montuara, dhe të kompletuara me provën e shitjes dhe garancisë. Për një kërkesë garancie, përdorni vetëm paketimin origjinal. Në atë mënyrë, ne mund të garantojmë përpunim të shpejtë dhe të qetë të garancisë. Ju lutemi na dërgoni pajisjet me postë të paguar ose kërkoni një afishe autostradë. Për fat të keq, ne nuk do të jemi në gjendje të pranohim pajisje që nuk janë me kontratë. Garancia nuk përfshin pjesë që i nënshtrohen konsumit natyror. Nëse dëshironi të bëni një kërkesë për garanci, të raportoni gabime ose të porosisni pjesë rezervë ose pajisje, ju lutemi kontaktoni qendrën pas: Subjekti për të ndryshuar pa njoftim paraprak.

HR

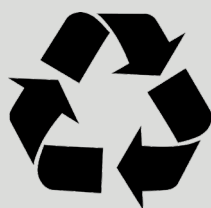
JAMSTVO

Ovaj je uređaj kvalitetan proizvod. Dizajniran je u skladu s trenutnim tehničkim standardima i izrađen je pažljivo koristeći normalne, kvalitetne materijale. Garancijsko razdoblje je 24 mjeseca za neprofesionalnu upotrebu i 12 mjeseci za profesionalnu uporabu i započinje datumom kupnje, što se može potvrditi potvrdom primitka, računa ili dostavnice. Tijekom ovog jamstvenog razdoblja sve će funkcionalne pogreške, koje su unatoč pažljivom postupanju opisanom u našem priručniku za upotrebu provjerljivo zbog materijalnih nedostataka, otkloniti od strane našeg servisnog osoblja. Jamstvo ima oblik da će se oštećeni dijelovi besplatno popraviti ili zamijeniti savršenim dijelovima, po našem nahođenju. Zamijenjeni dijelovi postat će naše vlasništvo. Popravak ili zamjena pojedinih dijelova neće produžiti jamstveno razdoblje, jer neće rezultirati novim jamstvenim rokom za uređaj. Neće započeti zasebni jamstveni rok za rezervne dijelove koji se mogu trošiti. Ne možemo pružiti jamstvo za oštećenja i oštećenja uređaja ili njihovih dijelova uzrokovanih prekomjernom silom, nepravilnim postupanjem i servisiranjem. To se također odnosi i na neusklađivanje s uputama za uporabu i instalacijskim ili rezervnim i pomoćnim dijelovima koji nisu uključeni u naš asortiman proizvoda. U slučaju ometanja neovlaštenih osoba na izmjenama uređaja, jamstvo će se poništiti. Oštećenja koja se mogu pripisati nepravilnom rukovanju, preopterećenju ili prirodnom habanju isključena su iz jamstva. Štete uzrokovane proizvođačem ili oštećenjem materijala ispravit će se besplatnim popravkom ili osiguravanjem rezervnih dijelova. Predviđet je da se oprema preda u sastavu, zajedno s dokazom o prodaji i garancijom. Za garancijski zahtjev koristite samo originalno pakiranje. Na taj način možemo jamčiti brzu i glatku obradu jamstava. Pošaljite nam uređaje naknadno ili zatražite naljepnicu autoputa. Nažalost, nećemo biti u mogućnosti prihvatiti uređaje koji nisu pretplaćeni. Jamstvo ne obuhvaća dijelove koji su podložni prirodnom habanju. Ako želite podnijeti zahtjev za jamstvom, prijaviti kvarove ili naručiti rezervne dijelove ili pribor, molimo kontaktirajte rajte dolje prodajni centar: Podložno promjenama bez prethodne najave.

SRB

GARANCIJA

Ovaj aparat je kvalitetan proizvod. Dizajniran je u skladu sa trenutnim tehničkim standardima i rađen pažljivo koristeći normalne, kvalitetne materijale. Garantni rok je 24 meseca. Garantni rok je 24 meseca za neprofesionalno korišćenje i 12 meseci za profesionalnu upotrebu i započinje danom kupovine, što se može verifikovati primaњem, fakturom ili otpremnicom. Tokom ovog garantnog perioda, sve funkcionalne greške koje se, uprkos pažljivom postupanju opisanom u našem uputstvu za upotrebu, verovatno mogu proveriti zbog materijalnih nedostataka, otkloniće od strane našeg servisnog osoblja. Garancija dobija oblik da će se neispravni delovi popraviti ili zameniti savršenim delovima besplatno po našem nahođenju. Zameњeni delovi postaću naše vlasništvo. Popravci ili zamena pojedinih delova neće produžiti garantni rok jer neće rezultirati novim garancijskim rokom za aparat. Neće početi poseban garantni rok za rezervne delove koji se mogu napuniti. Ne možemo pružiti garanciju za oštećenja i oštećenja uređaja ili њihovih delova nastalih prekomernom silom, nepravilnim tretmanom i servisiraњem. Ovo se takođe odnosi i na nepoštovaње uputstva za upotrebu i instalacionih ili rezervnih i pomoćnih delova koji nisu obuhvaćeni našim asortimantom proizvoda. U slučaju ometaња modifikacija uređaja od strane neovlašћених osoba, garancija će se poništiti. Oštećenja koja se mogu pripisati nepravilnom rukovaњу, preopterećenju ili prirodnom habaњу su isključena iz garancije. Oštećenja nastala od strane proizvođača ili oštećenja materijala ispravljaće se ili popravlaњem rezervnih delova besplatno. Preuslov je da se oprema preda u sastavu, zajedno sa dokazom o prodaji i garancijom. Za zahtev o garanciji koristite samo originalno pakovaње. Na taj način možemo garantovati brzu i glatku obradu garancija. Pošaljite nam uređaje naknadno ili zatražite nalepnicu sa autoputa. Nažalost, nećemo biti u mogućnosti da prihvatimo uređaje koji nisu plaćeni. Garancija ne pokriva delove koji su izloženi prirodnom habaњу. Ako želite da podnesete zahtev za garancijom, prijavite greške ili naručite rezervne delove ili dodatnu opremu, molimo kontaktirajte doњи prodajni centar: Moгу se promeniti bez prethodne najave.



The instructions manual is also available in digital format on our website www.nikolaoutools.gr. Find it by entering the product code in the Search " 🔍 " field.

Μπορείτε να βρείτε τις οδηγίες χρήσης και σε ηλεκτρονική μορφή μέσω της ιστοσελίδας μας www.nikolaoutools.gr. Αναζητήστε τις με τον κωδικό προϊόντος στο πεδίο Αναζήτηση " 🔍 " .