

Qty.	Description
------	-------------

1	Unilift CC7 - A1
---	-------------------------



Note! Product picture may differ from actual product

Product No.: [96280968](#)

Grundfos Unilift CC pumps are single-stage submersible pumps with a low suction ability down to 3 mm water level.

The pumps are designed for pumping rainwater and grey wastewater, e.g. from

- washing machines, baths, sinks, etc. from low-lying parts of buildings up to sewer level
- cellars or buildings prone to flooding
- draining wells
- wells for surface water with inlets from roof gutters, pits, tunnels, etc.
- swimming pools, ponds or fountains.

The pumps are suitable for both stationary and portable use.

They are for automatic operation.

The pumps allow free passage of particles up to $\varnothing 10$ mm.

The motor incorporates automatic overload protection cutting out the motor in case of overload.

When cooled to normal temperature, the motor restarts automatically.



Company name:

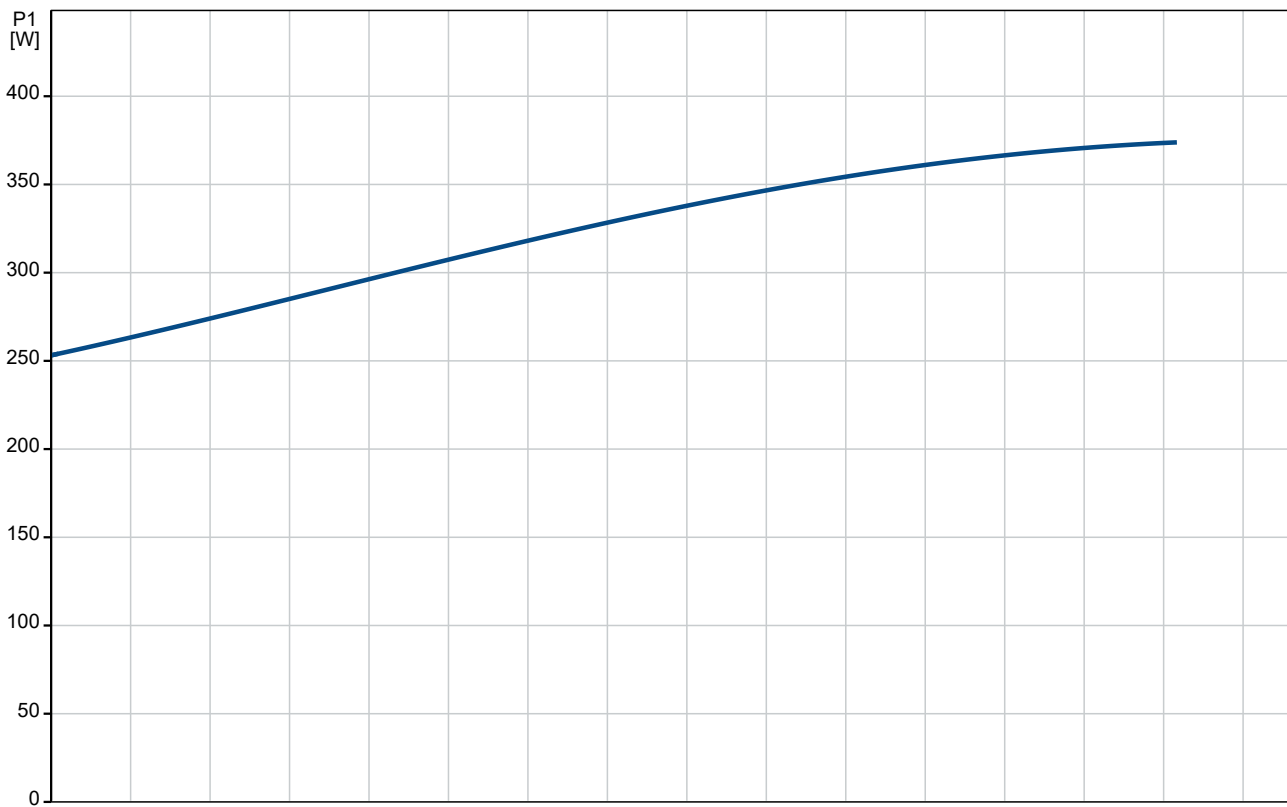
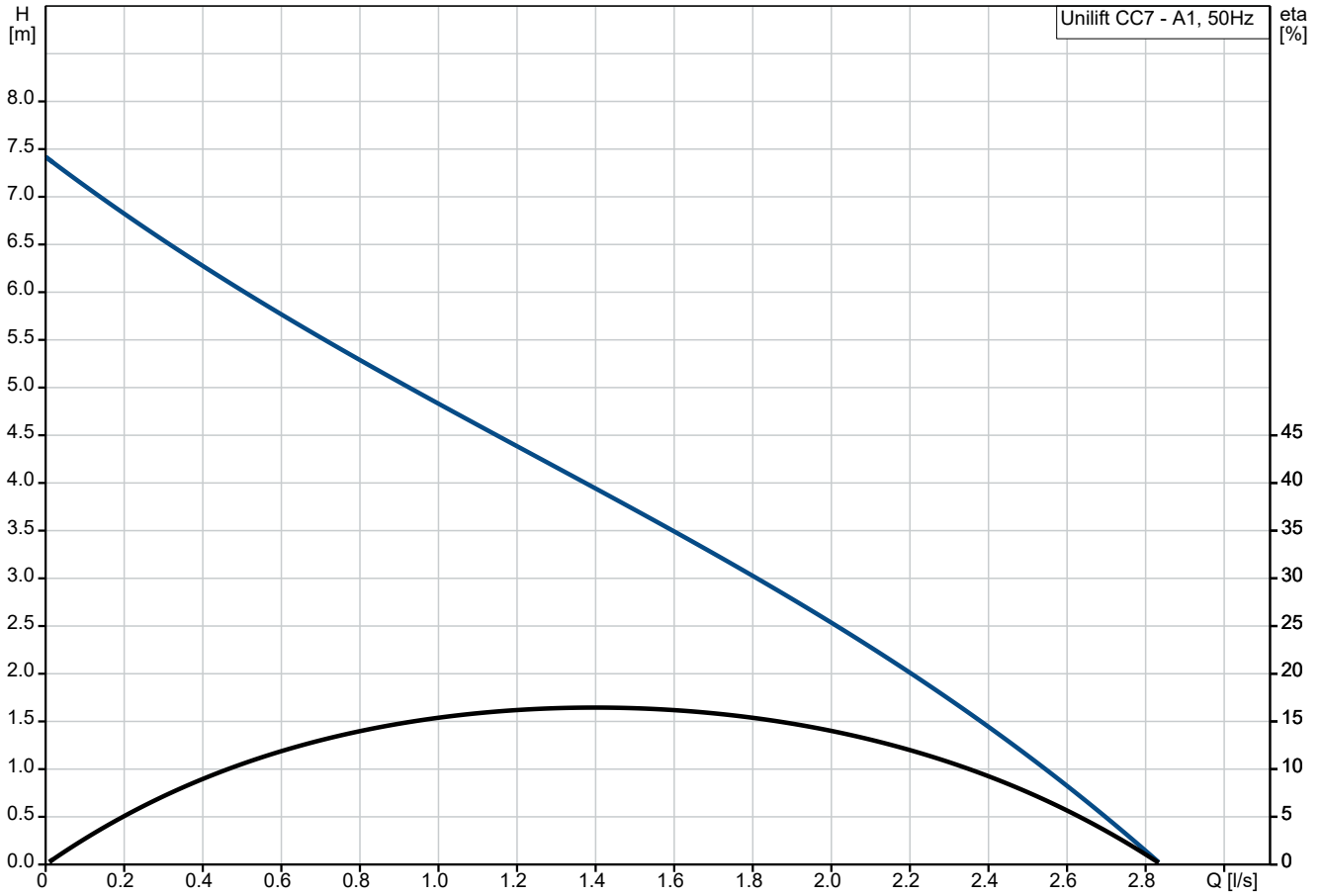
Created by:

Phone:

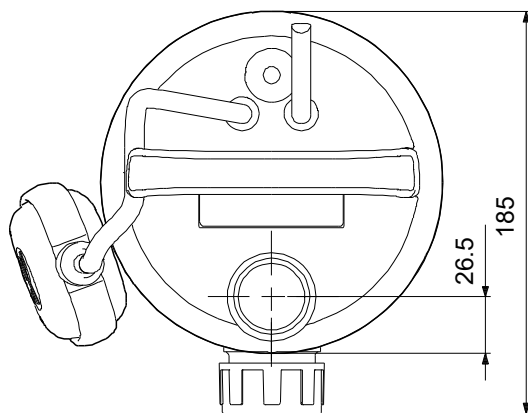
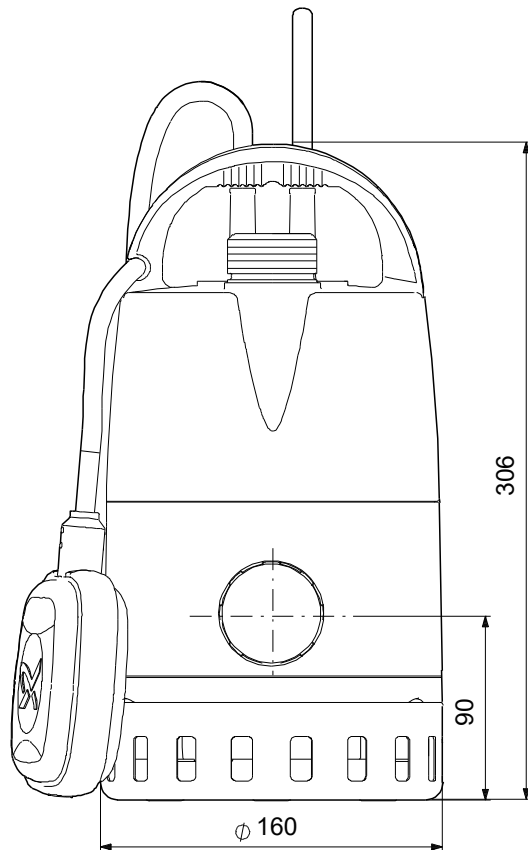
Date:

13/12/2023

96280968 Unilift CC7 - A1 50 Hz

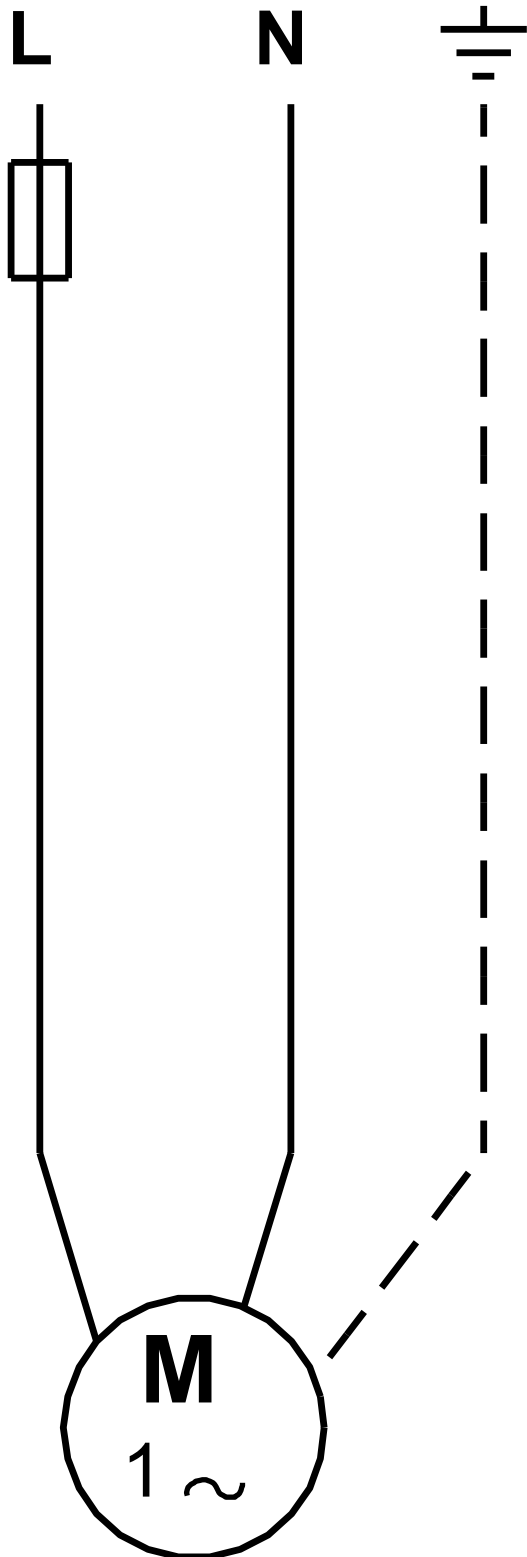


96280968 Unilift CC7 - A1 50 Hz



Note! All units are in [mm] unless others are stated.
Disclaimer: This simplified dimensional drawing does not show all details.

96280968 Unilift CC7 - A1 50 Hz



Note! All units are in [mm] unless others are stated.