

**Qty. Description**

1 JP 4-47



Note! Product picture may differ from actual product

Product No.: [99458767](#)

Grundfos JP 4-47 is a self-priming single-stage centrifugal jet pump with axial inlet and radial outlet for easy adaption to local piping system. The JP pump is ideal for transferring water from wells or ground tanks in a large variety of installations and it has excellent suction capacity.

The JP pump is designed for a long and trouble-free operation.

The overall design is robust with excellent corrosion resistance ensured by the stainless steel pump housing, composite impeller and paint application by electrophoresis.

JP is small and compact with a lifting handle that makes the pump handy and easy to carry.

The compact pump features a built in ejector with guide vanes.

This ensures optimum self-priming properties, featuring a suction-lift up to 8 meters.

The self-priming pump also ensures a stable operation as is it able to lift liquid from below the inlet level and can handle a mix of air and liquid until the pump reaches a fully-primed pumping condition.

The JP pump has built-in thermal protection, which immediately stops the pump if it overheats. The motor is air cooled and equipped with oversized, sealed, greased-for-life ball bearings to ensure silent operation and minimum service.

Controls:

Type of connector: Type E/F (CEE7/7)

Liquid:

Pumped liquid: Water

Liquid temperature range: 0 .. 40 °C

Selected liquid temperature: 20 °C

Density: 998.2 kg/m<sup>3</sup>

Technical:

Rated flow: 4 m<sup>3</sup>/h

Rated head: 16.75 m

Code for shaft seal: BBVP

Approvals: CE,EAC

Curve tolerance: ISO9906:2012 3B

Materials:

Pump housing: Stainless steel

EN 1.4301

AISI 304

Impeller:

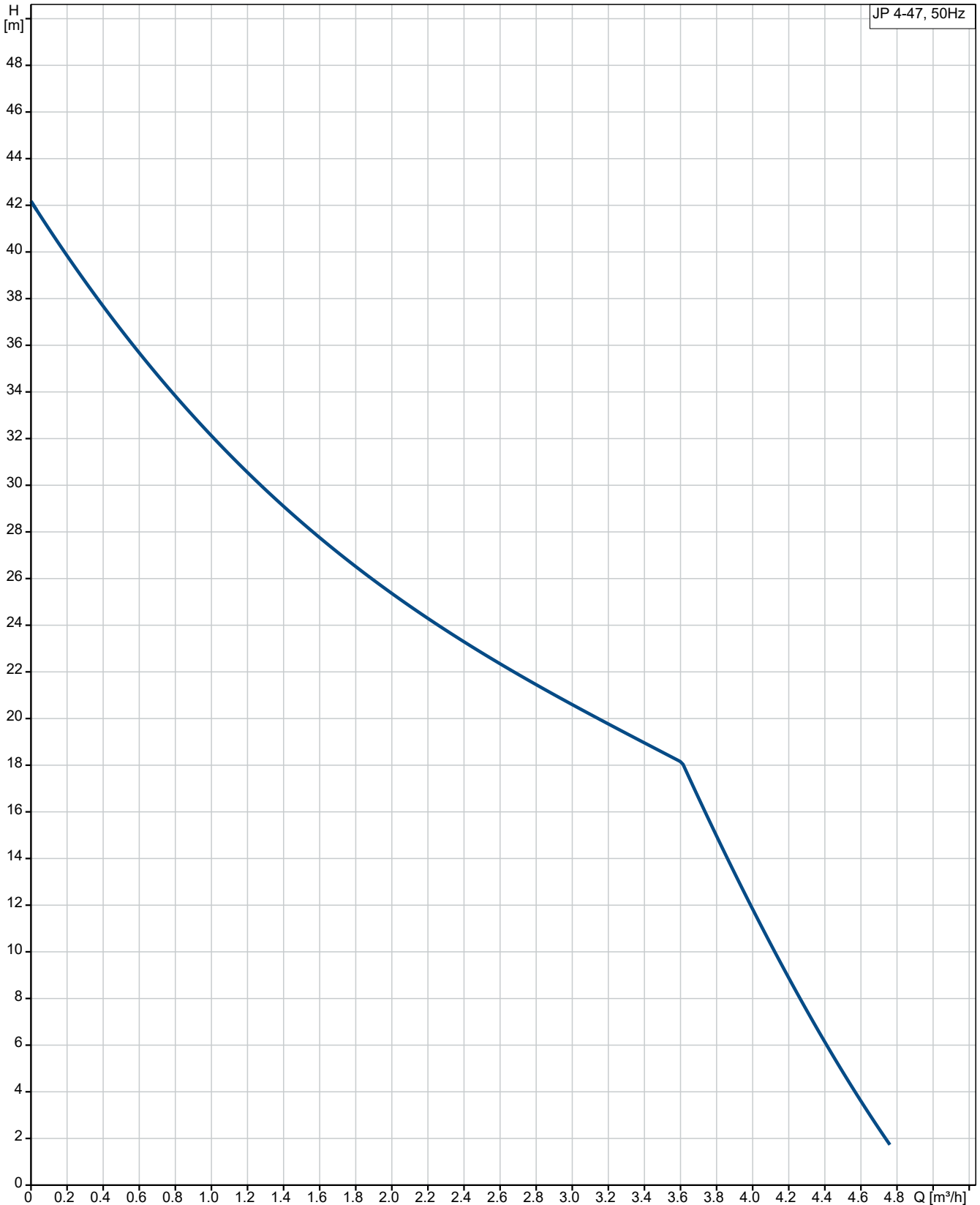
Composite

PPO-20GF

Installation:

Qty.	Description
1	<p>           Range of ambient temperature: 0 .. 40 °C            Maximum operating pressure: 6 bar            Maximum permissible inlet pressure: 1 bar            Pipe connection standard: ISO 228-1            Pump inlet: G1            Pump outlet: G1            Pressure rating for connection: PN 6         </p> <p> <b>Electrical data:</b>            Power input P1: 840 W            Rated power - P2: 0.55 kW            Mains frequency: 50 Hz            Rated voltage: 1 x 220-240 V            Rated current: 3.9 A            Starting current: 13.2 A            Rated speed: 2800 rpm            Capacitor size - run: 14 µF/450 V            Enclosure class (IEC 34-5): IP44            Insulation class (IEC 85): F            Length of cable: 1.5 m            Power plug: SCHUKO         </p> <p> <b>Others:</b>            Net weight: 9 kg            Gross weight: 12 kg            Shipping volume: 0.026 m³            Finnish LVI No.: 4732536            Norwegian NRF no.: 9040046            Country of origin: HU            Custom tariff no.: 84137051            Environmental approvals: WEEE         </p>

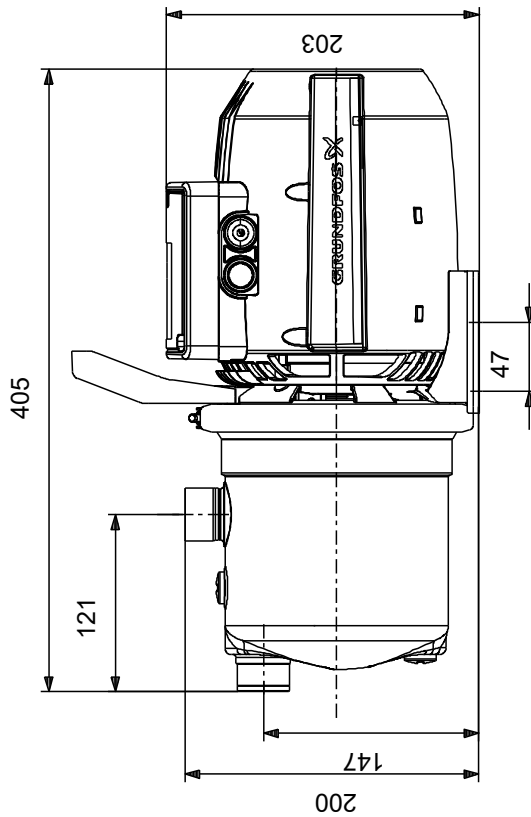
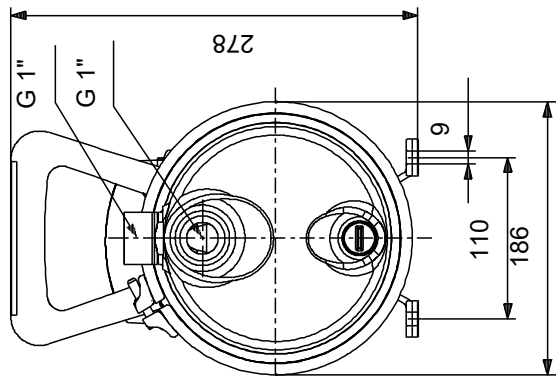
## 99458767 JP 4-47 50 Hz



JP 4-47, 50Hz

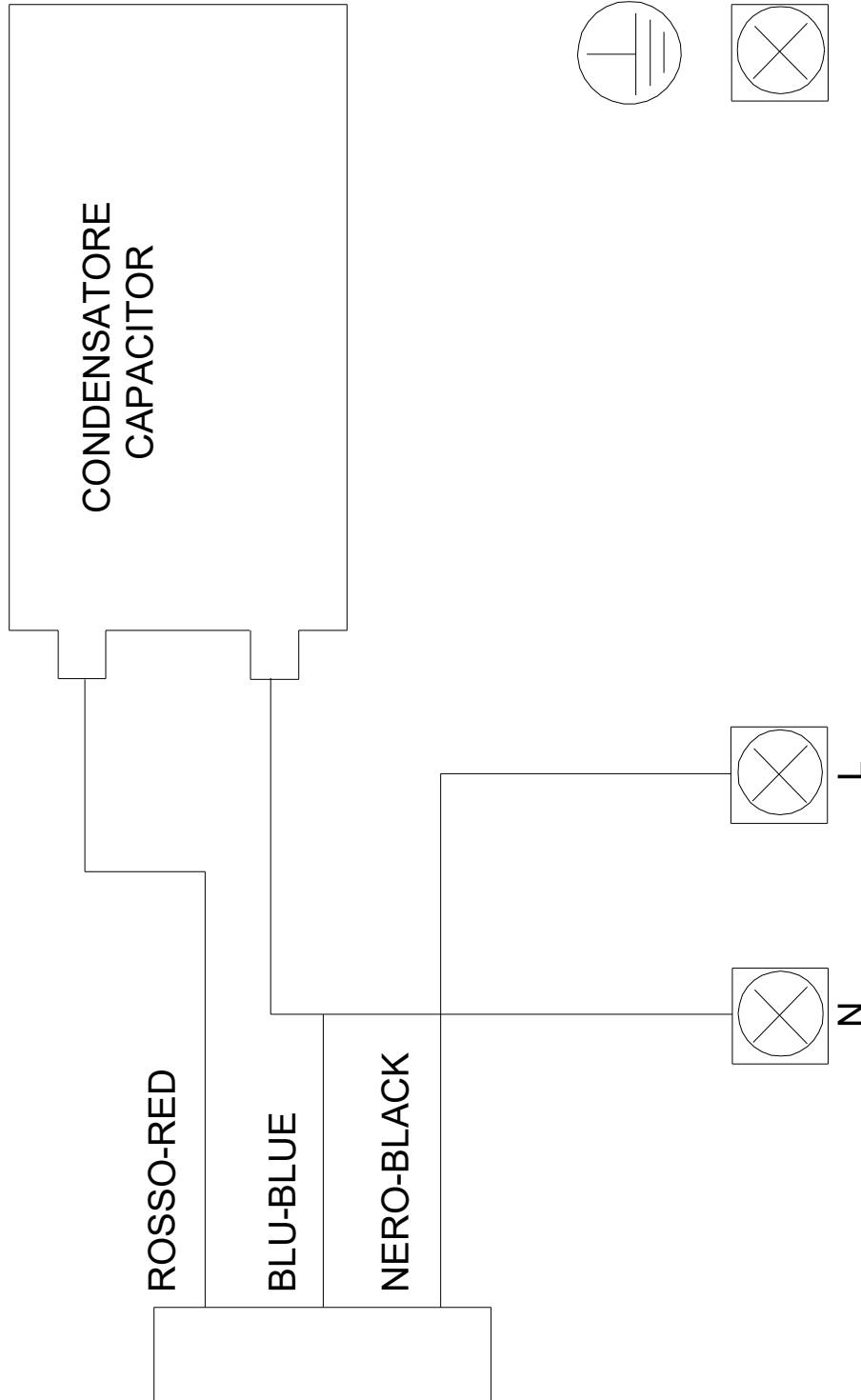
Pumped liquid = Water  
Liquid temperature during operation = 20 °C  
Density = 998.2 kg/m³

## 99458767 JP 4-47 50 Hz



Note! All units are in [mm] unless others are stated.  
Disclaimer: This simplified dimensional drawing does not show all details.

## 99458767 JP 4-47 50 Hz



Note! All units are in [mm] unless others are stated.