

# BORMANN®

# PRO

Built to last.



**BID1300** – **BID4500** – **BID6500** – **BID9200**

020639

020615

028079

020622

EN FR

IT EL

BG SL

RO

v2.2



WWW.NIKOLAOUTOOLS.GR





## Pictograms - Warning Labels



Double insulation



Wear eye protection equipment



Important information



Warning!



Wear ear protection equipment



Wear a dust mask



In order to reduce the risk of injury please read the following instructions.

## General Safety Rules



**WARNING!** Read all instructions, failure to follow all instructions listed below may result in electric shock, fire and / or serious injury. The term “power tool” in all of the warnings listed below refers to your mains-operated (corded) power tool or battery-operated (cordless) power tool.



**PLEASE KEEP THE INSTRUCTION MANUAL IN A SAFE PLACE**

### Work Area Safety

- Please keep work area clean and well lit. Dark or cluttered areas could invite accidents.
- Do not operate power tools in explosive atmospheres, such as in the presence of flammable liquids or fumes, gases or dust. Power tools could create sparks which may ignite the gases or fumes.
- Please keep children and bystanders in a safe distance while operating the power tool.

### Electrical Safety

- Please make sure that power tool plugs match the outlet.  
Do not ever modify the plug in any way. Do not use adapter plugs with earthed (grounded) power tools. Using unmodified plugs and matching outlets will reduce risk of electric shock and other injuries.
- Avoid body contact with earthed or grounded materials or objects, such as radiators, pipes, ranges and refrigerators. There is an tremendous risk of electric shock if your body is earthed or grounded.
- Do not expose power tools to rain or any other wet conditions. Water entering a power tool could increase the risk of electric shock.
- Do not abuse the power cord. Never use the cord for carrying, pulling or unplugging the electric tool. Keep cord in a safe distance from heat, oil, sharp edges and any moving parts. Damaged or entangled cords will increase the risk of electric shock.
- When operating an electric power tool outdoors, use an extension cable which has the appropriate specifications for outdoor use. Use of a an extension cable suitable for outdoor use reduces the risk of electric shock.
- If operating a power tool in a damp location cannot be avoided, use a residual current device (RCD) protected supply. Use of an RCD reduces the risk of electric shock.

### Personal Safety

- Stay alert, watch what you are doing and use common sense when operating a power tool. Do not use a power tool while you are feeling tired or under the influence of alcohol, drugs, or medication. A moment of inattention while operating a power tool may result in serious personal injury.
- Please use personal protective equipment. Always wear eye protection. Protective equipment such as a dust mask, or hearing protection, non-skid safety shoes or protective helmets, used for appropriate conditions will reduce personal injuries.
- Prevent unintentional starting. Ensure the power switch is in the off-position before connecting to power source and/or battery pack, picking up or carrying the power tool. Carrying power tools with your finger on the power switch or energising power tools that have the switch in the on position invites accidents.
- Remove any adjusting keys or wrenches before turning the power tool on. A tool left attached to a rotating part of the power tool may result in personal injury.
- Do not overreach. Keep balance and proper footing at all times. This helps to have a better control of the power tool in unexpected situations.
- Dress properly. Do not wear loose clothing or jewellery. Keep your hair, clothing and gloves away from any moving parts. Loose clothes, jewellery and/or long hair can be caught in moving parts.

### Power Tool Use And Care

- Please do not force the power tool. Use the correct power tool for the each application. The correct power tool will always

do the job better and safer when used at the rate for which it was designed.

- b) Do not use the power tool if the switch does not turn activate or deactivate it. Any power tool that cannot be controlled with the switch is extremely dangerous and must be repaired.
- c) Disconnect the main plug from the power source and/or the battery pack from the power tool before changing accessories, making any adjustments, or storing power tools. Such preventive safety measures will reduce the risk of starting the power tool accidentally.
- d) Store idle power tools out of the reach of children and do not allow persons unfamiliar with the power tool or these instructions to use and operate the power tool.

Power tools are extremely dangerous in the hands of untrained users.

- e) Maintain power tools. Check for misalignment or binding of moving parts, breakage of parts, leakage and any other condition that may affect the power tool's operation. If damaged, please have the power tool repaired before use. Many accidents and injuries are caused by poorly maintained power tools.
  - f) Keep all the cutting tools sharp and clean. Properly maintained cutting tools with sharp cutting edges are less likely to bind and are more precise and easier to control.
  - g) Always use the power tool, accessories and tool bits etc. in accordance with the instructions of this instruction manual, taking into account the working conditions and the work to be performed.
- Use of the power tool for applications different from those intended could result in a hazardous situation.

### Service

- a) Have your power tool serviced by a qualified repair technician using only identical replacement parts. This will ensure that the safety of the power tool is maintained.

### Machine-Specific Safety Warnings

Always wear hearing protection when using impact drills or any other similar power tools. The influence of noise can lead to loss of hearing.

Always use the auxiliary handle supplied with the power tool/machine. Loss of control can cause personal injury.

Use appropriate detectors to determine if any utility lines are hidden in the work area or call the local utility company for assistance. Contact with electric lines could lead to fire and/or electric shock. Damaging a gas pipe can lead to explosion. The penetration of a water pipe could cause property damage or even to an electric shock.

Be sure to switch off the power tool immediately when the power tool bit jams. Be prepared for high reaction torque that can cause kickback.

The tool bit jams when:

- a) the power tool is subject to overload or
- b) it becomes wedged in the workpiece.

Hold the power tool only by the insulated gripping surfaces when performing an operation where the cutting tool could contact hidden cables or its own power cord. Contact with a "live" wire will also make any exposed metal parts of the power tool "live" and shock the operator.

When working with the power tool, always hold it firmly with your both hands and provide for a secure stance. The power tool is controlled more effectively with both hands.

Secure your workpiece. A workpiece clamped with a vice or clamping devices is held more secure than by hand.

Keep your workplace clean. Blends of materials are extremely dangerous. Dust from light alloys can burn or ignite.

Check for damage to the tool, and any parts or accessories which may have occurred during transport.

Take the time to thoroughly read and comprehend this manual prior to operation.

### Intended Use

The machine is intended for drilling in wood, metal and plastic surfaces.

Machines with electronic control and right/left rotation are also suitable for screw-driving and thread-cutting.

Machines with an impact function are suitable for drilling in bricks, concrete and stone.

\* The manufacturer reserves the right to make minor changes to product design and technical specifications without prior notice unless these changes significantly affect the performance and safety of the products. The parts described / illustrated in the pages of the manual that you hold in your hands may also concern other models of the manufacturer's product line with similar features and may not be included in the product you just acquired.

\* To ensure the safety and reliability of the product and the warranty validity, all repair, inspection, repair or replacement work, including maintenance and special adjustments, must only be carried out by technicians of the authorized service department of the manufacturer.

\* Always use the product with the supplied equipment. Operation of the product with non-provided equipment may cause malfunctions or even serious injury or death. The manufacturer and the importer shall not be liable for injuries and damages resulting from the use of non-conforming equipment.

## Functional Description and Specifications

The following numbering refers to the illustration of the machine indicated on page 2.

1	Keyless chuck*
2	On/Off switch
3	Speed Pre-selection Thumb-wheel*
4	Lock-on button
5	Rotational direction switch
6	Impact Drilling / Drilling function selector switch*
7	Auxiliary handle*
8	Depth stop*
9	Gear Selector switch*
10	Keyed chuck*
11	Chuck key*



\* The accessories illustrated or described are not included as standard delivery.

## Technical Data

Model	BID4500	BID6500	BID9200	BID1300
Rated Voltage:	230V / 120V	230V	230V	230V
Rated Frequency:	50Hz / 60Hz	50Hz	50Hz	50Hz
Input Power:	400w	650w	920w	1200w
No load Speed:	0-4200rpm	0-2850rpm	0-3000rpm	0-1200rpm / 0-3000rpm
Chuck Type:	Keyless 10mm	Keyless 13mm	Keyless 13mm	Keyless 13mm

## Electrical Safety

The electric motor has been designed for a specific voltage only. Always check that the power supply corresponds to the voltage written on the rating plate.

## Assembly Instructions - Main Adjustments



Before using the tool, please read all the instructions.

### Auxiliary Handle (not available in all models)

Operate your machine only with the auxiliary handle.

The auxiliary handle can be set to any position for a secure and comfortable working posture.

Turn the handle (or the clamp) in an anticlockwise direction to adjust and set it to the required position. Then tighten the handle turning it (or the clamp) in a clockwise direction or press the corresponding button and release it after completing the adjustment.



### Adjusting the Drilling Depth (not available in all models)

The required drilling depth can be set using the depth stop.

Turn the handle in an anticlockwise direction (or press the button) in order to untighten it and insert the depth stop into the auxiliary handle. Pull out the depth stop until the distance between the tip of the drill bit and the tip of the depth stop correspond with the desired drilling depth.



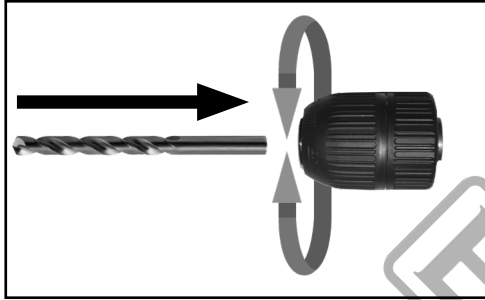
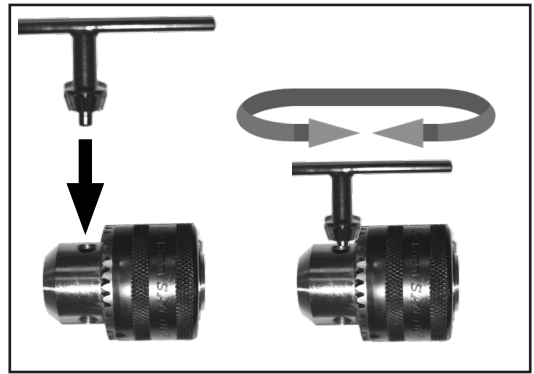
Tighten the handle to lock the depth stop to the preselected position (or release the button).

#### Key Type Drill Chuck (not available in all models)

Open the key type drill chuck by turning it anticlockwise until the tool can be inserted. Insert the tool. Insert the chuck key into the corresponding holes of the key type drill chuck and tighten the chuck uniformly.

#### Replacing The Drill Chuck

- For machines without spindle lock, please handle the power tool carefully. Prior to assembly or disassembly always unplug the tool. The chuck must be replaced through an authorized service Center.



#### Keyless Drill Chuck

Untighten the chuck by turning it counter-clockwise until the tool can be inserted. Finally, tighten the chuck clockwise to the point at which the tool is hold securely.

#### Dust/Chip Extraction Precautions

Dusts from materials such as lead-containing coatings, some wood types, minerals and some types of metal can be harmful to one's health. Touching or inhaling the dusts can cause allergic reactions and/or lead to respiratory infections of the user or bystanders.

Certain dusts, such as oak or beech dust, are considered as carcinogenic, especially in connection with wood-treatment additives (chromate, wood preservative). Materials containing asbestos may only be worked by specialists. Provide for good ventilation of the working place.

It is recommended to wear an appropriate filter-class respirator.

Observe the relevant regulations in your country for the materials to be worked.

- Prevent dust accumulation at the workplace. Be careful and always keep in mind that dusts can easily ignite.

## Operating Instructions

Always observe the safety instructions and any applicable regulations.

Observe and be sure of the correct mains voltage!

The voltage of the power source must agree with the voltage specified on the nameplate of the machine/power tool.

#### Selecting the Rotational Direction

The rotational direction switch is used to reverse the rotational direction of the power tool.

Be sure not to use the rotational direction switch with the On/Off switch actuated.

**Right Rotation:** For drilling and driving in screws.

**Left Rotation:** For loosening and unscrewing screws and nuts.

#### Switching ON and OFF

- To start the power tool, press the On/Off switch and keep it pressed.

To lock the pressed On/Off switch, press the lock-on button.

- To switch off the machine, release the On / Off switch or when it is locked with the lock-on button, rapidly press the On/Off switch and then release it.

#### Impact Drilling (not available in all models)

Set the selector switch to the Impact drilling position (hammer symbol).

#### Adjusting the Speed/Impact Frequency

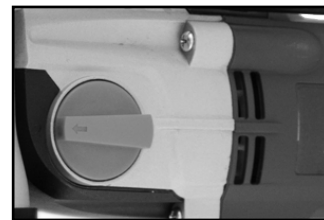
The speed/impact rate can be variably adjusted, depending on how far the On/Off switch is pressed.

Light pressure on the On/Off switch will give a low speed/impact rate. Further pressure on the switch will increase the speed/impact rate.

**Preselecting the Speed/Impact Frequency (not available in all models)**

The thumb-wheel can be used in order to pre-select the power tool's speed. The required speed/impact frequency can be preselected even during operation.

The required speed/impact frequency depends on the material and the working conditions, and can only be determined through practical testing.

**Gear selection (not available in all models)**

Use the gear selector to choose between two gears.

**Gear I:** Low speed range; for working with large drilling diameter tools or for driving in screws.

**Gear II:** High speed range; for working with small drilling diameter tools. Always turn the gear selector in the direction of the arrow. If the gear cannot be fully engaged, rotate the drive spindle with the drill bit by slightly turning the drill chuck.

**Maintenance**

Your Bormann power tool has been designed to operate over a long period of time with a minimum of maintenance.

**Lubrication**

Your power tool requires no additional lubrication.

**Cleaning**

Keep the ventilation slots clean and clear and regularly clean the housing using a soft cloth.

**Disposal**

The power tool, accessories and packaging should be sorted for environmental-friendly recycling.

**Only for EU countries:**

Do not dispose of power tools into household waste!

According the European Guideline 2002/96/EC for Waste Electrical and Electronic Equipment and its implementation into national right, power tools that are no longer usable must be collected separately and disposed of in an environmentally correct manner.



## Pictogrammes - Étiquettes d'avertissement



Double isolation



Porter des lunettes de protection



Informations importantes



Attention !



Portez une protection auditive



Portez un masque anti-poussière



Afin de réduire le risque de blessure, veuillez lire les instructions suivantes.

## Règles générales de sécurité



**AVERTISSEMENT !** Lisez toutes les instructions, le non-respect de toutes les instructions énumérées ci-dessous peut entraîner un choc électrique, un incendie et/ou des blessures graves. Le terme "outil électrique" dans tous les avertissements énumérés ci-dessous fait référence à votre outil électrique fonctionnant sur secteur (filaire) ou sur batterie (sans fil).



**VEUILLEZ CONSERVER LE MANUEL D'INSTRUCTION DANS UN LIEU SÛR**

### Sécurité de la zone de travail

- Veillez garder la zone de travail propre et bien éclairée. Les zones sombres ou encombrées peuvent favoriser les accidents.
- N'utilisez pas d'outils électriques dans des atmosphères explosives, par exemple en présence de liquides ou de fumées inflammables, de gaz ou de poussière. Les outils électriques pourraient créer des étincelles susceptibles d'enflammer les gaz ou les fumées.
- Veillez garder les enfants et les personnes présentes à une distance sûre pendant l'utilisation de l'outil électrique.

### Sécurité électrique

- Veillez vous assurer que les fiches des outils électriques correspondent à la prise de courant. Ne modifiez jamais la fiche de quelque façon que ce soit. N'utilisez pas de fiches d'adaptation avec des outils électriques mis à la terre. L'utilisation de fiches non modifiées et de prises de courant adaptées réduira le risque de choc électrique et d'autres blessures.
- Évitez tout contact corporel avec des matériaux ou des objets mis à la terre, tels que des radiateurs, des tuyaux, des cuisinières et des réfrigérateurs. Il y a un risque énorme de choc électrique si votre corps est mis à la terre ou relié à la masse.
- N'exposez pas les outils électriques à la pluie ou à toute autre condition humide. La pénétration d'eau dans un outil électrique peut augmenter le risque de choc électrique.
- Ne pas abuser du cordon d'alimentation. N'utilisez jamais le cordon pour porter, tirer ou débrancher l'outil électrique. Gardez le cordon à une distance sûre de la chaleur, de l'huile, des bords tranchants et de toute pièce mobile. Un cordon endommagé ou emmêlé augmente le risque de choc électrique.
- Lorsque vous utilisez un outil électrique à l'extérieur, utilisez une rallonge dont les spécifications sont adaptées à une utilisation en extérieur. L'utilisation d'une rallonge adaptée à une utilisation en extérieur réduit le risque de choc électrique.
- Si l'utilisation d'un outil électrique dans un endroit humide ne peut être évitée, utilisez une alimentation protégée par un dispositif à courant résiduel (RCD). L'utilisation d'un RCD réduit le risque de choc électrique.

### Sécurité personnelle

- Restez vigilant, regardez ce que vous faites et faites preuve de bon sens lorsque vous utilisez un outil électrique. N'utilisez pas un outil électrique si vous êtes fatigué ou sous l'influence de l'alcool, de drogues ou de médicaments. Un moment d'inattention lors de l'utilisation d'un outil électrique peut entraîner des blessures graves.
- Veillez utiliser un équipement de protection individuelle. Portez toujours des lunettes de protection. Les équipements de protection tels que le masque anti-poussière, les protections auditives, les chaussures de sécurité antidérapantes ou les casques de protection, utilisés dans des conditions appropriées, réduiront les blessures.
- Empêchez tout démarrage involontaire. Assurez-vous que l'interrupteur d'alimentation est en position d'arrêt avant de brancher la source d'alimentation et/ou le bloc-piles, de prendre ou de transporter l'outil électrique. Transporter des outils électriques avec le doigt sur l'interrupteur ou mettre sous tension des outils électriques dont l'interrupteur est en position de marche est une invitation aux accidents.
- Retirez les clés de réglage ou les clés à molette avant de mettre l'outil électrique en marche. Un outil laissé attaché à une partie rotative de l'outil électrique peut entraîner des blessures corporelles.
- Ne vous penchez pas trop. Gardez l'équilibre et une bonne assise à tout moment. Cela permet de mieux contrôler l'outil électrique dans des situations inattendues.
- Habilitez-vous correctement. Ne portez pas de vêtements amples ni de bijoux. Gardez vos cheveux, vos vêtements et vos gants à l'écart des pièces mobiles. Les vêtements amples, les bijoux et/ou les cheveux longs peuvent être happés par les pièces en mouvement.

### Utilisation et entretien des outils électriques

- Ne forcez pas l'outil électrique. Utilisez le bon outil électrique pour chaque application. Le bon outil électrique sera toujours



fait le travail mieux et de manière plus sûre lorsqu'il est utilisé au rythme pour lequel il a été conçu.

- b) N'utilisez pas l'outil électrique si l'interrupteur ne permet pas de l'activer ou de le désactiver. Tout outil électrique qui ne peut être contrôlé à l'aide de l'interrupteur est extrêmement dangereux et doit être réparé.
  - c) Débranchez la fiche principale de la source d'alimentation et/ou le bloc-piles de l'outil électrique avant de changer les accessoires, d'effectuer des réglages ou de ranger les outils électriques. Ces mesures de sécurité préventives réduiront le risque de démarrage accidentel de l'outil électrique.
  - d) Rangez les outils électriques inactifs hors de portée des enfants et ne permettez pas à des personnes non familiarisées avec l'outil électrique ou ces instructions d'utiliser et de faire fonctionner l'outil électrique. Les outils électriques sont extrêmement dangereux entre les mains d'utilisateurs non formés.
  - e) Entretenez les outils électriques. Vérifiez que les pièces mobiles ne sont pas mal alignées ou coincées, qu'elles ne sont pas cassées, qu'il n'y a pas de fuite ou toute autre condition qui pourrait affecter le fonctionnement de l'outil électrique. En cas de dommage, faites réparer l'outil électrique avant de l'utiliser. De nombreux accidents et blessures sont causés par des outils électriques mal entretenus.
  - f) Maintenez tous les outils de coupe affûtés et propres. Des outils de coupe correctement entretenus et aux tranchants affûtés risquent moins de se coincer et sont plus précis et plus faciles à contrôler.
  - g) Utilisez toujours l'outil électrique, les accessoires et les embouts etc. conformément aux instructions de ce manuel d'instructions, en tenant compte des conditions de travail et du travail à effectuer.
- L'utilisation de l'outil électrique pour des applications différentes de celles prévues peut entraîner une situation dangereuse.

#### Service

- a) Faites réparer votre outil électrique par un technicien qualifié en utilisant uniquement des pièces de rechange identiques. Cela permettra de garantir la sécurité de l'outil électrique.

#### Avertissements de sécurité spécifiques à la machine

Portez toujours une protection auditive lorsque vous utilisez des perceuses à percussion ou tout autre outil électrique similaire. L'influence du bruit peut entraîner une perte d'audition.

Utilisez toujours la poignée auxiliaire fournie avec l'outil/machine électrique. La perte de contrôle peut entraîner des blessures corporelles.

Utilisez les détecteurs appropriés pour déterminer si des lignes électriques sont cachées dans la zone de travail ou appelez la compagnie d'électricité locale pour obtenir de l'aide. Tout contact avec des lignes électriques peut entraîner un incendie et/ou un choc électrique. L'endommagement d'une conduite de gaz peut entraîner une explosion. La pénétration d'une conduite d'eau peut entraîner des dommages matériels, voire un choc électrique.

Veillez à éteindre immédiatement l'outil électrique lorsque la mèche de l'outil électrique se bloque. Soyez prêt à faire face à un couple de réaction élevé qui peut provoquer un rebond.

L'embout de l'outil se bloque lorsque:

- a) l'outil électrique est soumis à une surcharge ou
- b) il se coince dans la pièce.

Tenez l'outil électrique uniquement par les surfaces de préhension isolées lorsque vous effectuez une opération où l'outil de coupe pourrait entrer en contact avec des câbles cachés ou son propre cordon d'alimentation. Le contact avec un fil "sous tension" rendra également toute partie métallique exposée de l'outil électrique "sous tension" et choquera l'opérateur. Lorsque vous travaillez avec l'outil électrique, tenez-le toujours fermement avec vos deux mains et assurez-vous d'avoir une position sûre. Le contrôle de l'outil électrique est plus efficace avec les deux mains.

Fixez votre pièce. Une pièce serrée à l'aide d'un étau ou de dispositifs de serrage est mieux maintenue qu'à la main. Maintenez votre lieu de travail propre. Les mélanges de matériaux sont extrêmement dangereux. La poussière des alliages légers peut brûler ou s'enflammer. Vérifiez que l'outil, les pièces et les accessoires n'ont pas été endommagés pendant le transport.

Prenez le temps de lire attentivement et de comprendre ce manuel avant de l'utiliser.

#### Utilisation prévue

La machine est destinée au perçage de surfaces en bois, en métal et en plastique.

Les machines à commande électronique et à rotation droite/gauche conviennent également au vissage et au filetage.

Les machines dotées d'une fonction d'impact conviennent pour le perçage dans les briques, le béton et la pierre.

\* Le fabricant se réserve le droit d'apporter des modifications mineures à la conception et aux spécifications techniques des produits sans préavis, à moins que ces modifications n'affectent de manière significative les performances et la sécurité des produits. Les pièces décrites / illustrées dans les pages du manuel que vous tenez entre vos mains peuvent également concerner d'autres modèles de la gamme de produits du fabricant présentant des caractéristiques similaires et peuvent ne pas être incluses dans le produit que vous venez d'acquérir.

\* Pour garantir la sécurité et la fiabilité du produit et la validité de la garantie, tous les travaux de réparation, d'inspection, de réparation ou de remplacement, y compris l'entretien et les réglages spéciaux, doivent être effectués uniquement par des techniciens du service après-vente agréé du fabricant.

\* Utilisez toujours le produit avec l'équipement fourni. L'utilisation du produit avec un équipement non fourni peut entraîner des dysfonctionnements, voire des blessures graves ou la mort. Le fabricant et l'importateur ne peuvent être tenus responsables des blessures et dommages résultant de l'utilisation d'un équipement non conforme.

## Description fonctionnelle et spécifications

La numérotation suivante fait référence à l'illustration de la machine indiquée à la page 2.

1	Mandrin sans clé*.
2	Interrupteur marche/arrêt
3	Présélection de la vitesse molette*
4	Bouton de verrouillage
5	Interrupteur de sens de rotation
6	Commutateur de sélection des fonctions de perçage à percussion/perçage*.
7	Poignée auxiliaire
8	Butée de profondeur*
9	Commutateur de sélection de la vitesse
10	Mandrin à clavette *
11	Clé de mandrin*



\* Les accessoires illustrés ou décrits ne sont pas inclus dans la livraison standard.

## Données techniques

Modèle	BID4500	BID6500	BID9200	BID1300
Tension nominale:	230V / 120V	230V	230V	230V
Fréquence nominale:	50Hz / 60Hz	50Hz	50Hz	50Hz
Puissance d'entrée:	400w	650w	920w	1200w
Vitesse à vide:	0-4200rpm	0-2850rpm	0-3000rpm	0-1200rpm / 0-3000rpm
Type de mandrin:	Sans clé 10mm	Sans clé 13mm	Sans clé 13mm	Sans clé 13mm

## Sécurité électrique

Le moteur électrique a été conçu pour une tension spécifique uniquement. Vérifiez toujours que l'alimentation électrique correspond à la tension indiquée sur la plaque signalétique.

## Instructions de montage - Réglages principaux



Avant d'utiliser l'outil, veuillez lire toutes les instructions.

### Poignée auxiliaire (non disponible sur tous les modèles)

Utilisez votre machine uniquement avec la poignée auxiliaire.

La poignée auxiliaire peut être réglée dans n'importe quelle position pour une posture de travail sûre et confortable. Tournez la poignée (ou la pince) dans le sens inverse des aiguilles d'une montre pour l'ajuster et la mettre dans la position requise. Serrez ensuite la poignée en la tournant (ou la pince) dans le sens des aiguilles d'une montre ou appuyez sur le bouton correspondant et relâchez-le après avoir terminé le réglage.



### Réglage de la profondeur de perçage (non disponible sur tous les modèles)

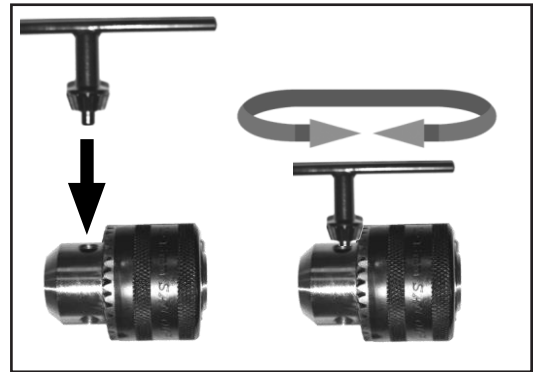
La profondeur de forage requise peut être réglée à l'aide de la butée de profondeur. Tournez la poignée dans le sens inverse des aiguilles d'une montre (ou appuyez sur le bouton) afin de la desserrer et insérez la butée de profondeur dans la poignée auxiliaire. Tirez la butée de profondeur jusqu'à ce que la distance entre la pointe de la mèche et la pointe de la butée de profondeur corresponde à la profondeur de forage souhaitée.



Serrez la poignée pour verrouiller la butée de profondeur sur la position présélectionnée (ou relâchez le bouton).

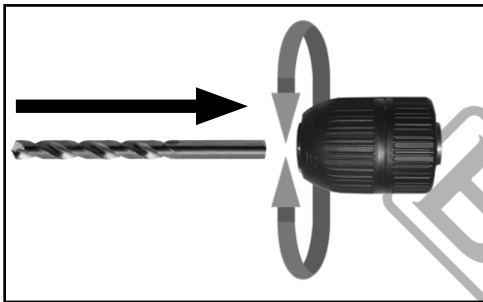
#### Mandrin de perçage à clé (non disponible sur tous les modèles)

Ouvrez le mandrin de perçage à clé en le tournant dans le sens inverse des aiguilles d'une montre jusqu'à ce que l'outil puisse être inséré. Insérez l'outil. Insérez la clé du mandrin dans les trous correspondants du mandrin de perçage à clé et serrez le mandrin uniformément.



#### Remplacement du mandrin de la perceuse

• Pour les machines sans verrouillage de la broche, veuillez manipuler l'outil électrique avec précaution. Avant le montage ou le démontage, débranchez toujours l'outil. Le mandrin doit être remplacé par un centre de service agréé.



#### Mandrin de perceuse sans clé

Desserrez le mandrin en le tournant dans le sens inverse des aiguilles d'une montre jusqu'à ce que l'outil puisse être inséré. Enfin, serrez le mandrin dans le sens des aiguilles d'une montre jusqu'à ce que l'outil soit solidement maintenu.

#### Précautions pour l'extraction des poussières/copeaux

Les poussières provenant de matériaux tels que les revêtements contenant du plomb, certains types de bois, les minéraux et certains types de métaux peuvent être nocives pour la santé. Le fait de toucher ou d'inhaler ces poussières peut provoquer des réactions allergiques et/ou entraîner des infections respiratoires chez l'utilisateur ou les personnes présentes.

Certaines poussières, comme les poussières de chêne ou de hêtre, sont considérées comme cancérogènes, notamment en relation avec les additifs de traitement du bois (chromate, produit de préservation du bois). Les matériaux contenant de l'amiante ne peuvent être travaillés que par des spécialistes.

Prévoir une bonne ventilation du lieu de travail.

Il est recommandé de porter un appareil respiratoire à filtre approprié.

Respectez les réglementations en vigueur dans votre pays pour les matériaux à travailler.

• Empêchez l'accumulation de poussière sur le lieu de travail. Soyez prudent et gardez toujours à l'esprit que les poussières peuvent facilement s'enflammer.

### Instructions d'utilisation

Respectez toujours les consignes de sécurité et les réglementations en vigueur.

Respectez et assurez-vous de la bonne tension du réseau!

La tension de la source d'alimentation doit correspondre à la tension indiquée sur la plaque signalétique de la machine/outil électrique.

#### Sélection du sens de rotation

Le commutateur de sens de rotation est utilisé pour inverser le sens de rotation de l'outil électrique.

Veillez à ne pas utiliser l'interrupteur de sens de rotation lorsque l'interrupteur marche/arrêt est actionné.

**Rotation à droite :** Pour percer et enfoncer des vis.

**Rotation à gauche :** Pour desserrer et dévisser les vis et les écrous.

#### Commutation ON et OFF

• Pour démarrer l'outil électrique, appuyez sur l'interrupteur marche/arrêt et maintenez-le enfoncé.

Pour verrouiller l'interrupteur marche/arrêt enfoncé, appuyez sur le bouton de verrouillage.

• Pour éteindre la machine, relâchez l'interrupteur Marche/Arrêt ou, s'il est verrouillé par le bouton d'enclenchement, appuyez rapidement sur l'interrupteur Marche/Arrêt, puis relâchez-le.

#### Perçage par impact (pas disponible sur tous les modèles)

Placez le sélecteur en position Perçage à percussion (symbole du marteau).

#### Réglage de la fréquence de vitesse/impact

La vitesse/le taux d'impact peuvent être réglés de manière variable, en fonction de la distance à laquelle l'interrupteur marche/arrêt est enfoncé.

Une légère pression sur l'interrupteur marche/arrêt donne une vitesse/impact faible. Une pression plus forte sur l'interrupteur augmentera la vitesse/le taux d'impact.

**Présélection de la fréquence de vitesse/impact (non disponible sur tous les modèles)**

La molette peut être utilisée pour présélectionner la vitesse de l'outil électrique. La vitesse/fréquence d'impact requise peut être présélectionnée même pendant le fonctionnement. La vitesse/fréquence d'impact requise dépend du matériau et des conditions de travail, et ne peut être déterminée que par des essais pratiques.

**Sélection des vitesses (non disponible sur tous les modèles)**

Utilisez le sélecteur de vitesse pour choisir entre deux vitesses.

**Vitesse I** : Gamme de vitesse basse ; pour travailler avec des outils de grand diamètre de perçage ou pour enfoncer des vis.

**Vitesse II** : gamme de vitesse élevée ; pour travailler avec des outils de petit diamètre de perçage. Tournez toujours le sélecteur de vitesse dans le sens de la flèche. Si la vitesse ne peut pas être complètement engagée, faites tourner la broche d'entraînement avec le foret en tournant légèrement le mandrin de la perceuse.

**Maintenance**

Votre outil électrique Bormann a été conçu pour fonctionner pendant une longue période avec un minimum d'entretien.

**Lubrification**

Votre outil électrique ne nécessite aucune lubrification supplémentaire.

**Nettoyage**

Maintenez les fentes de ventilation propres et dégagées et nettoyez régulièrement le boîtier à l'aide d'un chiffon doux.

**Élimination**

L'outil électrique, les accessoires et l'emballage doivent être triés pour un recyclage respectueux de l'environnement.

**Uniquement pour les pays de l'UE:**

Ne pas jeter les outils électriques dans les ordures ménagères!

Conformément à la directive européenne 2002/96/CE relative aux déchets d'équipements électriques et électroniques et à sa transposition en droit national, les outils électriques qui ne sont plus utilisables doivent être collectés séparément et éliminés d'une manière écologiquement correcte.

## Pittogrammi - Etichette di avvertenza



**Doppio isolamento**



**Indossare una protezione per gli occhi attrezzature**



**Informazioni importanti**



**Attenzione!**



**Indossare una protezione per le orecchie attrezzature**



**Indossare una maschera antipolvere**



**Per ridurre il rischio di lesioni, leggere le seguenti istruzioni.**

## Norme generali di sicurezza



**ATTENZIONE!** Leggere tutte le istruzioni; la mancata osservanza di tutte le istruzioni elencate di seguito può provocare scosse elettriche, incendi e/o gravi lesioni. Il termine "utensile elettrico" in tutte le avvertenze elencate di seguito si riferisce all'utensile elettrico alimentato a rete (con cavo) o a batteria (a batteria).



**CONSERVARE LE ISTRUZIONI PER L'USO IN UN LUOGO SICURO.**

### Sicurezza dell'area di lavoro

- Mantenere l'area di lavoro pulita e ben illuminata. Aree buie o disordinate possono provocare incidenti.
- Non utilizzare gli utensili elettrici in atmosfere esplosive, ad esempio in presenza di liquidi o fumi infiammabili, gas o polveri. Gli utensili elettrici potrebbero creare scintille che potrebbero incendiare i gas o i fumi.
- Tenere i bambini e gli astanti a distanza di sicurezza durante l'uso dell'elettrostrumento.

### Sicurezza elettrica

- Assicurarsi che le spine degli utensili elettrici corrispondano alla presa di corrente. Non modificare mai la spina in alcun modo. Non utilizzare spine adattatrici con utensili elettrici dotati di messa a terra. L'uso di spine non modificate e di prese corrispondenti riduce il rischio di scosse elettriche e altre lesioni.
- Evitare il contatto del corpo con materiali o oggetti collegati a terra, come radiatori, tubi, cucine e frigoriferi. Il rischio di scosse elettriche è molto elevato se il corpo è collegato a terra.
- Non esporre gli utensili elettrici alla pioggia o ad altre condizioni di umidità. L'ingresso di acqua in un elettrostrumento può aumentare il rischio di scosse elettriche.
- Non abusare del cavo di alimentazione. Non utilizzare mai il cavo per trasportare, tirare o scollegare l'utensile elettrico. Tenere il cavo a distanza di sicurezza da calore, olio, bordi taglienti e parti in movimento. I cavi danneggiati o aggrovigliati aumentano il rischio di scosse elettriche.
- Quando si utilizza un elettrostrumento all'aperto, utilizzare un cavo di prolunga con le specifiche adeguate per l'uso all'aperto. L'uso di un cavo di prolunga adatto all'uso esterno riduce il rischio di scosse elettriche.
- Se non è possibile evitare di utilizzare un utensile elettrico in un luogo umido, utilizzare un'alimentazione protetta da un dispositivo di corrente residua (RCD). L'uso di un RCD riduce il rischio di scosse elettriche.

### Sicurezza personale

- Quando si utilizza un elettrostrumento, occorre essere vigili, fare attenzione a ciò che si fa e usare il buon senso. Non utilizzare un utensile elettrico quando si è stanchi o sotto l'effetto di alcol, droghe o farmaci. Un momento di disattenzione durante l'uso di un elettrostrumento può causare gravi lesioni personali.
- Utilizzare i dispositivi di protezione individuale. Indossare sempre una protezione per gli occhi. L'uso di dispositivi di protezione come maschere antipolvere, protezioni per l'udito, scarpe di sicurezza antiscivolo o caschi protettivi, utilizzati in condizioni adeguate, ridurrà le lesioni personali.
- Prevenire l'avviamento involontario. Assicurarsi che l'interruttore di alimentazione sia in posizione off prima di collegare la fonte di alimentazione e/o la batteria, di sollevare o trasportare l'elettrostrumento. Trasportare gli utensili elettrici con il dito sull'interruttore di alimentazione o dare energia agli utensili elettrici che hanno l'interruttore in posizione di accensione favorisce gli incidenti.
- Prima di accendere l'elettrostrumento, rimuovere le chiavi di regolazione o le chiavi inglesi. Un utensile lasciato attaccato a una parte rotante dell'elettrostrumento può causare lesioni personali.
- Non sporgersi eccessivamente. Mantenere sempre l'equilibrio e l'appoggio corretto. Questo aiuta a controllare meglio l'elettrostrumento in situazioni impreviste.
- Vestirsi in modo adeguato. Non indossare abiti larghi o gioielli. Tenere i capelli, gli indumenti e i guanti lontani dalle parti in movimento. Vestiti larghi, gioielli e/o capelli lunghi possono impigliarsi nelle parti in movimento.

### Uso e cura degli elettrostrumenti

- Non forzare l'elettrostrumento. Utilizzare l'elettrostrumento corretto per ogni applicazione. L'utensile corretto sarà sempre

svolgere il lavoro in modo migliore e più sicuro se utilizzato alla velocità per cui è stato progettato.

b) Non utilizzare l'elettrostrumento se l'interruttore non lo attiva o lo disattiva. Qualsiasi strumento elettrico che non può essere controllato con l'interruttore è estremamente pericoloso e deve essere riparato.

c) Scollegare la spina principale dalla fonte di alimentazione e/o il pacco batteria dall'elettrostrumento prima di cambiare gli accessori, effettuare regolazioni o riporre l'elettrostrumento. Queste misure di sicurezza preventive riducono il rischio di avviamento accidentale dell'elettrostrumento.

d) Conservare gli utensili elettrici inattivi fuori dalla portata dei bambini e non consentire l'uso e l'utilizzo dell'utensile a persone che non conoscono l'utensile o le presenti istruzioni.

Gli utensili elettrici sono estremamente pericolosi nelle mani di utenti non addestrati.

e) Manutenzione degli utensili elettrici. Controllare che non vi siano disallineamenti o impedimenti delle parti mobili, rotture di parti, perdite e qualsiasi altra condizione che possa compromettere il funzionamento dell'elettrostrumento.

Se danneggiato, far riparare l'elettrostrumento prima dell'uso. Molti incidenti e infortuni sono causati da una cattiva manutenzione degli utensili elettrici.

f) Mantenere tutti gli utensili da taglio affilati e puliti. Gli utensili da taglio sottoposti a una corretta manutenzione e dotati di bordi taglienti affilati hanno meno probabilità di legarsi e sono più precisi e facili da controllare.

g) Utilizzare sempre l'elettrostrumento, gli accessori e le punte per utensili ecc. in conformità alle istruzioni del presente manuale, tenendo conto delle condizioni di lavoro e dell'attività da svolgere.

L'uso dell'elettrostrumento per applicazioni diverse da quelle previste potrebbe causare situazioni di pericolo.

### Servizio

a) Affidare l'assistenza dell'elettrostrumento a un tecnico qualificato che utilizzi solo parti di ricambio identiche. In questo modo si garantisce la sicurezza dell'elettrostrumento.

### Avvertenze di sicurezza specifiche per la macchina

Indossare sempre una protezione per l'udito quando si utilizzano trapani a percussione o altri utensili elettrici simili. L'influenza del rumore può causare la perdita dell'udito.

Utilizzare sempre l'impugnatura ausiliaria fornita con l'elettrostrumento/macchina. La perdita di controllo può causare lesioni personali.

Utilizzare i rilevatori appropriati per determinare se nell'area di lavoro sono nascoste linee elettriche o chiamare l'azienda elettrica locale per assistenza. Il contatto con le linee elettriche può provocare incendi e/o scosse elettriche. Il danneggiamento di un tubo del gas può causare esplosioni. La penetrazione di un tubo dell'acqua può causare danni alle cose o addirittura scosse elettriche.

Assicurarsi di spegnere immediatamente l'elettrostrumento quando la punta si inceppa. Prepararsi a una coppia di reazione elevata che può causare contraccolpi.

La punta dell'utensile si inceppa quando:

- a) l'elettrostrumento è soggetto a sovraccarico o
- b) si incastra nel pezzo.

Tenere l'utensile elettrico solo per le superfici di presa isolate quando si esegue un'operazione in cui l'utensile da taglio potrebbe entrare in contatto con cavi nascosti o con il proprio cavo di alimentazione. Il contatto con un cavo "sotto tensione" renderà "sotto tensione" anche le parti metalliche esposte dell'elettrostrumento e provocherà una scossa all'operatore.

Quando si lavora con l'elettrostrumento, bisogna sempre tenerlo saldamente con entrambe le mani e assumere una posizione sicura. L'elettrostrumento si controlla meglio con entrambe le mani.

Bloccare il pezzo da lavorare. Un pezzo fissato con una morsa o un dispositivo di serraggio è più sicuro di quello che si ottiene a mano. Mantenete pulito il vostro posto di lavoro. Le miscele di materiali sono estremamente pericolose.

La polvere delle leghe leggere può bruciare o incendiarsi. Controllare che l'utensile, le parti e gli accessori non abbiano subito danni durante il trasporto.

Prima dell'uso, leggere attentamente e comprendere il presente manuale.

### Uso previsto

La macchina è destinata alla foratura di superfici in legno, metallo e plastica.

Le macchine con controllo elettronico e rotazione destra/sinistra sono adatte anche per avvitare e filettare.

Le macchine con funzione di impatto sono adatte alla foratura di mattoni, calcestruzzo e pietra.

\* Il produttore si riserva il diritto di apportare modifiche minori al design e alle specifiche tecniche del prodotto senza preavviso, a meno che tali modifiche non influiscano in modo significativo sulle prestazioni e sulla sicurezza dei prodotti. Le parti descritte/illustrate nelle pagine del manuale che avete tra le mani possono riguardare anche altri modelli della linea di prodotti del produttore con caratteristiche simili e potrebbero non essere incluse nel prodotto appena acquistato.

\* Per garantire la sicurezza e l'affidabilità del prodotto e la validità della garanzia, tutti i lavori di riparazione, ispezione, riparazione o sostituzione, compresa la manutenzione e le regolazioni speciali, devono essere eseguiti esclusivamente da tecnici del servizio di assistenza autorizzato del produttore.

\* Utilizzare sempre il prodotto con le apparecchiature in dotazione. L'utilizzo del prodotto con apparecchiature non in dotazione può causare malfunzionamenti o addirittura lesioni gravi o morte. Il produttore e l'importatore non sono responsabili per lesioni e danni derivanti dall'uso di apparecchiature non conformi.



## Descrizione funzionale e specifiche

La seguente numerazione si riferisce all'illustrazione della macchina indicata a pagina 2.

1	Mandrino senza chiave*
2	Interruttore On/Off
3	Preselezione della velocità Rotella*
4	Pulsante di blocco
5	Interruttore del senso di rotazione
6	Selettore della funzione di foratura a percussione/foratura*
7	Maniglia ausiliaria*
8	Arresto di profondità*
9	Selettore di marcia*
10	Mandrino con chiave*
11	Chiave di mandrino*



\* Gli accessori illustrati o descritti non sono inclusi nella fornitura standard.

## Dati tecnici

Modello	BID4500	BID6500	BID9200	BID1300
Tensione nominale:	230V / 120V	230V	230V	230V
Frequenza nominale:	50Hz / 60Hz	50Hz	50Hz	50Hz
Potenza in ingresso:	400w	650w	920w	1200w
Velocità a vuoto:	0-4200 giri/min	0-2850 giri/min	0-3000 giri/min	0-1200 giri/min. 0-3000 giri/min.
Tipo di mandrino:	Senza chiave 10 mm	Senza chiave 13 mm	Senza chiave 13 mm	Senza chiave 13 mm

## Sicurezza elettrica

Il motore elettrico è stato progettato solo per una tensione specifica. Verificare sempre che l'alimentazione corrisponda alla tensione indicata sulla targhetta.

## Istruzioni di montaggio - Regolazioni principali



Prima di utilizzare lo strumento, leggere tutte le istruzioni.

### Maniglia ausiliaria (non disponibile in tutti i modelli)

Utilizzare la macchina solo con l'impugnatura ausiliaria.

L'impugnatura ausiliaria può essere regolata in qualsiasi posizione per una postura di lavoro sicura e confortevole. Ruotare la maniglia (o il morsetto) in senso antiorario per regolare e impostare la posizione desiderata. Quindi stringere la maniglia (o il morsetto) in senso orario o premere il pulsante corrispondente e rilasciarlo al termine della regolazione.



### Regolazione della profondità di foratura (non disponibile in tutti i modelli)

La profondità di foratura desiderata può essere impostata utilizzando l'arresto di profondità.

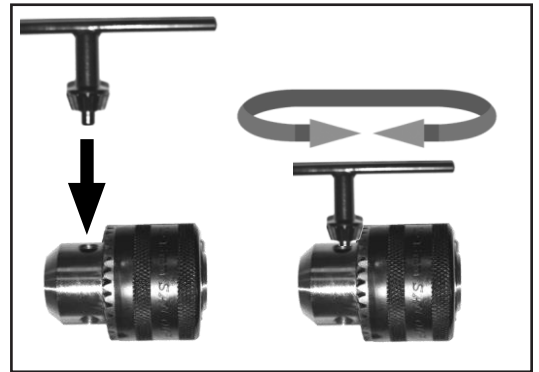
Ruotare l'impugnatura in senso antiorario (o premere il pulsante) per svitarla e inserire l'arresto di profondità nell'impugnatura ausiliaria. Estrarre l'arresto di profondità fino a quando la distanza tra la punta della punta e la punta dell'arresto di profondità corrisponde alla profondità di foratura desiderata.



Serrare la maniglia per bloccare l'arresto di profondità nella posizione preselezionata (o rilasciare il pulsante).

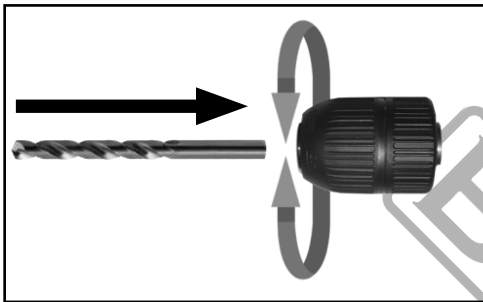
#### Mandrino a chiave (non disponibile in tutti i modelli)

Aprire il mandrino del trapano con chiave ruotandolo in senso antiorario fino a quando è possibile inserire l'utensile. Inserire l'utensile. Inserire la chiave del mandrino nei fori corrispondenti del mandrino a chiave e serrare il mandrino in modo uniforme.



#### Sostituzione del mandrino del trapano

- Per le macchine senza blocco del mandrino, maneggiare con cura l'utensile elettrico. Prima di montare o smontare l'utensile, staccare sempre la spina. Il mandrino deve essere sostituito da un centro di assistenza autorizzato.



#### Mandrino per trapano senza chiave

Allentare il mandrino ruotandolo in senso antiorario fino a quando l'utensile può essere inserito. Infine, serrare il mandrino in senso orario fino al punto in cui l'utensile viene trattenuto saldamente.

#### Precauzioni per l'estrazione di polvere e trucioli

Le polveri di materiali come i rivestimenti contenenti piombo, alcuni tipi di legno, i minerali e alcuni tipi di metallo possono essere dannose per la salute. Il contatto o l'inalazione delle polveri possono causare reazioni allergiche e/o infezioni respiratorie dell'utente o degli astanti.

Alcune polveri, come quella di quercia o di faggio, sono considerate cancerogene, soprattutto in relazione agli additivi per il trattamento del legno (cromati, conservanti del legno). I materiali contenenti amianto possono essere lavorati solo da specialisti.

Garantire una buona ventilazione del luogo di lavoro.

Si raccomanda di indossare un respiratore di classe adeguata.

Osservare le norme vigenti nel proprio Paese per i materiali da lavorare.

- Evitare l'accumulo di polvere sul posto di lavoro. Prestare attenzione e tenere sempre presente che le polveri possono incendiarsi facilmente.

#### Istruzioni per l'uso

Osservare sempre le istruzioni di sicurezza e le norme vigenti.

Osservare e accertarsi della corretta tensione di rete!

La tensione della fonte di alimentazione deve corrispondere a quella indicata sulla targhetta della macchina/utensile.

#### Selezione del senso di rotazione

L'interruttore del senso di rotazione serve a invertire il senso di rotazione dell'elettrostrumento.

Assicurarsi di non utilizzare l'interruttore del senso di rotazione con l'interruttore On/Off attivato.

**Rotazione destra:** Per forare e avvitare le viti.

**Rotazione a sinistra:** Per allentare e svitare viti e dadi.

#### Commutazione di ON/OFF

- Per avviare l'elettrostrumento, premere l'interruttore On/Off e mantenerlo premuto.

Per bloccare l'interruttore On/Off premuto, premere il pulsante di blocco.

- Per spegnere l'apparecchio, rilasciare l'interruttore di accensione/spegnimento oppure, quando è bloccato con il pulsante di blocco, premere rapidamente l'interruttore di accensione/spegnimento e poi rilasciarlo.

#### Foratura a percussione (non disponibile in tutti i modelli)

Posizionare il selettore sulla posizione di foratura a percussione (simbolo del martello).

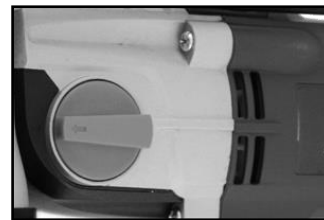
#### Regolazione della frequenza di velocità/impatto

La velocità/impatto può essere regolata in modo variabile, a seconda della pressione dell'interruttore On/Off.

Una leggera pressione sull'interruttore di accensione/spegnimento determina una bassa velocità/impatto. Una maggiore pressione sull'interruttore aumenterà la velocità/il tasso di impatto.

**Preselezione della velocità/frequenza d'impatto (non disponibile in tutti i modelli)**

La rotella può essere utilizzata per preselezionare la velocità dell'elettrotensile. La velocità/frequenza d'impatto richiesta può essere preselezionata anche durante il funzionamento. La velocità/frequenza di impatto necessaria dipende dal materiale e dalle condizioni di lavoro e può essere determinata solo attraverso prove pratiche.

**Selezione della marcia (non disponibile in tutti i modelli)**

Utilizzare il selettore di marcia per scegliere tra due marce.

**Ingranaggio I:** Gamma a bassa velocità; per lavorare con utensili di grande diametro o per l'inserimento di viti.

**Ingranaggio II:** Gamma ad alta velocità; per lavorare con utensili di piccolo diametro. Ruotare sempre il selettore di marcia nella direzione della freccia. Se non è possibile inserire completamente la marcia, ruotare il mandrino di azionamento con la punta del trapano ruotando leggermente il mandrino.

**Manutenzione**

L'elettrotensile Bormann è stato progettato per funzionare a lungo con una manutenzione minima.

**Lubrificazione**

L'elettrotensile non necessita di ulteriore lubrificazione.

**Pulizia**

Mantenere pulite e libere le fessure di ventilazione e pulire regolarmente l'alloggiamento con un panno morbido.

**Smaltimento**

L'elettrotensile, gli accessori e l'imballaggio devono essere smistati per essere riciclati in modo ecologico.

**Solo per i paesi dell'UE:**

Non smaltire gli utensili elettrici nei rifiuti domestici!

Secondo la Direttiva europea 2002/96/CE sui rifiuti di apparecchiature elettriche ed elettroniche e la sua implementazione nel diritto nazionale, gli elettrotensili non più utilizzabili devono essere raccolti separatamente e smaltiti in modo ecologicamente corretto.

## Εικονογράμματα Κινδύνου



Διπλή μόνωση



Φοράτε γυαλιά ή μάσκα ασφαλείας



Σημαντική πληροφορία!



Προσοχή  
Κίνδυνος!



Φοράτε ακουστικά προστασίας ή ωτοασπίδες



Για να μειώσετε τον κίνδυνο τραυματισμού, διαβάστε τις παρακάτω οδηγίες.



Φοράτε μάσκα προστασίας από την σκόνη

## Οδηγίες Ασφαλούς Χρήσης



Διαβάστε όλες τις προειδοποιητικές υποδείξεις. Αμέλειες κατά την τήρηση των προειδοποιητικών υποδείξεων μπορεί να προκαλέσουν ηλεκτροπληξία, κίνδυνο πυρκαγιάς ή/και σοβαρούς τραυματισμούς.

Ο ορισμός «Ηλεκτρικό εργαλείο» που χρησιμοποιείται στις προειδοποιητικές υποδείξεις αναφέρεται σε ηλεκτρικά εργαλεία που τροφοδοτούνται από το ηλεκτρικό δίκτυο (με ηλεκτρικό καλώδιο) καθώς και σε ηλεκτρικά εργαλεία που τροφοδοτούνται από μπαταρία (χωρίς ηλεκτρικό καλώδιο).



Φυλάξτε το εγχειρίδιο σε ένα ασφαλές σημείο για κάθε μελλοντική χρήση.

### 1) Ασφάλεια στο χώρο εργασίας

- α) Διατηρείτε τον χώρο εργασίας καθαρό και επαρκώς φωτισμένο. Η ακαταστασία και η ανεπαρκώς φωτισμένες περιοχές εργασίας μπορεί να οδηγήσουν σε ατυχήματα και τραυματισμό.
- β) Μην εργάζεστε με το ηλεκτρικό εργαλείο σε χώρους όπου υπάρχει κίνδυνος έκρηξης, στο οποίο υπάρχουν εύφλεκτα υγρά, αναθυμιάσεις, αέρια ή σκόνη. Τα ηλεκτρικά εργαλεία ενδέχεται να δημιουργήσουν σπινθηρισμό ο οποίος μπορεί να αναφλέξει τη σκόνη ή τις αναθυμιάσεις.
- γ) Όταν χρησιμοποιείτε το ηλεκτρικό εργαλείο κρατάτε τα παιδιά κι άλλα τυχόν παρευρισκόμενα άτομα σε ασφαλή απόσταση. Η απόσπαση της προσοχής μπορεί να οδηγήσει στην απώλεια ελέγχου του εργαλείου/μηχανήματος.

### 2) Ηλεκτρική ασφάλεια

- α) Το φισ του καλωδίου του ηλεκτρικού εργαλείου πρέπει να είναι συμβατό με την πρίζα. Δεν επιτρέπεται η οποιαδήποτε μετατροπή του φισ. Μη χρησιμοποιείτε αντάπτορες σε συνδυασμό με γειωμένα ηλεκτρικά εργαλεία. Τα ανέπαφα φισ και οι σωστές πρίζες μειώνουν τον κίνδυνο ηλεκτροπληξίας.
  - β) Αποφεύγετε την επαφή με γειωμένες επιφάνειες όπως είναι οι σωλήνες, τα θερμαντικά σώματα (καλοριφέρ), κουζίνες ή ψυγεία. Όταν το σώμα σας γειώνεται αυξάνεται ο κίνδυνος ηλεκτροπληξίας.
  - γ) Μην εκθέτετε τα μηχανήματα και τα εργαλεία στη βροχή ή την υγρασία. Η διείσδυση νερού σ' ένα ηλεκτρικό εργαλείο αυξάνει τον κίνδυνο ηλεκτροπληξίας.
  - δ) Μη χρησιμοποιείτε το ηλεκτρικό καλώδιο για να μεταφέρετε ή να μετακινήσετε το ηλεκτρικό εργαλείο, ή για να βγάλετε το φισ από την πρίζα. Κρατάτε το ηλεκτρικό καλώδιο μακριά από υπερβολικές θερμοκρασίες, κοφτερές ακμές και/ή από κινητά εξαρτήματα. Τυχόν χαλασμένα ή περιπλεγμένα ηλεκτρικά καλώδια αυξάνουν τον κίνδυνο ηλεκτροπληξίας.
  - ε) Όταν εργάζεστε μ' ένα ηλεκτρικό εργαλείο σε εξωτερικό χώρο, χρησιμοποιείτε καλώδια προέκτασης (μπαλαντζές) που είναι κατάλληλα και για χρήση σε εξωτερικούς χώρους. Η χρήση καλωδίων προέκτασης κατάλληλων για εξωτερικούς χώρους ελαττώνει τον κίνδυνο ηλεκτροπληξίας.
  - στ) Όταν η χρήση του ηλεκτρικού εργαλείου σε περιβάλλοντα με υγρασία είναι αναπόφευκτη, τότε χρησιμοποιήστε έναν διακόπτη προστασίας διαρροής (διακόπτη RCD).
- Η χρήση ενός διακόπτη προστασίας διαρροής ελαττώνει τον κίνδυνο ηλεκτροπληξίας.

### 3) Προσωπική ασφάλεια

- α) Να είστε πάντοτε προσεκτικοί, να δίνετε προσοχή στην εργασία που εκτελείτε και να χειρίζεστε το μηχάνημα με σύνεση. Δεν επιτρέπεται η χρήση του εργαλείου από τον χειριστή όταν υπάρχουν ενδείξεις κόπωσης, ή όταν βρίσκεται υπό την επιρροή ναρκωτικών, αλκοόλ ή φαρμακευτικών ουσιών. Ένα στιγμιαίο λάθος κατά το χειρισμό του ηλεκτρικού εργαλείου μπορεί να οδηγήσει σε σοβαρό τραυματισμό.
- β) Φοράτε κατάλληλο εξοπλισμό ατομικής προστασίας. Επιλέξτε τον κατάλληλο εξοπλισμό προστασίας όπως είναι μια μάσκα προστασίας από την σκόνη, τα αντιολισθητικά υποδήματα ασφαλείας, το κράνος προστασίας και τα ακουστικά προστασίας ή οι ωτοασπίδες, ανάλογα με το εκάστοτε εργαλείο και τη χρήση του, έτσι ώστε να μειωθεί ο κίνδυνος τραυματισμού.

γ) Προστατευθείτε από την ακούσια εκκίνηση.

Βεβαιωθείτε ότι το ηλεκτρικό εργαλείο έχει απενεργοποιηθεί πριν το συνδέσετε με το ηλεκτρικό δίκτυο ή με την μπαταρία του όπως επίσης και πριν το μεταφέρετε. Όταν μεταφέρετε το ηλεκτρικό εργαλείο ακουμπώντας το δάχτυλό σας στο διακόπτη ON/OFF ή όταν συνδέσετε το εργαλείο με την πηγή ρεύματος όταν αυτό είναι ενεργοποιημένο, τότε δημιουργείται κίνδυνος τραυματισμού.

δ) Αφαιρείτε από τα ηλεκτρικά εργαλεία τυχόν εργαλεία ρύθμισης πριν θέσετε το ηλεκτρικό εργαλείο σε λειτουργία. Ένα εργαλείο ρύθμισης που βρίσκεται συνδεδεμένο σ' ένα κινούμενο τμήμα μπορεί να οδηγήσει σε τραυματισμό.

ε) Μην υπερεκτιμάτε τις ικανότητές σας. Επιλέξτε μια σωστή στάση του σώματος και διατηρείτε πάντοτε την ισορροπία σας έτσι ώστε να είστε σε θέση να αντιμετωπίσετε απροσδόκητες περιστάσεις.

στ) Ντυθείτε με τα κατάλληλα ενδύματα. Μη φοράτε ρούχα με χαλαρή εφαρμογή ή κοσμήματα. Κρατήστε τα μαλλιά σας, τα ρούχα σας και τα γάντια σας σε ασφαλή απόσταση από τα κινούμενα εξαρτήματα.

Τα χαλαρά ενδύματα, τα κοσμήματα ή τα μακριά μαλλιά μπορεί να εμπλακούν στα κινούμενα εξαρτήματα του εργαλείου.

ζ) Όταν υπάρχει η δυνατότητα σύνδεσης ενός συστήματος συλλογής σκόνης, βεβαιωθείτε ότι τα όλα τα εξαρτήματα και οι συνδέσεις εφαρμόζουν σωστά. Η χρήση ενός συστήματος αναρρόφησης - συλλογής της σκόνης μπορεί να μειώσει τον κίνδυνο που προκαλείται από τη σκόνη.

#### 4) Ορθότητα χειρισμού και συντήρηση ηλεκτρικών εργαλείων

α) Μην υπερφορτώνετε το εργαλείο. Χρησιμοποιείτε το ανάλογο ηλεκτρικό εργαλείο που προορίζεται για την εκτέλεση της εκάστοτε εργασίας. Με το εργαλείο αυτό θα μπορείτε να εργάζεστε καλύτερα και ασφαλέστερα εντός του επιπέδου ικανοτήτων και απόδοσής του.

β) Μη χρησιμοποιήσετε ποτέ ένα εργαλείο που έχει διακόπτη ο οποίος δεν λειτουργεί σωστά. Ένα ηλεκτρικό εργαλείο το οποίο δεν μπορείτε πλέον να ενεργοποιήσετε ή/και να απενεργοποιήσετε είναι επικίνδυνο και πρέπει να παραδοθεί προς επισκευή.

γ) Αποσυνδέστε το φως τροφοδοσίας από την πρίζα και/ή αποσυνδέστε την μπαταρία πριν εκτελέσετε στο εργαλείο οποιαδήποτε εργασία ρύθμισης, πριν αντικαταστήσετε ένα εξάρτημα ή όταν πρόκειται να αποθηκεύσετε το εργαλείο. Αυτά τα μέτρα πρόληψης μειώνουν τον κίνδυνο από τυχόν ακούσια εκκίνηση του ηλεκτρικού εργαλείου.

δ) Αποθηκεύστε τα ηλεκτρικά εργαλεία όταν δεν πρόκειται να χρησιμοποιηθούν σε μη προσβάσιμο σημείο από τα παιδιά. Δεν επιτρέπεται η χρήση του εργαλείου από άτομα που δεν έχουν εξοικειωθεί με την χρήση του ή δεν έχουν διαβάσει τις οδηγίες του εγχειριδίου του. Τα ηλεκτρικά εργαλεία είναι επικίνδυνα όταν χρησιμοποιούνται από άτομα που δεν έχουν εμπειρία χρήσης στα συγκεκριμένα εργαλεία και στις λειτουργίες τους.

ε) Χειριστείτε προσεκτικά το ηλεκτρικό εργαλείο. Ελέγχετε, αν τα κινούμενα τμήματα λειτουργούν σωστά, αν υπάρχει κάποιο μπλοκάρισμα, ή αν έχουν σπάσει σε κάποιο σημείο ή φθαρεί εξαρτήματα τα οποία ενδέχεται να επηρεάσουν την λειτουργία του ηλεκτρικού εργαλείου. Παραδώστε το εργαλείο για επισκευή πριν το επαναχρησιμοποιήσετε. Η λανθασμένη ή μερική συντήρηση των ηλεκτρικών εργαλείων αποτελεί αιτία πολλών ατυχημάτων.

στ) Διατηρείτε τα εργαλεία κοπής αιχμηρά και σε καλή κατάσταση. Τα επαρκώς συντηρημένα κοπτικά εργαλεία είναι πιο δύσκολο να μπλοκαρισθούν και έχουν μεγαλύτερη ακρίβεια.

ζ) Χρησιμοποιείτε όλα τα τμήματα του εξοπλισμού και το ίδιο το εργαλείο σύμφωνα με τις οδηγίες του εγχειριδίου. Λαμβάνετε επίσης υπόψη σας τους εξωτερικούς παράγοντες και τις συνθήκες της εκάστοτε εργασίας.

Η χρήση των ηλεκτρικών εργαλείων για εργασίες άλλες από τις προβλεπόμενες μπορεί να δημιουργήσει επικίνδυνες καταστάσεις.

#### 5) Service

α) Παραδώστε το ηλεκτρικό εργαλείο για επισκευή σε ένα εξουσιοδοτημένο τμήμα Service επιλέγοντας γνήσια ανταλλακτικά.

Έτσι εξασφαλίζετε τη διατήρηση της ασφάλειας του εργαλείου.

\*Ο κατασκευαστής διατηρεί το δικαίωμα να πραγματοποιήσει δευτερεύουσες αλλαγές στο σχεδιασμό του προϊόντος και στα τεχνικά χαρακτηριστικά χωρίς προηγούμενη ειδοποίηση, εκτός εάν οι αλλαγές αυτές επηρεάζουν σημαντικά την απόδοση και λειτουργία ασφάλειας των προϊόντων. Τα εξαρτήματα που περιγράφονται / απεικονίζονται στις σελίδες του εγχειριδίου που κρατάτε στα χέρια σας ενδέχεται να αφορούν και σε άλλα μοντέλα της σειράς προϊόντων του κατασκευαστή, με παρόμοια χαρακτηριστικά, και ενδέχεται να μην περιλαμβάνονται στο προϊόν που μόλις αποκτήσατε.

\* Για να διασφαλιστεί η ασφάλεια και η αξιοπιστία του προϊόντος καθώς και η ισχύς της εγγύησης όλες οι εργασίες επιδιόρθωσης, ελέγχου, επισκευής ή αντικατάστασης συμπεριλαμβανομένης της συντήρησης και των ειδικών ρυθμίσεων, πρέπει να εκτελούνται μόνο από τεχνικούς του εξουσιοδοτημένου τμήματος Service του κατασκευαστή.

\* Χρησιμοποιείτε πάντα το προϊόν με τον παρεχόμενο εξοπλισμό. Η λειτουργία του προϊόντος με μη-προβλεπόμενο εξοπλισμό ενδέχεται να προκαλέσει βλάβη ή ακόμα και σοβαρό τραυματισμό ή θάνατο. Ο κατασκευαστής και ο εισαγωγέας ουδέμια ευθύνη φέρει για τραυματισμούς και βλάβες που προκύπτουν από την χρήση μη προβλεπόμενου εξοπλισμού.



## Ειδικές Συμβουλές Ασφαλείας

Φοράτε ακουστικά προστασίας της ακοής ή ωτασπίδες όταν χρησιμοποιείτε ηλεκτρικά δράπανα. Η έκθεση σε μεγάλα επίπεδα θορύβου μπορεί να οδηγήσει σε απώλεια της ακοής.

Χρησιμοποιείτε πάντοτε τις δευτερεύουσες βοηθητικές χειρολαβές που συνοδεύουν το ηλεκτρικό εργαλείο. Είναι πολύ βασικό να γνωρίζεται ότι η απώλεια του ελέγχου του ηλεκτρικού εργαλείου μπορεί να οδηγήσει σε τραυματισμό.

Χρησιμοποιείτε έναν κατάλληλο ανιχνευτή για να εντοπίσετε τυχόν μη ορατές καλωδιώσεις ή συμβουλευτείτε τη τοπική επιχείρηση παροχής ενέργειας για περισσότερες πληροφορίες.

Η επαφή με καλώδια μεταφοράς ηλεκτρικού ρεύματος μπορεί να οδηγήσει σε πυρκαγιά και ηλεκτροπληξία.

Η πρόκληση φθοράς σε αγωγούς παροχής αερίου (γκαζιού) μπορεί να προκαλέσει έκρηξη. Η αθέλητη διάτρηση σωληνώσεων ύδρευσης μπορεί να προκαλέσει υλικές ζημιές.

Διακόψτε αμέσως τη λειτουργία του ηλεκτρικού εργαλείου σε περίπτωση μπλοκαρίσματος. Να είστε πάντοτε σε ετοιμότητα ώστε να είστε σε θέση να αντιμετωπίσετε τις υψηλές ροπές και τις αντιδράσεις που μπορεί να προκαλέσουν κλότσημα. Το εργαλείο μπορεί να μπλοκαριστεί όταν:

- το ηλεκτρικό εργαλείο υπερφορτώνεται ή
- το κοπτικό εργαλείο παγιδευτεί μέσα στο υπό κατεργασία τεμάχιο.

Κρατάτε το ηλεκτρικό εργαλείο μόνο από τις ειδικά μονωμένες επιφάνειές του, όταν εκτελείτε εργασίες στις οποίες υπάρχει κίνδυνος το εργαλείο που χρησιμοποιείτε να έρθει σε επαφή με ηλεκτροφόρα καλώδια ή το καλώδιο τροφοδοσίας του. Η επαφή μ' ένα ηλεκτροφόρο καλώδιο μεταφέρει τον ηλεκτρισμό στα αγώγιμα μεταλλικά τμήματα του ηλεκτρικού εργαλείου και οδηγεί έτσι σε ηλεκτροπληξία.

Κατά την εκτέλεση της εργασίας κρατάτε το ηλεκτρικό εργαλείο καλά και με τα δυο σας χέρια και επιλέξτε μια σωστή στάση σώματος. Μπορείτε να χειριστείτε με μεγαλύτερη ασφάλεια το ηλεκτρικό εργαλείο όταν το κρατάτε και με τα δυο σας χέρια.

Σταθεροποιήστε καλά το τεμάχιο κατεργασίας. Τα τεμάχια κατεργασίας μπορούν να σταθεροποιηθούν με μεγαλύτερη ασφάλεια με την χρήση μέσων σύσφιξης ή με μια μέγνηση σε αντίθεση με την ικανότητα συγκράτησης του χεριού σας.

Διατηρείτε πάντα καθαρό το χώρο εργασίας. Τα υπολείμματα ορισμένων υλικών, εφόσον ενωθούν είναι ιδιαίτερος επικίνδυνα. Η σκόνη που προέρχεται από την λείανση ελαφρών μετάλλων ενδέχεται να αναφλεχθεί ή να εκραγεί.

Πριν αφήσετε το ηλεκτρικό εργαλείο σε κάποια επιφάνεια περιμένετε πρώτα να σταματήσει εντελώς να κινείται. Το τοποθετημένο εργαλείο μπορεί να εμπλακεί με την επιφάνεια ή με κάποιο άλλο αντικείμενο και να οδηγήσει στην απώλεια του ελέγχου του εργαλείου.

Μη χρησιμοποιήσετε το ηλεκτρικό εργαλείο σε περίπτωση που το καλώδιο τροφοδοσίας του είναι χαλασμένο. Μην ακουμπήσετε το χαλασμένο καλώδιο, αποσυνδέστε το φιν τροφοδοσίας από την πρίζα σε περίπτωση που το καλώδιο υποστεί βλάβη/χαλάσει κατά τη διάρκεια της εργασίας σας. Τα καλώδια που έχουν υποστεί κάποια βλάβη αυξάνουν τον κίνδυνο ηλεκτροπληξίας.

## Προβλεπόμενη χρήση

Το μηχάνημα προορίζεται για την διάτρηση ξύλινων, μεταλλικών και πλαστικών επιφανειών.

Τα εργαλεία με ηλεκτρονική σκανδάλη και έλεγχο της κατεύθυνσης περιστροφής είναι επίσης κατάλληλα για βίδωμα και ξεβίδωμα καθώς και για την διαμόρφωση σπειρωμάτων.

Τα εργαλεία που είναι εξοπλισμένα με μηχανισμό κρούσης είναι κατάλληλα για την διάτρηση τούβλου, σκυροδέματος και πέτρας.

## Περιγραφή τμημάτων και εξαρτημάτων

Η ακόλουθη αρίθμηση αναφέρεται στην απεικόνιση του εργαλείου που θα βρείτε στην σελίδα 2.	
1	Ταχυτσόκ (Αυτόματο τσόκ) *
2	Διακόπτης ON/OFF
3	Δακτύλιος προεπιλογής ταχύτητας περιστροφής*
4	Πλήκτρο κλειδώματος διακόπτη ON/OFF (συνεχούς λειτουργίας)
5	Διακόπτης αλλαγής κατεύθυνσης περιστροφής
6	Διακόπτης ενεργοποίησης/απενεργοποίησης λειτουργίας κρούσης*
7	Βοηθητική - Δευτερεύουσα χειρολαβή*
8	Στοπ βάθους διάτρησης*
9	Επιλογέας ταχύτητας κιβωτίου ταχυτήτων*
10	Τσόκ με κλειδί*
11	Κλειδί σύσφιξης του τσόκ*



\*Τα εξαρτήματα που απεικονίζονται ή περιγράφονται ενδέχεται να μην αποτελούν μέρος της συγκεκριμένης έκδοσης.



## Τεχνικά Χαρακτηριστικά

Μοντέλο	BID4500	BID6500	BID9200	BID1300
Όνομ.Τάση:	230V / 120V	230V	230V	230V
Όνομ.Συχνότητα:	50Hz / 60Hz	50Hz	50Hz	50Hz
Ισχύς εισόδου:	400w	650w	920w	1200w
Ταχύτητα χωρίς φορτίο:	0-4200rpm	0-2850rpm	0-3000rpm	0-1200rpm / 0-3000rpm
Τύπος τσόκ:	Αυτόματο 10mm	Αυτόματο 13mm	Αυτόματο 13mm	Αυτόματο 13mm

### Ηλεκτρική Ασφάλεια

Ο ηλεκτροκινητήρας έχει σχεδιαστεί μόνο για μια συγκεκριμένη τάση. Ελέγχετε πάντα εάν η τροφοδοσία ρεύματος αντιστοιχεί έχει την ανάλογη τάση όπως αναγράφεται στην πινακίδα τεχνικών χαρακτηριστικών του εργαλείου.

### Οδηγίες Συναρμολόγησης - Βασικές Ρυθμίσεις



Διαβάστε τις οδηγίες του εγχειριδίου προτού χρησιμοποιήσετε το ηλεκτρικό εργαλείο.

#### Δευτερεύουσα - βοηθητική χειρολαβή (δεν περιλαμβάνεται σε όλα τα μοντέλα)

Χρησιμοποιήστε το ηλεκτρικό σας εργαλείο μόνο με τη βοηθητική χειρολαβή.

Η βοηθητική χειρολαβή μπορεί να ρυθμιστεί σε οποιαδήποτε θέση έτσι ώστε να εκτελεστεί η εργασία εύκολα και με ασφάλεια.

Περιστρέψτε τη λαβή ή τον αντίστοιχο σφιγκτήρα αριστερόστροφα για να την ξεσφίξετε και έπειτα ρυθμίστε την στην επιθυμητή θέση. Στη συνέχεια, σφίξτε τη χειρολαβή ή τον σφιγκτήρα γυρίζοντας την/τον δεξιόστροφα.



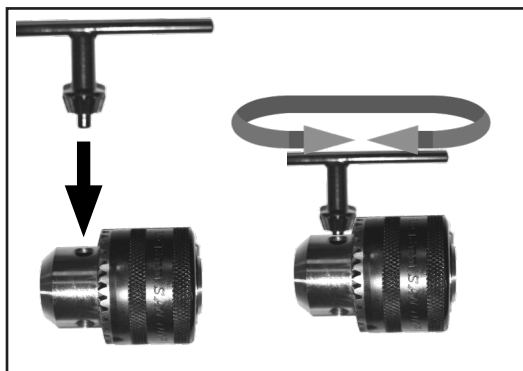
#### Ρύθμιση του βάθους διάτρησης (δεν διατίθεται σε όλα τα μοντέλα)

Το απαιτούμενο βάθος διάτρησης μπορεί να ρυθμιστεί χρησιμοποιώντας το στοπ βάθους διάτρησης.

Γυρίστε τη χειρολαβή αριστερόστροφα, για να την ξεσφίξετε ή πιέστε το κουμπί και έπειτα εισαγάγετε την ράβδο στην χειρολαβή.

Τραβήξτε προς τα έξω την ράβδο έως ότου η απόσταση μεταξύ του άκρου του τρυπανιού και του άκρου της ράβδου να αντιστοιχεί στο επιθυμητό βάθος διάτρησης.

Σφίξτε τη λαβή ή απελευθερώστε το κουμπί για να ασφαλίσετε το στοπ βάθους διάτρησης στην προεπιλεγμένη θέση.



#### Τσόκ με κλειδί (δεν διατίθεται σε όλα μοντέλα)

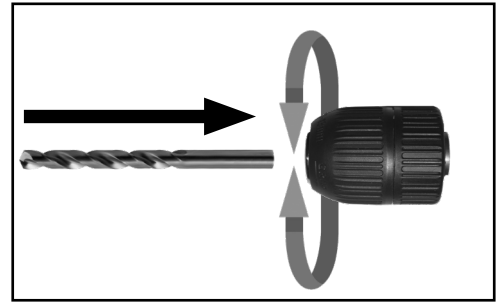
Ανοίξτε το τσόκ στρέφοντας το αριστερόστροφα μέχρι να εισαχθεί το εργαλείο. Τοποθετήστε το εργαλείο. Εισαγάγετε το κλειδί του τσόκ στις αντίστοιχες οπές του τσόκ και σφίξτε το τσόκ ομοιόμορφα.

#### Αντικατάσταση του τσόκ

- Χειριστείτε προσεκτικά τα εργαλεία που δεν διαθέτουν σύστημα κλειδώματος του άξονα. Πριν τη συναρμολόγηση ή την αποσυναρμολόγηση αποσυνδέστε πάντα το φιν τροφοδοσίας από την πρίζα. Το τσόκ πρέπει να αντικαθίσταται από ένα εξουσιοδοτημένο κέντρο σέρβις.

### Αυτόματο τσόκ

Ξεσφίξτε το τσόκ στρέφοντας το αριστερόστροφα μέχρι να μπορέσετε να τοποθετήσετε το εργαλείο. Στη συνέχεια, σφίξτε το τσόκ δεξιόστροφα μέχρι το σημείο στο οποίο το εργαλείο σταθεροποιείται καλά.



### Προειδοποιήσεις προστασίας από την σκόνη και τα ρινίσματα

Οι σκόνες από υλικά που εμπεριέχονται σε κάποιες επιστρώσεις που περιέχουν μόλυβδο, σε ορισμένους τύπους ξύλου, ορυκτά και μερικούς τύπους μετάλλων μπορεί να είναι επιβλαβείς για την υγεία. Η επαφή ή η εισπνοή σκόνης μπορεί να προκαλέσει αλλεργικές αντιδράσεις και / ή να οδηγήσει σε αναπνευστικές λοιμώξεις του χειριστή ή των παρευρισκομένων. Ορισμένες σκόνες, όπως η σκόνη της δρυός ή της οξιάς, θεωρούνται καρκινογόνες, ειδικά όταν έχουν εμπλουτιστεί με πρόσθετα ή έχουν υποστεί κατεργασία (χρωμικό, συντηρητικά ξύλου). Τα υλικά που περιέχουν αμιάντο επιτρέπεται να χρησιμοποιούνται μόνο από εξειδικευμένους χειριστές.

Εξασφαλίστε καλό εξαερισμό στο χώρο εργασίας.

Συνιστάται να φοράτε κατάλληλη μάσκα κατά της σκόνης με ειδικό φίλτρο.

Τηρείτε τους σχετικούς κανονισμούς της χώρας σας για τα υλικά που πρόκειται να επεξεργαστούν.

- Αποφύγετε τη συσσώρευση σκόνης στο χώρο εργασίας. Να είστε προσεκτικοί και πάντα να έχετε κατά νου ότι οι σκόνες μπορούν εύκολα να αναφλεγούν.

### Οδηγίες Λειτουργίας

Τηρείτε πάντα τις οδηγίες ασφαλείας και τους ισχύοντες κανονισμούς.

Ελέγξτε και βεβαιωθείτε ότι η τάση του δικτύου είναι κατάλληλη για την λειτουργία του εργαλείου!

Η τάση του δικτύου πρέπει να συμφωνεί με την τάση που καθορίζεται στην πινακίδα τεχνικών χαρακτηριστικών του μηχανήματος / ηλεκτρικού εργαλείου.

### Επιλέγοντας την κατεύθυνση περιστροφής

Ο διακόπτης κατεύθυνσης περιστροφής χρησιμοποιείται για να αντιστρέψει την κατεύθυνση περιστροφής του ηλεκτρικού εργαλείου.

Βεβαιωθείτε ότι δεν χρησιμοποιείτε τον διακόπτη κατεύθυνσης περιστροφής ταυτόχρονα με τον διακόπτη ενεργοποίησης / απενεργοποίησης.

**Δεξιά περιστροφή:** Για διάτρηση και βίδωμα.

**Αριστερή περιστροφή:** Για να χαλαρώσετε και να ξεβιδώσετε τις βίδες και τα παξιμάδια.

### Ενεργοποίηση / απενεργοποίηση (ON - OFF)

- Για να ενεργοποιήσετε το ηλεκτρικό εργαλείο, πιέστε και κρατήστε πατημένο το διακόπτη ON / OFF.

Για να ασφαλίσετε τον ενεργοποιημένο διακόπτη ON/ OFF επιλέγοντας συνεχή λειτουργία, πατήστε το κουμπί ασφάλισης του διακόπτη.

- Για να απενεργοποιήσετε το ηλεκτρικό εργαλείο, απελευθερώστε το διακόπτη ON / OFF ή σε περίπτωση που έχετε ασφαλίσει τον διακόπτη σε συνεχή λειτουργία, πιέστε απότομα το διακόπτη ON / OFF και στη συνέχεια απελευθερώστε τον.

### Λειτουργία Κρούσης (δεν διατίθεται σε όλα τα μοντέλα)

Ρυθμίστε το διακόπτη επιλογής στη θέση διάτρησης (σύμβολο σφυριού).

### Ρύθμιση της συχνότητας ταχύτητας / πρόσκρουσης

Η ταχύτητα και η συχνότητα των κρούσεων μπορεί να ρυθμιστεί μεταβλητά, ανάλογα με τον βαθμό που πιέζεται ο διακόπτης ON / OFF.

Η ελαφριά πίεση στον διακόπτη ON / OFF θα δώσει χαμηλή ταχύτητα / κρούση. Η περαιτέρω πίεση στον διακόπτη θα αυξήσει την ταχύτητα και τον βαθμό κρούσεων.

### Προεπιλογή της ταχύτητας / συχνότητας κρούσεων (δεν διατίθεται σε όλα τα μοντέλα)

Οι επιλογές του μηχανισμού μπορεί να χρησιμοποιηθεί για την προεπιλογή της ταχύτητας του ηλεκτρικού εργαλείου.

Η απαιτούμενη ταχύτητα / συχνότητα κρούσεων μπορεί να επιλεγεί ακόμα και κατά τη διάρκεια της λειτουργίας του εργαλείου.

Η κατάλληλη ταχύτητα / συχνότητας κρούσεων εξαρτάται από τον τύπο του υλικού κατεργασίας και τις συνθήκες εργασίας.

και μπορεί να προσδιοριστεί μόνο με πρακτικές δοκιμές.

#### Επιλογή ταχύτητας του κιβωτίου ταχυτήτων (δεν διατίθεται σε όλα τα μοντέλα)

Χρησιμοποιήστε το επιλογέα ταχυτήτων για να επιλέξετε ανάμεσα σε δύο ταχύτητες.

**Ταχύτητα I:** Χαμηλή ταχύτητα. Για εργασίες με εργαλεία διάτρησης μεγάλης διαμέτρου ή για το βίδωμα κοχλιών.

**Ταχύτητα II:** Υψηλή ταχύτητα. Για εργασίες με εργαλεία διάτρησης μικρής διαμέτρου.

Στρέψτε πάντα το επιλογέα ταχυτήτων προς την κατεύθυνση του βέλους. Εάν το γρανάζι του κιβωτίου δεν μπορεί να εμπλακεί επιτυχώς, περιστρέψτε τον άξονα κίνησης με το τρυπάνι στρέφοντας ελαφρά το τσόκ.



### Συντήρηση

Το ηλεκτρικό εργαλείο της Bormann έχει σχεδιαστεί για να λειτουργεί για μεγάλο χρονικό διάστημα χωρίς να απαιτείται εντατική συντήρηση.

#### Λίπανση

Το ηλεκτρικό σας εργαλείο δεν απαιτεί πρόσθετη λίπανση για την λειτουργία του.

#### Καθαρισμός

Διατηρήστε τις σπές αερισμού - ψύξης καθαρές και καθαρίστε τακτικά το περίβλημα χρησιμοποιώντας ένα μαλακό πανί.

### Απόρριψη - Ανακύκλωση

Το ηλεκτρικό εργαλείο, καθώς και τα εξαρτήματα και η συσκευασία του πρέπει να απορρίπτονται με φιλικό προς το περιβάλλον τρόπο για ανακύκλωση.



#### Μόνο για τις χώρες της ΕΕ:

Μην απορρίπτεται τα ηλεκτρικά εργαλεία μαζί με τα οικιακά απορρίμματα!

Σύμφωνα με την Ευρωπαϊκή Οδηγία 2002/96/ΕΚ για τα Απόβλητα Ηλεκτρικού και Ηλεκτρονικού Εξοπλισμού και την εφαρμογή της στο εθνικό δίκαιο, τα ηλεκτρικά εργαλεία που δεν είναι πλέον χρησιμοποιήσιμα πρέπει να συλλέγονται ξεχωριστά και να απορρίπτονται με περιβαλλοντικά ορθό τρόπο.

## Пиктограми - предупредителни етикети



Двойна  
изолация



Носете предпазни  
очила оборудване



Важна информация



Предупреждение!



Носете защита на ушите  
оборудване



Носете маска за прах



За да намалите риска от нараняване, моля, прочетете  
следните инструкции.

## Общи правила за безопасност



**ПРЕДУПРЕЖДЕНИЕ!** Прочетете всички инструкции, неспазването на всички инструкции, изброени по-долу, може да доведе до токов удар, пожар и/или сериозно нараняване. Терминът "електроинструмент" във всички изброени по-долу предупреждения се отнася до вашия електроинструмент, работещ от мрежата (с кабел), или електроинструмент, работещ с батерия (с акумулатор).



**МОЛЯ, СЪХРАНЯВАЙТЕ РЪКОВОДСТВОТО ЗА ЕКСПЛОАТАЦИЯ НА СИГУРНО МЯСТО**

### Безопасност на работното място

- Моля, поддържайте работната зона чиста и добре осветена. Тъмните или затрупани места могат да доведат до инциденти.
- Не работете с електроинструменти във взривоопасна атмосфера, например в присъствието на запалими течности или изпарения, газове или прах. Електрическите инструменти могат да предизвикат искри, които да възпламенят газовете или изпаренията.
- Моля, дръжте децата и околните на безопасно разстояние, докато работите с електроинструмента.

### Електрическа безопасност

- Уверете се, че щепселите на електроинструментите съответстват на контакта. Никога не модифицирайте щепсела по какъвто и да е начин. Не използвайте адаптерни щепсели със заземени електроинструменти. Използването на немодифицирани щепсели и съответстващи контакти ще намали риска от токов удар и други наранявания.
- Избягвайте контакт на тялото със заземени материали или предмети, като например радиатори, тръби, печки и хладилници. Съществува огромен риск от токов удар, ако тялото ви е заземено или заземено.
- Не излагайте електроинструментите на дъжд или други влажни условия. Навлизането на вода в електроинструмента може да увеличи риска от токов удар.
- Не злоупотребявайте със захранващия кабел. Никога не използвайте кабела за пренасяне, дърпане или изключване на електрическия инструмент. Съхранявайте кабела на безопасно разстояние от топлина, масло, остри ръбове и всякакви движещи се части. Повредените или заплетени шнурове ще увеличат риска от токов удар.
- Когато работите с електрически инструмент на открито, използвайте удължител с подходящи спецификации за използване на открито. Използването на удължител, подходящ за употреба на открито, намалява риска от токов удар.
- Ако не може да се избегне работа с електроинструмент на влажно място, използвайте захранване, защитено от устройство за защита от остатъчен ток (RCD). Използването на RCD намалява риска от токов удар.

### Лична безопасност

- Бъдете нащрек, внимавайте какво правите и използвайте здрав разум, когато работите с електроинструмент. Не използвайте електроинструмент, докато се чувствате уморени или сте под въздействието на алкохол, наркотици или лекарства. Момент на невнимание по време на работа с електроинструмент може да доведе до сериозно нараняване.
- Моля, използвайте лични предпазни средства. Винаги носете предпазни очила. Защитното оборудване, като например маска за прах или защита на слуха, нехлъзгащи се предпазни обувки или защитни каски, използвани при подходящи условия, ще намалят личните наранявания.
- Предотвратяване на непреднамерено стартиране. Уверете се, че превключвателят на захранването е в изключено положение, преди да свържете към източника на захранване и/или акумулаторната батерия, да вдигнете или пренесете електроинструмента. Пренасянето на електроинструменти с пръст върху превключвателя на захранването или включването на електроинструменти, които са с превключвател във включено положение, приканва към злополуки.
- Преди да включите електроинструмента, извадете всички регулиращи ключове или гаечни ключове. Инструмент, оставен прикрепен към въртяща се част на електроинструмента, може да доведе до нараняване на хора.
- Не прекалявайте. Поддържайте равновесие и правилна стойка през цялото време. Това помага за по-добър контрол върху електроинструмента в неочаквани ситуации.
- Облечете се подходящо. Не носете свободни дрехи или бижута. Дръжте косата, дрехите и ръкавиците си далеч от движещите се части. Свободните дрехи, бижутата и/или дългата коса могат да бъдат захванати от движещите се части.

### Използване на електрически инструменти и грижи

- Моля, не използвайте сила в електроинструмента. Използвайте подходящия електроинструмент за всяко приложение. Правилният електроинструмент винаги ще да върши работата си по-добре и по-безопасно, когато се използва със скоростта, за която е проектиран.

b) Не използвайте електроинструмента, ако превключвателят не го активира или деактивира. Всеки електроинструмент, който не може да се управлява с превключвателя, е изключително опасен и трябва да се ремонтира.

c) Преди да сменяте аксесоари, да извършвате каквито и да било настройки или да съхранявате електроинструменти, изключете главния щепсел от източника на захранване и/или акумулаторната батерия от електроинструмента. Тези превантивни мерки за безопасност ще намалят риска от случайно стартиране на електроинструмента.

d) Съхранявайте неработещите електроинструменти на място, недостъпно за деца, и не позволявайте на лица, които не са запознати с електроинструмента или с тези инструкции, да използват и работят с него.

Електрическите инструменти са изключително опасни в ръцете на необучени потребители.

e) Поддържане на електрически инструменти. Проверявайте за несъсност или обвързване на движещите се части, счупване на части, течове и всякакви други условия, които могат да повлияят на работата на електроинструмента. Ако е повреден, поправете електроинструмента преди да го използвате. Много злополуки и наранявания са причинени от лошо поддържани електрически инструменти.

f) Поддържайте всички режещи инструменти остри и чисти. Правилно поддържаните режещи инструменти с остри режещи ръбове е по-малко вероятно да се заклеят и са по-прецизни и по-лесни за управление.

g) Винаги използвайте електроинструмента, аксесоарите, крайниците и др. в съответствие с инструкциите в това ръководство за експлоатация, като се съобразявате с условията на работа и извършваната работа.

Използването на електроинструмента за приложения, различни от предвидените, може да доведе до опасна ситуация.

### Услуга

a) Възложете сервизното обслужване на електроинструмента на квалифициран сервизен техник, като използвате само идентични резервни части. Това ще гарантира, че безопасността на електроинструмента е запазена.

### Предупреждения за безопасност, специфични за машината

Винаги носете защита на слуха, когато използвате ударни бормашини или други подобни електроинструменти. Влиянието на шума може да доведе до загуба на слуха.

Винаги използвайте спомагателната дръжка, доставена с електроинструмента/машината. Загубата на контрол може да доведе до телесни наранявания.

Използвайте подходящи детектори, за да определите дали в работната зона има скрити комунални линии, или се обадете на местната компания за комунални услуги за съдействие. Контактът с електрически линии може да доведе до пожар и/или токов удар. Повреждането на газопровод може да доведе до експлозия. Проникването във водопроводна тръба може да доведе до материални щети или дори до токов удар.

Не забравяйте да изключите електроинструмента незабавно, когато битовите на електроинструмента заседнат.

Бъдете подготвени за висок въртящ момент на реакцията, който може да предизвика откат.

Битото на инструмента се задръства, когато:

a) електроинструментът е подложен на претоварване или

b) се заклежда в обработвания детайл.

Дръжте електроинструмента само за изолираните повърхности за захващане, когато извършвате операция, при която режещият инструмент може да влезе в контакт със скрити кабели или със собствения си захранващ кабел. Контактът с проводник "под напрежение" също ще направи всички открити метални части на електроинструмента "под напрежение" и ще доведе до токов удар за оператора.

Когато работите с електроинструмента, винаги го дръжте здраво с двете си ръце и осигурете сигурна стойка.

Електроинструментът се контролира по-ефективно с двете ръце.

Закрепете обработвания детайл. Детайл, захванат със скоба или с приспособления за захващане, се държи по-сигурно, отколкото с ръка. Поддържайте работното си място чисто. Смесите от материали са изключително опасни. Прахът от леките сплави може да изгори или да се възпламени.

Проверявайте за повреди по инструмента, както и по всички части или принадлежности, които може да са възникнали по време на транспортирането.

Отделете време, за да прочетете внимателно и да се запознаете с това ръководство преди да започнете работа.

### Предназначение

Машината е предназначена за пробиване в дървени, метални и пластмасови повърхности.

Машините с електронно управление и дясно/ляво въртене са подходящи и за завинтване и рязане на резби.

Машините с ударна функция са подходящи за пробиване в тухли, бетон и камък.

\* Производителят си запазва правото да прави незначителни промени в дизайна и техническите спецификации на продуктите без предварително уведомление, освен ако тези промени не засягат значително работата и безопасността на продуктите. Частите, описани/илюстрирани на страниците на ръководството, което държите в ръцете си, може да се отнасят и за други модели от продуктова линия на производителя с подобни характеристики и може да не са включени в току-що придобития от вас продукт.

\* За да се гарантира безопасността и надеждността на продукта, както и валидността на гаранцията, всички дейности по ремонт, проверка, поправка или замяна, включително поддръжка и специални настройки, трябва да се извършват само от техници от оторизирания сервизен отдел на производителя.

\* Винаги използвайте продукта с доставеното оборудване. Работата на продукта с неосигурено оборудване може да доведе до неизправности или дори до сериозни наранявания или смърт. Производителят и вносителят не носят отговорност за наранявания и щети, възникнали в резултат на използването на несъответстващо на изискванията оборудване.



## Функционално описание и спецификации

Следващата номерация се отнася до илюстрацията на машината, посочена на страница 2.

1	Безключов патронник*
2	Превключвател за включване/изключване
3	Предварително избиране на скоростта Палецът*
4	Бутон за заключване
5	Превключвател на посоката на въртене
6	Превключвател за избор на функция за ударно пробиване / пробиване*
7	Спомагателна дръжка*
8	Ограничител на дълбочината*
9	Превключвател за избор на предавка*
10	Ключов патронник*
11	Ключ за патронник*



\* Илюстрираните или описани аксесоари не са включени в стандартната доставка.

## Технически данни

Модел	BID4500	BID6500	BID9200	BID1300
Номинално напрежение:	230V / 120V	230V	230V	230V
Номинална честота:	50Hz / 60Hz	50Hz	50Hz	50Hz
Входяща мощност:	400w	650w	920w	1200w
Скорост без натоварване:	0-4200 об/мин	0-2850 об/мин	0-3000 об/мин	0-1200 об/мин 0-3000 об/мин
Тип патронник:	Безключов 10 мм	Безключов 13 мм	Безключов 13 мм	Безключов 13 мм

## Електрическа безопасност

Електрическият двигател е проектиран само за определено напрежение. Винаги проверявайте дали захранването съответства на напрежението, изписано на табелката с номиналните стойности.

## Инструкции за сглобяване - основни настройки



Преди да използвате инструмента, прочетете всички инструкции.

### Спомагателна дръжка (не се предлага при всички модели)

Работете с машината само със спомагателната дръжка.

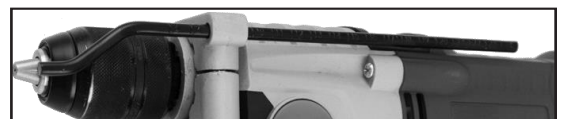
Помощната дръжка може да се настрои във всякаква позиция за сигурна и удобна работна поза. Завъртете дръжката (или скобата) в посока, обратна на часовниковата стрелка, за да я регулирате и настроите в необходимото положение. След това затегнете дръжката, като я завъртите (или скобата) по посока на часовниковата стрелка, или натиснете съответния бутон и го освободете след приключване на регулирането.



### Регулиране на дълбочината на пробиване (не се предлага при всички модели)

Необходимата дълбочина на пробиване може да се зададе с помощта на ограничителя на дълбочината.

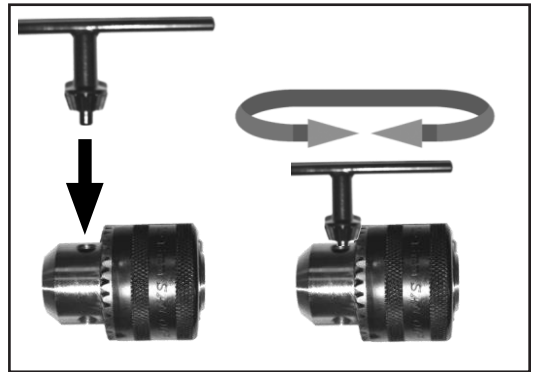
Завъртете дръжката в посока, обратна на часовниковата стрелка (или натиснете бутона), за да я разтегнете и да поставите ограничителя на дълбочината в спомагателната дръжка. Издърпайте ограничителя на дълбочината, докато разстоянието между върха на свредлото и върха на ограничителя на дълбочината съответства на желаната дълбочина на пробиване.





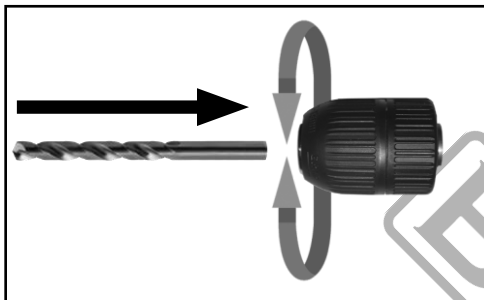
Затегнете дръжката, за да застопорите ограничителя на дълбочината в предварително избраната позиция (или освободете бутона).

**Ключов патронник за пробиване (не се предлага при всички модели)**  
Отворете патронника на свредлото с ключ, като го завъртите обратно на часовниковата стрелка, докато инструментът може да се постави. Поставете инструмента. Поставете ключа на патронника в съответните отвори на патронника за свредла с ключ и затегнете патронника равномерно.



**Смяна на патронника на бормашината**

- За машини без блокировка на шпиндела, моля, боравете внимателно с електроинструмента. Преди сглобяване или разглобяване винаги изключвайте инструмента от електрическата мрежа. Часовникът трябва да бъде сменен чрез оторизиран сервизен център.



**Безключов патронник за бормашина**

Разхлабете патронника, като го завъртите в посока, обратна на часовниковата стрелка, докато инструментът може да бъде поставен. Накрая затегнете патронника по посока на часовниковата стрелка до точката, в която инструментът се държи стабилно.

**Предпазни мерки за извличане на прах/чипове**

Прахът от материали, като например съдържащи олово покрития, някои видове дървесина, минерали и някои видове метали, може да бъде вреден за здравето. Докосването или вдишването на праха може да предизвика алергични реакции и/или да доведе до респираторни инфекции на потребителя или на околните.

Някои прахове, като дъбов или буков, се считат за канцерогенни, особено във връзка с добавки за обработка на дървесина (хромат, консервант за дървесина). Материали, съдържащи азбест, могат да се обработват само от специалисти.

Осигурете добра вентилация на работното място.

Препоръчително е да се носи подходящ респиратор с филтър.

Спазвайте съответните разпоредби във вашата страна за обработваните материали.

- Предотвратете натрупването на прах на работното място. Бъдете внимателни и винаги имайте предвид, че прахът може лесно да се възпламени.

**Инструкции за експлоатация**

Винаги спазвайте инструкциите за безопасност и всички приложими разпоредби.

Спазвайте и се уверете в правилното мрежово напрежение!

Напрежението на източника на захранване трябва да съвпада с напрежението, посочено на табелката на машината/инструмента.

**Избор на посока на въртене**

Превключвателят за посоката на въртене се използва за обръщане на посоката на въртене на електроинструмента. Внимавайте да не използвате превключвателя за посоката на въртене при задействан превключвател за включване/изключване.

**Десен ротационен принцип:** За пробиване и завинтване на винтове.

**Ляво завъртане:** За разхлабване и отвиване на винтове и гайки.

**Превключване на ON и OFF**

- За да стартирате електроинструмента, натиснете превключвателя за включване/изключване и го задръжте натиснат. За да заключите натиснатия превключвател за включване/изключване, натиснете бутона за заключване.

- За да изключите машината, освободете превключвателя за включване/изключване или когато е заключен с бутона за включване, бързо натиснете бутона за включване/изключване и след това го отпуснете.

**Ударно пробиване (не се предлага при всички модели)**

Превключете селекторния превключвател в положение за ударно пробиване (символ на чук).

**Регулиране на скоростта/честотата на удара**

Скоростта/ степента на удара може да се регулира в зависимост от степента на натискане на превключвателя за включване/изключване.

Лекото натискане на превключвателя за включване/изключване ще доведе до ниска скорост/ степен на удара.

По-големият натиск върху превключвателя ще увеличи скоростта/удара.

**Предварително избиране на скоростта/честотата на удара (не се предлага при всички модели)**

Колелото с палец може да се използва за предварително избиране на скоростта на електроинструмента. Необходимата скорост/честота на ударите може да бъде предварително избрана дори по време на работа.

Необходимата скорост/честота на ударите зависи от материала и условията на работа и може да се определи само чрез практически изпитвания.



**Избор на предавка (не се предлага при всички модели)**

Използвайте превключвателя на предавките, за да избирате между две предавки.

**Скорост I:** За работа с инструменти с голям диаметър на пробиване или за забиване на винтове.

**Предавка II:** Високоскоростен диапазон; за работа с инструменти с малък диаметър на пробиване. Винаги завъртайте селектора на предавките по посока на стрелката. Ако предавката не може да се включи напълно, завъртете задвижващия шпиндел заедно със свредлото, като леко завъртите патронника.

**Поддръжка**

Вашият електроинструмент Bormann е проектиран да работи дълго време с минимална поддръжка.

**Смазване**

Електроинструментът ви не се нуждае от допълнително смазване.

**Почистване**

Поддържайте вентилационните отвори чисти и свободни и редовно почиствайте корпуса с мека кърпа.

**Изхвърляне**

Електроинструментът, аксесоарите и опаковката трябва да се сортират за рециклиране, щадящо околната среда.



**Само за страните от ЕС:**

Не изхвърляйте електроинструментите в битовите отпадъци!

Съгласно Европейската директива 2002/96/ЕО за отпадъците от електрическо и електронно оборудване и нейното въвеждане в националното законодателство, електрическите инструменти, които вече не са годни за употреба, трябва да се събират отделно и да се изхвърлят по екологично правилен начин.

## Piktogrami - opozorilne oznake



Dvojna izolacija



Nosite zaščito za oči  
oprema



Pomembne informacije



Opozorilo!



Nosite zaščito za ušesa  
oprema



Nosite masko proti  
prahu



Da bi zmanjšali nevarnost poškodb, preberite naslednja  
navodila.

## Splošna varnostna pravila



**OPOZORILO!** Preberite vsa navodila, neupoštevanje vseh spodaj navedenih navodil lahko povzroči električni udar, požar in/ali hude telesne poškodbe. Izraz "električno orodje" se v vseh spodaj navedenih opozorilih nanaša na vaše električno orodje, ki se napaja iz električnega omrežja (z napeljavo), ali električno orodje, ki se napaja iz akumulatorja (brez napeljave).



**NAVODILA ZA UPORABO SHRANITE NA VARNEM MESTU.**

### Varnost na delovnem mestu

- Delovni prostor naj bo čist in dobro osvetljen. Temni ali neurejeni prostori lahko povzročijo nesreče.
- Električnega orodja ne uporabljajte v eksplozivnih okoljih, kot so vnetljive tekočine ali hlapi, plini ali prah. Električna orodja lahko povzročijo iskre, ki lahko vžgejo pline ali hlape.
- Med delovanjem električnega orodja naj bodo otroci in mimoidoči na varni razdalji.

### Električna varnost

- Prepričajte se, da vtiči električnega orodja ustrezajo vtičnici. Vtiča ne spreminjajte na noben način. Ne uporabljajte adapterskih vtičev z ozemljenimi električnimi orodji. Z uporabo nespremenjenih vtičev in ustreznih vtičnic boste zmanjšali tveganje električnega udara in drugih poškodb.
- Izogibajte se telesnemu stiku z ozemljenimi ali ozemljenimi materiali ali predmeti, kot so radiatorji, cevi, štedilniki in hladilniki. Če je vaše telo ozemljeno ali ozemljeno, obstaja ogromna nevarnost električnega udara.
- Električnih orodij ne izpostavljajte dežju ali drugim mokrim razmeram. Vdor vode v električno orodje lahko poveča nevarnost električnega udara.
- Ne zlorablajte napajalnega kabla. Nikoli ne uporabljajte kabla za prenašanje, vlečenje ali odklop električnega orodja. Kabel hranite na varni razdalji od vročine, olja, ostrih robov in vseh gibljivih delov. Poškodovane ali zapletene vrvice povečajo nevarnost električnega udara.
- Če električno orodje uporabljate na prostem, uporabite podaljšek z ustreznimi specifikacijami za uporabo na prostem. Uporaba podaljška, ki je primeren za uporabo na prostem, zmanjša tveganje električnega udara.
- Če električnega orodja ni mogoče uporabljati na vlažnem mestu, uporabite napajanje, zaščiteno z napravo na preostali tok (RCD). Uporaba RCD zmanjša tveganje električnega udara.

### Osebna varnost

- Pri delu z električnim orodjem bodite pozorni, pazite, kaj počnete, in uporabljajte zdravo pamet. Ne uporabljajte električnega orodja, če ste utrujeni ali pod vplivom alkohola, drog ali zdravil. Trenutek nepozornosti med upravljanjem električnega orodja lahko povzroči hude telesne poškodbe.
- Uporabljajte osebno zaščitno opremo. Vedno nosite zaščito za oči. Zaščitna oprema, kot so maska proti prahu ali zaščita sluha, nederseči varnostni čevlji ali zaščitne čelade, ki se uporabljajo v ustreznih pogojih, bo zmanjšala število osebnih poškodb.
- Preprečite nenameren zagon. Pred priključitvijo na vir napajanja in/ali akumulatorski sklop, dvigovanjem ali prenašanjem električnega orodja se prepričajte, da je stikalo za napajanje v položaju izklopljeno. Prenašanje električnega orodja s prstom na stikalu za napajanje ali vklop električnega orodja, ki ima stikalo v vklopljenem položaju, spodbuja nesreče.
- Pred vklopom električnega orodja odstranite nastavitvene ključe ali ključe. Orodje, ki ostane pritrjeno na vrteči se del električnega orodja, lahko povzroči telesne poškodbe.
- Ne pretiravajte. Ves čas ohranjajte ravnotežje in pravilen korak. Tako boste lažje obvladovali električno orodje v nepričakovanih situacijah.
- Ustrezno se oblecite. Ne nosite ohlapnih oblačil ali nakita. Lasje, oblačila in rokavice naj ne bodo v bližini gibljivih delov. Ohlapna oblačila, nakit in/ali dolgi lasje se lahko ujamejo v gibljive dele.

### Uporaba in nega električnega orodja

- Električnega orodja ne uporabljajte na silo. Za vsako uporabo uporabite ustrezno električno orodje. Pravilno električno orodje bo vedno opravi delo bolje in varneje, če se uporablja s hitrostjo, za katero je bil zasnovan.

- b) Električnega orodja ne uporabljajte, če stikalo ne aktivira ali deaktivira. Vsako električno orodje, ki ga ni mogoče upravljati s stikalom, je zelo nevarno in ga je treba popraviti.
- c) Pred menjavo pribora, nastavitvami ali shranjevanjem električnega orodja izključite glavni vtič iz vira napajanja in/ali akumulatorsko baterijo iz električnega orodja. Takšni preventivni varnostni ukrepi bodo zmanjšali nevarnost nenamerne zagona električnega orodja.
- d) Električno orodje v mirovanju shranjujte izven dosega otrok in ne dovolite, da bi ga uporabljale in upravljale osebe, ki niso seznanjene z električnim orodjem ali temi navodili.
- Električna orodja so v rokah neusposobljenih uporabnikov zelo nevarna.
- e) Vzdrževanje električnih orodij. Preverite, ali so gibljivi deli napačno poravnani ali vezani, ali se deli lomijo, ali prihaja do puščanja in drugih težav, ki bi lahko vplivale na delovanje električnega orodja. Če je električno orodje poškodovano, ga pred uporabo popravite. Veliko nesreč in poškodb je posledica slabo vzdrževanega električnega orodja.
- f) Vsa rezalna orodja naj bodo ostra in čista. Ustrezno vzdrževana rezalna orodja z ostrimi rezalnimi robovi se redkeje zataknejo ter so natančnejša in lažje obvladljiva.
- g) Električno orodje, dodatno opremo, nastavke itd. vedno uporabljajte v skladu z navodili iz tega priročnika, ob upoštevanju delovnih pogojev in dela, ki ga je treba opraviti.
- Uporaba električnega orodja za namene, ki niso predvideni, lahko povzroči nevarne razmere.

### Storitev

- a) Električno orodje naj servisira usposobljen serviser, ki uporablja samo enake nadomestne dele. Tako boste zagotovili varnost električnega orodja.

### Varnost strojev

Pri uporabi udarnih vrtnalnikov ali drugih podobnih električnih orodij vedno uporabljajte zaščito sluha. Vpliv hrupa lahko povzroči izgubo sluha.

Vedno uporabljajte pomožni ročaj, ki je priložen električnemu orodju/stroju. Izguba nadzora lahko povzroči telesne poškodbe. Z ustreznimi detektorji ugotovite, ali so na delovnem območju skriti komunalni vodi, ali pa za pomoč pokličite lokalno komunalno podjetje. Stik z električnimi vodi lahko povzroči požar in/ali električni udar. Poškodovanje plinske cevi lahko povzroči eksplozijo. Vdor v vodovodno cev lahko povzroči materialno škodo ali celo električni udar.

Če se bit električnega orodja zatakne, ga takoj izklopite. Bodite pripravljeni na velik reakcijski navor, ki lahko povzroči povratni udarec.

Orodni nastavek se zatakne, ko:

- je električno orodje preobremenjeno ali
- se zatakne v obdelovanec.

Pri delu, pri katerem bi se lahko rezalno orodje dotaknilo skritih kablov ali lastnega napajalnega kabla, držite električno orodje le za izolirane oprijemalne površine. Ob stiku z žico pod napetostjo bodo pod napetostjo tudi vsi izpostavljeni kovinski deli električnega orodja, kar bo povzročilo šok za upravljavca.

Pri delu z električnim orodjem ga vedno trdno držite z obema rokama in si zagotovite varen položaj. Z obema rokama je nadzor nad električnim orodjem učinkovitejši.

Pritrdite obdelovanec. Obdelovanec, ki je vpet z držalom ali vpenjalnimi napravami, je trdneje pritrjen kot z roko.

Delovno mesto naj bo čisto. Mešanice materialov so zelo nevarne. Prah iz lahkih zlitin se lahko zažge ali vžge.

Preverite, ali so orodje in morebitni deli ali dodatki poškodovani med prevozom.

Pred začetkom uporabe si vzemite čas za temeljito branje in razumevanje tega priročnika.

### Predvidena uporaba

Stroj je namenjen vrтанju v les, kovino in plastiko.

Stroji z elektronskim krmiljenjem in desno-levo rotacijo so primerni tudi za vijačenje in rezanje navojev.

Stroji z udarno funkcijo so primerni za vrтанje v opeko, beton in kamen.

\* Proizvajalec si pridržuje pravico do manjših sprememb zasnove in tehničnih specifikacij izdelka brez predhodnega obvestila, razen če te spremembe bistveno vplivajo na delovanje in varnost izdelkov. Deli, opisani/prikazani na straneh priročnika, ki ga držite v rokah, se lahko nanašajo tudi na druge modele proizvajalčeve linije izdelkov s podobnimi lastnostmi in morda niso vključeni v izdelek, ki ste ga pravkar pridobili.

\* Da bi zagotovili varnost in zanesljivost izdelka ter veljavnost garancije, smejo vsa popravila, preglede, popravila ali zamenjave, vključno z vzdrževanjem in posebnimi nastavitvami, opravljati le tehniko pooblaščenega servisnega oddelka proizvajalca.

\* Izdelek vedno uporabljajte s priloženo opremo. Uporaba izdelka z opremo, ki ni priložena, lahko povzroči motnje v delovanju ali celo hude telesne poškodbe ali smrt. Proizvajalec in uvoznik nista odgovorna za poškodbe in škodo, ki so posledica uporabe neustrezne opreme.

## Funkcionalni opis in specifikacije

Naslednje oštevilčenje se nanaša na sliko stroja na strani 2.

1	Vpenjalnik brez ključa*
2	Stikalo za vklop/izklop
3	Predizbira hitrosti Palec*
4	Gumb za zaklepanje
5	Stikalo smeri vrtenja
6	Stikalo za izbiro funkcije udarnega vrtenja / vrtenja*
7	Pomožni ročaj*
8	Globinski omejevalnik*
9	Stikalo za izbiro prestave*
10	Vpenjalnik s ključem*
11	Vpenjalne glava ključ*



\* Dodatki, ki so prikazani ali opisani, niso vključeni v standardno dobavo.

## Tehnični podatki

Model	BID4500	BID6500	BID9200	BID1300
Nazivna napetost	230 V / 120 V	230V	230V	230V
Nazivna frekvenca	50 Hz / 60 Hz	50 Hz	50 Hz	50 Hz
Vhodna moč	400w	650w	920w	1200w
Brez obremenitve hitrost	0-4200 vrt/min	0-2850 vrt/min	0-3000 vrt/min	0-1200 vrt/min 0-3000 vrt/min
Vrsta vpenjala	Brez ključa 10 mm	Brez ključa 13 mm	Brez ključa 13 mm	Brez ključa 13 mm

## Električna varnost

Električni motor je zasnovan le za določeno napetost. Vedno preverite, ali napajanje ustreza napetosti, zapisani na tipski ploščici.

## Navodila za montažo - glavne nastavitve



Pred uporabo orodja preberite vsa navodila.

### Pomožni ročaj (ni na voljo pri vseh modelih)

Stroj upravljajte samo s pomožnim ročajem.

Pomožni ročaj lahko nastavite v poljuben položaj za varen in udoben delovni položaj.

Ročaj (ali objemko) zavrtite v nasprotni smeri urinega kazalca, da ga nastavite in nastavite v zeleni položaj.

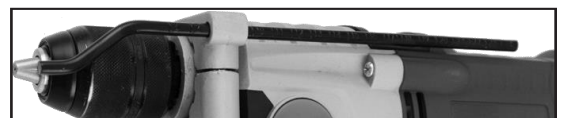
Nato zategnite ročaj (ali objemko) v smeri urinega kazalca ali pritisnite ustrezen gumb in ga po končani nastavitvi sprostite.



### Prilagajanje globine vrtenja (ni na voljo pri vseh modelih)

Zahtevano globino vrtenja lahko nastavite z globinskim omejevalnikom.

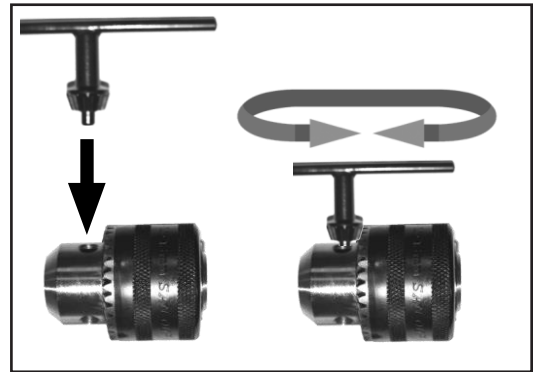
Zavrtite ročaj v nasprotni smeri urinega kazalca (ali pritisnite gumb), da ga sprostite in vstavite globinski omejevalnik v pomožni ročaj. Globinski omejevalnik izvlecite, dokler razdalja med konico svedra in konico globinskega omejevalnika ne ustreza zeleni globini vrtenja.



Zategnite ročaj, da se globinski omejevalnik zaskoči v izbranem položaju (ali sprostite gumb).

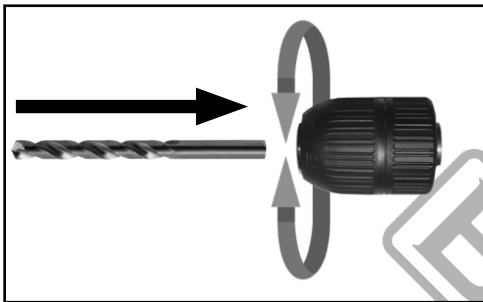
#### Vrtalno držalo s ključem (ni na voljo pri vseh modelih)

Odprite vpenjalno držalo vrtalnika s ključem tako, da ga zavrtite v nasprotni smeri urinega kazalca, dokler ni mogoče vstaviti orodja. Vstavite orodje. Vstavite ključ vpenjalne glave v ustrezne odprtine vpenjalne glave vrtalnika s ključem in enakomerno zategnite vpenjalno glavo.



#### Zamenjava držala vrtalnika

• Pri strojih brez blokade vretena z električnim orodjem ravnajte previdno. Pred montažo ali demontažo orodje vedno izključite iz električnega omrežja. Držalo je treba zamenjati v pooblaščenem servisnem centru.



#### Stikalo za vrtenje brez ključa

Z vrtenjem proti smeri urinega kazalca sprostite vpenjalno držalo, dokler ni mogoče vstaviti orodja. Na koncu zategnite vpenjalno držalo v smeri urinega kazalca do točke, ko se orodje varno drži.

#### Previdnostni ukrepi za odsesavanje prahu/čipov

Prah iz materialov, kot so premazi, ki vsebujejo svinec, nekatere vrste lesa, minerali in nekatere vrste kovin, je lahko škodljiv za zdravje. Dotikanje ali vdihavanje prahu lahko povzroči alergijske reakcije in/ali okužbe dihal uporabnika ali mimoidočih. Nekateri prahi, kot sta hrastov ali bukov prah, veljajo za rakotvorne, zlasti v povezavi z dodatki za obdelavo lesa (kromat, konzervansi za les). Materiale, ki vsebujejo azbest, lahko obdelujejo le strokovnjaki.

Zagotovite dobro prezračevanje delovnega mesta.

Priporočljivo je nositi ustrezen respirator s filtrom.

Upoštevajte ustrezne predpise v svoji državi za obdelovane materiale.

• Preprečite kopičenje prahu na delovnem mestu. Bodite previdni in imejte vedno v mislih, da se prah zlahka vname.

#### Navodila za uporabo

Vedno upoštevajte varnostna navodila in vse veljavne predpise.

Upoštevajte in se prepričajte o pravilni omrežni napetosti!

Napetost vira napajanja se mora ujemati z napetostjo, ki je navedena na tipski ploščici stroja/električnega orodja.

#### Izbira smeri vrtenja

Stikalo za smer vrtenja se uporablja za spreminjanje smeri vrtenja električnega orodja.

Prepričajte se, da stikala za smer vrtenja ne uporabljate, če je stikalo za vklop/izklop aktivirano.

**Desno vrtenje:** Za vrtenje in vijačenje.

**Levo vrtenje:** Za odvijanje in privijanje vijakov in matic.

#### Preklapljanje med ON in OFF

• Če želite zagnati električno orodje, pritisnite stikalo za vklop/izklop in ga držite pritisnjeno.

Če želite pritisnjeno stikalo za vklop/izklop zakleniti, pritisnite gumb za zaklepanje.

• Za izklop stroja sprostite stikalo za vklop/izklop ali, če je zaklenjeno z gumbom lock-on, hitro pritisnite stikalo za vklop/izklop in ga nato sprostite.

#### Udarno vrtenje (ni na voljo pri vseh modelih)

Nastavite izbirno stikalo v položaj za udarno vrtenje (simbol kladiva).

#### Prilagajanje hitrosti/frekvence udarcev

Hitrost udarca/obsežnost udarca je mogoče prilagoditi glede na to, kako močno je pritisnjeno stikalo za vklop/izklop.

Z rahlim pritiskom na stikalo za vklop/izklop se doseže nizka hitrost udarca. Če na stikalo pritisnete še bolj, se hitrost/obremenitev poveča.



**Predizbira hitrosti/obratovalne frekvence (ni na voljo pri vseh modelih)**

S kolescem za palec lahko vnaprej izberete hitrost električnega orodja.  
 Zahtevano hitrost/frekvenco udarcev lahko vnaprej izberete tudi med delovanjem.  
 Zahtevana hitrost/frekvenca udarcev je odvisna od materiala in delovnih pogojev ter jo je mogoče določiti le s praktičnim preskušanjem.

**Izbira prestave (ni na voljo pri vseh modelih)**

Z izbirnikom prestav lahko izbirate med dvema prestavama.

**Oprema I:** Za delo z orodji z velikim premerom vrtanja ali za vijačenje.

**Zobnik II:** območje visoke hitrosti; za delo z orodji z majhnim premerom vrtanja. Izbirnik prestav vedno obračajte v smeri puščice. Če prestave ni mogoče v celoti vključiti, z rahlim obračanjem vpenjalne glave vrtalnika zavrtite pogonsko vreteno s svedom.

**Vzdrževanje**

Vaše električno orodje Bormann je zasnovano tako, da lahko dolgo časa deluje z minimalnim vzdrževanjem.

**Mazanje**

Električno orodje ne potrebuje dodatnega mazanja.

**Čiščenje**

Prezračevalne reže naj bodo čiste in proste, ohišje pa redno čistite z mehko krpo.

**Odstranjevanje**

Električno orodje, dodatno opremo in embalažo je treba razvrstiti za okolju prijazno recikliranje.

**Samo za države EU:**

Električnega orodja ne odlagajte v gospodinjske odpadke!

V skladu z evropsko smernico 2002/96/ES za odpadno električno in elektronsko opremo in njeno implementacijo v nacionalno zakonodajo je treba električna orodja, ki niso več uporabna, zbirati ločeno in jih odstraniti na okolju prijazen način.

## Pictograme - Etichete de avertizare



Izolație dublă



Purtați protecție pentru ochi echipament



Informații importante



Atenție!



Purtați protecție pentru urechi echipament



Purtați o mască de praf



Pentru a reduce riscul de rănire, vă rugăm să citiți următoarele instrucțiuni.

## Reguli generale de siguranță



**AVERTISMENT!** Citiți toate instrucțiunile, nerespectarea tuturor instrucțiunilor enumerate mai jos poate duce la șocuri electrice, incendii și/sau răniri grave. Termenul "unealtă electrică" din toate avertismentele enumerate mai jos se referă la unealta electrică cu alimentare de la rețeaua electrică (cu fir) sau la unealta electrică cu baterii (fără fir).



**VĂ RUGĂM SĂ PĂSTRAȚI MANUALUL DE INSTRUCȚIUNI ÎNTR-UN LOC SIGUR**

### Siguranța zonei de lucru

- Vă rugăm să păstrați zona de lucru curată și bine luminată. Zonele întunecate sau dezordonate pot favoriza producerea de accidente.
- Nu folosiți uneltele electrice în atmosfere explozive, cum ar fi în prezența unor lichide sau vapori inflamabili, gaze sau praf. Uneltele electrice ar putea crea scânteii care ar putea aprinde gazele sau vaporii.
- Vă rugăm să păstrați copiii și persoanele aflate în preajmă la o distanță de siguranță în timpul utilizării sculei electrice.

### Siguranța electrică

- Vă rugăm să vă asigurați că fișele uneltelor electrice se potrivesc cu priza. Nu modificați niciodată fișa în niciun fel. Nu utilizați fișe adaptoare cu unelte electrice cu împământare (cu împământare). Folosirea unor fișe nemodificate și a unor prize potrivite va reduce riscul de electrocutare și alte răniri.
- Evitați contactul corpului cu materiale sau obiecte legate la pământ sau împământate, cum ar fi radiatoare, țevi, cuptoare și frigider. Există un risc enorm de șoc electric dacă corpul dumneavoastră este legat la pământ sau împământat.
- Nu expuneți uneltele electrice la ploaie sau în orice alte condiții de umezeală. Apa care pătrunde într-o unealtă electrică ar putea crește riscul de electrocutare.
- Nu abuzați de cablul de alimentare. Nu utilizați niciodată cablul pentru a transporta, trage sau deconecta sula electrică. Păstrați cablul la o distanță sigură de căldură, ulei, margini ascuțite și orice piese în mișcare. Cablurile deteriorate sau încurcate vor crește riscul de electrocutare.
- Atunci când folosiți o unealtă electrică în aer liber, utilizați un cablu prelungitor care are specificațiile corespunzătoare pentru utilizarea în aer liber. Utilizarea unui cablu prelungitor adecvat pentru utilizarea în exterior reduce riscul de electrocutare.
- În cazul în care nu se poate evita utilizarea unei scule electrice într-un loc umed, utilizați o sursă de alimentare protejată de un dispozitiv de curent rezidual (RCD). Utilizarea unui RCD reduce riscul de electrocutare.

### Siguranța personală

- Rămâneți vigilenți, urmăriți ceea ce faceți și folosiți bunul simț atunci când folosiți o unealtă electrică. Nu utilizați o unealtă electrică în timp ce vă simțiți obosit sau sub influența alcoolului, a drogurilor sau a medicamentelor. Un moment de neatenție în timpul utilizării unei scule electrice poate avea ca rezultat vătămări corporale grave.
- Vă rugăm să folosiți echipament de protecție personală. Purtați întotdeauna protecție pentru ochi. Echipamentul de protecție, cum ar fi masca de praf sau protecția auditivă, pantofii de siguranță antiderapanți sau căștile de protecție, utilizate în condiții adecvate, vor reduce numărul de vătămări corporale.
- Preveniți pornirea neintenționată. Asigurați-vă că întrerupătorul de alimentare este în poziția oprit înainte de a conecta la sursa de alimentare și/sau la pachetul de baterii, de a ridica sau de a transporta sula electrică. Transportarea sculelor electrice cu degetul pe întrerupătorul de alimentare sau punerea sub tensiune a sculelor electrice care au întrerupătorul în poziția pornit invită la accidente.
- Îndepărtați orice chei sau chei de reglare înainte de a porni sula electrică. O unealtă lăsată atașată la o parte rotativă a sculei electrice poate provoca vătămări corporale.
- Nu exagerați. Păstrați în permanență echilibrul și o poziție corectă. Acest lucru ajută la un control mai bun al sculei electrice în situații neașteptate.
- Îmbrăcați-vă corespunzător. Nu purtați haine largi sau bijuterii. Țineți-vă părul, hainele și mânușile departe de orice piese în mișcare. Hainele largi, bijuteriile și/sau părul lung pot fi prinse în piesele în mișcare.

### Utilizarea și îngrijirea uneltelor electrice

- Vă rugăm să nu forțați sula electrică. Folosiți sula electrică potrivită pentru fiecare aplicație. Unealta electrică corectă va fi întotdeauna își face treaba mai bine și mai sigur atunci când este utilizat în ritmul pentru care a fost proiectat.

- b) Nu utilizați scula electrică dacă întrerupătorul nu o activează sau dezactivează. Orice unealtă electrică care nu poate fi controlată cu ajutorul comutatorului este extrem de periculoasă și trebuie reparată.
- c) Deconectați ștecherul principal de la sursa de alimentare și/sau acumulatorul de la scula electrică înainte de a schimba accesoriile, de a face orice reglaje sau de a depozita sculele electrice. Astfel de măsuri preventive de siguranță vor reduce riscul de pornire accidentală a sculei electrice.
- d) Depozitați uneltele electrice nefolosite la îndemâna copiilor și nu permiteți persoanelor care nu sunt familiarizate cu scula electrică sau cu aceste instrucțiuni să utilizeze și să opereze scula electrică. Uneltele electrice sunt extrem de periculoase în mâinile unor utilizatori neinstruiți.
- e) Întreținerea sculelor electrice. Verificați dacă piesele în mișcare nu sunt nealiniat sau blocate, dacă piesele sunt rupte, dacă există scurgeri și orice altă condiție care poate afecta funcționarea sculei electrice. Dacă este deteriorată, vă rugăm să faceți reparația sculei electrice înainte de utilizare. Multe accidente și răniri sunt cauzate de uneltele electrice întreținute necorespunzător.
- f) Păstrați toate uneltele de tăiere ascuțite și curate. Uneltele de tăiere întreținute corespunzător, cu muchii de tăiere ascuțite, sunt mai puțin susceptibile de a se bloca și sunt mai precise și mai ușor de controlat.
- g) Utilizați întotdeauna scula electrică, accesoriile și biții de scule etc. în conformitate cu instrucțiunile din acest manual de instrucțiuni, ținând cont de condițiile de lucru și de lucrările care urmează să fie efectuate. Utilizarea sculei electrice pentru alte aplicații decât cele prevăzute ar putea duce la o situație periculoasă.

### Serviciul

- a) Trimiteti scula electrică la un tehnician de reparații calificat, folosind numai piese de schimb identice. Acest lucru va asigura menținerea siguranței sculei electrice.

### Avertismente de siguranță specifice mașinii

Purtați întotdeauna protecție pentru auz atunci când folosiți mașini de găurit cu percuție sau orice alte unelte electrice similare. Influența zgomotului poate duce la pierderea auzului.

Folosiți întotdeauna mânerul auxiliar furnizat împreună cu scula electrică/mașină. Pierderea controlului poate provoca vătămări corporale.

Utilizați detectoare adecvate pentru a determina dacă în zona de lucru sunt ascunse linii de utilități sau apă. Apelați la compania locală de utilități pentru asistență. Contactul cu liniile electrice poate duce la incendiu și/sau șocuri electrice. Deteriorarea unei conducte de gaz poate duce la explozie. Pătrunderea unei conducte de apă ar putea provoca daune materiale sau chiar un șoc electric.

Asigurați-vă că opriți imediat scula electrică atunci când se blochează burghiul sculei electrice. Pregătiți-vă pentru un cuplu de reacție ridicat care poate provoca recul.

Burghiul sculei se blochează atunci când:

- a) scula electrică este supusă unei suprasarcini sau
- b) se blochează în piesa de prelucrat.

Țineți scula electrică numai de suprafețele de prindere izolate atunci când efectuați o operațiune în care scula de tăiere ar putea intra în contact cu cabluri ascunse sau cu propriul cablu de alimentare. Contactul cu un fir "sub tensiune" va face ca și orice parte metalică expusă a sculei electrice să fie "sub tensiune" și să producă un șoc pentru operator.

Atunci când lucrați cu scula electrică, țineți-o întotdeauna ferm cu ambele mâini și asigurați-vă o poziție sigură. Unealta electrică este controlată mai eficient cu ambele mâini.

Fixați piesa de lucru. O piesă de prelucrat fixată cu o menghină sau cu dispozitive de fixare este ținută mai bine decât cu mâna. Păstrați-vă locul de muncă curat. Amestecurile de materiale sunt extrem de periculoase. Praful din aliajele ușoare poate arde sau se poate aprinde.

Verificați dacă unealta și orice piese sau accesorii au fost deteriorate în timpul transportului.

Acordați-vă timp pentru a citi și înțelege acest manual înainte de utilizare.

### Utilizare preconizată

Mașina este destinată forării suprafețelor din lemn, metal și plastic.

Mașinile cu control electronic și rotație dreapta/stânga sunt, de asemenea, potrivite pentru înșurubare și filetare.

Mașinile cu funcție de impact sunt potrivite pentru găurirea în cărămizi, beton și piatră.

\* Producătorul își rezervă dreptul de a aduce modificări minore la designul și specificațiile tehnice ale produsului fără notificare prealabilă, cu excepția cazului în care aceste modificări afectează în mod semnificativ performanța și siguranța produselor. Piesele descrise / ilustrate în paginile manualului pe care îl țineți în mâini pot viza și alte modele din linia de produse ale producătorului cu caracteristici similare și pot să nu fie incluse în produsul pe care tocmai l-ați achiziționat.

\* Pentru a asigura siguranța și fiabilitatea produsului, precum și valabilitatea garanției, toate lucrările de reparații, inspecții, reparații sau înlocuiri, inclusiv întreținerea și reglajele speciale, trebuie efectuate numai de către tehnicieni ai departamentului de service autorizat al producătorului.

\* Utilizați întotdeauna produsul cu echipamentul furnizat. Funcționarea produsului cu echipamente care nu sunt furnizate poate cauza defectuni sau chiar vătămări grave sau chiar moartea. Producătorul și importatorul nu sunt răspunzători pentru vătămările și daunele rezultate din utilizarea unui echipament neconform.

## Descriere funcțională și specificații

Următoarea numerotare se referă la ilustrația aparatului indicată la pagina 2.

1	Mandrină fără cheie*
2	Comutator pornit/oprit
3	Viteza preselecția vitezei roțița degetului mare*
4	Buton de blocare
5	Comutator de direcție de rotație
6	Comutator de selectare a funcției de găurire cu impact / găurire*
7	Mâner auxiliar*
8	Oprire de adâncime*
9	Comutator de selectare a vitezei*
10	Mandrină cu cheie*
11	Cheia mandrină*



\* Accesoriile ilustrate sau descrise nu sunt incluse în livrarea standard.

## Date tehnice

Model	BID4500	BID6500	BID9200	BID1300
Tensiune nominală	230V / 120V	230V	230V	230V
Frecvența nominală	50Hz / 60Hz	50Hz	50Hz	50Hz
Putere de intrare	400w	650w	920w	1200w
Fără sarcină viteză	0-4200rpm	0-2850rpm	0-3000rpm	0-1200rpm / 0-3000rpm
Tip mandrină	Fără cheie 10mm	Fără cheie 13mm	Fără cheie 13mm	Fără cheie 13mm

## Siguranța electrică

Motorul electric a fost proiectat numai pentru o anumită tensiune. Verificați întotdeauna dacă alimentarea cu energie electrică corespunde tensiunii înscrise pe plăcuța de identificare.

## Instrucțiuni de asamblare - Reglaje principale



Înainte de a utiliza instrumentul, vă rugăm să citiți toate instrucțiunile.

### Mâner auxiliar (nu este disponibil la toate modelele)

Acționați-vă mașina numai cu mânerul auxiliar.

Mânerul auxiliar poate fi setat în orice poziție pentru o poziție de lucru sigură și confortabilă.

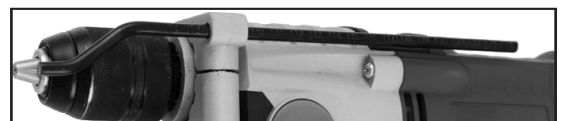
Rotiți mânerul (sau clema) în sens invers acelor de ceasornic pentru a regla și a o seta în poziția necesară. Apoi strângeți mânerul rotindu-l (sau clema) în sensul acelor de ceasornic sau apăsați butonul corespunzător și eliberați-l după ce ați terminat reglajul.



### Reglarea adâncimii de găurire (nu este disponibilă la toate modelele)

Adâncimea de găurire necesară poate fi setată cu ajutorul opritorului de adâncime.

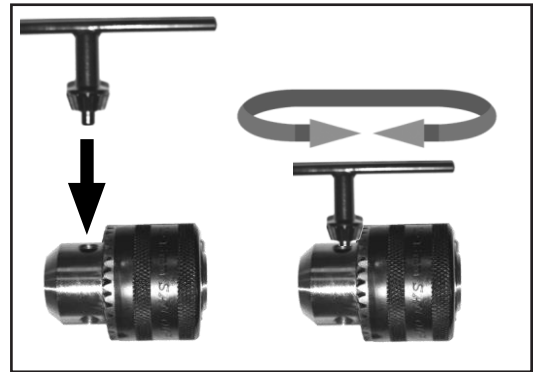
Rotiți mânerul în sens invers acelor de ceasornic (sau apăsați butonul) pentru a-l deșuruba și introduceți opritorul de adâncime în mânerul auxiliar. Scoateți opritorul de adâncime până când distanța dintre vârful burghiului și vârful opritorului de adâncime corespunde cu adâncimea de găurire dorită.



Strângeți mânerul pentru a bloca opritorul de adâncime în poziția preselectată (sau eliberați butonul).

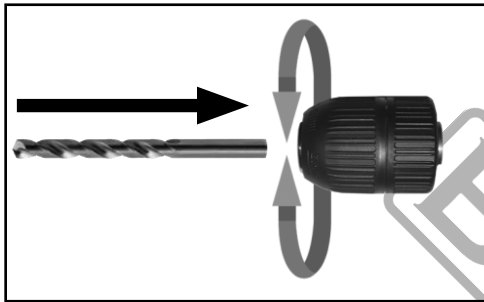
#### Mandrină de găurit tip cheie (nu este disponibilă la toate modelele)

Deschideți mandrina de găurit cu cheie prin rotirea acesteia în sens invers acelor de ceasornic până când se poate introduce scula. Introduceți scula. Introduceți cheia de mandrină în găurile corespunzătoare ale mandrinei de găurit cu cheie și strângeți mandrina uniform.



#### Înlocuirea mandrinei burghiului

• Pentru mașinile fără blocare a axului, vă rugăm să manevrați cu grijă scula electrică. Înainte de asamblare sau dezasamblare, scoateți întotdeauna scula din priză. Mandrina trebuie înlocuită prin intermediul unui centru de service autorizat.



#### Mandrină de găurit fără cheie

Deșurubați mandrina prin rotirea acesteia în sens invers acelor de ceasornic până când se poate introduce scula. În cele din urmă, strângeți mandrina în sensul acelor de ceasornic până la punctul în care scula este ținută bine.

#### Precauții de extragere a prafului/cipurilor

Pulberile provenite din materiale precum acoperiri care conțin plumb, unele tipuri de lemn, minerale și unele tipuri de metale pot fi dăunătoare pentru sănătate. Atingerea sau inhalarea pulberilor poate provoca reacții alergice și/sau poate duce la infecții respiratorii ale utilizatorului sau ale persoanelor aflate în preajmă.

Anumite pulberi, cum ar fi praful de stejar sau de fag, sunt considerate cancerigene, în special în legătură cu aditivii de tratare a lemnului (cromat, conservant pentru lemn). Materialele care conțin azbest pot fi lucrate numai de către specialiști.

Asigurați o bună ventilație a locului de muncă.

Se recomandă purtarea unui aparat de respirație cu filtru corespunzător.

Respectați reglementările relevante din țara dumneavoastră pentru materialele care urmează să fie prelucrate.

• Preveniți acumularea de praf la locul de muncă. Fiți atenți și rețineți întotdeauna că praful se poate aprinde cu ușurință.

#### Instrucțiuni de utilizare

Respectați întotdeauna instrucțiunile de siguranță și toate reglementările aplicabile.

Respectați și asigurați-vă de tensiunea de rețea corectă!

Tensiunea sursei de alimentare trebuie să fie în concordanță cu tensiunea specificată pe plăcuța de identificare a mașinii/unealtă electrică.

#### Selectarea direcției de rotație

Comutatorul de direcție de rotație este utilizat pentru a inversa direcția de rotație a sculei electrice. Asigurați-vă că nu utilizați comutatorul de direcție de rotație cu comutatorul de pornire/oprire acționat.

**Rotație dreapta:** Pentru găurirea și înfigerea șuruburilor.

**Rotație stânga:** Pentru slăbirea și deșurubarea șuruburilor și piulițelor.

#### Comutarea ON și OFF

• Pentru a porni scula electrică, apăsați comutatorul de pornire/oprire și mențineți-l apăsat.

Pentru a bloca comutatorul pornit/oprit apăsat, apăsați butonul de blocare.

• Pentru a opri aparatul, eliberați întrerupătorul Pornit/Oprit sau, atunci când este blocat cu butonul lock-on, apăsați rapid întrerupătorul Pornit/Oprit și apoi eliberați-l.

#### Perforare cu impact (nu este disponibil la toate modelele)

Setați comutatorul selector în poziția de găurire cu impact (simbolul ciocanului).

#### Reglarea frecvenței de viteză/impact

Viteza / rata de impact poate fi reglată în mod variabil, în funcție de cât de mult este apăsat comutatorul On/Off.

O presiune ușoară pe comutatorul pornit/oprit va da o viteză/rază de impact redusă. O presiune mai mare asupra comutatorului va crește viteza/rata de impact.

**Preselectarea vitezei/frecvenței de lovire (nu este disponibilă la toate modelele)**

Rotița poate fi utilizată pentru a preselecta viteza sculei electrice.

Viteza necesară/frecvența de impact poate fi preselectată chiar și în timpul funcționării.

Viteza necesară/frecvența de impact depinde de material și de condițiile de lucru și poate fi determinată numai prin teste practice.

**Selectarea treptelor de viteză (nu este disponibilă la toate modelele)**

Folosiți selectorul de viteze pentru a alege între două viteze.

**Angrenaj I:** Gamă de turații reduse; pentru lucrul cu scule cu diametru mare de găurire sau pentru înșurubarea șuruburilor.

**Angrenaj II:** Gamă de viteză mare; pentru lucrul cu scule cu diametru de găurire mic. Întotdeauna rotiți selectorul de viteze în direcția săgeții. Dacă angrenajul nu poate fi angrenat complet, rotiți axul de acționare cu burghiul prin rotirea ușoară a mandrinei de găurire.

**Întreținere**

Unealta dumneavoastră electrică Bormann a fost proiectată pentru a funcționa pe o perioadă lungă de timp cu un minim de întreținere.

**Lubrifiere**

Unealta dvs. electrică nu necesită lubrifiere suplimentară.

**Curățare**

Păstrați fantele de ventilație curate și libere și curățați periodic carcasa cu o cârpă moale.

**Eliminare**

Uneltele electrice, accesoriile și ambalajul trebuie sortate pentru a fi reciclate în mod ecologic.

**Numai pentru țările UE:**

Nu aruncați sculele electrice la gunoiul menajer!

În conformitate cu Directiva europeană 2002/96/CE privind deșeurile de echipamente electrice și electronice și cu transpunerea acesteia în legislația națională, uneltele electrice care nu mai sunt utilizabile trebuie colectate separat și eliminate într-un mod corect din punct de vedere ecologic.



**EL**

Τα ηλεκτρικά εργαλεία έχουν κατασκευαστεί με αυστηρά πρότυπα που έχει θέσει η εταιρεία και συνάδουν με τα ευρωπαϊκά πρότυπα ποιότητας. Για τα ηλεκτρικά εργαλεία της εταιρείας μας παρέχεται περίοδος εγγύησης 24 μηνών για ερασιτεχνική χρήση, 12 μηνών για επαγγελματική χρήση και 12 μηνών για τις μπαταρίες και τους φορτιστές. Η ισχύς της εγγύησης ξεκινά από την ημερομηνία αγοράς του προϊόντος. Αποδεικτικό του δικαιώματος της εγγύησης αποτελεί το παραστατικό αγοράς του εργαλείου (απόδειξη λιανικής ή τιμολόγιο). Σε καμία περίπτωση η εταιρεία δεν καλύπτει τη σχετική δαπάνη ανταλλακτικών και εργασιών εάν και εφόσον δε συνοδεύεται από αντίγραφο του παραστατικού αγοράς. Σε περίπτωση που η επισκευή πρέπει να γίνει στο service μας η δαπάνη μεταφοράς (από και προς) βαρύνει εξ' ολοκλήρου τον αποστολέα. Τα εργαλεία αποστέλλονται για την επισκευή τους στην εταιρεία ή σε εξουσιοδοτημένο συνεργείο με τον ενδεδειγμένο τρόπο και μέσο μεταφοράς.

**ΕΞΑΙΡΕΣΕΙΣ ΚΑΙ ΠΕΡΙΟΡΙΣΜΟΙ ΤΗΣ ΕΓΓΥΗΣΗΣ:**

- 1) Ανταλλακτικά που φθείρονται φυσιολογικά από τη χρήση τους (καρβουνάκια, καλώδιο, διακόπτες, φορτιστές, τσοκ κ.λπ.).
- 2) Εργαλεία που έχουν υποστεί ζημίες από τη μη συμμόρφωση με τις οδηγίες του κατασκευαστή.
- 3) Εργαλεία με ελλιπή συντήρηση.
- 4) Χρήση μη ενδεδειγμένων λιπαντικών ή εξαρτημάτων.
- 5) Εργαλεία που έχουν δοθεί χωρίς επιβάρυνση.
- 6) Βλάβη που οφείλεται σε ηλεκτρική σύνδεση σε τάση διαφορετική από την αναγραφόμενη στην πινακίδα συσκευής.
- 7) Σύνδεση σε μη γειωμένο ρευματοδότη.
- 8) Μεταβολή της τάσης του ρεύματος.
- 9) Βλάβη που προκύπτει από τη χρήση αλμυρού νερού (π.χ. πλυστικά, αντλίες).
- 10) Βλάβη ή κακή λειτουργία που έχει προκύψει από πλημμελή καθαρισμό του εργαλείου.
- 11) Επαφή του εργαλείου με χημικά, ή βλάβη από υγρασία, διάβρωση.
- 12) Εργαλεία που έχουν υποστεί τροποποιήσεις – αλλαγές ή έχουν ανοιχτεί από μη εξουσιοδοτημένο συνεργείο.
- 13) Εργαλεία που χρησιμοποιούνται για ενοίκιαση.

Η εγγύηση καλύπτει αποκλειστικά τη δωρεάν αντικατάσταση του εξαρτήματος που έχει κατασκευαστικό ελάττωμα ή αστοχία υλικού. Σε περίπτωση έλλειψης ανταλλακτικού η εταιρεία διατηρεί το δικαίωμα αντικατάστασης του εργαλείου με άλλο αντίστοιχο μοντέλο. Μετά τη διεκπεραίωση εγγύησης δεν επιμηκύνεται ούτε ανανεώνεται ο χρόνος εγγύησης του εργαλείου. Τα ανταλλακτικά ή τα εργαλεία τα οποία αντικαθίστανται παραμένουν στην κατοχή της εταιρείας μας. Άλλες απαιτήσεις, εκτός από αυτές που αναφέρονται σε αυτό το έντυπο εγγύησης επισκευής ή βλαβών ηλεκτρικών εργαλείων, δεν ισχύουν. Για την εγγύηση αυτή ισχύει το ελληνικό Δίκαιο.

**EN**

The power tools have been manufactured according to strict standards, set by our company, which are aligned with the respective European quality standards. The power tools of our company are provided with a warranty period of 24 months for non-professional use, 12 months for professional use and 12 months for batteries and chargers. The warranty is valid from the date of purchase of the product. Proof of the warranty right is the purchase document of the tool (retail receipt or invoice). Under no circumstances shall the company cover the relevant cost of spare parts and respective required working hours unless a copy of the purchase document is presented. In case the repair has to be done by our service department the cost of transportation (to and from) is entirely borne by the sender (client). The tools must be sent for repair to the company or to an authorized workshop in the appropriate way and means of transport.

**WARRANTY EXEMPTIONS AND RESTRICTIONS:**

- 1) Spare parts that wear out naturally as a consequence of being used (brushes, cables, switches, chargers, chokes etc.).
- 2) Tools damaged as a result of non-compliance with the instructions of the manufacturer.
- 3) Tools poorly maintained.
- 4) Use of improper lubricants or accessories.
- 5) Tools given to third entities free of charge.
- 6) Damage due to an electrical connection at a voltage other than that indicated on the appliance plate.
- 7) Connection to a non-earthed power supply.
- 8) Change in current voltage.
- 9) Damage resulting from the use of salty water (e.g., washing machines, pumps).
- 10) Damage or malfunction resulting from improper cleaning procedure of the tool.
- 11) Contact of the tool with chemicals, or damage as a result of moisture or corrosion.
- 12) Tools that have been modified or opened by unauthorized personnel.
- 13) Tools used for rent.

The warranty covers only the free of charge replacement of the component that presents a manufacturing defect or material failure. In case of lack of a specific spare part the company reserves the right to replace the tool with another corresponding model. After all warranty procedures have been concluded, the warranty period of the tool shall not be extended or renewed. The spare parts or tools that are replaced remain in the possession of our company. Requirements, other than those mentioned in this warranty form, regarding power tools repair or damage thereof, do not apply. Greek law and relative regulations apply to this warranty.

**FR**

Les outils électriques sont fabriqués selon des normes strictes, établies par notre société et se sont alignées sur les normes de qualité européennes respectives. Les outils électriques de notre société sont bénéficiés d'une garantie de 24 mois pour une utilisation non professionnelle, 12 mois pour une utilisation professionnelle et de 12 mois pour les batteries et les chargeurs. La garantie est valable à partir de la date d'achat du produit. La preuve du droit à la garantie est le document d'achat de l'outil (ticket de caisse ou facture). En aucun cas, l'entreprise ne couvrira le coût des pièces de rechange et des heures de travail nécessaires si une copie du document d'achat n'est pas présentée. Si la réparation doit être effectuée par notre service après-vente, les frais de transport (aller-retour) sont entièrement à la charge de l'expéditeur (client). Les outils doivent être envoyés pour réparation à l'entreprise ou à un atelier agréé de la manière et avec le moyen de transport appropriée.

**EXEMPTIONS ET RESTRICTIONS DE GARANTIE:**

- 1) Les pièces de rechange qui s'usent naturellement suite à leur utilisation (balaise, câbles, interrupteurs, chargeurs, etc.).
- 2) Les outils endommagés à la suite du non-respect des instructions du fabricant.
- 3) Outils mal entretenus.
- 4) Utilisation de lubrifiants ou d'accessoires inappropriés.
- 5) Outils donnés à des tiers à titre gratuit.
- 6) Dommages dus à un mauvais branchement électrique ou à une tension différente de celle indiquée sur la plaque de l'appareil.
- 7) Connexion à une alimentation électrique non reliée à la terre.
- 8) Fluctuation de la tension inacceptable.
- 9) Dommages résultant de l'utilisation d'eau salée (par exemple, machines à laver, pompes).
- 10) Dommages ou dysfonctionnement résultant d'une procédure de nettoyage inadéquate de l'appareil.
- 11) Contact de l'outil avec des produits chimiques, ou dommages résultant de l'humidité ou de la corrosion.
- 12) Les outils qui ont été modifiés ou ouverts par du personnel non autorisé.
- 13) Les outils utilisés à location.

La garantie couvre uniquement le remplacement gratuit du composant qui présente un défaut de fabrication ou une défaillance matérielle. En cas d'absence d'une pièce de rechange spécifique, l'entreprise se réserve le droit de remplacer l'outil par un autre modèle correspondant. Après la conclusion de toutes les procédures de garantie, la période de garantie de l'outil ne sera pas prolongée ou renouvelée. Les pièces de rechange ou les outils remplacés restent en possession de notre société. Les exigences, autres que celles mentionnées dans ce formulaire de garantie, concernant la réparation des outils électriques ou leur endommagement, ne sont pas applicables. La loi grecque et ses règlements s'appliquent à cette garantie.

**IT**

Gli elettrodomestici sono stati fabbricati secondo gli standard rigorosi, stabiliti dalla nostra azienda, che sono allineati con i rispettivi standard di qualità europei. Gli elettrodomestici della nostra azienda sono forniti con un periodo di garanzia di 24 mesi per uso non professionale, 12 mesi per uso professionale e 12 mesi per le batterie e i caricatori. La garanzia è valida dalla data di acquisto del prodotto. La prova del diritto di garanzia è il documento di acquisto dell'utensile (scontrino o fattura). In nessun caso l'azienda coprirà il relativo costo dei pezzi di ricambio e delle rispettive ore di lavoro necessarie se non viene presentata una copia del documento di acquisto. Nel caso in cui la riparazione debba essere effettuata dalla nostra azienda, il costo del trasporto (da e per) è interamente a carico del mittente (cliente). Gli utensili devono essere inviati per la riparazione all'azienda o ad un'officina autorizzata nel modo e nel mezzo di trasporto appropriato.

**ECCEZIONI E LIMITAZIONI ALLA GARANZIA:**

- 1) Pezzi di ricambio che si deteriorano naturalmente con l'uso (pezzi di consumo).
- 2) Utensili danneggiati dal mancato rispetto delle istruzioni del produttore.
- 3) Strumenti con manutenzione insufficiente.
- 4) Uso di lubrificanti o parti inappropriate.
- 5) Strumenti dati gratuitamente.
- 6) Guasto dovuto a un collegamento dell'aria compressa a una pressione diversa da quella indicata sulla targhetta dei dati tecnici.
- 7) Danni derivanti dall'uso di aria compressa impura e non filtrata.
- 8) Danni o malfunzionamenti derivanti da una pulizia inadeguata dell'utensile.
- 9) Contatto dell'utensile con prodotti chimici, o danni da umidità, corrosione.
- 10) Strumenti che hanno subito modifiche - cambiamenti o sono stati aperti da un'officina non autorizzata.
- 11) Strumenti utilizzati per il noleggio.
- 12) Strumenti che sono stati modificati o aperti da personale non autorizzato.
- 13) Strumenti utilizzati per il noleggio.

La garanzia copre solo la sostituzione gratuita del componente che presenta un difetto di fabbricazione o di materiale. In caso di mancanza di un pezzo di ricambio specifico, l'azienda si riserva il diritto di sostituire l'utensile con un altro modello corrispondente. Una volta concluse tutte le procedure di garanzia, il periodo di garanzia dell'utensile non potrà essere esteso o rinnovato. I pezzi di ricambio o gli utensili che vengono sostituiti rimangono in possesso della nostra azienda. I requisiti, diversi da quelli menzionati in questo modulo di garanzia, riguardanti la riparazione di utensili elettrici o il loro danneggiamento, non si applicano. La legge greca e i relativi regolamenti si applicano a questa garanzia.

**AL**

Mjetet e energjisë janë prodhuar sipas standardeve strikte, të vendosura nga kompania jonë, të cilat janë në përputhje me standardet respektive evropiane të cilësisë. Mjetet e energjisë të kompanisë sonë janë siguruar me një periudhë garancie prej 24 muajsh për përdorim jo profesional, 12 muaj për përdorim profesional dhe 12 muaj për bateritë dhe karikuesit. Garancia është e vlefshme nga data e blerjes së produktit. Prova e së drejtës së garancisë është dokumenti i blerjes së mjetit (faturë ose faturë me pakicë). Në asnjë rrethanë ndërmarrja nuk mbulon koston përkatëse të pjesëve të këmbimit dhe orarin përkatës të kërkuar të punës, përveç kur është paraqitur një kopje e dokumentit të blerjes. Në rast se riparimi duhet të bëhet nga departamenti ynë i shërbimit kostoja e transportit (për dhe nga) është tërësisht e mbajtur nga dërguesi (klienti). Mjetet duhet të dërgohen për riparim në ndërmarrje ose në një punishte të autorizuar në mënyrën dhe mjetet e duhura të transportit.

**PËRJASHTIMET DHE KUFIZIMET E GARANCISË:**

- 1) Pjesët rezervë që përdoren në mënyrë natyrale si pasojë e përdorur (furçat, kabllot, ndërruesit, karikuesit, mbytyet etj.).
- 2) Veglat e dëmtuara si rezultat i mosrespektimit të udhëzimeve të prodhuesit.
- 3) Mjetet e mbajtura keq.
- 4) Përdorimi i lubrifikantëve ose aksesoreve të papërshtatshëm.
- 5) Mjetet që u jepen enteëve të treta pa pagesë.
- 6) Dëmtimi për shkak të një lidhje elektrike në një tension tjetër nga ai i treguar në pllakën e pajisjes.
- 7) Lidhja me furnizimin me energji jo tokësore.
- 8) Ndryshimi i tensionit aktual.
- 9) Dëmtimet që vijnë si pasojë e përdorimit të ujit të kripur (p.sh., lavatrice, pompa).
- 10) Dëmtimi ose mosfunksionimi që rezultojn nga procedura e papërshtatshme e pastrimit të mjetit.
- 11) Kontakti i mjetit me kimikate, ose dëmtimi si pasojë e lagështisë ose korrozionit.
- 12) Mjete që janë modifikuar ose hapur nga personel i paautorizuar.
- 13) Veglat e përdorura për qira.

Garancia mbulon vetëm zëvendësimin pa pagesë të komponentit që paraqet një defekt prodhues ose dështim material. Në rast të mungesës së një pjese rezervë specifike kompania rezervon të drejtën për të zëvendësuar mjetin me një model tjetër përkatës. Pasi të jenë përfunduar të gjitha procedurat e garancisë, periudha e garancisë së mjetit nuk do të zgjatet ose të rinovohet. Pjesët e këmbimit ose mjetet që zëvendësohen mbeten në zotërim të kompanisë sonë. Kërkesat, përveç atyre të përmendura në këtë formë garancie, në lidhje me riparimin ose dëmtimin e mjeteve të energjisë elektrike, nuk zbatohen. Ligji grek dhe rregullat relative zbatohen për këtë garancie.

**SRB**

Električni alati su proizvedeni prema strogim standardima koje je postavila naša kompanija a koji su usklađeni sa odgovarajućim evropskim standardima kvaliteta. Električni alati naše kompanije imaju garantni rok od 24 meseca za neprofesionalnu upotrebu, 12 meseci za profesionalnu upotrebu i 12 meseci za baterije i punjače. Garancija važi od dana kupovine proizvoda. Dokaz za pravo na garanciju je dokument o kupovini električnog alata (maloprodajni račun ili faktura). Ni pod kojim okolnosti ma kompanija neće e pokriri relevantne troškove rezervnih delova i potrebno odgovarajuć e radno vreme ako se ne predoči kopija dokumenta o kupovini. U slučaju da popravku treba da uradi naš servis, troškove transporta (do i od) u potpunosti snosi pošiljalac (klijent). Električni alati za popravku se šalju u firmu gde su kupljeni ili u ovlašćeni servis i to tako da budu prikladno upakovani za transport.

**IZUZECI I OGRANIČENJA GARANCIJE:**

- 1) Rezervni delovi koji se prirodno troše kao posledica korišćenja (četkice, kablovi, prekidači, punjači, prigušnice itd).
- 2) Alati oštećeni kao posledica nepoštovanja uputstva proizvođača.
- 3) Alati su loše održavani.
- 4) Upotreba neodgovarajućih maziva ili pribora.
- 5) Alati su dati trećim licima besplatno.
- 6) Oštećenje usled električnog priključka na napon koji nije naznačen na pločici uređaja.
- 7) Povezivanje na neuzemljeno napajanje.
- 8) Promena napona struje.
- 9) Oštećenja nastala upotrebom slane vode (npr. mašine za pranje veša, pumpe).
- 10) Oštećenje ili kvar nastao kao posledica nepravilne procedure čišćenja alata.
- 11) Kontakt alata sa hemikalijama ili oštećenje usled vlage ili korozije.
- 12) Alati koje je modifikovalo ili otvorilo neovlašćeno osoblje.
- 13) Alati koji se koriste za iznajmljivanje.

Garancija pokriva samo besplatnu zamenu komponente koja ima fabričku grešku ili materijalne nedostatke. U slučaju nedostatka rezervnog dela, kompanija zadržava pravo zamene električnog alata drugim odgovarajućim modelom. Nakon isteka garantnog roka, garantni rok električnog alata se ne produžava niti obnavlja. Rezervni delovi ili Električni alati koji su zamenjeni ostaju u posedu naše kompanije. Zahtevi, osim onih navedenih u ovom obrascu garancije, u vezi sa popravkom električnog alata ili njegovim oštećenjem ne važe. Na ovu garanciju se primenjuju grčki zakoni i odgovarajući propisi.

## EN WARRANTY

This appliance is a quality product. It was designed in compliance with current technical standards and made carefully using normal, good quality materials. The warranty period is 24 months for non-professional use and 12 months for professional use and commences on the date of purchase, which can be verified by the receipt, invoice or delivery note. During this warranty period all functional errors, which, despite the careful treatment described in our operating manual, are verifiably due to material flaws, will be rectified by our after-sales service staff. The warranty takes the form that defective parts will be repaired or replaced with perfect parts free of charge at our discretion. Replaced parts will become our property. Repair work or the replacement of individual parts will not extend the warranty period nor will it result in a new warranty period being commenced for the appliance. No separate warranty period will commence for spare parts that may be used. We cannot offer a warranty for damage and defects on appliances or their parts caused by the use of excessive force, improper treatment and servicing. This also applies for failures to comply with the operating manual and the installation or spare and accessory parts that are not included in our range of products. In the event of interference with or modifications to the appliance by unauthorized persons, the warranty will be rendered void. Damages that are attributable to improper handling, over loading, or natural wear and tear are excluded from the guarantee. Damages caused by the manufacturer or by a material defect will be corrected at no charge by repair or by providing spare parts. The prerequisite is that the equipment is handed over assembled, and complete with the proof of sale and guarantee. For a guarantee claim, only use the original packaging. That way, we can guarantee quick and smooth guarantee processing. Please send us the appliances post-paid or request a Freeway sticker. Unfortunately we will be unable to accept appliances that are not postpaid. The warranty does not cover parts that are subject to natural wear and tear. If you wish to make a warranty claim, report faults or order spare parts or accessories, please contact the after-sales center: Subject to change without prior notice.

## DE GARANTIE

Dieses Gerät ist ein Qualitätsprodukt. Es wurde gemäß den aktuellen technischen Standards entworfen und sorgfältig mit normalen, hochwertigen Materialien hergestellt. Die Garantiezeit beträgt 24 Monate bei nicht-professioneller Nutzung und 12 Monate bei professioneller Nutzung und beginnt mit dem Kaufdatum, was anhand von Quittung, Rechnung oder Lieferschein überprüft werden kann. Während dieser Garantiezeit werden alle Funktionsfehler, die trotz der in unserer Bedienungsanleitung beschriebenen sorgfältigen Behandlung nachweislich auf Materialfehler zurückzuführen sind, von unseren Kundendienstmitarbeitern behoben. Die Garantie besteht in der Form, dass defekte Teile nach unserem Ermessen kostenlos repariert oder durch einwandfreie Teile ersetzt werden. Ersetzte Teile werden unser Eigentum. Reparaturarbeiten oder der Austausch einzelner Teile verlängern die Garantiezeit nicht und führen nicht zu einer neuen Garantiezeit für das Gerät. Für eventuell verbrauchte Ersatzteile beginnt keine gesonderte Gewährleistungsfrist. Wir können keine Garantie für Schäden und Mängel an Geräten oder deren Teilen geben, die durch übermäßige Gewaltanwendung, unsachgemäße Behandlung und Wartung verursacht wurden. Dies gilt auch für die Nichtbeachtung der Bedienungsanleitung und der Montage- oder Ersatz- und Zubehörteile, die nicht in unserem Sortiment enthalten sind. Bei Eingriffen in die Änderung durch unbefugte Personen am Gerät erlischt die Garantie. Schäden, die auf unsachgemäße Behandlung, Überlastung oder natürliche Abnutzung zurückzuführen sind, sind von der Garantie ausgeschlossen. Schäden, die vom Hersteller oder durch einen Materialfehler verursacht werden, werden durch Reparatur oder Ersatzteillieferung kostenlos behoben. Voraussetzung ist, dass das Gerät zusammen mit dem Verkaufsbeleg und der Garantie zusammengebaut übergeben wird. Verwenden Sie für einen Garantieanspruch nur die Originalverpackung. Auf diese Weise können wir eine schnelle und reibungslose Garantieabwicklung gewährleisten. Bitte schicken Sie uns die Geräte im Nachhinein oder fordern Sie einen Freeway-Aufkleber an. Geräte, die nicht nachbezahlt werden, können wir leider nicht akzeptieren. Die Garantie erstreckt sich nicht auf Teile, die einem natürlichen Verschleiß unterliegen. Wenn Sie einen Garantieanspruch geltend machen, Fehler melden oder Ersatzteile oder Zubehör bestellen möchten, wenden Sie sich bitte an das Kundendienstcenter: Änderungen vorbehalten.

## FR GARANTIE

Cet appareil est un produit de qualité. Il a été conçu conformément aux normes techniques en vigueur et fabriqué avec soin à l'aide de matériaux usuels et de qualité. La période de garantie est de 24 mois pour une utilisation non professionnelle et 12 mois pour une utilisation professionnelle et débute à la date d'achat. Elle peut être vérifiée sur le reçu, la facture ou le bon de livraison. Pendant cette période de garantie, toutes les erreurs de fonctionnement qui, malgré le traitement minutieux décrit dans notre manuel d'utilisation, sont dues à des défauts matériels, seront corrigées par notre service après-vente. La garantie prend la forme que les pièces défectueuses seront réparées ou remplacées par des pièces parfaites gratuitement à notre discrétion. Les pièces remplacées deviendront notre propriété. Les travaux de réparation ou le remplacement de pièces individuelles ne prolongeront pas la période de garantie et n'entraîneront pas le début d'une nouvelle période de garantie pour l'appareil. Aucune période de garantie séparée ne commencera pour les pièces de rechange susceptibles d'être utilisées. Nous ne pouvons pas offrir de garantie pour les dommages et les défauts des appareils ou de leurs pièces causés par l'utilisation d'une force excessive, un traitement ou un entretien inapproprié. Ceci s'applique également aux cas de non-respect du manuel d'utilisation et de l'installation ou des pièces détachées et accessoires non compris dans notre gamme de produits. En cas d'interférence avec des modifications apportées à l'appareil par des personnes non autorisées, la garantie sera annulée. Les dommages résultant d'une mauvaise manipulation, d'un chargement excessif ou d'une usure naturelle sont exclus de la garantie. Les dommages causés par le fabricant ou par un défaut matériel seront corrigés gratuitement par la réparation ou par la fourniture de pièces de rechange. La condition préalable est que le matériel soit remis assemblé et accompagné de la preuve de vente et de la garantie. Pour une demande de garantie, utilisez uniquement l'emballage d'origine. De cette manière, nous pouvons garantir un traitement rapide et sans heurts des garanties. S'il vous plaît envoyez-nous les appareils post-payés ou demandez un autocollant Freeway. Malheureusement, nous ne pourrions pas accepter les appareils non post-payés. La garantie ne couvre pas les pièces soumises à une usure naturelle. Si vous souhaitez faire une demande de garantie, signaler un défaut ou commander des pièces de rechange ou des accessoires, veuillez contacter le service après-vente: Sujet à modification sans préavis.

## ESP GARANTÍA

Este aparato es un producto de calidad. Fue diseñado de acuerdo con las normas técnicas actuales y se hizo con cuidado utilizando materiales normales y de buena calidad. El período de garantía es de 24 meses para uso no profesional y de 12 meses para uso profesional y comienza en la fecha de compra, que puede verificarse mediante el recibo, la factura o la nota de entrega. Durante este período de garantía, todos los errores funcionales que, a pesar del tratamiento cuidadoso que se describen en nuestro manual de operación, son verificables debido a fallas materiales, serán corregidos por nuestro personal de servicio postventa. La garantía adquiere la forma de que las piezas defectuosas se repararán o reemplazarán con piezas perfectas de forma gratuita a nuestra discreción. Las partes reemplazadas se convertirán en nuestra propiedad. Los trabajos de reparación o el reemplazo de piezas individuales no ampliarán el período de garantía, no dará lugar a que se comience un nuevo período de garantía para el aparato. No se iniciará ningún período de garantía por separado para las piezas de repuesto que puedan ser utilizadas. No podemos ofrecer una garantía por daños y defectos en los aparatos o sus partes causados por el uso excesivo de la fuerza, el tratamiento y el servicio incorrectos. Esto también se aplica a las fallas en el cumplimiento del manual de operación y la instalación o piezas de repuesto y accesorios que no están incluidos en nuestra gama de productos. En caso de interferencia con modificaciones al aparato por parte de personas no autorizadas, la garantía quedará anulada. Los daños que son atribuibles a un manejo inadecuado, sobrecarga o desgaste natural están excluidos de la garantía. Los daños causados por el fabricante o por un defecto de material se corregirán sin costo alguno por reparación o proporcionando piezas de repuesto. El requisito previo es que el equipo se entregue ensamblado y se complete con el comprobante de venta y garantía. Para una reclamación de garantía, utilice únicamente el embalaje original. De esta manera, podemos garantizar un rápido y suave procesamiento de garantías. Por favor, envíenos los electrodomésticos con pospago o solicite una etiqueta de Freeway. Lamentablemente, no podremos aceptar aparatos que no sean de pospago. La garantía no cubre las piezas que están sujetas a desgaste natural. Si desea realizar un reclamo de garantía, informar fallas o solicitar piezas de repuesto o accesorios, comuníquese con el centro de postventa: Sujeto a cambios sin previo aviso.

## IT

### GARANZIA

Questo apparecchio è un prodotto di qualità. È stato progettato in conformità con le attuali norme tecniche e realizzato con attenzione utilizzando materiali normali di buona qualità. Il periodo di garanzia è di 24 mesi per uso non professionale e di 12 mesi per uso professionale e decorre dalla data di acquisto, che può essere verificata tramite ricevuta, fattura o bolla di consegna. Durante questo periodo di garanzia tutti gli errori funzionali, che, nonostante l'accurato trattamento descritto nel nostro manuale operativo, sono verificabili a causa di difetti dei materiali, verranno risolti dal nostro personale di assistenza post-vendita. La garanzia assume la forma che le parti difettose saranno riparate o sostituite con parti perfette gratuitamente a nostra discrezione. Le parti sostituite diventeranno di nostra proprietà. I lavori di riparazione o la sostituzione di singole parti non prolungheranno il periodo di garanzia, poiché non si verificherà un nuovo periodo di garanzia per l'apparecchio. Non inizierà alcun periodo di garanzia separato per i pezzi di ricambio che possono essere utilizzati. Non possiamo offrire una garanzia per danni e difetti su apparecchi o loro parti causati dall'uso di forza eccessiva, trattamento e manutenzione inadeguati. Ciò vale anche per il mancato rispetto del manuale operativo e delle parti di installazione o di ricambio e accessori non inclusi nella nostra gamma di prodotti. In caso di interferenza con modifiche che all'apparecchio da parte di persone non autorizzate, la garanzia sarà invalidata. Sono esclusi dalla garanzia i danni riconducibili a uso improprio, sovraccarico o usura naturale. I danni causati dal prodotto o da un difetto o materiale verranno corretti gratuitamente mediante riparazione o fornitura di pezzi di ricambio. Il presupposto è che l'attrezzatura sia consegnata assemblata e completa con la prova di vendita e garanzia. Per una richiesta di garanzia, utilizzare solo la confezione originale. In questo modo, possiamo garantirvi un'elaborazione della garanzia rapida e agevole. Vi preghiamo di inviarci gli elettrodomestici post-pagamento o richiedere un adesivo Freeway. Purtroppo non saremo in grado di accettare apparecchi che non sono postpagati. La garanzia non copre parti soggette a usura naturale. Se si desidera presentare una richiesta di intervento in garanzia, segnalare guasti o ordinare pezzi di ricambio o accessori, contattare il centro assistenza: soggetto a modifiche senza preavviso.

## SLO

### GARANCIJA

Ta aprava je kakovosten izdelek. Zasnovan je bil v skladu z veljavnimi tehničnimi standardi in skrbno izdelan z običajnimi, kakovostnimi materiali. Garancijsko obdobje je 24 mesecev za neprofesionalno uporabo in 12 mesecev za profesionalno uporabo in se začne na dan nakupa, ki ga je mogoče preveriti s potrdilom o prejemu, računom ali dobavnico. V času garancijskega roka bodo vse funkcionalne napake, ki so kljub skrbni obdelavi, opisani v naših navodilih za uporabo, preverljive zaradi materialnih napak, odpravile naše servisno osebje. Garancija prevzame obliko, da bodo okvarjeni deli po lastni presoji brezplačno popravljene ali zamenjane z brezhibnimi deli. Zamenjani deli bodo postali naša last. Popravila ali zamenjava posameznih delov ne podaljšujejo garancijskega roka, dokler ne začne veljati nova garancijska doba za napravo. Za rezervne dele, ki se lahko pojavijo, se ne bo začelo ločeno garancijsko obdobje. Ne moremo ponuditi garancije za poškodbe in napake na napravah ali njihovih delih zaradi uporabe prekomerne sile, nepravilne obdelave in servisiranja. To velja tudi za neupoštevanje navodil za uporabo in namestitve ali rezervnih delov in dodatkov, ki niso vključeni v našo paleto izdelkov. V primeru motenj v napravi s strani nepooblaščenih oseb, se garancija razveljavi. Poškodbe, ki so posledica nepravilnega ravnanja, obremenitve ali naravne obrabe, so izključene iz garancije. Poškodbe, ki jih povzroči proizvajalec ali materialna napaka, se bodo popravile ali popravile z zagotavljanjem rezervnih delov. Predpogoj je, da se oprema preda sestavljena in skupaj z dokazilom o prodaji in garancijo. Za garancijski zahtevek uporabite samo originalno embalažo. Tako lahko zagotovimo hitro in gladko obdelavo garancij. Prosimo, pošljite nam naprave po plačilu ali zahtevajte nalepko za Freeway. Na žalost ne bomo mogli sprejeti naprav, ki niso postpaid. Garancija ne zajema delov, ki so predmet naravne obrabe. Če želite vložiti zahtevek za garancijo, prijaviti napake ali naročiti nadomestne dele ali dodatno opremo, se obrnite na spodnji prodajni center: Pridržujemo si pravico do sprememb brez predhodnega obvestila.

## MLT

### GARANYIJA

Dan l-apparat huwa prodott ta' kwalità. Kienet imfassla f'konformità mal-istandards tekniċi attwali u saret b'attenzjoni bl-użu ta' materjali normali u ta' kwalità tajba. Il-perjodu tal-garanzija huwa ta' 24 xahar għal użu mhux professjonali u 12-il xahar għall-użu professjonali u jibda fid-data tax-xiri, li jista' jiġi vverifikat bir-riċevuta, fattura jew nota tal-kunsinna. Matul dan il-perjodu ta' garanzija l-iżbalji funzjonali kollha, li, minkejja t-trattament bir-reqq deskritt fil-manwal operattiv tagħna, huma verifikabbli minħabba difetti materjali, se jiġu kkoreġuti mill-istaff tagħna tas-servizz ta' wara l-bejgħ. Il-garanzija tiegħu l-forma li partijiet difettużi se jissewewew jew jiġu sostitwiti bi partijiet perfetti bla ħlas fid-diskreżjoni tagħna. Partijiet mibdula jsiru proprjetà tagħna. Ix-xogħol ta' tiswija jew is-sostituzzjoni ta' partijiet individwali ma jestendux il-perjodu ta' garanzija mhux se jirriżulta f'li jibda perjodu ġdid ta' garanzija għall-apparat. Ma jibda l-ebda perjodu ta' garanzija separat għal spare parts li jistgħu jiġu ted. Ma nistgħux noffru garanzija għal ħsara u difetti fuq l-apparat jew il-partijiet tagħhom ikkawżati mill-użu ta' forza eċċessiva, trattament mhux xieraq u manutenzjoni. Dan japplika wkoll għal nuqqasijiet ta' konformità mal-manwal tat-thaddim u l-installazzjoni jew partijiet ta' rikambju u aċċessorji li mhumiex inkluzi fil-firxa ta' prodotti tagħna. Fil-każ ta' interferenza ma' modifiki fl-apparat minn persuni mhux awtorizzati, il-garanzija ssir nulla. Ħsarat li huma attribwiti għal immaniġġjar hażin, tagħbija żejda, jew xedd u kedd naturali huma esklużi mill-garanzija. Danni kkawżati mill-manifattur jew minn difett materjali se jiġu kkoreġuti mingħajr ħlas permezz ta' tiswija jew billi jiġu pprovduti spare parts. Il-pre-rekwiżit huwa li t-tagħmir jiġi mgħoddi immuntat, u komplut bil-prova tal-bejgħ u l-garanzija. Għal talba ta' garanzija, uża biss l-imballaġġi originali. B'dan il-mod, nistgħu nigarantixxu proċessar ta' garanzija malajr u bla xkiel. Jekk jogħġbok ibgħatlna l-appliances post-paid jew itlob stiker tal-Freeway. Sfortunatament ma nkunux nistgħu naċċettaw apparat li ma jithallasx wara. Il-garanzija ma tkoprix partijiet li huma soġġetti għal ilbies u kedd naturali. Jekk tixtieq tagħmel talba għall-garanzija, irrapporta ħsarat jew tordna spare parts jew aċċessorji, jekk jogħġbok ikkuntatt ja ċ-ċentru ta' wara l-bejgħ: Soġġett għal bidla mingħajr avviż minn qabel.

## SK

### ZÁRUKA

Tento spotřebič je kvalitní výrobek. Bol navrhnutý v súlade s platnými technickými normami a opatrne používal bežné a kvalitné materiály. Záručná doba je 24 mesiacov na neprofesionálne použitie a 12 mesiacov na profesionálne použitie a začína plynúť dátumom nákupu, ktorý je možné overiť potvrdením, faktúrou alebo dodacím listom. Počas tejto záručnej lehoty všetky funkčné chyby, ktoré napriek starostlivej úprave popísanej v našom návode na obsluhu sú overiteľné z dôvodu materiálnych nedostatkov, opravujú naši pracovníci popredajného servisu. Záruka má formu, že vadné časti budú opravené alebo nahradené perfektnými dielmi bezplatne podľa nášho uváženia. Nahradené diely sa stanú našimi vlastnosťami. Opravné práce alebo výmena jednotlivých dielov predĺženie záručnej lehoty nevedie k vzniku novej záručnej lehoty pre spotrebič. Za náhradné diely, ktoré môžu byť dodané, sa nezačína samostatná záručná lehota. Nemôžeme ponúknuť záruku na poškodenie a poškodenie spotrebičov alebo ich častí spôsobené nadmernou silou, nesprávnou obsluhou a servisom. Platí to aj pre poruchy v súlade s návodom na obsluhu a inštaláciou alebo náhradnými dielmi a príslušenstvom, ktoré nie sú súčasťou našej ponuky. V prípade zásahu do modifikácie spotrebiča neoprávnenými osobami sa záruka stane neplatnou. Škody, ktoré sú spôsobené nesprávnou manipuláciou, nadmerným zaťažením alebo prirodzeným opotrebovaním, sú z záruky vylúčené. Škody spôsobené výrobcom alebo chybou materiálu budú opravené bezplatne opravou alebo poskytnutím náhradných dielov. Predpokladom je, že zariadenie je odovzdané a kompletné s dokladom o predaji a zárukou. Pokiaľ ide o nárok na záruku, použite iba pôvodný obal. Týmto spôsobom môžeme zaručiť rýchle a plynulé spracovanie záruky. Pošlite nám, prosím, spotrebiče, ktoré ste už zaplatili, alebo požiadajte o nálepku Freeway. Bohužiaľ nebudeme môcť prijať zariadenia, ktoré nie sú vyplatené. Záruka sa nevzťahuje na časti, ktoré sú vystavené prirodzenému opotrebovaniu. Ak chcete požiadať o záruku, oznámiť chyby alebo objednať náhradné diely alebo príslušenstvo, obráťte sa na nižšie uvedené stredisko popredajného servisu: Podliehajú zmenám bez predchádzajúceho upozornenia.



## BG ГАРАНЦИЯ

Този уред е качествен продукт. Той е проектиран в съответствие с действащите технически стандарти и е направен внимателно при използване на нормални, качествени материали. Гаранционният срок е 24 месеца за непрофесионално ползване и 12 месеца за професионална употреба и започва да тече от датата на покупката, която може да бъде потвърдена с квитанция, фактура или документ за доставка. По време на този гаранционен период всички функционални грешки, които, въпреки внимателното третиране, описано в нашето ръководство за експлоатация, са проверими поради материални недостатъци, ще бъдат отстранени от нашия сервизен персонал. Гаранцията приема формата, в която дефектните части ще бъдат ремонтирани или заменени с перфектни части безплатно по наше усмотрение. Подменените части ще станат наша собственост. Ремонтните работи или подмяната на отделни части няма да удължат гаранционния срок, без това да доведе до започване на нов гаранционен период за уреда. За резервни части, които могат да бъдат поставени, няма да започне отделен гаранционен срок. Не можем да предложим гаранция за повреди и дефекти на уредите или техните части, причинени от използването на прекомерна сила, неправилно третиране и обслужване. Това важи и за неспазване на ръководството за експлоатация и инсталацията, както и резервни и допълнителни части, които не са включени в нашата гама от продукти. В случай на намеса в модификации на уреда от неупълномощени лица, гаранцията ще бъде премахната. Щети, които се дължат на неправилно боравене, натоварване или естествено износване, са изключени от гаранцията. Щети, причинени от производителя или от дефект на материала, ще бъдат поправени без заплащане чрез ремонт или чрез предоставяне на резервни части. Предпоставка е оборудването да се съблява и да се допълни с доказателство за продажба и гаранция. За гаранционна претенция използвайте само оригиналната опаковка. По този начин можем да гарантираме бърза и гладка обработка на гаранциите. Моля, изпратете ни уредите след плащане или заявете стикер на Freeway. За съжаление няма да можем да приемаме уреди, които не са с абонамент. Гаранцията не покрива части, които са обект на естествено износване. Ако желаете да направите гаранционна претенция, да съобщите за неизправности или да поръчате резервни части или аксесоари, моля свържете се с центъра за поддръжка: Подлежи на промяна без предизвестие.

## RO GARANȚIE

Acest aparat este un produs de calitate. A fost proiectat în conformitate cu standardele tehnice actuale și a făcut cu atenție materiale normale, de bună calitate. Perioada de garanție este de 24 de luni pentru uz neprofesionist și de 12 luni pentru uz profesional și începe la data cumpărării, care poate fi verificată prin chitanță, factură sau buletin de livrare. În timpul acestei perioade de garanție, toate erorile funcționale, care, în ciuda tratamentului atent descris în manualul nostru de utilizare, sunt verifiabile din cauza defectelor materiale, vor fi rectificate -cate de personalul nostru de service post-vânzare. Garanția ia forma faptului că piesele defecte vor fi reparate sau înlocuite cu piese perfecte gratuit, la discreția noastră. Piesele înlocuite vor deveni proprietatea noastră. Lucrările de reparații sau înlocuirea pieselor individuale nu vor prelunge perioada de garanție, deoarece nu vor duce la începerea unei noi perioade de garanție pentru aparat. Nu se va începe nici o perioadă de garanție separată pentru piesele de schimb care pot fi incluse. Nu putem oferi o garanție pentru defecțiunile și defectele aparatelor sau ale pieselor acestora cauzate de utilizarea forței excesive, tratarea necorespunzătoare și întreținerea. Acest lucru se aplică și în caz de nerespectare a manualului de utilizare și a pieselor de instalare sau de rezervă și accesoriilor care nu sunt incluse în gama noastră de produse. În caz de interferență cu modifiările carele aduse aparatului de către persoane neautorizate, garanția va fi anulată. Daunele care pot fi atribuite manipulării necorespunzătoare, supraîncălzirii sau uzurii naturale sunt excluse din garanție. Deteriorările cauzate de producător sau de un defect material vor fi corectate gratuit, prin reparații sau prin furnizarea de piese de schimb. Condiția prealabilă este ca echipamentul să fi predat în asamblare și să fi completat cu dovada vânzării și a garanției. Pentru o cerere de garanție, utilizați numai ambalajul original. În acest fel, putem garanta procesarea rapidă și fără probleme a garanției. Trimiteți-ne aparatele post-plăți te sau solicitați un autocolant Freeway. Din păcate, nu vom putea accepta dispozitive care nu sunt plătiți te postpaid. Garanția nu acoperă piese care sunt supuse uzurii naturale. Dacă doriți să solicitați o garanție, să semnalați defecțiuni sau să comandați piese de schimb sau accesorii, vă rugăm să contactați centrul de asistență tehnică: Pot fi modificate fără o notificare prealabilă.

## NMK GARANCIA

Овој уред е квалитетен производ. Дизајниран е во согласност со тековните технички стандарти и направен е внимателно со употреба на нормални, квалитетни материјали. Гарантниот период е 24 месеци за непрофесионална употреба и 12 месеци за професионална употреба и започнува на датумот на купување, што може да се потврди со потврда, фактура или испратница. За време на овој гарантен период, сите функционални грешки, кои, и покрај внимателниот третман опишан во нашето упатство за работа, се проверливи поради материјални недостатоци, ќе бидат поправени од нашиот персонал по продажбата. Гаранцијата има форма дека неисправните делови ќе бидат поправени или заменети со совршени делови бесплатно по наша дискреција. Заменетите делови ќе станат наша сопственост. Работата за поправка или замената на поединечни делови нема да го продолжи гарантниот период и нема да резултира со започнување на нов гарантен период за апаратот. Нема да започне посебен гарантен период за резервните делови што може да се тераат. Не можеме да понудиме гаранција за оштетувања и дефекти на апаратите или нивните делови предизвикани од употреба на прекумерна сила, несоодветен третман и сервисирање. Ова исто така важи и за неусогласеност со упатството за работа и инсталацијата или резервните и дополнителните делови кои не се вклучени во нашата палета на производи. Во случај на мешање на модификации на апаратот од страна на неовластени лица, гаранцијата ќе се поништи. Штетите што се припишуваат на неправилно ракување, прекумерно оптоварување или природно абеење се исклучени од гаранцијата. Штетите предизвикани од производителот или од материјален дефект ќе се коригираат бесплатно со поправка или со обезбедување резервни делови. Предуслов е опремата да биде предадена склопена, и комплетна со доказ за продажба и гаранција. За гаранција, користете го само оригиналното пакување. На тој начин, можеме да гарантираме брза и непречена обработка на гаранциите. Ве молиме испратете ни ги апаратите пост-пејд или побарајте налепница за автопат. За жал, нема да можеме да прифатиме апарати што не се постпејд. Гаранцијата не опфаќа делови кои се предмет на природно абеење и кинење. Доколку сакате да поднесете барање за гаранција, да пријавите дефекти или да нарачате резервни делови или додатоци, ве молиме контактирајте го постпродажниот центар: Може да се промени без претходна најава.

## HUN GARANCIA

Ez a készülék minőségi termék. Úgy tervezték, hogy megfeleljen a jelenlegi műszaki szabványoknak, és gondosan, normál, jó minőségű anyagokkal készült. A jótállási idő nem professzionális használat esetén 24 hónap, szakmai használat esetén 12 hónap, és a vásárlás napján kezdődik, amelyet a kézhezvétellel, a számla vagy a kézbesítési értesítés igazolhat. A garanciaidő alatt minden olyan funkcionális hiba, amely az üzemeltetési utasításunkban leírt gondos kezelés ellenére bizonyíthatóan az anyagi hibák miatt következik be, a vevőszolgálatunk javítja. A garancia olyan formája, hogy a hibás alkatrészek javítása vagy cseréje a tökéletes alkatrészekkel ingyenes. A cserélt részek tulajdonunk lesz. A javítási munkák vagy az egyes részek cseréje nem hosszabbítja meg a jótállási időszakot, és nem eredményez új garanciaidő megkezdését a készülék számára. Nincs külön garanciaidő a pótalkatrészek esetén. Nem nyújtunk garanciát a készülékek vagy alkatrészeik károsodására és hibáira a túlzott erő, a helytelen kezelés és a karbantartás miatt. Ez vonatkozik az üzemeltetési utasítás és a telepítés, illetve a tartalék és tartozék alkatrészeinek meg nem felelésére is, amelyek nem tartoznak a termékínálatunkba. Abban az esetben, ha a készülék jogosulatlan személy általi módosításai zavarnak, a garancia érvényét veszti. A nem megfelelő kezelés, a terhelés vagy a természetes kopás okozta károk nem tartoznak a garancia hatálya alá. A gyártó vagy az anyaghiba által okozott károkat a javítás vagy a pótalkatrészek beszerzése nélkül kijavítják. Az előfeltétel az, hogy a berendezést összeszerelték, és az értékesítés és a garancia igazolásával kiegészüljön. A garancia igényléséhez csak az eredeti csomagolást használja. Így garantálhatjuk a gyors és zökkenőmentes garanciafeldolgozást. Kérjük, küldje el nekünk a készüléket utólag fizetett vagy kérjen Freeway matricát. Sajnos nem tudjuk elfogadni a nem utólag fizetett készülékeket. A garancia nem terjed ki a természetes kopásnak kitett alkatrészekre. Ha garanciális igényt kíván nyújtani, hibákat jelenteni vagy pótalkatrészeket vagy tartozékokat rendelni, kérjük, vegye fel a kapcsolatot az alábbi értékesítési központtal: Előzetes értesítés nélkül változhat.

## POL GWARANCJA

To urządzenie jest produktem wysokiej jakości. Został zaprojektowany zgodnie z aktualnymi standardami technicznymi i wykonany starannie przy użyciu zwykłych, dobrej jakości materiałów. Okres gwarancji wynosi 24 miesiące w przypadku użytku nieprofesjonalnego i 12 miesięcy w przypadku użytku profesjonalnego i rozpoczyna się w dniu zakupu, który można zweryfikować za pomocą paragonu, faktury lub dowodu dostawy. W okresie gwarancji wszystkie błędy funkcjonalne, które pomimo starannego traktowania opisanego w naszej instrukcji obsługi, są weryfikowalne przez wady materiałowe, zostaną naprawione przez nasz personel obsługi posprzedażnej. Gwarancja ma formę, w której wadliwe części zostaną naprawione lub wymienione na części zamiennie bezpłatnie według naszego uznania. Wymienione części staną się naszą własnością. Naprawa lub wymiana pojedynczych części nie przedłuży okresu gwarancji, nie spowoduje to rozpoczęcia nowego okresu gwarancyjnego dla urządzenia. Nie rozpocznie się oddzielny okres gwarancji na części zamiennie, które mogą być używane. Nie możemy zaoferować gwarancji na uszkodzenia i usterki urządzeń lub ich części spowodowane użyciem nadmiernej siły, niewłaściwego traktowania i serwisowania. Dotyczy to również nieprzestrzegania instrukcji obsługi i instalacji lub części zamiennych i akcesoriów, które nie są zawarte w naszej ofercie produktów. W przypadku ingerencji w modyfikacje urządzenia przez osoby nieuprawnione, gwarancja zostanie unieważniona. Szkody, które można przypisać niewłaściwej obsłudze, nadmiernemu obciążeniu lub naturalnemu zużyciu, są wyłączone z gwarancji. Uszkodzenia spowodowane przez producenta lub wadę materiałową zostaną naprawione bezpłatnie przez naprawę lub przez dostarczenie części zamiennych. Warunkiem wstępnym jest przekazanie sprzętu w komplecie wraz z dowodem sprzedaży i gwarancją. W przypadku reklamacji należy używać tylko oryginalnego opakowania. W ten sposób możemy zagwarantować szybkie i płynne przetwarzanie gwarancji. Prześlij nam urządzenia post-paid lub zamów naklejkę na autostradę. Niestety nie będziemy mogli akceptować urządzeń, które nie są opłacane z dołu. Gwarancja nie obejmuje części ulegających naturalnemu zużyciu. Jeśli chcesz zgłosić roszczenie gwarancyjne, zgłośić usterki lub zamówić części zamiennie lub akcesoria, skontaktuj się z następującym centrum obsługi posprzedażnej: Zastrzega się możliwość zmian bez uprzedzenia.

## ALB GARANCIA

Kjo pajisje është një produkt cilësor. Washtë hartuar në përputhje me standardet aktuale teknike dhe është bërë me kujdes duke përdorur materiale normale, me cilësi të mirë. Periudha e garancisë është 24 muaj për përdorim jo profesional dhe 12 muaj për përdorim profesional dhe fillon në datën e blerjes, e cila mund të vërtetohet me faturën, faturën ose dorëzimin. Gjatë kësaj periudhe garancie, të gjitha gabimet funksionale, të cilat, përkundër trajtimit të kujdesshëm të përkthuesit në manualin tonë të funksionimit, janë verifikueshëm për shkak të metave të materialit, do të korrigjohen nga stafi ynë i shërbimit pas shitjes. Garancia merr formën që pjesët e dëmtuara do të riparohen ose zëvendësohen me pjesët të përsosura falas, sipas gjykimit tonë. Pjesët e zëvendësuara do të bëhen pronë jonë. Puna e riparimit ose zëvendësimit i pjesëve individuale nuk do të zgjasë periudhën e garancisë, por nuk do të rezultojë në fillimin e një periudhe të re garancie për pajisjen. Asnjë periudhë e veçantë e garancisë nuk do të fillojë për pjesët rezervë që mund të merren. Në nuk mund të ofrojmë një garanci për dëmtimin dhe defektet e pajisjeve ose pjesëve të tyre të shkaktuara nga përdorimi i forcës së tepërt, trajtimi dhe shërbimi i pahijshëm. Kjo gjithashtu vlen për dështimet në përputhje me manualin e funksionimit dhe instalimin ose pjesët rezervë dhe aksesorë që nuk përfshihen në gamën tonë të produkteve. Në rast ndërhyrje në modifikimet e pajisjes nga persona të paautorizuar, garancia do të hiqet. Dëmet që mund t'i atribuohen trajtimit të pahijshëm, ngarkimit të tepërt, ose konsumit natyror, përjashtohen nga garancia. Dëmet e shkaktuara nga prodhuesi ose nga një defekt i materialit do të korrigjohen pa pagesë me riparim ose duke siguruar pjesë këmbimi. Parakushti është që pajisjet të dorëzohen të montuara, dhe të kompletuara me provën e shitjes dhe garancisë. Për një kërkesë garancie, përdorni vetëm paketimin origjinal. Në atë mënyrë, ne mund të garantojmë përpunim të shpejtë dhe të qetë të garancisë. Ju lutemi na dërgoni pajisjet me postë të paguar ose kërkoni një afishe autostradë. Për fat të keq, ne nuk do të jemi në gjendje të pranohim pajisje që nuk janë me kontratë. Garancia nuk përfshin pjesë që i nënshtrohen konsumit natyror. Nëse dëshironi të bëni një kërkesë për garanci, të raportoni gabime ose të porosisni pjesë rezervë ose pajisje, ju lutemi kontaktoni qendrën pas shitjes: Subjekti për të ndryshuar pa njëfjalim paraprak.

## HR JAMSTVO

Ovaj je uređaj kvalitetan proizvod. Dizajniran je u skladu s trenutnim tehničkim standardima i izrađen je pažljivo koristeći normalne, kvalitetne materijale. Garancijsko razdoblje je 24 mjeseca za neprofesionalnu upotrebu i 12 mjeseci za profesionalnu uporabu i započinje datumom kupnje, što se može potvrditi potvrdom primitka, računa ili dostavnice. Tijekom ovog jamstvenog razdoblja sve će funkcionalne pogreške, koje su unatoč pažljivom postupanju opisanom u našem priručniku za upotrebu provjerljivo zbog materijalnih nedostataka, otkloniti od strane našeg servisnog osoblja. Jamstvo ima oblik da će se oštećeni dijelovi besplatno popraviti ili zamijeniti savršenim dijelovima, po našem nahođenju. Zamijenjeni dijelovi postat će naše vlasništvo. Popravak ili zamjena pojedinih dijelova neće produžiti jamstveno razdoblje, jer neće rezultirati novim jamstvenim rokom za uređaj. Neće započeti zasebni jamstveni rok za rezervne dijelove koji se mogu trošiti. Ne možemo pružiti jamstvo za oštećenja i oštećenja uređaja ili njihovih dijelova uzrokovanih prekomjernom silom, nepravilnim postupanjem i servisiranjem. To se također odnosi i na neusklađivanje s uputama za uporabu i instalacijskim ili rezervnim i pomoćnim dijelovima koji nisu uključeni u naš asortiman proizvoda. U slučaju ometanja neovlaštenih osoba na izmjenama uređaja, jamstvo će se poništiti. Oštećenja koja se mogu pripisati nepravilnom rukovanju, preopterećenju ili prirodnom habanju isključena su iz jamstva. Štete uzrokovane proizvođačem ili oštećenjem materijala ispravit će se besplatnim popravkom ili osiguravanjem rezervnih dijelova. Predviđet je da se oprema preda u sastavu, zajedno s dokazom o prodaji i garancijom. Za garancijski zahtjev koristite samo originalno pakiranje. Na taj način možemo jamčiti brzu i glatku obradu jamstava. Pošaljite nam uređaje naknadno ili zatražite naljepnicu autoputa. Nažalost, nećemo biti u mogućnosti prihvatiti uređaje koji nisu pretplaćeni. Jamstvo ne obuhvaća dijelove koji su podložni prirodnom habanju. Ako želite podnijeti zahtjev za jamstvom, prijaviti kvarove ili naručiti rezervne dijelove ili pribor, molimo kontaktirati najbliži prodajni centar: Podložno promjenama bez prethodne najave.

## SRB ГАРАНЦИЈА

Ovaj aparat je kvalitetan proizvod. Dizajniran je u skladu sa trenutnim tehničkim standardima i rađen pažljivo koristeći normalne, kvalitetne materijale. Garantni rok je 24 meseca. Garantni rok je 24 meseca za neprofesionalno korišćenje i 12 meseci za profesionalnu upotrebu i započinje danom kupovine, što se može verifikovati primaњem, fakturnom ili otpremnicom. Tokom ovog garantnog perioda, sve funkcionalne greške koje se, uprkos pažljivom postupanju opisanom u našem uputstvu za upotrebu, verovatno mogu proveriti zbog materijalnih nedostataka, otkloniće od strane našeg servisnog osoblja. Garancija dobija oblik da će se neispravni delovi popraviti ili zameniti savršenim delovima besplatno po našem nahođenju. Zameњeni delovi postaće naše vlasništvo. Popravci ili zamena pojedinih delova neće produžiti garantni rok jer neće rezultirati novim garancijskim rokom za aparat. Neće početi poseban garantni rok za rezervne delove koji se mogu napuniti. Ne možemo pružiti garanciju za oštećenja i oštećenja uređaja ili њихових delova nastalih prekomernom silom, nepravilnim tretmanom i servisiraњem. Ovo se takođe odnosi i na nepoštovaње uputstva za upotrebu i instalacionih ili rezervnih i pomoćnih delova koji nisu obuhvaćeni našim asortimanom proizvoda. U slučaju ometaња modifikacija uređaja od strane neovlašћених osoba, garancija će se poništiti. Oštećenja koja se mogu pripisati nepravilnom ruковању, preopterećenju ili prirodnom habaњу su isključena iz garancije. Oštećenja nastala od strane proizvođača ili oštećenja materijala ispravljaće se ili popravlaњem rezervnih delova besplatno. Preuslov je da se oprema preda u sastavu, zajedno sa dokazom o prodaji i garancijom. Za zahtev o garanciji koristite samo originalno pakovaње. Na taj начин možemo garantovati brzu i glatku obradu garancija. Pošaljite nam uređaje naknadno ili zatražite nalepnicu sa autoputa. Nažalost, nećemo biti u mogućnosti da prihvatimo uređaje koji nisu plaćeni. Garancija ne pokriva delove koji su izloženi prirodnom habaњу. Ako želite da podnesete zahtev za garancijom, prijavite greške ili naručite rezervne delove ili dodatnu opremu, molimo kontaktirati doњи prodajni centar: Moгу се променити без претходне најаве.



