

BORMANN®



BSS1450

042617

v2.2

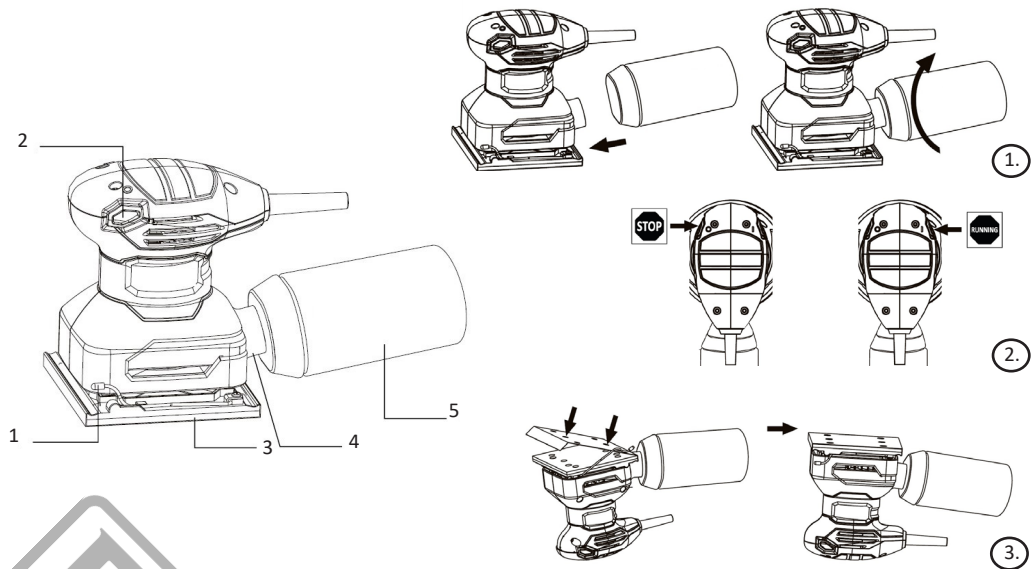


WWW.NIKOLAOUTOOLS.GR

2 YEARS
WARRANTY

DESCRIPTION OF MAIN PARTS / ΠΕΡΙΓΡΑΦΗ ΚΥΡΙΩΝ ΤΜΗΜΑΤΩΝ

- 1. Sanding sheet clamping system
- 2. ON/OFF trigger
- 3. Sanding plate
- 4. Dust extraction system
- 5. Adapter



Intended Use

The palm sander is designed and may only be used for dry sanding work and polishing. It is suitable for working on wood, metal, plaster, plastic and filler surfaces. It can also be used for removing rust, old paint and intermediate sanding. Any other use is expressly prohibited and is considered misuse. The manufacturer cannot be held responsible for damage or injury caused by misuse of the product.

Technical Data

Model	BSS1450
Rated input power	230 Watt
Rated voltage & frequency	230 V / 50 Hz
No load speed	13.500 rpm
Pad size	115 x 110 mm
Oscillating circuit diameter	1,6 mm
Power cable	2 m
Accessories	- Dust bag - 1pc # 80 sanding paper

* The manufacturer reserves the right to make minor changes to product design and technical specifications without prior notice unless these changes significantly affect the performance and safety of the products. The parts described / illustrated in the pages of the manual that you hold in your hands may also concern other models of the manufacturer's product line with similar features and may not be included in the product you just acquired.

* To ensure the safety and reliability of the product and the warranty validity, all repair, inspection, repair or replacement work, including maintenance and special adjustments, must only be carried out by technicians of the authorized service department of the manufacturer.

* Always use the product with the supplied equipment. Operation of the product with non-provided equipment may cause malfunctions or even serious injury or death. The manufacturer and the importer shall not be liable for injuries and damages resulting from the use of non-conforming equipment.

Σκοπούμενη Χρήση

Το τριβείο χούφτας έχει σχεδιαστεί και μπορεί να χρησιμοποιηθεί μόνο για εργασίες ξηρής λείανσης και στιλβωσης. Είναι κατάλληλο για εργασίες σε ξύλο, μέταλλο, γύψο, πλαστικό και επιφάνειες από γυαλόχαρτο. Μπορεί επίσης να χρησιμοποιηθεί για την αφαίρεση σκουριάς, παλιάς βαφής και ενδιάμεση λείανση. Οποιαδήποτε άλλη χρήση απαγορεύεται ρητά και θεωρείται κακή χρήση. Ο κατασκευαστής δεν μπορεί να θεωρηθεί υπεύθυνος για ζημιές ή τραυματισμούς που προκαλούνται από κακή χρήση του προϊόντος.

Τεχνικά Χαρακτηριστικά

Μοντέλο	BSS1450
Ονομαστική ισχύς εισόδου	230 Watt
Ονομαστική τάση & συχνότητα	230 V / 50 Hz
Ταχύτητα άνευ φορτίου	13.500 rpm
Πέλμα	115 x 110 mm
Διάμετρος ταλάντωσης	1,6 mm
Καλώδιο τροφοδοσίας	2 m
Παρελκόμενα	- 1 σακούλα σκόνης - 1 τμχ γυαλόχαρτο # 80

* Ο κατασκευαστής διατηρεί το δικαίωμα να πραγματοποιήσει δευτερεύουσες αλλαγές στο σχεδιασμό του προϊόντος και στα τεχνικά χαρακτηριστικά χωρίς προηγούμενη ειδοποίηση, εκτός εάν οι αλλαγές αυτές επηρεάζουν σημαντικά την απόδοση και λειτουργία ασφάλειας των προϊόντων. Τα εξαρτήματα που περιγράφονται / απεικονίζονται στις σελίδες του εγχειριδίου που κρατάτε στα χέρια σας ενδέχεται να αφορούν και σε άλλα μοντέλα της σειράς προϊόντων του κατασκευαστή, με παρόμοια χαρακτηριστικά, και ενδέχεται να μην περιλαμβάνονται στο προϊόν που μόλις αποκτήσατε.

* Για να διασφαλιστεί η ασφάλεια και η αξιοπιστία του προϊόντος καθώς και η ισχύς της εγγύησης όλες οι εργασίες επιδιόρθωσης, ελέγχου, επισκευής ή αντικατάστασης συμπεριλαμβανομένης της συντήρησης και των ειδικών ρυθμίσεων, πρέπει να εκτελούνται μόνο από τεχνικούς του εξουσιοδοτημένου τμήματος Service του κατασκευαστή.

* Χρησιμοποιείτε πάντα το προϊόν με τον παρεχόμενο εξοπλισμό. Η λειτουργία του προϊόντος με μη-προβλεπόμενο εξοπλισμό ενδέχεται να προκαλέσει βλάβη ή ακόμα και σοβαρό τραυματισμό ή θάνατο. Ο κατασκευαστής και ο εισαγωγέας ουδεμία ευθύνη φέρει για τραυματισμούς και βλάβες που προκύπτουν από την χρήση μη προβλεπόμενου εξοπλισμού.

GENERAL SAFETY INSTRUCTIONS FOR POWER TOOLS



WARNING! READ THROUGH THE INSTRUCTIONS FOR USE BEFORE STARTING UP THE EQUIPMENT. Failure to follow all instructions listed below, may result in electric shock, fire and /or serious personal injury. Persons, who are not familiar with the instructions, may not operate the equipment. Keep the instructions for use in safe custody. Children and youths are not permitted to operate the equipment.



Wear safety goggles



Double insulation



Wear ear protection



Read the instructions before using the tool



Always use breathing apparatus when machining dust generating materials.



Wear safety gloves

Note: Refer to page 2 for the product's technical data.

Work area safety

1. Keep work area clean and well lit. Cluttered or dark areas invite accidents.
2. Do not operate power tools in explosive atmospheres, such as in the presence of flammable liquids, gases or dust. Power tools create sparks which may ignite the dust or fumes.
3. Keep children and bystanders away while operating a power tool. Distractions can cause you to lose control.

Electrical Safety

1. Power tool plugs must match the outlet. Never modify the plug in any way. Do not use any adapter plugs with earthed (grounded) power tools. Unmodified plugs and matching outlets will reduce risk of electric shock.
2. Avoid body contact with earthed or grounded surfaces, such as pipes, radiators, ranges and refrigerators. There is an increased risk of electric shock if your body is earthed or grounded.
3. Do not expose power tools to rain or wet conditions. Water entering a power tool will increase the risk of electric shock.
4. Do not abuse the cord. Never use the cord for carrying, pulling or unplugging the power tool. Keep cord away from heat, oil, sharp edges or moving parts. Damaged or entangled cords increase the risk of electric shock.
5. When operating a power tool outdoors, use an extension cord suitable for outdoor use. Use of a cord suitable for outdoor use reduces the risk of electric shock.
6. If operating a power tool in a damp location is unavoidable, use a residual current device (RCD) protected supply. Use of an RCD reduces the risk of electric shock.

Personal Safety

1. Stay alert, watch what you are doing and use common sense when operating a power tool. Do not use a power tool while you are tired or under the influence of drugs, alcohol or medication. A moment of inattention while operating power tools may result in serious personal injury.
2. Use personal protective equipment. Always wear eye protection. Protective equipment such as a dust mask, non-skid safety shoes, hard hat or hearing protection used for appropriate conditions will reduce personal injuries.
3. Prevent unintentional starting. Ensure the switch is in the off-position before connecting to power source and/or battery pack, picking up or carrying the tool. Carrying power tools with your finger on the switch or energising power tools that have the switch on invites accidents.
4. Remove any adjusting key or wrench before turning the power tool on. A wrench or a key left attached to a rotating part of the power tool may result in personal injury.
5. Do not overreach. Keep proper footing and balance at all times. This enables better control of the power tool in unexpected situations.
6. Dress properly. Do not wear loose clothing or jewellery. Keep your hair and clothing away from moving parts. Loose clothes, jewellery or long hair can be caught in moving parts.
7. If devices are provided for the connection of dust extraction and collection facilities, ensure these are connected and properly used. Use of dust collection can reduce dust-related hazards.
8. Do not let familiarity gained from frequent use of tools allow you to become complacent and ignore tool safety principles. A careless action can cause severe injury within a fraction of a second.

Power tool use and care

1. Do not force the power tool. Use the correct power tool for your application. The correct power tool will do the job better and safer at the rate for which it was designed.
2. Do not use the power tool if the switch does not turn it on and off. Any power tool that cannot be controlled with the switch is dangerous and must be repaired.
3. Disconnect the plug from the power source and/or remove the battery pack, if detachable, from the power tool before making any adjustments, changing accessories, or storing power tools. Such preventive safety measures reduce the risk of starting the power tool accidentally.
4. Store idle power tools out of the reach of children and do not allow persons unfamiliar with the power tool or these instructions to operate the power tool. Power tools are dangerous in the hands of untrained users.
5. Maintain power tools and accessories. Check for misalignment or binding of moving parts, breakage of parts and any other condition that may affect the power tool's operation. If damaged, have the power tool repaired before use. Many accidents are caused by poorly maintained power tools.
6. Keep cutting tools sharp and clean. Properly maintained cutting tools with sharp cutting edges are less likely to bind and are easier to control.
7. Use the power tool, accessories and tool bits etc. in accordance with these instructions, taking into account the working conditions and the work to be performed. Use of the power tool for operations different from those intended could result in a hazardous situation.
8. Keep handles and grasping surfaces dry, clean and free from oil and grease. Slippery handles and grasping surfaces do not allow for safe handling and control of the tool in unexpected situations. When using the tool, do not wear cloth work gloves which may be entangled. The entanglement of cloth work gloves in the moving parts may result in personal injury.
9. Keep handles and grasping surfaces dry, clean and free from oil and grease. Slippery handles and grasping surfaces do not allow for safe handling and control of the tool in unexpected situations.

Service

1. Have your power tool serviced by a qualified repair person using only identical replacement parts. This will ensure that the safety of the power tool is maintained.
2. Follow instructions for lubricating and changing accessories.
3. Keep handles dry, clean and free from oil and grease.

Specific safety regulations

GENERAL

1. This tool should not be used by people under the age of 16 years.
2. This tool is not suitable for wet sanding.
3. Never use the tool when cord is damaged; have it replaced by a qualified person.
4. Do not work materials containing asbestos (asbestos is considered carcinogenic).
5. Always disconnect plug from power source before making any adjustment or changing any accessory.

ACCESSORIES

1. Flawless functioning of the tool can only be assured when original accessories are used.
2. Do not continue to use worn, torn or heavily clogged sanding discs.

BEFORE USE

1. Always check that the supply voltage is the same as the voltage indicated on the nameplate of the tool (tools with a rating of 230V or 240V can also be connected to a 220V supply).
2. Avoid damage that can be caused by screws, nails and other elements in your workpiece; remove them before you start working.
3. Use completely unrolled and safe extension cords with a capacity of 16 Amps (U.K. 13 Amps).
4. The noise level when working can exceed 85 dB(A); wear ear protection.
5. Dust from material such as paint containing lead, some wood species, minerals and metal may be harmful (contact with or inhalation of the dust may cause allergic reactions and/or respiratory diseases to the operator or bystanders); wear a dust mask and work with a dust extraction device when connectable.
6. Certain kinds of dust are classified as carcinogenic (such as oak and beech dust) especially in conjunction with additives for wood conditioning; wear a dust mask and work with a dust extraction device when connectable.
7. Follow the dust-related national requirements for the materials you want to work with.
8. Wear protective gloves, safety glasses, close-fitting clothes and hair protection (for long hair).
9. Secure the workpiece (a workpiece clamped with clamping devices or in a vice is held more securely than by hand).
10. When sanding metal, sparks are generated; do not use dustbox and keep other persons and combustible material from work area.

DURING USE

1. Always keep the cord away from moving parts of the tool; direct the cord to the rear, away from the tool.
2. Do not touch the moving sanding disc.
3. In case of electrical or mechanical malfunction, immediately switch off the tool and disconnect the plug.
4. If the cord is damaged or cut through while working, do not touch the cord, but immediately disconnect the plug

AFTER USE

1. When you put away the tool, switch off the motor and ensure that all moving parts have come to a complete standstill.
2. If for any reason the old plug is cut off the cord of this tool, it must be disposed of safely and not left unattended.

OPERATION

Before the first use (Fig. 3)

Remove the finishing sander and all accessories out of the packaging and check all parts for damage in transit. Keep packaging material out of reach of children. There is risk of suffocation. Attaching Sanding Paper: Choose the sanding paper according to the material being worked. Use sanding paper with a 40-60 grit for rough sanding and on uneven surfaces. Use the finer grain of 120 for smoother finish.

1. Attach the sanding paper on the sanding plate and make sure the holes on the sanding paper fit with openings on the base plate. Only this way the sanding dust can be extracted through suction ducts in the sanding plate.
2. Firmly press sanding paper down on the sanding plate.

Selecting the Sanding paper.

Always use abrasive papers suited to the material you want to sand. Then papers must have the correct grain size. Depending on grain size there are degrees of coarseness. The coarseness is specified by a number on the back of papers. The higher the number is, the finer the grain. It is important to use the right paper for each job. For rough sanding use grain sizes up to 80, for soft wood as larch, pine or spruce use papers from 60 grit to 150 grit. For dense hardwood as beech or maple, grain sizes of up to 220 can be used.

Assembling/Disassembling/Emptying the Dust Bag (Fig. 1)

Always use the dust bag when sanding

1. Place the dust bag onto the provided exhaust connection. Push the box up to the end into housing.
2. To remove the dust collection box, just pull the box outwards. Preferably clean the dust collection box and the exhaust connection in the housing after each use. By doing this the dust collection box can be easily inserted and removed.
3. For emptying the dust collection bag, just tap out or, if available, clean with compressed air.

Inserting sand paper

Switch off the machine, disconnect the power.

Switching on and off (Fig. 2)

1. Connect the plug to a power socket
2. Switch on continuous operation, press button(2)
3. Switch off continuous operation: press button(2)

Sanding

1. Position the entire sanding surface on the piece of work
2. Switch the machine on and guide it over the surface to be sanded using circular motions. Do not apply additional pressure to the machine when sanding, the weight of the machine itself is usually sufficient to ensure optimum revolutions and a good result. Do not tip! Complete several sanding processes using sand paper that gradually gets finer.

CLEANING AND MAINTENANCE

CAUTION! Before performing any care or maintenance work, disconnect from the power. Use a dry brush to clean the dust extraction openings. Clean the housing with a damp cloth only — do not use solvents! Then dry well. Remove the dust collection bag from the plastic section to empty. Empty carefully, try not to create dust. Do not breathe in saw dust! Wash out the bag in cold soapy water and allow drying. Before each use, check the machine, the cable and accessories to ensure that they are not damaged. Have any necessary repairs completed by a specialist. Machines that no longer function properly should be disposed off correctly in accordance with the local regulations.

Troubleshooting

Problem	Possible cause	Solution
The power tool doesn't work when switched on	Shortcircuit in motor winding. Disconnection between plug and power socket. No voltage in supply socket. Loose switching contact. Wearout of carbon brush. Disconnection between carbon brush and commutator.	Replace stator/rotor (service technician). Put plug in power socket. Check and repair power supply. Replace switchboard (service technician). Replace carbon brush (service technician). Check connection between carbon brush and commutator (service technician).
Excessive sparking	Underpressure in carbon brush spring. Excessive wearout in supply power. Disconnection between carbon brush and commutator. Ring fire caused by shortcircuit in rotor winding shortcircuit. Ring fire caused by shortcircuit in commutator segment.	Replace carbon brush (service technician). Regulate supply voltage. Replace carbon brush (service technician). Check or replace rotor (service technician). Check or replace rotor (service technician).
Machine superheating	Electromotor overload. Clogged air outlet.	Normally operate with reference to specification. Clear up air intake/outlet.
No motion at base plate during motor running	Bearing damage. Eccentric wheel damage. Blockup at wheel blade due to rubbing against base plate.	Replace bearing (service technician). Replace eccentric wheel (service technician). Repair or replace.
Excessive machinery vibration	Swing shaft fracture. Severe wear or damage in eccentric wheel.	Replace eccentric wheel (service technician).
Substandard sanding effect	Severe wear in abrasive paper or incorrect selection of abrasive paper.	Replace abrasive paper.

Environmental protection & disposal

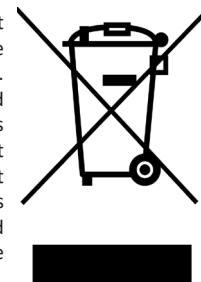
Disposal of packaging



Dispose of packaging separately. Dispose of cardboard and paper in waste paper, plastic at waste collection facilities.

Disposing of the palm sander

Used equipment should not be disposed with domestic waste! This symbol indicates that this product may not be disposed of together with domestic waste in compliance with the (2012/19/EC) directive pertaining to waste electrical and electronic devices (WEEE). This product should be handed over at an designated collection point. This can occur, for example, by returning it when a similar product is purchased or by handing it in at an authorised collecting point for the recycling of waste electrical and electronic equipment. Owing to potentially hazardous substances that are frequently contained in waste electronic equipment, incorrect handling of waste equipment may have a negative impact on the environment and on the health of human beings. By disposing of this product correctly, you are also contributing towards an efficient use of natural resources. Information on collecting points for waste equipment can be obtained from your local authority, the public waste disposal authority, an authorised institution for the disposal of waste electrical and electronic equipment or the waste collection services. Dispose of the palm sander in accordance with the applicable disposal regulations for your country.



Γενικές οδηγίες ασφαλείας



ΠΡΟΕΙΔΟΠΟΙΗΣΗ! ΔΙΑΒΑΣΤΕ ΚΑΙ ΚΑΤΑΝΟΗΣΤΕ ΟΛΕΣ ΤΙΣ ΟΔΗΓΙΕΣ. Εάν δεν ακολουθήσετε όλες τις παρακάτω οδηγίες, μπορεί να προκληθεί ηλεκτροπληξία, πυρκαγιά ή/και σοβαρός τραυματισμός. Πρόσωπα τα οποία δεν είναι εξοικειωμένα με τις οδηγίες, δεν επιτρέπεται να χειρίζονται τον εξοπλισμό. Διατηρήστε τις οδηγίες χρήσης σε ασφαλή μέρος για μελλοντική χρήση.



Φορέστε γυαλιά ασφαλείας



Διπλή μόνωση



Φορέστε ωτοασπίδες



Διαβάστε τις οδηγίες πριν χρησιμοποιήσετε το εργαλείο



Φορέστε μάσκες προστασίας όταν παράγεται σκόνη



Φορέστε γάντια ασφαλείας

Σημείωση: Ανατρέξτε στη σελίδα 2 για τα τεχνικά χαρακτηριστικά του προϊόντος.

Χώρος Εργασίας

1. Διατηρήστε τον χώρο εργασίας σας καθαρό και καλά φωτισμένο. Οι ακατάστατοι και σκοτεινοί χώροι μπορούν να προκαλέσουν ατυχήματα.
2. Μη χειρίζεστε ηλεκτρικά εργαλεία σε εκρηκτικές ατμόσφαιρες, όπως παρουσία εύφλεκτων υγρών, αερίων ή σκόνης. Τα ηλεκτρικά εργαλεία δημιουργούν σπινθήρες που μπορούν ενδεχομένως να προκαλέσουν έναυση σκόνης ή αναθυμιάσεις.
3. Κρατήστε μακριά τους παρευρισκόμενους, τα παιδιά και τους επισκέπτες ενώ χειρίζεστε ένα ηλεκτρικό εργαλείο. Οι διάφοροι περισπασμοί μπορούν να σας κάνουν να χάσετε τον έλεγχο.

Ηλεκτρική ασφάλεια

1. Τα φics των καλωδίων των ηλεκτρικών εργαλείων πρέπει να ταιριάζουν με την πρίζα. Μην τροποποιείτε ποτέ το φics με οποιονδήποτε τρόπο. Μη χρησιμοποιείτε προσαρμογείς/αντάπτορες φics σε (γειωμένα) εργαλεία τροφοδοσίας. Τα μη τροποποιημένα φics και οι κατάλληλες πρίζες μειώνουν τον κίνδυνο ηλεκτροπληξίας.
2. Αποφύγετε την επαφή του σώματός σας με γειωμένες επιφάνειες όπως σωλήνες, καλοριφέρ, περιοχές και ψυγεία. Υπάρχει αυξημένος κίνδυνος ηλεκτροπληξίας αν το σώμα σας είναι γειωμένο.
3. Μην εκθέτετε τα ηλεκτρικά εργαλεία σε συνθήκες βροχής ή υγρασίας. Η είσοδος νερού σε ένα ηλεκτρικό εργαλείο θα αυξήσει τον κίνδυνο ηλεκτροπληξίας.
4. Μην κακομεταχειρίζεστε το καλώδιο τροφοδοσίας. Μη χρησιμοποιείτε ποτέ το καλώδιο για να μεταφέρετε εργαλεία ή να τραβήξετε το φics από μια πρίζα. Κρατήστε το καλώδιο μακριά από θερμότητα, έλαια, αιχμηρά άκρα ή κινούμενα μέρη. Τα κατεστραμμένα καλώδια τροφοδοσίας πρέπει να αντικαθίστανται αμέσως από εξειδικευμένο προσωπικό. Τα κατεστραμμένα καλώδια θα αυξήσουν τον κίνδυνο ηλεκτροπληξίας.
5. Κατά τη λειτουργία ενός ηλεκτρικού εργαλείου σε εξωτερικό χώρο, χρησιμοποιήστε ένα καλώδιο επέκτασης για εξωτερικό χώρο σε συνδυασμό με Διάταξη Προστασίας Ρεύματος Διαρροής (Residual Current-Operated Protective Device, RCD).
6. Αν η λειτουργία ενός ηλεκτρικού εργαλείου σε θέση όπου υπάρχει υγρασία είναι αναπόφευκτη, χρησιμοποιήστε μια παροχή ρεύματος προστατευμένη με Διάταξη Προστασίας Ρεύματος Διαρροής (RCD). Η χρήση RCD μειώνει τον κίνδυνο ηλεκτροπληξίας.
7. Συστήνεται η χρήση Διάταξης Προστασίας Ρεύματος Διαρροής (RCD) με ονομαστικό παραμένον ρεύμα (residual current) 30 mA ή λιγότερο.

Προσωπική ασφάλεια

1. Παραμείνετε σε εγρήγορση, δώστε μεγάλη προσοχή στις κινήσεις σας και χρησιμοποιήστε την κοινή λογική όταν εργάζεστε με ένα ηλεκτρικό εργαλείο. Μη χρησιμοποιείτε το ηλεκτρικό εργαλείο όταν είστε κουρασμένοι ή υπό την επήρεια ουσιών, αλκοόλ ή φαρμάκων. Μια στιγμή απροσεξίας κατά τη εργασία με ηλεκτρικών εργαλεία μπορεί να έχει ως αποτέλεσμα πολύ σοβαρό προσωπικό τραυματισμό.
2. Χρήση εξοπλισμού ασφαλείας. Φοράτε πάντοτε προστασία ματιών. Μάσκα σκόνης, αντιολισθητικά υποδήματα ασφαλείας, σκληρό καπέλο ή προστασία της ακοής πρέπει να χρησιμοποιούνται όταν το απαιτούν οι συνθήκες. Τα κανονικά γυαλιά ή τα γυαλιά ηλίου ΔΕΝ είναι κατάλληλα για προστασία των οφθαλμών κατά την διάρκεια των εργασιών.
3. Αποφύγετε την τυχαία εκκίνηση λειτουργίας του εργαλείου. Βεβαιωθείτε ότι ο διακόπτης είναι απενεργοποιημένος πριν από τη σύνδεση. Η μεταφορά εργαλείων με το δάχτυλό σας στο διακόπτη ή η σύνδεση εργαλείων που έχουν ενεργοποιημένο το διακόπτη μπορεί να προκαλέσει ατυχήματα.
4. Αφαιρέστε τα κλειδιά σύσφιξης πριν ενεργοποιήσετε το εργαλείο. Ένα κλειδί ή ένα κλειδί που έχει αφεθεί προσαρτημένο σε ένα περιστρεφόμενο μέρος του εργαλείου μπορεί να έχει ως αποτέλεσμα σωματικό τραυματισμό.
5. Μην τεντώνετε. Διατηρήστε ορθό βηματισμό καθώς και την ισορροπία σας ανά πάσα στιγμή. Ο σωστός βηματισμός και η διατήρηση της ισορροπίας επιτρέπουν καλύτερο έλεγχο επί του εργαλείου σε μη αναμενόμενες καταστάσεις.
6. Ντυθείτε σωστά. Μην φοράτε χαλαρά ρούχα ή κοσμήματα. Περιορίστε τα μακριά μαλλιά. Κρατήστε τα μαλλιά, τα ρούχα και τυχόν γάντια μακριά από τα κινούμενα μέρη. Τα χαλαρά ρούχα, τα κοσμήματα ή τα μακριά μαλλιά μπορούν να πιαστούν σε κινούμενα μέρη.
7. Εάν παρέχονται συσκευές εξαγωγής και συλλογής σκόνης, βεβαιωθείτε ότι είναι συνδεδεμένες και χρησιμοποιούνται σωστά. Η χρήση αυτών των συσκευών μπορεί να μειώσει κινδύνους που σχετίζονται με τη σκόνη.

Φροντίδα και Χρήση Εργαλείων

1. Χρησιμοποιήστε σφικτικές ή άλλο πρακτικό τρόπο για να ασφαλίσετε και να σταθεροποιήσετε το αντικείμενο εργασίας σε μια θέση. Η συγκράτηση του αντικειμένου κατεργασίας με το χέρι ή με το σώμα σας είναι ασταθής και μπορεί να οδηγήσει σε απώλεια ελέγχου.
2. Μην λειτουργείτε το εργαλείο πέραν των δυνατοτήτων του. Χρησιμοποιήστε το σωστό εργαλείο για την εφαρμογή σας. Το σωστό εργαλείο θα κάνει τη δουλειά καλύτερα και ασφαλέστερα και με το ρυθμό που έχει σχεδιαστεί.
3. Μην χρησιμοποιείτε το εργαλείο εάν ο διακόπτης ενεργοποίησης (διακόπτης ON/OFF) δεν μπορεί να ενεργοποιήσει ή να απενεργοποιήσει το εργαλείο. Οποιοδήποτε εργαλείο που δεν μπορεί να ελεγχθεί με το διακόπτη είναι επικίνδυνο και πρέπει να επιδιορθωθεί πριν από τη χρήση.
4. Αποσυνδέστε το φics από την πρίζα πριν κάνετε οποιαδήποτε ρύθμιση, αλλάξετε βοηθητικό εξοπλισμό ή αποθηκεύσετε το εργαλείο. Αυτά τα προληπτικά μέτρα ασφαλείας μπορούν να μειώσουν τον κίνδυνο τυχαίας εκκίνησης λειτουργίας του εργαλείου.
5. Φυλάσσετε τα εργαλεία που δεν χρησιμοποιείτε σε σημεία μακριά από τα παιδιά ή άλλα μη εκπαιδευμένα σχετικά άτομα. Τα εργαλεία είναι επικίνδυνα στα χέρια μη εκπαιδευμένων χρηστών.
6. Διατηρήστε τα εργαλεία παρέχοντάς τους την απαραίτητη φροντίδα. Τα εργαλεία κοπής πρέπει να παραμένουν κοφτερά και καθαρά. Τα σωστά συντηρούμενα εργαλεία με κοφτερές λεπίδες είναι λιγότερο πιθανό να υποστούν εμπλοκή και είναι ευκολότερο να ελεγχθούν.
7. Ελέγξτε για λανθασμένη ευθυγράμμιση ή σύνδεση κινητών μερών, θραύση μερών και οποιαδήποτε άλλη κατάσταση που μπορεί να επηρεάσει τη λειτουργία των εργαλείων. Εάν έχετε υποστεί βλάβη, φροντίστε να επισκευαστεί το εργαλείο πριν το χρησιμοποιήσετε. Πολλά ατυχήματα προκαλούνται από ανεπαρκώς συντηρημένα εργαλεία.
8. Ορισμένα εξαρτήματα (αξεσουάρ) κατάλληλα για ένα εργαλείο μπορεί να καταστούν επικίνδυνα όταν χρησιμοποιούνται σε άλλο εργαλείο. Ελέγξτε ότι όλα τα εξαρτήματα που θα χρησιμοποιηθούν είναι κατάλληλα.

Service

1. Αναθέστε τη συντήρηση του ηλεκτρικού εργαλείου σας σε εξειδικευμένο τεχνικό, χρησιμοποιώντας μόνο πανομοιότυπα & γνήσια ανταλλακτικά. Με τον τρόπο αυτό θα διασφαλίσετε ότι διατηρείται η ασφάλεια του ηλεκτρικού εργαλείου.
2. Ακολουθήστε τις οδηγίες για τη λύτωση και την αλλαγή των εξαρτημάτων.
3. Διατηρείτε τις λαβές στεγνές, καθαρές και απαλλαγμένες από λάδια και γράσα.

Ειδικές οδηγίες ασφαλείας για το τριβείο χούφτας

ΓΕΝΙΚΑ

1. Αυτό το εργαλείο δεν πρέπει να χρησιμοποιείται από άτομα κάτω των 16 ετών.
2. Αυτό το εργαλείο δεν είναι κατάλληλο για υγρή λείανση.
3. Ποτέ μη χρησιμοποιείτε το εργαλείο όταν το καλώδιο έχει υποστεί ζημιά- ζητήστε την αντικατάστασή του από εξειδικευμένο τεχνικό ή κέντρο σέρβις.
4. Μην επεξεργάζεστε υλικά που περιέχουν αμιάντο (ο αμιάντος θεωρείται καρκινογόνος).
5. Πάντα να αποσυνδέετε το φικ από την πηγή ρεύματος πριν κάνετε οποιαδήποτε ρύθμιση ή αλλάξετε οποιοδήποτε εξάρτημα.

ΠΑΡΕΛΚΟΜΕΝΑ (ΑΞΕΣΟΥΑΡ)

1. Η άψογη λειτουργία του εργαλείου μπορεί να διασφαλιστεί μόνο όταν χρησιμοποιούνται αυθεντικά εξαρτήματα.
2. Μην συνεχίσετε να χρησιμοποιείτε φθαρμένους, σκισμένους ή έντονα στομωμένους δίσκους λείανσης.

ΠΡΙΝ ΤΗ ΧΡΗΣΗ

1. Ελέγχετε πάντα ότι η τάση τροφοδοσίας είναι ίδια με την τάση που αναγράφεται στην πινακίδα ονομαστικών μεγεθών του εργαλείου (εργαλεία με ονομαστική τάση 230V ή 240V μπορούν επίσης να συνδεθούν σε τροφοδοσία 220V).
2. Αποφύγετε ζημιές που μπορεί να προκληθούν από βίδες, καρφιά και άλλα στοιχεία στο τεμάχιο κατεργασίας - αφαιρέστε τα πριν ξεκινήσετε να εργάζεστε.
3. Χρησιμοποιείτε πλήρως ξετυλιγμένα και ασφαλή καλώδια προέκτασης με χωρητικότητα 16 Amps (U.K. 13 Amps).
4. Το επίπεδο θορύβου κατά την εργασία μπορεί να ξεπεράσει τα 85 dB(A): φορέστε ωτοασπίδες.
5. Η σκόνη από υλικά όπως χρώματα που περιέχουν μόλυβδο, ορισμένα είδη ξύλου, ορυκτά και μέταλλα μπορεί να είναι επιβλαβής (η επαφή με τη σκόνη ή η εισπνοή αυτής μπορεί να προκαλέσει αλλεργικές αντιδράσεις ή/και αναπνευστικές παθήσεις στον χειριστή ή στους παρευρισκόμενους), φορέστε μάσκα σκόνης και εργαστείτε με συσκευή αναρρόφησης σκόνης όταν είναι δυνατή η σύνδεση αυτής.
6. Ορισμένα είδη σκόνης χαρακτηρίζονται ως καρκινογόνα (όπως η σκόνη δρυός και οξιάς), ιδίως σε συνδυασμό με πρόσθετα για την επεξεργασία του ξύλου φορέστε μάσκα σκόνης και εργαστείτε με συσκευή αναρρόφησης σκόνης όταν είναι δυνατή η σύνδεση.
7. Ακολουθήστε τις εθνικές απαιτήσεις σχετικά με τη σκόνη για τα υλικά με τα οποία θέλετε να εργαστείτε.
8. Φοράτε προστατευτικά γάντια, γυαλιά ασφαλείας, στενά ρούχα και προστασία για τα μαλλιά (για μακριά μαλλιά).
9. Ασφαλίστε το τεμάχιο κατεργασίας (ένα τεμάχιο κατεργασίας που έχει στερεωθεί με συσκευές σύσφιξης ή σε μέγνηνη συγκρατείται με μεγαλύτερη ασφάλεια απ' ό,τι με το χέρι).
10. Όταν χρησιμοποιείτε το τριβείο σε μέταλλο, δημιουργούνται σπινθήρες μην χρησιμοποιείτε κουτί σκόνης και κρατήστε άλλα άτομα και εύφλεκτα υλικά μακριά από την περιοχή εργασίας.

ΚΑΤΑ ΤΗ ΧΡΗΣΗ

1. Κρατάτε πάντα το καλώδιο μακριά από τα κινούμενα μέρη του εργαλείου· κατευθύνετε το καλώδιο προς τα πίσω, μακριά από το εργαλείο.
2. Μην αγγίζετε τον κινούμενο δίσκο λείανσης.
3. Σε περίπτωση ηλεκτρικής ή μηχανικής δυσλειτουργίας, απενεργοποιήστε αμέσως το εργαλείο και αποσυνδέστε το φικ από την πρίζα.
4. Εάν το καλώδιο υποστεί ζημιά ή κοπεί κατά τη διάρκεια της εργασίας, μην αγγίξετε το καλώδιο, αλλά αποσυνδέστε αμέσως το φικ από την πρίζα.

ΜΕΤΑ ΤΗΝ ΧΡΗΣΗ

Όταν απομακρύνετε το εργαλείο, απενεργοποιήστε το και βεβαιωθείτε ότι όλα τα κινούμενα μέρη έχουν ακινητοποιηθεί πλήρως. Εάν για οποιοδήποτε λόγο το βύσμα κοπεί από το καλώδιο του εργαλείου, πρέπει να απορριψείτε ασφαλώς και όχι να το αφήσετε εκτεθειμένο.

Λειτουργία

Πριν την πρώτη χρήση (Εικ .3)

Αφαιρέστε το τριβείο και όλα τα αξεσουάρ από τη συσκευασία και ελέγξτε όλα τα εξαρτήματα για ζημιές κατά τη μεταφορά. Φυλάξτε το υλικό συσκευασίας μακριά από παιδιά. Υπάρχει κίνδυνος ασφυξίας.

Τοποθέτηση χαρτιού λείανσης

Επιλέξτε το χαρτί λείανσης ανάλογα με το υλικό που επεξεργάζεστε. Χρησιμοποιήστε χαρτί λείανσης με 40 resp, 60 κόκκους για σκληρή λείανση και σε ανώμαλες επιφάνειες. Χρησιμοποιήστε χαρτί κόκκων 120 για περισσότερο λείο φινίρισμα.

1. Τοποθετήστε το χαρτί λείανσης στην πλάκα λείανσης και βεβαιωθείτε ότι οι οπές στο χαρτί λείανσης ταιριάζουν με τα ανοίγματα στην πλάκα βάσης. Μόνο με αυτόν τον τρόπο η σκόνη λείανσης μπορεί να απορροφηθεί μέσω των αγωγών αναρρόφησης στην πλάκα λείανσης.
2. Πιέστε σταθερά το χαρτί λείανσης προς τα κάτω στην πλάκα λείανσης.

Επιλογή του γυαλόχαρτο

Χρησιμοποιείτε πάντα γυαλόχαρτο κατάλληλο για το υλικό που θέλετε να λειάνετε. Το γυαλόχαρτο πρέπει να έχει το σωστό μέγεθος κόκκων. Ανάλογα με το μέγεθος των κόκκων υπάρχουν βαθμοί τραχύτητας. Η τραχύτητα προσδιορίζεται από έναν αριθμό στο πίσω μέρος των χαρτιών. Όσο μεγαλύτερος είναι ο αριθμός, τόσο μικρότερος είναι ο κόκκος. Είναι σημαντικό να χρησιμοποιείτε το σωστό χαρτί για κάθε εργασία. Για τραχειά λείανση χρησιμοποιήστε μεγέθη κόκκων έως 80, για μαλακά ξύλα όπως η πεύκη, το πεύκο ή η ερυθρελάτη χρησιμοποιήστε χαρτιά 60 κόκκων έως 150. Για πυκνά σκληρά ξύλα όπως η οξιά ή ο σφένδαμος, μπορούν να χρησιμοποιηθούν μεγέθη κόκκων με έως 220.

Συναρμολόγηση/αποσυναρμολόγηση/άδειασμα της σακούλας σκόνης (Εικ. 1)

Χρησιμοποιείτε πάντα τη σακούλα σκόνης κατά τη λείανση.

1. Τοποθετήστε τη σακούλα σκόνης στην προβλεπόμενη σύνδεση εξαγωγής. Σπρώξτε τη θήκη μέχρι τέλους στο περίβλημα (μέσω προσαρμογέα).
2. Για να αφαιρέσετε τη θήκη συλλογής σκόνης, απλώς τραβήξτε τη προς τα έξω. Κατά προτίμηση καθαρίζετε την θήκη συλλογής σκόνης και τον προσαρμογέα εξαγωγής στο περίβλημα μετά από κάθε χρήση. Με αυτόν τον τρόπο η θήκη συλλογής σκόνης μπορεί να τοποθετηθεί και να αφαιρεθεί εύκολα.
3. Για το άδειασμα της θήκης συλλογής σκόνης, απλώς τινάζτε τη προς τα κάτω και καθαρίστε με την βρύση, ή καθαρίστε τη με πιεσιμένο αέρα, αν υπάρχει δυνατότητα.

Εισαγωγή γυαλόχαρτου

Απενεργοποιήστε το τριβείο και αποσυνδέστε από την πρίζα.

Ενεργοποίηση και απενεργοποίηση (Σχ. 2)

1. Συνδέστε το βύσμα στην πρίζα.
2. Ενεργοποιήστε την συνεχή λειτουργία, πατήστε το κουμπί (2).
3. Απενεργοποιήστε την συνεχή λειτουργία, πατήστε το κουμπί (2).

Λείανση

1. Τοποθετήστε ολόκληρη την επιφάνεια λείανσης στο τεμάχιο κατεργασίας.
2. Ενεργοποιήστε το μηχάνημα και οδηγήστε το πάνω στην επιφάνεια που πρόκειται να λειανθεί με κυκλικές κινήσεις. Μην ασκείτε πρόσθετη πίεση στο μηχάνημα κατά τη λείανση, το βάρος του ίδιου του μηχανήματος είναι συνήθως αρκετό για να εξασφαλίσει τις βέλτιστες περιστροφές και ένα καλό αποτέλεσμα. Μην αναποδογυρίζετε/γείρετε το μηχάνημα! Ολοκληρώστε αρκετά σετ λείανσης χρησιμοποιώντας γυαλόχαρτο το οποίο σταδιακά γίνεται πιο εύθραυστο.

Καθαρισμός και συντήρηση

ΠΡΟΣΟΧΗ! Πριν από την εκτέλεση οποιασδήποτε εργασίας φροντίδας ή συντήρησης, αποσυνδέστε το μηχάνημα από την παροχή ρεύματος. Χρησιμοποιήστε μια στεγνή βούρτσα για να καθαρίσετε τα ανοίγματα εξαγωγής σκόνης. Καθαρίστε το περίβλημα μόνο με ένα υγρό πανί - μην χρησιμοποιείτε διαλυτικά μέσα! Στη συνέχεια στεγνώστε καλά. Αφαιρέστε τη θήκη/σακούλα συλλογής σκόνης από το πλαστικό τμήμα για να την αδειάσετε. Αδειάστε προσεκτικά, προσπαθήστε να μην δημιουργηθεί σκόνη. Μην αναπνέετε σκόνη πριονιού! Ξεπλύνετε τη σακούλα με κρύο σαπουνόνερο και αφήστε τη να στεγνώσει. Πριν από κάθε χρήση, ελέγξτε το μηχάνημα, το καλώδιο και τα εξαρτήματα για να βεβαιωθείτε ότι δεν έχουν υποστεί ζημιά. Αναθέστε σε ειδικό τεχνικό την διεξαγωγή τυχόν απαραίτητων επισκευών. Εργαλεία που δεν λειτουργούν πλέον σωστά πρέπει να απορρίπτονται σωστά σύμφωνα με τους τοπικούς κανονισμούς.

Επίλυση προβλημάτων

Πρόβλημα	Πιθανή αιτία	Επιδιόρθωση
Δεν λειτουργεί με το πάτημα του διακόπτη ενεργοποίησης	Βραχυκύκλωμα στην περιέλιξη του κινητήρα Αποσύνδεση μεταξύ φικς και πρίζας Καμία τάση στην πρίζα τροφοδοσίας Χαλαρή επαφή μεταγωγής Φθορά στις ψήκτρες Αποσύνδεση μεταξύ ψηκτρών και μεταγωγέα.	Αντικατάσταση στάτορα/ρότορα (E:"επισκευαστής") Βάλτε το φικς στην πρίζα Ελέγξτε και επισκευάστε την παροχή ρεύματος (E) Αντικατάσταση της πλακέτας διακοπών (E) Αντικατάσταση ψηκτρών (E) Έλεγχος σύνδεσης μεταξύ ψηκτρών και μεταγωγέα (E)
Υπερβολικός σπινθηρισμός	Υποπίεση στο ελατήριο ψήκτρας/ψηκτρών Υπερβολική φθορά στην τροφοδοσία Αποσύνδεση μεταξύ ψηκτρών και μεταγωγέα Βραχυκύκλωμα στο τύλιγμα δρομέα Βραχυκύκλωμα στο τμήμα μεταγωγής	Αντικατάσταση ψήκτρας/ψηκτρών (E) Ρύθμιση της τάσης τροφοδοσίας Αντικατάσταση ψήκτρας/ψηκτρών (E) Έλεγχος ή αντικατάσταση ρότορα (E) Έλεγχος ή αντικατάσταση ρότορα (E)
Υπερθέρμανση μηχανής	Υπερφόρτωση ηλεκτροκινητήρα Μη ομαλή έξοδος αέρα	Λειτουργήστε το εργαλείο σύμφωνα με τις προδιαγραφές Καθαρίστε την εισαγωγή/εξαγωγή αέρα
Καμία κίνηση στην πλάκα βάσης κατά τη λειτουργία του κινητήρα	Βλάβη εδράνου Βλάβη έκκεντρου τροχού Μπλοκάρισμα στον τροχό λόγω τριβής με την πλάκα βάσης	Καθαρισμός εδράνου (E) Αντικατάσταση έκκεντρου τροχού (E) Επιδιόρθωση ή αντικατάσταση
Υπερβολική δόνηση	Θραύση/ρωγμή άξονα Φθορά ή ζημιά στον έκκεντρο τροχό	Αντικατάσταση άξονα (E) Αντικατάσταση έκκεντρου τροχού (E)
Υποβαθμισμένο αποτέλεσμα λείανσης	Μεγάλη φθορά στο γυαλόχαρτο ή λανθασμένη επιλογή του λειαντικού χαρτιού	Αντικατάσταση γυαλόχαρτου

Περιβαλλοντική προστασία και απόρριψη**Απόρριψη συσκευασίας**

Απορρίψτε τη συσκευασία ξεχωριστά. Απορρίψτε χαρτόνι και χαρτί στα απορρίμματα χαρτιού, και πλαστικό στα αντίστοιχα σημεία συλλογής.

Απόρριψη του τριβείου χούφτας

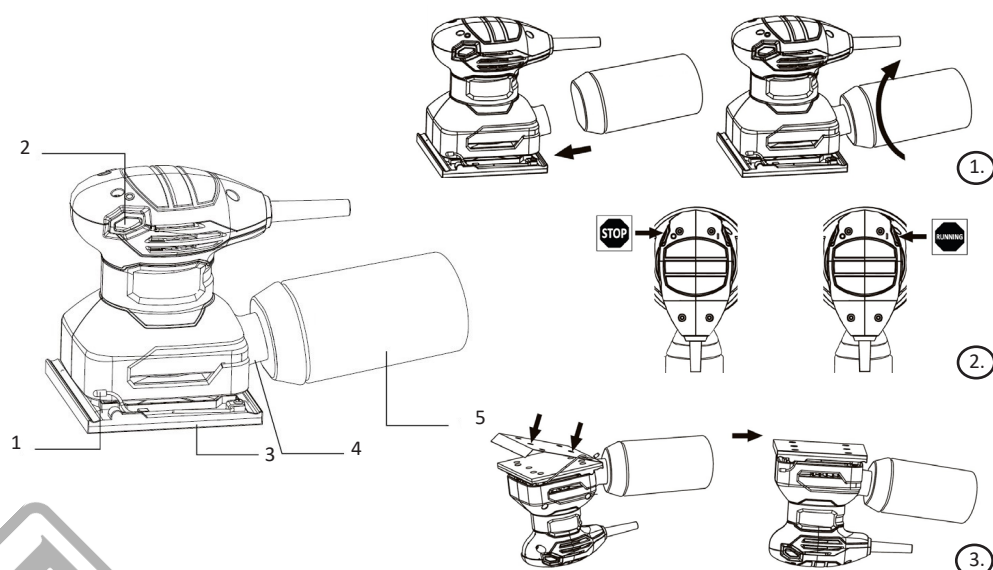
Ο μεταχειρισμένος εξοπλισμός δεν πρέπει να απορρίπτεται μαζί με τα οικιακά απορρίμματα! Αυτό το σύμβολο υποδεικνύει ότι αυτό το προϊόν δεν επιτρέπεται να απορρίπτεται μαζί με τα οικιακά απορρίμματα σύμφωνα με την οδηγία (2012/19/EK) που αφορά τα απόβλητα ηλεκτρικών και ηλεκτρονικών συσκευών (ΑΗΗΕ). Αυτό το προϊόν πρέπει να παραδοθεί σε ένα καθορισμένο σημείο συλλογής. Αυτό μπορεί να γίνει, για παράδειγμα, με την επιστροφή του όταν αγοράζεται ένα παρόμοιο προϊόν ή με την παράδοσή του σε εξουσιοδοτημένο σημείο συλλογής για την ανακύκλωση αποβλήτων ηλεκτρικών και ηλεκτρονικών συσκευών. Λόγω των δυνητικά επικίνδυνων ουσιών που συχνά περιέχονται στα απόβλητα ηλεκτρονικού εξοπλισμού, ο λανθασμένος χειρισμός των αποβλήτων εξοπλισμού μπορεί να έχει αρνητικές επιπτώσεις στο περιβάλλον και στην υγεία των ανθρώπων. Απορρίπτοντας σωστά αυτό το προϊόν, συμβάλλετε επίσης στην αποδοτική χρήση των φυσικών πόρων. Πληροφορίες σχετικά με τα σημεία συλλογής αποβλήτων εξοπλισμού μπορείτε να λάβετε από την τοπική σας αρχή, τη δημόσια αρχή διάθεσης αποβλήτων, ένα εξουσιοδοτημένο ίδρυμα για τη διάθεση αποβλήτων ηλεκτρικού και ηλεκτρονικού εξοπλισμού ή τις υπηρεσίες συλλογής αποβλήτων. Απορρίψτε το τριβείο χούφτας σύμφωνα με τους ισχύοντες κανονισμούς απόρριψης της χώρας σας.



DESCRIPTION DES PARTIES PRINCIPALES / DESCRIZIONE DELLE PARTI PRINCIPALI

1. Système de serrage de la feuille abrasive
2. Gâchette ON/OFF (marche/arrêt)
3. Plateau de ponçage
4. Système d'aspiration des poussières
5. Adaptateur

1. Sistema di bloccaggio del foglio abrasivo
2. Grilletto ON/OFF (accesso/spento)
3. Piastra di levigatura
4. Sistema di aspirazione della polvere
5. Adattatore



Utilisation prévue

La ponceuse à palettes est conçue et doit être utilisée uniquement pour des travaux de ponçage à sec et de polissage. Elle convient au travail sur le bois, le métal, le plâtre, le plastique et les surfaces d'enduit. Elle peut également être utilisée pour éliminer la rouille, les vieilles peintures et les ponçages intermédiaires. Toute autre utilisation est expressément interdite et considérée comme un usage abusif. Le fabricant ne peut être tenu responsable des dommages ou blessures causés par une mauvaise utilisation du produit.

Données techniques

Modèle	BSS1450
Puissance d'entrée nominale	230 Watt
Tension/fréquence nominales	230 V / 50 Hz
Vitesse à vide	13.500 tr/min
Taille du patin	115 x 110 mm
Diamètre de l'oscillation circulaire	1,6 mm
Câble d'alimentation	2 m
Accessoires	- Sac à poussière - 1pc # 80 papier abrasif

* Le fabricant se réserve le droit d'apporter des modifications mineures à la conception et aux spécifications techniques des produits sans préavis, à moins que ces modifications n'affectent de manière significative les performances et la sécurité des produits. Les pièces décrites / illustrées dans les pages du manuel que vous tenez entre vos mains peuvent également concerner d'autres modèles de la gamme de produits du fabricant ayant des caractéristiques similaires et peuvent ne pas être incluses dans le produit que vous venez d'acquérir.

* Pour garantir la sécurité et la fiabilité du produit et la validité de la garantie, tous les travaux de réparation, d'inspection, de réparation ou de remplacement, y compris l'entretien et les réglages spéciaux, doivent être effectués uniquement par des techniciens du service après-vente agréé du fabricant.

* Utilisez toujours le produit avec l'équipement fourni. L'utilisation du produit avec un équipement non fourni peut entraîner des dysfonctionnements, voire des blessures graves ou la mort. Le fabricant et l'importateur ne sont pas responsables des blessures et des dommages résultant de l'utilisation d'un équipement non conforme.

Uso previsto

La levigatrice a palma è stata progettata e può essere utilizzata solo per lavori di levigatura e lucidatura a secco. È adatta per lavorare su superfici in legno, metallo, gesso, plastica e stucco. Può essere utilizzata anche per rimuovere ruggine, vecchie vernici e per una levigatura intermedia. Qualsiasi altro uso è espressamente vietato e viene considerato un uso improprio. Il produttore non può essere ritenuto responsabile per danni o lesioni causati da un uso improprio del prodotto.

Dati tecnici

Modello	BSS1450
potenza nominale in ingresso	230 Watt
Tensione/frequenza nominali	230 V / 50 Hz
Velocità a vuoto	13.500 giri/min
Dimensioni del pad di levigatura	115 x 110 mm
Diametro dell'oscillazione circolare	1,6 mm
Cavo di alimentazione	2 m
Accessori	- Sacchetto per la polvere - 1pz # 80 carta abrasiva

* Il produttore si riserva il diritto di apportare modifiche minori al design e alle specifiche tecniche del prodotto senza preavviso, a meno che tali modifiche non influiscano significativamente sulle prestazioni e sulla sicurezza dei prodotti. Le parti descritte/illustrate nelle pagine del manuale che avete tra le mani possono riguardare anche altri modelli della linea di prodotti del produttore con caratteristiche simili e potrebbero non essere incluse nel prodotto appena acquistato.

* Per garantire la sicurezza e l'affidabilità del prodotto e la validità della garanzia, tutti gli interventi di riparazione, ispezione, riparazione o sostituzione, compresa la manutenzione e le regolazioni speciali, devono essere eseguiti esclusivamente da tecnici del servizio di assistenza autorizzato dal produttore.

* Utilizzare sempre il prodotto con l'attrezzatura fornita. L'utilizzo del prodotto con apparecchiature non in dotazione può causare malfunzionamenti o addirittura lesioni gravi o morte. Il produttore e l'importatore non sono responsabili per lesioni e danni derivanti dall'uso di apparecchiature non conformi.

INSTRUCTIONS GÉNÉRALES DE SÉCURITÉ POUR LES OUTILS ÉLECTRIQUES



ATTENTION ! LISEZ ATTENTIVEMENT LE MODE D'EMPLOI AVANT DE METTRE L'APPAREIL EN MARCHÉ. En cas de non-respect de ce mode d'emploi Le non-respect de toutes les instructions énumérées ci-dessous peut entraîner un choc électrique, un incendie et/ou des blessures graves. Les personnes qui ne connaissent pas les instructions ne doivent pas utiliser l'appareil. Conservez le mode d'emploi en lieu sûr. Les enfants et les jeunes ne sont pas autorisés à utiliser l'appareil.



Porter des lunettes de sécurité



Double isolation



Porter des protections auditives



Lire les instructions avant d'utiliser l'outil



Utilisez toujours un appareil respiratoire lors de l'usinage de matériaux générant de la poussière



Porter des gants de sécurité

Remarque : Voir page 9 pour les données techniques du produit.

Sécurité sur le lieu de travail

1. Gardez la zone de travail propre et bien éclairée. Les zones encombrées ou sombres favorisent les accidents.
2. N'utilisez pas d'outils électriques dans des atmosphères explosives, par exemple en présence de liquides, de gaz ou de poussières inflammables. Les outils électriques produisent des étincelles qui peuvent enflammer la poussière ou les fumées.
3. Tenez les enfants et les passants à l'écart lorsque vous utilisez un outil électrique. Les distractions peuvent vous faire perdre le contrôle.

Sécurité électrique

1. Les fiches des outils électriques doivent être adaptées à la prise de courant. Ne modifiez jamais la fiche de quelque manière que ce soit. N'utilisez pas de fiches d'adaptation avec des outils électriques mis à la terre. Des fiches non modifiées et des prises de courant adaptées réduisent le risque de choc électrique.
2. Évitez tout contact du corps avec des surfaces mises à la terre, telles que les tuyaux, les radiateurs, les cuisinières et les réfrigérateurs. Le risque d'électrocution est accru si votre corps est relié à la terre.
3. N'exposez pas les outils électriques à la pluie ou à l'humidité. La pénétration d'eau dans un outil électrique augmente le risque d'électrocution.
4. N'abusez pas du cordon. Ne jamais utiliser le cordon pour porter, tirer ou débrancher l'outil électrique. Tenir le cordon à l'écart de la chaleur, de l'huile, des bords tranchants ou des pièces mobiles. Les cordons endommagés ou emmêlés augmentent le risque d'électrocution.
5. Lorsque vous utilisez un outil électrique à l'extérieur, utilisez une rallonge adaptée à cet usage. L'utilisation d'un cordon adapté à l'extérieur réduit le risque d'électrocution.
6. Si l'utilisation d'un outil électrique dans un endroit humide est inévitable, utilisez une alimentation protégée par un dispositif à courant différentiel résiduel (DDR). L'utilisation d'un tel dispositif réduit le risque de choc électrique.

Sécurité personnelle

1. Restez vigilant, regardez ce que vous faites et faites preuve de bon sens lorsque vous utilisez un outil électrique. N'utilisez pas d'outil électrique si vous êtes fatigué ou sous l'influence de drogues, d'alcool ou de médicaments. Un moment d'inattention lors de l'utilisation d'un outil électrique peut entraîner des blessures graves.
2. Utilisez des équipements de protection individuelle. Portez toujours une protection oculaire. Les équipements de protection tels qu'un masque anti-poussière, des chaussures de sécurité antidérapantes, un casque de protection ou une protection auditive utilisés dans des conditions appropriées réduiront les blessures corporelles.
3. Empêcher tout démarrage involontaire. Assurez-vous que l'interrupteur est en position d'arrêt avant de brancher la source d'alimentation et/ou la batterie, de prendre ou de transporter l'outil. Porter des outils électriques avec le doigt sur l'interrupteur ou mettre sous tension des outils électriques dont l'interrupteur est en position de marche invite à des accidents.
4. Retirez toute clé de réglage ou clé à molette avant de mettre l'outil en marche. Une clé laissée sur une pièce rotative de l'outil peut entraîner des blessures.
5. Ne tendez pas trop les bras lorsque vous utilisez l'outil. Gardez toujours une bonne assise et un bon équilibre. Cela permet de mieux contrôler l'outil électrique dans des situations inattendues.
6. S'habiller correctement. Ne portez pas de vêtements amples ni de bijoux. Gardez vos cheveux et vos vêtements à l'écart des pièces en mouvement. Les vêtements amples, les bijoux ou les cheveux longs peuvent être happés par les pièces en mouvement.
7. Si des dispositifs sont prévus pour le raccordement d'installations d'extraction et de collecte des poussières, veillez à ce qu'ils soient raccordés et utilisés correctement. L'utilisation d'un système de dépoussiérage peut réduire les risques liés à la poussière.
8. Ne laissez pas la familiarité acquise par l'utilisation fréquente d'outils vous permettre de devenir complaisant et d'ignorer les principes de sécurité des outils. Un geste imprudent peut entraîner des blessures graves en une fraction de seconde.

Utilisation et entretien des outils électriques

1. Ne forcez pas sur l'outil électrique. Utilisez le bon outil électrique pour votre application. L'outil électrique approprié effectuera le travail mieux et de manière plus sûre, à la vitesse pour laquelle il a été conçu.
2. N'utilisez pas l'outil électrique si l'interrupteur ne permet pas de l'allumer ou de l'éteindre. Tout outil électrique qui ne peut être contrôlé par l'interrupteur est dangereux et doit être réparé.
3. Débranchez la fiche de la source d'alimentation et/ou retirez la batterie, si elle est amovible, de l'outil électrique avant d'effectuer des réglages, de changer d'accessoires ou de ranger l'outil électrique. Ces mesures de sécurité préventives réduisent le risque de démarrage accidentel de l'outil électrique.
4. Rangez les outils électriques inutilisés hors de portée des enfants et ne laissez pas des personnes ne connaissant pas l'outil électrique ou ces instructions utiliser l'outil électrique. Les outils électriques sont dangereux entre les mains d'utilisateurs non formés.
5. Entretien des outils électriques et les accessoires. Vérifiez que les pièces mobiles ne sont pas mal alignées ou coincées, que les pièces ne sont pas cassées et que rien n'affecte le fonctionnement de l'outil électrique. S'il est endommagé, faites-le réparer avant de l'utiliser. De nombreux accidents sont causés par des outils électriques mal entretenus.
6. Maintenir les outils de coupe affûtés et propres. Les outils de coupe correctement entretenus et dotés d'arêtes tranchantes sont moins susceptibles de se coincer et sont plus faciles à contrôler.
7. Utilisez l'outil électrique, les accessoires et les embouts, etc. conformément à ces instructions, en tenant compte des conditions de travail et du travail à effectuer. L'utilisation de l'outil électrique pour des opérations différentes de celles prévues peut entraîner une situation dangereuse.
7. Gardez les poignées et les surfaces de préhension sèches, propres et exemptes d'huile et de graisse. Les poignées et les surfaces de préhension glissantes ne permettent pas de manipuler et de contrôler l'outil en toute sécurité dans des situations inattendues. Lors de l'utilisation de l'outil, ne portez pas de gants de travail en tissu qui pourraient s'emmêler. L'enchevêtrement des gants de travail en tissu dans les pièces mobiles peut entraîner des blessures.
8. Maintenez les poignées et les surfaces de préhension sèches, propres et exemptes d'huile et de graisse. Des poignées et des surfaces de préhension glissantes ne permettent pas de manipuler et de contrôler l'outil en toute sécurité dans des situations inattendues.

Service

1. Faites réparer votre outil électrique par un réparateur qualifié qui n'utilisera que des pièces de rechange identiques. Cela permettra de garantir la sécurité de l'outil électrique.

2. Suivre les instructions pour la lubrification et le remplacement des accessoires.
3. Gardez les poignées sèches, propres et exemptes d'huile et de graisse.

Règles de sécurité spécifiques

GÉNÉRALITÉS

1. Cet outil ne doit pas être utilisé par des personnes âgées de moins de 16 ans.
2. Cet outil ne convient pas au ponçage à l'eau.
3. N'utilisez jamais l'outil si le cordon est endommagé ; faites-le remplacer par une personne qualifiée.
4. Ne pas travailler des matériaux contenant de l'amiante (l'amiante est considéré comme cancérigène).
5. Débranchez toujours la fiche de la source d'alimentation avant d'effectuer un réglage ou de changer un accessoire.

ACCESSOIRES

1. Le fonctionnement parfait de l'outil ne peut être assuré que si l'on utilise des accessoires d'origine.
2. Ne pas continuer à utiliser des disques de ponçage usés, déchirés ou fortement encrassés.

AVANT UTILISATION

1. Vérifiez toujours que la tension d'alimentation est la même que celle indiquée sur la plaque signalétique de l'outil (les outils d'une tension de 230V ou 240V peuvent également être alimentés par le réseau électrique) connecté à une alimentation de 220V).
2. Évitez les dommages pouvant être causés par des vis, des clous et d'autres éléments présents dans votre pièce ; retirez-les avant de commencer à travailler.
3. Utilisez des rallonges entièrement déroulées et sûres d'une capacité de 16 ampères (13 ampères au Royaume-Uni).
4. Le niveau sonore pendant le travail peut dépasser 85 dB(A) ; portez des protections auditives.
5. Les poussières provenant de matériaux tels que les peintures contenant du plomb, certaines essences de bois, les minéraux et les métaux peuvent être nocives (le contact ou l'inhalation des poussières peut provoquer des réactions allergiques et/ou des maladies respiratoires chez l'opérateur ou les personnes présentes) ; portez un masque anti-poussière et travaillez avec un dispositif d'extraction des poussières lorsqu'il peut être raccordé.
6. Certains types de poussière sont classés comme cancérigènes (comme la poussière de chêne et de hêtre), en particulier lorsqu'ils sont associés à des additifs pour le conditionnement du bois ; portez un masque anti-poussière et travaillez avec un dispositif d'extraction des poussières lorsqu'il est possible de le raccorder.
7. Respectez les exigences nationales en matière de poussière pour les matériaux avec lesquels vous souhaitez travailler.
8. Porter des gants de protection, des lunettes de sécurité, des vêtements ajustés et une protection des cheveux (pour les cheveux longs).
9. Fixer la pièce (une pièce serrée à l'aide de dispositifs de serrage ou dans un étau est maintenue plus solidement qu'à la main).
10. Le ponçage du métal génère des étincelles ; ne pas utiliser de bac à poussière et tenir les autres personnes et les matériaux combustibles à l'écart de la zone de travail.

PENDANT L'UTILISATION

1. Tenez toujours le cordon à l'écart des pièces mobiles de l'outil ; orientez le cordon vers l'arrière, à l'écart de l'outil.
2. Ne pas toucher le disque de ponçage en mouvement.
3. En cas de dysfonctionnement électrique ou mécanique, éteignez immédiatement l'outil et débranchez la prise.
4. Si le cordon est endommagé ou coupé pendant le travail, ne touchez pas au cordon, mais débranchez immédiatement la fiche.

APRÈS UTILISATION

1. Lorsque vous rangez l'outil, éteignez le moteur et assurez-vous que toutes les pièces mobiles sont complètement arrêtées.
2. Si, pour une raison quelconque, l'ancienne fiche est coupée du cordon de cet outil, elle doit être éliminée en toute sécurité et ne doit pas être laissée sans surveillance.

FONCTIONNEMENT

Avant la première utilisation (Fig. 3)

Sortez la ponceuse de finition et tous les accessoires de l'emballage et vérifiez que toutes les pièces n'ont pas été endommagées pendant le transport. Tenez les matériaux d'emballage hors de portée des enfants. Il existe un risque de suffocation. Fixation du papier de verre : Choisissez le papier de verre en fonction du matériau travaillé. Utilisez du papier de verre de grain 40-60 pour un ponçage grossier et sur des surfaces irrégulières. Utilisez le grain plus fin de 120 pour une finition plus lisse.

1. Fixez le papier abrasif sur le plateau de ponçage et assurez-vous que les trous du papier abrasif s'adaptent aux ouvertures de la plaque de base. Ce n'est que de cette manière que la poussière de ponçage peut être aspirée par les conduits d'aspiration du plateau de ponçage.
2. Appuyez fermement le papier abrasif sur le plateau de ponçage.

Sélection du papier abrasif.

Utilisez toujours des papiers abrasifs adaptés au matériau que vous souhaitez poncer. Ensuite, les papiers doivent avoir une granulométrie correcte. En fonction de la granulométrie, il existe des degrés de grossièreté. La grosseur est indiquée par un chiffre au dos des papiers. Plus le chiffre est élevé, plus le grain est fin. Il est important d'utiliser le bon papier pour chaque travail. Pour un ponçage grossier, utilisez des grains allant jusqu'à 80. Pour les bois tendres comme le mélèze, le pin ou l'épicéa, utilisez des papiers de 60 à 150 grains. Pour les bois durs et denses comme le hêtre ou l'érable, on peut utiliser des grains allant jusqu'à 220.

Montage/démontage/vidage du sac à poussière (Fig. 1)

Utilisez toujours le sac à poussière lors du ponçage

1. Placez le sac à poussière sur le raccord d'évacuation prévu à cet effet. Pousser la boîte jusqu'à l'extrémité dans le boîtier.
2. Pour retirer la boîte de collecte des poussières, il suffit de la tirer vers l'extérieur. Il est préférable de nettoyer le bac de collecte des poussières et le raccord d'échappement dans le boîtier après chaque utilisation. De cette manière, la boîte de collecte des poussières peut être facilement insérée et retirée.
3. Pour vider le sac de collecte des poussières, il suffit de le tapoter ou, si possible, de le nettoyer à l'air comprimé.

Insertion du papier abrasif

Éteindre la machine, débrancher l'alimentation électrique.

Mise en marche et arrêt (Fig. 2)

1. Brancher la fiche sur une prise de courant
2. Activer le fonctionnement continu, appuyer sur le bouton(2)
3. Arrêt du fonctionnement continu : appuyer sur le bouton(2)

Sablage

1. Positionner l'ensemble de la surface de ponçage sur la pièce à poncer
2. Mettez la machine en marche et guidez-la sur la surface à poncer en effectuant des mouvements circulaires. Ne pas exercer de pression supplémentaire sur la machine lors du ponçage, le poids de la machine elle-même est généralement suffisant pour assurer un nombre de tours optimal et un bon résultat. Ne pas basculer ! Effectuez plusieurs opérations de ponçage en utilisant du papier de verre qui s'affine progressivement.

NETTOYAGE ET ENTRETIEN

ATTENTION ! Avant d'effectuer toute opération d'entretien ou de réparation, débranchez l'appareil. Utilisez une brosse sèche pour nettoyer les ouvertures de dépolluissage. Nettoyez le boîtier avec un chiffon humide uniquement - n'utilisez pas de solvants ! Séchez bien. Retirez le sac de collecte des poussières de la section en plastique pour le vider. Videz le sac avec précaution, en essayant de ne pas créer de poussière. Ne respirez pas la poussière de scie ! Lavez le sac à l'eau froide savonneuse et laissez-le sécher. Avant chaque utilisation, vérifiez que la machine, le câble et les accessoires ne sont pas endommagés. Faites effectuer les réparations nécessaires par un spécialiste. Les machines qui ne fonctionnent plus correctement doivent être éliminées dans les règles de l'art, conformément aux réglementations locales.

Dépannage

Problème	Cause possible	Solution
L'outil électrique ne fonctionne pas lorsqu'il est allumé	Court-circuit dans l'enroulement du moteur. Déconnexion entre la fiche et la prise de courant. Pas de tension dans la prise d'alimentation. Contact de commutation desserré. Usure du balai de carbone. Déconnexion entre le balai de carbone et le collecteur.	Remplacer le stator/rotor (technicien). Brancher la fiche dans la prise de courant. Vérifier et réparer l'alimentation électrique. Remplacer le tableau de distribution (technicien). Remplacer le balai de carbone (technicien). Vérifier la connexion entre le balai de carbone et le collecteur (technicien).
Étincelles excessives	Sous-pression dans le ressort du balai de carbone. Usure excessive de l'alimentation. Déconnexion entre le balai de carbone et le collecteur. Incendie annulaire causé par un court-circuit dans l'enroulement du rotor. Feu annulaire causé par un court-circuit dans le segment du collecteur.	Remplacer le balai de carbone (technicien). Réguler la tension d'alimentation. Remplacer le balai de carbone (technicien). Vérifier ou remplacer le rotor (technicien). Contrôler ou remplacer le rotor (technicien).
Surchauffe de la machine	Surcharge de l'électromoteur. Sortie d'air obstruée.	Fonctionner normalement en se référant aux spécifications. Dégager l'entrée/sortie d'air.
Pas de mouvement au niveau de la plaque de base pendant le fonctionnement du moteur	Dommages aux roulements. Détérioration de la roue excentrique. Blocage au niveau de l'aube de la roue en raison du frottement contre la plaque de base.	Remplacer le roulement (technicien). Remplacer la roue excentrique (technicien). Réparer ou remplacer.
Vibrations excessives des machines	Fracture de l'arbre de transmission. Vérifier l'usure ou l'endommagement de la roue excentrique.	Remplacer la roue excentrique (technicien).
Effet de ponçage insuffisant	Forte usure du papier abrasif ou sélection incorrecte du papier abrasif.	Remplacer le papier abrasif.

Protection de l'environnement et élimination des déchets

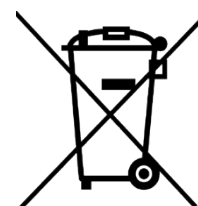
Élimination des emballages



Éliminer les emballages séparément. Jeter le carton et le papier dans la poubelle, le plastique dans les centres de collecte des déchets.

Mise au rebut de la ponceuse à palmes

Les équipements usagés ne doivent pas être jetés avec les ordures ménagères ! Ce symbole indique que ce produit ne doit pas être jeté avec les ordures ménagères, conformément à la directive (2012/19/CE) relative aux déchets d'équipements électriques et électroniques (DEEE). Ce produit doit être remis à un point de collecte désigné. Cela peut se faire, par exemple, en le retournant lors de l'achat d'un produit similaire ou en le déposant dans un point de collecte agréé pour le recyclage des déchets d'équipements électriques et électroniques. En raison des substances potentiellement dangereuses qui sont souvent contenues dans les déchets d'équipements électroniques, une manipulation incorrecte des déchets d'équipements peut avoir un impact négatif sur l'environnement et sur la santé des êtres humains. En éliminant correctement ce produit, vous contribuez également à une utilisation efficace des ressources naturelles. Vous pouvez obtenir des informations sur les points de collecte des déchets auprès de votre commune, du service public d'élimination des déchets, d'une institution autorisée à éliminer les déchets d'équipements électriques et électroniques ou des services de collecte des déchets. Éliminez la ponceuse à palettes conformément aux réglementations en vigueur dans votre pays.



ISTRUZIONI GENERALI DI SICUREZZA PER GLI UTENSILI ELETTRICI



ATTENZIONE! LEGGERE ATTENTAMENTE LE ISTRUZIONI PER L'USO PRIMA DI METTERE IN FUNZIONE L'APPARECCHIATURA. La mancata osservanza Le istruzioni non rispettate possono provocare scosse elettriche, incendi e/o gravi lesioni personali. Le persone che non conoscono le istruzioni non possono utilizzare l'apparecchiatura. Conservare con cura le istruzioni per l'uso. L'uso dell'apparecchiatura è vietato a bambini e ragazzi.



Indossare occhiali di sicurezza



Doppio isolamento



Indossare una protezione per l'udito



Leggere le istruzioni prima di utilizzare lo strumento



Utilizzare sempre un respiratore quando si lavorano materiali che generano polvere



Indossare guanti di sicurezza

Nota: Per i dati tecnici del prodotto, consultare la pagina 9.

Sicurezza dell'area di lavoro

1. Mantenere l'area di lavoro pulita e ben illuminata. Aree disordinate o buie favoriscono gli incidenti.
2. Non utilizzare gli utensili elettrici in atmosfere esplosive, ad esempio in presenza di liquidi, gas o polveri infiammabili. Gli utensili elettrici generano scintille che possono incendiare la polvere o i fumi.
3. Tenete lontani i bambini e gli astanti mentre utilizzate un utensile elettrico. Le distrazioni possono far perdere il controllo.

Sicurezza elettrica

1. Le spine degli utensili elettrici devono corrispondere alla presa di corrente. Non modificare mai la spina in alcun modo. Non utilizzare spine adattatrici con utensili elettrici dotati di messa a terra. Spine non modificate e prese corrispondenti riducono il rischio di scosse elettriche.
2. Evitare il contatto del corpo con superfici collegate a terra o a massa, come tubi, radiatori, cucine e frigoriferi. Il rischio di scosse elettriche aumenta se il corpo è collegato a terra.
3. Non esporre gli utensili elettrici alla pioggia o al bagnato. L'ingresso di acqua in un utensile elettrico aumenta il rischio di scosse elettriche.
4. Non abusare del cavo. Non utilizzare mai il cavo per trasportare, tirare o scollegare l'utensile elettrico. Tenere il cavo lontano da calore, olio, bordi taglienti o parti in movimento. I cavi danneggiati o aggrovigliati aumentano il rischio di scosse elettriche.
5. Quando si utilizza un elettroscopio all'aperto, utilizzare una prolunga adatta all'uso esterno. L'uso di un cavo adatto all'esterno riduce il rischio di scosse elettriche.
6. Se l'utilizzo di un utensile elettrico in un luogo umido è inevitabile, utilizzare un'alimentazione protetta da interruttore differenziale (salvavita). L'uso di un interruttore differenziale riduce il rischio di scosse elettriche.

Sicurezza personale

1. Quando si utilizza un elettroscopio, occorre essere vigili, fare attenzione a ciò che si fa e usare il buon senso. Non utilizzare un utensile elettrico quando si è stanchi o sotto l'effetto di droghe, alcol o farmaci. Un momento di disattenzione durante l'uso di utensili elettrici può causare gravi lesioni personali.
2. Utilizzare dispositivi di protezione personale. Indossare sempre una protezione per gli occhi. I dispositivi di protezione come la maschera antipolvere, le scarpe di sicurezza antiscivolo, l'elmetto o le protezioni per l'udito, utilizzati in condizioni adeguate, ridurranno le lesioni personali.
3. Prevenire l'avviamento involontario. Assicurarsi che l'interruttore sia in posizione off prima di collegare la fonte di alimentazione e/o la batteria, di sollevare o trasportare l'utensile. Trasportare gli utensili elettrici con il dito sull'interruttore o dare energia agli utensili elettrici che hanno l'interruttore acceso invita agli incidenti.
4. Prima di accendere l'elettroscopio, rimuovere la chiave di regolazione o la chiave. Una chiave o una chiave lasciata attaccata a una parte rotante dell'elettroscopio può provocare lesioni personali.
5. Non estendere eccessivamente le braccia durante l'utilizzo dell'utensile. Mantenere sempre una posizione corretta e un buon equilibrio. Ciò consente di controllare meglio l'elettroscopio in situazioni impreviste.
6. Vestirsi in modo adeguato. Non indossare abiti larghi o gioielli. Tenere i capelli e gli indumenti lontani dalle parti in movimento. Vestiti larghi, gioielli o capelli lunghi possono impigliarsi nelle parti in movimento.
7. Se sono previsti dispositivi per il collegamento di impianti di aspirazione e raccolta delle polveri, accertarsi che siano collegati e utilizzati correttamente. L'uso della raccolta della polvere può ridurre i rischi legati alla polvere.
8. Non lasciate che la familiarità acquisita con l'uso frequente degli utensili vi permetta di diventare compiacenti e di ignorare i principi di sicurezza degli utensili. Un'azione incauta può causare gravi lesioni in una frazione di secondo.

Uso e cura degli elettroscopio

1. Non forzare l'elettroscopio. Utilizzate l'elettroscopio corretto per la vostra applicazione. L'elettroscopio corretto svolgerà il lavoro in modo migliore e più sicuro alla velocità per cui è stato progettato.
2. Non utilizzare l'elettroscopio se l'interruttore non lo accende e non lo spegne. Qualsiasi utensile elettrico che non può essere controllato con l'interruttore è pericoloso e deve essere riparato.
3. Scollegare la spina dalla fonte di alimentazione e/o rimuovere la batteria, se staccabile, dall'elettroscopio prima di effettuare qualsiasi regolazione, cambiare gli accessori o riporre l'elettroscopio. Queste misure di sicurezza preventive riducono il rischio di avviamento accidentale dell'elettroscopio.
4. Conservare gli utensili elettrici inattivi fuori dalla portata dei bambini e non permettere a persone che non conoscono l'utensile o le presenti istruzioni di utilizzarlo. Gli utensili elettrici sono pericolosi nelle mani di persone non addestrate.
5. Eseguire la manutenzione degli utensili elettrici e degli accessori. Controllare che non vi siano disallineamenti o legature delle parti mobili, rotture di parti e qualsiasi altra condizione che possa influire sul funzionamento dell'elettroscopio. Se danneggiato, far riparare l'elettroscopio prima dell'uso. Molti incidenti sono causati da una cattiva manutenzione degli utensili elettrici.
6. Mantenere gli utensili da taglio affilati e puliti. Gli utensili da taglio sottoposti a una corretta manutenzione, con bordi taglienti affilati, hanno meno probabilità di legarsi e sono più facili da controllare.
7. Utilizzare l'elettroscopio, gli accessori e le punte per utensili ecc. in conformità alle presenti istruzioni, tenendo conto delle condizioni di lavoro e dell'attività da svolgere. L'uso dell'elettroscopio per operazioni diverse da quelle previste potrebbe causare situazioni di pericolo.
8. Mantenere le impugnature e le superfici di presa asciutte, pulite e prive di olio e grasso. Impugnature e superfici di presa scivolose non consentono di maneggiare e controllare l'utensile in modo sicuro in situazioni impreviste. Quando si utilizza l'utensile, non indossare guanti da lavoro in tessuto che potrebbero impigliarsi. L'impigliamento dei guanti di stoffa nelle parti in movimento può causare lesioni personali.
9. Mantenere le impugnature e le superfici di presa asciutte, pulite e prive di olio e grasso. Impugnature e superfici di presa scivolose non consentono una manipolazione e un controllo sicuri dell'utensile in situazioni impreviste.

Servizio

1. Affidare la manutenzione dell'elettroscopio a un tecnico qualificato che utilizzi esclusivamente parti di ricambio identiche. In questo modo si garantisce la sicurezza dell'elettroscopio.
2. Seguire le istruzioni per la lubrificazione e la sostituzione degli accessori.
3. Mantenere le maniglie asciutte, pulite e prive di olio e grasso.

Norme di sicurezza specifiche

GENERALE

1. Questo strumento non deve essere utilizzato da persone di età inferiore ai 16 anni.
2. Questo strumento non è adatto alla levigatura a umido.
3. Non utilizzare mai l'utensile se il cavo è danneggiato; farlo sostituire da un tecnico qualificato.
4. Non lavorare materiali contenenti amianto (l'amianto è considerato cancerogeno).
5. Scollegare sempre la spina dalla fonte di alimentazione prima di effettuare qualsiasi regolazione o di cambiare un accessorio.

ACCESSORI

1. Il funzionamento perfetto dell'utensile può essere garantito solo se si utilizzano accessori originali.
2. Non continuare a utilizzare dischi di levigatura usurati, strappati o fortemente intasati.

PRIMA DELL'USO

1. Verificare sempre che la tensione di alimentazione corrisponda a quella indicata sulla targhetta dell'utensile (gli utensili con tensione nominale di 230V o 240V possono essere anche collegato a un'alimentazione a 220 V).
2. Evitare i danni che possono essere causati da viti, chiodi e altri elementi presenti nel pezzo in lavorazione; rimuoverli prima di iniziare a lavorare.
3. Utilizzare prolunghe completamente srotolate e sicure con una capacità di 16 Amp (U.K. 13 Amp).
4. Il livello di rumore durante il lavoro può superare gli 85 dB(A); indossare protezioni per le orecchie.
5. La polvere di materiali come vernici contenenti piombo, alcune specie di legno, minerali e metalli può essere nociva (il contatto o l'inalazione della polvere può causare reazioni allergiche e/o malattie respiratorie all'operatore o agli astanti); indossare una maschera antipolvere e lavorare con un dispositivo di aspirazione della polvere, se collegabile.
6. Alcuni tipi di polvere sono classificati come cancerogeni (come la polvere di quercia e di faggio), soprattutto in combinazione con gli additivi per il condizionamento del legno; indossare una maschera antipolvere e lavorare con un dispositivo di aspirazione della polvere quando è possibile collegarlo.
7. Seguire i requisiti nazionali relativi alla polvere per i materiali che si desidera lavorare.
8. Indossare guanti protettivi, occhiali di sicurezza, abiti aderenti e protezione per i capelli (per i capelli lunghi).
9. Fissare il pezzo da lavorare (un pezzo bloccato con dispositivi di serraggio o in una morsa è tenuto più saldamente che a mano).
10. Quando si carteggia il metallo, si generano scintille; non utilizzare il contenitore per la polvere e allontanare altre persone e materiale combustibile dall'area di lavoro.

DURANTE L'USO

1. Tenere sempre il cavo lontano dalle parti mobili dell'utensile; dirigere il cavo verso la parte posteriore, lontano dall'utensile.
2. Non toccare il disco abrasivo in movimento.
3. In caso di malfunzionamento elettrico o meccanico, spegnere immediatamente l'utensile e staccare la spina.
4. Se il cavo viene danneggiato o tagliato durante il lavoro, non toccarlo, ma staccare immediatamente la spina.

DOPO L'USO

1. Quando si ripone l'utensile, spegnere il motore e assicurarsi che tutte le parti in movimento siano completamente ferme.
2. Se per qualsiasi motivo la vecchia spina viene tagliata dal cavo di questo strumento, deve essere smaltita in modo sicuro e non lasciata incustodita.

FUNZIONAMENTO

Prima del primo utilizzo (Fig. 3)

Estrarre la levigatrice per finitura e tutti gli accessori dall'imballaggio e controllare che tutte le parti non abbiano subito danni durante il trasporto. Tenere il materiale di imballaggio fuori dalla portata dei bambini. C'è il rischio di soffocamento. Montaggio della carta vetrata: Scegliere la carta vetrata in base al materiale da lavorare. Utilizzare carta abrasiva con grana 40-60 per la levigatura grossolana e su superfici irregolari. Utilizzare la grana più fine di 120 per una finitura più liscia.

1. Applicare la carta abrasiva sulla piastra di levigatura e assicurarsi che i fori della carta abrasiva si adattino alle aperture della piastra di base. Solo in questo modo la polvere di levigatura può essere aspirata attraverso i condotti di aspirazione della piastra di levigatura.
2. Premere con decisione la carta abrasiva sulla piastra di levigatura.

Selezione della carta abrasiva.

Utilizzare sempre carte abrasive adatte al materiale da levigare. Le carte devono avere la giusta grana. A seconda della grana esistono gradi di ruvidità. La grossolanità è specificata da un numero riportato sul retro delle carte. Più alto è il numero, più fine è la grana. È importante utilizzare la carta giusta per ogni lavoro. Per la levigatura grossolana utilizzare grane fino a 80, per legni teneri come larice, pino o abete rosso utilizzare carte da 60 a 150. Per i legni duri come il faggio o l'acero, si possono usare grane fino a 220.

Montaggio/smontaggio/svuotamento del sacchetto raccogli-polvere (Fig. 1)

Utilizzare sempre il sacchetto per la polvere durante la levigatura

1. Posizionare il sacchetto della polvere sul raccordo di scarico in dotazione. Spingere la scatola fino all'estremità nell'alloggiamento.
2. Per rimuovere la scatola di raccolta della polvere, è sufficiente tirarla verso l'esterno. Dopo ogni utilizzo, è preferibile pulire la scatola di raccolta della polvere e il raccordo di esalazione nell'alloggiamento. In questo modo la scatola di raccolta della polvere può essere facilmente inserita e rimossa.
3. Per svuotare il sacchetto di raccolta della polvere, è sufficiente battere o, se disponibile, pulire con aria compressa.

Inserimento della carta vetrata

Spegnere la macchina e scollegare l'alimentazione.

Accensione e spegnimento (Fig. 2)

1. Collegare la spina a una presa di corrente
2. Attivare il funzionamento continuo, premendo il pulsante(2)
3. Disattivare il funzionamento continuo: premere il pulsante(2)

Levigatura

1. Posizionare l'intera superficie di levigatura sul pezzo da lavorare.
2. Accendere la macchina e guidarla sulla superficie da levigare con movimenti circolari. Non esercitare una pressione supplementare sulla macchina durante la levigatura; il peso della macchina stessa è di solito sufficiente a garantire giri ottimali e un buon risultato. Non rovesciarsi! Eseguire diversi processi di levigatura utilizzando carta abrasiva che diventa gradualmente più fine.

PULIZIA E MANUTENZIONE

ATTENZIONE! Prima di eseguire qualsiasi operazione di cura o manutenzione, scollegare l'alimentazione. Pulire le aperture di aspirazione della polvere con un pennello asciutto. Pulire l'alloggiamento solo con un panno umido - non utilizzare solventi! Quindi asciugare bene. Rimuovere il sacchetto di raccolta della polvere dalla sezione in plastica per svuotarlo. Svuotare con attenzione, cercando di non creare polvere. Non respirare la polvere della sega! Lavare il sacchetto in acqua fredda e sapone e lasciarlo asciugare. Prima di ogni utilizzo, controllare che la macchina, il cavo e gli accessori non siano danneggiati. Far eseguire le riparazioni necessarie da un tecnico specializzato. Le macchine che non funzionano più correttamente devono essere smaltite correttamente secondo le norme locali.

Risoluzione dei problemi

Problema	Possibile causa	Soluzione
L'elettrotensile non funziona quando è acceso	Cortocircuito nell'avvolgimento del motore. Disconnessione tra la spina e la presa di corrente. Assenza di tensione nella presa di alimentazione. Contatto di commutazione allentato. Usura della spazzola di carbone. Disconnessione tra spazzola di carbone e commutatore.	Sostituire statore/rotore (tecnico dell'assistenza). Inserire la spina nella presa di corrente. Controllare e riparare l'alimentazione. Sostituire il quadro elettrico (tecnico dell'assistenza). Sostituire la spazzola di carbone (tecnico dell'assistenza). Controllare il collegamento tra spazzola di carbone e commutatore (tecnico dell'assistenza).
Scintillamento eccessivo	Sottopressione nella molla della spazzola di carbone. Usura eccessiva dell'alimentazione. Disconnessione tra spazzola di carbone e commutatore. Incendio dell'anello causato da un cortocircuito nell'avvolgimento del rotore. Incendio anulare causato da un cortocircuito nel segmento del commutatore.	Sostituire la spazzola di carbone (tecnico dell'assistenza). Regolare la tensione di alimentazione. Sostituire la spazzola di carbone (tecnico dell'assistenza). Controllare o sostituire il rotore (tecnico dell'assistenza). Controllare o sostituire il rotore (tecnico dell'assistenza).
Surriscaldamento della macchina	Sovraccarico del motore elettrico. Uscita dell'aria intasata.	Funzionare normalmente in base alle specifiche. Pulire l'ingresso/uscita dell'aria.
Nessun movimento alla piastra di base durante il funzionamento del motore	Danni ai cuscinetti. Danno alla ruota eccentrica. Blocco della lama della ruota dovuto allo sfregamento contro la piastra di base.	Sostituire il cuscinetto (tecnico dell'assistenza). Sostituire la ruota eccentrica (tecnico dell'assistenza). Riparare o sostituire.
Vibrazioni eccessive dei macchinari	Frattura dell'albero oscillante. Servire l'usura o il danneggiamento della ruota eccentrica.	Sostituire la ruota eccentrica (tecnico dell'assistenza).
Effetto di levigatura insufficiente	Forte usura della carta abrasiva o selezione errata della carta abrasiva.	Sostituire la carta abrasiva.

Protezione ambientale e smaltimento

Smaltimento degli imballaggi



Smaltire gli imballaggi separatamente. Smaltire il cartone e la carta nella raccolta differenziata, la plastica nei centri di raccolta.

Smaltimento della levigatrice per palme

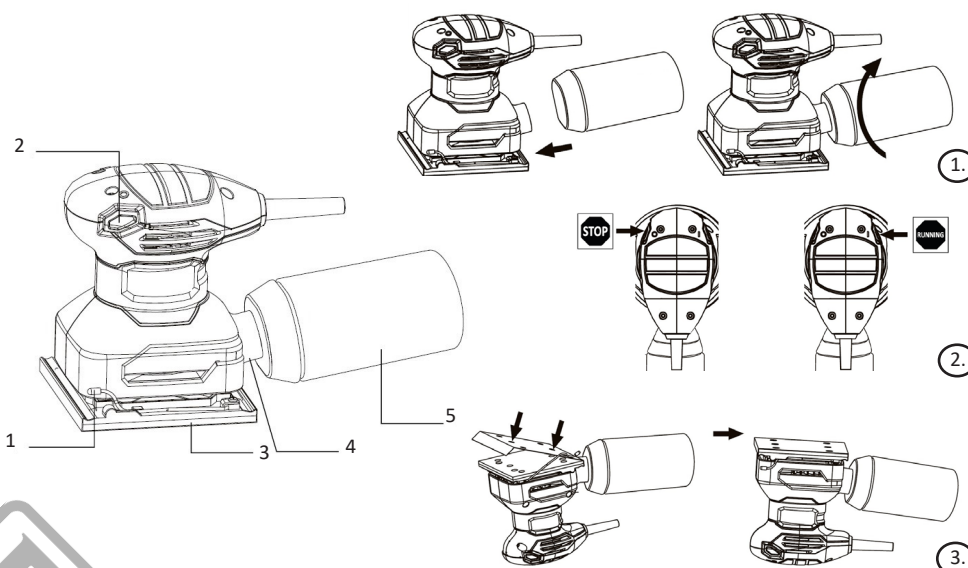
Le apparecchiature usate non devono essere smaltite insieme ai rifiuti domestici! Questo simbolo indica che questo prodotto non può essere smaltito insieme ai rifiuti domestici in conformità alla direttiva (2012/19/CE) sui rifiuti di apparecchiature elettriche ed elettroniche (RAEE). Questo prodotto deve essere consegnato in un punto di raccolta designato. Ciò può avvenire, ad esempio, restituendolo quando si acquista un prodotto simile o consegnandolo presso un punto di raccolta autorizzato per il riciclaggio dei rifiuti di apparecchiature elettriche ed elettroniche. A causa delle sostanze potenzialmente pericolose spesso contenute nei rifiuti di apparecchiature elettroniche, una gestione non corretta dei rifiuti può avere un impatto negativo sull'ambiente e sulla salute delle persone. Smaltendo correttamente questo prodotto, si contribuisce anche a un uso efficiente delle risorse naturali. Per informazioni sui punti di raccolta dei rifiuti di apparecchiature, rivolgersi al comune di residenza, all'ente pubblico per lo smaltimento dei rifiuti, a un ente autorizzato per lo smaltimento dei rifiuti di apparecchiature elettriche ed elettroniche o ai servizi di raccolta dei rifiuti. Smaltire la levigatrice in conformità alle norme di smaltimento vigenti nel proprio Paese.



ОПИСАНИЕ НА ОСНОВНИТЕ ЧАСТИ / OPIS GLAVNIH DELOV

1. Система за притискане на шкурка
2. Спусък ON/OFF (включване/изключване)
3. Шлифовъчна плоча
4. Система за прахоулавяне
5. Адаптер

1. Sistem za vpenjanje brusilnih listov
2. Sprožilec ON/OFF (vklop/izklop)
3. Plošča za brušenje
4. Sistem za odsesavanje prahu
5. Adapter



Предвидена употреба

Шлайфът с длан е предназначен и може да се използва само за сухо шлайфане и полиране. Подходяща е за обработка на дървени, метални, гипсови, пластмасови и пълнежни повърхности. Може да се използва и за отстраняване на ръжда, стара боя и междинно шлайфане. Всяка друга употреба е изрично забранена и се счита за неправилна употреба. Производителят не носи отговорност за щети или наранявания, причинени от неправилна употреба на продукта.

Технически данни

Модел	BSS1450
Номинална входна мощност	230 Watt
Номинално напрежение и честота	230 V / 50 Hz
Скорост на празен ход	13.500 об/мин
Размер на подложката за шлайфане	115 x 110 мм
Диаметър на кръговата осцилация	1,6 мм
Захранващ кабел	2 м
Принадлежности	- Торбичка за прах - 1 бр. шкурка № 80

* Производителят си запазва правото да прави незначителни промени в дизайна и техническите спецификации на продуктите без предварително уведомление, освен ако тези промени не засягат значително работата и безопасността на продуктите. Частите, описани/илюстрирани на страниците на ръководството, което държите в ръцете си, може да се отнасят и за други модели от продуктова линия на производителя с подобни характеристики и може да не са включени в току-що придобития от вас продукт.

* За да се гарантира безопасността и надеждността на продукта и валидността на гаранцията, всички работи по ремонт, проверка, поправка или замяна, включително поддръжка и специални настройки, трябва да се извършват само от техници от оторизирания сервизен отдел на производителя.

* Винаги използвайте продукта с доставеното оборудване. Работата на продукта с оборудване, което не е доставено, може да доведе до неизправности или дори до сериозни наранявания или смърт. Производителят и вносителят не носят отговорност за наранявания и щети, възникнали в резултат на използването на несъответстващо на изискванията оборудване.

Predvidena uporaba

Dlanski brusilnik je namenjen in se lahko uporablja samo za suho brušenje in poliranje. Primeren je za obdelavo lesa, kovine, ometa, plastike in polnilnih površin. Uporablja se lahko tudi za odstranjevanje rje, stare barve in vmesno brušenje. Vsaka drugačna uporaba je izrecno prepovedana in se šteje za zlorabo. Proizvajalec ne odgovarja za škodo ali poškodbe, ki so posledica napačne uporabe izdelka.

Tehnični podatki

Model	BSS1450
Nazivna vhodna moč	230 Watt
Nazivna napetost in frekvenca	230 V / 50 Hz
Hitrost brez obremenitve	13.500 vrtlj./min
Velikost brusilne plošče	115 x 110 mm
Premer krožnega nihanja	1,6 mm
Napajalni kabel	2 m
Dodatna oprema	- Vrečka za praх - 1 kos brusnega papirja # 80

* Proizvajalec si pridržuje pravico do manjših sprememb zasnove in tehničnih specifikacij izdelka brez predhodnega obvestila, razen če te spremembe bistveno vplivajo na delovanje in varnost izdelkov. Deli, opisani/prikazani na straneh priročnika, ki ga držite v rokah, se lahko nanašajo tudi na druge modele proizvajalčeve linije izdelkov s podobnimi lastnostmi in morda niso vključeni v izdelek, ki ste ga pravkar pridobili.

* Da bi zagotovili varnost in zanesljivost izdelka ter veljavnost garancije, smejo vsa popravila, preglede, popravila ali zamenjave, vključno z vzdrževanjem in posebnimi nastavitvami, opravljati le tehniški pooblaščenega servisnega oddelka proizvajalca.

* Izdelek vedno uporabljajte s priloženo opremo. Uporaba izdelka z opremo, ki ni priložena, lahko povzroči nepravilno delovanje ali celo hude telesne poškodbe ali smrt. Proizvajalec in uvoznik ne odgovarjata za poškodbe in škodo, ki so posledica uporabe neustrezne opreme.

ОБЩИ ИНСТРУКЦИИ ЗА БЕЗОПАСНОСТ ЗА ЕЛЕКТРОИНСТРУМЕНТИ



ПРЕДУПРЕЖДЕНИЕ! ПРОЧЕТЕТЕ ИНСТРУКЦИИТЕ ЗА УПОТРЕБА, ПРЕДИ ДА СТАРТИРАТЕ ОБОРУДВАНЕТО. Неспазването на всички инструкции, изброени по-долу, може да доведе до токов удар, пожар и/или сериозно нараняване на хора. Лица, които не са запознати с инструкциите, не могат да работят с оборудването. Съхранявайте инструкциите за употреба на сигурно място. На деца и младежи не се разрешава да работят с оборудването.



Носете предпазни очила



Двойна изолация



Носете защита на слуха



Прочетете инструкциите, преди да използвате инструмента



Винаги използвайте дихателен апарат, когато обработвате материали, генериращи прах.



Носете предпазни ръкавици

Забележка: Вижте страница 16 за техническите данни на продукта.

Безопасност в работната зона

1. Поддържайте работната зона чиста и добре осветена. Затрупаните или тъмни места са предпоставка за инциденти.
2. Не работете с електроинструменти във взривоопасна атмосфера, например в присъствието на запалими течности, газове или прах. Електроинструментите създават искри, които могат да възпламенят праха или изпаренията.
3. Пазете децата и страничните лица настрана, докато работите с електроинструмента. Отвличането на вниманието може да доведе до загуба на контрол.

Електрическа безопасност

1. Щепселите на електроинструментите трябва да съответстват на контакта. Никога не променяйте щепсела по какъвто и да е начин. Не използвайте никакви адаптерни щепсели със заземени (заземени) електроинструменти. Немодифицираните щепсели и съответстващите контакти ще намалят риска от токов удар.
2. Избягвайте контакт на тялото със заземени повърхности, като тръби, радиатори, печки и хладилници. Съществува повишен риск от токов удар, ако тялото ви е заземено или заземено.
3. Не излагайте електроинструментите на дъжд или влага. Навлизането на вода в електроинструмента увеличава риска от токов удар.
4. Не злоупотребявайте с кабела. Никога не използвайте кабела за пренасяне, дърпане или изключване на електроинструмента. Пазете кабела от топлина, масло, остри ръбове или движещи се части. Повредените или заплетени шнурове увеличават риска от токов удар.
5. Когато работите с електроинструмент на открито, използвайте удължител, подходящ за употреба на открито. Използването на кабел, подходящ за употреба на открито, намалява риска от токов удар.
6. Ако работата с електроинструмента на влажно място е неизбежна, използвайте захранване, което е защитено с дефектнотокова защита (ДТЗ). Използването на дефектнотокова защита намалява риска от токов удар.

Лична безопасност

1. Бъдете нащрек, внимавайте какво правите и използвайте здрав разум, когато работите с електроинструмент. Не използвайте електроинструмент, когато сте уморени или под въздействието на наркотици, алкохол или лекарства. Момент на невнимание по време на работа с електроинструменти може да доведе до сериозно нараняване на хора.
2. Използвайте лични предпазни средства. Винаги носете предпазни очила. Защитното оборудване, като например маска против прах, нехлъзгащи се предпазни обувки, твърда шапка или защита на слуха, използвано при подходящи условия, ще намали личните наранявания.
3. Предотвратяване на непреднамерено стартиране. Уверете се, че превключвателят е в изключено положение, преди да се свържете с източника на захранване и/или батерията, да вземете или пренесете инструмента. Пренасянето на електроинструменти с пръст върху превключвателя или пускането под напрежение на електроинструменти, които са с включен превключвател, приканва към злополуки.
4. Преди да включите електроинструмента, отстранете всички регулиращи ключове или гаечни ключове. Ключ или гаечен ключ, оставен прикрепен към въртяща се част на електроинструмента, може да доведе до телесни повреди.
5. Не изпълнявайте прекалено ръцете си, докато работите с инструмента. Поддържайте правилна стойка и равновесие през цялото време. Това дава възможност за по-добър контрол на електроинструмента в неочаквани ситуации.
6. Облечете се подходящо. Не носете свободни дрехи или бижута. Дръжте косата и дрехите си далеч от движещите се части. Свободните дрехи, бижутата или дългата коса могат да бъдат захванати от движещите се части.
7. Ако са предвидени устройства за свързване на съоръжения за извличане и събиране на прах, уверете се, че те са свързани и се използват правилно. Използването на прахоуловители може да намали свързаните с праха опасности.
8. Не позволявайте на познанията, придобити от честото използване на инструментите, да ви позволят да станете самодоволни и да пренебрегнете принципите за безопасност на инструментите. Едно невнимателно действие може да доведе до тежки наранявания в рамките на част от секундата.

Използване и грижа за електроинструменти

1. Не насилвайте електроинструмента. Използвайте подходящия електроинструмент за вашето приложение. Правилният електроинструмент ще свърши работата по-добре и по-безопасно със скоростта, за която е проектиран.
2. Не използвайте електроинструмента, ако превключвателят не го включва и изключва. Всеки електроинструмент, който не може да се управлява с превключвателя, е опасен и трябва да се ремонтира.
3. Преди да извършвате каквито и да било настройки, да сменяте принадлежности или да съхранявате електроинструменти, изключете щепсела от източника на захранване и/или извадете батерията, ако е отделяща се, от електроинструмента. Тези превантивни мерки за безопасност намаляват риска от случайно стартиране на електроинструмента.
4. Съхранявайте неработещите електроинструменти на място, недостъпно за деца, и не позволявайте на лица, които не са запознати с електроинструмента или с тези инструкции, да работят с него. Електроинструментите са опасни в ръцете на необучени потребители.
5. Поддържане на електрически инструменти и аксесоари. Проверявайте за несъсност или обвързване на движещите се части, счупване на части и всякакви други условия, които могат да повлияят на работата на електроинструмента. Ако е повреден, поправете електроинструмента преди употреба. Много злополуки се причиняват от лошо поддържани електрически инструменти.
6. Поддържайте режещите инструменти остри и чисти. Правилно поддържаните режещи инструменти с остри режещи ръбове е по-малко вероятно да се заклещат и са по-лесни за управление.
8. Използвайте електроинструмента, принадлежностите, крайниците и др. в съответствие с тези инструкции, като се съобразявате с условията на работа и извършваната работа. Използването на електроинструмента за операции, различни от предвидените, може да доведе до опасна ситуация.
7. Поддържайте дръжките и повърхностите за хващане сухи, чисти и без масла и мазнини. Хлъзгавите дръжки и повърхности за хващане не позволяват безопасно боравене и управление на инструментите в неочаквани ситуации. Когато използвате инструмента, не носете платнени работни ръкавици, които могат да се заплетат. Заплитането на платнените работни ръкавици в движещите се части може да доведе до телесни наранявания.
8. Поддържайте дръжките и повърхностите за хващане сухи, чисти и без масла и мазнини. Хлъзгавите дръжки и повърхности за хващане не позволяват безопасно боравене и управление на инструментите в неочаквани ситуации.

Услуга

1. Възложете сервизното обслужване на електроинструмента на квалифициран сервизен специалист, като използвате само идентични резервни части. Това ще гарантира, че безопасността на електроинструмента е запазена.

2. Спазвайте инструкциите за смазване и смяна на принадлежностите.
3. Поддържайте дръжките сухи, чисти и без масла и мазнини.

Специфични правила за безопасност

ОБЩО

1. Този инструмент не трябва да се използва от лица под 16-годишна възраст.
2. Този инструмент не е подходящ за мокро шлайфане.
3. Никога не използвайте инструмента, когато кабелът е повреден; дайте го да бъде сменен от квалифицирано лице.
4. Не работете с материали, съдържащи азбест (азбестът се счита за канцерогенен).
5. Винаги изключвайте щепсела от източника на захранване, преди да извършвате каквото и да било настройки или да смените каквото и да било аксесоари.

АКСЕСОАРИ

1. Безупречно функциониране на инструмента може да се гарантира само при използване на оригинални аксесоари.
2. Не продължавайте да използвате износени, скъсани или силно запушени шлифовъчни дискове.

ПРЕДИ ИЗПОЛЗВАНЕ

1. Винаги проверявайте дали захранващото напрежение е същото като напрежението, посочено на табелката на инструмента (инструменти с номинално напрежение 230 V или 240 V могат да бъдат свързани и към захранване 220 V).
2. Избягвайте повреди, които могат да бъдат причинени от винтове, пирони и други елементи в детайла; отстранете ги, преди да започнете работа.
3. Използвайте напълно разгнати и безопасни удължители с капацитет 16 ампера (Великобритания - 13 ампера).
4. Нивото на шума при работа може да надхвърли 85 dB(A); носете предпазни средства за ушите.
5. Прахът от материали като боя, съдържаща олово, някои дървесни видове, минерали и метал може да бъде вреден (контактът с праха или вдишването му може да причини алергични реакции и/или респираторни заболявания на оператора или на околните); носете маска против прах и работете с устройство за извличане на прах, когато е възможно.
6. Някои видове прах са класифицирани като канцерогенни (като дъбов и буков прах), особено в комбинация с добавки за кондициониране на дървесина; носете маска против прах и работете с устройство за извличане на прах, когато е възможно.
7. Спазвайте свързаните с праха национални изисквания за материалите, с които искате да работите.
8. Носете защитни ръкавици, предпазни очила, плътно прилепнали дрехи и предпазни средства за косата (за дълга коса).
9. Закрепете детайла (детайл, захванат със стягащи устройства или в клещи, се държи по-сигурно, отколкото с ръка).
10. При шлайфане на метал се образуват искри; не използвайте кутия за прах и не допускайте други лица и горими материали в работната зона.

ПО ВРЕМЕ НА ИЗПОЛЗВАНЕ

1. Винаги дръжте кабела далеч от движещите се части на инструмента; насочете кабела назад, далеч от инструмента.
2. Не докосвайте движещия се шлифовъчен диск.
3. В случай на електрическа или механична неизправност незабавно изключете инструмента и извадете щепсела от контакта.
4. Ако кабелът е повреден или прерязан по време на работа, не докосвайте кабела, а незабавно изключете щепсела.

СЛЕД ИЗПОЛЗВАНЕ

1. Когато прибирате инструмента, изключете двигателя и се уверете, че всички движещи се части са спрели напълно.
2. Ако по някаква причина старият щепсел бъде отрязан от кабела на този инструмент, той трябва да бъде изхвърлен безопасно и да не се оставя без надзор.

ОПЕРАЦИЯ

Преди първата употреба (фиг. 3)

Извадете шлайфмашината за финашно шлайфане и всички приспособления за достъп от опаковката и проверете всички части за повреди при транспортирането им. Съхранявайте опаковъчния материал на място, недостъпно за деца. Съществува риск от задушаване. Прикрепване на шкурка Изберете шкурка в зависимост от обработвания материал. За грубо шлайфане и върху неравни повърхности използвайте шлайф хартия със зърнометрия 40-60. Използвайте финална хартия със зърно 120 за по-гладка повърхност.

1. Прикрепете шлайфащата хартия към плочата за шлайфане и се уверете, че отворите на шлайфащата хартия съвпадат с отворите на основната плоча. Само по този начин прахът от шлайфането може да се изсмуква през всмукателните канали в плочата за шлайфане.
2. Натиснете здраво шкурката върху шлифовъчната плоча.

Избор на шкурка.

Винаги използвайте абразивни хартии, подходящи за материала, който искате да шлифовате. След това хартията трябва да има правилната големина на зърната. В зависимост от размера на зърната има степени на грубост. Степента на грубост е посочена с номер на гърба на хартията. Колкото по-голямо е числото, толкова по-fino е зърното. Важно е да се използва правилната хартия за всяка работа. За грубо шлайфане използвайте хартии със зърнометрия до 80, а за мека дървесина като лиственица, бор или смърч - хартии със зърнометрия от 60 до 150. За плътна твърда дървесина като бук или клен могат да се използват хартии със зърнометрия до 220.

Сглобяване/разглобяване/изпразване на прахосмукачката (фиг. 1)

Винаги използвайте торбичката за прах, когато шлифовате

1. Поставете торбата за прах върху предвидената изпускателна връзка. Избутайте кутията докрай в корпуса.
2. За да извадите кутията за събиране на прах, просто издърпайте кутията навън. За предпочитане е да почистите кутията за събиране на прах и връзката на ауспуха в корпуса след всяка употреба. По този начин кутията за събиране на прах може лесно да се поставя и изважда.
3. За да изпразните торбата за събиране на прах, просто я изтупайте или, ако имате възможност, я почистете със състен въздух.

Поставяне на шкурка

Изключете машината, прекъснете захранването.

Включване и изключване (фиг. 2)

1. Свържете щепсела към електрически контакт
2. Включете непрекъснат режим на работа, натиснете бутон(2)
3. Изключване на непрекъснатата работа: натиснете бутон(2)

Шлифоване

1. Поставете цялата шлифовъчна повърхност върху детайла
2. Включете машината и я насочете по шлайфаната повърхност с кръгови движения. Не прилагайте допълнителен натиск върху машината при шлайфане, теглото на самата машина обикновено е достатъчно, за да се осигурят оптимални обороти и добър резултат. Не се преобръщайте! Завършете няколко процеса на шлифоване, като използвате шлифовъчна хартия, която постепенно става по-фина.

ПОЧИСТВАНЕ И ПОДДРЪЖКА

ВНИМАНИЕ! Преди да извършвате каквито и да било дейности по грижа или поддръжка, изключете захранването. Използвайте суха четка, за да почистите отворите за извличане на прах. Почиствайте корпуса само с влажна кърпа - не използвайте разтворители! След това подсушете добре. Извадете торбичката за събиране на прах от пластмасовата секция, за да я изпразните. Изпразвайте внимателно, старайте се да не създавате прах. Не вдъшвайте прах от триона! Измийте торбата в студена сапунена вода и оставете да изсъхне. Преди всяка употреба проверявайте машината, кабела и принадлежностите, за да се уверите, че не са повредени. Възложете на специалист да извърши всички необходими ремонти. Машините, които вече не функционират правилно, трябва да се изхвърлят правилно в съответствие с местните разпоредби.

Отстраняване на неизправности

Проблем	Възможна причина	Решение
Електроинструментът не работи, когато е включен	Късо съединение в намотката на двигателя. Прекъсване на връзката между щепсела и електрическия контакт. Няма напрежение в захранващия контакт. Разхлабен превключващ контакт. Износване на въглеродната четка. Прекъсване на връзката между въглеродната четка и комутатора.	Заменете статора/ротора (сервизен техник). Поставете щепсела в електрическия контакт. Проверете и ремонтирайте захранването. Сменете таблото (сервизен техник). Заменете въглеродната четка (сервизен техник). Проверете връзката между въглеродната четка и комутатора (сервизен техник).
Прекомерно искрене	Подналягане в пружината на въглеродната четка. Прекомерно износване на захранващата мощност. Прекъсване на връзката между въглеродната четка и комутатора. Запалване на пръстена, причинено от късо съединение в намотката на ротора късо съединение. Пожар в пръстена, причинен от късо съединение в сегмента на комутатора.	Сменете въглеродната четка (сервизен техник). Регулиране на захранващото напрежение. Сменете въглеродната четка (сервизен техник). Проверете или сменете ротора (сервизен техник). Проверете или сменете ротора (сервизен техник).
Прегряване на машината	Претоварване на електродвигателя. Запушен изход за въздух.	Обикновено се работи с позоваване на спецификацията. Почистете входа/изхода за въздух.
Няма движение при базовата плоча по време на работа на двигателя	Повреда на лагера. Повреда на ексцентриковото колело. Блокиране на лопатката на колелото поради триене в основната плоча.	Сменете лагера (сервизен техник). Заменете ексцентричното колело (сервизен техник). Поправете или заменете.
Прекомерни вибрации на машините	Счупване на люлеещия се вал. Обслужвайте износване или повреда в ексцентриковото колело.	Сменете ексцентричното колело (сервизен техник).
Нестандартен ефект от шлифоването	Силно износване на абразивната хартия или неправилен избор на абразивна хартия.	Сменете абразивната хартия.

Опазване на околната среда и изхвърляне

Изхвърляне на опаковки



Изхвърлете опаковката отделно. Изхвърляйте картоната и хартията в контейнерите за отпадъци, а пластмасата - в пунктовете за събиране на отпадъци.

Изхвърляне на палмовата шлайфмашина

Използваното оборудване не трябва да се изхвърля заедно с битовите отпадъци! Този символ указва, че този продукт не може да бъде изхвърлян заедно с битови отпадъци в съответствие с Директива (2012/19/ЕО) относно отпадъците от електрически и електронни устройства (ОЕЕО). Този продукт трябва да бъде предаден в определен пункт за събиране. Това може да стане например чрез връщането му при закупуване на подобен продукт или чрез предаването му в оторизиран събирателен пункт за рециклиране на отпадъци от електрическо и електронно оборудване. Поради потенциално опасните вещества, които често се съдържат в отпадъчното електронно оборудване, неправилното боравене с него може да има отрицателно въздействие върху околната среда и върху здравето на хората. Като изхвърляте този продукт правилно, вие също допринасяте за ефективното използване на природните ресурси. Информация за пунктовете за събиране на отпадъчно оборудване можете да получите от местната власт, от обществения орган за изхвърляне на отпадъци, от оторизирана институция за изхвърляне на отпадъчно електрическо и електронно оборудване или от службите за събиране на отпадъци. Изхвърляйте палмовата шлайфмашина в съответствие с приложимите разпоредби за изхвърляне във вашата страна.



SPLOŠNA VARNOSTNA NAVODILA ZA ELEKTRIČNA ORODJA



OPOZORILO! PRED ZAGONOM OPREME PREBERITE NAVODILA ZA UPORABO. Neupoštevanje vseh spodaj navedenih navodil, lahko pride do električnega udara, požara in/ali hudih telesnih poškodb. Osebe, ki niso seznanjene z navodili, ne smejo uporabljati opreme. Navodila za uporabo hranite na varnem. Otrokom in mladostnikom ni dovoljeno upravljati opreme.



Nosite zaščitna očala



Dvojna izolacija



Nosite zaščito sluha



Pred uporabo orodja preberite navodila



Pri obdelovanju materialov, ki povzročajo prah, vedno uporabljajte dihalni aparat.



Nosite zaščitne rokavice

Opomba: Tehnične podatke o izdelku najdete na strani 16.

Varnost na delovnem mestu

1. Delovno območje naj bo čisto in dobro osvetljeno. Zapletena ali temna območja so nevarna za nesreče.
2. Električnega orodja ne uporabljajte v eksplozivnih okoljih, kot so vnetljive tekočine, plini ali prah. Električna orodja ustvarjajo iskre, ki lahko vžgejo prah ali hlape.
3. Med upravljanjem električnega orodja se izogibajte otrokom in mimoidočim. Zaradi odvratanja pozornosti lahko izgubite nadzor.

Električna varnost

1. Vtiči električnega orodja morajo ustrezati vtičnici. Nikoli ne spreminjajte vtiča na kakršen koli način. Z ozemljenimi (ozemljenimi) električnimi orodji ne uporabljajte nobenih adapterskih vtičev. Neprilagojeni vtiči in ustrezne vtičnice zmanjšajo tveganje električnega udara.
2. Izogibajte se telesnemu stiku z ozemljenimi ali ozemljenimi površinami, kot so cevi, radiatorji, štedilniki in hladilniki. Če je vaše telo ozemljeno ali ozemljeno, obstaja večja nevarnost električnega udara.
3. Električnih orodij ne izpostavljajte dežju ali vlagi. Vdor vode v električno orodje poveča tveganje električnega udara.
4. Ne zlorablajte kabla. Vrvce nikoli ne uporabljajte za prenašanje, vlečenje ali odklop električnega orodja. Vrvico hranite stran od vročine, olja, ostrih robov ali gibljivih delov. Poškodovane ali zapletene vrvce povečujejo nevarnost električnega udara.
5. Če električno orodje uporabljate na prostem, uporabite podaljšek, ki je primeren za uporabo na prostem. Uporaba kabla, primerne za uporabo na prostem, zmanjša nevarnost električnega udara.
6. Če se ne morete izogniti uporabi električnega orodja na vlažnem mestu, uporabite napajalnik, ki je zaščiten z zaščitno napravo za diferenčni tok. Uporaba take naprave zmanjša tveganje električnega udara.

Osebna varnost

1. Pri delu z električnim orodjem bodite pozorni, pazite, kaj počnete, in uporabljajte zdravo pamet. Ne uporabljajte električnega orodja, če ste utrujeni ali pod vplivom drog, alkohola ali zdravil. Trenutek nepozornosti med upravljanjem električnega orodja lahko povzroči hude telesne poškodbe.
2. Uporabljajte osebno zaščitno opremo. Vedno nosite zaščito za oči. Zaščitna oprema, kot so maska proti prahu, nedrseči varnostni čevlji, trda kapa ali zaščita sluha, ki se uporablja v ustreznih pogojih, bo zmanjšala število osebnih poškodb.
3. Preprečite nenameren zagon. Pred priključitvijo na vir napajanja in/ali akumulator, dvigovanjem ali prenašanjem orodja se prepričajte, da je stikalo v izklopljenem položaju. Prenašanje električnega orodja s prstom na stikalo ali vklop električnega orodja, ki ima vklopljeno stikalo, spodbuja nesreče.
4. Pred vklopom električnega orodja odstranite nastavitveni ključ ali ključ. Ključ ali ključ, ki ostane pritrjen na vrteči se del električnega orodja, lahko povzroči telesne poškodbe.
5. Pri delu z orodjem ne iztegujte preveč rok. Vedno imejte pravilno podlago in ravnotežje. To omogoča boljši nadzor nad električnim orodjem v nepričakovanih situacijah.
6. Ustrezno se oblecite. Ne nosite ohlapnih oblačil ali nakita. Lasje in oblačila naj ne bodo v bližini gibljivih delov. Ohlapna oblačila, nakit ali dolgi lasje lahko se ujamejo v premikajoče se dele.
7. Če so na voljo naprave za priključitev naprav za odsesavanje in zbiranje prahu, poskrbite, da so te naprave priključene in se pravilno uporabljajo. Uporaba naprav za zbiranje prahu lahko zmanjša nevarnosti, povezane s prahom.
8. Ne dovolite, da bi zaradi poznavanja, ki ga pridobite s pogosto uporabo orodja, postali samozadovoljni in zanemarili načela varnosti orodja. Neprevidno ravnanje lahko v delčku sekunde povzroči hude poškodbe.

Uporaba in oskrba električnega orodja

1. Električnega orodja ne pritiskajte na silo. Uporabite ustrezno električno orodje za vašo uporabo. Pravilno električno orodje bo delo opravilo bolje in varneje s hitrostjo, za katero je bilo zasnovano.
2. Električnega orodja ne uporabljajte, če ga stikalo ne vklaplja in izklaplja. Električno orodje, ki ga ni mogoče upravljati s stikalom, je nevarno in ga je treba popraviti.
3. Pred kakršnikoli nastavitvami, menjavo pribora ali shranjevanjem električnega orodja iztaknite vtič iz vira napajanja in/ali iz električnega orodja odstranite baterijo, če je ta snemljiva. Takšni preventivni varnostni ukrepi zmanjšujejo tveganje nenamernega zagona električnega orodja.
4. Električno orodje v mirovanju shranjujte zunaj dosega otrok in ne dovolite, da bi ga uporabljale osebe, ki niso seznanjene z električnim orodjem ali temi navodili. Električna orodja so v rokah neusposobljenih uporabnikov nevarna.
5. Vzdrževanje električnih orodij in dodatne opreme. Preverite, ali so gibljivi deli nepravilno poravnani ali vezani, ali se deli lomijo, in vse druge okoliščine, ki bi lahko vplivale na delovanje električnega orodja. Če je električno orodje poškodovano, ga pred uporabo popravite. Veliko nesreč je posledica slabo vzdrževanega električnega orodja.
6. Orodja za rezanje naj bodo ostra in čista. Ustrezno vzdrževana rezalna orodja z ostrimi rezalnimi robovi se redkeje zatikajo in jih je lažje nadzorovati.
8. Električno orodje, dodatno opremo, nastavke itd. uporabljajte v skladu s temi navodili, ob upoštevanju delovnih pogojev in dela, ki ga je treba opraviti. Uporaba električnega orodja za drugačna opravila, kot so predvidena, lahko povzroči nevarne razmere.
7. Ročaji in površine za prijemanje naj bodo suhi, čisti ter brez olja in maščob. Spolzki ročaji in oprijemalne površine ne omogočajo varnega rokovanja in nadzora nad orodjem v nepričakovanih situacijah. Pri uporabi orodja ne nosite tkaninskih delovnih rokavic, ki se lahko zapletejo. Zapletanje tkaninskih delovnih rokavic v gibljive dele lahko povzroči telesne poškodbe.
8. Ročaji in površine za prijemanje naj bodo suhi, čisti ter brez olja in maščob. Spolzki ročaji in oprijemalne površine ne omogočajo varnega rokovanja in nadzora nad orodjem v nepričakovanih situacijah.

Storitev

1. Električno orodje naj servisira usposobljen serviser, ki uporablja samo enake nadomestne dele. Tako boste zagotovili varnost električnega orodja.
2. Upoštevajte navodila za mazanje in menjavo dodatkov.
3. Ročaji naj bodo suhi, čisti ter brez olja in maščob.

Posebni varnostni predpisi

SPLOŠNO

1. Tega orodja ne smejo uporabljati osebe, mlajše od 16 let.
2. To orodje ni primerno za mokro brušenje.
3. Nikoli ne uporabljajte orodja, če je kabel poškodovan; naj ga zamenja usposobljena oseba.
4. Ne obdelujte materialov, ki vsebujejo azbest (azbest velja za rakotvornega).
5. Pred kakršno koli nastavitvijo ali menjavo dodatne opreme vtič vedno izključite iz vira napajanja.

DODATKI

1. Brezhibno delovanje orodja je mogoče zagotoviti le z uporabo originalne dodatne opreme.
2. Ne uporabljajte obrabljenih, raztrganih ali močno zamašenih brusilnih diskov.

PRED UPORABO

1. Vedno preverite, ali je napajalna napetost enaka napetosti, navedeni na tipski ploščici orodja (orodja z nazivno napetostjo 230 V ali 240 V so lahko tudi priključeni na napajanje 220 V).
2. Izogibajte se poškodbam, ki jih lahko povzročijo vijaki, želbli in drugi elementi v obdelovancu; odstranite jih, preden začnete delati.
3. Uporabljajte popolnoma razvite in varne podaljške z zmogljivostjo 16 amperov (v Veliki Britaniji 13 amperov).
4. Raven hrupa med delom lahko preseže 85 dB(A); nosite zaščito za ušesa.
5. Prah iz materialov, kot so barve, ki vsebujejo svinec, nekatere vrste lesa, minerali in kovine, je lahko škodljiv (stik s prahom ali vdihavanje prahu lahko povzroči alergijske reakcije in/ali bolezni dihal pri upravljavcu ali mimoidočih); nosite masko proti prahu in delajte z napravo za odsesavanje prahu, če jo je mogoče priključiti.
6. Nekatere vrste prahu so razvrščene kot rakotvorne (na primer hrastov in bukov prah), zlasti v povezavi z dodatki za obdelavo lesa; nosite masko proti prahu in delajte z napravo za odsesavanje prahu, če jo je mogoče priključiti.
7. Upoštevajte nacionalne zahteve glede prahu za materiale, s katerimi želite delati.
8. Nosite zaščitne rokavice, zaščitna očala, tesno prilegajoča se oblačila in zaščito za lase (pri dolgih lasih).
9. Obdelovanec pritrdite (obdelovanec, ki je vpet z vpenjalnimi napravami ali v primežu, se drži bolj varno kot z roko).
10. Pri brušenju kovine nastajajo iskre; ne uporabljajte posode za prah in poskrbite, da se druge osebe in gorljivi materiali ne bodo nahajali na delovnem območju.

MED UPORABO

1. Kabel vedno držite stran od gibljivih delov orodja; kabel usmerite nazaj, stran od orodja.
2. Ne dotikajte se premikajočega se brusilnega krožnika.
3. V primeru električne ali mehanske okvare takoj izklopite orodje in izključite vtič.
4. Če je kabel med delom poškodovan ali prerezan, se ga ne dotikajte, temveč takoj izključite vtič.

PO UPORABI

1. Ko orodje pospravljate, izklopite motor in poskrbite, da se vsi gibljivi deli popolnoma ustavijo.
2. Če iz kakršnega koli razloga s kabla tega orodja odrežete stari vtič, ga morate varno odvreči in ga ne smete pustiti brez nadzora.

OPERACIJA

Pred prvo uporabo (slika 3)

Brusilnik za končno obdelavo in vse dostopne dele vzemite iz embalaže in preverite, ali so bili vsi deli med prevozom poškodovani. Embalažni material hranite zunaj dosega otrok. Obstaja nevarnost zadušitve. Pritrditev brusnega papirja Brusni papir izberite glede na obdelovani material. Za grobo brušenje in na neravnih površinah uporabljajte brusni papir z zrnatostjo 40-60. Za bolj gladko obdelavo uporabite finiše z zrnatostjo 120.

1. Brusilni papir pritrdite na brusilno ploščo in se prepričajte, da se odprtine na brusilnem papirju ujemajo z odprtinami na osnovni plošči. Le tako se lahko brusni prah odvaja skozi sesalne kanale v brusilni plošči.
2. Brusilni papir močno pritisnite na brusilno ploščo.

Izbira brusnega papirja

Vedno uporabljajte brusne papirje, primerne za material, ki ga želite brusiti. Papirji morajo imeti pravilno velikost zrn. Glede na velikost zrn obstajajo stopnje grobosti. Grobost je navedena s številko na hrbtni strani papirja. Čim večja je številka, tem drobnejša so zrna. Pomembno je, da za vsako delo uporabite pravi papir. Za grobo brušenje uporabite papirje z zrnatostjo do 80, za mehak les, kot so macesen, bor ali smreka, pa papirje z zrnatostjo od 60 do 150. Za gost trši les, kot sta bukev ali javor, lahko uporabite papirje z zrnatostjo do 220.

Sestavljanje/razstavljanje/izpraznjevanje vrečke za prah (slika 1)

Pri brušenju vedno uporabljajte vrečko za prah.

1. Vrečko za prah namestite na predvideni priključek za izpušni sistem. Škatlo do konca potisnite v ohišje.
2. Če želite odstraniti zbirnik prahu, ga potegnite navzven. Po vsaki uporabi po možnosti očistite škatlo za zbiranje prahu in priključek za ekshalacije v ohišju. S tem boste škatlo za zbiranje prahu enostavno vstavili in odstranili.
3. Vrečko za zbiranje prahu izpraznite s pipo ali, če je na voljo, jo očistite s stisnjenim zrakom.

Vstavljanje brusnega papirja

Izklopite stroj in odklopite napajanje.

Vklop in izklop (slika 2)

1. Priključite vtič v električno vtičnico
2. Vključite neprekinjeno delovanje, pritisnite gumb (2)
3. Izklop neprekinjenega delovanja: pritisnite gumb (2)

Brušenje

1. Postavite celotno površino za brušenje na obdelovanec.
2. Vključite stroj in ga s krožnimi gibi vodite po površini, ki jo želite pobrusiti. Med brušenjem ne pritiskajte dodatno na stroj, teža samega stroja običajno zadostuje za zagotovitev optimalnega števila vrtljajev in dobrega rezultata. Ne prevračajte stroja! Opravite več postopkov brušenja z uporabo brusnega papirja, ki se postopoma finiše.

ČIŠČENJE IN VZDRŽEVANJE

POZOR! Pred izvajanjem kakršnih koli vzdrževalnih ali negovalnih del odklopite iz električnega omrežja. Odprtine za odsesavanje prahu očistite s suho krtačo. Ohišje očistite samo z vlažno krpo - ne uporabljajte topil! Nato jo dobro osušite. Odstranite vrečko za zbiranje prahu iz plastičnega dela in jo izpraznite. Izpraznite jo previdno, poskusite preprečiti nastajanje prahu. Ne vdihavajte prahu iz žage! Vrečko izperite v hladni milnici in pustite, da se posuši. Pred vsako uporabo preverite stroj, kabel in dodatno opremo, da se prepričate, da niso poškodovani. Morebitna potrebna popravila zaupajte strokovnjaku. Stroje, ki ne delujejo več pravilno, je treba pravilno odstraniti v skladu z lokalnimi predpisi.

Odpravljanje težav

Problem	Možen vzrok	Rešitev
Električno orodje ne deluje, ko je vklopljeno	Kratek stik v navitju motorja. Prekinitev povezave med vtičem in vtičnico. V vtičnici ni napetosti. Ohlapen stik za preklapljanje. Izrabljenost ogljikove ščetke. Prekinitev povezave med ogljikovimi ščetkami in komutatorjem.	Zamenjajte stator/rotor (servisni tehnik). Vtič vstavite v električno vtičnico. Preverite in popravite napajanje. Zamenjajte stikalno ploščo (servisni tehnik). Zamenjajte ogleno krtačo (servisni tehnik). Preverite povezavo med ogljikovo ščetko in komutatorjem (servisni tehnik).
Prekomerno iskrenje	Podtlak v vzmeti ogljikovih ščetk. Prevelika obraba v napajalniku. Prekinitev povezave med ogljikovimi ščetkami in komutatorjem. Požar obroča zaradi kratkega stika v rotorskem navitju kratkega stika. Požar obroča zaradi kratkega stika v segmentu komutatorja.	Zamenjajte ogleno krtačo (servisni tehnik). Uravnava napajalne napetosti. Zamenjajte ogleno krtačo (servisni tehnik). Preverite ali zamenjajte rotor (servisni tehnik). Preverite ali zamenjajte rotor (servisni tehnik).
Pregrevanje stroja	Preobremenitev elektromotorja. Zamašen izhod za zrak.	Običajno deluje v skladu s specifikacijo. Očistite dovod/izhod zraka.
Brez gibanja pri osnovni ploščici med delovanjem motorja	Poškodba ležaja. Poškodba ekscentričnega kolesa. Blokada na kolesni lopatici zaradi drgnjenja ob osnovno ploščo.	Zamenjajte ležaj (servisni tehnik). Zamenjajte ekscentrično kolo (servisni tehnik). Popravite ali zamenjajte.
Prekomerne vibracije strojev	Zlom nihajne gredi. Preverite obrabo ali poškodbo ekscentričnega kolesa.	Zamenjajte ekscentrično kolo (servisni tehnik).
Neustrezen učinek brušenja	Močna obraba brusnega papirja ali nepravilna izbira brusnega papirja.	Zamenjajte brusni papir.

Varstvo okolja in odstranjevanje

Odstranjevanje embalaže



Embalažo odvrzite ločeno. Karton in papir odvrzite v zabojnik za odpadni papir, plastiko pa v zbiralnici odpadkov.

Odstranjevanje brusilnika dlani

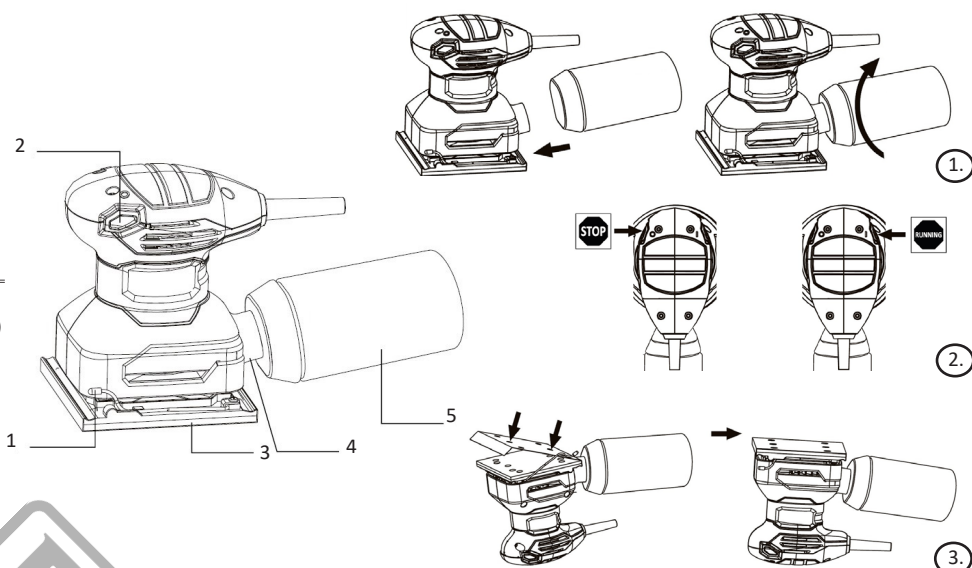
Uporabljene opreme ne smete odlagati skupaj z gospodinjskimi odpadki! Ta simbol označuje, da tega izdelka ni dovoljeno odlagati skupaj z gospodinjskimi odpadki v skladu z direktivo (2012/19/ES) o odpadnih električnih in elektronskih napravah (OEEO). Ta izdelek je treba oddati na določenem zbirnem mestu. To lahko storite na primer tako, da ga vrnete ob nakupu podobnega izdelka ali ga oddate na pooblaščenem zbirnem mestu za recikliranje odpadne električne in elektronske opreme. Zaradi potencialno nevarnih snovi, ki jih pogosto vsebuje odpadna elektronska oprema, lahko nepravilno ravnanje z odpadno opremo negativno vpliva na okolje in zdravje ljudi. S pravilnim odstranjevanjem tega izdelka prispevate tudi k učinkoviti rabi naravnih virov. Informacije o zbirnih mestih za odpadno opremo lahko dobite pri lokalnih oblasteh, javnem organu za odstranjevanje odpadkov, pooblaščenih institucijah za odstranjevanje odpadne električne in elektronske opreme ali pri službah za zbiranje odpadkov. Palmov brusilnik odstranite v skladu z veljavnimi predpisi o odstranjevanju odpadkov, ki veljajo v vaši državi.



DESCRIEREA PĂRȚILOR PRINCIPALE / OPIS GLAVNIH DIJELOVA

1. Sistem de prindere a foii de șlefuire
2. Trăgaci ON/OFF (pornit/oprit)
3. Placă de șlefuire
4. Sistem de extragere a prafului
5. Adaptor

1. Sustav stezanja brusnog lima
2. Okidač ON/OFF (uključivanje/isključivanje)
3. Brusna ploča
4. Sustav za usisavanje prašine
5. Adapter



Utilizarea preconizată

Șlefuitorul de palmă este conceput și poate fi utilizat numai pentru lucrări de șlefuire uscată și lustruire. Este potrivită pentru lucrul pe suprafețe din lemn, metal, ipsos, plastic și materiale de umplutură. De asemenea, poate fi utilizată pentru îndepărtarea ruginei, a vopselei vechi și pentru șlefuirea intermediară. Orice altă utilizare este interzisă în mod expres și este considerată utilizare necorespunzătoare. Producătorul nu poate fi tras la răspundere pentru daune sau răni cauzate de utilizarea necorespunzătoare a produsului.

Date tehnice

Model	BSS1450
Putere nominală de intrare	230 Watt
Tensiune și frecvență nominală	230 V / 50 Hz
Viteza fără sarcină	13500 rpm
Dimensiunea plăcuței de șlefuire	115 x 110 mm
Diametrul de oscilație circulară	1,6 mm
Cablu de alimentare	2 m
Accesorii	- Sac de praf - 1 buc. de hârtie de șlefuit nr. 80

* Producătorul își rezervă dreptul de a aduce modificări minore la designul și specificațiile tehnice ale produsului fără notificare prealabilă, cu excepția cazului în care aceste modificări afectează în mod semnificativ performanța și siguranța produselor. Piesele descrise / ilustrate în paginile manualului pe care îl țineți în mâini pot viza și alte modele din linia de produse ale producătorului cu caracteristici similare și pot să nu fie incluse în produsul pe care tocmai l-ați achiziționat.

* Pentru a asigura siguranța și fiabilitatea produsului, precum și valabilitatea garanției, toate lucrările de reparații, inspecții, reparații sau înlocuiri, inclusiv întreținerea și reglajele speciale, trebuie să fie efectuate numai de către tehnicienii ai departamentului de service autorizat al producătorului.

* Utilizați întotdeauna produsul cu echipamentul furnizat. Utilizarea produsului cu echipamente care nu sunt furnizate poate cauza defecțiuni sau chiar vătămări grave sau chiar moartea. Producătorul și importatorul nu sunt răspunzători pentru vătămările și daunele rezultate din utilizarea unui echipament neconform.

Namjena

Palmina brusilica je dizajnirana i može se koristiti samo za suhe brušenje i poliranje. Pogodan je za rad na površinama drva, metala, žbuke, plastike i punila. Također se može koristiti za uklanjanje hrđe, stare boje i srednjeg brušenja. Svaka druga uporaba izričito je zabranjena i smatra se zlouporabom. Proizvođač se ne može smatrati odgovornim za štetu ili ozljedu uzrokovanu zlouporabom proizvoda.

Tehnički podaci

Model	BSS1450
Nazivna ulazna snaga	230 Watt
Nazivni napon i frekvencija	230 V / 50 Hz
Nema brzine učitavanja	13500 okr/min
Veličina brusne pločice	115 x 110 mm
Promjer kružne oscilacije	1,6 mm
Kabel za napajanje	2 m
Pribor	- Vrećica za prašinu - 1 kom # 80 brusni papir

* Proizvođač zadržava pravo na manje izmjene u dizajnu proizvoda i tehničkim specifikacijama bez prethodne najave, osim ako te promjene značajno utječu na performanse i sigurnost proizvoda. Dijelovi opisani / ilustrirani na stranicama priručnika koje držite u rukama također se mogu odnositi na druge modele proizvođačeve linije proizvoda sa sličnim značajkama i možda neće biti uključeni u proizvod koji ste upravo nabavili.

* Kako bi se osigurala sigurnost i pouzdanost proizvoda i valjanost jamstva, sve popravke, inspekcije, popravne ili zamjenske radove, uključujući održavanje i posebne prilagodbe, smiju obavljati samo tehničari ovlaštenog servisnog odjela proizvođača.

* Uvijek koristite proizvod s isporučenom opremom. Rad proizvoda s neiskorištenom opremom može uzrokovati kvarove ili čak ozbiljne ozljede ili smrt. Proizvođač i uvoznik nisu odgovorni za ozljede i štete nastale uporabom nesukladne opreme.

INSTRUCȚIUNI GENERALE DE SIGURANȚĂ PENTRU UNELTELE ELECTRICE



AVERTISMENT! CITIȚI INSTRUCȚIUNILE DE UTILIZARE ÎNAINTE DE A PUNE ÎN FUNCȚIUNE ECHIPAMENTUL. Dacă nu se respectă toate instrucțiunile enumerate mai jos, poate duce la șocuri electrice, incendii și/sau vătămări corporale grave. Persoanele, care nu sunt familiarizate cu instrucțiunile, nu trebuie să utilizeze echipamentul. Păstrați în siguranță instrucțiunile de utilizare. Copiii și tinerilor nu le este permisă operarea echipamentului.



Purtați ochelari de protecție



Dublă izolație



Purtați protecție auditivă



Citiți instrucțiunile înainte de a utiliza instrumentul



Folosiți întotdeauna un aparat de respirat atunci când prelucrați materiale generatoare de praf.



Purtați mănuși de siguranță

Notă: Consultați pagina 23 pentru datele tehnice ale produsului.

Siguranța zonei de lucru

1. Păstrați zona de lucru curată și bine luminată. Zonele dezordonate sau întunecate favorizează accidentele.
2. Nu folosiți uneltele electrice în atmosfere explozive, cum ar fi în prezența unor lichide, gaze sau praf inflamabile. Uneltele electrice creează scântei care pot aprinde praful sau vaporii.
3. Țineți copiii și trecătorii la distanță în timp ce folosiți o unealtă electrică. Distragerile vă pot face să pierdeți controlul.

Siguranța electrică

1. Ștecherul sculelor electrice trebuie să se potrivească cu priza. Nu modificați niciodată fișa în niciun fel. Nu folosiți nicio fișă adaptatoare cu uneltele electrice cu împământare (cu împământare). Ștecherii nemodificați și prizele potrivite vor reduce riscul de electrocutare.
2. Evitați contactul corpului cu suprafețele împământate sau legate la pământ, cum ar fi țevile, radiatoarele, cuptoarele și frigiderul. Există un risc crescut de șoc electric dacă corpul dumneavoastră este legat la pământ sau împământat.
3. Nu expuneți uneltele electrice la ploaie sau la condiții umede. Apa care intră într-o unealtă electrică va crește riscul de electrocutare.
4. Nu abuzați de cablu. Nu folosiți niciodată cablul pentru a transporta, trage sau deconecta scula electrică. Păstrați cablul departe de căldură, ulei, margini ascuțite sau piese în mișcare. Cablurile deteriorate sau încurcate cresc riscul de electrocutare.
5. Atunci când folosiți o unealtă electrică în aer liber, utilizați un prelungitor adecvat pentru utilizare în aer liber. Utilizarea unui cablu adecvat pentru utilizare în exterior reduce riscul de electrocutare.
6. În cazul în care este inevitabil să folosiți o unealtă electrică într-o locație umedă, utilizați o sursă de alimentare care este protejată de un dispozitiv de curent diferențial rezidual (DDR). Utilizarea unui astfel de dispozitiv reduce riscul de electrocutare.

Siguranța personală

1. Rămâneți în alertă, urmăriți ceea ce faceți și folosiți bunul simț atunci când folosiți o unealtă electrică. Nu utilizați o unealtă electrică în timp ce sunteți obosit sau sub influența drogurilor, alcoolului sau a medicamentelor. Un moment de neatenție în timp ce folosiți uneltele electrice poate duce la vătămări corporale grave.
2. Utilizați echipament de protecție personală. Purtați întotdeauna protecție pentru ochi. Echipamentul de protecție, cum ar fi masca de protecție împotriva prafului, pantofii de siguranță antiderapați, casca de protecție sau protecția auditivă, utilizate în condiții adecvate, vor reduce vătămrile corporale.
3. Preveniți pornirea neintenționată. Asigurați-vă că întrerupătorul este în poziția oprit înainte de a conecta la sursa de alimentare și/sau la baterie, de a ridica sau de a transporta unealta. Transportarea uneltelor electrice cu degetul pe întrerupător sau punerea sub tensiune a uneltelor electrice care au întrerupătorul pornit invită la accidente.
4. Îndepărtați orice cheie sau cheie de reglare înainte de a porni scula electrică. O cheie sau o cheie lăsată atașată la o parte rotativă a sculei electrice poate duce la vătămări corporale.
5. Nu vă întindeți prea mult brațele în timp ce folosiți unealta. Păstrați în permanență o poziție corectă a picioarelor și echilibrul. Acest lucru permite un control mai bun al sculei electrice în situații neașteptate.
6. Îmbrăcați-vă corespunzător. Nu purtați haine largi sau bijuterii. Țineți-vă părul și hainele departe de piesele în mișcare. Hainele largi, bijuteriile sau părul lung pot fi prinse în piesele în mișcare.
7. În cazul în care sunt prevăzute dispozitive pentru conectarea instalațiilor de aspirare și colectare a prafului, asigurați-vă că acestea sunt conectate și utilizate în mod corespunzător. Utilizarea sistemelor de colectare a prafului poate reduce pericolele legate de praf.
8. Nu lăsați ca familiaritatea dobândită în urma utilizării frecvente a uneltelor să vă permită să vă lăsați în voia sorții și să ignorați principiile de siguranță a uneltelor. O acțiune neglijentă poate provoca răni grave într-o fracțiune de secundă.

Utilizarea și îngrijirea sculelor electrice

1. Nu forțați scula electrică. Folosiți scula electrică potrivită pentru aplicația dumneavoastră. Unealta electrică corectă va face treaba mai bine și mai sigur, la viteza pentru care a fost proiectată.
2. Nu utilizați scula electrică dacă întrerupătorul nu o pornește și nu o oprește. Orice unealtă electrică care nu poate fi controlată cu ajutorul comutatorului este periculoasă și trebuie reparată.
3. Deconectați ștecherul de la sursa de alimentare și/sau scoateți bateria, dacă este detașabilă, de la scula electrică înainte de a face orice reglaje, de a schimba accesoriile sau de a depozita sculele electrice. Astfel de măsuri preventive de siguranță reduc riscul de pornire accidentală a sculei electrice.
4. Depozitați uneltele electrice nefolosite la îndemâna copiilor și nu permiteți persoanelor care nu sunt familiarizate cu scula electrică sau cu aceste instrucțiuni să utilizeze scula electrică. Uneltele electrice sunt periculoase în mâinile unor utilizatori neinstruiți.
5. Întreținerea sculelor electrice și a accesoriilor. Verificați dacă piesele în mișcare nu sunt dezaliniate sau blocate, dacă piesele sunt rupte și orice altă condiție care poate afecta funcționarea sculei electrice. Dacă este deteriorată, reparați scula electrică înainte de utilizare. Multe accidente sunt cauzate de uneltele electrice prost întreținute.
6. Păstrați uneltele de tăiere ascuțite și curate. Uneltele de tăiere întreținute corespunzător, cu muchii de tăiere ascuțite, sunt mai puțin susceptibile de a se bloca și sunt mai ușor de controlat.
7. Utilizați scula electrică, accesoriile și biții de scule etc. în conformitate cu aceste instrucțiuni, ținând cont de condițiile de lucru și de lucrările care urmează să fie efectuate. Utilizarea sculei electrice pentru operațiuni diferite de cele prevăzute ar putea duce la o situație periculoasă.
8. Păstrați mânerul și suprafețele de prindere uscate, curate și fără ulei și grăsime. Mânerul și suprafețele de prindere alunecoase nu permit manevrarea și controlul sigur al sculei în situații neprevăzute. Când utilizați unealta, nu purtați mănuși de lucru din pânză care se pot încurca. Încălcirea mănușilor de lucru din pânză în piesele în mișcare poate duce la vătămări corporale.
8. Păstrați mânerul și suprafețele de prindere uscate, curate și fără ulei și grăsime. Mânerul și suprafețele de prindere alunecoase nu permit manevrarea și controlul sigur al sculei în situații neprevăzute.

Serviciul

1. Trimiteți scula electrică la un reparator calificat, care să efectueze reparații folosind numai piese de schimb identice. Acest lucru va asigura menținerea siguranței sculei electrice.
2. Urmați instrucțiunile pentru lubrifierea și schimbarea accesoriilor.
3. Păstrați mânerul uscat, curat și lipsit de ulei și grăsime.

Reglementări specifice de siguranță

GENERALITĂȚI

1. Acest instrument nu ar trebui să fie utilizat de persoane cu vârsta sub 16 ani.
2. Acest instrument nu este potrivit pentru șlefuirea umedă.
3. Nu utilizați niciodată unealta dacă cablul este deteriorat; solicitați înlocuirea acestuia de către o persoană calificată.
4. Nu lucrați materiale care conțin azbest (azbestul este considerat cancerigen).
5. Deconectați întotdeauna fișa de la sursa de alimentare înainte de a face orice ajustare sau de a schimba orice accesoriu.

ACCESORII

1. Funcționarea impecabilă a sculei poate fi asigurată numai dacă se utilizează accesorii originale.
2. Nu continuați să utilizați discuri de șlefuire uzate, rupte sau foarte înfundate.

ÎNAINTE DE UTILIZARE

1. Verificați întotdeauna dacă tensiunea de alimentare este aceeași cu cea indicată pe plăcuța de identificare a sculei (sculele cu o tensiune nominală de 230V sau 240V pot fi, de asemenea, conectat la o sursă de alimentare de 220 V).
2. Evitați deteriorările care pot fi cauzate de șuruburi, cuie și alte elemente din piesa de lucru; îndepărtați-le înainte de a începe lucrul.
3. Folosiți prelungitoare complet desfășurate și sigure, cu o capacitate de 16 amperi (Marea Britanie: 13 amperi).
4. Nivelul de zgomot în timpul lucrului poate depăși 85 dB(A); purtați protecție pentru urechi.
5. Praful provenit din materiale precum vopseaua care conține plumb, unele specii de lemn, minerale și metale poate fi dăunător (contactul cu praful sau inhalarea acestuia poate provoca reacții alergice și/sau boli respiratorii operatorului sau persoanelor aflate în apropiere); purtați o mască de protecție împotriva prafului și lucrați cu un dispozitiv de aspirare a prafului, dacă este posibil.
6. Anumite tipuri de praf sunt clasificate ca fiind cancerigene (cum ar fi praful de stejar și de fag), în special în combinație cu aditivii pentru condiționarea lemnului; purtați o mască de protecție împotriva prafului și lucrați cu un dispozitiv de aspirare a prafului atunci când este posibil.
7. Respectați cerințele naționale referitoare la praf pentru materialele cu care doriți să lucrați.
8. Purtați mănuși de protecție, ochelari de protecție, haine apropiate și protecție pentru păr (pentru părul lung).
9. Asigurați piesa de lucru (o piesă de lucru fixată cu dispozitive de prindere sau într-un menghină este ținută mai bine decât manual).
10. La șlefuirea metalului, se generează scântei; nu utilizați cutia de praf și țineți alte persoane și materiale combustibile departe de zona de lucru.

ÎN TIMPUL UTILIZĂRII

1. Țineți întotdeauna cablul la distanță de părțile mobile ale sculei; îndreptați cablul spre spate, departe de sculă.
2. Nu atingeți discul de șlefuire în mișcare.
3. În caz de defecțiune electrică sau mecanică, opriți imediat scula și deconectați fișa.
4. Dacă cablul este deteriorat sau tăiat în timpul lucrului, nu atingeți cablul, ci deconectați imediat ștecherul.

DUPĂ UTILIZARE

1. Când puneți unealta deoparte, opriți motorul și asigurați-vă că toate piesele în mișcare s-au oprit complet.
2. Dacă, din orice motiv, vechiul ștecher este tăiat de la cablul acestei unealte, acesta trebuie aruncat în siguranță și nu trebuie lăsat nesupravegheat.

Operațiune

Înainte de prima utilizare (Fig. 3)

Scoateți șlefuitorul de finisare și toate accesoriile din ambalaj și verificați dacă toate piesele au fost deteriorate în timpul transportului. Păstrați materialele de ambalare departe de accesul copiilor. Există riscul de sufocare. Fixarea hârtiei de șlefuit Alegeți hârtia de șlefuit în funcție de materialul prelucrat. Folosiți hârtie de șlefuit cu granulație 40-60 pentru șlefuirea aspră și pe suprafețe neuniforme. Folosiți hârtia cu granulație de 120 pentru un finisaj mai neted.

1. Atașați hârtia de șlefuit pe placa de șlefuit și asigurați-vă că găurile de pe hârtia de șlefuit se potrivesc cu deschiderile de pe placa de bază. Numai în acest fel praful de șlefuire poate fi extras prin conductele de aspirație din placa de șlefuire.
2. Apăsăți ferm hârtia de șlefuit pe placa de șlefuit.

Selectarea hârtiei de șlefuit.

Folosiți întotdeauna hârtii abrazive potrivite pentru materialul pe care doriți să îl șlefuiți. Apoi, hârtiile trebuie să aibă granulația corectă. În funcție de mărimea granulației există grade de grosime. Grosimea este specificată printr-un număr pe spatele hârtiilor. Cu cât numărul este mai mare, cu atât mai fină este granulația. Este important să folosiți hârtia potrivită pentru fiecare lucrare. Pentru șlefuirea aspră utilizați granulații de până la 80, pentru lemnul moale, precum laricele, pinul sau molidul, folosiți hârtii cu granulație de la 60 la 150. Pentru lemnul tare și dens, precum fagul sau arțarul, se pot folosi granulații de până la 220.

Asamblarea/demontarea/dezasamblarea/ golirea sacului de praf (Fig. 1)

Folosiți întotdeauna sacul de praf atunci când șlefuiți

1. Așezați sacul de praf pe racordul de evacuare prevăzut. Împingeți cutia până la capăt în carcasă.
2. Pentru a îndepărta cutia de colectare a prafului, trageți cutia spre exterior. De preferință, curățați cutia de colectare a prafului și racordul de evacuare din carcasă după fiecare utilizare. Procedând astfel, cutia de colectare a prafului poate fi introdusă și scoasă cu ușurință.
3. Pentru a goli sacul de colectare a prafului, este suficient să îl scoateți sau, dacă este disponibil, să îl curățați cu aer comprimat.

Introducerea șmirghelului

Oprii aparatul, deconectați-l de la alimentare.

Pornirea și oprirea (Fig. 2)

1. Conectați ștecherul la o priză electrică
2. Porniți funcționarea continuă, apăsați butonul(2)
3. Oprii funcționarea continuă: apăsați butonul(2)

Șlefuire

1. Poziționați întreaga suprafață de șlefuit pe piesa de lucru.
2. Porniți aparatul și ghidați-l pe suprafața care urmează să fie șlefuită, folosind mișcări circulare. Nu aplicați presiune suplimentară asupra mașinii în timpul șlefuirii, greutatea mașinii în sine este de obicei suficientă pentru a asigura rotații optime și un rezultat bun. Nu vă răsturnați! Efectuați mai multe procese de șlefuire folosind hârtie de șlefuit care devine treptat mai fină.

CURĂȚARE ȘI ÎNTREȚINERE

ATENȚIE! Înainte de a efectua orice lucrare de îngrijire sau întreținere, deconectați de la curent. Utilizați o perie uscată pentru a curăța orificiile de aspirare a prafului. Curățați carcasa numai cu o cârpă umedă - nu utilizați solvenți! Apoi uscați bine. Scoateți sacul de colectare a prafului din secțiunea de plastic pentru a-l goli. Goliți cu atenție, încercați să nu creați praf. Nu respirați praful de ferăstrău! Spălați sacul în apă rece cu săpun și lăsați-l să se usuce. Înainte de fiecare utilizare, verificați mașina, cablul și accesoriile pentru a vă asigura că nu sunt deteriorate. Solicitați ca orice reparație necesară să fie efectuată de un specialist. Mașinile care nu mai funcționează corespunzător trebuie eliminate corect, în conformitate cu reglementările locale.

Depanare

Problema	Cauza posibilă	Soluție
Unealta electrică nu funcționează atunci când este pornită	Scurtcircuit în înfășurarea motorului. Deconectare între fișă și priza de alimentare. Nu există tensiune în priza de alimentare. Contact de comutare slăbit. Uzura periei de carbon. Deconectare între peria de carbon și colector.	Înlocuiți statorul/rotorul (tehnician de service). Puneți fișa în priza de curent. Verificați și reparați sursa de alimentare. Înlocuiți placa de circuite electronice (tehnician de service). Înlocuiți peria de carbon (tehnician de service). Verificați conexiunea dintre peria de cărbune și comutator (tehnician de service).
Scânteiere excesivă	Presiune insuficientă în resortul periei de carbon. Uzură excesivă în alimentarea cu energie electrică. Deconectare între peria de carbon și colector. Incendiu inelar cauzat de un scurtcircuit în scurtcircuitul înfășurării rotorului. Incendiu inelar cauzat de un scurtcircuit în segmentul comutatorului.	Înlocuiți peria de carbon (tehnician de service). Reglați tensiunea de alimentare. Înlocuiți peria de carbon (tehnician de service). Verificați sau înlocuiți rotorul (tehnician de service). Verificați sau înlocuiți rotorul (tehnician de service).
Supraîncălzirea mașinii	Supraîncărcarea electromotorului. Ieșire de aer înfundată.	În mod normal, funcționează cu referire la specificații. Eliberați intrarea/ieșirea de aer.
Nici o mișcare la placa de bază în timpul funcționării motorului	Deteriorarea rulmentului. Deteriorarea roții excentrice. Blocaj la lama roții din cauza frecării cu placa de bază.	Înlocuiți rulmentul (tehnician de service). Înlocuiți roata excentrică (tehnician de service). Reparați sau înlocuiți.
Vibrații excesive ale mașinilor	Fractură a arborelui oscilant. Serviți uzura sau deteriorarea roții excentrice.	Înlocuiți roata excentrică (tehnician de service).
Efectul de șlefuire sub standard	Uzură severă a hârtiei abrazive sau selectarea incorectă a hârtiei abrazive.	Înlocuiți hârtia abrazivă.

Protecția mediului și eliminarea deșeurilor

Eliminarea ambalajelor



Eliminați separat ambalajul. Aruncați cartonul și hârtia la deșeurile de hârtie, iar plasticul la centrele de colectare a deșeurilor.

Eliminarea șlefuitorului de palmă

Echipamentele uzate nu trebuie aruncate împreună cu deșeurile menajere! Acest simbol indică faptul că acest produs nu poate fi eliminat împreună cu deșeurile menajere, în conformitate cu directiva (2012/19/CE) privind deșeurile de echipamente electrice și electronice (DEEE). Acest produs trebuie predat la un punct de colectare desemnat. Acest lucru se poate întâmpla, de exemplu, prin returnarea acestuia la achiziționarea unui produs similar sau prin predarea acestuia la un punct de colectare autorizat pentru reciclarea deșeurilor de echipamente electrice și electronice. Din cauza substanțelor potențial periculoase care sunt frecvent conținute în deșeurile de echipamente electronice, manipularea incorectă a deșeurilor de echipamente poate avea un impact negativ asupra mediului și asupra sănătății oamenilor. Prin eliminarea corectă a acestui produs, contribuiți, de asemenea, la o utilizare eficientă a resurselor naturale. Informații privind punctele de colectare a deșeurilor de echipamente pot fi obținute de la autoritatea locală, de la autoritatea publică de eliminare a deșeurilor, de la o instituție autorizată pentru eliminarea deșeurilor de echipamente electrice și electronice sau de la serviciile de colectare a deșeurilor. Eliminați șlefuitorul de palmă în conformitate cu reglementările aplicabile pentru eliminarea deșeurilor din țara dumneavoastră.



OPĆE SIGURNOSNE UPUTE ZA ELEKTRIČNE ALATE



UPOZORENJE! PROČITAJTE UPUTE ZA UPORABU PRIJE POKRETANJA OPREME. Nepoštivanje svih dolje navedenih uputa može dovesti do strujnog udara, požara i /ili ozbiljnih tjelesnih ozljeda. Osobe, koje nisu upoznate s uputama, ne smiju upravljati opremom. Upute za uporabu čuvajte u sigurnom pritvoru. Djeci i mladima nije dopušteno upravljati opremom.



Nosite zaštitne ogulače



Dvostruka izolacija



Nosite zaštitu za uši



Pročitajte upute prije korištenja alata



Uvijek koristite aparat za disanje pri obradi materijala za stvaranje prašine



Nosite zaštitne rukavice

Napomena: Tehničke podatke o proizvodu potražite na stranici 23.

Sigurnost radnog područja

- Održavajte radno područje čistim i dobro osvijetljenim. Pretrpana ili tamna područja pozivaju na nesreće.
- Ne koristite električne alate u eksplozivnim atmosferama, primjerice u prisutnosti zapaljivih tekućina, plinova ili prašine. Električni alati stvaraju iskre koje mogu zapaliti prašinu ili pare.
- Držite djecu i promatrače podalje dok upravljate električnim alatom. Ometanja mogu uzrokovati gubitak kontrole.

Električna sigurnost

- Utikači električnih alata moraju odgovarati utičnici. Nikada ne mijenjajte utikač na bilo koji način. Nemojte koristiti utikače adaptera s uzemljenim (uzemljenim) električnim alatima. Unmodified utikači i odgovarajuće utičnice smanjit će rizik od strujnog udara.
- Izbjegavajte kontakt tijela s uzemljenim ili uzemljenim površinama, kao što su cijevi, radijatori, rasponi i hladnjaci. Postoji povećan rizik od strujnog udara ako ste tijelo je uzemljeno ili uzemljeno.
- Ne izlažite električne alate kiši ili vlažnim uvjetima. Voda koja ulazi u električni alat povećat će rizik od strujnog udara.
- Ne zloupotrebljavajte kabel. Nikada ne koristite kabel za nošenje, povlačenje ili isključivanje električnog alata. Kabel držite podalje od topline, ulja, oštih rubova ili pokretnih dijelova. Oštećeni ili isprepleteni kabeli povećavaju rizik od strujnog udara.
- Kada radite električni alat na otvorenom, koristite produžni kabel prikladan za vanjsku uporabu. Upotreba kabela prikladnog za vanjsku uporabu smanjuje rizik od električnog šok.
- Ako je rad električnog alata na vlažnom mjestu neizbježan, koristite napajanje koje je zaštićeno zaštitnim uređajem za diferencijalnu struju. Korištenje takvog uređaja smanjuje rizik od strujnog udara.

Osobna sigurnost

- Budite oprezni, pazite što radite i koristite zdrav razum kada upravljate električnim alatom. Ne koristite električni alat dok ste umorni ili pod utjecajem droga, alkohola ili med-icationa. Trenutak nepažnje tijekom rada s električnim alatima može rezultirati ozbiljnim tjelesnim ozljedama.
- Koristite osobnu zaštitnu opremu. Uvijek nosite zaštitu za oči. Zaštitna oprema kao što su maska za prašinu, sigurnosne cipele bez klizanja, tvrdi šešir ili zaštita od sluha koja se koristi za odgovarajuće uvjete smanjit će tjelesne ozljede.
- Sprječite nenamjerno pokretanje. Provjerite je li prekidač u isključenom položaju prije spajanja na izvor napajanja i/ili bateriju, preuzimanje ili nošenje alata. Nošenje električnih alata prstom na prekidaču ili energizirajući električni alati s uključenim prekidačem poziva na nezgode.
- Uklonite bilo koju tipku za podešavanje ili ključ prije uključivanja električnog alata. Ključ ili ključ koji je ostao pričvršćen na rotirajući dio električnog alata može rezultirati osobnim ozljedama.
- Nemojte pretjerivati. Držite pravilno uporište i ravnotežu u svakom trenutku. To omogućuje bolju kontrolu električnog alata u neočekivanim situacijama.
- Pravilno se obucite. Ne nosite široku odjeću ili nakit. Držite kosu i odjeću podalje od pokretnih dijelova. Široka odjeća, nakit ili duga kosa mogu se uhvatiti u pokretnim dijelovima.
- Ako su uređaji predviđeni za spajanje uređaja za usisavanje i prikupljanje prašine, osigurajte da su spojeni i pravilno korišteni. Upotreba sakupljanja prašine može smanjiti opasnosti povezane s prašinom.
- Ne dopustite da vam poznavanje stečeno čestom uporabom alata omogući da postanete samozadovoljni i zanemarite sigurnosna načela alata. Nepažljivo djelovanje može uzrokovati teške ozljede u djeliću sekunde.

Upotreba i njega električnih alata

- Ne forsirajte električni alat. Koristite ispravan alat za napajanje za svoju aplikaciju. Ispravan električni alat obaviti će posao bolje i sigurnije brzinom kojom će je dizajniran.
- Ne koristite električni alat ako ga prekidač ne uključuje i ne isključuje. Svaki električni alat kojim se ne može upravljati prekidačem opasan je i mora biti popravljen.
- Isključite utikač iz izvora napajanja i/ili uklonite bateriju, ako se odvoji, iz električnog alata prije bilo kakvih podešavanja, mijenjajući pribor ili spremanje električnih alata. Takve preventivne sigurnosne mjere smanjuju rizik od slučajnog pokretanja električnog alata.
- Besposadne električne alate čuvajte izvan dohvata djece i ne dopustite osobama koje nisu upoznate s električnim alatom ili ovim uputama da upravljaju električnim alatom. Električni alati opasni su u rukama neobučениh korisnika.
- Održavajte električne alate i pribor. Provjerite neusklađenost ili vezanje pokretnih dijelova, starost dijelova prijeloma i bilo koje drugo stanje koje može utjecati na rad električnog alata. Ako je oštećen, popravite električni alat prije uporabe. Mnoge nesreće uzrokovane su loše održanim električnim alatima.
- Držite alate za rezanje oštirim i čistim. Manje je vjerojatno da će se pravilno održavani alati za rezanje s oštirim reznim rubovima vezati i lakše ih je kontrolirati.
- Koristite električni alat, pribor i dijelove alata itd. u skladu s ovim uputama, uzimajući u obzir radne uvjete i rad koji treba biti Izvodi. Upotreba električnog alata za operacije različite od predviđenih mogla bi dovesti do opasne situacije.
- Držite ručke i površine za hvatanje suhim, čistim i bez ulja i masti. Skliske ručke i površine za hvatanje ne omogućuju sigurno rukovanje i upravljanje alata u neočekivanim situacijama. Kada koristite alat, ne nosite rukavice za rad od tkanine koje se mogu zaplesti. Zapetljavanje platnenih radnih rukavica u pokretni dijelovi mogu rezultirati tjelesnim ozljedama.
- Držite ručke i površine za hvatanje suhim, čistim i bez ulja i masti. Skliske ručke i površine za hvatanje ne omogućuju sigurno rukovanje i upravljanje alata u neočekivanim situacijama.

Usluga

- Neka vaš električni alat servisira kvalificirana osoba za popravak koristeći samo identične zamjenske dijelove. To će osigurati održavanje sigurnosti električnog alata.
- Slijedite upute za podmazivanje i mijenjanje pribora.
- Držite ručke suhima, čistima i bez ulja i masti.

Posebni sigurnosni propisi

OPĆENITO

1. Ovaj alat ne smiju koristiti osobe mlađe od 16 godina.
2. Ovaj alat nije prikladan za mokro brušenje.
3. Nikada ne koristite alat kada je kabel oštećen; neka ga zamijeni kvalificirana osoba.
4. Ne radite materijale koji sadrže azbest (azbest se smatra kancerogenim).
5. Uvijek isključite utikač iz izvora napajanja prije bilo kakvog podešavanja ili promjene dodatne opreme.

PRIBOR

1. Besprijeekorno funkcioniranje alata može se osigurati samo kada se koristi originalni pribor.
2. Nemojte nastaviti koristiti istrošene, poderane ili jako začepljene brusne diskove.

PRIJE UPORABE

1. Uvijek provjerite je li napon napajanja isti kao i napon naveden na natpisnoj pločici alata (mogu se spojiti i alati s ocjenom 230V ili 240V do isporuke od 220 V).
2. Izbjegavajte oštećenja koja mogu nastati vijcima, čavlima i drugim elementima u vašem izratku; uklonite ih prije nego što počnete raditi.
3. Koristite potpuno nekontrolirane i sigurne produžne kabele kapaciteta 16 Ampera (UK 13 Ampera).
4. Razina buke pri radu može prelaziti 85 dB(A); nositi zaštitu za uši.
5. Prašina iz materijala kao što je boja koja sadrži olovo, neke vrste drva, minerali i metal mogu biti štetni (kontakt s prašinom ili udisanje prašine može uzrokovati alergijske reakcije i/ili bolesti dišnog sustava na operatera ili promatrače); nosite masku za prašinu i radite s uređajem za usisavanje prašine kada se može povezati.
6. Određene vrste prašine klasificiraju se kao kancerogene (kao što su hrast i bukova prašina), posebno zajedno s aditivima za kondicioniranje drva; nositi prašinu maskirajte i radite s uređajem za usisavanje prašine kada se može spojiti.
7. Slijedite nacionalne zahtjeve povezane s prašinom za materijale s kojima želite raditi.
8. Nosite zaštitne rukavice, zaštitne naočale, odjeću usko pričvršćenu i zaštitu za kosu (za dugu kosu).
9. Osigurajte radni komad (radni komad stegnut stezanjem ili u škripcu drži se sigurnije nego ručno).
10. Pri brušenju metala stvaraju se iskre; ne koristite kutiju za prašinu i držite druge osobe i zapaljivi materijal iz radnog područja.

TIJEKOM UPORABE

1. Kabel uvijek držite podalje od pomicanja dijelova alata; usmjerite kabel straga, dalje od alata.
2. Ne dirajte pokretni brusni disk.
3. U slučaju električnog ili mehaničkog kvara, odmah isključite alat i isključite utikač.
4. Ako je kabel oštećen ili prerezan tijekom rada, ne dodirujte kabel, već odmah isključite utikačG USE

NAKON UPOTREBE

1. Kada odložite alat, isključite motor i osigurajte da su svi pokretni dijelovi potpuno zaustavljeni.
2. Ako je iz bilo kojeg razloga stari utikač odrezan kabel ovog alata, mora se sigurno zbrinuti i ne ostaviti bez nadzora.

OPERACIJA

Prije prve uporabe (sl.3)

Izvadite završnu brusilicu i sve pristupne linije iz ambalaže i provjerite ima li u svim dijelovima oštećenja u tranzitu. Ambalažni materijal držite izvan dohvata djece. Postoji rizik od gušenja. Pričvršćivanje brusnog papira Odaberite brusni papir prema materijalu koji se obrađuje. Koristite brusni papir s 40 resp, 60 zrna za grubo brušenje i na neravnim površinama. Koristite zrno nalaznika od 120 za glatku završnu obradu.

1. Pričvrstite brusni papir na brusnu ploču i provjerite odgovaraju li rupe na brusnom papiru s otvorima na osnovnoj ploči. Samo na taj način prašina za brušenje može se izvući kroz usisne kanale u brusnoj ploči.
2. Čvrsto pritisnite brusni papir na brusnu ploču.

Odabir brusnog papira.

Uvijek koristite abrazivne papire prikladne za materijal koji želite brusiti. Tada papiri moraju imati ispravnu veličinu zrna. Ovisno o veličini zrna postoje stupnjevi grubosti. Grubost je određena brojem na poleđini papira. Što je veći broj, to je zrno finije. Važno je koristiti pravo papir za svaki posao. Za grubo brušenje koristite veličine zrna do 80, za meko drvo kao ariš, bor ili smreku koristite papire od 60 grita do 150 grita. Za gusto tvrdo drvo kao bukva ili javor mogu se koristiti veličine zrna do 220.

Sastavljanje/rastavljanje/pražnjenje vrećice za prašinu (slika 1)

Uvijek koristite vrećicu za prašinu prilikom brušenja

1. Stavite vrećicu za prašinu na navedeni ispušni priključak. Gurnite kutiju do kraja u kućište.
2. Da biste uklonili kutiju za prikupljanje prašine, samo povucite kutiju prema van. Po mogućnosti očistite kutiju za prikupljanje prašine i priključak za ekshause u kućištu nakon svaka uporaba. Na taj se način kutija za prikupljanje prašine može lako umetnuti i ukloniti.
3. Za pražnjenje vrećice za prikupljanje prašine samo dodirnite ili, ako je dostupna, očistite komprimiranim zrakom.

Umetanje brusnog papira

Isključite stroj, isključite napajanje.

Uključivanje i isključivanje (slika 2)

1. Spojite utikač na utičnicu
2. Uključite kontinuirani rad, pritisnite tipku (2)
3. Isključite kontinuirani rad: pritisnite tipku (2)

Brušenje

1. Postavite cijelu površinu brušenja na komad rada
2. Uključite stroj i vodite ga preko površine koja se brusi kružnim pokretima. Nemojte vršiti dodatni pritisak na stroj prilikom brušenja, težina samog stroja obično je dovoljna da osigura optimalne okretaje i dobar rezultat. Nemojte davati napojnice! Dovršite nekoliko procesa brušenja pomoću pijeska koji postupno dobiva nalaznik.

ČIŠĆENJE I ODRŽAVANJE

OPREZ! Prije izvođenja bilo kakvih poslova njege ili održavanja, isključite se iz napajanja. Suhom četkom očistite otvore za usisavanje prašine. Očistite kućište samo vlažnom krpom - ne koristite otapala! Zatim se dobro osušite. Izvadite vrećicu za prikupljanje prašine iz plastičnog dijela da se isprazni. Pažljivo ispraznite, pokušajte ne stvarati prašinu. Ne udišite piljenu prašinu! Isperite vrećicu u hladnoj sapunici i ostavite sušenje. Prije svake uporabe provjerite stroj, kabel i pribor kako biste bili sigurni da nisu oštećeni. Neka sve potrebne popravke dovrši stručnjak. Strojve koji više ne rade ispravno treba odložiti u skladu s lokalnim propisima.

Rješavanje problema

Problem	Mogući uzrok	Lijek
Izvan funkcije pri uključivanju - uključeno	Kratki krug u motornom namotu Prekid veze između utikača i utičnice Nema napona u dovodnoj utičnici Labav kontakt za prebacivanje Trošenje ugljične četke Odvajanje između ugljične četke i komutatora	Zamjena statora/rotora serviserom Stavite utikač u utičnicu Provjera i popravak napajanja Zamijenite switchboard serviserom Zamijenite ugljičnu četku serviserom Provjerite vezu između ugljične četke i komutatora pomoću servisera
Prekomjerno pjenušavo	Podtlak u opruzi ugljične četke Prekomjerno trošenje opskrbe snage Isključivanje ugljične četke i komutatora Prstenasta vatra uzrokovana kratkim spojem u kratkom spoju namota rotora Prstenasta vatra uzrokovana kratkim spojem u segmentu komutatora	Raplance ugljična četka (serviser) Regulirajte napon napajanja Zamijenite ugljičnu četku (serviser) Provjerite ili zamijenite rotor (serviser) Provjerite ili zamijenite rotor (serviser)
Strojno pregrijavanje	Preopterećenje elektromotora Začepljeni izlaz zraka	Obično radite s obzirom na specifikaciju Čišćenje usisa/izlaza zraka
Nema pokreta na osnovnoj ploči tijekom rada motora	Oštećenje ležaja Ekscentrična oštećenja kotača Začepljenje lopatice kotača zbog trljanja o osnovnu ploču	Zamijeni ležaj (serviser) Zamijeni ekscentrični kotač (serviser) Popravak ili zamjena
Prekomjerne vibracije strojeva	Prijelom ljučjačke osovine Poslužite trošenje ili oštećenje u ekscentričnom kotaču	Zamijeni ekscentrični kotač (serviser)
Nekvalitetni efekt brušenja	Teško trošenje u abrazivnom papiru ili pogrešan odabir abrazivnog papira	Zamijenite abrazivni papir

Zaštita okoliša i zbrinjavanje

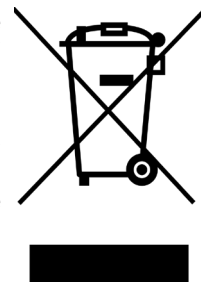
Zbrinjavanje ambalaže



Ambalažu odložite zasebno. Odložite karton i papir u otpadni papir, plastiku u postrojenjima za prikupljanje otpada.

Odlaganje palmine brusilice

Rabljena oprema ne smije se odlagati s kućnim otpadom! Ovaj simbol označava da se taj proizvod ne smije odlagati zajedno s domaćim otpadom u skladu s direktivom (2012/19/EZ) koja se odnosi na otpadne električne i elektroničke uređaje (OEEU). Ovaj proizvod treba predati na određenom sabirnom mjestu. To se može dogoditi, na primjer, vraćanjem kada se sličan proizvod kupi ili predajom na ovlaštenom mjestu za prikupljanje za recikliranje otpadne električne i elektroničke opreme. Zbog potencijalno opasnih tvari koje se često nalaze u elektroničkoj opremi za otpad, nepravilno rukovanje otpadnom opremom može negativno utjecati na okoliš i zdravlje ljudi. Pravilnim odlaganjem ovog proizvoda doprinosite i učinkovitom korištenju prirodnih resursa. Informacije o prikupljanju mjesta za otpadnu opremu mogu se dobiti od vaše lokalne samouprave, javne uprave za zbrinjavanje otpada, ovlaštene ustanove za zbrinjavanje otpadne električne i elektroničke opreme ili usluga prikupljanja otpada. Odložite palminu brusilicu u skladu s važećim propisima o odlaganju za vašu zemlju.



EL

Τα ηλεκτρικά εργαλεία έχουν κατασκευαστεί με αυστηρά πρότυπα που έχει θέσει η εταιρεία και συνάδουν με τα ευρωπαϊκά πρότυπα ποιότητας. Για τα ηλεκτρικά εργαλεία της εταιρείας μας παρέχεται περίοδος εγγύησης 24 μηνών για ερασιτεχνική χρήση, 12 μηνών για επαγγελματική χρήση και 24 μηνών για τις μπαταρίες και τους φορτιστές. Η ισχύς της εγγύησης ξεκινά από την ημερομηνία αγοράς του προϊόντος. Αποδεικτικό του δικαιώματος της εγγύησης αποτελεί το παραστατικό αγοράς του εργαλείου (απόδειξη λιανικής ή τιμολόγιο). Σε καμία περίπτωση η εταιρεία δεν καλύπτει τη σχετική δαπάνη ανταλλακτικών και εργασίας εάν και εφόσον δε συνοδεύεται από αντίγραφο του παραστατικού αγοράς. Σε περίπτωση που η επισκευή πρέπει να γίνει στο service μας η δαπάνη μεταφοράς (από και προς) βαρύνει εξ' ολοκλήρου τον αποστολέα. Τα εργαλεία αποστέλλονται για την επισκευή τους στην εταιρεία ή σε εξουσιοδοτημένο συνεργείο με τον ενδεδειγμένο τρόπο και μέσο μεταφοράς.

ΕΞΑΙΡΕΣΕΙΣ ΚΑΙ ΠΕΡΙΟΡΙΣΜΟΙ ΤΗΣ ΕΓΓΥΗΣΗΣ:

- 1) Ανταλλακτικά που φθείρονται φυσιολογικά από τη χρήση τους (καρβουνάκια, καλώδιο, διακόπτες, φορτιστές ,τοσκ κ.λ.π).
- 2) Εργαλεία που έχουν υποστεί ζημιές από τη μη συμμόρφωση με τις οδηγίες του κατασκευαστή.
- 3) Εργαλεία με ελλιπή συντήρηση.
- 4) Χρήση μη ενδεδειγμένων λιπαντικών ή εξαρτημάτων.
- 5) Εργαλεία που έχουν δοθεί χωρίς επιβάρυνση.
- 6) Βλάβη που οφείλεται σε ηλεκτρική σύνδεση σε τάση διαφορετική από την αναγραφόμενη στην πινακίδα συσκευής.
- 7) Σύνδεση σε μη γειωμένο ρευματοδότη.
- 8) Μεταβολή της τάσης του ρεύματος.
- 9) Βλάβη που προκύπτει από τη χρήση αλμυρού νερού (π.χ πλυστικά, αντλίες).
- 10) Βλάβη ή κακή λειτουργία που έχει προκύψει από πλημμελή καθαρισμό του εργαλείου.
- 11) Επαφή του εργαλείου με χημικά , ή βλάβη από υγρασία, διάβρωση.
- 12) Εργαλεία που έχουν υποστεί τροποποιήσεις – αλλαγές ή έχουν ανοιχτεί από μη εξουσιοδοτημένο συνεργείο.
- 13) Εργαλεία που χρησιμοποιούνται για ενοίκιαση.

Η εγγύηση καλύπτει αποκλειστικά τη δωρεάν αντικατάσταση του εξαρτήματος που έχει κατασκευαστικό ελάττωμα ή αστοχία υλικού. Σε περίπτωση έλλειψης ανταλλακτικού η εταιρεία διατηρεί το δικαίωμα αντικατάστασης του εργαλείου με άλλο αντίστοιχο μοντέλο. Μετά τη διεκπεραίωση εγγύησης δεν επιμηκύνεται ούτε ανανεώνεται ο χρόνος εγγύησης του εργαλείου. Αντικατάσταση ανταλλακτικού με χρέωση επισκευής, καλύπτεται από 1 χρόνο εγγύησης καλής λειτουργίας, με προϋπόθεση την τήρηση των όρων εγγύησης. Τα ανταλλακτικά ή τα εργαλεία τα οποία αντικαθίστανται παραμένουν στην κατοχή της εταιρείας μας. Άλλες απαιτήσεις, εκτός από αυτές που αναφέρονται σε αυτό το έντυπο εγγύησης επισκευής ή βλαβών ηλεκτρικών εργαλείων, δεν ισχύουν. Για την εγγύηση αυτή ισχύει το ελληνικό Δίκαιο.

EN

The power tools have been manufactured according to strict standards, set by our company, which are aligned with the respective European quality standards. The power tools of our company are provided with a warranty period of 24 months for non-professional use, 12 months for professional use and 24 months for chargers and batteries. The warranty is valid from the date of purchase of the product. Proof of the warranty right is the purchase document of the tool (retail receipt or invoice). Under no circumstances shall the company cover the relevant cost of spare parts and respective required working hours unless a copy of the purchase document is presented. In case the repair has to be done by our service department the cost of transportation (to and from) is entirely borne by the sender (client). The tools must be sent for repair to the company or to an authorized workshop in the appropriate way and means of transport.

WARRANTY EXEMPTIONS AND RESTRICTIONS:

- 1) Spare parts that wear out naturally as a consequence of being used (brushes, cables, switches, chargers, chokes etc.).
- 2) Tools damaged as a result of non-compliance with the instructions of the manufacturer.
- 3) Tools poorly maintained.
- 4) Use of improper lubricants or accessories.
- 5) Tools given to third entities free of charge.
- 6) Damage due to an electrical connection at a voltage other than that indicated on the appliance plate.
- 7) Connection to a non-earthed power supply.
- 8) Change in current voltage.
- 9) Damage resulting from the use of salty water (e.g., washing machines, pumps).
- 10) Damage or malfunction resulting from improper cleaning procedure of the tool.
- 11) Contact of the tool with chemicals, or damage as a result of moisture or corrosion.
- 12) Tools that have been modified or opened by unauthorized personnel.
- 13) Tools used for rent.

The warranty covers only the free of charge replacement of the component that presents a manufacturing defect or material failure. In case of lack of a specific spare part the company reserves the right to replace the tool with another corresponding model. After all warranty procedures have been concluded, the warranty period of the tool shall not be extended or renewed. Replacement of a spare part with repair charge is covered by a 1 year warranty of good operation, subject to compliance with the warranty terms. The spare parts or tools that are replaced remain in the possession of our company. Requirements, other than those mentioned in this warranty form, regarding power tools repair or damage thereof, do not apply. Greek law and relative regulations apply to this warranty.

FR

Les outils électriques sont fabriqués selon des normes strictes, établies par notre société et se sont alignées sur les normes de qualité européennes respectives. Les outils électriques de notre société sont bénéficiés d'une garantie de 24 mois pour une utilisation non professionnelle, 12 mois pour une utilisation professionnelle et de 24 mois pour les batteries et les chargeurs. La garantie est valable à partir de la date d'achat du produit. La preuve du droit à la garantie est le document d'achat de l'outil (ticket de caisse ou facture). En aucun cas, l'entreprise ne couvrira le coût des pièces de rechange et des heures de travail nécessaires si une copie du document d'achat n'est pas présentée. Si la réparation doit être effectuée par notre service après-vente, les frais de transport (aller- retour) sont entièrement à la charge de l'expéditeur (client). Les outils doivent être envoyés pour réparation à l'entreprise ou à un atelier agréé de la manière et avec le moyen de transport appropriée.

EXEMPTIONS ET RESTRICTIONS DE GARANTIE:

- 1) Les pièces de rechange qui s'usent naturellement suite à leur utilisation (balaise, câbles, interrupteurs, chargeurs, etc.).
- 2) Les outils endommagés à la suite du non-respect des instructions du fabricant.
- 3) Outils mal entretenus.
- 4) Utilisation de lubrifiants ou d'accessoires inappropriés.
- 5) Outils donnés à des tiers à titre gratuit.
- 6) Dommages dus à un mauvais branchement électrique ou à une tension différente de celle indiquée sur la plaque de l'appareil.
- 7) Connexion à une alimentation électrique non reliée à la terre.
- 8) Fluctuation de la tension inacceptable.
- 9) Dommages résultant de l'utilisation d'eau salée (par exemple, machines à laver, pompes).
- 10) Dommages ou dysfonctionnement résultant d'une procédure de nettoyage inadéquate de l'appareil.
- 11) Contact de l'outil avec des produits chimiques, ou dommages résultant de l'humidité ou de la corrosion.
- 12) Les outils qui ont été modifiés ou ouverts par du personnel non autorisé.
- 13) Les outils utilisés à location.

La garantie couvre uniquement le remplacement gratuit du composant qui présente un défaut de fabrication ou une défaillance matérielle. En cas d'absence d'une pièce de rechange spécifique, l'entreprise se réserve le droit de remplacer l'outil par un autre modèle correspondant. Après la conclusion de toutes les procédures de garantie, la période de garantie de l'outil ne sera pas prolongée ou renouvelée. Le remplacement d'une pièce de rechange, ainsi que les frais de réparation, sont couverts par une garantie de bon fonctionnement d'un an, sous réserve du respect des conditions de garantie. Les pièces de rechange ou les outils remplacés restent en possession de notre société. Les exigences, autres que celles mentionnées dans ce formulaire de garantie, concernant la réparation des outils électriques ou leur endommagement, ne sont pas applicables. La loi grecque et ses règlements s'appliquent à cette garantie.

IT

Gli elettrodomestici sono stati fabbricati secondo gli standard rigorosi, stabiliti dalla nostra azienda, che sono allineati con i rispettivi standard di qualità europei. Gli elettrodomestici della nostra azienda sono forniti con un periodo di garanzia di 24 mesi per uso non professionale, 12 mesi per uso professionale e 24 mesi per le batterie e i caricabatterie. La garanzia è valida dalla data di acquisto del prodotto. La prova del diritto di garanzia è il documento di acquisto dell'utensile (scontrino o fattura). In nessun caso l'azienda coprirà il relativo costo dei pezzi di ricambio e delle rispettive ore di lavoro necessarie se non viene presentata una copia del documento di acquisto. Nel caso in cui la riparazione debba essere effettuata dal nostro servizio di assistenza, il costo del trasporto (da e per) è interamente a carico del mittente (cliente). Gli utensili devono essere inviati per la riparazione all'azienda o ad un'officina autorizzata nel modo e nel mezzo di trasporto appropriato.

ECCEZIONI E LIMITAZIONI ALLA GARANZIA:

- 1) Pezzi di ricambio che si deteriorano naturalmente con l'uso (pezzi di consumo).
- 2) Utensili danneggiati dal mancato rispetto delle istruzioni del produttore.
- 3) Strumenti con manutenzione insufficiente.
- 4) Uso di lubrificanti o parti inappropriate.
- 5) Strumenti dati gratuitamente.
- 6) Guasto dovuto a un collegamento dell'aria compressa a una pressione diversa da quella indicata sulla targhetta dei dati tecnici.
- 7) Danni derivanti dall'uso di aria compressa impura e non filtrata.
- 8) Danni o malfunzionamenti derivanti da una pulizia inadeguata dell'utensile.
- 9) Contatto dell'utensile con prodotti chimici, o danni da umidità, corrosione.
- 10) Strumenti che hanno subito modifiche - cambiamenti o sono stati aperti da un'officina non autorizzata.
- 11) Strumenti utilizzati per il noleggio.
- 12) Strumenti che sono stati modificati o aperti da personale non autorizzato.
- 13) Strumenti utilizzati per il noleggio.

La garanzia copre solo la sostituzione gratuita del componente che presenta un difetto di fabbricazione o di materiale. In caso di mancanza di un pezzo di ricambio specifico, l'azienda si riserva il diritto di sostituire l'utensile con un altro modello corrispondente. Una volta concluse tutte le procedure di garanzia, il periodo di garanzia dell'utensile non potrà essere esteso o rinnovato. La sostituzione di un pezzo di ricambio, insieme al costo della riparazione, è coperta da una garanzia di buon funzionamento di 1 anno, a condizione che vengano rispettati i termini della garanzia. I pezzi di ricambio o gli utensili che vengono sostituiti rimangono in possesso della nostra azienda. I requisiti, diversi da quelli menzionati in questo modulo di garanzia, riguardanti la riparazione di utensili elettrici o il loro danneggiamento, non si applicano. La legge greca e i relativi regolamenti si applicano a questa garanzia.

AL

Mjetet e energjisë janë prodhuar sipas standardeve strikte, të vendosura nga kompania jonë, të cilat janë në përputhje me standardet respekti ve evropiane të cilësisë. Mjetet e energjisë të kompanisë sonë janë siguruar me një periudhë garancie prej 24 muajsh për përdorim jo profesional, 12 muaj për përdorim profesional dhe 24 muaj për bateritë dhe karikuesit. Garancia është e vlefshme nga data e blerjes së produktit t. Prova e së drejtës së garancisë është dokumenti i blerjes së mjeti t (faturë ose faturë me pakicë). Në asnjë rrethanë ndërmarrja nuk mbulon koston përkatëse të pjesëve të këmbimit dhe orarin përkatës të kërkuar të punës, përveç kur është paraqitur një kopje e dokumenti t të blerjes. Në rast se riparimi duhet të bëhet nga departamenti ynë i shërbimit kostoja e transporti t (për dhe nga) është tërësisht e mbajtur nga dërguesi (klienti). Mjetet duhet të dërgohen për riparim në ndërmarrje ose në një pun-ishte të autorizuar në mënyrën dhe mjetet e duhura të transporti t.

PËRJASHTIMET DHE KUFIZIMET E GARANCISË:

- 1) Pjesët rezervë që përdoren në mënyrë natyrale si pasojë e përdorur (furçat, kabllo, ndërruesit, karikuesit, mbytjet etj.).
- 2) Veglat e dëmtuara si rezultat i mosrespektimit të udhëzimeve të prodhuesit.
- 3) Mjetet e mbajtura keq.
- 4) Përdorimi i lubrifikantëve ose aksesoreve të papërshtatshëm.
- 5) Mjetet që u jepen enteve të treta pa pagesë.
- 6) Dëmtimi për shkak të një lidhje elektrike në një tension tjetër nga ai i treguar në pllakën e pajisjes.
- 7) Lidhja me furnizimin me energji jo tokësore.
- 8) Ndryshimi i tensionit aktual.
- 9) Dëmtimet që vijnë si pasojë e përdorimit të ujit të kripur (p.sh., lavatrice, pompa).
- 10) Dëmtimi ose mosfunksionimi që rezultojn nga procedura e papërshtatshme e pastrimit të mjetit.
- 11) Kontakti i mjetit me kimikate, ose dëmtimi si pasojë e lagështisë ose korrozionit.
- 12) Mjete që janë modifikuar ose hapur nga personel i paautorizuar.
- 13) Veglat e përdorura për qira.

Garancia mbulon vetëm zëvendësimin pa pagesë të komponentit që paraqet një defekt prodhues ose dështim material. Në rast të mungesës së një pjese rezervë specifike kompania rezervon të drejtën për të zëvendësuar mjetin me një model tjetër përkatës. Pasi të jenë përfunduar të gjitha procedurat e garancisë, periudha e garancisë së mjetit nuk do të zgjatet ose të rinovohet. Zëvendësimi i një pjese rezervë, së bashku me ngarkesën e riparimit, mbulohet nga një garanci veprimi e mirë 1 vit, subjekt i përputhjes me kushtet e garancisë. Pjesët e këmbimit ose mjetet që zëvendësohen mbeten në zotërim të kompanisë sonë. Kërkesat, përveç atyre të përmendura në këtë formë garancie, në lidhje me riparimin ose dëmtimin e mjeteve të energjisë elektrike, nuk zbatohen. Ligji grek dhe rregullat relative zbatohen për këtë garancia.

SRB

Električni alati su proizvedeni prema strogim standardima koje je postavila naša kompanija a koji su usklađeni sa odgovarajućim evropskim standardima kvaliteta. Električni alati naše kompanije imaju garantni rok od 24 meseca za neprofesionalnu upotrebu, 12 meseci za profesionalnu upotrebu i 24 meseci za baterije i punjače. Garancija važi od dana kupovine proizvoda. Dokaz za pravo na garanciju je dokument o kupovini električnog alata (maloprodajni račun ili faktura). Ni pod kojim okolnosti ma kompanija neć e pokriti relevantne troškove rezervnih delova i potrebno odgovarajuć e i radno vreme ako se ne predoči kopija dokumenta o kupovini. U slučaju da popravku treba da uradi naš servis, troškove transporta (do i od) u potpunosti snosi pošiljalac (klijent). Električni alati za popravku se šalju u firmu gde su kupljeni ili u ovlašć eni servis i to tako da budu prikladno upakovani za transport.

IZUZECI I OGRANIČENJA GARANCIJE:

- 1) Rezervni delovi koji se prirodno troše kao posledica korišćenja (četkice, kablovi, prekidači, punjači, prigušnice itd).
- 2) Alati oštećeni kao posledica nepoštovanja uputstva proizvođača.
- 3) Alati su loše održavani.
- 4) Upotreba neodgovarajućih maziva ili pribora.
- 5) Alati su dati trećim licima besplatno.
- 6) Oštećenje usled električnog priključka na napon koji nije naznačen na pločici uređaja.
- 7) Povezivanje na neuzemljeno napajanje.
- 8) Promena napona struje.
- 9) Oštećenja nastala upotrebom slane vode (npr. mašine za pranje veša, pumpe).
- 10) Oštećenje ili kvar nastao kao posledica nepravilne procedure čišćenja alata.
- 11) Kontakt alata sa hemikalijama ili oštećenje usled vlage ili korozije.
- 12) Alati koje je modifikovalo ili otvorilo neovlašć eno osoblje.
- 13) Alati koji se koriste za iznajmljivanje.

Garancija pokriva samo besplatnu zamenu komponente koja ima fabričku grešku ili materijalne nedostatke. U slučaju nedostatka rezervnog dela, kompanija zadržava pravo zamene električnog alata drugim odgovarajućim modelom. Nakon isteka garantnog roka, garantni rok električnog alata se ne produžava niti obnavlja. Rezervni delovi ili Električni alati koji su zamenjeni ostaju u posedu naše kompanije. Zamena rezervnog dela, zajedno sa naplatom popravke, pokrivena je garancijom za 1 godinu dobrog rada, koja podleže poštovanju uslova garancije. Zahtevi, osim onih navedenih u ovom obrascu garancije, u vezi sa popravkom električnog alata ili njegovim oštećenjem ne važe. Na ovu garanciju se primenjuju grčki zakoni i odgovarajući propisi.

EN WARRANTY

This power tool is a quality product. It was designed in compliance with current technical standards and made carefully using normal, good quality materials. The warranty period is 24 months for non-professional use, 12 months for professional use and commences on the date of purchase, which can be verified by the receipt, invoice or delivery note. During this warranty period all functional errors, which, despite the careful treatment described in our operating manual, are verifiably due to material flaws, will be rectified by our after-sales service staff. The warranty takes the form that defective parts will be repaired or replaced with perfect parts free of charge at our discretion. Replaced parts will become our property. Repair work or the replacement of individual parts will not extend the warranty period nor will it result in a new warranty period being commenced for the appliance. No separate warranty period will commence for spare parts that may be used. We cannot offer a warranty for damage and defects on appliances or their parts caused by the use of excessive force, improper treatment and servicing. This also applies for failures to comply with the operating manual and the installation or spare and accessory parts that are not included in our range of products. In the event of interference with or modifications to the appliance by unauthorized persons, the warranty will be rendered void. Damages that are attributable to improper handling, over loading, or natural wear and tear are excluded from the guarantee. Damages caused by the manufacturer or by a material defect will be corrected at no charge by repair or by providing spare parts. The prerequisite is that the equipment is handed over assembled, and complete with the proof of sale and guarantee. For a guarantee claim, only use the original packaging. That way, we can guarantee quick and smooth guarantee processing. Please send us the appliances post-paid or request a Freeway sticker. Unfortunately we will be unable to accept appliances that are not postpaid. The warranty does not cover parts that are subject to natural wear and tear. If you wish to make a warranty claim, report faults or order spare parts or accessories, please contact the after-sales center: Subject to change without prior notice.

DE GARANTIE

Dieses Elektrowerkzeug ist ein Qualitätsprodukt. Es wurde gemäß den aktuellen technischen Standards entworfen und sorgfältig mit normalen, hochwertigen Materialien hergestellt. Die Garantiezeit beträgt 24 Monate bei nicht-professioneller Nutzung und 12 Monate bei professioneller Nutzung und beginnt mit dem Kaufdatum, was anhand von Quittung, Rechnung oder Lieferschein überprüft werden kann. Während dieser Garantiezeit werden alle Funktionsfehler, die trotz der in unserer Bedienungsanleitung beschriebenen sorgfältigen Behandlung nachweislich auf Materialfehler zurückzuführen sind, von unseren Kundendienstmitarbeitern behoben. Die Garantie besteht in der Form, dass defekte Teile nach unserem Ermessen kostenlos repariert oder durch einwandfreie Teile ersetzt werden. Ersetzte Teile werden unser Eigentum. Reparaturarbeiten oder der Austausch einzelner Teile verlängern die Garantiezeit nicht und führen nicht zu einer neuen Garantiezeit für das Gerät. Für eventuell verbrauchte Ersatzteile beginnt keine gesonderte Gewährleistungsfrist. Wir können keine Garantie für Schäden und Mängel an Geräten oder deren Teilen geben, die durch übermäßige Gewalteinwirkung, unsachgemäße Behandlung und Wartung verursacht wurden. Dies gilt auch für die Nichtbeachtung der Bedienungsanleitung und der Montage- oder Ersatz- und Zubehörteile, die nicht in unserem Sortiment enthalten sind. Bei Eingriffen in die Änderung durch unbefugte Personen am Gerät erlischt die Garantie. Schäden, die auf unsachgemäße Behandlung, Überlastung oder natürliche Abnutzung zurückzuführen sind, sind von der Garantie ausgeschlossen. Schäden, die vom Hersteller oder durch einen Materialfehler verursacht werden, werden durch Reparatur oder Ersatzteillieferung kostenlos behoben. Voraussetzung ist, dass das Gerät zusammen mit dem Verkaufsbeleg und der Garantie zusammengebaut übergeben wird. Verwenden Sie für einen Garantieanspruch nur die Originalverpackung. Auf diese Weise können wir eine schnelle und reibungslose Garantieabwicklung garantieren. Bitte schicken Sie uns die Geräte im Nachhinein oder fordern Sie einen Freeway-Aufkleber an. Geräte, die nicht nachbezahlt werden, können wir leider nicht akzeptieren. Die Garantie erstreckt sich nicht auf Teile, die einem natürlichen Verschleiß unterliegen. Wenn Sie einen Garantieanspruch geltend machen, Fehler melden oder Ersatzteile oder Zubehör bestellen möchten, wenden Sie sich bitte an das Kundendienstcenter: Änderungen vorbehalten.

FR GARANTIE

Cet outil électrique est un produit de qualité. Il a été conçu conformément aux normes techniques en vigueur et fabriqué avec soin à l'aide de matériaux usuels et de qualité. La période de garantie est de 24 mois pour une utilisation non professionnelle et 12 mois pour une utilisation professionnelle et débute à la date d'achat. Elle peut être vérifiée sur le reçu, la facture ou le bon de livraison. Pendant cette période de garantie, toutes les erreurs de fonctionnement qui, malgré le traitement minutieux décrit dans notre manuel d'utilisation, sont dues à des défauts matériels, seront corrigées par notre service après-vente. La garantie prend la forme que les pièces défectueuses seront réparées ou remplacées par des pièces parfaites gratuitement à notre discrétion. Les pièces remplacées deviendront notre propriété. Les travaux de réparation ou le remplacement de pièces individuelles ne prolongeront pas la période de garantie et n'en traîneront pas le début d'une nouvelle période de garantie pour l'appareil. Aucune période de garantie séparée ne commencera pour les pièces de rechange susceptibles d'être utilisées. Nous ne pouvons pas offrir de garantie pour les dommages et les défauts des appareils ou de leurs pièces causés par l'utilisation d'une force excessive, un traitement ou un entretien inapproprié. Ceci s'applique également aux cas de non-respect du manuel d'utilisation et de l'installation ou des pièces détachées et accessoires non compris dans notre gamme de produits. En cas d'interférence avec des modifications apportées à l'appareil par des personnes non autorisées, la garantie sera annulée. Les dommages résultant d'une mauvaise manipulation, d'un chargement excessif ou d'une usure naturelle sont exclus de la garantie. Les dommages causés par le fabricant ou par un défaut matériel seront corrigés gratuitement par la réparation ou par la fourniture de pièces de rechange. La condition préalable est que le matériel soit remis assemblé et accompagné de la preuve de vente et de la garantie. Pour une demande de garantie, utilisez uniquement l'emballage d'origine. De cette manière, nous pouvons garantir un traitement rapide et sans heurts des garanties. S'il vous plaît envoyez-nous les appareils post-payés ou demandez un autocollant Freeway. Malheureusement, nous ne pourrions pas accepter les appareils non postpayés. La garantie ne couvre pas les pièces soumises à une usure naturelle. Si vous souhaitez faire une demande de garantie, signaler un défaut ou commander des pièces de rechange ou des accessoires, veuillez contacter le service après-vente: Sujet à modification sans préavis.

ESP GARANTÍA

Esta herramienta eléctrica es un producto de calidad. Fue diseñado de acuerdo con las normas técnicas actuales y se hizo con cuidado utilizando materiales normales y de buena calidad. El período de garantía es de 24 meses para uso no profesional y de 12 meses para uso profesional y comienza en la fecha de compra, que puede verificarse mediante el recibo, la factura o la nota de entrega. Durante este período de garantía, todos los errores funcionales que, a pesar del tratamiento cuidadoso que se describen en nuestro manual de operación, son verificables debido a fallas materiales, serán corregidos por nuestro personal de servicio postventa. La garantía adquiere la forma de que las piezas defectuosas se repararán o reemplazarán con piezas perfectas de forma gratuita a nuestra discreción. Las partes reemplazadas se convertirán en nuestra propiedad. Los trabajos de reparación o el reemplazo de piezas individuales no ampliarán el período de garantía, no dará lugar a que se comience un nuevo período de garantía para el aparato. No se iniciará ningún período de garantía por separado para las piezas de repuesto que puedan ser utilizadas. No podemos ofrecer una garantía por daños y defectos en los aparatos o sus partes causados por el uso excesivo de la fuerza, el tratamiento y el servicio incorrectos. Esto también se aplica a las fallas en el cumplimiento del manual de operación y la instalación o piezas de repuesto y accesorios que no están incluidos en nuestra gama de productos. En caso de interferencia con modificaciones al aparato por parte de personas no autorizadas, la garantía quedará anulada. Los daños que son atribuibles a un manejo inadecuado, sobrecarga o desgaste natural están excluidos de la garantía. Los daños causados por el fabricante o por un defecto de material se corregirán sin costo alguno por reparación o proporcionando piezas de repuesto. El requisito previo es que el equipo se entregue ensamblado y se complete con el comprobante de venta y garantía. Para una reclamación de garantía, utilice únicamente el embalaje original. De esta manera, podemos garantizar un rápido y suave procesamiento de garantías. Por favor, envíenos los electrodomésticos con pospago o solicite una etiqueta de Freeway. Lamentablemente, no podremos aceptar aparatos que no sean de pospago. La garantía no cubre las piezas que están sujetas a desgaste natural. Si desea realizar un reclamo de garantía, informar fallas o solicitar piezas de repuesto o accesorios, comuníquese con el centro de postventa: Sujeto a cambios sin previo aviso.

IT

GARANZIA

Questo elettrodomestico è un prodotto di qualità. È stato progettato in conformità con le attuali norme tecniche e realizzato con attenzione utilizzando materiali normali di buona qualità. Il periodo di garanzia è di 24 mesi per uso non professionale e di 12 mesi per uso professionale e decorre dalla data di acquisto, che può essere verificata tramite ricevuta, fattura o bolla di consegna. Durante questo periodo di garanzia tutti gli errori funzionali, che, nonostante l'accurato trattamento descritto nel nostro manuale operativo, sono verificabili a causa di difetti dei materiali, verranno risolti dal nostro personale di assistenza post-vendita. La garanzia assume la forma che le parti difettose saranno riparate o sostituite con parti perfette gratuitamente a nostra discrezione. Le parti sostituite diventeranno di nostra proprietà. I lavori di riparazione o la sostituzione di singole parti non prolungheranno il periodo di garanzia, poiché non si verificherà un nuovo periodo di garanzia per l'apparecchio. Non inizierà alcun periodo di garanzia separato per i pezzi di ricambio che possono essere utilizzati. Non possiamo offrire una garanzia per danni e difetti su apparecchi o loro parti causati dall'uso di forza eccessiva, trattamento e manutenzione inadeguati. Ciò vale anche per il mancato rispetto o del manuale operativo e delle parti di installazione o di ricambio e accessori non inclusi nella nostra gamma di prodotti. In caso di interferenza con modifiche all'apparecchio da parte di persone non autorizzate, la garanzia sarà invalidata. Sono esclusi dalla garanzia i danni riconducibili a uso improprio, sovraccarico o usura naturale.

I danni causati dal produttore o da un difetto materiale verranno correte gratuitamente mediante riparazione o fornitura di pezzi di ricambio. Il presupposto è che l'attrezzatura sia consegnata assemblata e completa con la prova di vendita e garanzia. Per una richiesta di garanzia, utilizzare solo la confezione originale. In questo modo, possiamo garantire un'elaborazione della garanzia rapida e agevole. Vi preghiamo di inviarci gli elettrodomestici con post-pagamento o richiedere un adesivo Freeway. Purtroppo non saremo in grado di accettare apparecchi che non sono postpagati. La garanzia non copre parti soggette a usura naturale. Se si desidera presentare una richiesta di intervento in garanzia, segnalare guasti o ordinare pezzi di ricambio o accessori, contattare il centro assistenza: soggetto a modifiche senza preavviso.

SLO

GARANCIJA

Ta aprava je kakovosten izdelek. Zasnovan je bil v skladu z veljavnimi tehničnimi standardi in skrbno izdelan z običajnimi, kakovostnimi materiali. Garancijsko obdobje je 24 mesecev za neprofesionalno uporabo in 12 mesecev za profesionalno uporabo in se začne na dan nakupa, ki ga je mogoče preveriti s potrdilom o prejemu, računom ali dobavnico. V času garancijskega roka bodo vse funkcionalne napake, ki so kljub skrbni obdelavi, opisani v naših navodilih za uporabo, preverljive zaradi materialnih napak, odpravile naše servisno osebje. Garancija prevzame obliko, da bodo okvarjeni deli po lastni presoji brezplačno popravljeni ali zamenjani z brezhibnimi deli. Zamenjani deli bodo postali naša last. Popravila ali zamenjava posameznih delov ne podaljšujejo garancijskega roka, dokler ne začne veljati nova garancijska doba za napravo. Za rezervne dele, ki se lahko pojavijo, se ne bo začelo ločeno garancijsko obdobje. Ne moremo ponuditi garancije za poškodbe in napake na napravah ali njihovih delih zaradi uporabe prekomerne sile, nepravilne obdelave in servisiranja. To velja tudi za neupoštevanje navodil za uporabo in namestitve ali rezervnih delov in dodatkov, ki niso vključeni v našo paleto izdelkov. V primeru motenj v napravi s strani nepooblaščenih oseb, se garancija razveljavi. Poškodbe, ki so posledica nepravilnega ravnanja, obremenitve ali naravne obrabe, so izključene iz garancije. Poškodbe, ki jih povzroči proizvajalec ali materialna napaka, se bodo popravile ali popravile z zagotavljanjem rezervnih delov. Predpogoj je, da se oprema preda sestavljena in skupaj z dokazilom o prodaji in garancijo. Za garancijski zahtevek uporabite samo originalno embalažo. Tako lahko zagotovimo hitro in gladko obdelavo garancij. Prosimo, pošljite nam naprave po plačilu ali zahtevajte nalepko za Freeway. Na žalost ne bomo mogli sprejeti naprav, ki niso postpaid. Garancija ne zajema delov, ki so predmet naravne obrabe. Če želite vložiti zahtevek za garancijo, prijaviti napake ali naročiti nadomestne dele ali dodatno opremo, se obrnite na spodnji prodajni center: Pridržujemo si pravico do sprememb brez predhodnega obvestila.

MLT

GARANYIJA

Dan l-apparat huwa prodott ta 'kwalità. Kienet imfassla f'konformità mal-istandards tekniċi attwali u saret b'attenzjoni bl-użu ta 'materjali normali u ta' kwalità tajba. Il-perjodu tal-garanzija huwa ta '24 xahar għal użu mhux professjonali u 12-il xahar għall-użu professjonali u jibda fid-data tax-xiri, li jista' jiġi vverifikat bir-riċevuta, fattura jew nota tal-kunsinna. Matul dan il-perjodu ta 'garanzija l-iżbalji funzjonali kollha, li, minkejja t-trattament bir-reqq deskritt fil-manwal operattiv tagħna, huma verifikabbli minħabba difetti materjali, se jiġu kkoreġuti mill-istaff tagħna tas-servizz ta' wara l-bejgħ. Il-garanzija tiegħu l-forma li partijiet difettużi se jissewewew jew jiġu sostitwiti bi partijiet perfetti bla ħlas fid-diskreżjoni tagħna. Partijiet mibdula jsiru proprjetà tagħna. Ix-xogħol ta 'tiswija jew is-sostituzzjoni ta' partijiet individwali ma jestendux il-perjodu ta 'garanzija mhux se jirriżulta f'li jibda perjodu ġdid ta' garanzija għall-apparat. Ma jibda l-ebda perjodu ta 'garanzija separat għal spare parts li jistgħu jiġu ted. Ma nistgħux noffru garanzija għal ħsara u difetti fuq l-apparat jew il-partijiet tagħhom ikkawżati mill-użu ta 'forza eċċessiva, trattament mhux xieraq u manutenzjoni. Dan japplika wkoll għal nuqqasijiet ta 'konformità mal-manwal tat-thaddim u l-installazzjoni jew partijiet ta' rikambju u aċċessorji li mhumiex inkluzi fil-firxa ta 'prodotti tagħna. Fil-każ ta 'interferenza ma' modifiki fl-apparat minn persuni mhux awtorizzati, il-garanzija ssir nulla. Ħsarat li huma attribwiti għal immaniġġjar hażin, tagħbija żejda, jew xedd u kedd naturali huma esklużi mill-garanzija. Danni kkawżati mill-manifattur jew minn difett materjali se jiġu kkoreġuti mingħajr ħlas permezz ta 'tiswija jew billi jiġu pprovduti spare parts. Il-pre-ekwizit huwa li t-tagħmir jiġi mġoddi immuntat, u komplut bil-prova tal-bejgħ u l-garanzija. Għal talba ta 'garanzija, uża biss l-imballaġġ originali. B'dan il-mod, nistgħu nigarantixxu proċessar ta 'garanzija malajr u bla xkiel. Jekk jogħġbok ibgħatilna l-appliances post-paid jew itlob stiker tal-Freeway. Sfortunatament ma nkunux nistgħu naċċettaw apparat li ma jithallasx wara. Il-garanzija ma tkoprix partijiet li huma soġġetti għal ilbies u kedd naturali. Jekk tixtieq tagħmel talba għall-garanzija, irrapporta ħsarat jew tordna spare parts jew aċċessorji, jekk jogħġbok ikkuntatt ja ċ-ċentru ta 'wara l-bejgħ: Soġġett għal bidla mingħajr avviż minn qabel.

SK

ZÁRUKA

Tento spotřebič je kvalitní výrobek. Bol navrhnutý v súlade s platnými technickými normami a opatrne používal bežné a kvalitné materiály. Záručná doba je 24 mesiacov na neprofesionálne použitie a 12 mesiacov na profesionálne použitie a začína plynúť dátumom nákupu, ktorý je možné overiť potvrdením, faktúrou alebo dodacím listom. Počas tejto záručnej lehoty všetky funkčné chyby, ktoré napriek starostlivej úprave popísanej v našom návode na obsluhu sú overiteľné z dôvodu materiálnych nedostatkov, opravia naši pracovníci popredajného servisu. Záruka má formu, že vadné časti budú opravené alebo nahradené perfektnými dielmi bezplatne podľa nášho uváženia. Nahradené diely sa stanú našimi vlastnosťami. Opravné práce alebo výmena jednotlivých dielov predĺženie záručnej lehoty nevedie k vzniku novej záručnej lehoty pre spotrebič. Za náhradné diely, ktoré môžu byť dodané, sa nezačína samostatná záručná lehota. Nemôžeme ponúknuť záruku na poškodenie a poškodenie spotrebičov alebo ich častí spôsobené nadmernou silou, nesprávnou obsluhou a servisom. Platí to aj pre poruchy v súlade s návodom na obsluhu a inštaláciou alebo náhradnými dielmi a príslušenstvom, ktoré nie sú súčasťou našej ponuky. V prípade zásahu do modifikácie spotrebiča neoprávnenými osobami sa záruka stane neplatnou. Škody, ktoré sú spôsobené nesprávnou manipuláciou, nadmerným zaťažením alebo prirodzeným opotrebovaním, sú z záruky vylúčené. Škody spôsobené výrobcom alebo chybou materiálu budú opravené bezplatne opravou alebo poskytnutím náhradných dielov. Predpokladom je, že zariadenie je odovzdané a kompletné s dokladom o predaji a zárukou. Pokiaľ ide o nárok na záruku, použite iba pôvodný obal. Týmto spôsobom môžeme zaručiť rýchle a plynulé spracovanie záruky. Pošlite nám, prosím, spotrebiče, ktoré ste už zaplatili, alebo požiadajte o nálepku Freeway. Bohužiaľ nebudeme môcť prijať zariadenia, ktoré nie sú vyplatené. Záruka sa nevzťahuje na časti, ktoré sú vystavené prirodzenému opotrebovaniu. Ak chcete požiadať o záruku, oznámiť chyby alebo objednať náhradné diely alebo príslušenstvo, obráťte sa na nižšie uvedené stredisko popredajného servisu: Podliehajú zmenám bez predchádzajúceho upozornenia.

BG ГАРАНЦИЯ

Този уред е качествен продукт. Той е проектиран в съответствие с действащите технически стандарти и е направен внимателно при използване на нормални, качествени материали. Гаранционният срок е 24 месеца за непрофесионално ползване и 12 месеца за професионална употреба и започва да тече от датата на покупката, която може да бъде потвърдена с квитанция, фактура или документ за доставка. По време на този гаранционен период всички функционални грешки, които, въпреки внимателното третиране, описано в нашето ръководство за експлоатация, са проверими поради материални недостатъци, ще бъдат отстранени от нашия сервизен персонал. Гаранцията приема формата, в която дефектните части ще бъдат ремонтирани или заменени с перфектни части безплатно по наше усмотрение. Подменените части ще станат наша собственост. Ремонтните работи или подмяната на отделни части няма да удължат гаранционния срок, без това да доведе до започване на нов гаранционен период за уреда. За резервни части, които могат да бъдат поставени, няма да започне отделен гаранционен срок. Не можем да предложим гаранция за повреди и дефекти на уредите или техните части, причинени от използването на прекомерна сила, неправилно третиране и обслужване. Това важи и за неспазване на ръководството за експлоатация и инсталацията, както и резервни и допълнителни части, които не са включени в нашата гама от продукти. В случай на намеса в модификации на уреда от неупълномощени лица, гаранцията ще бъде премахната. Щети, които се дължат на неправилно боравене, натоварване или естествено износване, са изключени от гаранцията. Щети, причинени от производителя или от дефект на материала, ще бъдат поправени без заплащане чрез ремонт или чрез предоставяне на резервни части. Предпоставка е оборудването да се съгласява и да се допълни с доказателство за продажба и гаранция. За гаранционна претенция използвайте само оригиналната опаковка. По този начин можем да гарантираме бърза и гладка обработка на гаранциите. Моля, изпратете ни уредите след плащане или заявете стикер на Freeway. За съжаление няма да можем да приемаме уреди, които не са с абонамент. Гаранцията не покрива части, които са обект на естествено износване. Ако желаете да направите гаранционна претенция, да съобщите за неизправности или да поръчате резервни части или аксесоари, моля свържете се с центъра за поддръжка: Подлежи на промяна без предизвестие.

RO GARANȚIE

Acest aparat este un produs de calitate. A fost proiectat în conformitate cu standardele tehnice actuale și a făcut cu atenție materiale normale, de bună calitate. Perioada de garanție este de 24 de luni pentru uz neprofesionist și de 12 luni pentru uz profesional și începe la data cumpărării, care poate fi verificată prin chitanță, factură sau buletin de livrare. În timpul acestei perioade de garanție, toate erorile funcționale, care, în ciuda tratamentului atent descris în manualul nostru de utilizare, sunt verifiabile din cauza defectelor materiale, vor fi rectificate -cate de personalul nostru de service post-vânzare. Garanția ia forma faptului că piesele defecte vor fi reparate sau înlocuite cu piese perfecte gratuit, la discreția noastră. Piesele înlocuite vor deveni proprietatea noastră. Lucrările de reparații sau înlocuirea pieselor individuale nu vor prelungi perioada de garanție, deoarece nu vor duce la începerea unei noi perioade de garanție pentru aparat. Nu se va începe nici o perioadă de garanție separată pentru piesele de schimb care pot fi incluse. Nu putem oferi o garanție pentru defecțiunile și defectele aparatelor sau ale pieselor acestora cauzate de utilizarea forței excesive, tratarea necorespunzătoare și întreținerea. Acest lucru se aplică și în caz de nerespectare a manualului de utilizare și a pieselor de instalare sau de rezervă și accesoriilor care nu sunt incluse în gama noastră de produse. În caz de interferență cu modifiările carele aduse aparatului de către persoane neautorizate, garanția va fi anulată. Daunele care pot fi atribuite manipulării necorespunzătoare, supraîncălzirii sau uzurii naturale sunt excluse din garanție. Deteriorările cauzate de producător sau de un defect material vor fi corectate gratuit, prin reparații sau prin furnizarea de piese de schimb. Condiția prealabilă este ca echipamentul să fi predat în asamblare și să fi completat cu dovada vânzării și a garanției. Pentru o cerere de garanție, utilizați numai ambalajul original. În acest fel, putem garanta procesarea rapidă și fără probleme a garanției. Trimiteți-ne aparatele post-plățiți sau solicitați un autocolant Freeway. Din păcate, nu vom putea accepta dispozitive care nu sunt plătite postpaid. Garanția nu acoperă piese care sunt supuse uzurii naturale. Dacă doriți să solicitați o garanție, să semnalați defecțiuni sau să comandați piese de schimb sau accesorii, vă rugăm să contactați centrul de asistență tehnică: Pot fi modificate fără o notificare prealabilă.

NMK GARANCIA

Овој уред е квалитетен производ. Дизајниран е во согласност со тековните технички стандарти и направен е внимателно со употреба на нормални, квалитетни материјали. Гарантниот период е 24 месеци за непрофесионална употреба и 12 месеци за професионална употреба и започнува на датумот на купување, што може да се потврди со потврда, фактура или испратница. За време на овој гарантен период, сите функционални грешки, кои, и покрај внимателниот третман опишан во нашето упатство за работа, се проверливи поради материјални недостатоци, ќе бидат поправени од нашиот персонал по продажбата. Гаранцијата има форма дека неисправните делови ќе бидат поправени или заменети со совршени делови бесплатно по наша дискреција. Заменетите делови ќе станат наша сопственост. Работата за поправка или замената на поединечни делови нема да го продолжи гарантниот период и нема да резултира со започнување на нов гарантен период за апаратот. Нема да започне посебен гарантен период за резервните делови што може да се тераат. Не можеме да понудиме гаранција за оштетувања и дефекти на апаратите или нивните делови предизвикани од употреба на прекумерна сила, несоодветен третман и сервисирање. Ова исто така важи и за неусогласеност со упатството за работа и инсталацијата или резервните и дополнителните делови кои не се вклучени во нашата палета на производи. Во случај на мешање на модификации на апаратот од страна на неовластени лица, гаранцијата ќе се поништи. Штетите што се припишуваат на неправилно ракување, прекумерно оптоварување или природно абеење се исклучени од гаранцијата. Штетите предизвикани од производителот или од материјален дефект ќе се коригираат безплатно со поправка или со обезбедување резервни делови. Предуслов е опремата да биде предадена склопена, и комплетна со доказ за продажба и гаранција. За гаранција, користете го само оригиналното пакување. На тој начин, можеме да гарантираме брза и непречена обработка на гаранциите. Ве молиме испратете ни ги апаратите пост-пејд или побарајте налепница за автопат. За жал, нема да можеме да прифатиме апарати што не се постпејд. Гаранцијата не опфаќа делови кои се предмет на природно абеење и кинење. Доколку сакате да поднесете барање за гаранција, да пријавите дефекти или да нарачате резервни делови или додатоци, ве молиме контактирајте го постпродажниот центар: Може да се промени без претходна најава.

HUN GARANCIA

Ez a készülék minőségi termék. Úgy tervezték, hogy megfeleljen a jelenlegi műszaki szabványoknak, és gondosan, normál, jó minőségű anyagokkal készült. A jótállási idő nem professzionális használat esetén 24 hónap, szakmai használat esetén 12 hónap, és a vásárlás napján kezdődik, amelyet a kézszévtel, a számla vagy a kézbesítési értesítés igazolhat. A garanciaidő alatt minden olyan funkcionális hiba, amely az üzemeltetési utasításunkban leírt gondos kezelés ellenére bizonyíthatóan az anyagi hibák miatt következik be, a vevőszolgálatunk javítja. A garancia olyan formája, hogy a hibás alkatrészek javítása vagy cseréje a tökéletes alkatrészekkel ingyenes. A cserélt részek tulajdonunk lesz. A javítási munkák vagy az egyes részek cseréje nem hosszabbítja meg a jótállási időszakot, és nem eredményez új garanciaidő megkezdését a készülék számára. Nincs külön garanciaidő a pótalkatrészek esetén. Nem nyújtunk garanciát a készülékek vagy alkatrészeik károsodására és hibáira a túlzott erő, a helytelen kezelés és a karbantartás miatt. Ez vonatkozik az üzemeltetési utasítás és a telepítés, illetve a tartalék és tartozék alkatrészeinek meg nem felelésére is, amelyek nem tartoznak a termékínálatunkba. Abban az esetben, ha a készülék jogosulatlan személy általi módosításai zavarnak, a garancia érvényét veszti. A nem megfelelő kezelés, a terhelés vagy a természetes kopás okozta károk nem tartoznak a garancia hatálya alá. A gyártó vagy az anyaghiba által okozott károkat a javítás vagy a pótalkatrészek beszerzése nélkül kijavítják. Az előfeltétel az, hogy a berendezést összeszerelték, és az értékesítés és a garancia igazolásával kiegészüljön. A garancia igényléséhez csak az eredeti csomagolást használja. Így garantálhatjuk a gyors és zökkenőmentes garanciafeldolgozást. Kérjük, küldje el nekünk a készüléket utólag fizetett vagy kérjen Freeway matricát. Sajnos nem tudjuk elfogadni a nem utólag fizetett készülékeket. A garancia nem terjed ki a természetes kopásnak kitett alkatrészekre. Ha garanciális igényt kíván nyújtani, hibákat jelenteni vagy pótalkatrészeket vagy tartozékokat rendelni, kérjük, vegye fel a kapcsolatot az alábbi értékesítési központtal: Előzetes értesítés nélkül változhat.

POL GWARANCJA

To urządzenie jest produktem wysokiej jakości. Został zaprojektowany zgodnie z aktualnymi standardami technicznymi i wykonany starannie przy użyciu zwykłych, dobrej jakości materiałów. Okres gwarancji wynosi 24 miesiące w przypadku użytku nieprofesjonalnego i 12 miesięcy w przypadku użytku profesjonalnego i rozpoczyna się w dniu zakupu, który można zweryfikować za pomocą paragonu, faktury lub dowodu dostawy. W okresie gwarancji wszystkie błędy funkcjonalne, które pomimo starannego traktowania opisanego w naszej instrukcji obsługi, są weryfikowalne przez wady materiałowe, zostaną naprawione przez nasz personel obsługi posprzedażnej. Gwarancja ma formę, w której wadliwe części zostaną naprawione lub wymienione na części zamiennie bezpłatnie według naszego uznania. Wymienione części staną się naszą własnością. Naprawa lub wymiana pojedynczych części nie przedłuży okresu gwarancji, nie spowoduje to rozpoczęcia nowego okresu gwarancyjnego dla urządzenia. Nie rozpocznie się oddzielny okres gwarancji na części zamiennie, które mogą być używane. Nie możemy zaoferować gwarancji na uszkodzenia i usterki urządzeń lub ich części spowodowane użyciem nadmiernej siły, niewłaściwego traktowania i serwisowania. Dotyczy to również nieprzestrzegania instrukcji obsługi i instalacji lub części zamiennych i akcesoriów, które nie są zawarte w naszej ofercie produktów. W przypadku ingerencji w modyfikacje urządzenia przez osoby nieuprawnione, gwarancja zostanie unieważniona. Szkody, które można przypisać niewłaściwej obsłudze, nadmiernemu obciążeniu lub naturalnemu zużyciu, są wyłączone z gwarancji. Uszkodzenia spowodowane przez producenta lub wadę materiałową zostaną naprawione bezpłatnie przez naprawę lub przez dostarczenie części zamiennych. Warunkiem wstępnym jest przekazanie sprzętu w komplecie wraz z dowodem sprzedaży i gwarancją. W przypadku reklamacji należy używać tylko oryginalnego opakowania. W ten sposób możemy zagwarantować szybkie i płynne przetwarzanie gwarancji. Prześlij nam urządzenia post-paid lub zamów naklejkę na autostradę. Niestety nie będziemy mogli akceptować urządzeń, które nie są opłacane z dołu. Gwarancja nie obejmuje części ulegających naturalnemu zużyciu. Jeśli chcesz zgłosić roszczenie gwarancyjne, zgłośić usterki lub zamówić części zamiennie lub akcesoria, skontaktuj się z następującym centrum obsługi posprzedażnej: Zastrzega się możliwość zmian bez uprzedzenia.

ALB GARANCIA

Kjo pajisje është një produkt cilësor. Washtë hartuar në përputhje me standardet aktuale teknike dhe është bërë me kujdes duke përdorur materiale normale, me cilësi të mirë. Periudha e garancisë është 24 muaj për përdorim jo profesional dhe 12 muaj për përdorim profesional dhe fillon në datën e blerjes, e cila mund të vërtetohet me faturën, faturën ose dorëzimin. Gjatë kësaj periudhe garancie, të gjitha gabimet funksionale, të cilat, përkundër trajtimit të kujdesshëm të përkthuesit në manualin tonë të funksionimit, janë verifikueshëm për shkak të metave të materialit, do të korrigjohen nga stafi ynë i shërbimit pas shitjes. Garancia merr formën që pjesët e dëmtuara do të riparohen ose zëvendësohen me pjesët e përsosura falas, sipas gjykimit tonë. Pjesët e zëvendësuara do të bëhen pronë jonë. Puna e riparimit ose zëvendësimit i pjesëve individuale nuk do të zgjasë periudhën e garancisë, por nuk do të rezultojë në fillimin e një periudhe të re garancie për pajisjen. Asnjë periudhë e veçantë e garancisë nuk do të fillojë për pjesët rezervë që mund të merren. Ne nuk mund të ofrojmë një garanci për dëmtimin dhe defektet e pajisjeve ose pjesëve të tyre të shkaktuara nga përdorimi i forcës së tepërt, trajtimi dhe shërbimi i pahijshëm. Kjo gjithashtu vlen për dështimet në përputhje me manualin e funksionimit dhe instalimin ose pjesët rezervë dhe aksesorë që nuk përfshihen në gamën tonë të produkteve. Në rast ndërhyrjeje në modifikimet e pajisjes nga persona të paautorizuar, garancia do të hiqet. Dëmet që mund t'i atribuohen trajtimit të pahijshëm, ngarkimit të tepërt, ose konsumit natyror, përjashtohen nga garancia. Dëmet e shkaktuara nga prodhuesi ose nga një defekt i materialit do të korrigjohen pa pagesë me riparim ose duke siguruar pjesë këmbimi. Parakushti është që pajisjet të dorëzohen të montuara, dhe të kompletuara me provën e shitjes dhe garancisë. Për një kërkesë garancie, përdorni vetëm paketimin origjinal. Në atë mënyrë, ne mund të garantojmë përpunim të shpejtë dhe të qetë të garancisë. Ju lutemi na dërgoni pajisjet me postë të paguar ose kërkoni një afishe autostradë. Për fat të keq, ne nuk do të jemi në gjendje të pranohim pajisje që nuk janë me kontratë. Garancia nuk përfshin pjesë që i nënshtrohen konsumit natyror. Nëse dëshironi të bëni një kërkesë për garanci, të raportoni gabime ose të porosisni pjesë rezervë ose pajisje, ju lutemi kontaktoni qendrën pas shitjes: Subjekti për të ndryshuar pa njëfjalë im paraprak.


HR JAMSTVO


Ovaj je uređaj kvalitetan proizvod. Dizajniran je u skladu s trenutnim tehničkim standardima i izrađen je pažljivo koristeći normalne, kvalitetne materijale. Garancijsko razdoblje je 24 mjeseca za neprofesionalnu upotrebu i 12 mjeseci za profesionalnu uporabu i započinje datumom kupnje, što se može potvrditi potvrdom primitka, računa ili dostavnice. Tijekom ovog jamstvenog razdoblja sve će funkcionalne pogreške, koje su unatoč pažljivom postupanju opisanom u našem priručniku za upotrebu provjerljivo zbog materijalnih nedostataka, otkloniti od strane našeg servisnog osoblja. Jamstvo ima oblik da će se oštećeni dijelovi besplatno popraviti ili zamijeniti savršenim dijelovima, po našem nahođenju. Zamijenjeni dijelovi postat će naše vlasništvo. Popravak ili zamjena pojedinih dijelova neće produžiti jamstveno razdoblje, jer neće rezultirati novim jamstvenim rokom za uređaj. Neće započeti zasebni jamstveni rok za rezervne dijelove koji se mogu trošiti. Ne možemo pružiti jamstvo za oštećenja i oštećenja uređaja ili njihovih dijelova uzrokovanih prekomjernom silom, nepravilnim postupanjem i servisiranjem. To se također odnosi i na neusklađivanje s uputama za uporabu i instalacijskim ili rezervnim i pomoćnim dijelovima koji nisu uključeni u naš asortiman proizvoda. U slučaju ometanja neovlaštenih osoba na izmjenama uređaja, jamstvo će se poništiti. Oštećenja koja se mogu pripisati nepravilnom rukovanju, preopterećenju ili prirodnom habanju isključena su iz jamstva. Štete uzrokovane proizvođačem ili oštećenjem materijala ispravit će se besplatnim popravkom ili osiguravanjem rezervnih dijelova. Predviđet je da se oprema preda u sastavu, zajedno s dokazom o prodaji i garancijom. Za garancijski zahtjev koristite samo originalno pakiranje. Na taj način možemo jamčiti brzu i glatku obradu jamstava. Pošaljite nam uređaje naknadno ili zatražite naljepnicu autoputa. Nažalost, nećemo biti u mogućnosti prihvatiti uređaje koji nisu pretplaćeni. Jamstvo ne obuhvaća dijelove koji su podložni prirodnom habanju. Ako želite podnijeti zahtjev za jamstvom, prijaviti kvarove ili naručiti rezervne dijelove ili pribor, molimo kontaktirati rajte dolje prodajni centar: Podložno promjenama bez prethodne najave.

SRB GARANCIJA

Ovaj aparat je kvalitetan proizvod. Dizajniran je u skladu sa trenutnim tehničkim standardima i rađen pažljivo koristeći normalne, kvalitetne materijale. Garantni rok je 24 meseca. Garantni rok je 24 meseca za neprofesionalno korišćenje i 12 meseci za profesionalnu upotrebu i započinje danom kupovine, što se može verifikovati primaњem, fakturom ili otpremnicom. Tokom ovog garantnog perioda, sve funkcionalne greške koje se, uprkos pažljivom postupanju opisanom u našem uputstvu za upotrebu, verovatno mogu proveriti zbog materijalnih nedostataka, otkloniće od strane našeg servisnog osoblja. Garancija dobija oblik da će se neispravni delovi popraviti ili zameniti savršenim delovima besplatno po našem nahođenju. Zameњeni delovi postaće naše vlasništvo. Popravci ili zamenja pojedinih delova neće produžiti garantni rok jer neće rezultirati novim garancijskim rokom za aparat. Neće početi poseban garantni rok za rezervne delove koji se mogu napuniti. Ne možemo pružiti garanciju za oštećenja i oštećenja uređaja ili њихових delova nastalih prekomernom silom, nepravilnim tretmanom i servisiraњem. Ovo se takođe odnosi i na nepoštovaње uputstva za upotrebu i instalacionih ili rezervnih i pomoćnih delova koji nisu obuhvaćeni našim asortimanom proizvoda. U slučaju ometaња modifikacija uređaja od strane neovlašћених osoba, garancija će se poništiti. Oštećenja koja se mogu pripisati nepravilnom rukovaњу, preopterećenju ili prirodnom habaњу su isključena iz garancije. Oštećenja nastala od strane proizvođača ili oštećenja materijala ispravljaće se ili popravlaњem rezervnih delova besplatno. Preuslov je da se oprema preda u sastavu, zajedno sa dokazom o prodaji i garancijom. Za zahtev o garanciji koristite samo originalno pakovaње. Na taj način možemo garantovati brzu i glatku obradu garancija. Pošaljite nam uređaje naknadno ili zatražite nalepnicu sa autoputa. Nažalost, nećemo biti u mogućnosti da prihvatimo uređaje koji nisu plaćeni. Garancija ne pokriva delove koji su izloženi prirodnom habaњу. Ako želite da podnesete zahtev za garancijom, prijavite greške ili naručite rezervne delove ili dodatnu opremu, molimo kontaktirati doњи prodajni centar: Mogu se promeniti bez prethodne najave.



The instructions manual is also available in digital format on our website www.nikolaoutools.gr. Find it by entering the product code in the Search "  " field.

Μπορείτε να βρείτε τις οδηγίες χρήσης και σε ηλεκτρονική μορφή μέσω της ιστοσελίδας μας www.nikolaoutools.gr. Αναζητήστε τις με τον κωδικό προϊόντος στο πεδίο Αναζήτηση "  " .