

BORMANN®



BCD2635

053422

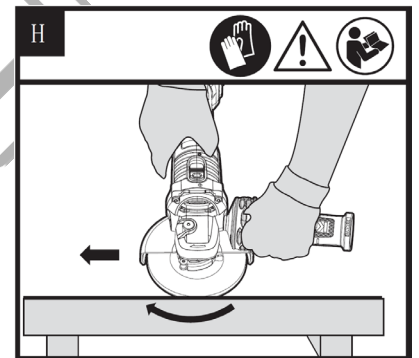
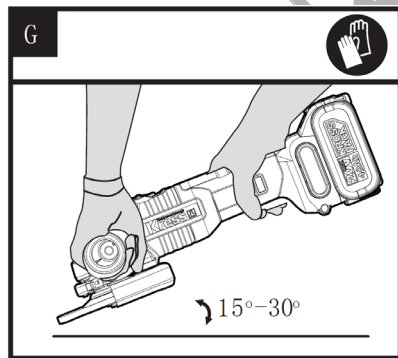
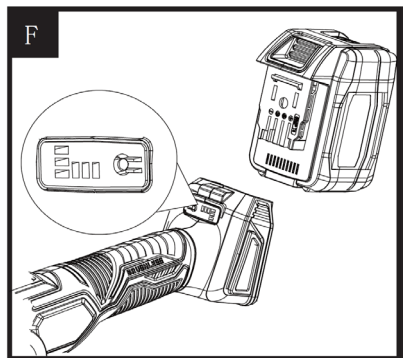
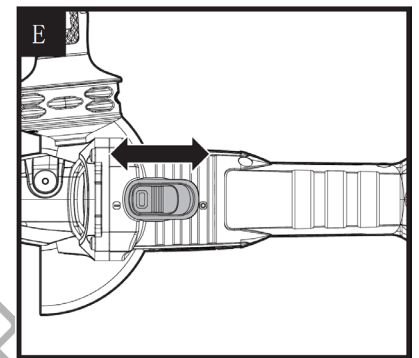
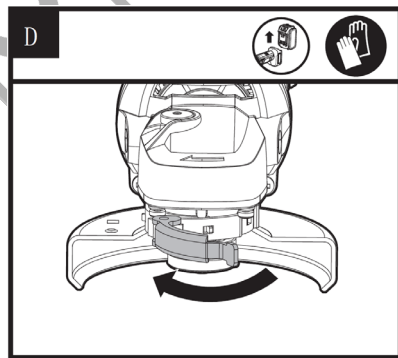
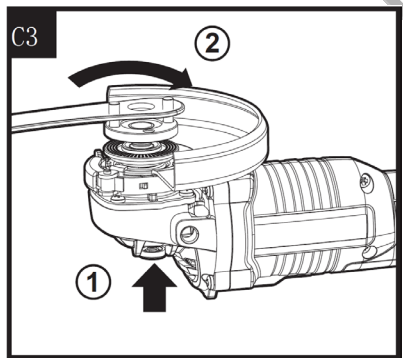
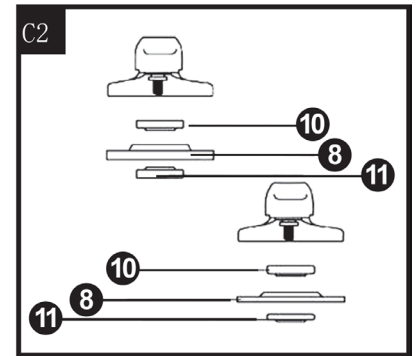
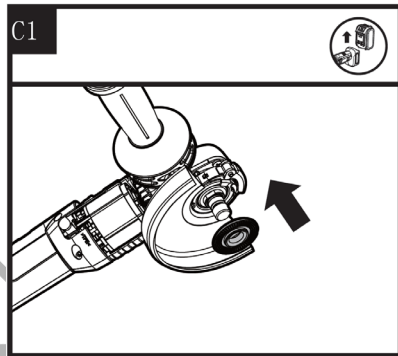
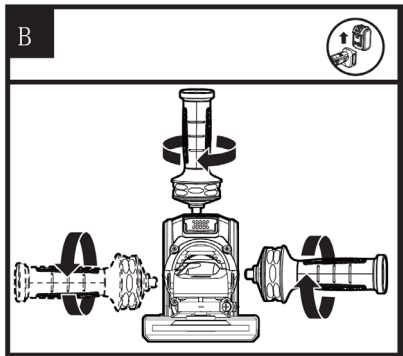
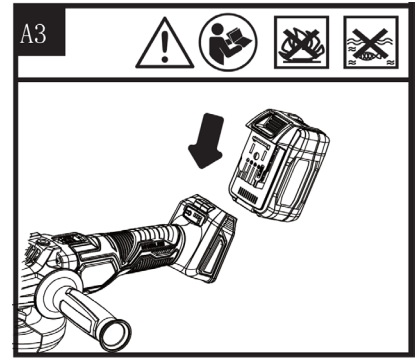
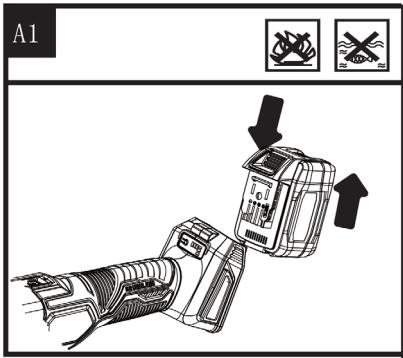
EN FR
IT EL
BG SL
RO

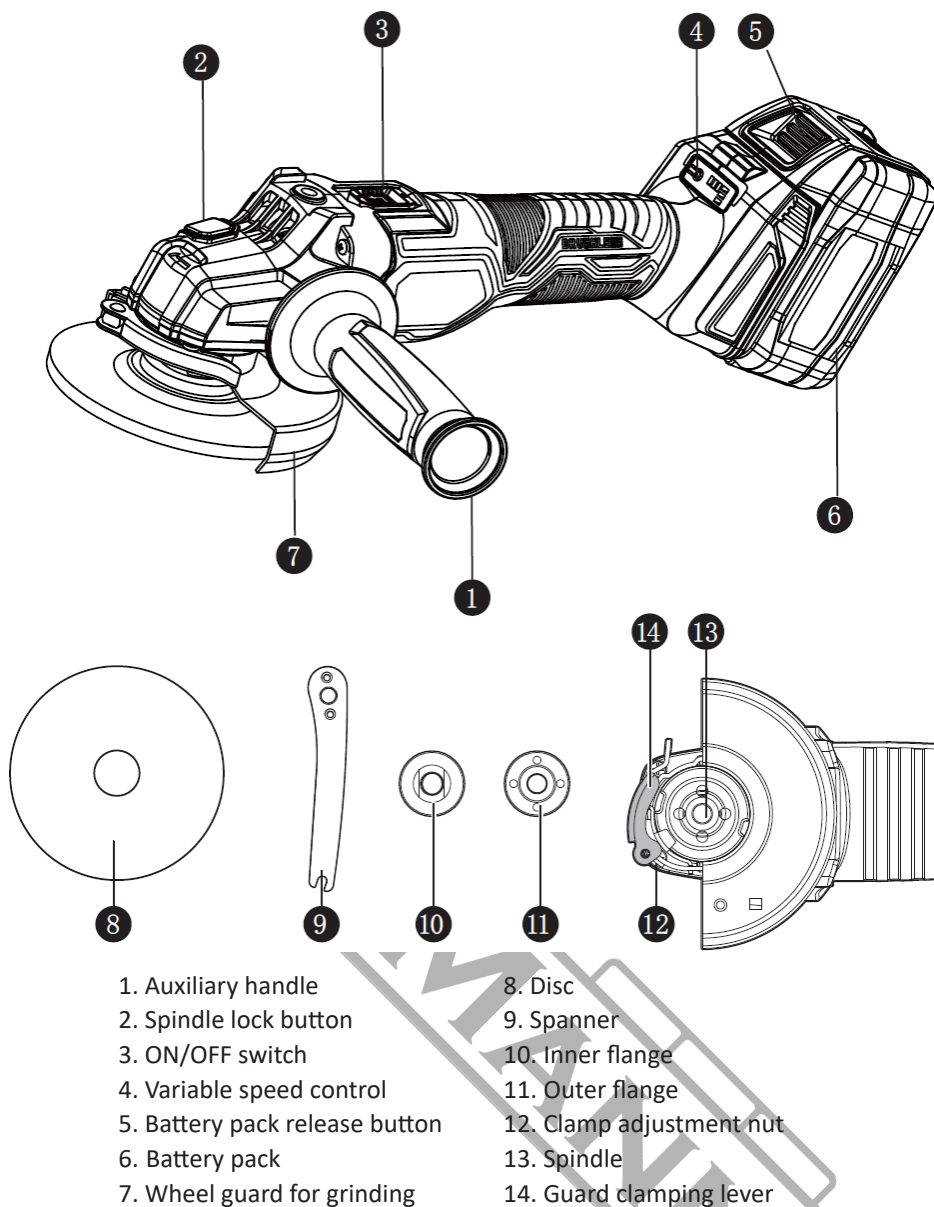
v2.2



WWW.NIKOLAOUTOOLS.GR







- 1. Auxiliary handle
- 2. Spindle lock button
- 3. ON/OFF switch
- 4. Variable speed control
- 5. Battery pack release button
- 6. Battery pack
- 7. Wheel guard for grinding
- 8. Disc
- 9. Spanner
- 10. Inner flange
- 11. Outer flange
- 12. Clamp adjustment nut
- 13. Spindle
- 14. Guard clamping lever

SPECIFICATIONS

Technical Data	
Model	BCD2635
Voltage	DC 18 V
Motor type	Brushless
No load speed	3500/6000/8500rpm
Disc size	125mm
Shaft thread	M14
Features	Soft start and disconnect protection function, toolless disc guard change, metal dust guard
Includes	1x auxiliary handle, 1x disc guard set, 1x spanner, 1x 3.0Ah battery pack, 1x 2.0A charger with VDE plug, fabric bag

* The manufacturer reserves the right to make minor changes to product design and technical specifications without prior notice unless these changes significantly affect the performance and safety of the products. The parts described / illustrated in the pages of the manual that you hold in your hands may also concern other models of the manufacturer's product line with similar features and may not be included in the product you just acquired.

* To ensure the safety and reliability of the product and the warranty validity, all repair, inspection or replacement work, including maintenance and special adjustments, must only be carried out by technicians of the authorized service department of the manufacturer.

* Always use the product with the supplied equipment. Operation of the product with non-provided equipment may cause malfunctions or even serious injury or death. The manufacturer and the importer shall not be liable for injuries and damages resulting from the use of non-conforming equipment.

SAFETY INSTRUCTIONS

Attention: Read the manual before using this power tool. Failure to follow the warnings and instructions may result in electric shock, fire and/or serious injury. After reading the manual, store it in a safe place for future reference.

General power tool safety warnings

Work area safety

- Keep the work area clean and well lit. Dark or cluttered areas could lead to accidents.
- Do not operate power tools in explosive atmospheres, such as in the presence of flammable liquids or fumes, gases or dust. Power tools could create sparks which may ignite the gases or fumes.
- Keep children and bystanders at a safe distance while operating the power tool.

Electrical safety

- Please make sure that power tool plugs match the outlet. Do not ever modify the plug in any way. Do not use adapter plugs with earthed power tools. Using unmodified plugs and matching outlets will reduce the risk of electric shock.
- Avoid body contact with earthed or grounded materials or objects, such as radiators, pipes, ranges and refrigerators. There is a tremendous risk of electric shock if your body is earthed or grounded.
- Do not expose power tools to rain or any other wet conditions. Water entering a power tool could increase the risk of electric shock.
- Do not abuse the power cord. Never use the cord for carrying, pulling or unplugging the electric tool. Keep the cord in a safe distance from heat, oil, sharp edges and any moving parts. Damaged or entangled cords will increase the risk of electric shock.
- When operating an electric power tool outdoors, use an extension cable which has the appropriate specifications for outdoor use. Use of an extension cable suitable for outdoor use reduces the risk of electric shock.
- If operating a power tool in a damp location cannot be avoided, use a residual current device (RCD) protected supply. Use of an RCD reduces the risk of electric shock.

Personal safety

- Stay alert, watch what you are doing and use common sense when operating the power tool. Do not use the power tool if you are feeling tired or are under the influence of alcohol, drugs, or medication. A moment of inattention while operating the power tool may result in serious personal injury.
- Use personal protective equipment. Always wear eye protection. Protective equipment such as a dust mask, or hearing protection, non-skid safety shoes or protective helmets, used in appropriate conditions will reduce personal injuries.
- Prevent unintentional starting. Ensure the power switch is in the off-position before connecting to power source and/or battery pack, picking up or carrying the power tool. Carrying power tools with your finger on the power switch or connecting power tools that have the switch in the on position to a power source can lead to accidents.
- Remove any adjusting keys or wrenches before turning on the power tool. An adjusting key or a wrench left attached to a rotating part of the power tool may result in personal injury.
- Do not overreach. Keep balance and proper footing at all times. This helps the operator have better control of the power tool in unexpected situations.
- Dress properly. Do not wear loose clothing or jewellery. Keep your hair, clothing and gloves away from any moving parts. Loose clothes, jewellery and/or long hair can be caught in moving parts.

Power tool use and care

- Do not force the power tool. Use the correct power tool for the each application. The correct power tool will always do the job better and safer when used as intended.
- Do not use the power tool if the switch does not turn activate or deactivate it. Any power tool that cannot be controlled with the switch is extremely dangerous and must be repaired.
- Disconnect the main plug from the power source and/or the battery pack from the power tool before changing accessories, making any adjustments, or storing the power tool. Such preventive safety measures will reduce the risk of starting the power tool accidentally.
- When the power tool is not in use, store it out of the reach of children and do not allow persons unfamiliar with the power tool or these instructions to use and operate the power tool. Power tools are extremely dangerous in the hands of untrained users.
- Maintain the power tool. Check for misalignment or binding of moving parts, breakage of parts, leakage and any other issue that may affect the power tool's operation. If damaged, please have the power tool repaired before use. Many accidents and injuries are caused by poorly maintained power tools.
- Keep the cutting parts of the power tool sharp and clean. Properly maintained cutting tools with sharp cutting edges are less likely to bind and are more precise and easier to control.
- Always use the power tool, accessories and tool bits etc. in accordance with the instructions of this instruction manual, taking into account the working conditions and the work that is to be performed. Use of the power tool for applications different from those intended could result in personal injury or cause damage to the power tool.
- Keep the handles and any grasping surfaces of the power tool dry, clean and free of oil and grease. Slippery handles and grasping surfaces do not allow for safe handling of the tool in unexpected circumstances.

Battery tool use and care

- Recharge the batteries only with the charger specified by the manufacturer. A charger that is used to charge unsuitable batteries can create a risk of fire.
- Use the power tool only with the specifically designated battery packs. Use of any other battery packs may create a risk of injury and fire.
- When the battery pack is not in use, keep it away from other metal objects, like paper clips, coins, keys, nails, screws or other small metal objects that can make a connection from one terminal to another.
- Shorting the battery terminals together may cause burns or a fire.
- Under abusive conditions, liquid may be ejected from the battery; avoid contact.
- If contact accidentally occurs, flush with water. If liquid contacts eyes, seek medical help immediately. Liquid ejected from the battery may cause irritation or burns.

Service

- Have the power tool serviced by qualified service personnel, using only identical replacement parts. This will ensure that the safety of the power tool is maintained.
- Never attempt to repair damaged battery packs on your own. Service of battery packs should only be performed by the manufacturer or authorized service technicians.

Safety instructions for angle grinders

- This power tool is intended to function as a grinder or cut-off tool.
- Operations such as sanding, wire brushing, polishing are not recommended to be performed with this power tool. Using the power tool to perform tasks others than the ones it is meant to perform may create a hazard and cause personal injury.
- Do not use accessories which are not specifically designed and recommended by the tool manufacturer. Safe operation is not assured just because an accessory can be attached to the power tool.
- The rated speed of the accessory must be at least equal to the maximum speed marked on the power tool. Accessories running faster than their rated speed can break and eject out of the tool.
- The outside diameter and the thickness of any given accessory must be within the capacity rating of the power tool. Incorrectly sized accessories cannot be adequately guarded or controlled.
- Threaded mounting of accessories must match the grinder spindle thread. For accessories mounted by flanges, the arbour hole of the accessory must fit the locating diameter of the flange. Accessories that do not match the mounting hardware of the power tool will vibrate excessively and may cause loss of control.
- Do not use a damaged accessory. Before each use inspect the accessory such as abrasive wheels for chips and cracks, backing pad for cracks, tear or excess wear, wire brush for loose or cracked wires. If the power tool or accessory is dropped, inspect for damage or install an undamaged accessory. After inspecting and installing an accessory, position yourself away from the moving part, ensure that bystanders are at a safe distance from the moving part and then run the power tool at the maximum no load speed for one minute.
- Damaged accessories will normally break apart during this test time.
- Wear personal protective equipment. Depending on application, use a face shield, safety goggles or safety glasses. As appropriate, wear a dust mask, hearing protectors, gloves and protective clothes capable of stopping small abrasive or workpiece fragments. The eye protection must be capable of stopping flying debris generated during operation. The dust mask or respirator must be capable of filtrating particles generated during operation. Prolonged exposure to high intensity noise may cause hearing loss.
- Keep bystanders at a safe distance away from work area. Anyone entering the work area must wear personal protective equipment.
- Fragments of a workpiece or of a broken accessory may eject at high speeds and cause injury beyond the immediate area of operation.
- Hold the power tool by insulated gripping surfaces only. Contact with a "live" wire will also make exposed metal parts of the power tool "live" and could give the operator an electric shock.
- Never lay the power tool down until the accessory has come to a complete stop. The operator may lose control of the power tool as a result of the spinning accessory touching the ground.
- Do not run the power tool while carrying it at your side. Accidental contact with the spinning accessory could snag your clothing, pulling the accessory into your body.
- Regularly clean the power tool's air vents. The motor's fan will draw the dust inside the housing and excessive accumulation of powdered metal may cause electrical hazards.
- Do not operate the power tool near flammable materials. Sparks could ignite these materials.
- Do not use accessories that require liquid coolants. Using water or other liquid coolants may result in electrocution or shock.
- During operation, grab the handle. Always use the auxiliary handles supplied with the tool. Loss of control can cause personal injury.
- Use only grinding wheels that are recommended for the power tool and the specific guard designed for the selected wheel.
- The guard must be securely attached to the power tool and positioned in such a way as to maximize safety, so the least amount of wheel is exposed towards the operator.
- Grinding wheels must be used only for recommended applications.
- Always use undamaged wheel flanges that are of correct size and shape for your selected wheel.
- Do not use grinding wheels intended for larger power tools.
- Do not apply excessive pressure on the workpiece with the grinding wheel. Do not force the power tool to cut excessively deep.
- When the wheel is stuck or when interrupting a cut for any reason, switch off the power tool and hold it motionless until the wheel comes to a complete stop. Never attempt to remove the cut-off wheel from the workpiece while the wheel is in motion otherwise kickback may occur.
- Ensure that the grinding wheel is not touching any surface before turning it on.
- Always let the grinding wheel reach full speed before attempting to cut with it.
- Make slow movements towards the workpiece while cutting.
- Supports must be placed under large workpieces and near their edges to minimize the risk of kickback.
- Use extra caution when cutting into walls or other areas where gas or water pipes may be hidden. Contact of the grinding wheel with a hidden gas or water pipe can cause kickback.

Kickback

Kickback can cause severe and even fatal accidents. Kickback occurs when the angle grinder grabs or jams on the workpiece when cutting. This causes the rotating accessory to rapidly stall and in turn causes the power tool to move in the direction opposite of the accessory's rotation. Kickback can cause the operator to lose control of the tool, and it can hit the worker or get dropped, causing foot and leg injuries.

Kickback is the result of power tool misuse and can be avoided by taking the proper precautions given below:

- Maintain a firm grip on the power tool and position your body and arm in such a way as to increase the degree of control you have on the power tool in case kickback occurs. Always use the auxiliary handle, if provided, for maximum control over kickback or torque reactions during start-up.
- Keep your hands away from the rotating accessory.
- Do not position your body in the area where the power tool will move if kickback occurs.
- Use special care when working corners, sharp edges etc.
- Do not attach a saw chain, woodcarving blade or toothed saw blade to the power tool.

Safety instructions for the battery pack

- Do not dismantle, open, smash or burn the battery pack.
- Do not short-circuit the battery pack. Do not store the battery pack inappropriately in a box or drawer where they may short-circuit each other or be short-circuited by conductive materials. When battery pack is not in use, keep it away from other metal objects, like paper clips, coins, keys, nails, screws or other small metal objects, that can make a connection from one terminal to another. Shorting the battery terminals together may cause burns or a fire.
- Do not expose the battery pack to sources of heat or fire.
- Avoid storage in direct sunlight.
- Do not subject the battery pack to mechanical shock.
- In the event of battery leaking, do not allow the liquid to come into contact with the skin or eyes. If contact has been made, wash the affected area with copious amounts of water and seek medical advice.
- Seek medical advice immediately if a battery pack has been swallowed.
- Keep the battery pack clean and dry.
- Wipe the battery pack terminals with a clean dry cloth if they become dirty.
- The battery pack needs to be charged before use.
- Use the correct charging procedure.
- After extended periods of storage, it may be necessary to charge and discharge the battery pack several times to obtain maximum performance.
- The battery pack performs optimally when it is operated at normal room temperature (20°C ± 5°C).
- Recharge only with the specified charger. Do not use any charger other than the one that is provided.
- Do not use any battery pack which is not designed for use with the equipment.
- Keep the battery pack out of the reach of children.
- Remove the battery from the equipment when not in use.
- Observe the plus (+) and minus (-) marks on the battery and ensure correct use.
- Make sure the battery is removed prior to changing accessories and before maintenance or repair work.

NOISE INFORMATION

Warning: Wear hearing protection.

A-weighted sound pressure	$L_{pA} = 77.7 \text{ dB(A)}$
A-weighted sound power	$L_{WA} = 88.7 \text{ dB(A)}$
$K_{pA} \text{ \& } K_{WA}$	3 dB(A)

VIBRATION INFORMATION

Warning: This power tool may cause hand-arm vibration syndrome if used frequently for extended periods of time without taking breaks regularly and if protective gloves are not worn.

Vibration total values (triaxial vector sum) determined according to EN 60745.

Vibration emission value $a_{h,AG}$ for main handle	5.74m/s ²
Vibration emission value $a_{h,AG}$ for auxiliary handle	6.87m/s ²
Uncertainty K	1.5m/s ²

Warning: The vibration emission values can differ from the aforementioned ones depending on how the power tool is used, the materials being cut and if:

- The tool is not in good condition and not well maintained.
- Accessories are used that do not match the tool.
- The grinding wheel or other rotating accessories are not sharp.
- Anti-vibration accessories are not used.
- The tool is not used as intended.

INTENDED USE

The machine is intended for cutting, roughing and brushing metal and stone materials without using water. For cutting metal, a special protection guard for cutting must be used.

ASSEMBLY AND OPERATION INSTRUCTIONS

Action	Figure
Before operation	
Removing the battery pack	Fig. A1
Charging the battery pack	Fig. A2
Installing the battery pack Warning: The grinding wheel must be completely still before you insert the battery pack	Fig. A3
Assembly	
Assembling the auxiliary handle	Fig. B
Assembling the grinding wheel/cutting disc	Fig. C1, C2, C3
Adjusting the wheel guard Attention: The protection guard must be mounted if working with a grinding wheel or cutting disc. Use the correct type of wheel/disc for each application. Open the clamping lever. Place the wheel guard into the groove on the spindle of the machine head and rotate to the required position. To fasten the wheel guard, close the clamping lever. The closed side of the wheel must always point to the operator.	Fig. D
Operation	
Using the ON/OFF switch	Fig. E
Variable speed control	Fig. F
Hand grip areas	Fig. G
Rough grinding Warning: Never use a cutting disc for roughing	
Cutting	Fig. H

TIPS FOR PROPER OPERATION

- While working, always maintain a 15-30 degree angle between the disc and the workpiece. Larger angles can damage the angle grinder.
- When using a cutting disc never change the cutting angle otherwise you will stall the disc and the angle grinder motor or break the disc. When cutting, only cut in the opposite direction to the disc's rotation.
- Diamond discs can be used for best results when cutting very hard materials.
- When using a diamond disc it may become very hot. If this happens you will see a full ring of sparks around the rotating disc. Stop cutting and allow the diamond disc to cool for 2-3 minutes.
- Always ensure the workpiece is firmly held or clamped to prevent it from moving.

MAINTENANCE

- Do not attempt to repair any parts of the machine on your own.
- Never use water or chemical cleaners to clean the power tool. Wipe clean with a dry cloth.
- Always store the power tool in a dry place.
- Keep the motor ventilation slots clean.
- Keep the power tool free of dust.
- Occasionally you may see sparks going through the ventilation slots. This is normal and will not damage the power tool.

TROUBLESHOOTING

- If the grinding wheel wobbles or vibrates, ensure that the outer flange is tight, check that the wheel is correctly located on the flange plate.
- If there is any evidence that the wheel is damaged, do not use as the damaged wheel may break and damage the operator. Remove it and replace with a new wheel.
- If working on aluminum or a similar soft alloy, the wheel will quickly become clogged and will not grind effectively.

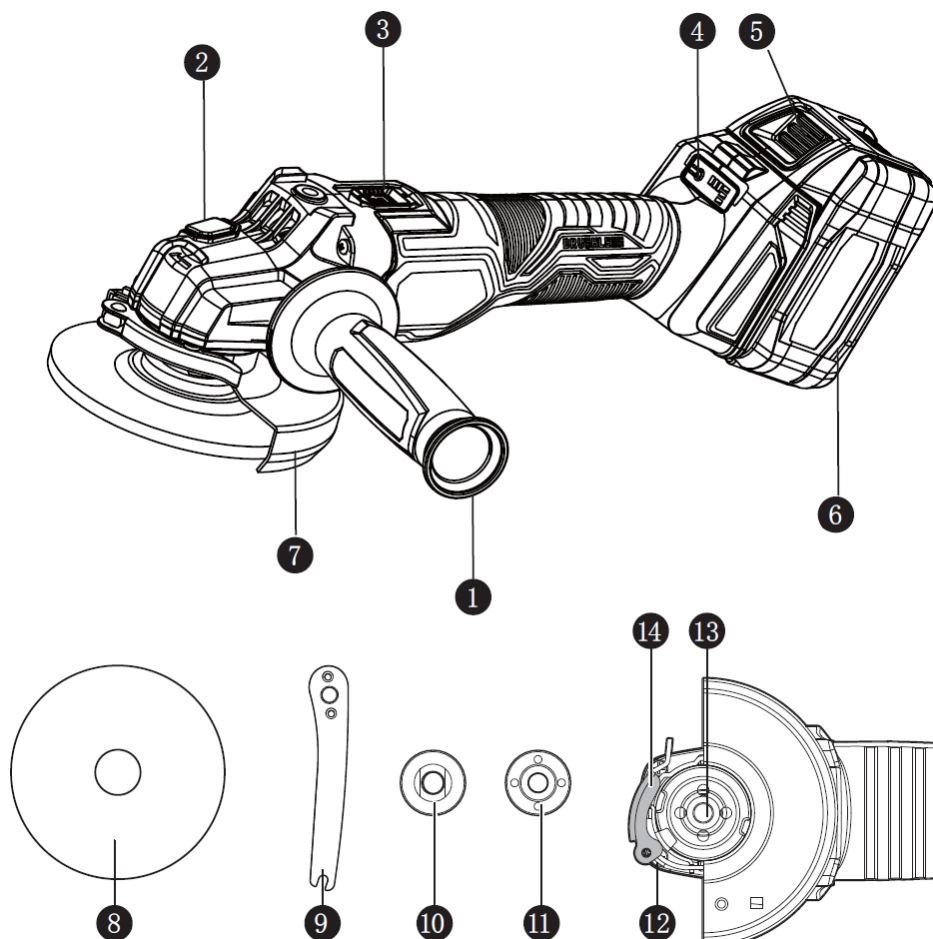
ENVIRONMENTAL DISPOSAL

In order to avoid damages on transportation, the tool has to be delivered in solid packaging. Packaging as well as the unit and accessories are made of recyclable materials and can be disposed accordingly. The tool's plastics components are marked according to their material, which makes it possible to remove environmental friendly and differentiated because of available collection facilities.

**Only for EU countries**

Do not dispose of electric tools together with household waste material!

In observance of European Directive 2002/96/EC on waste electrical and electronic equipment and its implementation in accordance with national law, electric tools that have reached the end of their life must be collected separately and returned to an environmentally compatible recycling facility.



- | | |
|--|--|
| 1. Poignée auxiliaire | 8. Disque |
| 2. Bouton de verrouillage de la broche | 9. Clé à molette |
| 3. Interrupteur ON/OFF | 10. Bride intérieure |
| 4. Contrôle de la vitesse variable | 11. Bride extérieure |
| 5. Bouton de libération de la batterie | 12. Erou de réglage de la pince |
| 6. Batterie | 13. Broche |
| 7. Protège-meule pour le meulage | 14. Levier de serrage de la protection |

SPÉCIFICATIONS

Données techniques	
Modèle	BCD2635
Tension	DC 18 V
Type de moteur	Sans balai
Vitesse à vide	3500/6000/8500 tr/min
Taille du disque	125mm
Filetage de l'arbre	M14
Caractéristiques	Fonction de démarrage progressif et de protection contre la déconnexion, changement sans outil de la protection du disque, protection métallique contre la poussière.
Comprend	1x poignée auxiliaire, 1x jeu de protections de disques, 1x clé, 1x pack de batteries 3.0Ah, 1x chargeur 2.0A avec fiche VDE, sac en tissu

* Le fabricant se réserve le droit d'apporter des modifications mineures à la conception et aux spécifications techniques des produits sans préavis, à moins que ces modifications n'affectent de manière significative les performances et la sécurité des produits. Les pièces décrites / illustrées dans les pages du manuel que vous tenez entre vos mains peuvent également concerner d'autres modèles de la gamme de produits du fabricant ayant des caractéristiques similaires et peuvent ne pas être incluses dans le produit que vous venez d'acquérir.

* Pour garantir la sécurité et la fiabilité du produit et la validité de la garantie, tous les travaux de réparation, d'inspection ou de remplacement, y compris l'entretien et les réglages spéciaux, doivent être effectués uniquement par des techniciens du service après-vente agréé du fabricant.

* Utilisez toujours le produit avec l'équipement fourni. L'utilisation du produit avec un équipement non fourni peut entraîner des dysfonctionnements, voire des blessures graves ou la mort. Le fabricant et l'importateur ne sont pas responsables des blessures et des dommages résultant de l'utilisation d'un équipement non conforme.

INSTRUCTIONS DE SÉCURITÉ

Attention : Lisez le manuel avant d'utiliser cet outil électrique. Le non-respect des avertissements et des instructions peut entraîner un choc électrique, un incendie et/ou des blessures graves. Après avoir lu le manuel, conservez-le dans un endroit sûr pour pouvoir le consulter ultérieurement.

Avertissements généraux sur la sécurité des outils électriques

Sécurité de la zone de travail

- Gardez la zone de travail propre et bien éclairée. Les zones sombres ou encombrées peuvent provoquer des accidents.
- N'utilisez pas d'outils électriques dans des atmosphères explosives, par exemple en présence de liquides ou de fumées inflammables, de gaz ou de poussière. Les outils électriques peuvent créer des étincelles ce qui pourrait enflammer les gaz ou les fumées.
- Maintenez les enfants et les passants à une distance sûre pendant l'utilisation de l'outil électrique.

Sécurité électrique

- Veillez à ce que les fiches des outils électriques correspondent à la prise de courant. Ne modifiez jamais la fiche de quelque façon que ce soit. N'utilisez pas de fiches d'adaptation avec des outils électriques mis à la terre. L'utilisation de fiches non modifiées et de prises adaptées réduira le risque de choc électrique.
- Évitez tout contact corporel avec des matériaux ou des objets mis à la terre, comme les radiateurs, les tuyaux, les cuisinières et les réfrigérateurs. Il y a un risque énorme de choc électrique si votre corps est mis à la terre ou relié à la masse.
- N'exposez pas les outils électriques à la pluie ou à toute autre condition humide. La pénétration d'eau dans un outil électrique peut augmenter le risque de choc électrique.
- Ne pas abuser du cordon d'alimentation. N'utilisez jamais le cordon pour porter, tirer ou débrancher l'outil électrique. Gardez le cordon à une distance sûre de la chaleur, de l'huile, des bords tranchants et de toute pièce mobile. Un cordon endommagé ou emmêlé augmente le risque de choc électrique.
- Lorsque vous utilisez un outil électrique à l'extérieur, utilisez une rallonge dont les spécifications sont adaptées à une utilisation en extérieur. L'utilisation d'une rallonge adaptée à une utilisation en extérieur réduit le risque de choc électrique.
- Si l'utilisation d'un outil électrique dans un endroit humide est inévitable, utilisez une alimentation protégée par un dispositif à courant différentiel résiduel (DDR). L'utilisation d'un tel dispositif réduit le risque de choc électrique.

Sécurité personnelle

- Restez vigilant, regardez ce que vous faites et faites preuve de bon sens lorsque vous utilisez l'outil électrique. N'utilisez pas l'outil électrique si vous vous sentez fatigué ou si vous êtes sous l'influence de l'alcool, de drogues ou de médicaments. Un moment d'inattention lors de l'utilisation de l'outil électrique peut entraîner des blessures graves.
- Utilisez un équipement de protection individuelle. Portez toujours des lunettes de protection. Des équipements de protection tels qu'un masque anti-poussière, une protection auditive, des chaussures de sécurité antidérapantes ou des casques de protection, utilisés dans des conditions appropriées, réduiront les blessures.
- Empêchez tout démarrage involontaire. Assurez-vous que l'interrupteur est en position d'arrêt avant de brancher l'outil à une source d'alimentation et/ou au bloc-piles, de le prendre ou de le transporter. Le fait de transporter des outils électriques avec le doigt sur l'interrupteur ou de connecter des outils électriques dont l'interrupteur est en position marche à une source d'alimentation peut entraîner des accidents.
- Retirez toute clé de réglage ou clé à molette avant de mettre l'outil électrique en marche. Une clé de réglage ou une clé à molette laissée attachée à une partie rotative de l'outil électrique peut entraîner des blessures corporelles.
- Ne vous penchez pas trop. Gardez l'équilibre et une bonne assise à tout moment. Cela permet à l'opérateur de mieux contrôler l'outil électrique dans des situations inattendues.
- Habillez-vous correctement. Ne portez pas de vêtements amples ni de bijoux. Gardez vos cheveux, vos vêtements et vos gants à l'écart des pièces mobiles. Les vêtements amples, les bijoux et/ou les cheveux longs peuvent être happés par les pièces en mouvement.

Utilisation et entretien des outils électriques

- Ne forcez pas sur l'outil électrique. Utilisez le bon outil électrique pour chaque application. L'outil électrique approprié fera toujours le travail mieux et de manière plus sûre s'il est utilisé comme prévu.
- N'utilisez pas l'outil électrique si l'interrupteur ne permet pas de l'activer ou de le désactiver. Tout outil électrique qui ne peut pas être contrôlé avec l'interrupteur est extrêmement dangereux et doit être réparé.
- Débranchez la fiche principale de la source d'alimentation et/ou le bloc-piles de l'outil électrique avant de changer d'accessoire, d'effectuer des réglages ou de ranger l'outil électrique. Ces mesures de sécurité préventives réduiront le risque de démarrage accidentel de l'outil électrique.
- Lorsque l'outil électrique n'est pas utilisé, rangez-le hors de portée des enfants et ne laissez pas des personnes non familiarisées avec l'outil électrique ou ces instructions utiliser et faire fonctionner l'outil électrique. Les outils électriques sont extrêmement dangereux entre les mains d'utilisateurs non formés.
- Entretenez l'outil électrique. Vérifiez que les pièces mobiles ne sont pas mal alignées, qu'elles ne sont pas coincées, qu'elles ne sont pas cassées, qu'il n'y a pas de fuite ou tout autre problème qui pourrait affecter le fonctionnement de l'outil électrique. En cas de dommage, faites réparer l'outil électrique avant de l'utiliser. De nombreux accidents et blessures sont causés par des outils électriques mal entretenus.
- Maintenez les parties coupantes de l'outil électrique affûtées et propres. Des outils de coupe correctement entretenus et dotés de bords tranchants sont moins susceptibles de se bloquer et sont plus précis et plus faciles à contrôler.
- Utilisez toujours l'outil électrique, les accessoires et les embouts, etc. conformément aux instructions de ce manuel d'instructions, en tenant compte des conditions de travail et du travail à effectuer. L'utilisation de l'outil électrique pour des applications différentes de celles prévues peut entraîner des blessures corporelles ou endommager l'outil électrique.
- Gardez les poignées et les surfaces de préhension de l'outil électrique sèches, propres et exemptes d'huile et de graisse. Des poignées et des surfaces de préhension glissantes ne permettent pas de une manipulation sûre de l'outil dans des circonstances inattendues.

Utilisation et entretien des outils à piles

- Rechargez les batteries uniquement avec le chargeur spécifié par le fabricant. Un chargeur utilisé pour charger des batteries inadaptées peut créer un risque d'incendie.
- N'utilisez l'outil électrique qu'avec les blocs de batteries spécifiquement désignés. L'utilisation de tout autre bloc de batteries peut entraîner un risque de blessure et d'incendie.
- Lorsque le bloc-piles n'est pas utilisé, tenez-le à l'écart d'autres objets métalliques, comme des trombones, des pièces de monnaie, des clés, des clous, des vis ou d'autres petits objets métalliques qui peuvent établir une connexion d'une borne à l'autre.
- La mise en court-circuit des bornes de la batterie peut provoquer des brûlures ou un incendie.
- Dans des conditions abusives, du liquide peut être éjecté de la batterie ; évitez tout contact.
- En cas de contact accidentel, rincer à l'eau. Si le liquide entre en contact avec les yeux, consultez immédiatement un médecin. Le liquide éjecté de la batterie peut provoquer des irritations ou des brûlures.

Service

- Faites réparer l'outil électrique par un personnel qualifié, en utilisant uniquement des pièces de rechange identiques. Cela permet de garantir la sécurité de l'outil électrique.
- N'essayez jamais de réparer vous-même des blocs de batteries endommagés. L'entretien des blocs de batteries ne doit être effectué que par le fabricant ou des techniciens de service agréés.

Consignes de sécurité pour les meuleuses d'angle

- Cet outil électrique est destiné à fonctionner comme une meuleuse ou un outil de tronçonnage.
- Les opérations telles que le ponçage, le broissage métallique, le polissage ne sont pas recommandées avec cet outil électrique. L'utilisation de l'outil électrique pour effectuer des tâches autres que celles pour lesquelles il est conçu peut créer un danger et causer des blessures.
- N'utilisez pas d'accessoires qui ne sont pas spécifiquement conçus et recommandés par le fabricant de l'outil. La sécurité du fonctionnement n'est pas assurée simplement parce qu'un accessoire peut être fixé à l'outil électrique.
- La vitesse nominale de l'accessoire doit être au moins égale à la vitesse maximale indiquée sur l'outil électrique. Les accessoires fonctionnant à une vitesse supérieure à leur vitesse nominale peuvent se briser et être éjectés de l'outil.
- Le diamètre extérieur et l'épaisseur d'un accessoire donné doivent être conformes à la capacité nominale de l'outil électrique. Les accessoires mal dimensionnés ne peuvent pas être protégés ou contrôlés de manière adéquate.
- Le montage fileté des accessoires doit correspondre au filetage de la broche de la meuleuse. Pour les accessoires montés par des brides, le trou du mandrin de l'accessoire doit correspondre au diamètre de positionnement de la bride. Les accessoires qui ne correspondent pas au matériel de montage de l'outil électrique vibreront de manière excessive et peuvent entraîner une perte de contrôle.
- N'utilisez pas un accessoire endommagé. Avant chaque utilisation, inspectez l'accessoire, par exemple les meules pour vérifier qu'il n'y a pas de copeaux ou de fissures, le tampon de support pour vérifier qu'il n'y a pas de fissures, de déchirures ou d'usure excessive, la brosse métallique pour vérifier que les fils ne sont pas lâches ou fissurés. Si l'outil électrique ou l'accessoire tombe, vérifiez qu'il n'est pas endommagé ou installez un accessoire intact. Après avoir inspecté et installé un accessoire, placez-vous à l'écart de la pièce en mouvement, assurez-vous que les personnes présentes sont à une distance sûre de la pièce en mouvement, puis faites fonctionner l'outil électrique à la vitesse maximale sans charge pendant une minute.
- Les accessoires endommagés se briseront normalement pendant ce temps d'essai.
- Porter un équipement de protection individuelle. Selon l'application, utiliser un écran facial, des lunettes de protection ou des lunettes de sécurité. Le cas échéant, portez un masque anti-poussière, des protections auditives, des gants et des vêtements de protection capables d'arrêter les petits fragments d'abrasifs ou de pièces. La protection oculaire doit être capable d'arrêter les débris volants générés pendant le fonctionnement. Le masque anti-poussière ou le respirateur doit être capable de filtrer les particules générées pendant le travail. Une exposition prolongée à un bruit de forte intensité peut entraîner une perte d'audition.
- Maintenez les badauds à une distance sûre de la zone de travail. Toute personne entrant dans la zone de travail doit porter un équipement de protection individuelle.
- Les fragments d'une pièce ou d'un accessoire cassé peuvent être éjectés à grande vitesse et causer des blessures au-delà de la zone d'utilisation immédiate.
- Tenez l'outil électrique uniquement par les surfaces de préhension isolées. Le contact avec un fil "sous tension" rendra également "sous tension" les parties métalliques exposées de l'outil électrique et pourrait donner un choc électrique à l'opérateur.
- Ne posez jamais l'outil électrique avant l'arrêt complet de l'accessoire. L'opérateur peut perdre le contrôle de l'outil électrique si l'accessoire en rotation touche le sol.
- Ne faites pas fonctionner l'outil électrique en le portant à votre côté. Un contact accidentel avec l'accessoire en rotation pourrait accrocher vos vêtements, entraînant l'accessoire dans votre corps.
- Nettoyez régulièrement les orifices d'aération de l'outil électrique. Le ventilateur du moteur aspirera la poussière à l'intérieur du boîtier et l'accumulation excessive de métal en poudre peut entraîner des risques électriques.
- N'utilisez pas l'outil électrique à proximité de matériaux inflammables. Des étincelles pourraient enflammer ces matériaux.
- N'utilisez pas d'accessoires nécessitant des liquides de refroidissement. L'utilisation d'eau ou d'autres liquides de refroidissement peut entraîner une électrocution ou un choc.
- Pendant l'utilisation, saisissez la poignée. Utilisez toujours les poignées auxiliaires fournies avec l'outil. La perte de contrôle peut entraîner des blessures corporelles.
- N'utilisez que des meules recommandées pour l'outil électrique et le protecteur spécifique conçu pour la meule sélectionnée.
- La protection doit être solidement fixée à l'outil électrique et positionnée de manière à maximiser la sécurité, de sorte que le moins de roue possible soit exposée en direction de l'opérateur.
- Les meules ne doivent être utilisées que pour les applications recommandées.
- Utilisez toujours des flasques de roue non endommagés, de taille et de forme correctes pour la roue choisie.
- N'utilisez pas de meules destinées à des outils électriques plus grands.
- N'exercez pas une pression excessive sur la pièce avec la meule. Ne forcez pas l'outil électrique à couper trop profondément.
- Lorsque la meule est bloquée ou lorsque vous interrompez une coupe pour une raison quelconque, éteignez l'outil électrique et maintenez-le immobile jusqu'à ce que la meule s'arrête complètement. N'essayez jamais de retirer la meule de tronçonnage de la pièce à usiner pendant que la meule est en mouvement, sinon un rebond peut se produire.
- Assurez-vous que la meule ne touche aucune surface avant de la mettre en marche.
- Laissez toujours la meule atteindre sa vitesse maximale avant de tenter de couper avec elle.
- Faites des mouvements lents vers la pièce pendant la coupe.
- Les supports doivent être placés sous les grandes pièces et près de leurs bords pour minimiser le risque de rebond.
- Soyez très prudent lorsque vous coupez dans des murs ou d'autres zones où des tuyaux de gaz ou d'eau peuvent être cachés. Le contact de la meule avec un tuyau caché de gaz ou d'eau peut provoquer un rebond.

Rebond

Le rebond peut provoquer des accidents graves, voire mortels. Le rebond se produit lorsque la meuleuse d'angle s'agrippe ou se bloque sur la pièce lors de la coupe. L'accessoire en rotation se bloque alors rapidement, ce qui entraîne le déplacement de l'outil électrique dans le sens inverse de la rotation de l'accessoire. Le rebond peut faire perdre à l'opérateur le contrôle de l'outil, et celui-ci peut heurter le travailleur ou tomber, provoquant des blessures aux pieds et aux jambes. Le rebond est le résultat d'une mauvaise utilisation de l'outil électrique et peut être évité en prenant les précautions appropriées indiquées ci-dessous :

- Maintenez une prise ferme sur l'outil électrique et positionnez votre corps et votre bras de manière à augmenter le degré de contrôle que vous avez sur l'outil électrique en cas de rebond. Utilisez toujours la poignée auxiliaire, si elle est fournie, pour un contrôle maximal du rebond ou des réactions de couple lors du démarrage.
- Gardez vos mains éloignées de l'accessoire en rotation.
- Ne placez pas votre corps dans la zone où l'outil électrique se déplacera en cas de rebond.
- Soyez particulièrement prudent lorsque vous travaillez dans des coins, sur des arêtes vives, etc.
- Ne fixez pas de chaîne de scie, de lame de sculpture sur bois ou de lame de scie dentée sur l'outil électrique.

Consignes de sécurité pour le bloc-piles

- Ne démontez pas, n'ouvrez pas, ne brisez pas et ne brûlez pas le bloc-piles.
- Ne court-circuitez pas le bloc-piles. Ne rangez pas le bloc-piles de façon inappropriée dans une boîte ou un tiroir où ils pourraient se court-circuiter entre eux ou être court-circuités par des matériaux conducteurs. Lorsque le bloc-piles n'est pas utilisé, tenez-le à l'écart d'autres objets métalliques, comme des trombones, des pièces de monnaie, des clés, des clous, des vis ou d'autres petits objets métalliques, qui peuvent établir une connexion d'une borne à l'autre. La mise en court-circuit des bornes de la batterie peut provoquer des brûlures ou un incendie.
- N'exposez pas le bloc-piles à des sources de chaleur ou au feu.
- Évitez le stockage à la lumière directe du soleil.
- Ne soumettez pas le bloc-piles à des chocs mécaniques.
- En cas de fuite de la batterie, ne laissez pas le liquide entrer en contact avec la peau ou les yeux. En cas de contact, laver la zone touchée avec de grandes quantités d'eau et consulter un médecin.
- Consultez immédiatement un médecin si vous avez avalé un bloc-piles.
- Gardez le bloc-piles propre et sec.
- Essuyez les bornes du bloc-piles avec un chiffon propre et sec si elles sont sales.
- Le bloc-piles doit être chargé avant d'être utilisé.
- Utilisez la procédure de charge correcte.
- Après des périodes de stockage prolongées, il peut être nécessaire de charger et de décharger le bloc-piles plusieurs fois pour obtenir des performances maximales.
- Le bloc-piles fonctionne de manière optimale lorsqu'il est utilisé à une température ambiante normale (20°C ± 5°C).
- Rechargez uniquement avec le chargeur spécifié. N'utilisez pas d'autre chargeur que celui qui est fourni.
- N'utilisez pas de batterie qui n'est pas conçue pour être utilisée avec l'équipement.
- Gardez le bloc-piles hors de la portée des enfants.
- Retirez la batterie de l'appareil lorsqu'il n'est pas utilisé.
- Respectez les marques plus (+) et moins (-) de la batterie et assurez-vous de son utilisation correcte.
- Assurez-vous que la batterie est retirée avant de changer d'accessoire et avant toute opération d'entretien ou de réparation.

INFORMATIONS SUR LE BRUIT

Avertissement : Portez une protection auditive.

Pression acoustique pondérée A	$L_{pA} = 77,7 \text{ dB(A)}$
Puissance acoustique pondérée A	$L_{wA} = 88,7 \text{ dB(A)}$
$K_{pA} \& K_{wA}$	3 dB(A)

INFORMATIONS SUR LES VIBRATIONS

Avertissement : Cet outil électrique peut provoquer le syndrome de vibration main-bras s'il est utilisé fréquemment pendant de longues périodes sans faire de pauses régulières et si des gants de protection ne sont pas portés.

Valeurs totales des vibrations (somme des vecteurs triaxiaux) déterminées selon la norme EN 60745.

Valeur d'émission de vibrations $a_{h,AG}$ pour la poignée principale	5,74m/s ²
Valeur d'émission de vibrations $a_{h,AG}$ pour la poignée auxiliaire	6,87m/s ²
Incertitude K	1,5m/s ²

Avertissement : Les valeurs d'émission de vibrations peuvent différer de celles mentionnées ci-dessus en fonction de la façon dont l'outil électrique est utilisé, des matériaux coupés et si :

- L'outil n'est pas en bon état et n'est pas bien entretenu.
- Des accessoires sont utilisés qui ne correspondent pas à l'outil.
- La meule ou les autres accessoires rotatifs ne sont pas tranchants.
- Les accessoires anti-vibration ne sont pas utilisés.
- L'outil n'est pas utilisé comme prévu.

UTILISATION PRÉVUE

Cette machine est destinée à couper, dégrossir et brosser des matériaux en métal et en pierre sans utiliser d'eau. Pour la découpe du métal, il faut utiliser un protecteur spécial pour la découpe.

INSTRUCTIONS DE MONTAGE ET DE FONCTIONNEMENT

Action	Figure
Avant l'opération	
Retrait de la batterie	Fig. A1
Chargement de la batterie	Fig. A2
Installation de la batterie Avertissement : La meule doit être complètement immobile avant d'insérer le bloc-piles.	Fig. A3
Montage	
Assemblage de la poignée auxiliaire	Fig. B
Assemblage de la meule/du disque de coupe	Fig. C1, C2, C3
Réglage de la protection des roues Attention : La protection doit être montée si vous travaillez avec une meule ou un disque de coupe. Utilisez le type de meule/disque correct pour chaque application. Ouvrez le levier de serrage. Placez la protection de la roue dans la rainure de la broche de la tête de la machine et faites-la tourner jusqu'à la position requise. Pour fixer le protège-roue, fermez le levier de serrage. Le côté fermé de la roue doit toujours être dirigé vers l'opérateur.	Fig. D
Opération	
Utilisation de l'interrupteur ON/OFF	Fig. E
Contrôle de la vitesse variable	Fig. F
Zones de prise en main	Fig. G
Meulage grossier Avertissement : Ne jamais utiliser un disque de coupe pour dégrossir	
Découpage	Fig. H

CONSEILS POUR UN BON FONCTIONNEMENT

- Pendant le travail, maintenez toujours un angle de 15 à 30 degrés entre le disque et la pièce à travailler. Des angles plus importants peuvent endommager la meuleuse d'angle.
- Lorsque vous utilisez un disque de coupe, ne changez jamais l'angle de coupe, sinon vous ferez caler le disque et le moteur de la meuleuse d'angle ou vous casserez le disque. Lors de la coupe, ne coupez que dans le sens inverse de la rotation du disque.
- Les disques diamantés peuvent être utilisés pour obtenir les meilleurs résultats lors de la découpe de matériaux très durs.
- Lors de l'utilisation d'un disque diamant, celui-ci peut devenir très chaud. Dans ce cas, vous verrez un anneau complet d'étincelles autour du disque en rotation. Arrêtez de couper et laissez le disque diamant pour refroidir pendant 2-3 minutes.
- Assurez-vous toujours que la pièce est fermement maintenue ou serrée pour l'empêcher de bouger.

ENTRETIEN

- N'essayez pas de réparer vous-même les pièces de la machine.
- N'utilisez jamais d'eau ou de nettoyants chimiques pour nettoyer l'outil électrique. Nettoyez-le à l'aide d'un chiffon sec.
- Rangez toujours l'outil électrique dans un endroit sec.
- Maintenez les fentes de ventilation du moteur propres.
- Gardez l'outil électrique exempt de poussière.
- De temps en temps, vous pouvez voir des étincelles passer par les fentes de ventilation. Ce phénomène est normal et n'endommagera pas l'outil électrique.

DÉPANNAGE

- Si la meule oscille ou vibre, assurez-vous que la bride extérieure est bien serrée, vérifiez que la meule est correctement placée sur la plaque de la bride.
- Si vous constatez que la roue est endommagée, ne l'utilisez pas car elle pourrait se briser et endommager l'opérateur. Retirez-la et remplacez-la par une nouvelle roue.
- Si vous travaillez sur de l'aluminium ou un alliage tendre similaire, la meule s'encrassera rapidement et ne pourra pas meuler efficacement.

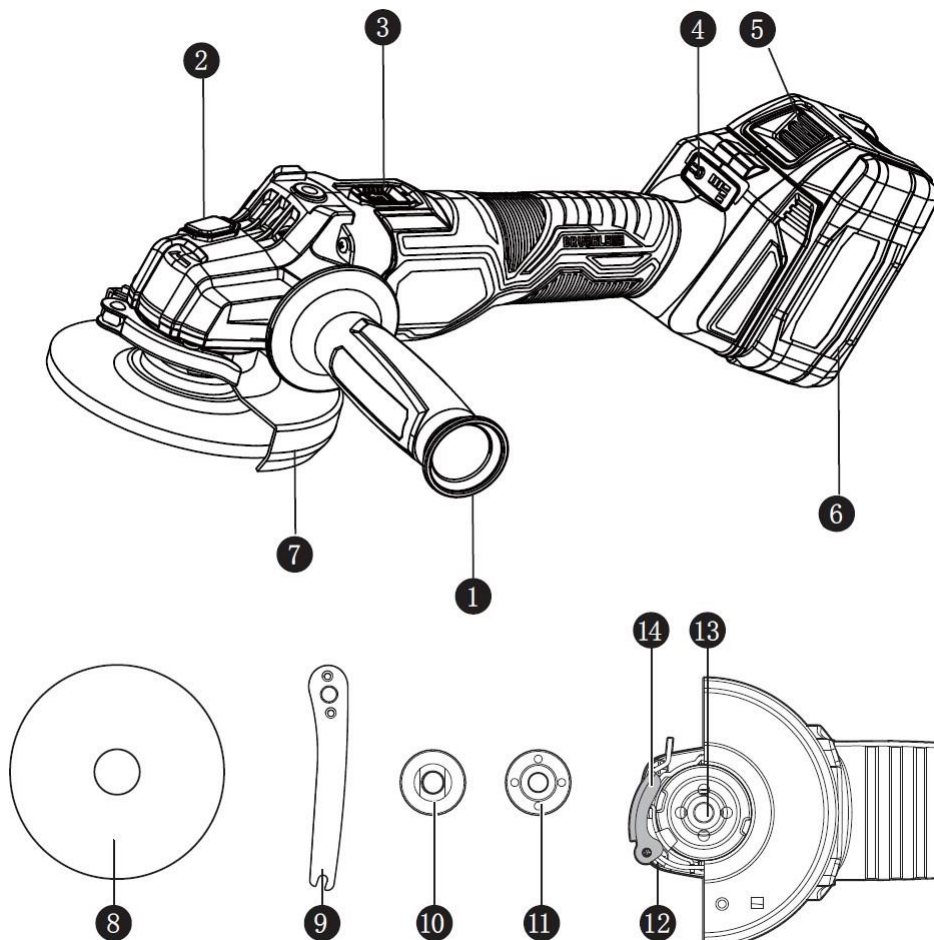
ÉLIMINATION ENVIRONNEMENTALE

Afin d'éviter tout dommage pendant le transport, l'outil doit être livré dans un emballage solide. L'emballage ainsi que l'appareil et les accessoires sont fabriqués en matériaux recyclables et peuvent être éliminés en conséquence. Les composants en plastique de l'outil sont marqués en fonction de leur matériau, ce qui permet d'éliminer les déchets écologiques et différenciés grâce aux installations de collecte disponibles.

**Uniquement pour les pays de l'UE**

Ne pas jeter les outils électriques avec les déchets ménagers !

Conformément à la directive européenne 2002/96/CE relative aux déchets d'équipements électriques et électroniques et à sa mise en œuvre conformément à la législation nationale, les outils électriques arrivés en fin de vie doivent être collectés séparément et remis à une installation de recyclage compatible avec l'environnement.



- | | |
|--|---|
| 1. Maniglia ausiliaria | 8. Disco |
| 2. Pulsante di blocco del mandrino | 9. Chiave inglese |
| 3. Interruttore ON/OFF | 10. Flangia interna |
| 4. Controllo a velocità variabile | 11. Flangia esterna |
| 5. Pulsante di rilascio del pacco batteria | 12. Dado di regolazione del morsetto |
| 6. Pacco batteria | 13. Mandrino |
| 7. Protezione della ruota per la rettifica | 14. Leva di bloccaggio della protezione |

SPECIFICHE

Dati tecnici	
Modello	BCD2635
Tensione	DC 18 V
Tipo di motore	Senza spazzole
Velocità a vuoto	3500/6000/8500 giri/min
Dimensioni del disco	125 mm
Filettatura dell'albero	M14
Caratteristiche	Funzione di avvio graduale e di protezione dalla disconnessione, cambio della protezione del disco senza utensili, protezione antipolvere in metallo
Include	1x impugnatura ausiliaria, 1x set di protezione del disco, 1x chiave, 1x batteria da 3,0Ah, 1x caricatore da 2,0A con spina VDE, borsa in tessuto

* Il produttore si riserva il diritto di apportare modifiche minori al design e alle specifiche tecniche del prodotto senza preavviso, a meno che tali modifiche non influiscano significativamente sulle prestazioni e sulla sicurezza dei prodotti. Le parti descritte/illustrate nelle pagine del manuale che avete tra le mani possono riguardare anche altri modelli della linea di prodotti del produttore con caratteristiche simili e potrebbero non essere incluse nel prodotto appena acquistato.

* Per garantire la sicurezza e l'affidabilità del prodotto e la validità della garanzia, tutti gli interventi di riparazione, ispezione o sostituzione, compresa la manutenzione e le regolazioni speciali, devono essere eseguiti esclusivamente da tecnici del servizio di assistenza autorizzato dal produttore.

* Utilizzare sempre il prodotto con l'attrezzatura fornita. L'utilizzo del prodotto con apparecchiature non in dotazione può causare malfunzionamenti o addirittura lesioni gravi o morte. Il produttore e l'importatore non sono responsabili per lesioni e danni derivanti dall'uso di apparecchiature non conformi.

ISTRUZIONI DI SICUREZZA

Attenzione: Leggere il manuale prima di utilizzare questo elettroutensile. La mancata osservanza delle avvertenze e delle istruzioni può provocare scosse elettriche, incendi e/o gravi lesioni. Dopo aver letto il manuale, conservarlo in un luogo sicuro per future consultazioni.

Avvertenze generali sulla sicurezza degli utensili elettrici

Sicurezza dell'area di lavoro

- Mantenere l'area di lavoro pulita e ben illuminata. Aree buie o disordinate possono causare incidenti.
- Non utilizzare gli utensili elettrici in atmosfere esplosive, ad esempio in presenza di liquidi o fumi infiammabili, gas o polveri. Gli utensili elettrici possono creare scintille che possono incendiare i gas o i fumi.
- Tenere i bambini e gli astanti a distanza di sicurezza durante l'uso dell'elettroutensile.

Sicurezza elettrica

- Assicurarsi che le spine degli utensili elettrici corrispondano alla presa di corrente. Non modificare mai la spina in alcun modo. Non utilizzare spine adattatrici con utensili elettrici dotati di messa a terra. L'uso di spine non modificate e di prese corrispondenti riduce il rischio di scosse elettriche.
- Evitare il contatto del corpo con materiali o oggetti collegati a terra, come radiatori, tubi, cucine e frigoriferi. Il rischio di scosse elettriche è molto elevato se il corpo è collegato a terra.
- Non esporre gli utensili elettrici alla pioggia o ad altre condizioni di umidità. L'ingresso di acqua in un elettroutensile può aumentare il rischio di scosse elettriche.
- Non abusare del cavo di alimentazione. Non utilizzare mai il cavo per trasportare, tirare o scollegare l'utensile elettrico. Tenere il cavo a distanza di sicurezza da calore, olio, bordi taglienti e parti in movimento. I cavi danneggiati o aggrovigliati aumentano il rischio di scosse elettriche.
- Quando si utilizza un utensile elettrico all'aperto, utilizzare un cavo di prolunga con le specifiche adeguate per l'uso all'aperto. L'uso di una prolunga Il cavo adatto all'uso esterno riduce il rischio di scosse elettriche.
- Se l'utilizzo di un utensile elettrico in un luogo umido è inevitabile, utilizzare un'alimentazione protetta da interruttore differenziale (salvavita). L'uso di un interruttore differenziale riduce il rischio di scosse elettriche.

Sicurezza personale

- Rimanere vigili, fare attenzione a ciò che si fa e usare il buon senso quando si utilizza l'elettroutensile. Non utilizzare l'elettroutensile in caso di stanchezza o sotto l'effetto di alcol, droghe o farmaci. Un momento di disattenzione durante l'uso dell'elettroutensile può causare gravi lesioni personali.
- Utilizzare dispositivi di protezione personale. Indossare sempre una protezione per gli occhi. Dispositivi di protezione come maschere antipolvere, protezioni per l'udito, scarpe di sicurezza antiscivolo o caschi protettivi, utilizzati in condizioni adeguate, ridurranno le lesioni personali.
- Prevenire l'avviamento involontario. Assicurarsi che l'interruttore di alimentazione sia in posizione off prima di collegare l'utensile alla fonte di alimentazione e/o alla batteria, di sollevarlo o di trasportarlo. Il trasporto di utensili elettrici con il dito sull'interruttore di alimentazione o il collegamento di utensili elettrici con l'interruttore in posizione di accensione a una fonte di alimentazione possono causare incidenti.
- Prima di accendere l'elettroutensile, rimuovere le chiavi di regolazione o le chiavi inglesi. Una chiave di regolazione o una chiave lasciata attaccata ad una parte rotante dell'elettroutensile può provocare lesioni personali.
- Non sporgersi eccessivamente. Mantenere sempre l'equilibrio e l'appoggio corretto. Questo aiuta l'operatore a controllare meglio l'elettroutensile in situazioni impreviste.
- Vestirsi in modo adeguato. Non indossare abiti larghi o gioielli. Tenere i capelli, gli indumenti e i guanti lontani dalle parti in movimento. Vestiti larghi, gioielli e/o capelli lunghi possono impigliarsi nelle parti in movimento.

Uso e cura degli elettroutensili

- Non forzare l'elettroutensile. Utilizzare l'elettroutensile corretto per ogni applicazione. L'elettroutensile corretto svolge sempre il lavoro in modo migliore e più sicuro se utilizzato come previsto.
- Non utilizzare l'elettroutensile se l'interruttore non lo attiva o lo disattiva. Qualsiasi utensile elettrico che non può essere controllato con l'interruttore è estremamente pericoloso e deve essere riparato.
- Scollegare la spina principale dalla fonte di alimentazione e/o il pacco batteria dall'elettroutensile prima di cambiare gli accessori, effettuare regolazioni o riporre l'elettroutensile. Queste misure di sicurezza preventive riducono il rischio di avviamento accidentale dell'elettroutensile.
- Quando l'elettroutensile non è in uso, riporlo fuori dalla portata dei bambini e non permettere a persone che non conoscono l'elettroutensile o le presenti istruzioni di utilizzarlo e farlo funzionare. Gli utensili elettrici sono estremamente pericolosi nelle mani di utenti non addestrati.
- Manutenzione dell'elettroutensile. Controllare che non vi siano disallineamenti o legature delle parti mobili, rotture di parti, perdite e qualsiasi altro problema che possa influire sul funzionamento dell'elettroutensile. Se danneggiato, far riparare l'elettroutensile prima dell'uso. Molti incidenti e infortuni sono causati da una cattiva manutenzione degli utensili elettrici.
- Mantenere le parti taglienti dell'elettroutensile affilate e pulite. Gli utensili da taglio sottoposti a una corretta manutenzione e dotati di taglienti affilati hanno minori probabilità di legarsi e sono più precisi e facili da controllare.
- Utilizzare sempre l'elettroutensile, gli accessori e le punte per utensili ecc. in conformità alle istruzioni del presente manuale, tenendo conto delle condizioni di lavoro e dell'attività da svolgere. L'uso dell'elettroutensile per applicazioni diverse da quelle previste potrebbe causare lesioni personali o danni all'elettroutensile.
- Mantenere le impugnature e le superfici di presa dell'elettroutensile asciutte, pulite e prive di olio e grasso. Le impugnature e le superfici di presa scivolose non consentono di maneggiare l'utensile in modo sicuro in circostanze impreviste.

Uso e cura della batteria

- Ricaricare le batterie solo con il caricabatterie specificato dal produttore. Un caricabatterie utilizzato per caricare batterie non adatte può creare un rischio di incendio.
- Utilizzare l'elettroutensile solo con le batterie specificatamente indicate. L'uso di altri pacchi batteria può comportare il rischio di lesioni e incendi.
- Quando il pacco batteria non è in uso, tenerlo lontano da altri oggetti metallici, come graffette, monete, chiavi, chiodi, viti o altri piccoli oggetti metallici che possono creare un collegamento da un terminale all'altro.
- Il cortocircuito dei terminali della batteria può causare ustioni o incendi.
- In caso di condizioni difficili, dalla batteria può fuoriuscire del liquido; evitare il contatto.
- In caso di contatto accidentale, sciacquare con acqua. Se il liquido entra in contatto con gli occhi, rivolgersi immediatamente a un medico. Il liquido espulso dalla batteria può causare irritazioni o ustioni.

Servizio

- Far riparare l'elettrotensile da personale qualificato, utilizzando solo parti di ricambio identiche. In questo modo si garantisce la sicurezza dell'elettrotensile.
- Non tentare mai di riparare da soli i pacchi batteria danneggiati. La manutenzione dei pacchi batteria deve essere eseguita solo dal produttore o da tecnici autorizzati.

Istruzioni di sicurezza per le smerigliatrici angolari

- Questo elettrotensile è destinato a funzionare come smerigliatrice o utensile da taglio.
- Operazioni come la levigatura, la spazzolatura a filo e la lucidatura non sono consigliate con questo elettrotensile. L'uso dell'elettrotensile per eseguire compiti diversi da quelli per cui è stato concepito può creare un pericolo e causare lesioni personali.
- Non utilizzare accessori non specificamente progettati e raccomandati dal produttore dell'utensile. La sicurezza di funzionamento non è garantita solo dal fatto che un accessorio può essere collegato all'utensile elettrico.
- La velocità nominale dell'accessorio deve essere almeno pari alla velocità massima indicata sull'utensile elettrico. Gli accessori che funzionano a una velocità superiore a quella nominale possono rompersi ed essere espulsi dall'utensile.
- Il diametro esterno e lo spessore di ogni accessorio devono rientrare nella portata dell'elettrotensile. Gli accessori non correttamente dimensionati non possono essere adeguatamente protetti o controllati.
- Il montaggio filettato degli accessori deve corrispondere alla filettatura del mandrino della smerigliatrice. Per gli accessori montati su flange, il foro del braccio dell'accessorio deve corrispondere al diametro di posizionamento della flangia. Gli accessori che non corrispondono alla ferramenta di montaggio dell'elettrotensile vibrano eccessivamente e possono causare la perdita di controllo.
- Non utilizzare un accessorio danneggiato. Prima di ogni utilizzo, ispezionare l'accessorio, ad esempio le ruote abrasive per verificare la presenza di schegge e crepe, il platorello per verificare la presenza di crepe, strappi o usura eccessiva, la spazzola metallica per verificare la presenza di fili allentati o incrinati. In caso di caduta dell'elettrotensile o dell'accessorio, verificare che non vi siano danni o installare un accessorio non danneggiato. Dopo aver ispezionato e installato un accessorio, posizionarsi lontano dalla parte in movimento, assicurarsi che gli astanti siano a distanza di sicurezza dalla parte in movimento e quindi far funzionare l'elettrotensile alla massima velocità a vuoto per un minuto.
- Gli accessori danneggiati si rompono normalmente durante questo periodo di prova.
- Indossare i dispositivi di protezione individuale. A seconda dell'applicazione, utilizzare una protezione per il viso, occhiali di sicurezza o occhiali di sicurezza. Se necessario, indossare una maschera antipolvere, protezioni per l'udito, guanti e indumenti protettivi in grado di bloccare piccoli frammenti di abrasivo o di pezzo. La protezione degli occhi deve essere in grado di bloccare i detriti volanti generati durante il funzionamento. La maschera antipolvere o il respiratore devono essere in grado di filtrare le particelle generate durante l'operazione. L'esposizione prolungata a rumori di elevata intensità può causare la perdita dell'udito.
- Tenere gli astanti a distanza di sicurezza dall'area di lavoro. Chiunque entri nell'area di lavoro deve indossare i dispositivi di protezione individuale.
- I frammenti di un pezzo o di un accessorio rotto possono essere espulsi ad alta velocità e causare lesioni al di fuori dell'area di lavoro.
- Tenere l'elettrotensile solo dalle superfici di presa isolate. Il contatto con un filo "sotto tensione" renderà "sotto tensione" anche le parti metalliche esposte dell'elettrotensile e potrebbe provocare una scossa elettrica all'operatore.
- Non posare mai l'elettrotensile prima che l'accessorio si sia completamente fermato. L'operatore potrebbe perdere il controllo dell'elettrotensile a causa del contatto dell'accessorio in rotazione con il terreno.
- Non utilizzare l'elettrotensile mentre lo si porta al fianco. Un contatto accidentale con l'accessorio rotante potrebbe impigliare i vostri indumenti, trascinando l'accessorio nel vostro corpo.
- Pulire regolarmente le prese d'aria dell'elettrotensile. La ventola del motore aspira la polvere all'interno dell'alloggiamento e un accumulo eccessivo di polvere metallica può causare rischi elettrici.
- Non utilizzare l'elettrotensile in prossimità di materiali infiammabili. Le scintille potrebbero incendiare questi materiali.
- Non utilizzare accessori che richiedono refrigeranti liquidi. L'uso di acqua o di altri liquidi refrigeranti può provocare folgorazioni o scosse.
- Durante il funzionamento, afferrare l'impugnatura. Utilizzare sempre le impugnature ausiliarie fornite con l'utensile. La perdita di controllo può causare lesioni personali.
- Utilizzare solo le mole consigliate per l'elettrotensile e la protezione specifica per la mola selezionata.
- La protezione deve essere fissata saldamente all'elettrotensile e posizionata in modo da massimizzare la sicurezza, in modo che la ruota sia esposta al minimo verso l'operatore.
- Le mole devono essere utilizzate solo per le applicazioni raccomandate.
- Utilizzare sempre flange della ruota non danneggiate e di forma e dimensioni corrette per la ruota selezionata.
- Non utilizzare mole destinate a utensili elettrici più grandi.
- Non esercitare una pressione eccessiva sul pezzo con la mola. Non forzare l'elettrotensile a tagliare eccessivamente in profondità.
- Quando la ruota è bloccata o quando si interrompe un taglio per qualsiasi motivo, spegnere l'elettrotensile e tenerlo fermo finché la ruota non si arresta completamente. Non tentare mai di rimuovere la ruota di taglio dal pezzo in lavorazione mentre la ruota è in movimento, altrimenti si potrebbe verificare un contraccolpo.
- Prima di accenderla, accertarsi che la mola non tocchi alcuna superficie.
- Lasciare sempre che la mola raggiunga la massima velocità prima di tentare di tagliare con essa.
- Durante il taglio, eseguire movimenti lenti verso il pezzo.
- I supporti devono essere posizionati sotto i pezzi di grandi dimensioni e vicino ai loro bordi per ridurre al minimo il rischio di contraccolpi.
- Prestare la massima attenzione quando si taglia nelle pareti o in altre aree in cui possono essere nascosti tubi del gas o dell'acqua. Il contatto della mola con un tubo del gas o dell'acqua nascosto può causare contraccolpi.

Contraccolpo

Il contraccolpo può causare incidenti gravi e persino mortali. Il contraccolpo si verifica quando la smerigliatrice angolare afferra o si blocca sul pezzo da tagliare. Ciò provoca il rapido arresto dell'accessorio rotante e, a sua volta, il movimento dell'elettrotensile nella direzione opposta alla rotazione dell'accessorio. Il contraccolpo può far perdere all'operatore il controllo dell'utensile, che può colpire il lavoratore o cadere, causando lesioni a piedi e gambe.

Il contraccolpo è il risultato di un uso improprio degli utensili elettrici e può essere evitato adottando le precauzioni indicate di seguito:

- Mantenere una presa salda sull'elettrotensile e posizionare il corpo e il braccio in modo tale da aumentare il grado di controllo sull'elettrotensile nel caso in cui si verifica un contraccolpo. Utilizzare sempre l'impugnatura ausiliaria, se prevista, per avere il massimo controllo sui contraccolpi o sulle reazioni di coppia durante l'avviamento.
- Tenere le mani lontane dall'accessorio rotante.
- Non posizionare il corpo nell'area in cui l'elettrotensile si muove in caso di contraccolpo.
- Prestare particolare attenzione quando si lavorano angoli, spigoli vivi, ecc.
- Non collegare all'elettrotensile una catena da sega, una lama da intaglio o una lama dentata.

Istruzioni di sicurezza per il pacco batteria

- Non smontare, aprire, rompere o bruciare il pacco batteria.
- Non mettere in cortocircuito il gruppo batteria. Non riporre il gruppo batteria in modo inappropriato in una scatola o in un cassetto dove potrebbero entrare in cortocircuito l'uno con l'altro o essere messi in cortocircuito da materiali conduttivi. Quando il gruppo batteria non è in uso, tenerlo lontano da altri oggetti metallici, come graffette, monete, chiavi, chiodi, viti o altri piccoli oggetti metallici, che possono creare un collegamento da un terminale all'altro. Il cortocircuito dei terminali della batteria può causare ustioni o incendi.
- Non esporre il pacco batteria a fonti di calore o fuoco.
- Evitare la conservazione alla luce diretta del sole.
- Non sottoporre il pacco batteria a urti meccanici.
- In caso di fuoriuscita della batteria, evitare che il liquido venga a contatto con la pelle o con gli occhi. In caso di contatto, lavare l'area interessata con abbondantemente d'acqua e consultare un medico.
- In caso di ingestione di un pacco batteria, consultare immediatamente un medico.
- Mantenere il pacco batteria pulito e asciutto.
- Pulire i terminali del pacco batteria con un panno pulito e asciutto se si sporcano.
- La batteria deve essere caricata prima dell'uso.
- Utilizzare la procedura di ricarica corretta.
- Dopo lunghi periodi di stoccaggio, potrebbe essere necessario caricare e scaricare il pacco batteria più volte per ottenere le massime prestazioni.
- La batteria funziona in modo ottimale quando viene utilizzata alla normale temperatura ambiente ($20^{\circ}\text{C} \pm 5^{\circ}\text{C}$).
- Ricaricare solo con il caricabatterie specificato. Non utilizzare un caricabatterie diverso da quello in dotazione.
- Non utilizzare batterie non progettate per l'uso con l'apparecchiatura.
- Tenere il pacco batteria fuori dalla portata dei bambini.
- Rimuovere la batteria dall'apparecchiatura quando non viene utilizzata.
- Osservare i segni più (+) e meno (-) sulla batteria e assicurarsi che venga utilizzata correttamente.
- Assicurarsi che la batteria sia rimossa prima di cambiare gli accessori e prima di effettuare interventi di manutenzione o riparazione.

INFORMAZIONI SUL RUMORE

Avvertenza: Indossare protezioni per l'udito.

Pressione sonora ponderata A	$L_{pA}=77,7 \text{ dB(A)}$
Potenza sonora ponderata A	$L_{wA}=88,7 \text{ dB(A)}$
$K_{pA} \& K_{wA}$	3 dB(A)

INFORMAZIONI SULLE VIBRAZIONI

Avvertenza: Questo elettrotensile può causare la sindrome da vibrazioni mano-braccio se usato frequentemente per periodi prolungati senza fare pause regolari e se non si indossano guanti protettivi.

Valori totali di vibrazione (somma vettoriale triassiale) determinati secondo la norma EN 60745.

Valore di emissione delle vibrazioni $a_{h,AG}$ per maniglia principale	5,74 m/s^2
Valore di emissione delle vibrazioni $a_{h,AG}$ per maniglia ausiliaria	6,87 m/s^2
Incertezza K	1,5 m/s^2

Attenzione: I valori di emissione delle vibrazioni possono differire da quelli sopra indicati a seconda delle modalità di utilizzo dell'elettrotensile, dei materiali da tagliare e se:

- Lo strumento non è in buone condizioni e non è stato sottoposto a manutenzione.
- Vengono utilizzati accessori non adatti all'utensile.
- La mola o altri accessori rotanti non sono affilati.
- Non vengono utilizzati accessori antivibrazione.
- Lo strumento non viene utilizzato come previsto.

USO PREVISTO

La macchina è destinata al taglio, alla sgrassatura e alla spazzolatura di materiali metallici e lapidei senza l'utilizzo di acqua. Per il taglio del metallo è necessario utilizzare una protezione speciale per il taglio.

ISTRUZIONI PER IL MONTAGGIO E IL FUNZIONAMENTO

Azione	Figura
Prima del funzionamento	
Rimozione del pacco batteria	Fig. A1
Ricarica della batteria	Fig. A2
Installazione del gruppo batteria Attenzione: La mola deve essere completamente ferma prima di inserire la batteria.	Fig. A3
Montaggio	
Montaggio della maniglia ausiliaria	Fig. B
Montaggio della mola/disco da taglio	Fig. C1, C2, C3
Regolazione del parafrangente Attenzione: La protezione deve essere montata se si lavora con una mola o un disco da taglio. Utilizzare il tipo di mola/disco corretto per ogni applicazione. Aprire la leva di serraggio. Inserire la protezione della ruota nella scanalatura del mandrino della testa della macchina e ruotare nella posizione desiderata. Per fissare il parafrangente, chiudere la leva di bloccaggio. Il lato chiuso della ruota deve sempre essere rivolto verso l'operatore.	Fig. D
Operazione	
Utilizzo dell'interruttore ON/OFF	Fig. E
Controllo a velocità variabile	Fig. F
Aree di presa delle mani	Fig. G
Rettifica grossolana Attenzione: Non utilizzare mai un disco da taglio per sgrossare	
Taglio	Fig. H

CONSIGLI PER IL CORRETTO FUNZIONAMENTO

- Durante il lavoro, mantenere sempre un angolo di 15-30 gradi tra il disco e il pezzo. Angoli maggiori possono danneggiare la smerigliatrice angolare.
- Quando si utilizza un disco da taglio, non cambiare mai l'angolo di taglio, altrimenti si rischia di mandare in stallo il disco e il motore della smerigliatrice angolare o di rompere il disco. Quando si taglia, farlo solo nella direzione opposta a quella di rotazione del disco.
- I dischi diamantati possono essere utilizzati per ottenere i migliori risultati nel taglio di materiali molto duri.
- Quando si utilizza un disco diamantato, questo può diventare molto caldo. In tal caso, si vedrà un anello di scintille intorno al disco rotante. Interrompere il taglio e lasciare raffreddare il disco diamantato per 2-3 minuti.
- Assicurarsi sempre che il pezzo in lavorazione sia saldamente tenuto o bloccato per evitare che si muova.

MANUTENZIONE

- Non tentare di riparare da soli le parti della macchina.
- Non utilizzare mai acqua o detersivi chimici per pulire l'elettro utensile. Pulire con un panno asciutto.
- Conservare sempre l'elettro utensile in un luogo asciutto.
- Mantenere pulite le fessure di ventilazione del motore.
- Mantenere l'elettro utensile libero dalla polvere.
- Occasionalmente si possono vedere scintille che passano attraverso le fessure di ventilazione. Questo fenomeno è normale e non danneggia l'elettro utensile.

RISOLUZIONE DEI PROBLEMI

- Se la mola oscilla o vibra, verificare che la flangia esterna sia ben salda, controllare che la mola sia posizionata correttamente sulla piastra della flangia.
- Se la ruota è danneggiata, non utilizzarla perché potrebbe rompersi e danneggiare l'operatore. Rimuoverla e sostituirla con una nuova ruota.
- Se si lavora sull'alluminio o su leghe morbide simili, la mola si intasa rapidamente e non riesce a smerigliare efficacemente.

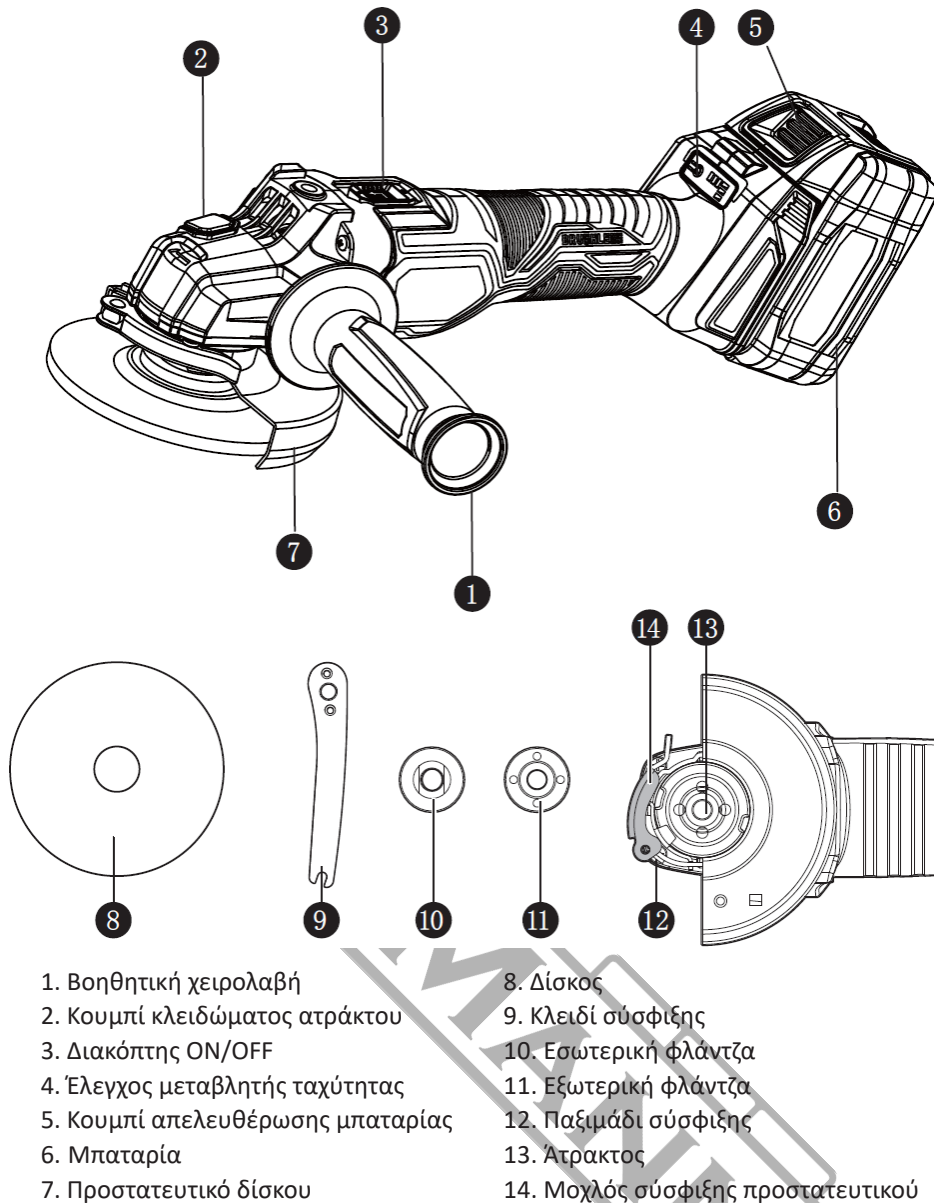
SMALTIMENTO AMBIENTALE

Per evitare danni durante il trasporto, l'utensile deve essere consegnato in un imballaggio solido. L'imballaggio, l'unità e gli accessori sono realizzati con materiali riciclabili e possono essere smaltiti di conseguenza. I componenti in plastica dell'utensile sono contrassegnati in base al materiale di cui sono composti, il che rende possibile l'eliminazione dei rifiuti ecologici e differenziati grazie alle strutture di raccolta disponibili.

**Solo per i paesi dell'UE**

Non smaltire gli utensili elettrici insieme ai rifiuti domestici!

In conformità alla direttiva europea 2002/96/CE sui rifiuti di apparecchiature elettriche ed elettroniche e alla sua attuazione in conformità alla legislazione nazionale, gli utensili elettrici giunti a fine vita devono essere raccolti separatamente e conferiti a un impianto di riciclaggio compatibile con l'ambiente.



- 1. Βοηθητική χειρολαβή
- 2. Κουμπί κλειδώματος ατράκτου
- 3. Διακόπτης ON/OFF
- 4. Έλεγχος μεταβλητής ταχύτητας
- 5. Κουμπί απελευθέρωσης μπαταρίας
- 6. Μπαταρία
- 7. Προστατευτικό δίσκου
- 8. Δίσκος
- 9. Κλειδί σύσφιξης
- 10. Εσωτερική φλάντζα
- 11. Εξωτερική φλάντζα
- 12. Παξιμάδι σύσφιξης
- 13. Άτρακτος
- 14. Μοχλός σύσφιξης προστατευτικού

ΠΡΟΔΙΑΓΡΑΦΕΣ

Τεχνικές προδιαγραφές	
Μοντέλο	BCD2635
Τάση	DC 18 V
Τύπος μοτέρ	Χωρίς ψύκτρες
Στροφές χωρίς φορτίο	3500/6000/8500rpm
Διάμετρος δίσκου	125mm
Υποδοχή	M14
Χαρακτηριστικά	Λειτουργία ομαλής εκκίνησης και προστασίας από αποσύνδεση, αλλαγή προστατευτικού δίσκου χωρίς εργαλεία, μεταλλικό προστατευτικό σκόνης
Περιλαμβάνει	1x βοηθητική χειρολαβή, 1x σετ προστατευτικού δίσκου, 1x κλειδί, 1x μπαταρία 3.0Ah, 1x φορτιστής 2.0A με βύσμα VDE, τσάντα μεταφοράς

* Ο κατασκευαστής διατηρεί το δικαίωμα να πραγματοποιήσει δευτερεύουσες αλλαγές στο σχεδιασμό του προϊόντος και στα τεχνικά χαρακτηριστικά χωρίς προηγούμενη ειδοποίηση, εκτός εάν οι αλλαγές αυτές επηρεάζουν σημαντικά την απόδοση και λειτουργία ασφάλειας των προϊόντων. Τα εξαρτήματα που περιγράφονται / απεικονίζονται στις σελίδες του εγχειριδίου που κρατάτε στα χέρια σας ενδέχεται να αφορούν και σε άλλα μοντέλα της σειράς προϊόντων του κατασκευαστή, με παρόμοια χαρακτηριστικά, και ενδέχεται να μην περιλαμβάνονται στο προϊόν που μόλις αποκτήσατε.

* Για να διασφαλιστεί η ασφάλεια και η αξιοπιστία του προϊόντος καθώς και η ισχύς της εγγύησης όλες οι εργασίες επιδιόρθωσης, ελέγχου, επισκευής ή αντικατάστασης συμπεριλαμβανομένης της συντήρησης και των ειδικών ρυθμίσεων, πρέπει να εκτελούνται μόνο από τεχνικούς του εξουσιοδοτημένου τμήματος Service του κατασκευαστή.

* Χρησιμοποιείτε πάντα το προϊόν με τον παρεχόμενο εξοπλισμό. Η λειτουργία του προϊόντος με μη-προβλεπόμενο εξοπλισμό ενδέχεται να προκαλέσει βλάβη ή ακόμα και σοβαρό τραυματισμό ή θάνατο. Ο κατασκευαστής και ο εισαγωγέας ουδεμία ευθύνη φέρει για τραυματισμούς και βλάβες που προκύπτουν από την χρήση μη προβλεπόμενου εξοπλισμού.

ΟΔΗΓΙΕΣ ΑΣΦΑΛΕΙΑΣ

Προσοχή: Διαβάστε το εγχειρίδιο πριν χρησιμοποιήσετε το ηλεκτρικό εργαλείο. Η μη τήρηση των προειδοποιήσεων και των οδηγιών μπορεί να προκαλέσει ηλεκτροπληξία, πυρκαγιά ή/και σοβαρό τραυματισμό. Αφού διαβάσετε το εγχειρίδιο, φυλάξτε το για μελλοντική αναφορά.

Γενικές οδηγίες ασφαλείας για ηλεκτρικά εργαλεία

Ασφάλεια στον χώρο εργασίας

- Διατηρείτε τον χώρο εργασίας καθαρό και επαρκώς φωτισμένο. Η ακαταστασία και η ανεπαρκώς φωτισμένες περιοχές εργασίας μπορεί να οδηγήσουν σε ατυχήματα και τραυματισμό.
- Μην εργάζεστε με το ηλεκτρικό εργαλείο σε χώρους όπου υπάρχει κίνδυνος έκρηξης, στο οποίο υπάρχουν εύφλεκτα υγρά, αέρια ή σκόνη.
- Τα ηλεκτρικά εργαλεία ενδέχεται να δημιουργήσουν σπινθήρες οι οποίοι μπορούν να αναφλέξουν σκόνη και αέρια.
- Όταν χρησιμοποιείτε το ηλεκτρικό εργαλείο κρατάτε τα παιδιά και άλλους παρευρισκόμενους σε ασφαλή απόσταση. Η απόσταση της προσοχής μπορεί να οδηγήσει σε απώλεια ελέγχου του εργαλείου/μηχανήματος.

Ηλεκτρική ασφάλεια

- Το βύσμα του καλωδίου του ηλεκτρικού εργαλείου πρέπει να είναι συμβατό με την πρίζα. Δεν επιτρέπεται η οποιαδήποτε μετατροπή του βύσματος.
- Μη χρησιμοποιείτε μετατροπείς σε συνδυασμό με γειωμένα ηλεκτρικά εργαλεία. Η χρήση βυσμάτων με συμβατές πρίζες μειώνουν τον κίνδυνο ηλεκτροπληξίας.
- Αποφεύγετε την επαφή με γειωμένες επιφάνειες όπως με σωλήνες, θερμαντικά σώματα (καλοριφέρ), κουζίνες ή ψυγεία. Όταν το σώμα σας γειώνεται αυξάνεται ο κίνδυνος ηλεκτροπληξίας.
- Μην εκθέτετε τα μηχανήματα και τα εργαλεία στη βροχή ή σε υψηλή υγρασία. Η διείσδυση νερού στο ηλεκτρικό εργαλείο αυξάνει τον κίνδυνο ηλεκτροπληξίας.
- Μη χρησιμοποιείτε το καλώδιο για να μεταφέρετε ή να μετακινήσετε το ηλεκτρικό εργαλείο, ή για να βγάλετε το βύσμα από την πρίζα. Κρατάτε το καλώδιο μακριά από πηγές υψηλής θερμοκρασίας, κοφτερά αντικείμενα και από κινούμενα εξαρτήματα. Τα καλώδια που έχουν υποστεί οποιαδήποτε ζημιά αυξάνουν τον κίνδυνο ηλεκτροπληξίας.
- Όταν εργάζεστε μ' ένα ηλεκτρικό εργαλείο σε εξωτερικό χώρο, χρησιμοποιείτε καλώδια προέκτασης (μπαλαντέζες) που είναι κατάλληλα για χρήση σε εξωτερικούς χώρους. Η χρήση καλωδίων προέκτασης κατάλληλων για εξωτερικούς χώρους μειώνει τον κίνδυνο ηλεκτροπληξίας.
- Όταν η χρήση του ηλεκτρικού εργαλείου σε χώρους με υψηλή υγρασία ή με υγρά είναι αναπόφευκτη, τότε χρησιμοποιήστε μια διάταξη προστασίας έναντι ρεύματος διαρροής (ρελέ διαρροής - RCD). Η χρήση μιας διάταξης προστασίας ρεύματος διαρροής μειώνει τον κίνδυνο ηλεκτροπληξίας.

Προσωπική ασφάλεια

- Να είστε πάντοτε προσεκτικοί, να δίνετε προσοχή στην εργασία που εκτελείτε και να χειρίζεστε το μηχάνημα με σύνεση. Μη χρησιμοποιείτε το ηλεκτρικό εργαλείο αν νιώθετε κόπωση ή αν βρίσκεστε υπό την επήρεια αλκοόλ ή άλλων ουσιών. Μια στιγμή απροσεξίας κατά τον χειρισμό του ηλεκτρικού εργαλείου μπορεί να οδηγήσει σε σοβαρό τραυματισμό.
- Φοράτε κατάλληλο εξοπλισμό ατομικής προστασίας. Επιλέξτε τον κατάλληλο εξοπλισμό προστασίας, για παράδειγμα μια μάσκα προστασίας από την σκόνη, αντιολισθητικές μπότες ασφαλείας, κράνος προστασίας, προστατευτικά ακοής, ανάλογα με το εκάστοτε εργαλείο και τη χρήση του, έτσι ώστε να μειωθεί ο κίνδυνος τραυματισμού.
- Λάβετε μέτρα για να αποφύγετε την ακούσια εκκίνηση. Βεβαιωθείτε ότι το κουμπί ενεργοποίησης του εργαλείου βρίσκεται στη θέση off πριν συνδέσετε το βύσμα στην πρίζα, πριν τοποθετήσετε τις μπαταρίες στο εργαλείο, και πριν το μεταφέρετε και το κουβαλήσετε. Όταν μεταφέρετε το ηλεκτρικό εργαλείο ακουμπώντας το δάχτυλό σας στο διακόπτη ON/OFF ή όταν συνδέετε το εργαλείο με την πηγή ρεύματος όταν αυτό είναι ενεργοποιημένο, τότε δημιουργείται κίνδυνος τραυματισμού.
- Αφαιρείτε από τα ηλεκτρικά εργαλεία τυχόν εργαλεία ρύθμισης πριν θέσετε το ηλεκτρικό εργαλείο σε λειτουργία. Ένα εργαλείο ρύθμισης που βρίσκεται συνδεδεμένο σ' ένα κινούμενο τμήμα μπορεί να οδηγήσει σε τραυματισμό.
- Μην κρατάτε το εργαλείο σε θέση υπερέκτασης. Διατηρήστε την ισορροπία σας και να στέκεστε με σωστή στάση σώματος έτσι ώστε να είστε σε θέση να αντιμετωπίσετε απροσδόκητες περιστάσεις.
- Ντυθείτε με τα κατάλληλα ενδύματα. Μη φοράτε ρούχα με χαλαρή εφαρμογή ή κοσμήματα. Κρατήστε τα μαλλιά, τα ρούχα και τα χέρια σας σε ασφαλή απόσταση από τα κινούμενα εξαρτήματα.

Ορθότητα χειρισμού και συντήρηση ηλεκτρικών εργαλείων

- Μην ασκείτε υπερβολική πίεση στο εργαλείο. Χρησιμοποιήστε το κατάλληλο εργαλείο για τον σκοπό για τον οποίο προορίζεται. Η χρήση του σωστού εργαλείου για τον σκοπό για τον οποίο προορίζεται θα καταστήσει την εργασία ασφαλέστερη.
- Μη χρησιμοποιήσετε ποτέ ένα εργαλείο αν το κουμπί ενεργοποίησής του δεν λειτουργεί. Ένα ηλεκτρικό εργαλείο το οποίο δεν μπορεί πλέον να ενεργοποιηθεί ή/και να απενεργοποιηθεί με το εν λόγω κουμπί είναι επικίνδυνο και πρέπει να επισκευαστεί.
- Αποσυνδέστε το βύσμα του καλωδίου από την πρίζα και/ή αφαιρέστε την μπαταρία πριν προβείτε σε εργασίες συντήρησης ή αντικατάστασης εξαρτήματος του εργαλείου ή όταν πρόκειται να φυλάξετε το εργαλείο. Αυτά τα μέτρα πρόληψης μειώνουν τον κίνδυνο της ακούσιας εκκίνησης του ηλεκτρικού εργαλείου.
- Όταν δεν χρησιμοποιείται, φυλάξτε το ηλεκτρικό εργαλείο σε σημείο μη προσβάσιμο από παιδιά.
- Δεν πρέπει να επιτρέπεται η χρήση του ηλεκτρικού εργαλείου σε άτομα που δεν έχουν εξοικωωθεί με την χρήση του ή που δεν έχουν διαβάσει τις οδηγίες χρήσης του. Το ηλεκτρικό εργαλείο είναι επικίνδυνο όταν χρησιμοποιείται από άπειρα άτομα ή από άτομα που δεν έχουν διαβάσει τις οδηγίες χρήσης του.
- Συντηρήστε το ηλεκτρικό εργαλείο. Ελέγχετε, αν τα κινούμενα εξαρτήματα λειτουργούν σωστά, αν υπάρχει κάποιο μπλοκάρισμα, ή αν έχουν σπάσει σε κάποιο σημείο ή φθαρεί εξαρτήματα τα οποία ενδέχεται να επηρεάσουν αρνητικά την λειτουργία του ηλεκτρικού εργαλείου. Η λανθασμένη συντήρηση των ηλεκτρικών εργαλείων προκαλεί ατυχήματα.
- Διατηρείτε τα εργαλεία κοπής αιχμηρά και σε καλή κατάσταση. Τα επαρκώς συντηρημένα κοπτικά εργαλεία είναι πιο δύσκολο να μπλοκαριστούν και έχουν υψηλότερη απόδοση.
- Χρησιμοποιείτε όλα τα τμήματα του εξοπλισμού και το ίδιο το εργαλείο σύμφωνα με τις οδηγίες του εγχειριδίου. Λαμβάνετε επίσης υπόψη σας τους εξωτερικούς παράγοντες και τις συνθήκες της εκάστοτε εργασίας.
- Η χρήση του ηλεκτρικού εργαλείου για εργασίες άλλες από τις προβλεπόμενες μπορεί να οδηγήσει σε ατύχημα.
- Διατηρείτε τις λαβές και τις επιφάνειες πρόσφυσης του ηλεκτρικού εργαλείου στεγνές, καθαρές και απαλλαγμένες από λάδια και γράσα. Οι ολισθηρές λαβές και επιφάνειες πρόσφυσης καταστύουν αδύνατο τον ασφαλή χειρισμό του εργαλείου σε απρόβλεπτες περιστάσεις.

Οδηγίες ασφαλείας για εργαλεία με μπαταρίες

- Επαναφορτίζετε τις μπαταρίες μόνο με τον φορτιστή που ορίζει ο κατασκευαστής. Ένας φορτιστής που χρησιμοποιείται για τη φόρτιση ακατάλληλων μπαταριών μπορεί να δημιουργήσει κίνδυνο πυρκαγιάς.
- Χρησιμοποιείτε το ηλεκτρικό εργαλείο μόνο με τις προβλεπόμενες μπαταρίες. Η χρήση άλλων μπαταριών μπορεί να δημιουργήσει κίνδυνο τραυματισμού και πυρκαγιάς.
- Όταν η μπαταρία δεν χρησιμοποιείται, κρατήστε το μακριά από μεταλλικά αντικείμενα όπως συνδετήρες, κέρματα, κλειδιά, καρφιά, βίδες ή άλλα μικρά μεταλλικά αντικείμενα που μπορούν να κάνουν σύνδεση από τον έναν ακροδέκτη στον άλλον.
- Το βραχυκύκλωμα των ακροδεκτών της μπαταρίας μπορεί να προκαλέσει εγκαύματα ή πυρκαγιά.
- Υπό συνθήκες κακομεταχείρισης, μπορεί να εκτοξευτεί υγρό από την μπαταρία. Αποφύγετε την επαφή με το υγρό της μπαταρίας.
- Σε περίπτωση επαφής με το υγρό, ξεπλύνετε με νερό. Εάν το υγρό έρθει σε επαφή με τα μάτια, αναζητήστε αμέσως ιατρική βοήθεια. Το υγρό που εκτοξεύεται από την μπαταρία μπορεί να προκαλέσει ερεθισμό ή εγκαύματα.

Service

- Αναθέστε τη συντήρηση και την επισκευή του ηλεκτρικού εργαλείου σε εξειδικευμένο προσωπικό σέρβις, χρησιμοποιώντας μόνο πανομοιότυπα ανταλλακτικά. Με τον τρόπο αυτό θα διασφαλιστεί η διατήρηση της ασφάλειας του ηλεκτρικού εργαλείου.
- Ποτέ μην επιχειρήσετε να επισκευάσετε μόνοι σας τις μπαταρίες που έχουν υποστεί βλάβη. Το σέρβις των μπαταριών πρέπει να εκτελείται μόνο από τον κατασκευαστή ή από εξουσιοδοτημένους τεχνικούς σέρβις.

Οδηγίες ασφαλείας για γωνιακούς τροχούς

- Αυτό το ηλεκτρικό εργαλείο προορίζεται για εργασίες τροχίσματος και κοπής.
- Δεν συνιστάται να εκτελούνται εργασίες όπως λείανση, βούρτσισμα με σύρμα και στίλβωση με αυτό το ηλεκτρικό εργαλείο. Η χρήση του ηλεκτρικού εργαλείου για την εκτέλεση εργασιών για τις οποίες δεν προορίζεται μπορεί να δημιουργήσει κίνδυνο και να προκαλέσει τραυματισμό.
- Μην χρησιμοποιείτε εξαρτήματα που δεν έχουν σχεδιαστεί για χρήση με αυτό το εργαλείο ή που δεν συνιστώνται από τον κατασκευαστή του ηλεκτρικού εργαλείου. Δεν μπορεί να γυγυθεί η ασφαλής λειτουργία του ηλεκτρικού εργαλείου μόνο και μόνο επειδή ένα εξάρτημα μπορεί να προσαρτηθεί σε αυτό. Οι στροφές του τροχού/δίσκου πρέπει να είναι τουλάχιστον ίσες με τις μέγιστες στροφές που αναγράφονται στο ηλεκτρικό εργαλείο. Οι δίσκοι που λειτουργούν με στροφές μεγαλύτερες από τις ονομαστικές τους μπορεί να σπάσουν και να εκτιναχθούν από το εργαλείο.
- Η εξωτερική διάμετρος και το πάχος οποιουδήποτε δίσκου πρέπει να είναι συμβατή με το ηλεκτρικό εργαλείο. Οι δίσκοι με λανθασμένο μέγεθος δεν μπορούν να προστατευτούν ή να ελεγχθούν επαρκώς.
- Τα σπειρώματα τοποθέτησης των εξαρτημάτων πρέπει να ταιριάζουν με το σπείρωμα του άξονα του τροχού. Για εξαρτήματα που τοποθετούνται με φλάντζες, η οπή στο κέντρο του εξαρτήματος πρέπει να ταιριάζει με τη διάμετρο τοποθέτησης της φλάντζας. Τα εξαρτήματα που δεν ταιριάζουν με το ηλεκτρικό εργαλείο θα δονηθούν υπερβολικά και ενδέχεται να προκαλέσουν απώλεια ελέγχου.
- Μην χρησιμοποιείτε δίσκους που έχουν υποστεί ζημιά. Πριν από κάθε χρήση επιθεωρήστε τον δίσκο για οποιαδήποτε ζημιά όπως σπασίματα και ρωγμές. Εάν το ηλεκτρικό εργαλείο ή ο δίσκος πέσει, επιθεωρήστε για ζημιές ή τοποθετήστε έναν άθικτο δίσκο. Αφού επιθεωρήσετε και εγκαταστήσετε έναν δίσκο, βεβαιωθείτε ότι εσείς και οι παρευρισκόμενοι βρίσκεστε σε ασφαλή απόσταση από τον δίσκο και στη συνέχεια, λειτουργήστε το ηλεκτρικό εργαλείο στις μέγιστες στροφές χωρίς φορτίο για ένα λεπτό.
- Οι δίσκοι που έχουν υποστεί ζημιά κανονικά διαλύονται κατά τη διάρκεια αυτού του χρόνου δοκιμής.
- Φορέστε ατομικό προστατευτικό εξοπλισμό. Ανάλογα με την εφαρμογή, χρησιμοποιήστε ασπίδα προσώπου ή γυαλιά προστασίας. Ανάλογα με την περίπτωση, φορέστε μάσκα σκόνης, προστατευτικά ακοής, γάντια και ρούχα προστασίας ικανά να σταματήσουν μικρά θραύσματα από το τεμάχιο εργασίας. Η προστασία των ματιών πρέπει να είναι ικανή να σταματά τα θραύσματα που παράγονται κατά τη λειτουργία. Η μάσκα σκόνης ή η αναπνευστική συσκευή πρέπει να είναι ικανή να φιλτράρει τα σωματίδια που παράγονται κατά τη λειτουργία. Η παρατεταμένη έκθεση σε θόρυβο υψηλής έντασης μπορεί να προκαλέσει απώλεια ακοής.
- Κρατήστε τους παρευρισκόμενους σε ασφαλή απόσταση από τον χώρο εργασίας. Όποιος εισέρχεται στην περιοχή εργασίας πρέπει να φοράει εξοπλισμό ατομικής προστασίας.
- Θραύσματα ενός τεμαχίου εργασίας ή ενός σπασμένου δίσκου μπορεί να εκτοξευθούν με υψηλές ταχύτητες και να προκαλέσουν τραυματισμό πέραν της άμεσης περιοχής λειτουργίας.
- Κρατάτε το ηλεκτρικό εργαλείο μόνο από τις μονωμένες επιφάνειες λαβής. Η επαφή με ηλεκτροφόρο καλώδιο θα καταστήσει τα εκτεθειμένα μεταλλικά τμήματα του ηλεκτρικού εργαλείου ηλεκτροφόρα και μπορεί να προκαλέσει ηλεκτροπληξία στον χειριστή.
- Να περιμένετε μέχρι ο δίσκος να σταματήσει εντελώς να κινείται πριν αφήσετε ο ηλεκτρικό εργαλείο στο έδαφος. Ο χειριστής μπορεί να χάσει τον έλεγχο του ηλεκτρικού εργαλείου αν ο δίσκος βρίσκεται σε κίνηση όταν ακουμπήσει το έδαφος.
- Απενεργοποιήστε το εργαλείο πριν το μεταφέρετε. Διαφορετικά, το περιστρεφόμενο εξάρτημα μπορεί να πιάσει τα ρούχα και να προκαλέσει τραυματισμό.
- Καθαρίζετε τακτικά τις οπές εξαερισμού του ηλεκτρικού εργαλείου. Ο ανεμιστήρας του μοτέρ θα τραβήξει τη σκόνη στο εσωτερικό του περιβλήματος και η υπερβολική συσσώρευση σκόνης μετάλλου μπορεί να προκαλέσει ηλεκτρικούς κινδύνους.
- Μην χρησιμοποιείτε το ηλεκτρικό εργαλείο κοντά σε εύφλεκτα υλικά. Οι σπινθήρες μπορούν να αναφλέξουν αυτά τα υλικά.
- Μην χρησιμοποιείτε εξαρτήματα που απαιτούν υγρά ψυκτικά μέσα. Η χρήση νερού ή άλλων υγρών ψυκτικών μέσων μπορεί να προκαλέσει ηλεκτροπληξία.
- Κατά τη διάρκεια της λειτουργίας, πιάστε τη λαβή. Χρησιμοποιείτε πάντα τις βοηθητικές λαβές που παρέχει το εργαλείο. Η απώλεια ελέγχου μπορεί να προκαλέσει τραυματισμό.
- Χρησιμοποιείτε μόνο δίσκους που συνιστώνται για χρήση με το ηλεκτρικό εργαλείο και το προστατευτικό που έχει σχεδιαστεί για τον επιλεγμένο τροχό.
- Το προστατευτικό πρέπει να είναι σταθερά στερεωμένο στο ηλεκτρικό εργαλείο και να είναι τοποθετημένο με τέτοιο τρόπο ώστε να μεγιστοποιείται η ασφάλεια, έτσι ώστε να εκτίθεται η μικρότερη δυνατή επιφάνεια του δίσκου προς τον χειριστή.
- Οι δίσκοι πρέπει να χρησιμοποιούνται μόνο για τις συνιστώμενες εφαρμογές.
- Χρησιμοποιείτε πάντα άθικτες φλάντζες δίσκου που έχουν το σωστό μέγεθος και σχήμα για τον επιλεγμένο δίσκο.
- Μην χρησιμοποιείτε δίσκους που προορίζονται για χρήση με μεγαλύτερα ηλεκτρικά εργαλεία.
- Μην ασκείτε υπερβολική πίεση στο τεμάχιο εργασίας με τον γωνιακό τροχό. Μην πιέζετε το ηλεκτρικό εργαλείο να κόψει υπερβολικά βαθιά.
- Όταν ο τροχός έχει κολλήσει ή όταν διακόπτετε την εργασία κοπής για οποιονδήποτε λόγο, απενεργοποιήστε το ηλεκτρικό εργαλείο και κρατήστε το ακίνητο μέχρι να σταματήσει εντελώς να κινείται ο δίσκος. Ποτέ μην επιχειρήσετε να αφαιρέσετε τον δίσκο από το τεμάχιο εργασίας ενώ ο δίσκος βρίσκεται σε κίνηση, διαφορετικά μπορεί να προκληθεί ανάκρουση.
- Βεβαιωθείτε ότι ο δίσκος δεν αγγίζει καμία επιφάνεια πριν τον ενεργοποιήσετε.
- Αφήνετε πάντα τον δίσκο να φτάσει τις μέγιστες στροφές πριν επιχειρήσετε να κόψετε με αυτόν.

- Πραγματοποιήστε αργές κινήσεις προς το τεμάχιο εργασίας κατά την κοπή.
- Πρέπει να τοποθετούνται στηρίγματα κάτω από τα μεγάλα τεμάχια εργασίας και κοντά στις άκρες τους για να ελαχιστοποιηθεί ο κίνδυνος κλοστήματος.
- Να είστε ιδιαίτερα προσεκτικοί όταν κόβετε μέσα σε τοίχους ή σε άλλα σημεία όπου μπορεί να κρύβονται σωλήνες αερίου ή νερού. Η επαφή του δίσκου με έναν κρυμμένο σωλήνα αερίου ή νερού μπορεί να προκαλέσει ανάκρουση.

Ανάκρουση (κλότσημα)

Η ανάκρουση μπορεί να προκαλέσει σοβαρά ατυχήματα και θάνατο. Η ανάκρουση προκαλείται όταν ο δίσκος σφηνώνεται στο τεμάχιο εργασίας κατά την κοπή. Αυτό προκαλεί την ταχεία ακινητοποίηση του δίσκου και στη συνέχεια προκαλεί την ώθηση του ηλεκτρικού εργαλείου προς την αντίθετη κατεύθυνση από την περιστροφή του δίσκου. Ο χειριστής μπορεί να χάσει τον έλεγχο του εργαλείου λόγω της ανάκρουσης και το εργαλείο μπορεί να χτυπήσει τον χειριστή ή να πέσει, προκαλώντας τραυματισμούς στα πόδια.

Η ανάκρουση προκαλείται λόγω κακής χρήσης του ηλεκτρικού εργαλείου και μπορεί να αποφευχθεί με τη λήψη των κατάλληλων προφυλάξεων που αναφέρονται παρακάτω:

- Διατηρήστε σταθερή λαβή στο ηλεκτρικό εργαλείο και τοποθετήστε το σώμα και τον βραχιόνά σας με τέτοιο τρόπο ώστε να έχετε περισσότερο έλεγχο στο ηλεκτρικό εργαλείο σε περίπτωση που προκληθεί ανάκρουση. Κρατάτε πάντοτε τη βοηθητική λαβή, εφόσον διατίθεται, για να διασφαλίσετε τον μέγιστο έλεγχο του εργαλείου κατά την εκκίνηση λειτουργίας.
- Κρατήστε τα χέρια σας μακριά από τον δίσκο.
- Μην τοποθετείτε το σώμα σας στην περιοχή όπου θα κινηθεί το ηλεκτρικό εργαλείο σε περίπτωση που προκληθεί ανάκρουση.
- Να είστε ιδιαίτερα προσεκτικοί όταν εργάζεστε σε γωνίες, αιχμηρές άκρες κ.λπ.
- Μην συνδέετε αλυσίδα πριονιού, ξυλοκοπτική λεπίδα ή οδοντωτή λεπίδα πριονιού στο ηλεκτρικό εργαλείο.

Οδηγίες ασφαλείας για την μπαταρία

- Μην αποσυναρμολογήσετε, ανοίξετε, διαλύσετε ή κάψετε την μπαταρία.
- Μην βραχυκυκλώσετε την μπαταρία. Μην αποθηκεύετε την μπαταρία ακατάλληλα σε κουτί ή συρτάρι όπου μπορεί να βραχυκυκλώσει. Όταν η μπαταρία δεν χρησιμοποιείται, να την κρατάτε μακριά από άλλα μεταλλικά αντικείμενα, όπως συνδετήρες, κέρματα, κλειδιά, καρφιά, βίδες ή άλλα μικρά μεταλλικά αντικείμενα, που μπορούν να κάνουν σύνδεση από τον ένα ακροδέκτη στον άλλο. Το βραχυκύκλωμα των ακροδεκτών της μπαταρίας μεταξύ τους μπορεί να προκαλέσει εγκαύματα ή πυρκαγιά.
- Μην εκθέτετε την μπαταρία σε πηγές θερμότητας ή φωτιάς.
- Αποφύγετε την αποθήκευση της μπαταρίας σε σημείο όπου θα δέχεται άμεσο ηλιακό φως.
- Μην υποβάλλετε την μπαταρία σε κραδασμούς.
- Σε περίπτωση διαρροής της μπαταρίας, μην αφήσετε το υγρό να έρθει σε επαφή με το δέρμα ή τα μάτια. Σε περίπτωση επαφής, πλύνετε την επηρεασμένη περιοχή με άφθονο νερό και ζητήστε ιατρική συμβουλή.
- Ζητήστε αμέσως ιατρική συμβουλή σε περίπτωση κατάποσης της μπαταρίας.
- Διατηρήστε την μπαταρία καθαρή και στεγνή.
- Σκουπίστε τους ακροδέκτες της μπαταρίας με ένα καθαρό στεγνό πανί αν λερωθούν.
- Η μπαταρία πρέπει να φορτιστεί πριν από τη χρήση.
- Χρησιμοποιήστε τη σωστή διαδικασία φόρτισης.
- Μετά από παρατεταμένες περιόδους αποθήκευσης, μπορεί να χρειαστεί να φορτίσετε και να αποφορτίσετε την μπαταρία αρκετές φορές για να επιτύχετε τη μέγιστη δυνατή απόδοση.
- Η μπαταρία αποδίδει βέλτιστα όταν λειτουργεί σε κανονική θερμοκρασία δωματίου (20°C ± 5°C).
- Φορτίζετε μόνο με τον καθορισμένο φορτιστή. Μην χρησιμοποιείτε άλλο φορτιστή εκτός από αυτόν που παρέχεται.
- Μην χρησιμοποιείτε οποιοδήποτε μπαταρία που δεν έχει σχεδιαστεί για χρήση με τον εξοπλισμό.
- Φυλάξτε την μπαταρία μακριά από παιδιά.
- Αφαιρέστε την μπαταρία από τον εξοπλισμό όταν δεν χρησιμοποιείται.
- Προσέξτε τα σημάδια συν (+) και μείον (-) στην μπαταρία και διασφαλίστε τη σωστή χρήση.
- Βεβαιωθείτε ότι η μπαταρία έχει αφαιρεθεί πριν από την αλλαγή εξαρτημάτων και πριν από εργασίες συντήρησης ή επισκευής.

ΠΛΗΡΟΦΟΡΙΕΣ ΣΧΕΤΙΚΑ ΜΕ ΤΟΝ ΘΟΥΡΥΒΟ

Προσοχή: Φοράτε προστατευτικά ακοής.

A-στάθμη ηχητικής πίεσης	$L_{pA} = 77.7 \text{ dB(A)}$
A-στάθμη ηχητικής ισχύος	$L_{WA} = 88.7 \text{ dB(A)}$
$K_{pA} \& K_{WA}$	3 dB(A)

ΠΛΗΡΟΦΟΡΙΕΣ ΣΧΕΤΙΚΑ ΜΕ ΤΟΥΣ ΚΡΑΔΑΣΜΟΥΣ

Προσοχή: Το ηλεκτρικό εργαλείο μπορεί να προκαλέσει σύνδρομο κραδασμού χεριού-βραχίονα εάν χρησιμοποιείται συχνά για παρατεταμένες χρονικές περιόδους χωρίς τακτικά διαλείμματα και εάν δεν φοριούνται προστατευτικά γάντια.

Τιμές κραδασμών (τριαξονικό διανυσματικό άθροισμα) υπολογισμένες σύμφωνα με το EN 60745.

Τιμή εκπομπής κραδασμών $a_{h,AG}$ για την κύρια χειρολαβή	5.74m/s ²
Τιμή εκπομπής κραδασμών $a_{h,AG}$ για την βοηθητική χειρολαβή	6.87m/s ²
Αβεβαιότητα K	1.5m/s ²

Προσοχή: Οι τιμές εκπομπής κραδασμών μπορεί να διαφέρουν από τις προαναφερθείσες, ανάλογα με τον τρόπο χρήσης του ηλεκτρικού εργαλείου, τα υλικά που κόβονται και αν:

- Το εργαλείο δεν βρίσκεται σε καλή κατάσταση και δεν συντηρείται τακτικά.
- Χρησιμοποιούνται εξαρτήματα που δεν ταιριάζουν με το εργαλείο.
- Ο δίσκος δεν είναι αιχμηρός.
- Δεν χρησιμοποιούνται εξαρτήματα κατά των κραδασμών.
- Το εργαλείο δεν χρησιμοποιείται όπως προβλέπεται.

ΠΡΟΟΡΙΖΟΜΕΝΗ ΧΡΗΣΗ

Το μηχάνημα προορίζεται για την κοπή, το ξεχόνδρισμα και το βούρτσισμα μεταλλικών και πέτρινων υλικών χωρίς τη χρήση νερού. Για την κοπή μετάλλου, πρέπει να χρησιμοποιείται ειδικό προστατευτικό κάλυμμα.

ΟΔΗΓΙΕΣ ΣΥΝΑΡΜΟΛΟΓΗΣΗΣ ΚΑΙ ΧΡΗΣΗΣ

Ενέργεια	Σχήμα
Πριν τη χρήση	
Αφαίρεση της μπαταρίας	Σχ. A1
Φόρτιση της μπαταρίας	Σχ. A2
Τοποθέτηση μπαταρίας Προσοχή: Ο δίσκος πρέπει να είναι ακίνητος πριν τοποθετήσετε την μπαταρία στο εργαλείο	Σχ. A3
Συναρμολόγηση	
Τοποθέτηση της βοηθητικής λαβής	Σχ. B
Τοποθέτηση του δίσκου	Σχ. C1, C2, C3
Τοποθέτηση του προστατευτικού του δίσκου Προσοχή: Το προστατευτικό κάλυμμα πρέπει να τοποθετείται εάν εργάζεστε με δίσκο κοπής. Χρησιμοποιήστε τον σωστό τύπο δίσκου για κάθε εφαρμογή. Ανοίξτε το μοχλό σύσφιξης. Τοποθετήστε το προστατευτικό του δίσκου στην εγκοπή της ατράκτου της κεφαλής του μηχανήματος και περιστρέψτε το στην προβλεπόμενη θέση. Για να στερεώσετε το προστατευτικό δίσκου, κλείστε τον μοχλό σύσφιξης. Η κλειστή πλευρά του δίσκου πρέπει να δείχνει πάντα προς τον χειριστή.	Σχ. D
Χρήση	
Χρήση του διακόπτη ON/OFF	Σχ. E
Έλεγχος μεταβλητής ταχύτητας	Σχ. F
Σημεία πρόσφυσης	Σχ. G
Ξεχόνδρισμα Προσοχή: Ποτέ μην χρησιμοποιείτε δίσκο κοπής για ξεχόνδρισμα	
Κοπή	Σχ. H

ΣΥΜΒΟΥΛΕΣ ΟΡΘΗΣ ΧΡΗΣΗΣ

- Κατά την εργασία, διατηρείτε πάντα μια γωνία 15-30 μοιρών μεταξύ του δίσκου και του τεμαχίου εργασίας. Μεγαλύτερες γωνίες μπορεί να προκαλέσουν ζημιά στον γωνιακό τροχό.
- Όταν χρησιμοποιείτε δίσκο κοπής, μην αλλάζετε ποτέ τη γωνία κοπής, διαφορετικά θα ακινητοποιηθεί ο δίσκος και θα σταματήσει το μοτέρ του γωνιακού τροχού ή θα σπάσει ο δίσκος. Να κόβετε μόνο προς την αντίθετη κατεύθυνση από την περιστροφή του δίσκου.
- Οι διαμαντόδισκοι μπορούν να χρησιμοποιηθούν για βέλτιστα αποτελέσματα κατά την κοπή πολύ σκληρών υλικών.
- Ο διαμαντόδισκος μπορεί να ζεσταθεί πολύ κατά τη χρήση. Εάν συμβεί αυτό, θα παραχθούν μεγάλες ποσότητες σπινθήρων περιμετρικά του δίσκου. Σταματήστε την κοπή και αφήστε τον διαμαντόδισκο να κρυώσει για 2-3 λεπτά.
- Βεβαιώνετε πάντα ότι το τεμάχιο εργασίας έχει στερεωθεί σταθερά για να μην μπορεί να μετακινηθεί.

ΣΥΝΤΗΡΗΣΗ

- Μην επιχειρήσετε να επισκευάσετε μόνοι σας οποιοδήποτε εξάρτημα του μηχανήματος.
- Μην χρησιμοποιείτε ποτέ νερό ή χημικά καθαριστικά για να καθαρίσετε το ηλεκτρικό εργαλείο. Σκουπίστε το με ένα στεγνό πανί.
- Φυλάσσετε πάντα το ηλεκτρικό εργαλείο σε στεγνό μέρος.
- Διατηρείτε τις σχισμές εξερισμού του μοτέρ καθαρές.
- Διατηρείτε το ηλεκτρικό εργαλείο απαλλαγμένο από σκόνη.
- Περιστασιακά μπορεί να δείτε σπινθήρες να περνούν μέσα από τις σχισμές εξερισμού. Αυτό είναι φυσιολογικό και δεν θα βλάψει το ηλεκτρικό εργαλείο.

ΕΠΙΛΥΣΗ ΠΡΟΒΛΗΜΑΤΩΝ

- Εάν ο δίσκος ταλαντεύεται ή δονείται, βεβαιωθείτε ότι η εξωτερική φλάντζα είναι σφιχτή, ελέγξτε ότι ο τροχός είναι σωστά τοποθετημένος στην πλάκα φλάντζας.
- Εάν έχει υποστεί οποιαδήποτε ζημιά ο δίσκος, μην τον χρησιμοποιήσετε, καθώς μπορεί να σπάσει και να προκαλέσει ζημιά στον χειριστή. Αφαιρέστε τον και αντικαταστήστε τον με έναν νέο δίσκο.
- Εάν κατεργάζεστε αλουμίνιο ή παρόμοιο μαλακό κράμα, ο δίσκος θα μπλοκάρει γρήγορα και δεν θα μπορέσει να κόψει αποτελεσματικά.

ΑΠΟΡΡΙΨΗ ΣΤΟ ΠΕΡΙΒΑΛΛΟΝ

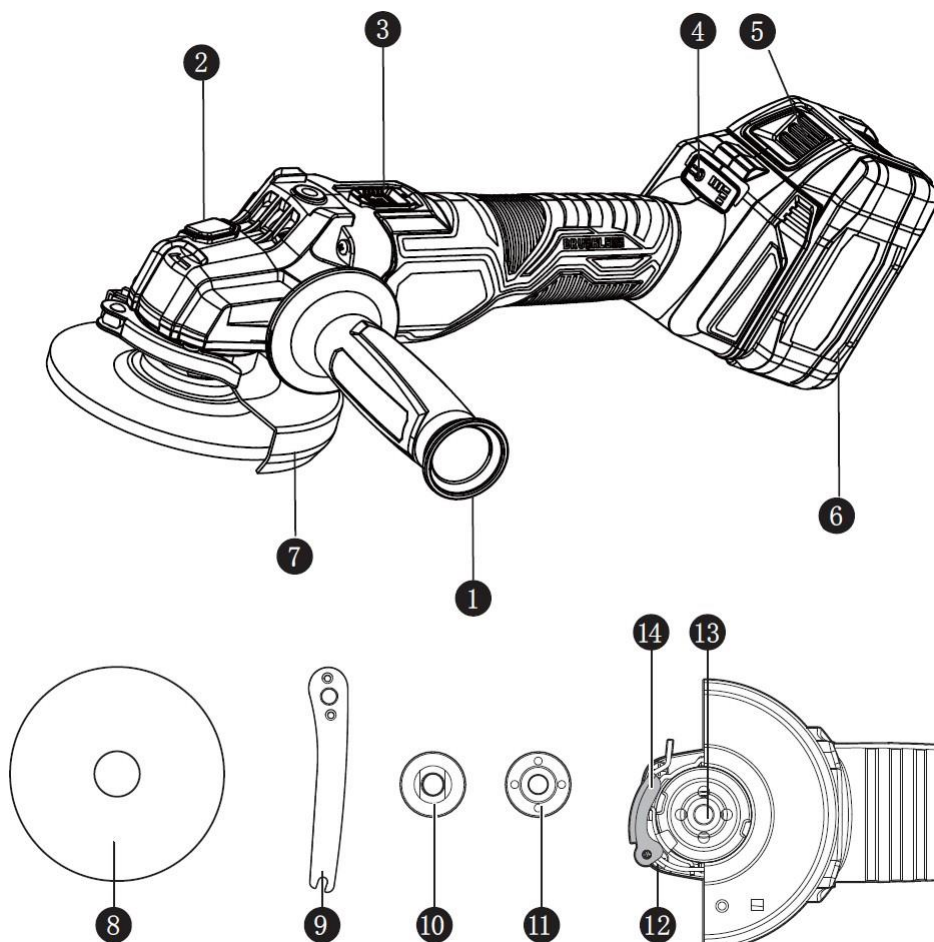
Προκειμένου να αποφευχθούν ζημιές κατά τη μεταφορά, το εργαλείο πρέπει να παραδίδεται σε στερεά συσκευασία. Η συσκευασία καθώς και η μονάδα και τα εξαρτήματα είναι κατασκευασμένα από ανακυκλώσιμα υλικά και μπορούν να απορριφθούν αναλόγως. Τα πλαστικά εξαρτήματα του εργαλείου φέρουν σήμανση ανάλογα με το υλικό τους, γεγονός που καθιστά δυνατή την απομάκρυνση φιλικών προς το περιβάλλον και διαφοροποιημένων λόγω των διαθέσιμων εγκαταστάσεων συλλογής.

**Μόνο για χώρες της Ευρωπαϊκής Ένωσης**

Μην πετάτε τα ηλεκτρικά εργαλεία μαζί με τα οικιακά απορρίμματα!

Σύμφωνα με την Ευρωπαϊκή Οδηγία 2002/96/ΕΚ για τα απόβλητα ηλεκτρικού και ηλεκτρονικού εξοπλισμού και την εφαρμογή της σύμφωνα με την εθνική νομοθεσία, τα ηλεκτρικά εργαλεία που έχουν φτάσει στο τέλος της ζωής τους πρέπει να συλλέγονται χωριστά και να επιστρέφονται σε μια περιβαλλοντικά συμβατή εγκατάσταση ανακύκλωσης.





- | | |
|--|----------------------------------|
| 1. Спомагателна дръжка | 8. Диск |
| 2. Бутон за заключване на шпиндела | 9. Ключ за гаечни ключове |
| 3. Превключвател ON/OFF | 10. Вътрешен фланец |
| 4. Променливо управление на скоростта | 11. Външен фланец |
| 5. Бутон за освобождаване на батерията | 12. Регулираща гайка на скобата |
| 6. Батерия | 13. Шпиндел |
| 7. Предпазител на колелото за шлайфане | 14. Затягащ лост на предпазителя |

СПЕЦИФИКАЦИИ

Технически данни	
Модел	BCD2635
Напрежение	DC 18 V
Тип на двигателя	Безчетков
Обороти на празен ход	3500/6000/8500 об/мин
Размер на диска	125 мм
Резба на вала	M14
Характеристики	Функция за плавен старт и защита от изключване, смяна на предпазителя на диска без инструменти, метален предпазител от прах
Включва	1x помощна дръжка, 1x комплект предпазител за дискове, 1x гаечен ключ, 1x акумулаторна батерия 3,0 Ah, 1x зарядно устройство 2,0 A с VDE щепсел, текстилна чанта

* Производителят си запазва правото да прави незначителни промени в дизайна и техническите спецификации на продуктите без предварително уведомление, освен ако тези промени не засягат значително работата и безопасността на продуктите. Частите, описани/илюстрирани на страниците на ръководството, което държите в ръцете си, може да се отнасят и за други модели от продуктова линия на производителя с подобни характеристики и може да не са включени в току-що придобития от вас продукт.

* За да се гарантира безопасността и надеждността на продукта и валидността на гаранцията, всички работи по ремонт, проверка или замяна, включително поддръжка и специални настройки, трябва да се извършват само от техници от оторизирания сервизен отдел на производителя.

* Винаги използвайте продукта с доставеното оборудване. Работата на продукта с оборудване, което не е доставено, може да доведе до неизправности или дори до сериозни наранявания или смърт. Производителят и вносителят не носят отговорност за наранявания и щети, възникнали в резултат на използването на несъответстващо на изискванията оборудване.

ИНСТРУКЦИИ ЗА БЕЗОПАСНОСТ

Внимание: Прочетете ръководството, преди да използвате този електроинструмент. Неспазването на предупрежденията и инструкциите може да доведе до токов удар, пожар и/или сериозно нараняване. След като прочетете ръководството, го съхранявайте на безопасно място за бъдещи справки.

Общи предупреждения за безопасност на електроинструментите

Безопасност в работната зона

- Поддържайте работната зона чиста и добре осветена. Тъмните или затрупани места могат да доведат до инциденти.
- Не работете с електроинструменти във взривоопасна атмосфера, например в присъствието на запалими течности или изпарения, газове или прах. Електроинструментите могат да създадат искри които могат да възпламенят газовете или изпаренията.
- Докато работите с електроинструмента, дръжте децата и околните на безопасно разстояние.

Електрическа безопасност

- Уверете се, че щепселите на електроинструментите съответстват на контакта. Никога не променяйте щепсела по какъвто и да е начин. Не използвайте адаптерни щепсели със заземени електроинструменти. Използването на немодифицирани щепсели и съответстващи контакти ще намали риска от токов удар.
- Избягвайте контакт на тялото със заземени материали или предмети, като например радиатори, тръби, печки и хладилници. Съществува огромен риск от токов удар, ако тялото ви е заземено или заземено.
- Не излагайте електроинструментите на дъжд или други влажни условия. Навлизането на вода в електроинструмента може да увеличи риска от токов удар.
- Не злоупотребявайте със захранващия кабел. Никога не използвайте кабела за пренасяне, дърпане или изключване на електрическия инструмент. Съхранявайте кабела на безопасно разстояние от топлина, масло, остри ръбове и всякакви движещи се части. Повредените или заплетени шнурове ще увеличат риска от токов удар.
- Когато работите с електрически инструмент на открито, използвайте удължител с подходящи спецификации за използване на открито. Използване на удължител кабел, подходящ за използване на открито, намалява риска от токов удар.
- Ако работата с електроинструмента на влажно място е неизбежна, използвайте захранване, което е защитено с дефектнотокова защита (ДТЗ - RCD). Използването на дефектнотокова защита намалява риска от токов удар.

Лична безопасност

- Бъдете нащрек, внимавайте какво правите и използвайте здрав разум, когато работите с електроинструмента. Не използвайте електроинструмента, ако се чувствате уморени или сте под въздействието на алкохол, наркотици или лекарства. Момент на невнимание по време на работа с електроинструмента може да доведе до сериозно нараняване на хора.
- Използвайте лични предпазни средства. Винаги носете предпазни очила. Защитното оборудване, като например маска против прах или защита на слуха, нехлъзгащи се предпазни обувки или защитни каски, използвани при подходящи условия, ще намалят личните наранявания.
- Предотвратяване на непреднамерено стартиране. Уверете се, че превключвателят на захранването е в изключено положение, преди да свържете към източника на захранване и/или акумулаторната батерия, да вдигнете или пренесете електроинструмента. Пренасянето на електроинструменти с пръст върху превключвателя на захранването или свързването на електроинструменти, чийто превключвател е във включено положение, към източник на захранване може да доведе до злополуки.
- Преди да включите електроинструмента, извадете всички регулиращи ключове или гаечни ключове. Ключ за регулиране или гаечен ключ, оставен прикрупен към въртяща се част на електроинструмента може да доведе до телесни повреди.
- Не прекалявайте. Поддържайте равновесие и правилна стойка през цялото време. Това помага на оператора да има по-добър контрол върху електроинструмента в неочаквани ситуации.
- Облечете се подходящо. Не носете свободни дрехи или бижута. Дръжте косата, дрехите и ръкавиците си далеч от движещите се части. Свободните дрехи, бижутата и/или дългата коса могат да бъдат захванати от движещите се части.

Използване и грижа за електроинструменти

- Не насилвайте електроинструмента. Използвайте подходящия електроинструмент за всяко приложение. Правилният електроинструмент винаги ще свърши работата по-добре и по-безопасно, когато се използва както е предвидено.
- Не използвайте електроинструмента, ако превключвателят не го активира или деактивира. Всеки електроинструмент, който не може да се управлява с превключвателя, е изключително опасен и трябва да бъдат ремонтирани.
- Изключете главния щепсел от източника на захранване и/или акумулаторната батерия от електроинструмента, преди да смените аксесоари, да извършвате каквито и да било настройки или да съхранявате електроинструмента. Тези превантивни мерки за безопасност ще намалят риска от случайно стартиране на електроинструмента.
- Когато електроинструментът не се използва, съхранявайте го на място, недостъпно за деца, и не позволявайте на лица, които не са запознати с електроинструмента или с тези инструкции, да го използват и да работят с него. Електроинструментите са изключително опасни в ръцете на необучени потребители.
- Поддържайте електроинструмента. Проверявайте за несъсност или обвързване на движещите се части, счупване на части, течове и всякакви други проблеми, които могат да повлияят на работата на електроинструмента. Ако е повреден, поправете електроинструмента преди да го използвате. Много злополуки и наранявания са причинени от лошо поддържани електроинструменти.
- Поддържайте режещите части на електроинструмента остри и чисти. Правилно поддържаните режещи инструменти с остри режещи ръбове е по-малко вероятно да се заклещат и са по-прецизни и по-лесни за управление.
- Винаги използвайте електроинструмента, аксесоарите, крайниците и др. в съответствие с инструкциите в това ръководство за експлоатация, като се съобразявате с условията на работа и работата, която трябва да се извърши. Използването на електроинструмента за приложения, различни от предвидените, може да доведе до телесни повреди или да причини повреда на електроинструмента.
- Поддържайте дръжките и всички повърхности за хващане на електроинструмента сухи, чисти и без масла и мазнини. Хлъзгавите дръжки и повърхности за хващане не позволяват безопасно боравене с инструмента при неочаквани обстоятелства.

Използване и грижа за акумулаторните инструменти

- Зареждайте батериите само със зарядното устройство, посочено от производителя. Зарядно устройство, което се използва за зареждане на неподходящи батерии, може да създаде риск от пожар.
- Използвайте електроинструмента само със специално предназначения за целта батерии. Използването на други акумулаторни батерии може да доведе до риск от нараняване и пожар.
- Когато батерията не се използва, я дръжте далеч от други метални предмети, като например щипки за хартия, монети, ключове, пирони, винтове или други малки метални предмети, които могат да направят връзка между един и друг терминал.
- Късото съединяване на клемите на акумулатора може да доведе до изгаряния или пожар.
- При неблагоприятни условия от батерията може да се изхвърли течност; избягвайте контакт.
- При случаен контакт изплакнете с вода. Ако течността попадне в очите, незабавно потърсете медицинска помощ. Течността, изхвърлена от батерията, може да предизвика дразнене или изгаряния.

Сервиз

- Възложете сервизното обслужване на електроинструмента на квалифициран сервизен персонал, като използвате само идентични резервни части. Това ще гарантира, че безопасността на електроинструмента е поддържана.
- Никога не се опитвайте сами да ремонтирате повредени акумулаторни батерии. Сервизното обслужване на акумулаторните батерии трябва да се извършва само от производителя или от оторизирани сервизни техници.

Инструкции за безопасност за ъглошлайфи

- Този електроинструмент е предназначен за работа като шлайф или инструмент за рязане.
- Не се препоръчва с този електроинструмент да се извършват операции като шлайфане, почистване с телена четка и полиране. Използване на електроинструмента за изпълнение на задачи различни от тези, за които е предназначен, може да създаде опасност и да причини телесни повреди.
- Не използвайте аксесоари, които не са специално проектирани и препоръчани от производителя на инструмента. Безопасната работа не е гарантирана само защото към електроинструмента може да бъде прикрепен аксесоар.
- Номиналната честота на въртене на аксесоара трябва да бъде най-малко равна на максималната честота на въртене, отбелязана върху електроинструмента. Аксесоари, работещи с по-висока от номиналната си скорост, могат да се счупят и да изхвърчат от инструмента.
- Външният диаметър и дебелината на даден аксесоар трябва да са в рамките на номиналния капацитет на електроинструмента. Неправилно оразмерените аксесоари не могат да бъдат адекватно охранявани или контролирани.
- Монтажът на аксесоарите трябва да съответства на резбата на шпиндела на шлайфмашината. За аксесоари, монтирани чрез фланци, отворът на аксесоара трябва да съответства на диаметъра на фланца. Аксесоари, които не съответстват на монтажния обков на електроинструмента, ще вибрират прекомерно и могат да причинят загуба на контрол.
- Не използвайте повреден аксесоар. Преди всяка употреба проверявайте аксесоара, например абразивните дискове за стружки и пукнатини, подложката за пукнатини, разкъсване или прекомерно износване, телената четка за разхлабени или напукани жици. Ако електроинструментът или аксесоарът бъдат изпуснати, проверете за повреди или монтирайте неповредения аксесоар. След проверка и инсталиране на аксесоар се разположете на разстояние от движещата се част, уверете се, че страничните лица са на безопасно разстояние от движещата се част и след това пуснете електроинструмента на максимална скорост без натоварване за една минута.
- Повредените аксесоари обикновено се разпадат по време на този тест.
- Носете лични предпазни средства. В зависимост от приложението използвайте предпазен щит за лице, защитни очила или предпазни очила. При необходимост носете противопрахова маска, предпазни средства за слуха, ръкавици и защитно облекло, способно да спира малки абразивни частици или частици от детайла. Защитата на очите трябва да може да спира летящи отломки, образувани по време на работа. Прахозащитната маска или респираторът трябва да могат да филтрират частиците, образувани по време на работа. Продължителното излагане на високоинтензивен шум може да доведе до загуба на слуха.
- Дръжте страничните лица на безопасно разстояние от работната зона. Всеки, който влиза в работната зона, трябва да носи лични предпазни средства.
- Фрагменти от обработвания детайл или от счупен аксесоар могат да изхвърчат с висока скорост и да причинят наранявания извън непосредствената зона на работа.
- Дръжте електроинструмента само за изолираните повърхности за захващане. Контактът с проводник под напрежение ще направи откритите метални части на електроинструмента също "под напрежение" и може да доведе до токов удар за оператора.
- Никога не поставяйте електроинструмента, докато аксесоарът не спре напълно. Операторът може да изгуби контрол над електроинструмента в резултат на това, че въртящият се аксесоар ще докосне земята.
- Не пускайте електроинструмента, докато го носите отстрана. Случаен контакт с въртящия се аксесоар може да закачи дрехите ви и да завлече аксесоара в тялото ви.
- Редовно почиствайте въздушните отвори на електроинструмента. Вентилаторът на мотора засмуква праха в корпуса и прекомерното натрупване на метален прах може да причини електрически опасности.
- Не работете с електроинструмента в близост до запалими материали. Искрите могат да възпламенят тези материали.
- Не използвайте аксесоари, които изискват течни охлаждащи течности. Използването на вода или други течни охлаждащи течности може да доведе до токов удар или поражение от електрически ток.
- По време на работа хванете дръжката. Винаги използвайте допълнителните дръжки, доставени с инструмента. Загубата на контрол може да доведе до телесни наранявания.
- Използвайте само шлайфащи дискове, които са препоръчани за електроинструмента, и специфичния предпазител, предназначен за избрания диск.
- Предпазителят трябва да е здраво закрепен към електроинструмента и да е разположен по такъв начин, че да осигурява максимална безопасност, така че колелото да е изложено в най-малка степен към оператора.
- Шлифовъчните дискове трябва да се използват само за препоръчаните приложения.
- Винаги използвайте неповредени фланци, които са с правилен размер и форма за избраното колело.
- Не използвайте шлифовъчни дискове, предназначени за по-големи електрически инструменти.
- Не оказвайте прекомерен натиск върху обработвания детайл с шлифовъчния диск. Не насилвайте електроинструмента да реже прекалено дълбоко.
- Когато колелото е заседнало или когато прекъсвате рязането по някаква причина, изключете електроинструмента и го дръжте неподвижен, докато колелото спре напълно. Никога не се опитвайте да изваждате режещия диск от обработвания детайл, докато дискът е в движение, в противен случай може да се получи обратен удар.
- Уверете се, че шлифовъчният диск не докосва никаква повърхност, преди да го включите.
- Винаги оставайте шлайфащия диск да достигне пълна скорост, преди да се опитате да режете с него.
- По време на рязане правете бавни движения към обработвания детайл.
- Подпорите трябва да се поставят под големи детайли и в близост до ръбовете им, за да се сведе до минимум рискът от откат.
- Бъдете особено внимателни, когато режете в стени или други зони, където може да има скрити газова или водопроводни тръби. Контакт на шлифовъчния диск със скрита газова или водопроводна тръба може да доведе до обратен удар.

Откат

Откатът може да доведе до тежки и дори фатални инциденти. Откатът се получава, когато ъглошлайфът се захваща или заклещва в обработвания детайл при рязане. Това води до бързо спиране на въртящия се аксесоар и на свой ред до движение на електроинструмента в посока, обратна на въртенето на аксесоара. Откатът може да доведе до загуба на контрол над инструмента от страна на оператора и той може да удари работника или да бъде изпуснат, причинявайки наранявания на стъпалата и краката. Откатът е резултат от неправилна употреба на електроинструмента и може да бъде избегнат чрез предприемане на подходящи предпазни мерки, посочени по-долу:

- Поддържайте здрав захват на електроинструмента и позиционирайте тялото и ръката си по такъв начин, че да увеличите степента на контрол върху електроинструмента в случай на настъпва откат. Винаги използвайте спомагателната ръкохватка, ако е предвидена, за максимален контрол върху отката или реакциите на въртящия момент по време на пускане.
- Дръжте ръцете си далеч от въртящия се аксесоар.
- Не поставяйте тялото си в зоната, в която електроинструментът ще се движи, ако възникне откат.
- Обърнете специално внимание при работа с ъгли, остри ръбове и др.
- Не прикрепвайте към електроинструмента верига за рязане, нож за дърворезба или зъбно колело.

Инструкции за безопасност за акумулаторния блок

- Не разглобявайте, не отваряйте, не разбивайте и не изгаряйте батерията.
- Не свързвайте акумулаторната батерия накъсо. Не съхранявайте акумулаторния блок на неподходящо място в кутия или чекмедже, където те могат да се свържат накъсо или да се свържат накъсо от проводящи материали. Когато батерийният пакет не се използва, го дръжте далеч от други метални предмети, като щипки за хартия, монети, ключове, пирони, винтове или други малки метални предмети, които могат да направят връзка от един терминал към друг. Скъсяването на клемите на батерията може да доведе до изгаряния или пожар.
- Не излагайте батерията на източници на топлина или огън.
- Избягвайте да съхранявате на пряка слънчева светлина.
- Не подлагайте акумулаторния блок на механични удари.
- В случай на изтичане на батерията не позволявайте течността да влезе в контакт с кожата или очите. Ако е имало контакт, измийте засегнатото място с обилно количество вода и потърсете лекарски съвет.
- При поглъщане на акумулаторна батерия незабавно потърсете медицинска помощ.
- Поддържайте батерията чиста и суха.
- Избършете клемите на акумулаторната батерия с чиста и суха кърпа, ако се замърсят.
- Батерията трябва да се зареди преди употреба.
- Използвайте правилната процедура за зареждане.
- След продължително съхранение може да се наложи няколко пъти да зареждате и разреждате акумулаторния блок, за да постигнете максимална производителност.
- Батерията работи оптимално при нормална стайна температура ($20^{\circ}\text{C} \pm 5^{\circ}\text{C}$).
- Зареждайте само с посоченото зарядно устройство. Не използвайте зарядно устройство, различно от предоставеното.
- Не използвайте батерии, които не са предназначени за използване с оборудването.
- Съхранявайте батерията на място, недостъпно за деца.
- Извадете батерията от оборудването, когато не го използвате.
- Спазвайте знаците плюс (+) и минус (-) върху батерията и се уверете, че тя се използва правилно.
- Уверете се, че батерията е извадена преди смяна на аксесоарите и преди техническо обслужване или ремонт.

ИНФОРМАЦИЯ ЗА ШУМА

Предупреждение: Носете защита на слуха.

A-претеглено звуково налягане	$L_{pA}=77,7 \text{ dB(A)}$
A-претеглена звукова мощност	$L_{WA}=88,7 \text{ dB(A)}$
K_{pA} & K_{WA}	3 dB(A)

ИНФОРМАЦИЯ ЗА ВИБРАЦИИТЕ

Предупреждение: Този електроинструмент може да предизвика синдром на вибрациите на ръцете и ръцете, ако се използва често и продължително време без редовни почивки и ако не се носят защитни ръкавици.

Общи стойности на вибрациите (триосна векторна сума), определени в съответствие с EN 60745.

Стойност на емисиите на вибрации $a_{h,AG}$ за основната дръжка	$5,74 \text{ m/s}^2$
Стойност на излъчване на вибрации $a_{h,AG}$ за спомагателната дръжка	$6,87 \text{ m/s}^2$
Несигурност K	$1,5 \text{ m/s}^2$

Предупреждение: Стойностите на вибрационните емисии могат да се различават от горепосочените в зависимост от начина на използване на електроинструмента, режените материали и ако:

- Инструментът не е в добро състояние и не се поддържа добре.
- Използват се аксесоари, които не съответстват на инструмента.
- Шлифовъчният диск или други въртящи се принадлежности не са остри.
- Не се използват антивибрационни аксесоари.
- Инструментът не се използва по предназначение.

ПРЕДНАЗНАЧЕНА ПОЛЗА

Машината е предназначена за рязане, грубо обработване и четкане на метални и каменни материали без използване на вода. За рязане на метал трябва да се използва специален предпазен кожух за рязане.

ИНСТРУКЦИИ ЗА МОНТАЖ И ЕКСПЛОАТАЦИЯ

Действие	Фигура
Преди работа	
Изваждане на акумулаторния блок	Фиг. А1
Зареждане на батерията	Фиг. А2
Инсталиране на акумулаторния блок Предупреждение: Шлайфът трябва да е напълно неподвижен, преди да поставите батерията.	Фиг. А3
Сглобяване	
Сглобяване на спомагателната дръжка	Фиг. В
Сглобяване на шлифовъчния диск/режещия диск	Фиг. С1, С2, С3
Регулиране на предпазителя на колелата Внимание: При работа с шлифовъчен или режещ диск трябва да се монтира предпазният кожух. Използвайте правилния тип колело/диск за всяко приложение. Отворете затягащия лост. Поставете предпазителя на колелото в жлеба на шпиндела на главата на машината и го завъртете в желаната позиция. За да закрепите предпазителя на колелото, затворете затягащия лост. Затворената страна на колелото трябва винаги да сочи към оператора.	Фиг. D
Операция	
Използване на превключвателя ON/OFF	Фиг. Е
Променливо управление на скоростта	Фиг. F
Области на захващане на ръцете	Фиг. G
Грубо шлайфане Предупреждение: Никога не използвайте режещ диск за груба обработка	
Рязане	Фиг. H

СЪВЕТИ ЗА ПРАВИЛНА РАБОТА

- По време на работа винаги поддържайте ъгъл от 15-30 градуса между диска и обработвания детайл. По-големите ъгли могат да повредят ъглошлайфа.
- Когато използвате режещ диск, никога не променяйте ъгъла на рязане, защото в противен случай дискът и двигателят на ъглошлайфа ще се застопорят или дискът ще се счупи. Когато режете, режете само в посока, обратна на въртенето на диска.
- Диамантените дискове могат да се използват за постигане на най-добри резултати при рязане на много твърди материали.
- Когато използвате диамантен диск, той може да стане много горещ. Ако това се случи, около въртящия се диск ще се появи пръстен от искри. Преустановете рязането и оставете диамантения диск да се охлади за 2-3 минути.
- Винаги се уверявайте, че обработваният детайл е здраво захванат или притиснат, за да се предотврати неговото преместване.

ПОДДЪРЖАНЕ

- Не се опитвайте да ремонтирате сами части на машината.
- Никога не използвайте вода или химически почистващи препарати за почистване на електроинструмента. Почиствайте със суха кърпа.
- Винаги съхранявайте електроинструмента на сухо място.
- Поддържайте вентилационните отвори на двигателя чисти.
- Пазете електроинструмента от прах.
- Понякога може да се появят искри през вентилационните отвори. Това е нормално и няма да повреди електроинструмента.

ОТСТРАНЯВАНЕ НА НЕИЗПРАВНОСТИ

- Ако шлифовъчният диск се клати или вибрира, уверете се, че външният фланец е затегнат, проверете дали дискът е правилно разположен върху фланцовата плоча.
- Ако има данни, че колелото е повредено, не го използвайте, тъй като повреденото колело може да се счупи и да повреди оператора. Отстранете го и го заменете с ново колело.
- Ако работите с алуминий или подобна мека сплав, колелото бързо ще се задръсти и няма да шлифова ефективно.

ЕКОЛОГИЧНО ОБЕЗВРЕЖДАНЕ

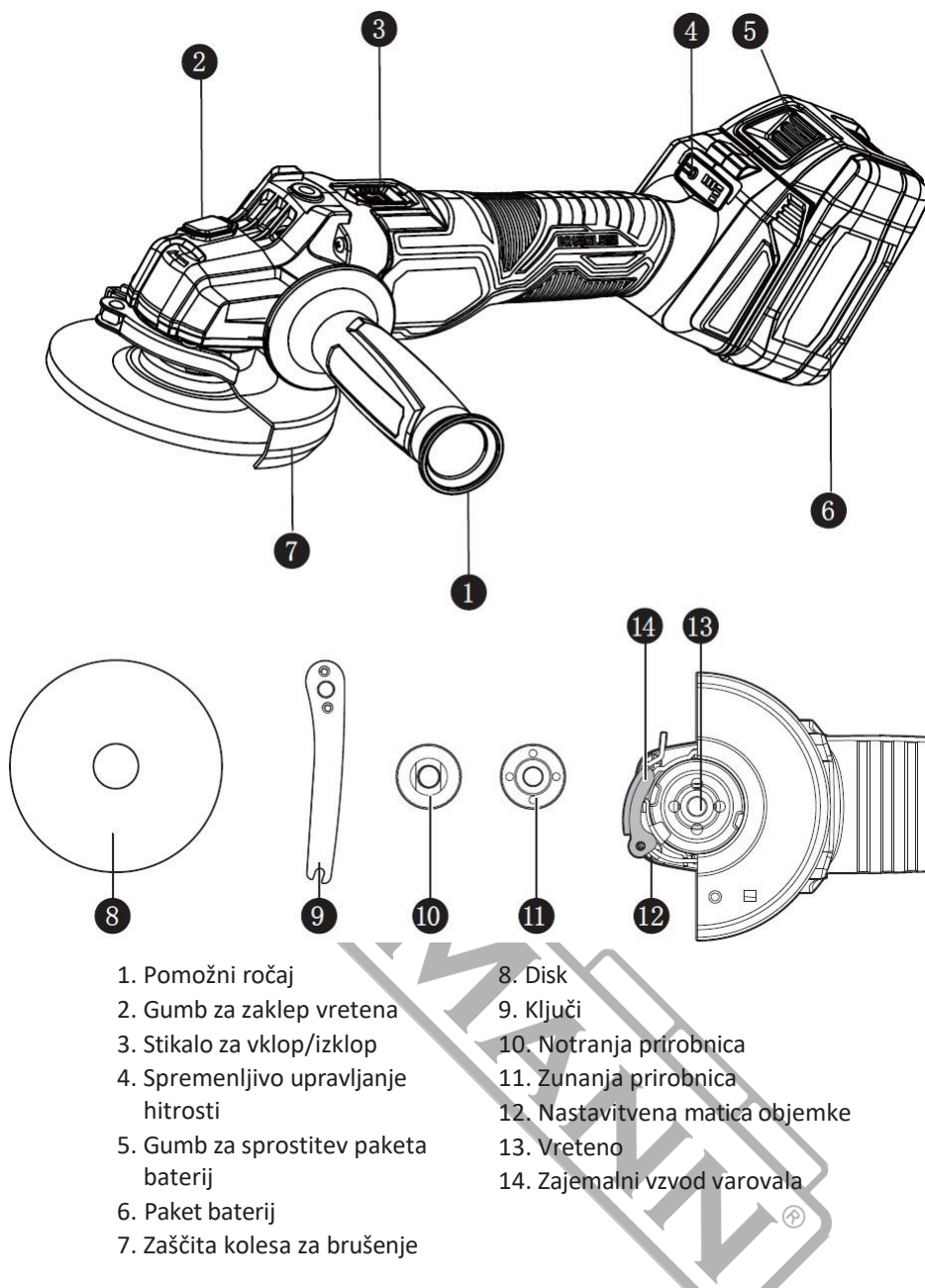
За да се избегнат повреди при транспортиране, инструментът трябва да се достави в здрава опаковка. Опаковката, както и устройството и аксесоарите, са изработени от рециклируеми материали и могат да бъдат изхвърлени по съответния начин. Пластмасовите компоненти на инструмента са маркирани според материала, от който са изработени, което прави възможно отстраняването на екологични и диференцирани поради наличните съоръжения за събиране.



Само за страни от ЕС

Не изхвърляйте електрически инструменти заедно с битови отпадъци!

В съответствие с Европейската директива 2002/96/ЕО относно отпадъците от електрическо и електронно оборудване и нейното прилагане в съответствие с националното законодателство, електрическите инструменти, чийто живот е изтекъл, трябва да се събират отделно и да се връщат в екологично съвместимо съоръжение за рециклиране.



- | | |
|--------------------------------------|---------------------------------|
| 1. Pomožni ročaj | 8. Disk |
| 2. Gumb za zaklep vretena | 9. Ključi |
| 3. Stikalo za vklop/izklop | 10. Notranja prirobnica |
| 4. Spremenljivo upravljanje hitrosti | 11. Zunanja prirobnica |
| 5. Gumb za sprostitev paketa baterij | 12. Nastavitvena matica objemke |
| 6. Paket baterij | 13. Vreteno |
| 7. Zaščita kolesa za brušenje | 14. Zajemalni vzvod varovala |

SPECIFIKACIJE

Tehnični podatki	
Model	BCD2635
Napetost	DC 18 V
Vrsta motorja	Brezkrtačni
Št. vrtljajev v prostem teku	3500/6000/8500 vrtlj./min
Velikost diska	125 mm
Navoj gredi	M14
Značilnosti	Funkcija mehkega zagona in zaščita pred izklopom, menjava varovala diska brez orodja, kovinsko varovalo pred prahom
Vključuje	1x pomožni ročaj, 1x komplet za zaščito diska, 1x ključ, 1x baterija 3,0Ah, 1x polnilec 2,0A z vtičem VDE, torba iz blaga

* Proizvajalec si pridržuje pravico do manjših sprememb zasnovne in tehničnih specifikacij izdelka brez predhodnega obvestila, razen če te spremembe bistveno vplivajo na delovanje in varnost izdelkov. Deli, opisani/prikazani na straneh priročnika, ki ga držite v rokah, se lahko nanašajo tudi na druge modele proizvajalčeve linije izdelkov s podobnimi lastnostmi in morda niso vključeni v izdelek, ki ste ga pravkar pridobili.

* Da bi zagotovili varnost in zanesljivost izdelka ter veljavnost garancije, smejo vsa popravila, preglede ali zamenjave, vključno z vzdrževanjem in posebnimi nastavitvami, opravljati le tehniki pooblaščenega servisnega oddelka proizvajalca.

* Izdelek vedno uporabljajte s priloženo opremo. Uporaba izdelka z opremo, ki ni priložena, lahko povzroči nepravilno delovanje ali celo hude telesne poškodbe ali smrt. Proizvajalec in uvoznik ne odgovarjata za poškodbe in škodo, ki so posledica uporabe neustrezne opreme.

VARNOSTNA NAVODILA

Pozornost: Pred uporabo tega električnega orodja preberite priročnik. Neupoštevanje opozoril in navodil lahko povzroči električni udar, požar in/ali hude telesne poškodbe. Ko preberete priročnik, ga shranite na varnem mestu za kasnejšo uporabo.

Splošna varnostna opozorila za električna orodja

Varnost na delovnem mestu

- Delovno območje naj bo čisto in dobro osvetljeno. Temna ali nepregledna območja lahko povzročijo nesreče.
- Električnega orodja ne uporabljajte v eksplozivnih okoljih, kot so vnetljive tekočine ali hlapi, plini ali prah. Električna orodja lahko povzročijo iskre ki lahko vžgejo pline ali hlape.
- Med delovanjem električnega orodja naj bodo otroci in mimoidoči na varni razdalji.

Električna varnost

- Prepričajte se, da vtiči električnega orodja ustrezajo vtičnici. Vtiča ne spreminjajte na noben način. Ne uporabljajte adapterskih vtičev z ozemljenimi električnimi orodji. Z uporabo nespremenjenih vtičev in ustreznih vtičnic boste zmanjšali tveganje električnega udara.
- Izogibajte se telesnemu stiku z ozemljenimi ali ozemljenimi materiali ali predmeti, kot so radiatorji, cevi, štedilniki in hladilniki. Če je vaše telo ozemljeno ali ozemljeno, obstaja ogromna nevarnost električnega udara.
- Električnih orodij ne izpostavljajte dežju ali drugim mokrim razmeram. Vdor vode v električno orodje lahko poveča nevarnost električnega udara.
- Ne zlorablajte napajalnega kabla. Nikoli ne uporabljajte kabla za prenašanje, vlečenje ali odklop električnega orodja. Kabel hranite na varni razdalji od vročine, olja, ostrih robov in vseh gibljivih delov. Poškodovane ali zapletene vrvice povečajo tveganje električnega udara.
- Če električno orodje uporabljate na prostem, uporabite podaljšek z ustreznimi specifikacijami za uporabo na prostem. Uporaba podaljška kabel, primeren za zunanjo uporabo, zmanjšuje nevarnost električnega udara.
- Če se ne morete izogniti uporabi električnega orodja na vlažnem mestu, uporabite napajalnik, ki je zaščiten z zaščitno napravo za diferenčni tok (RCD). Uporaba take naprave zmanjša tveganje električnega udara.

Osebnostna varnost

- Bodite pozorni, pazite, kaj počnete, in pri delu z električnim orodjem uporabljajte zdravo pamet. Električnega orodja ne uporabljajte, če ste utrujeni ali pod vplivom alkohola, drog ali zdravil. Trenutek nepozornosti med upravljanjem električnega orodja lahko povzroči hude telesne poškodbe.
- Uporabljajte osebno zaščitno opremo. Vedno nosite zaščito za oči. Zaščitna oprema, kot so maska proti prahu ali zaščita sluha, nedrseči varnostni čevlji ali zaščitne čelade, ki se uporabljajo v ustreznih pogojih, zmanjšajo število osebnih poškodb.
- Preprečite nenamerni zagon. Pred priključitvijo na vir napajanja in/ali akumulatorski sklop, dvigovanjem ali prenašanjem električnega orodja se prepričajte, da je stikalo za napajanje v izklopljenem položaju. Prenašanje električnega orodja s prstom na stikalu za vklop ali priključitev električnega orodja, ki ima stikalo v vklopljenem položaju, na vir napajanja lahko privede do nesreč.
- Pred vklopom električnega orodja odstranite nastavitvene ključe ali ključ. Nastavitveni ključ ali ključ, ki ostane pritrjen na vrteči se del električnega orodja lahko povzroči telesne poškodbe.
- Ne pretiravajte. Ves čas ohranjajte ravnotežje in pravi korak. To pomaga upravljavcu, da bolje obvladuje električno orodje v nepričakovanih situacijah.
- Ustrezno se oblecite. Ne nosite ohlapnih oblačil ali nakita. Lasje, oblačila in rokavice naj ne bodo v bližini gibljivih delov. Ohlapna oblačila, nakit in/ali dolgi lasje se lahko ujamejo v gibljive dele.

Uporaba in nega električnega orodja

- Električnega orodja ne pritiskajte na silo. Za vsako uporabo uporabite ustrezno električno orodje. Z ustreznim električnim orodjem bo delo vedno opravljeno bolje in varneje, če ga boste uporabljali, kot je predvideno.
- Električnega orodja ne uporabljajte, če stikalo ne aktivira ali deaktivira. Vsako električno orodje, ki ga ni mogoče upravljati s stikalom, je izredno nevarna in jo je treba popraviti.
- Pred menjavo pribora, kakršnikoli nastavitvami ali shranjevanjem električnega orodja izključite glavni vtič iz vira napajanja in/ali akumulatorsko baterijo iz električnega orodja. Takšni preventivni varnostni ukrepi bodo zmanjšali nevarnost nenamernega zagona električnega orodja.
- Če električnega orodja ne uporabljate, ga shranite zunaj dosega otrok in ne dovolite, da bi ga uporabljale in upravljale osebe, ki niso seznanjene z električnim orodjem ali temi navodili. Električna orodja so v rokah neusposobljenih uporabnikov zelo nevarna.
- Vzdrževanje električnega orodja. Preverite, ali so gibljivi deli napačno poravnani ali vezani, ali se deli lomijo, ali prihaja do puščanja in drugih težav, ki bi lahko vplivale na delovanje električnega orodja. Če je električno orodje poškodovano, ga pred uporabo popravite. Veliko nesreč in poškodb je posledica slabo vzdrževanega električnega orodja.
- Rezalni deli električnega orodja naj bodo ostri in čisti. Pravilno vzdrževana rezalna orodja z ostrimi rezalnimi robovi se redkeje zataknejo in so bolj natančna in lažje obvladljiva.
- Električno orodje, dodatno opremo, nastavke itd. vedno uporabljajte v skladu z navodili iz tega priročnika, ob upoštevanju delovnih pogojev in dela, ki ga je treba opraviti. Uporaba električnega orodja za namene, ki niso predvideni, lahko povzroči telesne poškodbe ali poškodbe električnega orodja.
- Ročaji in vse oprijemalne površine električnega orodja naj bodo suhi, čisti ter brez olja in maščobe. Spolzki ročaji in oprijemalne površine ne omogočajo varno ravnanje z orodjem v nepričakovanih okoliščinah.

Uporaba in nega baterijskega orodja

- Baterije polnite samo s polnilnikom, ki ga je določil proizvajalec. Polnilec, ki se uporablja za polnjenje neustreznih baterij, lahko povzroči nevarnost požara.
- Električno orodje uporabljajte samo s posebej za to namenjenimi baterijskimi paketi. Uporaba drugih baterijskih vložkov lahko povzroči nevarnost poškodb in požara.
- Ko baterijskega vložka ne uporabljate, ga hranite stran od drugih kovinskih predmetov, kot so sponke za papir, kovanci, ključi, žbljji, vijaki ali drugi majhni kovinski predmeti, ki lahko naredijo povezavo z enega na drug terminal.
- Kratkoročno stikanje priključkov akumulatorja lahko povzroči opeklino ali požar.
- V slabih razmerah lahko iz baterije izteče tekočina; izogibajte se stiku z njo.
- Če slučajno pride do stika, ga sperite z vodo. Če tekočina pride v oči, takoj poiščite zdravniško pomoč. Tekočina, ki se izloča iz baterije, lahko povzroči draženje ali opeklino.

Servis

- Električno orodje naj servisira usposobljeno servisno osebje, ki uporablja samo enake nadomestne dele. S tem boste zagotovili varnost električnega orodja. vzdrževani.
- Nikoli ne poskušajte sami popravljati poškodovanih akumulatorskih baterij. Servisiranje baterijskih paketov lahko opravlja le proizvajalec ali pooblaščen servisierji.

Varnostna navodila za kotne brusilnike

- To električno orodje je namenjeno za delovanje kot brusilnik ali orodje za rezanje.
- S tem električnim orodjem ni priporočljivo izvajati postopkov, kot so brušenje, žično krtačenje in poliranje. Uporaba električnega orodja za izvajanje nalog ki niso namenjeni za izvajanje, lahko povzročijo nevarnost in telesne poškodbe.
- Ne uporabljajte dodatkov, ki jih proizvajalec orodja ni posebej zasnoval in priporočil. Varno delovanje ni zagotovljeno samo zato, ker je na električno orodje mogoče pritrčiti dodatno opremo.
- Nazivna hitrost dodatne opreme mora biti vsaj enaka največji hitrosti, označeni na električnem orodju. Pribor, ki deluje hitreje od svoje nazivne hitrosti, se lahko zlomi in izleti iz orodja.
- Zunanji premer in debelina posameznega pribora morata biti v okviru zmogljivosti električnega orodja. Nepravilno dimenzionirane dodatne opreme ni mogoče ustrezno varovani ali nadzorovani.
- Navojna pritrditvena pribora se mora ujemati z navojem vretena brusilnika. Pri dodatkih, ki se montirajo s prirobnicami, se mora luknja za nastavek dodatka ujemati z nastavitvenim premerom prirobnice. Dodatki, ki se ne ujemajo z montažno opremo električnega orodja, bodo prekomerno vibrirali in lahko povzročijo izgubo nadzora.
- Ne uporabljajte poškodovane dodatne opreme. Pred vsako uporabo pregledajte pribor, kot so brusilna kolesa, da ne vsebujejo drobcev in razpok, podložno ploščico, da ni razpok, raztrganin ali prekomerne obrabe, žično krtačo, da ni zrahljanih ali razpokanih žic. Če električno orodje ali pribor pade, preverite, ali je poškodovan, ali namestite nepoškodovan pribor. Po pregledu in namestitvi dodatne opreme se namestite stran od gibajočega se dela, poskrbite, da so mimoidoči na varni razdalji od gibajočega se dela, nato pa eno minuto poganjajte električno orodje pri največji hitrosti brez obremenitve.
- Poškodovana dodatna oprema se v tem preskusnem času običajno razbije.
- Nosite osebno zaščitno opremo. Odvisno od načina uporabe uporabljajte ščitnik za obraz, zaščitna očala ali zaščitna stekla. Po potrebi nosite masko proti prahu, zaščitno za sluh, rokavice in zaščitna oblačila, ki lahko zadržijo majhne drobce abraziva ali obdelovanca. Zaščita za oči mora biti sposobna zaustaviti leteče delce, ki nastanejo med delovanjem. Maska proti prahu ali respirator morata biti sposobna filtrirati delce, ki nastanejo med delovanjem. Dolgotrajna izpostavljenost hrupu visoke jakosti lahko povzroči izgubo sluha.
- Okoliške osebe naj bodo na varni razdalji od delovnega območja. Vsi, ki vstopajo na delovno območje, morajo nositi osebno zaščitno opremo.
- Delci obdelovanca ali zlomljenega pripomočka lahko z veliko hitrostjo odletijo in povzročijo poškodbe zunaj neposrednega območja delovanja.
- Električno orodje držite samo za izolirane oprijemalne površine. Ob stiku z žico pod napetostjo so pod napetostjo tudi izpostavljeni kovinski deli električnega orodja in lahko povzročijo električni udar.
- Električnega orodja nikoli ne odložite, dokler se pripomoček popolnoma ne ustavi. Upravljalavec lahko zaradi vrtenja električnega orodja izgubi nadzor nad njim. dodatek, ki se dotika tal.
- Ne poganjajte električnega orodja, če ga nosite ob sebi. Naključni stik z vrtečim se pripomočkom se lahko zatakne za vaša oblačila in pripomoček potegne v vaše telo.
- Redno čistite zračne odprtine električnega orodja. Ventilator motorja bo v notranjost ohišja vlekel prah, prekomerno kopičenje kovinskega prahu pa lahko povzroči električne nevarnosti.
- Električnega orodja ne uporabljajte v bližini vnetljivih materialov. Iskre lahko te materiale vžgejo.
- Ne uporabljajte dodatne opreme, ki zahteva tekoča hladilna sredstva. Uporaba vode ali drugih tekočih hladil lahko povzroči električni udar ali šok.
- Med delovanjem primite ročaj. Vedno uporabljajte pomožna držala, ki so priložena orodju. Izguba nadzora lahko povzroči telesne poškodbe.
- Uporabljajte samo brusilna kolesa, ki so priporočena za električno orodje, in posebno varovalo, namenjeno izbranemu kolesu.
- Varovalo mora biti varno pritrjeno na električno orodje in nameščeno tako, da je varnost čim večja, da je kolo čim manj izpostavljeno proti operaterja.
- Brusilne plošče se smejo uporabljati samo za priporočene namene.
- Vedno uporabljajte nepoškodovane kolesne prirobnice, ki so pravilne velikosti in oblike za izbrano kolo.
- Ne uporabljajte brusilnih kolutov, namenjenih za večja električna orodja.
- Z brusilnim kolutom ne pritiskajte pretirano na obdelovanec. Ne silite električnega orodja, da bi rezalo pregloboko.
- Če se kolo zatakne ali če iz kakršnega koli razloga prekinete rez, izklopite električno orodje in ga držite nepremično, dokler se kolo popolnoma ne ustavi. Nikoli ne poskušajte odstraniti odrezovalnega kolesa z obdelovanca, ko je kolo v gibanju, sicer lahko pride do povratnega udarca.
- Pred vklopom se prepričajte, da se brusilni kolut ne dotika nobene površine.
- Vedno pustite, da brusilni kolut doseže polno hitrost, preden z njim poskušate rezati.
- Med rezanjem se počasi premikajte proti obdelovancu.
- Podstavke je treba namestiti pod velike obdelovance in blizu njihovih robov, da se zmanjša nevarnost povratnega udarca.
- Pri rezanju v stene ali druga območja, kjer so lahko skrite plinske ali vodovodne cevi, bodite še posebej previdni. Stik brusilnega kolesa s skrito plinsko ali vodovodno cevjo lahko povzroči povratni udarec.

Povratni udarec

Povratni udarec lahko povzroči hude nesreče in celo nesreče s smrtnim izidom. Do povratnega udarca pride, ko kotni brusilnik med rezanjem zgrabi obdelovanec ali ga zatakne. To povzroči, da se vrteča se dodatna oprema hitro ustavi in posledično povzroči, da se električno orodje premika v smeri, nasprotni vrtenju dodatne opreme. Zaradi povratnega udarca lahko upravljalavec izgubi nadzor nad orodjem, orodje pa lahko zadene delavca ali ga spusti, kar povzroči poškodbe stopal in nog.

Povratni udarec je posledica napačne uporabe električnega orodja in se mu lahko izognete z ustreznimi previdnostnimi ukrepi, navedenimi v nadaljevanju:

- Ohranite trden oprijem električnega orodja ter telo in roko namestite tako, da boste imeli večji nadzor nad električnim orodjem v primeru pride do povratnega učinka. Za največji nadzor nad povratnim udarom ali reakcijami navora med zagonom vedno uporabite pomožni ročaj, če je na voljo.
- Roke držite stran od vrtečega se pribora.
- Ne postavljajte telesa na območje, kjer se bo električno orodje premikalo, če pride do povratnega udarca.
- Posebno previdno obdelujte vogale, ostre robove itd.
- Na električno orodje ne pritrjujte žagine verige, rezila za rezanje lesa ali zobatega rezila.

Varnostna navodila za baterijski paket

- Ne razstavlajte, ne odpirajte, ne razbijte in ne zažigajte baterijskega paketa.
- Akumulatorja ne smete kratkostično povezati. Baterijskega sklopa ne shranjujte neprimerno v škatli ali predalu, kjer bi lahko prišlo do kratkega stika med njimi ali kratkega stika s prevodnimi materiali. Ko baterijskega paketa ne uporabljate, ga hranite stran od drugih kovinskih predmetov, kot so sponke za papir, kovanci, ključi, žblji, vijaki ali drugi majhni kovinski predmeti, ki lahko naredijo povezavo z enega na drugi terminal. Kratkoročno stikanje baterijskih priključkov lahko povzroči opekline ali požar.
- Akumulatorja ne izpostavljajte virom toplote ali ognja.
- Izogibajte se shranjevanju na neposredni sončni svetlobi.
- Akumulatorja ne izpostavljajte mehanskim udarcem.
- V primeru iztekanja baterije ne dovolite, da tekočina pride v stik s kožo ali očmi. Če pride do stika, prizadeto območje sperite z velike količine vode in poiščite zdravniško pomoč.
- Če ste pogotnili baterijski vložek, takoj poiščite zdravniško pomoč.
- Baterijski paket naj bo čist in suh.
- Če so priključki baterijskega sklopa umazani, jih obrišite s čisto suho krpo.
- Pred uporabo je treba baterijski vložek napolniti.
- Uporabite pravilen postopek polnjenja.
- Po daljšem skladiščenju bo morda treba baterijski sklop večkrat napolniti in izprazniti, da bi dosegli največjo zmogljivost.
- Akumulatorska enota deluje optimalno, če se uporablja pri običajni sobni temperaturi ($20^{\circ}\text{C} \pm 5^{\circ}\text{C}$).
- Polnite samo s predpisanim polnilnikom. Ne uporabljajte nobenega drugega polnilnika, razen priloženega.
- Ne uporabljajte baterijskega paketa, ki ni namenjen za uporabo z opremo.
- Baterijski vložek hranite zunaj dosega otrok.
- Če baterije ne uporabljate, jo odstranite iz opreme.
- Upoštevajte oznaki plus (+) in minus (-) na bateriji in poskrbite za pravilno uporabo.
- Pred menjavo dodatne opreme in pred vzdrževalnimi ali popravilnimi deli se prepričajte, da je baterija odstranjena.

INFORMACIJE O HRUPU

Opozorilo: Nosite zaščito sluha.

A-tehtani zvočni tlak	$L_{pA}=77,7 \text{ dB(A)}$
A-tehtana zvočna moč	$L_{wA}=88,7 \text{ dB(A)}$
K_{pA} & K_{wA}	3 dB(A)

INFORMACIJE O VIBRACIJAH

Opozorilo: To električno orodje lahko povzroči sindrom vibracij rok in rok, če se uporablja pogosto in dalj časa brez rednih odmorov in če se ne nosijo zaščitne rokavice.

Skupne vrednosti vibracij (triosna vektorska vsota), določene v skladu s standardom EN 60745.

Vrednost emisij vibracij $a_{h,AG}$ za glavni ročaj	$5,74 \text{ m/s}^2$
Vrednost emisije vibracij $a_{h,AG}$ za pomožni ročaj	$6,87 \text{ m/s}^2$
Negotovost K	$1,5 \text{ m/s}^2$

Opozorilo: Vrednosti emisij vibracij se lahko razlikujejo od zgoraj navedenih, odvisno od načina uporabe električnega orodja, rezanih materialov in če:

- Orodje ni v dobrem stanju in ni dobro vzdrževano.
- Uporablja se pribor, ki se ne ujema z orodjem.
- Brusilni kolot ali drugi vrteči se pripomočki niso ostri.
- Protivibracijski pripomočki se ne uporabljajo.
- Orodje se ne uporablja v skladu z namenom.

NAMENSKA UPORABA

Stroj je namenjen za rezanje, grobo obdelavo in krtačenje kovinskih in kamnitih materialov brez uporabe vode. Za rezanje kovin je treba uporabiti posebno zaščitno varovalo za rezanje.

NAVODILA ZA MONTAŽO IN UPORABO

Akcija	Slika
Pred začetkom delovanja	
Odstranjevanje paketa baterij	Slika A1
Polnjenje akumulatorja	Slika A2
Namestitev paketa baterij Opozorilo: Preden vstavite baterijski vložek, mora biti brusilni kolut popolnoma miren.	Slika A3
Montaža	
Sestavljanje pomožnega ročaja	Slika B
Sestavljanje brusilnega krožnika/rezalnega diska	Slika C1, C2, C3
Nastavitev zaščite kolesa Pozornost: Pri delu z brusilnim ali rezalnim kolutom je treba namestiti varovalo. Za vsako uporabo uporabljajte pravilno vrsto krožnika/diska. Odprite vpenjalni vzvod. Zaščito kolesa namestite v utor na vretenu glave stroja in jo zavrtite v zeleni položaj. Če želite pritrditi zaščito kolesa, zaprite vpenjalno ročico. Zaprta stran kolesa mora biti vedno obrnjena proti upravljavcu.	Slika D
Operacija	
Uporaba stikala za vklop/izklop	Slika E
Spremenljivo upravljanje hitrosti	Slika F
Območja za oprijem rok	Slika G
Grobo brušenje Opozorilo: Nikoli ne uporabljajte rezalnega krožnika za grobo obdelavo	
Rezanje	Slika H

NASVETI ZA PRAVILNO DELOVANJE

- Med delom vedno ohranajte kot 15-30 stopinj med diskom in obdelovancem. Večji koti lahko poškodujejo kotni brusilnik.
- Pri uporabi rezalnega diska nikoli ne spreminjajte kota rezanja, sicer boste ustavili disk in motor kotnega brusilnika ali zlomili disk. Pri rezanju režite samo v nasprotni smeri od vrtenja diska.
- Diamantne diske lahko uporabite za najboljše rezultate pri rezanju zelo trdih materialov.
- Pri uporabi diamantnega diska se lahko ta zelo segreje. Če se to zgodi, se okoli vrtečega se krožnika pojavi obroč isker. Prekinite rezanje in počakajte, da diamantni disk hladimo 2-3 minute.
- Vedno se prepričajte, da je obdelovanec trdno pritrjen ali vpet, da se ne premakne.

VZDRŽEVANJE

- Ne poskušajte sami popravljati nobenih delov stroja.
- Za čiščenje električnega orodja nikoli ne uporabljajte vode ali kemičnih čistil. Čistite ga s suho krpo.
- Električno orodje vedno shranjujte v suhem prostoru.
- Prezračevalne reže motorja vzdržujte čiste.
- Na električnem orodju ne sme biti prahu.
- Občasno se lahko skozi prezračevalne reže pojavijo iskre. To je normalno in ne poškoduje električnega orodja.

ODPRAVLJANJE TEŽAV

- Če brusilni kolut niha ali vibrira, se prepričajte, da je zunanja prirobnica tesna, in preverite, ali je kolut pravilno nameščen na prirobnico ploščo.
- Če je kolo poškodovano, ga ne uporabljajte, saj se lahko poškodovano kolo zlomi in poškoduje upravljavca. Odstranite ga in ga zamenjajte s kolesom novo kolo.
- Če obdelujete aluminij ali podobno mehko zlitino, se bo kolo hitro zamašilo in ne bo učinkovito brusilo.

OKOLJSKO ODSTRANJEVANJE

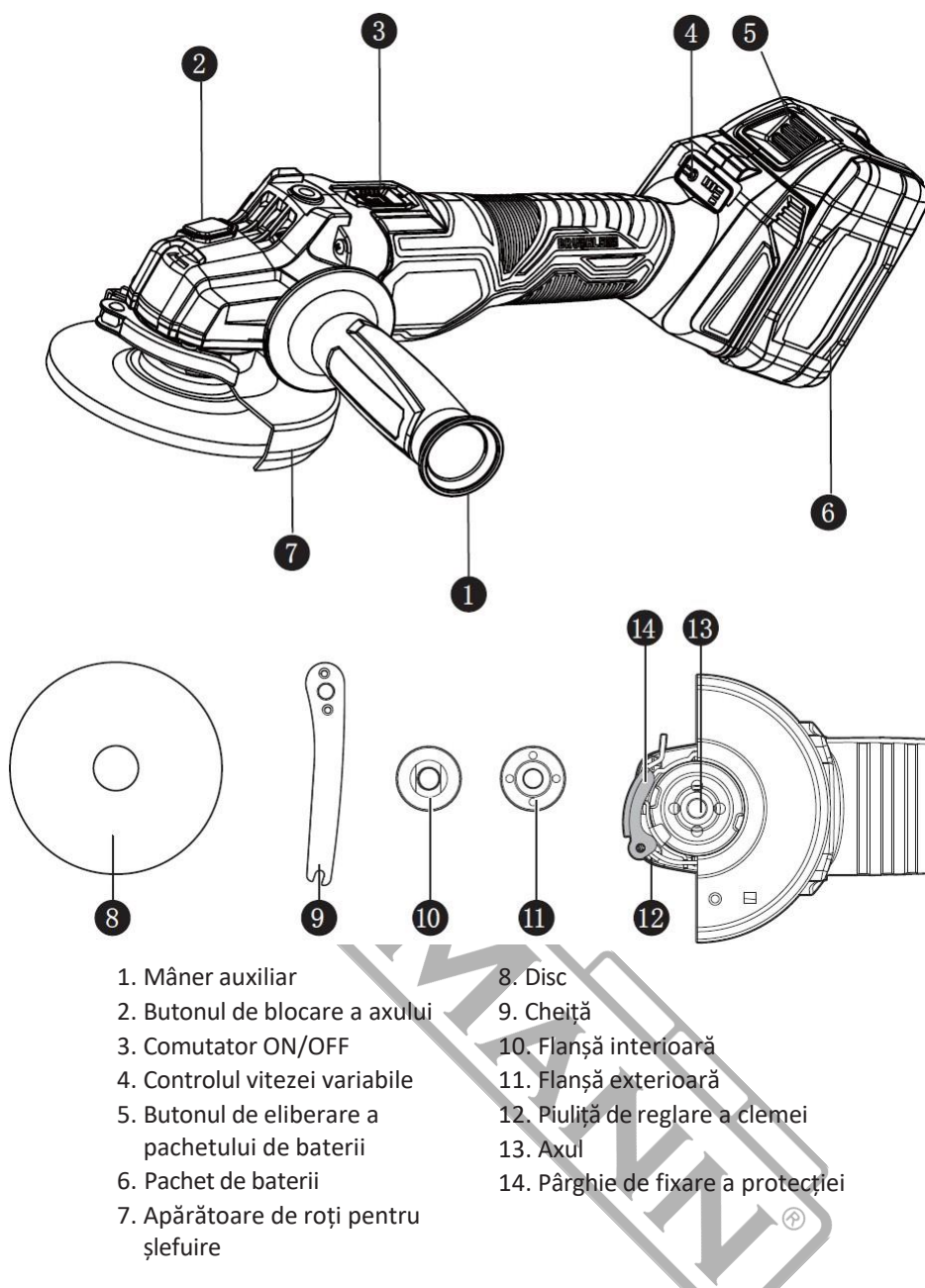
Da bi se izognili poškodbam pri prevozu, mora biti orodje dobavljeno v trdni embalaži. Embalaža ter enota in dodatki so izdelani iz materialov, ki jih je mogoče reciklirati, in jih je mogoče ustrezno odstraniti. Plastični sestavni deli orodja so označeni glede na njihov material, kar omogoča odstranjevanje okolju prijaznih in diferenciranih zaradi razpoložljivih zbiralnic.



Samo za države EU

Električnega orodja ne odlagajte skupaj z gospodinjskimi odpadki!

V skladu z Evropsko direktivo 2002/96/ES o odpadni električni in elektronski opre in njenim izvajanjem v skladu z nacionalno zakonodajo je treba električna orodja, ki jim je potekla življenjska doba, zbirati ločeno in jih oddati v okolju prijazno reciklažno napravo.



SPECIFICAȚII

Date tehnice	
Model	BCD2635
Tensiune	DC 18 V
Tipul de motor	Fără perii
Turație de mers în gol	3500/6000/8500rpm
Dimensiunea discului	125mm
Filetul arborelui	M14
Caracteristici	Funcție de pornire ușoară și protecție la deconectare, schimbare fără scule a protecției discului, protecție metalică împotriva prafului
Include	1x mâner auxiliar, 1x set de protecție a discului, 1x cheie, 1x pachet de baterii de 3.0Ah, 1x încărcător de 2.0A cu fișă VDE, geantă din material textil

* Producătorul își rezervă dreptul de a aduce modificări minore la designul și specificațiile tehnice ale produsului fără notificare prealabilă, cu excepția cazului în care aceste modificări afectează în mod semnificativ performanța și siguranța produselor. Piese descrise / ilustrate în paginile manualului pe care îl țineți în mâini pot viza și alte modele din linia de produse ale producătorului cu caracteristici similare și pot să nu fie incluse în produsul pe care tocmai l-ați achiziționat.

* Pentru a asigura siguranța și fiabilitatea produsului, precum și valabilitatea garanției, toate lucrările de reparații, inspecții sau înlocuiri, inclusiv întreținerea și reglaje speciale, trebuie să fie efectuate numai de către tehnicienii ai departamentului de service autorizat al producătorului.

* Utilizați întotdeauna produsul cu echipamentul furnizat. Utilizarea produsului cu echipamente care nu sunt furnizate poate cauza defecțiuni sau chiar vătămări grave sau chiar moartea. Producătorul și importatorul nu sunt răspunzători pentru vătămările și daunele rezultate din utilizarea unui echipament neconform.

INSTRUCȚIUNI DE SIGURANȚĂ

Atenție: Citiți manualul înainte de a utiliza această unealtă electrică. Nerespectarea avertismentelor și instrucțiunilor poate duce la electrocutare, incendiu și/sau vătămări grave. După ce ați citit manualul, păstrați-l într-un loc sigur pentru consultări ulterioare.

Avertismente generale de siguranță pentru scule electrice

Siguranța zonei de lucru

- Păstrați zona de lucru curată și bine luminată. Zonele întunecate sau dezordonate pot duce la accidente.
- Nu folosiți uneltele electrice în atmosfere explozive, cum ar fi în prezența unor lichide sau vapori inflamabili, gaze sau praf. Uneltele electrice pot crea scântei care pot aprinde gazele sau vaporii.
- Păstrați copiii și persoanele aflate în preajmă la o distanță sigură în timpul utilizării sculei electrice.

Siguranța electrică

- Vă rugăm să vă asigurați că fișele uneltelor electrice se potrivesc cu priza. Nu modificați niciodată fișa în niciun fel. Nu utilizați fișe adaptoare cu unelte electrice cu împământare. Utilizarea unor fișe nemodificate și a unor prize potrivite va reduce riscul de electrocutare.
- Evitați contactul corpului cu materiale sau obiecte legate la pământ sau împământate, cum ar fi radiatoare, țevi, cuptoare și frigidere. Există un risc enorm de șoc electric dacă corpul dumneavoastră este legat la pământ sau împământat.
- Nu expuneți uneltele electrice la ploaie sau în orice alte condiții de umezeală. Apa care pătrunde într-o unealtă electrică ar putea crește riscul de electrocutare.
- Nu abuzați de cablul de alimentare. Nu utilizați niciodată cablul pentru a transporta, trage sau deconecta scula electrică. Păstrați cablul la o distanță sigură de căldură, ulei, margini ascuțite și orice piese în mișcare. Cablurile deteriorate sau încurcate vor crește riscul de electrocutare.
- Atunci când folosiți o unealtă electrică în aer liber, utilizați un cablu prelungitor care are specificațiile corespunzătoare pentru utilizarea în aer liber. Utilizarea unei extensii cablu adecvat pentru utilizare în exterior reduce riscul de electrocutare.
- În cazul în care este inevitabil să folosiți o unealtă electrică într-o locație umeză, utilizați o sursă de alimentare care este protejată de un dispozitiv de curent diferențial rezidual (DDR). Utilizarea unui astfel de dispozitiv reduce riscul de electrocutare.

Siguranța personală

- Rămâneți în alertă, urmăriți ceea ce faceți și folosiți bunul simț atunci când folosiți scula electrică. Nu utilizați scula electrică dacă vă simțiți obosit sau dacă vă aflați sub influența alcoolului, a drogurilor sau a medicamentelor. Un moment de neatenție în timpul utilizării sculei electrice poate avea ca rezultat vătămări corporale grave.
- Utilizați echipament de protecție personală. Purtați întotdeauna protecție pentru ochi. Echipamentul de protecție, cum ar fi masca de praf sau protecția auditivă, pantofii de siguranță antiderapați sau căștile de protecție, utilizate în condiții adecvate, vor reduce vătămrile corporale.
- Preveniți pornirea neintenționată. Asigurați-vă că întrerupătorul de alimentare este în poziția oprit înainte de a conecta la sursă de alimentare și/sau la pachetul de baterii, de a ridica sau de a transporta scula electrică. Transportarea uneltelor electrice cu degetul pe întrerupătorul de alimentare sau conectarea uneltelor electrice care au întrerupătorul în poziția pornit la o sursă de alimentare poate duce la accidente.
- Îndepărtați orice chei sau chei de reglare înainte de a porni scula electrică. O cheie de reglare sau o cheie rămasă atașată la o parte rotativă a sculei electrice poate duce la vătămări corporale.
- Nu exagerați. Păstrați în permanență echilibrul și o poziție corectă. Acest lucru ajută operatorul să aibă un control mai bun al sculei electrice în situații neprevăzute.
- Îmbrăcați-vă corespunzător. Nu purtați haine largi sau bijuterii. Țineți-vă părul, hainele și mânușile departe de orice piese în mișcare. Hainele largi, bijuteriile și/sau părul lung pot fi prinse în piesele în mișcare.

Utilizarea și îngrijirea sculelor electrice

- Nu forțați scula electrică. Folosiți scula electrică potrivită pentru fiecare aplicație. Uneltele electrice corecte vor face întotdeauna treaba mai bine și mai sigur atunci când sunt utilizate conform destinației.
- Nu utilizați scula electrică dacă întrerupătorul nu o activează sau dezactivează. Orice unealtă electrică care nu poate fi controlată cu ajutorul comutatorului este extrem de periculoasă și trebuie reparată.
- Deconectați ștecherul principal de la sursa de alimentare și/sau acumulatorul de la scula electrică înainte de a schimba accesoriile, de a face orice reglaje sau de a depozita scula electrică. Astfel de măsuri preventive de siguranță vor reduce riscul de pornire accidentală a sculei electrice.
- Atunci când scula electrică nu este utilizată, depozitați-o în afara razei de acțiune a copiilor și nu permiteți persoanelor care nu sunt familiarizate cu scula electrică sau cu aceste instrucțiuni să utilizeze și să opereze scula electrică. Uneltele electrice sunt extrem de periculoase în mâinile unor utilizatori neinstruiți.
- Întrețineți scula electrică. Verificați dacă piesele în mișcare nu sunt nealiniat sau blocate, dacă piesele sunt rupte, dacă există scurgeri și orice altă problemă care poate afecta funcționarea sculei electrice. Dacă este deteriorată, vă rugăm să faceți reparația sculei electrice înainte de utilizare. Multe accidente și răniri sunt cauzate de uneltele electrice întreținute necorespunzător.
- Păstrați piesele tăietoare ale sculei electrice ascuțite și curate. Uneltele de tăiere întreținute corespunzător, cu muchii de tăiere ascuțite, sunt mai puțin susceptibile de a se bloca și sunt mai precise și mai ușor de controlat.
- Utilizați întotdeauna scula electrică, accesoriile și biții de scule etc. în conformitate cu instrucțiunile din acest manual de instrucțiuni, ținând cont de condițiile de lucru și de lucrările care urmează să fie efectuate. Utilizarea sculei electrice pentru aplicații diferite de cele prevăzute ar putea duce la vătămări corporale sau la deteriorarea sculei electrice.
- Păstrați mânerul și toate suprafețele de prindere ale sculei electrice uscate, curate și lipsite de ulei și grăsime. Mânerul și suprafețele de prindere alunecoase nu permit manevrarea în siguranță a sculei în situații neprevăzute.

Utilizarea și îngrijirea uneltelor cu baterii

- Reîncărcați bateriile numai cu încărcătorul specificat de producător. Un încărcător care este utilizat pentru a încărca baterii nepotrivite poate crea un risc de incendiu.
- Folosiți scula electrică numai cu acumulatorii special prevăzuți. Utilizarea oricăror alte pachete de baterii poate crea un risc de rănire și de incendiu.
- Atunci când acumulatorul nu este utilizat, păstrați-l departe de alte obiecte metalice, cum ar fi agrafe de hârtie, monede, chei, cuie, șuruburi sau alte obiecte metalice mici care pot face o conexiune de la un terminal la altul.
- Scurtcircuitarea terminalelor bateriei poate provoca arsuri sau incendii.
- În condiții abuzive, din baterie poate ieși lichid; evitați contactul.
- În caz de contact accidental, spălați cu apă. Dacă lichidul intră în contact cu ochii, solicitați imediat asistență medicală. Lichidul ejectat din baterie poate provoca iritații sau arsuri.

Serviciul

- Trimiteți scula electrică la service de către personal calificat, folosind numai piese de schimb identice. Acest lucru va asigura că siguranța sculei electrice este menținut.
- Nu încercați niciodată să reparați singuri acumulatorii deteriorați. Întreținerea pachetelor de baterii trebuie efectuată numai de către producător sau de către tehnicieni de service autorizați.

Instrucțiuni de siguranță pentru polizoare unghiulare

- Această unealtă electrică este destinată să funcționeze ca polizor sau unealtă de debitat.
- Operațiuni precum șlefuirea, perierea cu sârmă, lustruirea nu sunt recomandate pentru a fi efectuate cu această unealtă electrică. Utilizarea sculei electrice pentru a efectua alte sarcini decât cele pentru care a fost proiectată poate crea un pericol și poate provoca vătămări corporale.
- Nu utilizați accesoriile care nu sunt proiectate și recomandate în mod specific de către producătorul sculei. Funcționarea în siguranță nu este asigurată doar pentru că un accesoriu poate fi atașat la scula electrică.
- Viteza nominală a accesoriului trebuie să fie cel puțin egală cu viteza maximă marcată pe scula electrică. Accesoriile care funcționează mai repede decât viteza lor nominală se pot rupe și pot fi ejectate din sculă.
- Diametrul exterior și grosimea oricărui accesoriu trebuie să se încadreze în capacitatea nominală a sculei electrice. Accesoriile de dimensiuni incorecte nu pot fi supravegheate sau controlate în mod adecvat.
- Montarea filetată a accesoriilor trebuie să se potrivească cu filetul axului polizorului. În cazul accesoriilor montate prin flanșe, orificiul de ax al accesoriului trebuie să se potrivească cu diametrul de poziționare al flanșei. Accesoriile care nu se potrivesc cu feronieria de montare a sculei electrice vor vibra excesiv și pot cauza pierderea controlului.
- Nu utilizați un accesoriu deteriorat. Înainte de fiecare utilizare, inspectați accesoriul, cum ar fi roțile abrazive, pentru a vedea dacă nu prezintă așchii sau fisuri, plăcuța de suport pentru fisuri, rupturi sau uzură excesivă, peria de sârmă pentru a vedea dacă firele sunt slăbite sau crăpate. Dacă scula electrică sau accesoriul este scăpat, inspectați dacă este deteriorat sau instalați un accesoriu nedeteriorat. După ce inspectați și instalați un accesoriu, poziționați-vă la o distanță de partea mobilă, asigurați-vă că persoanele aflate în preajmă se află la o distanță sigură de partea mobilă și apoi puneți scula electrică în funcțiune la turația maximă fără sarcină timp de un minut.
- Accesoriile deteriorate se vor rupe în mod normal în timpul acestei perioade de testare.
- Purtați echipament de protecție personală. În funcție de aplicație, folosiți o mască de protecție pentru față, ochelari de protecție sau ochelari de protecție. După caz, purtați o mască de protecție împotriva prafului, protectoare auditive, mănuși și haine de protecție capabile să oprească fragmentele mici de abraziv sau de piese de lucru. Protecția ochilor trebuie să fie capabilă să oprească resturile zburătoare generate în timpul funcționării. Maska de praf sau aparatul de respirat trebuie să fie capabil să filtreze particulele generate în timpul funcționării. Expunerea prelungită la zgomote de intensitate ridicată poate provoca pierderea auzului.
- Păstrați spectatorii la o distanță de siguranță față de zona de lucru. Orice persoană care intră în zona de lucru trebuie să poarte echipament de protecție personală.
- Fragmentele unei piese de prelucrat sau ale unui accesoriu spart pot fi proiectate la viteze mari și pot provoca răni dincolo de zona imediată de operare.
- Țineți scula electrică numai de suprafețele de prindere izolate. Contactul cu un fir "sub tensiune" va face ca și părțile metalice expuse ale sculei electrice să fie "sub tensiune" și ar putea provoca un șoc electric operatorului.
- Nu așezați niciodată scula electrică până când accesoriul nu s-a oprit complet. Operatorul poate pierde controlul sculei electrice ca urmare a rotirii accesoriului care atinge solul.
- Nu puneți în funcțiune scula electrică în timp ce o purtați lângă dumneavoastră. Contactul accidental cu accesoriul care se învârtă ar putea să vă agațe hainele, trăgând accesoriul în corpul dumneavoastră.
- Curățați în mod regulat orificiile de aerisire ale sculei electrice. Ventilatorul motorului va aspira praful din interiorul carcasei, iar acumularea excesivă de pulbere metalică poate provoca pericole electrice.
- Nu folosiți scula electrică în apropierea materialelor inflamabile. Scântele ar putea aprinde aceste materiale.
- Nu utilizați accesoriile care necesită lichide de răcire. Utilizarea apei sau a altor lichide de răcire poate duce la electrocutare sau șocuri.
- În timpul funcționării, apucați mânerul. Folosiți întotdeauna mânerul auxiliar furnizat împreună cu unealta. Pierderea controlului poate provoca vătămări corporale.
- Folosiți numai discuri de șlefuit care sunt recomandate pentru scula electrică și protecția specifică proiectată pentru discul selectat.
- Apărătoarea trebuie să fie atașată în siguranță la scula electrică și poziționată astfel încât să maximizeze siguranța, astfel încât să fie expusă cât mai puțin roata către operator.
- Discurile de rectificat trebuie utilizate numai pentru aplicațiile recomandate.
- Folosiți întotdeauna flanșe de roată nedeteriorate, care au dimensiunea și forma corecte pentru roata selectată.
- Nu utilizați discuri de polizare destinate uneltelor electrice mai mari.
- Nu aplicați o presiune excesivă asupra piesei de prelucrat cu ajutorul discului de șlefuit. Nu forțați scula electrică să taie excesiv de adânc.
- Când roata este blocată sau când întrerupeți o tăiere din orice motiv, opriți scula electrică și mențineți-o nemișcată până când roata se oprește complet. Nu încercați niciodată să scoateți roata de debitat de pe piesa de prelucrat în timp ce roata este în mișcare, în caz contrar se poate produce un recul.
- Asigurați-vă că roata de șlefuit nu atinge nicio suprafață înainte de a o porni.
- Lăsați întotdeauna roata de șlefuit să atingă viteza maximă înainte de a încerca să tăiați cu ea.
- Efectuați mișcări lente spre piesa de lucru în timpul tăierii.
- Suportii trebuie plasați sub piesele de lucru mari și în apropierea marginilor acestora pentru a minimiza riscul de recul.
- Fiți foarte atenți atunci când tăiați în pereți sau în alte zone în care pot fi ascunse conducte de gaz sau apă. Contactul discului de rectificat cu un gaz sau apă ascunsă țevă de gaz sau de apă ascunsă poate provoca recul.

Recul

Reculul poate provoca accidente grave și chiar mortale. Reculul se produce atunci când polizorul unghiular se prinde sau se blochează pe piesa de lucru în timpul tăierii. Acest lucru face ca accesoriul rotativ să se blocheze rapid și, la rândul său, face ca scula electrică să se deplaseze în direcția opusă rotației accesoriului. Reculul poate face ca operatorul să piardă controlul uneltei, iar aceasta poate lovi lucrătorul sau poate fi scăpată, provocând răni la picioare și picioare.

Reculul este rezultatul unei utilizări necorespunzătoare a sculelor electrice și poate fi evitat prin luarea măsurilor de precauție adecvate prezentate mai jos:

- Mențineți o prindere fermă a sculei electrice și poziționați-vă corpul și brațul astfel încât să creșteți gradul de control pe care îl aveți asupra sculei electrice în cazul în care se produce un recul. Utilizați întotdeauna mânerul auxiliar, dacă este prevăzut, pentru un control maxim asupra reculului sau a reacțiilor de cuplu în timpul pornirii.
- Țineți mâinile departe de accesoriul rotativ.
- Nu vă poziționați corpul în zona în care se va deplasa scula electrică dacă se produce un recul.
- Aveți grijă deosebită atunci când lucrați la colțuri, margini ascuțite etc.
- Nu atașați un lanț de ferăstrău, o lamă de sculptură în lemn sau o lamă de ferăstrău dințată la unealta electrică.

Instrucțiuni de siguranță pentru pachetul de baterii

- Nu demontați, nu deschideți, nu spargeți și nu ardeți acumulatorul.
- Nu scurtcircuitați acumulatorul. Nu depozitați pachetul de baterii în mod necorespunzător într-o cutie sau într-un sertar unde acestea pot intra în scurtcircuit unul cu celălalt sau pot fi scurtcircuitate de materiale conductoare. Atunci când pachetul de baterii nu este utilizat, păstrați-l departe de alte obiecte metalice, cum ar fi agrafe de hârtie, monede, chei, cuie, șuruburi sau alte obiecte metalice mici, care pot face o conexiune de la un terminal la altul. Dacă puneți în scurtcircuit bornele bateriei, puteți provoca arsuri sau un incendiu.
- Nu expuneți pachetul de baterii la surse de căldură sau la foc.
- Evitați depozitarea în lumina directă a soarelui.
- Nu supuneți pachetul de baterii la șocuri mecanice.
- În cazul în care bateria prezintă scurgeri, nu permiteți ca lichidul să intre în contact cu pielea sau ochii. În cazul în care a avut loc un contact, spălați zona afectată cu cantități mari de apă și solicitați sfatul unui medic.
- Solicitați imediat sfatul unui medic dacă a fost înghițit un acumulator.
- Păstrați pachetul de baterii curat și uscat.
- Ștergeți bornele pachetului de baterii cu o cârpă curată și uscată dacă acestea se murdăresc.
- Pachetul de baterii trebuie să fie încărcat înainte de utilizare.
- Utilizați procedura de încărcare corectă.
- După perioade lungi de depozitare, este posibil să fie necesar să încărcăți și să descărcați pachetul de baterii de mai multe ori pentru a obține performanțe maxime.
- Bateria funcționează în mod optim atunci când este exploatată la o temperatură normală a camerei ($20^{\circ}\text{C} \pm 5^{\circ}\text{C}$).
- Reîncărcați numai cu încărcătorul specificat. Nu utilizați un alt încărcător decât cel furnizat.
- Nu utilizați niciun acumulator care nu este proiectat pentru a fi utilizat cu echipamentul.
- Țineți pachetul de baterii departe de copii.
- Scoateți bateria din echipament atunci când nu este utilizată.
- Respectați marcasele plus (+) și minus (-) de pe baterie și asigurați-vă că aceasta este utilizată corect.
- Asigurați-vă că bateria este scoasă înainte de schimbarea accesoriilor și înainte de lucrări de întreținere sau reparații.

INFORMAȚII DESPRE ZGOMOT

Avertisment: Purtați protecție auditivă.

Presiunea acustică ponderată A	$L_{pA}=77,7 \text{ dB(A)}$
Puterea sonoră ponderată A	$L_{wA}=88,7 \text{ dB(A)}$
$K_{pA} \& K_{wA}$	3 dB(A)

INFORMAȚII PRIVIND VIBRAȚIILE

Avertisment: Această unealtă electrică poate provoca sindromul de vibrații mână-brăț dacă este utilizată frecvent pentru perioade lungi de timp fără a face pauze regulate și dacă nu se poartă mănuși de protecție.

Valorile totale ale vibrațiilor (suma vectorială triaxială) determinate în conformitate cu EN 60745.

Valoarea de emisie a vibrațiilor $a_{h,AG}$ pentru mânerul principal	5.74 m/s^2
Valoarea de emisie a vibrațiilor $a_{h,AG}$ pentru mânerul auxiliar	6.87 m/s^2
Incertitudine K	1.5 m/s^2

Avertisment: Valorile emisiilor de vibrații pot fi diferite de cele menționate mai sus, în funcție de modul de utilizare a sculei electrice, de materialele care se taie și dacă:

- Instrumentul nu este în stare bună și nu este bine întreținut.
- Se utilizează accesorii care nu se potrivesc cu unealta.
- Discul de șlefuit sau alte accesorii rotative nu sunt ascuțite.
- Nu se utilizează accesorii antivibrații.
- Instrumentul nu este utilizat conform destinației.

UTILIZARE INTENȚIONATĂ

Mașina este destinată tăierii, degroșării și perierii materialelor din metal și piatră fără a folosi apă. Pentru tăierea metalului, trebuie utilizată o protecție specială de protecție pentru tăiere.

INSTRUCȚIUNI DE ASAMBLARE ȘI FUNCȚIONARE

Acțiune	Figura
Înainte de operare	
Îndepărtarea pachetului de baterii	Fig. A1
Încărcarea pachetului de baterii	Fig. A2
Instalarea pachetului de baterii Avertisment: Moara trebuie să fie complet nemișcată înainte de a introduce pachetul de baterii.	Fig. A3
Ansamblu	
Asamblarea mânerului auxiliar	Fig. B
Asamblarea discului de rectificat/disc de tăiere	Fig. C1, C2, C3
Reglarea apărătorii roților Atenție: Garda de protecție trebuie montată dacă se lucrează cu o roată de rectificat sau un disc de tăiere. Folosiți tipul corect de disc/disc pentru fiecare aplicație. Deschideți maneta de strângere. Așezați apărătoarea roții în canelura de pe axul capului mașinii și rotiți-o în poziția necesară. Pentru a fixa apărătoarea roții, închideți maneta de strângere. Partea închisă a roții trebuie să fie întotdeauna îndreptată spre operator.	Fig. D
Operațiunea	
Utilizarea comutatorului ON/OFF	Fig. E
Controlul vitezei variabile	Fig. F
Zone de prindere a mâinilor	Fig. G
Rectificare grosieră Avertisment: Nu utilizați niciodată un disc de tăiere pentru degroșare	
Tăiere	Fig. H

SFATURI PENTRU O FUNCȚIONARE CORECTĂ

- În timpul lucrului, mențineți întotdeauna un unghi de 15-30 de grade între disc și piesa de prelucrat. Unghiurile mai mari pot deteriora polizorul unghiular.
- Atunci când utilizați un disc de tăiere, nu modificați niciodată unghiul de tăiere, altfel veți bloca discul și motorul polizorului unghiular sau veți rupe discul. Atunci când tăiați, tăiați numai în direcția opusă rotației discului.
- Discurile diamantate pot fi utilizate pentru cele mai bune rezultate la tăierea materialelor foarte dure.
- Atunci când se utilizează un disc diamantat, acesta se poate încălzi foarte tare. Dacă se întâmplă acest lucru, veți vedea un inel plin de scântei în jurul discului rotativ. Oprii tăierea și lăsați discul diamantat să se răcească timp de 2-3 minute.
- Asigurați-vă întotdeauna că piesa de prelucrat este ținută sau fixată ferm pentru a preveni deplasarea acesteia.

ÎNȚREȚINERE

- Nu încercați să reparați singuri nicio piesă a aparatului.
- Nu utilizați niciodată apă sau detergenți chimici pentru a curăța scula electrică. Ștergeți cu o cârpă uscată.
- Depozitați întotdeauna scula electrică într-un loc uscat.
- Păstrați curate fantele de ventilație ale motorului.
- Păstrați scula electrică ferită de praf.
- Ocazional, este posibil să vedeți scântei care trec prin fantele de ventilație. Acest lucru este normal și nu va deteriora scula electrică.

DEPANARE

- Dacă roata de rectificat se clatină sau vibrează, asigurați-vă că flanșa exterioară este strânsă, verificați dacă roata este amplasată corect pe placa flanșei.
- Dacă există vreo dovadă că roata este deteriorată, nu o utilizați, deoarece roata deteriorată se poate rupe și poate afecta operatorul. Îndepărtați-o și înlocuiți-o cu o roată nouă.
- Dacă lucrați pe aluminiu sau pe un aliaj moale similar, roata se va bloca rapid și nu va șlefui eficient.

ELIMINAREA MEDIULUI

Pentru a evita deteriorările în timpul transportului, scula trebuie să fie livrată într-un ambalaj solid. Ambalajul, precum și unitatea și accesoriile sunt fabricate din materiale reciclabile și pot fi eliminate în mod corespunzător. Componentele din plastic ale uneltei sunt marcate în funcție de materialul lor, ceea ce face posibilă îndepărtarea ecologică și diferențiată datorită facilităților de colectare disponibile.



Numai pentru țările UE

Nu aruncați sculele electrice împreună cu deșeurile menajere!

În conformitate cu Directiva europeană 2002/96/CE privind deșeurile de echipamente electrice și electronice și cu punerea în aplicare a acesteia în conformitate cu legislația națională, uneltele electrice care au ajuns la sfârșitul duratei lor de viață trebuie colectate separat și returnate la o instalație de reciclare compatibilă cu mediul.

EL

Τα ηλεκτρικά εργαλεία έχουν κατασκευαστεί με αυστηρά πρότυπα που έχει θέσει η εταιρεία και συνάδουν με τα ευρωπαϊκά πρότυπα ποιότητας. Για τα ηλεκτρικά εργαλεία της εταιρείας μας παρέχεται περίοδος εγγύησης 24 μηνών για ερασιτεχνική χρήση, 12 μηνών για επαγγελματική χρήση και 24 μηνών για τις μπαταρίες και τους φορτιστές. Η ισχύς της εγγύησης ξεκινά από την ημερομηνία αγοράς του προϊόντος. Αποδεικτικό του δικαιώματος της εγγύησης αποτελεί το παραστατικό αγοράς του εργαλείου (απόδειξη λιανικής ή τιμολόγιο). Σε καμιά περίπτωση η εταιρεία δεν καλύπτει τη σχετική δαπάνη ανταλλακτικών και εργασίας εάν και εφόσον δε συνοδεύεται από αντίγραφο του παραστατικού αγοράς. Σε περίπτωση που η επισκευή πρέπει να γίνει στο service μας η δαπάνη μεταφοράς (από και προς) βαρύνει εκ' ολοκλήρου τον αποστολέα. Τα εργαλεία αποστέλλονται για την επισκευή τους στην εταιρεία ή σε εξουσιοδοτημένο συνεργείο με τον ενδεδειγμένο τρόπο και μέσο μεταφοράς.

ΕΞΑΙΡΕΣΕΙΣ ΚΑΙ ΠΕΡΙΟΡΙΣΜΟΙ ΤΗΣ ΕΓΓΥΗΣΗΣ:

- 1) Ανταλλακτικά που φθείρονται φυσιολογικά από τη χρήση τους (καρβουνάκια, καλώδιο, διακόπτες, φορτιστές, τσοκ κ.λ.π).
- 2) Εργαλεία που έχουν υποστεί ζημιές από τη μη συμμόρφωση με τις οδηγίες του κατασκευαστή.
- 3) Εργαλεία με ελλιπή συντήρηση.
- 4) Χρήση μη ενδεδειγμένων λιπαντικών ή εξαρτημάτων.
- 5) Εργαλεία που έχουν δοθεί χωρίς επιβάρυνση.
- 6) Βλάβη που οφείλεται σε ηλεκτρική σύνδεση σε τάση διαφορετική από την αναγραφόμενη στην πινακίδα συσκευής.
- 7) Σύνδεση σε μη γειωμένο ρευματοδότη.
- 8) Μεταβολή της τάσης του ρεύματος.
- 9) Βλάβη που προκύπτει από τη χρήση αλμυρού νερού (π.χ πλαστικά, αντλίες).
- 10) Βλάβη ή κακή λειτουργία που έχει προκύψει από πλημμελή καθαρισμό του εργαλείου.
- 11) Επαφή του εργαλείου με χημικά, ή βλάβη από υγρασία, διάβρωση.
- 12) Εργαλεία που έχουν υποστεί τροποποιήσεις – αλλαγές ή έχουν ανοιχτεί από μη εξουσιοδοτημένο συνεργείο.
- 13) Εργαλεία που χρησιμοποιούνται για ενοίκιαση.

Η εγγύηση καλύπτει αποκλειστικά τη δωρεάν αντικατάσταση του εξαρτήματος που έχει κατασκευαστικό ελάττωμα ή αστοχία υλικού. Σε περίπτωση έλλειψης ανταλλακτικού η εταιρεία διατηρεί το δικαίωμα αντικατάστασης του εργαλείου με άλλο αντίστοιχο μοντέλο. Μετά τη διεκπεραίωση εγγύησης δεν επιμηκύνεται ούτε ανανεώνεται ο χρόνος εγγύησης του εργαλείου. Αντικατάσταση ανταλλακτικού με χρέωση επισκευής, καλύπτεται από 1 χρόνο εγγύησης καλής λειτουργίας, με προϋπόθεση την τήρηση των όρων εγγύησης. Τα ανταλλακτικά ή τα εργαλεία τα οποία αντικαθίστανται παραμένουν στην κατοχή της εταιρείας μας. Άλλες απαιτήσεις, εκτός από αυτές που αναφέρονται σε αυτό το έντυπο εγγύησης επισκευής ή βλαβών ηλεκτρικών εργαλείων, δεν ισχύουν. Για την εγγύηση αυτή ισχύει το ελληνικό Δίκαιο.

EN

The power tools have been manufactured according to strict standards, set by our company, which are aligned with the respective European quality standards. The power tools of our company are provided with a warranty period of 24 months for non-professional use, 12 months for professional use and 24 months for chargers and batteries. The warranty is valid from the date of purchase of the product. Proof of the warranty right is the purchase document of the tool (retail receipt or invoice). Under no circumstances shall the company cover the relevant cost of spare parts and respective required working hours unless a copy of the purchase document is presented. In case the repair has to be done by our service department the cost of transportation (to and from) is entirely borne by the sender (client). The tools must be sent for repair to the company or to an authorized workshop in the appropriate way and means of transport.

WARRANTY EXEMPTIONS AND RESTRICTIONS:

- 1) Spare parts that wear out naturally as a consequence of being used (brushes, cables, switches, chargers, chucks etc.).
- 2) Tools damaged as a result of non-compliance with the instructions of the manufacturer.
- 3) Tools poorly maintained.
- 4) Use of improper lubricants or accessories.
- 5) Tools given to third entities free of charge.
- 6) Damage due to an electrical connection at a voltage other than that indicated on the appliance plate.
- 7) Connection to a non-earthed power supply.
- 8) Change in current voltage.
- 9) Damage resulting from the use of salty water (e.g., washing machines, pumps).
- 10) Damage or malfunction resulting from improper cleaning procedure of the tool.
- 11) Contact of the tool with chemicals, or damage as a result of moisture or corrosion.
- 12) Tools that have been modified or opened by unauthorized personnel.
- 13) Tools used for rent.

The warranty covers only the free of charge replacement of the component that presents a manufacturing defect or material failure. In case of lack of a specific spare part the company reserves the right to replace the tool with another corresponding model. After all warranty procedures have been concluded, the warranty period of the tool shall not be extended or renewed. Replacement of a spare part with repair charge is covered by a 1 year warranty of good operation, subject to compliance with the warranty terms. The spare parts or tools that are replaced remain in the possession of our company. Requirements, other than those mentioned in this warranty form, regarding power tools repair or damage thereof, do not apply. Greek law and relative regulations apply to this warranty.

FR

Les outils électriques sont fabriqués selon des normes strictes, établies par notre société et se sont alignées sur les normes de qualité européennes respectives. Les outils électriques de notre société sont bénéficiés d'une garantie de 24 mois pour une utilisation non professionnelle, 12 mois pour une utilisation professionnelle et de 24 mois pour les batteries et les chargeurs. La garantie est valable à partir de la date d'achat du produit. La preuve du droit à la garantie est le document d'achat de l'outil (ticket de caisse ou facture). En aucun cas, l'entreprise ne couvrira le coût des pièces de rechange et des heures de travail nécessaires si une copie du document d'achat n'est pas présentée. Si la réparation doit être effectuée par notre service après-vente, les frais de transport (aller-retour) sont entièrement à la charge de l'expéditeur (client). Les outils doivent être envoyés pour réparation à l'entreprise ou à un atelier agréé de la manière et avec le moyen de transport appropriée.

EXEMPTIONS ET RESTRICTIONS DE GARANTIE:

- 1) Les pièces de rechange qui s'usent naturellement suite à leur utilisation (balais, câbles, interrupteurs, chargeurs, mandrins, etc.).
- 2) Les outils endommagés à la suite du non-respect des instructions du fabricant.
- 3) Outils mal entretenus.
- 4) Utilisation de lubrifiants ou d'accessoires inappropriés.
- 5) Outils donnés à des tiers à titre gratuit.
- 6) Dommages dus à un mauvais branchement électrique ou à une tension différente de celle indiquée sur la plaque de l'appareil.
- 7) Connexion à une alimentation électrique non reliée à la terre.
- 8) Fluctuation de la tension inacceptable.
- 9) Dommages résultant de l'utilisation d'eau salée (par exemple, machines à laver, pompes).
- 10) Dommages ou dysfonctionnement résultant d'une procédure de nettoyage inadéquate de l'appareil.
- 11) Contact de l'outil avec des produits chimiques, ou dommages résultant de l'humidité ou de la corrosion.
- 12) Les outils qui ont été modifiés ou ouverts par du personnel non autorisé.
- 13) Les outils utilisés à location.

La garantie couvre uniquement le remplacement gratuit du composant qui présente un défaut de fabrication ou une défaillance matérielle. En cas d'absence d'une pièce de rechange spécifique, l'entreprise se réserve le droit de remplacer l'outil par un autre modèle correspondant. Après la conclusion de toutes les procédures de garantie, la période de garantie de l'outil ne sera pas prolongée ou renouvelée. Le remplacement d'une pièce de rechange, ainsi que les frais de réparation, sont couverts par une garantie de bon fonctionnement d'un an, sous réserve du respect des conditions de garantie. Les pièces de rechange ou les outils remplacés restent en possession de notre société. Les exigences, autres que celles mentionnées dans ce formulaire de garantie, concernant la réparation des outils électriques ou leur endommagement, ne sont pas applicables. La loi grecque et ses règlements s'appliquent à cette garantie.

IT

Gli elettrodomestici sono stati fabbricati secondo gli standard rigorosi, stabiliti dalla nostra azienda, che sono allineati con i rispettivi standard di qualità europei. Gli elettrodomestici della nostra azienda sono forniti con un periodo di garanzia di 24 mesi per uso non professionale, 12 mesi per uso professionale e 24 mesi per le batterie e i caricabatterie. La garanzia è valida dalla data di acquisto del prodotto. La prova del diritto di garanzia è il documento di acquisto dell'utensile (scontrino o fattura). In nessun caso l'azienda coprirà il relativo costo dei pezzi di ricambio e delle rispettive ore di lavoro necessarie se non viene presentata una copia del documento di acquisto. Nel caso in cui la riparazione debba essere effettuata dal nostro servizio di assistenza, il costo del trasporto (da e per) è interamente a carico del mittente (cliente). Gli utensili devono essere inviati per la riparazione all'azienda o ad un'officina autorizzata nel modo e nel mezzo di trasporto appropriato.

ECCEZIONI E LIMITAZIONI ALLA GARANZIA:

- 1) Pezzi di ricambio che si deteriorano naturalmente con l'uso (pezzi di consumo).
- 2) Utensili danneggiati dal mancato rispetto delle istruzioni del produttore.
- 3) Strumenti con manutenzione insufficiente.
- 4) Uso di lubrificanti o parti inappropriate.
- 5) Strumenti dati gratuitamente.
- 6) Guasto dovuto a un collegamento dell'aria compressa a una pressione diversa da quella indicata sulla targhetta dei dati tecnici.
- 7) Danni derivanti dall'uso di aria compressa impura e non filtrata.
- 8) Danni o malfunzionamenti derivanti da una pulizia inadeguata dell'utensile.
- 9) Contatto dell'utensile con prodotti chimici, o danni da umidità, corrosione.
- 10) Strumenti che hanno subito modifiche - cambiamenti o sono stati aperti da un'officina non autorizzata.
- 11) Contatto dell'utensile con sostanze chimiche o danni causati da umidità o corrosione.
- 12) Strumenti che sono stati modificati o aperti da personale non autorizzato.
- 13) Strumenti utilizzati per il noleggio.

La garanzia copre solo la sostituzione gratuita del componente che presenta un difetto di fabbricazione o di materiale. In caso di mancanza di un pezzo di ricambio specifico, l'azienda si riserva il diritto di sostituire l'utensile con un altro modello corrispondente. Una volta concluse tutte le procedure di garanzia, il periodo di garanzia dell'utensile non potrà essere esteso o rinnovato. La sostituzione di un pezzo di ricambio, insieme al costo della riparazione, è coperta da una garanzia di buon funzionamento di 1 anno, a condizione che vengano rispettati i termini della garanzia. I pezzi di ricambio o gli utensili che vengono sostituiti rimangono in possesso della nostra azienda. I requisiti, diversi da quelli menzionati in questo modulo di garanzia, riguardanti la riparazione di utensili elettrici o il loro danneggiamento, non si applicano. La legge greca e i relativi regolamenti si applicano a questa garanzia.

AL

Mjetet e energjisë janë prodhuar sipas standardeve strikte, të vendosura nga kompania jonë, të cilat janë në përputhje me standardet respekti ve evropiane të cilësisë. Mjetet e energjisë të kompanisë sonë janë siguruar me një periudhë garancie prej 24 muajsh për përdorim jo profesional, 12 muaj për përdorim profesional dhe 24 muaj për bateritë dhe karikuesit. Garancia është e vlefshme nga data e blerjes së produktit t. Prova e së drejtës së garancisë është dokumenti i blerjes së mjeti t (faturë ose faturë me pakicë). Në asnjë rrethanë ndërmarrja nuk mbulon koston përkatëse të pjesëve të këmbimit dhe orarin përkatës të kërkuar të punës, përveç kur është paraqitur një kopje e dokumenti t të blerjes. Në rast se riparimi duhet të bëhet nga departamenti ynë i shërbimit kostoja e transporti t (për dhe nga) është tërësisht e mbajtur nga dërguesi (klienti). Mjetet duhet të dërgohen për riparim në ndërmarrje ose në një pun-ishte të autorizuar në mënyrën dhe mjetet e duhura të transporti t.

PËRJASHTIMET DHE KUFIZIMET E GARANCISË:

- 1) Pjesët rezervë që përdoren në mënyrë natyrale si pasojë e përdorur (furçat, kabllot, ndërruesit, karikuesit, mbytjet etj.).
- 2) Veglat e dëmtuara si rezultat i mosrespektimit të udhëzimeve të prodhuesit.
- 3) Mjetet e mbajtura keq.
- 4) Përdorimi i lubrifikantëve ose aksesoreve të papërshtatshëm.
- 5) Mjetet që u jepen enteve të treta pa pagesë.
- 6) Dëmtimi për shkak të një lidhje elektrike në një tension tjetër nga ai i treguar në pllakën e pajisjes.
- 7) Lidhja me furnizimin me energji jo tokësore.
- 8) Ndryshimi i tensionit aktual.
- 9) Dëmtimet që vijnë si pasojë e përdorimit të ujit të kripur (p.sh., lavatrice, pompa).
- 10) Dëmtimi ose mosfunksionimi që rezultojn nga procedura e papërshtatshme e pastrimit të mjetit.
- 11) Kontakti i mjetit me kimikate, ose dëmtimi si pasojë e lagështisë ose korrozionit.
- 12) Mjete që janë modifikuar ose hapur nga personel i paautorizuar.
- 13) Veglat e përdorura për qira.

Garancia mbulon vetëm zëvendësimin pa pagesë të komponentit që paraqet një defekt prodhues ose dështim material. Në rast të mungesës së një pjese rezervë specifike kompania rezervon të drejtën për të zëvendësuar mjetin me një model tjetër përkatës. Pasi të jenë përfunduar të gjitha procedurat e garancisë, periudha e garancisë së mjetit nuk do të zgjatet ose të rinovohet. Zëvendësimi i një pjese rezervë, së bashku me ngarkesën e riparimit, mbulohet nga një garanci veprimi e mirë 1 vit, subjekt i përputhjes me kushtet e garancisë. Pjesët e këmbimit ose mjetet që zëvendësohen mbeten në zotërim të kompanisë sonë. Kërkesat, përveç atyre të përmendura në këtë formë garancie, në lidhje me riparimin ose dëmtimin e mjeteve të energjisë elektrike, nuk zbatohen. Ligji grek dhe rregullat relative zbatohen për këtë garancia.

SRB

Električni alati su proizvedeni prema strogim standardima koje je postavila naša kompanija a koji su usklađeni sa odgovarajućim evropskim standardima kvaliteta. Električni alati naše kompanije imaju garantni rok od 24 meseca za neprofesionalnu upotrebu, 12 meseci za profesionalnu upotrebu i 24 meseci za baterije i punjače. Garancija važi od dana kupovine proizvoda. Dokaz za pravo na garanciju je dokument o kupovini električnog alata (maloprodajni račun ili faktura). Ni pod kojim okolnosti ma kompanija neć e pokriri relevantne troškove rezervnih delova i potrebno odgovarajuć e i radno vreme ako se ne predoči kopija dokumenta o kupovini. U slučaju da popravku treba da uradi naš servis, troškove transporta (do i od) u potpunosti snosi pošiljalac (klijent). Električni alati za popravku se šalju u firmu gde su kupljeni ili u ovlašć eni servis i to tako da budu prikladno upakovani za transport.

IZUZECI I OGRANIČENJA GARANCIJE:

- 1) Rezervni delovi koji se prirodno troše kao posledica korišćenja (četkice, kablovi, prekidači, punjači, prigušnice itd).
- 2) Alati oštećeni kao posledica nepoštovanja uputstva proizvođača.
- 3) Alati su loše održavani.
- 4) Upotreba neodgovarajućih maziva ili pribora.
- 5) Alati su dati trećim licima besplatno.
- 6) Oštećenje usled električnog priključka na napon koji nije naznačen na pločici uređaja.
- 7) Povezivanje na neuzemljeno napajanje.
- 8) Promena napona struje.
- 9) Oštećenja nastala upotrebom slane vode (npr. mašine za pranje veša, pumpe).
- 10) Oštećenje ili kvar nastao kao posledica nepravilne procedure čišćenja alata.
- 11) Kontakt alata sa hemikalijama ili oštećenje usled vlage ili korozije.
- 12) Alati koje je modifikovalo ili otvorilo neovlašćeno osoblje.
- 13) Alati koji se koriste za iznajmljivanje.

Garancija pokriva samo besplatnu zamenu komponente koja ima fabričku grešku ili materijalne nedostatke. U slučaju nedostatka rezervnog dela, kompanija zadržava pravo zamene električnog alata drugim odgovarajućim modelom. Nakon isteka garantnog roka, garantni rok električnog alata se ne produžava niti obnavlja. Rezervni delovi ili Električni alati koji su zamenjeni ostaju u posedu naše kompanije. Zamena rezervnog dela, zajedno sa naplatom popravke, pokrivena je garancijom za 1 godinu dobrog rada, koja podleže poštovanju uslova garancije. Zahtevi, osim onih navedenih u ovom obrascu garancije, u vezi sa popravkom električnog alata ili njegovim oštećenjem ne važe. Na ovu garanciju se primenjuju grčki zakoni i odgovarajući propisi.

EN WARRANTY

This power tool is a quality product. It was designed in compliance with current technical standards and made carefully using normal, good quality materials. The warranty period is 24 months for non-professional use, 12 months for professional use and commences on the date of purchase, which can be verified by the receipt, invoice or delivery note. During this warranty period all functional errors, which, despite the careful treatment described in our operating manual, are verifiably due to material flaws, will be rectified by our after-sales service staff. The warranty takes the form that defective parts will be repaired or replaced with perfect parts free of charge at our discretion. Replaced parts will become our property. Repair work or the replacement of individual parts will not extend the warranty period nor will it result in a new warranty period being commenced for the appliance. No separate warranty period will commence for spare parts that may be used. We cannot offer a warranty for damage and defects on appliances or their parts caused by the use of excessive force, improper treatment and servicing. This also applies for failures to comply with the operating manual and the installation or spare and accessory parts that are not included in our range of products. In the event of interference with or modifications to the appliance by unauthorized persons, the warranty will be rendered void. Damages that are attributable to improper handling, over loading, or natural wear and tear are excluded from the guarantee. Damages caused by the manufacturer or by a material defect will be corrected at no charge by repair or by providing spare parts. The prerequisite is that the equipment is handed over assembled, and complete with the proof of sale and guarantee. For a guarantee claim, only use the original packaging. That way, we can guarantee quick and smooth guarantee processing. Please send us the appliances post-paid or request a Freeway sticker. Unfortunately we will be unable to accept appliances that are not postpaid. The warranty does not cover parts that are subject to natural wear and tear. If you wish to make a warranty claim, report faults or order spare parts or accessories, please contact the after-sales center: Subject to change without prior notice.

DE GARANTIE

Dieses Elektrowerkzeug ist ein Qualitätsprodukt. Es wurde gemäß den aktuellen technischen Standards entworfen und sorgfältig mit normalen, hochwertigen Materialien hergestellt. Die Garantiezeit beträgt 24 Monate bei nicht-professioneller Nutzung und 12 Monate bei professioneller Nutzung und beginnt mit dem Kaufdatum, was anhand von Quittung, Rechnung oder Lieferschein überprüft werden kann. Während dieser Garantiezeit werden alle Funktionsfehler, die trotz der in unserer Bedienungsanleitung beschriebenen sorgfältigen Behandlung nachweislich auf Materialfehler zurückzuführen sind, von unseren Kundendienstmitarbeitern behoben. Die Garantie besteht in der Form, dass defekte Teile nach unserem Ermessen kostenlos repariert oder durch einwandfreie Teile ersetzt werden. Ersetzte Teile werden unser Eigentum. Reparaturarbeiten oder der Austausch einzelner Teile verlängern die Garantiezeit nicht und führen nicht zu einer neuen Garantiezeit für das Gerät. Für eventuell verbrauchte Ersatzteile beginnt keine gesonderte Gewährleistungsfrist. Wir können keine Garantie für Schäden und Mängel an Geräten oder deren Teilen geben, die durch übermäßige Gewaltanwendung, unsachgemäße Behandlung und Wartung verursacht wurden. Dies gilt auch für die Nichtbeachtung der Bedienungsanleitung und der Montage- oder Ersatz- und Zubehörteile, die nicht in unserem Sortiment enthalten sind. Bei Eingriffen in die Änderung durch unbefugte Personen am Gerät erlischt die Garantie. Schäden, die auf unsachgemäße Behandlung, Überlastung oder natürliche Abnutzung zurückzuführen sind, sind von der Garantie ausgeschlossen. Schäden, die vom Hersteller oder durch einen Materialfehler verursacht werden, werden durch Reparatur oder Ersatzteillieferung kostenlos behoben. Voraussetzung ist, dass das Gerät zusammen mit dem Verkaufsbeleg und der Garantie zusammengebaut übergeben wird. Verwenden Sie für einen Garantieanspruch nur die Originalverpackung. Auf diese Weise können wir eine schnelle und reibungslose Garantieabwicklung garantieren. Bitte schicken Sie uns die Geräte im Nachhinein oder fordern Sie einen Freeway-Aufkleber an. Geräte, die nicht nachbezahlt werden, können wir leider nicht akzeptieren. Die Garantie erstreckt sich nicht auf Teile, die einem natürlichen Verschleiß unterliegen. Wenn Sie einen Garantieanspruch geltend machen, Fehler melden oder Ersatzteile oder Zubehör bestellen möchten, wenden Sie sich bitte an das Kundendienstcenter: Änderungen vorbehalten.

FR GARANTIE

Cet outil électrique est un produit de qualité. Il a été conçu conformément aux normes techniques en vigueur et fabriqué avec soin à l'aide de matériaux usuels et de qualité. La période de garantie est de 24 mois pour une utilisation non professionnelle et 12 mois pour une utilisation professionnelle et débute à la date d'achat. Elle peut être vérifiée sur le reçu, la facture ou le bon de livraison. Pendant cette période de garantie, toutes les erreurs de fonctionnement qui, malgré le traitement minutieux décrit dans notre manuel d'utilisation, sont dues à des défauts matériels, seront corrigées par notre service après-vente. La garantie prend la forme que les pièces défectueuses seront réparées ou remplacées par des pièces parfaites gratuitement à notre discrétion. Les pièces remplacées deviendront notre propriété. Les travaux de réparation ou le remplacement de pièces individuelles ne prolongeront pas la période de garantie et n'en traîneront pas le début d'une nouvelle période de garantie pour l'appareil. Aucune période de garantie séparée ne commencera pour les pièces de rechange susceptibles d'être utilisées. Nous ne pouvons pas offrir de garantie pour les dommages et les défauts des appareils ou de leurs pièces causés par l'utilisation d'une force excessive, un traitement ou un entretien inapproprié. Ceci s'applique également aux cas de non-respect du manuel d'utilisation et de l'installation ou des pièces détachées et accessoires non compris dans notre gamme de produits. En cas d'interférence avec des modifications apportées à l'appareil par des personnes non autorisées, la garantie sera annulée. Les dommages résultant d'une mauvaise manipulation, d'un chargement excessif ou d'une usure naturelle sont exclus de la garantie. Les dommages causés par le fabricant ou par un défaut matériel seront corrigés gratuitement par la réparation ou par la fourniture de pièces de rechange. La condition préalable est que le matériel soit remis assemblé et accompagné de la preuve de vente et de la garantie. Pour une demande de garantie, utilisez uniquement l'emballage d'origine. De cette manière, nous pouvons garantir un traitement rapide et sans heurts des garanties. S'il vous plaît envoyez-nous les appareils post-payés ou demandez un autocollant Freeway. Malheureusement, nous ne pourrions pas accepter les appareils non postpayés. La garantie ne couvre pas les pièces soumises à une usure naturelle. Si vous souhaitez faire une demande de garantie, signaler un défaut ou commander des pièces de rechange ou des accessoires, veuillez contacter le service après-vente: Sujet à modification sans préavis.

ESP GARANTÍA

Esta herramienta eléctrica es un producto de calidad. Fue diseñado de acuerdo con las normas técnicas actuales y se hizo con cuidado utilizando materiales normales y de buena calidad. El período de garantía es de 24 meses para uso no profesional y de 12 meses para uso profesional y comienza en la fecha de compra, que puede verificarse mediante el recibo, la factura o la nota de entrega. Durante este período de garantía, todos los errores funcionales que, a pesar del tratamiento cuidadoso que se describen en nuestro manual de operación, son verificables debido a fallas materiales, serán corregidos por nuestro personal de servicio postventa. La garantía adquiere la forma de que las piezas defectuosas se repararán o reemplazarán con piezas perfectas de forma gratuita a nuestra discreción. Las partes reemplazadas se convertirán en nuestra propiedad. Los trabajos de reparación o el reemplazo de piezas individuales no ampliarán el período de garantía, no dará lugar a que se comience un nuevo período de garantía para el aparato. No se iniciará ningún período de garantía por separado para las piezas de repuesto que puedan ser utilizadas. No podemos ofrecer una garantía por daños y defectos en los aparatos o sus partes causados por el uso excesivo de la fuerza, el tratamiento y el servicio incorrectos. Esto también se aplica a las fallas en el cumplimiento del manual de operación y la instalación o piezas de repuesto y accesorios que no están incluidos en nuestra gama de productos. En caso de interferencia con modificaciones al aparato por parte de personas no autorizadas, la garantía quedará anulada. Los daños que son atribuibles a un manejo inadecuado, sobrecarga o desgaste natural están excluidos de la garantía. Los daños causados por el fabricante o por un defecto de material se corregirán sin costo alguno por reparación o proporcionando piezas de repuesto. El requisito previo es que el equipo se entregue ensamblado y se complete con el comprobante de venta y garantía. Para una reclamación de garantía, utilice únicamente el embalaje original. De esta manera, podemos garantizar un rápido y suave procesamiento de garantías. Por favor, envíenos los electrodomésticos con pospago o solicite una etiqueta de Freeway. Lamentablemente, no podremos aceptar aparatos que no sean de pospago. La garantía no cubre las piezas que están sujetas a desgaste natural. Si desea realizar un reclamo de garantía, informar fallas o solicitar piezas de repuesto o accesorios, comuníquese con el centro de postventa: Sujeto a cambios sin previo aviso.

IT**GARANZIA**

Questo elettrodomestico è un prodotto di qualità. È stato progettato in conformità con le attuali norme tecniche e realizzato con attenzione utilizzando materiali normali di buona qualità. Il periodo di garanzia è di 24 mesi per uso non professionale e di 12 mesi per uso professionale e decorre dalla data di acquisto, che può essere verificata tramite ricevuta, fattura o bolla di consegna. Durante questo periodo di garanzia tutti gli errori funzionali, che, nonostante l'accurato trattamento descritto nel nostro manuale operativo, sono verificabili a causa di difetti dei materiali, verranno risolti dal nostro personale di assistenza post-vendita. La garanzia assume la forma che le parti difettose saranno riparate o sostituite con parti perfette gratuitamente a nostra discrezione. Le parti sostituite diventeranno di nostra proprietà. I lavori di riparazione o la sostituzione di singole parti non prolungheranno il periodo di garanzia, poiché non si verificherà un nuovo periodo di garanzia per l'apparecchio. Non inizierà alcun periodo di garanzia separato per i pezzi di ricambio che possono essere utilizzati. Non possiamo offrire una garanzia per danni e difetti su apparecchi o loro parti causati dall'uso di forza eccessiva, trattamento e manutenzione inadeguati. Ciò vale anche per il mancato rispetto o del manuale operativo e delle parti di installazione o di ricambio e accessori non inclusi nella nostra gamma di prodotti. In caso di interferenza con modifiche all'apparecchio da parte di persone non autorizzate, la garanzia sarà invalidata. Sono esclusi dalla garanzia i danni riconducibili a uso improprio, sovraccarico o usura naturale.

I danni causati dal produttore o da un difetto materiale verranno correte gratuitamente mediante riparazione o fornitura di pezzi di ricambio. Il presupposto è che l'attrezzatura sia consegnata assemblata e completa con la prova di vendita e garanzia. Per una richiesta di garanzia, utilizzare solo la confezione originale. In questo modo, possiamo garantirvi un'elaborazione della garanzia rapida e agevole. Vi preghiamo di inviarcene gli elettrodomestici con post-pagamento o richiedere un adesivo Freeway. Purtroppo non saremo in grado di accettare apparecchi che non sono postpagati. La garanzia non copre parti soggette a usura naturale. Se si desidera presentare una richiesta di intervento in garanzia, segnalare guasti o ordinare pezzi di ricambio o accessori, contattare il centro assistenza: soggetto a modifiche senza preavviso.

SLO**GARANCIJA**

Ta aprava je kakovosten izdelek. Zasnovan je bil v skladu z veljavnimi tehničnimi standardi in skrbno izdelan z običajnimi, kakovostnimi materiali. Garancijsko obdobje je 24 mesecev za neprofesionalno uporabo in 12 mesecev za profesionalno uporabo in se začne na dan nakupa, ki ga je mogoče preveriti s potrdilom o prejemu, računom ali dobavnico. V času garancijskega roka bodo vse funkcionalne napake, ki so kljub skrbni obdelavi, opisani v naših navodilih za uporabo, preverljive zaradi materialnih napak, odpravile naše servisno osebje. Garancija prevzame obliko, da bodo okvarjeni deli po lastni presoji brezplačno popravljivi ali zamenjani z brezhibnimi deli. Zamenjani deli bodo postali naša last. Popravila ali zamenjava posameznih delov ne podaljšujejo garancijskega roka, dokler ne začne veljati nova garancijska doba za napravo. Za rezervne dele, ki se lahko pojavijo, se ne bo začelo ločeno garancijsko obdobje. Ne moremo ponuditi garancije za poškodbe in napake na napravah ali njihovih delih zaradi uporabe prekomerne sile, nepravilne obdelave in servisiranja. To velja tudi za neupoštevanje navodil za uporabo in namestitve ali rezervnih delov in dodatkov, ki niso vključeni v našo paleto izdelkov. V primeru motenj v napravi s strani nepooblaščenih oseb, se garancija razveljavi. Poškodbe, ki so posledica nepravilnega ravnanja, obremenitve ali naravne obrabe, so izključene iz garancije. Poškodbe, ki jih povzročijo proizvajalec ali materialna napaka, se bodo popravile ali popravile z zagotavljanjem rezervnih delov. Predpogoj je, da se oprema preda sestavljena in skupaj z dokazilom o prodaji in garancijo. Za garancijski zahtevek uporabite samo originalno embalažo. Tako lahko zagotovimo hitro in gladko obdelavo garancij. Prosimo, pošljite nam naprave po plačilu ali zahtevajte nalepko za Freeway. Na žalost ne bomo mogli sprejeti naprav, ki niso postpaid. Garancija ne zajema delov, ki so predmet naravne obrabe. Če želite vložiti zahtevek za garancijo, prijaviti napake ali naročiti nadomestne dele ali dodatno opremo, se obrnite na spodnji prodajni center: Pridržujemo si pravico do sprememb brez predhodnega obvestila.

MLT**GARANYIJA**

Dan l-apparat huwa prodott ta' kwalità. Kienet imfassla f'konformità mal-istandards tekniċi attwali u saret b'attenzjoni bl-użu ta' materjali normali u ta' kwalità tajba. Il-perjodu tal-garanzija huwa ta' 24 xahar għal użu mhux professjonali u 12-il xahar għall-użu professjonali u jibda fid-data tax-xiri, li jista' jiġi vverifikat bir-riċevuta, fattura jew nota tal-kunsinna. Matul dan il-perjodu ta' garanzija l-iżbalji funzjonali kollha, li, minkejja t-trattament bir-reqq deskritt fil-manwal operattiv tagħna, huma verifikabbli minħabba difetti materjali, se jiġu kkoreġuti mill-istaff tagħna tas-servizz ta' wara l-bejgħ. Il-garanzija tiegħu l-forma li partijiet difettużi se jissewewew jew jiġu sostitwiti bi partijiet perfetti bla ħlas fid-diskreżjoni tagħna. Partijiet mibdula jsiru proprjetà tagħna. Ix-xogħol ta' tiswiġa jew is-sostituzzjoni ta' partijiet individwali ma jestendux il-perjodu ta' garanzija mhux se jirriżulta f'li jibda perjodu ġdid ta' garanzija għall-apparat. Ma jibda l-ebda perjodu ta' garanzija separat għal spare parts li jistgħu jiġu ted. Ma nistgħux noffru garanzija għal ħsara u difetti fuq l-apparat jew il-partijiet tagħhom ikkawżati mill-użu ta' forza eċċessiva, trattament mhux xieraq u manutenzjoni. Dan japplika wkoll għal nuqqasijiet ta' konformità mal-manwal tat-thaddim u l-installazzjoni jew partijiet ta' rikambju u aċċessorji li mhumiex inkluzi fil-firxa ta' prodotti tagħna. Fil-każ ta' interferenza ma' modifiki fl-apparat minn persuni mhux awtorizzati, il-garanzija ssir nulla. Ħsarat li huma attribwiti għal immaniġġjar hażin, tagħbija żejda, jew xedd u kedd naturali huma esklużi mill-garanzija. Danni kkawżati mill-manifattur jew minn difett materjali se jiġu kkoreġuti mingħajr ħlas permezz ta' tiswiġa jew billi jiġu pprovduti spare parts. Il-pre-kwiżit huwa li t-tagħmir jiġi mġodd immuntat, u komplet bil-prova tal-bejgħ u l-garanzija. Għal talba ta' garanzija, uża biss l-imballaġġ originali. B'dan il-mod, nistgħu niggarantixxu proċessar ta' garanzija malajr u bla xkiel. Jekk jogħġbok ibgħatilna l-appliances post-paid jew itlob stiker tal-Freeway. Sfortunatament ma nkunux nistgħu naċċettaw apparat li ma jithallasx wara. Il-garanzija ma tkoprix partijiet li huma soġġetti għal ilbies u kedd naturali. Jekk tixtieq tagħmel talba għall-garanzija, irrapporta ħsarat jew tordna spare parts jew aċċessorji, jekk jogħġbok ikkuntatt ja ċ-ċentru ta' wara l-bejgħ: Soġġett għal bidla mingħajr avviż minn qabel.

SK**ZÁRUKA**

Tento spotřebič je kvalitní výrobek. Bol navrhnutý v súlade s platnými technickými normami a opatrne používal bežné a kvalitné materiály. Záručná doba je 24 mesiacov na neprofesionálne použitie a 12 mesiacov na profesionálne použitie a začína plynúť dátumom nákupu, ktorý je možné overiť potvrdením, faktúrou alebo dodacím listom. Počas tejto záručnej lehoty všetky funkčné chyby, ktoré napriek starostlivej úprave popísanej v našom návode na obsluhu sú overiteľné z dôvodu materiálnych nedostatkov, opravia naši pracovníci popredajného servisu. Záruka má formu, že vadné časti budú opravené alebo nahradené perfektnými dielmi bezplatne podľa nášho uváženia. Nahradené diely sa stanú našimi vlastnosťami. Opravné práce alebo výmena jednotlivých dielov predĺženie záručnej lehoty nevedie k vzniku novej záručnej lehoty pre spotrebič. Za náhradné diely, ktoré môžu byť dodané, sa nezačína samostatná záručná lehota. Nemôžeme ponúknuť záruku na poškodenie a poškodenie spotrebičov alebo ich častí spôsobené nadmernou silou, nesprávnou obsluhou a servisom. Platí to aj pre poruchy v súlade s návodom na obsluhu a inštaláciou alebo náhradnými dielmi a príslušenstvom, ktoré nie sú súčasťou našej ponuky. V prípade zásahu do modifikácie spotrebiča neoprávnenými osobami sa záruka stane neplatnou. Škody, ktoré sú spôsobené nesprávnou manipuláciou, nadmerným zaťažením alebo prirodzeným opotrebovaním, sú z záruky vylúčené. Škody spôsobené výrobcom alebo chybou materiálu budú opravené bezplatne opravou alebo poskytnutím náhradných dielov. Predpokladom je, že zariadenie je odovzdané a kompletné s dokladom o predaji a zárukou. Pokiaľ ide o nárok na záruku, použite iba pôvodný obal. Týmto spôsobom môžeme zaručiť rýchle a plynulé spracovanie záruky. Pošlite nám, prosím, spotrebiče, ktoré ste už zaplatili, alebo požiadajte o nálepku Freeway. Bohužiaľ nebudeme môcť prijať zariadenia, ktoré nie sú vyplatené. Záruka sa nevzťahuje na časti, ktoré sú vystavené prirodzenému opotrebovaniu. Ak chcete požiadať o záruku, oznámiť chyby alebo objednať náhradné diely alebo príslušenstvo, obráťte sa na nižšie uvedené stredisko popredajného servisu: Podliehajú zmenám bez predchádzajúceho upozornenia.

BG
ГАРАНЦИЯ

Този уред е качествен продукт. Той е проектиран в съответствие с действащите технически стандарти и е направен внимателно при използване на нормални, качествени материали. Гаранционният срок е 24 месеца за непрофесионално ползване и 12 месеца за професионална употреба и започва да тече от датата на покупката, която може да бъде потвърдена с квитанция, фактура или документ за доставка. По време на този гаранционен период всички функционални грешки, които, въпреки внимателното третиране, описано в нашето ръководство за експлоатация, са проверими поради материални недостатъци, ще бъдат отстранени от нашия сервизен персонал. Гаранцията приема формата, в която дефектните части ще бъдат ремонтирани или заменени с перфектни части безплатно по наше усмотрение. Подменените части ще станат наша собственост. Ремонтните работи или подмяната на отделни части няма да удължат гаранционния срок, без това да доведе до започване на нов гаранционен период за уреда. За резервни части, които могат да бъдат поставени, няма да започне отделен гаранционен срок. Не можем да предложим гаранция за повреди и дефекти на уредите или техните части, причинени от използването на прекомерна сила, неправилно третиране и обслужване. Това важи и за неспазване на ръководството за експлоатация и инсталацията, както и резервни и допълнителни части, които не са включени в нашата гама от продукти. В случай на намеса в модификации на уреда от неупълномощени лица, гаранцията ще бъде премахната. Щети, които се дължат на неправилно боравене, натоварване или естествено износване, са изключени от гаранцията. Щети, причинени от производителя или от дефект на материала, ще бъдат поправени без заплащане чрез ремонт или чрез предоставяне на резервни части. Предпоставка е оборудването да се съблява и да се допълни с доказателство за продажба и гаранция. За гаранционна претенция използвайте само оригиналната опаковка. По този начин можем да гарантираме бърза и гладка обработка на гаранциите. Моля, изпратете ни уредите след плащане или заявете стикер на Freeway. За съжаление няма да можем да приемем уреди, които не са с абонамент. Гаранцията не покрива части, които са обект на естествено износване. Ако желаете да направите гаранционна претенция, да съобщите за неизправности или да поръчате резервни части или аксесоари, моля свържете се с центъра за поддръжка: Подлежи на промяна без предизвестие.

RO
GARANȚIE

Acest aparat este un produs de calitate. A fost proiectat în conformitate cu standardele tehnice actuale și a făcut cu atenție materiale normale, de bună calitate. Perioada de garanție este de 24 de luni pentru uz neprofesionist și de 12 luni pentru uz profesional și începe la data cumpărării, care poate fi verificată prin chitanță, factură sau buletin de livrare. În timpul acestei perioade de garanție, toate erorile funcționale, care, în ciuda tratamentului atent descris în manualul nostru de utilizare, sunt verifiabile din cauza defectelor materiale, vor fi rectificate -cate de personalul nostru de service post-vânzare. Garanția ia forma faptului că piesele defecte vor fi reparate sau înlocuite cu piese perfecte gratuit, la discreția noastră. Piesele înlocuite vor deveni proprietatea noastră. Lucrările de reparații sau înlocuirea pieselor individuale nu vor prelunge perioada de garanție, deoarece nu vor duce la începerea unei noi perioade de garanție pentru aparat. Nu se va începe nici o perioadă de garanție separată pentru piesele de schimb care pot fi incluse. Nu putem oferi o garanție pentru defecțiunile și defectele aparatelor sau ale pieselor acestora cauzate de utilizarea forței excesive, tratarea necorespunzătoare și întreținerea. Acest lucru se aplică și în caz de nerespectare a manualului de utilizare și a pieselor de instalare sau de rezervă și accesoriilor care nu sunt incluse în gama noastră de produse. În caz de interferență cu modifiările carele aduse aparatului de către persoane neautorizate, garanția va fi anulată. Daunele care pot fi atribuite manipulării necorespunzătoare, supraîncălzirii sau uzurii naturale sunt excluse din garanție. Deteriorările cauzate de producător sau de un defect material vor fi corectate gratuit, prin reparații sau prin furnizarea de piese de schimb. Condiția prealabilă este ca echipamentul să fi predat în asamblare și să fi completat cu dovada vânzării și a garanției. Pentru o cerere de garanție, utilizați numai ambalajul original. În acest fel, putem garanta procesarea rapidă și fără probleme a garanției. Trimiteți-ne aparatele post-plătiți sau solicitați un autocolant Freeway. Din păcate, nu vom putea accepta dispozitive care nu sunt plătite postpaid. Garanția nu acoperă piese care sunt supuse uzurii naturale. Dacă doriți să solicitați o garanție, să semnalați defecțiuni sau să comandați piese de schimb sau accesorii, vă rugăm să contactați centrul de asistență tehnică: Pot fi modificate fără o notificare prealabilă.

NMK
ГАРАНЦИЯ

Овој уред е квалитетен производ. Дизајниран е во согласност со тековните технички стандарди и направен е внимателно со употреба на нормални, квалитетни материјали. Гарантниот период е 24 месеци за непрофесионална употреба и 12 месеци за професионална употреба и започнува на датумот на купување, што може да се потврди со потврда, фактура или испратница. За време на овој гарантен период, сите функционални грешки, кои, и покрај внимателниот третман опишан во нашето упатство за работа, се проверливи поради материјални недостатоци, ќе бидат поправени од нашиот персонал по продажбата. Гаранцијата има форма дека неисправните делови ќе бидат поправени или заменети со совршени делови бесплатно по наша дискреција. Заменетите делови ќе станат наша сопственост. Работата за поправка или замената на поединечни делови нема да го продолжи гарантниот период и нема да резултира со започнување на нов гарантен период за апаратот. Нема да започне посебен гарантен период за резервните делови што може да се тераат. Не можеме да понудиме гаранција за оштетувања и дефекти на апаратите или нивните делови предизвикани од употреба на прекумерна сила, несоодветен третман и сервисирање. Ова исто така важи и за неусогласеност со упатството за работа и инсталацијата или резервните и дополнителните делови кои не се вклучени во нашата палета на производи. Во случај на мешање на модификации на апаратот од страна на неовластени лица, гаранцијата ќе се поништи. Штетите што се припишуваат на неправилно ракување, прекумерно оптоварување или природно абеење се исклучени од гаранцијата. Штетите предизвикани од производителот или од материјален дефект ќе се коригираат бесплатно со поправка или со обезбедување резервни делови. Предуслов е опремата да биде предадена склопена, и комплетна со доказ за продажба и гаранција. За гаранција, користете го само оригиналното пакување. На тој начин, можеме да гарантираме брза и непречена обработка на гаранциите. Ве молиме испратете ни ги апаратите пост-пејд или побарајте налепница за автопат. За жал, нема да можеме да прифатиме апарати што не се постпејд. Гаранцијата не опфаќа делови кои се предмет на природно абеење и кинење. Доколку сакате да поднесете барање за гаранција, да пријавите дефекти или да нарачате резервни делови или додатоци, ве молиме контактирајте го постпродажниот центар: Може да се промени без претходна најава.

HUN
GARANCIÁ

Ez a készülék minőségi termék. Úgy tervezték, hogy megfeleljen a jelenlegi műszaki szabványoknak, és gondosan, normál, jó minőségű anyagokkal készült. A jótállási idő nem professzionális használat esetén 24 hónap, szakmai használat esetén 12 hónap, és a vásárlás napján kezdődik, amelyet a kézszévtel, a számla vagy a kézbesítési értesítés igazolhat. A garanciaidő alatt minden olyan funkcionális hiba, amely az üzemeltetési utasításunkban leírt gondos kezelés ellenére bizonyíthatóan az anyagi hibák miatt következik be, a vevőszolgáltatunk javítja. A garancia olyan formája, hogy a hibás alkatrészek javítása vagy cseréje a tökéletes alkatrészekkel ingyenes. A cserélt részek tulajdonunk lesz. A javítási munkák vagy az egyes részek cseréje nem hosszabbítja meg a jótállási időszakot, és nem eredményez új garanciaidő megkezdését a készülék számára. Nincs külön garanciaidő a pótalkatrészek esetén. Nem nyújtunk garanciát a készülékek vagy alkatrészeik károsodására és hibáira a túlzott erő, a helytelen kezelés és a karbantartás miatt. Ez vonatkozik az üzemeltetési utasítás és a telepítés, illetve a tartalék és tartozék alkatrészeinek meg nem felelésére is, amelyek nem tartoznak a termékínálatunkba. Abban az esetben, ha a készülék jogosulatlan személy általi módosításai zavarnak, a garancia érvényét veszti. A nem megfelelő kezelés, a terhelés vagy a természetes kopás okozta károk nem tartoznak a garancia hatálya alá. A gyártó vagy az anyaghiba által okozott károkat a javítás vagy a pótalkatrészek beszerzése nélkül kijavítják. Az előfeltétel az, hogy a berendezést összeszerelték, és az értékesítés és a garancia igazolásával kiegészüljön. A garancia igényléséhez csak az eredeti csomagolást használja. Így garantálhatjuk a gyors és zökkenőmentes garanciafeldolgozást. Kérjük, küldje el nekünk a készüléket utólag fizetett vagy kérjen Freeway matricát. Sajnos nem tudjuk elfogadni a nem utólag fizetett készülékeket. A garancia nem terjed ki a természetes kopásnak kitett alkatrészekre. Ha garanciális igényt kíván nyújtani, hibákat jelenteni vagy pótalkatrészeket vagy tartozékokat rendelni, kérjük, vegye fel a kapcsolatot az alábbi értékesítési központtal: Előzetes értesítés nélkül változhat.

POL GWARANCJA

To urządzenie jest produktem wysokiej jakości. Został zaprojektowany zgodnie z aktualnymi standardami technicznymi i wykonany starannie przy użyciu zwykłych, dobrej jakości materiałów. Okres gwarancji wynosi 24 miesiące w przypadku użytku nieprofesjonalnego i 12 miesięcy w przypadku użytku profesjonalnego i rozpoczyna się w dniu zakupu, który można zweryfikować za pomocą paragonu, faktury lub dowodu dostawy. W okresie gwarancji wszystkie błędy funkcjonalne, które pomimo starannego traktowania opisanego w naszej instrukcji obsługi, są weryfikowalne przez wady materiałowe, zostaną naprawione przez nasz personel obsługi posprzedażnej. Gwarancja ma formę, w której wadliwe części zostaną naprawione lub wymienione na części zamiennie bezpłatnie według naszego uznania. Wymienione części staną się naszą własnością. Naprawa lub wymiana pojedynczych części nie przedłuży okresu gwarancji, nie spowoduje to rozpoczęcia nowego okresu gwarancyjnego dla urządzenia. Nie rozpocznie się oddzielny okres gwarancji na części zamiennie, które mogą być używane. Nie możemy zaferować gwarancji na uszkodzenia i usterki urządzeń lub ich części spowodowane użyciem nadmiernej siły, niewłaściwego traktowania i serwisowania. Dotyczy to również nieprzestrzegania instrukcji obsługi i instalacji lub części zamiennych i akcesoriów, które nie są zawarte w naszej ofercie produktów. W przypadku ingerencji w modyfikacje urządzenia przez osoby nieuprawnione, gwarancja zostanie unieważniona. Szkody, które można przypisać niewłaściwej obsłudze, nadmiernemu obciążeniu lub naturalnemu zużyciu, są wyłączone z gwarancji. Uszkodzenia spowodowane przez producenta lub wadę materiałową zostaną naprawione bezpłatnie przez naprawę lub przez dostarczenie części zamiennych. Warunkiem wstępnym jest przekazanie sprzętu w komplecie wraz z dowodem sprzedaży i gwarancją. W przypadku reklamacji należy używać tylko oryginalnego opakowania. W ten sposób możemy zagwarantować szybkie i płynne przetwarzanie gwarancji. Prześlij nam urządzenia post-paid lub zamów naklejkę na autostradę. Niestety nie będziemy mogli akceptować urządzeń, które nie są opłacane z dołu. Gwarancja nie obejmuje części ulegających naturalnemu zużyciu. Jeśli chcesz zgłosić roszczenie gwarancyjne, zgłośić usterki lub zamówić części zamiennie lub akcesoria, skontaktuj się z następującym centrum obsługi posprzedażnej: Zastrzega się możliwość zmian bez uprzedzenia.

ALB GARANCIA

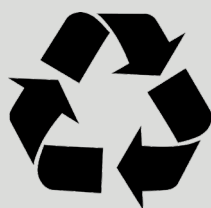
Kjo pajisje është një produkt cilësor. Washtë hartuar në përputhje me standardet aktuale teknike dhe është bërë me kujdes duke përdorur materiale normale, me cilësi të mirë. Periudha e garancisë është 24 muaj për përdorim jo profesional dhe 12 muaj për përdorim profesional dhe fillon në datën e blerjes, e cila mund të vërtetohet me faturën, faturën ose dorëzimin. Gjatë kësaj periudhe garancie, të gjitha gabimet funksionale, të cilat, përkundër trajtimit të kujdesshëm të përkthuesit në manualin tonë të funksionimit, janë verifikueshëm për shkak të metave të materialit, do të korrigjohen nga stafi ynë i shërbimit pas shitjes. Garancia merr formën që pjesët e dëmtuara do të riparohen ose zëvendësohen me pjesët të përsosura falas, sipas gjykimit tonë. Pjesët e zëvendësuarra do të bëhen pronë jonë. Puna e riparimit ose zëvendësimit i pjesëve individuale nuk do të zgjasë periudhën e garancisë, por nuk do të rezultojë në fillimin e një periudhe të re garancie për pajisjen. Asnjë periudhë e veçantë e garancisë nuk do të fillojë për pjesët rezervë që mund të merren. Në nuk mund të ofrojmë një garanci për dëmtimin dhe defektet e pajisjeve ose pjesëve të tyre të shkaktuara nga përdorimi i forcës së tepërt, trajtimi dhe shërbimi i pahijshëm. Kjo gjithashtu vlen për dëmtimet në përputhje me manualin e funksionimit dhe instalimin ose pjesët rezervë dhe aksesorë që nuk përfshihen në gamën tonë të produkteve. Në rast ndërhyrje në modifikimet e pajisjes nga persona të paautorizuar, garancia do të hiqet. Dëmet që mund t'i atribuohen trajtimit të pahijshëm, ngarkimit të tepërt, ose konsumit natyror, përjashtohen nga garancia. Dëmet e shkaktuara nga prodhuesi ose nga një defekt i materialit do të korrigjohen pa pagesë me riparim ose duke siguruar pjesë këmbimi. Parakushti është që pajisjet të dorëzohen të montuara, dhe të kompletuara me provën e shitjes dhe garancisë. Për një kërkesë garancie, përdorni vetëm paketimin origjinal. Në atë mënyrë, ne mund të garantojmë përpunim të shpejtë dhe të qetë të garancisë. Ju lutemi na dërgoni pajisjet me postë të paguar ose kërkoni një afishe autostradë. Për fat të keq, ne nuk do të jemi në gjendje të pranohim pajisje që nuk janë me kontratë. Garancia nuk përfshin pjesë që i nënshtrohen konsumit natyror. Nëse dëshironi të bëni një kërkesë për garanci, të raportoni gabime ose të porosisni pjesë rezervë ose pajisje, ju lutemi kontaktoni qendrën pas shitjes: Subjekti për të ndryshuar pa njëftim paraprak.

HR JAMSTVO

Ovaj je uređaj kvalitetan proizvod. Dizajniran je u skladu s trenutnim tehničkim standardima i izrađen je pažljivo koristeći normalne, kvalitetne materijale. Garancijsko razdoblje je 24 mjeseca za neprofesionalnu upotrebu i 12 mjeseci za profesionalnu uporabu i započinje datumom kupnje, što se može potvrditi potvrdom primitka, računa ili dostavnice. Tijekom ovog jamstvenog razdoblja sve će funkcionalne pogreške, koje su unatoč pažljivom postupanju opisanom u našem priručniku za upotrebu provjerljivo zbog materijalnih nedostataka, otkloniti od strane našeg servisnog osoblja. Jamstvo ima oblik da će se oštećeni dijelovi besplatno popraviti ili zamijeniti savršenim dijelovima, po našem nahođenju. Zamijenjeni dijelovi postat će naše vlasništvo. Popravak ili zamjena pojedinih dijelova neće produjiti jamstveno razdoblje, jer neće rezultirati novim jamstvenim rokom za uređaj. Neće započeti zasebni jamstveni rok za rezervne dijelove koji se mogu trošiti. Ne možemo pružiti jamstvo za oštećenja i oštećenja uređaja ili njihovih dijelova uzrokovanih prekomjernom silom, nepravilnim postupanjem i servisiranjem. To se također odnosi i na neusklađivanje s uputama za uporabu i instalacijskim ili rezervnim i pomoćnim dijelovima koji nisu uključeni u naš asortiman proizvoda. U slučaju ometanja neovlaštenih osoba na izmjenama uređaja, jamstvo će se poništiti. Oštećenja koja se mogu pripisati nepravilnom rukovanju, preopterećenju ili prirodnom habanju isključena su iz jamstva. Štete uzrokovane proizvođačem ili oštećenjem materijala ispravit će se besplatnim popravkom ili osiguravanjem rezervnih dijelova. Predviđet je da se oprema preda u sastavu, zajedno s dokazom o prodaji i garancijom. Za garancijski zahtjev koristite samo originalno pakiranje. Na taj način možemo jamčiti brzu i glatku obradu jamstava. Pošaljite nam uređaje naknadno ili zatražite naljepnicu autoputa. Nažalost, nećemo biti u mogućnosti prihvatiti uređaje koji nisu pretplaćeni. Jamstvo ne obuhvaća dijelove koji su podložni prirodnom habanju. Ako želite podnijeti zahtjev za jamstvom, prijaviti kvarove ili naručiti rezervne dijelove ili pribor, molimo kontaktirajte centar: Podložno promjenama bez prethodne najave.

SRB ГАРАНЦИЈА

Ovaj aparat je kvalitetan proizvod. Dizajniran je u skladu sa trenutnim tehničkim standardima i rađen pažljivo koristeći normalne, kvalitetne materijale. Garantni rok je 24 meseca. Garantni rok je 24 meseca za neprofesionalno korišćenje i 12 meseci za profesionalnu upotrebu i započinje danom kupovine, što se može verifikovati primaњem, fakturom ili otpremnicom. Tokom ovog garantnog perioda, sve funkcionalne greške koje se, uprkos pažljivom postupanju opisanom u našem uputstvu za upotrebu, verovatno mogu proveriti zbog materijalnih nedostataka, otkloniće od strane našeg servisnog osoblja. Garancija dobija oblik da će se neispravni delovi popraviti ili zameniti savršenim delovima besplatno po našem nahođenju. Zameњeni delovi postaће naše vlasništvo. Popravci ili zamena pojedinih delova neće produžiti garantni rok jer neće rezultirati novim garancijskim rokom za aparat. Neće почети посебан garantni rok za rezervne delove koji se mogu napuniti. Ne možemo pružiti garanciju za oštećenja i oštećenja uređaja ili њихових delova nastalih prekomernom silom, nepravilnim tretmanom i servisiraњem. Ovo se takođe odnosi i na nepoštovaње uputstva za upotrebu i instalacionih ili rezervnih i pomoćnih delova koji nisu obuhvaćeni našim asortimanom proizvoda. U slučaju ometaња модификација уређаја од стране неовлашћених особа, гаранција ће се поништити. Оштећења која се могу приписати неправилном руковању, преоптерећењу или природном хабању су искључена из гаранције. Оштећења настала од стране произвођача или оштећења материјала исправљаће се или поправљањем резервних делова бесплатно. Предуслов је да се опрема преда у саставу, заједно са доказом о продаји и гаранцијом. За захтев о гаранцији користите само оригинално паковање. На тај начин можемо гарантовати брзу и глатку обраду гаранција. Пошаљите нам уређаје накнадно или затражите налепницу са аутопута. Нажалост, нећемо бити у могућности да прихватимо уређаје који нису плаћени. Гаранција не покрива делове који су изложени природном хабању. Ако желите да поднесете захтев за гаранцијом, пријавите грешке или наручите резервне делове или додатну опрему, молимо контактирајте доњи продајни центар: Могу се променити без претходне најаве.



The instructions manual is also available in digital format on our website www.nikolaoutools.gr. Find it by entering the product code in the Search " 🔍 " field.

Μπορείτε να βρείτε τις οδηγίες χρήσης και σε ηλεκτρονική μορφή μέσω της ιστοσελίδας μας www.nikolaoutools.gr. Αναζητήστε τις με τον κωδικό προϊόντος στο πεδίο Αναζήτηση " 🔍 " .