

# BORMANN®

# PRO

Built to last.



**BID1300** – **BID4500** – **BID6500** – **BID9200**

020639

020615

028079

020622

EN FR

IT EL

BG SL

RO HR

v2.2



[WWW.NIKOLAOUTOOLS.COM](http://WWW.NIKOLAOUTOOLS.COM)





## Pictograms - Warning Labels



Double insulation



Wear eye protection equipment



Important information



Warning!



Wear ear protection equipment



Wear a dust mask



In order to reduce the risk of injury please read the following instructions.

## General Safety Rules



**WARNING!** Read all instructions, failure to follow all instructions listed below may result in electric shock, fire and / or serious injury. The term “power tool” in all of the warnings listed below refers to your mains-operated (corded) power tool or battery-operated (cordless) power tool.



**PLEASE KEEP THE INSTRUCTION MANUAL IN A SAFE PLACE**

### Work Area Safety

- Please keep work area clean and well lit. Dark or cluttered areas could invite accidents.
- Do not operate power tools in explosive atmospheres, such as in the presence of flammable liquids or fumes, gases or dust. Power tools could create sparks which may ignite the gases or fumes.
- Please keep children and bystanders in a safe distance while operating the power tool.

### Electrical Safety

- Please make sure that power tool plugs match the outlet.  
Do not ever modify the plug in any way. Do not use adapter plugs with earthed (grounded) power tools. Using unmodified plugs and matching outlets will reduce risk of electric shock and other injuries.
- Avoid body contact with earthed or grounded materials or objects, such as radiators, pipes, ranges and refrigerators. There is an tremendous risk of electric shock if your body is earthed or grounded.
- Do not expose power tools to rain or any other wet conditions. Water entering a power tool could increase the risk of electric shock.
- Do not abuse the power cord. Never use the cord for carrying, pulling or unplugging the electric tool. Keep cord in a safe distance from heat, oil, sharp edges and any moving parts. Damaged or entangled cords will increase the risk of electric shock.
- When operating an electric power tool outdoors, use an extension cable which has the appropriate specifications for outdoor use. Use of a an extension cable suitable for outdoor use reduces the risk of electric shock.
- If operating a power tool in a damp location cannot be avoided, use a residual current device (RCD) protected supply. Use of an RCD reduces the risk of electric shock.

### Personal Safety

- Stay alert, watch what you are doing and use common sense when operating a power tool. Do not use a power tool while you are feeling tired or under the influence of alcohol, drugs, or medication. A moment of inattention while operating a power tool may result in serious personal injury.
- Please use personal protective equipment. Always wear eye protection. Protective equipment such as a dust mask, or hearing protection, non-skid safety shoes or protective helmets, used for appropriate conditions will reduce personal injuries.
- Prevent unintentional starting. Ensure the power switch is in the off-position before connecting to power source and/or battery pack, picking up or carrying the power tool. Carrying power tools with your finger on the power switch or energising power tools that have the switch in the on position invites accidents.
- Remove any adjusting keys or wrenches before turning the power tool on. A tool left attached to a rotating part of the power tool may result in personal injury.
- Do not overreach. Keep balance and proper footing at all times. This helps to have a better control of the power tool in unexpected situations.
- Dress properly. Do not wear loose clothing or jewellery. Keep your hair, clothing and gloves away from any moving parts. Loose clothes, jewellery and/or long hair can be caught in moving parts.

### Power Tool Use And Care

- Please do not force the power tool. Use the correct power tool for the each application. The correct power tool will always

do the job better and safer when used at the rate for which it was designed.

- b) Do not use the power tool if the switch does not turn activate or deactivate it. Any power tool that cannot be controlled with the switch is extremely dangerous and must be repaired.
- c) Disconnect the main plug from the power source and/or the battery pack from the power tool before changing accessories, making any adjustments, or storing power tools. Such preventive safety measures will reduce the risk of starting the power tool accidentally.
- d) Store idle power tools out of the reach of children and do not allow persons unfamiliar with the power tool or these instructions to use and operate the power tool.  
Power tools are extremely dangerous in the hands of untrained users.
- e) Maintain power tools. Check for misalignment or binding of moving parts, breakage of parts, leakage and any other condition that may affect the power tool's operation. If damaged, please have the power tool repaired before use. Many accidents and injuries are caused by poorly maintained power tools.
- f) Keep all the cutting tools sharp and clean. Properly maintained cutting tools with sharp cutting edges are less likely to bind and are more precise and easier to control.
- g) Always use the power tool, accessories and tool bits etc. in accordance with the instructions of this instruction manual, taking into account the working conditions and the work to be performed.  
Use of the power tool for applications different from those intended could result in a hazardous situation.

### Service

- a) Have your power tool serviced by a qualified repair technician using only identical replacement parts. This will ensure that the safety of the power tool is maintained.

### Machine-Specific Safety Warnings

Always wear hearing protection when using impact drills or any other similar power tools. The influence of noise can lead to loss of hearing.

Always use the auxiliary handle supplied with the power tool/machine. Loss of control can cause personal injury.

Use appropriate detectors to determine if any utility lines are hidden in the work area or call the local utility company for assistance. Contact with electric lines could lead to fire and/or electric shock. Damaging a gas pipe can lead to explosion. The penetration of a water pipe could cause property damage or even to an electric shock.

Be sure to switch off the power tool immediately when the power tool bit jams. Be prepared for high reaction torque that can cause kickback.

The tool bit jams when:

- a) the power tool is subject to overload or
- b) it becomes wedged in the workpiece.

Hold the power tool only by the insulated gripping surfaces when performing an operation where the cutting tool could contact hidden cables or its own power cord. Contact with a "live" wire will also make any exposed metal parts of the power tool "live" and shock the operator.

When working with the power tool, always hold it firmly with your both hands and provide for a secure stance. The power tool is controlled more effectively with both hands.

Secure your workpiece. A workpiece clamped with a vice or clamping devices is held more secure than by hand.

Keep your workplace clean. Blends of materials are extremely dangerous. Dust from light alloys can burn or ignite.

Check for damage to the tool, and any parts or accessories which may have occurred during transport.

Take the time to thoroughly read and comprehend this manual prior to operation.

### Intended Use

The machine is intended for drilling in wood, metal and plastic surfaces.

Machines with electronic control and right/left rotation are also suitable for screw-driving and thread-cutting.

Machines with an impact function are suitable for drilling in bricks, concrete and stone.

\* The manufacturer reserves the right to make minor changes to product design and technical specifications without prior notice unless these changes significantly affect the performance and safety of the products. The parts described / illustrated in the pages of the manual that you hold in your hands may also concern other models of the manufacturer's product line with similar features and may not be included in the product you just acquired.

\* To ensure the safety and reliability of the product and the warranty validity, all repair, inspection, repair or replacement work, including maintenance and special adjustments, must only be carried out by technicians of the authorized service department of the manufacturer.

\* Always use the product with the supplied equipment. Operation of the product with non-provided equipment may cause malfunctions or even serious injury or death. The manufacturer and the importer shall not be liable for injuries and damages resulting from the use of non-conforming equipment.

## Functional Description and Specifications

The following numbering refers to the illustration of the machine indicated on page 2.

1	Keyless chuck*
2	On/Off switch
3	Speed Pre-selection Thumb-wheel*
4	Lock-on button
5	Rotational direction switch
6	Impact Drilling / Drilling function selector switch*
7	Auxiliary handle*
8	Depth stop*
9	Gear Selector switch*
10	Keyed chuck*
11	Chuck key*



\* The accessories illustrated or described are not included as standard delivery.

## Technical Data

Model	BID4500	BID6500	BID9200	BID1300
Rated Voltage:	230V / 120V	230V	230V	230V
Rated Frequency:	50Hz / 60Hz	50Hz	50Hz	50Hz
Input Power:	400w	650w	920w	1200w
No load Speed:	0-4200rpm	0-2850rpm	0-3000rpm	0-1200rpm / 0-3000rpm
Chuck Type:	Keyless 10mm	Keyless 13mm	Keyless 13mm	Keyless 13mm

## Electrical Safety

The electric motor has been designed for a specific voltage only. Always check that the power supply corresponds to the voltage written on the rating plate.

## Assembly Instructions - Main Adjustments



Before using the tool, please read all the instructions.

### Auxiliary Handle (not available in all models)

Operate your machine only with the auxiliary handle.

The auxiliary handle can be set to any position for a secure and comfortable working posture.

Turn the handle (or the clamp) in an anticlockwise direction to adjust and set it to the required position. Then tighten the handle turning it (or the clamp) in a clockwise direction or press the corresponding button and release it after completing the adjustment.



### Adjusting the Drilling Depth (not available in all models)

The required drilling depth can be set using the depth stop.

Turn the handle in an anticlockwise direction (or press the button) in order to untighten it and insert the depth stop into the auxiliary handle. Pull out the depth stop until the distance between the tip of the drill bit and the tip of the depth stop correspond with the desired drilling depth.



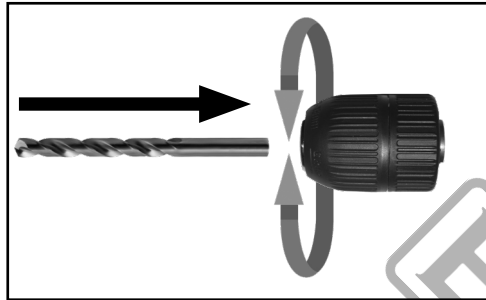
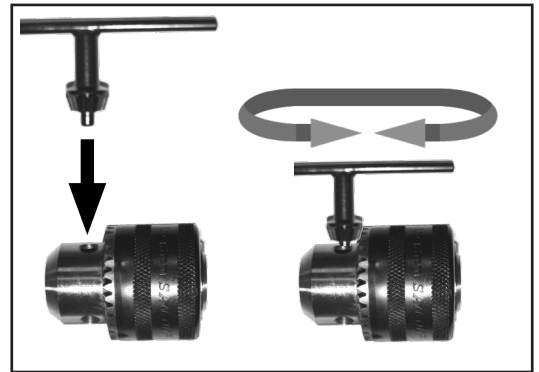
Tighten the handle to lock the depth stop to the preselected position (or release the button).

#### Key Type Drill Chuck (not available in all models)

Open the key type drill chuck by turning it anticlockwise until the tool can be inserted. Insert the tool. Insert the chuck key into the corresponding holes of the key type drill chuck and tighten the chuck uniformly.

#### Replacing The Drill Chuck

- For machines without spindle lock, please handle the power tool carefully. Prior to assembly or disassembly always unplug the tool. The chuck must be replaced through an authorized service Center.



#### Keyless Drill Chuck

Untighten the chuck by turning it counter-clockwise until the tool can be inserted. Finally, tighten the chuck clockwise to the point at which the tool is hold securely.

#### Dust/Chip Extraction Precautions

Dusts from materials such as lead-containing coatings, some wood types, minerals and some types of metal can be harmful to one's health. Touching or inhaling the dusts can cause allergic reactions and/or lead to respiratory infections of the user or bystanders.

Certain dusts, such as oak or beech dust, are considered as carcinogenic, especially in connection with wood-treatment additives (chromate, wood preservative). Materials containing asbestos may only be worked by specialists. Provide for good ventilation of the working place.

It is recommended to wear an appropriate filter-class respirator.

Observe the relevant regulations in your country for the materials to be worked.

- Prevent dust accumulation at the workplace. Be careful and always keep in mind that dusts can easily ignite.

#### Operating Instructions

Always observe the safety instructions and any applicable regulations.

Observe and be sure of the correct mains voltage!

The voltage of the power source must agree with the voltage specified on the nameplate of the machine/power tool.

#### Selecting the Rotational Direction

The rotational direction switch is used to reverse the rotational direction of the power tool.

Be sure not to use the rotational direction switch with the On/Off switch actuated.

**Right Rotation:** For drilling and driving in screws.

**Left Rotation:** For loosening and unscrewing screws and nuts.

#### Switching ON and OFF

- To start the power tool, press the On/Off switch and keep it pressed.

To lock the pressed On/Off switch, press the lock-on button.

- To switch off the machine, release the On / Off switch or when it is locked with the lock-on button, rapidly press the On/Off switch and then release it.

#### Impact Drilling (not available in all models)

Set the selector switch to the Impact drilling position (hammer symbol).

#### Adjusting the Speed/Impact Frequency

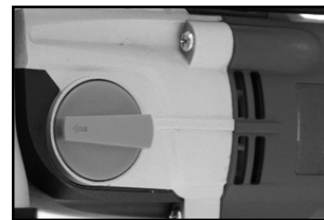
The speed/impact rate can be variably adjusted, depending on how far the On/Off switch is pressed.

Light pressure on the On/Off switch will give a low speed/impact rate. Further pressure on the switch will increase the speed/impact rate.

**Preselecting the Speed/Impact Frequency (not available in all models)**

The thumb-wheel can be used in order to pre-select the power tool's speed. The required speed/impact frequency can be preselected even during operation.

The required speed/impact frequency depends on the material and the working conditions, and can only be determined through practical testing.

**Gear selection (not available in all models)**

Use the gear selector to choose between two gears.

**Gear I:** Low speed range; for working with large drilling diameter tools or for driving in screws.

**Gear II:** High speed range; for working with small drilling diameter tools. Always turn the gear selector in the direction of the arrow. If the gear cannot be fully engaged, rotate the drive spindle with the drill bit by slightly turning the drill chuck.

**Maintenance**

Your Bormann power tool has been designed to operate over a long period of time with a minimum of maintenance.

**Lubrication**

Your power tool requires no additional lubrication.

**Cleaning**

Keep the ventilation slots clean and clear and regularly clean the housing using a soft cloth.

**Disposal**

The power tool, accessories and packaging should be sorted for environmental-friendly recycling.

**Only for EU countries:**

Do not dispose of power tools into household waste!

According to the European Guideline 2002/96/EC for Waste Electrical and Electronic Equipment and its implementation into national right, power tools that are no longer usable must be collected separately and disposed of in an environmentally correct manner.

## Pictogrammes - Étiquettes d'avertissement



Double isolation



Porter des lunettes de protection



Informations importantes



Attention !



Portez une protection auditive



Portez un masque anti-poussière



Afin de réduire le risque de blessure, veuillez lire les instructions suivantes.

## Règles générales de sécurité



**AVERTISSEMENT !** Lisez toutes les instructions, le non-respect de toutes les instructions énumérées ci-dessous peut entraîner un choc électrique, un incendie et/ou des blessures graves. Le terme "outil électrique" dans tous les avertissements énumérés ci-dessous fait référence à votre outil électrique fonctionnant sur secteur (filaire) ou sur batterie (sans fil).



**VEUILLEZ CONSERVER LE MANUEL D'INSTRUCTION DANS UN LIEU SÛR**

### Sécurité de la zone de travail

- Veillez garder la zone de travail propre et bien éclairée. Les zones sombres ou encombrées peuvent favoriser les accidents.
- N'utilisez pas d'outils électriques dans des atmosphères explosives, par exemple en présence de liquides ou de fumées inflammables, de gaz ou de poussière. Les outils électriques pourraient créer des étincelles susceptibles d'enflammer les gaz ou les fumées.
- Veillez garder les enfants et les personnes présentes à une distance sûre pendant l'utilisation de l'outil électrique.

### Sécurité électrique

- Veillez vous assurer que les fiches des outils électriques correspondent à la prise de courant. Ne modifiez jamais la fiche de quelque façon que ce soit. N'utilisez pas de fiches d'adaptation avec des outils électriques mis à la terre. L'utilisation de fiches non modifiées et de prises de courant adaptées réduira le risque de choc électrique et d'autres blessures.
- Évitez tout contact corporel avec des matériaux ou des objets mis à la terre, tels que des radiateurs, des tuyaux, des cuisinières et des réfrigérateurs. Il y a un risque énorme de choc électrique si votre corps est mis à la terre ou relié à la masse.
- N'exposez pas les outils électriques à la pluie ou à toute autre condition humide. La pénétration d'eau dans un outil électrique peut augmenter le risque de choc électrique.
- Ne pas abuser du cordon d'alimentation. N'utilisez jamais le cordon pour porter, tirer ou débrancher l'outil électrique. Gardez le cordon à une distance sûre de la chaleur, de l'huile, des bords tranchants et de toute pièce mobile. Un cordon endommagé ou emmêlé augmente le risque de choc électrique.
- Lorsque vous utilisez un outil électrique à l'extérieur, utilisez une rallonge dont les spécifications sont adaptées à une utilisation en extérieur. L'utilisation d'une rallonge adaptée à une utilisation en extérieur réduit le risque de choc électrique.
- Si l'utilisation d'un outil électrique dans un endroit humide ne peut être évitée, utilisez une alimentation protégée par un dispositif à courant résiduel (RCD). L'utilisation d'un RCD réduit le risque de choc électrique.

### Sécurité personnelle

- Restez vigilant, regardez ce que vous faites et faites preuve de bon sens lorsque vous utilisez un outil électrique. N'utilisez pas un outil électrique si vous êtes fatigué ou sous l'influence de l'alcool, de drogues ou de médicaments. Un moment d'inattention lors de l'utilisation d'un outil électrique peut entraîner des blessures graves.
- Veillez utiliser un équipement de protection individuelle. Portez toujours des lunettes de protection. Les équipements de protection tels que le masque anti-poussière, les protections auditives, les chaussures de sécurité antidérapantes ou les casques de protection, utilisés dans des conditions appropriées, réduiront les blessures.
- Empêchez tout démarrage involontaire. Assurez-vous que l'interrupteur d'alimentation est en position d'arrêt avant de brancher la source d'alimentation et/ou le bloc-piles, de prendre ou de transporter l'outil électrique. Transporter des outils électriques avec le doigt sur l'interrupteur ou mettre sous tension des outils électriques dont l'interrupteur est en position de marche est une invitation aux accidents.
- Retirez les clés de réglage ou les clés à molette avant de mettre l'outil électrique en marche. Un outil laissé attaché à une partie rotative de l'outil électrique peut entraîner des blessures corporelles.
- Ne vous penchez pas trop. Gardez l'équilibre et une bonne assise à tout moment. Cela permet de mieux contrôler l'outil électrique dans des situations inattendues.
- Habilitez-vous correctement. Ne portez pas de vêtements amples ni de bijoux. Gardez vos cheveux, vos vêtements et vos gants à l'écart des pièces mobiles. Les vêtements amples, les bijoux et/ou les cheveux longs peuvent être happés par les pièces en mouvement.

### Utilisation et entretien des outils électriques

- Ne forcez pas l'outil électrique. Utilisez le bon outil électrique pour chaque application. Le bon outil électrique sera toujours



fait le travail mieux et de manière plus sûre lorsqu'il est utilisé au rythme pour lequel il a été conçu.

b) N'utilisez pas l'outil électrique si l'interrupteur ne permet pas de l'activer ou de le désactiver. Tout outil électrique qui ne peut être contrôlé à l'aide de l'interrupteur est extrêmement dangereux et doit être réparé.

c) Débranchez la fiche principale de la source d'alimentation et/ou le bloc-piles de l'outil électrique avant de changer les accessoires, d'effectuer des réglages ou de ranger les outils électriques. Ces mesures de sécurité préventives réduiront le risque de démarrage accidentel de l'outil électrique.

d) Rangez les outils électriques inactifs hors de portée des enfants et ne permettez pas à des personnes non familiarisées avec l'outil électrique ou ces instructions d'utiliser et de faire fonctionner l'outil électrique. Les outils électriques sont extrêmement dangereux entre les mains d'utilisateurs non formés.

e) Entretenez les outils électriques. Vérifiez que les pièces mobiles ne sont pas mal alignées ou coincées, qu'elles ne sont pas cassées, qu'il n'y a pas de fuite ou toute autre condition qui pourrait affecter le fonctionnement de l'outil électrique. En cas de dommage, faites réparer l'outil électrique avant de l'utiliser. De nombreux accidents et blessures sont causés par des outils électriques mal entretenus.

f) Maintenez tous les outils de coupe affûtés et propres. Des outils de coupe correctement entretenus et aux tranchants affûtés risquent moins de se coincer et sont plus précis et plus faciles à contrôler.

g) Utilisez toujours l'outil électrique, les accessoires et les embouts etc. conformément aux instructions de ce manuel d'instructions, en tenant compte des conditions de travail et du travail à effectuer.

L'utilisation de l'outil électrique pour des applications différentes de celles prévues peut entraîner une situation dangereuse.

#### Service

a) Faites réparer votre outil électrique par un technicien qualifié en utilisant uniquement des pièces de rechange identiques. Cela permettra de garantir la sécurité de l'outil électrique.

#### Avertissements de sécurité spécifiques à la machine

Portez toujours une protection auditive lorsque vous utilisez des perceuses à percussion ou tout autre outil électrique similaire. L'influence du bruit peut entraîner une perte d'audition.

Utilisez toujours la poignée auxiliaire fournie avec l'outil/machine électrique. La perte de contrôle peut entraîner des blessures corporelles.

Utilisez les détecteurs appropriés pour déterminer si des lignes électriques sont cachées dans la zone de travail ou appelez la compagnie d'électricité locale pour obtenir de l'aide. Tout contact avec des lignes électriques peut entraîner un incendie et/ou un choc électrique. L'endommagement d'une conduite de gaz peut entraîner une explosion. La pénétration d'une conduite d'eau peut entraîner des dommages matériels, voire un choc électrique.

Veillez à éteindre immédiatement l'outil électrique lorsque la mèche de l'outil électrique se bloque. Soyez prêt à faire face à un couple de réaction élevé qui peut provoquer un rebond.

L'embout de l'outil se bloque lorsque:

- a) l'outil électrique est soumis à une surcharge ou
- b) il se coince dans la pièce.

Tenez l'outil électrique uniquement par les surfaces de préhension isolées lorsque vous effectuez une opération où l'outil de coupe pourrait entrer en contact avec des câbles cachés ou son propre cordon d'alimentation. Le contact avec un fil "sous tension" rendra également toute partie métallique exposée de l'outil électrique "sous tension" et choquera l'opérateur. Lorsque vous travaillez avec l'outil électrique, tenez-le toujours fermement avec vos deux mains et assurez-vous d'avoir une position sûre. Le contrôle de l'outil électrique est plus efficace avec les deux mains.

Fixez votre pièce. Une pièce serrée à l'aide d'un étau ou de dispositifs de serrage est mieux maintenue qu'à la main. Maintenez votre lieu de travail propre. Les mélanges de matériaux sont extrêmement dangereux. La poussière des alliages légers peut brûler ou s'enflammer. Vérifiez que l'outil, les pièces et les accessoires n'ont pas été endommagés pendant le transport.

Prenez le temps de lire attentivement et de comprendre ce manuel avant de l'utiliser.

#### Utilisation prévue

La machine est destinée au perçage de surfaces en bois, en métal et en plastique.

Les machines à commande électronique et à rotation droite/gauche conviennent également au vissage et au filetage.

Les machines dotées d'une fonction d'impact conviennent pour le perçage dans les briques, le béton et la pierre.

\* Le fabricant se réserve le droit d'apporter des modifications mineures à la conception et aux spécifications techniques des produits sans préavis, à moins que ces modifications n'affectent de manière significative les performances et la sécurité des produits. Les pièces décrites / illustrées dans les pages du manuel que vous tenez entre vos mains peuvent également concerner d'autres modèles de la gamme de produits du fabricant présentant des caractéristiques similaires et peuvent ne pas être incluses dans le produit que vous venez d'acquérir.

\* Pour garantir la sécurité et la fiabilité du produit et la validité de la garantie, tous les travaux de réparation, d'inspection, de réparation ou de remplacement, y compris l'entretien et les réglages spéciaux, doivent être effectués uniquement par des techniciens du service après-vente agréé du fabricant.

\* Utilisez toujours le produit avec l'équipement fourni. L'utilisation du produit avec un équipement non fourni peut entraîner des dysfonctionnements, voire des blessures graves ou la mort. Le fabricant et l'importateur ne peuvent être tenus responsables des blessures et dommages résultant de l'utilisation d'un équipement non conforme.

## Description fonctionnelle et spécifications

La numérotation suivante fait référence à l'illustration de la machine indiquée à la page 2.

1	Mandrin sans clé*
2	Interrupteur marche/arrêt
3	Présélection de la vitesse molette*
4	Bouton de verrouillage
5	Interrupteur de sens de rotation
6	Commutateur de sélection des fonctions de perçage à percussion/perçage*.
7	Poignée auxiliaire
8	Butée de profondeur*
9	Commutateur de sélection de la vitesse
10	Mandrin à clavette *
11	Clé de mandrin*



\* Les accessoires illustrés ou décrits ne sont pas inclus dans la livraison standard.

## Données techniques

Modèle	BID4500	BID6500	BID9200	BID1300
Tension nominale:	230V / 120V	230V	230V	230V
Fréquence nominale:	50Hz / 60Hz	50Hz	50Hz	50Hz
Puissance d'entrée:	400w	650w	920w	1200w
Vitesse à vide:	0-4200rpm	0-2850rpm	0-3000rpm	0-1200rpm / 0-3000rpm
Type de mandrin:	Sans clé 10mm	Sans clé 13mm	Sans clé 13mm	Sans clé 13mm

## Sécurité électrique

Le moteur électrique a été conçu pour une tension spécifique uniquement. Vérifiez toujours que l'alimentation électrique correspond à la tension indiquée sur la plaque signalétique.

## Instructions de montage - Réglages principaux



Avant d'utiliser l'outil, veuillez lire toutes les instructions.

### Poignée auxiliaire (non disponible sur tous les modèles)

Utilisez votre machine uniquement avec la poignée auxiliaire.

La poignée auxiliaire peut être réglée dans n'importe quelle position pour une posture de travail sûre et confortable. Tournez la poignée (ou la pince) dans le sens inverse des aiguilles d'une montre pour l'ajuster et la mettre dans la position requise. Serrez ensuite la poignée en la tournant (ou la pince) dans le sens des aiguilles d'une montre ou appuyez sur le bouton correspondant et relâchez-le après avoir terminé le réglage.



### Réglage de la profondeur de perçage (non disponible sur tous les modèles)

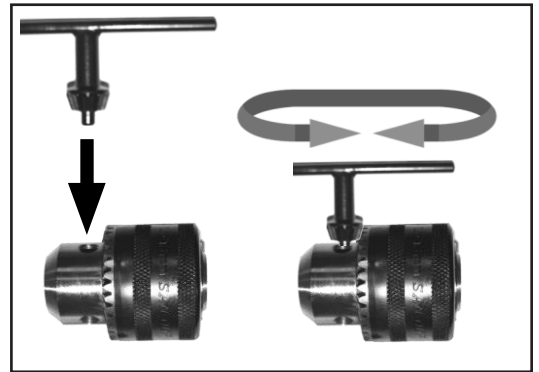
La profondeur de forage requise peut être réglée à l'aide de la butée de profondeur. Tournez la poignée dans le sens inverse des aiguilles d'une montre (ou appuyez sur le bouton) afin de la desserrer et insérez la butée de profondeur dans la poignée auxiliaire. Tirez la butée de profondeur jusqu'à ce que la distance entre la pointe de la mèche et la pointe de la butée de profondeur corresponde à la profondeur de forage souhaitée.



Serrez la poignée pour verrouiller la butée de profondeur sur la position présélectionnée (ou relâchez le bouton).

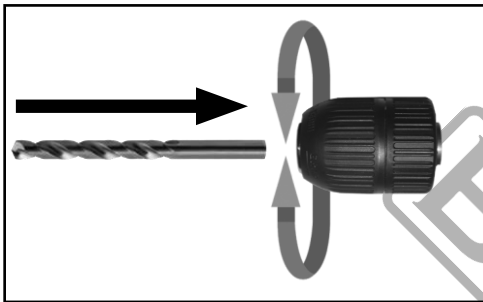
#### Mandrin de perçage à clé (non disponible sur tous les modèles)

Ouvrez le mandrin de perçage à clé en le tournant dans le sens inverse des aiguilles d'une montre jusqu'à ce que l'outil puisse être inséré. Insérez l'outil. Insérez la clé du mandrin dans les trous correspondants du mandrin de perçage à clé et serrez le mandrin uniformément.



#### Remplacement du mandrin de la perceuse

• Pour les machines sans verrouillage de la broche, veuillez manipuler l'outil électrique avec précaution. Avant le montage ou le démontage, débranchez toujours l'outil. Le mandrin doit être remplacé par un centre de service agréé.



#### Mandrin de perceuse sans clé

Desserrez le mandrin en le tournant dans le sens inverse des aiguilles d'une montre jusqu'à ce que l'outil puisse être inséré. Enfin, serrez le mandrin dans le sens des aiguilles d'une montre jusqu'à ce que l'outil soit solidement maintenu.

#### Précautions pour l'extraction des poussières/copeaux

Les poussières provenant de matériaux tels que les revêtements contenant du plomb, certains types de bois, les minéraux et certains types de métaux peuvent être nocives pour la santé. Le fait de toucher ou d'inhaler ces poussières peut provoquer des réactions allergiques et/ou entraîner des infections respiratoires chez l'utilisateur ou les personnes présentes.

Certaines poussières, comme les poussières de chêne ou de hêtre, sont considérées comme cancérogènes, notamment en relation avec les additifs de traitement du bois (chromate, produit de préservation du bois). Les matériaux contenant de l'amiante ne peuvent être travaillés que par des spécialistes.

Prévoir une bonne ventilation du lieu de travail.

Il est recommandé de porter un appareil respiratoire à filtre approprié.

Respectez les réglementations en vigueur dans votre pays pour les matériaux à travailler.

• Empêchez l'accumulation de poussière sur le lieu de travail. Soyez prudent et gardez toujours à l'esprit que les poussières peuvent facilement s'enflammer.

### Instructions d'utilisation

Respectez toujours les consignes de sécurité et les réglementations en vigueur.

Respectez et assurez-vous de la bonne tension du réseau!

La tension de la source d'alimentation doit correspondre à la tension indiquée sur la plaque signalétique de la machine/outil électrique.

#### Sélection du sens de rotation

Le commutateur de sens de rotation est utilisé pour inverser le sens de rotation de l'outil électrique.

Veillez à ne pas utiliser l'interrupteur de sens de rotation lorsque l'interrupteur marche/arrêt est actionné.

**Rotation à droite :** Pour percer et enfoncer des vis.

**Rotation à gauche :** Pour desserrer et dévisser les vis et les écrous.

#### Commutation ON et OFF

• Pour démarrer l'outil électrique, appuyez sur l'interrupteur marche/arrêt et maintenez-le enfoncé.

Pour verrouiller l'interrupteur marche/arrêt enfoncé, appuyez sur le bouton de verrouillage.

• Pour éteindre la machine, relâchez l'interrupteur Marche/Arrêt ou, s'il est verrouillé par le bouton d'enclenchement, appuyez rapidement sur l'interrupteur Marche/Arrêt, puis relâchez-le.

#### Perçage par impact (pas disponible sur tous les modèles)

Placez le sélecteur en position Perçage à percussion (symbole du marteau).

#### Réglage de la fréquence de vitesse/impact

La vitesse/le taux d'impact peuvent être réglés de manière variable, en fonction de la distance à laquelle l'interrupteur marche/arrêt est enfoncé.

Une légère pression sur l'interrupteur marche/arrêt donne une vitesse/impact faible. Une pression plus forte sur l'interrupteur augmentera la vitesse/le taux d'impact.

**Présélection de la fréquence de vitesse/impact (non disponible sur tous les modèles)**

La molette peut être utilisée pour présélectionner la vitesse de l'outil électrique. La vitesse/fréquence d'impact requise peut être présélectionnée même pendant le fonctionnement. La vitesse/fréquence d'impact requise dépend du matériau et des conditions de travail, et ne peut être déterminée que par des essais pratiques.

**Sélection des vitesses (non disponible sur tous les modèles)**

Utilisez le sélecteur de vitesse pour choisir entre deux vitesses.

**Vitesse I :** Gamme de vitesse basse ; pour travailler avec des outils de grand diamètre de perçage ou pour enfoncer des vis.

**Vitesse II :** gamme de vitesse élevée ; pour travailler avec des outils de petit diamètre de perçage. Tournez toujours le sélecteur de vitesse dans le sens de la flèche. Si la vitesse ne peut pas être complètement engagée, faites tourner la broche d'entraînement avec le foret en tournant légèrement le mandrin de la perceuse.

**Maintenance**

Votre outil électrique Bormann a été conçu pour fonctionner pendant une longue période avec un minimum d'entretien.

**Lubrification**

Votre outil électrique ne nécessite aucune lubrification supplémentaire.

**Nettoyage**

Maintenez les fentes de ventilation propres et dégagées et nettoyez régulièrement le boîtier à l'aide d'un chiffon doux.

**Élimination**

L'outil électrique, les accessoires et l'emballage doivent être triés pour un recyclage respectueux de l'environnement.

**Uniquement pour les pays de l'UE:**

Ne pas jeter les outils électriques dans les ordures ménagères!

Conformément à la directive européenne 2002/96/CE relative aux déchets d'équipements électriques et électroniques et à sa transposition en droit national, les outils électriques qui ne sont plus utilisables doivent être collectés séparément et éliminés d'une manière écologiquement correcte.

## Pittogrammi - Etichette di avvertenza



**Doppio isolamento**



**Indossare una protezione per gli occhi attrezzature**



**Informazioni importanti**



**Attenzione!**



**Indossare una protezione per le orecchie attrezzature**



**Indossare una maschera antipolvere**



**Per ridurre il rischio di lesioni, leggere le seguenti istruzioni.**

## Norme generali di sicurezza



**ATTENZIONE!** Leggere tutte le istruzioni; la mancata osservanza di tutte le istruzioni elencate di seguito può provocare scosse elettriche, incendi e/o gravi lesioni. Il termine "utensile elettrico" in tutte le avvertenze elencate di seguito si riferisce all'utensile elettrico alimentato a rete (con cavo) o a batteria (a batteria).



**CONSERVARE LE ISTRUZIONI PER L'USO IN UN LUOGO SICURO.**

### Sicurezza dell'area di lavoro

- Mantenere l'area di lavoro pulita e ben illuminata. Aree buie o disordinate possono provocare incidenti.
- Non utilizzare gli utensili elettrici in atmosfere esplosive, ad esempio in presenza di liquidi o fumi infiammabili, gas o polveri. Gli utensili elettrici potrebbero creare scintille che potrebbero incendiare i gas o i fumi.
- Tenere i bambini e gli astanti a distanza di sicurezza durante l'uso dell'elettrostrumento.

### Sicurezza elettrica

- Assicurarsi che le spine degli utensili elettrici corrispondano alla presa di corrente. Non modificare mai la spina in alcun modo. Non utilizzare spine adattatrici con utensili elettrici dotati di messa a terra. L'uso di spine non modificate e di prese corrispondenti riduce il rischio di scosse elettriche e altre lesioni.
- Evitare il contatto del corpo con materiali o oggetti collegati a terra, come radiatori, tubi, cucine e frigoriferi. Il rischio di scosse elettriche è molto elevato se il corpo è collegato a terra.
- Non esporre gli utensili elettrici alla pioggia o ad altre condizioni di umidità. L'ingresso di acqua in un elettrostrumento può aumentare il rischio di scosse elettriche.
- Non abusare del cavo di alimentazione. Non utilizzare mai il cavo per trasportare, tirare o scollegare l'utensile elettrico. Tenere il cavo a distanza di sicurezza da calore, olio, bordi taglienti e parti in movimento. I cavi danneggiati o aggrovigliati aumentano il rischio di scosse elettriche.
- Quando si utilizza un elettrostrumento all'aperto, utilizzare un cavo di prolunga con le specifiche adeguate per l'uso all'aperto. L'uso di un cavo di prolunga adatto all'uso esterno riduce il rischio di scosse elettriche.
- Se non è possibile evitare di utilizzare un utensile elettrico in un luogo umido, utilizzare un'alimentazione protetta da un dispositivo di corrente residua (RCD). L'uso di un RCD riduce il rischio di scosse elettriche.

### Sicurezza personale

- Quando si utilizza un elettrostrumento, occorre essere vigili, fare attenzione a ciò che si fa e usare il buon senso. Non utilizzare un utensile elettrico quando si è stanchi o sotto l'effetto di alcol, droghe o farmaci. Un momento di disattenzione durante l'uso di un elettrostrumento può causare gravi lesioni personali.
- Utilizzare i dispositivi di protezione individuale. Indossare sempre una protezione per gli occhi. L'uso di dispositivi di protezione come maschere antipolvere, protezioni per l'udito, scarpe di sicurezza antiscivolo o caschi protettivi, utilizzati in condizioni adeguate, ridurrà le lesioni personali.
- Prevenire l'avviamento involontario. Assicurarsi che l'interruttore di alimentazione sia in posizione off prima di collegare la fonte di alimentazione e/o la batteria, di sollevare o trasportare l'elettrostrumento. Trasportare gli utensili elettrici con il dito sull'interruttore di alimentazione o dare energia agli utensili elettrici che hanno l'interruttore in posizione di accensione favorisce gli incidenti.
- Prima di accendere l'elettrostrumento, rimuovere le chiavi di regolazione o le chiavi inglesi. Un utensile lasciato attaccato a una parte rotante dell'elettrostrumento può causare lesioni personali.
- Non sporgersi eccessivamente. Mantenere sempre l'equilibrio e l'appoggio corretto. Questo aiuta a controllare meglio l'elettrostrumento in situazioni impreviste.
- Vestirsi in modo adeguato. Non indossare abiti larghi o gioielli. Tenere i capelli, gli indumenti e i guanti lontani dalle parti in movimento. Vestiti larghi, gioielli e/o capelli lunghi possono impigliarsi nelle parti in movimento.

### Uso e cura degli elettrostrumenti

- Non forzare l'elettrostrumento. Utilizzare l'elettrostrumento corretto per ogni applicazione. L'utensile corretto sarà sempre

svolgere il lavoro in modo migliore e più sicuro se utilizzato alla velocità per cui è stato progettato.

b) Non utilizzare l'elettrotensile se l'interruttore non lo attiva o lo disattiva. Qualsiasi utensile elettrico che non può essere controllato con l'interruttore è estremamente pericoloso e deve essere riparato.

c) Scollegare la spina principale dalla fonte di alimentazione e/o il pacco batteria dall'elettrotensile prima di cambiare gli accessori, effettuare regolazioni o riporre l'elettrotensile. Queste misure di sicurezza preventive riducono il rischio di avviamento accidentale dell'elettrotensile.

d) Conservare gli utensili elettrici inattivi fuori dalla portata dei bambini e non consentire l'uso e l'utilizzo dell'utensile a persone che non conoscono l'utensile o le presenti istruzioni.

Gli utensili elettrici sono estremamente pericolosi nelle mani di utenti non addestrati.

e) Manutenzione degli utensili elettrici. Controllare che non vi siano disallineamenti o impedimenti delle parti mobili, rotture di parti, perdite e qualsiasi altra condizione che possa compromettere il funzionamento dell'elettrotensile.

Se danneggiato, far riparare l'elettrotensile prima dell'uso. Molti incidenti e infortuni sono causati da una cattiva manutenzione degli utensili elettrici.

f) Mantenere tutti gli utensili da taglio affilati e puliti. Gli utensili da taglio sottoposti a una corretta manutenzione e dotati di bordi taglienti affilati hanno meno probabilità di legarsi e sono più precisi e facili da controllare.

g) Utilizzare sempre l'elettrotensile, gli accessori e le punte per utensili ecc. in conformità alle istruzioni del presente manuale, tenendo conto delle condizioni di lavoro e dell'attività da svolgere.

L'uso dell'elettrotensile per applicazioni diverse da quelle previste potrebbe causare situazioni di pericolo.

### Servizio

a) Affidare l'assistenza dell'elettrotensile a un tecnico qualificato che utilizzi solo parti di ricambio identiche. In questo modo si garantisce la sicurezza dell'elettrotensile.

### Avvertenze di sicurezza specifiche per la macchina

Indossare sempre una protezione per l'udito quando si utilizzano trapani a percussione o altri utensili elettrici simili.

L'influenza del rumore può causare la perdita dell'udito.

Utilizzare sempre l'impugnatura ausiliaria fornita con l'elettrotensile/macchina. La perdita di controllo può causare lesioni personali.

Utilizzare i rilevatori appropriati per determinare se nell'area di lavoro sono nascoste linee elettriche o chiamare l'azienda elettrica locale per assistenza. Il contatto con le linee elettriche può provocare incendi e/o scosse elettriche. Il danneggiamento di un tubo del gas può causare esplosioni. La penetrazione di un tubo dell'acqua può causare danni alle cose o addirittura scosse elettriche.

Assicurarsi di spegnere immediatamente l'elettrotensile quando la punta si inceppa. Prepararsi a una coppia di reazione elevata che può causare contraccolpi.

La punta dell'utensile si inceppa quando:

- a) l'elettrotensile è soggetto a sovraccarico o
- b) si incastra nel pezzo.

Tenere l'utensile elettrico solo per le superfici di presa isolate quando si esegue un'operazione in cui l'utensile da taglio potrebbe entrare in contatto con cavi nascosti o con il proprio cavo di alimentazione. Il contatto con un cavo "sotto tensione" renderà "sotto tensione" anche le parti metalliche esposte dell'elettrotensile e provocherà una scossa all'operatore.

Quando si lavora con l'elettrotensile, bisogna sempre tenerlo saldamente con entrambe le mani e assumere una posizione sicura. L'elettrotensile si controlla meglio con entrambe le mani.

Bloccare il pezzo da lavorare. Un pezzo fissato con una morsa o un dispositivo di serraggio è più sicuro di quello che si ottiene a mano. Mantenetelo pulito il vostro posto di lavoro. Le miscele di materiali sono estremamente pericolose.

La polvere delle leghe leggere può bruciare o incendiarsi. Controllare che l'utensile, le parti e gli accessori non abbiano subito danni durante il trasporto.

Prima dell'uso, leggere attentamente e comprendere il presente manuale.

### Uso previsto

La macchina è destinata alla foratura di superfici in legno, metallo e plastica.

Le macchine con controllo elettronico e rotazione destra/sinistra sono adatte anche per avvitare e filettare.

Le macchine con funzione di impatto sono adatte alla foratura di mattoni, calcestruzzo e pietra.

\* Il produttore si riserva il diritto di apportare modifiche minori al design e alle specifiche tecniche del prodotto senza preavviso, a meno che tali modifiche non influiscano in modo significativo sulle prestazioni e sulla sicurezza dei prodotti. Le parti descritte/illustrate nelle pagine del manuale che avete tra le mani possono riguardare anche altri modelli della linea di prodotti del produttore con caratteristiche simili e potrebbero non essere incluse nel prodotto appena acquistato.

\* Per garantire la sicurezza e l'affidabilità del prodotto e la validità della garanzia, tutti i lavori di riparazione, ispezione, riparazione o sostituzione, compresa la manutenzione e le regolazioni speciali, devono essere eseguiti esclusivamente da tecnici del servizio di assistenza autorizzato del produttore.

\* Utilizzare sempre il prodotto con le apparecchiature in dotazione. L'utilizzo del prodotto con apparecchiature non in dotazione può causare malfunzionamenti o addirittura lesioni gravi o morte. Il produttore e l'importatore non sono responsabili per lesioni e danni derivanti dall'uso di apparecchiature non conformi.

## Descrizione funzionale e specifiche

La seguente numerazione si riferisce all'illustrazione della macchina indicata a pagina 2.

1	Mandrino senza chiave*
2	Interruttore On/Off
3	Preselezione della velocità Rotella*
4	Pulsante di blocco
5	Interruttore del senso di rotazione
6	Selettore della funzione di foratura a percussione/foratura*
7	Maniglia ausiliaria*
8	Arresto di profondità*
9	Selettore di marcia*
10	Mandrino con chiave*
11	Chiave di mandrino*



\* Gli accessori illustrati o descritti non sono inclusi nella fornitura standard.

## Dati tecnici

Modello	BID4500	BID6500	BID9200	BID1300
Tensione nominale:	230V / 120V	230V	230V	230V
Frequenza nominale:	50Hz / 60Hz	50Hz	50Hz	50Hz
Potenza in ingresso:	400w	650w	920w	1200w
Velocità a vuoto:	0-4200 giri/min	0-2850 giri/min	0-3000 giri/min	0-1200 giri/min. 0-3000 giri/min.
Tipo di mandrino:	Senza chiave 10 mm	Senza chiave 13 mm	Senza chiave 13 mm	Senza chiave 13 mm

## Sicurezza elettrica

Il motore elettrico è stato progettato solo per una tensione specifica. Verificare sempre che l'alimentazione corrisponda alla tensione indicata sulla targhetta.

## Istruzioni di montaggio - Regolazioni principali



Prima di utilizzare lo strumento, leggere tutte le istruzioni.

### Maniglia ausiliaria (non disponibile in tutti i modelli)

Utilizzare la macchina solo con l'impugnatura ausiliaria.

L'impugnatura ausiliaria può essere regolata in qualsiasi posizione per una postura di lavoro sicura e confortevole. Ruotare la maniglia (o il morsetto) in senso antiorario per regolare e impostare la posizione desiderata. Quindi stringere la maniglia (o il morsetto) in senso orario o premere il pulsante corrispondente e rilasciarlo al termine della regolazione.



### Regolazione della profondità di foratura (non disponibile in tutti i modelli)

La profondità di foratura desiderata può essere impostata utilizzando l'arresto di profondità.

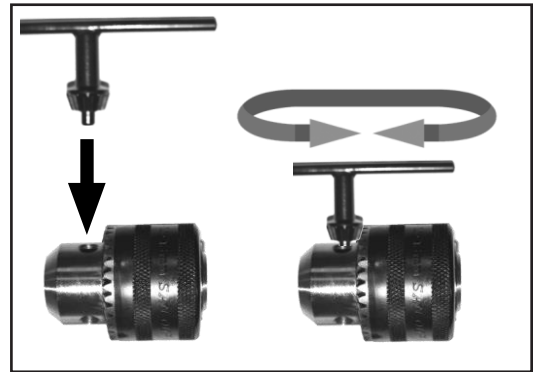
Ruotare l'impugnatura in senso antiorario (o premere il pulsante) per svitarla e inserire l'arresto di profondità nell'impugnatura ausiliaria. Estrarre l'arresto di profondità fino a quando la distanza tra la punta della punta e la punta dell'arresto di profondità corrisponde alla profondità di foratura desiderata.



Serrare la maniglia per bloccare l'arresto di profondità nella posizione preselezionata (o rilasciare il pulsante).

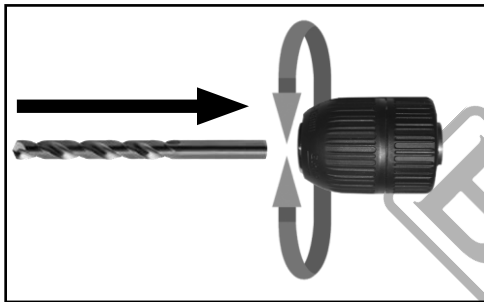
#### Mandrino a chiave (non disponibile in tutti i modelli)

Aprire il mandrino del trapano con chiave ruotandolo in senso antiorario fino a quando è possibile inserire l'utensile. Inserire l'utensile. Inserire la chiave del mandrino nei fori corrispondenti del mandrino a chiave e serrare il mandrino in modo uniforme.



#### Sostituzione del mandrino del trapano

- Per le macchine senza blocco del mandrino, maneggiare con cura l'utensile elettrico. Prima di montare o smontare l'utensile, staccare sempre la spina. Il mandrino deve essere sostituito da un centro di assistenza autorizzato.



#### Mandrino per trapano senza chiave

Allentare il mandrino ruotandolo in senso antiorario fino a quando l'utensile può essere inserito. Infine, serrare il mandrino in senso orario fino al punto in cui l'utensile viene trattenuto saldamente.

#### Precauzioni per l'estrazione di polvere e trucioli

Le polveri di materiali come i rivestimenti contenenti piombo, alcuni tipi di legno, i minerali e alcuni tipi di metallo possono essere dannose per la salute. Il contatto o l'inalazione delle polveri possono causare reazioni allergiche e/o infezioni respiratorie dell'utente o degli astanti.

Alcune polveri, come quella di quercia o di faggio, sono considerate cancerogene, soprattutto in relazione agli additivi per il trattamento del legno (cromati, conservanti del legno). I materiali contenenti amianto possono essere lavorati solo da specialisti.

Garantire una buona ventilazione del luogo di lavoro.

Si raccomanda di indossare un respiratore di classe adeguata.

Osservare le norme vigenti nel proprio Paese per i materiali da lavorare.

- Evitare l'accumulo di polvere sul posto di lavoro. Prestare attenzione e tenere sempre presente che le polveri possono incendiarsi facilmente.

#### Istruzioni per l'uso

Osservare sempre le istruzioni di sicurezza e le norme vigenti.

Osservare e accertarsi della corretta tensione di rete!

La tensione della fonte di alimentazione deve corrispondere a quella indicata sulla targhetta della macchina/utensile.

#### Selezione del senso di rotazione

L'interruttore del senso di rotazione serve a invertire il senso di rotazione dell'elettrotrattensile.

Assicurarsi di non utilizzare l'interruttore del senso di rotazione con l'interruttore On/Off attivato.

**Rotazione destra:** Per forare e avvitare le viti.

**Rotazione a sinistra:** Per allentare e svitare viti e dadi.

#### Commutazione di ON/OFF

- Per avviare l'elettrotrattensile, premere l'interruttore On/Off e mantenerlo premuto.

Per bloccare l'interruttore On/Off premuto, premere il pulsante di blocco.

- Per spegnere l'apparecchio, rilasciare l'interruttore di accensione/spegnimento oppure, quando è bloccato con il pulsante di blocco, premere rapidamente l'interruttore di accensione/spegnimento e poi rilasciarlo.

#### Foratura a percussione (non disponibile in tutti i modelli)

Posizionare il selettore sulla posizione di foratura a percussione (simbolo del martello).

#### Regolazione della frequenza di velocità/impatto

La velocità/impatto può essere regolata in modo variabile, a seconda della pressione dell'interruttore On/Off.

Una leggera pressione sull'interruttore di accensione/spegnimento determina una bassa velocità/impatto. Una maggiore pressione sull'interruttore aumenterà la velocità/il tasso di impatto.



**Preselezione della velocità/frequenza d'impatto (non disponibile in tutti i modelli)**

La rotella può essere utilizzata per preselezionare la velocità dell'elettrotensile. La velocità/frequenza d'impatto richiesta può essere preselezionata anche durante il funzionamento. La velocità/frequenza di impatto necessaria dipende dal materiale e dalle condizioni di lavoro e può essere determinata solo attraverso prove pratiche.

**Selezione della marcia (non disponibile in tutti i modelli)**

Utilizzare il selettore di marcia per scegliere tra due marce.

**Ingranaggio I:** Gamma a bassa velocità; per lavorare con utensili di grande diametro o per l'inserimento di viti.

**Ingranaggio II:** Gamma ad alta velocità; per lavorare con utensili di piccolo diametro. Ruotare sempre il selettore di marcia nella direzione della freccia. Se non è possibile inserire completamente la marcia, ruotare il mandrino di azionamento con la punta del trapano ruotando leggermente il mandrino.

**Manutenzione**

L'elettrotensile Bormann è stato progettato per funzionare a lungo con una manutenzione minima.

**Lubrificazione**

L'elettrotensile non necessita di ulteriore lubrificazione.

**Pulizia**

Mantenere pulite e libere le fessure di ventilazione e pulire regolarmente l'alloggiamento con un panno morbido.

**Smaltimento**

L'elettrotensile, gli accessori e l'imballaggio devono essere smistati per essere riciclati in modo ecologico.

**Solo per i paesi dell'UE:**

Non smaltire gli utensili elettrici nei rifiuti domestici!

Secondo la Direttiva europea 2002/96/CE sui rifiuti di apparecchiature elettriche ed elettroniche e la sua implementazione nel diritto nazionale, gli elettrotensili non più utilizzabili devono essere raccolti separatamente e smaltiti in modo ecologicamente corretto.

## Εικονογράμματα Κινδύνου



Διπλή μόνωση



Φοράτε γυαλιά ή μάσκα ασφαλείας



Σημαντική πληροφορία!



Προσοχή  
Κίνδυνος!



Φοράτε ακουστικά προστασίας ή ωτοασπίδες



Για να μειώσετε τον κίνδυνο τραυματισμού, διαβάστε τις παρακάτω οδηγίες.



Φοράτε μάσκα προστασίας από την σκόνη

## Οδηγίες Ασφαλούς Χρήσης



Διαβάστε όλες τις προειδοποιητικές υποδείξεις. Αμέλειες κατά την τήρηση των προειδοποιητικών υποδείξεων μπορεί να προκαλέσουν ηλεκτροπληξία, κίνδυνο πυρκαγιάς ή/και σοβαρούς τραυματισμούς.

Ο ορισμός «Ηλεκτρικό εργαλείο» που χρησιμοποιείται στις προειδοποιητικές υποδείξεις αναφέρεται σε ηλεκτρικά εργαλεία που τροφοδοτούνται από το ηλεκτρικό δίκτυο (με ηλεκτρικό καλώδιο) καθώς και σε ηλεκτρικά εργαλεία που τροφοδοτούνται από μπαταρία (χωρίς ηλεκτρικό καλώδιο).



Φυλάξτε το εγχειρίδιο σε ένα ασφαλές σημείο για κάθε μελλοντική χρήση.

### 1) Ασφάλεια στο χώρο εργασίας

- α) Διατηρείτε τον χώρο εργασίας καθαρό και επαρκώς φωτισμένο. Η ακαταστασία και η ανεπαρκώς φωτισμένες περιοχές εργασίας μπορεί να οδηγήσουν σε ατυχήματα και τραυματισμό.
- β) Μην εργάζεστε με το ηλεκτρικό εργαλείο σε χώρους όπου υπάρχει κίνδυνος έκρηξης, στο οποίο υπάρχουν εύφλεκτα υγρά, αναθυμιάσεις, αέρια ή σκόνη. Τα ηλεκτρικά εργαλεία ενδέχεται να δημιουργήσουν σπινθηρισμό ο οποίος μπορεί να αναφλέξει τη σκόνη ή τις αναθυμιάσεις.
- γ) Όταν χρησιμοποιείτε το ηλεκτρικό εργαλείο κρατάτε τα παιδιά κι άλλα τυχόν παρευρισκόμενα άτομα σε ασφαλή απόσταση. Η απόσπαση της προσοχής μπορεί να οδηγήσει στην απώλεια ελέγχου του εργαλείου/μηχανήματος.

### 2) Ηλεκτρική ασφάλεια

- α) Το φισ του καλωδίου του ηλεκτρικού εργαλείου πρέπει να είναι συμβατό με την πρίζα. Δεν επιτρέπεται η οποιαδήποτε μετατροπή του φισ. Μη χρησιμοποιείτε αντάπτορες σε συνδυασμό με γειωμένα ηλεκτρικά εργαλεία. Τα ανέπαφα φισ και οι σωστές πρίζες μειώνουν τον κίνδυνο ηλεκτροπληξίας.
  - β) Αποφεύγετε την επαφή με γειωμένες επιφάνειες όπως είναι οι σωλήνες, τα θερμαντικά σώματα (καλοριφέρ), κουζίνες ή ψυγεία. Όταν το σώμα σας γειώνεται αυξάνεται ο κίνδυνος ηλεκτροπληξίας.
  - γ) Μην εκθέτετε τα μηχανήματα και τα εργαλεία στη βροχή ή την υγρασία. Η διείσδυση νερού σ' ένα ηλεκτρικό εργαλείο αυξάνει τον κίνδυνο ηλεκτροπληξίας.
  - δ) Μη χρησιμοποιείτε το ηλεκτρικό καλώδιο για να μεταφέρετε ή να μετακινήσετε το ηλεκτρικό εργαλείο, ή για να βγάλετε το φισ από την πρίζα. Κρατάτε το ηλεκτρικό καλώδιο μακριά από υπερβολικές θερμοκρασίες, κοφτερές ακμές και/ή από κινητά εξαρτήματα. Τυχόν χαλασμένα ή περιπλεγμένα ηλεκτρικά καλώδια αυξάνουν τον κίνδυνο ηλεκτροπληξίας.
  - ε) Όταν εργάζεστε μ' ένα ηλεκτρικό εργαλείο σε εξωτερικό χώρο, χρησιμοποιείτε καλώδια προέκτασης (μπαλαντζές) που είναι κατάλληλα και για χρήση σε εξωτερικούς χώρους. Η χρήση καλωδίων προέκτασης κατάλληλων για εξωτερικούς χώρους ελαττώνει τον κίνδυνο ηλεκτροπληξίας.
  - στ) Όταν η χρήση του ηλεκτρικού εργαλείου σε περιβάλλοντα με υγρασία είναι αναπόφευκτη, τότε χρησιμοποιήστε έναν διακόπτη προστασίας διαρροής (διακόπτη RCD).
- Η χρήση ενός διακόπτη προστασίας διαρροής ελαττώνει τον κίνδυνο ηλεκτροπληξίας.

### 3) Προσωπική ασφάλεια

- α) Να είστε πάντοτε προσεκτικοί, να δίνετε προσοχή στην εργασία που εκτελείτε και να χειρίζεστε το μηχάνημα με σύνεση. Δεν επιτρέπεται η χρήση του εργαλείου από τον χειριστή όταν υπάρχουν ενδείξεις κόπωσης, ή όταν βρίσκεται υπό την επιρροή ναρκωτικών, αλκοόλ ή φαρμακευτικών ουσιών. Ένα στιγμιαίο λάθος κατά το χειρισμό του ηλεκτρικού εργαλείου μπορεί να οδηγήσει σε σοβαρό τραυματισμό.
- β) Φοράτε κατάλληλο εξοπλισμό ατομικής προστασίας. Επιλέξτε τον κατάλληλο εξοπλισμό προστασίας όπως είναι μια μάσκα προστασίας από την σκόνη, τα αντιολισθητικά υποδήματα ασφαλείας, το κράνος προστασίας και τα ακουστικά προστασίας ή οι ωτοασπίδες, ανάλογα με το εκάστοτε εργαλείο και τη χρήση του, έτσι ώστε να μειωθεί ο κίνδυνος τραυματισμού.

γ) Προστατευθείτε από την ακούσια εκκίνηση.

Βεβαιωθείτε ότι το ηλεκτρικό εργαλείο έχει απενεργοποιηθεί πριν το συνδέσετε με το ηλεκτρικό δίκτυο ή με την μπαταρία του όπως επίσης και πριν το μεταφέρετε. Όταν μεταφέρετε το ηλεκτρικό εργαλείο ακουμπώντας το δάχτυλό σας στο διακόπτη ON/OFF ή όταν συνδέσετε το εργαλείο με την πηγή ρεύματος όταν αυτό είναι ενεργοποιημένο, τότε δημιουργείται κίνδυνος τραυματισμού.

δ) Αφαιρείτε από τα ηλεκτρικά εργαλεία τυχόν εργαλεία ρύθμισης πριν θέσετε το ηλεκτρικό εργαλείο σε λειτουργία. Ένα εργαλείο ρύθμισης που βρίσκεται συνδεδεμένο σ' ένα κινούμενο τμήμα μπορεί να οδηγήσει σε τραυματισμό.

ε) Μην υπερεκτιμάτε τις ικανότητές σας. Επιλέξτε μια σωστή στάση του σώματος και διατηρείτε πάντοτε την ισορροπία σας έτσι ώστε να είστε σε θέση να αντιμετωπίσετε απροσδόκητες περιστάσεις.

στ) Ντυθείτε με τα κατάλληλα ενδύματα. Μη φοράτε ρούχα με χαλαρή εφαρμογή ή κοσμήματα. Κρατήστε τα μαλλιά σας, τα ρούχα σας και τα γάντια σας σε ασφαλή απόσταση από τα κινούμενα εξαρτήματα.

Τα χαλαρά ενδύματα, τα κοσμήματα ή τα μακριά μαλλιά μπορεί να εμπλακούν στα κινούμενα εξαρτήματα του εργαλείου.

ζ) Όταν υπάρχει η δυνατότητα σύνδεσης ενός συστήματος συλλογής σκόνης, βεβαιωθείτε ότι τα όλα τα εξαρτήματα και οι συνδέσεις εφαρμόζουν σωστά. Η χρήση ενός συστήματος αναρρόφησης - συλλογής της σκόνης μπορεί να μειώσει τον κίνδυνο που προκαλείται από τη σκόνη.

#### 4) Ορθότητα χειρισμού και συντήρηση ηλεκτρικών εργαλείων

α) Μην υπερφορτώνετε το εργαλείο. Χρησιμοποιείτε το ανάλογο ηλεκτρικό εργαλείο που προορίζεται για την εκτέλεση της εκάστοτε εργασίας. Με το εργαλείο αυτό θα μπορείτε να εργάζεστε καλύτερα και ασφαλέστερα εντός του επιπέδου ικανοτήτων και απόδοσής του.

β) Μη χρησιμοποιήσετε ποτέ ένα εργαλείο που έχει διακόπτη ο οποίος δεν λειτουργεί σωστά. Ένα ηλεκτρικό εργαλείο το οποίο δεν μπορείτε πλέον να ενεργοποιήσετε ή/και να απενεργοποιήσετε είναι επικίνδυνο και πρέπει να παραδοθεί προς επισκευή.

γ) Αποσυνδέστε το φως τροφοδοσίας από την πρίζα και/ή αποσυνδέστε την μπαταρία πριν εκτελέσετε στο εργαλείο οποιαδήποτε εργασία ρύθμισης, πριν αντικαταστήσετε ένα εξάρτημα ή όταν πρόκειται να αποθηκεύσετε το εργαλείο. Αυτά τα μέτρα πρόληψης μειώνουν τον κίνδυνο από τυχόν ακούσια εκκίνηση του ηλεκτρικού εργαλείου.

δ) Αποθηκεύστε τα ηλεκτρικά εργαλεία όταν δεν πρόκειται να χρησιμοποιηθούν σε μη προσβάσιμο σημείο από τα παιδιά. Δεν επιτρέπεται η χρήση του εργαλείου από άτομα που δεν έχουν εξοικειωθεί με την χρήση του ή δεν έχουν διαβάσει τις οδηγίες του εγχειριδίου του. Τα ηλεκτρικά εργαλεία είναι επικίνδυνα όταν χρησιμοποιούνται από άτομα που δεν έχουν εμπειρία χρήσης στα συγκεκριμένα εργαλεία και στις λειτουργίες τους.

ε) Χειριστείτε προσεκτικά το ηλεκτρικό εργαλείο. Ελέγχετε, αν τα κινούμενα τμήματα λειτουργούν σωστά, αν υπάρχει κάποιο μπλοκάρισμα, ή αν έχουν σπάσει σε κάποιο σημείο ή φθαρεί εξαρτήματα τα οποία ενδέχεται να επηρεάσουν την λειτουργία του ηλεκτρικού εργαλείου. Παραδώστε το εργαλείο για επισκευή πριν το επαναχρησιμοποιήσετε. Η λανθασμένη ή μερική συντήρηση των ηλεκτρικών εργαλείων αποτελεί αιτία πολλών ατυχημάτων.

στ) Διατηρείτε τα εργαλεία κοπής αιχμηρά και σε καλή κατάσταση. Τα επαρκώς συντηρημένα κοπτικά εργαλεία είναι πιο δύσκολο να μπλοκαρισθούν και έχουν μεγαλύτερη ακρίβεια.

ζ) Χρησιμοποιείτε όλα τα τμήματα του εξοπλισμού και το ίδιο το εργαλείο σύμφωνα με τις οδηγίες του εγχειριδίου.

Λαμβάνετε επίσης υπόψη σας τους εξωτερικούς παράγοντες και τις συνθήκες της εκάστοτε εργασίας.

Η χρήση των ηλεκτρικών εργαλείων για εργασίες άλλες από τις προβλεπόμενες μπορεί να δημιουργήσει επικίνδυνες καταστάσεις.

#### 5) Service

α) Παραδώστε το ηλεκτρικό εργαλείο για επισκευή σε ένα εξουσιοδοτημένο τμήμα Service επιλέγοντας γνήσια ανταλλακτικά.

Έτσι εξασφαλίζετε τη διατήρηση της ασφάλειας του εργαλείου.

\*Ο κατασκευαστής διατηρεί το δικαίωμα να πραγματοποιήσει δευτερεύουσες αλλαγές στο σχεδιασμό του προϊόντος και στα τεχνικά χαρακτηριστικά χωρίς προηγούμενη ειδοποίηση, εκτός εάν οι αλλαγές αυτές επηρεάζουν σημαντικά την απόδοση και λειτουργία ασφάλειας των προϊόντων. Τα εξαρτήματα που περιγράφονται / απεικονίζονται στις σελίδες του εγχειριδίου που κρατάτε στα χέρια σας ενδέχεται να αφορούν και σε άλλα μοντέλα της σειράς προϊόντων του κατασκευαστή, με παρόμοια χαρακτηριστικά, και ενδέχεται να μην περιλαμβάνονται στο προϊόν που μόλις αποκτήσατε.

\* Για να διασφαλιστεί η ασφάλεια και η αξιοπιστία του προϊόντος καθώς και η ισχύς της εγγύησης όλες οι εργασίες επιδιόρθωσης, ελέγχου, επισκευής ή αντικατάστασης συμπεριλαμβανομένης της συντήρησης και των ειδικών ρυθμίσεων, πρέπει να εκτελούνται μόνο από τεχνικούς του εξουσιοδοτημένου τμήματος Service του κατασκευαστή.

\* Χρησιμοποιείτε πάντα το προϊόν με τον παρεχόμενο εξοπλισμό. Η λειτουργία του προϊόντος με μη-προβλεπόμενο εξοπλισμό ενδέχεται να προκαλέσει βλάβη ή ακόμα και σοβαρό τραυματισμό ή θάνατο. Ο κατασκευαστής και ο εισαγωγέας ουδέμια ευθύνη φέρει για τραυματισμούς και βλάβες που προκύπτουν από την χρήση μη προβλεπόμενου εξοπλισμού.

## Ειδικές Συμβουλές Ασφαλείας

Φοράτε ακουστικά προστασίας της ακοής ή ωτασπίδες όταν χρησιμοποιείτε ηλεκτρικά δράπανα. Η έκθεση σε μεγάλα επίπεδα θορύβου μπορεί να οδηγήσει σε απώλεια της ακοής.

Χρησιμοποιείτε πάντοτε τις δευτερεύουσες βοηθητικές χειρολαβές που συνοδεύουν το ηλεκτρικό εργαλείο. Είναι πολύ βασικό να γνωρίζεται ότι η απώλεια του ελέγχου του ηλεκτρικού εργαλείου μπορεί να οδηγήσει σε τραυματισμό.

Χρησιμοποιείτε έναν κατάλληλο ανιχνευτή για να εντοπίσετε τυχόν μη ορατές καλωδιώσεις ή συμβουλευτείτε τη τοπική επιχείρηση παροχής ενέργειας για περισσότερες πληροφορίες.

Η επαφή με καλώδια μεταφοράς ηλεκτρικού ρεύματος μπορεί να οδηγήσει σε πυρκαγιά και ηλεκτροπληξία.

Η πρόκληση φθοράς σε αγωγούς παροχής αερίου (γκαζιού) μπορεί να προκαλέσει έκρηξη. Η αθέλητη διάτρηση σωληνώσεων ύδρευσης μπορεί να προκαλέσει υλικές ζημιές.

Διακόψτε αμέσως τη λειτουργία του ηλεκτρικού εργαλείου σε περίπτωση μπλοκαρίσματος. Να είστε πάντοτε σε ετοιμότητα ώστε να είστε σε θέση να αντιμετωπίσετε τις υψηλές ροπές και τις αντιδράσεις που μπορεί να προκαλέσουν κλότσημα. Το εργαλείο μπορεί να μπλοκαριστεί όταν:

- το ηλεκτρικό εργαλείο υπερφορτώνεται ή
- το κοπτικό εργαλείο παγιδευτεί μέσα στο υπό κατεργασία τεμάχιο.

Κρατάτε το ηλεκτρικό εργαλείο μόνο από τις ειδικά μονωμένες επιφάνειές του, όταν εκτελείτε εργασίες στις οποίες υπάρχει κίνδυνος το εργαλείο που χρησιμοποιείτε να έρθει σε επαφή με ηλεκτροφόρα καλώδια ή το καλώδιο τροφοδοσίας του. Η επαφή μ' ένα ηλεκτροφόρο καλώδιο μεταφέρει τον ηλεκτρισμό στα αγώγιμα μεταλλικά τμήματα του ηλεκτρικού εργαλείου και οδηγεί έτσι σε ηλεκτροπληξία.

Κατά την εκτέλεση της εργασίας κρατάτε το ηλεκτρικό εργαλείο καλά και με τα δυο σας χέρια και επιλέξτε μια σωστή στάση σώματος. Μπορείτε να χειριστείτε με μεγαλύτερη ασφάλεια το ηλεκτρικό εργαλείο όταν το κρατάτε και με τα δυο σας χέρια.

Σταθεροποιήστε καλά το τεμάχιο κατεργασίας. Τα τεμάχια κατεργασίας μπορούν να σταθεροποιηθούν με μεγαλύτερη ασφάλεια με την χρήση μέσων σύσφιξης ή με μια μέγνη σε αντίθεση με την ικανότητα συγκράτησης του χεριού σας.

Διατηρείτε πάντα καθαρό το χώρο εργασίας. Τα υπολείμματα ορισμένων υλικών, εφόσον ενωθούν είναι ιδιαίτερος επικίνδυνα. Η σκόνη που προέρχεται από την λείανση ελαφρών μετάλλων ενδέχεται να αναφλεχθεί ή να εκραγεί.

Πριν αφήσετε το ηλεκτρικό εργαλείο σε κάποια επιφάνεια περιμένετε πρώτα να σταματήσει εντελώς να κινείται. Το τοποθετημένο εργαλείο μπορεί να εμπλακεί με την επιφάνεια ή με κάποιο άλλο αντικείμενο και να οδηγήσει στην απώλεια του ελέγχου του εργαλείου.

Μη χρησιμοποιήσετε το ηλεκτρικό εργαλείο σε περίπτωση που το καλώδιο τροφοδοσίας του είναι χαλασμένο. Μην ακουμπήσετε το χαλασμένο καλώδιο, αποσυνδέστε το φιν τροφοδοσίας από την πρίζα σε περίπτωση που το καλώδιο υποστεί βλάβη/χαλάσει κατά τη διάρκεια της εργασίας σας. Τα καλώδια που έχουν υποστεί κάποια βλάβη αυξάνουν τον κίνδυνο ηλεκτροπληξίας.

## Προβλεπόμενη χρήση

Το μηχάνημα προορίζεται για την διάτρηση ξύλινων, μεταλλικών και πλαστικών επιφανειών.

Τα εργαλεία με ηλεκτρονική σκανδάλη και έλεγχο της κατεύθυνσης περιστροφής είναι επίσης κατάλληλα για βίδωμα και ξεβίδωμα καθώς και για την διαμόρφωση σπειρωμάτων.

Τα εργαλεία που είναι εξοπλισμένα με μηχανισμό κρούσης είναι κατάλληλα για την διάτρηση τούβλου, σκυροδέματος και πέτρας.

## Περιγραφή τμημάτων και εξαρτημάτων

Η ακόλουθη αρίθμηση αναφέρεται στην απεικόνιση του εργαλείου που θα βρείτε στην σελίδα 2.	
1	Ταχυτσόκ (Αυτόματο τσόκ) *
2	Διακόπτης ON/OFF
3	Δακτύλιος προεπιλογής ταχύτητας περιστροφής*
4	Πλήκτρο κλειδώματος διακόπτη ON/OFF (συνεχούς λειτουργίας)
5	Διακόπτης αλλαγής κατεύθυνσης περιστροφής
6	Διακόπτης ενεργοποίησης/απενεργοποίησης λειτουργίας κρούσης*
7	Βοηθητική - Δευτερεύουσα χειρολαβή*
8	Στοπ βάθους διάτρησης*
9	Επιλογέας ταχύτητας κιβωτίου ταχυτήτων*
10	Τσόκ με κλειδί*
11	Κλειδί σύσφιξης του τσόκ*

\*Τα εξαρτήματα που απεικονίζονται ή περιγράφονται ενδέχεται να μην αποτελούν μέρος της συγκεκριμένης έκδοσης.



## Τεχνικά Χαρακτηριστικά

Μοντέλο	BID4500	BID6500	BID9200	BID1300
Όνομ.Τάση:	230V / 120V	230V	230V	230V
Όνομ.Συχνότητα:	50Hz / 60Hz	50Hz	50Hz	50Hz
Ισχύς εισόδου:	400w	650w	920w	1200w
Ταχύτητα χωρίς φορτίο:	0-4200rpm	0-2850rpm	0-3000rpm	0-1200rpm / 0-3000rpm
Τύπος τσόκ:	Αυτόματο 10mm	Αυτόματο 13mm	Αυτόματο 13mm	Αυτόματο 13mm

### Ηλεκτρική Ασφάλεια

Ο ηλεκτροκινητήρας έχει σχεδιαστεί μόνο για μια συγκεκριμένη τάση. Ελέγχετε πάντα εάν η τροφοδοσία ρεύματος αντιστοιχεί έχει την ανάλογη τάση όπως αναγράφεται στην πινακίδα τεχνικών χαρακτηριστικών του εργαλείου.

### Οδηγίες Συναρμολόγησης - Βασικές Ρυθμίσεις



Διαβάστε τις οδηγίες του εγχειριδίου προτού χρησιμοποιήσετε το ηλεκτρικό εργαλείο.

#### Δευτερεύουσα - βοηθητική χειρολαβή (δεν περιλαμβάνεται σε όλα τα μοντέλα)

Χρησιμοποιήστε το ηλεκτρικό σας εργαλείο μόνο με τη βοηθητική χειρολαβή.

Η βοηθητική χειρολαβή μπορεί να ρυθμιστεί σε οποιαδήποτε θέση έτσι ώστε να εκτελεστεί η εργασία εύκολα και με ασφάλεια.

Περιστρέψτε τη λαβή ή τον αντίστοιχο σφιγκτήρα αριστερόστροφα για να την ξεσφίξετε και έπειτα ρυθμίστε την στην επιθυμητή θέση. Στη συνέχεια, σφίξτε τη χειρολαβή ή τον σφιγκτήρα γυρίζοντας την/τον δεξιόστροφα.



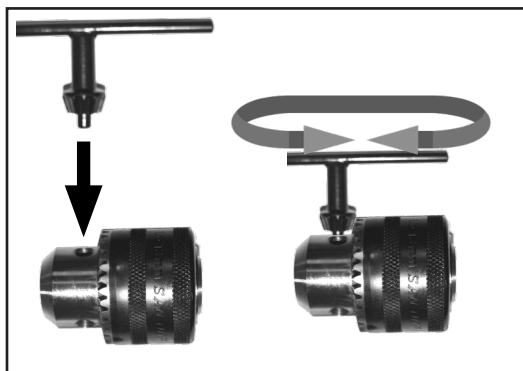
#### Ρύθμιση του βάθους διάτρησης (δεν διατίθεται σε όλα τα μοντέλα)

Το απαιτούμενο βάθος διάτρησης μπορεί να ρυθμιστεί χρησιμοποιώντας το στοπ βάθους διάτρησης.

Γυρίστε τη χειρολαβή αριστερόστροφα, για να την ξεσφίξετε ή πιέστε το κουμπί και έπειτα εισαγάγετε την ράβδο στην χειρολαβή.

Τραβήξτε προς τα έξω την ράβδο έως ότου η απόσταση μεταξύ του άκρου του τρυπανιού και του άκρου της ράβδου να αντιστοιχεί στο επιθυμητό βάθος διάτρησης.

Σφίξτε τη λαβή ή απελευθερώστε το κουμπί για να ασφαλίσετε το στοπ βάθους διάτρησης στην προεπιλεγμένη θέση.



#### Τσόκ με κλειδί (δεν διατίθεται σε όλα μοντέλα)

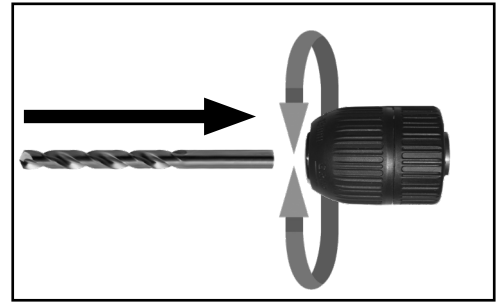
Ανοίξτε το τσόκ στρέφοντας το αριστερόστροφα μέχρι να εισαχθεί το εργαλείο. Τοποθετήστε το εργαλείο. Εισαγάγετε το κλειδί του τσόκ στις αντίστοιχες οπές του τσόκ και σφίξτε το τσόκ ομοιόμορφα.

#### Αντικατάσταση του τσόκ

- Χειριστείτε προσεκτικά τα εργαλεία που δεν διαθέτουν σύστημα κλειδώματος του άξονα. Πριν τη συναρμολόγηση ή την αποσυναρμολόγηση αποσυνδέστε πάντα το φιν τροφοδοσίας από την πρίζα. Το τσόκ πρέπει να αντικαθίσταται από ένα εξουσιοδοτημένο κέντρο σέρβις.

### Αυτόματο τσόκ

Ξεσφίξτε το τσόκ στρέφοντας το αριστερόστροφα μέχρι να μπορέσετε να τοποθετήσετε το εργαλείο. Στη συνέχεια, σφίξτε το τσόκ δεξιόστροφα μέχρι το σημείο στο οποίο το εργαλείο σταθεροποιείται καλά.



### Προειδοποιήσεις προστασίας από την σκόνη και τα ρινίσματα

Οι σκόνες από υλικά που εμπεριέχονται σε κάποιες επιστρώσεις που περιέχουν μόλυβδο, σε ορισμένους τύπους ξύλου, ορυκτά και μερικούς τύπους μετάλλων μπορεί να είναι επιβλαβείς για την υγεία. Η επαφή ή η εισπνοή σκόνης μπορεί να προκαλέσει αλλεργικές αντιδράσεις και / ή να οδηγήσει σε αναπνευστικές λοιμώξεις του χειριστή ή των παρευρισκομένων. Ορισμένες σκόνες, όπως η σκόνη της δρυός ή της οξιάς, θεωρούνται καρκινογόνες, ειδικά όταν έχουν εμπλουτιστεί με πρόσθετα ή έχουν υποστεί κατεργασία (χρωμικό, συντηρητικά ξύλου). Τα υλικά που περιέχουν αμιάντο επιτρέπεται να χρησιμοποιούνται μόνο από εξειδικευμένους χειριστές.

Εξασφαλίστε καλό εξαερισμό στο χώρο εργασίας.

Συνιστάται να φοράτε κατάλληλη μάσκα κατά της σκόνης με ειδικό φίλτρο.

Τηρείτε τους σχετικούς κανονισμούς της χώρας σας για τα υλικά που πρόκειται να επεξεργαστούν.

- Αποφύγετε τη συσσώρευση σκόνης στο χώρο εργασίας. Να είστε προσεκτικοί και πάντα να έχετε κατά νου ότι οι σκόνες μπορούν εύκολα να αναφλεγούν.

### Οδηγίες Λειτουργίας

Τηρείτε πάντα τις οδηγίες ασφαλείας και τους ισχύοντες κανονισμούς.

Ελέγξτε και βεβαιωθείτε ότι η τάση του δικτύου είναι κατάλληλη για την λειτουργία του εργαλείου!

Η τάση του δικτύου πρέπει να συμφωνεί με την τάση που καθορίζεται στην πινακίδα τεχνικών χαρακτηριστικών του μηχανήματος / ηλεκτρικού εργαλείου.

### Επιλέγοντας την κατεύθυνση περιστροφής

Ο διακόπτης κατεύθυνσης περιστροφής χρησιμοποιείται για να αντιστρέψει την κατεύθυνση περιστροφής του ηλεκτρικού εργαλείου.

Βεβαιωθείτε ότι δεν χρησιμοποιείτε τον διακόπτη κατεύθυνσης περιστροφής ταυτόχρονα με τον διακόπτη ενεργοποίησης / απενεργοποίησης.

**Δεξιά περιστροφή:** Για διάτρηση και βίδωμα.

**Αριστερή περιστροφή:** Για να χαλαρώσετε και να ξεβιδώσετε τις βίδες και τα παξιμάδια.

### Ενεργοποίηση / απενεργοποίηση (ON - OFF)

- Για να ενεργοποιήσετε το ηλεκτρικό εργαλείο, πιέστε και κρατήστε πατημένο το διακόπτη ON / OFF.

Για να ασφαλίσετε τον ενεργοποιημένο διακόπτη ON/ OFF επιλέγοντας συνεχή λειτουργία, πατήστε το κουμπί ασφάλισης του διακόπτη.

- Για να απενεργοποιήσετε το ηλεκτρικό εργαλείο, απελευθερώστε το διακόπτη ON / OFF ή σε περίπτωση που έχετε ασφαλίσει τον διακόπτη σε συνεχή λειτουργία, πιέστε απότομα το διακόπτη ON / OFF και στη συνέχεια απελευθερώστε τον.

### Λειτουργία Κρούσης (δεν διατίθεται σε όλα τα μοντέλα)

Ρυθμίστε το διακόπτη επιλογής στη θέση διάτρησης (σύμβολο σφυριού).

### Ρύθμιση της συχνότητας ταχύτητας / πρόσκρουσης

Η ταχύτητα και η συχνότητα των κρούσεων μπορεί να ρυθμιστεί μεταβλητά, ανάλογα με τον βαθμό που πιέζεται ο διακόπτης ON / OFF.

Η ελαφριά πίεση στον διακόπτη ON / OFF θα δώσει χαμηλή ταχύτητα / κρούση. Η περαιτέρω πίεση στον διακόπτη θα αυξήσει την ταχύτητα και τον βαθμό κρούσεων.

### Προεπιλογή της ταχύτητας / συχνότητας κρούσεων (δεν διατίθεται σε όλα τα μοντέλα)

Ο επιλογέας του μηχανισμού μπορεί να χρησιμοποιηθεί για την προεπιλογή της ταχύτητας του ηλεκτρικού εργαλείου.

Η απαιτούμενη ταχύτητα / συχνότητα κρούσεων μπορεί να επιλεγεί ακόμα και κατά τη διάρκεια της λειτουργίας του εργαλείου.

Η κατάλληλη ταχύτητα / συχνότητας κρούσεων εξαρτάται από τον τύπο του υλικού κατεργασίας και τις συνθήκες εργασίας

και μπορεί να προσδιοριστεί μόνο με πρακτικές δοκιμές.

#### Επιλογή ταχύτητας του κιβωτίου ταχυτήτων (δεν διατίθεται σε όλα τα μοντέλα)

Χρησιμοποιήστε το επιλογέα ταχυτήτων για να επιλέξετε ανάμεσα σε δύο ταχύτητες.

**Ταχύτητα I:** Χαμηλή ταχύτητα. Για εργασίες με εργαλεία διάτρησης μεγάλης διαμέτρου ή για το βίδωμα κοχλιών.

**Ταχύτητα II:** Υψηλή ταχύτητα. Για εργασίες με εργαλεία διάτρησης μικρής διαμέτρου.

Στρέψτε πάντα το επιλογέα ταχυτήτων προς την κατεύθυνση του βέλους. Εάν το γρανάζι του κιβωτίου δεν μπορεί να εμπλακεί επιτυχώς, περιστρέψτε τον άξονα κίνησης με το τρυπάνι στρέφοντας ελαφρά το τσόκ.



### Συντήρηση

Το ηλεκτρικό εργαλείο της Bormann έχει σχεδιαστεί για να λειτουργεί για μεγάλο χρονικό διάστημα χωρίς να απαιτείται εντατική συντήρηση.

#### Λίπανση

Το ηλεκτρικό σας εργαλείο δεν απαιτεί πρόσθετη λίπανση για την λειτουργία του.

#### Καθαρισμός

Διατηρήστε τις σπές αερισμού - ψύξης καθαρές και καθαρίστε τακτικά το περίβλημα χρησιμοποιώντας ένα μαλακό πανί.

### Απόρριψη - Ανακύκλωση

Το ηλεκτρικό εργαλείο, καθώς και τα εξαρτήματα και η συσκευασία του πρέπει να απορρίπτονται με φιλικό προς το περιβάλλον τρόπο για ανακύκλωση.



#### Μόνο για τις χώρες της ΕΕ:

Μην απορρίπτεται τα ηλεκτρικά εργαλεία μαζί με τα οικιακά απορρίμματα!

Σύμφωνα με την Ευρωπαϊκή Οδηγία 2002/96/ΕΚ για τα Απόβλητα Ηλεκτρικού και Ηλεκτρονικού Εξοπλισμού και την εφαρμογή της στο εθνικό δίκαιο, τα ηλεκτρικά εργαλεία που δεν είναι πλέον χρησιμοποιήσιμα πρέπει να συλλέγονται ξεχωριστά και να απορρίπτονται με περιβαλλοντικά ορθό τρόπο.

## Пиктограми - предупредителни етикети



Двойна  
изолация



Носете предпазни  
очила оборудване



Важна информация



Предупреждение!



Носете защита на ушите  
оборудване



Носете маска за прах



За да намалите риска от нараняване, моля, прочетете  
следните инструкции.

## Общи правила за безопасност



**ПРЕДУПРЕЖДЕНИЕ!** Прочетете всички инструкции, неспазването на всички инструкции, изброени по-долу, може да доведе до токов удар, пожар и/или сериозно нараняване. Терминът "електроинструмент" във всички изброени по-долу предупреждения се отнася до вашия електроинструмент, работещ от мрежата (с кабел), или електроинструмент, работещ с батерия (с акумулатор).



**МОЛЯ, СЪХРАНЯВАЙТЕ РЪКОВОДСТВОТО ЗА ЕКСПЛОАТАЦИЯ НА СИГУРНО МЯСТО**

### Безопасност на работното място

- Моля, поддържайте работната зона чиста и добре осветена. Тъмните или затрупани места могат да доведат до инциденти.
- Не работете с електроинструменти във взривоопасна атмосфера, например в присъствието на запалими течности или изпарения, газове или прах. Електрическите инструменти могат да предизвикат искри, които да възпламенят газовете или изпаренията.
- Моля, дръжте децата и околните на безопасно разстояние, докато работите с електроинструмента.

### Електрическа безопасност

- Уверете се, че щепселите на електроинструментите съответстват на контакта. Никога не модифицирайте щепсела по какъвто и да е начин. Не използвайте адаптерни щепсели със заземени електроинструменти. Използването на немодифицирани щепсели и съответстващи контакти ще намали риска от токов удар и други наранявания.
- Избягвайте контакт на тялото със заземени материали или предмети, като например радиатори, тръби, печки и хладилници. Съществува огромен риск от токов удар, ако тялото ви е заземено или заземено.
- Не излагайте електроинструментите на дъжд или други влажни условия. Навлизането на вода в електроинструмента може да увеличи риска от токов удар.
- Не злоупотребявайте със захранващия кабел. Никога не използвайте кабела за пренасяне, дърпане или изключване на електрическия инструмент. Съхранявайте кабела на безопасно разстояние от топлина, масло, остри ръбове и всякакви движещи се части. Повредените или заплетени шнурове ще увеличат риска от токов удар.
- Когато работите с електрически инструмент на открито, използвайте удължител с подходящи спецификации за използване на открито. Използването на удължител, подходящ за употреба на открито, намалява риска от токов удар.
- Ако не може да се избегне работа с електроинструмент на влажно място, използвайте захранване, защитено от устройство за защита от остатъчен ток (RCD). Използването на RCD намалява риска от токов удар.

### Лична безопасност

- Бъдете нащрек, внимавайте какво правите и използвайте здрав разум, когато работите с електроинструмент. Не използвайте електроинструмент, докато се чувствате уморени или сте под въздействието на алкохол, наркотици или лекарства. Момент на невнимание по време на работа с електроинструмент може да доведе до сериозно нараняване.
- Моля, използвайте лични предпазни средства. Винаги носете предпазни очила. Защитното оборудване, като например маска за прах или защита на слуха, нехлъзгащи се предпазни обувки или защитни каски, използвани при подходящи условия, ще намалят личните наранявания.
- Предотвратяване на непреднамерено стартиране. Уверете се, че превключвателят на захранването е в изключено положение, преди да свържете към източника на захранване и/или акумулаторната батерия, да вдигнете или пренесете електроинструмента. Пренасянето на електроинструменти с пръст върху превключвателя на захранването или включването на електроинструменти, които са с превключвател във включено положение, приканва към злополуки.
- Преди да включите електроинструмента, извадете всички регулиращи ключове или гаечни ключове. Инструмент, оставен прикрепен към въртяща се част на електроинструмента, може да доведе до нараняване на хора.
- Не прекалявайте. Поддържайте равновесие и правилна стойка през цялото време. Това помага за по-добър контрол върху електроинструмента в неочаквани ситуации.
- Облечете се подходящо. Не носете свободни дрехи или бижута. Дръжте косата, дрехите и ръкавиците си далеч от движещите се части. Свободните дрехи, бижутата и/или дългата коса могат да бъдат захванати от движещите се части.

### Използване на електрически инструменти и грижи

- Моля, не използвайте сила в електроинструмента. Използвайте подходящия електроинструмент за всяко приложение. Правилният електроинструмент винаги ще да върши работата си по-добре и по-безопасно, когато се използва със скоростта, за която е проектиран.



b) Не използвайте електроинструмента, ако превключвателят не го активира или деактивира. Всеки електроинструмент, който не може да се управлява с превключвателя, е изключително опасен и трябва да се ремонтира.

c) Преди да сменяте аксесоари, да извършвате каквито и да било настройки или да съхранявате електроинструменти, изключете главния щепсел от източника на захранване и/или акумулаторната батерия от електроинструмента. Тези превантивни мерки за безопасност ще намалят риска от случайно стартиране на електроинструмента.

d) Съхранявайте неработещите електроинструменти на място, недостъпно за деца, и не позволявайте на лица, които не са запознати с електроинструмента или с тези инструкции, да използват и работят с него.

Електрическите инструменти са изключително опасни в ръцете на необучени потребители.

e) Поддържане на електрически инструменти. Проверявайте за несъсност или обвързване на движещите се части, счупване на части, течове и всякакви други условия, които могат да повлияят на работата на електроинструмента. Ако е повреден, поправете електроинструмента преди да го използвате. Много злополуки и наранявания са причинени от лошо поддържани електрически инструменти.

f) Поддържайте всички режещи инструменти остри и чисти. Правилно поддържаните режещи инструменти с остри режещи ръбове е по-малко вероятно да се заклеят и са по-прецизни и по-лесни за управление.

g) Винаги използвайте електроинструмента, аксесоарите, крайниците и др. в съответствие с инструкциите в това ръководство за експлоатация, като се съобразявате с условията на работа и извършваната работа.

Използването на електроинструмента за приложения, различни от предвидените, може да доведе до опасна ситуация.

### Услуга

a) Възложете сервизното обслужване на електроинструмента на квалифициран сервизен техник, като използвате само идентични резервни части. Това ще гарантира, че безопасността на електроинструмента е запазена.

### Предупреждения за безопасност, специфични за машината

Винаги носете защитата на слуха, когато използвате ударни бормашини или други подобни електроинструменти. Влиянието на шума може да доведе до загуба на слуха.

Винаги използвайте спомагателната дръжка, доставена с електроинструмента/машината. Загубата на контрол може да доведе до телесни наранявания.

Използвайте подходящи детектори, за да определите дали в работната зона има скрити комунални линии, или се обадете на местната компания за комунални услуги за съдействие. Контактът с електрически линии може да доведе до пожар и/или токов удар. Повреждането на газопровод може да доведе до експлозия. Проникването във водопроводна тръба може да доведе до материални щети или дори до токов удар.

Не забравяйте да изключите електроинструмента незабавно, когато битовите на електроинструмента заседнат.

Бъдете подготвени за висок въртящ момент на реакцията, който може да предизвика откат.

Битото на инструмента се задръства, когато:

a) електроинструментът е подложен на претоварване или

b) се заклежда в обработвания детайл.

Дръжте електроинструмента само за изолираните повърхности за захващане, когато извършвате операция, при която режещият инструмент може да влезе в контакт със скрити кабели или със собствения си захранващ кабел. Контактът с проводник "под напрежение" също ще направи всички открити метални части на електроинструмента "под напрежение" и ще доведе до токов удар за оператора.

Когато работите с електроинструмента, винаги го дръжте здраво с двете си ръце и осигурете сигурна стойка.

Електроинструментът се контролира по-ефективно с двете ръце.

Закрепете обработвания детайл. Детайл, захванат със скоба или с приспособления за захващане, се държи по-сигурно, отколкото с ръка. Поддържайте работното си място чисто. Смесите от материали са изключително опасни. Прахът от леките сплави може да изгори или да се възпламени.

Проверявайте за повреди по инструмента, както и по всички части или принадлежности, които може да са възникнали по време на транспортирането.

Отделете време, за да прочетете внимателно и да се запознаете с това ръководство преди да започнете работа.

### Предназначение

Машината е предназначена за пробиване в дървени, метални и пластмасови повърхности.

Машините с електронно управление и дясно/ляво въртене са подходящи и за завинтване и рязане на резби.

Машините с ударна функция са подходящи за пробиване в тухли, бетон и камък.

\* Производителят си запазва правото да прави незначителни промени в дизайна и техническите спецификации на продуктите без предварително уведомление, освен ако тези промени не засягат значително работата и безопасността на продуктите. Частите, описани/илюстрирани на страниците на ръководството, което държите в ръцете си, може да се отнасят и за други модели от продуктова линия на производителя с подобни характеристики и може да не са включени в току-що придобития от вас продукт.

\* За да се гарантира безопасността и надеждността на продукта, както и валидността на гаранцията, всички дейности по ремонт, проверка, поправка или замяна, включително поддръжка и специални настройки, трябва да се извършват само от техници от оторизирания сервизен отдел на производителя.

\* Винаги използвайте продукта с доставеното оборудване. Работата на продукта с неосигурено оборудване може да доведе до неизправности или дори до сериозни наранявания или смърт. Производителят и вносителят не носят отговорност за наранявания и щети, възникнали в резултат на използването на несъответстващо на изискванията оборудване.

## Функционално описание и спецификации

Следващата номерация се отнася до илюстрацията на машината, посочена на страница 2.

1	Безключов патронник*
2	Превключвател за включване/изключване
3	Предварително избиране на скоростта Палецът*
4	Бутон за заключване
5	Превключвател на посоката на въртене
6	Превключвател за избор на функция за ударно пробиване / пробиване*
7	Спомагателна дръжка*
8	Ограничител на дълбочината*
9	Превключвател за избор на предавка*
10	Ключов патронник*
11	Ключ за патронник*



\* Илюстрираните или описани аксесоари не са включени в стандартната доставка.

## Технически данни

Модел	BID4500	BID6500	BID9200	BID1300
Номинално напрежение:	230V / 120V	230V	230V	230V
Номинална честота:	50Hz / 60Hz	50Hz	50Hz	50Hz
Входяща мощност:	400w	650w	920w	1200w
Скорост без натоварване:	0-4200 об/мин	0-2850 об/мин	0-3000 об/мин	0-1200 об/мин 0-3000 об/мин
Тип патронник:	Безключов 10 мм	Безключов 13 мм	Безключов 13 мм	Безключов 13 мм

## Електрическа безопасност

Електрическият двигател е проектиран само за определено напрежение. Винаги проверявайте дали захранването съответства на напрежението, изписано на табелката с номиналните стойности.

## Инструкции за сглобяване - основни настройки



Преди да използвате инструмента, прочетете всички инструкции.

### Спомагателна дръжка (не се предлага при всички модели)

Работете с машината само със спомагателната дръжка.

Помощната дръжка може да се настрои във всякаква позиция за сигурна и удобна работна поза. Завъртете дръжката (или скобата) в посока, обратна на часовниковата стрелка, за да я регулирате и настроите в необходимото положение. След това затегнете дръжката, като я завъртите (или скобата) по посока на часовниковата стрелка, или натиснете съответния бутон и го освободете след приключване на регулирането.



### Регулиране на дълбочината на пробиване (не се предлага при всички модели)

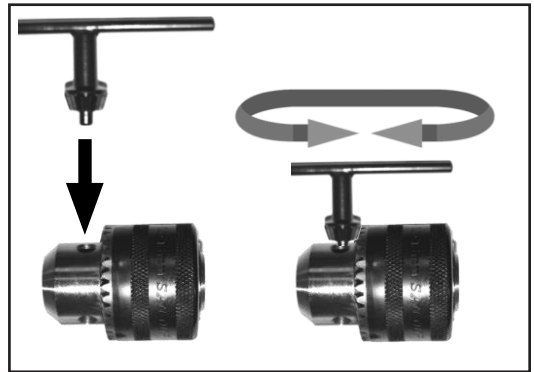
Необходимата дълбочина на пробиване може да се зададе с помощта на ограничителя на дълбочината.

Завъртете дръжката в посока, обратна на часовниковата стрелка (или натиснете бутона), за да я разтегнете и да поставите ограничителя на дълбочината в спомагателната дръжка. Издърпайте ограничителя на дълбочината, докато разстоянието между върха на свредлото и върха на ограничителя на дълбочината съответства на желаната дълбочина на пробиване.



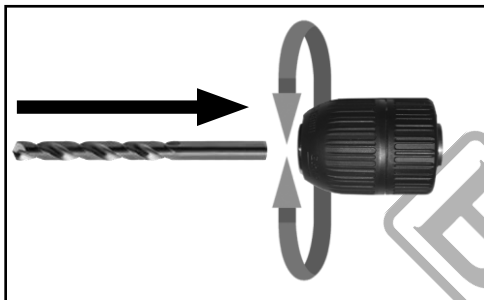
Затегнете дръжката, за да застопорите ограничителя на дълбочината в предварително избраната позиция (или освободете бутона).

**Ключов патронник за пробиване (не се предлага при всички модели)**  
Отворете патронника на свредлото с ключ, като го завъртите обратно на часовниковата стрелка, докато инструментът може да се постави. Поставете инструмента. Поставете ключа на патронника в съответните отвори на патронника за свредла с ключ и затегнете патронника равномерно.



**Смяна на патронника на бормашината**

- За машини без блокировка на шпиндела, моля, боравете внимателно с електроинструмента. Преди сглобяване или разглобяване винаги изключвайте инструмента от електрическата мрежа. Часовникът трябва да бъде сменен чрез оторизиран сервизен център.



**Безключов патронник за бормашина**

Разхлабете патронника, като го завъртите в посока, обратна на часовниковата стрелка, докато инструментът може да бъде поставен. Накрая затегнете патронника по посока на часовниковата стрелка до точката, в която инструментът се държи стабилно.

**Предпазни мерки за извличане на прах/чипове**

Прахът от материали, като например съдържащи олово покрития, някои видове дървесина, минерали и някои видове метали, може да бъде вреден за здравето. Докосването или вдишването на праха може да предизвика алергични реакции и/или да доведе до респираторни инфекции на потребителя или на околните.

Някои прахове, като дъбов или буков, се считат за канцерогенни, особено във връзка с добавки за обработка на дървесина (хромат, консервант за дървесина). Материали, съдържащи азбест, могат да се обработват само от специалисти.

Осигурете добра вентилация на работното място.

Препоръчително е да се носи подходящ респиратор с филтър.

Спазвайте съответните разпоредби във вашата страна за обработваните материали.

- Предотвратете натрупването на прах на работното място. Бъдете внимателни и винаги имайте предвид, че прахът може лесно да се възпламени.

**Инструкции за експлоатация**

Винаги спазвайте инструкциите за безопасност и всички приложими разпоредби.

Спазвайте и се уверете в правилното мрежово напрежение!

Напрежението на източника на захранване трябва да съвпада с напрежението, посочено на табелката на машината/инструмента.

**Избор на посока на въртене**

Превключвателят за посоката на въртене се използва за обръщане на посоката на въртене на електроинструмента.

Внимавайте да не използвате превключвателя за посоката на въртене при задействан превключвател за включване/изключване.

**Десен ротационен принцип:** За пробиване и завинтване на винтове.

**Ляво завъртане:** За разхлабване и отвиване на винтове и гайки.

**Превключване на ON и OFF**

- За да стартирате електроинструмента, натиснете превключвателя за включване/изключване и го задръжте натиснат. За да заключите натиснатия превключвател за включване/изключване, натиснете бутона за заключване.

- За да изключите машината, освободете превключвателя за включване/изключване или когато е заключен с бутона за включване, бързо натиснете бутона за включване/изключване и след това го отпуснете.

**Ударно пробиване (не се предлага при всички модели)**

Превключете селекторния превключвател в положение за ударно пробиване (символ на чук).

**Регулиране на скоростта/честотата на удара**

Скоростта/ степента на удара може да се регулира в зависимост от степента на натискане на превключвателя за включване/изключване.

Лекото натискане на превключвателя за включване/изключване ще доведе до ниска скорост/ степен на удара.

По-големият натиск върху превключвателя ще увеличи скоростта/удара.

### Предварително избиране на скоростта/честотата на удара (не се предлага при всички модели)

Колелото с палец може да се използва за предварително избиране на скоростта на електроинструмента. Необходимата скорост/честота на ударите може да бъде предварително избрана дори по време на работа.

Необходимата скорост/честота на ударите зависи от материала и условията на работа и може да се определи само чрез практически изпитвания.



### Избор на предавка (не се предлага при всички модели)

Използвайте превключвателя на предавките, за да избирате между две предавки.

**Скорост I:** За работа с инструменти с голям диаметър на пробиване или за забиване на винтове.

**Предавка II:** Високоскоростен диапазон; за работа с инструменти с малък диаметър на пробиване. Винаги завъртайте селектора на предавките по посока на стрелката. Ако предавката не може да се включи напълно, завъртете задвижващия шпиндел заедно със свредлото, като леко завъртите патронника.

### Поддръжка

Вашият електроинструмент Bormann е проектиран да работи дълго време с минимална поддръжка.

#### Смазване

Електроинструментът ви не се нуждае от допълнително смазване.

#### Почистване

Поддържайте вентилационните отвори чисти и свободни и редовно почиствайте корпуса с мека кърпа.

### Изхвърляне

Електроинструментът, аксесоарите и опаковката трябва да се сортират за рециклиране, щадящо околната среда.



#### Само за страните от ЕС:

Не изхвърляйте електроинструментите в битовите отпадъци!

Съгласно Европейската директива 2002/96/ЕО за отпадъците от електрическо и електронно оборудване и нейното въвеждане в националното законодателство, електрическите инструменти, които вече не са годни за употреба, трябва да се събират отделно и да се изхвърлят по екологично правилен начин.

## Piktogrami - opozorilne oznake



Dvojna izolacija



Nosite zaščito za oči  
oprema



Pomembne informacije



Opozorilo!



Nosite zaščito za ušesa  
oprema



Nosite masko proti  
prahu



Da bi zmanjšali nevarnost poškodb, preberite naslednja  
navodila.

## Splošna varnostna pravila



**OPOZORILO!** Preberite vsa navodila, neupoštevanje vseh spodaj navedenih navodil lahko povzroči električni udar, požar in/ali hude telesne poškodbe. Izraz "električno orodje" se v vseh spodaj navedenih opozorilih nanaša na vaše električno orodje, ki se napaja iz električnega omrežja (z napeljavo), ali električno orodje, ki se napaja iz akumulatorja (brez napeljave).



**NAVODILA ZA UPORABO SHRANITE NA VARNEM MESTU.**

### Varnost na delovnem mestu

- Delovni prostor naj bo čist in dobro osvetljen. Temni ali neurejeni prostori lahko povzročijo nesreče.
- Električnega orodja ne uporabljajte v eksplozivnih okoljih, kot so vnetljive tekočine ali hlapi, plini ali prah. Električna orodja lahko povzročijo iskre, ki lahko vžgejo pline ali hlape.
- Med delovanjem električnega orodja naj bodo otroci in mimoidoči na varni razdalji.

### Električna varnost

- Prepričajte se, da vtiči električnega orodja ustrezajo vtičnici. Vtiča ne spreminjajte na noben način. Ne uporabljajte adapterskih vtičev z ozemljenimi električnimi orodji. Z uporabo nespremenjenih vtičev in ustreznih vtičnic boste zmanjšali tveganje električnega udara in drugih poškodb.
- Izogibajte se telesnemu stiku z ozemljenimi ali ozemljenimi materiali ali predmeti, kot so radiatorji, cevi, štedilniki in hladilniki. Če je vaše telo ozemljeno ali ozemljeno, obstaja ogromna nevarnost električnega udara.
- Električnih orodij ne izpostavljajte dežju ali drugim mokrim razmeram. Vdor vode v električno orodje lahko poveča nevarnost električnega udara.
- Ne zlorablajte napajalnega kabla. Nikoli ne uporabljajte kabla za prenašanje, vlečenje ali odklop električnega orodja. Kabel hranite na varni razdalji od vročine, olja, ostrih robov in vseh gibljivih delov. Poškodovane ali zapletene vrvice povečajo nevarnost električnega udara.
- Če električno orodje uporabljate na prostem, uporabite podaljšek z ustreznimi specifikacijami za uporabo na prostem. Uporaba podaljška, ki je primeren za uporabo na prostem, zmanjša tveganje električnega udara.
- Če električnega orodja ni mogoče uporabljati na vlažnem mestu, uporabite napajanje, zaščiteno z napravo na preostali tok (RCD). Uporaba RCD zmanjša tveganje električnega udara.

### Osebna varnost

- Pri delu z električnim orodjem bodite pozorni, pazite, kaj počnete, in uporabljajte zdravo pamet. Ne uporabljajte električnega orodja, če ste utrujeni ali pod vplivom alkohola, drog ali zdravil. Trenutek nepozornosti med upravljanjem električnega orodja lahko povzroči hude telesne poškodbe.
- Uporabljajte osebno zaščitno opremo. Vedno nosite zaščito za oči. Zaščitna oprema, kot so maska proti prahu ali zaščita sluha, nederseči varnostni čevlji ali zaščitne čelade, ki se uporabljajo v ustreznih pogojih, bo zmanjšala število osebnih poškodb.
- Preprečite nenameren zagon. Pred priključitvijo na vir napajanja in/ali akumulatorski sklop, dvigovanjem ali prenašanjem električnega orodja se prepričajte, da je stikalo za napajanje v položaju izklopljeno. Prenašanje električnega orodja s prstom na stikalu za napajanje ali vklop električnega orodja, ki ima stikalo v vklopljenem položaju, spodbuja nesreče.
- Pred vklopom električnega orodja odstranite nastavitvene ključe ali ključe. Orodje, ki ostane pritrjeno na vrteči se del električnega orodja, lahko povzroči telesne poškodbe.
- Ne pretiravajte. Ves čas ohranjajte ravnotežje in pravilen korak. Tako boste lažje obvladovali električno orodje v nepričakovanih situacijah.
- Ustrezno se oblecite. Ne nosite ohlapnih oblačil ali nakita. Lasje, oblačila in rokavice naj ne bodo v bližini gibljivih delov. Ohlapna oblačila, nakit in/ali dolgi lasje se lahko ujamejo v gibljive dele.

### Uporaba in nega električnega orodja

- Električnega orodja ne uporabljajte na silo. Za vsako uporabo uporabite ustrezno električno orodje. Pravilno električno orodje bo vedno opravi delo bolje in varneje, če se uporablja s hitrostjo, za katero je bil zasnovan.

- b) Električnega orodja ne uporabljajte, če stikalo ne aktivira ali deaktivira. Vsako električno orodje, ki ga ni mogoče upravljati s stikalom, je zelo nevarno in ga je treba popraviti.
- c) Pred menjavo pribora, nastavitvami ali shranjevanjem električnega orodja izključite glavni vtič iz vira napajanja in/ali akumulatorsko baterijo iz električnega orodja. Takšni preventivni varnostni ukrepi bodo zmanjšali nevarnost nenamerne zagona električnega orodja.
- d) Električno orodje v mirovanju shranjujte izven dosega otrok in ne dovolite, da bi ga uporabljale in upravljale osebe, ki niso seznanjene z električnim orodjem ali temi navodili.
- Električna orodja so v rokah neusposobljenih uporabnikov zelo nevarna.
- e) Vzdrževanje električnih orodij. Preverite, ali so gibljivi deli napačno poravnani ali vezani, ali se deli lomijo, ali prihaja do puščanja in drugih težav, ki bi lahko vplivale na delovanje električnega orodja. Če je električno orodje poškodovano, ga pred uporabo popravite. Veliko nesreč in poškodb je posledica slabo vzdrževanega električnega orodja.
- f) Vsa rezalna orodja naj bodo ostra in čista. Ustrezno vzdrževana rezalna orodja z ostrimi rezalnimi robovi se redkeje zataknejo ter so natančnejša in lažje obvladljiva.
- g) Električno orodje, dodatno opremo, nastavke itd. vedno uporabljajte v skladu z navodili iz tega priročnika, ob upoštevanju delovnih pogojev in dela, ki ga je treba opraviti.
- Uporaba električnega orodja za namene, ki niso predvideni, lahko povzroči nevarne razmere.

### Storitev

- a) Električno orodje naj servisira usposobljen serviser, ki uporablja samo enake nadomestne dele. Tako boste zagotovili varnost električnega orodja.

### Varnost strojev

Pri uporabi udarnih vrtnalnikov ali drugih podobnih električnih orodij vedno uporabljajte zaščito sluha. Vpliv hrupa lahko povzroči izgubo sluha.

Vedno uporabljajte pomožni ročaj, ki je priložen električnemu orodju/stroju. Izguba nadzora lahko povzroči telesne poškodbe. Z ustreznimi detektorji ugotovite, ali so na delovnem območju skriti komunalni vodi, ali pa za pomoč pokličite lokalno komunalno podjetje. Stik z električnimi vodi lahko povzroči požar in/ali električni udar. Poškodovanje plinske cevi lahko povzroči eksplozijo. Vdor v vodovodno cev lahko povzroči materialno škodo ali celo električni udar.

Če se bit električnega orodja zatakne, ga takoj izklopite. Bodite pripravljeni na velik reakcijski navor, ki lahko povzroči povratni udarec.

Orodni nastavek se zatakne, ko:

- je električno orodje preobremenjeno ali
- se zatakne v obdelovanec.

Pri delu, pri katerem bi se lahko rezalno orodje dotaknilo skritih kablov ali lastnega napajalnega kabla, držite električno orodje le za izolirane oprijemalne površine. Ob stiku z žico pod napetostjo bodo pod napetostjo tudi vsi izpostavljeni kovinski deli električnega orodja, kar bo povzročilo šok za upravljavca.

Pri delu z električnim orodjem ga vedno trdno držite z obema rokama in si zagotovite varen položaj. Z obema rokama je nadzor nad električnim orodjem učinkovitejši.

Pritrdite obdelovanec. Obdelovanec, ki je vpet z držalom ali vpenjalnimi napravami, je trdneje pritrjen kot z roko.

Delovno mesto naj bo čisto. Mešanice materialov so zelo nevarne. Prah iz lahkih zlitin se lahko zažge ali vžge.

Preverite, ali so orodje in morebitni deli ali dodatki poškodovani med prevozom.

Pred začetkom uporabe si vzemite čas za temeljito branje in razumevanje tega priročnika.

### Predvidena uporaba

Stroj je namenjen vrтанju v les, kovino in plastiko.

Stroji z elektronskim krmiljenjem in desno-levo rotacijo so primerni tudi za vijačenje in rezanje navojev.

Stroji z udarno funkcijo so primerni za vrтанje v opeko, beton in kamen.

\* Proizvajalec si pridržuje pravico do manjših sprememb zasnove in tehničnih specifikacij izdelka brez predhodnega obvestila, razen če te spremembe bistveno vplivajo na delovanje in varnost izdelkov. Deli, opisani/prikazani na straneh priročnika, ki ga držite v rokah, se lahko nanašajo tudi na druge modele proizvajalčeve linije izdelkov s podobnimi lastnostmi in morda niso vključeni v izdelek, ki ste ga pravkar pridobili.

\* Da bi zagotovili varnost in zanesljivost izdelka ter veljavnost garancije, smejo vsa popravila, preglede, popravila ali zamenjave, vključno z vzdrževanjem in posebnimi nastavitvami, opravljati le tehnik pooblaščenega servisnega oddelka proizvajalca.

\* Izdelek vedno uporabljajte s priloženo opremo. Uporaba izdelka z opremo, ki ni priložena, lahko povzroči motnje v delovanju ali celo hude telesne poškodbe ali smrt. Proizvajalec in uvoznik nista odgovorna za poškodbe in škodo, ki so posledica uporabe neustrezne opreme.

## Funkcionalni opis in specifikacije

Naslednje oštevilčenje se nanaša na sliko stroja na strani 2.

1	Vpenjalnik brez ključa*
2	Stikalo za vklop/izklop
3	Predizbira hitrosti Palec*
4	Gumb za zaklepanje
5	Stikalo smeri vrtenja
6	Stikalo za izbiro funkcije udarnega vrtenja / vrtenja*
7	Pomožni ročaj*
8	Globinski omejevalnik*
9	Stikalo za izbiro prestave*
10	Vpenjalnik s ključem*
11	Vpenjalne glava ključ*



\* Dodatki, ki so prikazani ali opisani, niso vključeni v standardno dobavo.

## Tehnični podatki

Model	BID4500	BID6500	BID9200	BID1300
Nazivna napetost	230 V / 120 V	230V	230V	230V
Nazivna frekvenca	50 Hz / 60 Hz	50 Hz	50 Hz	50 Hz
Vhodna moč	400w	650w	920w	1200w
Brez obremenitve hitrost	0-4200 vrt/min	0-2850 vrt/min	0-3000 vrt/min	0-1200 vrt/min 0-3000 vrt/min
Vrsta vpenjala	Brez ključa 10 mm	Brez ključa 13 mm	Brez ključa 13 mm	Brez ključa 13 mm

## Električna varnost

Električni motor je zasnovan le za določeno napetost. Vedno preverite, ali napajanje ustreza napetosti, zapisani na tipski ploščici.

## Navodila za montažo - glavne nastavitve



Pred uporabo orodja preberite vsa navodila.

### Pomožni ročaj (ni na voljo pri vseh modelih)

Stroj upravljajte samo s pomožnim ročajem.

Pomožni ročaj lahko nastavite v poljuben položaj za varen in udoben delovni položaj.

Ročaj (ali objemko) zavrtite v nasprotni smeri urinega kazalca, da ga nastavite in nastavite v zeleni položaj.

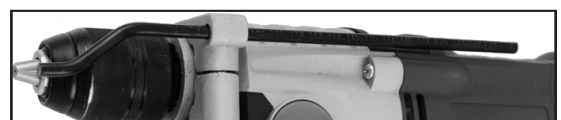
Nato zategnite ročaj (ali objemko) v smeri urinega kazalca ali pritisnite ustrezen gumb in ga po končani nastavitvi sprostite.



### Prilagajanje globine vrtenja (ni na voljo pri vseh modelih)

Zahtevano globino vrtenja lahko nastavite z globinskim omejevalnikom.

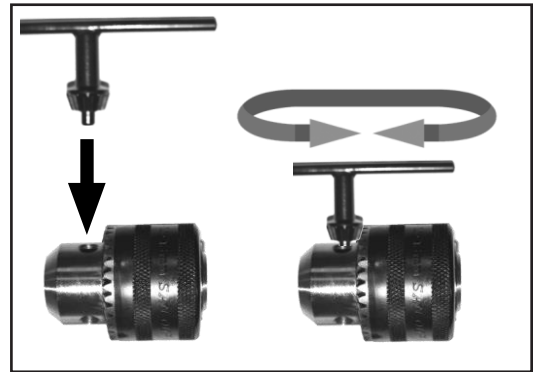
Zavrtite ročaj v nasprotni smeri urinega kazalca (ali pritisnite gumb), da ga sprostite in vstavite globinski omejevalnik v pomožni ročaj. Globinski omejevalnik izvlecite, dokler razdalja med konico svedra in konico globinskega omejevalnika ne ustreza zeleni globini vrtenja.



Zategnite ročaj, da se globinski omejevalnik zaskoči v izbranem položaju (ali sprostite gumb).

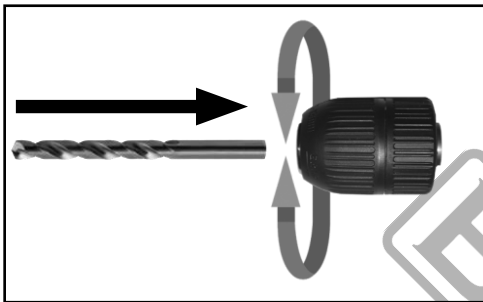
#### Vrtalno držalo s ključem (ni na voljo pri vseh modelih)

Odprite vpenjalno držalo vrtalnika s ključem tako, da ga zavrtite v nasprotni smeri urinega kazalca, dokler ni mogoče vstaviti orodja. Vstavite orodje. Vstavite ključ vpenjalne glave v ustrezne odprtine vpenjalne glave vrtalnika s ključem in enakomerno zategnite vpenjalno glavo.



#### Zamenjava držala vrtalnika

• Pri strojih brez blokade vretena z električnim orodjem ravnajte previdno. Pred montažo ali demontažo orodje vedno izključite iz električnega omrežja. Držalo je treba zamenjati v pooblaščenem servisnem centru.



#### Stikalo za vrtenje brez ključa

Z vrtenjem proti smeri urinega kazalca sprostite vpenjalno držalo, dokler ni mogoče vstaviti orodja. Na koncu zategnite vpenjalno držalo v smeri urinega kazalca do točke, ko se orodje varno drži.

#### Previdnostni ukrepi za odsesavanje prahu/čipov

Prah iz materialov, kot so premazi, ki vsebujejo svinec, nekatere vrste lesa, minerali in nekatere vrste kovin, je lahko škodljiv za zdravje. Dotikanje ali vdihavanje prahu lahko povzroči alergijske reakcije in/ali okužbe dihal uporabnika ali mimoidočih. Nekateri prahi, kot sta hrastov ali bukov prah, veljajo za rakotvorne, zlasti v povezavi z dodatki za obdelavo lesa (kromat, konzervansi za les). Materiale, ki vsebujejo azbest, lahko obdelujejo le strokovnjaki.

Zagotovite dobro prezračevanje delovnega mesta.

Priporočljivo je nositi ustrezen respirator s filtrom.

Upoštevajte ustrezne predpise v svoji državi za obdelovane materiale.

• Preprečite kopičenje prahu na delovnem mestu. Bodite previdni in imejte vedno v mislih, da se prah zlahka vname.

#### Navodila za uporabo

Vedno upoštevajte varnostna navodila in vse veljavne predpise.

Upoštevajte in se prepričajte o pravilni omrežni napetosti!

Napetost vira napajanja se mora ujemati z napetostjo, ki je navedena na tipski ploščici stroja/električnega orodja.

#### Izbira smeri vrtenja

Stikalo za smer vrtenja se uporablja za spreminjanje smeri vrtenja električnega orodja.

Prepričajte se, da stikala za smer vrtenja ne uporabljate, če je stikalo za vklop/izklop aktivirano.

**Desno vrtenje:** Za vrtenje in vijačenje.

**Levo vrtenje:** Za odvijanje in privijanje vijakov in matic.

#### Preklapljanje med ON in OFF

• Če želite zagnati električno orodje, pritisnite stikalo za vklop/izklop in ga držite pritisnjeno.

Če želite pritisnjeno stikalo za vklop/izklop zakleniti, pritisnite gumb za zaklepanje.

• Za izklop stroja sprostite stikalo za vklop/izklop ali, če je zaklenjeno z gumbom lock-on, hitro pritisnite stikalo za vklop/izklop in ga nato sprostite.

#### Udarno vrtenje (ni na voljo pri vseh modelih)

Nastavite izbirno stikalo v položaj za udarno vrtenje (simbol kladiva).

#### Prilagajanje hitrosti/frekvence udarcev

Hitrost udarca/obsežnost udarca je mogoče prilagoditi glede na to, kako močno je pritisnjeno stikalo za vklop/izklop.

Z rahlim pritiskom na stikalo za vklop/izklop se doseže nizka hitrost udarca. Če na stikalo pritisnete še bolj, se hitrost/obremenitev poveča.



**Predizbira hitrosti/obratovalne frekvence (ni na voljo pri vseh modelih)**

S kolescem za palec lahko vnaprej izberete hitrost električnega orodja.  
 Zahtevano hitrost/frekvenco udarcev lahko vnaprej izberete tudi med delovanjem.  
 Zahtevana hitrost/frekvenca udarcev je odvisna od materiala in delovnih pogojev ter jo je mogoče določiti le s praktičnim preskušanjem.

**Izbira prestave (ni na voljo pri vseh modelih)**

Z izbirnikom prestav lahko izbirate med dvema prestavama.

**Oprema I:** Za delo z orodji z velikim premerom vrtanja ali za vijačenje.

**Zobnik II:** območje visoke hitrosti; za delo z orodji z majhnim premerom vrtanja. Izbirnik prestav vedno obračajte v smeri puščice. Če prestave ni mogoče v celoti vključiti, z rahlim obračanjem vpenjalne glave vrtalnika zavrtite pogonsko vreteno s svedom.

**Vzdrževanje**

Vaše električno orodje Bormann je zasnovano tako, da lahko dolgo časa deluje z minimalnim vzdrževanjem.

**Mazanje**

Električno orodje ne potrebuje dodatnega mazanja.

**Čiščenje**

Prezračevalne reže naj bodo čiste in proste, ohišje pa redno čistite z mehko krpo.

**Odstranjevanje**

Električno orodje, dodatno opremo in embalažo je treba razvrstiti za okolju prijazno recikliranje.

**Samo za države EU:**

Električnega orodja ne odlagajte v gospodinjske odpadke!

V skladu z evropsko smernico 2002/96/ES za odpadno električno in elektronsko opremo in njeno implementacijo v nacionalno zakonodajo je treba električna orodja, ki niso več uporabna, zbirati ločeno in jih odstraniti na okolju prijazen način.

## Pictograme - Etichete de avertizare



Izolație dublă



Purtați protecție pentru ochi echipament



Informații importante



Atenție!



Purtați protecție pentru urechi echipament



Purtați o mască de praf



Pentru a reduce riscul de rănire, vă rugăm să citiți următoarele instrucțiuni.

## Reguli generale de siguranță



**AVERTISMENT!** Citiți toate instrucțiunile, nerespectarea tuturor instrucțiunilor enumerate mai jos poate duce la șocuri electrice, incendii și/sau răni grave. Termenul "unealtă electrică" din toate avertismentele enumerate mai jos se referă la unealta electrică cu alimentare de la rețeaua electrică (cu fir) sau la unealta electrică cu baterii (fără fir).



**VĂ RUGĂM SĂ PĂSTRAȚI MANUALUL DE INSTRUCȚIUNI ÎNTR-UN LOC SIGUR**

### Siguranța zonei de lucru

- Vă rugăm să păstrați zona de lucru curată și bine luminată. Zonele întunecate sau dezordonate pot favoriza producerea de accidente.
- Nu folosiți uneltele electrice în atmosfere explozive, cum ar fi în prezența unor lichide sau vapori inflamabili, gaze sau praf. Uneltele electrice ar putea crea scânteii care ar putea aprinde gazele sau vaporii.
- Vă rugăm să păstrați copiii și persoanele aflate în preajmă la o distanță de siguranță în timpul utilizării sculei electrice.

### Siguranța electrică

- Vă rugăm să vă asigurați că fișele uneltelor electrice se potrivesc cu priza. Nu modificați niciodată fișa în niciun fel. Nu utilizați fișe adaptoare cu unelte electrice cu împământare (cu împământare). Folosirea unor fișe nemodificate și a unor prize potrivite va reduce riscul de electrocutare și alte răni.
- Evitați contactul corpului cu materiale sau obiecte legate la pământ sau împământate, cum ar fi radiatoare, țevi, cuptoare și frigider. Există un risc enorm de șoc electric dacă corpul dumneavoastră este legat la pământ sau împământat.
- Nu expuneți uneltele electrice la ploaie sau în orice alte condiții de umezeală. Apa care pătrunde într-o unealtă electrică ar putea crește riscul de electrocutare.
- Nu abuzați de cablul de alimentare. Nu utilizați niciodată cablul pentru a transporta, trage sau deconecta sula electrică. Păstrați cablul la o distanță sigură de căldură, ulei, margini ascuțite și orice piese în mișcare. Cablurile deteriorate sau încurcate vor crește riscul de electrocutare.
- Atunci când folosiți o unealtă electrică în aer liber, utilizați un cablu prelungitor care are specificațiile corespunzătoare pentru utilizarea în aer liber. Utilizarea unui cablu prelungitor adecvat pentru utilizarea în exterior reduce riscul de electrocutare.
- În cazul în care nu se poate evita utilizarea unei scule electrice într-un loc umed, utilizați o sursă de alimentare protejată de un dispozitiv de curent rezidual (RCD). Utilizarea unui RCD reduce riscul de electrocutare.

### Siguranța personală

- Rămâneți vigilenți, urmăriți ceea ce faceți și folosiți bunul simț atunci când folosiți o unealtă electrică. Nu utilizați o unealtă electrică în timp ce vă simțiți obosit sau sub influența alcoolului, a drogurilor sau a medicamentelor. Un moment de neatenție în timpul utilizării unei scule electrice poate avea ca rezultat vătămări corporale grave.
- Vă rugăm să folosiți echipament de protecție personală. Purtați întotdeauna protecție pentru ochi. Echipamentul de protecție, cum ar fi masca de praf sau protecția auditivă, pantofii de siguranță antiderapanți sau căștile de protecție, utilizate în condiții adecvate, vor reduce numărul de vătămări corporale.
- Preveniți pornirea neintenționată. Asigurați-vă că întrerupătorul de alimentare este în poziția oprit înainte de a conecta la sursa de alimentare și/sau la pachetul de baterii, de a ridica sau de a transporta sula electrică. Transportarea sculelor electrice cu degetul pe întrerupătorul de alimentare sau punerea sub tensiune a sculelor electrice care au întrerupătorul în poziția pornit invită la accidente.
- Îndepărtați orice chei sau chei de reglare înainte de a porni sula electrică. O unealtă lăsată atașată la o parte rotativă a sculei electrice poate provoca vătămări corporale.
- Nu exagerați. Păstrați în permanență echilibrul și o poziție corectă. Acest lucru ajută la un control mai bun al sculei electrice în situații neașteptate.
- Îmbrăcați-vă corespunzător. Nu purtați haine largi sau bijuterii. Țineți-vă părul, hainele și mânușile departe de orice piese în mișcare. Hainele largi, bijuteriile și/sau părul lung pot fi prinse în piesele în mișcare.

### Utilizarea și îngrijirea uneltelor electrice

- Vă rugăm să nu forțați sula electrică. Folosiți sula electrică potrivită pentru fiecare aplicație. Unealta electrică corectă va fi întotdeauna își face treaba mai bine și mai sigur atunci când este utilizat în ritmul pentru care a fost proiectat.

- b) Nu utilizați scula electrică dacă întrerupătorul nu o activează sau dezactivează. Orice unealtă electrică care nu poate fi controlată cu ajutorul comutatorului este extrem de periculoasă și trebuie reparată.
- c) Deconectați ștecherul principal de la sursa de alimentare și/sau acumulatorul de la scula electrică înainte de a schimba accesoriile, de a face orice reglaje sau de a depozita sculele electrice. Astfel de măsuri preventive de siguranță vor reduce riscul de pornire accidentală a sculei electrice.
- d) Depozitați uneltele electrice nefolosite la îndemâna copiilor și nu permiteți persoanelor care nu sunt familiarizate cu scula electrică sau cu aceste instrucțiuni să utilizeze și să opereze scula electrică. Uneltele electrice sunt extrem de periculoase în mâinile unor utilizatori neinstruiți.
- e) Întreținerea sculelor electrice. Verificați dacă piesele în mișcare nu sunt nealiniat sau blocate, dacă piesele sunt rupte, dacă există scurgeri și orice altă condiție care poate afecta funcționarea sculei electrice. Dacă este deteriorată, vă rugăm să faceți reparația sculei electrice înainte de utilizare. Multe accidente și răniri sunt cauzate de uneltele electrice întreținute necorespunzător.
- f) Păstrați toate uneltele de tăiere ascuțite și curate. Uneltele de tăiere întreținute corespunzător, cu muchii de tăiere ascuțite, sunt mai puțin susceptibile de a se bloca și sunt mai precise și mai ușor de controlat.
- g) Utilizați întotdeauna scula electrică, accesoriile și biții de scule etc. în conformitate cu instrucțiunile din acest manual de instrucțiuni, ținând cont de condițiile de lucru și de lucrările care urmează să fie efectuate. Utilizarea sculei electrice pentru alte aplicații decât cele prevăzute ar putea duce la o situație periculoasă.

### Serviciul

- a) Trimiteti scula electrică la un tehnician de reparații calificat, folosind numai piese de schimb identice. Acest lucru va asigura menținerea siguranței sculei electrice.

### Avertismente de siguranță specifice mașinii

Purtați întotdeauna protecție pentru auz atunci când folosiți mașini de găurit cu percuție sau orice alte unelte electrice similare. Influența zgomotului poate duce la pierderea auzului.

Folosiți întotdeauna mânerul auxiliar furnizat împreună cu scula electrică/mașină. Pierderea controlului poate provoca vătămări corporale.

Utilizați detectoare adecvate pentru a determina dacă în zona de lucru sunt ascunse linii de utilități sau apă. Apelați la compania locală de utilități pentru asistență. Contactul cu liniile electrice poate duce la incendiu și/sau șocuri electrice. Deteriorarea unei conducte de gaz poate duce la explozie. Pătrunderea unei conducte de apă ar putea provoca daune materiale sau chiar un șoc electric.

Asigurați-vă că opriți imediat scula electrică atunci când se blochează burghiul sculei electrice. Pregătiți-vă pentru un cuplu de reacție ridicat care poate provoca recul.

Burghiul sculei se blochează atunci când:

- a) scula electrică este supusă unei suprasarcini sau
- b) se blochează în piesa de prelucrat.

Țineți scula electrică numai de suprafețele de prindere izolate atunci când efectuați o operațiune în care scula de tăiere ar putea intra în contact cu cabluri ascunse sau cu propriul cablu de alimentare. Contactul cu un fir "sub tensiune" va face ca și orice parte metalică expusă a sculei electrice să fie "sub tensiune" și să producă un șoc pentru operator.

Atunci când lucrați cu scula electrică, țineți-o întotdeauna ferm cu ambele mâini și asigurați-vă o poziție sigură. Unealta electrică este controlată mai eficient cu ambele mâini.

Fixați piesa de lucru. O piesă de prelucrat fixată cu o menghină sau cu dispozitive de fixare este ținută mai bine decât cu mâna. Păstrați-vă locul de muncă curat. Amestecurile de materiale sunt extrem de periculoase. Praful din aliajele ușoare poate arde sau se poate aprinde.

Verificați dacă unealta și orice piese sau accesorii au fost deteriorate în timpul transportului.

Acordați-vă timp pentru a citi și înțelege acest manual înainte de utilizare.

### Utilizare preconizată

Mașina este destinată forării suprafețelor din lemn, metal și plastic.

Mașinile cu control electronic și rotație dreapta/stânga sunt, de asemenea, potrivite pentru înșurubare și filetare.

Mașinile cu funcție de impact sunt potrivite pentru găurirea în cărămizi, beton și piatră.

\* Producătorul își rezervă dreptul de a aduce modificări minore la designul și specificațiile tehnice ale produsului fără notificare prealabilă, cu excepția cazului în care aceste modificări afectează în mod semnificativ performanța și siguranța produselor. Piese descrise / ilustrate în paginile manualului pe care îl țineți în mâini pot viza și alte modele din linia de produse ale producătorului cu caracteristici similare și pot să nu fie incluse în produsul pe care tocmai l-ați achiziționat.

\* Pentru a asigura siguranța și fiabilitatea produsului, precum și valabilitatea garanției, toate lucrările de reparații, inspecții, reparații sau înlocuiri, inclusiv întreținerea și reglajele speciale, trebuie efectuate numai de către tehnicieni ai departamentului de service autorizat al producătorului.

\* Utilizați întotdeauna produsul cu echipamentul furnizat. Funcționarea produsului cu echipamente care nu sunt furnizate poate cauza defectuni sau chiar vătămări grave sau chiar moartea. Producătorul și importatorul nu sunt răspunzători pentru vătămările și daunele rezultate din utilizarea unui echipament neconform.

## Descriere funcțională și specificații

Următoarea numerotare se referă la ilustrația aparatului indicată la pagina 2.

1	Mandrină fără cheie*
2	Comutator pornit/oprit
3	Viteza preselecția vitezei roțița degetului mare*
4	Buton de blocare
5	Comutator de direcție de rotație
6	Comutator de selectare a funcției de găurire cu impact / găurire*
7	Mâner auxiliar*
8	Oprire de adâncime*
9	Comutator de selectare a vitezei*
10	Mandrină cu cheie*
11	Cheia mandrină*



\* Accesoriile ilustrate sau descrise nu sunt incluse în livrarea standard.

## Date tehnice

Model	BID4500	BID6500	BID9200	BID1300
Tensiune nominală	230V / 120V	230V	230V	230V
Frecvența nominală	50Hz / 60Hz	50Hz	50Hz	50Hz
Putere de intrare	400w	650w	920w	1200w
Fără sarcină viteză	0-4200rpm	0-2850rpm	0-3000rpm	0-1200rpm / 0-3000rpm
Tip mandrină	Fără cheie 10mm	Fără cheie 13mm	Fără cheie 13mm	Fără cheie 13mm

## Siguranța electrică

Motorul electric a fost proiectat numai pentru o anumită tensiune. Verificați întotdeauna dacă alimentarea cu energie electrică corespunde tensiunii înscrise pe plăcuța de identificare.

## Instrucțiuni de asamblare - Reglaje principale



Înainte de a utiliza instrumentul, vă rugăm să citiți toate instrucțiunile.

### Mâner auxiliar (nu este disponibil la toate modelele)

Acționați-vă mașina numai cu mânerul auxiliar.

Mânerul auxiliar poate fi setat în orice poziție pentru o poziție de lucru sigură și confortabilă.

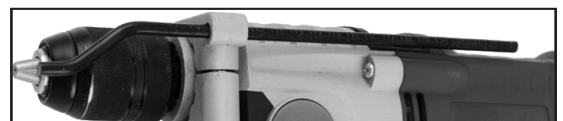
Rotiți mânerul (sau clema) în sens invers acelor de ceasornic pentru a regla și a o seta în poziția necesară. Apoi strângeți mânerul rotindu-l (sau clema) în sensul acelor de ceasornic sau apăsați butonul corespunzător și eliberați-l după ce ați terminat reglajul.



### Reglarea adâncimii de găurire (nu este disponibilă la toate modelele)

Adâncimea de găurire necesară poate fi setată cu ajutorul opritorului de adâncime.

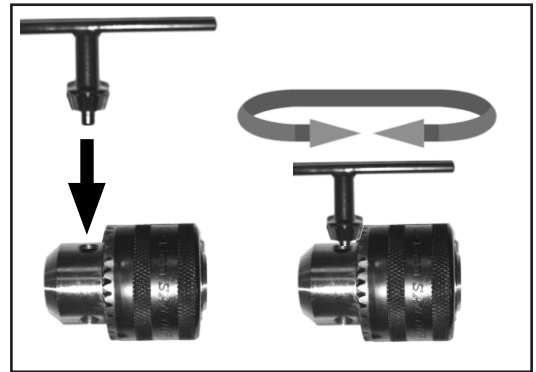
Rotiți mânerul în sens invers acelor de ceasornic (sau apăsați butonul) pentru a-l deșuruba și introduceți opritorul de adâncime în mânerul auxiliar. Scoateți opritorul de adâncime până când distanța dintre vârful burghiului și vârful opritorului de adâncime corespunde cu adâncimea de găurire dorită.



Strângeți mânerul pentru a bloca opritorul de adâncime în poziția preselectată (sau eliberați butonul).

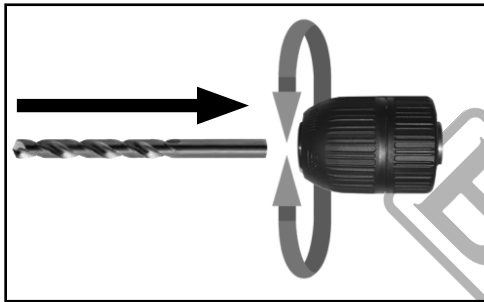
#### Mandrină de găurit tip cheie (nu este disponibilă la toate modelele)

Deschideți mandrina de găurit cu cheie prin rotirea acesteia în sens invers acelor de ceasornic până când se poate introduce scula. Introduceți scula. Introduceți cheia de mandrină în găurile corespunzătoare ale mandrinei de găurit cu cheie și strângeți mandrina uniform.



#### Înlocuirea mandrinei burghiului

• Pentru mașinile fără blocare a axului, vă rugăm să manevrați cu grijă scula electrică. Înainte de asamblare sau dezasamblare, scoateți întotdeauna scula din priză. Mandrina trebuie înlocuită prin intermediul unui centru de service autorizat.



#### Mandrină de găurit fără cheie

Deșurubați mandrina prin rotirea acesteia în sens invers acelor de ceasornic până când se poate introduce scula. În cele din urmă, strângeți mandrina în sensul acelor de ceasornic până la punctul în care scula este ținută bine.

#### Precauții de extragere a prafului/cipurilor

Pulberile provenite din materiale precum acoperiri care conțin plumb, unele tipuri de lemn, minerale și unele tipuri de metale pot fi dăunătoare pentru sănătate. Atingerea sau inhalarea pulberilor poate provoca reacții alergice și/sau poate duce la infecții respiratorii ale utilizatorului sau ale persoanelor aflate în preajmă.

Anumite pulberi, cum ar fi praful de stejar sau de fag, sunt considerate cancerigene, în special în legătură cu aditivii de tratare a lemnului (cromat, conservant pentru lemn). Materialele care conțin azbest pot fi lucrate numai de către specialiști.

Asigurați o bună ventilație a locului de muncă.

Se recomandă purtarea unui aparat de respirație cu filtru corespunzător.

Respectați reglementările relevante din țara dumneavoastră pentru materialele care urmează să fie prelucrate.

• Preveniți acumularea de praf la locul de muncă. Fiți atenți și rețineți întotdeauna că praful se poate aprinde cu ușurință.

#### Instrucțiuni de utilizare

Respectați întotdeauna instrucțiunile de siguranță și toate reglementările aplicabile.

Respectați și asigurați-vă de tensiunea de rețea corectă!

Tensiunea sursei de alimentare trebuie să fie în concordanță cu tensiunea specificată pe plăcuța de identificare a mașinii/unealtă electrică.

#### Selectarea direcției de rotație

Comutatorul de direcție de rotație este utilizat pentru a inversa direcția de rotație a sculei electrice. Asigurați-vă că nu utilizați comutatorul de direcție de rotație cu comutatorul de pornire/oprire acționat.

**Rotație dreapta:** Pentru găurirea și înfigerea șuruburilor.

**Rotație stânga:** Pentru slăbirea și deșurubarea șuruburilor și piulițelor.

#### Comutarea ON și OFF

• Pentru a porni scula electrică, apăsați comutatorul de pornire/oprire și mențineți-l apăsat.

Pentru a bloca comutatorul pornit/oprit apăsat, apăsați butonul de blocare.

• Pentru a opri aparatul, eliberați întrerupătorul Pornit/Oprit sau, atunci când este blocat cu butonul lock-on, apăsați rapid întrerupătorul Pornit/Oprit și apoi eliberați-l.

#### Perforare cu impact (nu este disponibil la toate modelele)

Setați comutatorul selector în poziția de găurire cu impact (simbolul ciocanului).

#### Reglarea frecvenței de viteză/impact

Viteza / rata de impact poate fi reglată în mod variabil, în funcție de cât de mult este apăsat comutatorul On/Off.

O presiune ușoară pe comutatorul pornit/oprit va da o viteză/rază de impact redusă. O presiune mai mare asupra comutatorului va crește viteza/rata de impact.

**Preselectarea vitezei/frecvenței de lovire (nu este disponibilă la toate modelele)**

Rotița poate fi utilizată pentru a preselecta viteza sculei electrice.

Viteza necesară/frecvența de impact poate fi preselectată chiar și în timpul funcționării.

Viteza necesară/frecvența de impact depinde de material și de condițiile de lucru și poate fi determinată numai prin teste practice.

**Selectarea treptelor de viteză (nu este disponibilă la toate modelele)**

Folosiți selectorul de viteze pentru a alege între două viteze.

**Angrenaj I:** Gamă de turații reduse; pentru lucrul cu scule cu diametru mare de găurire sau pentru înșurubarea șuruburilor.

**Angrenaj II:** Gamă de viteză mare; pentru lucrul cu scule cu diametru de găurire mic. Întotdeauna rotiți selectorul de viteze în direcția săgeții. Dacă angrenajul nu poate fi angrenat complet, rotiți axul de acționare cu burghiul prin rotirea ușoară a mandrinei de găurire.

**Întreținere**

Unealta dumneavoastră electrică Bormann a fost proiectată pentru a funcționa pe o perioadă lungă de timp cu un minim de întreținere.

**Lubrifiere**

Unealta dvs. electrică nu necesită lubrifiere suplimentară.

**Curățare**

Păstrați fantele de ventilație curate și libere și curățați periodic carcasa cu o cârpă moale.

**Eliminare**

Uneltele electrice, accesoriile și ambalajul trebuie sortate pentru a fi reciclate în mod ecologic.

**Numai pentru țările UE:**

Nu aruncați sculele electrice la gunoiul menajer!

În conformitate cu Directiva europeană 2002/96/CE privind deșeurile de echipamente electrice și electronice și cu transpunerea acesteia în legislația națională, uneltele electrice care nu mai sunt utilizabile trebuie colectate separat și eliminate într-un mod corect din punct de vedere ecologic.

## Piktogrami - Upozoravajuće oznake



Dvostruka izolacija



Nosite zaštitu za oči oprema



Važne informacije



Upozorenje!



Nosite zaštitu za uši oprema



Nosite masku za prašinu



Kako biste smanjili rizik od ozljeda, molimo pročitajte sljedeće upute.



Opće sigurnosne mjere UPOZORENJE! Pročitajte sve upute, nepoštivanje svih navedenih uputa može rezultirati električnim udarom, požarom i/ili ozbiljnim ozljedama. Izraz "električni alat" u svim navedenim upozorenjima odnosi se na vaš električni alat s mrežnim napajanjem (s kabelom) ili na vaš električni alat s baterijskim napajanjem (bežični električni alat).



**MOLIMO ČUVAJTE UPUTSTVO ZA UPOTREBU NA SIGURNOM MJESTU**

### Sigurnost radnog područja

- Molimo održavajte radno područje čistim i dobro osvijetljenim. Tamna ili zatrpana područja mogu privući nesreće.
- Ne koristite električne alate u eksplozivnim atmosferama, poput prisutnosti zapaljivih tekućina ili para, plinova ili prašine. Električni alati mogu stvarati iskre koje mogu zapaliti plinove ili pare.
- Molimo držite djecu i promatrače na sigurnoj udaljenosti tijekom rada s električnim alatom.

### Električna sigurnost

- Molimo provjerite odgovaraju li utikači električnih alata utičnicama. Nikada ne mijenjajte utikač na bilo koji način. Ne koristite adaptere s uzemljenim (uzemljenim) električnim alatima. Korištenje neizmijenjenih utikača i odgovarajućih utičnica smanjit će rizik od električnog udara i drugih ozljeda.
- Izbjegavajte dodir tijela s uzemljenim materijalima ili objektima, poput radijatora, cijevi, štednjaka i hladnjaka. Postoji ogroman rizik od električnog udara ako je vaše tijelo uzemljeno.
- Ne izlažite električne alate kiši ili bilo kojim drugim vlažnim uvjetima. Ulazak vode u električni alat može povećati rizik od električnog udara.
- Ne zlostavljajte električni kabel. Nikada ne koristite kabel za nošenje, povlačenje ili isključivanje električnog alata. Držite kabel na sigurnoj udaljenosti od topline, ulja, oštih rubova i pokretnih dijelova. Oštećeni ili zapetljani kabeli povećavaju rizik od električnog udara.
- Pri radu s električnim alatom na otvorenom, koristite produžni kabel koji ima odgovarajuće specifikacije za vanjsku upotrebu. Korištenje produžnog kabla prikladnog za vanjsku upotrebu smanjuje rizik od električnog udara.
- Ako se ne može izbjeći rad s električnim alatom na vlažnom mjestu, koristite napajanje zaštićeno uređajem za preostali strujni krug (RCD). Upotreba RCD-a smanjuje rizik od električnog udara.

### Osobna sigurnost

- Ostanite budni, pazite na ono što radite i koristite zdrav razum prilikom rada s električnim alatom. Ne koristite električni alat dok ste umorni ili pod utjecajem alkohola, droga ili lijekova. Trenutak nepažnje prilikom rada s električnim alatom može rezultirati ozbiljnom osobnom ozljedom.
- Molimo koristite osobnu zaštitnu opremu. Uvijek nosite zaštitu za oči. Zaštitna oprema poput maske za prašinu ili zaštite za sluh, cipela s protukliznim potplatom ili zaštitnih kaciga, koja se koristi u odgovarajućim uvjetima, smanjit će osobne ozljede.
- Spriječite nenamjerno pokretanje. Provjerite je li prekidač isključen prije spajanja na izvor napajanja i/ili baterijski paket, podizanja ili nošenja električnog alata. Nošenje električnih alata s prstom na prekidaču ili pokretanje električnih alata koji imaju prekidač u uključenom položaju dovodi do nesreća.
- Uklonite sve ključeve za podešavanje ili ključeve prije uključivanja električnog alata. Alat koji ostane pričvršćen za rotirajući dio električnog alata može rezultirati osobnom ozljedom.
- Ne dosežite predaleko. Održavajte ravnotežu i pravilan oslonac u svakom trenutku. To pomaže boljoj kontroli električnog alata u neočekivanim situacijama.
- Pravilno se obucite. Ne nosite labavu odjeću ili nakit. Držite kosu, odjeću i rukavice podalje od pokretnih dijelova. Labava odjeća, nakit i/ili duga kosa mogu se zapetljati u pokretnim dijelovima.

### Upotreba i održavanje električnog alata

- Molimo ne prisiljavajte električni alat. Koristite odgovarajući električni alat za svaku primjenu. Pravilno korištenje odgovarajućeg električnog alata uvijek će

obaviti posao bolje i sigurnije kada se koristi u skladu s namjenom.

- b) Ne koristite električni alat ako se prekidač ne može uključiti ili isključiti. Svaki električni alat koji se ne može kontrolirati prekidačem izuzetno je opasan i mora se popraviti.
- c) Isključite glavni utikač iz izvora napajanja i/ili baterijski paket iz električnog alata prije mijenjanja pribora, vršenja bilo kakvih prilagodbi ili spremanja električnih alata. Takve preventivne sigurnosne mjere smanjit će rizik od slučajnog pokretanja električnog alata.
- d) Spremite neaktivne električne alate izvan dohvata djece i ne dopustite osobama koje nisu upoznate s električnim alatom ili ovim uputama da ga koriste i rukuju njime. Električni alati su izuzetno opasni u rukama neobučenih korisnika.
- e) Održavajte električne alate. Provjerite jesu li dijelovi koji se kreću ispravno poravnati, jesu li oštećeni dijelovi, ima li curenja i bilo koje druge uvjete koji mogu utjecati na rad električnog alata. Ako je oštećen, molimo popravite električni alat prije upotrebe. Mnoge nesreće i ozljede uzrokovane su loše održanim električnim alatima.
- f) Održavajte sve oštre i čiste rezne alate. Pravilno održavani rezni alati s oštrim oštricama manje su vjerojatni da će se zapetljati i precizniji su i lakši za kontrolu.
- g) Uvijek koristite električni alat, pribor i alate itd. u skladu s uputama ovog uputstva za upotrebu, uzimajući u obzir radne uvjete i posao koji treba obaviti. Upotreba električnog alata u svrhe različite od namijenjenih može rezultirati opasnom situacijom.

#### Servis.

- a) Servisirajte svoj električni alat kod kvalificiranog tehničara za popravak koristeći samo identične zamjenske dijelove. To će osigurati da se sigurnost električnog alata održava.

### Upozorenja za sigurnost specifična za stroj Uvijek nosite zaštitu za sluh prilikom korištenja udarnih

#### bušilica ili bilo kojeg drugog sličnog električnog alata. Utjecaj buke može dovesti do gubitka sluha.

Uvijek koristite pomoćnu ručku koja dolazi s električnim alatom/strojem. Gubitak kontrole može uzrokovati ozljede. Koristite odgovarajuće detektore kako biste utvrdili jesu li u radnom području skriveni bilo kakvi vodovi ili nazovite lokalnu komunalnu tvrtku za pomoć. Dodir s električnim vodovima može dovesti do požara i/ili električnog udara. Oštećenje plinskog cjevovoda može dovesti do eksplozije. Prodiranje u vodovodnu cijev može uzrokovati oštećenje imovine ili čak električni udar. Odmah isključite električni alat kada se zaglavi. Budite spremni na visoki reakcijski okretni moment koji može uzrokovati povratni udar. Alat se zaglavi kada:

- a) električni alat je preopterećen ili
- b) zaglavi se u radnom komadu.

Držite električni alat samo za izolirane površine za držanje prilikom obavljanja operacije gdje se rezni alat može dodirnuti skriveni kabeli ili vlastiti kabel za napajanje. Dodir s "živim" žicama također će učiniti sve izložene metalne dijelove električnog alata "živima" i šokirati operatera. Prilikom rada s električnim alatom, uvijek ga čvrsto držite s obje ruke i osigurajte stabilan stav. Električni alat se kontrolira učinkovitije s obje ruke. Osigurajte svoj radni komad. Radni komad pričvršćen s prihvatnim uređajem ili steznim uređajima drži se sigurnije nego rukom. Održavajte svoje radno mjesto čistim. Mješavine materijala su izuzetno opasne. Prašina od laganih legura može izgorjeti ili zapaliti se. Provjerite ima li oštećenja na alatu i bilo kojim dijelovima ili priboru koji su mogli nastati tijekom transporta. Posvetite vrijeme temeljitoj lektiri i razumijevanju ovog priručnika prije upotrebe.

### Namjena

Stroj je namijenjen za bušenje u drvu, metalu i plastičnim površinama. Strojevi s elektroničkom kontrolom i rotacijom udesno/lijevo također su pogodni za uvrtanje vijaka i rezanje navoja. Strojevi s funkcijom udaranja pogodni su za bušenje u opeki, betonu i kamenu.

\* Proizvođač zadržava pravo na manje promjene u dizajnu proizvoda i tehničkim specifikacijama bez prethodne najave, osim ako te promjene značajno utječu na performanse i sigurnost proizvoda. Dijelovi opisani / prikazani na stranicama priručnika koji držite u rukama također se mogu odnositi na druge modele proizvodne linije proizvođača sličnih značajki i možda nisu uključeni u proizvod koji ste upravo nabavili.

\* Kako bi se osigurala sigurnost i pouzdanost proizvoda te valjanost jamstva, sve popravke, inspekcije, popravci ili zamjene, uključujući održavanje i posebne prilagodbe, moraju se obavljati samo od strane tehničara ovlaštenog servisnog odjela proizvođača.

\* Uvijek koristite proizvod s isporučenom opremom. Korištenje proizvoda s neisporučenom opremom može uzrokovati kvarove ili čak ozbiljne ozljede ili smrt. Proizvođač i uvoznik neće biti odgovorni za ozljede i štete koje proizlaze iz upotrebe neusklađene opreme.



## Funkcionalni opis i tehničke specifikacije

Sljedeći brojevi odnose se na ilustraciju stroja navedenu na stranici 2.

1	Brzi stezni čeljust*
2	Prekidač za uključivanje/isključivanje
3	Palac za prethodni odabir brzine*
4	Gumb za zaključavanje
5	Prekidač za smjer rotacije
6	Prekidač za odabir funkcije udaranja/bušenja*
7	Pomoćna ručka*
8	Zaustavljanje na određenoj dubini*
9	Prekidač za odabir brzine*
10	Stezna čeljust s ključem*
11	Ključ za steznu čeljust*



\* Prikazani ili opisani pribor nije uključen u standardnu isporuku.

## Tehnički podaci

Model	BID4500	BID6500	BID9200	BID1300
Napon:	230V / 120V	230V	230V	230V
Frekvencija:	50Hz / 60Hz	50Hz	50Hz	50Hz
Ulazna snaga:	400W	650W	920W	1200W
Brzina bez opterećenja:	0-4200 o/min	0-2850 o/min	0-3000 o/min	0-1200 o/min / 0-3000 o/min
Vrsta stezne glave:	Bez ključa, 10 mm	Bez ključa, 13 mm	Bez ključa, 13 mm	Bez ključa, 13 mm

**Električna sigurnost** Električni motor je dizajniran samo za određeni napon. Uvijek provjerite odgovara li napajanje naponu navedenom na pločici s oznakom.

## Upute za montažu - Glavne prilagodbe



**Prije upotrebe alata, proč itajte sve upute.**

### Pomoćna ručka (nije dostupna u svim modelima)

Koristite stroj samo s pomoćnom ručkom.

Pomoćnu ručku možete postaviti u bilo koju poziciju za siguran i udoban radni položaj.

Okrenite ručku (ili steznu spojnicu) u smjeru suprotnom od kazaljke na satu kako biste je podesili na željenu poziciju. Zatim zategnite ručku okretanjem u smjeru kazaljke na satu ili pritisnite odgovarajući gumb i otpustite ga nakon završetka podešavanja.



### Podešavanje dubine bušenja (nije dostupno u svim modelima)

Potrebnu dubinu bušenja možete postaviti pomoću dubinske ograničavajuće skale.

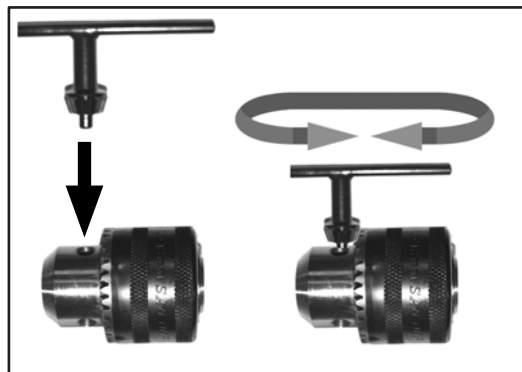
Okrenite ručku u smjeru suprotnom od kazaljke na satu (ili pritisnite gumb) kako biste je otpustili i umetnite dubinsku ograničavajuću skalu u pomoćnu ručku. Izvucite dubinsku ograničavajuću skalu dok udaljenost između vrha svrdla i vrha dubinske ograničavajuće skale ne odgovara željenoj dubini bušenja.



Zategnite ručku kako biste zaključali dubinsku ograničavajuću skalu na prethodno odabranu poziciju (ili otpustite gumb).

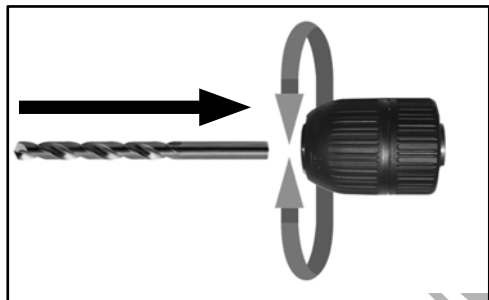
#### Stezna glava s ključem (nije dostupna u svim modelima)

Otvorite steznu glavu s ključem okretanjem u smjeru suprotnom od kazaljke na satu dok se alat ne može umetnuti. Umetnite alat. Umetnite ključ za steznu glavu u odgovarajuće rupe stezne glave s ključem i zategnite steznu glavu ravnomjerno.



#### Zamjena stezne glave

• Za strojeve bez blokade vretena, pažljivo rukujte električnim alatom. Prije montaže ili demontaže uvijek isključite alat iz struje. Stezna glava mora se zamijeniti u ovlaštenom servisnom centru.



#### Stezna glava bez ključa

Otpustite steznu glavu okretanjem u smjeru suprotnom od kazaljke na satu dok se alat ne može umetnuti. Na kraju, zategnite steznu glavu u smjeru kazaljke na satu do trenutka kada se alat čvrsto drži.

#### Preduzimanje mjera za izvlačenje prašine/čipova

Prašina iz materijala poput premaza koji sadrže olovo, određenih vrsta drva, minerala i nekih vrsta metala može biti štetna za zdravlje. Dodirivanje ili udisanje prašine može izazvati alergijske reakcije i/ili dovesti do respiratornih infekcija kod korisnika ili prolaznika.

Određene prašine, poput hrastove ili bukove prašine, smatraju se karcinogenima, posebno u vezi s aditivima za obradu drva (kromat, sredstvo za zaštitu drva). Materijale koji sadrže azbest smiju obrađivati samo stručnjaci. Osigurajte dobru ventilaciju radnog prostora.

Preporučuje se nošenje odgovarajuće respiratorne maske s filterom.

Pratite relevantne propise u svojoj zemlji za materijale koje treba obraditi.

- Spriječite nakupljanje prašine na radnom mjestu. Budite oprezni i uvijek imajte na umu da se prašina lako može zapaliti.

#### Upute za rad

Uvijek poštujujte sigurnosne upute i sve primjenjive propise. Provjerite i budite sigurni u ispravan napon mreže!

Napon izvora napajanja mora odgovarati naponu navedenom na pločici s nazivom stroja/alata.

#### Odabir smjera vrtnje

Prekidač smjera vrtnje koristi se za promjenu smjera vrtnje električnog alata. Pazite da ne koristite prekidač smjera vrtnje dok je uključen prekidač za uključivanje/isključivanje.

**Desna vrtnja: Za bušenje i uvrtanje vijaka.**

**Lijeva vrtnja: Za otpuštanje i odvrtnje vijaka i matica.**

#### Uključivanje i isključivanje

- Za pokretanje električnog alata, pritisnite prekidač za uključivanje/isključivanje i držite ga pritisnutim. Da biste zaključali

pritisnuti prekidač za uključivanje/isključivanje, pritisnite gumb za zaključavanje.

- Za isključivanje stroja, otpustite prekidač za uključivanje/isključivanje ili, ako je zaključan pomoću gumba za zaključavanje, brzo pritisnite prekidač za uključivanje/isključivanje, a zatim ga otpustite.

#### Udar bušenje (nije dostupno u svim modelima)

Postavite prekidač za odabir na položaj udarnog bušenja (simbol čekića).

#### Prilagođavanje brzine/udarnoj frekvenciji

Brzina/udarna frekvencija može se prilagoditi ovisno o tome koliko je prekidač za uključivanje/isključivanje pritisnut.

Lagani pritisak na prekidač za uključivanje/isključivanje rezultirat će niskom brzinom/udarnom frekvencijom. Daljnji pritisak na prekidač povećat će brzinu/udarnu frekvenciju.

**Prethodni odabir brzine/udarne frekvencije (nije dostupno u svim modelima)**

Palac kotačića može se koristiti za prethodni odabir brzine električnog alata. Potrebnu brzinu/udarnu frekvenciju možete prethodno odabrati čak i tijekom rada. Potrebna brzina/udarna frekvencija ovisi o materijalu i radnim uvjetima i može se odrediti samo kroz praktično testiranje.

**Odabir brzine (nije dostupno u svim modelima)**

Koristite prekidač za odabir brzine kako biste odabrali između dvije brzine.

**Brzina I: Niski raspon brzine; za rad s alatima velikog promjera bušenja ili za uvrtnje vijaka.**

**Brzina II: Visoki raspon brzine; za rad s alatima malog promjera bušenja. Uvijek okrećite prekidač za odabir brzine u smjeru strelice. Ako se brzina ne može potpuno uključiti, okrenite pogonsku vreteno s bušilicom laganim okretanjem stezne glave.**

**Održavanje**

Vaš Bormann električni alat je dizajniran za dugotrajno korištenje uz minimalno održavanje.

**Podmazivanje**

Vašem električnom alatu nije potrebno dodatno podmazivanje.

**Čišćenje**

Držite otvore za ventilaciju čistima i slobodnima te redovito čistite kućište mekanom krpom.

**Odlaganje**

Električni alat, pribor i ambalaža trebaju se sortirati za recikliranje koje je prijateljsko prema okolišu.

**Samo za zemlje Europske unije:**

Ne bacajte električne alate u kućni otpad!

Prema Europskoj smjernici 2002/96/EC o otpadnoj električnoj i elektroničkoj opremi i njezinoj provedbi u nacionalno pravo, električni alati koji više nisu upotrebljivi moraju se zasebno prikupljati i odlagati na ekološki ispravan način.

## ΕΓΓΥΗΣΗ

EL

Τα ηλεκτρικά εργαλεία έχουν κατασκευαστεί με αυστηρά πρότυπα που έχει θέσει η εταιρεία και συνάδουν με τα ευρωπαϊκά πρότυπα ποιότητας. Για τα ηλεκτρικά εργαλεία της εταιρείας μας παρέχεται περίοδος εγγύησης 24 μηνών για ερασιτεχνική χρήση, 12 μηνών για επαγγελματική χρήση και 12 μηνών για τις μπαταρίες και τους φορτιστές. Η ισχύς της εγγύησης ξεκινά από την ημερομηνία αγοράς του προϊόντος. Αποδεικτικό του δικαιώματος της εγγύησης αποτελεί το παραστατικό αγοράς του εργαλείου (απόδειξη λιανικής ή τιμολόγιο). Σε καμιά περίπτωση η εταιρεία δεν καλύπτει τη σχετική δαπάνη ανταλλακτικών και εργασιών εάν και εφόσον δε συνοδεύεται από αντίγραφο του παραστατικού αγοράς. Σε περίπτωση που η επισκευή πρέπει να γίνει στο service μας η δαπάνη μεταφοράς (από και προς) βαρύνει εξ' ολοκλήρου τον αποστολέα. Τα εργαλεία αποστέλλονται για την επισκευή τους στην εταιρεία ή σε εξουσιοδοτημένο συνεργείο με τον ενδεδειγμένο τρόπο και μέσο μεταφοράς.

### ΕΞΑΙΡΕΣΕΙΣ ΚΑΙ ΠΕΡΙΟΡΙΣΜΟΙ ΤΗΣ ΕΓΓΥΗΣΗΣ:

- 1) Ανταλλακτικά που φθείρονται φυσιολογικά από τη χρήση τους (καρβουνάκια, καλώδια, διακόπτες, φορτιστές, τσοκ κ.λπ).
- 2) Εργαλεία που έχουν υποστεί ζημίες από τη μη συμμόρφωση με τις οδηγίες του κατασκευαστή.
- 3) Εργαλεία με ελλιπή συντήρηση.
- 4) Χρήση μη ενδεδειγμένων λιπαντικών ή εξαρτημάτων.
- 5) Εργαλεία που έχουν δοθεί χωρίς επιβάρυνση.
- 6) Βλάβη που οφείλεται σε ηλεκτρική σύνδεση σε τάση διαφορετική από την αναγραφόμενη στην πινακίδα συσκευής.
- 7) Σύνδεση σε μη γειωμένο ρευματοδότη.
- 8) Μεταβολή της τάσης του ρεύματος.
- 9) Βλάβη που προκύπτει από τη χρήση αλμυρού νερού (π.χ πλαστικά, αντλίες).
- 10) Βλάβη ή κακή λειτουργία που έχει προκύψει από πλημμελή καθαρισμό του εργαλείου.
- 11) Επαφή του εργαλείου με χημικά, ή βλάβη από υγρασία, διάβρωση.
- 12) Εργαλεία που έχουν υποστεί τροποποιήσεις – αλλαγές ή έχουν ανοιχτεί από μη εξουσιοδοτημένο συνεργείο.
- 13) Σπασμένα μέρη/εξαρτήματα εξαιτίας μη ορθής χρήσης.
- 14) Εργαλεία που χρησιμοποιούνται για ενοικίαση.

Η εγγύηση καλύπτει αποκλειστικά τη δωρεάν αντικατάσταση του εξαρτήματος που έχει κατασκευαστικό ελάττωμα ή αστοχία υλικού. Σε περίπτωση έλλειψης ανταλλακτικού η εταιρεία διατηρεί το δικαίωμα αντικατάστασης του εργαλείου με άλλο αντίστοιχο μοντέλο. Μετά τη διεκπεραίωση εγγύησης δεν επιμηκύνεται ούτε ανανεώνεται ο χρόνος εγγύησης του εργαλείου. Αντικατάσταση ανταλλακτικού με χρέωση επισκευής, καλύπτεται από 1 χρόνο εγγύησης καλής λειτουργίας, με προϋπόθεση την τήρηση των όρων εγγύησης. Τα ανταλλακτικά ή τα εργαλεία τα οποία αντικαθίστανται παραμένουν στην κατοχή της εταιρείας μας. Άλλες απαιτήσεις, εκτός από αυτές που αναφέρονται σε αυτό το έντυπο εγγύησης επισκευής ή βλαβών ηλεκτρικών εργαλείων, δεν ισχύουν. Για την εγγύηση αυτή ισχύει το ελληνικό δίκαιο.

## WARRANTY

EN

The power tools have been manufactured according to strict standards, set by our company, which are aligned with the respective European quality standards. The power tools of our company are provided with a warranty period of 24 months for non-professional use, 12 months for professional use and 12 months for chargers and batteries. The warranty is valid from the date of purchase of the product. Proof of the warranty right is the purchase document of the tool (retail receipt or invoice). Under no circumstances shall the company cover the relevant cost of spare parts and respective required working hours unless a copy of the purchase document is presented. In case the repair has to be done by our service department the cost of transportation (to and from) is entirely borne by the sender (client). The tools must be sent for repair to the company or to an authorized workshop in the appropriate way and means of transport.

### WARRANTY EXEMPTIONS AND RESTRICTIONS:

- 1) Spare parts that wear out naturally as a consequence of being used (brushes, cables, switches, chargers, chucks etc.).
- 2) Tools damaged as a result of non-compliance with the instructions of the manufacturer.
- 3) Tools poorly maintained.
- 4) Use of improper lubricants or accessories.
- 5) Tools given to third entities free of charge.
- 6) Damage due to an electrical connection at a voltage other than that indicated on the appliance plate.
- 7) Connection to a non-earthed power supply.
- 8) Change in current voltage.
- 9) Damage resulting from the use of salty water (e.g., washing machines, pumps).
- 10) Damage or malfunction resulting from improper cleaning procedure of the tool.
- 11) Contact of the tool with chemicals, or damage as a result of moisture or corrosion.
- 12) Tools that have been modified or opened by unauthorised personnel.
- 13) Broken parts/components as a result of inappropriate use.
- 14) Tools used for rent.

The warranty covers only the free of charge replacement of the component that presents a manufacturing defect or material failure. In case of lack of a specific spare part the company reserves the right to replace the tool with another corresponding model. After all warranty procedures have been concluded, the warranty period of the tool shall not be extended or renewed. Replacement of a spare part with repair charge is covered by a 1 year warranty of good operation, subject to compliance with the warranty terms. The spare parts or tools that are replaced remain in the possession of our company. Requirements, other than those mentioned in this warranty form, regarding power tools repair or damage thereof, do not apply. Greek law and relative regulations apply to this warranty.

## GARANTIE

FR

Les outils électriques sont fabriqués selon des normes strictes, établies par notre société et se sont alignées sur les normes de qualité européennes respectives. Les outils électriques de notre société sont bénéficiés d'une garantie de 24 mois pour une utilisation non professionnelle, 12 mois pour une utilisation professionnelle et de 12 mois pour les batteries et les chargeurs. La garantie est valable à partir de la date d'achat du produit. La preuve du droit à la garantie est le document d'achat de l'outil (ticket de caisse ou facture). En aucun cas, l'entreprise ne couvrira le coût des pièces de rechange et des heures de travail nécessaires si une copie du document d'achat n'est pas présentée. Si la réparation doit être effectuée par notre service après-vente, les frais de transport (aller-retour) sont entièrement à la charge de l'expéditeur (client). Les outils doivent être envoyés pour réparation à l'entreprise ou à un atelier agréé de la manière et avec le moyen de transport appropriée.

### EXEMPTIONS ET RESTRICTIONS DE GARANTIE:

- 1) Les pièces de rechange qui s'usent naturellement suite à leur utilisation (balaise, câbles, interrupteurs, chargeurs, mandrins etc.).
- 2) Les outils endommagés à la suite du non-respect des instructions du fabricant.
- 3) Outils mal entretenus.
- 4) Utilisation de lubrifiants ou d'accessoires inappropriés.
- 5) Outils donnés à des tiers à titre gratuit.
- 6) Dommages dus à un mauvais branchement électrique ou à une tension différente de celle indiquée sur la plaque de l'appareil.
- 7) Connexion à une alimentation électrique non reliée à la terre.
- 8) Fluctuation de la tension inacceptable.
- 9) Dommages résultant de l'utilisation d'eau salée (par exemple, machines à laver, pompes).
- 10) Dommages ou dysfonctionnement résultant d'une procédure de nettoyage inadéquate de l'appareil.
- 11) Contact de l'outil avec des produits chimiques, ou dommages résultant de l'humidité ou de la corrosion.
- 12) Les outils qui ont été modifiés ou ouverts par du personnel non autorisé.
- 13) Pièces/composants cassés à la suite d'une utilisation inappropriée.
- 14) Les outils utilisés à location.

La garantie couvre uniquement le remplacement gratuit du composant qui présente un défaut de fabrication ou une défaillance matérielle. En cas d'absence d'une pièce de rechange spécifique, l'entreprise se réserve le droit de remplacer l'outil par un autre modèle correspondant. Après la conclusion de toutes les procédures de garantie, la période de garantie de l'outil ne sera pas prolongée ou renouvelée. Le remplacement d'une pièce de rechange, ainsi que les frais de réparation, sont couverts par une garantie de bon fonctionnement d'un an, sous réserve du respect des conditions de garantie. Les pièces de rechange ou les outils remplacés restent en possession de notre société. Les exigences, autres que celles mentionnées dans ce formulaire de garantie, concernant la réparation des outils électriques ou leur endommagement, ne sont pas applicables. La loi grecque et ses règlements s'appliquent à cette garantie.

## GARANZIA

IT

Gli elettrodomestici sono stati fabbricati secondo gli standard rigorosi, stabiliti dalla nostra azienda, che sono allineati con i rispettivi standard di qualità europei. Gli elettrodomestici della nostra azienda sono forniti con un periodo di garanzia di 24 mesi per uso non professionale, 12 mesi per uso professionale e 12 mesi per le batterie e i caricabatterie. La garanzia è valida dalla data di acquisto del prodotto. La prova del diritto di garanzia è il documento di acquisto dell'utensile (scontrino o fattura). In nessun caso l'azienda coprirà il relativo costo dei pezzi di ricambio e delle rispettive ore di lavoro necessarie se non viene presentata una copia del documento di acquisto. Nel caso in cui la riparazione debba essere effettuata dal nostro servizio di assistenza, il costo del trasporto (da e per) è interamente a carico del mittente (cliente). Gli utensili devono essere inviati per la riparazione all'azienda o ad un'officina autorizzata nel modo e nel mezzo di trasporto appropriato.

### ECCEZIONI E LIMITAZIONI ALLA GARANZIA:

- 1) Pezzi di ricambio che si deteriorano naturalmente con l'uso (pezzi di consumo).
- 2) Utensili danneggiati dal mancato rispetto delle istruzioni del produttore.
- 3) Strumenti con manutenzione insufficiente.
- 4) Uso di lubrificanti o parti inappropriate.
- 5) Strumenti dati gratuitamente.
- 6) Guasto dovuto a un collegamento dell'aria compressa a una pressione diversa da quella indicata sulla targhetta dei dati tecnici.
- 7) Danni derivanti dall'uso di aria compressa impura e non filtrata.
- 8) Danni o malfunzionamenti derivanti da una pulizia inadeguata dell'utensile.
- 9) Contatto dell'utensile con prodotti chimici, o danni da umidità, corrosione.
- 10) Strumenti che hanno subito modifiche - cambiamenti o sono stati aperti da un'officina non autorizzata.
- 11) Strumenti utilizzati per il noleggio.
- 12) Strumenti che sono stati modificati o aperti da personale non autorizzato.
- 13) Rottura di parti/componenti a causa di un uso improprio.
- 14) Strumenti utilizzati per il noleggio.

La garanzia copre solo la sostituzione gratuita del componente che presenta un difetto di fabbricazione o di materiale. In caso di mancanza di un pezzo di ricambio specifico, l'azienda si riserva il diritto di sostituire l'utensile con un altro modello corrispondente. Una volta concluse tutte le procedure di garanzia, il periodo di garanzia dell'utensile non potrà essere esteso o rinnovato. La sostituzione di un pezzo di ricambio, insieme al costo della riparazione, è coperta da una garanzia di buon funzionamento di 1 anno, a condizione che vengano rispettati i termini della garanzia. I pezzi di ricambio o gli utensili che vengono sostituiti rimangono in possesso della nostra azienda. I requisiti, diversi da quelli menzionati in questo modulo di garanzia, riguardanti la riparazione di utensili elettrici o il loro danneggiamento, non si applicano. La legge greca e i relativi regolamenti si applicano a questa garanzia.

## GARANCIA

AL

Mjetet e energjisë janë prodhuar sipas standardeve strikte, të vendosura nga kompania jonë, të cilat janë në përputhje me standardet respektive evropiane të cilësisë. Mjetet e energjisë të kompanisë sonë janë siguruar me një periudhë garancie prej 24 muaj për përdorim jo profesional, 12 muaj për përdorim profesional dhe 12 muaj për bateritë dhe karikuesit. Garancia është e vlefshme nga data e blerjes së produktit. Prova e së drejtës së garancisë është dokumenti i blerjes së mjetit (faturë ose faturë me pakicë). Në asnjë rrethanë ndërmarrja nuk mbulon koston përkatëse të pjesëve të këmbimit dhe orarin përkatës të kërkur të punës, përveç kur është paraqitur një kopje e dokumentit të blerjes. Në rast se riparimi duhet të bëhet nga departamenti ynë i shërbimit kostoja e transportit (për dhe nga) është tërësisht e mbajtur nga dërguesi (klienti). Mjetet duhet të dërgohen për riparim në ndërmarrje ose në një punishte të autorizuar në mënyrën dhe mjetet e duhura të transportit.

### PËRJASHTIMET DHE KUFIZIMET E GARANCISË:

- 1) Pjesët rezervë që përdoren në mënyrë natyrale si pasojë e përdorur (furçat, kablot, ndërruesit, karikuesit, mbytjet etj.).
- 2) Veglat e dëmtuara si rezultat i mosrespektimit të udhëzimeve të prodhuesit.
- 3) Mjetet e mbajtura keq.
- 4) Përdorimi i lubrifikantëve ose aksesoreve të papërshtatshëm.
- 5) Mjetet që u jepen enteve të treta pa pagesë.
- 6) Dëmtimi për shkak të një lidhje elektrike në një tension tjetër nga ai i treguar në plakën e pajisjes.
- 7) Lidhja me furnizimin me energji jo tokësore.
- 8) Ndryshimi i tensionit aktual.
- 9) Dëmtimet që vijnë si pasojë e përdorimit të ujit të kripur (p.sh., lavatrice, pompa).
- 10) Dëmtimi ose mosfunksionimi që rezulton nga procedura e papërshtatshme e pastrimit të mjetit.
- 11) Kontakti i mjetit me kimikate, ose dëmtimi si pasojë e lagështisë ose korrozionit.
- 12) Mjete që janë modifikuar ose hapur nga personel i paautorizuar.
- 13) Pjesë/përbërës të thyer si rezultat i përdorimit të papërshtatshëm.
- 14) Veglat e përdorura për qira.

Garancia mbulon vetëm zëvendësimin pa pagesë të komponentit që paraqet një defekt prodhues ose dështim material. Në rast të mungesës së një pjesë rezervë specifike kompania rezervon të drejtën për të zëvendësuar mjetin me një model tjetër përkatës. Pasi të jenë përfunduar të gjitha procedurat e garancisë, periudha e garancisë së mjetit nuk do të zgjatet ose të rinovohet. Zëvendësimi i një pjesë rezervë, së bashku me ngarkesën e riparimit, mbulohet nga një garanci vepri me mirë 1 vit, subjekt i përputhjes me kushtet e garancisë. Pjesët e këmbimit ose mjetet që zëvendësohen mbeten në zotërim të kompanisë sonë. Kërkesat, përveç atyre të përmendura në këtë formë garancie, në lidhje me riparimin ose dëmtimin e mjeteve të energjisë elektrike, nuk zbatohen. Ligji grek dhe rregullat relative zbatohen për këtë garancia.

## GARANCIA

SLO

Električna orodja so bila izdelana v skladu s strogimi standardi našega podjetja, ki so usklajeni z ustreznimi evropskimi standardi kakovosti. Električna orodja našega podjetja imajo 24-mesečno garancijsko dobo za neprofesionalno uporabo, 12-mesečno za profesionalno uporabo ter 12-mesečno za polnilnice in baterije. Garancija velja od datuma nakupa izdelka. Dokazilo o pravici do garancije je dokument o nakupu orodja (maloprodajni račun ali račun). Podjetje v nobenem primeru ne krije ustreznih stroškov nadomestnih delov in ustreznih zahtevanih delovnih ur, če ni predložena kopija nakupnega dokumenta. Če mora popravilo opraviti naš servisni oddelek, stroške prevoza (do in nazaj) v celoti krije pošiljatelj (stranka). Orodje je treba poslati v popravilo podjetju ali pooblaščenim delavnicam na ustrezen način in z ustreznimi prevoznimi sredstvi.

### GARANCIJSKE IZJEME IN OMEJITVE:

- 1) Rezervni deli, ki se naravno obrabijo zaradi uporabe (ščetke, kablji, stikala, polnilni, vpenjalni glave itd.).
- 2) Orodja, ki so se poškodovala zaradi neupoštevanja navodil proizvajalca.
- 3) Orodja, ki so slabo vzdrževana.
- 4) Uporaba neustreznih maziv ali pripomočkov.
- 5) Orodja, ki so bila brezplačno dana tretjim osebam.
- 6) Poškodbe zaradi električnega priključka pri napetosti, ki ni navedena na ploščici naprave.
- 7) Priključitev na neozemljeno električno omrežje.
- 8) Sprememba trenutne napetosti.
- 9) Poškodbe zaradi uporabe slane vode (npr. pralni stroji, črpalke).
- 10) Poškodba ali okvara, ki je posledica nepravilnega postopka čiščenja orodja.
- 11) Stik orodja s kemikalijami ali poškodbe zaradi vlage ali korozije.
- 12) Orodje, ki ga je spremenilo ali odprlo nepooblaščen osebe.
- 13) Pokvarjeni deli/komponente zaradi neustrezne uporabe.
- 14) Orodja, ki se uporabljajo za najem.

Garancija zajema le brezplačno zamenjavo sestavnega dela, pri katerem se pokaže proizvodna napaka ali okvara materiala. V primeru pomanjkanja določenega rezervnega dela si podjetje pridržuje pravico, da orodje zamenja z drugim ustreznim modelom. Po zaključku vseh garancijskih postopkov se garancijski rok orodja ne podaljša ali obnovi. Za zamenjavo nadomestnega dela z nadomestilom za popravilo velja enoletna garancija za dobro delovanje, če so izpolnjeni garancijski pogoji. Zamenjani nadomestni deli ali orodje ostanejo v lasti našega podjetja. Zahteve, ki niso navedene v tem garancijskem obrazcu, v zvezi s popravilom električnih orodij ali njihovih poškodb, ne veljajo. Za to garancijo velja grška zakonodaja in sorodni predpisi.

## GARANCIJE

SR

Električni alati su proizvedeni prema strogim standardima koje je postavila naša kompanija a koji su usklađeni sa odgovarajućim evropskim standardima kvaliteta. Električni alati naše kompanije imaju garantni rok od 24 meseca za neprofesionalnu upotrebu, 12 meseci za profesionalnu upotrebu i 12 meseci za baterije i punjače. Garancija važi od dana kupovine proizvoda. Dokaz za pravo na garanciju je dokument o kupovini električnog alata (maloprodajni račun ili faktura). Ni pod kojim okolnostima kompanija neće pokriti relevantne troškove rezervnih delova i potrebno odgovarajuće radno vreme ako se ne predoči kopija dokumenta o kupovini. U slučaju da popravku treba da uradi naš servis, troškove transporta (do i od) u potpunosti snosi pošiljalac (klijent). Električni alati za popravku se šalju u firmu gde su kupljeni ili u ovlašćeni servis i to tako da budu prikladno upakovani za transport.

### IZUZEĆA I OGRANIČENJA GARANCIJE:

- 1) Rezervni delovi koji se prirodno troše kao posledica korišćenja (četkice, kablovi, prekidači, punjači, stezne glave itd).
- 2) Alati oštećeni kao posledica nepoštovanja uputstva proizvođača.
- 3) Alati su loše održavani.
- 4) Upotreba neodgovarajućih maziva ili pribora.
- 5) Alati su dati trećim licima besplatno.
- 6) Oštećenje usled električnog priključka na napon koji nije naznačen na pločici uređaja.
- 7) Povezivanje na neuzemljeno napajanje.
- 8) Promena napona struje.
- 9) Oštećenja nastala upotrebom slane vode (npr. mašine za pranje veša, pumpe).
- 10) Oštećenje ili kvar nastao kao posledica nepravilne procedure čišćenja alata.
- 11) Kontakt alata sa hemikalijama ili oštećenje usled vlage ili korozije.
- 12) Alati koje je modifikovalo ili otvorilo neovlašćeno osoblje.
- 13) Polomljeni delovi/komponente kao rezultat neodgovarajuće upotrebe.
- 14) Alati koji se koriste za iznajmljivanje.

Garancija pokriva samo besplatnu zamenu komponente koja ima fabričku grešku ili materijalne nedostatke. U slučaju nedostatka rezervnog dela, kompanija zadržava pravo zamene električnog alata drugim odgovarajućim modelom. Nakon isteka garantnog roka, garantni rok električnog alata se ne produžava niti obnavlja. Rezervni delovi ili Električni alati koji su zamenjeni ostaju u posedu naše kompanije. Zamena rezervnog dela, zajedno sa naplatom popravke, pokrivena je garancijom za 1 godinu dobrog rada, koja podleže poštovanju uslova garancije. Zahtevi, osim onih navedenih u ovom obrascu garancije, u vezi sa popravkom električnog alata ili njegovim oštećenjem ne važe. Na ovu garanciju se primenjuju grčki zakoni i odgovarajući propisi.

## ZÁRUKA

SK

Elektrické náradie bolo vyrobené podľa prísnych noriem stanovených našou spoločnosťou, ktoré sú v súlade s príslušnými európskymi normami kvality. Na elektrické náradie našej spoločnosti poskytujeme záruku 24 mesiacov na neprofesionálne použitie, 12 mesiacov na profesionálne použitie a 12 mesiacov na nabíjačky a batérie. Záruka platí od dátumu zakúpenia výrobku. Dokladom o nároku na záruku je doklad o kúpe náradia (maloobchodný doklad alebo faktúra). Spoločnosť v žiadnom prípade neuhradí príslušné náklady na náhradné diely a príslušné požadované pracovné hodiny, ak nie je predložená kópia dokladu o kúpe. V prípade, že opravu musí vykonať naše servisné oddelenie, náklady na dopravu (tam a späť) znáša v plnej miere odosielateľ (zákazník). Náradie musí byť zaslané na opravu do spoločnosti alebo do autorizovaného servisu vhodným spôsobom a dopravným prostriedkom.

### VÝNIMKY A OBMEDZENIA TÝKAJÚCE SA ZÁRUKY:

- 1) Náhradné diely, ktoré sa prirodzene opotrebojú v dôsledku používania (kefky, káble, spínače, nabíjačky, skľučovadlá atď.).
- 2) Náradie poškodené v dôsledku nedodržania pokynov výrobcu.
- 3) Náradie nedostatočne udržiavané.
- 4) Používanie nevhodných mazív alebo príslušenstva.
- 5) Náradie poskytnuté tretím subjektom bezplatne.
- 6) Poškodenie v dôsledku elektrického pripojenia na iné napätie, ako je uvedené na štítku spotrebiča.
- 7) Pripojenie k neuzemnenému zdroju napájania.
- 8) Zmena aktuálneho napätia.
- 9) Poškodenie v dôsledku používania slanej vody (napr. práčky, čerpadlá).
- 10) Poškodenie alebo porucha vyplývajúca z nesprávneho postupu čistenia nástroja.
- 11) Kontakt nástroja s chemikáliami alebo poškodenie v dôsledku vlhkosti alebo korozie.
- 12) Nástroje, ktoré boli upravené alebo otvorené neoprávneným personálom.
- 13) Poškodené diely/komponenty v dôsledku nevhodného používania.
- 14) Náradie používané na prenájom.

Záruka sa vzťahuje len na bezplatnú výmenu súčiastky, ktorá vykazuje výrobnú vadu alebo poruchu materiálu. V prípade nedostatku konkrétneho náhradného dielu si spoločnosť vyhradzuje právo vymeniť náradie za iný zodpovedajúci model. Po ukončení všetkých záručných postupov sa záručná doba náradia nepredlžuje ani neobnovuje. Na výmenu náhradného dielu s poplatkom za opravu sa vzťahuje 1-ročná záruka na dobrú prevádzku pri dodržaní záručných podmienok. Vymenené náhradné diely alebo náradie zostávajú vo vlastníctve našej spoločnosti. Iné požiadavky, ako sú uvedené v tomto záručnom formulári, týkajúce sa opravy elektrického náradia alebo jeho poškodenia, sa neuplatňujú. Na túto záruku sa vzťahujú grécke zákony a príslušné predpisy.

## ГARANЦИЯ

### BG

Електроинструментите са произведени в съответствие със строги стандарти, установени от нашата компания, които са в съответствие със съответните европейски стандарти за качество. Електроинструментите на нашата компания се предоставят с гаранционен срок от 24 месеца за непрофесионална употреба, 12 месеца за професионална употреба и 12 месеца за зарядни устройства и батерии. Гаранцията е валидна от датата на закупуване на продукта. Доказателство за правото на гаранция е документът за закупуване на инструмента (касова бележка от магазин или фактура). В никакъв случай компанията не покрива съответните разходи за резервни части и съответните необходими работни часове, ако не бъде представено копие от документа за покупка. В случай че ремонтът трябва да бъде извършен от нашия сервизен отдел, разходите за транспорт (до и от) се поемат изцяло от изпращача (клиента). Инструментите трябва да бъдат изпратени за ремонт в компанията или в оторизиран сервиз по подходящ начин и с подходящо транспортно средство.

#### ОСВОБОЖДАВАНЕ ОТ ГАРАНЦИЯ И ОГРАНИЧЕНИЯ:

- 1) Резервни части, които се износват по естествен начин вследствие на използването им (четки, кабели, ключове, зарядни устройства, патронници и др.).
- 2) Инструменти, повредени в резултат на неспазване на инструкциите на производителя.
- 3) Инструменти, които са лошо поддържани.
- 4) Използване на неподходящи смазочни материали или принадлежности.
- 5) Инструменти, предоставени безплатно на трети лица.
- 6) Повреди вследствие на електрическа връзка с напрежение, различно от посоченото на табелката на уреда.
- 7) Свързване към незаземено електрозахранване.
- 8) Промяна на напрежението на тока.
- 9) Повреда в резултат на използването на солена вода (напр. перални машини, помпи).
- 10) Повреда или неизправност в резултат на неправилна процедура за почистване на инструмента.
- 11) Контакт на инструмента с химикали или повреда в резултат на влага или корозия.
- 12) Инструменти, които са били модифицирани или отворени от неупълномощен персонал.
- 13) Счупени части/компоненти в резултат на неподходяща употреба.
- 14) Инструменти, използвани под наем.

Гаранцията покрива само безплатната подмяна на компонента, който представя производствен дефект или повреда на материала. В случай на липса на конкретна резервна част компанията си запазва правото да замени инструмента с друг съответен модел. След приключване на всички гаранционни процедури гаранционният срок на инструмента не се удължава или подновява. Замяната на резервна част с такса за ремонт се покрива от 1-годишна гаранция за добра експлоатация, при спазване на гаранционните условия. Заменените резервни части или инструменти остават във владение на нашата компания. Изисквания, различни от посочените в този гаранционен формуляр, относно ремонта на електроинструменти или повредите по тях, не се прилагат. Гръцкото законодателство и съответните разпоредби се прилагат към тази гаранция.

## GARANȚIE

### RO

Uneltele electrice au fost fabricate în conformitate cu standarde stricte, stabilite de compania noastră, care sunt aliniate la standardele de calitate europene respective. Uneltele electrice ale companiei noastre sunt prevăzute cu o perioadă de garanție de 24 de luni pentru uz neprofesional, 12 luni pentru uz profesional și 12 luni pentru încărcătoare și baterii. Garanția este valabilă de la data achiziționării produsului. Dovada dreptului de garanție este documentul de achiziție a sculei (bon de casă sau factură). În niciun caz societatea nu va acoperi costurile relevante ale pieselor de schimb și ale orelor de lucru necesare respective dacă nu este prezentată o copie a documentului de achiziție. În cazul în care reparația trebuie efectuată de către departamentul nostru de service, costul transportului (dus-întors) este suportat în întregime de către expeditor (client). Unelte trebuie trimise pentru reparații la companie sau la un atelier autorizat în mod și cu mijloace de transport adecvate.

#### SCUTIRI ȘI RESTRIȚII DE GARANȚIE:

- 1) Piese de schimb care se uzează în mod natural ca urmare a utilizării (perii, cabluri, întrerupătoare, încărcătoare, mandrine etc.).
- 2) Unelte deteriorate ca urmare a nerespectării instrucțiunilor producătorului.
- 3) Unelte prost întreținute.
- 4) Utilizarea de lubrifiant și/sau accesorii necorespunzătoare.
- 5) Unelte oferite gratuit unor terțe entități.
- 6) Deteriorări datorate unei conexiuni electrice la o altă sursă decât cea indicată pe plăcuța aparatului.
- 7) Conectarea la o sursă de alimentare electrică delegată la pământ.
- 8) Schimbarea tensiunii de curent.
- 9) Deteriorări rezultate din utilizarea apei sărate (de exemplu, mașini de spălat, pompe).
- 10) Deteriorări sau defecțiuni rezultate în urma unei proceduri de curățare necorespunzătoare a aparatului.
- 11) Contactul sculei cu substanțe chimice sau deteriorări ca urmare a umidității sau coruziunii.
- 12) Unelte care au fost modificate sau deschise de către personal neautorizat.
- 13) Piese/componente rupte ca urmare a unei utilizări necorespunzătoare.
- 14) Unelte utilizate pentru închiriere.

Garanția acoperă numai înlocuirea gratuită a componentei care prezintă un defect de fabricație sau o defecțiune materială. În cazul lipsei unei piese de schimb specifice, societatea își rezervă dreptul de a înlocui scula cu un alt model corespunzător. După încheierea tuturor procedurilor de garanție, perioada de garanție a sculei nu se prelungește sau se reinnoiește. Înlocuirea unei piese de schimb cu taxă de reparație este acoperită de o garanție de 1 an de bună funcționare, sub rezerva respectării condițiilor de garanție. Piese de schimb sau sculele înlocuite rămân în posesia societății noastre. Nu se aplică cerințe, altele decât cele menționate în acest formular de garanție, privind repararea sculelor electrice sau deteriorarea acestora. Legea greacă și reglementările aferente se aplică acestei garanții.

## ГARANЦИЈА

### MMK

Електрични алатки се произведени според строги стандарти, поставени од нашата компанија, кои се усогласени со соодветните европски стандарти за квалитет. Електрични алатки на нашата компанија се обезбедени со гаранција од 24 месеци за непрофесионална употреба, 12 месеци за професионална употреба и 12 месеци за полначи и батерии. Гаранцијата важи од датумот на купување на производот. Доказ за гаранциското право е документот за купување на алатката (малопродажна потврда или фактура). Под никакви околности компанијата нема да ги покрие соодветните трошоци за резервни делови и соодветно потребно работно време, освен ако не се претстави копија од документот за купување. Во случај поправката да мора да биде направена од нашиот сервизен оддел трошоците за превоз (до и од) е целосно задолжена од испраќачот (клиентот). Алатките мора да бидат испратени за поправка на компанијата или на овластена работилница на соодветен начин и транспортни средства.

#### ОСЛОБОДУВАЊА И ОГРАНИЧУВАЊА НА ГАРАНЦИЈАТА:

- 1) Резервни делови кои се носат природно како последица на користење (четки, кабли, прекинувачи, полначи, футери итн.).
- 2) Алатки оштетени како резултат на непочитување на инструкциите на производителот.
- 3) Алатките слабо се одржуваат.
- 4) Употреба на неправилно лубриканти или додатоци.
- 5) Алатки дадени на трети ентитети бесплатно.
- 6) Оштетување поради електрично поврзување на напон поинаку од оној што е наведен на плочата на апаратот.
- 7) Поврзување со неземеен напој.
- 8) Промена на напонот на струјата.
- 9) Оштетување како резултат на употребата на солена вода (на пример, машини за перење, пумпи).
- 10) Оштетување или нефункционирање како резултат на неправилно чистење на алатката.
- 11) Контакт на алатката со хемикали, или оштетување како резултат на влага или корозија.
- 12) Алатки кои биле модифицирани или отворени од страна на неовластениот персонал.
- 13) Скршени делови/компоненти како резултат на несоодветна употреба.
- 14) Алатки кои се користат за изнајмување.

Гаранцијата покрива само бесплатна замена на компонентата која претставува производствен дефект или материјален неуспех. Во случај на недостаток на одреден резервен дел, компанијата го задржува правото да ја замени алатката со друг соодветен модел. По завршувањето на сите процедури за гаранција, гарантниот период на алатката не се продолжува или обновува. Замената на резервниот дел со наплата за поправка е покриена со 1 година гаранција за добро работење, под услов да се усогласат условите за гаранција. Резервните делови или алатки кои се заменети остануваат во сопственост на нашата компанија. Барањата, освен оние споменати во оваа гаранција, во врска со поправката или оштетувањето на електрични алатки, не важат. Грчкото право и релативните регулативи важат за оваа гаранција.

## GARANCIA

### HUN

Az elektromos szerszámok gyártása a vállalatunk által meghatározott szigorú szabványok szerint történik, amelyek összhangban vannak a vonatkozó európai minőségi szabványokkal. Cégünk elektromos szerszámaira nem professzionális használat esetén 24 hónap, professzionális használat esetén 12 hónap, a töltőkre és akkumulátorokra pedig 12 hónap garanciát vállalunk. A garancia a termék megvásárlásának napjától érvényes. A jótállási jog igazolása a szerszám vásárlását igazoló dokumentum (kiskereskedelmi blokk vagy számla). A vállalat semmilyen körülmények között nem fedezi a pótalkatrészek és a megfelelő szükséges munkórák vonatkozó költségeit, ha nem mutatják be a vásárlási dokumentum másolatát. Amennyiben a javítást szervizünknek kell elvégeznie, a szállítás (oda- és visszaszállítás) költségei teljes egészében a feladót (ügyfelet) terhelik. A szerszámokat javításra a megfelelő módon és szállítóeszközzel kell elküldeni a vállalathoz vagy egy erre felhatalmazott műhelybe.

#### GARANCIÁLIS MENTESSÉGEK ÉS KORLÁTOZÁSOK:

- 1) A használat következtében természetes módon elhasználódó pótalkatrészek (kefék, kábelek, kapcsolók, töltők, tokmányok stb.).
- 2) A gyártó utasításainak be nem tartása következtében sérült szerszámok.
- 3) Rosszul karbantartott szerszámok.
- 4) Nem megfelelő kenőanyagok vagy tartozékok használata.
- 5) Harmadik személyeknek ingyenesen átadott szerszámok.
- 6) A készüléktáblán feltüntetettől eltérő feszültségű elektromos csatlakozásból eredő károk.
- 7) Nem földelt áramforráshoz való csatlakoztatás.
- 8) Az áram feszültségének megváltozása.
- 9) Sós víz használatából eredő károk (pl. mosógépek, szivattyúk).
- 10) A készülék nem megfelelő tisztítási eljárásából eredő károsodás vagy meghibásodás.
- 11) A szerszám vegyi anyagokkal való érintkezése, vagy nedvességből vagy korrózióból eredő károsodás.
- 12) Olyan szerszámok, amelyeket illetéktelen személyek módosítottak vagy nyitottak fel.
- 13) A nem rendeltetésszerű használat következtében eltört alkatrészek/komponensek.
- 14) Bérbeadásra használt szerszámok.

A garancia csak a gyártási hibát vagy anyaghibát mutató alkatrész ingyenes cseréjére terjed ki. Egy adott pótalkatrész hiánya esetén a vállalat fenntartja a jogot, hogy a szerszámot egy másik megfelelő modellre cserélje. Az összes garanciális eljárás lezárását követően a szerszám garanciális ideje nem hosszabbítható meg és nem újítható meg. A javítási díjjal terhelt pótalkatrész cseréjére 1 év jótállás vonatkozik, a jótállási feltételek betartása mellett. A kicserélt pótalkatrészek vagy szerszámok cégünk tulajdonában maradnak. Az elektromos szerszámok javítására vagy sérülésére vonatkozó, a jelen jótállási nyilatkozatban említetteltől eltérő követelmények nem érvényesek. A jelen jótállásra a görög törvények és a vonatkozó előírások vonatkoznak.

## GARANZIJA

MLT

L-ghodod tal-enerġija ġew manifatturati skont standards stretti, stabbiliti mill-kumpanija tagħna, li huma allinjati mal-istandards ta' kwalità Ewropej rispettivi. L-ghodod tal-enerġija tal-kumpanija tagħna huma pprovduti b'perjodu ta' 24 xahar għal użu mhux professjonali, 12-il xahar għal użu professjonali u 12-il xahar għal ċarġers u batteriji. Il-garanzija hija valida mid-data tax-xiri tal-prodott. Prova tad-dritt tal-garanzija hija d-dokument tax-xiri tal-ghodda (irċevuta jew fattura bl-innut). Taht l-ebda ċirkostanza l-kumpanija m'għandha tkopri l-ispiża rilevanti tal-ispare parts u s-siġhat tax-xogħol rispettivi meħtieġa sakemm ma tiġix ipprezentata kopja tad-dokument tax-xiri. F'każ li t-tiswija trid issir mid-dipartiment tas-servizz tagħna, l-ispiża tat-trasport (lejn u minn) tiffallas kollha kemm hi mill-mittent (klijent). L-ghodda għandha tintbagħat għat-tiswija lill-kumpanija jew lil hanut tax-xogħol awtorizzat bil-mod u l-mezzi tat-trasport xierqa.

### EŻENZIONIJET U RESTRIZZIONIJET TA' GARANZIJA:

- 1) Spare parts li jilbsu b'mod naturali bħala konsegwenza tal-użu (xkupilji, kejbils, swiċċijiet, ċarġers, cakkijiet eċċ.).
- 2) Ghodod bil-ħsara bħala riżultat ta' nuqqas ta' konformità mal-istruzzjonijiet tal-manifattur.
- 3) Ghodod miżmuma hażin.
- 4) Użu ta' lubrikanti jew aċċessorji mhux xierqa.
- 5) Ghodod mogħtija lil entitajiet terzi mingħajr ħlas.
- 6) Danni dovuti għal konnessjoni elettrika b'vultaġġ differenti minn dak indikat fuq il-panja tal-apparat.
- 7) Konnessjoni ma' provvista ta' enerġija mhux ertjata.
- 8) Bidla fil-vultaġġ kurrenti.
- 9) Ħsara li tirriżulta mill-użu ta' ilma mlielħ (eż., magni tal-ħasil tal-hwejjeġ, pompi).
- 10) Ħsara jew ħsara li tirriżulta minn proċedura ta' tindif mhux xierqa tal-ghodda.
- 11) Kuntatt ta' l-ghodda ma' kimiċi, jew ħsara bħala riżultat ta' umdiċi jew korrużjoni.
- 12) Ghodod li ġew modifikati jew miftuħa minn persunal mhux awtorizzat.
- 13) Partijiet/komponenti miksura bħala riżultat ta' użu mhux xierqa.
- 14) Ghodod użati għall-kera.

Il-garanzija tkopri biss is-sostituzzjoni mingħajr ħlas tal-komponent li jipprezenta difett fil-manifattura jew ħsara materjali. F'każ ta' nuqqas ta' spare part speċifika, il-kumpanija tirriżerva d-dritt li tissostitwixxi l-ghodda b'modell korrispondenti ieħor. Wara li jkun ġew konklużi l-proċeduri kollha ta' garanzija, il-perjodu ta' garanzija tal-ghodda ma għandux jiġi estżi jew imgedded. Is-sostituzzjoni ta' spare part bil-ħlas tat-tiswija hija koperta minn garanzija ta' sena ta' operazzjoni tajba, soġġett għall-konformità mat-termini tal-garanzija. L-ispare parts jew ghodod li jiġu sostitwiti jibqgħu fil-pussess tal-kumpanija tagħna. Rekwiżiti, minbarra dawk imsemmija f'din il-formola ta' garanzija, rigward it-tiswija ta' ghodod tal-enerġija jew ħsara tagħhom, ma japplikawx. Il-liġi Griega u r-regolamenti relattivi japplikaw għal din il-garanzija.

## GARANTÍA

ES

Las herramientas eléctricas han sido fabricadas de acuerdo con estrictas normas, establecidas por nuestra empresa, que están alineadas con las respectivas normas de calidad europeas. Las herramientas eléctricas de nuestra empresa tienen un período de garantía de 24 meses para uso no profesional, 12 meses para uso profesional y 12 meses para cargadores y baterías. La garantía es válida a partir de la fecha de compra del producto. La prueba del derecho de garantía es el documento de compra de la herramienta (ticket de compra o factura). La empresa no se hará cargo en ningún caso del coste de las piezas de recambio y de las respectivas horas de trabajo necesarias si no se presenta una copia del documento de compra. En caso de que la reparación tenga que ser realizada por nuestro departamento de servicio, el coste del transporte (ida y vuelta) correrá íntegramente a cargo del remitente (cliente). Las herramientas deberán ser enviadas para su reparación a la empresa o a un taller autorizado en la forma y medio de transporte adecuados.

### EXENCIONES Y RESTRICCIONES DE LA GARANTÍA:

- 1) Piezas de recambio que se desgasten de forma natural como consecuencia de su uso (escobillas, cables, interruptores, cargadores, mandriles, etc.).
- 2) Herramientas dañadas como consecuencia del incumplimiento de las instrucciones del fabricante.
- 3) Herramientas mal mantenidas.
- 4) Utilización de lubricantes o accesorios inadecuados.
- 5) Herramientas cedidas gratuitamente a terceros.
- 6) Daños debidos a una conexión eléctrica a una tensión distinta de la indicada en la placa del aparato.
- 7) Conexión a una fuente de alimentación no puesta a tierra.
- 8) Cambio de la tensión de corriente.
- 9) Daños debidos al uso de agua salada (por ejemplo, lavadoras, bombas).
- 10) Daños o mal funcionamiento resultantes de un procedimiento de limpieza inadecuado de la herramienta.
- 11) Contacto de la herramienta con productos químicos, o daños como consecuencia de la humedad o la corrosión.
- 12) Herramientas que hayan sido modificadas o abiertas por personal no autorizado.
- 13) Piezas/componentes rotos como consecuencia de un uso inadecuado.
- 14) Herramientas utilizadas en alquiler.

La garantía cubre únicamente la sustitución gratuita del componente que presente un defecto de fabricación o fallo de material. En caso de falta de un repuesto específico, la empresa se reserva el derecho de sustituir la herramienta por otro modelo correspondiente. Una vez concluidos todos los procedimientos de garantía, el período de garantía de la herramienta no se ampliará ni renovará. La sustitución de una pieza de recambio con cargo de reparación está cubierta por una garantía de 1 año de buen funcionamiento, siempre que se cumplan las condiciones de la garantía. Las piezas de recambio o herramientas sustituidas permanecen en posesión de nuestra empresa. No se aplican otros requisitos, distintos de los mencionados en este formulario de garantía, en relación con la reparación de herramientas eléctricas o sus daños. La ley griega y las normativas relativas se aplican a esta garantía.

## GARANCIJE

HR

Električni alati proizvedeni su prema strogim standardima, koje je postavila naša tvrtka i usklađeni su s odgovarajućim europskim standardima kvalitete. Električni alati naše tvrtke dolaze s jamstvom od 24 mjeseca za neprofesionalnu upotrebu, 12 mjeseci za profesionalnu upotrebu i 12 mjeseci za baterije i punjače. Jamstvo vrijedi od dana kupnje proizvoda. Dokaz o jamstvenom pravu je dokument o nabavi alata (potvrda o prodaji ili faktura). Tvrtka ni pod kojim uvjetima neće pokriti troškove rezervnih dijelova i potrebnih radnih sati ako kopija dokumenta o nabavi nije predočena. Ako popravak treba obaviti naša postprodajna služba, troškovi prijevoza (povratno putovanje) u potpunosti su odgovornost pošiljatelja (kupca). Alati se moraju poslati na popravak tvrtki ili ovlaštenoj radionici na odgovarajući način i odgovarajućim prijevoznim sredstvima.

### IZUZEĆA I OGRANIČENJA JAMSTVA:

- 1) Rezervni dijelovi koji se prirodno istroše nakon uporabe (metla, kabeli, prekidači, punjači, stezne glave itd.).
- 2) Alati oštećeni kao rezultat nepoštivanja uputa proizvođača.
- 3) Loše održavani alati.
- 4) Upotreba nepravilnih maziva ili pribora.
- 5) Alati koji se besplatno daju trećim stranama.
- 6) Oštećenja zbog nepravilnog električnog priključka ili napona različitog od onog navedenog na pločici uređaja.
- 7) Priključak na nezemaljsko napajanje.
- 8) Neprihvatljiva fluktuacija napona.
- 9) Oštećenja nastala uporabom slane vode (npr. perilice rublja, pumpe).
- 10) Oštećenja ili kvarovi koji su posljedica nepravilnog postupka čišćenja uređaja.
- 11) Kontakt alata s kemikalijama ili oštećenja nastala vlagom ili korozijom.
- 12) Alati koje je modificiralo ili otvorilo neovlašteno osoblje.
- 13) Slomljeni dijelovi/komponente kao rezultat neprikladne uporabe.
- 14) Alati koji se koriste za iznajmljivanje.

Jamstvo pokriva samo besplatnu zamjenu komponente koja ima proizvodni nedostatak ili kvar hardvera. U slučaju da nedostaje određeni rezervni dio, tvrtka zadržava pravo zamijeniti alat drugim odgovarajućim modelom. Nakon završetka svih jamstvenih postupaka, jamstveni rok alata neće se produžiti ili obnoviti. Zamjena rezervnog dijela, kao i troškovi popravka, pokriveni su jednogodišnjim jamstvom na dobro funkcioniranje, uz poštivanje jamstvenih uvjeta. Rezervni dijelovi ili zamijenjeni alati ostaju u posjedu naše tvrtke. Zahtjevi, osim onih navedenih u ovom jamstvenom obrascu, koji se odnose na popravak električnih alata ili njihovo oštećenje, ne primjenjuju se. Grčko pravo i njegovi propisi primjenjuju se na ovo jamstvo.

## GWARANCJA

PL

Elektronarzędzia zostały wyprodukowane zgodnie z rygorystycznymi normami ustalonymi przez naszą firmę, które są zgodne z odpowiednimi europejskimi normami jakości. Elektronarzędzia naszej firmy są objęte 24-miesięcznym okresem gwarancyjnym w przypadku użytku profesjonalnego, 12-miesięcznym okresem gwarancyjnym w przypadku użytku profesjonalnego oraz 12-miesięcznym okresem gwarancyjnym w przypadku ładowarek i akumulatorów. Gwarancja jest ważna od daty zakupu produktu. Dowodem prawa do gwarancji jest dokument zakupu narzędzia (paragon lub faktura). W żadnym wypadku firma nie pokryje odpowiednich kosztów części zamiennych i wymaganych godzin pracy, jeśli nie zostanie przedstawiona kopia dokumentu zakupu. W przypadku, gdy naprawa musi zostać wykonana przez nasz dział serwisowy, koszt transportu (do i z) jest w całości ponoszony przez nadawcę (klienta). Narzędzia muszą zostać wysłane do naprawy do firmy lub autoryzowanego warsztatu w odpowiedni sposób i środkami transportu.

### WYŁĄCZENIA I OGRANICZENIA GWARANCJI:

- 1) Części zamienne, które zużywają się w sposób naturalny w wyniku użytkowania (szczotki, kable, przełączniki, ładowarki, uchwyty itp.)
- 2) Narzędzia uszkodzone w wyniku nieprzestrzegania instrukcji producenta.
- 3) Narzędzia źle konserwowane.
- 4) Używanie niewłaściwych smarów lub akcesoriów.
- 5) Narzędzia przekazane nieodpłatnie osobom trzecim.
- 6) Uszkodzenia spowodowane podłączeniem elektrycznym o napięciu innym niż wskazane na tabliczce znamionowej urządzenia.
- 7) Podłączenie do niezziemionego źródła zasilania.
- 8) Zmiana napięcia prądu.
- 9) Uszkodzenia wynikające z używania słonej wody (np. pralki, pompy).
- 10) Uszkodzenia lub nieprawidłowe działanie wynikające z niewłaściwego czyszczenia urządzenia.
- 11) Kontakt narzędzia z chemikaliami lub uszkodzenie w wyniku wilgoci lub korozji.
- 12) Narzędzia, które zostały zmodyfikowane lub otwarte przez nieupoważniony personel.
- 13) Uszkodzone części/elementy w wyniku niewłaściwego użytkowania.
- 14) Narzędzia używane do wynajmu.

Gwarancja obejmuje wyłącznie bezpłatną wymianę komponentu, który wykazuje wadę produkcyjną lub awarię materiałową. W przypadku braku określonej części zamiennej firma zastrzega sobie prawo do wymiany narzędzia na inny odpowiedni model. Po zakończeniu wszystkich procedur gwarancyjnych okres gwarancji na narzędzie nie zostanie przedłużony ani odnowiony. Wymiana części zamiennej za opłatą za naprawę jest objęta roczną gwarancją dobrego działania, pod warunkiem przestrzegania warunków gwarancji. Wymienione części zamienne lub narzędzia pozostają w posiadaniu naszej firmy. Wymagania inne niż wymienione w niniejszym formularzu gwarancyjnym, dotyczące naprawy lub uszkodzenia elektronarzędzi, nie mają zastosowania. Do niniejszej gwarancji mają zastosowanie przepisy prawa greckiego i przepisy pokrewne.



The instructions manual is also available in digital format on our website  
[www.nikolaoutools.com](http://www.nikolaoutools.com). Find it by entering the product code in the Search "Q" field.

Μπορείτε να βρείτε τις οδηγίες χρήσης και σε ηλεκτρονική μορφή μέσω της ιστοσελίδας μας  
[www.nikolaoutools.com](http://www.nikolaoutools.com). Αναζητήστε τις με τον κωδικό προϊόντος στο πεδίο Αναζήτηση "Q".