



Apex 3



Apex 4

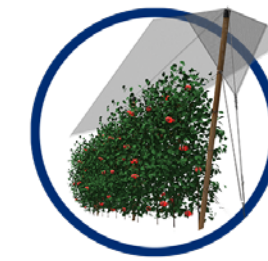


Apex 5

Applications



Viticulture



Fruit Growing



Wire Fencing

Product Specification

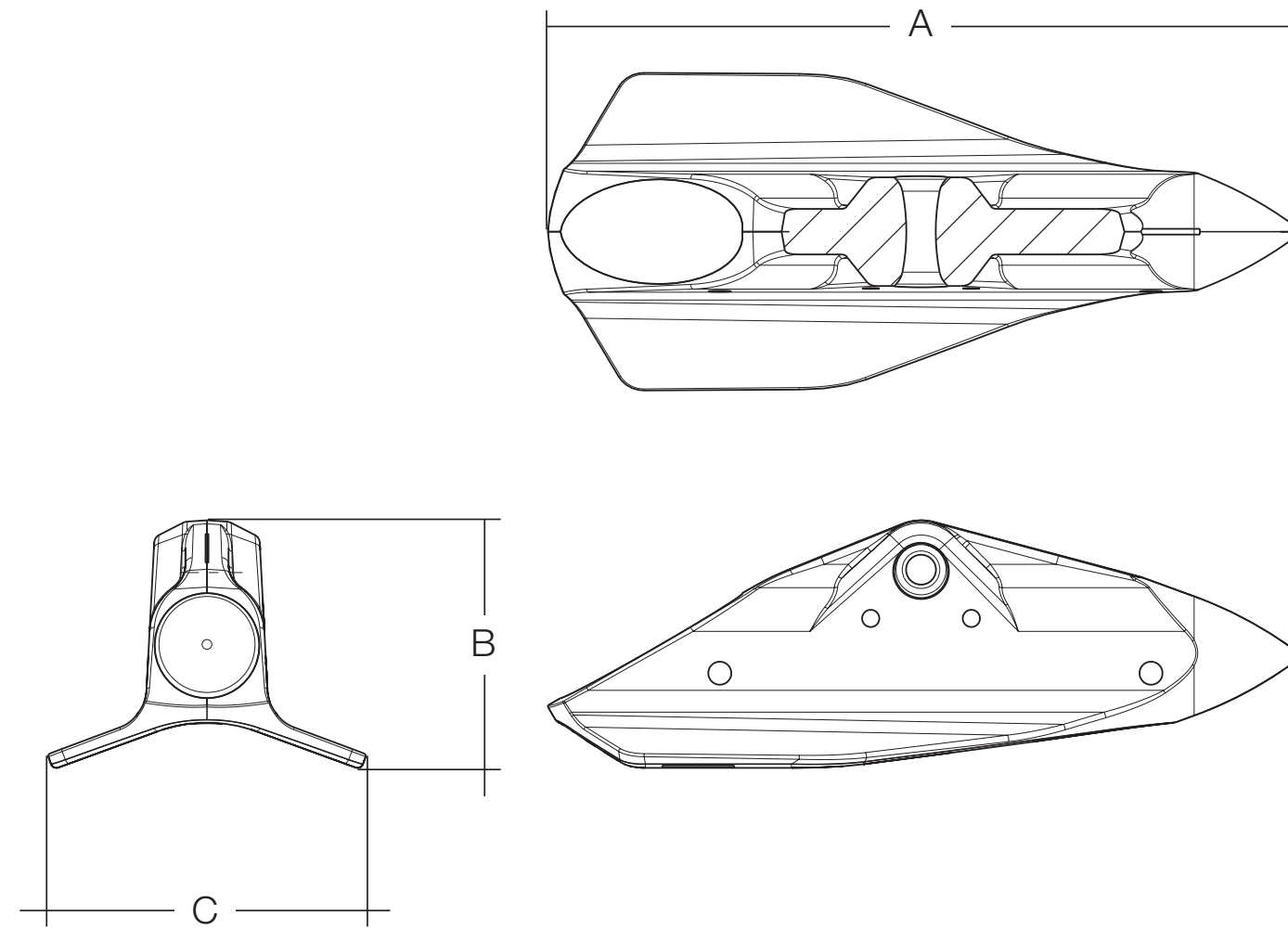
Tendon Load Rating

	Apex 3	Apex 4	Apex 5
Fiber Tendon	600 kg / 1,320 lbs	1,500 kg / 3,300 lbs	3,000 kg / 6,600 lbs
Wire Tendon	400 kg / 880 lbs	600 kg / 1,320 lbs	1,200 kg / 2,645 lbs
Rod Tendon	600 kg / 1,320 lbs	600 kg / 1,320 lbs	n/a

Materials

	Apex 3	Apex 4	Apex 5
Anchor Head	Zinc-Aluminium (Zn-AL)	Zinc-Aluminium (Zn-AL)	Aluminium Alloy (LM4)
Wire Tendon	Zinc-Aluminium (Zn-AL) Coated (3 mm / 1/8 in)	Zinc-Aluminium (Zn-AL) Coated (4 mm / 5/32 in)	Zinc-Aluminium (Zn-AL) Coated (8 mm / 5/16 in)
Fiber Tendon	High Tenacity Polyester Fiber (4.77 mm / 3/16 in)	High Tenacity Polyester Fiber (6.35 mm / 1/4 in)	High Tenacity Polyester Fiber (8.6 mm / 3/8 in)
Rod Tendon	Mild Steel (6 mm / 1/4 in)	Mild Steel (6 mm / 1/4 in)	n/a

Design & Dimensions



	Apex 3	Apex 4	Apex 5
A	120 mm / 4.7 in	170 mm / 6.6 in	260 mm / 10.2 in
B	33 mm / 1.3 in	43 mm / 1.6 in	110 mm / 4.3 in
C	41 mm / 1.6 in	62 mm / 2.4 in	86 mm / 3.3 in
Surface area	3,870 mm ² / 5.9 in ²	7,740 mm ² / 12 in ²	21,645 mm ² / 33.5 in ²

Maximum Anchor Performance

	Apex 3	Apex 4	Apex 5
Install Depth 0.9m/ 3'			
Very loose	105 kg / 230 lbs	197 kg / 430 lbs	612 kg / 1,340 lbs
Loose	173 kg / 380 lbs	315 kg / 690 lbs	963 kg / 2,100 lbs
Medium dense	487 kg / 1,070 lbs	796 kg / 1,750 lbs	2,503 kg / 5,500 lbs
Dense	1,184 kg / 2,605 lbs	1,548 kg / 3,405 lbs	4,877 kg / 10,700 lbs
Very dense	1,634 kg / 3,600 lbs	1,700 kg / 3,750 lbs	6,000 kg + / 13,400 lbs +
Install depth 1.5m/ 5'			
Very loose	152 kg / 335 lbs	323 kg / 710 lbs	918 kg / 2,000 lbs
Loose	279 kg / 615 lbs	534 kg / 1,175 lbs	1,444 kg / 3,185 lbs
Medium dense	845 kg / 1,860 lbs	1,525 kg / 3,350 lbs	3,755 kg / 8,279 lbs
Dense	2,271 kg / 4,995 lbs	3,765 kg / 8,285 lbs	7,316 kg / 16,100 lbs
Very dense	3,380 kg / 7,460 lbs	5,270 kg / 11,600 lbs	9,000 kg + / 20,000 lbs +

Packaging

Packing specifications - 0.9m / 3'

	Apex 3	Apex 4	Apex 5
Fibre Tendon			
Item weight	0.3 kg / 0.6 lbs	0.43 kg / 1.1 lbs	1.1 kg / 2.4 lbs
Box quantity	16	4	4
Box weight	4.6 kg / 10.1 lbs	1.72 kg / 4.4 lbs	4.4 kg / 9.6 lbs
Wire tendon			
Item weight	0.3 kg / 0.6 lbs	0.56 kg / 1.3 lbs	1.5 kg / 3.3 lbs
Box quantity	20	6	4
Box weight	5.9 kg / 13.0 lbs	3.4 kg / 7.4 lbs	6.0 kg / 13.2 lbs
Rod tendon			
Item weight	0.5 kg / 1.1 lbs	0.94 kg / 2.07 lbs	n/a
Box quantity	5	5	n/a
Box weight	2.58 kg / 5.6 lbs	4.72 kg / 10.36 lbs	n/a

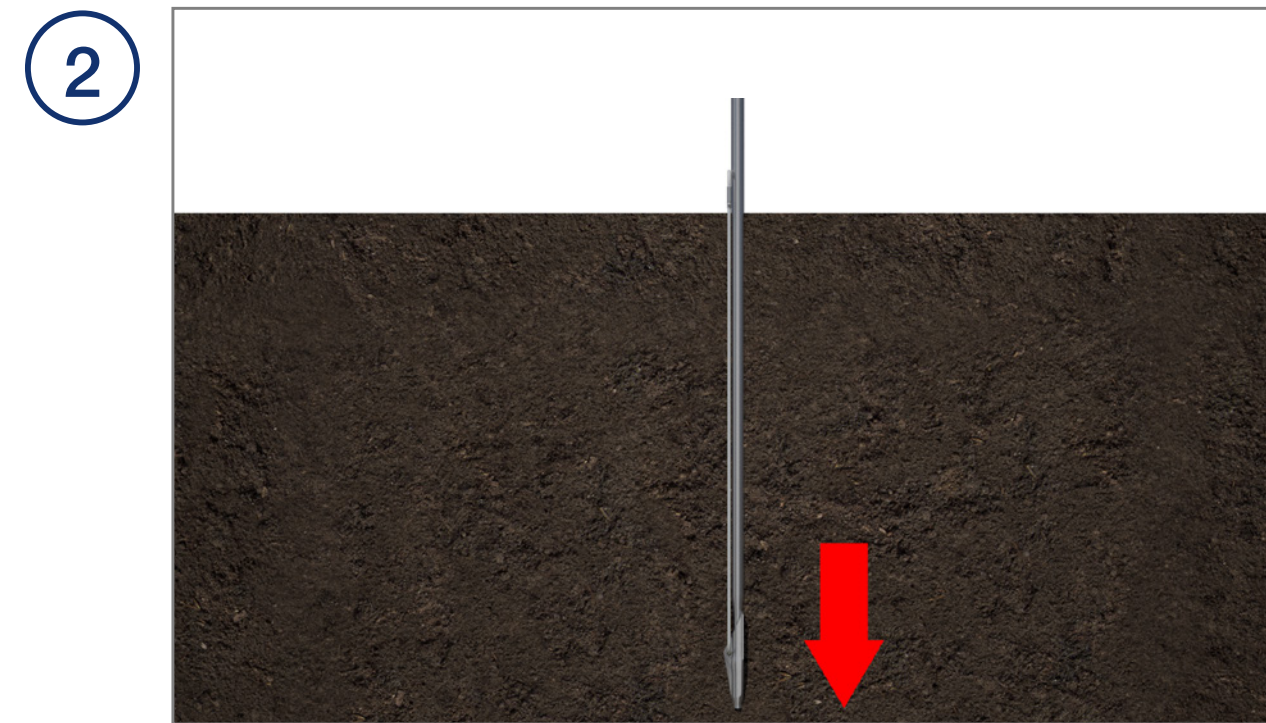
Packing specifications – 1.5m / 4.9'

	Apex 3	Apex 4	Apex 5
Fibre Tendon			
Item weight	0.32 kg / 0.7 lbs	0.53 kg / 1.2 lbs	1.20 kg / 2.6 lbs
Box quantity	16	4	4
Box weight	5.16 kg / 11.4 lbs	2.12 kg / 4.8 lbs	4.80 kg / 10.4 lbs
Wire tendon			
Item weight	0.31 kg / 0.7 lbs	0.66 kg / 1.45 lbs	1.7 kg / 3.5 lbs
Box quantity	12	6	4
Box weight	3.83 kg / 8.44 lbs	4.00 kg / 8.8 lbs	6.8 kg / 14.0 lbs

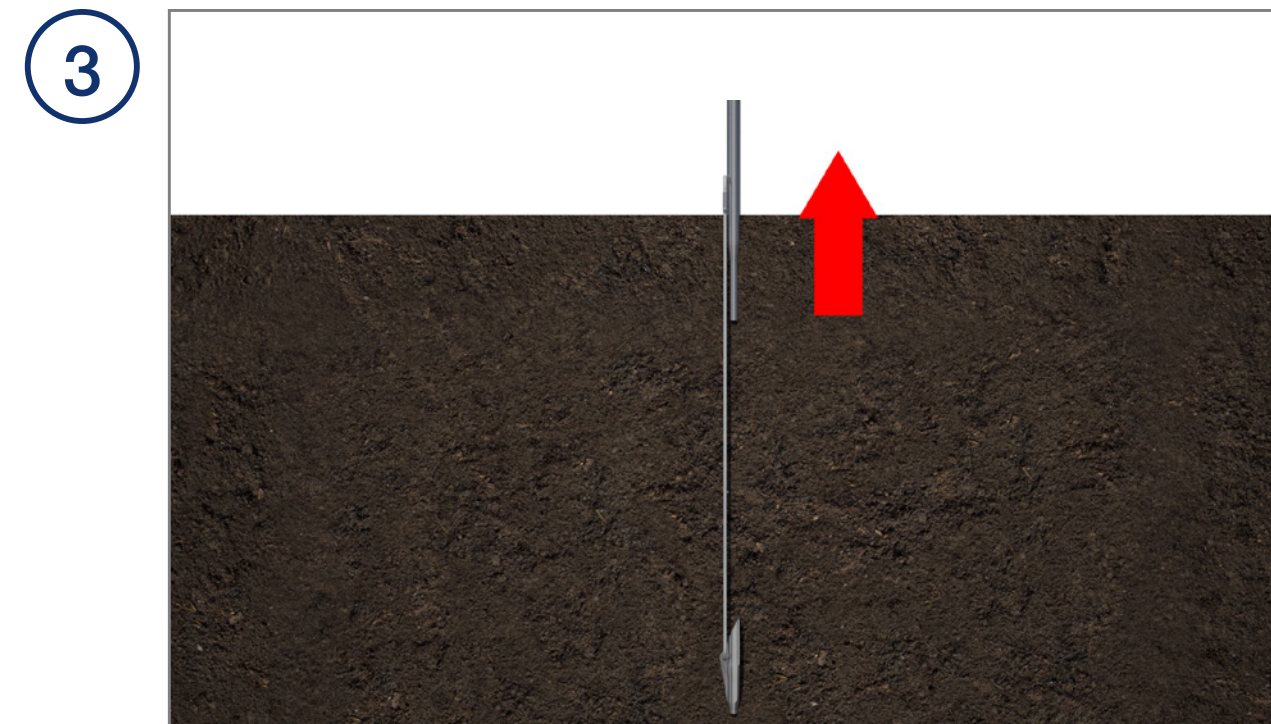
Installation



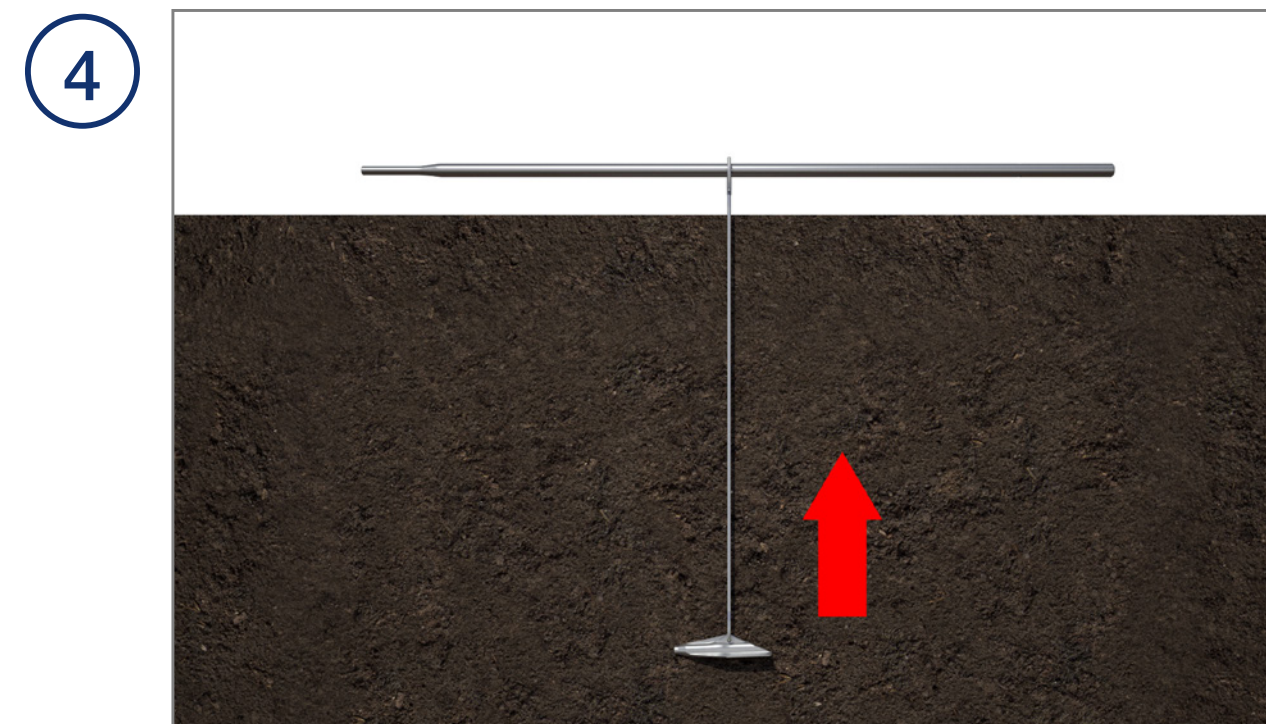
Insert Drive Tool into suitable APEX anchor.



Drive anchor to the required depth.



Remove Drive Tool.



Load the anchor using either a Jack-Jaw or other high performance load locking device.