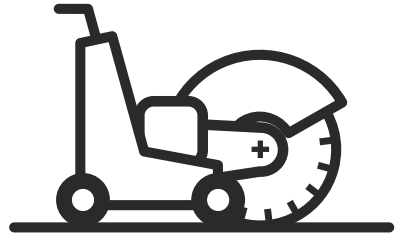




# Husqvarna®



## FS400LV

EN	Operator's manual
DE	Bedienungsanweisung
FR	Manuel d'utilisation
NL	Gebruiksaanwijzing

2-24
25-50
51-76
77-101

---

# Contents

---

Introduction.....	2	Transportation, storage and disposal.....	19
Safety.....	6	Technical data.....	20
Operation.....	10	Declaration of Conformity.....	23
Maintenance.....	16		

---

## Introduction

---

### Owner responsibility

---



**WARNING:** Processing of concrete and stone by methods such as cutting, grinding or drilling, especially during dry operation, generates dust that comes from the material being processed, which frequently contains silica. Silica is a basic component of sand, quartz, brick clay, granite and numerous other minerals and rocks. Exposure to excessive amount of such dust can cause:

Respiratory disease (affecting your ability to breathe), including chronic bronchitis, silicosis and pulmonary fibrosis from exposure to silica. These diseases may be fatal;

Skin irritation and rash.

Cancer according to NTP\* and IARC\* \*/ National Toxicology Program, International Agency for Research on Cancer.

Take precautionary steps:

Avoid inhalation of and skin contact with dust, mist and fumes.

Wear and ensure that all bystanders wear appropriate respiratory protection such as dust masks designed to filter out microscopic particles. (See OSHA 29 CFR Part 1926.1153)

To minimize dust emissions, use water to bind the dust, when feasible.

---

It is the owner's/employer's responsibility that the operator has sufficient knowledge about how to use the product safely. Supervisors and operators must have

read and understood the Operator's Manual. They must be aware of:

- The product's safety instructions.
- The product's range of applications and limitations.
- How the product is to be used and maintained.

National/Local regulations could restrict the use of this product. Find out what regulations are applicable where you work before you start using the product.

### Product description

The product is a walk behind floor saw with a 4-stroke gasoline engine.

### Intended use

This product is used with diamond blades for wet cutting to cut hard floor surface materials such as concrete, asphalt and stone. All other use is incorrect.

The product is used in industrial operations by operators with experience.

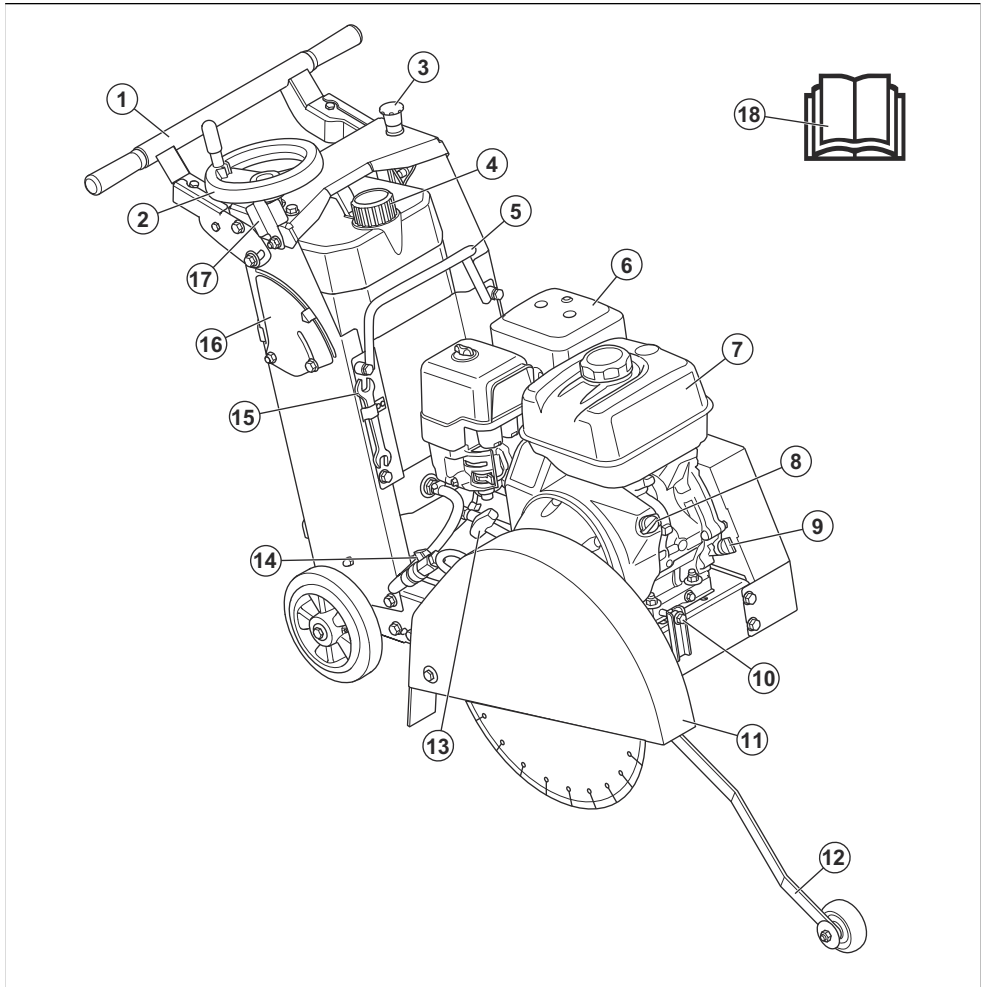
Do not use indoors, this product is for outdoor use only.

### California Proposition 65

## WARNING!

The engine exhaust from this product contains chemicals known to the State of California to cause cancer, birth defects or other reproductive harm.

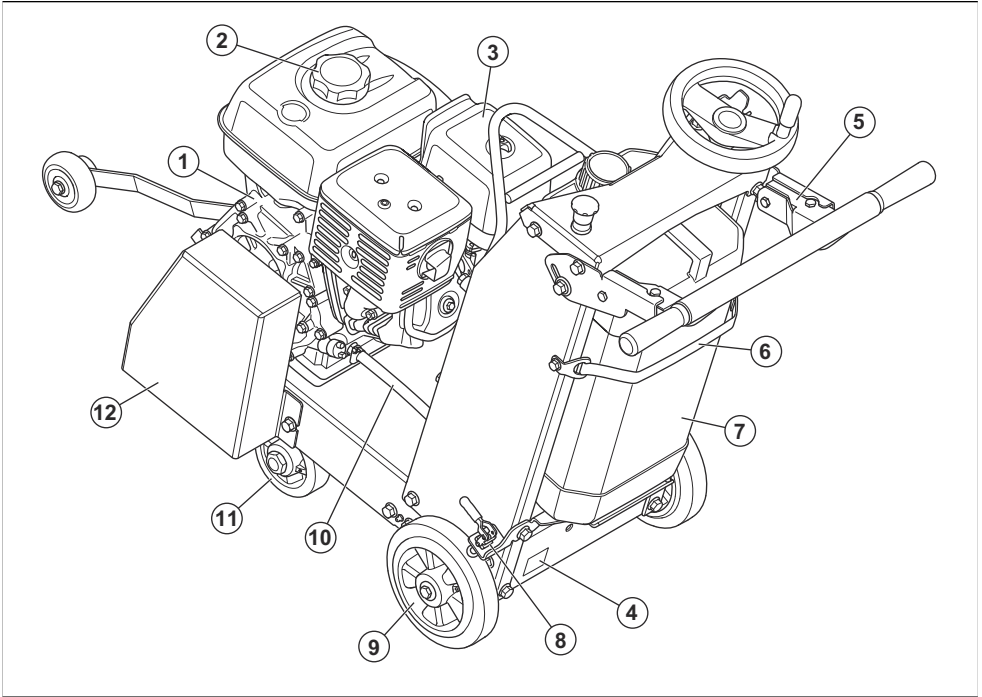
## Product overview front



**Note:** The illustration shows one type of engine. If your product has a different engine, the engine parts can be in different positions.

- |                         |   |
|-------------------------|---|
| 1. Handle               | 10. Tension screw for the drive belt      |
| 2. Cutting depth wheel  | 11. Blade guard                           |
| 3. Machine stop button  | 12. Pointer                               |
| 4. Water tank and lid   | 13. Starter rope                          |
| 5. Lifting eye          | 14. Water tap                             |
| 6. Muffer               | 15. Servicing tool                        |
| 7. Fuel tank            | 16. Cutting depth indicator               |
| 8. Engine ON/OFF switch | 17. Lever to lock the cutting depth wheel |
| 9. Engine oil           | 18. Operator's manual                     |

## Product overview rear



**Note:** The illustration shows one type of engine. If your product has a different engine, the engine parts can be in different positions.

1. Engine
2. Fuel tank cap
3. Air filter
4. Rating plate
5. Vibration damping unit (1 on each side of the handle)
6. Water tank strap
7. Water tank
8. Parking brake
9. Rear wheels
10. Engine oil drain
11. Front wheels
12. Drive belt cover



**WARNING:** The dust can cause health problems. Use an approved respiratory protection. Always make sure that there is good airflow.



Make sure that the cutting blade is applicable to the same speed or a higher speed than the value given on the product. A cutting blade that is operated at too high speed can break and cause injury or damage.



Do not use the product near flammable material or gases.



Make sure that the cutting blade is not blunt or has damages, such as cracks.

## Symbols on the product



**WARNING:** This product can be dangerous and cause serious injury or death to the operator or others. Be careful and use the product correctly.



Risk of cut injuries. Keep all body parts away from the cutting blade.



The blade guards must always be installed on the product. Do not let more than 180° of the cutting blade show.



Keep body parts away from the cutting blade and other moving parts.



Read the operator's manual carefully and make sure that you understand the instructions before you use this product.



Use hearing protection, eye protection and respiratory protection. Refer to *Personal protective equipment* on page 8.



All displacement of the machine outside the cutting area shall be carried out with the tool not in rotation.



Remove the blade before transportation, when you lift, put on or remove the product.



Machine stop button.



Lift/lower control.



Engage/disengage the parking brakes.



Always lift the product at the lifting point.



Noise emission to the environment label as refer to EU and UK directives and regulations. The guaranteed sound power level of the product is specified in , *Noise and vibration declaration statement* on page 21 and on the label.



The arrow on the blade guard shows in which direction the cutting blade rotates.



Screw with left hand thread which is tightened counter-clockwise.



The exhaust fumes from the engine contain carbon monoxide, an odourless, poisonous and very dangerous gas. Do not start the engine indoors or in closed spaces.



Gasoline is very flammable and explosive. Always stop the engine and let it become cool before you refuel.



Fill tank only with water.



Hot surface.



Hot muffler, do not touch.



Unleaded gasoline with a maximum of 10% ethanol.



Explosive fuel can cause fires and serious burn injuries.



This product complies with applicable EC Directives.

**Rating plate**

1. Husqvarna®

2. Husqvarna AB, S-561 82, Huskvarna, Sweden

3. [Scannable code]

4. ARTICLE NO.

5. SERIAL NO. (HID)

6. [Weight field]

7. [Date field]

8. [Power field]

9. [Blade diameter field]

10. [Spindle speed field]

11. [Additional info field]

12. [Additional info field]

1. Manufacturer
2. Manufacturer address
3. Scannable code

4. Type designation
5. Article number
6. Serial number
7. Product weight, kg
8. Date of manufacture, year/month
9. Engine output power, kW
10. Maximum blade diameter, mm
11. Maximum spindle speed, n/min
12. Additional information

**Product liability**

As referred to in the product liability laws, we are not liable for damages that our product causes if:

- the product is incorrectly repaired.
- the product is repaired with parts that are not from the manufacturer or not approved by the manufacturer.
- the product has an accessory that is not from the manufacturer or not approved by the manufacturer.
- the product is not repaired at an approved service center or by an approved authority.

---

**Safety**

---

**Safety definitions**

Warnings, cautions and notes are used to point out specially important parts of the manual.



**WARNING:** Used if there is a risk of injury or death for the operator or bystanders if the instructions in the manual are not obeyed.



**CAUTION:** Used if there is a risk of damage to the product, other materials or the adjacent area if the instructions in the manual are not obeyed.

**Note:** Used to give more information that is necessary in a given situation.

**General safety instructions**



**WARNING:** Read the warning instructions that follow before you use the product.

- This product is a dangerous tool if you are not careful or if you use the product incorrectly. This product can cause serious injury or death to the operator or others. Before you use the product,

you must read and understand the contents of this operator's manual.

- Save all warnings and instructions.
- Comply with all applicable laws and regulations.
- The operator and the employer of the operator must know and prevent the risks during operation of the product.
- Do not let a person operate the product unless they read and understand the contents of the operator's manual.
- Do not operate the product unless you receive training before use. Make sure that all operators receive training.
- Do not let a child operate the product.
- Only let approved persons operate the product.
- The operator is responsible for accidents that occur to other persons or their property.
- Do not use the product if you are tired, ill, or under the influence of alcohol, drugs or medicine.
- Always be careful and use your common sense.
- This product produces an electromagnetic field during operation. This field can under some circumstances interfere with active or passive medical implants. To decrease the risk of serious injury or death, we recommend persons with medical implants to speak to their physician and the medical implant manufacturer before operating this product.
- Keep the product clean. Make sure that you can clearly read signs and decals.
- Do not use the product if it is damaged.

- Do not make modifications to this product.
- Do not operate the product if it is possible that other persons have made modifications to the product.

## Safety instructions for operation



**WARNING:** Read the warning instructions that follow before you use the product.

- Read the warning instructions that are supplied with the cutting blade by the cutting blade manufacturer.
- Make sure that the product is assembled correctly.
- Do not operate the product without the blade guard and the protective covers installed.
- Do not operate the product with the front of the blade guard lifted or opened. The blade guard must be lowered and correctly attached.
- Incorrect operation of the product can cause the cutting blade to break and cause injury or damage.
- Make sure that you know how to stop the engine quickly in an emergency.
- Use personal protective equipment. Refer to *Personal protective equipment on page 8*.
- Make sure that only approved persons are in the work area.
- Make sure that electrical cables in the work area are not live.
- Before you operate the product, find out if there are hidden wires, cables and pipes in the work area. If the product hits a hidden object, stop the engine immediately and examine the product and the object. Do not start to operate the product again until you know that it is safe to continue.
- Do not use the product in bad weather conditions, such as thick fog, heavy rain, strong wind or intense cold. To do work in bad weather makes you tired and can cause dangerous conditions, for example slippery surfaces.
- Make sure that you are in a safe and stable position during operation.
- The product can cause objects to eject at high speed. Make sure that all persons in the work area use approved personal protective equipment. Remove loose objects from the work area.
- The exhaust fumes from the engine contain carbon monoxide which is an odourless, poisonous and very dangerous gas. Do not use a combustion engine product indoors or in areas that do not have sufficient airflow.
- Before you go away from the product, stop the engine and make sure that there is no risk of accidental start.
- If the product has parking brakes, do not go away from the product without the parking brakes engaged.
- Do not go away from the product when the engine is started.

- Be very careful during operation on slopes. The product is heavy and can cause serious injury if it falls.
- Make sure that no material can become loose and cause injury to the operator.
- Make sure that clothes, long hair and jewelry do not get caught in moving parts.
- Do not operate the product unless you can get aid if an accident occurs.
- Keep the work area clean and bright.
- Do not use the product in areas where fire or explosions can occur.

## Exhaust fumes safety



**WARNING:** Read the warning instructions that follow before you use the product.

- Long-term inhalation of exhaust fumes can cause health problems.
- The exhaust fumes from the engine contain carbon monoxide which is an odourless, poisonous and very dangerous gas. To breathe carbon monoxide can cause death. Because carbon monoxide is odourless and cannot be seen, it is not possible to sense it. A symptom of carbon monoxide poisoning is dizziness, but it is possible that a person becomes unconscious without warning if the quantity or concentration of carbon monoxide is sufficient.
- Exhaust fumes that you can see or smell also contain carbon monoxide.
- Do not use a combustion engine product indoors and/or in areas that do not have sufficient airflow.

## Vibration safety



**WARNING:** Read the warning instructions that follow before you use the product.

- During operation of the product, vibrations go from the product to the operator. Regular and frequent operation of the product can cause or increase the degree of injuries to the operator. Injuries can occur in fingers, hands, wrists, arms, shoulders, and/or nerves and blood supply or other body parts. The injuries can be debilitating and/or permanent, and can increase gradually during weeks, months or years. Possible injuries include damage to the blood circulation system, the nervous system, joints, and other body structures.
- Symptoms can occur during operation of the product or at other times. If you have symptoms and continue to operate the product, the symptoms can increase or become permanent. If these or other symptoms occur, get medical aid:
  - Numbness, loss of feeling, tingling, pricking, pain, burning, throbbing, stiffness, clumsiness,

loss of strength, changes in skin color or condition.

- Symptoms can increase in cold temperatures. Use warm clothing and keep your hands warm and dry when you operate the product in cold environments.
- Do maintenance on and operate the product as given in the operator's manual, to keep a correct vibration level.
- The product has a vibration damping system that decreases the vibrations from the handles to the operator. Let the product do the work.
- Keep your hands on the handle or handles only. Keep all other body parts away from the product.
- Stop the product immediately if strong vibrations suddenly occurs. Do not continue the operation before the cause of the increased vibrations is removed.

## Noise safety



**WARNING:** Read the warning instructions that follow before you use the product.

- High noise levels and long-term exposure to noise can cause noise-induced hearing loss.
- To keep the noise level to a minimum, do maintenance on and operate the product as given in the operator's manual.
- Examine the muffler for damages and defects. Make sure that the muffler is correctly attached to the product.
- Use approved hearing protection while you operate the product.
- Listen for warning signals and voices when you use hearing protection. Remove the hearing protection when the product is stopped, unless hearing protection is necessary for the noise level in the work area.

## Personal protective equipment



**WARNING:** Read the warning instructions that follow before you use the product.

- Always use approved personal protective equipment when you operate the product. Personal protective equipment cannot fully prevent injury but it decreases the degree of injury if an accident does occur. Let your dealer help you select the correct personal protective equipment.
- Regularly do a check of the condition of the personal protective equipment.
- Use an approved protective helmet.
- Use approved hearing protection.
- Use approved respiratory protection.
- Use approved eye protection with side protection. There is a high risk of eye injury from thrown objects.

- Use protective gloves.
- Use boots with steel toe-cap and non-slip sole.
- Use approved work clothing or equivalent close-fitting clothing that has long sleeves and long legs.

## Fire extinguisher

- Keep a fire extinguisher near during operation.
- Use a powder fire extinguisher or a carbon dioxide fire extinguisher.

## Safety devices on the product

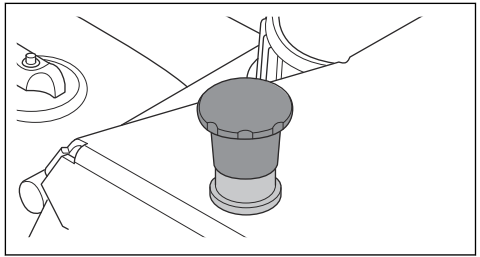


**WARNING:** Read the warning instructions that follow before you use the product.

- Do not use a product with defective safety devices.
- Do a check of the safety devices regularly. If the safety devices are defective, speak to your Husqvarna service agent.
- Do not make modifications to safety devices.

## Machine stop button

The machine stop button (STOP) stops the engine.

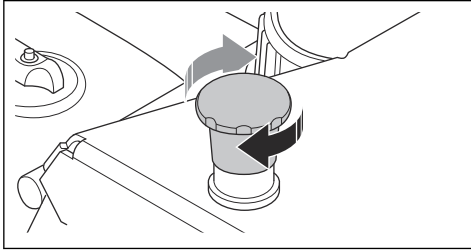


**CAUTION:** Do not use the machine stop button to stop the product unless there is an emergency. For correct procedure how to stop the product during operation, refer to *To stop the product on page 15*.

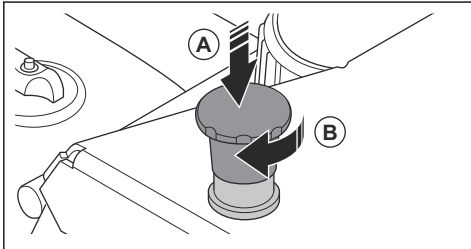
## To do a check of the machine stop button

1. Make sure that the cutting blade is slightly above the ground.
2. Make sure that the cutting blade and the blade flange are tightly attached and the blade guard is correctly installed. Refer to *To install a cutting blade on page 12*.

- Turn the machine stop button (STOP) clockwise to make sure that it is disengaged.



- Start the product.
- Push the machine stop button (A) and make sure that the engine stops.



- Turn the machine stop button clockwise (B) to disengage.

### Blade guard



**WARNING:** Do not use the product without a blade guard or with a defective blade guard. Make sure that the blade guard is installed and attached correctly before you start the product.

The blade guard prevent parts, of the blade or the material that is cut, to be thrown at the operator.

### To do a check of the blade guard

- Make sure that the blade guard is correctly installed.
- Examine the blade guard for damages, such as cracks.
- Replace a damaged blade guard.
- Replace the blade guard if it is hit, bent or has other defects.

### Drive belt cover

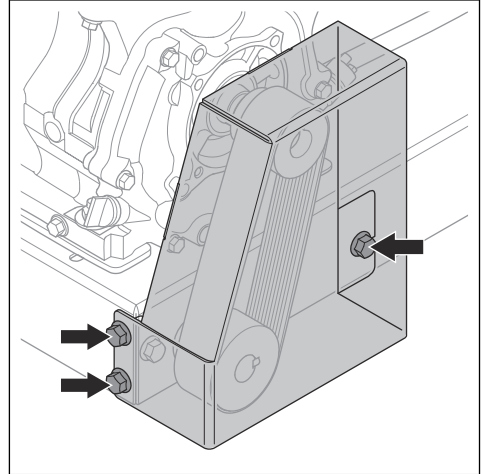


**WARNING:** Do not use the product without a drive belt cover or with a defective drive belt cover. Make sure that the drive belt cover is installed and attached correctly before you start the product.

The drive belt cover gives protection from the pulleys and the drive belt.

### To do a check of the drive belt cover

- Make sure that the drive belt cover is not damaged or has cracks. Replace the drive belt cover if it is necessary.
- Make sure that the 3 screws of the drive belt cover are installed and correctly tightened.



### Muffler

The muffler keeps the noise levels to a minimum and sends the exhaust fumes away from the operator.

Do not use the product if the muffler is missing or defective. A defective muffler increases the noise level and the risk of fire.



**WARNING:** The muffler gets very hot during and after use. This also applies during idling. Be aware of the fire hazard, especially when working near flammable substances and/or vapours.

### To do a check of the muffler



**WARNING:** Do not use a product with a defective muffler.



**WARNING:** The muffler becomes very hot during and after operation, also at idle speed. Use protective gloves to prevent burn injuries.

- For information on how to do a check of the muffler, refer to the operator's manual for the engine.

## Fuel safety

---



**WARNING:** Read the warning instructions that follow before you use the product.

---

- Fuel is flammable and the fumes are explosive. Be careful with fuel to prevent injury, fire and explosion.
- Do not breathe in the fuel fumes. The fuel fumes are poisonous and can cause injury. Make sure that the airflow is sufficient.
- Do not remove the fuel tank cap or fill the fuel tank when the engine is on.
- Make sure that the engine is cool before you refuel.
- Do not fill fuel in an indoor area. Insufficient airflow can cause injury or death because of asphyxiation or carbon monoxide poisoning.
- Do not smoke near the fuel or the engine.
- Do not put hot objects near the fuel or the engine.
- Do not fill fuel near sparks or flames.
- Before you refuel, open the fuel tank cap slowly and release the pressure carefully.
- Fuel on your skin can cause injury. If you get fuel on your skin, use soap and water to remove the fuel.
- If you spill fuel on your clothing, change clothing immediately.
- Do not fill the fuel tank fully. Heat causes the fuel to expand. Keep a space at the top of the fuel tank.
- Tighten the fuel tank cap fully. If the fuel tank cap is not tightened, there is a risk of fire.
- Before you start the product, move the product to a minimum of 3 m/10 ft from where you refueled.
- Do not start the product if there is fuel or engine oil on the product. Remove the unwanted fuel and engine oil and let the product dry before you start the engine.
- Examine the engine for leaks regularly. If there are leaks in the fuel system, do not start the engine until the leaks are repaired.
- Do not use your fingers to examine the engine for leaks.

- Keep fuel in approved containers only.
- When the product and fuel is in storage, make sure that fuel and fuel fumes cannot cause damage.
- Drain the fuel in an approved container outdoors and away from sparks and flames.

## Safety instructions for maintenance

---



**WARNING:** Read the warning instructions that follow before you use the product.

---

- Use personal protective equipment. Refer to *Personal protective equipment on page 8*.
- If the maintenance is not done correctly and regularly, the risk of injury and damage to the product increases.
- Stop the engine and let the product become cool before you do the maintenance.
- Clean the product to remove dangerous material before you do the maintenance.
- Disconnect the spark plug cap before you do the maintenance.
- The exhaust fumes from the engine are hot and can contain sparks. Do not operate the product in indoor areas or near flammable material.
- Do not change the product. Modifications that are not approved by the manufacturer, can cause serious injury or death.
- Always use original accessories and spare parts. Accessories and spare parts that are not approved by the manufacturer, can cause serious injury or death.
- Replace damaged, worn or broken parts.
- Only do the maintenance as given in this operator's manual. Let an approved service center do all other servicing.
- Remove all tools from the product before you start the engine after maintenance. Loose tools or tools attached to rotating parts can eject and cause injury.
- Let an approved service center do servicing on the product regularly.

---

## Operation

---

### Introduction

---



**WARNING:** Read and understand the safety chapter before you use the product.

---

### To do before you operate the product

- Read the operator's manual carefully and make sure that you understand the instructions.
- Read the instructions that are supplied with the cutting blade by the cutting blade manufacturer.

- Read the operator's manual supplied by the engine manufacturer.
- Before each operation of the product, do these steps:
  - a) Do the daily maintenance. Refer to *Maintenance schedule on page 17*.
  - b) Make line marks for all cuts. Prepare the operation sequence carefully to prevent injury and damage.
  - c) Make sure that the cutting blade is correctly installed. Refer to *To install a cutting blade on page 12*.

- d) Adjust the handle to an applicable operation position. Refer to *To adjust the handle height on page 12*.
- e) Fill the water tank or connect external water supply to the water tap.
- f) Make sure that the water tap is open. Each side of the cutting blade must have sufficient supply of water.
- g) Make sure that the pointer is aligned with the cutting blade. Refer to *To align the pointer with the cutting blade on page 14*.
- h) Turn the machine stop button clockwise to make sure that the machine stop button is disengaged.

## Cutting blades



**WARNING:** Do not use a cutting blade for other materials than which it is made for.



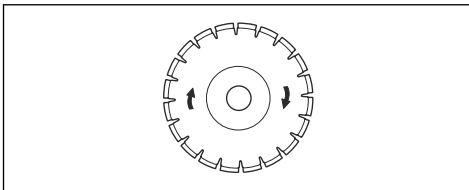
**WARNING:** Only use diamond blades for wet cutting. The diamond blade must be applicable to the same speed or a higher speed than the value given on the product type plate. Only use diamond blades that are in compliance with national or regional standards, for example EN13236 or ANSI B7.1.

The cutting blade manufacturer gives warnings and recommendations for the operation and correct maintenance of the cutting blade. Those warnings are supplied with the cutting blade.

## Diamond blades



**WARNING:** Make sure that the direction of rotation for the diamond blade shown on the diamond blade aligns with the direction of rotation shown on the product.



**CAUTION:** Always use a sharp diamond blade.

There is a wide range of diamond blades that is used for different operations. From new made concrete to concrete and asphalt that has become hard and for different hardness classes.

Diamond blades have a steel core with segments that are made of industrial diamonds.

## Water cooling system

Always use water during operation to keep the temperature of the diamond blades down. The water cooling system also increases the lifetime of the diamond blades and prevents dust buildup.

Make sure that the water supply is not clogged.

## To sharpen the diamond blades

Diamond blades can become blunt if you use an incorrect feeding pressure or when you cut materials such as hard reinforced concrete. If you use a blunt diamond blade it becomes too hot, which can cause the diamond segments to come loose.

- Decrease the cutting depth and the engine speed for a short time to sharpen the diamonds on the diamond blade.

## Diamond blades for wet cutting



**WARNING:** Always use a blade flange dimension that is specified for the current blade dimension. Do not use blade flanges that are damaged.

During the operation, the friction causes the diamond blade to become very hot. If the diamond blade becomes too hot, it will decrease the blade tension or make the core crack.

Let the diamond blade become cool before you touch it.

- Diamond blades for wet cutting must be used with water to keep the diamond blade core and segments cool during cutting. Diamond blades for wet cutting can not be used dry.
- If you use diamond blades for wet cutting without water, the diamond blade can become too hot. This gives bad performance, blade damage and is a safety risk.

## To fill fuel



**WARNING:** Gasoline is very flammable. Be careful and refuel outdoors. Refer to *Fuel safety on page 10*.



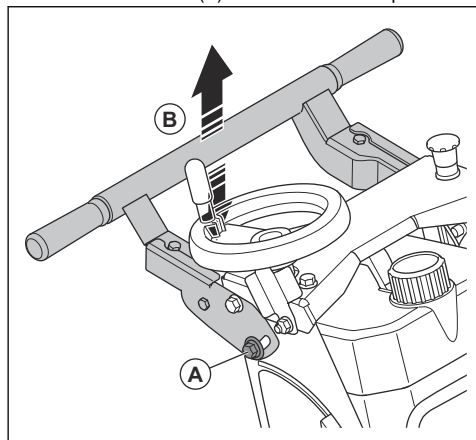
**CAUTION:** Always use correct fuel type. Incorrect fuel type causes damage to the product.

- Use gasoline of the correct type. Refer to *Technical data on page 20*. For more information about the fuel, refer to the engine manual supplied by the engine manufacturer.

## To adjust the handle height

The height of the handle can be adjusted to the correct height.

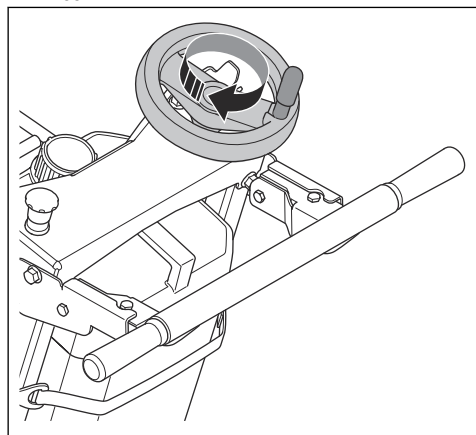
1. Loosen the screws (A) on each side of the product.



2. Set the position for the necessary work height (B).
3. Tighten the screws (A).

## To install a cutting blade

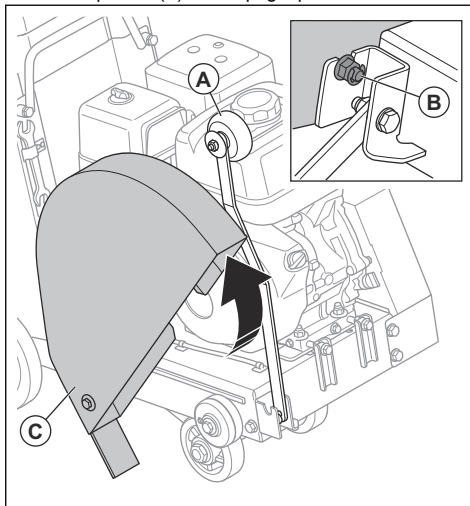
1. Make sure that the engine ON/OFF switch is in its OFF position.
2. Turn the cutting depth wheel clockwise to fully lift the cutting blade. Push the lever to lock the cutting depth wheel.



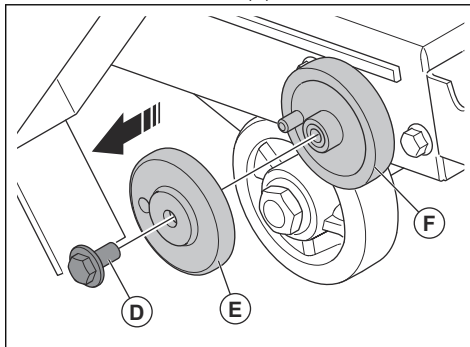
**WARNING:** Always lock the cutting depth wheel when the cutting depth wheel is not in use.

3. Stop the water supply and disconnect the water hose from the blade guard.

4. Lift the pointer (A) to an upright position.



5. Loosen the front nut (B) on the blade guard.
6. Lift the blade guard (C).
7. Remove the blade screw (D).

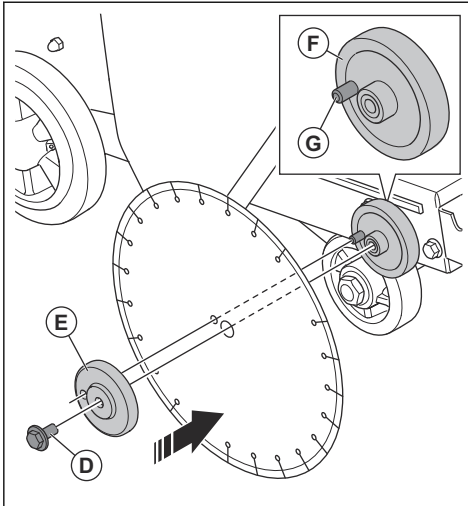


8. Remove the blade flange (E).
9. Examine the blade screw (D), the blade flange (E), the inner flange (F) and the locking pin (G).
  - a) Clean all contact surfaces between the blade and the blade flange. Clean the blade shaft bolt threads and the contact surfaces of the blade shaft bolt.
  - b) Replace worn or damaged parts.

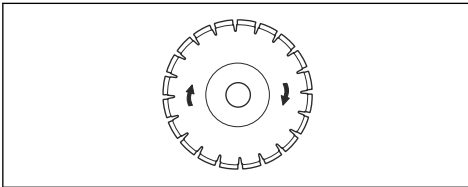


**WARNING:** Damaged or dirty parts can prevent correct installation of the cutting blade.

10. Install the cutting blade on the inner flange (F).



11. Make sure that the cutting blade rotates in the direction of the arrows shown on the cutting blade.



**CAUTION:** Risk of damage to the cutting blade if it is installed opposite the direction of rotation.

12. Install the blade flange (E) and the blade screw (D). Make sure that the locking pin (G) on the inner flange, goes through the cutting blade and into the blade flange (E).
13. Hold and push the cutting blade in reverse direction of rotation. At the same time tighten the blade screw (D).
14. Turn the cutting depth wheel counterclockwise to lower the cutting blade.
15. Tighten the blade screw (D) to minimum 40-45 Nm with the supplied wrench. The resistance between the cutting blade and the ground keeps the cutting blade in position.
16. Lower the blade guard.
17. Start the product and listen for unusual sounds. If there are unusual sounds, remove the cutting blade.
  - a) Examine the cutting blade for damages.
  - b) Install the cutting blade again. Replace the cutting blade if it is damaged.

## To remove or replace the cutting blade



**WARNING:** When you remove diamond blades, let the product become cool and use protective gloves. Diamond blades are very hot after use.

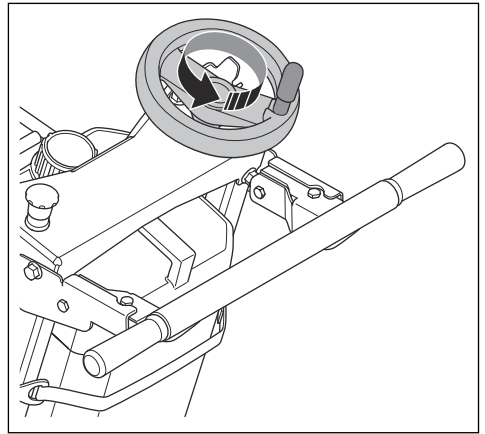
1. Make sure that the engine ON/OFF switch is in its OFF position.
2. Stop the water supply and disconnect the water hose from the blade guard.
3. Do the steps in *To install a cutting blade on page 12* to remove or replace the cutting blade.
4. Before you operate the product again, start the water supply and connect the water hose to the blade guard.

## To set the cutting depth indicator



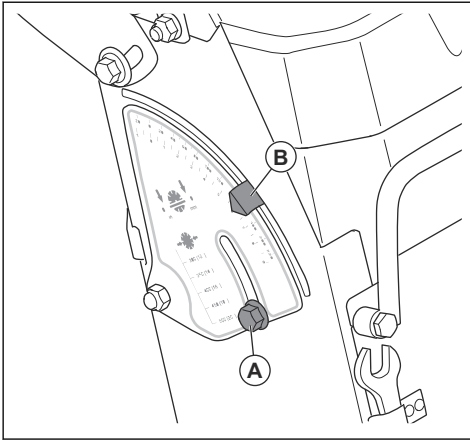
**WARNING:** Always lock the cutting depth wheel when the cutting depth wheel is not in use.

1. Turn the cutting depth wheel until the cutting blade slightly touches the ground. Push the lever to lock the cutting depth wheel.



**CAUTION:** Do not lower the cutting blade too quickly. If the cutting blade hits the surface with force, it can cause damage to the cutting blade.

- Loosen the screw (A).



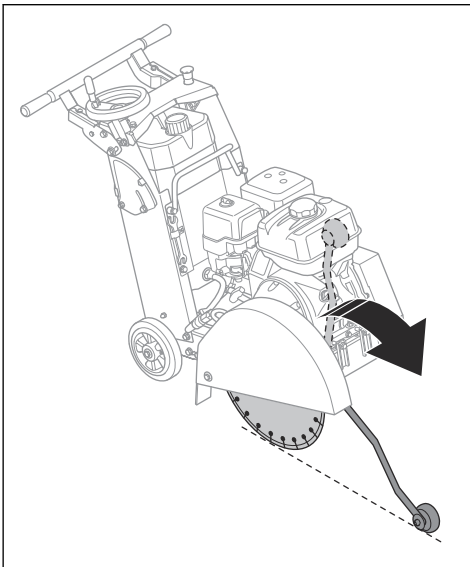
- Rotate the indicator plate until the position "0" is at the center of the arrow (B).
- Tighten the screw (A).



**CAUTION:** Always do a check that the cutting depth is correct. The indicator helps you to get the correct cutting depth but only gives an indication of the depth value.

## To align the pointer with the cutting blade

- Lower the pointer and align the pointer with a line mark.



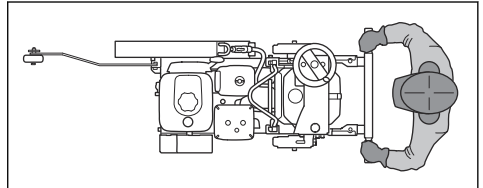
- Make sure that the pointer is aligned with the cutting blade. If necessary, adjust the guide wheel on the pointer until it is aligned with the cutting blade.
  - Loosen the nut for the guide wheel.
  - Align the guide wheel with the cutting blade.
  - Tighten the nut for the guide wheel.

## To use the correct working technique



**WARNING:** The blade shaft rotates when the engine is started.

- Stay away from the blade path while the engine is on. The correct operator position is behind the handles with both hands on the handles.



- Examine the cutting blade frequently for cracks and broken parts during the work day. Do not use a damaged cutting blade.

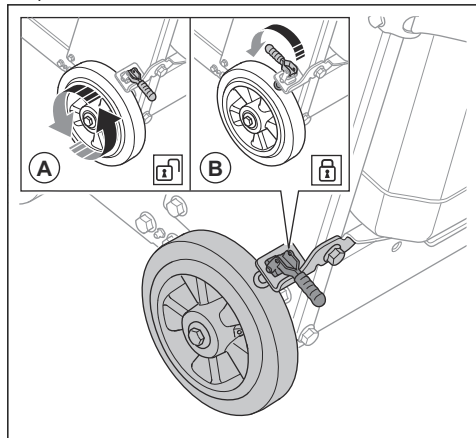


**WARNING:** Stop the engine before you examine the cutting blade.

- Do not grind with the side of the cutting blade. The cutting blade can break and cause injury to the operator or bystanders. Only use the cutting edge.
- Do not bend or twist the cutting blade in the cut.
- Make sure that the cutting blade moves freely and does not catch in the cut.
- If you are to cut concrete bricks, tightly attach the concrete bricks before you cut. The heavy weight of the material can cause damage to the product and serious injury. Make sure that you can move the product in controlled conditions.

## To engage and disengage the parking brake

1. Disengage the parking brake (A) to move the product.



2. Engage the parking brake (B) to hold the product in position.

## To start the product



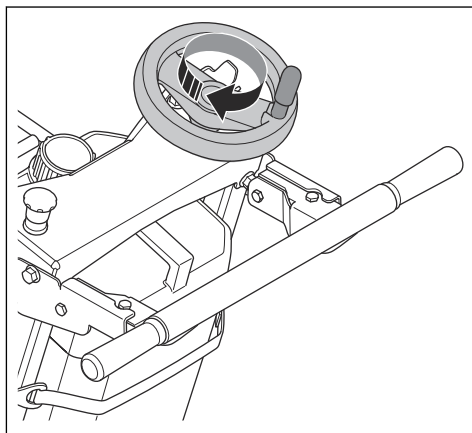
**WARNING:** Make sure that the cutting blade is slightly above the ground.

- Refer to the operator's manual supplied by the engine manufacturer.

## To stop the operation

1. Use the lever to unlock the cutting depth wheel.

2. Turn the cutting depth wheel clockwise to fully lift the cutting blade. Push the lever to lock the cutting depth wheel.



3. Use the lever to lock the cutting depth wheel.
4. Stop the water supply.

## To stop the product



**WARNING:** If there is an emergency, push the machine stop button to stop the product quickly.



**WARNING:** The cutting blade rotates for a while after the engine stops.

**Note:** The lever for the cutting depth wheel must always be locked when the cutting depth wheel is not in use.

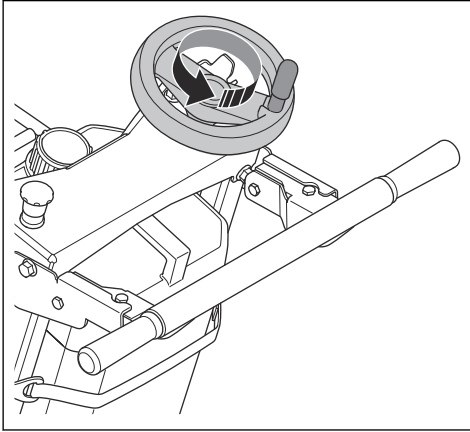
1. Turn the engine ON/OFF switch to the OFF position. Refer to the operator's manual supplied by the engine manufacturer.
2. If the product has parking brakes, engage the parking brakes.

## To operate the product



**WARNING:** The lever for the cutting depth wheel must always be locked when the cutting depth wheel is not in use.

1. Slowly turn the cutting depth wheel counterclockwise to lower the cutting blade.



4. Adjust the water supply when you operate the product. Turn the water tap to adjust the water supply.



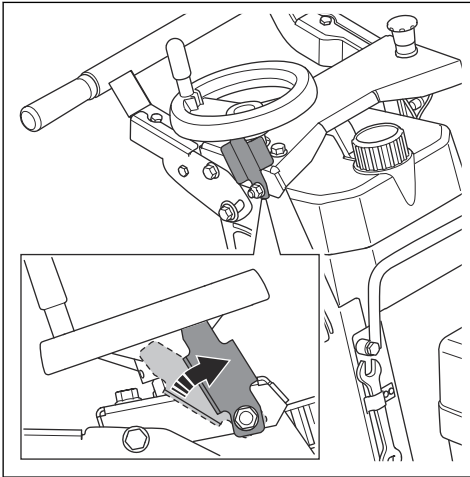
**CAUTION:** Each side of the cutting blade must have sufficient supply of water to cool down the cutting blade. The water also prevents dust buildup.

5. Cut only in a line, align the cutting blade with the marks.
6. Slowly push the product forward and make sure that the pointer and the cutting blade are aligned with the marks.



**CAUTION:** Do not turn, rotate or move the product from side to side while the cutting blade rotates.

2. Make a cut as a guide, approximately 20-30 mm/ 0.8-1.2 in.
3. Do cut increments of 50 mm/2 in. until you get the necessary depth. Push the lever up to lock the cutting depth wheel.



## Maintenance

### Introduction



**WARNING:** Read and understand the safety chapter before you do maintenance on the product.

service agent, speak to them for information about the nearest service agent.

For spare parts, speak to your Husqvarna dealer or service agent.

For all servicing and repair work on the product, special training is necessary. We guarantee that professional repairs and servicing is available. If your dealer is not a

## To do before the maintenance

- Park the product on a level surface and stop the engine. Turn the engine ON/OFF switch to the OFF position to prevent accidental start during maintenance.
- Clean the area around the product from oil and dirt. Remove unwanted objects.
- Put clear signs around the maintenance area to give a warning to bystanders that maintenance work is in progress.

- Keep fire extinguishers, medical supplies and an emergency phone near.

## Maintenance schedule

For maintenance of the engine and engine parts, refer to the operator's manual supplied by the engine manufacturer.

Maintenance	Daily
Clean the external surfaces of the product with water. Refer to <i>To clean the product on page 17</i> .	X
Clean the air filter. In dusty environments, clean the air filter more frequently. Refer to <i>To clean and replace the air filter on page 19</i> .	X
Clean the sediment cup. Refer to the operator's manual supplied by the engine manufacturer.	X
Do a general inspection. Refer to <i>To do a general inspection on page 17</i> .	X
Do a check of the engine oil level.	X
Do a check of the drive belt. If it is necessary, adjust the tension of the drive belt. Refer to <i>To adjust the tension of the drive belt on page 18</i> .	X
Do a check of the machine stop button. Refer to <i>To do a check of the machine stop button on page 8</i> .	X
Do a check of the blade guards. Refer to <i>General safety instructions on page 6</i> .	X
Do a check of the muffler.	X
Do a check of the cutting blade. Refer to <i>Cutting blades on page 11</i> .	X
Lubricate the blade shaft. Refer to <i>To lubricate the product on page 18</i> .	X
Lubricate the grease nipples for the cutting depth adjustment. Refer to <i>To lubricate the product on page 18</i> .	X
Do a check of the water flow. If the water flow is not sufficient, do a check of the water supply holes in the blade guard. Remove unwanted material that causes a blockage to the water supply holes.	X

## To clean the product



**WARNING:** Use protective glasses. When you clean the product, dirt and harmful material can eject from the product.



**CAUTION:** A blocked air intake decreases the performance of the product and can cause the engine to become too hot.

- Let the product become cool before you clean it.
- Do not clean electrical components with water.
- Use a weak cleaning agent. Put on protective gloves to prevent skin irritation.
- Always clean all the equipment at the end of the work day. Do not use a high-pressure washer to clean the product.

- Remove blockage from all air openings.
- Clean all outlets, connections and cables with a dry cloth.
- Remove unwanted material that causes a blockage to the water supply holes in the blade guard.
- Clean around the fuel tank cap.

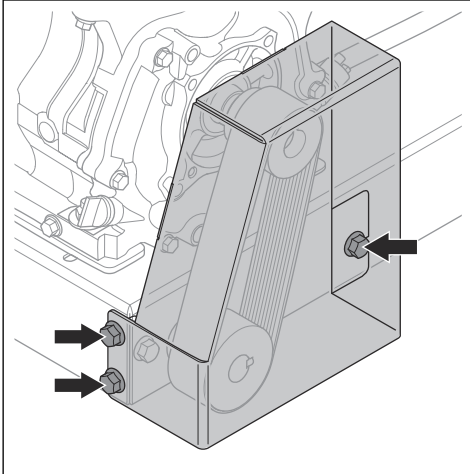
## To do a general inspection

- Make sure that the nuts and screws on the product are tightened.
- Make sure that the cables on the product are not in a position where they can become damaged.
- Make sure that there are no fuel or oil leaks.
- Make sure that the seals for the fuel tank cap are not damaged.
- Examine the fuel hose. Replace the fuel hose if it is damaged or worn.

- Examine the water hoses for leakage. Do not operate a product that has damaged water hoses.

## To adjust the tension of the drive belt

1. Loosen the 3 screws and remove the drive belt cover.



2. Make sure that the drive belt is not damaged.
3. Loosen the screws that keep the engine in position.
4. Turn the tension screw  $\frac{1}{4}$  turn clockwise to increase the tension of the drive belt.



**CAUTION:** Do not increase the tension of the drive belt too much.

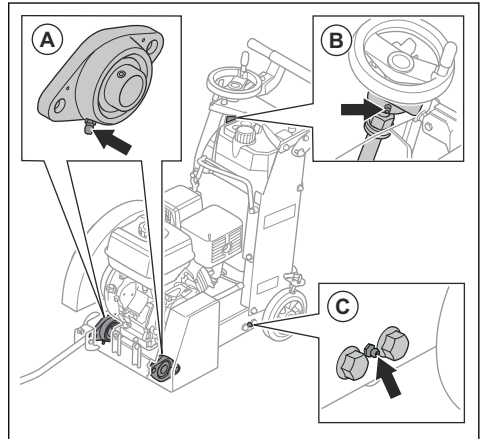
5. Make sure that the drive belt pulleys are aligned.
6. Tighten the screws that keep the engine in position.
7. Turn the tension screw 2 turns counterclockwise to prevent that the tension screw touches the engine block.
8. Install the drive belt cover and tighten the 3 screws.

## To lubricate the product

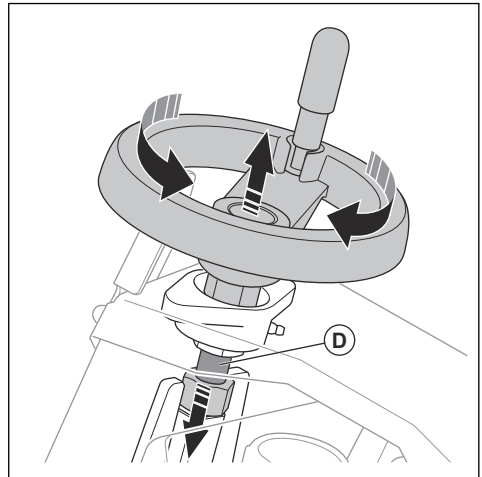
Lubricate the components that follow. Lubricate until the grease can be seen at the edges. For correct grease, refer to *Technical data* on page 20.

1. Connect the grease gun to the grease nipple.

2. Lubricate the blade shaft bearings (A) and the bushings (C), on the left side and the right side of the product.



3. Lubricate the lubrication points of the lever for cutting depth adjustment (B).
4. Lubricate (D) below the nut.



5. Turn the cutting depth wheel clockwise and counterclockwise again and again and lubricate equally.

## To do a check of the engine oil level

1. Make sure that the cutting blade is removed and that the product is level when you examine the engine oil level.
2. Remove the dipstick from the oil tank.
3. Clean the oil from the dipstick.
4. Put the dipstick back fully into the oil tank.
5. Remove the dipstick.

6. Examine the oil level on the dipstick. Make sure that the level of engine oil is between the marks on the dipstick.
7. If the oil level is low, fill with engine oil and do a check of the oil level again. Refer to *To replace the engine oil on page 19* for correct engine oil type.

## To replace the engine oil

If the engine is cold, start the engine for 1–2 minutes before you drain the engine oil. This makes the engine oil warm and faster to drain.



**WARNING:** Do not operate the engine for more than 1–2 minutes before you drain the engine oil. The engine oil becomes very hot and can cause burn injuries. Let the engine become cool before you drain the engine oil.



**WARNING:** If you spill engine oil on your body, clean with soap and water.



**CAUTION:** Do not use engine oil for 2-stroke engines. Engine oil for 2-stroke engines can cause damage to the engine.

- Refer to the operator's manual supplied by the engine manufacturer.



**CAUTION:** Obey local regulations for safe disposal of used engine oil.

## To clean and replace the air filter



**WARNING:** Use approved respiratory protection when you clean or replace the air filter. Discard used air filters correctly. The

dust in the air filter is dangerous to your health.



**WARNING:** Do not clean the air filter with compressed air. This causes damage to the air filter and the risk increases that you breathe the dangerous dust.



**CAUTION:** Always replace a damaged air filter, or the dust will go into the engine and cause engine damage.

- For information on how to clean and replace the air filter, refer to the operator's manual for the engine.

## To examine the spark plug



**Note:** Do not use a spark plug with a damaged spark plug cap or ignition lead. A damaged spark plug can cause electrical shock.



**CAUTION:** Always use the recommended spark plug type. Incorrect spark plug type can cause damage to the product.

- Examine the spark plug if the engine is low on power, is not easy to start or does not operate correctly at idle speed.
- To decrease the risk of unwanted material on the spark plug electrodes, obey these instructions:
  - a) Make sure that the fuel type is correct.
  - b) Make sure that the air filter is clean.
- If the spark plug is dirty, clean it and make sure that the electrode gap is correct.
- Replace the spark plug if it is necessary.
- For more information, refer to the operator's manual for the engine.

## Transportation, storage and disposal

### Transportation



**WARNING:** Be careful during transportation. The product is heavy and can cause injury or damage if it falls or moves during transportation.

The wheels let you move the product manually for shorter distances. For longer distances, lift the product to move it or put the product on a vehicle.



**CAUTION:** Do not tow the product behind a vehicle.

- Safety the product during transportation. Make sure that it cannot move. Use the lifting eye or the base plate of the product to attach it.
- Remove the cutting blade before transportation of the product.
- Remove all tools and wrenches.
- For transportation of the product and fuel, make sure that there are no leaks or fumes. Sparks or

open flames, for example from electrical devices or boilers, can start a fire.

- Always use approved containers for transportation of fuel.
- Examine new cutting blades for transport damage.

## To lift the product



**WARNING:** Make sure that the lifting equipment has the correct dimension. The rating plate on the product shows the product weight.



**WARNING:** Make sure that the lifting eye is not damaged. Do not use metal hooks, chains or other lifting equipment with rough edges that can cause damage to the lifting point.



**WARNING:** Do not walk or stay below or near a lifted product.

- Use correct lifting equipment to lift the product. Do not lift the product manually.
- Use the lifting eye that is attached to the product when you lift it.

- Use boots with steel toe-caps and non-slip soles.

## Storage

- Keep the product in a locked area to prevent access for children or persons that are not approved.
- Always keep the product indoors.
- Keep the product in a dry and frost free area.
- Remove the cutting blade from the product after the operation.
- Keep the cutting blades in a safe area to prevent damage.
- Keep the cutting blades in a dry and frost-free area.
- Examine new cutting blades for storage damage.
- Keep the product on a flat, level surface.
- Remove all fuel from the fuel tank before you put the product in storage for a long period of time. Discard the fuel at an applicable disposal location.
- Always use approved containers for storage of fuel.

## Disposal

- Obey the local recycling requirements and applicable regulations.
- Discard all chemicals, such as engine oil or fuel, at a service center or at an applicable disposal location.
- When the product is no longer in use, send it to a Husqvarna dealer or discard it at a recycling location.

## Technical data

Engine <sup>1</sup>	Honda GX390		Kohler CH440		Husqvarna HH 389MPC
Engine power, kW/hp@rpm <sup>2</sup>	8.7/11.7 @3600 rpm		8.7/11.7 @3600 rpm		8.2/11.0 @3600 rpm
Blade guard capacity, mm/in.	450/18	500/20	450/18	500/20	500/20
Max. cutting depth, mm/in.	162/6.5	187/7.5	162/6.5	187/7.5	187/7.5
Product weight with empty tanks, kg/lb	104/229	107/236	104/229	107/236	105/231
Operating weight, kg/lb	142/313	145/320	142/313	145/320	143/315
Dimensions (LxWxH), mm/in.	1090x615x990/42.9x24.2x39.0	1120x615x990/44.1x24.2x39.0	1090x615x990/42.9x24.2x39.0	1120x615x990/44.1x24.2x39.0	1120x615x990/44.1x24.2x39.0
Max. rotation speed of the spindle, rpm	3100				
Arbor size, mm/in.	25.4/1				
Blade flange diameter, mm/in.	89/3.5				
Blade coolant	Water				

<sup>1</sup> For further information and questions about the specific engine, refer to the engine manual or the web site of the engine manufacturer.

<sup>2</sup> As specified by engine manufacturer. Net power rating as per SAE J1349, at specified rpm.

Engine <sup>1</sup>	Honda GX390	Kohler CH440	Husqvarna HH 389MPC
Engine oil	SAE 10W30, API Class, MS, SD, SE or higher		
Oil tank capacity, l/qts	1.1/1.2	1.3/1.4	1.1/1.2
Fuel	Unleaded gasoline with a maximum of 10% ethanol		
Fuel tank capacity, l/qts	6.1/6.4	6.8/7.2	6.5/6.9
Grease	NLGI 2, lithium based		

Noise and vibration emissions	Honda GX390	Kohler CH440	Husqvarna HH 389MPC
Sound power level $L_{WA}$ (measured), dB (A)	109	104	110
Sound power level $L_{WA}$ (guaranteed), dB (A) <sup>3</sup>	113	113	113
Sound pressure level at the operators ear, dB (A) <sup>4</sup>	102	102	100
Vibration levels $a_{HV}$ , $m/s^2$ , right handle/left handle <sup>5</sup>	2.5/3.2	4.1/4.6	5.8/5.8

## Noise and vibration declaration statement

These declared values were obtained by laboratory type testing in accordance with the stated directive or standards and are suitable for comparison with the declared values of other products tested in accordance with the same directive or standards. These declared values are not suitable for use in risk assessments and values measured in individual work places may be higher. The actual exposure values and risk of harm experienced by an individual user are unique and depend upon the way the user works, in what material the product is used, as well as upon the exposure time and the physical condition of the user, and the condition of the product.

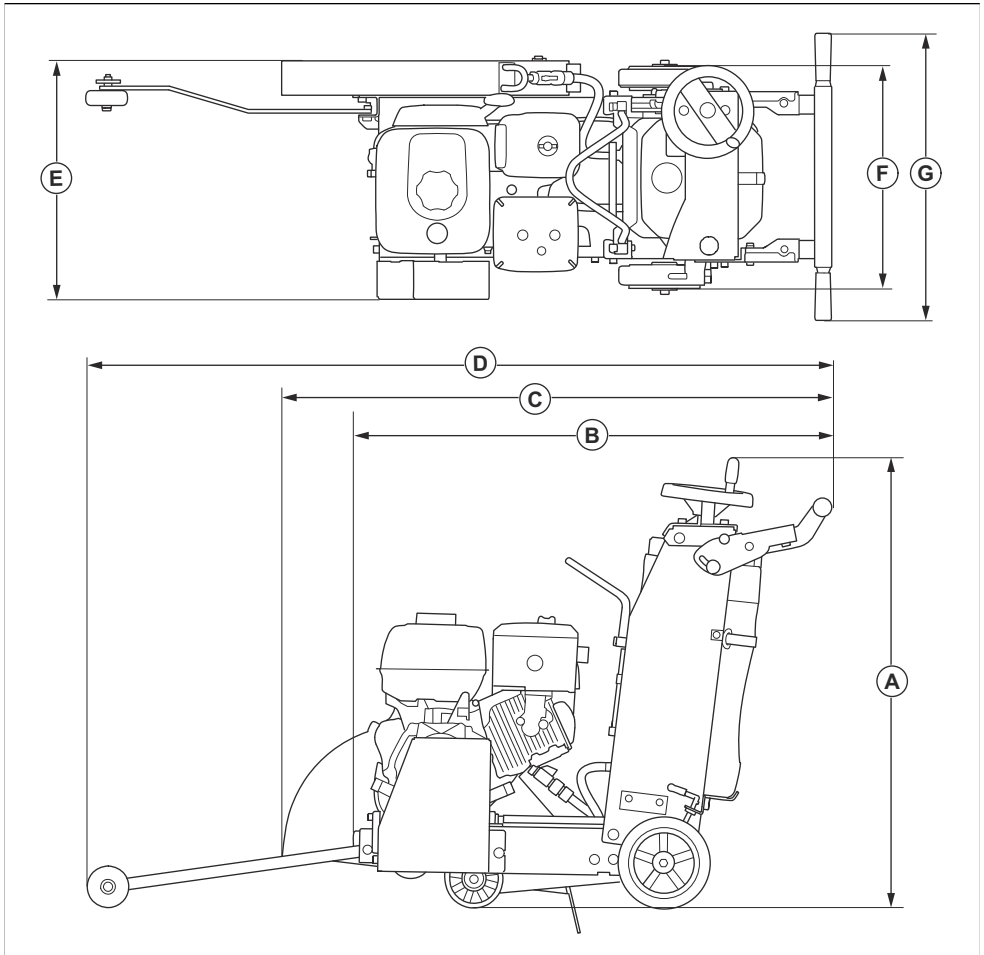
<sup>1</sup> For further information and questions about the specific engine, refer to the engine manual or the web site of the engine manufacturer.

<sup>3</sup> Noise emissions in the environment measured as sound power ( $L_{WA}$ ) in conformity with EC directive 2000/14/EC. The difference between guaranteed and measured sound power is that the guaranteed sound power also includes dispersion in the measurement result and the variations between different machines of the same model according to Directive 2000/14/EC.

<sup>4</sup> Noise pressure level according to EN 13862:2021. Reported data for noise pressure level has a typical statistical dispersion (standard deviation) of 2.5 dB (A)

<sup>5</sup> Vibration level according to EN 13862:2021. Reported data for vibration level has a typical statistical dispersion (standard deviation) of 1.5  $m/s^2$

## Product dimensions



<b>A</b>	Height, mm/in.	925/36.4	<b>E</b>	Max. width (blade guard is installed), mm/in.	525/20.7
<b>B</b>	Min. length (pointer up and blade guard or cutting blade is not installed), mm/in.	1020/40.2	<b>F</b>	Rear wheel width, mm/in.	480/18.9
<b>C</b>	Length (pointer up and blade guard is installed), mm/in.	1180/46.5	<b>G</b>	Handle width, mm/in.	620/24.4
<b>D</b>	Max. length (pointer down), mm/in.	1590/62.6			

---

# Declaration of Conformity

---

## EU Declaration of Conformity

We, Husqvarna AB, SE-561 82 Huskvarna, SWEDEN,  
tel: +46 36 146500, declare on our sole responsibility  
that the product:

<b>Description</b>	<b>Floor cutting-off machine</b>
<b>Brand</b>	Husqvarna
<b>Type/Model</b>	FS400LV
<b>Identification</b>	Serial numbers dating from 2022 and onwards

complies fully with the following EU directives and  
regulations:

<b>Directive/Regulation</b>	<b>Description</b>
2006/42/EC	"relating to machinery"
2014/30/EU	"relating to electromagnetic compatibility"
2000/14/EC	"relating to outdoor noise"

and that the following standards and/or technical  
specifications are applied;

EN ISO 12100:2010

EN 13862:2001+A1:2009

EN 13862:2021

EN 55012:2008+A1:2009

EN ISO 14982:2009

Conformity assessment procedure acc 2000/14/EC:  
Annex V.

For information relating to noise emissions, see the  
Technical data chapter.

Partille, 2022-12-15



Fredrik Sandinge

R&D Director, Concrete Sawing & Drilling Equipment

Husqvarna AB, Construction Division

Responsible for technical documentation

## UK Declaration of Conformity

We, Husqvarna AB, SE-561 82 Huskvarna, SWEDEN,  
Tel: +46 36 146500 declare on our sole responsibility  
that the product:

<b>Description</b>	<b>Floor cutting-off machine</b>
<b>Brand</b>	Husqvarna
<b>Type/Model</b>	FS400LV
<b>Identification</b>	Serial numbers dating from 2022 and onwards

complies fully with the following UK directives and regulations:

<b>Description</b>
The Supply of Machinery (Safety) Regulations 2008
Electromagnetic Compability Regulations 2016
The Noise Emissions in the Environment by Equipment for use Outdoors Regulations 2001

and that the following standards and/or technical specifications are applied;

EN ISO 12100:2010

EN 13862:2001+A1:2009

EN 13862:2021

EN 55012:2008+A1:2009

EN ISO 14982:2009

Conformity assessment procedure acc to the Outdoor Noise Regulations of 2001: Schedule 8.

For information relating to noise emissions, refer to the Technical data chapter.

Partille, 2022-12-15



Fredrik Sandinge

R&D Director, Concrete Sawing & Drilling Equipment

Husqvarna AB, Construction Division

Responsible for technical documentation

UK Importer:

Husqvarna UK Ltd

Preston Road, Co. Durham

DL5 6UP