





包装检查要求： 所有文件必须全部打印出来，检查，签字，文件留档	
自 查 人：9065	检查日期：2021.5.20
组 长：8641	检查日期：2021.5.20
采 购：8389	检查日期：2021.5.22
产品经理：	检查日期：
Q E：	检查日期：
研 发：	检查日期：

TOTAL

说明书材质要求：105g铜版纸	说明书成品尺寸：148x210mm
第一：专色+CMYK油墨要求： 1. TOTAL专色油墨，见实物色样调整 2. C色油墨：泗联天蓝墨 3. M色油墨：泗联洋红墨 4. Y色油墨：泗联中黄墨 5. K色油墨：泗联黑墨	第二：特别注意： 1. 印刷时看样颜色请参考我司提供的实物样品颜色，不得偏色。 2. 322C的专色不得参考C=100, M=28.42, Y=48.29, K=21.6对应的四色谱颜色来看样印刷
	 Pantone322C  C=0, M=95, Y=100, K=0  C=83, M=52, Y=0, K=0  Black (五色印刷)
折叠方式：骑马钉	备注：

特别注意：此页内容不印刷

TOTAL

One-Stop Tools Station

TOTAL

LITHIUM STRING TRIMMER AND BRUSH CUTTER

TSTLI20028 TSTLI200285 TSTLI200285E TSTLI200285X TSTLI200285-X
TSTLI200285S TSTLI200285H TSTLI200285M TSTLI200285A UTSTLI200285
UTSTLI200285X UTSTLI200285-X (X stands for 1 to 9)



TOTAL TOOLS WORLD



40V

SPECIFICATIONS

Model:		TSTLI20028 TSTLI200285 TSTLI200285E TSTLI200285X TSTLI200285-X TSTLI200285S TSTLI200285H TSTLI200285M TSTLI200285A UTSTLI200285 UTSTLI200285X UTSTLI200285-X (X stands for 1 to 9)
No load speed (at each rotation speed level)	Nylon cutting head	2: 6,500 /min 1: 5,000 /min
Cutting diameter		255mm
Trimming diameter		330mm
Rated voltage		D.C. 40 V

SAFETY WARNINGS

Important safety instructions

⚠ WARNING: When using electric gardening appliances, basic safety precautions should always be followed to reduce the risk of fire, electric shock, and personal injury, including the following.

Read All Instructions

Failure to follow the warnings and instructions may result in electric shock, fire and/or serious injury.

SAVE THESE INSTRUCTIONS.

General instructions

1. **Never allow people unfamiliar with these instructions or children to use the machine. Local regulations can restrict the age of the operator.** It is dangerous in the hands of untrained users or children.
2. **Be sure that anyone who is to operate the string trimmer has first read the instruction manual.**

3. **Use the string trimmer with the utmost care and attention.**
4. **Operate the string trimmer only if you are in good physical condition. Perform all work calmly and carefully. Use common sense and keep in mind that the operator or user is responsible for accidents or hazards occurring to other people or their property.**
5. **Never operate the string trimmer when tired, feeling ill or under the influence of alcohol or drugs.**
6. **Avoid accidentally starting:**
 - **Ensure the switch is in the off position before installing the battery pack.** Inserting the battery pack into the string trimmer with the switch on invites accidents.
 - **Carrying the string trimmer with your finger on the switch invites accidents.**
7. **The string trimmer should be switched off immediately if it shows any signs of abnormal operation.**
8. **Don't force the tool.** It will do the job better and with less likelihood of a risk of injury at the rate for which it was designed.
9. **Don't overreach. Keep proper footing and balance at all times.**

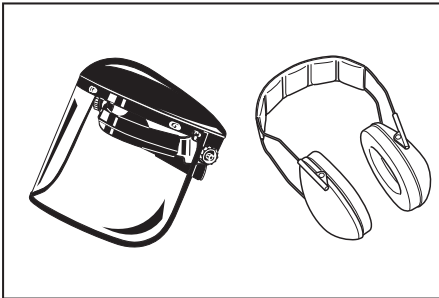
10. **Stay Alert - Watch what you are doing. Use common sense. Do not operate appliance when you are tired.**
11. **Store idle appliances indoors.**
12. **Keep fingers away from switch trigger when not operating the tool and when moving from one operating position to another.**

Intended use of the tool

1. **Use right tool. The cordless string trimmer is only intended for cutting grass and light weeds. It should not be used for any other purpose such as edging or hedge cutting as this may cause injury.**
2. **Use only the manufacturer's recommended accessories and attachments. Use of any other accessories and attachments may increase the risk of injury.**

Personal protective equipment

1. **Dress Properly. The clothing worn should be functional and appropriate, i.e. it should be tight-fitting but not cause hindrance. Do not wear loose clothing or jewelry. They can be caught in moving parts. Use of thick leather gloves and substantial footwear is recommended when working outdoors. Wear protective hair covering to contain long hair.**
2. **In order to avoid either head, eye, hand or foot injuries as well as to protect your hearing the following protective equipment and protective clothing must be used during operation of the equipment.**



3. **Always wear a helmet where there is a risk of falling objects. The protective helmet is to be checked at regular intervals for damage and is to be replaced at least every five years. Use only approved protective helmets.**
4. **Use safety glasses. The visor of the helmet (or alternatively goggles) protects the face from flying debris and stones. During operation of the tool always wear goggles, or a visor to prevent eye injuries.**
5. **Wear adequate noise protection equipment to avoid hearing impairment (ear muffs, ear plugs etc.).**



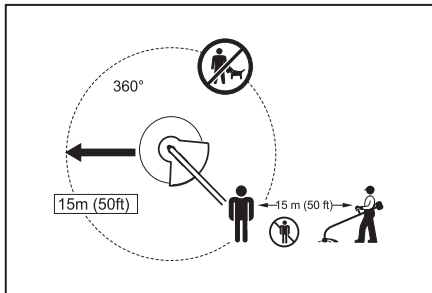
6. **Work overalls protect against injury from flying stones and debris. It is strongly recommended that the user wears work overalls.**
7. **Special gloves made of thick leather are part of the prescribed equipment and must always be worn during operation of the tool.**
8. **When using the tool, always wear sturdy shoes with a nonslip sole. This protects against injuries from flying debris and ensures a good footing.**
9. **Use a dust mask if operation is dusty.**

Electrical and battery safety

1. **Avoid dangerous environment. Don't use the tool in damp or wet locations or expose it to rain. Water entering the tool will increase the risk of electric shock.**
2. **Prevent unintentional starting. Ensure the switch is in the off-position before connecting to battery pack, picking up or carrying the machine. Carrying the machine with your finger on the switch or energizing machine that have the switch on invites accidents.**
3. **Disconnect the battery pack from the machine before making any adjustments, changing accessories, or storing machine. Such preventive safety measures reduce the risk of starting the machine accidentally.**
4. **Recharge only with the charger specified by the manufacturer. A charger that is suitable for one type of battery pack may create a risk of fire when used with another battery pack.**
5. **Use machines only with specifically designated battery packs. Use of any other battery packs may create a risk of injury and fire.**
6. **When battery pack is not in use, keep it away from other metal objects, like paper clips, coins, keys, nails, screws or other small metal objects, that can make a connection from one terminal to another. Shorting the battery terminals together may cause burns or a fire.**
7. **Under abusive conditions, liquid may be ejected from the battery; avoid contact. If contact accidentally occurs, flush with water. If liquid contacts eyes, seek medical help. Liquid ejected from the battery may cause irritation or burns.**
8. **Do not use a battery pack or machine that is damaged or modified. Damaged or modified batteries may exhibit unpredictable behaviour resulting in fire, explosion or risk of injury.**

9. Do not expose a battery pack or machine to fire or excessive temperature. Exposure to fire or temperature above 130°C (265°F) may cause explosion.
10. Follow all charging instructions and do not charge the battery pack or machine outside of the temperature range specified in the instructions. Charging improperly or at temperatures outside of the specified range may damage the battery and increase the risk of fire.
11. Have servicing performed by a qualified repair person using only identical replacement parts. This will ensure that the safety of the product is maintained.
12. Do not modify or attempt to repair the machine or the battery pack except as indicated in the instructions for use and care.
13. Do not dispose of the battery(ies) in a fire. The cell may explode. Check with local codes for possible special disposal instructions.
14. Do not open or mutilate the battery(ies). Released electrolyte is corrosive and may cause damage to the eyes or skin. It may be toxic if swallowed.
15. Do not charge battery in rain, or in wet locations.

Starting up the tool



1. Make sure that there are no children or other people within a working range of 15 meters (50 ft), also pay attention to any animals in the working vicinity. Otherwise stop using the tool.
2. Before use always check that the tool is safe for operation. Check the security of the nylon cutting head and the guard and the switch trigger/lever for easy and proper action. Check for clean and dry handles and test the on/off function of the switch.
3. Check damaged parts before further use of the tool. A guard or other part that is damaged should be carefully checked to determine that it will operate properly and perform its intended function. Check for alignment of moving parts, binding of moving parts, breakage of parts, mounting, and any other condition that may affect its operation. A guard or other part that is damaged should be properly repaired or replaced by our authorized service center unless indicated elsewhere in this manual.

4. Switch on the motor only when hands and feet are away from the nylon cutting head.
5. Before starting make sure that the nylon cutting head has no contact with hard objects such as branches, stones etc. as the nylon cutting head will revolve when starting.
6. Remove any adjusting key, wrench or blade cover before turning the power tool on. An accessory left attached to a rotating part of the power tool may result in personal injury.
7. Make sure there are no electrical cables, water pipes, gas pipes etc. that could cause a hazard if damaged by use of the tool.
8. Do not use a cutting tool which is not recommended by TOTAL.

Method of operation

1. Only use the tool in good light and visibility. During the winter season beware of slippery or wet areas, ice and snow (risk of slipping). Always ensure a safe footing.
2. Take care against injury to feet and hands from the nylon cutting head.
3. Never cut above waist height.
4. Never stand on a ladder and run the tool.
5. Never climb up into trees to perform cutting operation with the tool.
6. Never work on unstable surfaces.
7. Remove sand, stones, nails etc. found within the working range. Foreign particles may damage the nylon cutting head.
8. Should the nylon cutting head hit stones or other hard objects, immediately switch off the motor and inspect the nylon cutting head.
9. Before commencing cutting, the nylon cutting head must have reached full working speed.
10. During operation always hold the tool with both hands. Never hold the tool with one hand during use. Always ensure a safe footing.
11. The nylon cutting head has to be equipped with the guard. Never run the tool with damaged guards or without guards in place!
12. All protective equipment such as guards supplied with the string trimmer must be used during operation.
13. Except in case of emergency, never drop or cast the tool to the ground or this may severely damage the tool.
14. Never drag the tool on the ground when moving from place to place, the tool may become damaged if moved in this manner.
15. Always remove the battery cartridge from the tool:
 - whenever leaving the tool unattended;
 - before clearing a blockage;
 - before checking, cleaning or working on the tool;
 - whenever the tool starts vibrating abnormally;
 - whenever transporting the tool.
16. Always ensure that the ventilation openings are kept clear of debris.

17. Cutting elements continue to rotate after the motor is switched off.
18. Do not operate power tools in explosive atmospheres, such as in the presence of flammable liquids, gases or dust. Power tools create sparks which may ignite the dust or fumes.
19. Take a rest to prevent loss of control caused by fatigue. We recommend to take a 10 to 20-minute rest every hour.
20. Hold the power tool by insulated gripping surfaces only, because the cutting tool may contact hidden wiring. Cutting tool contacting a "live" wire may make exposed metal parts of the power tool "live" and could give the operator an electric shock.
21. Do not use the tool on steep slopes.
22. The shoulder harness must be used during operation, if supplied with the tool.
23. Do not start the tool when the cutting tool is tangled with cut grass.
24. Before starting the tool, be sure that the cutting tool is not touching the ground and other obstacles such as a tree.
25. Always keep your hands, face, and clothes away from the cutting tool when it is rotating. Failure to do so may cause personal injury.
26. Only use the cutting tool that are marked with a speed equal or higher than the speed marked on the tool.

Maintenance instructions

1. The condition of the nylon cutting head, protective devices must be checked before commencing work.
2. Turn off the motor and remove the battery cartridge before carrying out maintenance, replacing the nylon cutting head or nylon cord and cleaning the tool.
3. Check for loose fasteners and damaged parts such as cracks in the nylon cutting head.
4. Follow instructions for lubricating and changing accessories if applicable.
5. When not in use store the equipment in an indoor dry location that is locked up or out of children's reach.
6. Use only the manufacturer's recommended replacement parts and accessories.
7. Inspect and maintain the tool regularly, especially before/after use. Have the tool repaired only by our authorized service center.
8. Keep handles dry, clean and free from oil and grease.
9. Always keep the tool in good working condition. Poor maintenance can result in inferior performance and shorten the life of the tool.

SAVE THESE INSTRUCTIONS.

⚠WARNING: DO NOT let comfort or familiarity with product (gained from repeated use) replace strict adherence to safety rules for the subject product. MISUSE or failure to follow the safety rules stated in this instruction manual may cause serious personal injury.

⚠WARNING: Use of this product can create dust containing chemicals which may cause respiratory or other illnesses. Some examples of these chemicals are compounds found in pesticides, insecticides, fertilizers and herbicides.

Your risk from these exposures varies, depending on how often you do this type of work. To reduce your exposure to these chemicals: work in a well ventilated area, and work with approved safety equipment, such as those dust masks that are specially designed to filter out microscopic particles.

Symbols

The followings show the symbols used for tool.

V	volts
— — —	direct current
n ₀	no load speed
... /min r /min	revolutions or reciprocation per minute

Important safety instructions for battery cartridge

1. Before using battery cartridge, read all instructions and cautionary markings on (1) battery charger, (2) battery, and (3) product using battery.
2. Do not disassemble battery cartridge.
3. If operating time has become excessively shorter, stop operating immediately. It may result in a risk of overheating, possible burns and even an explosion.
4. If electrolyte gets into your eyes, rinse them out with clear water and seek medical attention right away. It may result in loss of your eyesight.
5. Do not short the battery cartridge:
 - (1) Do not touch the terminals with any conductive material.
 - (2) Avoid storing battery cartridge in a container with other metal objects such as nails, coins, etc.
 - (3) Do not expose battery cartridge to water or rain.

A battery short can cause a large current flow, overheating, possible burns and even a breakdown.
6. Do not store the tool and battery cartridge in locations where the temperature may reach or exceed 50 °C (122 °F).
7. Do not incinerate the battery cartridge even if it is severely damaged or is completely worn out. The battery cartridge can explode in a fire.
8. Be careful not to drop or strike battery.
9. Do not use a damaged battery.

10. **The contained lithium-ion batteries are subject to the Dangerous Goods Legislation requirements.**

For commercial transports e.g. by third parties, forwarding agents, special requirement on packaging and labeling must be observed. For preparation of the item being shipped, consulting an expert for hazardous material is required. Please also observe possibly more detailed national regulations.

Tape or mask off open contacts and pack up the battery in such a manner that it cannot move around in the packaging.

11. **Follow your local regulations relating to disposal of battery.**
12. **Use the batteries only with the products specified by Makita.** Installing the batteries to non-compliant products may result in a fire, excessive heat, explosion, or leak of electrolyte.

SAVE THESE INSTRUCTIONS.

⚠️ CAUTION: Only use genuine TOTAL batteries. Use of non-genuine TOTAL batteries, or batteries that have been altered, may result in the battery bursting causing fires, personal injury and damage. It will also void the TOTAL warranty for the TOTAL tool and charger.

Tips for maintaining maximum battery life

1. **Charge the battery cartridge before completely discharged. Always stop tool operation and charge the battery cartridge when you notice less tool power.**
2. **Never recharge a fully charged battery cartridge. Overcharging shortens the battery service life.**
3. **Charge the battery cartridge with room temperature at 10 °C - 40 °C (50 °F - 104 °F). Let a hot battery cartridge cool down before charging it.**
4. **Charge the battery cartridge if you do not use it for a long period (more than six months).**

	This graphic accompanied by the words WARNING and DANGER calls attention to an act of a condition which can lead to SERIOUS INJURY.
	READ & UNDERSTAND Operator's Manual and Safety Manual.
	ALWAYS WEAR EYE PROTECTION, EAR PROTECTION AND HEAD PROTECTION.
	WEAR FOOT PROTECTION
	WEAR GLOVES
	BEWARE OF THROWN OBJECTS HIT BY CUTTING ATTACHMENTS. NEVER USE WITHOUT PROPERLY MOUNTED BLADE GUARD.
	KEEP 15 METERS AWAY FROM ANY OTHER PERSON
	DO NOT EXPOSE TO RAIN
	DO NOT USE ROUND BLADES
	MAX. SPEED OF OUTPUT SHAFT, RPM
	DANGER ; BE AWARE OF THROWN OBJECTS
	KEEP BYSTANDERS AWAY.

PARTS DESCRIPTION



1	Speed indicator	2	Main power button	3	Speed control button
4	Battery cartridge	5	Lock-off lever	6	Switch trigger

7	D Hanger	8	Protector (for blade cutting head)
9	Shoulder harness		

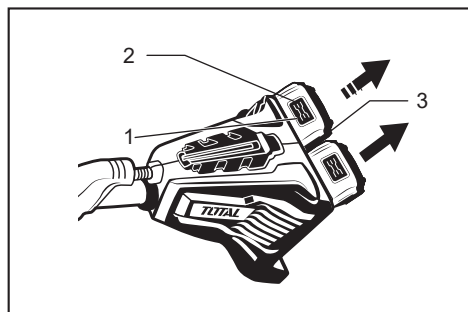
FUNCTIONAL DESCRIPTION

⚠WARNING: Always be sure that the tool is switched off and the battery cartridge is removed before adjusting or checking function on the tool. Failure to switch off and remove the battery cartridge may result in serious personal injury from accidental start-up.

Installing or removing battery cartridge

⚠CAUTION: Always switch off the tool before installing or removing of the battery cartridge.

⚠CAUTION: Hold the tool and the battery cartridge firmly when installing or removing battery cartridge. Failure to hold the tool and the battery cartridge firmly may cause them to slip off your hands and result in damage to the tool and battery cartridge and a personal injury.



► 1. Red indicator 2. Button 3. Battery cartridge

To remove the battery cartridge, slide it from the tool while sliding the button on the front of the cartridge.

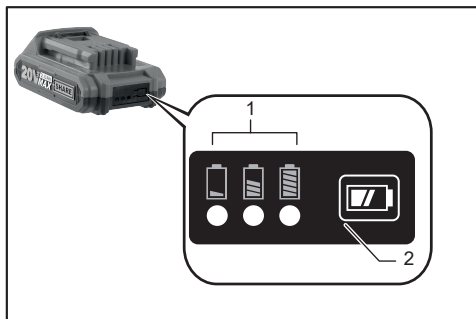
To install the battery cartridge, align the tongue on the battery cartridge with the groove in the housing and slip it into place. Insert it all the way until it locks in place with a little click. If you can see the red indicator on the upper side of the button, it is not locked completely.

⚠CAUTION: Always install the battery cartridge fully until the red indicator cannot be seen. If not, it may accidentally fall out of the tool, causing injury to you or someone around you.

⚠CAUTION: Do not install the battery cartridge forcibly. If the cartridge does not slide in easily, it is not being inserted correctly.

Indicating the remaining battery capacity

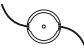
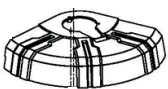
Only for battery cartridges with the indicator



► 1. Indicator lamps 2. Check button

Correct combination of the cutting tool and the protector

⚠CAUTION: Always use the correct combination of cutting tool and the protector. A wrong combination may not protect you from the cutting tool, flying debris, and stones. It can also affect the balance of the tool and result in an injury.

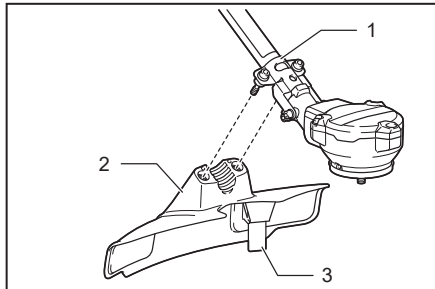
Cutting tool	Protector
Nylon cutting head 	

Installing the protector

⚠WARNING: Never use the tool without the guard illustrated in place. Failure to do so can cause serious personal injury.

⚠CAUTION: Take care not to injure yourself on the cutter for cutting the nylon cord.

Attach the protector to the clamp using bolts.



► 1. Clamp 2. Protector 3. Cutter

Installing the cutting tool

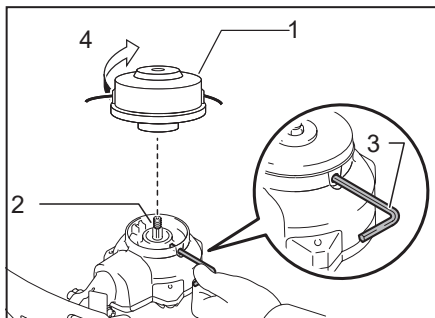
⚠CAUTION: Always use the supplied wrench(es) to remove or to install the cutting tool.

⚠CAUTION: Be sure to remove the hex wrench inserted into the tool head after installing the cutting tool.

NOTE: The type of the cutting tool(s) supplied as the standard accessory varies depending on the countries. The cutting tool is not included in some specifications of the model.

NOTE: Turn the tool upside down so that you can replace the cutting tool easily.

NOTICE: Be sure to use genuine TOTAL nylon cutting head.



► 1. Nylon cutting head 2. Spindle 3. Hex wrench
4. Loosen

1. Insert the hex wrench through the hole in the tool head to lock the shaft. Rotate the shaft until the hex wrench is fully inserted.

2. Place the nylon cutting head onto the spindle and tighten it securely by hand.

3. Remove the hex wrench from the tool head.

To remove the nylon cutting head, follow the installation procedures in reverse.

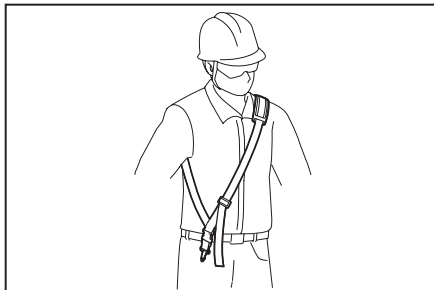
OPERATION

Attaching the shoulder harness

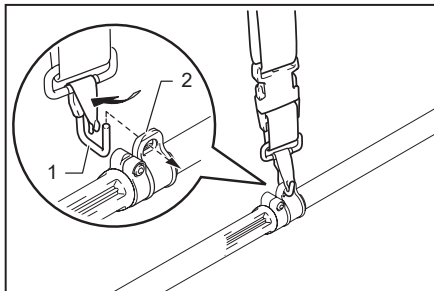
⚠CAUTION: Always use the shoulder harness attached to the tool. Before operation, adjust the shoulder harness according to the user size to prevent fatigue.

⚠CAUTION: Before operation, make sure that the shoulder harness is properly attached to the hanger on the tool.

1. Wear the shoulder harness on your left shoulder.

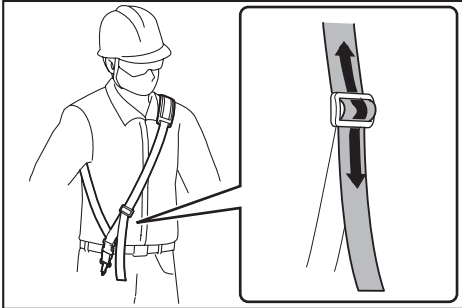


2. Clasp the hook on the shoulder strap to tool's hanger.

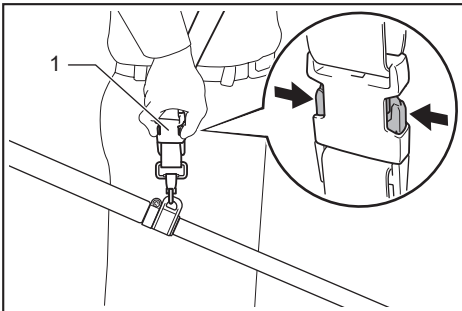


► 1. Hook 2. Hanger

3. Adjust the shoulder harness to a comfortable working position.



The shoulder harness features a means of quick release. Simply squeeze the sides of the buckle to release the tool from the shoulder harness.



► 1. Buckle

Correct handling of the tool

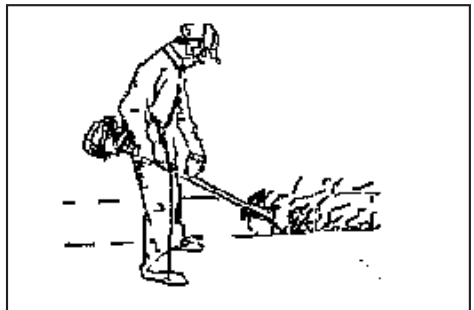
⚠WARNING: Always position the tool on your right-hand side. Correct positioning of the tool allows for maximum control and will reduce the risk of serious personal injury.

⚠WARNING: Be extremely careful to maintain control of the tool at all times. Do not allow the tool to be deflected toward you or anyone in the work vicinity. Failure to keep control of the tool could result in serious injury to the bystander and the operator.

⚠WARNING: To avoid accident, leave more than 15m (50 ft) distance between operators when two or more operators work in one area. Also, arrange a person to observe the distance between operators. If someone or an animal enters the working area, immediately stop the operation.

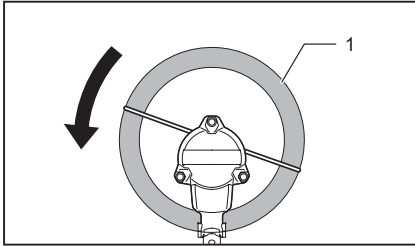
⚠CAUTION: If the cutting tool accidentally impacts a rock or hard object during operation, stop the tool and inspect for any damage. If the cutting tool is damaged, replace it immediately. Use of a damaged cutting tool may result in serious personal injury.

Correct positioning and handling allow optimum control and reduce the risk of injury.



When using a nylon cutting head (bump & feed type)

The nylon cutting head is a dual string trimmer head provided with a bump & feed mechanism. To feed out the nylon cord, tap the cutting head against the ground while rotating.



- ▶ 1. Most effective cutting area

NOTICE: The bump feed will not operate properly if the nylon cutting head is not rotating.

NOTE: If the nylon cord does not feed out while tapping the head, rewind/replace the nylon cord by following the procedures in the section for the maintenance.

MAINTENANCE

⚠WARNING: Always be sure that the tool is switched off and battery cartridge is removed before attempting to perform inspection or maintenance on the tool. Failure to switch off and remove the battery cartridge may result in serious personal injury from accidental start-up.

NOTICE: Never use gasoline, benzene, thinner, alcohol or the like. Discoloration, deformation or cracks may result.

To maintain product SAFETY and RELIABILITY, repairs, any other maintenance or adjustment should be performed by TOTAL Authorized or Factory Service Centers, always using TOTAL replacement parts.

Replacing the nylon cord

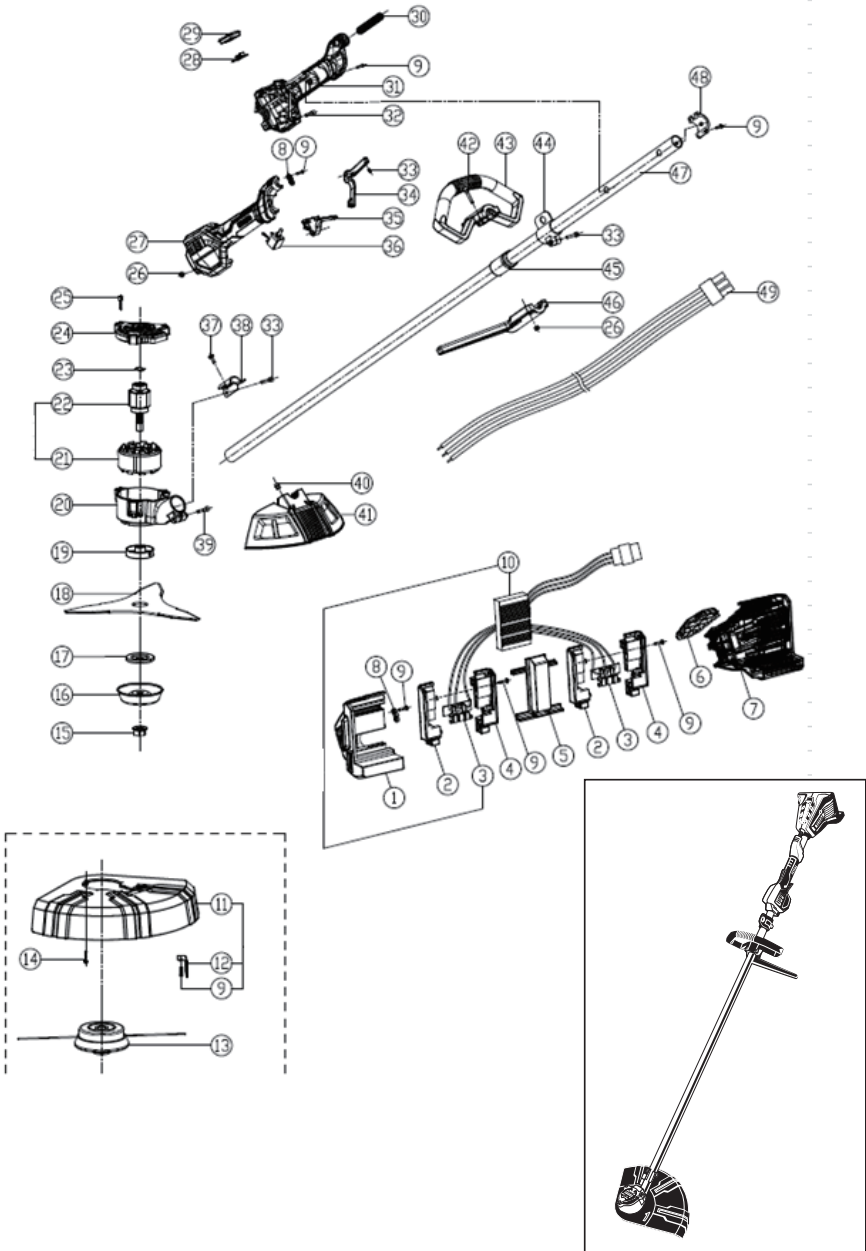
⚠WARNING: Use only the nylon cord with diameter specified in this instruction manual. Never use heavier line, metal wire, rope or the like. Failure to do so may cause damage to the tool and result in serious personal injury.

⚠WARNING: Always remove the nylon cutting head from the tool when replacing the nylon cord.

⚠WARNING: Make sure that the cover of the nylon cutting head is secured to the housing properly as described below. Failure to properly secure the cover may cause the nylon cutting head to fly apart resulting in serious personal injury.

Replace the nylon cord if it is not fed any more. The method of replacing the nylon cord varies depending on the type of the nylon cutting head.

TSTLI20028 TSTLI200285 TSTLI200285E TSTLI200285X TSTLI200285-X
 TSTLI200285S TSTLI200285H TSTLI200285M TSTLI200285A UTSTLI200285
 UTSTLI200285X UTSTLI200285-X (X stands for 1 to 9) Exploded view



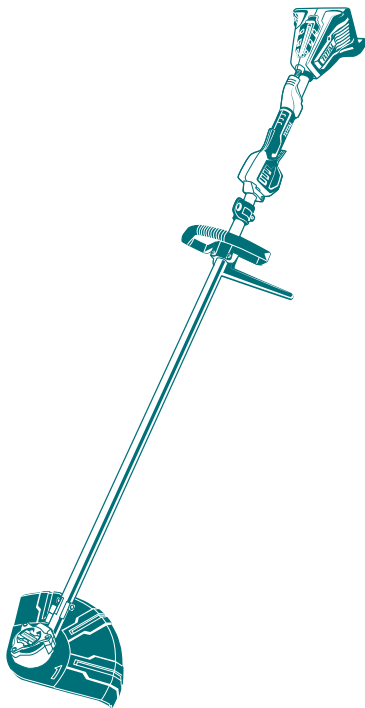
TSTLI20028 TSTLI200285 TSTLI200285E TSTLI200285X TSTLI200285-X
TSTLI200285S TSTLI200285H TSTLI200285M TSTLI200285A UTSTLI200285
UTSTLI200285X UTSTLI200285-X (X stands for 1 to 9) Spare part list

NO.	Part Description	Qty	NO.	Part Descriptio	Qty
1	Left housing	1	26	Nut	5
2	Left shell	2	27	Left handle	1
3	electrode tip holder	2	28	Switch PCB board	1
4	Right shell	2	29	Speed control panel	1
5	Stator	1	30	Conductors	1
6	Decorative panels	1	31	Right handle	1
7	Right housing	1	32	Screw	3
8	Wireboard	2	33	spring	1
9	Screw	26	34	trigger	1
10	PCB control panel& Electrode holder	1	35	Trigger	1
11	Cover with grass	1	36	Power switch	1
12	Broken wire blade	1	37	Bolt	2
13	trimmer head	1	38	Cover fixing plate	1
14	Screw	3	39	Screw	1
15	Nut	1	40	Nut	2
16	Blade presser	1	41	Cover	1
17	Blade lower pressure plate	1	42	Screw	4
18	Cut irrigation blade	1	43	D handle	1
19	Blade plate	1	44	Aluminum hook	1
20	Motor seat	1	45	rubber sleeve	1
21	Stator	1	46	D handle seat	1
22	Rotor	1	47	Engine Shaft	1
23	Waveform gasket	1	48	Aluminum Pipe Plate	1
24	Motor cover	1	49	Motor connection wire	1
25	Screw	3			

TOTAL

One-Stop Tools Station

TOTAL



**LITHIUM STRING TRIMMER
AND BRUSH CUTTER**

www.totalbusiness.com
TOTAL TOOLS CO., PTE. LTD.
No.45 Songbei Road, Suzhou Industrial Park, China.
MADE IN CHINA
T0621 V03

40V