



IRRORATRICE A SPALLA ELETTRICA V_BLACK SMART <i>MANUALE D'USO</i>	ITALIANO pag. 5
SHOULDER ELECTRIC SPRAYER V_BLACK SMART <i>USER MANUAL</i>	ENGLISH page 12
PULVERIZADOR A MOCHILA ELÉCTRICO V_BLACK SMART <i>MANUAL DE USO</i>	ESPAÑOL pag. 19
PULVÉRISATEUR ELECTRIC V_BLACK SMART <i>MODE D'EMPLOI</i>	FRANÇAIS pag. 26
ELEKTRISCHE RÜCKENSPRITZE V_BLACK SMART <i>BENUTZERHANDBUCH euch</i>	Deutsche Seite 33



ATTENZIONE: LEGGERE ATTENTAMENTE IL MANUALE D'USO PRIMA DI UTILIZZARE L'UTENSILE PER LA PRIMA VOLTA

CAUTION: READ THE USER MANUAL CAREFULLY FIRST BEFORE USE

PRECAUCIÓN: LEA EL MANUAL DEL USUARIO CUIDADOSAMENTE ANTES DE USAR

ATTENTION: LISEZ ATTENTIVEMENT LE MANUEL DE L'UTILISATEUR AVANT UTILISATION

ACHTUNG: LESEN SIE DIE BEDIENUNGSANLEITUNG SORGFÄLTIG DURCH, BEVOR SIE DAS WERKZEUG ZUM ERSTEN MAL BENUTZEN

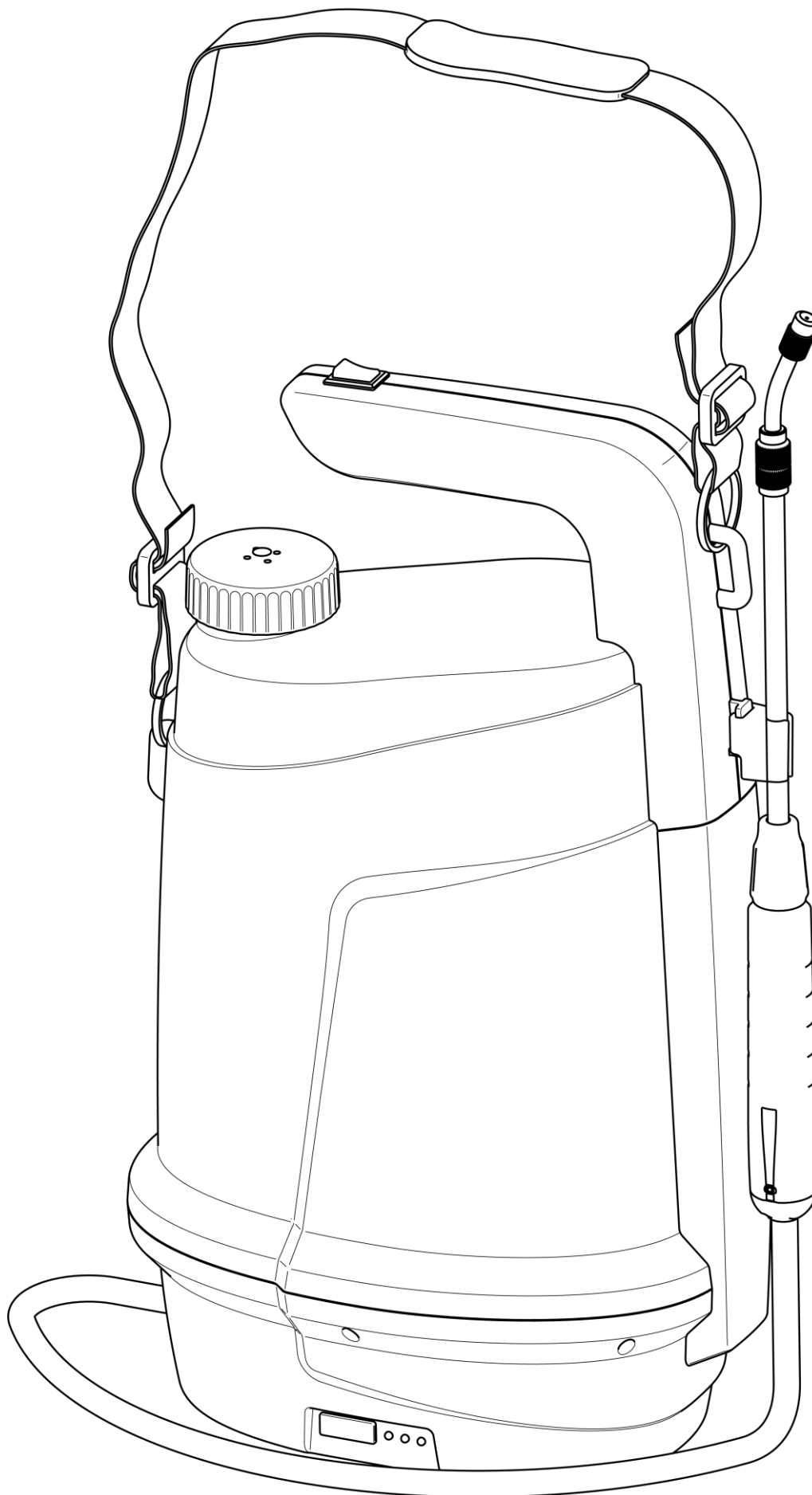


Fig. "A"



ENGLISH Translation of the original instructions

SUMMARY

1.	HANDBOOK DESCRIPTION	12
2.	SPRAYER DESCRIPTION	12
3.	GENERAL INSTRUCTIONS.....	13
4.	TRANSPORT AND HANDLING INSTRUCTIONS.....	14
5.	INSTRUCTIONS FOR USE	14
6.	MAINTENANCE	16
7.	PROBLEMS – CAUSES – SOLUTIONS	16
8.	INSTRUCTIONS FOR DISMANTLEMENT AND DISPOSAL	17
9.	SPARE-PARTS HANDBOOK	17
10.	WARRANTY.....	17
11.	CE DECLARATION OF CONFORMITY TRANSLATION OF THE ORIGINAL TEXT	18

INTRODUCTION

Our congratulation for the choice made. The main features of our electric sprayers are the high quality of their parts and their long lasting lifetime. They have been studied to resist any weather condition and they guarantee a maximum efficacy with the lowest power waste. As all our other products this sprayer went through accurate and precise tests; if it is used according to the instructions below, it will meet your needs for many years and a very reliable spare-parts service will give you the possibility to make repairs with original parts for a long time.

1. HANDBOOK DESCRIPTION

1.1. INTRODUCTION

Please kindly study very carefully this instruction handbook before any setting, use, maintenance or any other imaginable operation of/on the sprayer.

A correct use of the sprayer and an effective and rational maintenance allows you to keep the sprayer in the best working conditions without reducing its efficacy and safety.

The present instruction handbook was drawn up in conformity with the indications included in ENCLOSURE I of the MACHINERY DIRECTIVE 2006/42/CE” and is considered an integral and essential part of the sprayer.

This handbook must be kept close to the sprayer and ready for consultation; it must be kept together with the sprayer during its whole lifetime, from the starting test until the final dismantling.

1.2. PURPOSES AND LIMITS OF THE HANDBOOK

This manual is intended for the use of:

- Describe the operation and conditions for use of the sprayer.
- Show the main technical features of the sprayer.
- Provide the correct instructions for use.
- Underline the potential risks and/or possible dangerous situations.
- Provide instructions for maintenance and repair.
- Enable understanding of possible operational problems and how to solve them.

In addition to the observance of the instructions contained in this handbook, the use of the sprayer depends on the respect of all the safety rules in force.

2. SPRAYER DESCRIPTION

2.1. TECHNICAL FEATURES

The Sprayer “V_SMART” must have used only with products approved by the authorities that regulate the phytosanitary products, and the liquid solutions dispensed must not exceed temperatures of 40°C.

WARNING: do not use the sprayer with pesticides.

Pump	diaphragm pump
Rechargeable lithium battery	3,7V DC 2,6 Ah
Adjustable cone nozzle	YES
Working pressure	0 ÷ 2 bar
Delivery	Up to 0,35 lt. /min
Litres deliverable for each battery charge	Up to 52,5
Tank capacity	5 lts
Net weight without lance	1,25 kg
Weight with full tank	6,25 kg
Gross weight with packaging	1,45 kg
Sprayer filter	YES
Battery charger port	Micro USB

2.2. ALLOWED ENVIRONMENTAL CONDITIONS

The environmental conditions where the sprayer can work are: Temperature: 5÷40° C; Humidity: 0÷70% (not condensed). It is also necessary to put the sprayer protected from bad weather, sunrays and cold weather, in a clean and dry place.

WARNING: THE SPRAYER IS NOT SUITABLE TO BE USED IN ENVIRONMENT UNDER EXPLOSION RISK CONDITIONS.

2.3. NOISE AND VIBRATIONS

The vibrations and noise produces while using the sprayer is largely below the disturbance threshold by law and cannot cause harm to the operator (surface sound pressure level <70dBA; vibration machine <2,5m/s²).

3. GENERAL INSTRUCTIONS

3.1. SAFETY WARNINGS AND CAUTIONS TO BE OBSERVED

In spite of the adopted cautions, the sprayer may involve dangerous situations and potential risks in the working area. It is necessary to analyze carefully the potential presence of these dangerous situations and risks in order to assure safe working procedures, appropriate behaviour rules and to plan individual protective devices.

- DURING USE OF THE SPRAYER, THE OPERATOR MUST FOLLOW SAFE WORKING PROCEDURES AND FOLLOW THE SECURITY RULES AND REGULATIONS.
- Do not use products whose toxicological features are unknown. Use exclusively products authorized by the Public Health Ministry, carefully respecting all the instructions listed on the packaging.
- For children, teen-agers and pregnant women it is strictly forbidden to use the sprayer.
- Do not use in case of tiredness, illness or under the effect of alcohol, drugs or medicines that can affect the physical and mental state.
- Do not spray solvents, acids and inflammable liquids.
- Always wear protective clothes and devices, in order to avoid any contact with harmful and toxic products:
 - Hand protection
 - Body protection
 - Respiratory protection
 - Eye protection
- Carefully avoid breathing fumes or drops of the chemical solution: in case of accidental contact or inhalation call the doctor.
- Do not eat or smoke while using the sprayer.
- Use the sprayer in well airy and illuminated areas, not windy or shady.
- Do not use the sprayer upwind.
- Use the sprayer at least 6mt away from people or animals.
- Keep the sprayer far from children and domestic pets; do not spray close to fish aquariums.
- Do not eat treated fruits or vegetables before the date foreseen by the chemical product manufacturer and, in any case, wash them very carefully.
- Do not pressurize by means of under pressure devices.
- Do not disperse the remaining chemical solutions in the environment.
- After using the sprayer, carefully wash hands, face and clothes.
- Do not leave the sprayer out in bad weather conditions.
- The user is responsible for the fact that the sprayer is maintained at optimal operating conditions so the sprayer can function in a proper and safe way. Parts and accessories of the equipment must be replaced when they no longer assure a correct function of the sprayer.

3.2. PROHIBITIONS

- It is forbidden the use of pesticides
- It is forbidden to modify the sprayer's parts.
- It is forbidden to apply devices or accessories to the sprayer without the authorization of DAVIDE E LUIGI VOLPI S.P.A.
- It is forbidden to use solvents, such as alcohol, gasoline solvents or thinner, for the cleaning of the sprayer.

4. TRANSPORT AND HANDLING INSTRUCTIONS

The transport of the sprayer must be realized using all the necessary cautions in order to avoid damages.

When transporting the sprayer please make sure the switch on/off is always off.

During transport, the tank must always be empty or, if not possible, safely fixed in order to avoid accidental outpours of liquid.

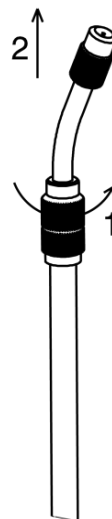
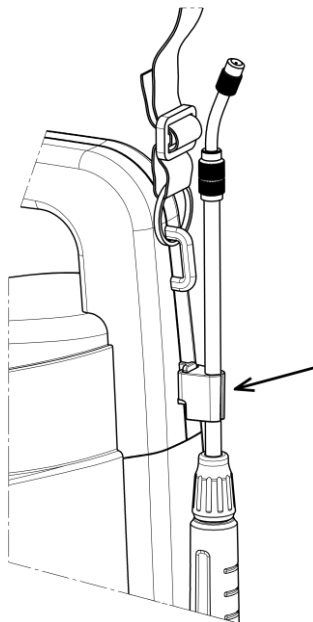
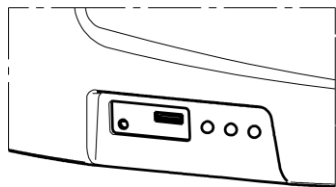
During transport and storing, do not put the sprayer on or under other material.

When moving the sprayer, it is recommended to avoid bumps, which could damage the product.

5. INSTRUCTIONS FOR USE

5.1. SETTING OF THE SPRAYER

- Take up the lance and turn it towards the floor.
- Turn on the sprayer using the on/off switch placed on the handgrip of the sprayer.
- Verify the eventual leakage of water left over in the circuit.
- Turn off the sprayer
- Verify the level of the charge of the battery through the leds on the side of the basis of the sprayer.
- N° 3 led turned on = battery charge 100%
- N° 2 led turned on = battery charge 50 %
- N° 1 led turned on = battery charge 20%
- N° 0 led turned on = low battery
- If the battery is low, follow the steps described in section 6.2
- The sprayer is equipped with a lance support placed at on back of the handgrip of the sprayer.
- To adjust the length of the lance you should loosen the ring (1) and then slide out (2) until the desired extent the internal part of the lance with the adjustable nozzle.



5.1 FILLING OF THE TANK

Prepare the solution in a specific container.

Unscrew the cap of the tank and pour the prepared solution through the filter. Carefully screw the cap.

WARNING:

Do not prepare the solution in the sprayer tank but always in a separate container.

Do not ever pour the solution into the tank without the use of the filter.

5.2 POSITIONING OF THE SPRAYER

Place the sprayer on an plane surface and at an appropriate height in order to make it easier to put on the shoulder straps previously adjusted using the two buckles.

5.3 SPRAYER START-UP

- Take up the lance and turn it towards the spraying area.
- Turn on the sprayer using the on/off switch placed on the handgrip of the sprayer.
- To stop the spraying, turn off the sprayer through the same switch.

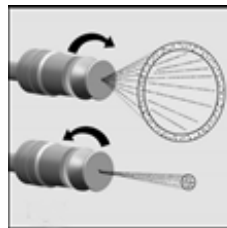
WARNING: Never let the sprayer work when the tank is empty.

WARNING: Avoid discharging the battery completely; when the battery is getting low, you need a full recharge. Completely recharge the battery before storing the sprayer for a long time.

5.4 NOZZLE REGULATION

This sprayer is supplied with adjustable cone nozzle.

Screwing or unscrewing the final part of the nozzle, it is possible to adjust the diameter of the “rose” spray until you get the “jet”.



ADJUSTABLE NOZZLE			
Pressure (bar)	Litres / min.	Battery operating time (hours)	Litres for each battery charge
1	0,35	2,5	52,5
2	0,24	2,0	29

Pressure adjustable through the nozzle

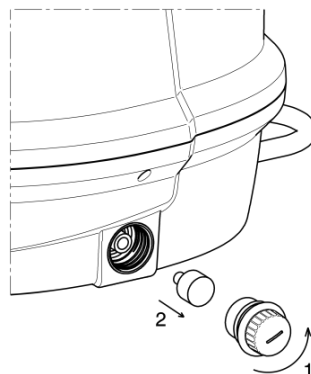
5.5 OPERATIONS TO BE CARRIED OUT AT TERMINATION OF WORK

When finishing work, pour the remaining liquid in a specific container and carefully rinse the internal of the tank and the hose letting it flow through the lance with clean cold water.

Check that the water used for rinsing has completely come out.

Turn off the general on/off switch.

After having cleaned the tank, remove, clean and reassemble the filter of the sprayer.



Clean the handle using a damp cloth without soaking it in water.

Remove from the tank eventual materials or objects that could damage the sprayer.

Wear clothes and protective devices during these activities.

WARNING: Do not disperse the rinsing water neither the remaining solution in the environment; it is recommended to pour all these liquids in specific drains, suitable for water purification and drainage.

Always switch off the general switch after every use.

Keep the sprayer out of reach from children, protected from sunrays and cold temperatures and with completely charged battery.

5.6 CHANGE OF LIQUID IN THE TANK

In case a change of the liquid inside the tank is necessary, follow the instructions given in point 5.6 and after that, the instructions in point 5.2.

6 MAINTENANCE

6.1 INTRODUCTION

A correct use of the sprayer and a regular maintenance are necessary to keep the sprayer in the best working, efficacy and safety conditions.

Use exclusively original spare-parts.

6.2 BATTERY RECHARGE

The sprayer powered by a sealed storage battery, rechargeable through USB cable (not included) to be connected to the Micro USB port which is placed on the basis of the sprayer, next to the led indicators of the charge level.

The Micro USB port is secured by a proper cover.

WARNING: During the recharge operations, follow safe working procedures and carefully observe the general safety rules. In order to recharge the battery, follow these instructions:

- Turn off the general switch
- Open the cover of the Micro USB port.
- Connect the USB cable of the power supply (not included) to the Micro USB port placed at the basis of the sprayer.
- Once the recharge process has started all the led lights flash sequentially. When the 3 led are all turned on, the recharge is almost complete.
- To recharge the battery completely, you need 3-4 hours.
- Once the recharge is completed, place the cover on the Micro USB port again.
- During long periods of inactivity, check that the general switch is off.

The battery life mostly depends on the observance of some important rules:

- Do not create a short-circuit.
- Do not discharge it excessively: when the battery is almost discharged, charge it immediately.
- Promptly recharge it with the general on/off switch turned off and respecting the necessary time of charging.
- Do not turn on the sprayer during the charging phases.
- Always store the sprayer with the general switch off.
- After the complete recharge keep the sprayer between 5 and 40° C.
- In case of long stocking or non-use, **recharge the battery every four months.**

7 PROBLEMS – CAUSES – SOLUTIONS

PROBLEMS		POSSIBLE CAUSES	SOLUTIONS
When turning on the switch of the sprayer, no water is coming out	Motor does not work	Low battery	Recharge
		Blocked sprayer	Contact the service centre
		Broken cable	Contact the service centre
		Engine failure	Contact the service centre
	Motor works	Clogged nozzle	Clean
		Clogged sprayer filter	
		Clogged handle filter	Clean
When turning on the switch of the sprayer, a little water is coming out.		Dirty sprayer filter	Clean
		Defective sprayer	Contact the service centre
		Dirty nozzle	Clean
Battery working time is not as expected	Lower working time	Battery not fully charged	Recharge the battery
	No endurance	Broken cable	Contact the service centre

8 INSTRUCTIONS FOR DISMANTLEMENT AND DISPOSAL

To dismantle the sprayer, it is necessary to operate according to laws in force, contacting, if necessary, specialized companies in materials disposal.

The sprayer is made of non-dangerous materials:

- Plastic and synthetic materials;
- Iron metals (steel) and non-iron metals (aluminium-brass-copper);
- Electric battery

9 SPARE-PARTS HANDBOOK

Ref.	Item code	Description	Pieces in each pack
1	19SMER010	Lower case	1
2	19SMER020	Tank	1
3	19SMER030	Cable cover	1
4	19SMER040	Left handle	1
5	19SMER050	Right handle	1
6	19SMER060	Lid with valve and OR	1
7	19SMER070	Filling filter	1
8	19SMER080	Pump filter with body, lid end OR	1
9	19SMER081	Pump filter	2
10	19SMER090	Electronic board with lithium battery	1
11	19SMER100	Diaphragm pump	1
12	19SMER101	Locking pump	1
13	19SMER110	Hose gasket	2
14	19SMER120	Pressure hose	1
15	19SMER130	Telescopic lance	1
16	19SMER131	Lance support	2
17	19SMER132	Non return valve	1
18	19SMER140	Switch	1
19	19SMER150	Rubber Micro USB cover	10
20	19SMER160	Shoulder strap	1
21	19SMER170	Tank screws and hose clamps kit	1

10 WARRANTY

24 months warranty for private users and 12 months warranty for professional users. It covers core parts, including Li-battery, charger, motor and transmission mechanism.

Following conditions invalidate the warranty:

- Any abnormal operation
- Product not maintained as per the Maintenance Instruction
- Product modifications
- Any damages even if made by mistake
- Damaged after amateurish repairing.
- Nature caused damages
- Battery not recharged with the requested frequency
- Components subjected to wear during normal operation are not covered by warranty.

The warranty is valid only for products that have been registered through the website within 30 days from the purchase date.

For more information you can write to

info@volpioriginale.it

Activate the warranty for your new product Originale Volpi through our website:

<http://www.volpioriginale.it/garanzia/>



Davide e Luigi Volpi S.p.A.
 Via San Rocco,10 – 46040 Casalromano (MN) – Italy
 Tel. +39 0376.76009 - 76012 Fax. +39 0376.76408
 www.volpioriginale.it

**COMPANY WITH QUALITY SYSTEM
 MANAGEMENT CERTIFIED BY ICIM
 = ISO 9001 =**

E-mail: commerciale@volpioriginale.it – export@volpioriginale.it



The buyer must also keep a copy of the sales document (receipt, invoice) and of the warranty registration: a copy of these documents must be given to the Dealer or Authorized Customer Service together with the machine to be repaired. In the absence of these documents, the machine will in any case be considered out of warranty

11 CE DECLARATION OF CONFORMITY Translation of the original text

GB	<p>The Company Davide e Luigi Volpi S.p.A. Via San Rocco, 10 – 46040 Casalromano (MN) ITALIA</p>	CE
DECLARES THAT THE MACHINE		
Denomination:	ELECTRIC SPRAYER	
Type:	V-BLACK SMART	
Model:	19SME	
<p>IS IN CONFORMITY WITH THE RELEVANT COMMUNITY HARMONISATION LEGISLATION: DIRECTIVE 2006/42/CE Machinery Directive DIRECTIVE 2014/30/UE Electromagnetic Compatibility</p>		
<p>Reference to the relevant harmonized standards used or references to other technical specifications for which conformity is declared: UNI EN ISO 12100:2010 – EN 61000-6-1:2007 - EN 61000-6-3:2007 - EN 61000-3-2:2014 - EN 61000-3-3:2013</p>		
Authorized person to set up the technical documentation:		
Name:	Davide e Luigi Volpi S.p.A.	
Residence:	Via San Rocco 10 – 46040 Casalromano (MN) Italia	
<p>This Declaration of Conformity is issued under the sole responsibility of the manufacturer.</p>		
Casalromano, December 10 th 2019		<p>The legal representative Eligio Volpi</p>