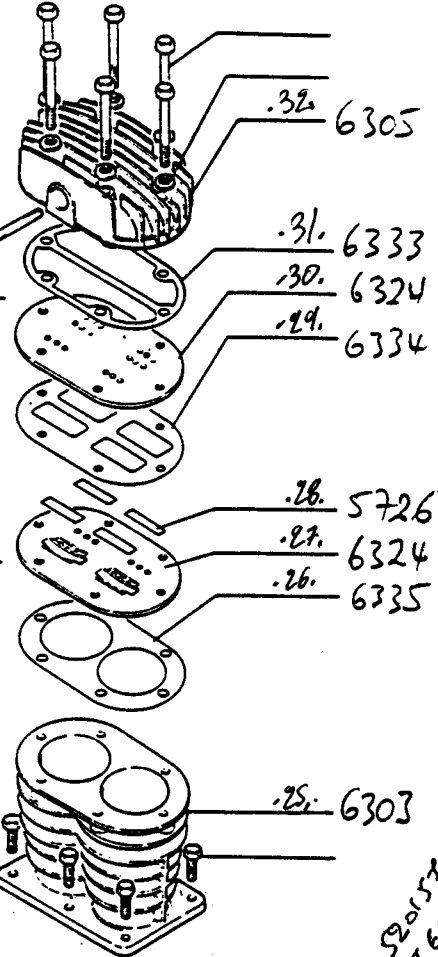
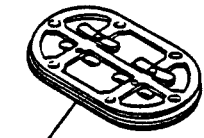


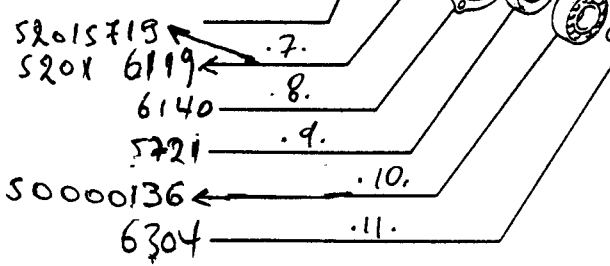
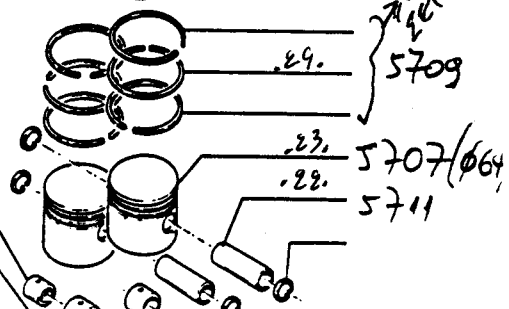
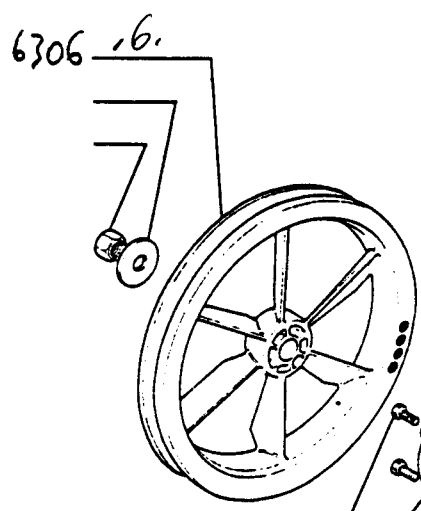
S20163074

5743  
(n/hip)

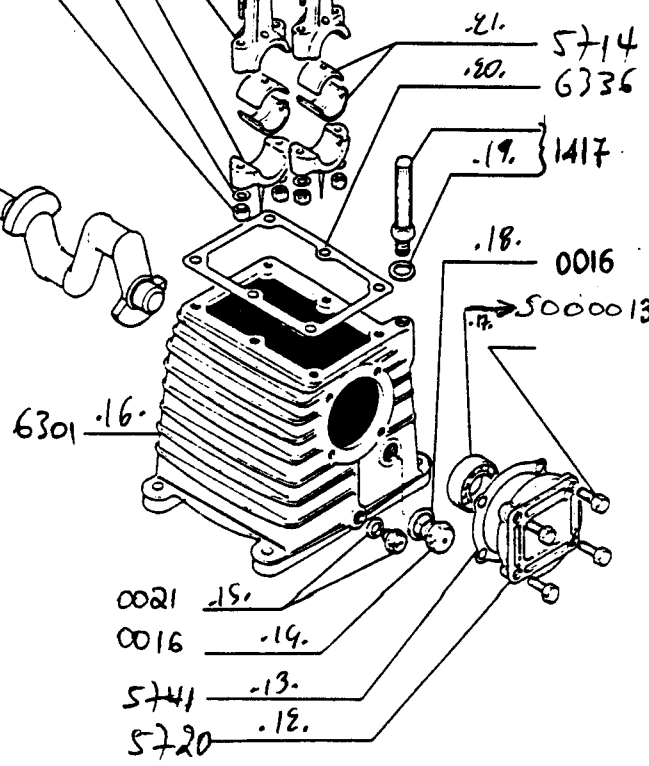
.3.  
5744



S2015754: METAL. OVERSIZE



5713



S2015750  
S2016119