

Join and tension wires in a perpendicular join to a boundary cable or bar.

FEATURES / BENEFITS

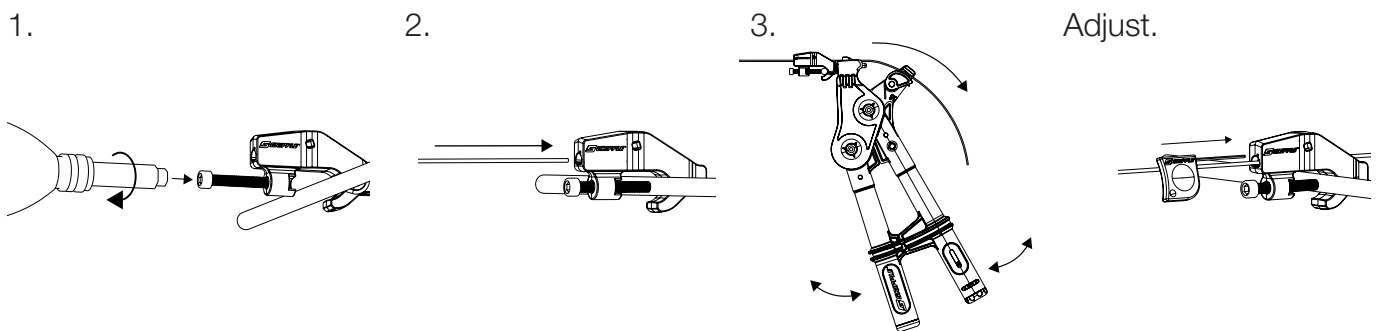
- **Fast** – join and tension in one, in under one minute
- **Light** – reduces transportation costs, easy to move and carry on site
- **Easy** – eliminates tying & knotting of T-joins and other complex joining methods
- **Strong** – 600 kg line load in case of wind lift or heavy crop weight
- **Versatile** – create overhead structures for cloth/net support, crop/down wires, or fruit canopy



SPECIFICATION

Product	Boundary Cable / Bar Range	Cross Wire Range	Max. Load
GP90	Min. Diameter - 6.0 mm	Min. Diameter - 1.8 mm	600 kg
	Max. Diameter - 16.0 mm	Max. Diameter - 4.0 mm	

INSTALLATION



TIPS

- Use a cordless drill with extended 5 mm hex drive bit to quickly install the product
- Do not apply full tension to the cross wires, to allow for additional crop load or wind lift

