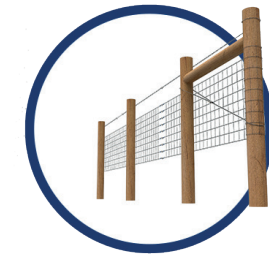




Applications



Wire Fencing

Design and Performance

Load Rating

- 150 kg / 331 lb

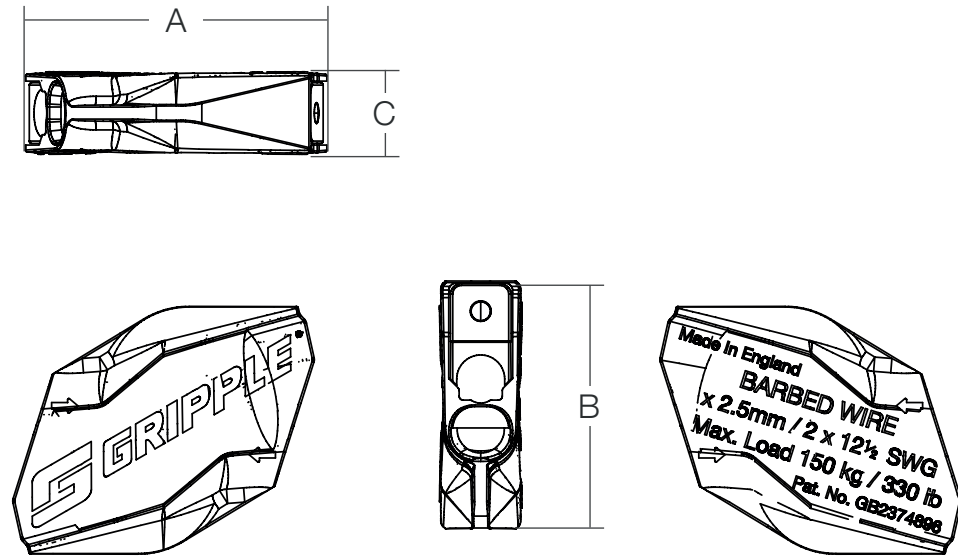
Material

- Gripper housing: Zinc (ZA2)
- Spring: Stainless Steel
- End cap: UV Stabilised PP
- Ceramic wedge: Ceramic (Sintox)

Compatibility

- Wire type: Mild steel barbed wire
- Wire range: 2 x 2.00 mm - 2.50 mm
- Standard wire gauge: 2 x 14 swg - 2 x 12½ swg

Dimensions and Weights

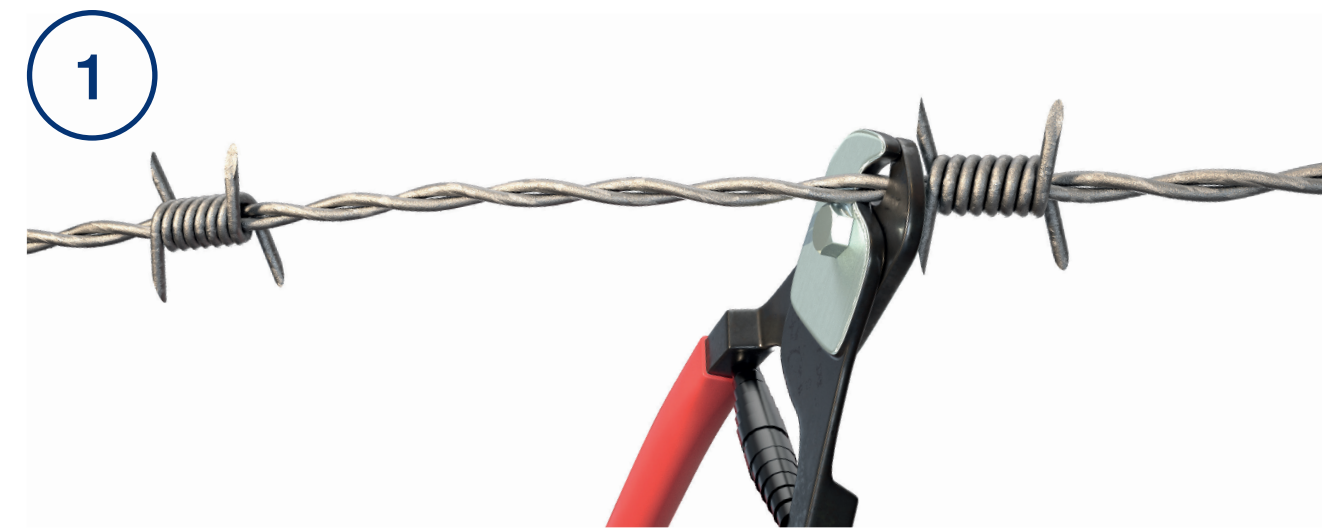


A Length	38 mm / 1.5"
B Height	31 mm / 0.8"
C Depth	10 mm / 0.39"

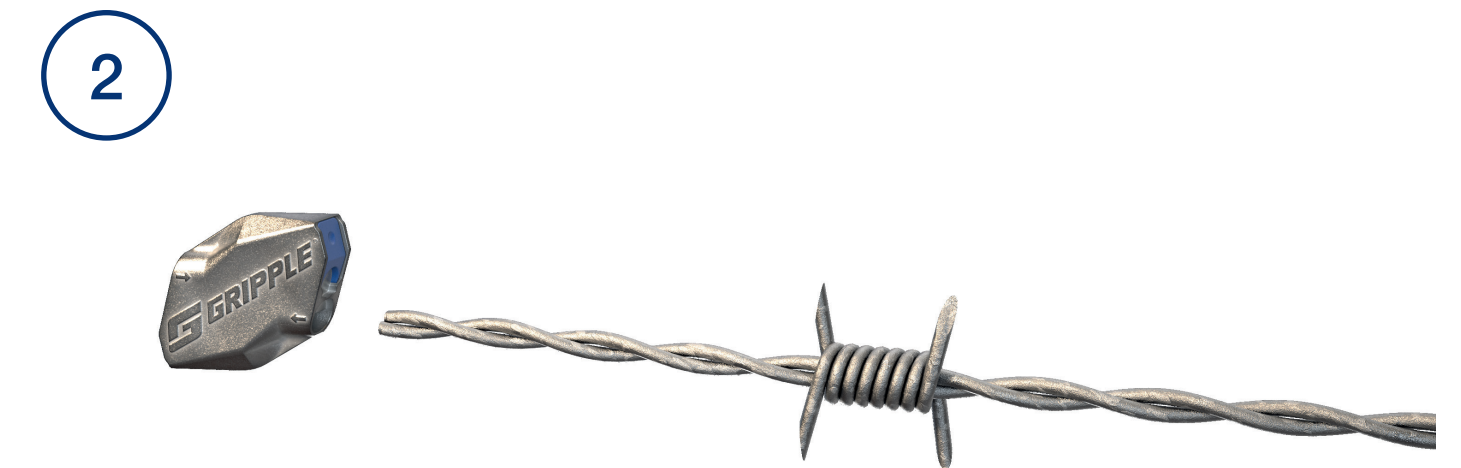
Packaging

Item weight	25 g / 0.6 lb
Package weight (bag)	0.48 kg / 1.06 lb
Bag quantity	20
Package weight (box)	4.88 kg / 10.76 lb
Box quantity	10

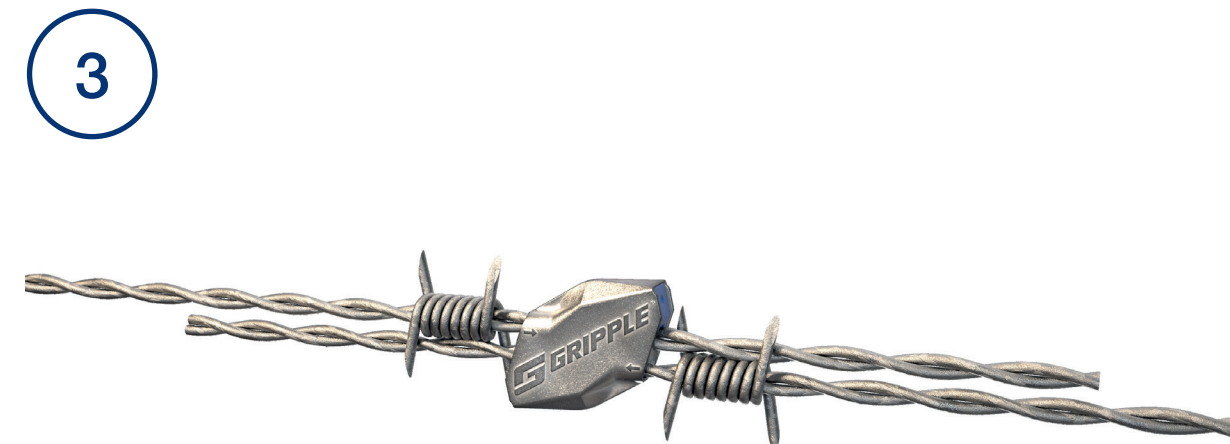
Installation



1 Cut wire at the barb, leaving at least 8 cm of wire to make the join.



2 Insert the first barbed wire into the wire joiner ensuring it is tight against the barb.



3 Insert the second wire repeating step 2.